

MODEL : LS-1340/LS-1341

List No : 1313-08

# PARTS LIST

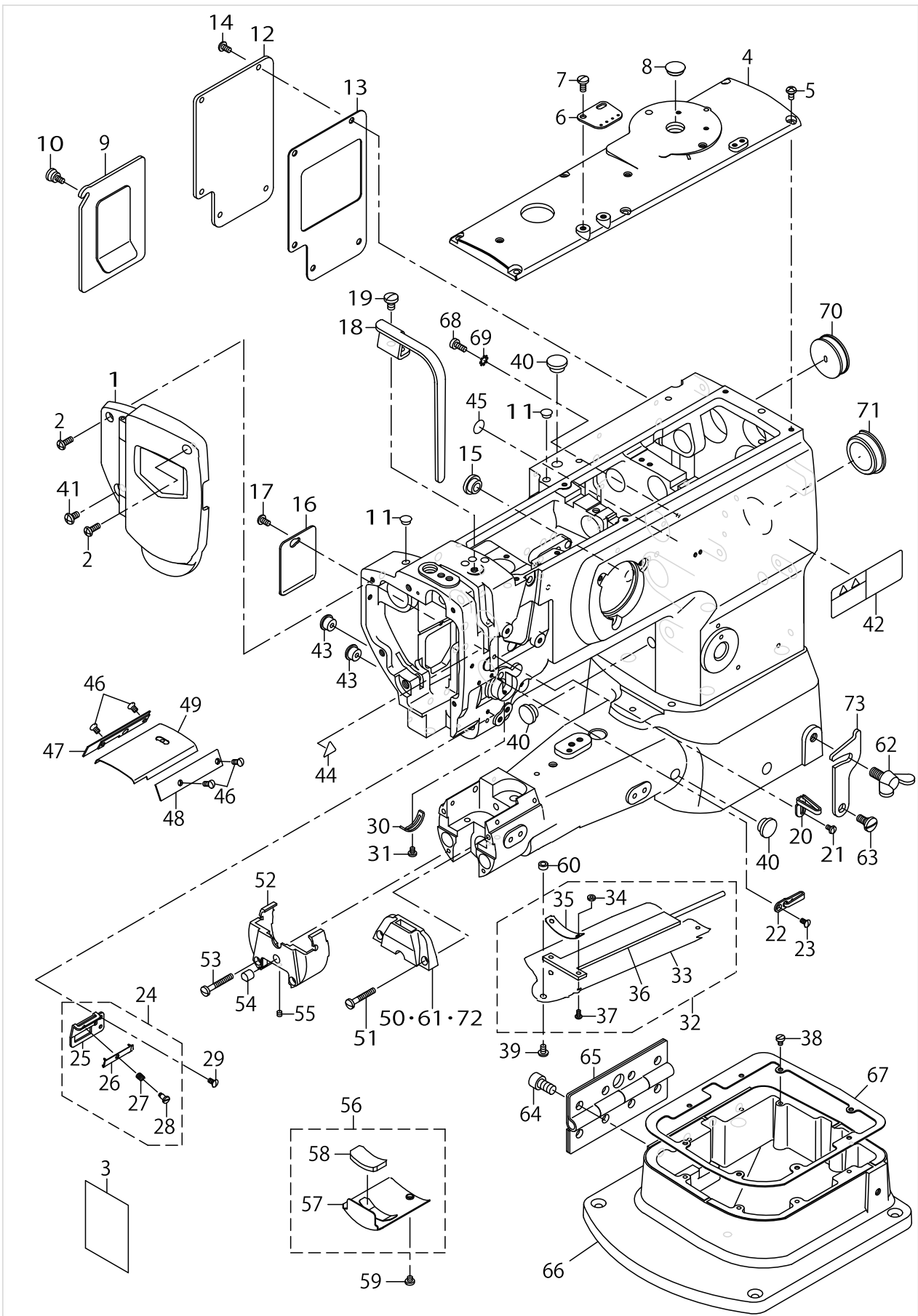
Published:05/12/2017

## CONTENTS

---

FRAME & MISCELLANEOUS COVER COMPONENTS .....	1
UPPER SHAFT DRIVING & BALANCE COMPONENTS .....	5
NEEDLE BAR ROCKING COMPONENTS .....	7
PRESSURE ADJUSTING & UPPER FEED MECHANISM COMPONENTS .....	9
FEED MECHANISM COMPONENTS.....	13
HOOK SHAFT & LOWER SHAFT COMPONENTS .....	19
THREAD TENSION COMPONENTS (FOR LS-1340).....	23
THREAD TENSION COMPONENTS (FOR LS-1341).....	25
KNEE LIFTER COMPONENTS .....	27
LUBRICATION COMPONENTS .....	29
BELT COVER & OIL RESERVOIR COMPONENTS.....	31
LOWER THREAD WINDER MECHANISM COMPONENTS .....	33
THREAD STAND COMPONENTS.....	35
GAUGE COMPONENTS (OPTIONAL PARTS) .....	37
BINDER COMPONENTS .....	39
ACCESSORIES PARTS COMPONENTS .....	41
LIST FOR INFORMATION OF CHANGE.....	43
HOW TO MAKE USE OF THIS PARTS LIST .....	44

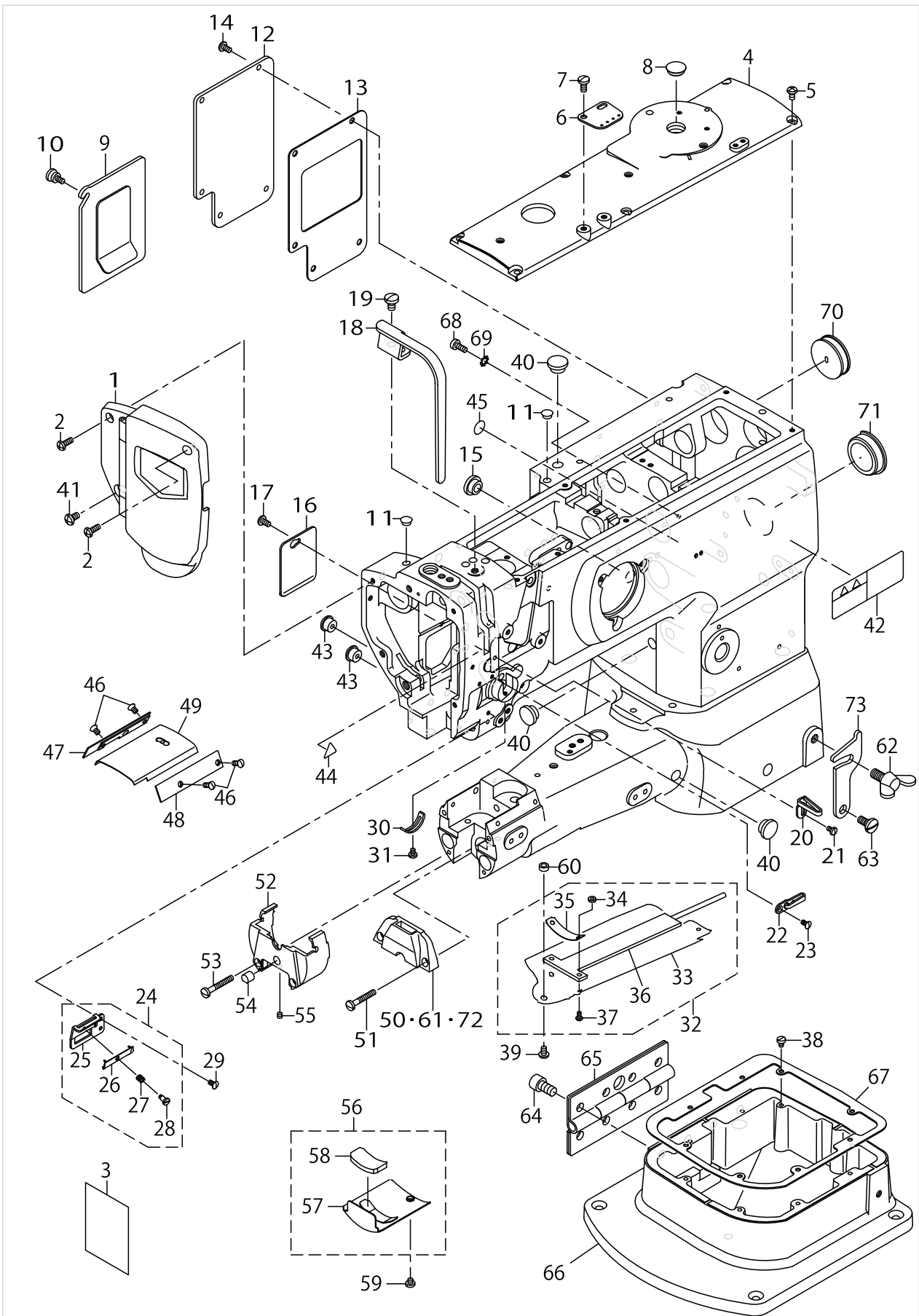
FRAME & MISCELLANEOUS COVER COMPONENTS



FRAME & MISCELLANEOUS COVER COMPONENTS

No.	Supply Code	Parts No.	Replacement	Parts name	Remarks	Choice	Step	Level	Cons	Qty	Rep. QTY
1		40016798		FACE PLATE ASM.						1	
2		SS4111215SP		SCREW11/64-40L=12						2	
3		40019114		LUBRICATION SUPPLEMENT						1	
4		21331301		TOP COVER B						1	
5		SS4110815SP		SCREW 11/64-40 L=8						6	
6		21355904		ARM THREAD GUIDE						1	
7		SS7621040SP		SCREW 3/16-32L=9.5						2	
8		TA1450404R0		RUBBER PLUG D=14.5 L=4						1	
9		21331756		WINDOW PLATE A ASM.						1	
10		21331202		SETSCREW						1	
11		TA0750404R0		PLUG D=7.5 L=3.5						2	
12		21331806		WINDOW PLATE B						1	
13		21332002		WINDOW PLATE PACKING B						1	
14		SS4110815SP		SCREW 11/64-40 L=8						5	
15		TA1250504R0		RUBBER PLUG						2	
16		21332309		SIDE COVER						1	
17		SS4110815SP		SCREW 11/64-40 L=8						1	
18		21331608		BALANCE COVER						1	
19		SS7150910TP		SCREW 15/64-28 L=9						1	
20		40108674		THREAD GUIDE						1	
21		SS5090610SP		SCREW 9/64-40 L=6						1	
22		22603112		THREAD GUIDE						1	
23		SS2090710TP		SCREW 9/64-40 L=7.2						1	
24		40039838		THREAD GUIDE ASM.						1	
25		40039839		THREAD GUIDE PLATE				*		1	
26		17912106		NEEDLE THREAD PRESSER PLATE				*		1	
27		B1132521000		THREAD PRESSER PLATE SPRING				*		1	
28		SD0380551SL		HINGE SCREW D= 3.80 H= 5.5				*		1	
29		SS2090710TP		SCREW 9/64-40 L=7.2						1	
30		B3138512000		TAKE-UP SPRING A-DJUSTING PLATE						1	
31		SS7090520TP		SCREW 9/64-40L=4.5						1	
32		21426754		SYLINDER COVER ASM.						1	
33		21426705		SYLINDER COVER				*		1	
34		NM6030003SC		NUT M3				*		2	
35		21426903		FELT PRESSER PLATE				*		1	
36		21426853		SYLINDER COVER FELT ASM.				*		1	
37		SM4030601SC		SCREW M3 X 6				*		2	
38		TA0550604R0		RUBBER PLUG						1	
39		SS5110710SP		SCREW 11/64-40 L=7						1	
40		TA1250504R0		RUBBER PLUG						3	
41		SS4150915SP		SCREW 15/64-28 L=9						1	
42		CM301300001		SAFETY LABEL						1	
43		TA1100604R0		PLUG						2	
44		CM300200001		ATTENTION SEAL						1	
45		22901805		GROUND MARK						1	
46		SS2090520SL		SCREW 9/64-40 L=5						4	

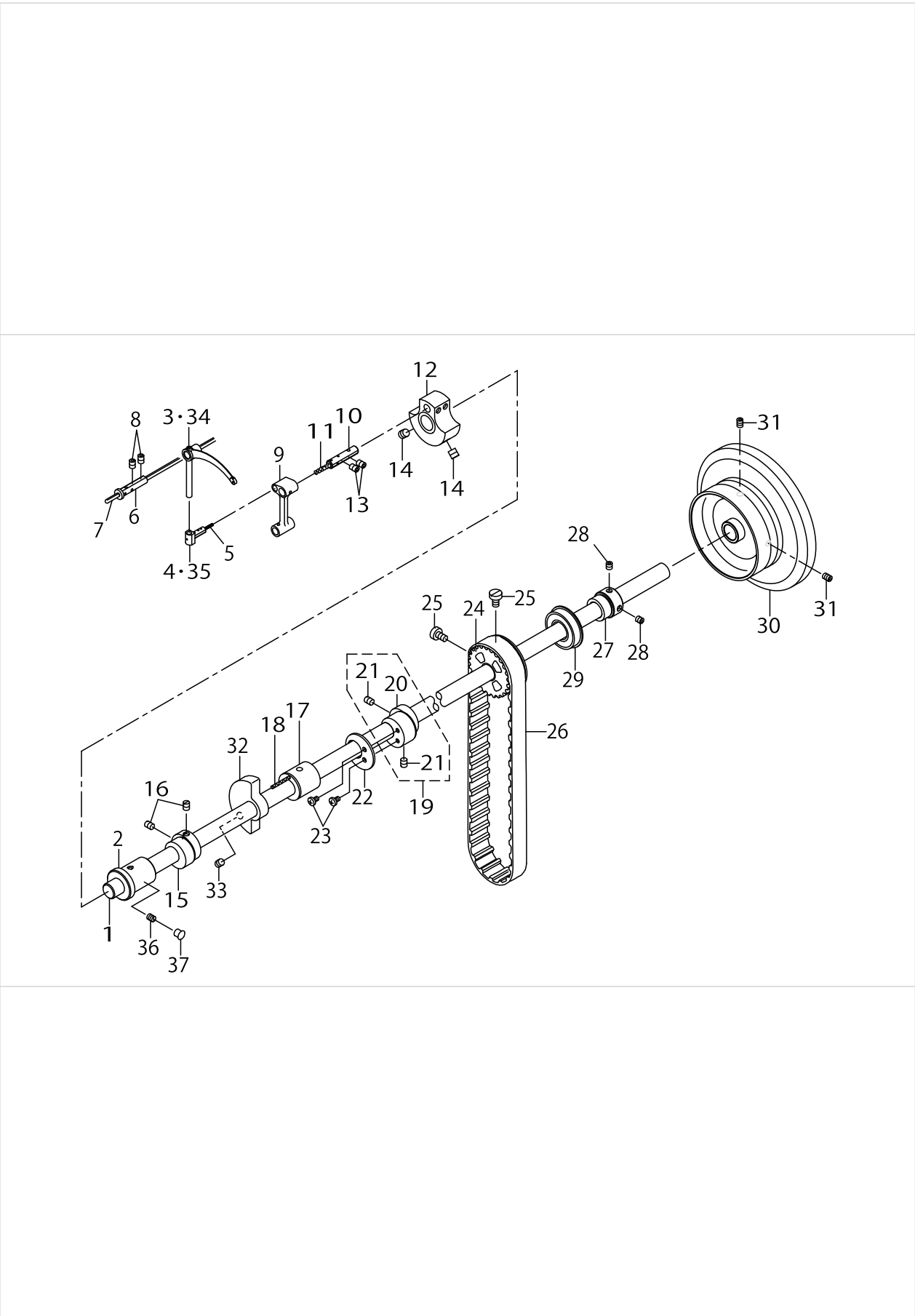
FRAME & MISCELLANEOUS COVER COMPONENTS



FRAME & MISCELLANEOUS COVER COMPONENTS

No.	Supply Code	Parts No.	Replacement	Parts name	Remarks	Choice	Step	Level	Cons	Qty	Rep. QTY
47		21426606		BED SLIDE SIDE PLATE , LEFT						1	
48		23100506		BED SLIDE SIDE PLATE , RIGHT						1	
49		21220413		BED PLATE						1	
50		21221908		THOAT PLATE	OPTIONAL PARTS (F-ORLS-1341)					1	
51		SS7112810SP		SCREW11/64-40L=28						2	
52		40090318		THROATPLATEBASE						1	
53		SS7113110SP		SCREW 1/64-40 L=30						2	
54		40090323		FEEDBASESUPPORT						1	
55		SM8040402TP		SCREW M4X0.7 L=4						1	
56		40094671		THROAT PLATE BASE COVER ASM.						1	
57		40094670		THROAT PLATE BASE COVER COMPL.				*		1	
58		40095001		THROAT PLATE BASE COVER FELT				*		1	
59		SS7110410SP		SCREW 11/64-40 L=4						1	
60		B3013141H0B		WASHER						1	
61		40092676		THOAT PLATE	FOR LS-1341					1	
62		B1116246000		WING BOLT						1	
63		SD0800352SP		HINGE SCREW D= 8 H= 3.5						1	
64		SM6081552TP		SCREW M8 L=15						8	
65		21426507		HINGE						1	
66		21426309		BED HOLDING BASE						1	
67		21426408		BED HOLDING BASE PACKING						1	
68		SS6111140SP		SCREW11/64-40L=11						1	
69		WT0530002KS		TOOTHED WASHER D=5.3						1	
70		10201200		RUBBER PLUG						1	
71		22619100		CAP						1	
72		B1105340000		THROAT PLATE	FOR LS-1340					1	
73		B1117246000		HOOK						1	

UPPER SHAFT DRIVING & BALANCE COMPONENTS

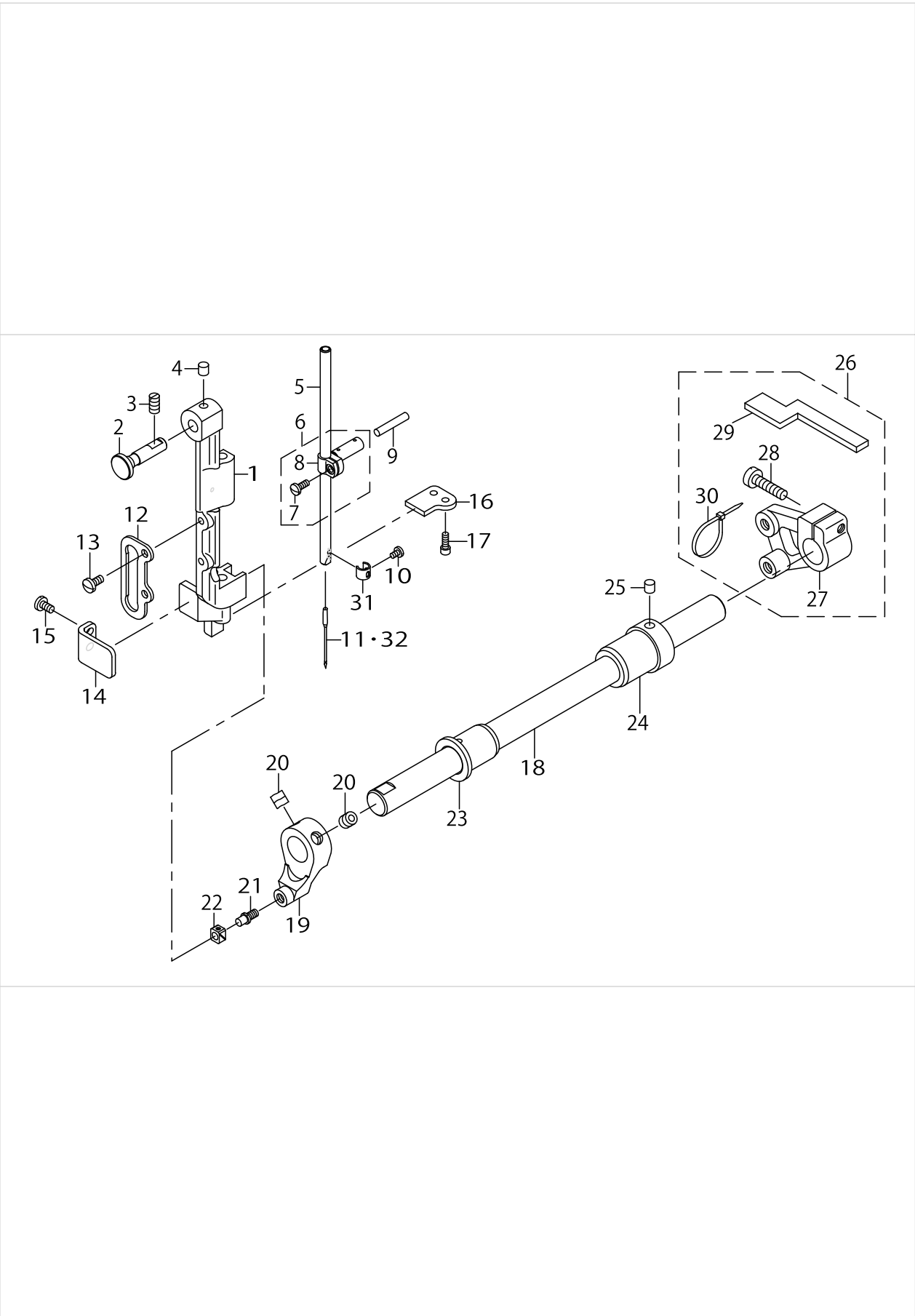


UPPER SHAFT DRIVING & BALANCE COMPONENTS

No.	Supply Code	Parts No.	Replacement	Parts name	Remarks	Choice	Step	Level	Cons	Qty	Rep. QTY
1		21332705		UPPER SHAFT						1	
2		21333000		UPPER SHAFT FRONT METAL						1	
3		21402102		THREAD TAKE-UP LEVER	FOR LS-1341					1	
4		22605406		TAKE-UP LEVER THRUST PIN	FOR LS-1341					1	
5		CQ202000000		OIL WICK						.03	
6		B1906051000		TAKE-UP LEVER PIN						1	
7		CQ303000000		OIL WICK						.2	
8		SS8150822TP		SCREW 15/64-28 L=8						2	
9		21339106		NEEDLE BAR CRANK ROD						1	
10		B1210051000		NEEDLE BAR CRANK PIN						1	
11		CQ505000000		OIL WICK						.03	
12		21332507		COUNTER WEIGHT (A) (36MM)						1	
13		SS8150822TP		SCREW 15/64-28 L=8						2	
14		SM8080812TP		SCREW M8X8						2	
15	R	21339502	21339551	UPPERFEEDCAM(3.5)						1	1.00
16		SS8660810TP		SCREW 1/4-40 L=8						2	
17		21333109		UPPER SHAFT INNER METAL						1	
18		CQ202000000		OIL WICK						.25	
19		21336557		ECCENTRIC CAM A ASM.						1	
20	R	21336508	21336557	ECCENTRIC CAM A				*		1	1.00
21		SS8660810TP		SCREW 1/4-40 L=8				*		2	
22		21353008		HORIZONTAL FEED CAM COVER						1	
23		SS7110710SP		SCREW 11/64-40 L=7						2	
24		22604904		UPPER SPROCKET						1	
25		SS6661110SP		SCREW 1/4-40 L=11						2	
26		21427109		TIMING BELT						1	
27		21402300		UPPER SHAFT BEARING HOOK						1	
28		SM8060602TP		SCREW M6X6						2	
29		B1203512000		BUSHING, REAR						1	
30		21334008		FLYWHEEL						1	
31		SS8150822TP		SCREW 15/64-28 L=8						2	
32		21333406		BALANCER						1	
33		SS8151550SP		SCREW 15/64-28 L=15						2	
34		B1905053000		THREAD TAKE-UP	FOR LS-1340					1	
35		B1907051000		TAKE-UP LEVER THRUST PIN	FOR LS-1340					1	
36		SS8150710TP		SCREW 15/64-28 L=7						1	
37		TA0750704R0		RUBBER PLUG						1	



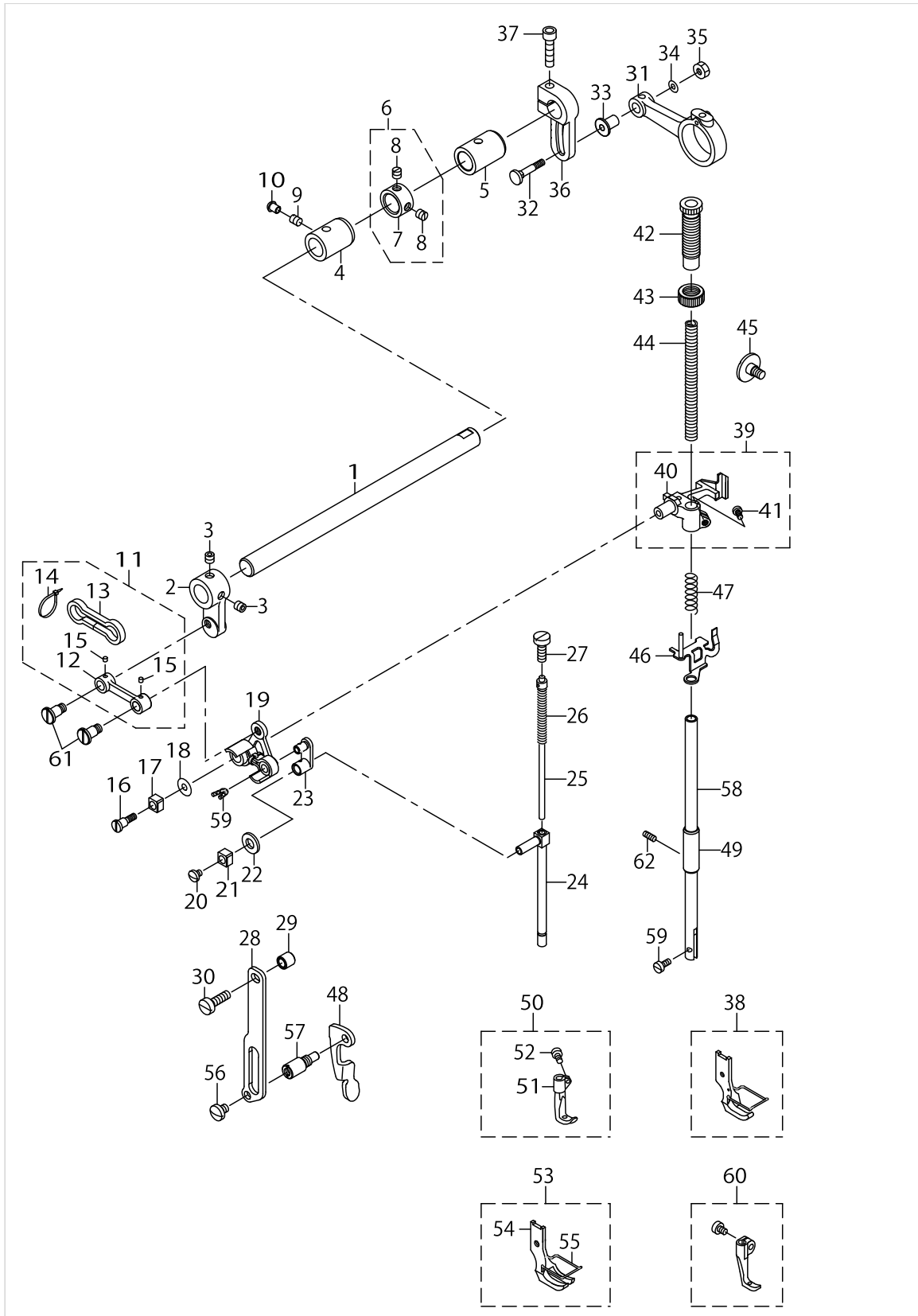
NEEDLE BAR ROCKING COMPONENTS



NEEDLE BAR ROCKING COMPONENTS

No.	Supply Code	Parts No.	Replacement	Parts name	Remarks	Choice	Step	Level	Cons	Qty	Rep. QTY
1		B1420563000		NEEDLE BAR FRAME						1	
2		21405204		HINGE STUD						1	
3		SS8151150TP		SCREW 15/64-28 L=10.5						1	
4		22814909		FELT						1	
5		40092246		NEEDLE BAR						1	
6		B14110530A0		NEEDLE BAR CONNECTION ASM.						1	
7	R	SS7090910SP	SS7090910TP	SCREW 9/64-40 L= 8.5				*		1	1.00
8	D	B1411053000		NEEDLE BAR CONNECTION				*		1	
9		B1412051000		FELT						1	
10		SS7080510TP		SCREW 1/8-44 L=4.5						1	
11		M13517B1600		NEEDLE 135X17 #160	FOR LS-1341					1	
12		B1467563000		UPPER FEED BAR GUIDE						1	
13		SS7110910TP		SCREW 11/64-40 L= 8.5						2	
14		21338702		ROCKING BASE GUIDE						1	
15		SS7110830SP		SCREW 11/64-40 L= 7.5						2	
16		21338603		ROCKING BASE GUIDE (B)						1	
17		SS6091022TP		SCREW						2	
18		21338900		ROCKING SHAFT						1	
19		21338801		ROCKINGFRONTARM						1	
20		SM8080802TP		SCREW						2	
21		B1410771000		STUD						1	
22		B1414232000		SQUARE BLOCK						1	
23		21339304		ROCKING SHAFT FRONT METAL						1	
24		40027746		BUSHING REAR						1	
25		22814909		FELT						1	
26		21430053		ROCKING REAR ARM ASM.						1	
27		21430004		ROCKING REAR ARM				*		1	
28		SS6152440SP		SCREW 15/64-28 L=23.5				*		1	
29		21430103		ROCKING REAR ARM FELT				*		1	
30		EA9500B0100		CABLE BAND				*		2	
31		21338504		NEEDLE BAR THREAD RACK						1	
32		M13517B1400		NEEDLE 135X17 #140	FOR LS-1340					1	

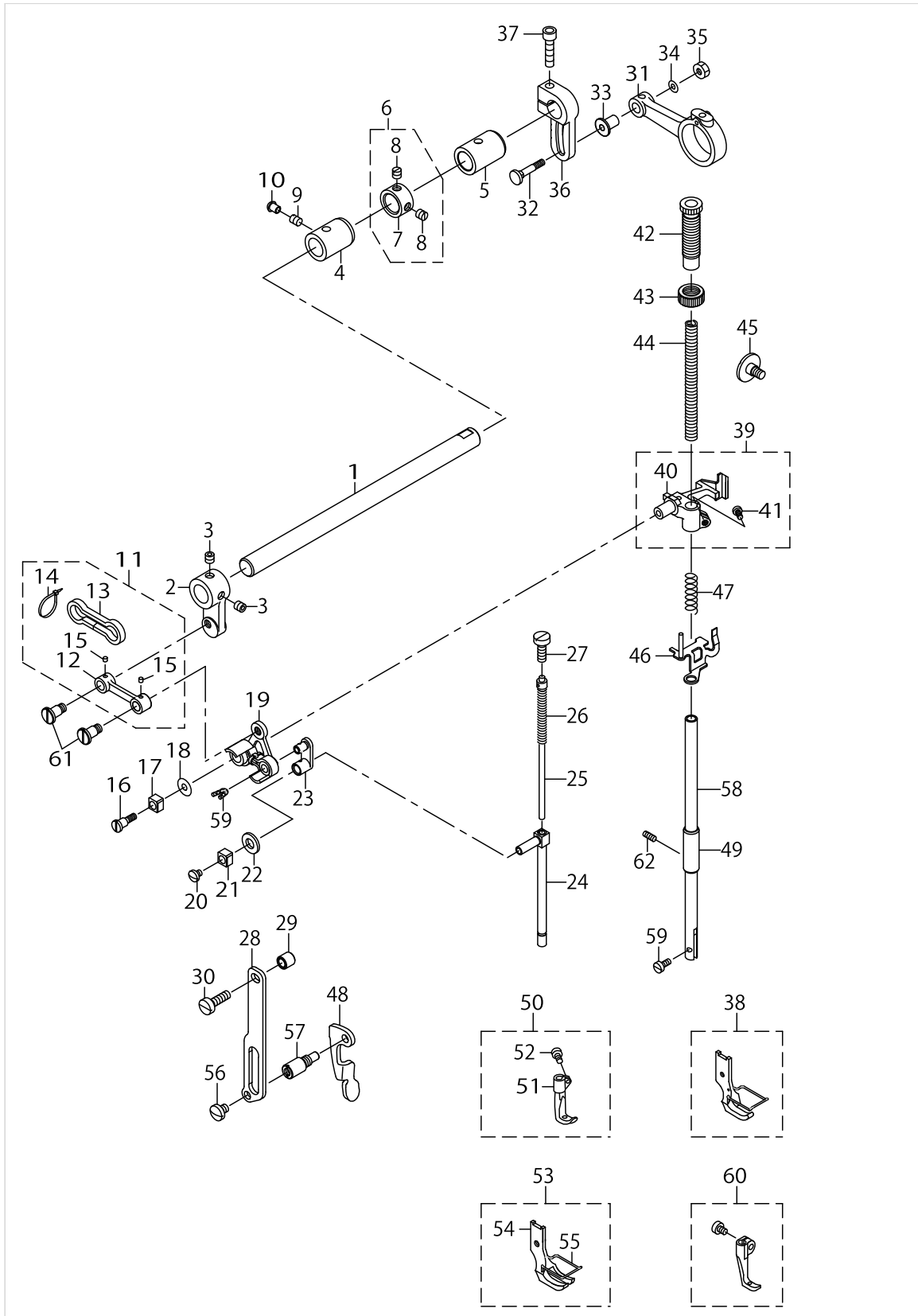
PRESSURE ADJUSTING & UPPER FEED MECHANISM COMPONENTS



PRESSURE ADJUSTING & UPPER FEED MECHANISM COMPONENTS

No.	Supply Code	Parts No.	Replacement	Parts name	Remarks	Choice	Step	Level	Cons	Qty	Rep. QTY
1		21340401		UPPER FEED SHAFT						1	
2		21340500		UPPER FEED FRONT ARM						1	
3		SS8660612TP		SCREW 1/4-40 L=6						2	
4		40039326		FRONT METAL						1	
5		21378302		FEED SHAFT METAL						1	
6		22904155		MAIN SHAFT THRU-ST COLLAR ASM.						1	
7	R	22904106	22904155	MAIN SHAFT THRUST COLLAR				*		1	1.00
8		SS8660610TP		SCREW 1/4-40 L=6				*		2	
9	R	SS8150710SP	SS8150710TP	SCREW 15/64-28 L=7						1	1.00
10		TA0550604R0		RUBBER PLUG						1	
11		40033027		UPPER FEED LINK ASM.						1	
12		40033026		UPPER FEED LINK				*		1	
13		21347109		FELT				*		1	
14		EA9500B0000		CLIP CV-70S				*		2	
15		CQ300000F0		OIL FELT				*		2	
16		40018339		SCREW						1	
17		B1414555000		SLIDE BLOCK						1	
18		WP0501046SC		WASHER 5 X 13 X 1						1	
19		40033029		TRIANGULAR LEVER ASM.						1	
20		SS7110510SP		SCREW 11/64-40 L=5						1	
21		B1414555000		SLIDE BLOCK						1	
22		10509701		FELT						1	
23		40018341		WALKING BAR DRIVING LINK						1	
24		40033030		WALKING BAR A						1	
25		B14670530A0		WALKING BAR ASM.						1	
26		B1468053000		WALKING BAR SPRING						1	
27		SS6151780SP		SCREW 15/64-28 L=17.0						1	
28		21406509		UPPER FEED GUIDE PLATE						1	
29		26225201		ROLLER						1	
30		SS6151920SP		SCREW 15/64-28 L=19.0						1	
31		21340104		UPPER FEED ROD						1	
32		D1456055B00		HINGE SCREW						1	
33		D1455055B00		CONNECTING STUD						1	
34		WP0482086SD		WASHER 4.8X11.5X2						1	
35		NS6110530SP		NUT 11/64-40						1	
36		21437900		UPPER FEED REAR ARM						1	
37		SM6062502TP		SCREW M6 L=25						1	
38		B1525563DA0		PRESSER FOOT ASM.	FOR LS-1340					1	
39		40033032		PRESSER BAR HOLDER A ASM.						1	
40		40033031		PRESSER BAR HOLDER A				*		1	
41		SS7110910TP		SCREW 11/64-40 L= 8.5				*		1	
42		21340906		PRESSER ADJUSTING SCREW						1	
43	R	22907604	22907554	PRESSER SPRING REGULATOR NUT						1	1.00
44		B1502246000		PRESSER SPRING						1	
45		SD0800481SP		HINGE SCREW D= 8 H= 4.9						1	

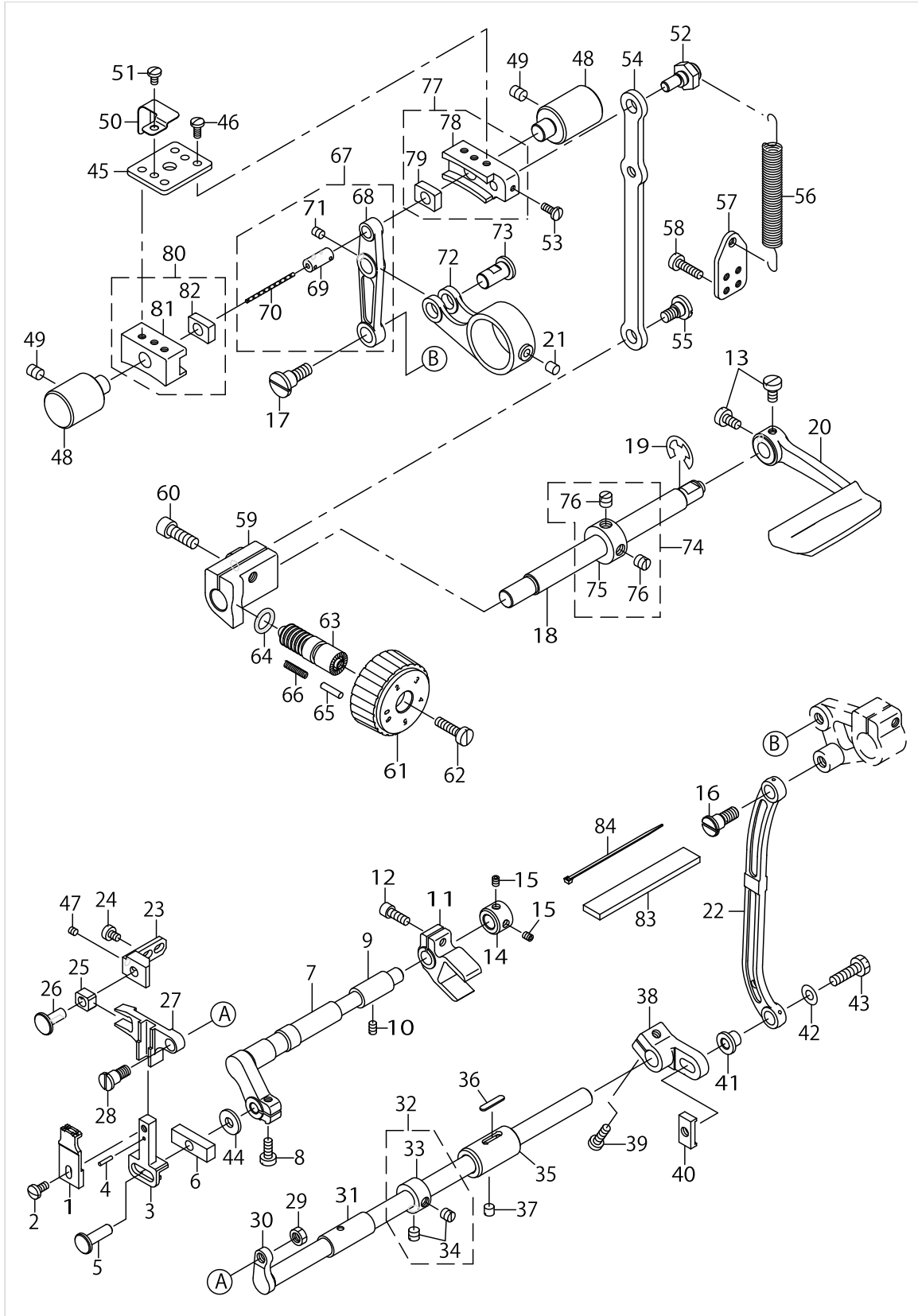
PRESSURE ADJUSTING & UPPER FEED MECHANISM COMPONENTS



PRESSURE ADJUSTING & UPPER FEED MECHANISM COMPONENTS

No.	Supply Code	Parts No.	Replacement	Parts name	Remarks	Choice	Step	Level	Cons	Qty	Rep. QTY
46		21341151		THREAD RELEASE HOLDING PLATE						1	
47		B1462053000		THREAD RELEASE SPRING						1	
48		21406103		PRESSER LIFTER LEVER						1	
49		B1510155000		PRESSER BAR LOWER BUSHING						1	
50		B1470241HA0		WALKING FOOT ASM.	FOR LS-1341					1	
51	R	B1470241H00	B1470241HA0	WALKING FOOT				*		1	1.00
52		B1471241H00		SCREW				*		1	
53		B1525241HA0		PRESSER FOOT ASM.	FOR LS-1341					1	
54	R	B1525241H00	B1525241HA0	PRESSER FOOT				*		1	1.00
55		10337905		FINGER GUARD				*		1	
56		SS7150740SP		SCREW 15/64-28 L=7						1	
57		21406608		GUIDE PLATE SPACER						1	
58		B1501241H00		PRESSER BAR						1	
59		SS6090910TP		SCREW 9/64-40 L=9						1	
60		B14700530A0		WALKING FOOT ASM.	FOR LS-1340					1	
61		40018340		SCREW						2	
62		SS8111010TP		SCREW 11/64-40 L=9.5						1	

# FEED MECHANISM COMPONENTS

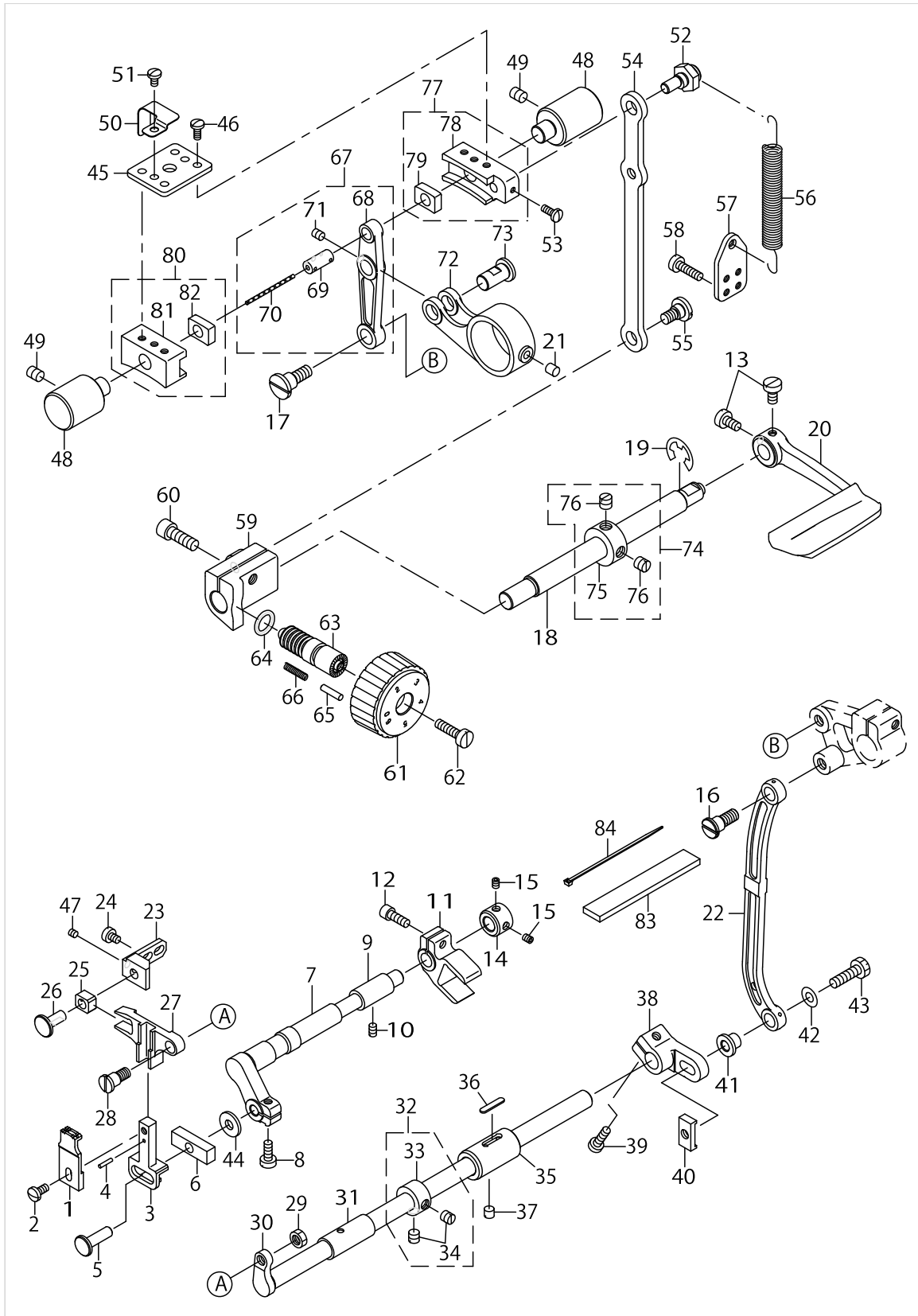


FEED MECHANISM COMPONENTS

No.	Supply Code	Parts No.	Replacement	Parts name	Remarks	Choice	Step	Level	Cons	Qty	Rep. QTY
1		21435003		FEED DOG						1	
2		SS7110840SP		SCREW 11/64-40 L=7.8						1	
3		40091243		FEED BASE						1	
4		PS0200102KH		SPRING PIN 2.0 X 10						1	
5		40091250		FEED BASE PIN						1	
6		40091254		FEED BASE SQUARE BLOCK						1	
7		21429006		VERTICAL FEED SHAFT						1	
8		SS6121220TP		SCREW 3/16-28 L=11.5						1	
9		40091315		VERTICAL FEED SHAFT METAL						1	
10		SS8110710SP		SCREW 11/64-40 L=6.5						1	
11		21429808		VERTICAL FEED BRANCH						1	
12		SM6051402TP		SCREW M5X0.8 L=14						1	
13		SS6120930TP		SCREW 3/16-28 L=9						2	
14		21429709		VERTICAL FEED THRUST COLLAR						1	
15		SM8050402TP		SCREW						2	
16		SD0900701TP		HINGE SCREW D= 9 H= 7						1	
17		SD1000801SH		HINGE SCREW D=10 H=8						1	
18		21336300		BACKWARD FEED LEVER SHAFT						1	
19		RE0900000K0		E-RING 9						1	
20		21388004		REVERSE FEED ROCK SHAFT						1	
21		21387402		HORIZONTAL FEED ROD OIL FELT						1	
22		10205201		NEEDLE BAR FRAME ROD						1	
23		40091248		HORIZONTAL FEED BASE SUPPORT						1	
24		SS6110610TP		SCREW 11/64-40 L=6						2	
25		40091244		SQUARE BLOCK						1	
26		40091245		HORIZONTAL FEED BASE SUPPORT PIN						1	
27		40091242		HORIZONTAL FEED BASE						1	
28		SD0790701SP		HINGE SCREW D=7.94 H=7						1	
29		NS6660430SP		NUT 1/4-40						1	
30		21427604		HORIZONTAL FEED SHAFT						1	
31		B1607246000		BUSHING, FRONT						1	
32		CS111101CSH		THRUST COLLAR A- SM.D=11.11 W=10						1	
33		CS1111019SH		THRUST COLLAR D=11.11 W=10				*		1	
34		SS8660610TP		SCREW 1/4-40 L=6				*		2	
35		21427703		HORIZONTAL FEED SHAFT D						1	
36		B1806038000		OIL FELT						1	
37		SS8150510TP		SCREW 15/64-28 L= 4.7						1	
38		21428305		HORIZONTAL FEED ARM						1	
39		SS6121610TP		SCREW 3/16-28 L=15.5						1	
40		21428503		HORIZONTAL FEED ARM STOPPER						1	
41		21428404		HORIZONTAL FEED ARM ROD						1	
42		WP0621016SH		WASHER						1	
43		SS9152130CP		SCREW 15/64-28 L=20.5						1	
44		40090727		WASHER						1	
45		21407408		FITTING PLATE						2	



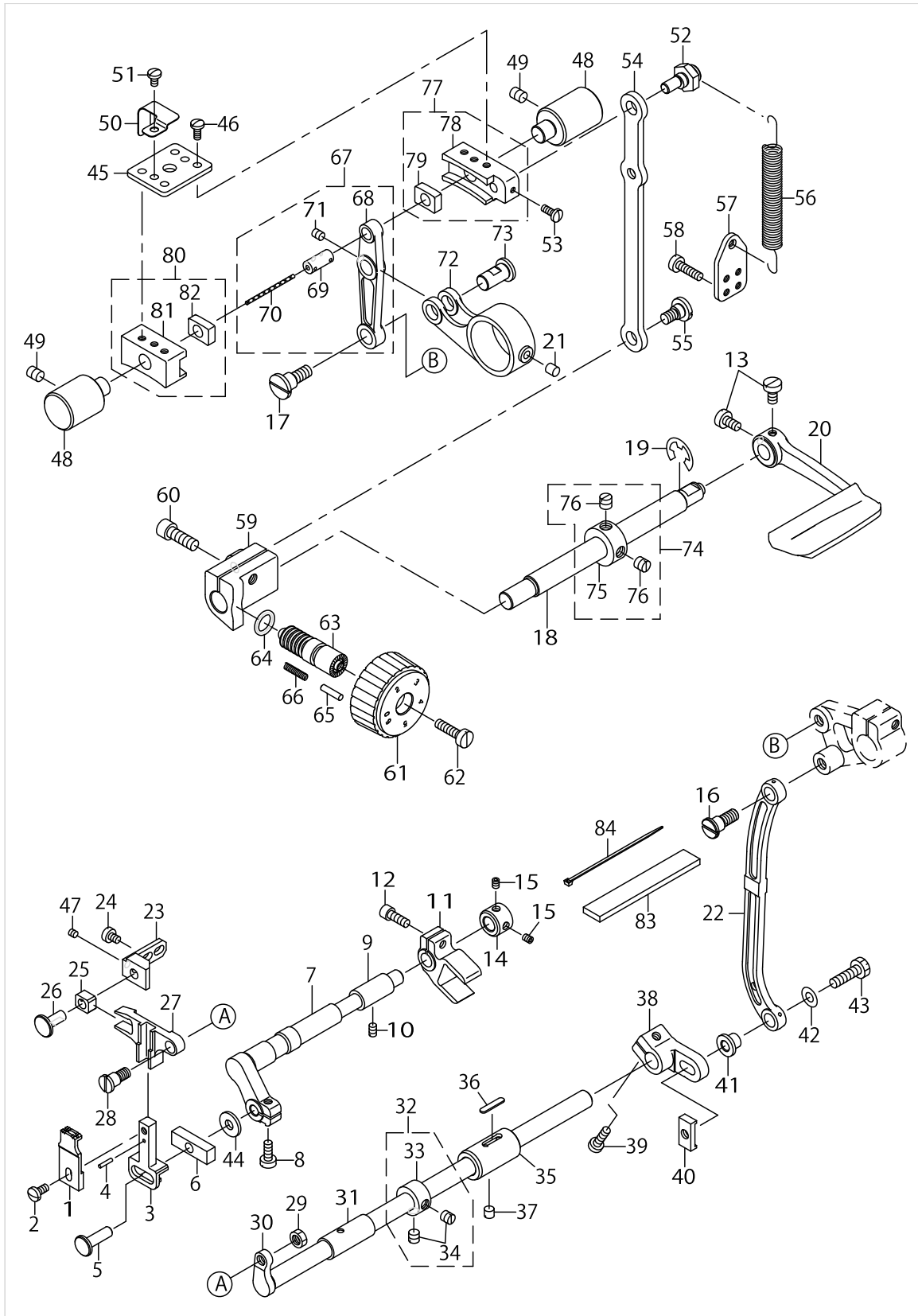
FEED MECHANISM COMPONENTS



FEED MECHANISM COMPONENTS

No.	Supply Code	Parts No.	Replacement	Parts name	Remarks	Choice	Step	Level	Cons	Qty	Rep. QTY
46		SS7110910TP		SCREW 11/64-40 L= 8.5						4	
47		SS8110422TP		SCREW 11/64-40 L=4						2	
48		21337803		FEED ADJUSTING BASE SUPPORT						2	
49		SS8150822TP		SCREW 15/64-28 L=8						2	
50		40038712		FELT HOLDER						1	
51		SS7110710SP		SCREW 11/64-40 L=7						2	
52		21337902		ECCENTRIC PIN						1	
53		SS7090910TP		SCREW 9/64-40 L=8.5						2	
54		21337308		FEED ADJUSTING ROD						1	
55		SD0800402TP		HINGE SCREW D= 8 H=4						1	
56		21337605		SPRING						1	
57		40019926		SPRING HOOK						1	
58		SS6111610SP		SCREW 11/64-40 L=16						2	
59		21430202		FEED ADJUSTING						1	
60		SM6061802TP		SCREW M6 L=18						1	
61		21430301		FEED ADJUSTING DIAL						1	
62		SS6121860SP		SCREW 3/16-28 L=18						1	
63		22911804		FEED REGULATOR SCREW						1	
64		RO092270200		RUBBER RING						1	
65		22912000		FEED REGULATOR PIN						1	
66		22912109		FEED REGULATOR PIN SPRING						1	
67		21336656		FEED LINK ASM.						1	
68		21336607		FEED LINK				*		1	
69	R	B1418761000	40009103	CONNECTING FORKED LINK PIN				*		1	1.00
70		CQ202000000		OIL WICK				*		0.04	
71		SM8050612TP		SCREW M5X6				*		1	
72		21336706		FEED ROD A						1	
73	R	21338207	21378906	FEED LINK PIN						1	1.00
74		CS1201010SH		THRUST COLLAR ASM. D=12 W=10						1	
75		CS1201011SH		THRUST COLLAR D=12 W=10				*		1	
76		SS8660610TP		SCREW 1/4-40 L=6				*		2	
77		40081970		FEED ADJUSTING BASE						1	
78	R	21407200	40081970	FEED ADJUSTING BASE				*		1	1.00
79	R	21407309	40081969	SQUARE BLOCK		A	40038711 送り調節体- B/40038711 FEED ADJ- USTING BASE B	*		1	1.00
79	R	21407309	40081970	SQUARE BLOCK		B	21407200 送り調節/2- 1407200 F- EED ADJU- STING BASE	*		1	1.00
80		40081969		FEED ADJUSTING BASE B SET						1	
81	R	40038711	40081969	FEED ADJUSTING BASE B				*		1	1.00
82	R	21407309	40081969	SQUARE BLOCK		A	40038711 送り調節体- B/40038711 FEED ADJ- USTING BASE B	*		1	1.00

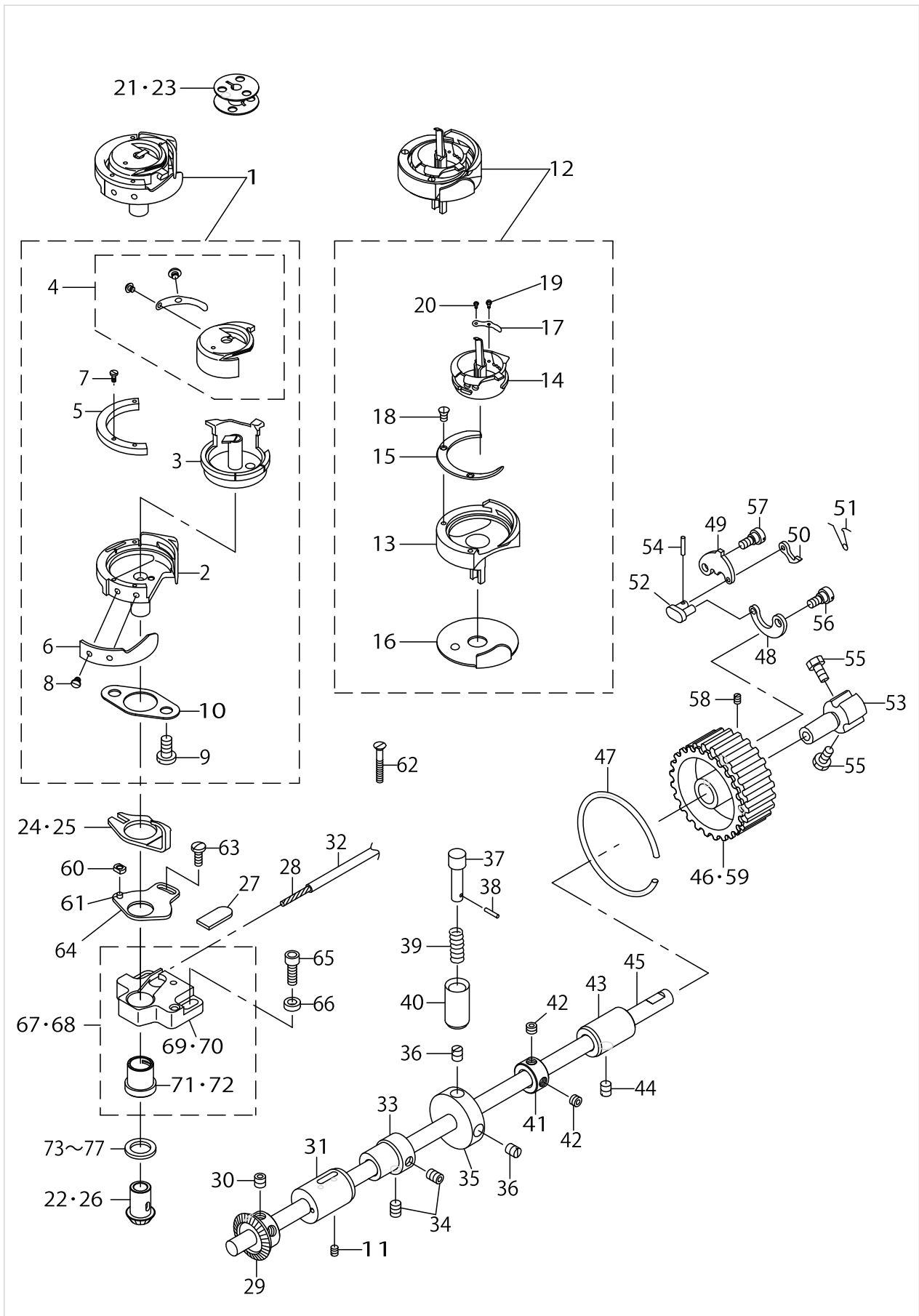
FEED MECHANISM COMPONENTS



FEED MECHANISM COMPONENTS

No.	Supply Code	Parts No.	Replacement	Parts name	Remarks	Choice	Step	Level	Cons	Qty	Rep. QTY
82	R	21407309	40081970	SQUARE BLOCK		B	21407200 送り調節/2- 1407200 F- EED ADJU- STING BASE	*		1	1.00
83		40019128		VERTICAL FEED BRANCH FELT						1	
84		EA9500B0100		CABLE BAND						2	

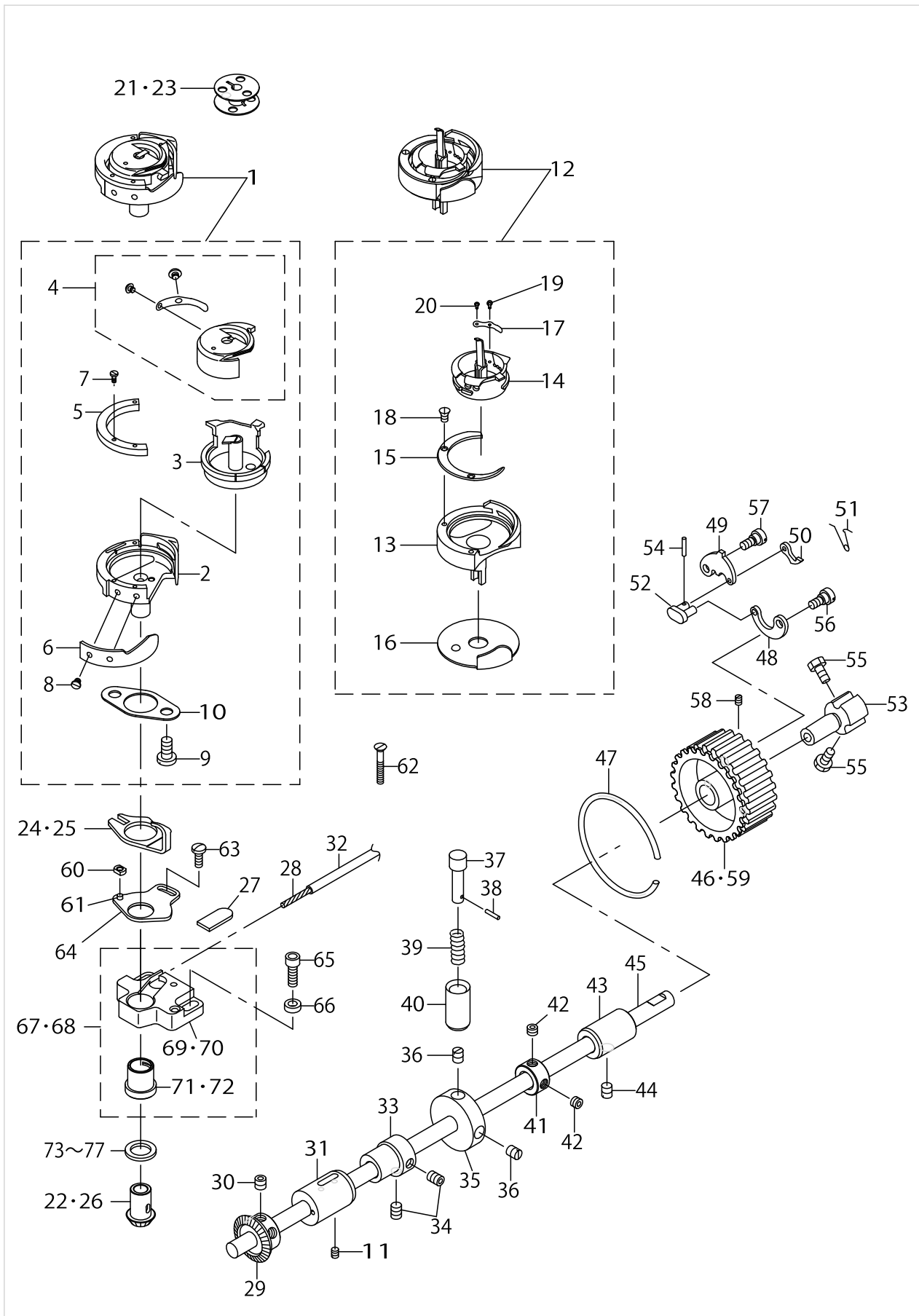
HOOK SHAFT & LOWER SHAFT COMPONENTS



HOOK SHAFT & LOWER SHAFT COMPONENTS

No.	Supply Code	Parts No.	Replacement	Parts name	Remarks	Choice	Step	Level	Cons	Qty	Rep. QTY
1		21229752		HOOK ASM.	FOR LS-1341					1	
2	R	21229703	21229752	HOOK				*		1	1.00
3		21228101		INNER HOOK				*		1	
4		21229307		CAP				*		1	
5	D	21228200		INNER HOOK PRESSER				*		1	
6		21229802		NEEDLE GUARD				*		1	
7		21228903		SCREW FOR INNER HOOK PRESSER				*		3	
8		21229901		SCREW				*		2	
9		21229208		BACK PLATE SETSCREW				*		2	
10	R	21229406	21229752	BACK PLATE				*		1	1.00
11		SS8110410TP		SCREW 11/64-40 L= 3.5						1	
12		B18013400A0		HOOK ASM.	FOR LS-1340					1	
13		B1801340000		HOOK				*		1	
14		B1802340000		INNER HOOK				*		1	
15		B1803340000		INNER HOOK PRESSER				*		1	
16	D	B1804340000		NEEDLE GUARD				*		1	
17		B1805340000		TENSION SPRING				*		1	
18		B1806340000		INNER HOOK PRESSER SETSCREW				*		2	
19	R	B1807340000	B18013400A0	TENSION SCREW				*		1	1.00
20	R	B1808340000	B18013400A0	TENSION SPRING SETSCREW				*		1	1.00
21		B9117201000		BOBBIN	FOR LS-1341					1	
22		21227301		HOOK SHAFT GEAR	FOR LS-1341					1	
23		B9117051000		BOBBIN	FOR LS-1340					1	
24		21227400		INNER HOOK GUIDE	FOR LS-1341					1	
25		B1810340000		BOBBIN CASE OPENING LEVER	FOR LS-1340					1	
26		B1814340000		HOOK SHAFT GEAR	FOR LS-1340					1	
27		21431200		HOOK SHAFT LUBRICATION FELT						1	
28		CQ202000000		OIL WICK						.16	
29		B1836246000A		LOWER SHAFT BEVEL GEAR						1	
30		SS8660612TP		SCREW 1/4-40 L=6						3	
31		B1803246000		BUSHING, INTERMEDIATE						1	
32		BT0500300EA		OIL TUBE						.05	
33		40092359		FEED VERTICAL TRIANGULAR CAM						1	
34		SS8150822TP		SCREW 15/64-28 L=8						2	
35		B1301340000		SAFETY CLUTCH DISK						1	
36	R	SS8150710SP	SS8150710TP	SCREW 15/64-28 L=7						2	1.00
37		21223409		SAFETY CLUTCH PUSH BUTTON						1	
38		PS0200102KH		SPRING PIN 2.0 X 10						1	
39		B1639051000		SPRING						1	
40		21223508		PUSH BUTTON CYLINDER						1	
41		23102700		LOWER SHAFT THRUST HOLDER						1	
42		SS8150432TH		SCREW 15/64-28 L=4						2	
43		21427307		LOWER SHAFT METAL , REAR						1	
44		SS8150710TP		SCREW 15/64-28 L=7						1	
45		21427208		LOWER SHAFT						1	

# HOOK SHAFT & LOWER SHAFT COMPONENTS

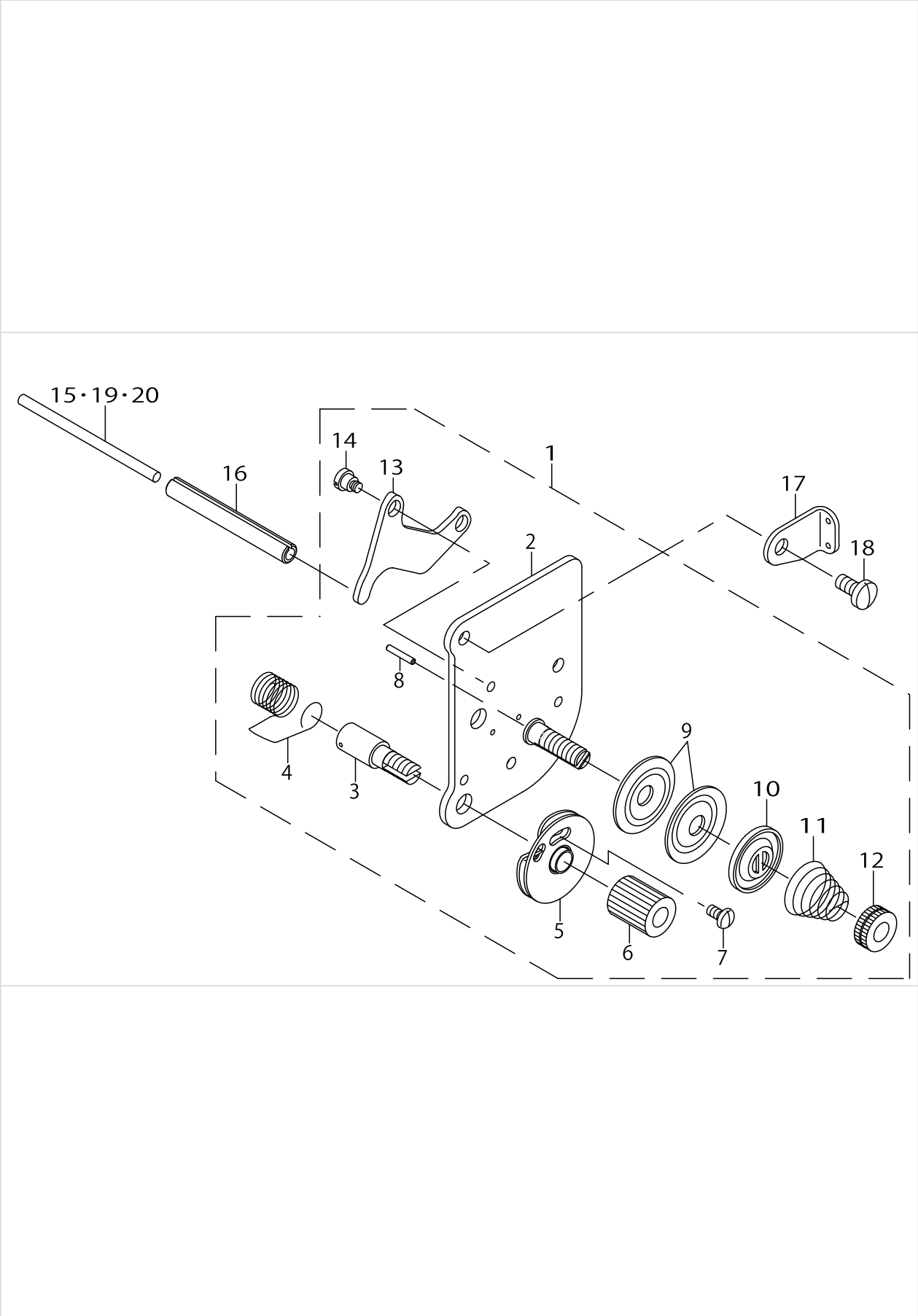


HOOK SHAFT & LOWER SHAFT COMPONENTS

No.	Supply Code	Parts No.	Replacement	Parts name	Remarks	Choice	Step	Level	Cons	Qty	Rep. QTY
46		21333505		LOWER SPROCKET	SELECTIVE PARTS					1	
47		B1214019000		SPROCKET RING						1	
48		B1305055000A		SAFETY CLUTCH SPRING						1	
49	R	B1307055000	21387600	SAFETY CLUTCH HOOK						1	1.00
50		B1308055000		SAFETY CLUTCH COUNTER-HOOK						1	
51	R	B1309055000	40113224	COUNTER-HOOK SPRING						1	1.00
52		B1310055000		SAFETY CLUTCH SMALL LINK						1	
53		10503605		SAFETY BASE						1	
54		B1314055000		SAFETY CLUTCH SMALL LINK PIN						1	
55		SS6661110SP		SCREW 1/4-40 L=11						2	
56		SD0640322TP		HINGE SCREW D= 6.35 H= 3.2						1	
57		SD0640322TP		HINGE SCREW D= 6.35 H= 3.2						1	
58		SS8090540SP		SCREW 9/64-40 L=5						1	
59		21441605		LOWER SPROCKET						1	
60		B1827246000		SLIDE BLOCK						1	
61		B1826246000		SLIDE BLOCK PIN						1	
62		SS1092810SP		SCREW 9/64-40 L=25.4						1	
63		SS7091110TP		SCREW 9/64-40 L=10.5						1	
64		21231204		ADJUSTING PLATE						1	
65		SM6051552TP		SCREW M5 L=15						2	
66		40090530		WASHER						2	
67		40029253		HOOK SHAFT BASE ASM.	FOR LS-1341					1	
68		40091907		HOOK SHAFT BASE ASM.	FOR LS-1340					1	
69	R	40029250	40029253	HOOK SHAFT BASE	FOR LS-1341			*		1	1.00
70		40091897		HOOK SHAFT BASE	FOR LS-1340			*		1	
71		40029246		HOOK SHAFT METAL	FOR LS-1341			*		1	
72		40029247		HOOK SHAFT METAL	FOR LS-1340			*		1	
73		B1820246000		WASHER	SELECTIVE PARTS					1	
74		B182024600A		WASHER A	SELECTIVE PARTS					1	
75		B182024600B		WASHER B						1	
76		B182024600C		WASHER C	SELECTIVE PARTS					1	
77		B182024600D		WASHER	SELECTIVE PARTS					1	



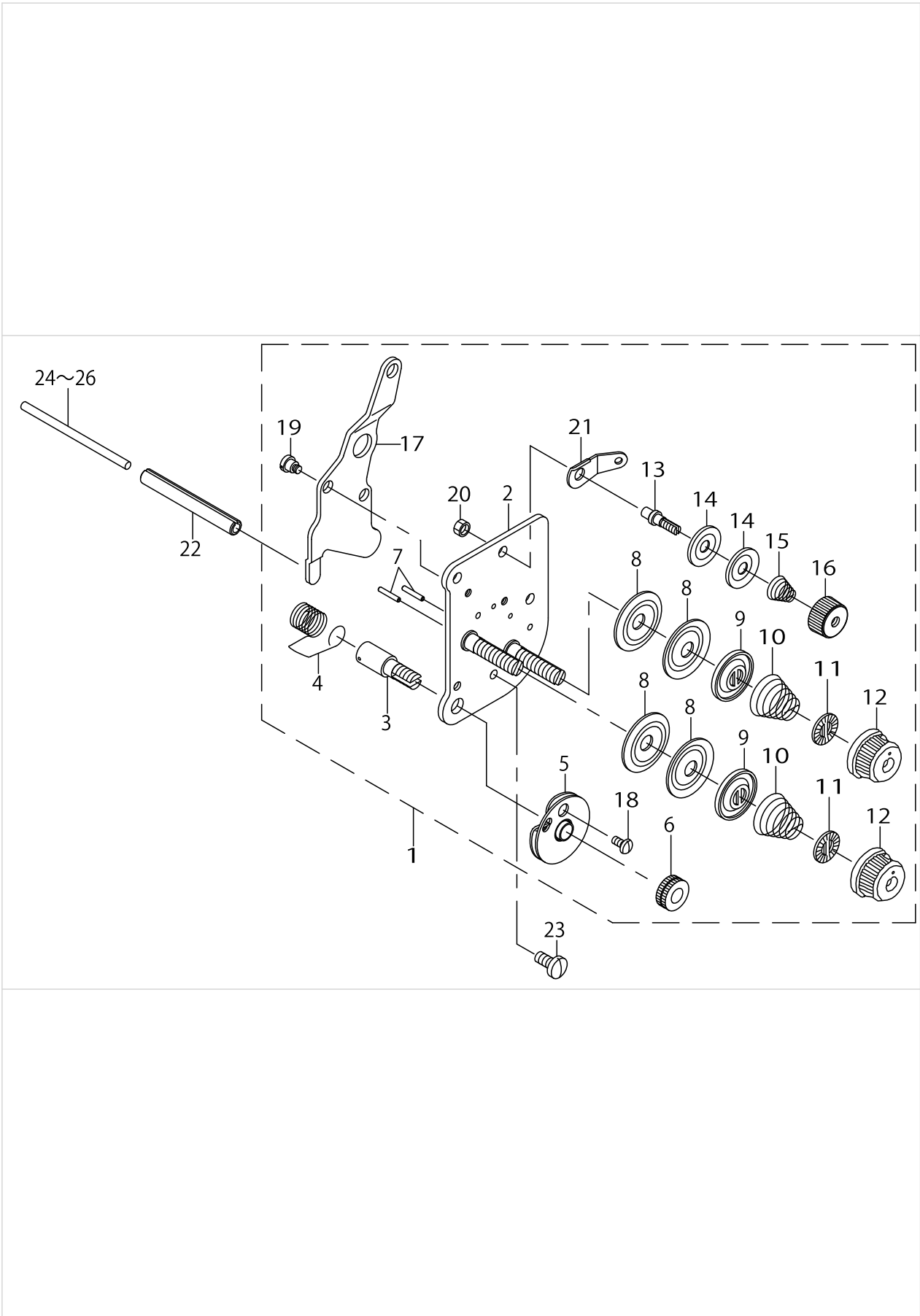
THREAD TENSION COMPONENTS (FOR LS-1340)



THREAD TENSION COMPONENTS (FOR LS-1340)

No.	Supply Code	Parts No.	Replacement	Parts name	Remarks	Choice	Step	Level	Cons	Qty	Rep. QTY
1		21409065		THREAD TENSION ASM.						1	
2	R	21409057	21409065	THREAD POST BASE COMPL.				*		1	1.00
3		10320109		SCREW STUD				*		1	
4		B3128520000		TENSION SPRING				*		1	
5		B31370510A0		TAKE-UP SPRING GUIDE DISC ASM.				*		1	
6		10320208		THRED TENSION STUD NUT				*		1	
7	R	SS4080610SP	SS4080620TP	SCREW 1/8-44 L=6.4				*		1	1.00
8		B3127051000		TENSION RELEASE PIN, SHORT				*		1	
9		13138201		THREAD TENSION DISK				*		2	
10		22617906		THREAD TENSION DISK PRESSER				*		1	
11		B3129053000		TENSION SPRING				*		1	
12	R	B3125012000	22928808	THREAD TENSION NUT				*		1	1.00
13		B3134521000		TENSION RELEASE LEVER				*		1	
14		SD0470281SP		HINGE SCREW D=4.7 H=2.8				*		2	
15		23006406		TENSION RELEASE BAR	SELECTIVE PARTS					1	
16		PS0600502KP		SPRING PIN						1	
17		21409909		GUIDE PLATE						1	
18		SS7110910TP		SCREW 11/64-40 L= 8.5						2	
19		21348206		TENSION RELEASE BAR						1	
20		10321107		TENSION RELEASE BAR	SELECTIVE PARTS					1	

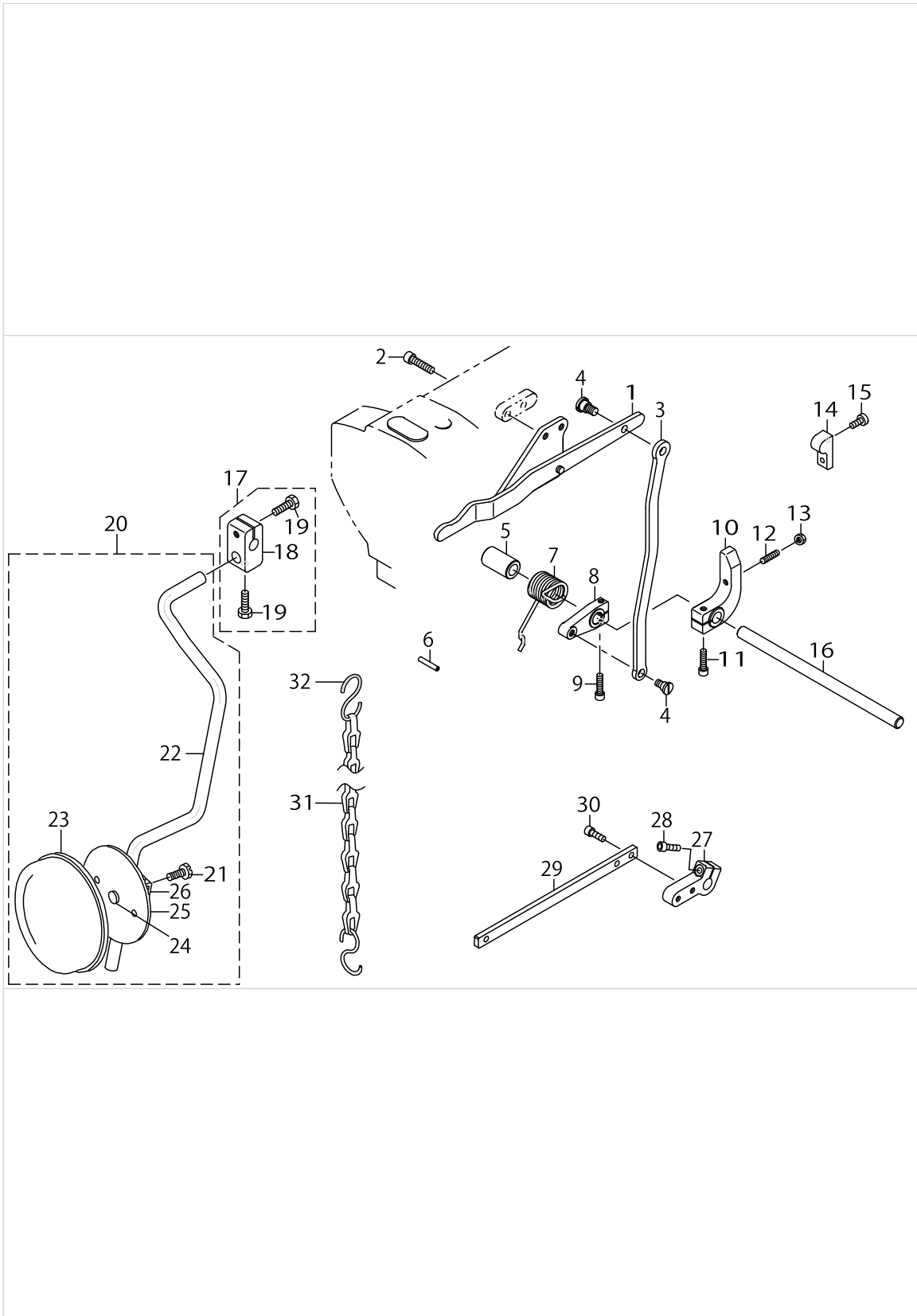
THREAD TENSION COMPONENTS (FOR LS-1341)



THREAD TENSION COMPONENTS (FOR LS-1341)

No.	Supply Code	Parts No.	Replacement	Parts name	Remarks	Choice	Step	Level	Cons	Qty	Rep. QTY
1		40103925		THREAD TENSION ASM.						1	
2		21441050		TENSION POST COMPL.				*		1	
3		10320109		SCREW STUD				*		1	
4		B3128520000		TENSION SPRING				*		1	
5		B31370510A0		TAKE-UP SPRING GUIDE DISC ASM.				*		1	
6	R	B3125012000	22928808	THREAD TENSION NUT				*		1	1.00
7		22618201		TENSION RELEASE PIN, A				*		2	
8		13138201		THREAD TENSION DISK				*		4	
9		22617906		THREAD TENSION DISK PRESSER				*		2	
10		B3129526000		TENSIONSPRING(1.2)				*		2	
11		22921407		ROTATION STOPPER				*		2	
12		22921308		THREAD TENSION NUT				*		2	
13		10124204		THREAD TENSION POST, A				*		1	
14		10741106		FIRST THREAD TENSION PLATE				*		2	
15		22945505		THREAD TENSION SPRING				*		1	
16		22945703		THREAD TENSION NUT				*		1	
17		21441100		TENSION RELEASE PLATE				*		1	
18		SS4080620TP		SCREW 1/8-44 L=6				*		1	
19		SD0470281SP		HINGE SCREW D=4.7 H=2.8				*		2	
20		NS6110310SP		NUT 11/64-40				*		1	
21		D3162555B00		THREAD GUIDE				*		1	
22		PS0600502KP		SPRING PIN						1	
23		SS7110910TP		SCREW 11/64-40 L= 8.5						2	
24		21348206		TENSION RELEASE BAR						1	
25		10321107		TENSION RELEASE BAR	SELECTIVE PARTS					1	
26		23006406		TENSION RELEASE BAR	SELECTIVE PARTS					1	

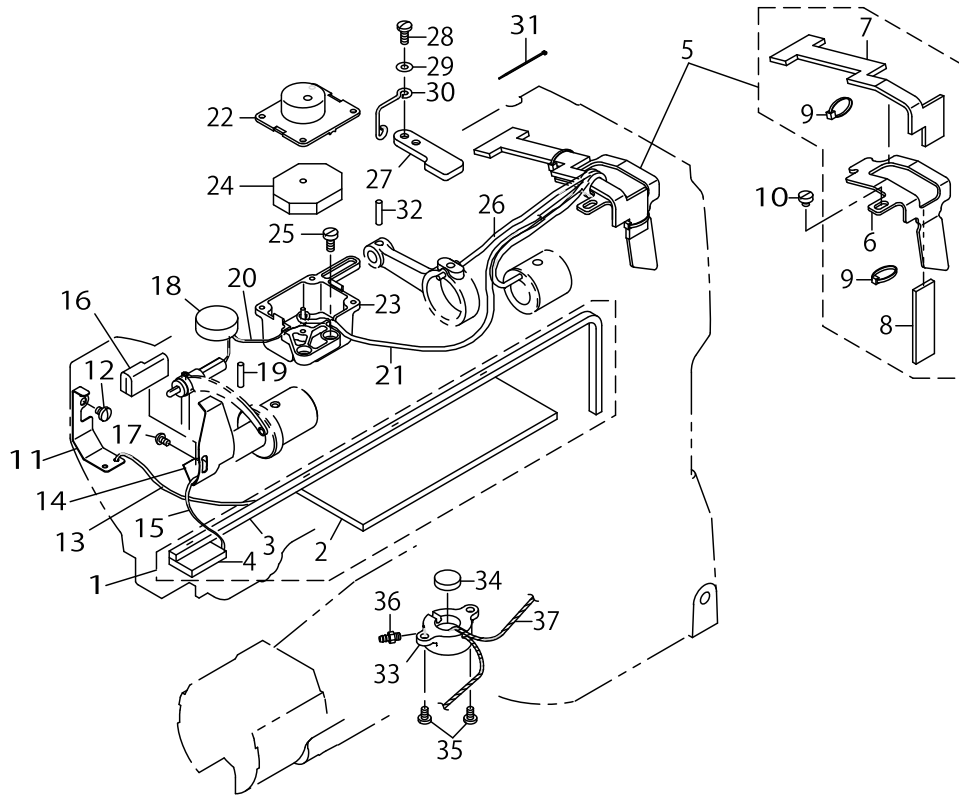
KNEE LIFTER COMPONENTS



KNEE LIFTER COMPONENTS

No.	Supply Code	Parts No.	Replacement	Parts name	Remarks	Choice	Step	Level	Cons	Qty	Rep. QTY
1		21432851		KNEE LIFTER LEVER ASM.						1	
2		SM6062502TP		SCREW M6 L=25						2	
3	D	21432703		NEE LIFTER CONNECTING PLATE						1	
4		SD0790451SP		HINGE SCREW D= 7.94 H= 4.5						2	
5		21433008		NEE LIFTER CONNECTING PLATE						1	
6		PS0400222K0		SPRING PIN						1	
7		21433107		KNEE LIFTER SPRING						1	
8		21405709		KNEE LIFTER ARM						1	
9		SM6052002TP		SCREW M5 L=20						1	
10		21432604		KNEE LIFTER STOPPER ARM						1	
11		SM6052002TP		SCREW M5 L=20						1	
12		SM8052502TP		SCREW M5X0.8 L=25						1	
13		NM6050001SD		NUT M5X0.8						1	
14		21433206		STOPPER ARM						1	
15		SS6121210SP		SCREW 3/16-28 L=12						2	
16		21432505		KNEE LIFTER SHAFT						1	
17		22932453		BRACKET ASM.						1	
18	R	22932404	22932453	BRACKET				*		1	1.00
19		22934707		SCREW				*		2	
20		21433354		KNEE PRESS PLATE ASM.						1	
21		SM9061203SE		SCREW M6 L=12				*		1	
22	R	21433305	21433354	KNEE PRESS LEVER				*		1	1.00
23		22934509		KNEE PAD PLATE COVER				*		1	
24		22934400		KNEE PAD PLATE RUBBER				*		1	
25		22934202		KNEE PAD PLATE				*		1	
26		22934301		KNEE PAD PLATE SUPPORT				*		1	
27		21433404		PRESSER LIFTER ARM	OPTIONAL PARTS					1	
28		SM6051602TP		SCREW M5X0.8 L=16	OPTIONAL PARTS					1	
29		21433503		PRESSER LIFTER PLATE	OPTIONAL PARTS					1	
30		SM6051552TP		SCREW M5 L=15	OPTIONAL PARTS					2	
31	R	B8131019000	26037903	CHAIN	OPTIONAL PARTS					1	1.00
32		13160304		S SHAPED HOOK	OPTIONAL PARTS					2	

LUBRICATION COMPONENTS

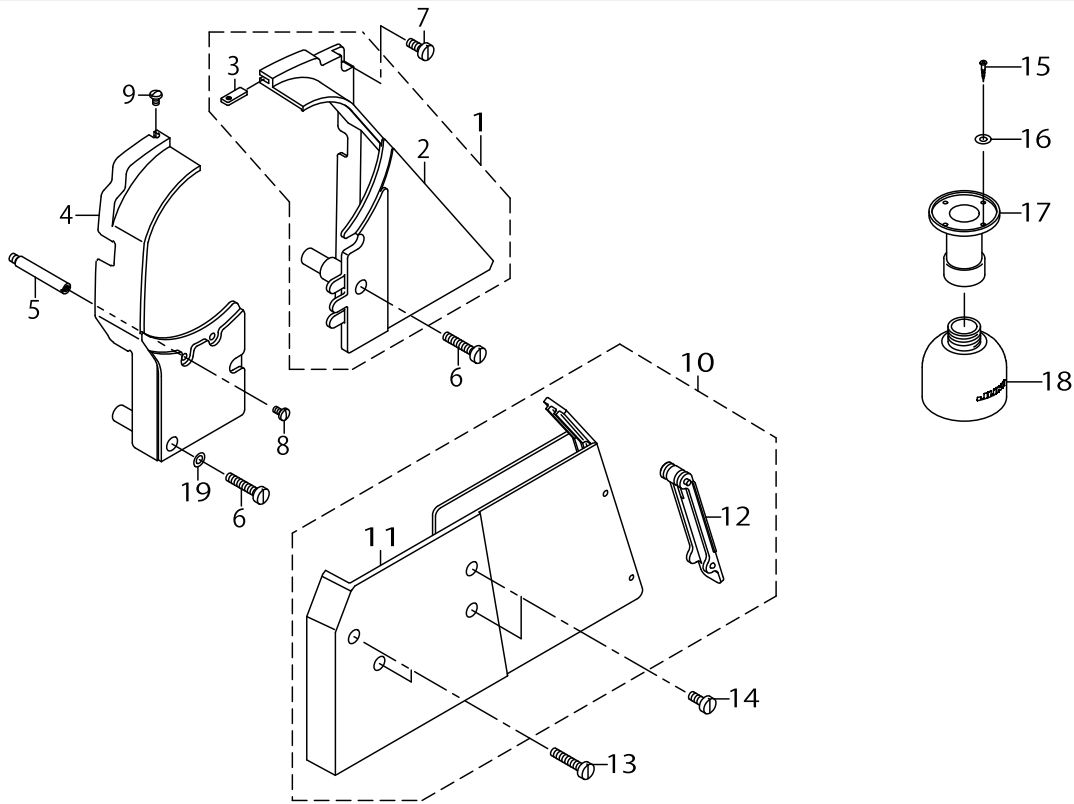


LUBRICATION COMPONENTS

No.	Supply Code	Parts No.	Replacement	Parts name	Remarks	Choice	Step	Level	Cons	Qty	Rep. QTY
1		21345756		ARM ONCE THROU- GH OIL FELT ASM.						1	
2		21345707		ARM ONCE THROUGH FELT A				*		1	
3		21345806		FELT B				*		1	
4		21345905		FACE ONCE THROUGH FELT				*		1	
5		21346358		FELT SUPPORT ASM.						1	
6		21346309		FELT				*		1	
7		21346507		FEED CHANGE FELT				*		1	
8		21346408		FELT				*		1	
9		EA9500B0000		CLIP CV-70S				*		2	
10		SS6110480SP		SCREW 11/64-40 L=4.3						1	
11		21340708		UPPER FEED OIL BAR PLATE						1	
12		SS7110510SP		SCREW 11/64-40 L=5						1	
13		CQ202000000		OIL WICK						.2	
14		21347000		TAKE-UP OIL PLATE	FOR LS-1341					1	
15		CQ202000000		OIL WICK						.25	
16		21347208		TAKE-UP LUBRICATION FELT						1	
17		SS3090610SP		SCREW 9/64-40 L=6						1	
18		21346002		FELT						1	
19		B1412051000		FELT						1	
20		CQ252000000		OIL WICK						.3	
21		BT0500300EA		OIL TUBE						.25	
22		21407507		OIL TANK A						1	
23		21407606		OIL TANK B						1	
24		21407705		FELT						2	
25	R	SS6111010SP	SS6111010TP	SCREW 11/64-40 L= 9.5						2	1.00
26		CQ202000000		OIL WICK						.2	
27		21339700		UPPER FEED STOPPER PLATE (B)						1	
28		SS7111120TP		SCREW						2	
29		WP0450801SD		WASHER 4.5X10X0.8						1	
30		22620504		OIL WICK HOLDER						1	
31		EA9500B0000		CLIP CV-70S						1	
32		PS0500202KP		SPRING PIN 5X20						1	
33		21433800		OIL TANK						1	
34		B1203051000		OIL FELT						1	
35		SS7110710SP		SCREW 11/64-40 L=7						2	
36		SQ1110401MZ		CONNECTING SCREW						1	
37		CQ202000000		OIL WICK						.4	
38		B1140051000		TAKE-UP OIL SPLASHER	FOR LS-1340					1	



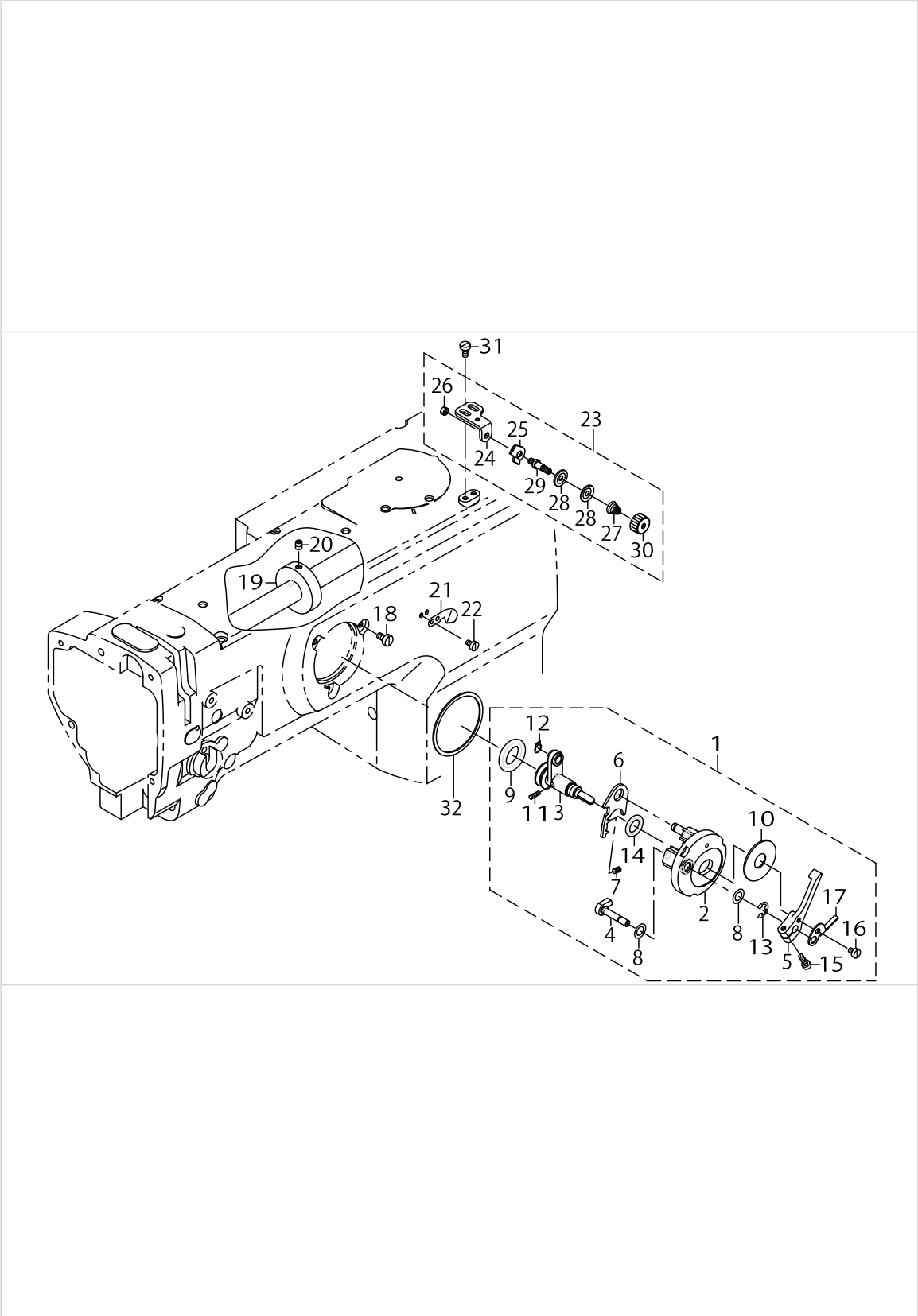
BELT COVER & OIL RESERVOIR COMPONENTS



BELT COVER & OIL RESERVOIR COMPONENTS

No.	Supply Code	Parts No.	Replacement	Parts name	Remarks	Choice	Step	Level	Cons	Qty	Rep. QTY
1		21351150		BELT COVER ASM. (RIGHT)						1	
2	R	21351101	21351150	BELT COVER (RIGHT)				*		1	1.00
3		21351002		BELT COVER AUXILIARY PLATE				*		1	
4		21351200		BELT COVER (LEFT)						1	
5		D8232241E00		BELT COVER SUPPORT A						1	
6		SS6153040SP		SCREW15/64-28L=30						2	
7		SS6151440SP		SCREW15/64-28L=14						1	
8		SS7110840SP		SCREW 11/64-40 L=7.8						1	
9		SS5110740TP		SCREW 11/64-40 L= 6.5						1	
10		21434451		BELT COVER ASM. , LOWER						1	
11		21434402		BELT COVER LOWER				*		1	
12	R	21434501	21434451	BELT COVER COVER				*		1	1.00
13		SS6153040SP		SCREW15/64-28L=30						2	
14		SS6151440SP		SCREW15/64-28L=14						2	
15		SK3241601SC		WOOD SCREW D=2.4 L=16						4	
16		WP0320501SC		WASHER M3						4	
17		B8202205000		OIL MANAGEMENT						1	
18		40025300		OIL POT						1	
19		WP0612076SP		WASHER 6.1X11X2						1	

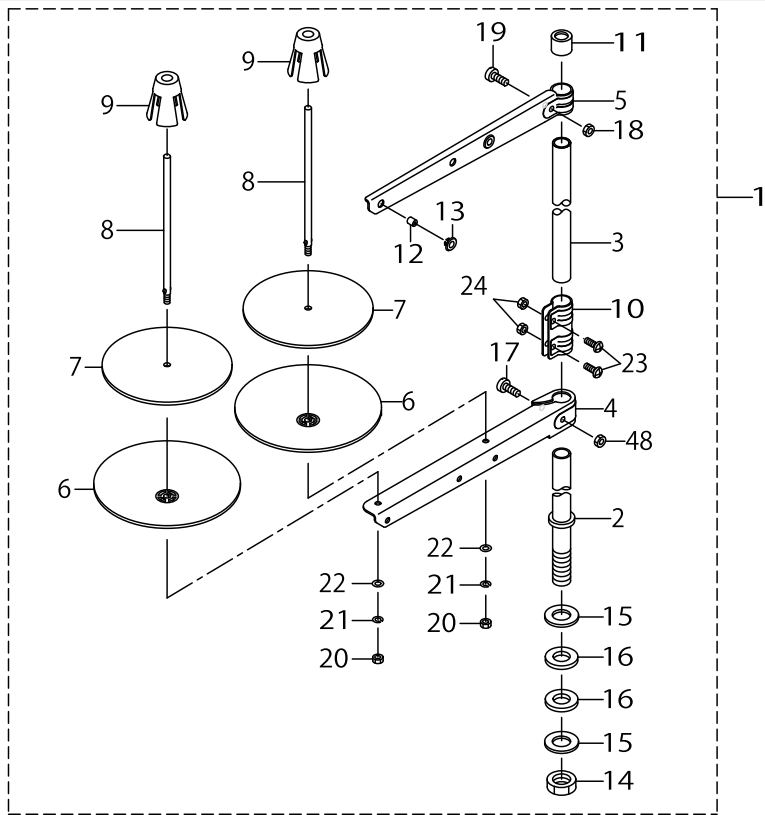
LOWER THREAD WINDER MECHANISM COMPONENTS



LOWER THREAD WINDER MECHANISM COMPONENTS

No.	Supply Code	Parts No.	Replacement	Parts name	Remarks	Choice	Step	Level	Cons	Qty	Rep. QTY
1		21357967		BOBBIN DEVICE ASM.						1	
2		22537658		BOBBIN FITTING BASIS COMPL.				*		1	
3		21357959		BOBIN SHAFT COMPL.				*		1	
4		22538151		BOBBIN CAM SHAFT COMPL.				*		1	
5		23636202		BOBBIN LEVER				*		1	
6		21356001		ADJUSTING PLATE				*		1	
7		B152989000CA		PRESSUR FOOT SPRING				*		1	
8		10618304		VERTICAL ROLLER WASHER				*		2	
9		21358205		RUBBER RING				*		1	
10		B3205210000		CUSHION				*		1	
11	R	B1148555000	22912109	SPRING				*		1	1.00
12		RC0560711KP		RETAINING RING				*		1	
13		RE0500000K0		E-RING				*		1	
14		RO092270200		RUBBER RING				*		1	
15		SS7091410SP		SCREW 9/64-40 L=13.5				*		1	
16		SS6090520SP		SCREW 9/64-40 L= 5.0				*		1	
17		14512503		BOBBIN ADJUSTING PLATE				*		1	
18		SS6110810TP		SCREW 11/64-40 L=8						3	
19		10704807		BOBBIN FRICTION WHEEL						1	
20		SM8050602TP		SCREW M5 L=6						2	
21		10502300		THREAD CUTTER						1	
22		SS6090620TP		SCREW						1	
23		21355755		LOWER THREAD GUIDE ASM.						1	
24	R	21355706	21355755	FITTING BASE				*		1	1.00
25		D3162555B00		THREAD GUIDE				*		1	
26		NS6110310SP		NUT 11/64-40				*		1	
27		22945505		THREAD TENSION SPRING				*		1	
28		40113092		THREAD TENSION DISK				*		2	
29	R	21378708	21355755	THREAD TENSION POST				*		1	1.00
30		22945703		THREAD TENSION NUT				*		1	
31		SM6040800SP		SCREW						2	
32		22538706		PACKING						1	

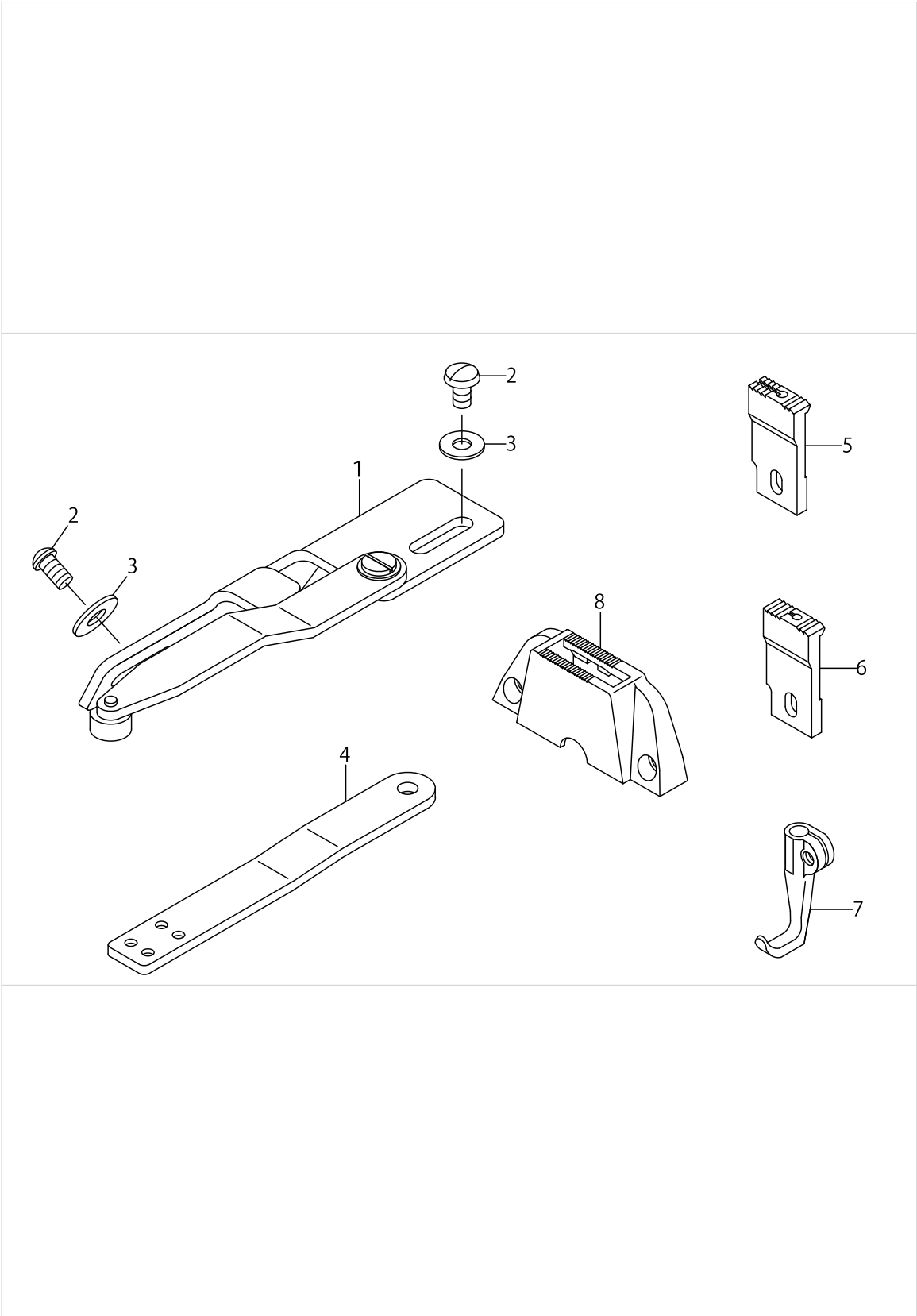
THREAD STAND COMPONENTS



THREAD STAND COMPONENTS

No.	Supply Code	Parts No.	Replacement	Parts name	Remarks	Choice	Step	Level	Cons	Qty	Rep. QTY
1		40096354		THREAD STAND ASM.						1	
2		40085784		SPOOL REST ROD LOWER				*		1	
3		40085785		SPOOL REST ROD UPPER				*		1	
4		40085786		SPOOL REST ARM LOWER				*		1	
5		40085787		SPOOL REST ARM UPPER				*		1	
6		40085788		SPOOL REST				*		2	
7		40085789		SPOOL REST CUSHION				*		2	
8		40085790		SPOOL PIN				*		2	
9		40085791		SPOOL RETAINER				*		2	
10		40085792		SPOOL REST ROD JOINT				*		1	
11		40085793		SPOOL REST ROD RUBBER CAP				*		1	
12		40085794		THREAD GUIDE				*		2	
13		40085795		THREAD GUIDE BUSHING				*		2	
14		40096325		SPOOL REST ROD NUT				*		1	
15		WP1612616SE		WASHER 16X30X2.6				*		2	
16		40085796		SPOOL REST ROD RUBBER CUSHION				*		2	
17		40096326		SPOOL REST ARM LOWER SCREW				*		1	
18		NM6050001SE		NUT M5				*		2	
19	R	40096327	SM4053001SE	SPOOL REST ARM UPPER SCREW				*		1	1.00
20		NM6050001SE		NUT M5				*		2	
21		WS0510002KN		SPRING WASHER M5				*		2	
22		WP0531001SC		WASHER M5				*		2	
23		SM4051405SE		SCREW M5 L=14				*		2	
24		NM6050001SE		NUT M5				*		2	

GAUGE COMPONENTS (OPTIONAL PARTS)

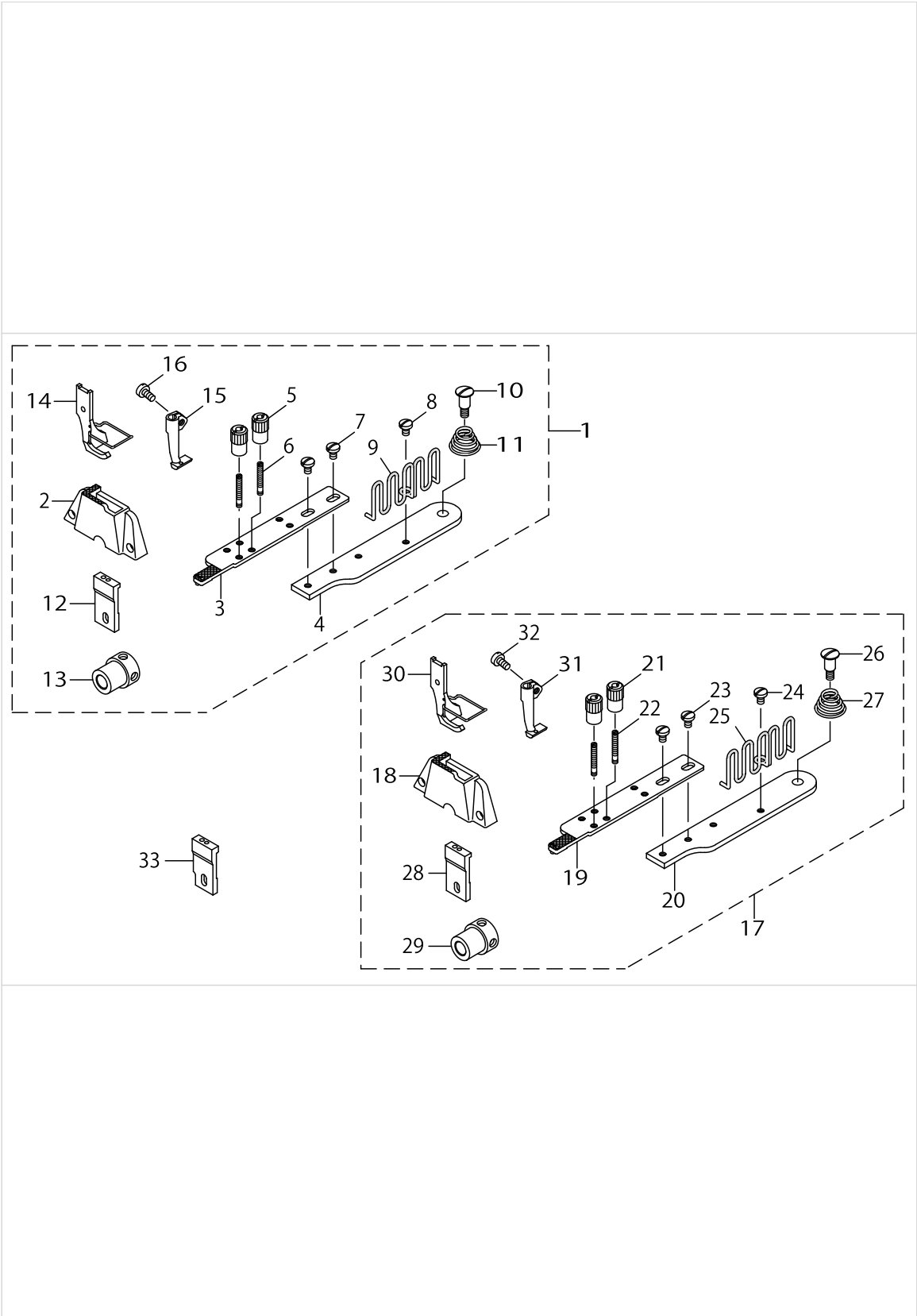


GAUGE COMPONENTS (OPTIONAL PARTS)

No.	Supply Code	Parts No.	Replacement	Parts name	Remarks	Choice	Step	Level	Cons	Qty	Rep. QTY
1		B91013400A0		EDGE GUIDE ASM.						1	
2		MAM22709000		SCREW						2	
3		WP0551016SH		WASHER 5.5X13X1						2	
4		B9104340000		FIXING BINDER FITTING PLATE.						1	
5		21225305		FEED DOG, 3.2MM						1	
6		21225008		FEED DOG						1	
7		21231006		WALKING FOOT						1	
8		21445606		THROAT PLATE	FOR LS-1341					1	



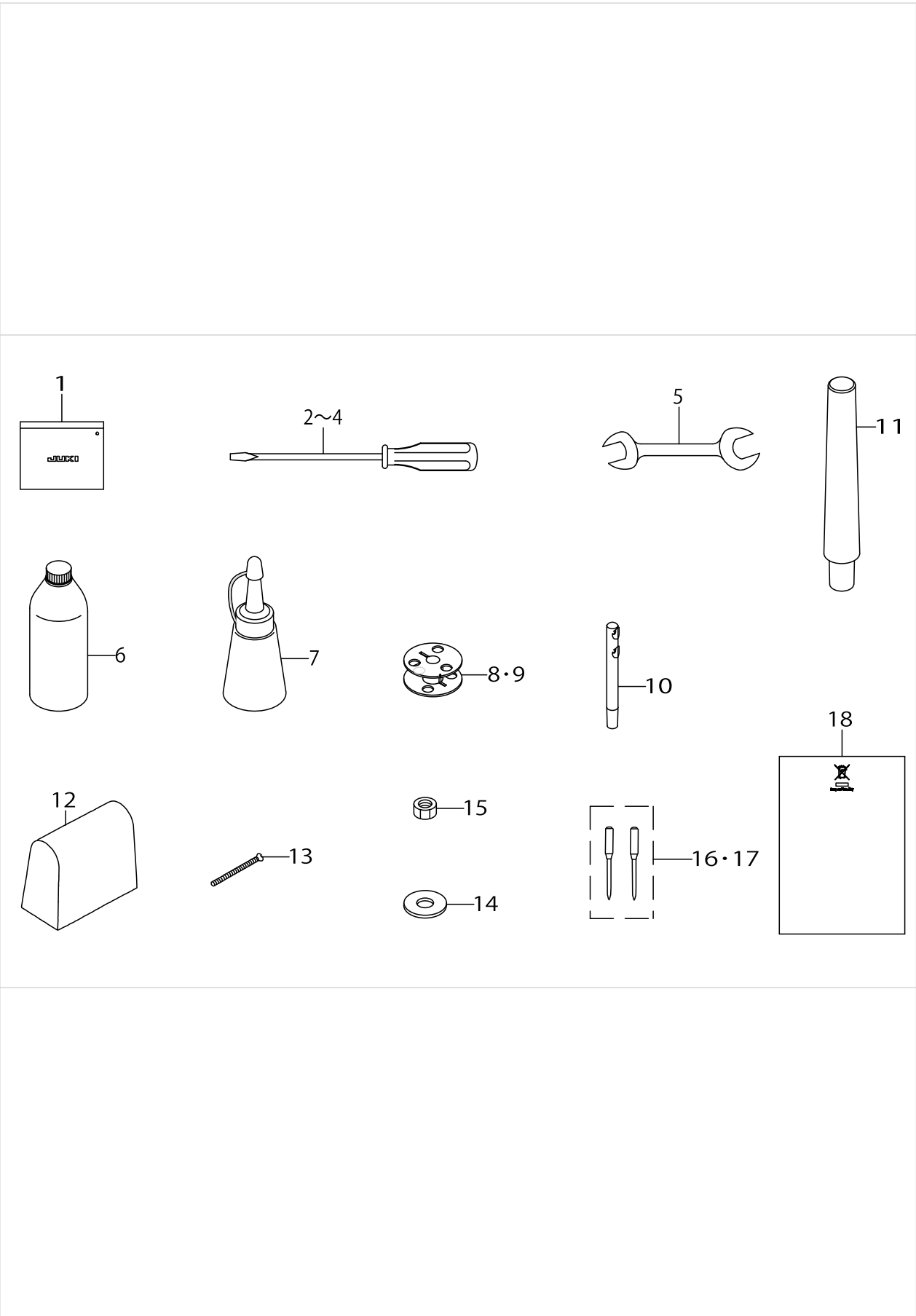
BINDER COMPONENTS



BINDER COMPONENTS

No.	Supply Code	Parts No.	Replacement	Parts name	Remarks	Choice	Step	Level	Cons	Qty	Rep. QTY
1		21434857		LS-1341 BINDER SET	FOR LS-1341					1	
2		21427406		THROAT PLATE				*		1	
3		MAQ14302000		FEED PLATE A ASM.				*		1	
4		MAQ14303000		FEED PLATE B				*		1	
5		MAQ09205000		BINDER LOCK NUT				*		2	
6		MAQ09204000		BINDER SETSCREW				*		2	
7		SS7110510SP		SCREW 11/64-40 L=5				*		2	
8		SS7110510SP		SCREW 11/64-40 L=5				*		1	
9		MAQ09206000		TAPE GUIDE				*		1	
10		SD0721112SN		HINGE SCREW D=7.24 H=11.1				*		1	
11		21232004		SPRING				*		1	
12		MAQ14306000		FEED				*		1	
13		40011964		FEED VERTICAL CAM				*		1	
14		MAQ093080A0		PRESSER FOOT ASM.				*		1	
15		MAQ09307000		WALKING FOOT				*		1	
16		SS6110710TP		SCREW 11/64-40 L= 6.5				*		1	
17		21434758		LS-1340 BINDER SET	FOR LS-1340					1	
18		MAQ14301000		THROAT PLATE				*		1	
19		MAQ14302000		FEED PLATE A ASM.				*		1	
20		MAQ14303000		FEED PLATE B				*		1	
21		MAQ09205000		BINDER LOCK NUT				*		2	
22		MAQ09204000		BINDER SETSCREW				*		2	
23		SS7110510SP		SCREW 11/64-40 L=5				*		2	
24		SS7110510SP		SCREW 11/64-40 L=5				*		1	
25		MAQ09206000		TAPE GUIDE				*		1	
26		SD0721112SN		HINGE SCREW D=7.24 H=11.1				*		1	
27		21232004		SPRING				*		1	
28		MAQ14306000		FEED				*		1	
29		40011964		FEED VERTICAL CAM				*		1	
30		MAQ093080A0		PRESSER FOOT ASM.				*		1	
31		MAQ09307000		WALKING FOOT				*		1	
32		SS6110710TP		SCREW 11/64-40 L= 6.5				*		1	
33		21225404		FEED	OPTIONAL PARTS					1	

ACCESSORIES PARTS COMPONENTS



ACCESSORIES PARTS COMPONENTS

No.	Supply Code	Parts No.	Replacement	Parts name	Remarks	Choice	Step	Level	Cons	Qty	Rep. QTY
1	R	B9101552000	22932800	ACCESSORY BOX						1	1.00
2		22933006		SCREW DRIVER,LARGE						1	
3		22933105		SCREW DRIVER,MIDDLE						1	
4		22933204		SCREW DRIVER,SMALL						1	
5		B9113012000		WRENCH (9X10)						1	
6		MDFRX2700C0		NEW DEFRIX OIL NO.2(700CC)						1	
7		J1067000000		OILER						1	
8		B9117201000		BOBBIN						1	
9		B9117051000		BOBBIN	FOR LS-1340					1	
10		22958300		NEEDLE THREAD GUIDE PIN						1	
11		B820424500A		FRAME SUPPORT BAR						1	
12		40048536		HEAD_COVER						1	
13		B9130245000		BOLT						4	
14		WP0751576SD		WASHER 7.5X19X1.5						4	
15		NM6060001SD		NUT M6						4	
16		M13517B1602		NEEDLE 135X17 #160-2						1	
17		M13517B1402		NEEDLE 135X17 #140-2	FOR LS-1340					1	
18		CM600100201		WEEE INFORMATION SHEET						1	

LIST FOR INFORMATION OF CHANGE

As to the place changed, refer to the corresponding Rev.No.  
 When previous parts(Obsoleted part)and new parts(Added parts)are  
 not interchangeable with each other:  
 In this case,even obsoleted parts(D.)can be ordered with the  
 obsoleted part number,so select the parts with changed dates and  
 place your orders.

変更箇所は,該当Rev.No.版をご参照ください。  
 部品の互換性がない変更の場合は,削除された品番でも,ご注文できます。

29351202  
 No.1313-08 Rev.No.

\*A:Added parts追加部品/D:Obsoleted parts削除部品/E:Erratum訂正

* Rev. No.	Page 頁	Ref. No.	Parts No. 品番	* Rev. No.	Page 頁	Ref. No.	Parts No. 品番
D 07	2	20	213-55805	A 08	2	20	401-08674
D 07	2	56	214-26051	A 08	2	56	400-94671
				A 08	2	59	SS-7110410-SP
				A 08	6	62	SS-8111010-TP
				A 08	8	83	400-19128
				A 08	8	84	EA-9500B01-00
D 07	10	11	SS-8110520-TP	A 08	10	11	SS-8110410-TP
D 07	11	9	B3126-012-000	A 08	11	9	131-38201
D 07	12	1	214-41068	A 08	12	1	401-03925
D 07	12	8	B3126-012-000	A 08	12	8	131-38201
D 07	12	11	B3120-125-000	A 08	12	11	229-21407
D 07	12	12	119-56802	A 08	12	12	229-21308
D 07	12	15	110-45101	A 08	12	15	229-45505
D 07	12	16	110-72402	A 08	12	16	229-45703
D 07	16	27	D3168-555-H0B	A 08	16	27	229-45505
D 07	16	28	B3214-047-000	A 08	16	28	401-13092
D 07	16	30	110-72402	A 08	16	30	229-45703
D 07	17	1	229-30358	A 08	17	1	400-96354

## HOW TO MAKE USE OF THIS PARTS LIST

### 1.Explanation of codes

1)"\*"mark.....means this part is changed from the previous parts book.

As to the details of the change, refer to the "List for information of change".

2)"#01".....refer to "Note" explanation at bottom of page.

### 2.Codes on the "Qty" column

- Each numeral indicates the number of parts required.
- "0.1" and "2.5" indicate the length (in meters) of the respective parts.

3.Parentheses mean that the corresponding part is a subpart that constructs an assembly part.

4.Dotted lines on the Figures indicate assembly parts.

### 1."注記"欄の記号説明

1) "\*"印.....前回のパーツブックに比較して今回変更された部品を意味します。

変更内容は、"変更情報リスト"を参照してください。

2) "#01".....ページ下の"注記"の説明を参照してください。

2.数量欄の数字は、個数を表し、0.1、2.5等の数値は、長さ（単位メートル）を表します。

3.数量欄の（ ）は、組部品を構成している子部品であることを意味します。

4.イラストページの-----枠は、組構成であることを意味します。

# NUMERICAL INDEX OF PARTS

PART NO	PAGE	REF NO.	PART NO	PAGE	REF NO.	PART NO	PAGE	REF NO.
10124204	26	13	21331756	2	9	21346507	30	7
10201200	4	70	21331806	2	12	21347000	30	14
10205201	14	22	21332002	2	13	21347109	10	13
10320109	24	3	21332309	2	16	21347208	30	16
10320109	26	3	21332507	6	12	21348206	24	15·19·20
10320208	24	6	21332705	6	1	21348206	26	24~26
10321107	24	15·19·20	21333000	6	2	21351002	32	3
10321107	26	24~26	21333109	6	17	21351101	32	2
10337905	12	55	21333406	6	32	21351150	32	1
10502300	34	21	21333505	22	46·59	21351200	32	4
10503605	22	53	21334008	6	30	21353008	6	22
10509701	10	22	21336300	14	18	21355706	34	24
10618304	34	8	21336508	6	20	21355755	34	23
10704807	34	19	21336557	6	19	21355904	2	6
10741106	26	14	21336607	16	68	21356001	34	6
13138201	24	9	21336656	16	67	21357959	34	3
13138201	26	8	21336706	16	72	21357967	34	1
13160304	28	32	21337308	16	54	21358205	34	9
14512503	34	17	21337605	16	56	21378302	10	5
17912106	2	26	21337803	16	48	21378708	34	29
21220413	4	49	21337902	16	52	21387402	14	21
21221908	4	50·61·72	21338207	16	73	21388004	14	20
21223409	20	37	21338504	8	31	21402102	6	3·34
21223508	20	40	21338603	8	16	21402300	6	27
21225008	38	6	21338702	8	14	21405204	8	2
21225305	38	5	21338801	8	19	21405709	28	8
21225404	40	33	21338900	8	18	21406103	12	48
21227301	20	22·26	21339106	6	9	21406509	10	28
21227400	20	24·25	21339304	8	23	21406608	12	57
21228101	20	3	21339502	6	15	21407200	16	78
21228200	20	5	21339700	30	27	21407309	16	82
21228903	20	7	21340104	10	31	21407309	18	82
21229208	20	9	21340401	10	1	21407408	14	45
21229307	20	4	21340500	10	2	21407507	30	22
21229406	20	10	21340708	30	11	21407606	30	23
21229703	20	2	21340906	10	42	21407705	30	24
21229752	20	1	21341151	12	46	21409057	24	2
21229802	20	6	21345707	30	2	21409065	24	1
21229901	20	8	21345756	30	1	21409909	24	17
21231006	38	7	21345806	30	3	21426309	4	66
21231204	22	64	21345905	30	4	21426408	4	67
21232004	40	27	21346002	30	18	21426507	4	65
21331202	2	10	21346309	30	6	21426606	4	47
21331301	2	4	21346358	30	5	21426705	2	33
21331608	2	18	21346408	30	8	21426754	2	32

# NUMERICAL INDEX OF PARTS

PART NO	PAGE	REF NO.	PART NO	PAGE	REF NO.	PART NO	PAGE	REF NO.
21426853	2	36	22538706	34	32	40019114	2	3
21426903	2	35	22603112	2	22	40019128	18	83
21427109	6	26	22604904	6	24	40019926	16	57
21427208	20	45	22605406	6	4·35	40025300	32	18
21427307	20	43	22617906	24	10	40027746	8	24
21427406	40	2	22617906	26	9	40029246	22	71·72
21427604	14	30	22618201	26	7	40029247	22	71·72
21427703	14	35	22619100	4	71	40029250	22	69·70
21428305	14	38	22620504	30	30	40029253	22	67·68
21428404	14	41	22814909	8	25	40033026	10	12
21428503	14	40	22901805	2	45	40033027	10	11
21429006	14	7	22904106	10	7	40033029	10	19
21429709	14	14	22904155	10	6	40033030	10	24
21429808	14	11	22907604	10	43	40033031	10	40
21430004	8	27	22911804	16	63	40033032	10	39
21430053	8	26	22912000	16	65	40038711	16	81
21430103	8	29	22912109	16	66	40038712	16	50
21430202	16	59	22921308	26	12	40039326	10	4
21430301	16	61	22921407	26	11	40039838	2	24
21431200	20	27	22932404	28	18	40039839	2	25
21432505	28	16	22932453	28	17	40048536	42	12
21432604	28	10	22933006	42	2~4	40081969	16	80
21432703	28	3	22933105	42	2~4	40081970	16	77
21432851	28	1	22933204	42	2~4	40085784	36	2
21433008	28	5	22934202	28	25	40085785	36	3
21433107	28	7	22934301	28	26	40085786	36	4
21433206	28	14	22934400	28	24	40085787	36	5
21433305	28	22	22934509	28	23	40085788	36	6
21433354	28	20	22934707	28	19	40085789	36	7
21433404	28	27	22945505	26	15	40085790	36	8
21433503	28	29	22945505	34	27	40085791	36	9
21433800	30	33	22945703	26	16	40085792	36	10
21434402	32	11	22945703	34	30	40085793	36	11
21434451	32	10	22958300	42	10	40085794	36	12
21434501	32	12	23006406	24	15·19·20	40085795	36	13
21434758	40	17	23006406	26	24~26	40085796	36	16
21434857	40	1	23100506	4	48	40090318	4	52
21435003	14	1	23102700	20	41	40090323	4	54
21437900	10	36	23636202	34	5	40090530	22	66
21441050	26	2	26225201	10	29	40090727	14	44
21441100	26	17	40011964	40	29	40091242	14	27
21441605	22	46·59	40016798	2	1	40091243	14	3
21445606	38	8	40018339	10	16	40091244	14	25
22537658	34	2	40018340	12	61	40091245	14	26
22538151	34	4	40018341	10	23	40091248	14	23



# NUMERICAL INDEX OF PARTS

PART NO	PAGE	REF NO.	PART NO	PAGE	REF NO.	PART NO	PAGE	REF NO.
40091250	14	5	B14670530A0	10	25	B3128520000	26	4
40091254	14	6	B1467563000	8	12	B3129053000	24	11
40091315	14	9	B1468053000	10	26	B3129526000	26	10
40091897	22	69·70	B14700530A0	12	60	B3134521000	24	13
40091907	22	67·68	B1470241H00	12	51	B31370510A0	24	5
40092246	8	5	B1470241HA0	12	50	B31370510A0	26	5
40092359	20	33	B1471241H00	12	52	B3138512000	2	30
40092676	4	50·61·72	B1501241H00	12	58	B3205210000	34	10
40094670	4	57	B1502246000	10	44	B8131019000	28	31
40094671	4	56	B1510155000	12	49	B8202205000	32	17
40095001	4	58	B1525241H00	12	54	B820424500A	42	11
40096325	36	14	B1525241HA0	12	53	B91013400A0	38	1
40096326	36	17	B1525563DA0	10	38	B9101552000	42	1
40096327	36	19	B152989000CA	34	7	B9104340000	38	4
40096354	36	1	B1607246000	14	31	B9113012000	42	5
40103925	26	1	B1639051000	20	39	B9117051000	20	21·23
40108674	2	20	B1801340000	20	13	B9117051000	42	8·9
40113092	34	28	B18013400A0	20	12	B9117201000	20	21·23
B1105340000	4	50·61·72	B1802340000	20	14	B9117201000	42	8·9
B1116246000	4	62	B1803246000	20	31	B9130245000	42	13
B1117246000	4	73	B1803340000	20	15	BT0500300EA	20	32
B1132521000	2	27	B1804340000	20	16	BT0500300EA	30	21
B1140051000	30	38	B1805340000	20	17	CM300200001	2	44
B1148555000	34	11	B1806038000	14	36	CM301300001	2	42
B1203051000	30	34	B1806340000	20	18	CM600100201	42	18
B1203512000	6	29	B1807340000	20	19	CQ202000000	6	18
B1210051000	6	10	B1808340000	20	20	CQ202000000	16	70
B1214019000	22	47	B1810340000	20	24·25	CQ202000000	20	28
B1301340000	20	35	B1814340000	20	22·26	CQ202000000	30	37
B1305055000A	22	48	B1820246000	22	73~77	CQ252000000	30	20
B1307055000	22	49	B182024600A	22	73~77	CQ3000000F0	10	15
B1308055000	22	50	B182024600B	22	73~77	CQ303000000	6	7
B1309055000	22	51	B182024600C	22	73~77	CQ505000000	6	11
B1310055000	22	52	B182024600D	22	73~77	CS1111019SH	14	33
B1314055000	22	54	B1826246000	22	61	CS111101CSH	14	32
B1410771000	8	21	B1827246000	22	60	CS1201010SH	16	74
B1411053000	8	8	B1836246000A	20	29	CS1201011SH	16	75
B14110530A0	8	6	B1905053000	6	3·34	D1455055B00	10	33
B1412051000	8	9	B1906051000	6	6	D1456055B00	10	32
B1412051000	30	19	B1907051000	6	4·35	D3162555B00	26	21
B1414232000	8	22	B3013141H0B	4	60	D3162555B00	34	25
B1414555000	10	21	B3125012000	24	12	D8232241E00	32	5
B1418761000	16	69	B3125012000	26	6	EA9500B0000	10	14
B1420563000	8	1	B3127051000	24	8	EA9500B0000	30	31
B1462053000	12	47	B3128520000	24	4	EA9500B0100	8	30

# NUMERICAL INDEX OF PARTS

PART NO	PAGE	REF NO.	PART NO	PAGE	REF NO.	PART NO	PAGE	REF NO.
EA9500B0100	18	84	SD0800481SP	10	45	SS6110810TP	34	18
J1067000000	42	7	SD0900701TP	14	16	SS6111010SP	30	25
M13517B1400	8	11-32	SD1000801SH	14	17	SS6111140SP	4	68
M13517B1402	42	16-17	SK3241601SC	32	15	SS6111610SP	16	58
M13517B1600	8	11-32	SM4030601SC	2	37	SS6120930TP	14	13
M13517B1602	42	16-17	SM4051405SE	36	23	SS6121210SP	28	15
MAM22709000	38	2	SM6040800SP	34	31	SS6121220TP	14	8
MAQ09204000	40	22	SM6051402TP	14	12	SS6121610TP	14	39
MAQ09205000	40	21	SM6051552TP	22	65	SS6121860SP	16	62
MAQ09206000	40	25	SM6051552TP	28	30	SS6151440SP	32	14
MAQ09307000	40	31	SM6051602TP	28	28	SS6151780SP	10	27
MAQ093080A0	40	30	SM6052002TP	28	11	SS6151920SP	10	30
MAQ14301000	40	18	SM6061802TP	16	60	SS6152440SP	8	28
MAQ14302000	40	19	SM6062502TP	10	37	SS6153040SP	32	13
MAQ14303000	40	20	SM6062502TP	28	2	SS6661110SP	6	25
MAQ14306000	40	28	SM6081552TP	4	64	SS6661110SP	22	55
MDFRX2700C0	42	6	SM8040402TP	4	55	SS7080510TP	8	10
NM6030003SC	2	34	SM8050402TP	14	15	SS7090520TP	2	31
NM6050001SD	28	13	SM8050602TP	34	20	SS7090910SP	8	7
NM6050001SE	36	24	SM8050612TP	16	71	SS7090910TP	16	53
NM6060001SD	42	15	SM8052502TP	28	12	SS7091110TP	22	63
NS6110310SP	26	20	SM8060602TP	6	28	SS7091410SP	34	15
NS6110310SP	34	26	SM8080802TP	8	20	SS7110410SP	4	59
NS6110530SP	10	35	SM8080812TP	6	14	SS7110510SP	10	20
NS6660430SP	14	29	SM9061203SE	28	21	SS7110510SP	30	12
PS0200102KH	14	4	SQ1110401MZ	30	36	SS7110510SP	40	24
PS0200102KH	20	38	SS1092810SP	22	62	SS7110710SP	6	23
PS0400222K0	28	6	SS2090520SL	2	46	SS7110710SP	16	51
PS0500202KP	30	32	SS2090710TP	2	29	SS7110710SP	30	35
PS0600502KP	24	16	SS3090610SP	30	17	SS7110830SP	8	15
PS0600502KP	26	22	SS4080610SP	24	7	SS7110840SP	14	2
RC0560711KP	34	12	SS4080620TP	26	18	SS7110840SP	32	8
RE0500000K0	34	13	SS4110815SP	2	17	SS7110910TP	8	13
RE0900000K0	14	19	SS4111215SP	2	2	SS7110910TP	10	41
RO092270200	16	64	SS4150915SP	2	41	SS7110910TP	16	46
RO092270200	34	14	SS5090610SP	2	21	SS7110910TP	24	18
SD0380551SL	2	28	SS5110710SP	2	39	SS7110910TP	26	23
SD0470281SP	24	14	SS5110740TP	32	9	SS7111120TP	30	28
SD0470281SP	26	19	SS6090520SP	34	16	SS7112810SP	4	51
SD0640322TP	22	57	SS6090620TP	34	22	SS7113110SP	4	53
SD0721112SN	40	26	SS6090910TP	12	59	SS7150740SP	12	56
SD0790451SP	28	4	SS6091022TP	8	17	SS7150910TP	2	19
SD0790701SP	14	28	SS6110480SP	30	10	SS7621040SP	2	7
SD0800352SP	4	63	SS6110610TP	14	24	SS8090540SP	22	58
SD0800402TP	16	55	SS6110710TP	40	32	SS8110410TP	20	11

## NUMERICAL INDEX OF PARTS

PART NO	PAGE	REF NO.
SS8110422TP	16	47
SS8110710SP	14	10
SS8111010TP	12	62
SS8150432TH	20	42
SS8150510TP	14	37
SS8150710SP	10	9
SS8150710SP	20	36
SS8150710TP	6	36
SS8150710TP	20	44
SS8150822TP	6	31
SS8150822TP	16	49
SS8150822TP	20	34
SS8151150TP	8	3
SS8151550SP	6	33
SS8660610TP	10	8
SS8660610TP	14	76
SS8660610TP	16	76
SS8660612TP	10	3
SS8660612TP	20	30
SS8660810TP	6	21
SS9152130CP	14	43
TA0550604R0	2	38
TA0550604R0	10	10
TA0750404R0	2	11
TA0750704R0	6	37
TA1100604R0	2	43
TA1250504R0	2	40
TA1450404R0	2	8
WP0320501SC	32	16
WP0450801SD	30	29
WP0482086SD	10	34
WP0501046SC	10	18
WP0531001SC	36	22
WP0551016SH	38	3
WP0612076SP	32	19
WP0621016SH	14	42
WP0751576SD	42	14
WP1612616SE	36	15
WS0510002KN	36	21
WT0530002KS	4	69