

MODEL : MO-6900S-**H SUBCLASSES

List No : 1319-02

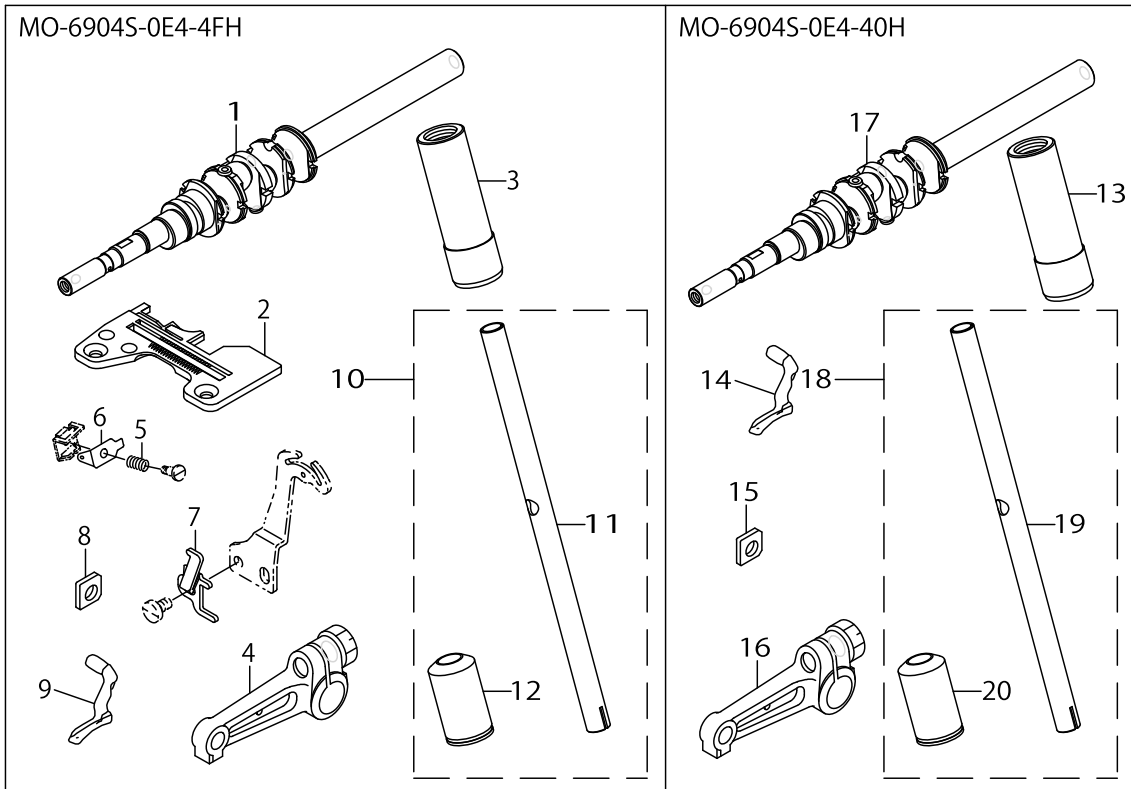
PARTS LIST

Published:05/12/2017

CONTENTS

MO-6900S SUBCLASSES (1).....	1
MO-6900S SUBCLASSES (2).....	3
MO-6900S SUBCLASSES (3).....	5
MO-6900S SUBCLASSES (4).....	7
MO-6900S SUBCLASSES (5).....	9
MO-6900S SUBCLASSES (6).....	11
MO-6900S SUBCLASSES (7).....	13
MO-6900S SUBCLASSES (8).....	15
MO-6900S SUBCLASSES (9).....	17
MO-6900S SUBCLASSES (10).....	19
MO-6900S SUBCLASSES (11).....	21
MO-6900S SUBCLASSES (12).....	23
MO-6900S SUBCLASSES (13).....	25
MO-6900S SUBCLASSES (14).....	27
MO-6900S SUBCLASSES (15).....	29
MO-6900S SUBCLASSES (16).....	31
MO-6900S SUBCLASSES (17).....	35
MO-6900S SUBCLASSES (18).....	37
MO-6900S SUBCLASSES (19).....	39
MO-6900S SUBCLASSES (20).....	41
MO-6900S SUBCLASSES (21).....	45
HOW TO MAKE USE OF THIS PARTS LIST	47

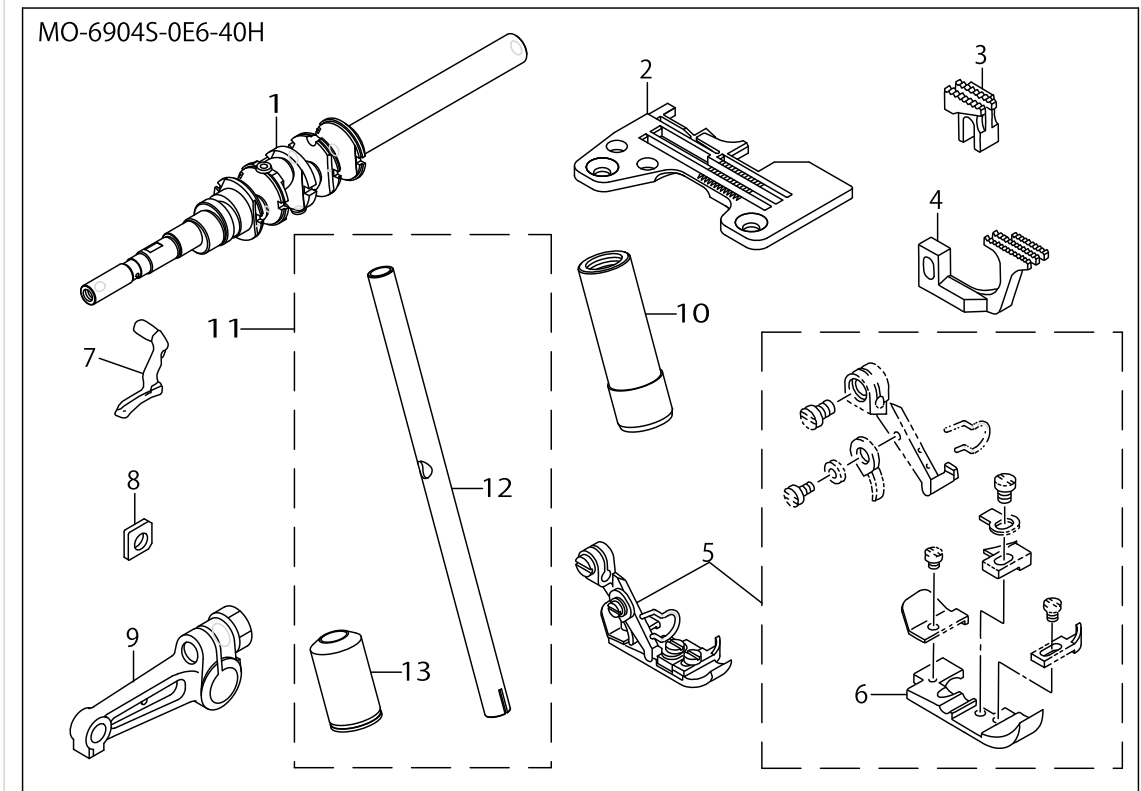
MO-6900S SUBCLASSES (1)



MO-6900S SUBCLASSES (1)

No.	Supply Code	Parts No.	Replacement	Parts name	Remarks	Choice	Step	Level	Cons	Qty	Rep. QTY
1	R	13205158	40022782	CRANKSHAFT ASM.						1	1.00
2		R4200J6ED0A		THROAT PLATE						1	
3		13207600		NEEDLE HOLDER BUSHING,UPPER						1	
4		13131156		UPPER LOOPER ARM B ASM.						1	
5		12112702		NEEDLE THREAD P-RESSER SPRING B						1	
6		12112504		NEEDLE THREAD P-RESSER PLATE C						1	
7		12112603		DIFFERENTIAL FEED CAM						1	
8		13132006		GAUGE						1	
9		11991908		UPPER LOOPER						1	
10		13210059		NEEDLE HOLDER (B) ASM.						1	
11		13210000		NEEDLE HOLDER (B)				*		1	
12	R	13207709	13208350	NEEDLE HOLDER BUSHING,LOWER				*		1	1.00
13		13207600		NEEDLE HOLDER BUSHING,UPPER						1	
14		11991908		UPPER LOOPER						1	
15		13132006		GAUGE						1	
16		13131156		UPPER LOOPER ARM B ASM.						1	
17	R	13205158	40022782	CRANKSHAFT ASM.						1	1.00
18		13210059		NEEDLE HOLDER (B) ASM.						1	
19		13210000		NEEDLE HOLDER (B)				*		1	
20	R	13207709	13208350	EEDLE HOLDER BUSHING,LOWER				*		1	1.00

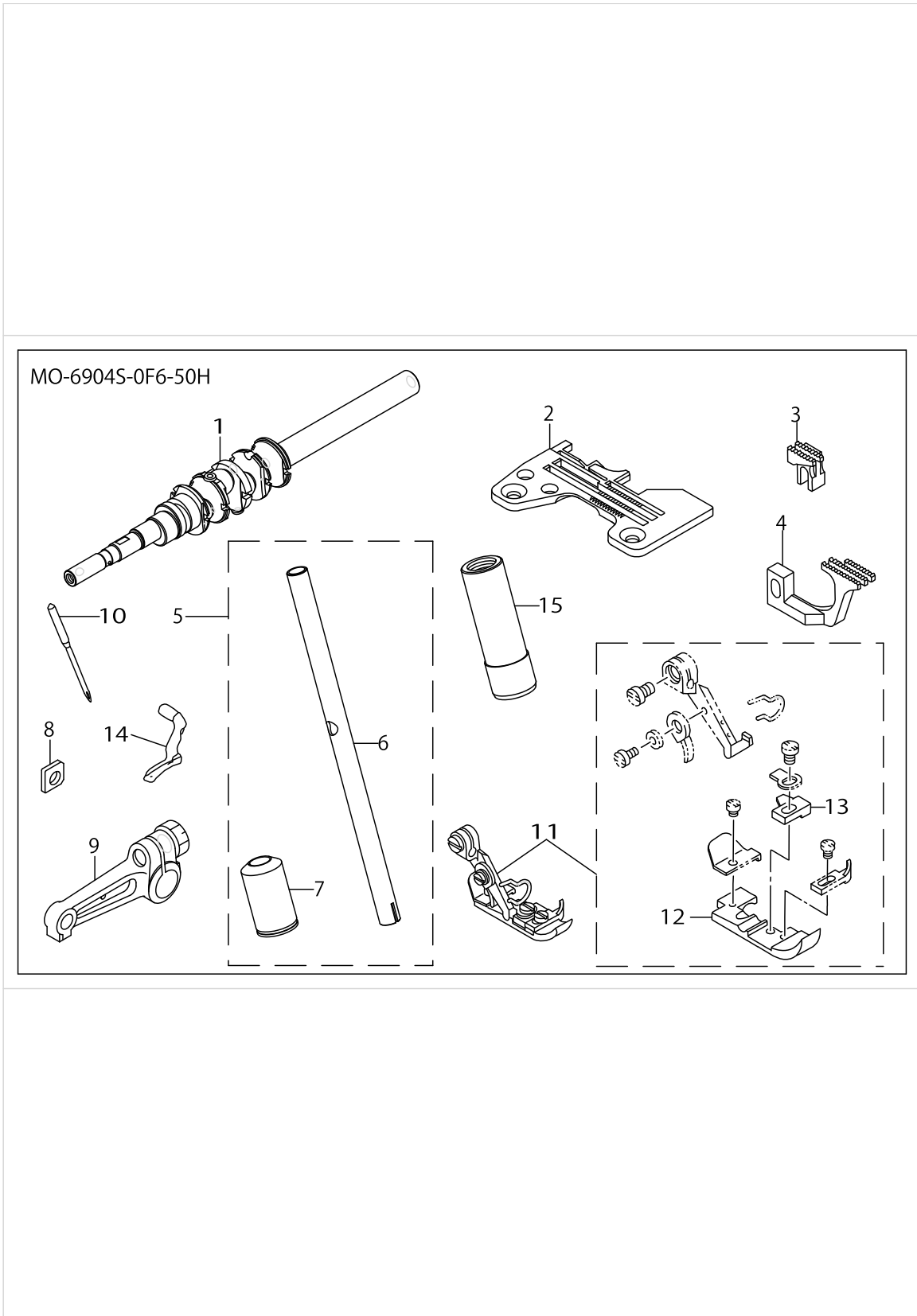
MO-6900S SUBCLASSES (2)



MO-6900S SUBCLASSES (2)

No.	Supply Code	Parts No.	Replacement	Parts name	Remarks	Choice	Step	Level	Cons	Qty	Rep. QTY
1	R	13205158	40022782	CRANKSHAFT ASM.						1	1.00
2		R4300J6EE00		THROAT PLATE						1	
3		11882206		MAIN FEED DOG						1	
4		11885100		DIFFERENTIAL FEED DOG						1	
5		11876364		PRESSER FOOT ASM.						1	
6		11873007		PRESSER FOOT				*		1	
7		11991908		UPPER LOOPER						1	
8		13132006		GAUGE						1	
9		13131156		UPPER LOOPER ARM B ASM.						1	
10		13207600		NEEDLE HOLDER BUSHING,UPPER						1	
11		13210059		NEEDLE HOLDER (B) ASM.						1	
12		13210000		NEEDLE HOLDER (B)				*		1	
13	R	13207709	13208350	NEEDLE HOLDER BUSHING,LOWER				*		1	1.00

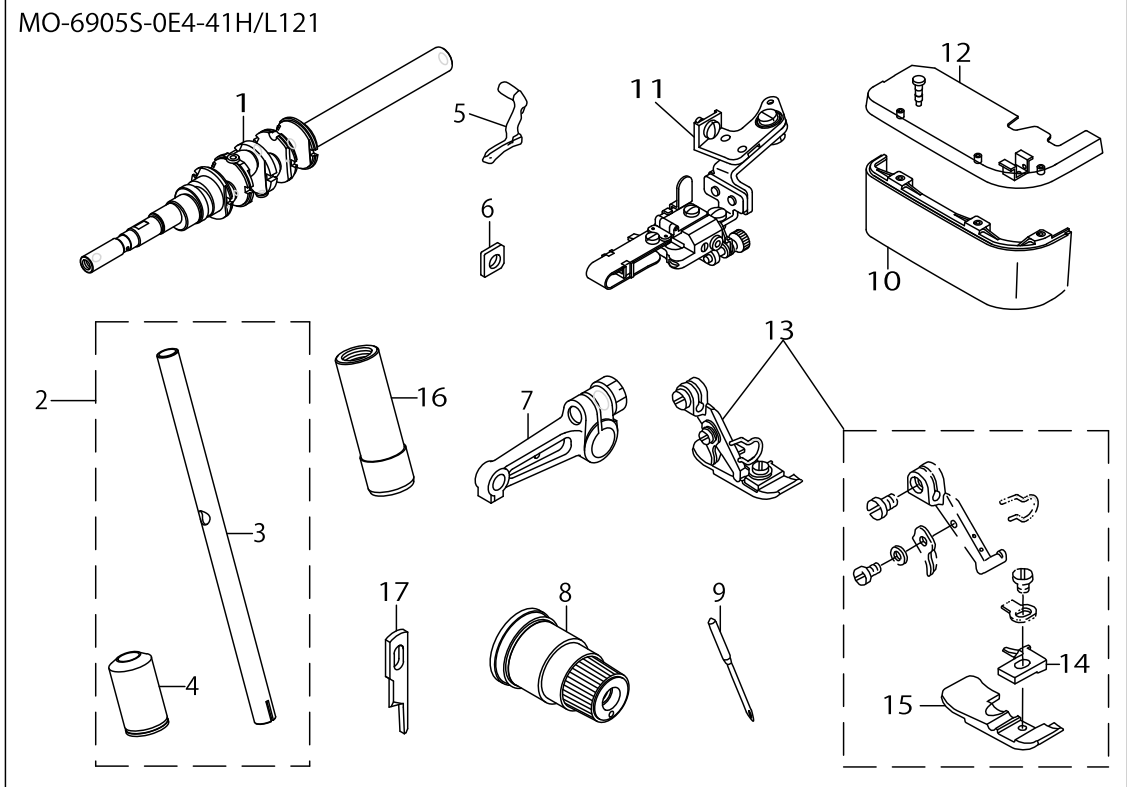
MO-6900S SUBCLASSES (3)



MO-6900S SUBCLASSES (3)

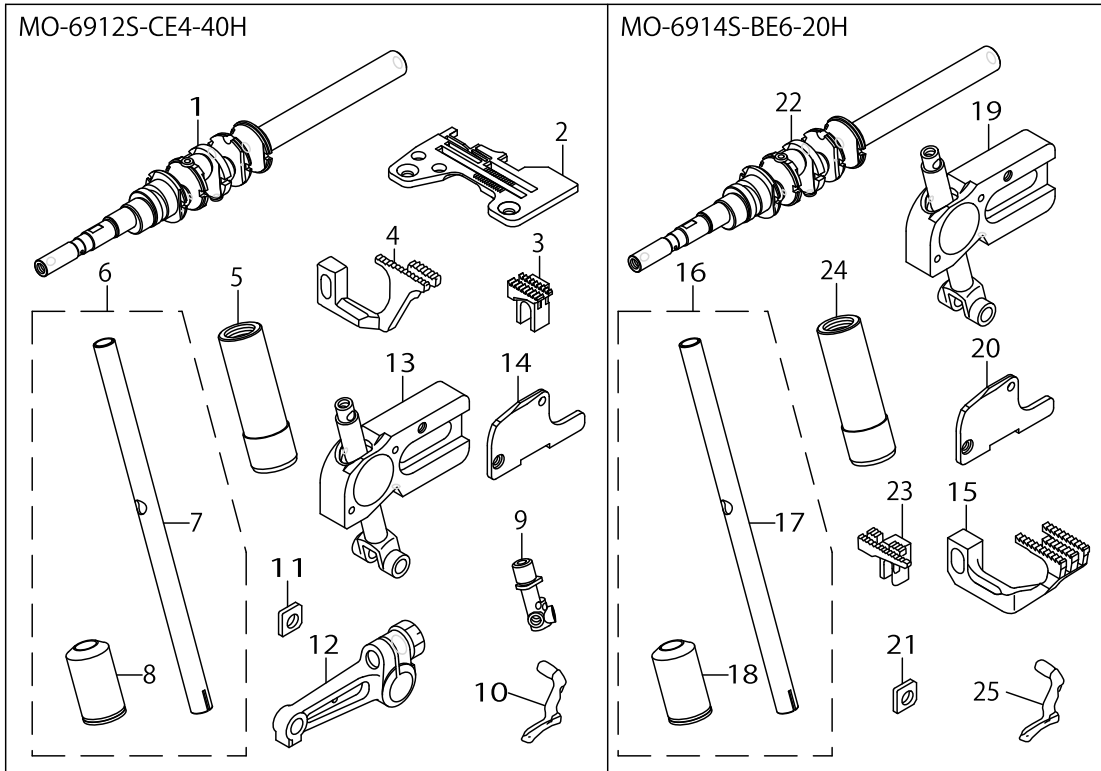
No.	Supply Code	Parts No.	Replacement	Parts name	Remarks	Choice	Step	Level	Cons	Qty	Rep. QTY
1	R	13205158	40022782	CRANKSHAFT ASM.						1	1.00
2		R4300J6FE0B		THROAT PLATE						1	
3		11883303		MAIN FEED DOG						1	
4		11885605		DIFFERENTIAL FEED DOG						1	
5		13210059		NEEDLE HOLDER (B) ASM.						1	
6		13210000		NEEDLE HOLDER (B)				*		1	
7	R	13207709	13208350	NEEDLE HOLDER BUSHING,LOWER				*		1	1.00
8		13132006		GAUGE						1	
9		13131156		UPPER LOOPER ARM B ASM.						1	
10		MDC270B1400		NEEDLE DCX27 #14						1	
11		11876463		PRESSER FOOT ASM.						1	
12		11873007		PRESSER FOOT				*		1	
13		B1509804C0A		STITCH TONGUE				*		1	
14		11991908		UPPER LOOPER						1	
15		13207600		NEEDLE HOLDER BUSHING,UPPER						1	

MO-6900S SUBCLASSES (4)



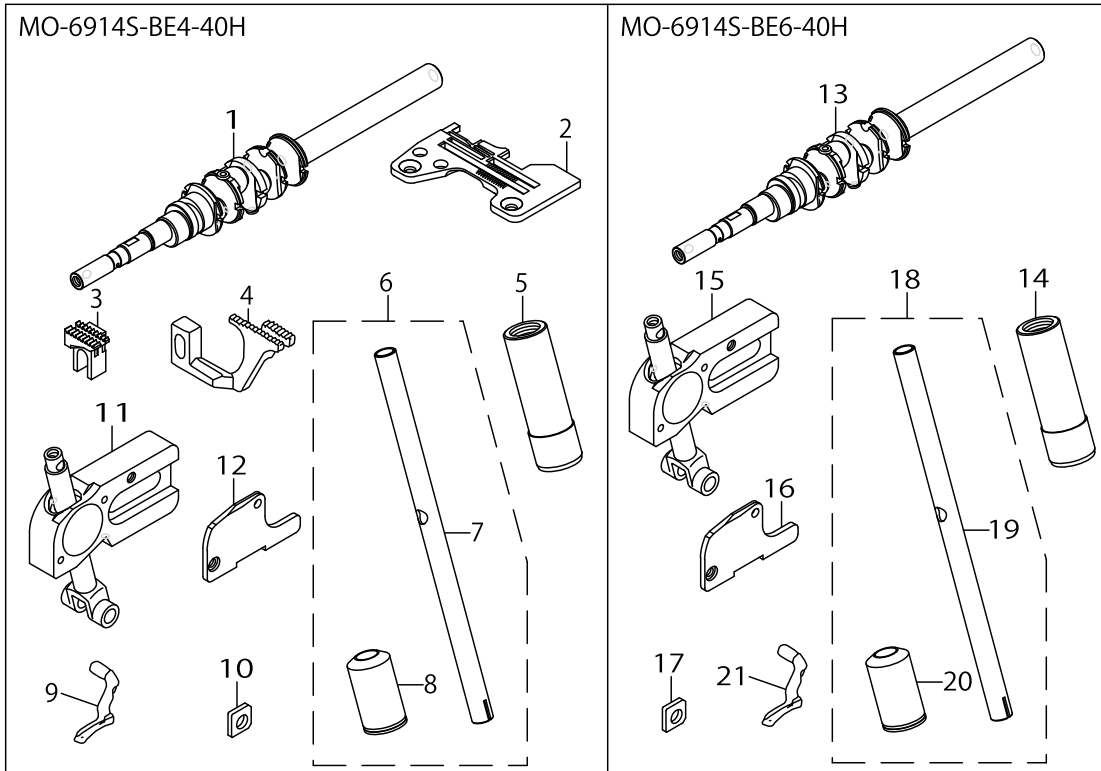
MO-6900S SUBCLASSES (4)

No.	Supply Code	Parts No.	Replacement	Parts name	Remarks	Choice	Step	Level	Cons	Qty	Rep. QTY
1	R	13205158	40022782	CRANKSHAFT ASM.						1	1.00
2		13210059		NEEDLE HOLDER (B) ASM						1	
3		13210000		NEEDLE HOLDER (B)				*		1	
4	R	13207709	13208350	NEEDLE HOLDER BUSHING,LOWER				*		1	1.00
5		11991908		UPPER LOOPER						1	
6		13132006		GAUGE						1	
7		13131156		UPPER LOOPER ARM B ASM.						1	
8		13138359		THREAD TENSION SPRING JUNCTION						1	
9		MDC270B0900		NEEDLE DCX27 #9						1	
10		12104709		CLOTHPLATECOVER						1	
11		MAL121000A0		SKIRT DRAGGING COMPL.						1	
12	R	12105557	13106257	CLOTH PLATE ASM.						1	1.00
13		11992161		PRESSER FOOT ASM.						1	
14		11874807		STITCH TONGUE				*		1	
15	R	11992104	11992161	PRESSER FOOT				*		1	1.00
16		13207600		NEEDLE HOLDER BUSHING,UPPER						1	
17		13150602		KNIFE						1	



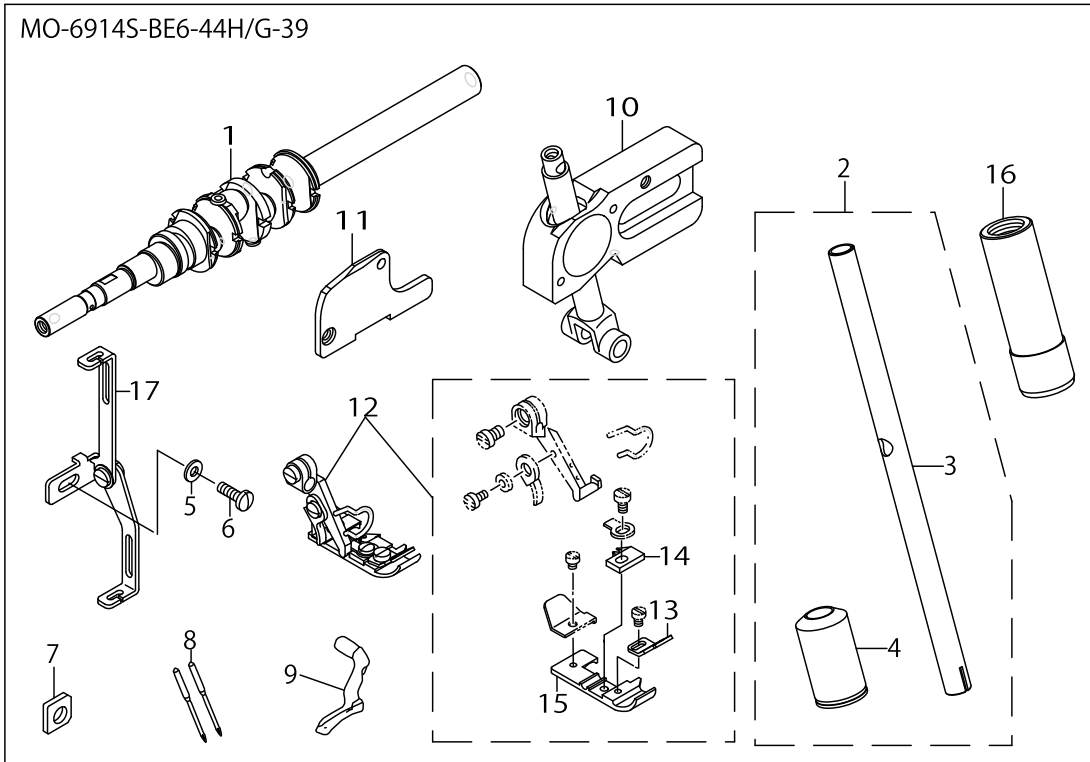
MO-6900S SUBCLASSES (5)

No.	Supply Code	Parts No.	Replacement	Parts name	Remarks	Choice	Step	Level	Cons	Qty	Rep. QTY
1	R	13205158	40022782	CRANKSHAFT ASM.						1	1.00
2		R4206J6EE00		THROAT PLATE						1	
3		11597101		MAIN FEED DOG						1	
4		B1657814B0E		DIFFERENTIAL FEED DOG						1	
5		13207600		NEEDLE HOLDER BUSHING,UPPER						1	
6		13210059		NEEDLE HOLDER (B) ASM.						1	
7		13210000		NEEDLE HOLDER (B)				*		1	
8	R	13207709	13208350	NEEDLE HOLDER BUSHING,LOWER				*		1	1.00
9		12275509		2-NEEDLE NEEDLE CLAMP (CE4)						1	
10		12176103		UPPER LOOPER						1	
11		13132006		GAUGE						1	
12		13131057		UPPER LOOPER ARM A ASM.						1	
13	R	13224159	40015637	UPPER LOOPER GUIDE ASM.						1	1.00
14		13222203		UPPER LOOPER GUIDE COVER						1	
15		12172003		DIFF,FEED DOG						1	
16		13210059		NEEDLE HOLDER (B) ASM.						1	
17		13210000		NEEDLE HOLDER (B)				*		1	
18	R	13207709	13208350	NEEDLE HOLDER BUSHING,LOWER				*		1	1.00
19	R	13224159	40015637	UPPER LOOPER GUIDE ASM.						1	1.00
20		13222203		UPPER LOOPER GUIDE COVER						1	
21		13132006		GAUGE						1	
22	R	13205158	40022782	CRANKSHAFT ASM.						1	1.00
23		12171500		MAIN FEED DOG						1	
24		13207600		NEEDLE HOLDER BUSHING,UPPER						1	
25		12176103		UPPER LOOPER						1	



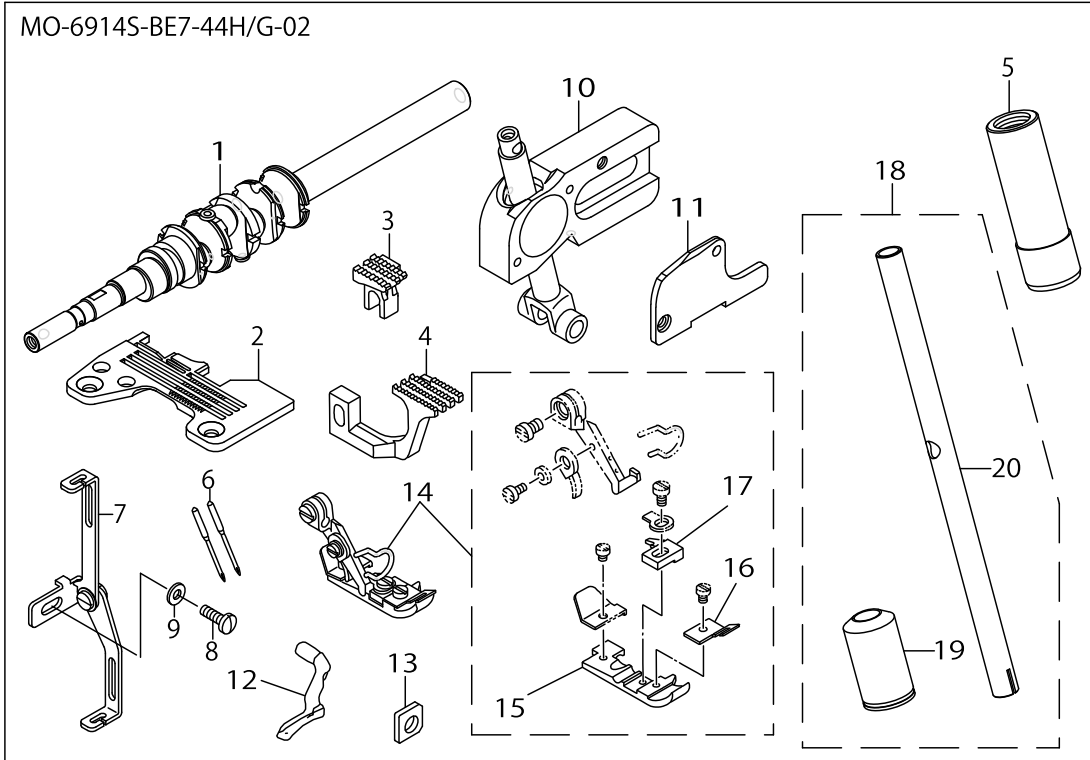
MO-6900S SUBCLASSES (6)

No.	Supply Code	Parts No.	Replacement	Parts name	Remarks	Choice	Step	Level	Cons	Qty	Rep. QTY
1	R	13205158	40022782	CRANKSHAFT ASM.						1	1.00
2		R4205J6EE00		THROAT PLATE						1	
3		11597101		MAIN FEED DOG						1	
4		B1657814B0E		DIFFERENTIAL FEED DOG						1	
5		13207600		NEEDLE HOLDER BUSHING,UPPER						1	
6		13210059		NEEDLE HOLDER (B) ASM.						1	
7		13210000		NEEDLE HOLDER (B)				*		1	
8	R	13207709	13208350	NEEDLE HOLDER BUSHING,LOWER				*		1	1.00
9		12176103		UPPER LOOPER						1	
10		13132006		GAUGE						1	
11	R	13224159	40015637	UPPER LOOPER GUIDE ASM.						1	1.00
12		13222203		UPPER LOOPER GUIDE COVER						1	
13	R	13205158	40022782	CRANK SHAFT ASM.						1	1.00
14		13207600		NEEDLE HOLDER BUSHING,UPPER						1	
15	R	13224159	40015637	UPPER LOOPER GUIDE ASM.						1	1.00
16		13222203		UPPER LOOPER GUIDE COVER						1	
17		13132006		GAUGE						1	
18		13210059		NEEDLE HOLDER (B) ASM.						1	
19		13210000		NEEDLE HOLDER (B)				*		1	
20	R	13207709	13208350	NEEDLE HOLDER BUSHING,LOWER				*		1	1.00
21		12176103		UPPER LOOPER						1	



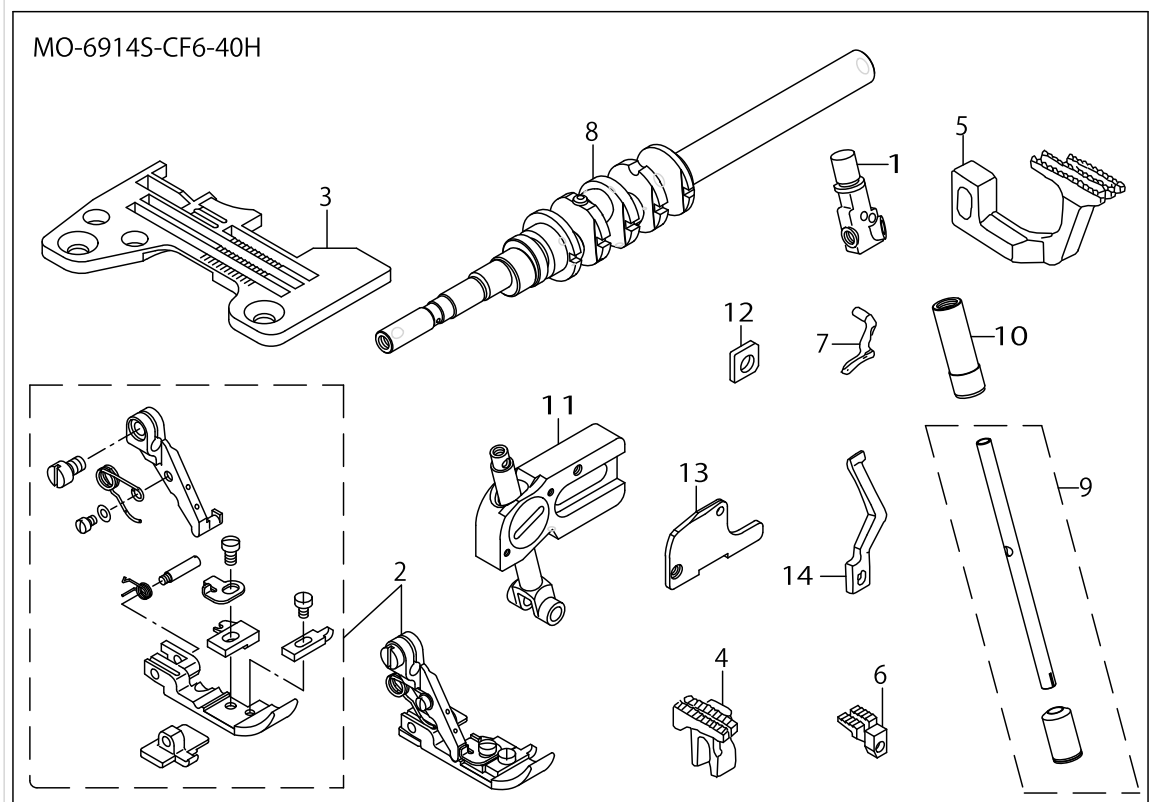
MO-6900S SUBCLASSES (7)

No.	Supply Code	Parts No.	Replacement	Parts name	Remarks	Choice	Step	Level	Cons	Qty	Rep. QTY
1	R	13205158	40022782	CRANKSHAFT ASM.						1	1.00
2		13210059		NEEDLE HOLDER (B) ASM.						1	
3		13210000		NEEDLE HOLDER (B)				*		1	
4	R	13207709	13208350	NEEDLE HOLDER BUSHING,LOWER				*		1	1.00
5		WP0371016SD		WASHER 3.7X8X1						1	
6		SS7091110TP		SCREW 9/64-40 L=10.5						1	
7		13132006		GAUGE						1	
8		MDC270B1400		NEEDLE DCX27 #14						2	
9		12176103		UPPER LOOPER						1	
10	R	13224159	40015637	UPPER LOOPER GUIDE ASM.						1	1.00
11		13222203		UPPER LOOPER GUIDE COVER						1	
12		12152963		PRESSER FOOT ASM.						1	
13		12160909		TAPE GUIDE				*		1	
14		12160305		STITCH TONGUE				*		1	
15		12158002		PRESSER FOOT				*		1	
16		13207600		NEEDLE HOLDER BUSHING,UPPER						1	
17	R	MAQ141000A0	MAQ141000B0	TAPE GUIDE ASM.						1	1.00



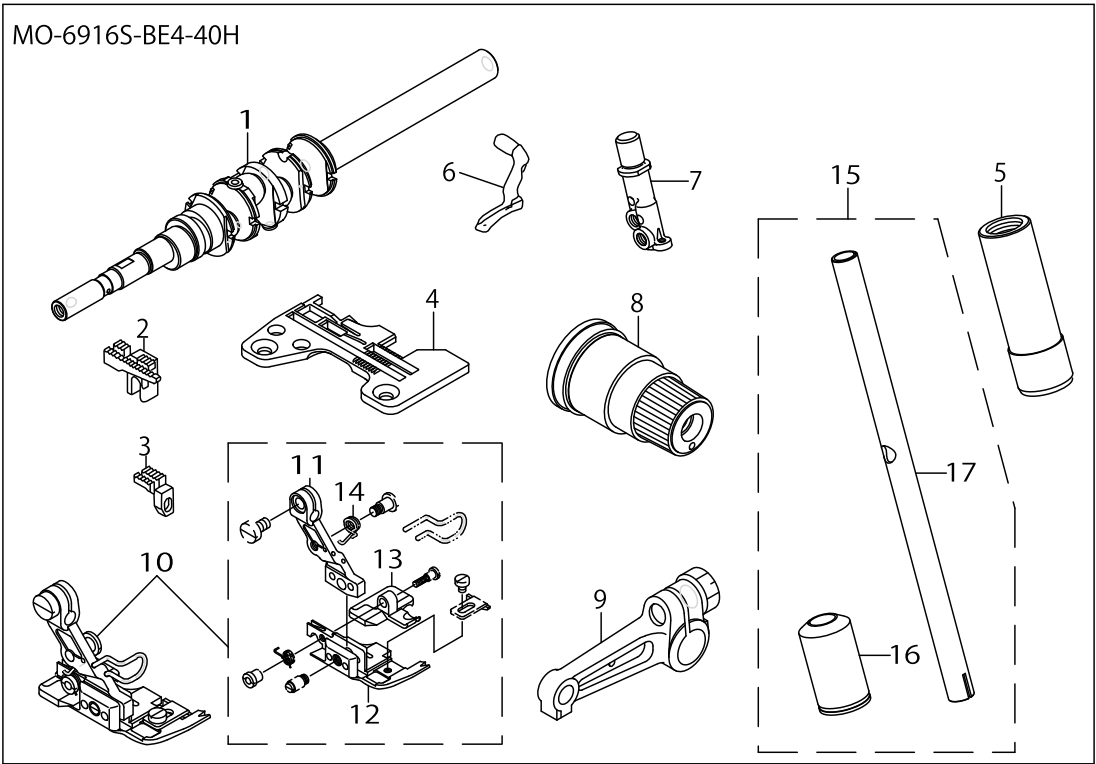
MO-6900S SUBCLASSES (8)

No.	Supply Code	Parts No.	Replacement	Parts name	Remarks	Choice	Step	Level	Cons	Qty	Rep. QTY
1	R	13205158	40022782	CRANKSHAFT ASM.						1	1.00
2		R4405J6EE00		THROAT PLATE						1	
3		11883501		MAIN FEED DOG						1	
4		B1657814B0F		DIFFERENTIAL FEED DOG						1	
5		13207600		NEEDLE HOLDER B-USHING,UPPEER						1	
6		MDC270B1400		NEEDLE DCX27 #14						2	
7	R	MAQ141000A0	MAQ141000B0	TAPE GUIDE ASM.						1	1.00
8		SS7091110TP		SCREW 9/64-40 L=10.5						1	
9		WP0371016SD		WASHER 3.7X8X1						1	
10	R	13224159	40015637	UPPER LOOPER GUIDE ASM.						1	1.00
11		13222203		UPPER LOOPER GUIDE COVER						1	
12		12176103		UPPER LOOPER						1	
13		13132006		GAUGE						1	
14		11879269		PRESSER FOOT ASM.						1	
15		B1507814B0B		PRESSER FOOT				*		1	
16		B1531814000		TAPE GUIDE PLATE				*		1	
17		B1509814B0B		STITCH TONGUE				*		1	
18		13210059		NEEDLE HOLDER (B) ASM.						1	
19	R	13207709	13208350	NEEDLE HOLDER BUSHING,LOWER				*		1	1.00
20		13210000		NEEDLE HOLDER (B)				*		1	



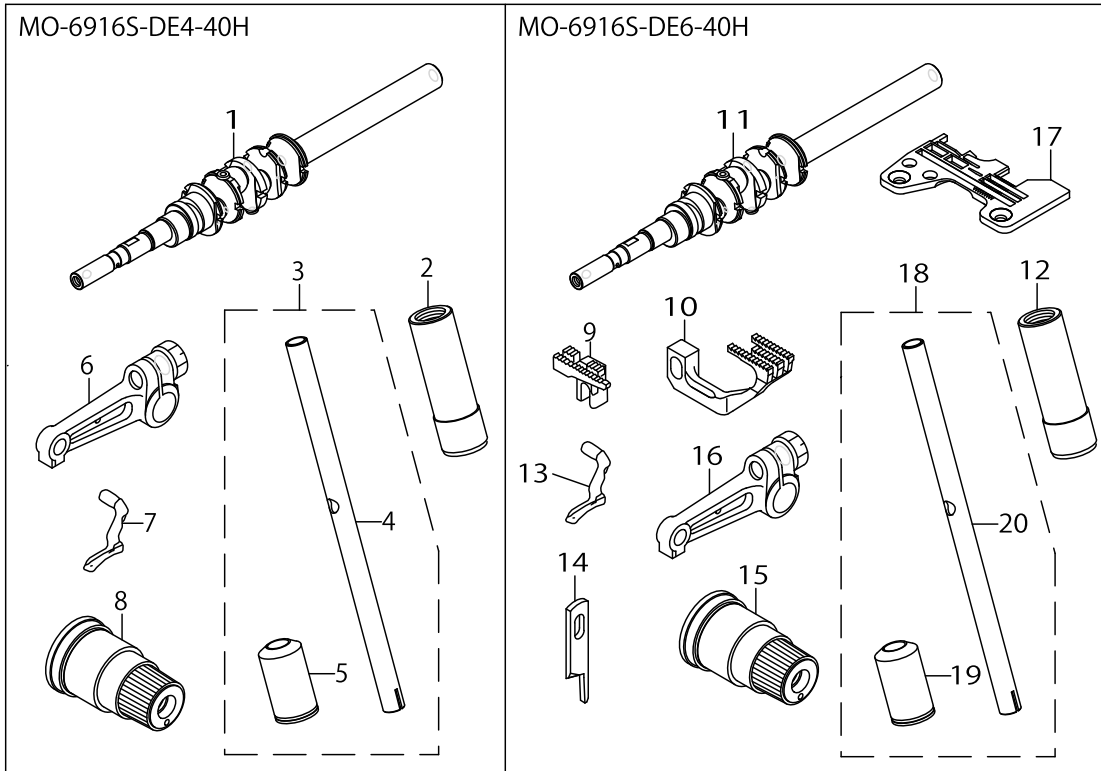
MO-6900S SUBCLASSES (9)

No.	Supply Code	Parts No.	Replacement	Parts name	Remarks	Choice	Step	Level	Cons	Qty	Rep. QTY
1		12149308		NEEDLE CLAMP, 2-NEEDLE						1	
2	R	11984457	11984465	PRESSER ASM.						1	1.00
3		R4306J6FE00		THROAT PLATE						1	
4		11882503		MAIN FEED DOG						1	
5		11790706		DIFFERENTIAL FEED DOG						1	
6		11887205		AUXILIARY FEED DOG						1	
7		12176103		UPPER LOOPER						1	
8		40023276		MAIN SHAFT ASM.						1	
9		13210059		NEEDLE HOLDER(B) ASM.						1	
10		13207600		NEEDLE HOLDER BUSHING,UPPER						1	
11		40015637		GUIDE SUPPORT ASM.						1	
12		13132006		GAUGE						1	
13		13222203		UPPER LOOPER GUIDE COVER						1	
14		11890407		NEEDLE GUARD						1	



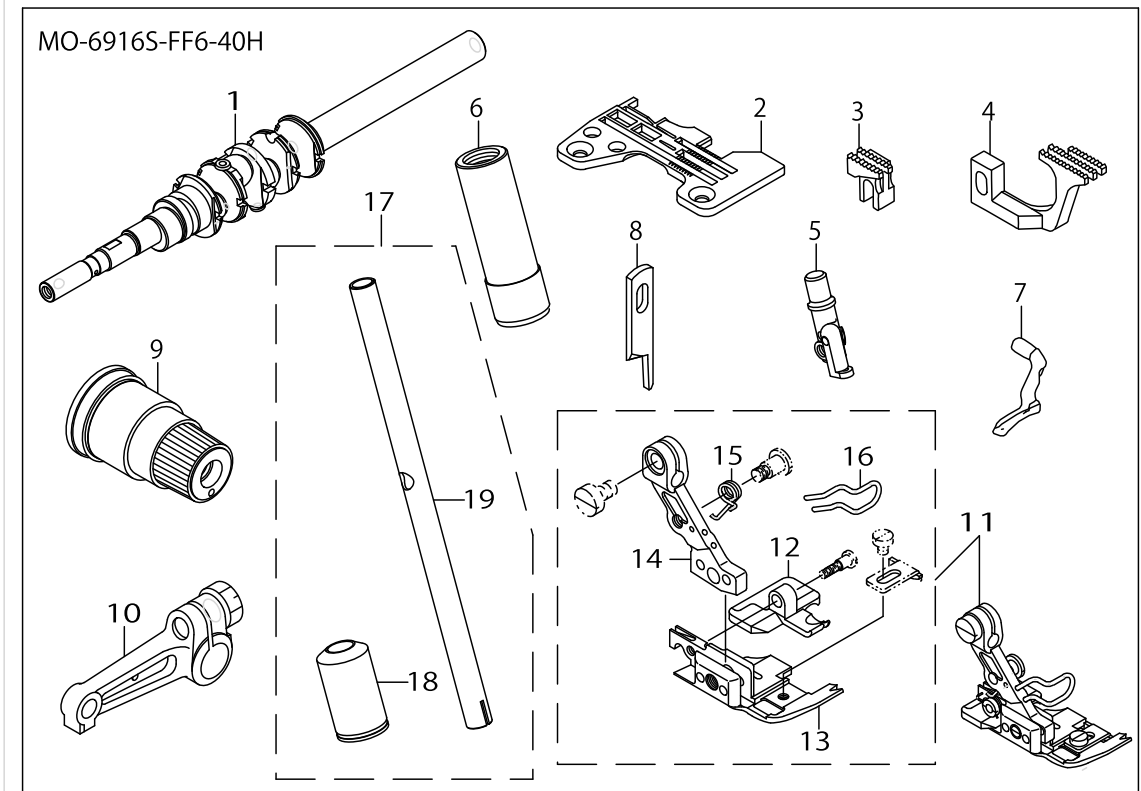
MO-6900S SUBCLASSES (10)

No.	Supply Code	Parts No.	Replacement	Parts name	Remarks	Choice	Step	Level	Cons	Qty	Rep. QTY
1	R	13205158	40022782	CRANKSHAFT ASM.						1	1.00
2		11882602		MAIN FEED DOG						1	
3		11887304		AUXILIARY FEED DOG						1	
4		R4505J6ED00		THROAT PLATE						1	
5		13207600		NEEDLE HOLDER BUSHING, UPPER						1	
6		11991908		UPPER LOOPER						1	
7	R	12275608	12150009	NEEDLE CLAMP, CHAIN LOOPER						1	1.00
8		13137559		THREAD TENSION SPRING JUNCTION						1	
9		13131156		UPPER LOOPER ARM B ASM.						1	
10		12153961		PRESSER FOOT ASM.						1	
11		12157202		PRESSER FOOT HINGE				*		1	
12		12162400		PRESSER FOOT				*		1	
13	R	12165007	12153961	REAR PRESSER FOOT				*		1	1.00
14		12168308		PRESSER FOOT ARM SPRING, (C)				*		1	
15		13210059		NEEDLE HOLDER (B) ASM.						1	
16	R	13207709	13208350	NEEDLE HOLDER BUSHING, LOWER				*		1	1.00
17		13210000		NEEDLE HOLDER (B)				*		1	



MO-6900S SUBCLASSES (11)

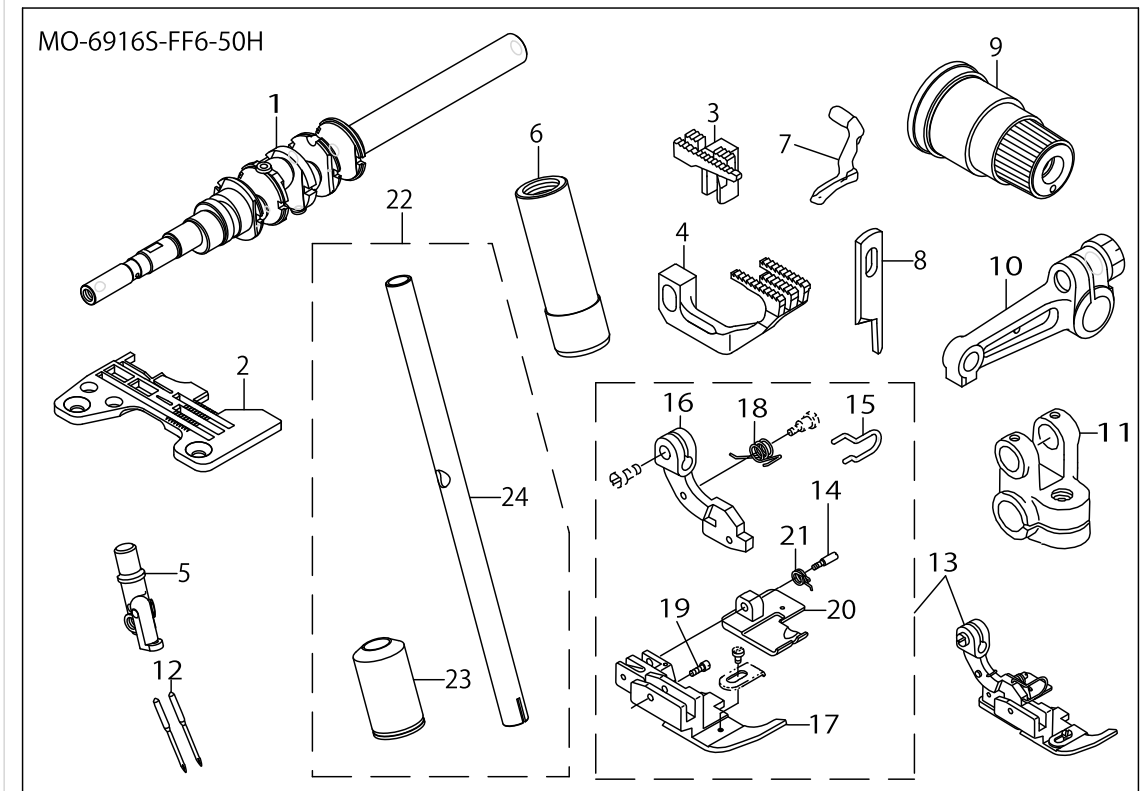
No.	Supply Code	Parts No.	Replacement	Parts name	Remarks	Choice	Step	Level	Cons	Qty	Rep. QTY
1	R	13205158	40022782	CRANKSHAFT ASM.						1	1.00
2		13207600		NEEDLE HOLDER BUSHING,UPPER						1	
3		13210059		NEEDLE HOLDER (B) ASM.						1	
4		13210000		NEEDLE HOLDER (B)				*		1	
5	R	13207709	13208350	NEEDLE HOLDER BUSHING,LOWER				*		1	1.00
6		13131156		UPPER LOOPER ARM B ASM.						1	
7		11991908		UPPER LOOPER						1	
8		13137559		THREAD TENSION SPRING JUNCTION						1	
9		11882909		MAIN FEED DOG						1	
10		12173209		DIFFERENTIAL FEED DOG						1	
11	R	13205158	40022782	CRANKSHAFT ASM.						1	1.00
12		13207600		NEEDLE HOLDER BUSHING,UPPER						1	
13		11991908		UPPER LOOPER						1	
14		13150503		KNIFE						1	
15		13137559		THREAD TENSION SPRING JUNCTION						1	
16		13131156		UPPER LOOPER ARM B ASM.						1	
17		R4608J6ED00		THROAT PLATE						1	
18		13210059		NEEDLE HOLDER (B) ASM						1	
19	R	13207709	13208350	NEEDLE HOLDER BUSHING,LOWER				*		1	1.00
20		13210000		NEEDLE HOLDER (B)				*		1	



MO-6900S SUBCLASSES (12)

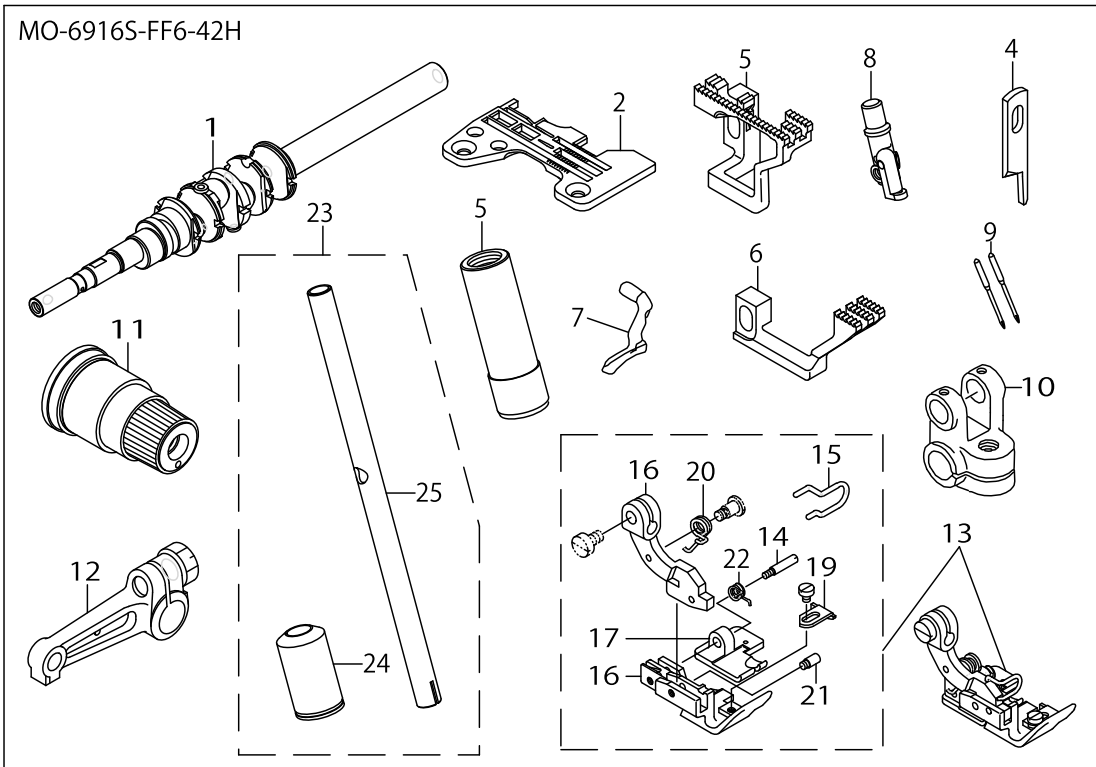
No.	Supply Code	Parts No.	Replacement	Parts name	Remarks	Choice	Step	Level	Cons	Qty	Rep. QTY
1	R	13205158	40022782	CRANKSHAFT ASM.						1	1.00
2		R4612J6FD00		THROAT PLATE						1	
3		11884004		MAIN FEED DOG						1	
4		12173308		DIFFERENTIAL FEED DOG						1	
5		12257507		NEEDLE CLAMP, CHAIN LOOPER						1	
6		13207600		NEEDLE HOLDER BUSHING UPPER						1	
7		11991908		UPPER LOOPER						1	
8		13150503		KNIFE						1	
9		13137559		THREAD TENSION SPRING JUNCTION						1	
10		13131156		UPPER LOOPER ARM B ASM.						1	
11		12154266		PRESSER FOOT ASM.						1	
12	R	12165304	12154266	REARPRESSERFOOT				*		1	1.00
13	R	12162707	12154266	PRESSER FOOT				*		1	1.00
14		12157004		PRESSER FOOT HINGE				*		1	
15		12168001		PRESSER FOOT ARM SPRING, (B)				*		1	
16		12168209		FINGER GUARD				*		1	
17		13210059		NEEDLE HOLDER (B) ASM.						1	
18	R	13207709	13208350	NEEDLE HOLDER BUSHING,LOWER				*		1	1.00
19		13210000		NEEDLE HOLDER (B)				*		1	

MO-6900S SUBCLASSES (13)



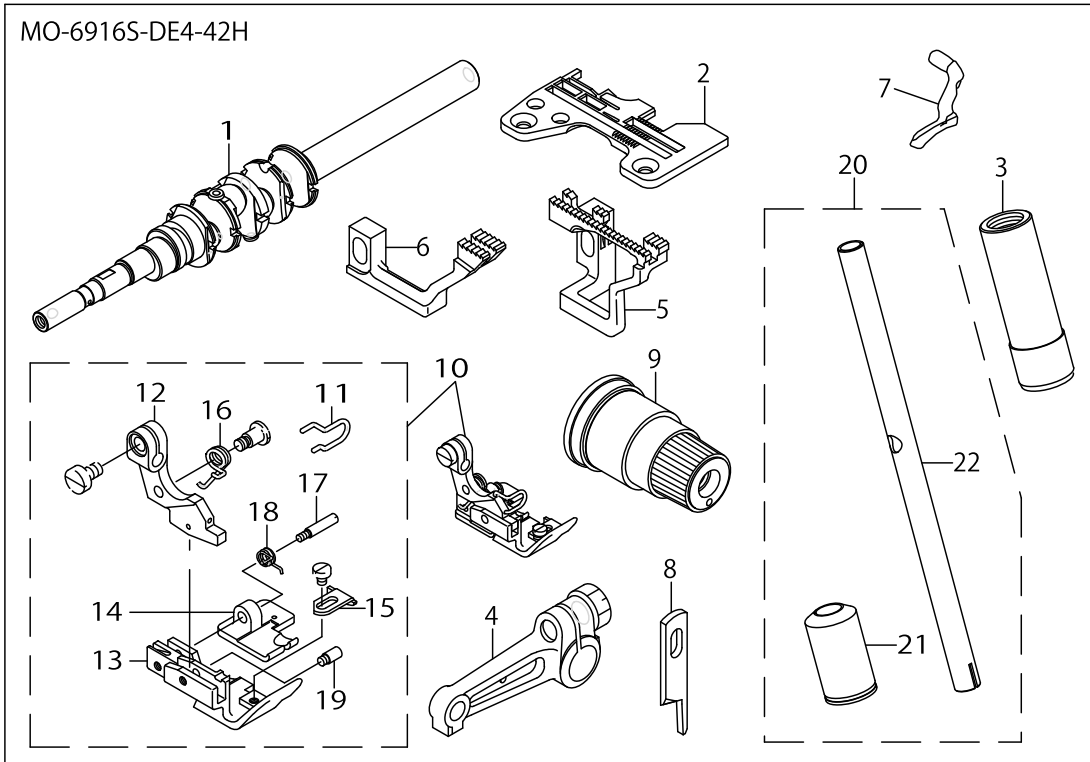
MO-6900S SUBCLASSES (13)

No.	Supply Code	Parts No.	Replacement	Parts name	Remarks	Choice	Step	Level	Cons	Qty	Rep. QTY
1	R	13205158	40022782	CRANKSHAFT ASM.						1	1.00
2		R4612J6FF00		THROAT PLATE						1	
3		11883006		MAIN FEED DOG						1	
4		12173506		DIFFERENTIAL FEED DOG						1	
5		12257507		NEEDLE CLAMP, CHAIN LOOPER						1	
6		13207600		NEEDLE HOLDER BUSHING,UPPER						1	
7		11991908		UPPER LOOPER						1	
8		13150503		KNIFE						1	
9		13137559		THREAD TENSION SPRING JUNCTION						1	
10		13131156		UPPER LOOPER ARM B ASM.						1	
11		12119210		FORKED CRANK						1	
12		MDC270B1600		NEEDLE DCX27 #16						2	
13		11991189		PRESSER FOOT ASM.						1	
14		11930807		HINGE PIN				*		1	
15		11821303		FINGER GUARD				*		1	
16		11991023		PRESSER FOOT HINGE				*		1	
17		11991114		HINGED TYPE PRESSER FOOT				*		1	
18		B151581600B		PRESSER FOOT ARM SPRING B				*		1	
19		11993508		PRESSER FOOT HINGE PIN				*		1	
20		11991205		REARPRESSERFOOT				*		1	
21		11991304		SPRING				*		1	
22		13210059		NEEDLE HOLDER (B) ASM.						1	
23	R	13207709	13208350	NEEDLE HOLDER BUSHING,LOWER				*		1	1.00
24		13210000		NEEDLE HOLDER (B)				*		1	



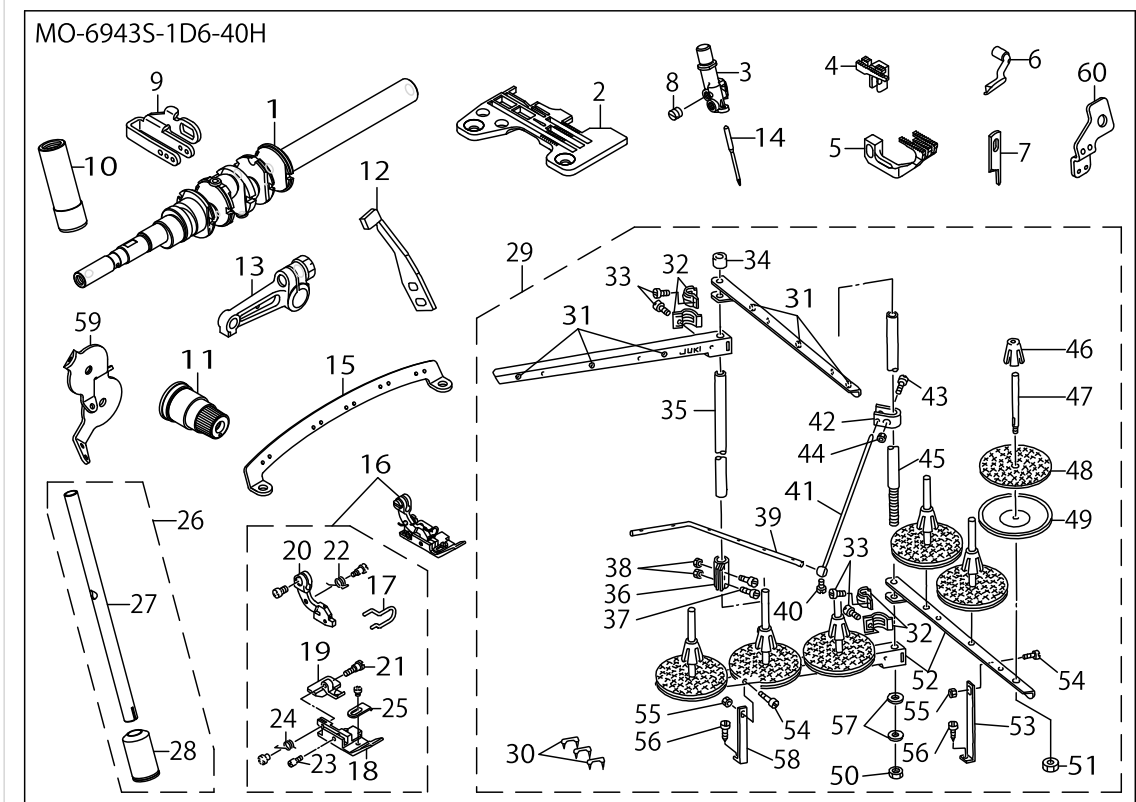
MO-6900S SUBCLASSES (14)

No.	Supply Code	Parts No.	Replacement	Parts name	Remarks	Choice	Step	Level	Cons	Qty	Rep. QTY
1	R	13205158	40022782	CRANKSHAFT ASM.						1	1.00
2		R4612J6FD0A		THROAT PLATE						1	
3		13207600		NEEDLE HOLDER BUSHING						1	
4		13150503		KNIFE						1	
5		12170908		MAIN FEED DOG						1	
6		12174504		DIFFERENTIAL FEED DOG						1	
7		11991908		UPPER LOOPER						1	
8		12257507		NEEDLE CLAMP, CHAIN LOOPER						1	
9		MDC270B1400		NEEDLE DCX27 #14						2	
10		12119210		FORKED CRANK						1	
11		13137559		THREAD TENSION SPRING JUNCTION						1	
12		13131156		UPPER LOOPER ARM B ASM.						1	
13		12154860		PRESSER FOOT ASM.						1	
14		11930807		HINGE PIN				*		1	
15		11821303		FINGER GUARD				*		1	
16	R	12163309	12154860	PRESSER FOOT				*		1	1.00
17		11991205		REARPRESSERFOOT				*		1	
18		11991023		PRESSER FOOT HINGE				*		1	
19		12168100		CLOTH GUIDE				*		1	
20		B151581600B		PRESSER FOOT ARM SPRING B				*		1	
21		11993508		PRESSER FOOT HINGE PIN				*		1	
22		11991304		SPRING				*		1	
23		13210059		NEEDLE HOLDER (B) ASM.						1	
24	R	13207709	13208350	NEEDLE HOLDER BUSHING,LOWER				*		1	1.00
25		13210000		NEEDLE HOLDER (B)				*		1	



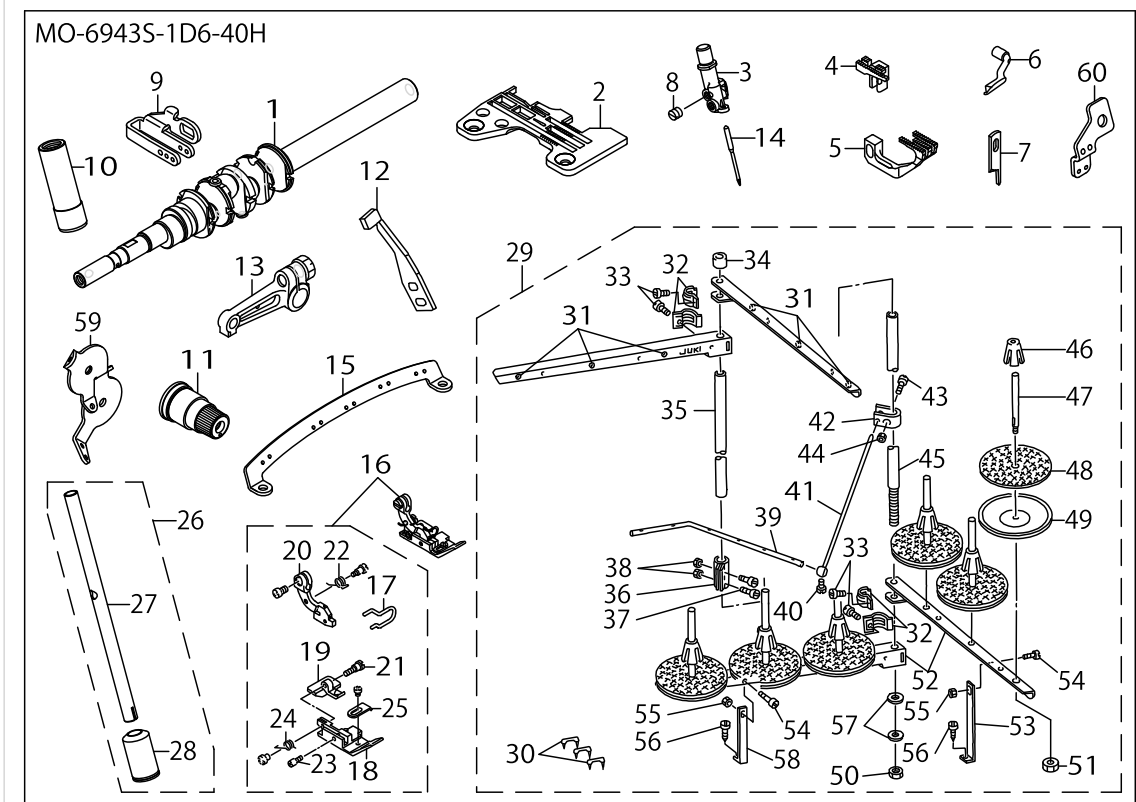
MO-6900S SUBCLASSES (15)

No.	Supply Code	Parts No.	Replacement	Parts name	Remarks	Choice	Step	Level	Cons	Qty	Rep. QTY
1	R	13205158	40022782	CRANKSHAFT ASM.						1	1.00
2		R4508J6ED0B		THROAT PLATE						1	
3		13207600		NEEDLE HOLDER BUSHING,UPPER						1	
4		13131156		UPPER LOOPER ARM B ASM.						1	
5		12170700		MAIN FEED DOG						1	
6		12172904		DIFFERENTIAL FEED DOG						1	
7		11991908		UPPER LOOPER						1	
8		13150503		KNIFE						1	
9		13137559		THREAD TENSION SPRING JUNCTION						1	
10		12154662		PRESSER FOOT ASM.						1	
11		11821303		FINGER GUARD				*		1	
12		12157103		PRESSER FOOT HINGE				*		1	
13	D	12163101		FRONT PRESSER FOOT				*		1	
14		12165502		REARPRESSERFOOT				*		1	
15		12168100		CLOTH GUIDE				*		1	
16		B1515816000		PRESSER FOOT ARM SPRING				*		1	
17		11930807		HINGE PIN				*		1	
18		11991304		SPRING				*		1	
19		11993508		PRESSER FOOT HINGE PIN				*		1	
20		13210059		NEEDLE HOLDER (B) ASM.						1	
21	R	13207709	13208350	NEEDLE HOLDER BUSHING,LOWER				*		1	1.00
22		13210000		NEEDLE HOLDER (B)				*		1	



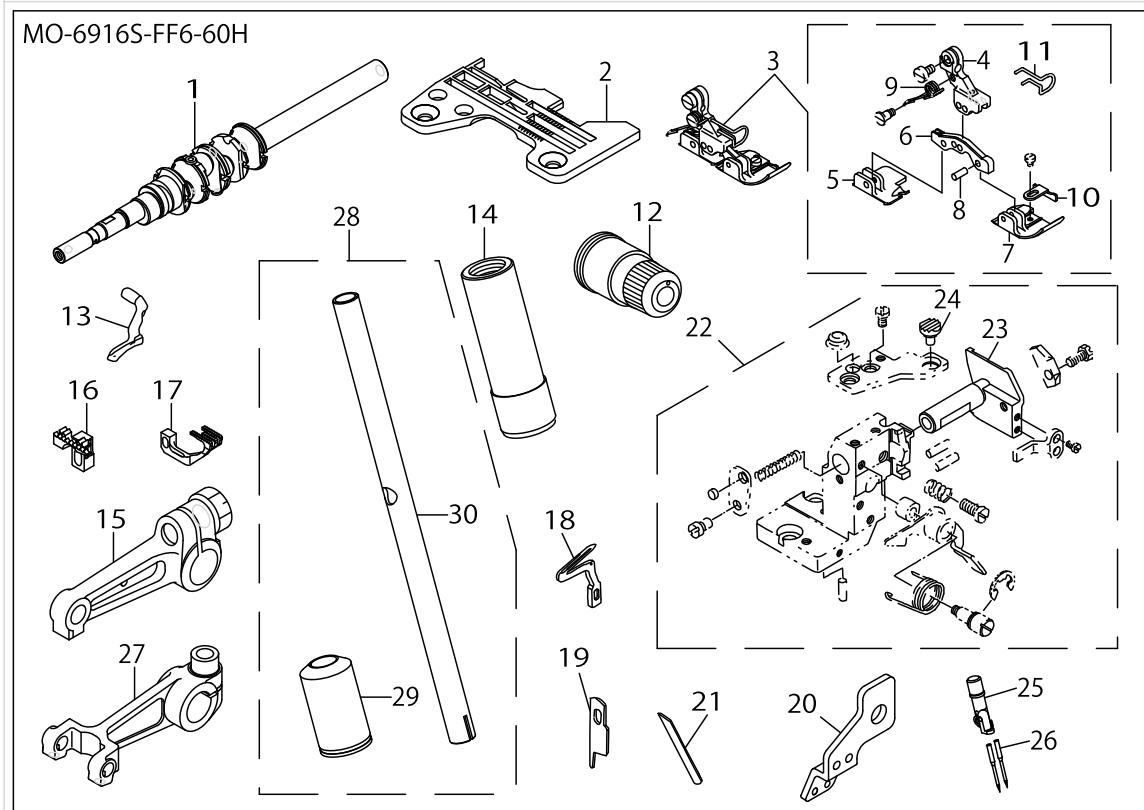
MO-6900S SUBCLASSES (16)

No.	Supply Code	Parts No.	Replacement	Parts name	Remarks	Choice	Step	Level	Cons	Qty	Rep. QTY
1	R	13205158	40022782	CRANKSHAFT						1	1.00
2		R4612J6DE01		THROAT PLATE						1	
3		12275004		CHAIN LOOPER NEEDLE CLAMP						1	
4		11884004		MAIN FEED DOG						1	
5		12173308		DIFFERENTIAL FEED DOG						1	
6		12176103		UPPER LOOPER						1	
7		13150503		KNIFE						1	
8		SS8080310TP		SCREW 1/8-44 L=2.8						1	
9		13209002		NEEDLE THREAD G- UIDE, 3-NEEDLE						1	
10		13207600		NEEDLE HOLDER BUSHING,UPPER						1	
11		13137559		THREAD TENSION SPRING JUNCTION						1	
12		11999406		NEEDLE HOLDER						1	
13		13131156		UPPER LOOPER ARM ASM.						1	
14		MDC270B1100		NEEDLE DCX27 #11						1	
15		13225206		THREAD GUIDE						1	
16		11878063		PRESSER FOOT ASM.						1	
17		11821303		FINGER GUARD				*		1	
18	R	B1507843F00	B1507843FB0	PRESSER FOOT				*		1	1.00
19		11875507		REARPRESSERFOOT				*		1	
20		11872207		PRESSER FOOT HINGE				*		1	
21		B1511816000		HINGE SCREW				*		1	
22		B151581600B		PRESSER FOOT ARM SPRING B				*		1	
23		B1510816000		HINGE PIN				*		1	
24		B1512816000		SPRING, FOR REAR PRESSER FOOT				*		1	
25		B1530816D00		AUXILIARY STOPPER				*		1	
26		13210059		NEEDLE HOLDER (B) ASM.						1	
27		13210000		NEEDLE HOLDER (B)				*		1	
28	R	13207709	13208350	NEEDLE HOLDER BUSHING,LOWER				*		1	1.00
29	R	11969854	40106586	THREAD STAND ASM.						1	1.00
30		MAO11532000		CORD STAPLE				*		3	
31	R	B3319704L00	22931208	THREAD GUIDE				*		6	1.00
32	R	B3318704L00	B3318704L00A	THREAD GUIDE ARM JOINT				*		4	1.00
33		SM6061610SC		SCREW M6 L=16				*		4	
34	R	B3311704000	22931406	SPOOL REST ROD CAP				*		1	1.00
35	R	11185204	40096354	SPOOL REST ROD,UPPER				*		1	1.00
36	R	B3305704000A	40096354	SPOOL REST ROD JOINT				*		1	1.00
37		SM4051405SE		SCREW M5 L=14				*		2	
38		NM6050001SE		NUT M5				*		2	
39		B3311843000		LOWER THREAD GUIDE				*		1	
40		SS7110540SP		SCREW 11/64-40 L=5				*		1	
41	R	B3309704000	26910059	THREAD GUIDE ARM				*		1	1.00
42	D	B3304704000A		THREAD GUIDE ARM HOLDER				*		1	
43	D	SM6053000SE		SCREW M5X0.8 L=30				*		1	
44		NM6050001SE		NUT M5				*		1	
45	R	11185105	40096354	SPOOL REST ROD,LOWER				*		1	1.00



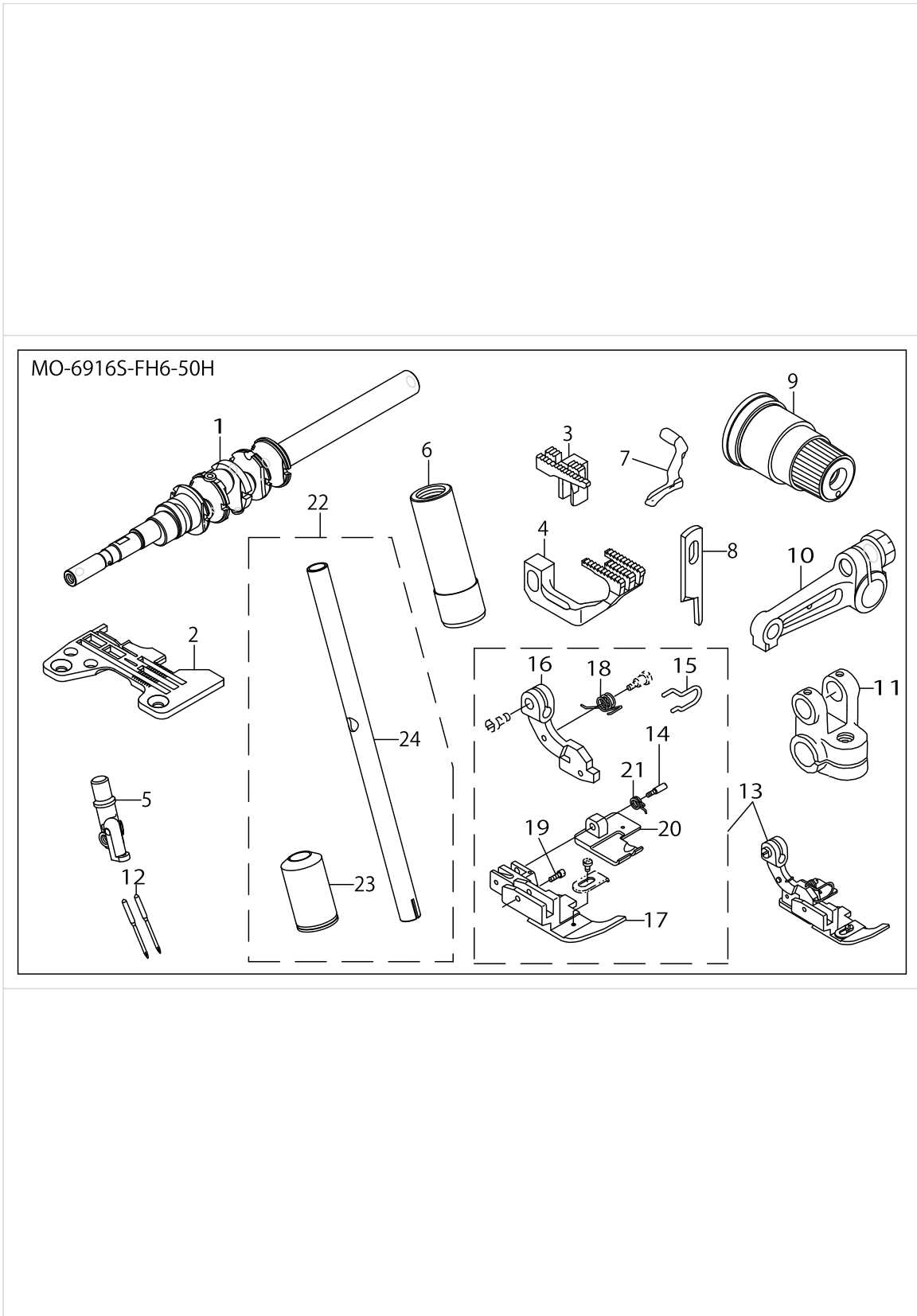
MO-6900S SUBCLASSES (16)

No.	Supply Code	Parts No.	Replacement	Parts name	Remarks	Choice	Step	Level	Cons	Qty	Rep. QTY
46	D	11185501		SPOOL RETAINER				*		6	
47	D	B3320704L00		SPOOL PIN				*		6	
48	D	B3311012000		SPOOL REST CUSHION				*		6	
49	R	11966504	22930804	SPOOL REST				*		6	1.00
50	R	B3317704000	NM6160511SE	NUT				*		1	1.00
51		NM6050001SE		NUT M5				*		6	
52	R	11969508	13168802	SPOOL REST ARM A				*		4	1.00
53	D	B3321704L0B		SPOOL REST ARM SUPPORT, B				*		1	
54		SM4061201SE		SCREW M6 L=12				*		2	
55		NM6060001SE		NUT M6				*		2	
56		SK3382001SE		SCREW D=3.8 L=20				*		2	
57		WP1612616SE		WASHER 16X30X2.6				*		2	
58		B3321704L00		SPOOL REST ARM SUPPORT, A				*		1	
59		13225305		TENSION DISK THREAD GUIDE						1	
60		13111604		LEVER GUIDE						1	



MO-6900S SUBCLASSES (17)

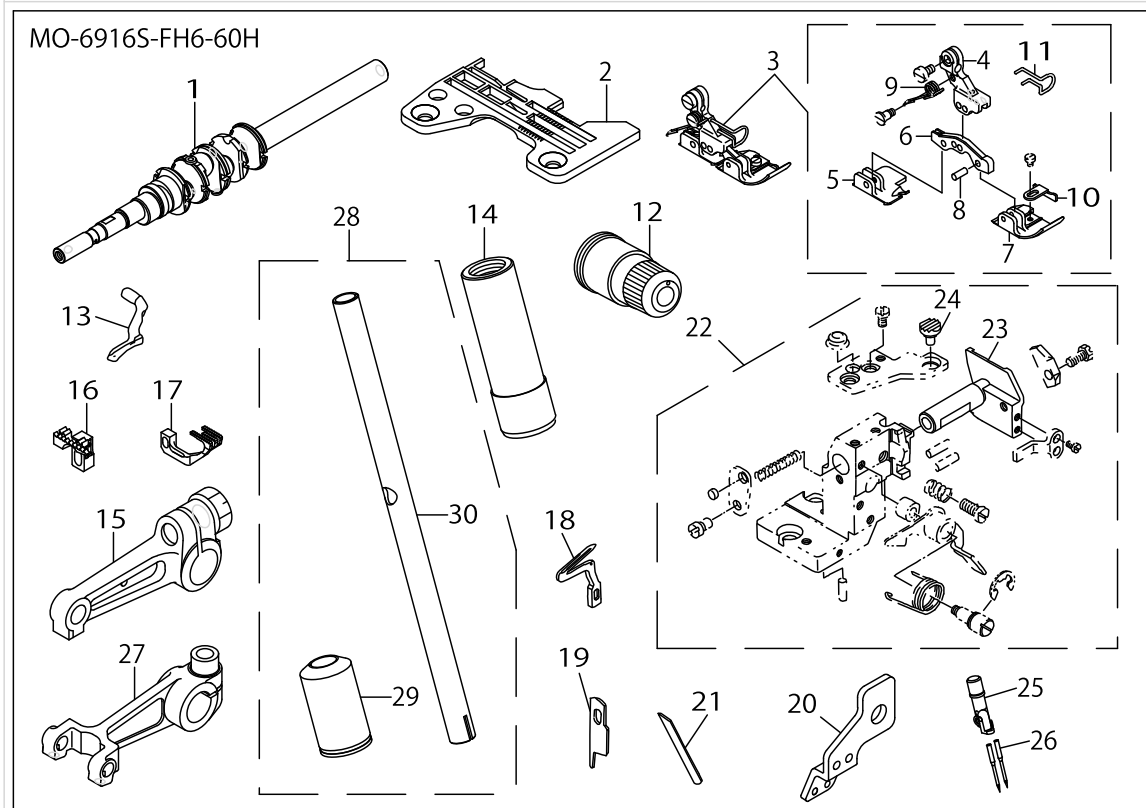
No.	Supply Code	Parts No.	Replacement	Parts name	Remarks	Choice	Step	Level	Cons	Qty	Rep. QTY
1	R	13205257	40022788	CRANKSHAFT						1	1.00
2		R4612J6FK00		THROAT PLATE						1	
3		12155560		PRESSER FOOT ASM.						1	
4		12157319		PRESSER FOOT HINGE ARM				*		1	
5		12165908		REARPRESSERFOOT				*		1	
6		12168407		PRESSER FOOT HINGE				*		1	
7	R	12164000	12155560	PRESSER FOOT				*		1	1.00
8		11930708		PRESSER FOOT HINGE PIN				*		3	
9		12168506		PRESSER FOOT ARM SPRING				*		1	
10		12168605		CLOTH GUIDE				*		1	
11		12168803		FINGER GUARD				*		1	
12	R	12255451	13140652	THREAD TENSION SPRING ASM.						2	1.00
13		12176202		UPPER LOOPER						1	
14		13207600		NEEDLE HOLDER BUSHING,UPPER						1	
15		13131156		UPPER LOOPER ARM B ASM.						1	
16		12171104		MAIN FEED DOG						1	
17		12174207		DIFFERENTIAL FEED DOG						1	
18		11999802		LOWER LOOPER						1	
19		12004909		KNIFE						1	
20		12112801		TAKE-UP LEVER GUIDE						1	
21		11566502		LOWER KNIFE						1	
22	R	13232855	12133682	LOWER KNIFE BRACKET ASM.						1	1.00
23	D	12133500		LOWER KNIFE SLIDE STUD				*		1	
24		13235304		VIBRATION-PROOF RUBBER (A)				*		1	
25		12150702		NEEDLE CLAMP, CHAIN LOOPER						1	
26		MDC270B2100		NEEDLE DCX27 #21						2	
27		13207956		NEEDLE DRIVING ARM ASM.						1	
28		13210059		NEEDLE HOLDER (B) ASM.						1	
29	R	13207709	13208350	NEEDLE HOLDER BUSHING,LOWER				*		1	1.00
30		13210000		NEEDLE HOLDER (B)				*		1	



MO-6900S SUBCLASSES (18)

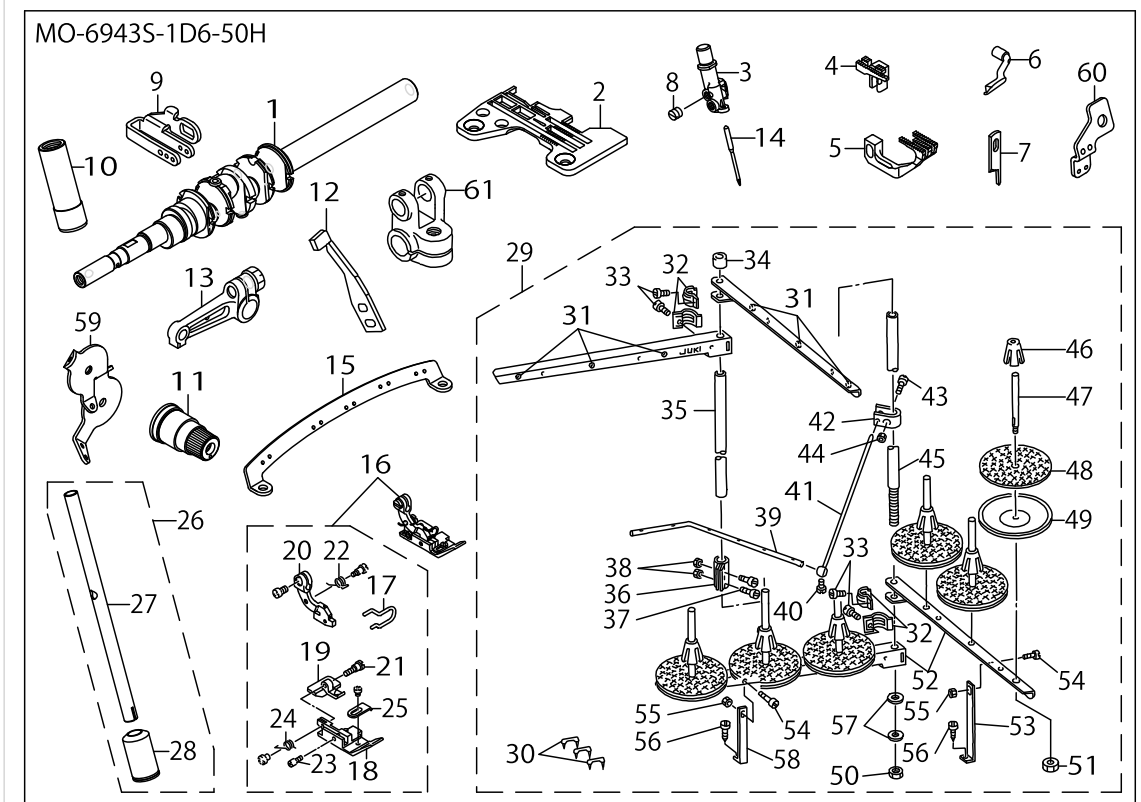
No.	Supply Code	Parts No.	Replacement	Parts name	Remarks	Choice	Step	Level	Cons	Qty	Rep. QTY
1	R	13205158	40022782	CRANKSHAFT ASM.						1	1.00
2		R4612J6HG00		THROAT PLATE						1	
3		11883006		MAIN FEED DOG						1	
4		12173506		DIFFERENTIAL FEED DOG						1	
5		12257507		NEEDLE CLAMP, CHAIN LOOPER						1	
6		13207600		NEEDLE HOLDER BUSHING,UPPER						1	
7		11991908		UPPER LOOPER						1	
8		13150503		KNIFE						1	
9		13137559		THREAD TENSION SPRING JUNCTION						1	
10		13131156		UPPER LOOPER ARM B ASM.						1	
11		12119210		FORKED CRANK						1	
12		MDC270B1600		NEEDLE DCX27 #16						2	
13		11991189		PRESSER FOOT ASM.						1	
14		11930807		HINGE PIN				*		1	
15		11821303		FINGER GUARD				*		1	
16		11991023		PRESSER FOOT HINGE				*		1	
17		11991114		HINGED TYPE PRESSER FOOT				*		1	
18		B151581600B		PRESSER FOOT ARM SPRING B				*		1	
19		11993508		PRESSER FOOT HINGE PIN				*		1	
20		11991205		REARPRESSERFOOT				*		1	
21		11991304		SPRING				*		1	
22		13210059		NEEDLE HOLDER (B) ASM.						1	
23	R	13207709	13208350	NEEDLE HOLDER BUSHING,LOWER				*		1	1.00
24		13210000		NEEDLE HOLDER (B)				*		1	

MO-6900S SUBCLASSES (19)



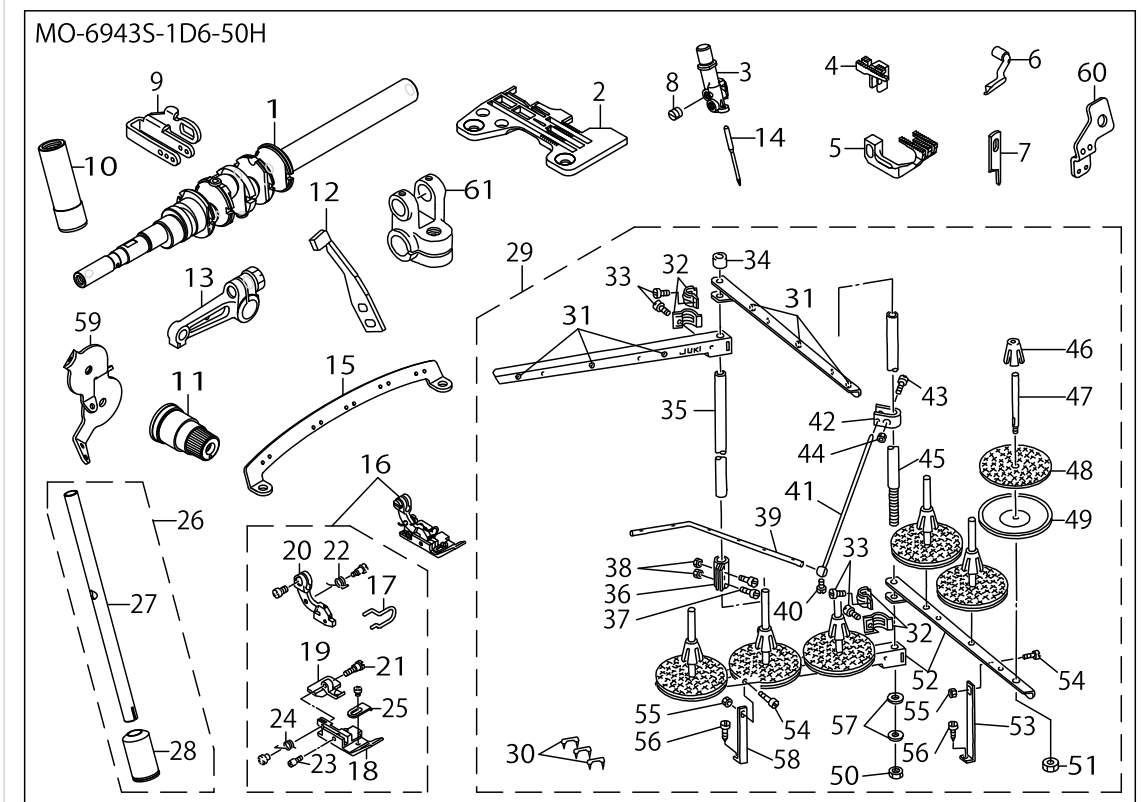
MO-6900S SUBCLASSES (19)

No.	Supply Code	Parts No.	Replacement	Parts name	Remarks	Choice	Step	Level	Cons	Qty	Rep. QTY
1	R	13205257	40022788	CRANKSHAFT						1	1.00
2		R4612J6HK00		THROAT PLATE						1	
3		12155560		PRESSER FOOT ASM.						1	
4		12157319		PRESSER FOOT HINGE ARM				*		1	
5		12165908		REARPRESSERFOOT				*		1	
6		12168407		PRESSER FOOT HINGE				*		1	
7	R	12164000	12155560	PRESSER FOOT				*		1	1.00
8		11930708		PRESSER FOOT HINGE PIN				*		3	
9		12168506		PRESSER FOOT ARM SPRING				*		1	
10		12168605		CLOTH GUIDE				*		1	
11		12168803		FINGER GUARD				*		1	
12	R	12255451	13140652	THREAD TENSION SPRING ASM.						2	1.00
13		12176202		UPPER LOOPER						1	
14		13207600		NEEDLE HOLDER BUSHING,UPPER						1	
15		13131156		UPPER LOOPER ARM B ASM.						1	
16		12171104		MAIN FEED DOG						1	
17		12174207		DIFFERENTIAL FEED DOG						1	
18		11999802		LOWER LOOPER						1	
19		12004909		KNIFE						1	
20		12112801		TAKE-UP LEVER GUIDE						1	
21		11566502		LOWER KNIFE						1	
22	R	13232855	12133682	LOWER KNIFE BRACKET ASM.						1	1.00
23	D	12133500		LOWER KNIFE SLIDE STUD				*		1	
24		13235304		VIBRATION-PROOF RUBBER (A)				*		1	
25		12150702		NEEDLE CLAMP, CHAIN LOOPER						1	
26		MDC270B2100		NEEDLE DCX27 #21						2	
27		13207956		NEEDLE DRIVING ARM ASM.						1	
28		13210059		NEEDLE HOLDER (B) ASM.						1	
29	R	13207709	13208350	NEEDLE HOLDER BUSHING,LOWER				*		1	1.00
30		13210000		NEEDLE HOLDER (B)				*		1	



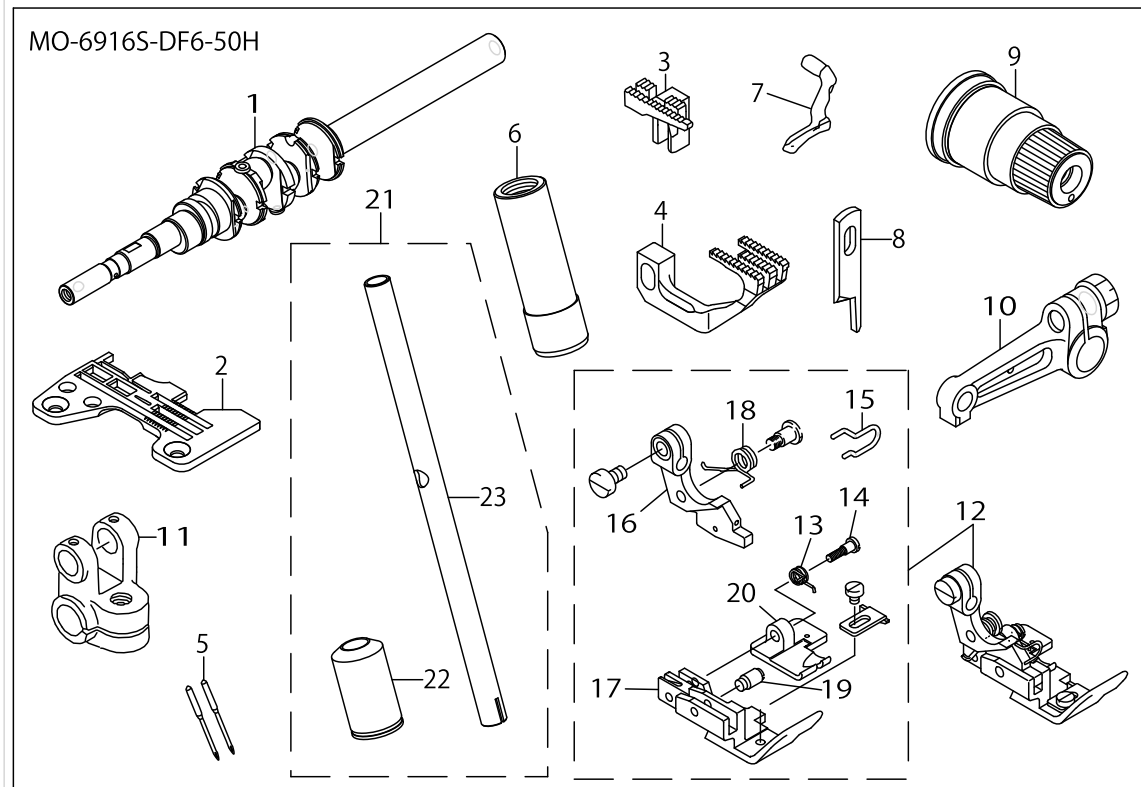
MO-6900S SUBCLASSES (20)

No.	Supply Code	Parts No.	Replacement	Parts name	Remarks	Choice	Step	Level	Cons	Qty	Rep. QTY
1	R	13205158	40022782	CRANKSHAFT						1	1.00
2		R4612J6DE03		THROAT PLATE						1	
3		12275004		CHAIN LOOPER NEEDLE CLAMP						1	
4		11883006		MAIN FEED DOG						1	
5		12173506		DIFFERENTIAL FEED DOG						1	
6		12176004		UPPER LOOPER						1	
7		13150503		KNIFE						1	
8		SS8080310TP		SCREW 1/8-44 L=2.8						1	
9		13209002		NEEDLE THREAD G- UIDE, 3-NEEDLE						1	
10		13207600		NEEDLE HOLDER BUSHING,UPPER						1	
11		13137559		THREAD TENSION SPRING JUNCTION						1	
12		11999406		NEEDLE HOLDER						1	
13		13131156		UPPER LOOPER ARM ASM.						1	
14		MDC270B1400		NEEDLE DCX27 #14						1	
15		13225206		THREAD GUIDE						1	
16		11878063		PRESSER FOOT ASM.						1	
17		11821303		FINGER GUARD				*		1	
18	R	B1507843F00	B1507843FB0	PRESSER FOOT				*		1	1.00
19		11875507		REARPRESSERFOOT				*		1	
20		11872207		PRESSER FOOT HINGE				*		1	
21		B1511816000		HINGE SCREW				*		1	
22		B151581600B		PRESSER FOOT ARM SPRING B				*		1	
23		B1510816000		HINGE PIN				*		1	
24		B1512816000		SPRING, FOR REAR PRESSER FOOT				*		1	
25		B1530816D00		AUXILIARY STOPPER				*		1	
26		13210059		NEEDLE HOLDER (B) ASM.						1	
27		13210000		NEEDLE HOLDER (B)				*		1	
28	R	13207709	13208350	NEEDLE HOLDER BUSHING,LOWER				*		1	1.00
29	R	11969854	40106586	THREAD STAND ASM.						1	1.00
30		MAO11532000		CORD STAPLE				*		3	
31	R	B3319704L00	22931208	THREAD GUIDE				*		6	1.00
32	R	B3318704L00	B3318704L00A	THREAD GUIDE ARM JOINT				*		4	1.00
33		SM6061610SC		SCREW M6 L=16				*		4	
34	R	B3311704000	22931406	SPOOL REST ROD CAP				*		1	1.00
35	R	11185204	40096354	SPOOL REST ROD,UPPER				*		1	1.00
36	R	B3305704000A	40096354	SPOOL REST ROD JOINT				*		1	1.00
37		SM4051405SE		SCREW M5 L=14				*		2	
38		NM6050001SE		NUT M5				*		2	
39		B3311843000		LOWER THREAD GUIDE				*		1	
40		SS7110540SP		SCREW 11/64-40 L=5				*		1	
41	R	B3309704000	26910059	THREAD GUIDE ARM				*		1	1.00
42	D	B3304704000A		THREAD GUIDE ARM HOLDER				*		1	
43	D	SM6053000SE		SCREW M5X0.8 L=30				*		1	
44		NM6050001SE		NUT M5				*		1	
45	R	11185105	40096354	SPOOL REST ROD,LOWER				*		1	1.00



MO-6900S SUBCLASSES (20)

No.	Supply Code	Parts No.	Replacement	Parts name	Remarks	Choice	Step	Level	Cons	Qty	Rep. QTY
46	D	11185501		SPOOL RETAINER				*		6	
47	D	B3320704L00		SPOOL PIN				*		6	
48	D	B3311012000		SPOOL REST CUSHION				*		6	
49	R	11966504	22930804	SPOOL REST				*		6	1.00
50	R	B3317704000	NM6160511SE	NUT				*		1	1.00
51		NM6050001SE		NUT M5				*		6	
52	R	11969508	13168802	SPOOL REST ARM A				*		4	1.00
53	D	B3321704L0B		SPOOL REST ARM SUPPORT, B				*		1	
54		SM4061201SE		SCREW M6 L=12				*		2	
55		NM6060001SE		NUT M6				*		2	
56		SK3382001SE		SCREW D=3.8 L=20				*		2	
57		WP1612616SE		WASHER 16X30X2.6				*		2	
58		B3321704L00		SPOOL REST ARM SUPPORT, A				*		1	
59		13225305		TENSION DISK THREAD GUIDE						1	
60		13111604		LEVER GUIDE						1	
61		12119210		FORKED CRANK						1	



MO-6900S SUBCLASSES (21)

No.	Supply Code	Parts No.	Replacement	Parts name	Remarks	Choice	Step	Level	Cons	Qty	Rep. QTY
1	R	13205158	40022782	CRANKSHAFT ASM.						1	1.00
2		R4608J6FG00		THROAT PLATE						1	
3		11884400		MAIN FEED DOG						1	
4		12173506		DIFFERENTIAL FEED DOG						1	
5		MDC270B1600		NEEDLE DCX27 #16						2	
6		13207600		NEEDLE HOLDER BUSHING,UPPER						1	
7		11991908		UPPER LOOPER						1	
8		13150503		KNIFE						1	
9		13137559		THREAD TENSION SPRING JUNCTION						1	
10		13131156		UPPER LOOPER ARM B ASM.						1	
11		12119210		FORKED CRANK						1	
12		12154464		PRESSER FOOT ASM.						1	
13		11991304		SPRING				*		1	
14		11930807		HINGE PIN				*		1	
15		11820800		FINGER GUARD				*		1	
16		12157103		PRESSER FOOT HINGE				*		1	
17		12162905		PRESSER FOOT				*		1	
18		B1515816000		PRESSER FOOT ARM SPRING				*		1	
19		11993508		PRESSER FOOT HINGE PIN				*		1	
20		12165502		REARPRESSERFOOT				*		1	
21		13210059		NEEDLE HOLDER (B) ASM.						1	
22	R	13207709	13208350	NEEDLE HOLDER BUSHING,LOWER				*		1	1.00
23		13210000		NEEDLE HOLDER (B)				*		1	

HOW TO MAKE USE OF THIS PARTS LIST

1.As to "#01" and "#02" refer to the "Note" given at the bottom of the respective pages.

2.Codes on the "Qty" column

- Each numeral indicates the number of parts required.
- "0.1" and "2.5" indicate the length (in meters) of the respective parts.

3.Parentheses mean that the corresponding part is a subpart that constructs an assembly part.

4.Dotted lines on the Figures indicate assembly parts.

1. リストページの# 0 1、# 0 2の印は、ページ下の"注記"の説明を参照下さい。
2. 数量欄の数字は、個数を表し、0. 1、2. 5等の数値は、長さ（単位メートル）を表します。
3. 数量欄の（ ）は、組部品を構成している子部品であることを意味します。
4. イラストページの-----枠は、組構成であることを意味します。

NUMERICAL INDEX OF PARTS

PART NO	PAGE	REF NO.	PART NO	PAGE	REF NO.	PART NO	PAGE	REF NO.
11185105	32	45	11887304	20	3	11993508	26	19
11185105	42	45	11890407	18	14	11993508	28	21
11185204	32	35	11930708	36	8	11993508	30	19
11185204	42	35	11930708	40	8	11993508	38	19
11185501	34	46	11930807	26	14	11993508	46	19
11185501	44	46	11930807	28	14	11999406	32	12
11566502	36	21	11930807	30	17	11999406	42	12
11566502	40	21	11930807	38	14	11999802	36	18
11597101	10	3	11930807	46	14	11999802	40	18
11597101	12	3	11966504	34	49	12004909	36	19
11790706	18	5	11966504	44	49	12004909	40	19
11820800	46	15	11969508	34	52	12104709	8	10
11821303	26	15	11969508	44	52	12105557	8	12
11821303	28	15	11969854	32	29	12112504	2	6
11821303	30	11	11969854	42	29	12112603	2	7
11821303	32	17	11984457	18	2	12112702	2	5
11821303	38	15	11991023	26	16	12112801	36	20
11821303	42	17	11991023	28	18	12112801	40	20
11872207	32	20	11991023	38	16	12119210	26	11
11872207	42	20	11991114	26	17	12119210	28	10
11873007	4	6	11991114	38	17	12119210	38	11
11873007	6	12	11991189	26	13	12119210	44	61
11874807	8	14	11991189	38	13	12119210	46	11
11875507	32	19	11991205	26	20	12133500	36	23
11875507	42	19	11991205	28	17	12133500	40	23
11876364	4	5	11991205	38	20	12149308	18	1
11876463	6	11	11991304	26	21	12150702	36	25
11878063	32	16	11991304	28	22	12150702	40	25
11878063	42	16	11991304	30	18	12152963	14	12
11879269	16	14	11991304	38	21	12153961	20	10
11882206	4	3	11991304	46	13	12154266	24	11
11882503	18	4	11991908	2	14	12154464	46	12
11882602	20	2	11991908	4	7	12154662	30	10
11882909	22	9	11991908	6	14	12154860	28	13
11883006	26	3	11991908	8	5	12155560	36	3
11883006	38	3	11991908	20	6	12155560	40	3
11883006	42	4	11991908	22	13	12157004	24	14
11883303	6	3	11991908	24	7	12157103	30	12
11883501	16	3	11991908	26	7	12157103	46	16
11884004	24	3	11991908	28	7	12157202	20	11
11884004	32	4	11991908	30	7	12157319	36	4
11884400	46	3	11991908	38	7	12157319	40	4
11885100	4	4	11991908	46	7	12158002	14	15
11885605	6	4	11992104	8	15	12160305	14	14
11887205	18	6	11992161	8	13	12160909	14	13

NUMERICAL INDEX OF PARTS

PART NO	PAGE	REF NO.	PART NO	PAGE	REF NO.	PART NO	PAGE	REF NO.
12162400	20	12	12176103	12	21	13137559	20	8
12162707	24	13	12176103	14	9	13137559	22	15
12162905	46	17	12176103	16	12	13137559	24	9
12163101	30	13	12176103	18	7	13137559	26	9
12163309	28	16	12176103	32	6	13137559	28	11
12164000	36	7	12176202	36	13	13137559	30	9
12164000	40	7	12176202	40	13	13137559	32	11
12165007	20	13	12255451	36	12	13137559	38	9
12165304	24	12	12255451	40	12	13137559	42	11
12165502	30	14	12257507	24	5	13137559	46	9
12165502	46	20	12257507	26	5	13138359	8	8
12165908	36	5	12257507	28	8	13150503	22	14
12165908	40	5	12257507	38	5	13150503	24	8
12168001	24	15	12275004	32	3	13150503	26	8
12168100	28	19	12275004	42	3	13150503	28	4
12168100	30	15	12275509	10	9	13150503	30	8
12168209	24	16	12275608	20	7	13150503	32	7
12168308	20	14	13111604	34	60	13150503	38	8
12168407	36	6	13111604	44	60	13150503	42	7
12168407	40	6	13131057	10	12	13150503	46	8
12168506	36	9	13131156	2	16	13150602	8	17
12168506	40	9	13131156	4	9	13205158	2	17
12168605	36	10	13131156	6	9	13205158	4	1
12168605	40	10	13131156	8	7	13205158	6	1
12168803	36	11	13131156	20	9	13205158	8	1
12168803	40	11	13131156	22	16	13205158	10	22
12170700	30	5	13131156	24	10	13205158	12	13
12170908	28	5	13131156	26	10	13205158	14	1
12171104	36	16	13131156	28	12	13205158	16	1
12171104	40	16	13131156	30	4	13205158	20	1
12171500	10	23	13131156	32	13	13205158	22	11
12172003	10	15	13131156	36	15	13205158	24	1
12172904	30	6	13131156	38	10	13205158	26	1
12173209	22	10	13131156	40	15	13205158	28	1
12173308	24	4	13131156	42	13	13205158	30	1
12173308	32	5	13131156	46	10	13205158	32	1
12173506	26	4	13132006	2	15	13205158	38	1
12173506	38	4	13132006	4	8	13205158	42	1
12173506	42	5	13132006	6	8	13205158	46	1
12173506	46	4	13132006	8	6	13205257	36	1
12174207	36	17	13132006	10	21	13205257	40	1
12174207	40	17	13132006	12	17	13207600	2	13
12174504	28	6	13132006	14	7	13207600	4	10
12176004	42	6	13132006	16	13	13207600	6	15
12176103	10	25	13132006	18	12	13207600	8	16

NUMERICAL INDEX OF PARTS

PART NO	PAGE	REF NO.	PART NO	PAGE	REF NO.	PART NO	PAGE	REF NO.
13207600	10	24	13210000	10	17	13224159	16	10
13207600	12	14	13210000	12	19	13225206	32	15
13207600	14	16	13210000	14	3	13225206	42	15
13207600	16	5	13210000	16	20	13225305	34	59
13207600	18	10	13210000	20	17	13225305	44	59
13207600	20	5	13210000	22	20	13232855	36	22
13207600	22	12	13210000	24	19	13232855	40	22
13207600	24	6	13210000	26	24	13235304	36	24
13207600	26	6	13210000	28	25	13235304	40	24
13207600	28	3	13210000	30	22	40015637	18	11
13207600	30	3	13210000	32	27	40023276	18	8
13207600	32	10	13210000	36	30	B1507814B0B	16	15
13207600	36	14	13210000	38	24	B1507843F00	32	18
13207600	38	6	13210000	40	30	B1507843F00	42	18
13207600	40	14	13210000	42	27	B1509804C0A	6	13
13207600	42	10	13210000	46	23	B1509814B0B	16	17
13207600	46	6	13210059	2	18	B1510816000	32	23
13207709	2	20	13210059	4	11	B1510816000	42	23
13207709	4	13	13210059	6	5	B1511816000	32	21
13207709	6	7	13210059	8	2	B1511816000	42	21
13207709	8	4	13210059	10	16	B1512816000	32	24
13207709	10	18	13210059	12	18	B1512816000	42	24
13207709	12	20	13210059	14	2	B1515816000	30	16
13207709	14	4	13210059	16	18	B1515816000	46	18
13207709	16	19	13210059	18	9	B151581600B	26	18
13207709	20	16	13210059	20	15	B151581600B	28	20
13207709	22	19	13210059	22	18	B151581600B	32	22
13207709	24	18	13210059	24	17	B151581600B	38	18
13207709	26	23	13210059	26	22	B151581600B	42	22
13207709	28	24	13210059	28	23	B1530816D00	32	25
13207709	30	21	13210059	30	20	B1530816D00	42	25
13207709	32	28	13210059	32	26	B1531814000	16	16
13207709	36	29	13210059	36	28	B1657814B0E	10	4
13207709	38	23	13210059	38	22	B1657814B0E	12	4
13207709	40	29	13210059	40	28	B1657814B0F	16	4
13207709	42	28	13210059	42	26	B3304704000A	32	42
13207709	46	22	13210059	46	21	B3304704000A	42	42
13207956	36	27	13222203	10	20	B3305704000A	32	36
13207956	40	27	13222203	12	16	B3305704000A	42	36
13209002	32	9	13222203	14	11	B3309704000	32	41
13209002	42	9	13222203	16	11	B3309704000	42	41
13210000	2	19	13222203	18	13	B3311012000	34	48
13210000	4	12	13224159	10	19	B3311012000	44	48
13210000	6	6	13224159	12	15	B3311704000	32	34
13210000	8	3	13224159	14	10	B3311704000	42	34

NUMERICAL INDEX OF PARTS

PART NO	PAGE	REF NO.	PART NO	PAGE	REF NO.
B3311843000	32	39	R4508J6ED0B	30	2
B3311843000	42	39	R4608J6ED00	22	17
B3317704000	34	50	R4608J6FG00	46	2
B3317704000	44	50	R4612J6DE01	32	2
B3318704L00	32	32	R4612J6DE03	42	2
B3318704L00	42	32	R4612J6FD00	24	2
B3319704L00	32	31	R4612J6FD0A	28	2
B3319704L00	42	31	R4612J6FF00	26	2
B3320704L00	34	47	R4612J6FK00	36	2
B3320704L00	44	47	R4612J6HG00	38	2
B3321704L00	34	58	R4612J6HK00	40	2
B3321704L00	44	58	SK3382001SE	34	56
B3321704LOB	34	53	SK3382001SE	44	56
B3321704LOB	44	53	SM4051405SE	32	37
MAL121000A0	8	11	SM4051405SE	42	37
MAO11532000	32	30	SM4061201SE	34	54
MAO11532000	42	30	SM4061201SE	44	54
MAQ141000A0	14	17	SM6053000SE	32	43
MAQ141000A0	16	7	SM6053000SE	42	43
MDC270B0900	8	9	SM6061610SC	32	33
MDC270B1100	32	14	SM6061610SC	42	33
MDC270B1400	6	10	SS7091110TP	14	6
MDC270B1400	14	8	SS7091110TP	16	8
MDC270B1400	16	6	SS7110540SP	32	40
MDC270B1400	28	9	SS7110540SP	42	40
MDC270B1400	42	14	SS8080310TP	32	8
MDC270B1600	26	12	SS8080310TP	42	8
MDC270B1600	38	12	WP0371016SD	14	5
MDC270B1600	46	5	WP0371016SD	16	9
MDC270B2100	36	26	WP1612616SE	34	57
MDC270B2100	40	26	WP1612616SE	44	57
NM6050001SE	32	51			
NM6050001SE	34	51			
NM6050001SE	42	51			
NM6050001SE	44	51			
NM6060001SE	34	55			
NM6060001SE	44	55			
R4200J6ED0A	2	2			
R4205J6EE00	12	2			
R4206J6EE00	10	2			
R4300J6EE00	4	2			
R4300J6FE0B	6	2			
R4306J6FE00	18	3			
R4405J6EE00	16	2			
R4505J6ED00	20	4			