

MODEL : ACF-164-1800

List No : 1315-00

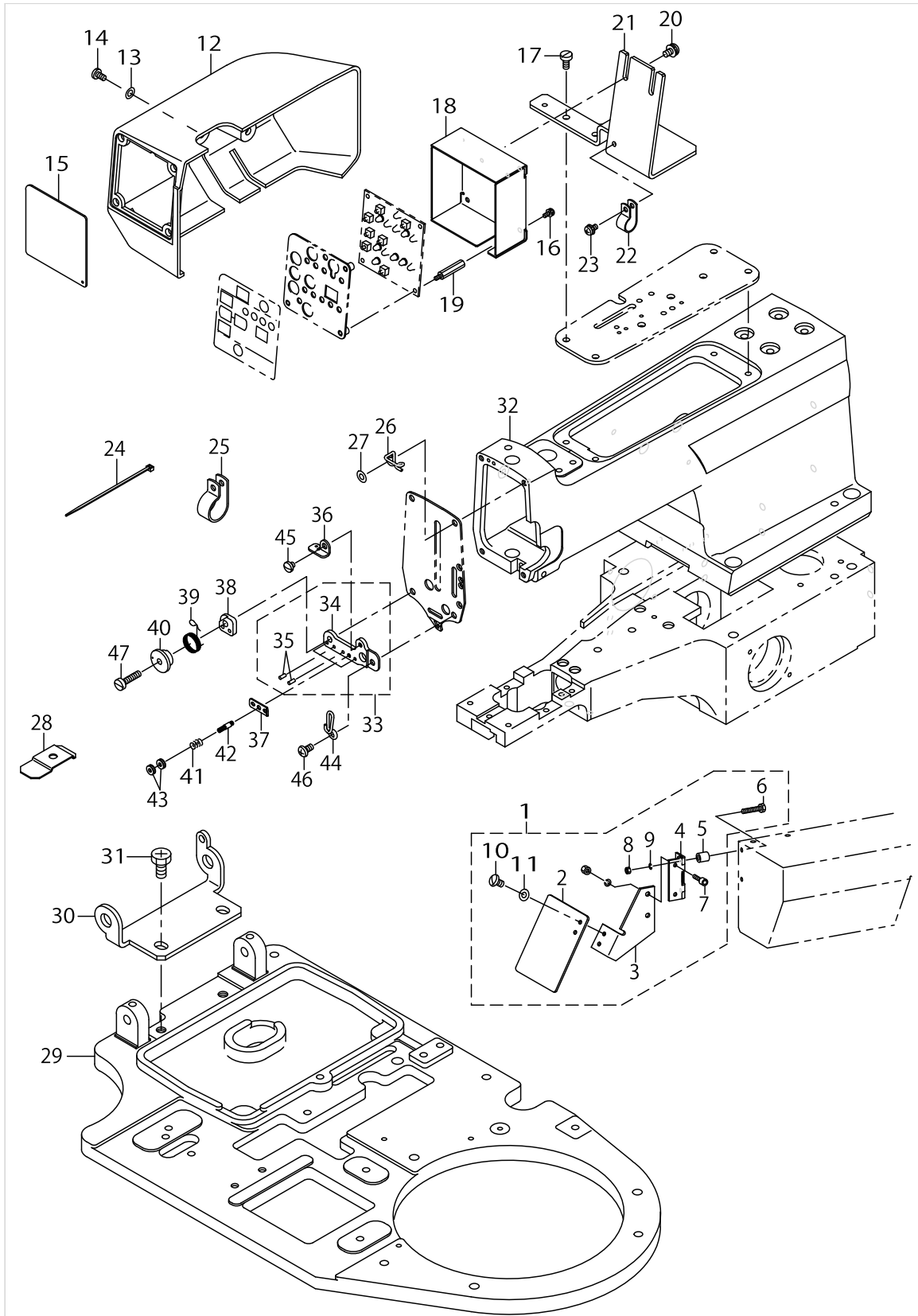
PARTS LIST

Published:05/12/2017

CONTENTS

FRAME & MICELLANEOUS COVER COMPONENTS	1
FEEDER CLAMP MACHANISM COMPONENTS	5
WIPER COMPONENTS.....	9
SENSOR COMPONENTS	11
TRANSMISSIOM COMPONENTS	13
FINE POSITION OF BUTTONS COMPONENTS (1).....	15
FINE POSITION OF BUTTONS COMPONENTS (2).....	19
CAM COMPONENTS.....	23
INDEX COMPONENTS (1)	25
INDEX COMPONENTS (2)	29
FEEDER BOWL COMPONENTS.....	33
BR-CONTROL BOX COMPONENTS.....	35
FRAME COMPONENTS	37
COVER COMPONENTS.....	41
SOLENOID VALVE & REGULATOR COMPONENTS.....	43
FEED MECHANISM COMPONENTS.....	45
FEED MECHANISM DRIVE & SWITCH COMPONENTS.....	49
CLAMP ARM COMPONENTS.....	53
SET PLATE COMPONENTS.....	55
GAUGE & STACKER GUARD COMPONENTS	59
CONVEYOR COMPONENTS	61
STACKER COMPONENTS.....	65
COVER & KNEE SWITCH COMPONENTS.....	69
STACKER CYLINDER COMPONENTS.....	71
MACHINETABLE COMPONENTS.....	73
CONTROL BOX COMPONENTS	77
CPU CIRCUIT BOARD & I/O CIRCUIT BOARD COMPONENTS.....	81
PANEL CIRCUIT BOARD & POWER CIRCUIT BOARD COMPONENTS.....	83
PANEL BOX COMPONENTS.....	85
THREAD STAND COMPONENTS.....	87
ACCESSORISE COMPONENTS (1).....	89
ACCESSORISE COMPONENTS (2).....	91
ASSISTANT CLAMP, LIGHT MATERIAL CLAMP & NEEDLE CLAMP & TOP-CENTER PLAIT.....	93
SLIP STOPPER COMPONENTS (OPTION)	
ASSISTANT FEED PLATE COMPONENTS (OPTION).....	95
NO.2 PRESSER COMPONENTS (OPTION).....	97
HOW TO MAKE USE OF THIS PARTS LIST	99

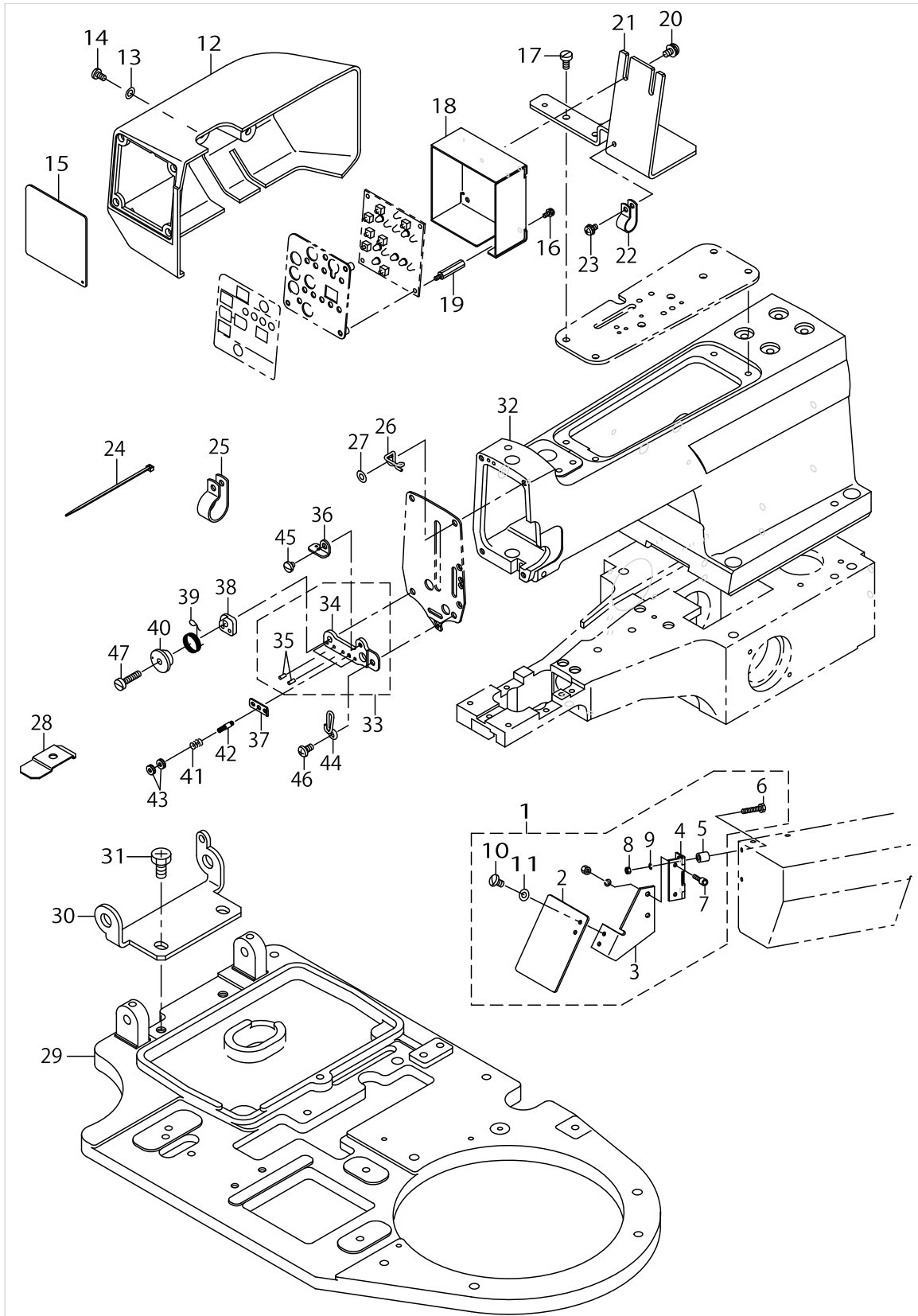
FRAME & MICELLANEOUS COVER COMPONENTS



FRAME & MICELLANEOUS COVER COMPONENTS

No.	Supply Code	Parts No.	Replacement	Parts name	Remarks	Choice	Step	Level	Cons	Qty	Rep. QTY
1		MAZ089710B0		EC SAFETY PLATE ASM.						1	
2	R	B3120372000	26037200	SAFETY PLATE				*		1	1.00
3		MAZ08974000		SAFETY PLATE INS-TALLING PLATE				*		1	
4		G5903172000		SAFETYPLATEHINGE				*		1	
5		GBR11115000		MOTOR SPACER.				*		2	
6		SM9031603SE		SCREW M3 L=16				*		2	
7		SM6030802TP		SCREW M3X0.5 L=8				*		2	
8		NM6030001SC		NUT M3				*		4	
9		WS0310002KN		SPRING WASHER M3				*		4	
10		SS4110715SP		SCREW 11/64-40 L=7				*		2	
11		WP0450801SD		WASHER 4.5X10X0.8				*		2	
12		G5426164C00		SIDE COVER COMPL.						1	
13		WP0501016SD		WASHER 5X10.5X1						2	
14		SS4110815SP		SCREW 11/64-40 L=8						2	
15		G5427164C00		SIDE COVER						1	
16		SL4030881SC		SCREW M3X8						3	
17		SS6121050SP		SCREW 3/16-28 L=9.5						4	
18		14613806		OPERATION PANEL COVER						1	
19	D	HX00354000M		STUD						3	
20		SL4040891SC		SCREW M4 L=8						2	
21		14613905		OPERATION PANEL COVER BASE						1	
22		HX00150000E		CORD PRESSER 3--POLE (220/240V)						1	
23		SL4040891SC		SCREW M4 L=8						1	
24		EA9500B0100		CABLE BAND						1	
25		HX00150000J		CLIP						2	
26		B2038372000		THREAD GUIDE NO. 2						1	
27		WP0501016SD		WASHER 5X10.5X1						1	
28		14614002		FEED BASE COVER						1	
29		GBR12001000		BASE BODY ADDITIONAL WORK						1	
30		G5425164C00		HEAD ROTARY SUPPORT BASE						1	
31		SL9081681SE		SCREW						2	
32		14613301		ARM						1	
33		B3101377BA0		TENSION NO.3 ATTACH PLATE ASM.						1	
34	R	B3101377B00	B3101377BA0	TENSION NO.3 ATTACH PLATE				*		1	1.00
35		PS0250062KH		SPRING PIN 2.5X6				*		4	
36		B3102377B00		THREADGUIDENO.3B						1	
37		B3103377B00		THREAD PRESSER NO. 3						1	
38		B3104377B00		THREAD TAKE-UP SPRING SEAT						1	
39		B3105377B00		THREAD TAKE-UP SPRING						1	
40		B3106377B00		TAKE-UP SPRING ADJUST BASE						1	
41		B1136850000		TENSION SPRING B						1	
42		25002809		THREAD TENSION STUD						1	
43		25002908		THREAD TENSION NUT						2	
44		B3107373S00		THREAD GUIDE NO.3						1	
45		SS7110410SP		SCREW 11/64-40 L=4						1	

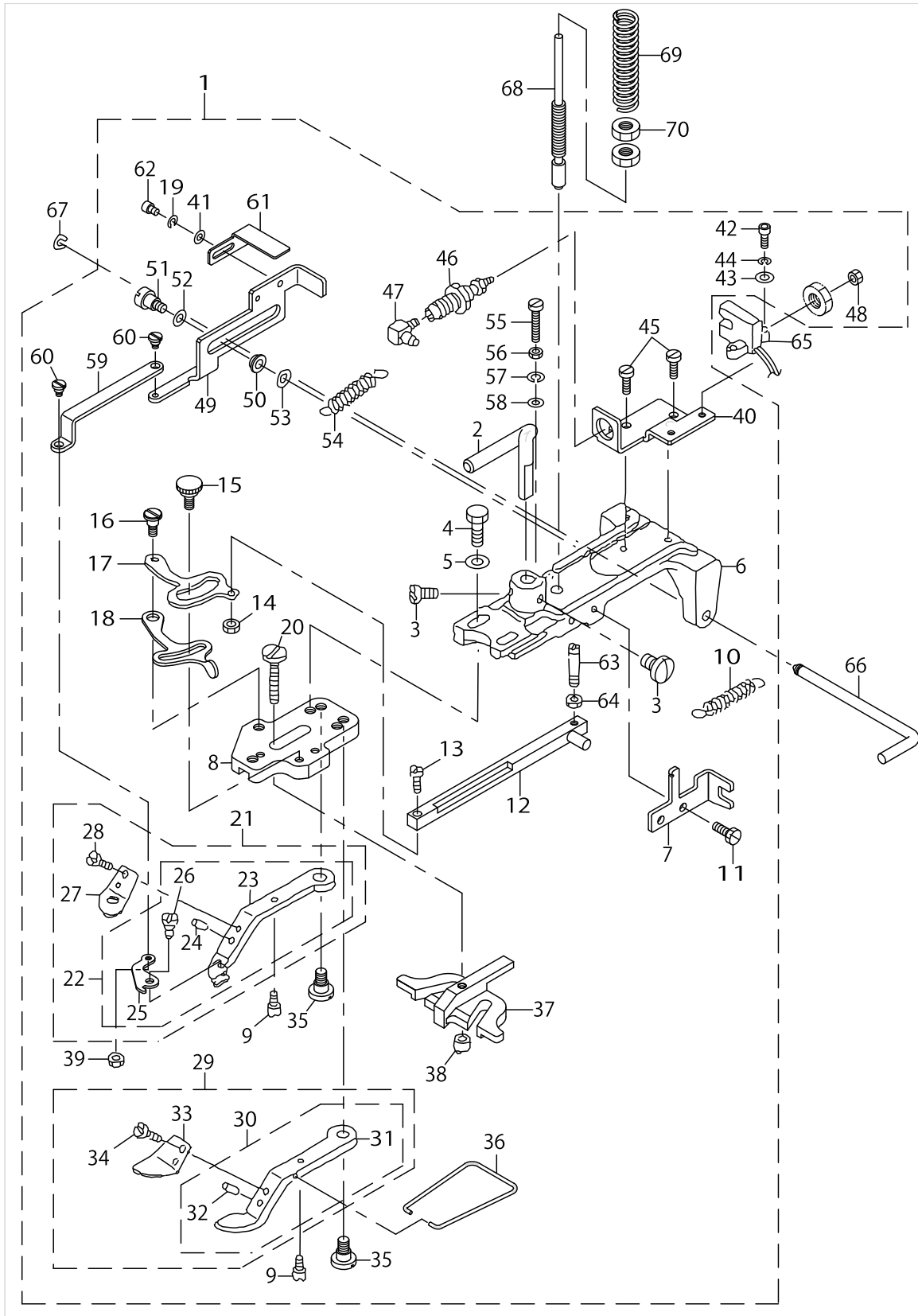
FRAME & MICELLANEOUS COVER COMPONENTS



FRAME & MICELLANEOUS COVER COMPONENTS

No.	Supply Code	Parts No.	Replacement	Parts name	Remarks	Choice	Step	Level	Cons	Qty	Rep. QTY
46		SS4120915SP		SCREW 3/16-28 L=9						1	
47		SS6122030SP		SCREW 3/16-28 L=20						1	

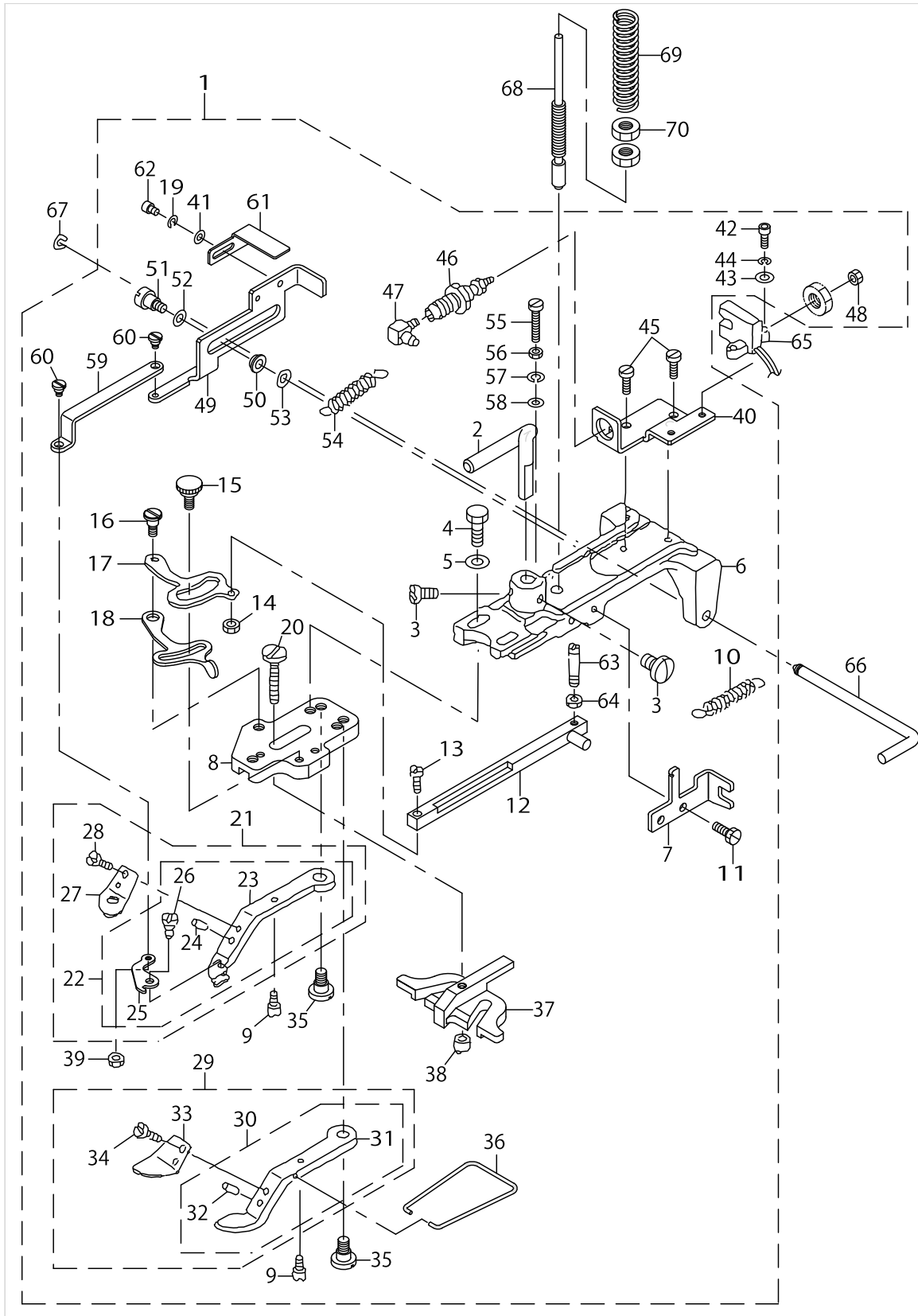
FEEDER CLAMP MACHANISM COMPONENTS



FEEDER CLAMP MACHANISM COMPONENTS

No.	Supply Code	Parts No.	Replacement	Parts name	Remarks	Choice	Step	Level	Cons	Qty	Rep. QTY
1		14613558		KNOB DEVICE COMPL.						1	
2		14611404		LIFTING ROD				*		1	
3		SS7150940SP		SCREW 15/64-28 L=9				*		2	
4		SS9621413SP		SCREW 3/16-32 L=13.5				*		2	
5		WP0501016SD		WASHER 5X10.5X1				*		2	
6	R	MAZ08912000	40113237	BUTTON CLAMP HOLDER				*		1	1.00
7		GBR01602000		SLIDE BRACKET				*		1	
8		B2547372000		JAW LEVER HOLDER				*		1	
9		B2560372000		BUTTON CLAMP STOP PIN				*		2	
10		GBR01606000		RELEASE RETURN SPRING				*		1	
11		SS9091010SP		SCREW 9/64-40 L=10				*		2	
12		MAZ088270A0		CLAMP PELEASE LINK ASM.				*		1	
13		SS7091480SP		SCREW 9/64-40 L=13.5				*		1	
14		NS6090310SP		NUT 9/64-40				*		1	
15		B2549372R00A		SCREW				*		1	
16		SD0500404SP		HINGE SCREW				*		1	
17		GBR01601000A		CLAMP RELEASE LEVER				*		1	
18		B2548372R00A		OPEN LEVER				*		1	
19		WS0310002KR		SPRING WASHER 3.1X5.9X0.7				*		1	
20		SD0550303SP		HINGE SCREW				*		1	
21		MAZ089130B0A		PICK-UP FOOT (LEFT) WHOLE ASM.				*		1	
22		MAZ089130A0A		PICK-UP FOOT (LEFT) ASM.				*		1	
23		MAZ08914000A		PICK-UP FOOT (LEFT)				*		1	
24		B2559372000		BUTTON CLAMP LOCATING PIN				*		1	
25		MAZ08915000A		DETECTOR LEVER				*		1	
26		MAZ08916000		LINK SCREW A				*		1	
27		MAZ08917000		BUTTON HOLDING SPRING,LEFT				*		1	
28		SS7090410SP		SCREW 9/64-40 L= 3.5				*		1	
29		MAZ088230B0A		PICK-UP FOOT (RIGHT) ASM.				*		1	
30		MAZ088230A0A		PICK-UP FOOT (RIGHT) ASM.				*		1	
31		MAZ08823000A		PICK-UP FOOT (RIGHT)				*		1	
32		B2559372000		BUTTON CLAMP LOCATING PIN				*		1	
33		MAZ08829000		SPRING, RIGHT				*		1	
34		SS7090410SP		SCREW 9/64-40 L= 3.5				*		1	
35		SD0640391TP		HINGE SCREW D= 6.35 H= 3.9				*		2	
36		B2561372000		BUTTON CLAMP SPRING				*		1	
37		MAZ16522000		BUTTON GUIDE FOOT				*		1	
38		B2553372000		NUT				*		1	
39		NM6860003SC		NUT M2.6				*		1	
40		MAZ08918000		CYLINDER BASE				*		1	
41		WP0320501SC		WASHER M3				*		1	
42		SM6030802TP		SCREW M3X0.5 L=8				*		2	
43		WP0320501SC		WASHER M3				*		2	
44		WS0310002KR		SPRING WASHER 3.1X5.9X0.7				*		2	
45		SS6081010TP		SCREW 1/8-44 L=10				*		2	
46		PA0601004A0		AIR CYLINDER				*		1	

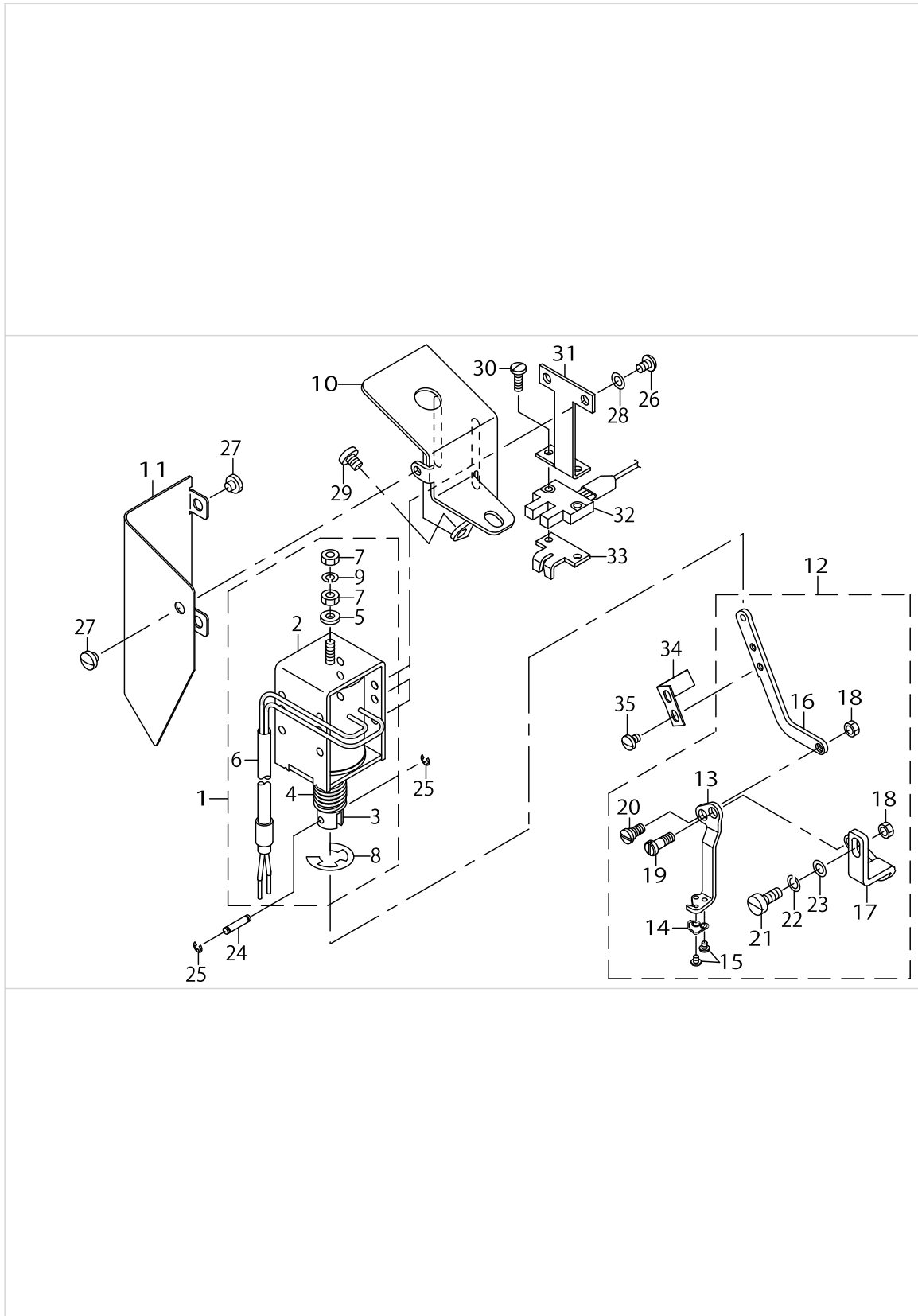
FEEDER CLAMP MACHANISM COMPONENTS



FEEDER CLAMP MACHANISM COMPONENTS

No.	Supply Code	Parts No.	Replacement	Parts name	Remarks	Choice	Step	Level	Cons	Qty	Rep. QTY
47		PJ046052503		HOSE ELBOW				*		1	
48		NM7030510SA		NUT M3				*		1	
49		MAZ08919000		SLIDER LINK				*		1	
50		MAZ16723000		BEARING				*		2	
51		SD0450403TP		HINGE SCREW				*		2	
52		WP0451026SH		WASHER				*		2	
53		WP0320501SC		WASHER M3				*		2	
54		D3149141E00		SPRING				*		1	
55		SS6081810SP		SCREW 1/8-44 L=18.0				*		1	
56		NS6080210SP		NUT 1/8-44				*		1	
57		WS0410002KN		SPRING WASHER				*		1	
58		WP0320501SC		WASHER M3				*		1	
59		MAZ08920000A		LINK BAR				*		1	
60		MAZ08921000		LINK SCREW, B				*		2	
61		MAZ08922000		SHADING PLATE				*		1	
62		SM6030402TP		SCREW M3X0.5 L=4				*		1	
63		GBR01607000		SPRING HOOK				*		1	
64		NS6080210SP		NUT 1/8-44				*		1	
65	D	MAZ089820A0		BUTTON SENSER SWITCH ASM.						1	
66	R	B2540372000	26025205	HINGE PIN						1	1.00
67		B2541372000		SNAP RING						1	
68	R	B2544372000	26027003	BUTTON CLAMP P- RESSURE ADJUSTIN						1	1.00
69	R	B2545372000	26027102	PRESSURE ADJUSTING SPRING						1	1.00
70		NS6660511SP		NUT 1/4						2	

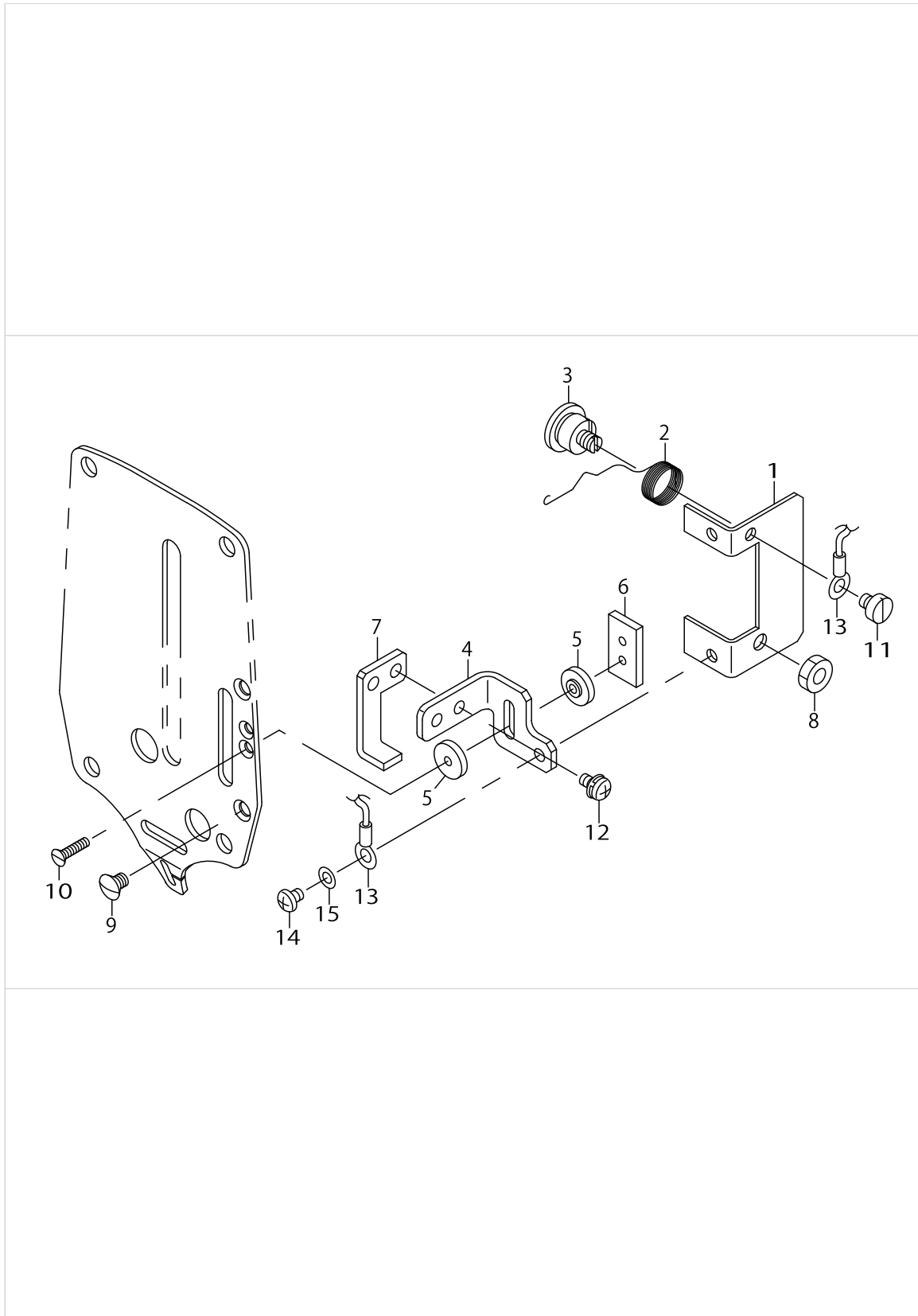
WIPER COMPONENTS



WIPER COMPONENTS

No.	Supply Code	Parts No.	Replacement	Parts name	Remarks	Choice	Step	Level	Cons	Qty	Rep. QTY
1		MAZ089860A0		WIPER SOLENOID ASM.						1	
2		MAZ08801000		WIPER MAGNET				*		1	
3		D2118555B00A		PLUNGER				*		1	
4		MAT80113T00		SPRING				*		1	
5		MAT80115T00		WASHER				*		1	
6		HW5F18S1228		TWO-CORE CORD				*		0.9	
7		NM6043212SA		NUT M4X0.7				*		2	
8		RE0901110K0		SNAP RING 9				*		1	
9	R	WS0410002KS	WS0410002KN	SPRING WASHER M4				*		1	1.00
10		MAZ08802000		INSTALLING BASE						1	
11		MAZ08803000		INSTALLING BASE COVER						1	
12	R	MAZ025060A0	MAZ025060B0	WIPER UNIT ASM.						1	1.00
13		MAZ02506000		WIPER				*		1	
14		MAZ02507000A		WIPER THREAD GUARD SPRING				*		1	
15		SS5060310SP		SCREW 3/32-56 L=2.8				*		2	
16		MAZ02504000		WIPER LINK				*		1	
17		MAZ02505000		WIPER BASE				*		1	
18		NS6110310SP		NUT 11/64-40				*		2	
19		SD0460571CP		HINGE SCREW D=4.6 H=5.7				*		1	
20		SD0550211SP		HINGE SCREW				*		1	
21		SS6121220TP		SCREW 3/16-28 L=11.5				*		1	
22		WS0521010KN		SPRING WASHER 5.2X8.2X1				*		1	
23		WP0480856SP		WASHER 4.8X8.4X0.8				*		1	
24		D2107555B00		WIPER LINK SHAFT, A						1	
25		RE0250000K0		E-RING 2.5						2	
26		SM4040601SB		SCREW M4 L=6						4	
27		SS7110340SP		SCREW 11/64-40 L= 3.2						3	
28		WP0480856SP		WASHER 4.8X8.4X0.8						4	
29		SS4120615SP		SCREW 3/16-28 L=6						1	
30		SS7091110TP		SCREW 9/64-40 L=10.5						2	
31	D	G5413161000		SENSOR BRACKET						1	
32		MAZ089850A0		WIPER SENSOR SW ASM.						1	
33	D	G5415161000		WIPER GUIDE						1	
34		G5414161000		WIPER SENSOR PLATE						1	
35		SS7090520TP		SCREW 9/64-40 L=4.5						2	

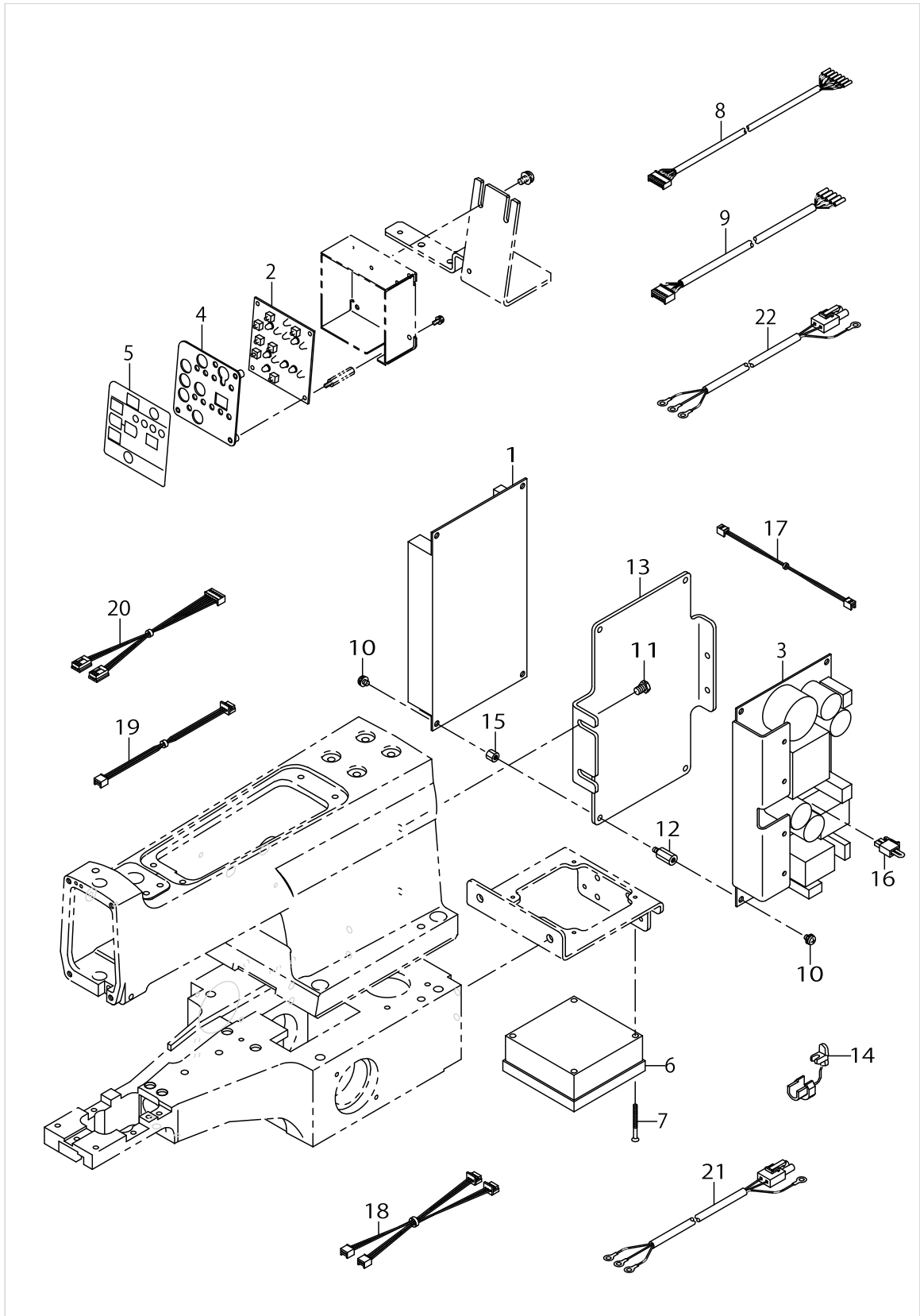
SENSOR COMPONENTS



SENSOR COMPONENTS

No.	Supply Code	Parts No.	Replacement	Parts name	Remarks	Choice	Step	Level	Cons	Qty	Rep. QTY
1		MAZ08941000		SENSOR SUPPORT PLATE						1	
2		MAZ08943000A		SENSOR SPRING						1	
3		MAZ08942000		SCREW						1	
4		MAZ08944000		ELECTRODE A						1	
5		G5313162000		FRICTION PLATE						4	
6		G5314162000		INSTALLING PLATE						1	
7		MAZ08945000		ELECTRODE B						1	
8		NS6110350SP		NUT 11/64-40						1	
9		SS2090550TP		SCREW 9/64-40 L=5						2	
10		SS1061010SP		SCREW 3/32-56 L=10						2	
11		SS6090420SP		SCREW 9/64-40 L=4.0						1	
12		SL4030681SC		SCREW M3 L=6						2	
13		MAZ089840A0		SENSOR SWICH ASM.						1	
14		SM4030401SC		SCREW M3X0.5 L=4						1	
15		WS0310002KN		SPRING WASHER M3						1	

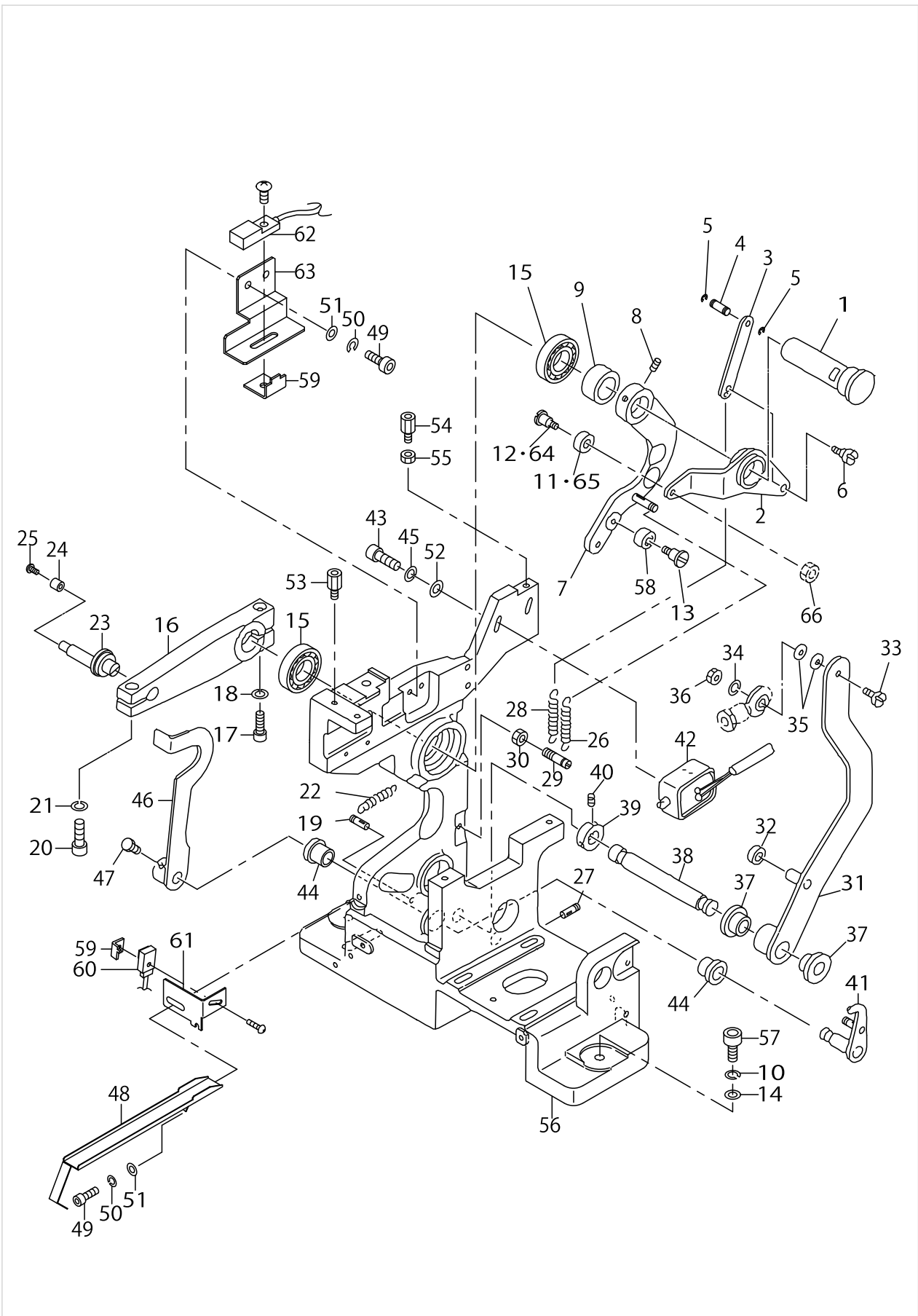
TRANSMISSION COMPONENTS



TRANSMISSION COMPONENTS

No.	Supply Code	Parts No.	Replacement	Parts name	Remarks	Choice	Step	Level	Cons	Qty	Rep. QTY
1		M8601630BA0		MAIN CIRCUIT BOARD B ASM.						1	
2		M8602630AA0		PANEL CIRCUIT BOARD A ASM.						1	
3	R	M86046300A0	40011382	PWR CIRCUIT BOARD ASM.						1	1.00
4		M2003630000		PANEL FITTING PLATE						1	
5		M3001630000		PANEL SEET						1	
6		M85405900A0		FAN ASM.						1	
7		SM1033501SC		SCREW M3X0.5 L=35						4	
8		M85306300A0		BR RELAY CORD						1	
9		M85316300A0		POWER CABLE ASM.,100V						1	
10		SL4040681SC		COMBINATION SCREW M4 X 8						8	
11		SS9150910SP		SCREW						3	
12		HX00339000E		SPACER						4	
13		14602106		BOARD FITTING PLATE						1	
14		HX000980000		CORD BUSH						1	
15		HX005350000		SPACER						4	
16		M85236000A0		INPUT CHANGEOVER CORD ASM.						1	
17		M85026300A0		TEMPERATURE SE- NSOR CORD ASM.						1	
18		M85056300A0		FEED HOME POSITION CORD ASM.						1	
19		M85066300A0		STARTING CORD ASM.						1	
20		M85076300A0		PRESSER SENSOR CORD ASM.						1	
21		M85046300A0		TRANSMISSION PO- WER CORD ASM.						1	
22		M85346300A0		POWER SOURCE CORD ASM.						1	

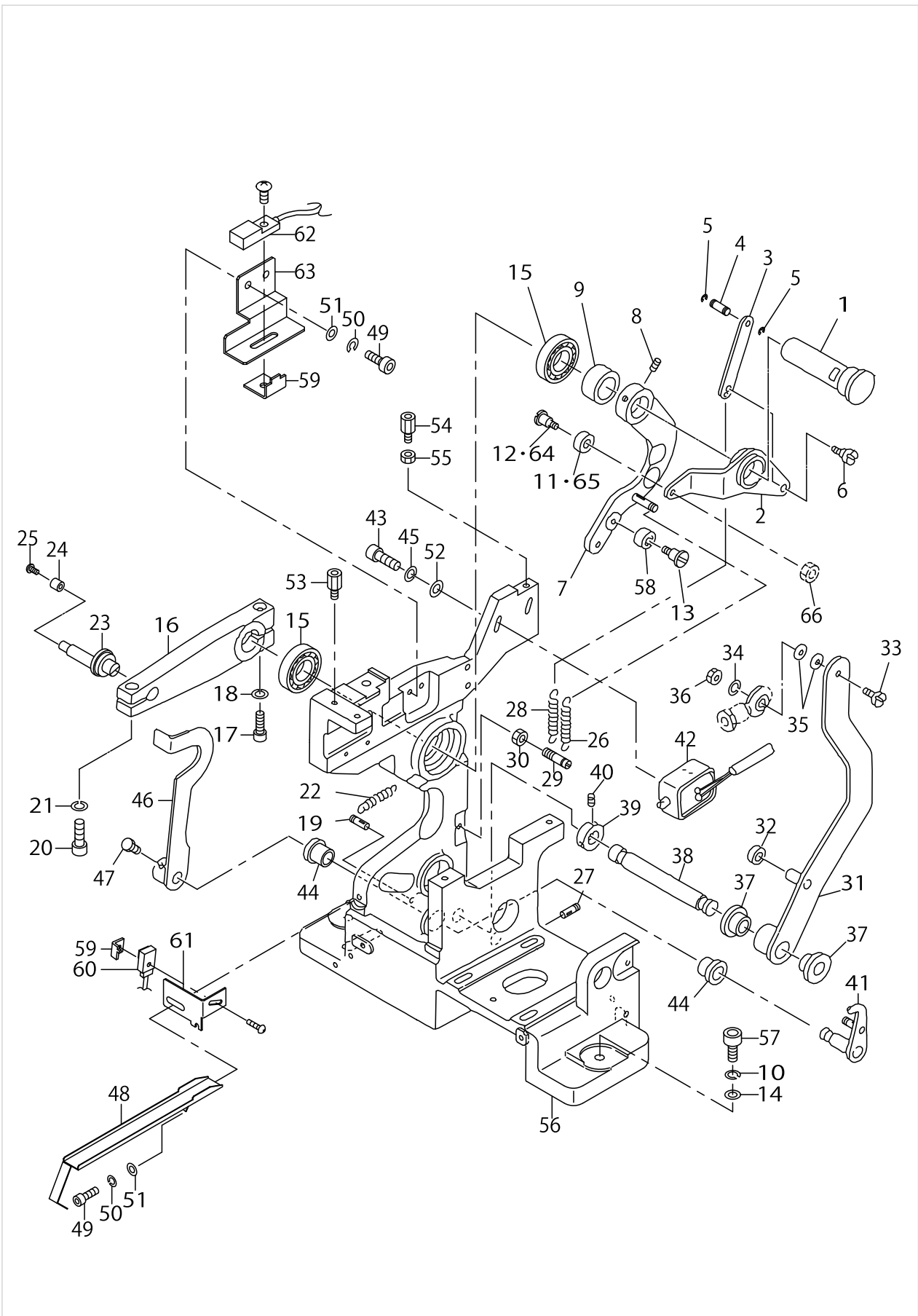
FINE POSITION OF BUTTONS COMPONENTS (1)



FINE POSITION OF BUTTONS COMPONENTS (1)

No.	Supply Code	Parts No.	Replacement	Parts name	Remarks	Choice	Step	Level	Cons	Qty	Rep. QTY
1		16552507		ARM SHAFT						1	
2		18219709		RUBBING UP-AND-DOWN LEVER						1	
3		18218206		RUBBING UP-AND-DOWN LINK						1	
4		16557209		PIN						1	
5		RE0200000K0		E-RING						2	
6		SD0600341TP		HINGE SCREW D=6.0 H=3.4						1	
7		18218453		VERTICAL LEVER ASM.						1	
8		SM8050602TP		SCREW M5 L=6						2	
9		16552606		THRUST COLLAR						1	
10		WS0610002KN		SPRING WASHER 6.1X12.2X1.5						3	
11		18219808		RUBBING ROLLER						1	
12		SD0600401TP		HINGE SCREW D= 6 H= 4						1	
13		SD0601021SP		HINGE SCREW D=6 H=10.2						1	
14		16559601		WASHER						3	
15		SB115000400		RADIAL BEARING						2	
16		16554107		DRIVING ARM						1	
17		SM6051552TP		SCREW M5 L=15						1	
18		WS0510002KN		SPRING WASHER						1	
19		18219006		DW PIN 4X14						1	
20		SM6052502TP		SCREW M5X0.8 L=25						1	
21		WS0510002KN		SPRING WASHER						1	
22		16554008		SPRING						1	
23		18207605		HOOK						1	
24	R	GBR01160000	18200709	ROLLER						1	1.00
25		SM4030601SN		SCREW M3 X 6						1	
26		16554008		SPRING						1	
27		SM8050502TP		SCREW M5 L=5						1	
28		16553208		SPRING						1	
29		16553307		HOOK						1	
30		NM6050001SC		NUT M5						1	
31		16558900		TURNING LEVER						1	
32		16556805		COLLAR						1	
33		SM6042002TP		SCREW M4X0.7 L=20						1	
34		WS0410002KN		SPRING WASHER						1	
35		WP0430800SC		WASHER M4						2	
36		NM6040001SC		NUT M4						1	
37		16557506		LEVER SHAFT METAL						2	
38		16554503		SHAFT						1	
39		16559007		BASE A (BR-10)						1	
40		SM8040602TP		SCREW M4X0.7 L=6						2	
41		18217752		CLAMP RELEASE ASM.						1	
42		GBR10852000		MAGNET						1	
43		SM6031402TP		SCREW						2	
44		16557605		SHAFT BUSHING						2	
45		WS0310002KN		SPRING WASHER M3						2	
46		16555401		CLAMPRELEASEARM						1	

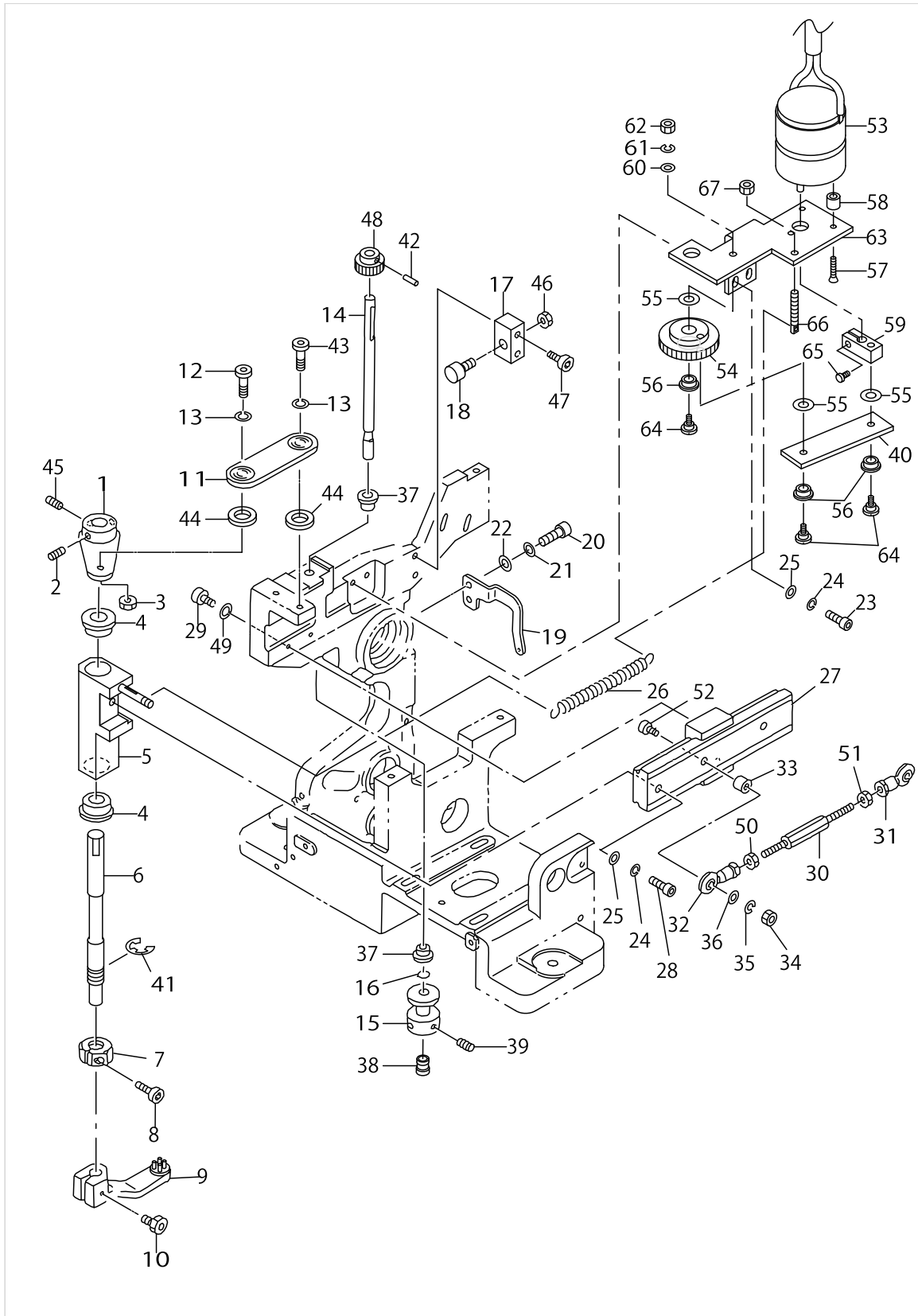
FINE POSITION OF BUTTONS COMPONENTS (1)



FINE POSITION OF BUTTONS COMPONENTS (1)

No.	Supply Code	Parts No.	Replacement	Parts name	Remarks	Choice	Step	Level	Cons	Qty	Rep. QTY
47		SM6050802TP		SCREW M5X0.8 L=8						2	
48		GBR11101000		SUPPORT PLATE						1	
49		SM6041002TP		SCREW M4 L=10						3	
50		WS0410002KN		SPRING WASHER						3	
51		WP0430800SC		WASHER M4						3	
52		WP0320500SC		WASHER M3						2	
53		HX000560000		SPACER A						1	
54		HX00056000C		SPACER						1	
55		NM6030001SC		NUT M3						1	
56		18218305		MAIN BODY FRAME						1	
57		SM6063002TP		SCREW M6 L=30						3	
58		16556706		BEARING						1	
59		GBR11104000		SENSOR BRACKET						2	
60	D	GBR118470A0		UPPER & LOWER SENSOR ASM.						1	
61		GBR11102000		SENSOR BRACKET						1	
62		GBR118420A0		SPINNER OSCILLATING ARM SW ASM						1	
63		GBR11103000		SENSOR BRACKET						1	
64		16553406		HINGE SCREW (2)						1	
65	R	16553505	18219808	ROLLER						1	1.00
66		NM6040001SC		NUT M4						1	

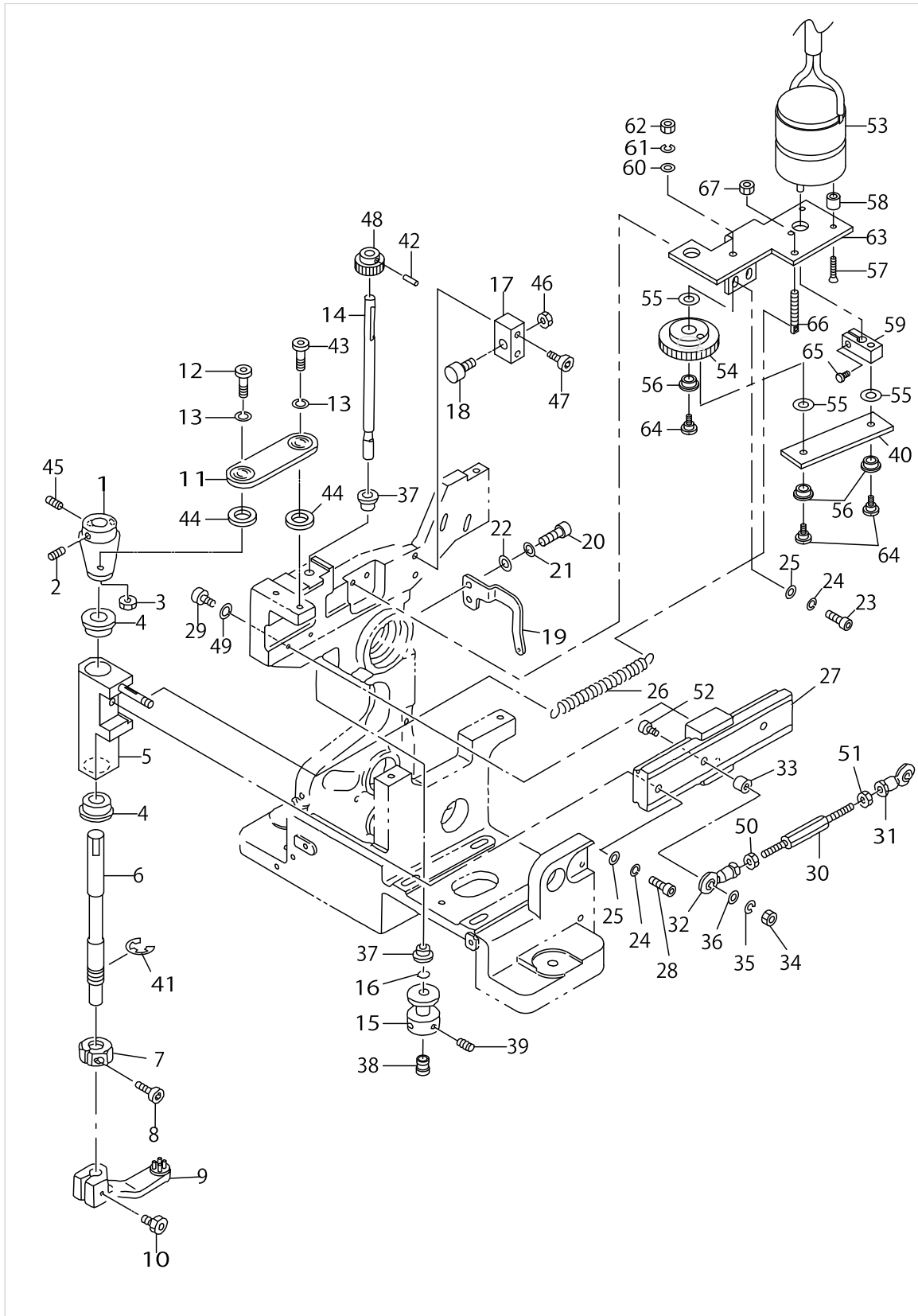
FINE POSITION OF BUTTONS COMPONENTS (2)



FINE POSITION OF BUTTONS COMPONENTS (2)

No.	Supply Code	Parts No.	Replacement	Parts name	Remarks	Choice	Step	Level	Cons	Qty	Rep. QTY
1		16550907		TURNING LEVER						1	
2		SM8050602TP		SCREW M5 L=6						1	
3		NM6050001SC		NUT M5						1	
4		16557407		ARM SHAFT METAL						2	
5		18217653		TURNING HEAD ASM.						1	
6		18218503		TURNING SHAFT						1	
7		16551400		STOPPER						1	
8		SM6031202TP		SCREW M3X0.5 L=12						1	
9		16557902		BUTTON CARRIER A						1	
10		GBR11108000		CARRIER FIXED BOLT						1	
11		16550758		TRANSFORMER CABLE ASM.						1	
12		SM6051202TP		SCREW M5X0.8 L=12						1	
13	R	WS0510002KS	WS0510002KR	SPRING WASHER M5						2	1.00
14	D	16552002		ROTATING ROD						1	
15		16551905		HOOK						1	
16		16558801		O-RING						1	
17		18218800		STOPPER HOLDER						1	
18		16552309		STOPPER						1	
19		16552200		SPRING HOOK						1	
20		SM6040802TR		SCREW M4X0.7 L=8						2	
21		WS0410002KN		SPRING WASHER						2	
22		WP0430800SC		WASHER M4						2	
23		SM6041002TP		SCREW M4 L=10						2	
24		WS0410002KN		SPRING WASHER						3	
25		WP0430800SC		WASHER M4						3	
26		16551806		SPRING						1	
27		16556607		LM GUIDE						1	
28		SM6041402TP		SCREW M4 L=14						1	
29		SM6031402TP		SCREW						4	
30		16550204		CONNECTING ROD						1	
31		16556409		ROD END						1	
32		16556300		ROD END						1	
33		16550402		COLLAR B						1	
34		NM6040001SC		NUT M4						1	
35		WS0410002KN		SPRING WASHER						1	
36		WP0430800SC		WASHER M4						1	
37		16557308		METAL						2	
38		18200501		WORK ATTACHMENT (SMALL)						1	
39		SM8040602TP		SCREW M4X0.7 L=6						2	
40		GBR11113000		LINK						1	
41		RE0800000K0		E-SHAPED SNAP RING (8MM)						1	
42		PH0300125S0		PIN						1	
43		SM6051602TP		SCREW M5X0.8 L=16						1	
44		WP0531001SF		WASHER M5						2	
45		SM8050502TP		SCREW M5 L=5						1	
46		NM6060001SC		NUT M6						1	

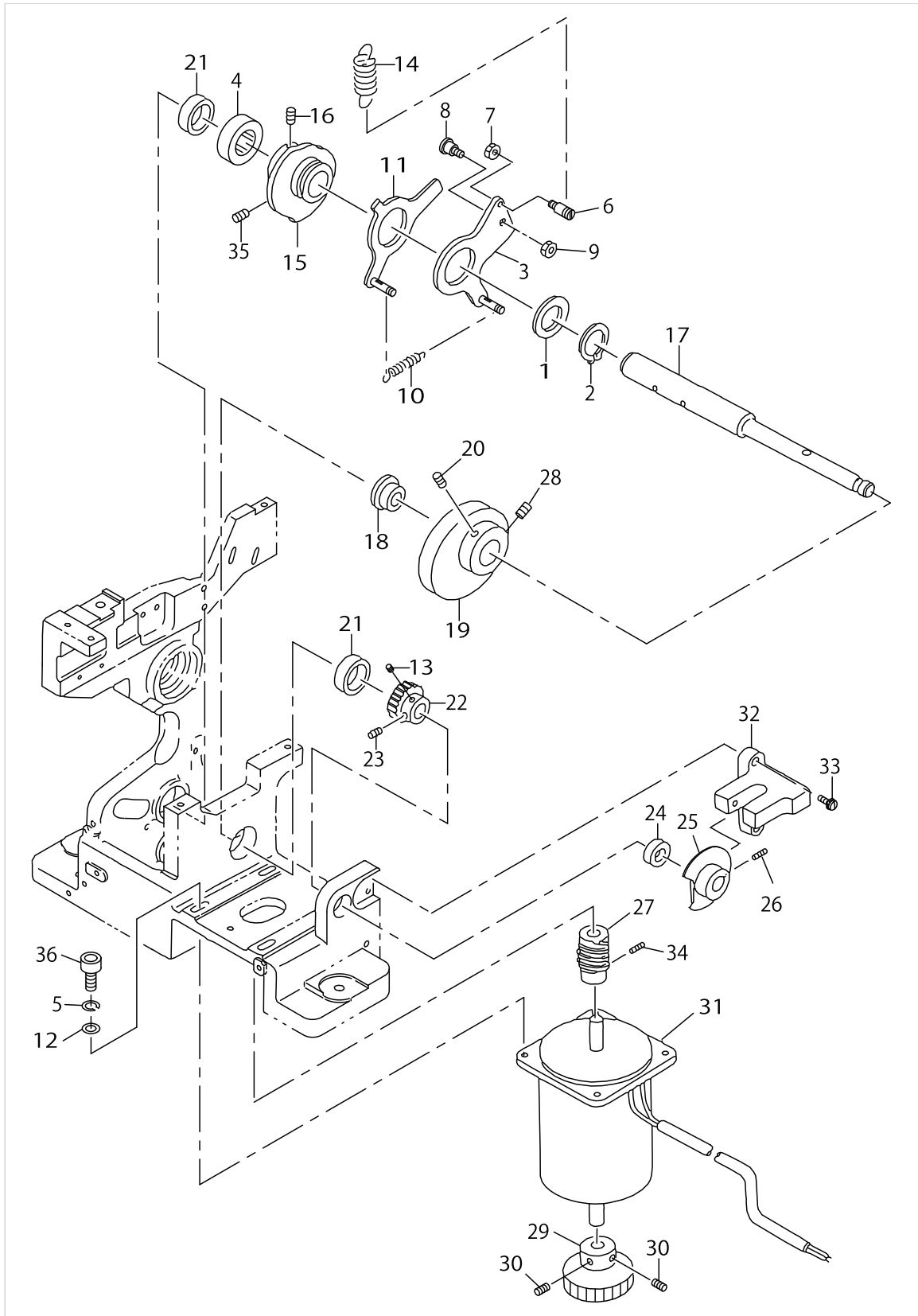
FINE POSITION OF BUTTONS COMPONENTS (2)



FINE POSITION OF BUTTONS COMPONENTS (2)

No.	Supply Code	Parts No.	Replacement	Parts name	Remarks	Choice	Step	Level	Cons	Qty	Rep. QTY
47		SM6042002TP		SCREW M4X0.7 L=20						2	
48		GBR11110000		PINION, A						1	
49		WS0310002KN		SPRING WASHER M3						4	
50		NM6040001SC		NUT M4						1	
51		GBR01175000		ROD END NUT, LEFT						1	
52		SM6042502TP		SCREW M4X0.7 L=25						1	
53		GBR108550A0		DC MOTOR ASM.						1	
54		GBR11111000		PINION, B						1	
55		GBR11114000		WASHER						3	
56		E5006171000		PS BEARING						3	
57	R	SM1031401SC	SM1031401SN	SCREW M3X0.5 L=14						3	1.00
58	R	11110707	22956205	WIPER HINGE SCREW COLLAR						3	1.00
59		GBR11112000		DRIVING ARM						1	
60		WP0430801SC		WASHER 4.3X9X0.8						1	
61		WS0410002KN		SPRING WASHER						1	
62		NS6110360SP		NUT						1	
63		GBR11109000		BRACKET						1	
64		SD0600651TP		HINGE SCREW						3	
65		SM6030602TP		SCREW M3X0.5 L=6						1	
66	R	B1649161000	26226506	TENSION SPRING A-DJUSTING SCREW						1	1.00
67		NS6110360SP		NUT						1	

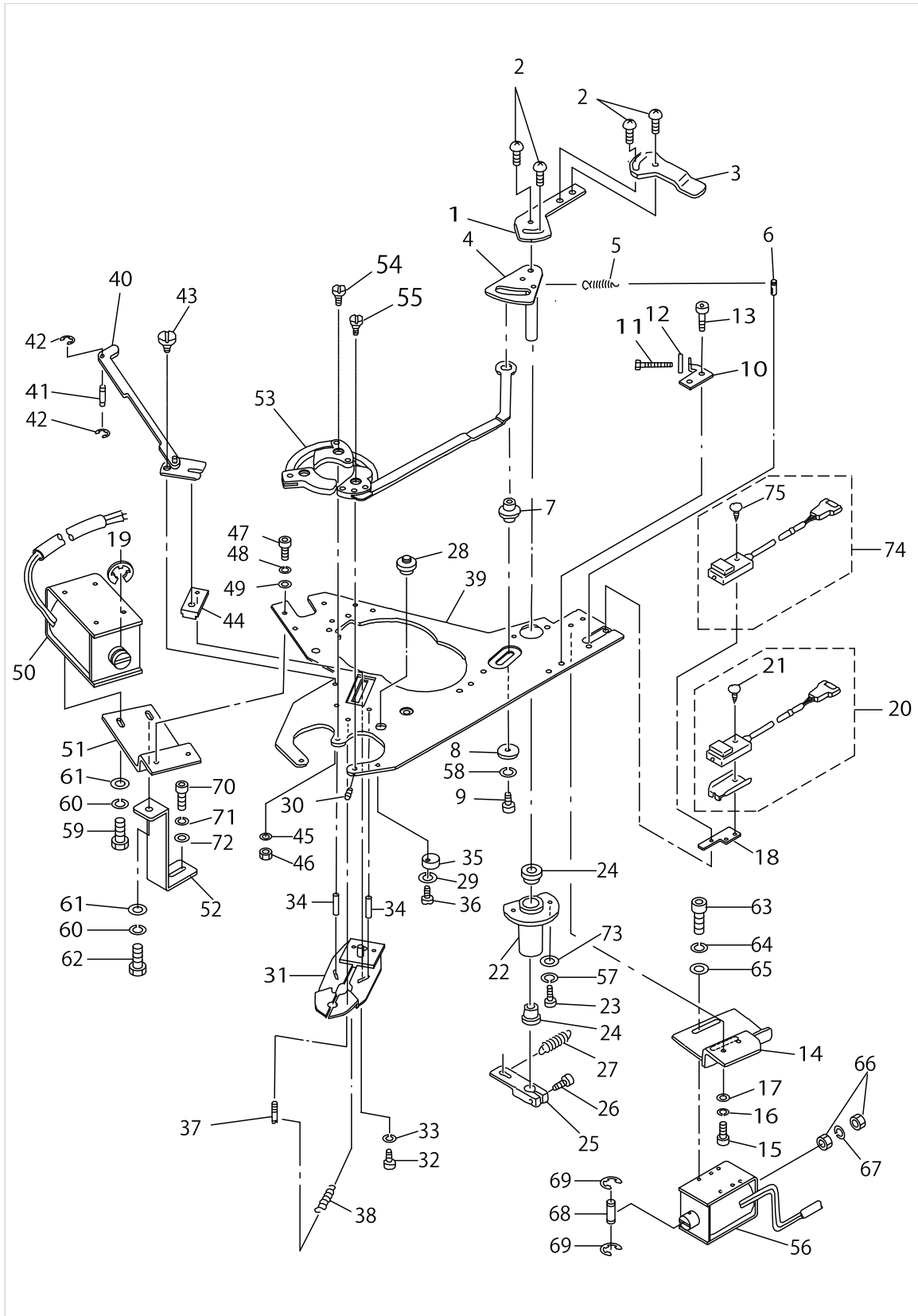
CAM COMPONENTS



CAM COMPONENTS

No.	Supply Code	Parts No.	Replacement	Parts name	Remarks	Choice	Step	Level	Cons	Qty	Rep. QTY
1	D	GBR01120000		COLLAR						1	
2		RC2500001KP		RETAINING RING 25						1	
3	D	18217950		START TIMING CAM ASM.						1	
4		16560203		CAMSHAFTCOLLAR2						1	
5		WS0610002KN		SPRING WASHER 6.1X12.2X1.5						4	
6		16562803		HOOK						1	
7		NM6040001SC		NUT M4						1	
8		16562902		HINGE SCREW						1	
9		NM6050001SC		NUT M5						1	
10		G5460340000		SPRING						1	
11	D	18217851		CLOTH PRESSER H- ANGING CAM ASM.						1	
12		WP0641600SC		WASHEW6.4X12.5X1.6						4	
13		SM8050602TP		SCREW M5 L=6						1	
14		GBR01126000A		TENSION SPRING						1	
15		16560401		CAM						1	
16		SM8050612TP		SCREW M5X6						1	
17		16560005		CAM SHAFT						1	
18		16560104		CAMSHAFTCOLLAR1						1	
19		16561607		SPINNER OSCILLATING ARM CAM						1	
20		SM8050812TP		SCREW M5X8						1	
21		GBR01168000		NEEDLE BEARING 3						2	
22		16562001		WORM WHEEL						1	
23		16562407		SCREW						1	
24		16562308		NEEDLE BEARING						1	
25		GBR11107000		SENSOR DOCK						1	
26		SM8040602TP		SCREW M4X0.7 L=6						1	
27		16562100		WORM GEAR						1	
28		SM8050842TP		SETSCREW						1	
29		G5418164000		SULLEY						1	
30	D	SK3381301SC		WOOD SCREW						2	
31	R	GBR108590A0	HM000670000	DC MOTOR ASM.						1	1.00
32	D	HD000360000		PHOTO MICRO SENSOR						1	
33		SL4031081SC		SCREW M3 X 10						2	
34		SM8040402TP		SCREW M4X0.7 L=4						2	
35		SM8050842TP		SETSCREW						1	
36		SM6062002TP		SCREW M6 L=20						4	

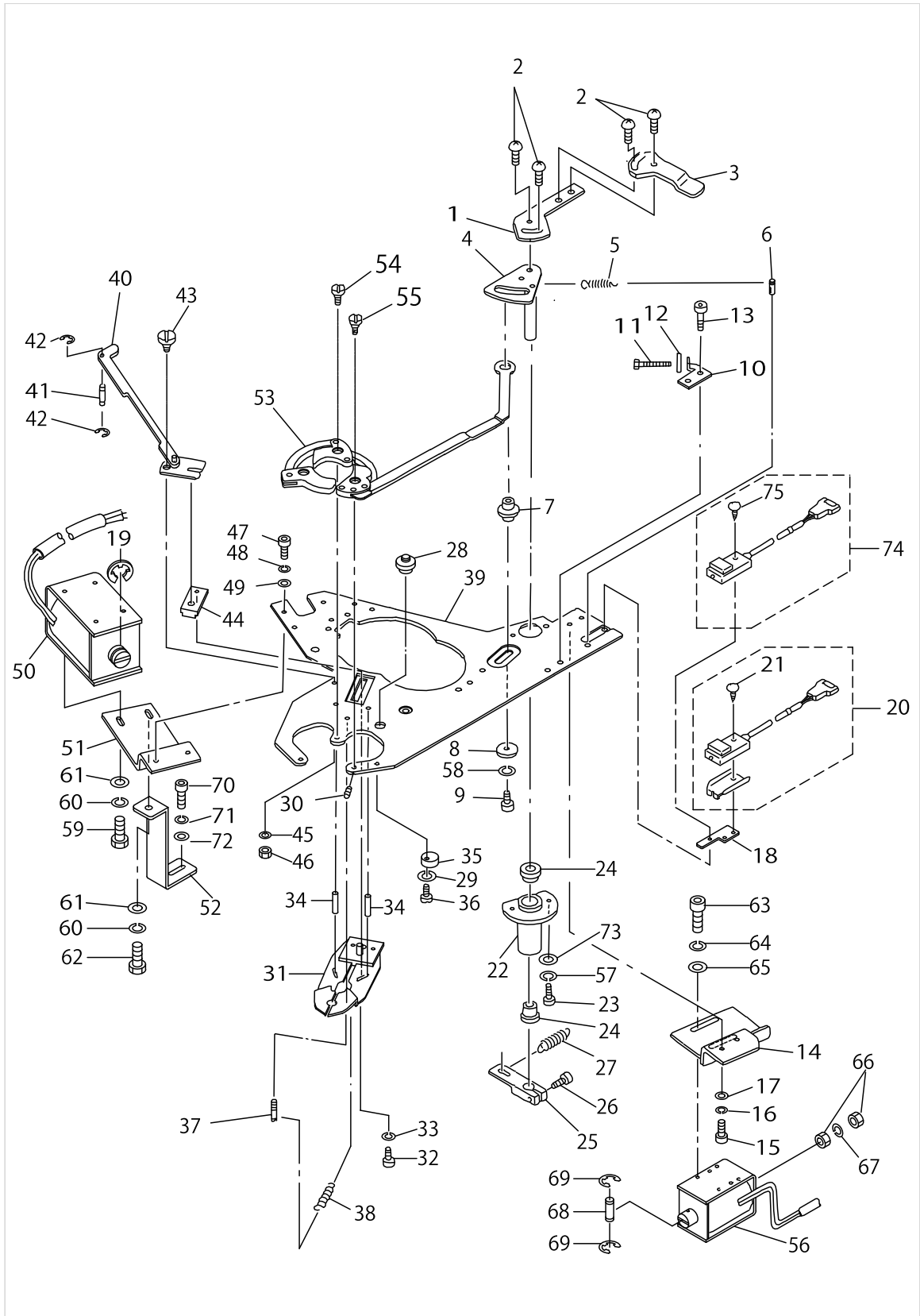
INDEX COMPONENTS (1)



INDEX COMPONENTS (1)

No.	Supply Code	Parts No.	Replacement	Parts name	Remarks	Choice	Step	Level	Cons	Qty	Rep. QTY
1		16566507		CHECK DOG						1	
2		SM0040601SC		SCREW M4X0.7 L=6						4	
3		16574105		DOG						1	
4		16566002		SPINNER CAM						1	
5		16553208		SPRING						1	
6		18218909		DW PIN 4X12						1	
7		16565707		SHAFT (1)						1	
8		B2107816000		WASHER						1	
9		SM6041002TP		SCREW M4 L=10						1	
10	D	16566606		STOPPER BKT						1	
11		SM8042502TP		SCREW M4X0.7 L=25						1	
12		NM6040001SC		NUT M4						1	
13		SM6040802TR		SCREW M4X0.7 L=8						2	
14	D	16567000		BRACKET (1)						1	
15		SM6041002TP		SCREW M4 L=10						2	
16		WS0410002KN		SPRING WASHER						2	
17		WP0430800SC		WASHER M4						2	
18		16574006		BRACKET						1	
19		RE1200000K0		E-RING 12						1	
20		GBR108430A0		RUB COMPLETION SWITCH ASM.						1	
21	D	SM0861201SA		SCREW				*		1	
22		16565905		CUPLING						1	
23		SM6041002TP		SCREW M4 L=10						2	
24		16572406		METAL						2	
25		16566408		LINK LEVER						1	
26		SM6041202TP		SCREW M4X0.7 L=12						1	
27		18201608		SPRING, 2						1	
28		18218008		SHAFT (2)						1	
29		WP0430800SC		WASHER M4						1	
30		SM8030402TP		SCREW M3X0.5 L=4						1	
31		16567166		SHUTTER PLATE ASM.						1	
32		SM6041202TP		SCREW M4X0.7 L=12						1	
33		WS0410002KN		SPRING WASHER						1	
34		18204107		PIN						2	
35		18209502		ECCENTRIC STOPPER						1	
36		SM6041202TP		SCREW M4X0.7 L=12						1	
37		18219204		DW PIN 4*18						1	
38		16554008		SPRING						1	
39		GBR11117000		TOP PLATE						1	
40		16567802		LINK PLATE						1	
41		16572505		PIN						1	
42		RE0250000K0		E-RING 2.5						2	
43		16567901		HING SCREW						1	
44		16573305		SLIDER BLOCK						1	
45		WS0410002KN		SPRING WASHER						1	
46		NM6040001SC		NUT M4						2	

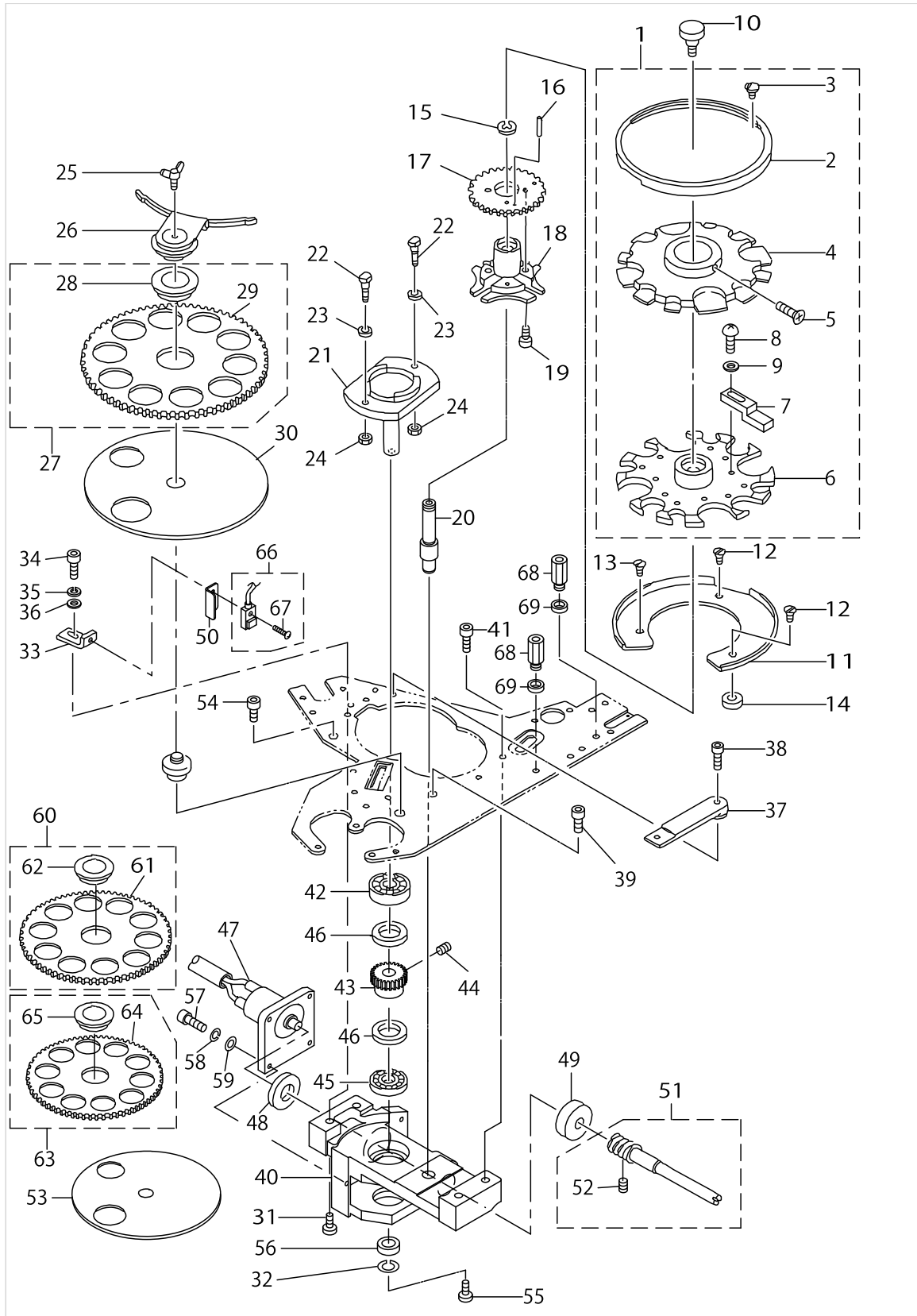
INDEX COMPONENTS (1)



INDEX COMPONENTS (1)

No.	Supply Code	Parts No.	Replacement	Parts name	Remarks	Choice	Step	Level	Cons	Qty	Rep. QTY
47		SM6041002TP		SCREW M4 L=10						2	
48		WS0410002KN		SPRING WASHER						2	
49		WP0430800SC		WASHER M4						2	
50		GBR10853000		MAGNET						1	
51		16568206		BRACKET (2)						1	
52		16574204		SUPPORT PLATE						1	
53		18202150		CHECK ASM., A						1	
54		16565400		HING PIN (2)						2	
55		16565509		HING PIN (1)						1	
56		GBR10854000		MAGNET						1	
57		WS0410002KN		SPRING WASHER						2	
58		WS0410002KN		SPRING WASHER						1	
59		SM6040802TP		SCREW M4X0.7 L=8						3	
60		WS0410002KN		SPRING WASHER						4	
61		WP0430800SC		WASHER M4						4	
62		SM6041202TP		SCREW M4X0.7 L=12						1	
63		SM6040802TP		SCREW M4X0.7 L=8						2	
64		WS0410002KN		SPRING WASHER						2	
65		WP0430800SC		WASHER M4						2	
66		NM6040001SC		NUT M4						2	
67		WS0410002KN		SPRING WASHER						1	
68		16557209		PIN						1	
69		RE0200000K0		E-RING						2	
70		SM6061602TP		SCREW M6 L=16						1	
71		WS0610002KN		SPRING WASHER 6.1X12.2X1.5						1	
72		WP0641600SC		WASHEW6.4X12.5X1.6						1	
73		WP0430800SC		WASHER M4						2	
74		GBR108440A0		BUTTON SENSOR SWITCH ASM.						1	
75	D	SM0861201SA		SCREW				*		1	

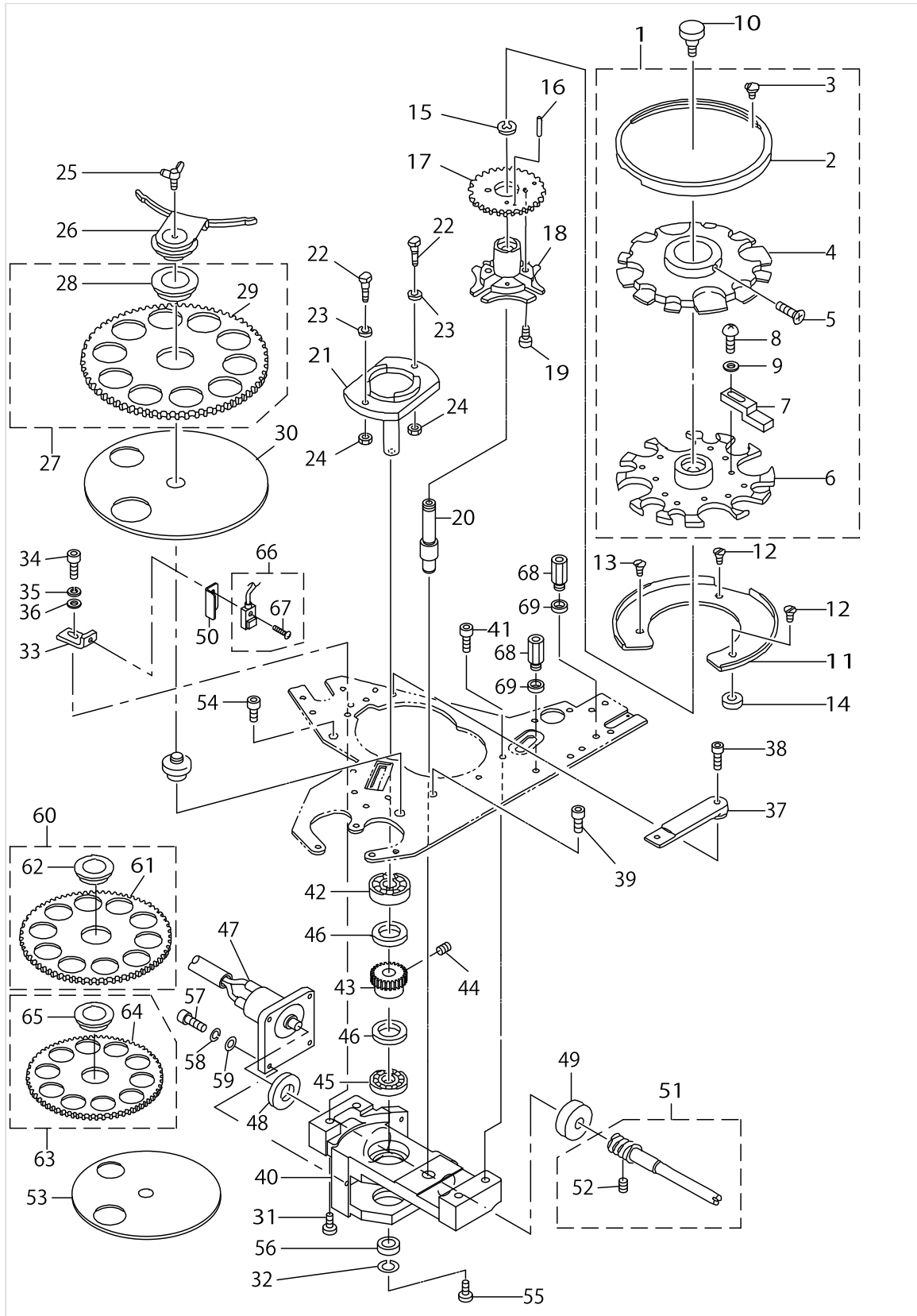
INDEX COMPONENTS (2)



INDEX COMPONENTS (2)

No.	Supply Code	Parts No.	Replacement	Parts name	Remarks	Choice	Step	Level	Cons	Qty	Rep. QTY
1	R	18201962	40163503	FEED ACROSS PLATE ASM. A						1	1.00
2		16573701		RING				*		1	
3		SM0040601SC		SCREW M4X0.7 L=6				*		2	
4	R	18203307	40163420	ADJUSTING PLATE				*		1	1.00
5		SL4030881SC		SCREW M3 L=8				*		1	
6	R	18201905	40163419	FEED PLATE A				*		1	1.00
7		18202002		BUTTON ADJUST A				*		8	
8		SM4860501SC		SCREW M 2.6 X 5				*		8	
9		WP0280500SC		WASHER				*		8	
10	D	16573800		SCREW						1	
11		16569204		REST						1	
12		SM1041201SC		SCREW M4 L=12						2	
13		SM1040601SC		SCREW M4X0.7 L=6						1	
14		16573008		COLLAR						2	
15		16571903		CLIP						1	
16		PH0300185S0		PIN						1	
17		16569600		GEAR						1	
18		16569501		GENEVA						1	
19		SM6030802TP		SCREW M3X0.5 L=8						2	
20		18219501		DIVIDING MAIN SHAFT						1	
21		16570103		WHEEL						1	
22		16570202		SCREW						2	
23		16570301		COLLAR						2	
24		NM6040001SC		NUT M4						2	
25		18204503		WING BOLT						1	
26		16568909		COVER CAP						1	
27		18200352		FEED PLATE CIRCLE 16 ASM.						1	
28		16572703		METAL				*		1	
29		18200303		FEED PLATE 16				*		1	
30		16568404		FERRULE DISC						1	
31		SM6052002TP		SCREW M5 L=20						1	
32		WS0410002KN		SPRING WASHER						1	
33		16570707		SENSOR BRACKET						1	
34		SM6040802TR		SCREW M4X0.7 L=8						1	
35		WS0410002KN		SPRING WASHER						1	
36		WP0430800SC		WASHER M4						1	
37		16570905		STAND PLATE (1)						1	
38		SM6041202TP		SCREW M4X0.7 L=12						1	
39		SM6051202TP		SCREW M5X0.8 L=12						1	
40		18219600		GENEVA HOUSE						1	
41		SM6051602TP		SCREW M5X0.8 L=16						3	
42		SB110000400		BALL BEARING						1	
43	R	16571507	16562001	WORM WHEEL						1	1.00
44		SM8050842TP		SETSCREW						2	
45		16571804		BEARING A						1	
46		16573909		THRUST COLLAR						2	

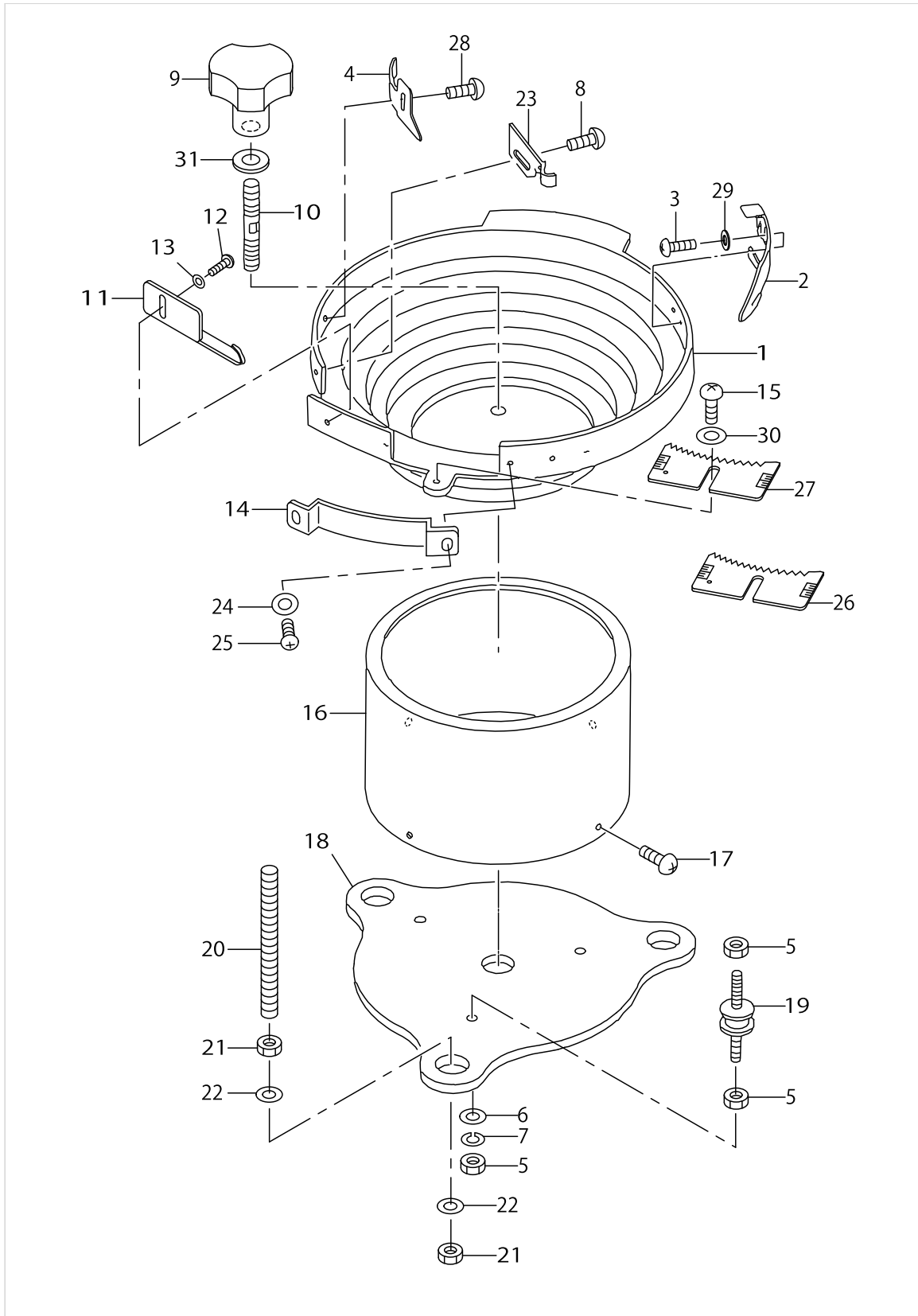
INDEX COMPONENTS (2)



INDEX COMPONENTS (2)

No.	Supply Code	Parts No.	Replacement	Parts name	Remarks	Choice	Step	Level	Cons	Qty	Rep. QTY
47		GBR108560A0		DC MOTOR ASM.						1	
48		16570509		THRUST COLLAR						1	
49		16571408		NEEDLE BEARING						1	
50		18212902		SENSOR COVER						1	
51	R	16570657	SM8040402TP	TURNINGSHAFTASM.		A				1	1.00
51	R	16570657	16570608	TURNINGSHAFTASM.		A				1	1.00
52		SM8040402TP		SCREW M4X0.7 L=4				*		2	
53		18201103		HOLDING PLATE (SMALL)	OPTIONAL PARTS					1	
54		SM6051202TP		SCREW M5X0.8 L=12						1	
55		SM6041002TP		SCREW M4 L=10						1	
56		B2107816000		WASHER						1	
57		SM6030802TP		SCREW M3X0.5 L=8						4	
58		WS0310002KN		SPRING WASHER M3						4	
59		WP0320500SC		WASHER M3						4	
60		16568651		FEEDPLATE22BASM.	OPTIONAL PARTS					1	
61		16568602		FEED PLATE 22B				*		1	
62		16572703		METAL				*		1	
63		18200956		FEED PLATE CIRCLE 13.5 ASM.	OPTIONAL PARTS					1	
64		18200907		FEED PLATE 12.5				*		1	
65		16572703		METAL				*		1	
66		GBR108450A0		INDEX STARTING SWITCH ASM.						1	
67	D	SM0861201SA		SCREW				*		1	
68		HX003390000		STUD						2	
69		B3052816000		WASHER						2	

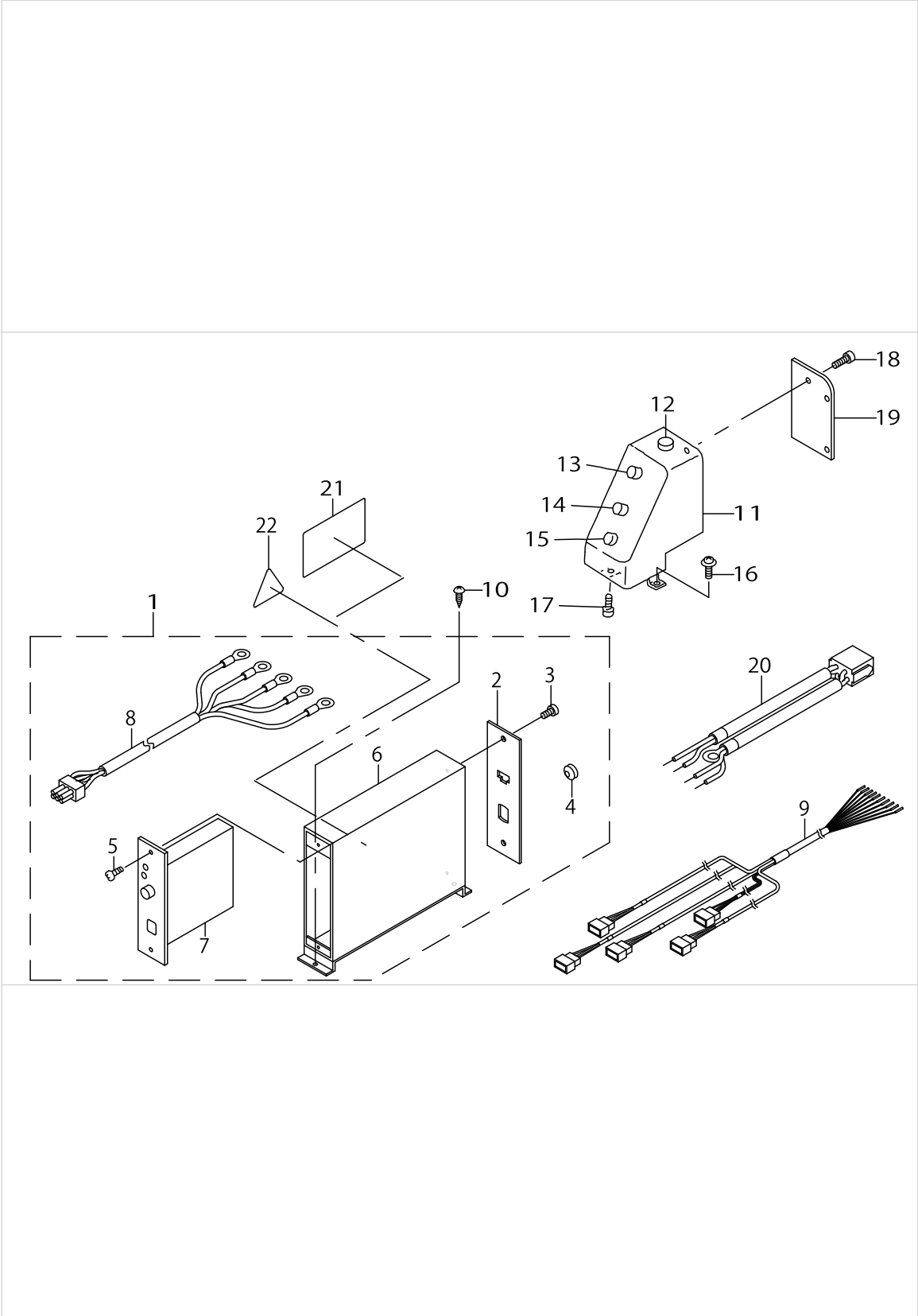
FEEDER BOWL COMPONENTS



FEEDER BOWL COMPONENTS

No.	Supply Code	Parts No.	Replacement	Parts name	Remarks	Choice	Step	Level	Cons	Qty	Rep. QTY
1		16577009		FEEDER BOWL						1	
2		GBR01426000		GUIDE PLATE						1	
3		SS4110815SP		SCREW 11/64-40 L=8						2	
4		GBR01441000		BUTTON STANDING PREVENT PLATE						1	
5		NM6060001SC		NUT M6						9	
6		WP0641600SC		WASHEW6.4X12.5X1.6						3	
7		WS0610002KN		SPRING WASHER 6.1X12.2X1.5						3	
8	R	SM0041001SN	SM0041001SC	SCREW M4 L=10						1	1.00
9		18204602		BOWL FIXING KNOB						1	
10		GBR01432000		BOWL FIXING SCREW						1	
11		16577504		SELECTOR PLATE						1	
12		SM4041001SN		SCREW M4X0.7 L=10						1	
13		WP0430800SC		WASHER M4						1	
14		GBR01428000		GUIDE PLATE						1	
15		SM4051001SN		SCREW M5						1	
16		16577207		P/F COVER						1	
17		SM0040601SC		SCREW M4X0.7 L=6						4	
18		16577108		P/F INSTALLING BASE						1	
19		GBR01429000A		VIBRATION-PROOF RUBBER						3	
20		16577306		MOUNTING BOLT						3	
21		NM6080001SC		NUT M8X1.25						6	
22		16577405		WASHER						6	
23		18202408		BUTTON GUIDE A						1	
24		WP0320500SC		WASHER M3						2	
25		SM4030601SN		SCREW M3 X 6						2	
26		GBR014220A0		SELECTION PLATE ASM. (SMALL)	OPTIONAL PARTS					1	
27	D	18251553		SELECTION PLATE ASM. (VERY SMA						1	
28	R	SM0041001SN	SM0041001SC	SCREW M4 L=10						1	1.00
29		WP0450801SD		WASHER 4.5X10X0.8						1	
30		WP0531000SC		WASHER 5.3X10X1						1	
31		WP0841601SC		WASHER 8.4X17.4X1.6						1	

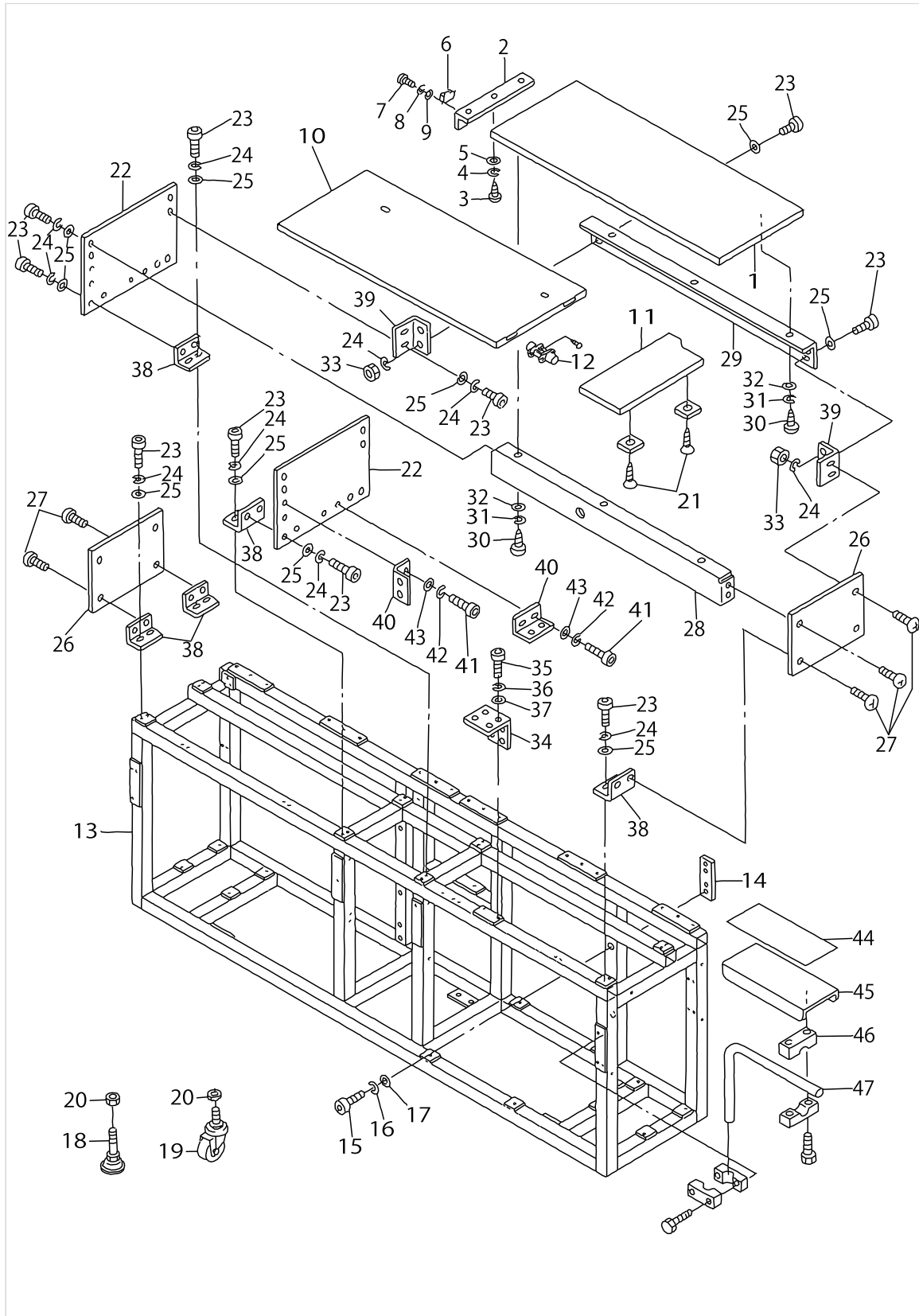
BR-CONTROL BOX COMPONENTS



BR-CONTROL BOX COMPONENTS

No.	Supply Code	Parts No.	Replacement	Parts name	Remarks	Choice	Step	Level	Cons	Qty	Rep. QTY
1		GBR118010A0		P/F CONTROLLER COMPL.						1	
2		GBR10802000		P/F CONTROLLER BACK LID				*		1	
3		SL4040691SC		SCREW M4 L=6				*		2	
4		HX000980000		CORD BUSH				*		1	
5		SM5040601SC		SCREW M4X0.7 L=6				*		2	
6		GBR11801000		P/F CONTROLLER FRAME				*		1	
7	D	GBR118110A0		P/F CONTROLLER ASM.				*		1	
8	D	GBR108210A0		P/F POWER CORD ASM.				*		1	
9		GBR118460A0		RELAY CABLE ASM.						1	
10	D	SK3381301SC		WOOD SCREW						2	
11		GBR11781000		PANEL BOX						1	
12		GBR117860A0		BREAKER ASM.						1	
13		GBR117850A0		BUTTON SUPPLY SW ASM.						1	
14		GBR117830A0		STEP-KEEPER SW ASM.						1	
15		GBR117840A0		EXHAUST SW ASM.						1	
16		SL4041091SC		SCREW M4 L=10						1	
17		SM6040802TN		SCREW						1	
18		SL4030681SC		SCREW M3 L=6						3	
19		GBR10782000		PANEL BOX BACK COVER						1	
20	D	GBR118220A0		CONNECTING CORD ASM.						1	
21		CM300100101		DANGER LABEL (SMALL)	FOR JAPAN					1	
22		CM300100001		LABEL	FOR JE					1	

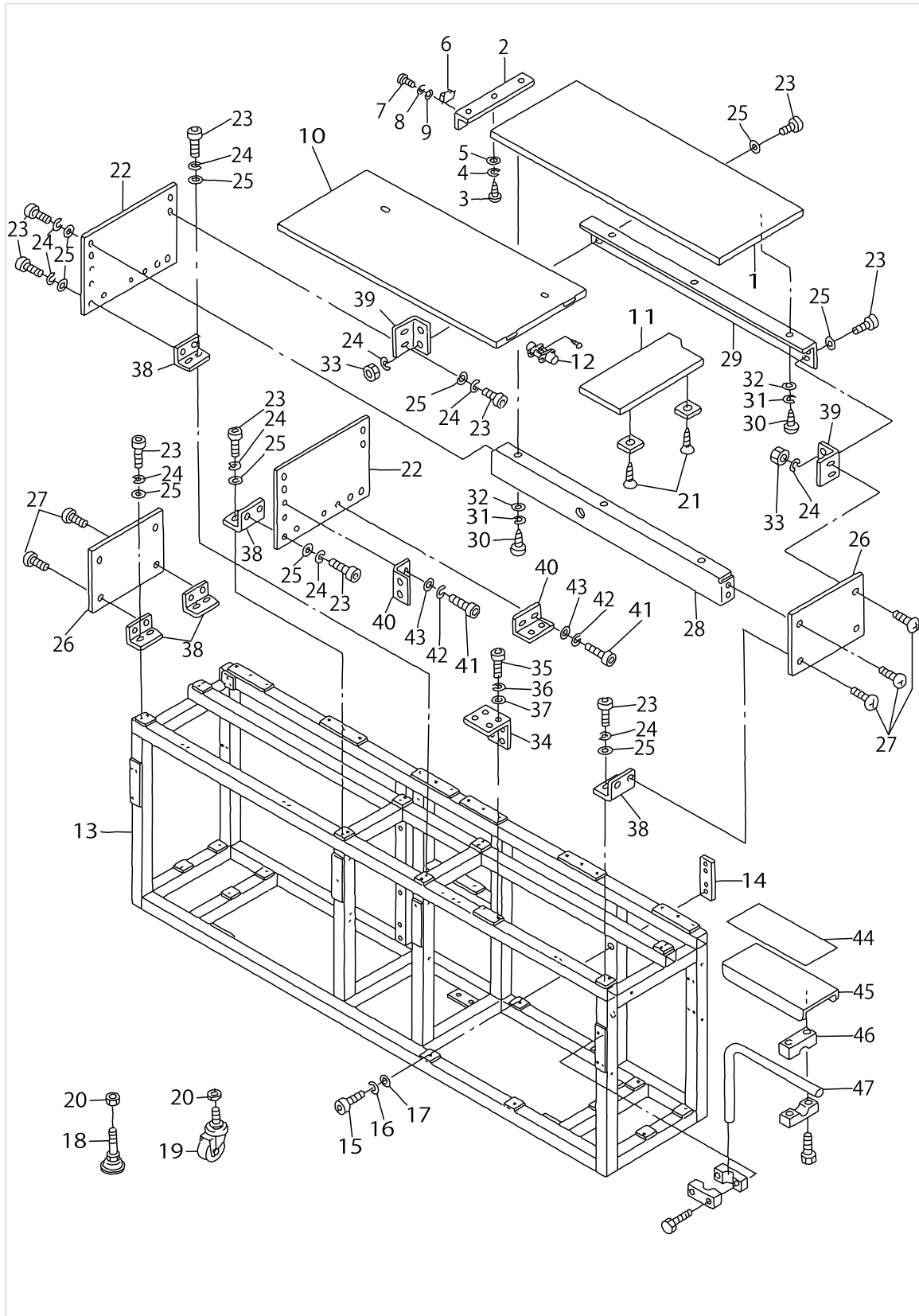
FRAME COMPONENTS



FRAME COMPONENTS

No.	Supply Code	Parts No.	Replacement	Parts name	Remarks	Choice	Step	Level	Cons	Qty	Rep. QTY
1		G5016164000		TABLE, RIGHT						1	
2		G5018164000		BRACKET						1	
3		SK3381601SC		WOOD SCREW D=3.8 L=16						3	
4		WS0410002KN		SPRING WASHER						3	
5		WP0430801SC		WASHER 4.3X9X0.8						3	
6		G5045164000		MAGNET CATCH						2	
7		SM6030602TP		SCREW M3X0.5 L=6						4	
8		WS0310002KN		SPRING WASHER M3						4	
9		WP0320501SC		WASHER M3						4	
10		G5015164000		TABLE, LEFT						1	
11		G5017164000		MOVABLE TABLE						1	
12		G5020164000		HINGE						2	
13		G5001164000		BASE FRAME						1	
14		G5041164000		CONNECTING PLATE						4	
15		SM6082002TN		SCREW M8 L=20						16	
16		WS0820002KN		SPRING WASHER M8						16	
17		WP0841601SC		WASHER 8.4X17.4X1.6						16	
18		G5033172000		ADJUSTER						4	
19		G5032164000		CASTER						6	
20		NM6160001SC		NUT						10	
21		SK1271301SD		WOOD SCREW D=2.7 L=13						2	
22		G5002164000		TABLE SUPPORT PLATE INNER						2	
23		SM6061202TP		SCREW M6 L=12						36	
24		WS0610002KN		SPRING WASHER 6.1X12.2X1.5						36	
25		WP0641601SC		WASHER						36	
26		G5003164000		TABLE SUPPORT PLATE OUTER						2	
27		SM0060801SA		SCREW						8	
28		G5004164000		TABLE SUPPORT, FRONT						2	
29		G5005164000		TABLE SUPPORT, REAR						2	
30		SK3381601SC		WOOD SCREW D=3.8 L=16						12	
31		WS0410002KN		SPRING WASHER						12	
32		WP0430801SC		WASHER 4.3X9X0.8						12	
33		NM6060001SC		NUT M6						4	
34		G5028164000		INSTALLING PLATE						1	
35		SM6061202TP		SCREW M6 L=12						2	
36		WS0610002KN		SPRING WASHER 6.1X12.2X1.5						2	
37		WP0641601SC		WASHER						2	
38	D	G5038171000		SIDE PLATE SUPPORT						8	
39		G5045171000		SIDE PLATE HOLDER						4	
40		G5034171000		COVER SUPPORT						14	
41		SM6040802TP		SCREW M4X0.7 L=8						28	
42		WS0410002KN		SPRING WASHER						28	
43		WP0430801SC		WASHER 4.3X9X0.8						28	
44		G5022164000		CUSHION						1	
45		G5021164000		CLOTH TABLE						1	
46		B1141229000		OPERATION BOX STRUT CLAMP						4	

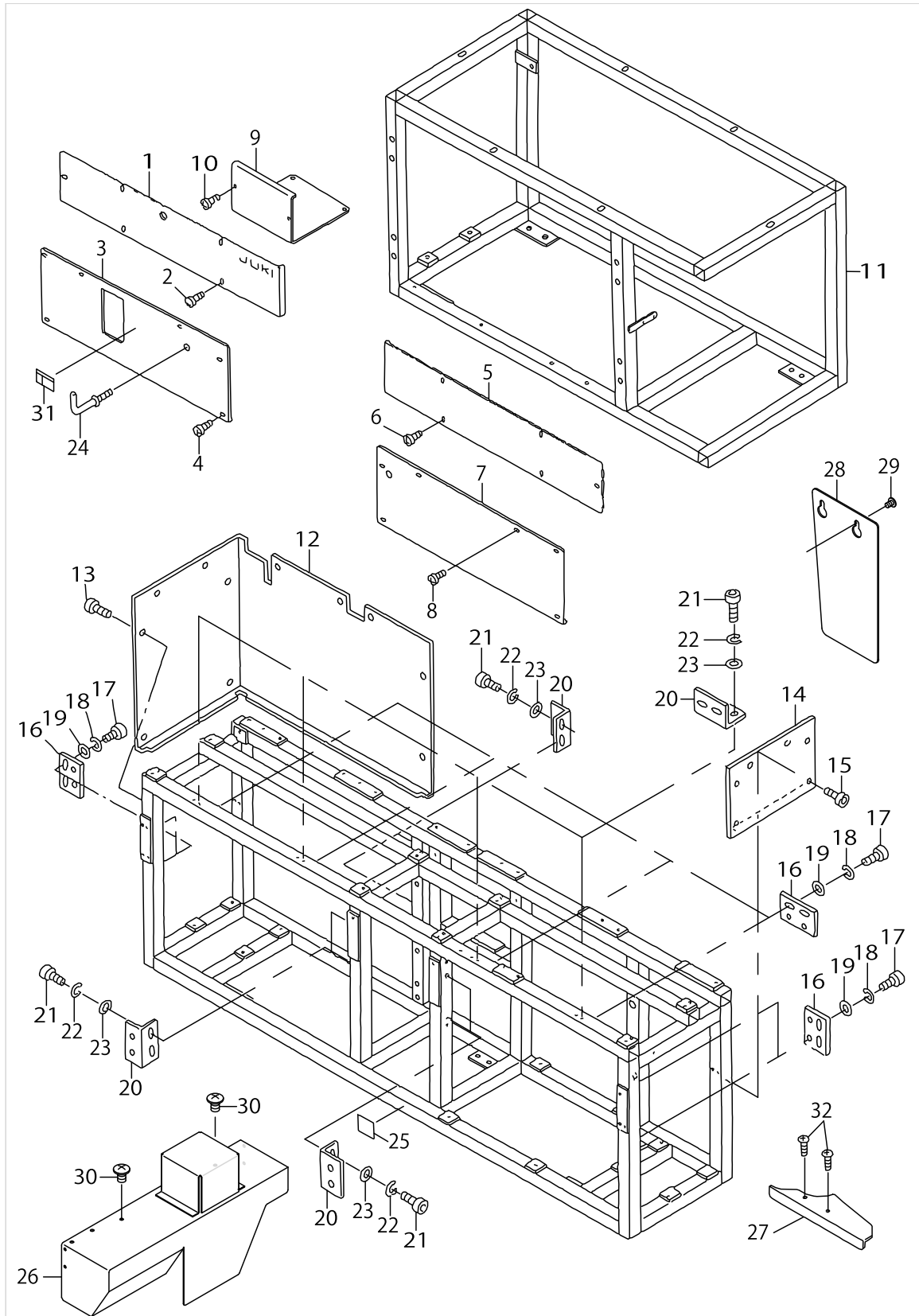
FRAME COMPONENTS



FRAME COMPONENTS

No.	Supply Code	Parts No.	Replacement	Parts name	Remarks	Choice	Step	Level	Cons	Qty	Rep. QTY
47		G5023164000		STAY						1	

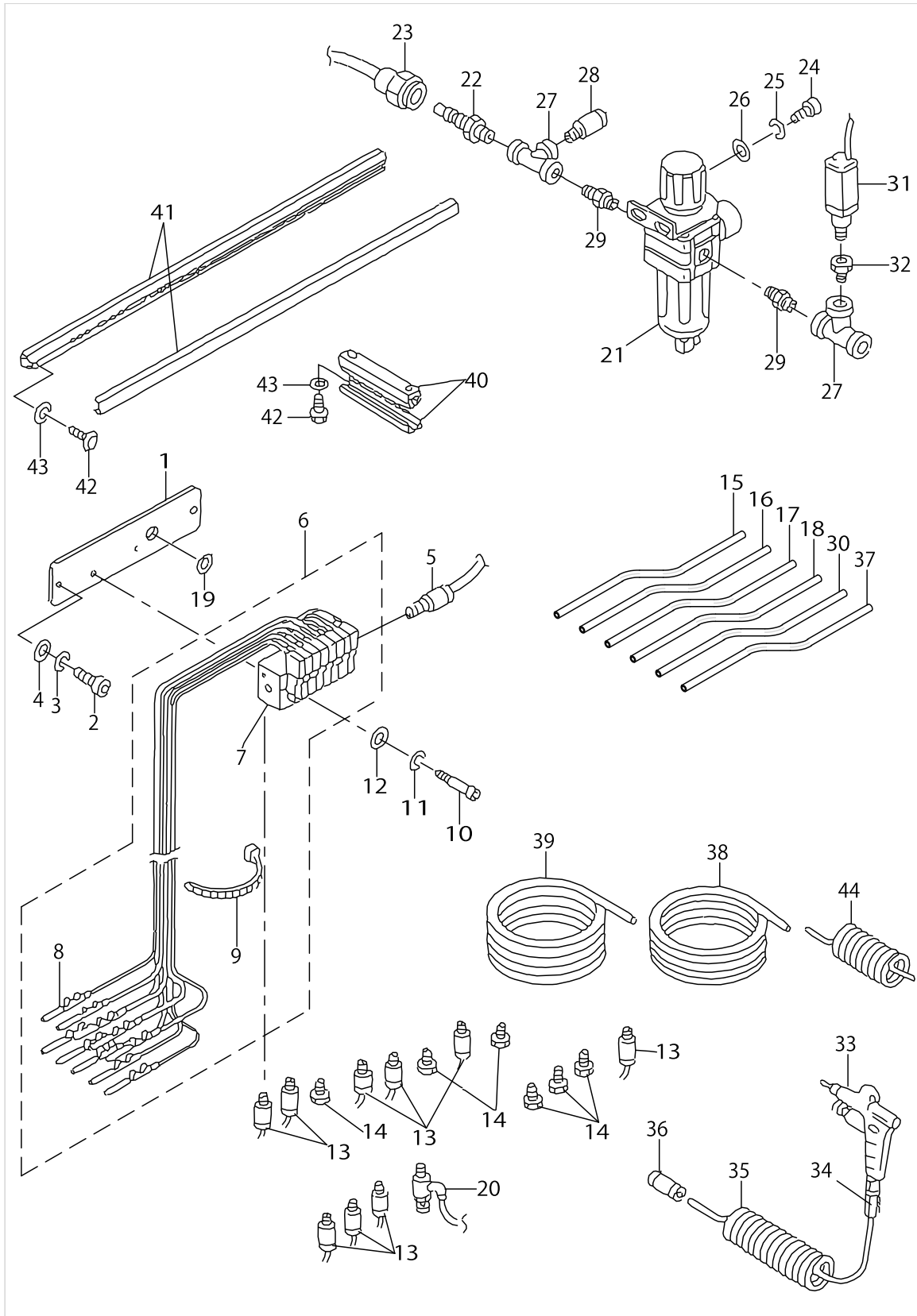
COVER COMPONENTS



COVER COMPONENTS

No.	Supply Code	Parts No.	Replacement	Parts name	Remarks	Choice	Step	Level	Cons	Qty	Rep. QTY
1		G5034164000		RIGHT UPPER COVER						1	
2		SM0040601SA		SCREW						5	
3		G5036164000		RIGHT LOWERCOVER						1	
4		SM0040601SA		SCREW						6	
5		G5033164000		LEFT UPPER COVER						1	
6		SM0040601SA		SCREW						5	
7		G5035164000		LEFT LOWER COVER						1	
8		SM0040601SA		SCREW						6	
9		G5039164000		MIDDLE COVER						1	
10		SM0040601SA		SCREW						2	
11		G5401164A00		MACHINE BASE						1	
12		G5037164000		LEFT SIDE COVER						1	
13		SM0040601SA		SCREW						11	
14		G5038164000		RIGHT SIDE COVER						1	
15		SM0040601SA		SCREW						6	
16		G5040164000		COVER SUPPORT, B						8	
17		SM6040802TP		SCREW M4X0.7 L=8						16	
18		WS0410002KN		SPRING WASHER						16	
19		WP0430801SC		WASHER 4.3X9X0.8						16	
20		G5034171000		COVER SUPPORT						14	
21		SM6040802TP		SCREW M4X0.7 L=8						28	
22		WS0410002KN		SPRING WASHER						28	
23		WP0430801SC		WASHER 4.3X9X0.8						28	
24		G5026162000		HOOK						1	
25		16870206		GRAVITY SEAL						1	
26		GBR11105000B		UPPER COVER						1	
27		18222604		FRONT COVER A						1	
28		16586307		COVER,REAR						1	
29		SM0040601SC		SCREW M4X0.7 L=6						2	
30		SM0040601SA		SCREW						2	
31		CM300200202		SAFETY LABEL 2 (LARGE)	FOR JAPAN					1	
32		SM0040601SA		SCREW						2	

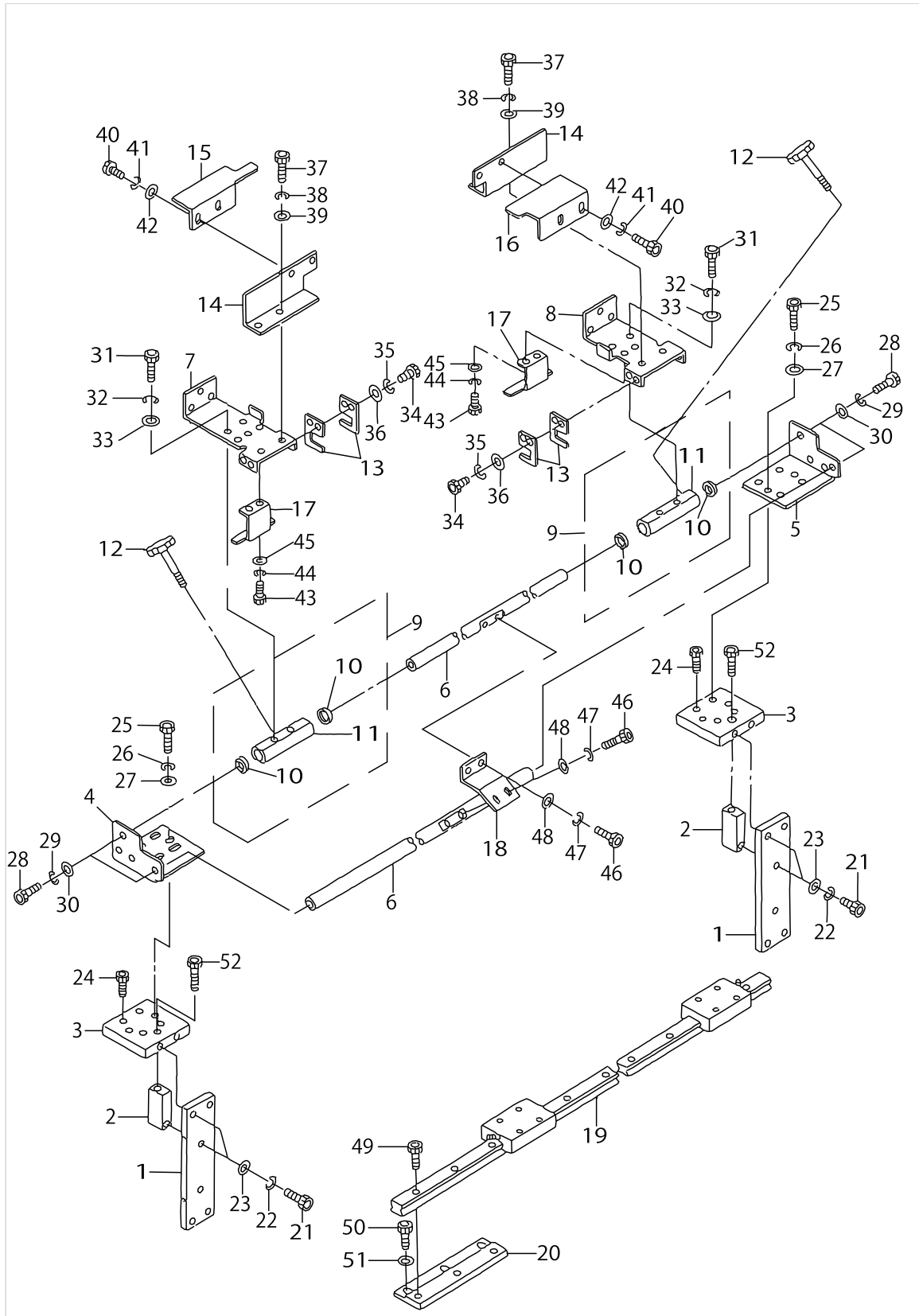
SOLENOID VALVE & REGULATOR COMPONENTS



SOLENOID VALVE & REGULATOR COMPONENTS

No.	Supply Code	Parts No.	Replacement	Parts name	Remarks	Choice	Step	Level	Cons	Qty	Rep. QTY
1		G5029164000		SOLENOID VALVE PLATE						1	
2		SM6061202TP		SCREW M6 L=12						2	
3		WS0610002KN		SPRING WASHER 6.1X12.2X1.5						2	
4		WP0641601SC		WASHER						2	
5		PJ301065103		HALF UNION 6XPT1/8						1	
6	D	G64011640A0		SOLENOID VALVE ASM. (1)						1	
7		PV1551080A0		SOLENOID VALVE				*		1	
8		HK03464000A		TERMINAL, FEMALE				*		16	
9		EA9500B0100		CABLE BAND				*		2	
10		SM6033052TP		SCREW						2	
11		WS0310002KN		SPRING WASHER M3						2	
12		WP0320501SC		WASHER M3						2	
13		PJ301040504		JOINTING						9	
14		PJ020500001		PLUG						6	
15		BT0400251E0		TUBE HOSE, CLEAR						1	
16		BT0400251EH		TUBE HOSE, YELLOWISH						1	
17		BT0400251EA		TUBE HOSE, BLUE						1	
18		BT0400251ED		TUBE HOSE, GREEN						1	
19	D	HX00055000J		RUBBER BUSHING						1	
20		PC010514000		SPEED CONTROLLER						1	
21		PF0552090A0		REGULATOR ASM.						1	
22		PJ309005203		QUICK JOINT PLUG						1	
23		PJ309005201		PLUG						1	
24		SM6061202TP		SCREW M6 L=12						2	
25		WS0610002KN		SPRING WASHER 6.1X12.2X1.5						2	
26		WP0641601SC		WASHER						2	
27		PJ050525201		TEE						2	
28		PJ301065201		HALF UNION 6XPT1/4						1	
29		PJ030520001		RING JOINT (NIPPLE)						2	
30		BT0400251EE		TUBE HOSE, RED						1	
31	D	G61071640A0		AIR PRESSURE SENSOR SW ASM.						1	
32		PJ015251001		BUSHING						1	
33		16111403		AIR GUN						1	
34	R	16111502	PJ304065102	SOCKET						1	1.00
35		G5458116000		CURLED TUBE						1	
36		PJ303060001		STRAIGHT UNION						1	
37		BT0400251EC		TUBE HOSE, YELLOW						1	
38		BT0600401EB		TUBE						5	
39		BT0400251EB		URETHANE HOSE, BLACK						3	
40		G6801164000		DUCT, A						1	
41		G6802164000		DUCT, B						1	
42		SL4041081SF		SCREW M4 L=10						6	
43		WP0450801SD		WASHER 4.5X10X0.8						6	
44		G5046164000		TUBE						1	

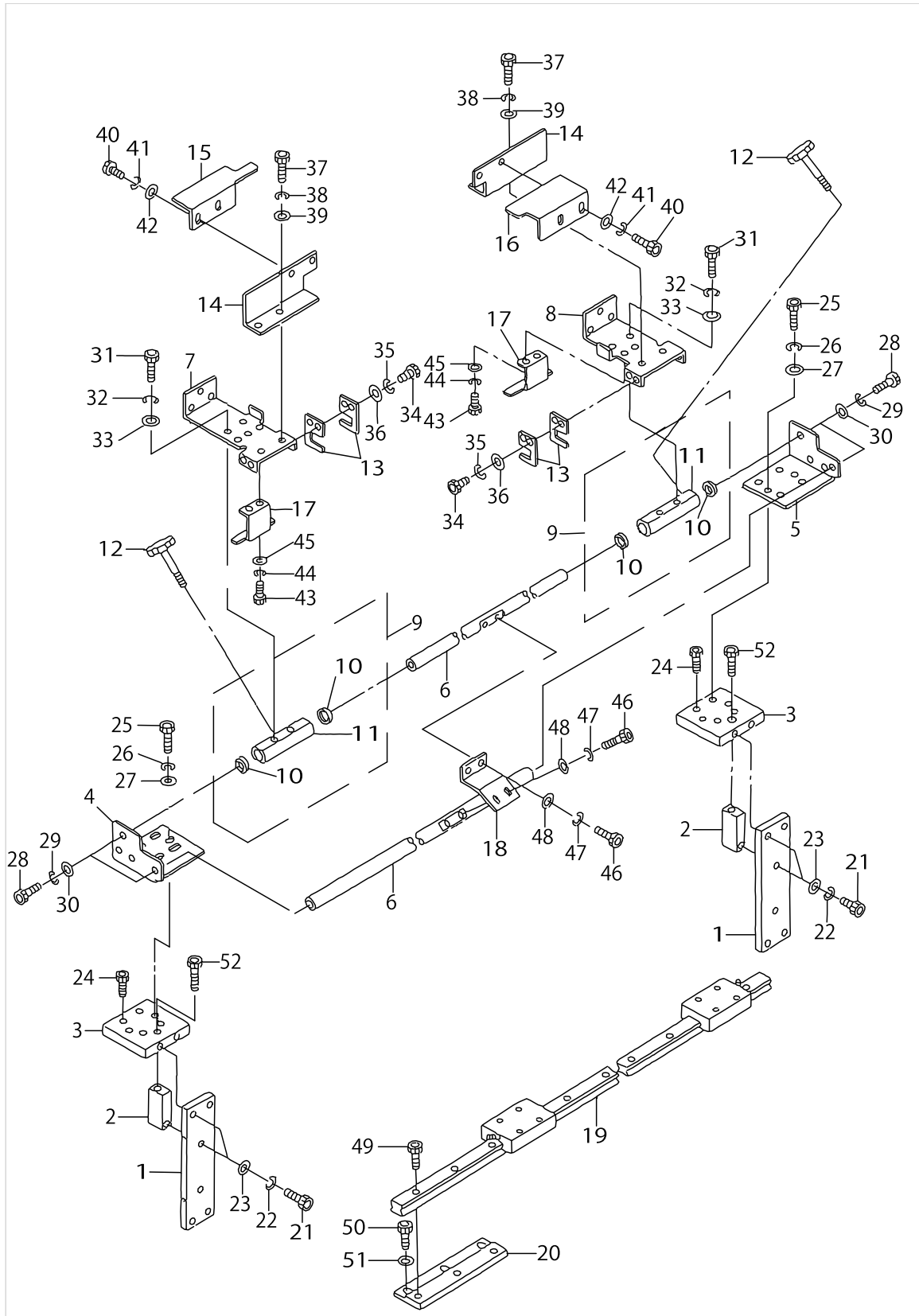
FEED MECHANISM COMPONENTS



FEED MECHANISM COMPONENTS

No.	Supply Code	Parts No.	Replacement	Parts name	Remarks	Choice	Step	Level	Cons	Qty	Rep. QTY
1		G5103164000		STAND						2	
2		G5104164000		STAND SUPPORT						2	
3		G5105164000		LM BASE						2	
4		G5106164000		SLIDER SHAFT SUPPORT, LEFT						1	
5	D	G5107164000		SLIDER SHAFT SUPPORT, RIGHT						1	
6	D	G5108164000		SLIDER SHAFT						2	
7		G5109164000		FEEDER MAIN FRAME						1	
8		G5110164000		FEEDER MAIN FRAME, RIGHT						1	
9	D	G51111640A0		SLIDER SHAFT BLOCK ASM.						2	
10		G5113164000		BUSH				*		4	
11		G5112164000		SLIDER SHAFT HOLDER				*		2	
12		G5114164000		BUSH						2	
13		G5115164000		FIXED PLATE						4	
14		G5120164000		PLATE SUPPORT						2	
15	D	G5121164000		CLAMP PLATE, LEFT						1	
16	D	G5122164000		CLAMPPLATE, RIGHT						1	
17		G5123164000		SENSOR PLATE						2	
18		G5134164000		COUPLING PLATE						1	
19		G5010164000		FEED RAIL						1	
20		G5009164000		FEED RAIL SUPPORT PLATE						6	
21		SM6062002TP		SCREW M6 L=20						6	
22		WS0610002KN		SPRING WASHER 6.1X12.2X1.5						6	
23		WP0641601SC		WASHER						6	
24		SM6051202TP		SCREW M5X0.8 L=12						8	
25		SM6061202TP		SCREW M6 L=12						4	
26		WS0610002KN		SPRING WASHER 6.1X12.2X1.5						4	
27		WP0641601SC		WASHER						4	
28		SM6061602TP		SCREW M6 L=16						4	
29		WS0610002KN		SPRING WASHER 6.1X12.2X1.5						4	
30		WP0641601SC		WASHER						4	
31		SM6061002TP		SCREW M6 L=10						4	
32		WS0610002KN		SPRING WASHER 6.1X12.2X1.5						4	
33		WP0641601SC		WASHER						4	
34		SM6041002TP		SCREW M4 L=10						4	
35		WS0410002KN		SPRING WASHER						4	
36		WP0430801SC		WASHER 4.3X9X0.8						4	
37		SM6040802TP		SCREW M4X0.7 L=8						4	
38		WS0410002KN		SPRING WASHER						4	
39		WP0430801SC		WASHER 4.3X9X0.8						4	
40		SM6040802TP		SCREW M4X0.7 L=8						4	
41		WS0410002KN		SPRING WASHER						4	
42		WP0430801SC		WASHER 4.3X9X0.8						4	
43		SM6040802TP		SCREW M4X0.7 L=8						4	
44		WS0410002KN		SPRING WASHER						4	
45		WP0430801SC		WASHER 4.3X9X0.8						4	
46		SM6061202TP		SCREW M6 L=12						4	

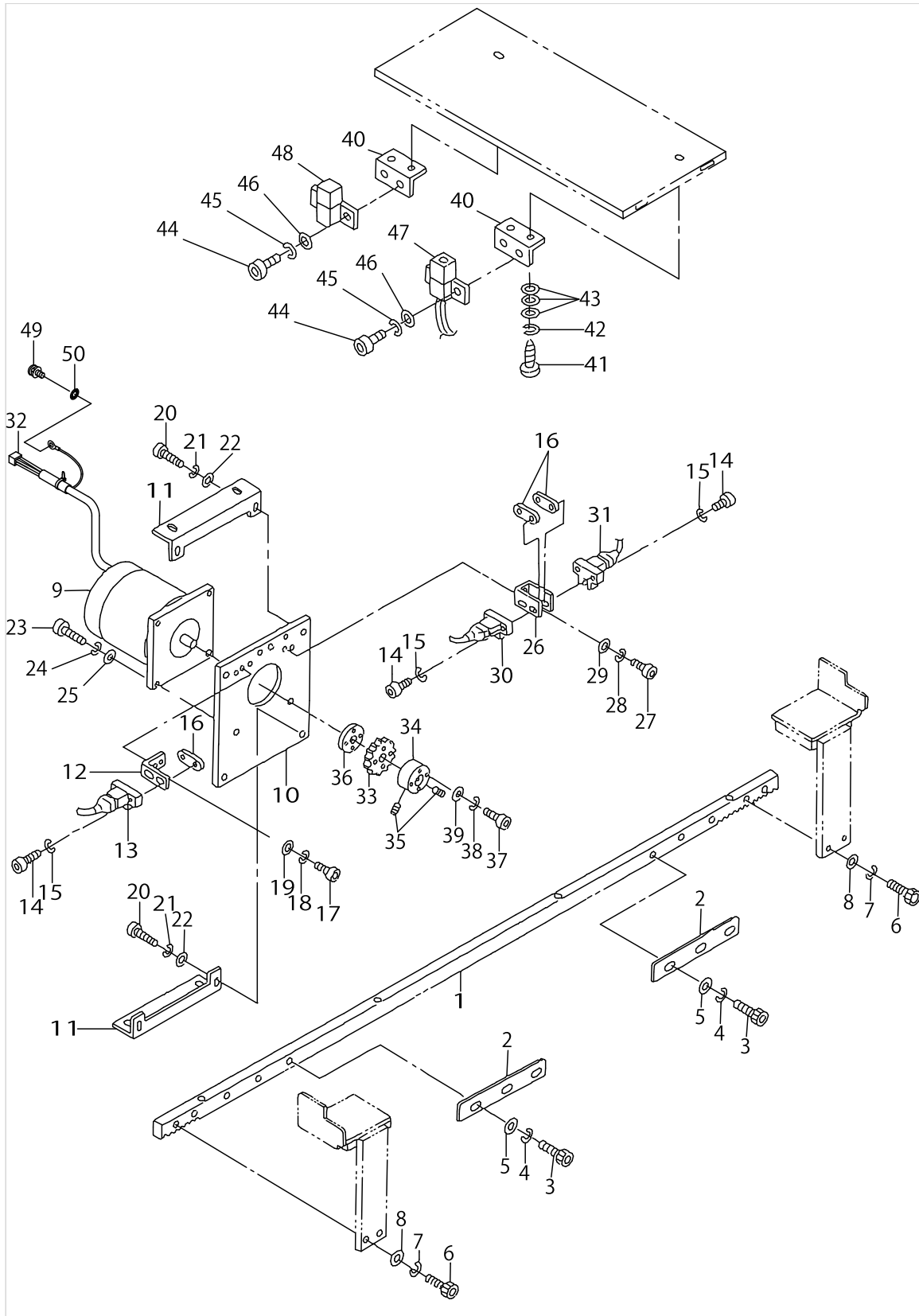
FEED MECHANISM COMPONENTS



FEED MECHANISM COMPONENTS

No.	Supply Code	Parts No.	Replacement	Parts name	Remarks	Choice	Step	Level	Cons	Qty	Rep. QTY
47		WS0610002KN		SPRING WASHER 6.1X12.2X1.5						4	
48		WP0641601SC		WASHER						4	
49		SM6051202TP		SCREW M5X0.8 L=12						18	
50		SM6051202TP		SCREW M5X0.8 L=12						18	
51		WP0621016SH		WASHER						18	
52		SM6062002TP		SCREW M6 L=20						2	

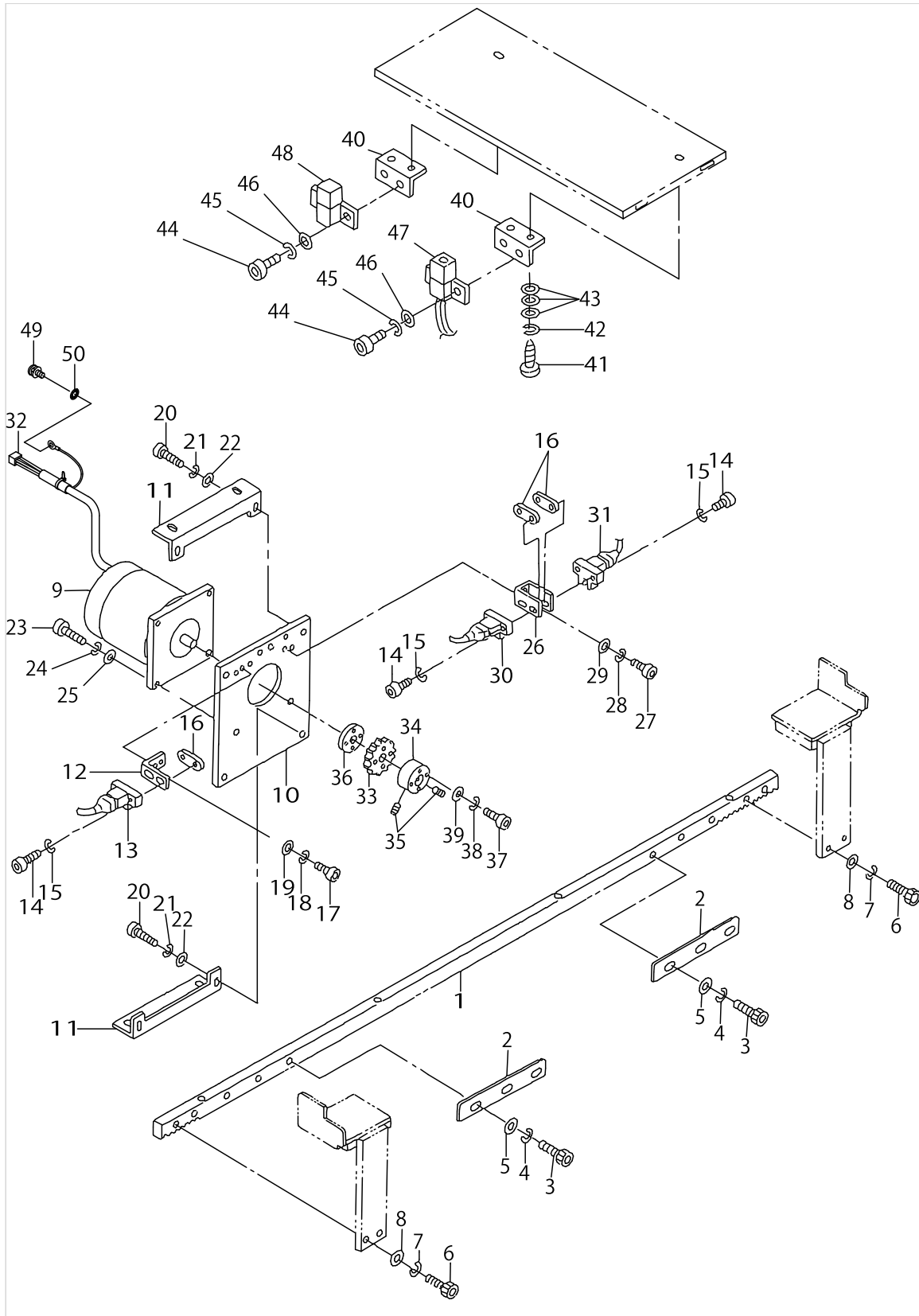
FEED MECHANISM DRIVE & SWITCH COMPONENTS



FEED MECHANISM DRIVE & SWITCH COMPONENTS

No.	Supply Code	Parts No.	Replacement	Parts name	Remarks	Choice	Step	Level	Cons	Qty	Rep. QTY
1		G5101164000		RACK						1	
2		G5102164000		ORIGINAL POINT SENSOR PLATE						2	
3		SM6040802TP		SCREW M4X0.7 L=8						6	
4		WS0410002KN		SPRING WASHER						6	
5		WP0430801SC		WASHER 4.3X9X0.8						6	
6		SM6062002TP		SCREW M6 L=20						4	
7		WS0610002KN		SPRING WASHER 6.1X12.2X1.5						4	
8		WP0641601SC		WASHER						4	
9		HM000570000		STEPPING MOTOR						1	
10		G5012164000		PM INSTALLING PLATE						1	
11		G5011164000		PM FIXED BASE						2	
12		G5013164000		SENSOR INSTALLING PLATE						1	
13		G61021640A0		SPEED TRANSMISS- ION SENSOR SW						1	
14		SM6031502TP		SCREW M3 X 15						6	
15		WS0310002KN		SPRING WASHER M3						6	
16		G5153171000		SENSOR PLATE						3	
17		SM6040802TP		SCREW M4X0.7 L=8						2	
18		WS0410002KN		SPRING WASHER						2	
19		WP0430801SC		WASHER 4.3X9X0.8						2	
20		SM6061202TP		SCREW M6 L=12						4	
21		WS0610002KN		SPRING WASHER 6.1X12.2X1.5						4	
22		WP0641601SC		WASHER						4	
23		SM6082502TN		BOLT						4	
24		WS0820002KN		SPRING WASHER M8						4	
25		WP0841601SC		WASHER 8.4X17.4X1.6						4	
26		G5014164000		SENSOR INSTALLING PLATE						1	
27		SM6040802TP		SCREW M4X0.7 L=8						2	
28		WS0410002KN		SPRING WASHER						2	
29		WP0430801SC		WASHER 4.3X9X0.8						2	
30	D	G61011640A0		HOME POSITION SE- NSOR SW ASM.						1	
31		G61031640A0		DISCRIMINATION SW ASM.						1	
32		G65021640A0		PULCE MOTOR CORD ASM.						1	
33		G5109171000		FEED BLOCK GEAR						1	
34		G5110171000		BOSS						1	
35		SM8060802TP		SCREW M6 L=8						2	
36	D	G5111171000		GEAR HOLDER						1	
37		SM6033052TP		SCREW						4	
38		WS0310002KN		SPRING WASHER M3						4	
39		WP0320501SC		WASHER M3						4	
40		G5019164000		SENSOR INSTALLING PLATE						2	
41		SK3311301SA		WOOD SCREW D=3.1 L=13						4	
42		WS0410002KN		SPRING WASHER						4	
43		WP0430801SC		WASHER 4.3X9X0.8						12	
44		SM6030802TP		SCREW M3X0.5 L=8						4	
45		WS0310002KN		SPRING WASHER M3						4	

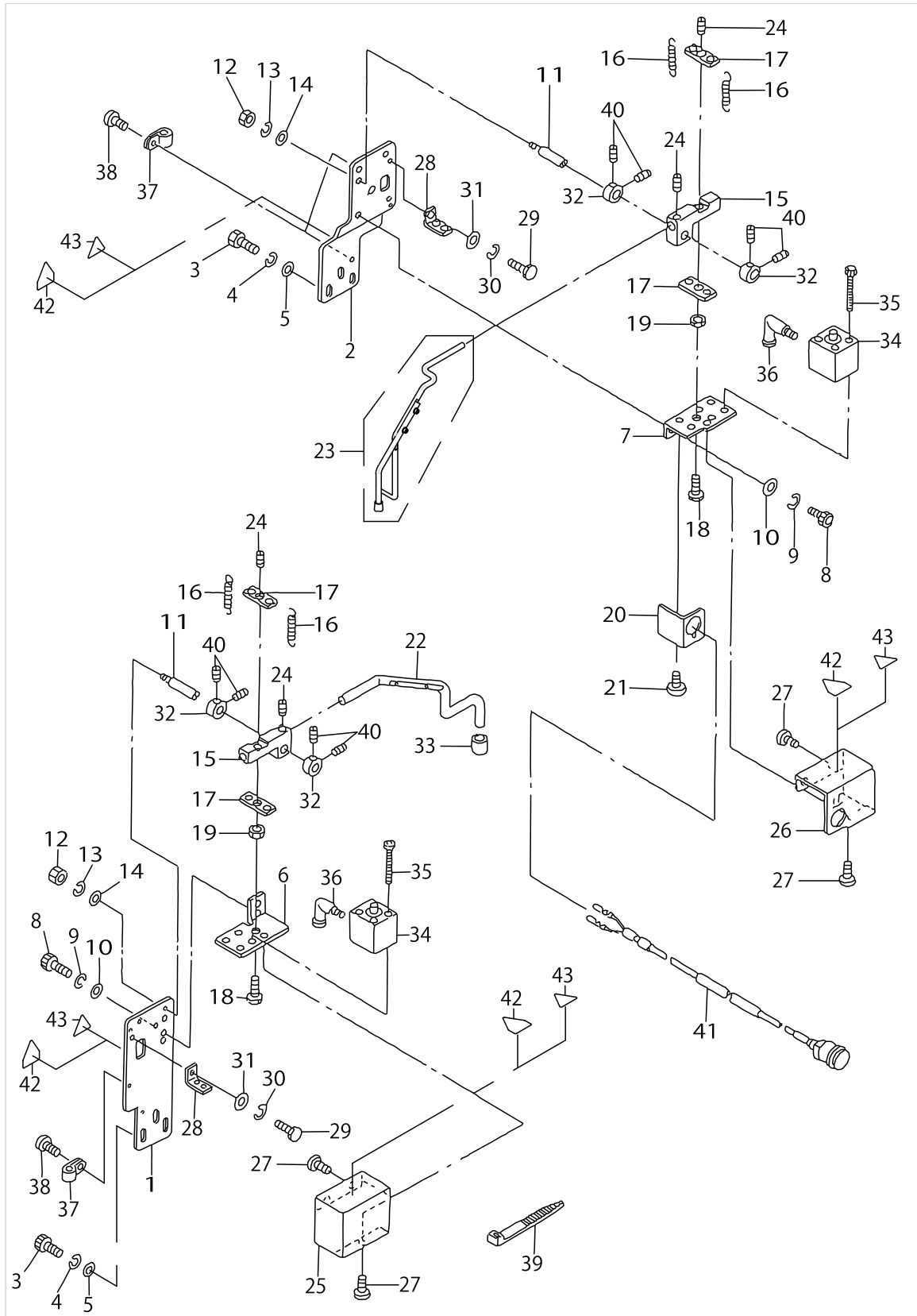
FEED MECHANISM DRIVE & SWITCH COMPONENTS



FEED MECHANISM DRIVE & SWITCH COMPONENTS

No.	Supply Code	Parts No.	Replacement	Parts name	Remarks	Choice	Step	Level	Cons	Qty	Rep. QTY
46		WP0320501SC		WASHER M3						4	
47		G61101640A0		CLOTH EDGE SENSOR 1 ASM.						1	
48		G61111640A0		CLOTH EDGE SENSOR 2 ASM.						1	
49		SL4041081SF		SCREW M4 L=10						1	
50		WT0430001KN		TOOTHED WASHER						1	

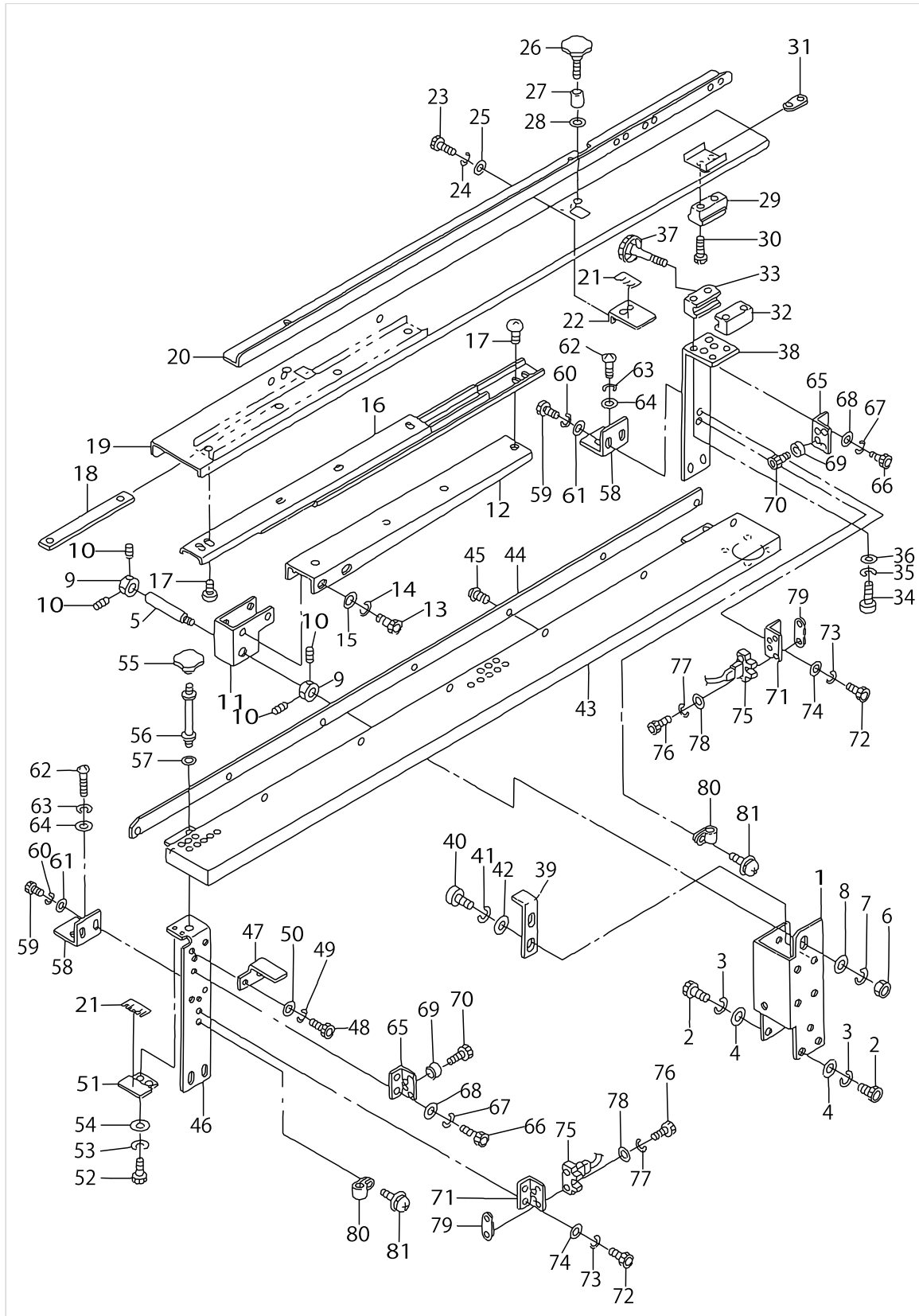
CLAMP ARM COMPONENTS



CLAMP ARM COMPONENTS

No.	Supply Code	Parts No.	Replacement	Parts name	Remarks	Choice	Step	Level	Cons	Qty	Rep. QTY
1		G5116164000		CLAMP PLATE, LEFT						1	
2	D	G5117164000A		CLAMPPLATE, RIGHT						1	
3		SM6061202TP		SCREW M6 L=12						6	
4		WS0610002KN		SPRING WASHER 6.1X12.2X1.5						6	
5		WP0641601SC		WASHER						6	
6		G5118164000		CLAMP CYLINDER PLATE, LEFT						1	
7	D	G5119164000		CLAMP CYLINDER PLATE, RIGHT						1	
8		SM6061202TP		SCREW M6 L=12						4	
9		WS0610002KN		SPRING WASHER 6.1X12.2X1.5						4	
10		WP0641601SC		WASHER						4	
11		G5124164000		CLAMP SHAFT						2	
12		NM6060001SC		NUT M6						2	
13		WS0610002KN		SPRING WASHER 6.1X12.2X1.5						2	
14		WP0641601SC		WASHER						2	
15		G5125164000		CLAMP HOLDER						2	
16		G5126164000		SPRING						4	
17	D	G5127164000		SPRING HOOK						4	
18		G5128164000		TENSION BOLT						2	
19		NM6060001SC		NUT M6						2	
20		G5129164000		SWITCH INSTALLING PLATE						1	
21		G5144162000		SCREW						2	
22		G5130164A00		CLAMP, LEFT						1	
23		G51311640A0		CLAMP FOOT ASM., RIGHT						1	
24		SM8040402TP		SCREW M4X0.7 L=4						4	
25		G5132164000		CLAMP COVER, LEFT						1	
26	D	G5133164000		CLAMP COVER, RIGHT						1	
27		G5144162000		SCREW						6	
28		B4131357000		NEEDLE GUARD AD- JUSTING GUIDE						2	
29		SM9041050SC		SCREW M4X0.7 L=10						2	
30		WS0410002KN		SPRING WASHER						2	
31		WP0430801SC		WASHER 4.3X9X0.8						2	
32	R	G2526270000	E4704172000	COLLAR						4	1.00
33		G5138161000		RUBBER CAP						1	
34		PA160100500		AIR CYLINDER						2	
35		SM6033052TP		SCREW						8	
36		PJ304040504		ELBOW UNION						2	
37		HX00150000A		CABLE CLAMP						4	
38		SM0040601SA		SCREW						4	
39		EA9500B0100		CABLE BAND						6	
40		SM8040402TP		SCREW M4X0.7 L=4						8	
41	D	G61121640A0		CLOTH PRESSER C- ANCELLATION SW						1	
42		CM3002000B2		LABEL(25).	FOR JAPAN					4	
43		CM300200003		ATTENTION LABEL	FOR JE					4	

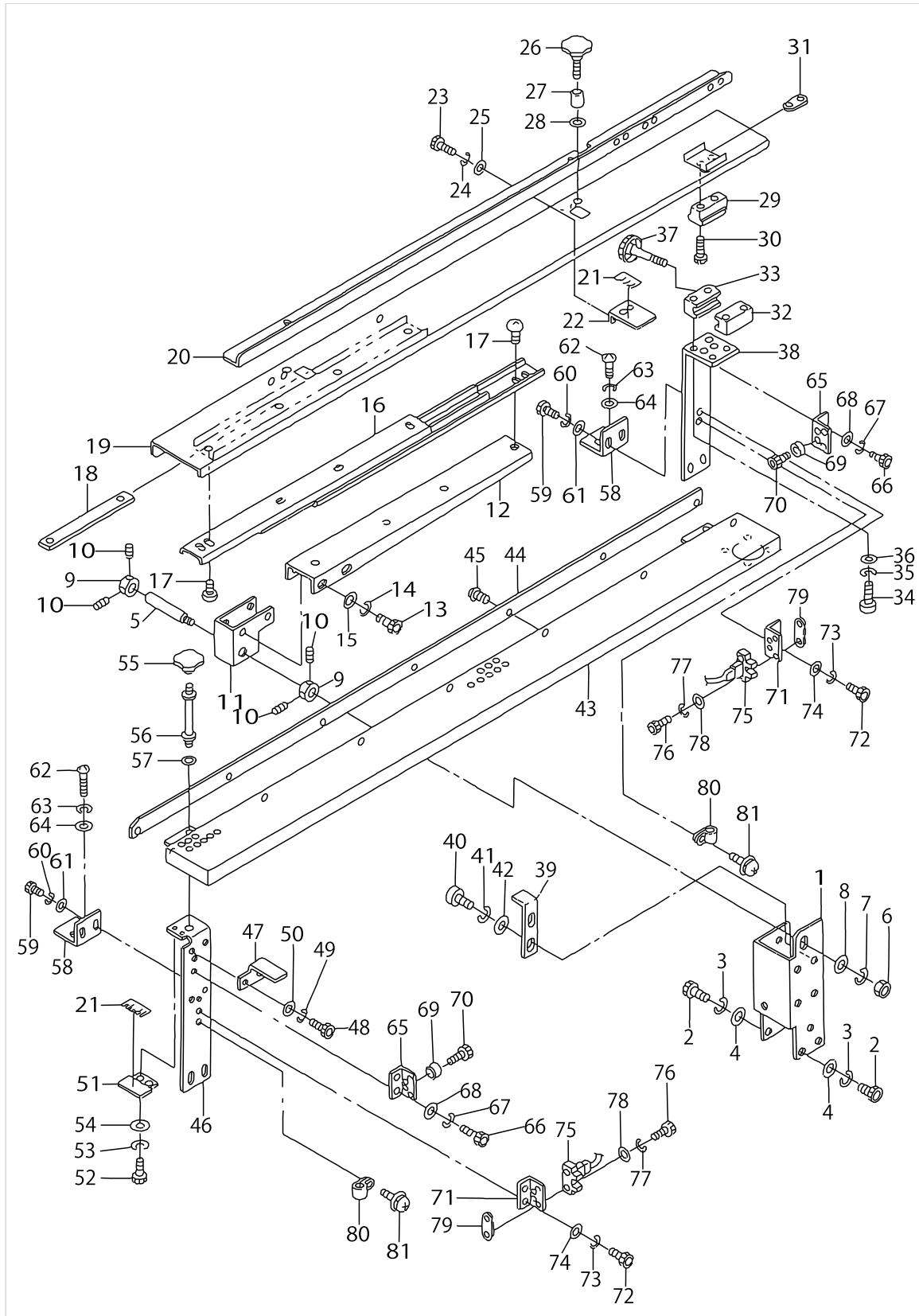
SET PLATE COMPONENTS



SET PLATE COMPONENTS

No.	Supply Code	Parts No.	Replacement	Parts name	Remarks	Choice	Step	Level	Cons	Qty	Rep. QTY
1		G5301164000		LEFT INSTALLING BASE						1	
2		SM6061202TP		SCREW M6 L=12						6	
3		WS0610002KN		SPRING WASHER 6.1X12.2X1.5						6	
4		WP0641601SC		WASHER						6	
5		G5302164000		TURNING SHAFT						1	
6		NM6080001SC		NUT M8X1.25						1	
7		WS0820002KN		SPRING WASHER M8						1	
8		WP0841601SC		WASHER 8.4X17.4X1.6						1	
9		G2543270000		SHAFT STOP COLLAR A						2	
10		SM8040402TP		SCREW M4X0.7 L=4						4	
11		G5303164000		RAIL INSTALLING P-LATE BRACKET						1	
12		G5304164000		RAIL INSTALLING PLATE						1	
13		SM6061202TP		SCREW M6 L=12						4	
14		WS0610002KN		SPRING WASHER 6.1X12.2X1.5						4	
15		WP0641601SC		WASHER						4	
16		G5305164000		SLIDER RAIL						1	
17		SM0040601SA		SCREW						8	
18		G5306164000		RAIL FIXED PLATE						2	
19		G5307164000		SET PLATE, LEFT						1	
20		G5308164000		GUIDE, LEFT						1	
21		G5309164000		SCALE						4	
22	D	G5310164000		SCALE PLATE, LEFT						2	
23		SM6040802TP		SCREW M4X0.7 L=8						4	
24		WS0410002KN		SPRING WASHER						4	
25		WP0430801SC		WASHER 4.3X9X0.8						4	
26		G5311164000		KNOB, MALE						2	
27		G5312164000		COLLAR						2	
28		WP0641601SC		WASHER						2	
29		G5315164000		BLOCK						1	
30		SM6042002TP		SCREW M4X0.7 L=20						2	
31		G5146171000		CLAMP FIXING PLATE						1	
32		G5313164000		BLOCK.A						1	
33		G5314164000		BLOCK B						1	
34		SM6041202TP		SCREW M4X0.7 L=12						4	
35		WS0410002KN		SPRING WASHER						4	
36		WP0430801SC		WASHER 4.3X9X0.8						4	
37		G5316164000		FIXED SCREW						1	
38		G5006164000		SET PLATE SUPPORT, LEFT						1	
39		G5332164000		STOPPER						1	
40		SM6061202TP		SCREW M6 L=12						2	
41		WS0610002KN		SPRING WASHER 6.1X12.2X1.5						2	
42		WP0641601SC		WASHER						2	
43	D	G5327164000		SET PLATE, RIGHT						1	
44	D	G5328164000		GUIDE, RIGHT						1	
45		SM0030601SA		SCREW M3X0.5 L=6						7	
46		G5007164000		SET PLATE SUPPORT, RIGHT						1	

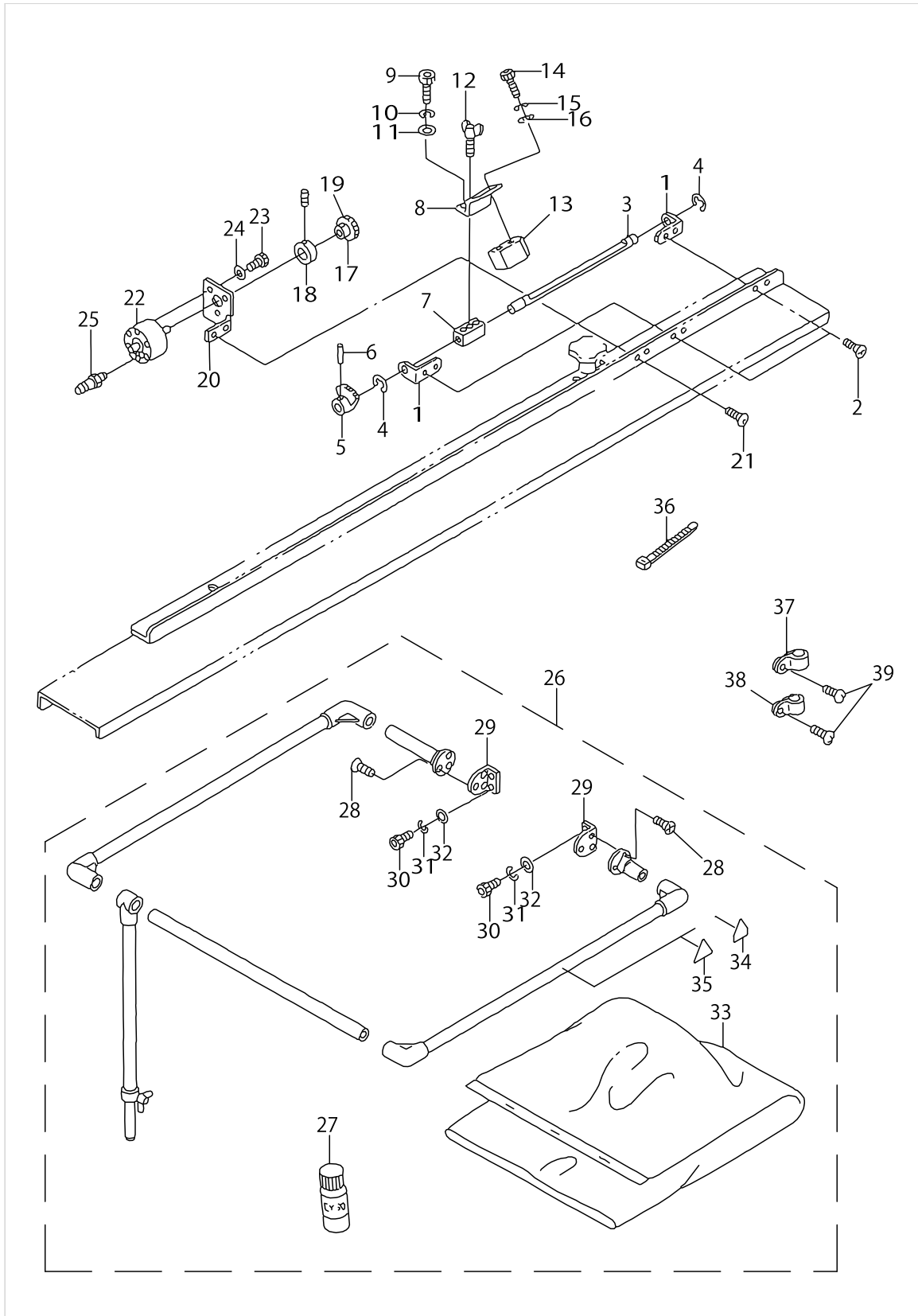
SET PLATE COMPONENTS



SET PLATE COMPONENTS

No.	Supply Code	Parts No.	Replacement	Parts name	Remarks	Choice	Step	Level	Cons	Qty	Rep. QTY
47	D	G5030164000		SUPPORT PLATE						1	
48		SM6061202TP		SCREW M6 L=12						2	
49		WS0610002KN		SPRING WASHER 6.1X12.2X1.5						2	
50		WP0641601SC		WASHER						2	
51	D	G5329164000		SCALE PLATE, RIGHT						2	
52		SM6040602TP		SCREW M4 L=6						4	
53		WS0410002KN		SPRING WASHER						4	
54		WP0430801SC		WASHER 4.3X9X0.8						4	
55		G5330164000		KNOB, FEMALE						2	
56	D	G5331164000		HANDLE EXTENSION						2	
57		WP0641601SC		WASHER						2	
58		G5403164000		FIXED PLATE						3	
59		SM6061002TP		SCREW M6 L=10						6	
60		WS0610002KN		SPRING WASHER 6.1X12.2X1.5						6	
61		WP0641601SC		WASHER						6	
62		SK3381601SC		WOOD SCREW D=3.8 L=16						6	
63		WS0410002KN		SPRING WASHER						6	
64		WP0430801SC		WASHER 4.3X9X0.8						6	
65		G5008164000		STOPPER						2	
66		SM6040802TP		SCREW M4X0.7 L=8						4	
67		WS0410002KN		SPRING WASHER						4	
68		WP0430801SC		WASHER 4.3X9X0.8						4	
69		G5384171000		RUBBER FOOT						2	
70		SM6031002TP		HEXAGONAL BOLT M3 X 10						2	
71		G5008164000		STOPPER						2	
72		SM6040802TP		SCREW M4X0.7 L=8						4	
73		WS0410002KN		SPRING WASHER						4	
74		WP0430801SC		WASHER 4.3X9X0.8						4	
75		G61051640A0		PRESSER POSITION SW ASM.						2	
76		SM6031502TP		SCREW M3 X 15						4	
77		WS0310002KN		SPRING WASHER M3						4	
78		WP0320501SC		WASHER M3						4	
79		G5153171000		SENSOR PLATE						2	
80		HX001500000		CLIP						2	
81		SL4041081SF		SCREW M4 L=10						2	

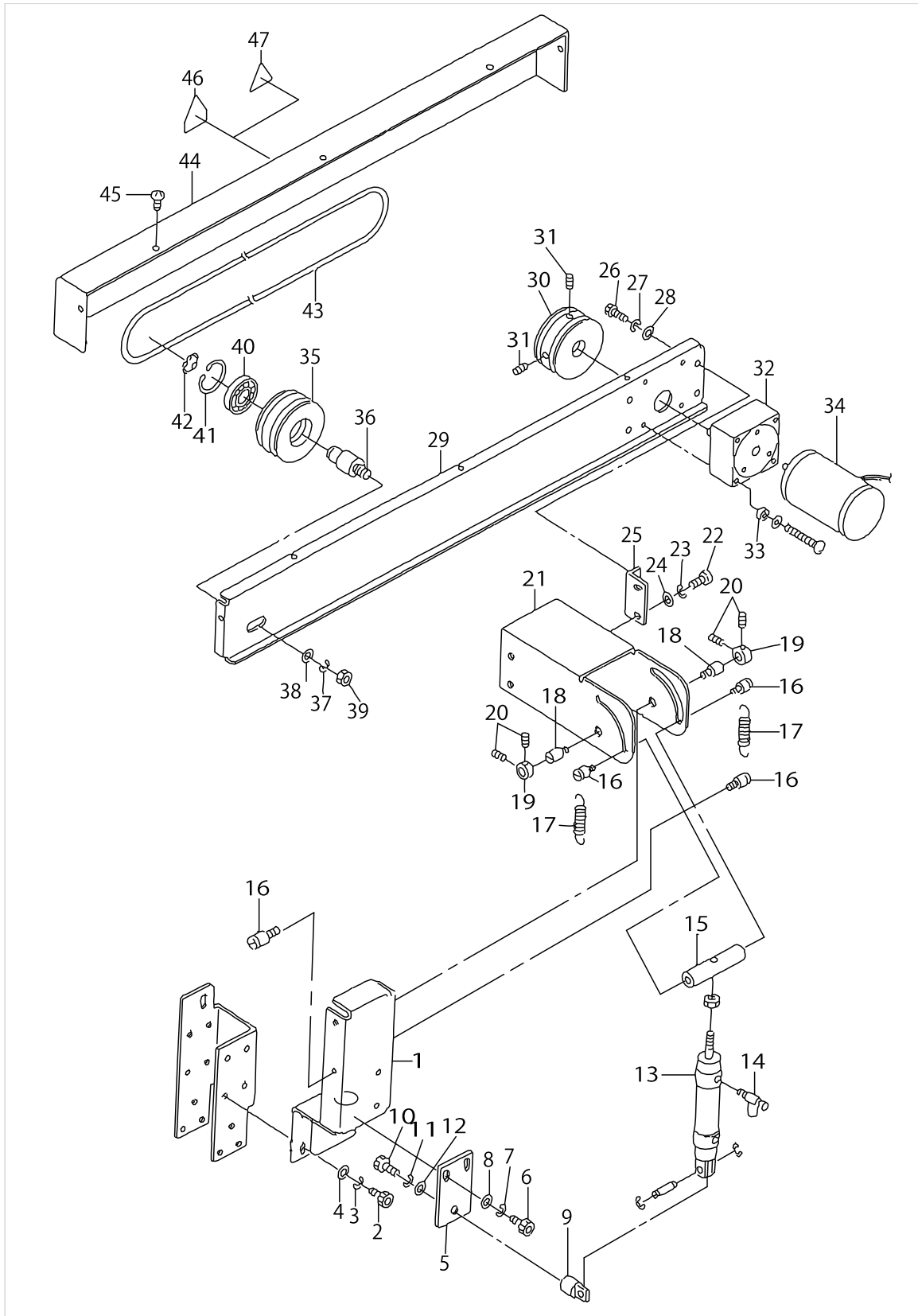
GAUGE & STACKER GUARD COMPONENTS



GAUGE & STACKER GUARD COMPONENTS

No.	Supply Code	Parts No.	Replacement	Parts name	Remarks	Choice	Step	Level	Cons	Qty	Rep. QTY
1		G5317164000		BRACKET						2	
2		SM1030601SC		SCREW M3 L=6						4	
3		G5318164000		GAUGE SHAFT						1	
4		RE0400000K0		E-RING 4						2	
5		G5321164000		GAUGE DRIVEN GEAR						1	
6		PS0160122KH		SPRING PIN 1.6X12						1	
7		G5323164000		GAUGE BLOCK						1	
8	D	G5324164000		GAUGE INSTALLING PLATE						1	
9		SM6040602TP		SCREW M4 L=6						2	
10		WS0410002KN		SPRING WASHER						2	
11		WP0430801SC		WASHER 4.3X9X0.8						2	
12		G5326164000		SCREW						1	
13		G5325164000		GAUGE (FOR MAN)						1	
14		SM6031202TP		SCREW M3X0.5 L=12						2	
15		WS0310002KN		SPRING WASHER M3						2	
16		WP0320501SC		WASHER M3						2	
17	D	G5319164000		GEAR						1	
18	D	G5320164000		RETAINING RING						1	
19		SM8030502TP		SCREW M3 L=5						1	
20	D	G5322164000		INSTALLING PLATE						1	
21		SM1030601SC		SCREW M3 L=6						2	
22		PA800012000		AIR CYLINDER						1	
23		SM6030602TP		SCREW M3X0.5 L=6						3	
24		WP0320501SC		WASHER M3						3	
25		PJ210304010		HALF UNION						2	
26	D	G52401640A0		STACKER GUARD ASM.						1	
27		G5242164000		PIPE ADHESIVE CEMENT				*		1	
28		SM1030801SC		SCREW M3 L=8				*		6	
29		G5243164000		PIPE SUPPORT				*		2	
30		SM6050802TP		SCREW M5X0.8 L=8				*		4	
31		WS0510002KN		SPRING WASHER				*		4	
32		WP0531001SC		WASHER				*		4	
33		GSS29212000		VINYL BAG				*		1	
34		CM3002000B1		LABEL(16)	FOR JAPAN			*		1	
35		CM300200003		ATTENTION LABEL	FOR JE			*		1	
36		EA9500B0100		CABLE BAND						3	
37		HX00150000F		CABLE CLIP						1	
38		HX00150000A		CABLE CLAMP						1	
39		SL4041081SF		SCREW M4 L=10						2	

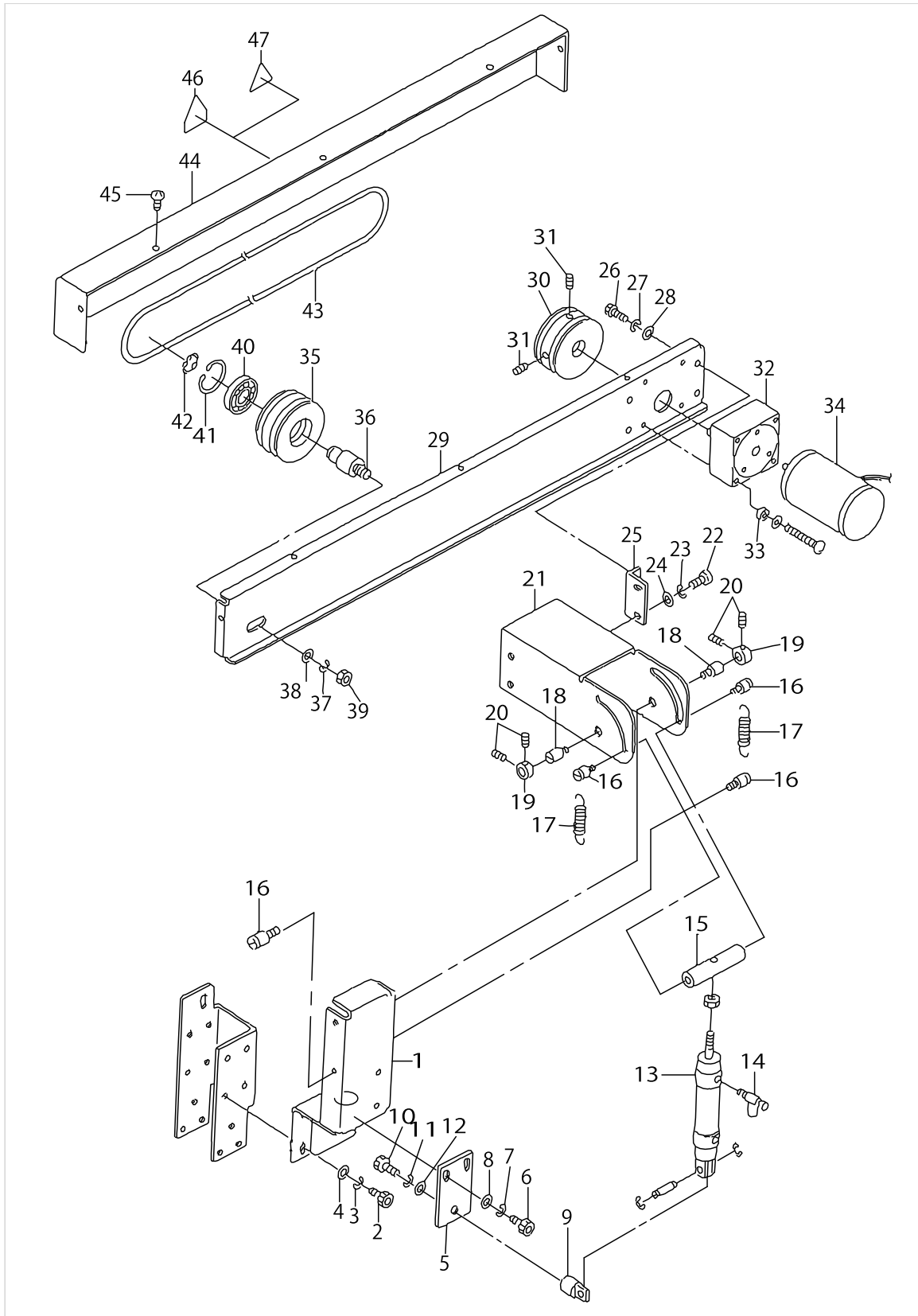
CONVEYOR COMPONENTS



CONVEYOR COMPONENTS

No.	Supply Code	Parts No.	Replacement	Parts name	Remarks	Choice	Step	Level	Cons	Qty	Rep. QTY
1	D	G5222164000		MOTOR BRACKET SUPPORT						1	
2		SM6061202TP		SCREW M6 L=12						4	
3		WS0610002KN		SPRING WASHER 6.1X12.2X1.5						4	
4		WP0641601SC		WASHER						4	
5		G5223164000		INSTALLING PLATE						1	
6		SM6061202TP		SCREW M6 L=12						2	
7		WS0610002KN		SPRING WASHER 6.1X12.2X1.5						2	
8		WP0641601SC		WASHER						2	
9		PX500017000		KNUCKLE JOINT						1	
10		SM6082002TN		SCREW M8 L=20						1	
11		WS0820002KN		SPRING WASHER M8						1	
12		WP0841601SC		WASHER 8.4X17.4X1.6						1	
13		PA2002513A0		AIR CYLINDER						1	
14		PC015108000		SPEED CONTROLLER						1	
15		G5221164000		KNOB						1	
16		B3410771000		SUSPENSION SCREW(A)						4	
17		B2710771000		SPRING						2	
18		G5225164000		STUD						2	
19	R	G2526270000	E4704172000	COLLAR						2	1.00
20		SM8040402TP		SCREW M4X0.7 L=4						4	
21		G5226164000		MOTOR BRACKET						1	
22		SM6061202TP		SCREW M6 L=12						4	
23		WS0610002KN		SPRING WASHER 6.1X12.2X1.5						4	
24		WP0641601SC		WASHER						4	
25		G5227164000		INSTALLING PLATE						2	
26		SM6061202TP		SCREW M6 L=12						4	
27		WS0610002KN		SPRING WASHER 6.1X12.2X1.5						4	
28		WP0641601SC		WASHER						4	
29		G5228164000		CONVEYER FRAME						1	
30		G5229164000		DRIVE PULLEY						1	
31		SM8040602TP		SCREW M4X0.7 L=6						2	
32		HM000770010		GEAR HEAD						1	
33		B1513210000		CLOTH PRESSER M-AGNET SPACER						4	
34	D	G62011640A0		CONVEYER MOTOR ASM.						1	
35	D	G5230164000		IDLER PULLEY						1	
36		G5231164000		IDLERPULLEY SHAFT						1	
37		WS1020002KN		SPRING WASHER M10						1	
38		WP1052001SC		WASHER 10,5X21X2						1	
39		NM6100001SC		NUT M10X1.5						1	
40		SB115000200		BEARING						1	
41		RC3500002KP		RETAINING RING 35						1	
42		RC0150001KP		RETAINING RING 13.8						1	
43		G5232164000		CONVEYER BELT						2	
44		G5233164000		CONVEYER COVER						1	
45		SM0040601SA		SCREW						5	
46		CM3002000B2		LABEL(25).	FOR JAPAN					1	

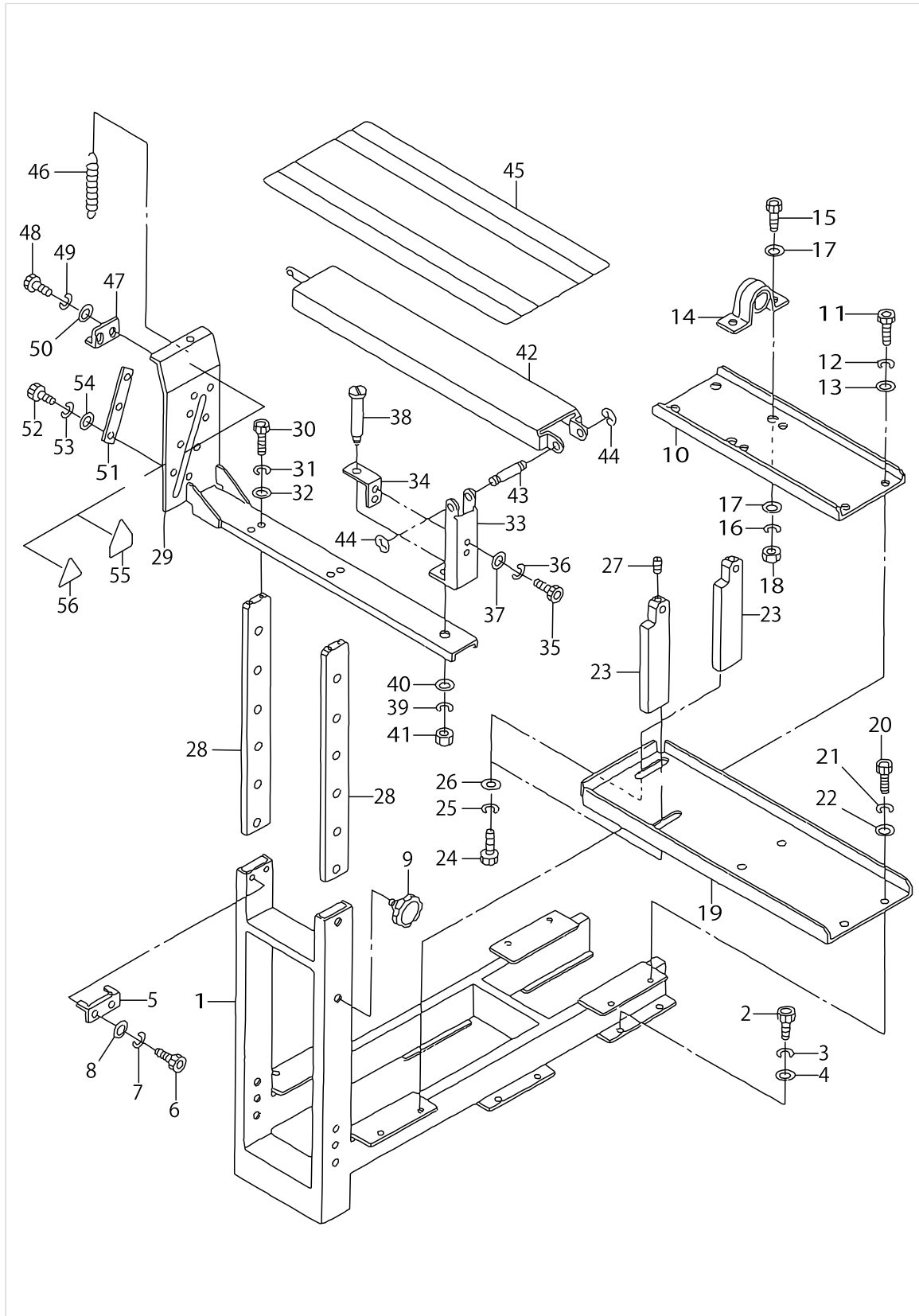
CONVEYOR COMPONENTS



CONVEYOR COMPONENTS

No.	Supply Code	Parts No.	Replacement	Parts name	Remarks	Choice	Step	Level	Cons	Qty	Rep. QTY
47		CM300200003		ATTENTION LABEL	FOR JE					1	

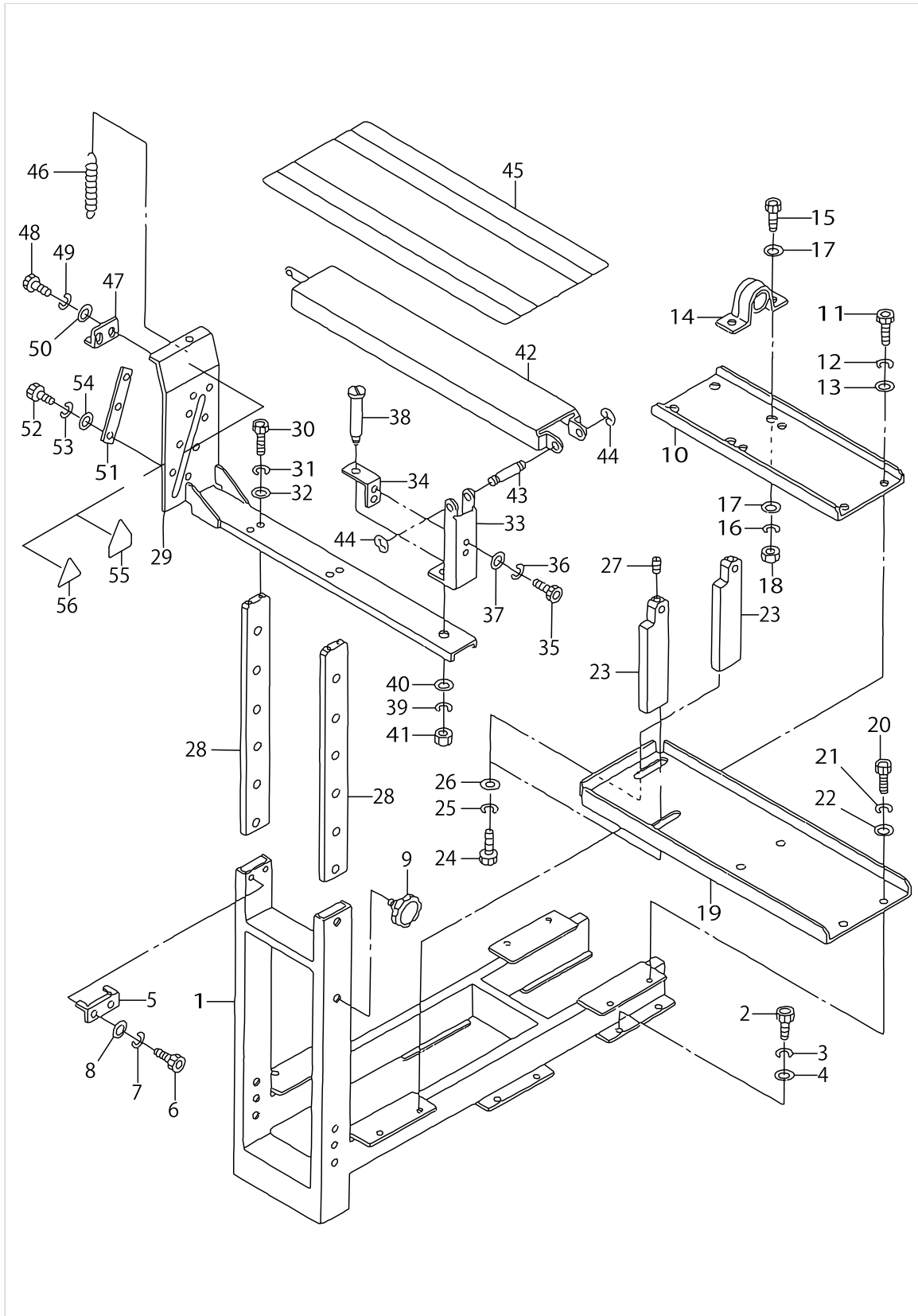
STACKER COMPONENTS



STACKER COMPONENTS

No.	Supply Code	Parts No.	Replacement	Parts name	Remarks	Choice	Step	Level	Cons	Qty	Rep. QTY
1		G5201164000		STACKER BASE						1	
2		SM6061202TP		SCREW M6 L=12						4	
3		WS0610002KN		SPRING WASHER 6.1X12.2X1.5						4	
4		WP0641601SC		WASHER						4	
5		G5210164000		SUPPORT PLATE						2	
6		SM6030602TP		SCREW M3X0.5 L=6						4	
7		WS0310002KN		SPRING WASHER M3						4	
8		WP0320501SC		WASHER M3						4	
9		G5220164000		KNOB						2	
10		G5202164000		PILLOW INSTALLING PLATE						1	
11		SM6061202TP		SCREW M6 L=12						4	
12		WS0610002KN		SPRING WASHER 6.1X12.2X1.5						4	
13		WP0641601SC		WASHER						4	
14		G5219164000		PILLOW UNIT \neq n						2	
15		SM6082002TN		SCREW M8 L=20						4	
16		WS0820002KN		SPRING WASHER M8						4	
17		WP0841601SC		WASHER 8.4X17.4X1.6						8	
18		NM6080001SC		NUT M8X1.25						4	
19		G5203164000		CYLINDER HOLDER BASE						1	
20		SM6061202TP		SCREW M6 L=12						4	
21		WS0610002KN		SPRING WASHER 6.1X12.2X1.5						4	
22		WP0641601SC		WASHER						4	
23		G5217164000		CYLINDER MOUNT PLATE						2	
24		SM6061602TP		SCREW M6 L=16						4	
25		WS0610002KN		SPRING WASHER 6.1X12.2X1.5						4	
26		WP0641601SC		WASHER						4	
27		SM8040402TP		SCREW M4X0.7 L=4						2	
28		G5209164000		ADJUSTING PLATE						2	
29		G5211164000		SUPPORT						1	
30		SM6041202TP		SCREW M4X0.7 L=12						4	
31		WS0410002KN		SPRING WASHER						4	
32		WP0430801SC		WASHER 4.3X9X0.8						4	
33		G5212164000		FULCRUM PLATE						1	
34		G5234164000		PIN SUPPORT						1	
35		SM6040802TP		SCREW M4X0.7 L=8						2	
36		WS0410002KN		SPRING WASHER						2	
37		WP0430801SC		WASHER 4.3X9X0.8						2	
38		B8170220000		BED FIXED SCREW						1	
39		WS0820002KN		SPRING WASHER M8						1	
40		WP0841601SC		WASHER 8.4X17.4X1.6						1	
41		NM6080001SC		NUT M8X1.25						1	
42	D	G5213164000		CLOTH STACKER						1	
43	R	13518105	26223701	LIFTING LEVER SHAFT						1	1.00
44		RE0700000K0		E-RING 7						2	
45		G5022164000		CUSHION						1	
46		G5214164000		SPRING						1	

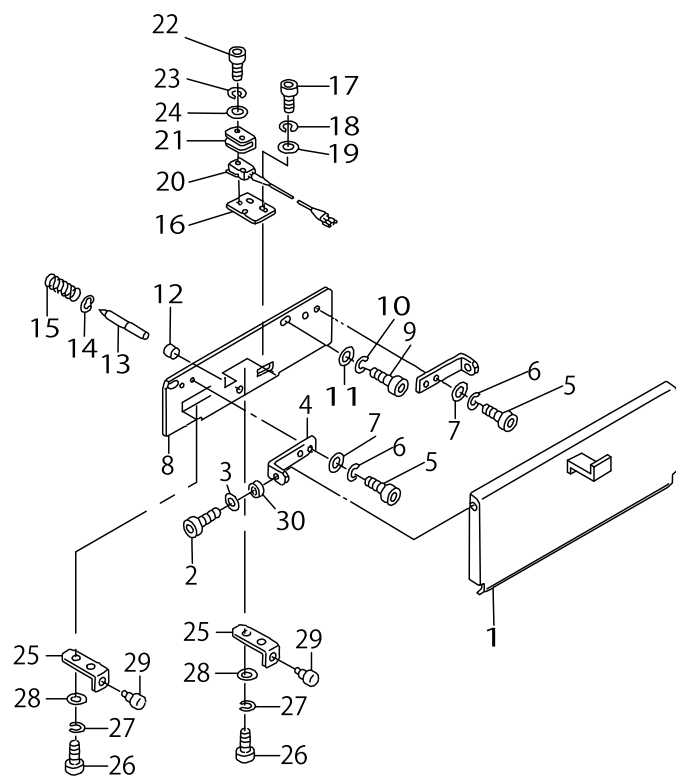
STACKER COMPONENTS



STACKER COMPONENTS

No.	Supply Code	Parts No.	Replacement	Parts name	Remarks	Choice	Step	Level	Cons	Qty	Rep. QTY
47		G5215164000		FIXED PLATE						1	
48		SM6030602TP		SCREW M3X0.5 L=6						2	
49		WS0310002KN		SPRING WASHER M3						2	
50		WP0320501SC		WASHER M3						2	
51		G5235164000		SLIDER						2	
52		SM6030802TP		SCREW M3X0.5 L=8						6	
53		WS0310002KN		SPRING WASHER M3						6	
54		WP0320501SC		WASHER M3						6	
55		CM3002000B1		LABEL(16)	FOR JAPAN					1	
56		CM300200003		ATTENTION LABEL	FOR JE					1	

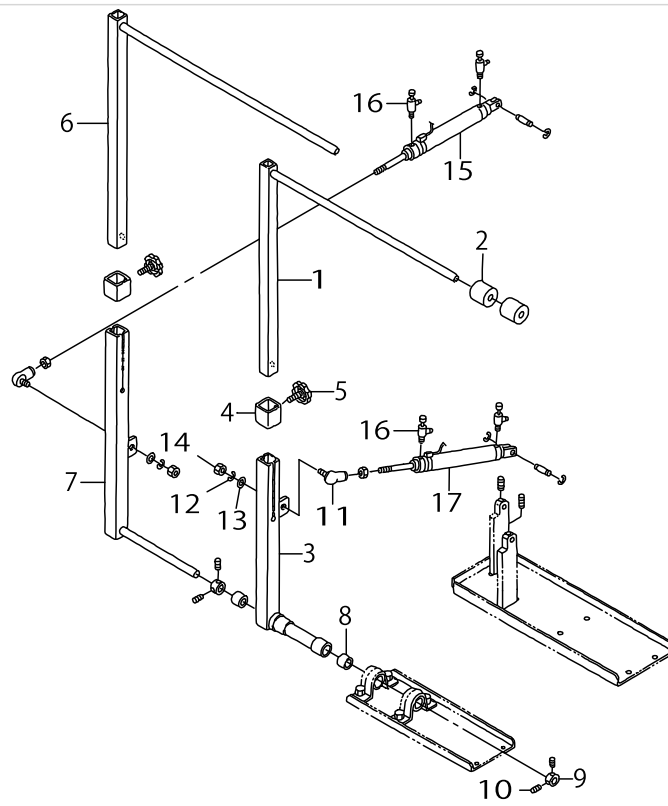
COVER & KNEE SWITCH COMPONENTS



COVER & KNEE SWITCH COMPONENTS

No.	Supply Code	Parts No.	Replacement	Parts name	Remarks	Choice	Step	Level	Cons	Qty	Rep. QTY
1		G5025164000		START SWITCH PLATE						1	
2		SM6061202TP		SCREW M6 L=12						2	
3		WP0641601SC		WASHER						2	
4		G5027164000		START SWITCH SHAFT PLATE						2	
5		SM6040802TP		SCREW M4X0.7 L=8						4	
6		WS0410002KN		SPRING WASHER						4	
7		WP0430801SC		WASHER 4.3X9X0.8						4	
8		G5024164000		INSTALLING PLATE						1	
9		SM6061202TP		SCREW M6 L=12						2	
10		WS0610002KN		SPRING WASHER 6.1X12.2X1.5						2	
11		WP0641601SC		WASHER						2	
12		G5138161000		RUBBER CAP						1	
13	D	G5026164000		START SWITCH ROD						1	
14		RE0400000K0		E-RING 4						1	
15		G5019171000		SPRING						1	
16	D	G5020171000		SWITCH HOLDER						1	
17		SM6040802TP		SCREW M4X0.7 L=8						2	
18		WS0410002KN		SPRING WASHER						2	
19		WP0430801SC		WASHER 4.3X9X0.8						2	
20		G61041640A0		START SW ASM.						1	
21		MA011602N00		MICRO-SWITCH COVER						1	
22		SM6031602TP		SCREW						2	
23		WS0310002KN		SPRING WASHER M3						2	
24		WP0320501SC		WASHER M3						2	
25		G5009162000		STOPPER PLATE						2	
26		SM6040802TP		SCREW M4X0.7 L=8						4	
27		WS0410002KN		SPRING WASHER						4	
28		WP0430801SC		WASHER 4.3X9X0.8						4	
29		G5021171000		RUBBER CUSHION						2	
30		B2544280000		WASHER, FOR WORK CLAMP FOOT HO						2	

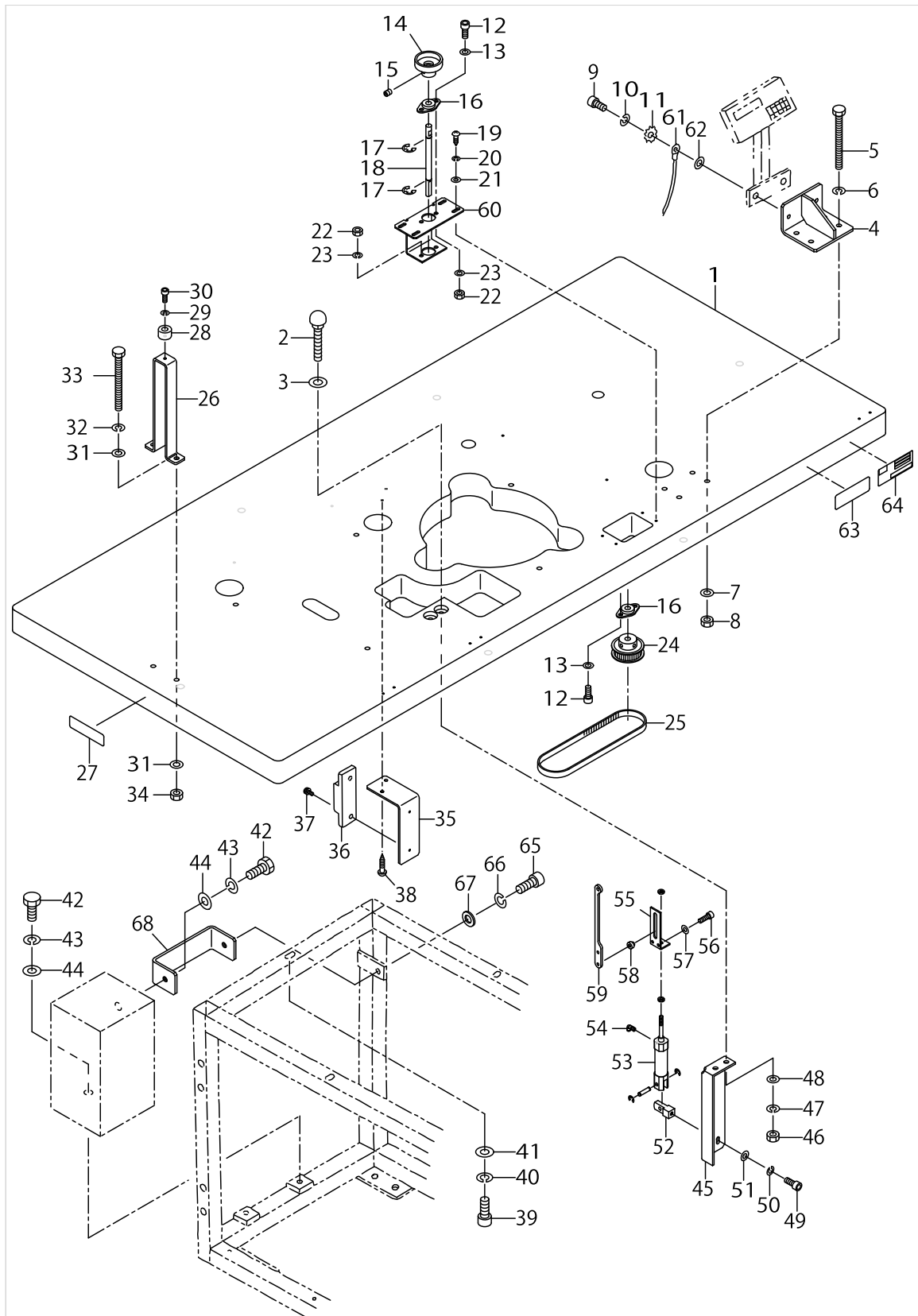
STACKER CYLINDER COMPONENTS



STACKER CYLINDER COMPONENTS

No.	Supply Code	Parts No.	Replacement	Parts name	Remarks	Choice	Step	Level	Cons	Qty	Rep. QTY
1		G5204164000		CLOTH PRESSER						1	
2		G5216164000		STACKER RING						5	
3		G5205164000		CLOTH PRESSER						1	
4		G5208164000		BAR LOCKER						2	
5		G5221164000		KNOB						2	
6		G5206164000		CLOTH PAYMENT						1	
7	D	G5207164000		CLOTH PAYMENT						1	
8		G5218164000		BEARING						2	
9		G2543270000		SHAFT STOP COLLAR A						2	
10		SM8040402TP		SCREW M4X0.7 L=4						4	
11		G5204171000		LINK BOLL						2	
12		WS0820002KN		SPRING WASHER M8						2	
13		WP0841601SC		WASHER 8.4X17.4X1.6						2	
14		NM6080003SC		NUT M8						2	
15		G61081640A0		CLOTH SWEEPING CYLINDER ASM.						1	
16		PC015108000		SPEED CONTROLLER						4	
17		G61091640A0		CLOTH PRESSER CYLINDER ASM.						1	

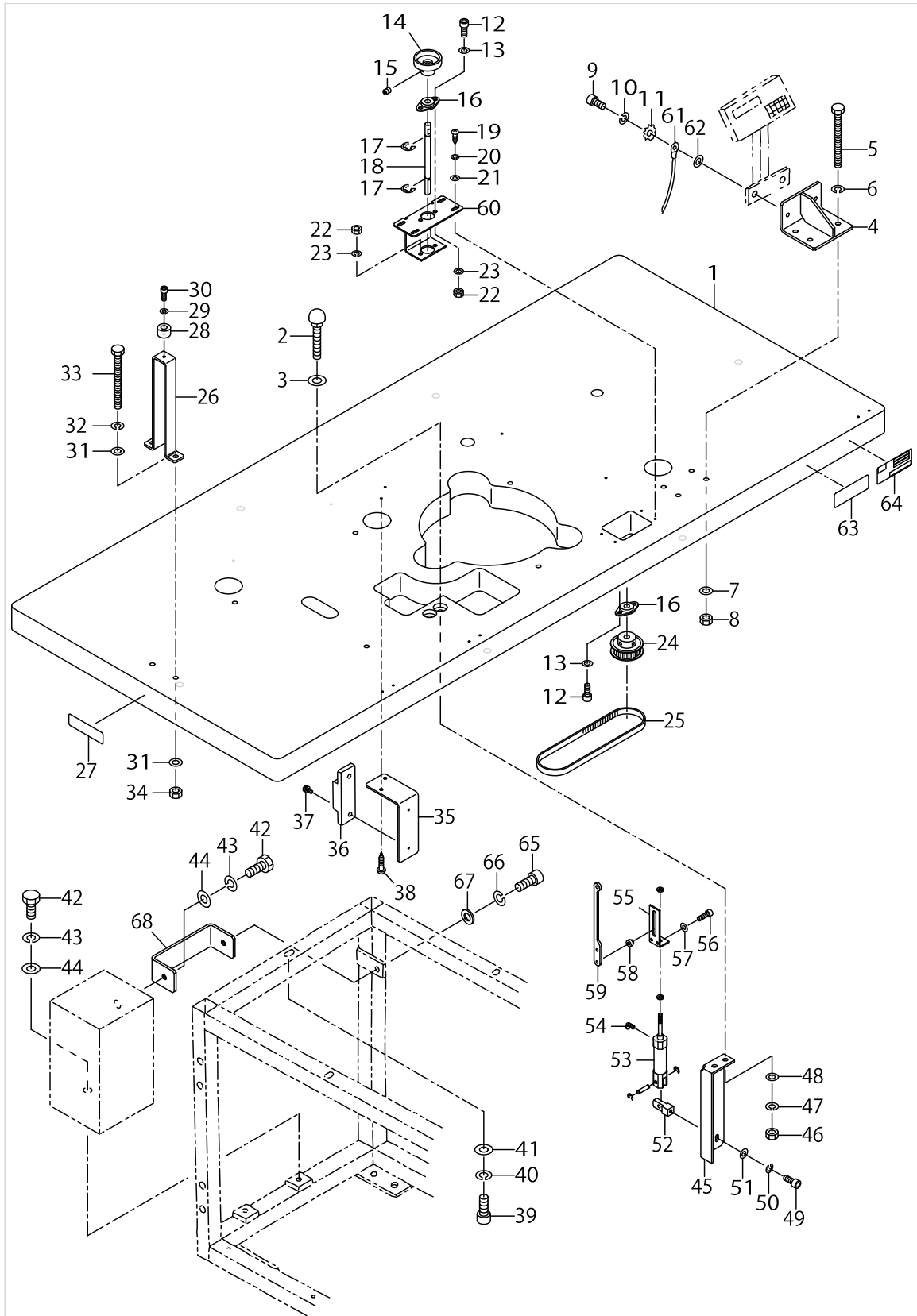
MACHINABLE COMPONENTS



MACHINETABLE COMPONENTS

No.	Supply Code	Parts No.	Replacement	Parts name	Remarks	Choice	Step	Level	Cons	Qty	Rep. QTY
1		G5402164C00		MACHINE TABLE						1	
2		MTJMS000060		BOLT						2	
3		WP0850002SP		WASHER 8.5X18X1.6						2	
4		G5406164000		OPERATION PANEL BRACKET						1	
5		SM9066503SC		SCREW M6 L=65						4	
6		WS0610002KN		SPRING WASHER 6.1X12.2X1.5						4	
7		WP0641601SC		WASHER						4	
8		NM6060001SC		NUT M6						4	
9		SM6061202TN		BOLT						2	
10		WS0610002KN		SPRING WASHER 6.1X12.2X1.5						2	
11		WT0640001KN		TOOTH WASHER						2	
12		SM6051202TP		SCREW M5X0.8 L=12						4	
13		WP0531001SC		WASHER						4	
14		16561904		MOTOR KNOB						1	
15		SM8050602TP		SCREW M5 L=6						1	
16		G5420164000		FLANGE						2	
17		RE0600000K0		E-RING 6						2	
18	D	G5419164000		SHAFT						1	
19	D	SK3381301SC		WOOD SCREW						4	
20		WS0410002KN		SPRING WASHER						4	
21		WP0430801SC		WASHER 4.3X9X0.8						4	
22		NM6050001SC		NUT M5						4	
23		WS0510002KN		SPRING WASHER						4	
24		G5418164000		SULLEY						2	
25		G5421164000		ROTATION BELT						1	
26		G5424164C00		HEADSUPPORTBASE						1	
27		G5042164C00		NAME PLATE						1	
28		G5009172000		STOPPER RUBBER						1	
29		WS0410002KN		SPRING WASHER						1	
30		SM6041002TN		BOLT						1	
31		WP0641601SC		WASHER						4	
32		WS0610002KN		SPRING WASHER 6.1X12.2X1.5						2	
33		SM9066503SC		SCREW M6 L=65						2	
34		NM6060001SC		NUT M6						2	
35		G5432164B00		TERMINAL BRACKET						1	
36		HK044350120		TERMINAL						1	
37		SL4030881SC		SCREW M3X8						2	
38		SK3412001SC		WOOD SCREW D=4.1 L=20						2	
39		SM6082002TN		SCREW M8 L=20						6	
40		WS0820002KN		SPRING WASHER M8						6	
41		WP0841601SC		WASHER 8.4X17.4X1.6						6	
42		SM9082003SC		SCREW M8 L=20						3	
43		WS0820002KN		SPRING WASHER M8						3	
44		WP0841601SC		WASHER 8.4X17.4X1.6						3	
45	D	G5410164000		CYLINDER BRACKET						1	
46		NM6060001SC		NUT M6						2	

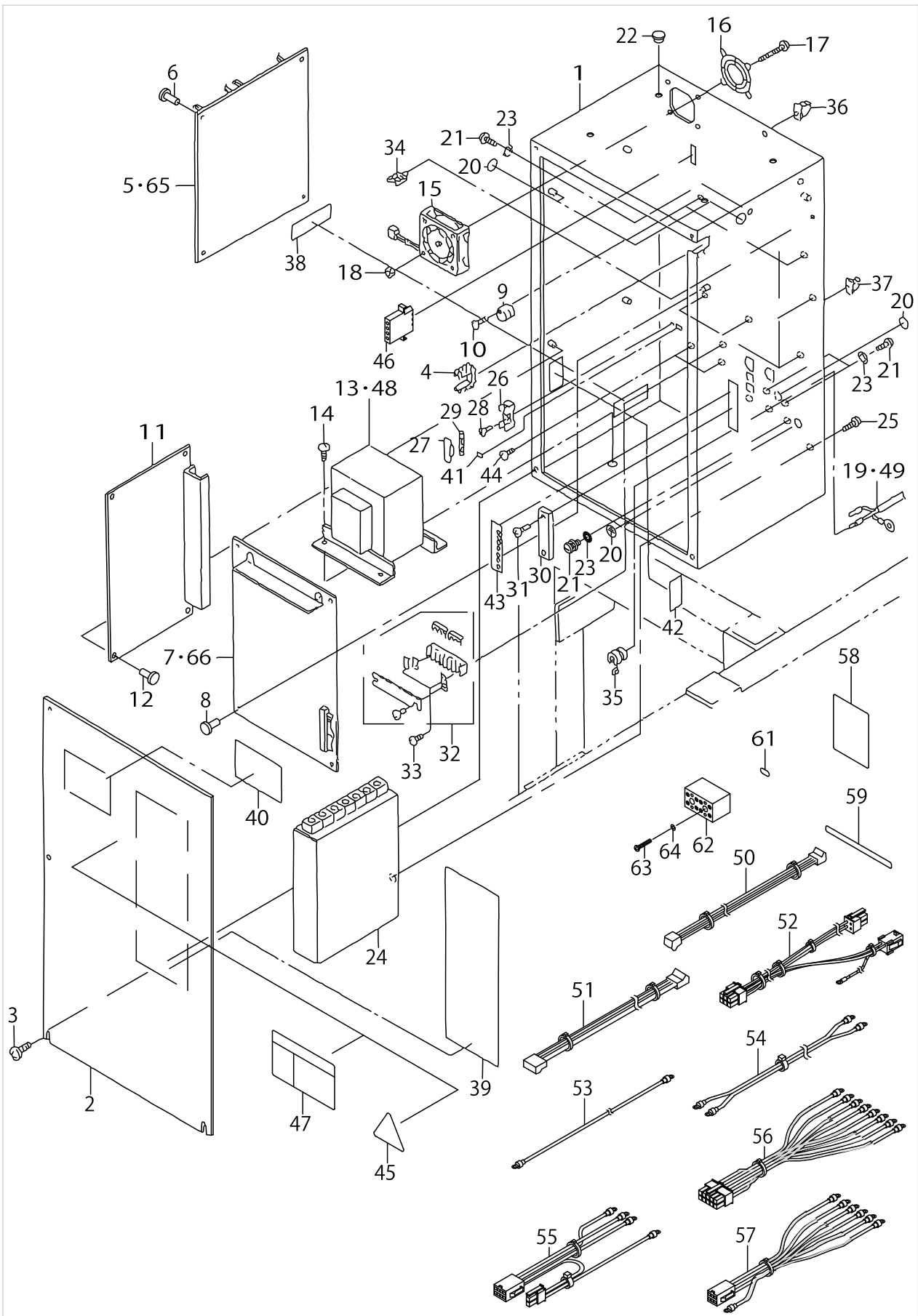
MACHINABLE COMPONENTS



MACHINETABLE COMPONENTS

No.	Supply Code	Parts No.	Replacement	Parts name	Remarks	Choice	Step	Level	Cons	Qty	Rep. QTY
47		WS0610002KN		SPRING WASHER 6.1X12.2X1.5						2	
48		WP0641601SC		WASHER						2	
49		SM6051202TP		SCREW M5X0.8 L=12						1	
50		WS0510002KN		SPRING WASHER						1	
51		WP0531001SC		WASHER						1	
52		PX500018000		KNUCKLE JOINT						1	
53		PA1601510A0		AIR CYLINDER						1	
54		PJ304040504		ELBOW UNION						1	
55		G5412164000		WORKING PLATE						1	
56		SM6041202TP		SCREW M4X0.7 L=12						2	
57		WP0430801SC		WASHER 4.3X9X0.8						2	
58		G5416164000		SLIDE HOLDER						2	
59		G5411164000		LINK						1	
60		G5417164000		BRACKET						1	
61	D	G67041640A0		EARTH CORD ASM.						2	
62		WP0641601SC		WASHER						2	
63		CM500100001		CE MARKING LABEL	FOR JE					1	
64		CM500000001		POWER SOURCE INDICATION LABEL	FOR JE					1	
65		SM6082002TN		SCREW M8 L=20						1	
66		WS0820002KN		SPRING WASHER M8						1	
67		WP0841601SC		WASHER 8.4X17.4X1.6						1	
68		G5423164C00		CONTROL BOX FIXING PLATE						1	

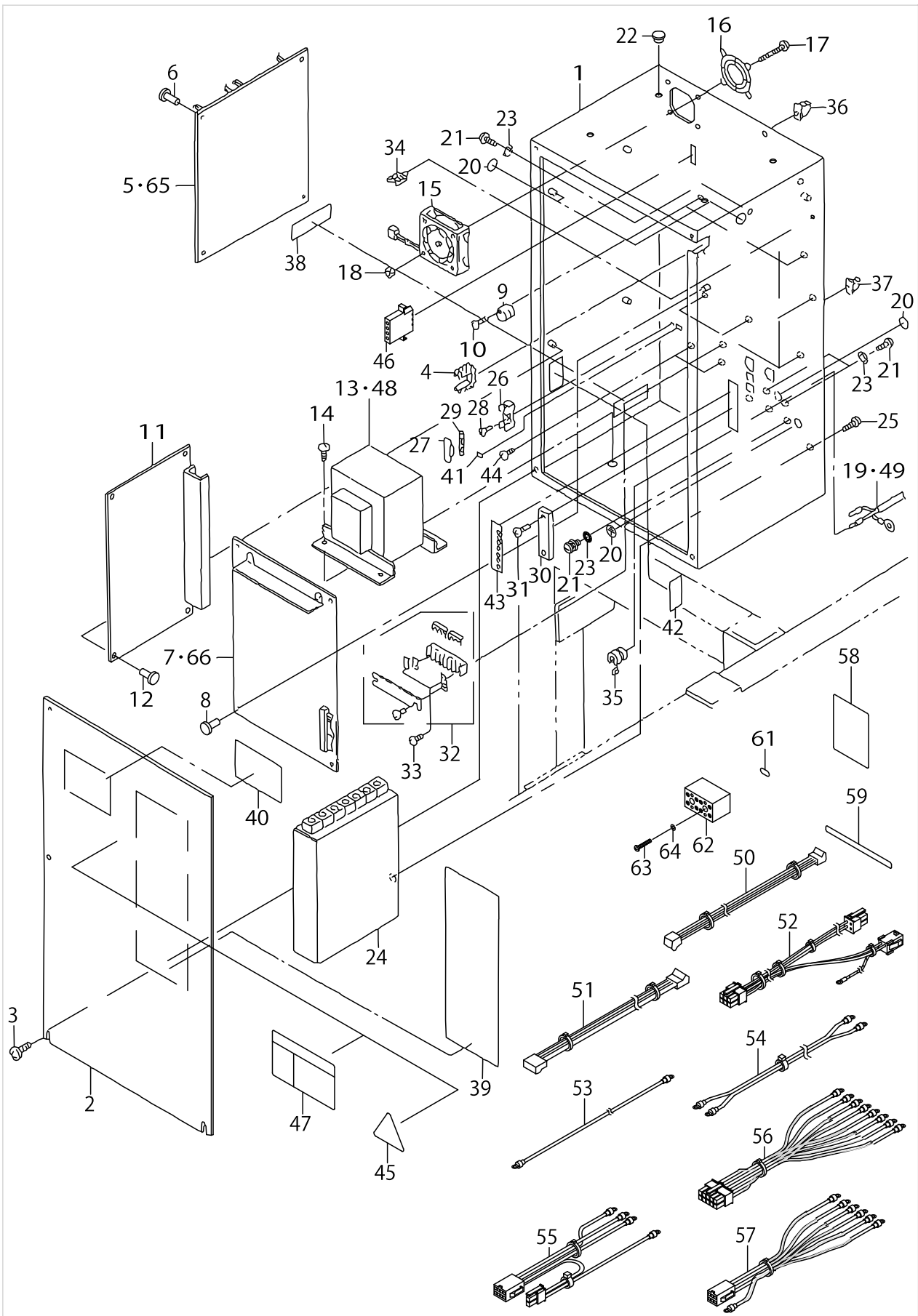
CONTROL BOX COMPONENTS



CONTROL BOX COMPONENTS

No.	Supply Code	Parts No.	Replacement	Parts name	Remarks	Choice	Step	Level	Cons	Qty	Rep. QTY
1		M1001544000A		CONTROL BOX FRAME						1	
2		M10025440A0		FRAME CONTROL BOX COVER ASM.						1	
3		SM0040601SA		SCREW						6	
4		M1004540000		FREE BUSHING, A						1	
5	D	M8601543FA0		CPU CIRCUIT BOARD ASM. F						1	
6		HX00269000B		SPACER						4	
7	D	M8602544EA0		I/O CIRCUIT BOARD ASM. E						1	
8		HX00269000B		SPACER						4	
9		M1004544000A		CIRCUIT BOARD SUPPORT						2	
10		SL4031891SC		SCREW M3 L=18						2	
11	D	M8603544AA0		POWER CIRCUIT BOARD ASM.						1	
12		HX00269000B		SPACER						4	
13	D	M85105440A0		TRANSFORMER ASM.	FOR JAPAN					1	
14		SL4051091SC		SCREW M5X0.8 L=10						4	
15	D	M85115440A0		DC FAN ASM.						1	
16		HM0003800A0		FINGER GUARD						1	
17		SM4043601SN		SCREW M4X0.7 L=36						4	
18		NM3040520SF		FLANGE NUT M4						4	
19	D	M85215400A0		POWER SOURCE CORD ASM.	FOR JAPAN					1	
20	R	10004109	22901805	GROUND MARK						3	1.00
21		SL4041081SF		SCREW M4 L=10						10	
22		TA0800504R0		PLUG D=8 L=4.5						4	
23		WT0430001KN		TOOTHED WASHER						10	
24		HM000570010		DRIVER						1	
25		SL4041081SF		SCREW M4 L=10						2	
26		HF005111000		FUSE HOLDER						1	
27		HF00511000B		FUSEHOLDERCOVER						1	
28		SM4041001SC		SCREW M4X0.7 L=10						1	
29		E9602701000		FUSE 4A						1	
30	D	HK017150070		TERMINAL BASE 7P	FOR JAPAN					1	
31		SL4031681SF		SCREW M3 L=16	FOR JAPAN					2	
32	D	HK044450060		TERMINAL BASE						1	
33		SL4031481SF		SCREW M3 L=14						2	
34	D	HX00222000A		CABLE CLAMP						5	
35		HX004100000		BUSH						1	
36		HX000240000		CORD HOLDER						1	
37		HX00024000C		CORD CLAMP						1	
38		M1010544000		CONTROL BOX PLATE	FOR JAPAN					1	
39		M1020544000		SEAL, A						1	
40		M1022543000		SEAL, B						1	
41		M1022544000		F6 SEAL						1	
42		M1021544000		SEAL						1	
43		M1021540000		SEAL	FOR JAPAN					1	
44		SL4040691SC		SCREW M4 L=6						2	
45		CM300100001		LABEL	FOR JE					1	
46	D	M9620110000		RECEPTACLE						1	

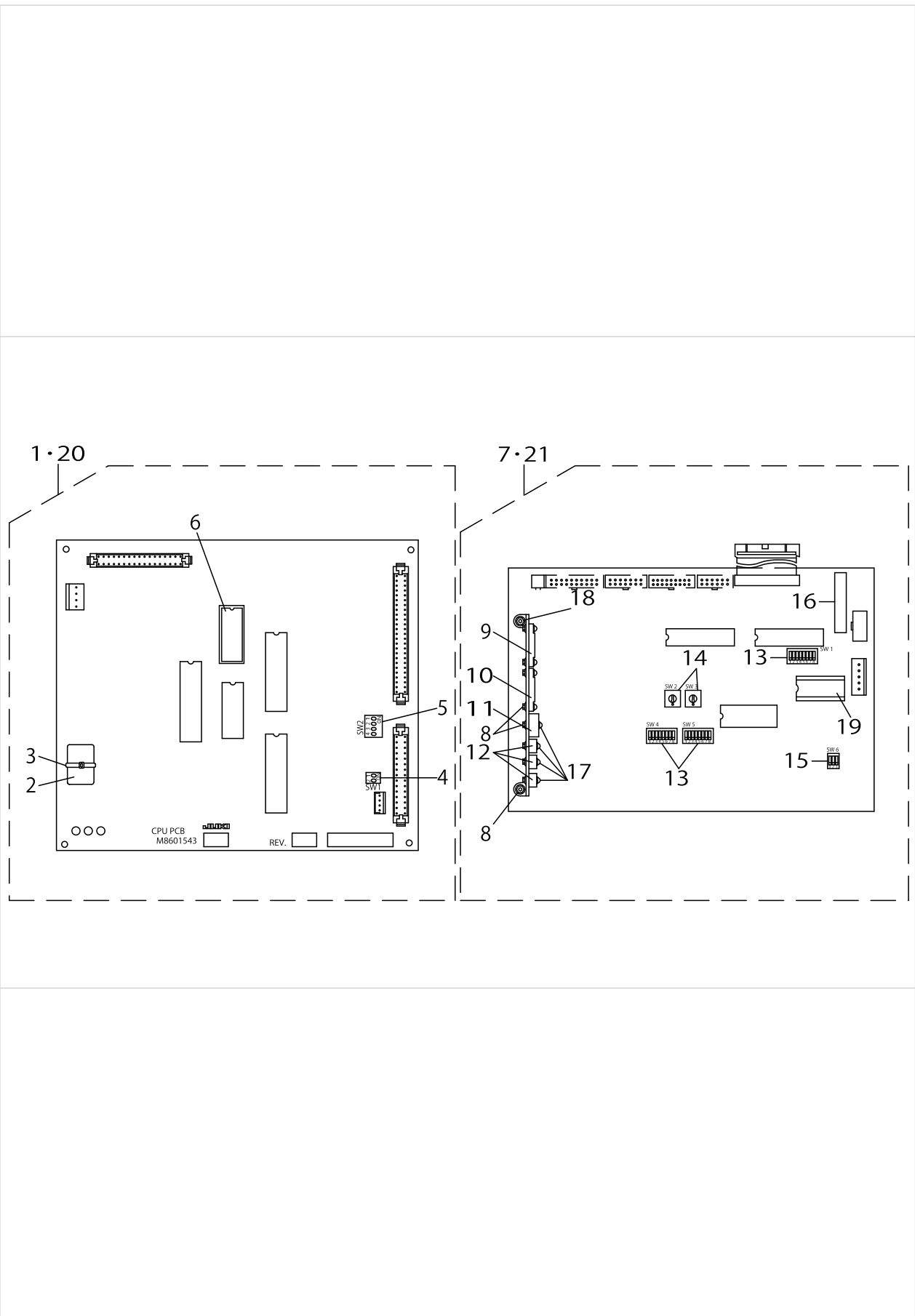
CONTROL BOX COMPONENTS



CONTROL BOX COMPONENTS

No.	Supply Code	Parts No.	Replacement	Parts name	Remarks	Choice	Step	Level	Cons	Qty	Rep. QTY
47		CM300100101		DANGER LABEL (SMALL)	FOR JAPAN					1	
48		M8510544BA0		TRANSFORMER B ASM.	FOR JE					1	
49		M85295440A0		POWER SOURCE CORD B ASM.	FOR JE					1	
50	D	M85205440A0		POWER SOURCE CORD ASM.						1	
51		M85215440A0		POWER SOURCE CORD ASM. (1)						1	
52		M85225440A0		POWER SOURCE CORD (2)						1	
53		M85245440A0		RELAY CORD ASM.						1	
54		M85255440A0		DRIVER POWER SOURCE CORD						1	
55		M85265440A0		POWER SOURCE CORD ASM.						1	
56		M85245400A0		DRIVER CONNCTING CORD ASM.						1	
57	D	M85255400A0		CONNECTING CORD ASM.						1	
58		G8015397000		LABEL C	FOR JE					1	
59		M3007519000		LABEL	FOR JE					1	
60		M1010544B00		CONTROL BOX NAME PLATE	FOR JE					1	
61		CM200100001		PE MARK LABEL						1	
62		HK054250040		TERMINAL BASE	FOR JE					2	
63		SM4031851SR		SCREW	FOR JE					4	
64		WS0310702KS		SPRING WASHER	FOR JE					4	
65	D	M8601543EA0		CPU CIRCUIT BOARD ASM. E	FOR JE					1	
66	D	M8602544DA0		I/O CIRCUIT BOARD ASM. D	FOR JE					1	

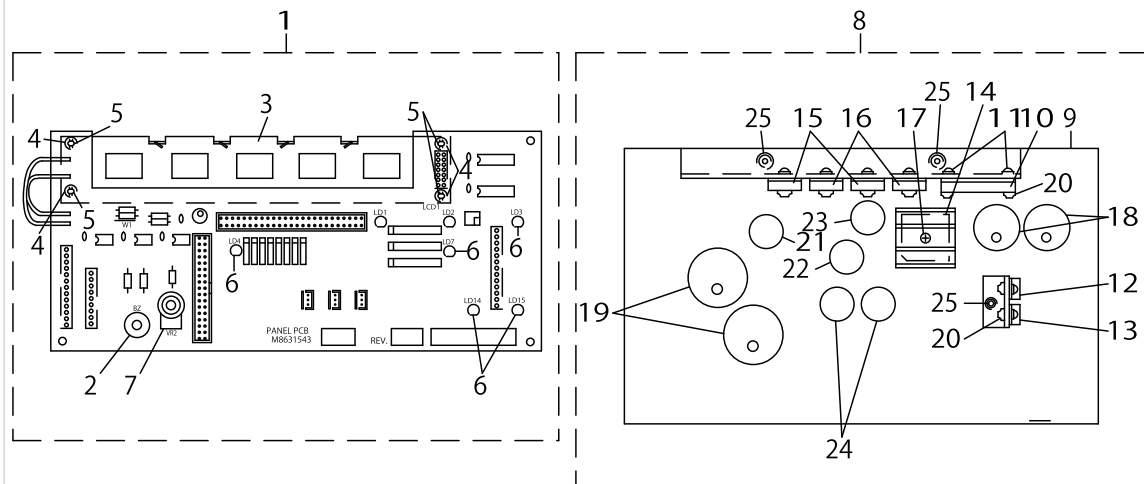
CPU CIRCUIT BOARD & I/O CIRCUIT BOARD COMPONENTS



CPU CIRCUIT BOARD & I/O CIRCUIT BOARD COMPONENTS

No.	Supply Code	Parts No.	Replacement	Parts name	Remarks	Choice	Step	Level	Cons	Qty	Rep. QTY
1	D	M8601543FA0		CPU CIRCUIT BOARD ASM. F						1	
2	D	HX001160000		BATTERY 3.6V				*		1	
3		EA9500B0100		CABLE BAND				*		1	
4	D	HA001080020		DIP SWITCH				*		1	
5		HA001080040		DIP SWITCH 4				*		1	
6	D	HL008420043		IC				*		1	
7	D	M8602544EA0		I/O CIRCUIT BOARD ASM. E						1	
8		NM3034000SF		FLANGE NUT				*		10	
9		HT003920000		TRANSISTOR				*		1	
10		HT003640000		TRANSISTOR ARRAY				*		1	
11		HT002570000		TRANSISTOR				*		1	
12		HT003570000		TRANSISTOR				*		3	
13		HA001080080		DIP SWITCH 8P				*		3	
14	D	HA002330000		ROTARY SWITCH				*		2	
15	D	HA001080030		DIP SWITCH				*		1	
16		HA000500000		ROTARY SWITCH				*		1	
17		SL4031291SC		SCREW M3X12				*		4	
18		SL4031081SF		SCREW M3 L=10				*		6	
19		HL008420044		IC				*		1	
20	D	M8601543EA0		CPU CIRCUIT BOARD ASM. E	FOR JE					1	
21	D	M8602544DA0		I/O CIRCUIT BOARD ASM. D	FOR JE					1	

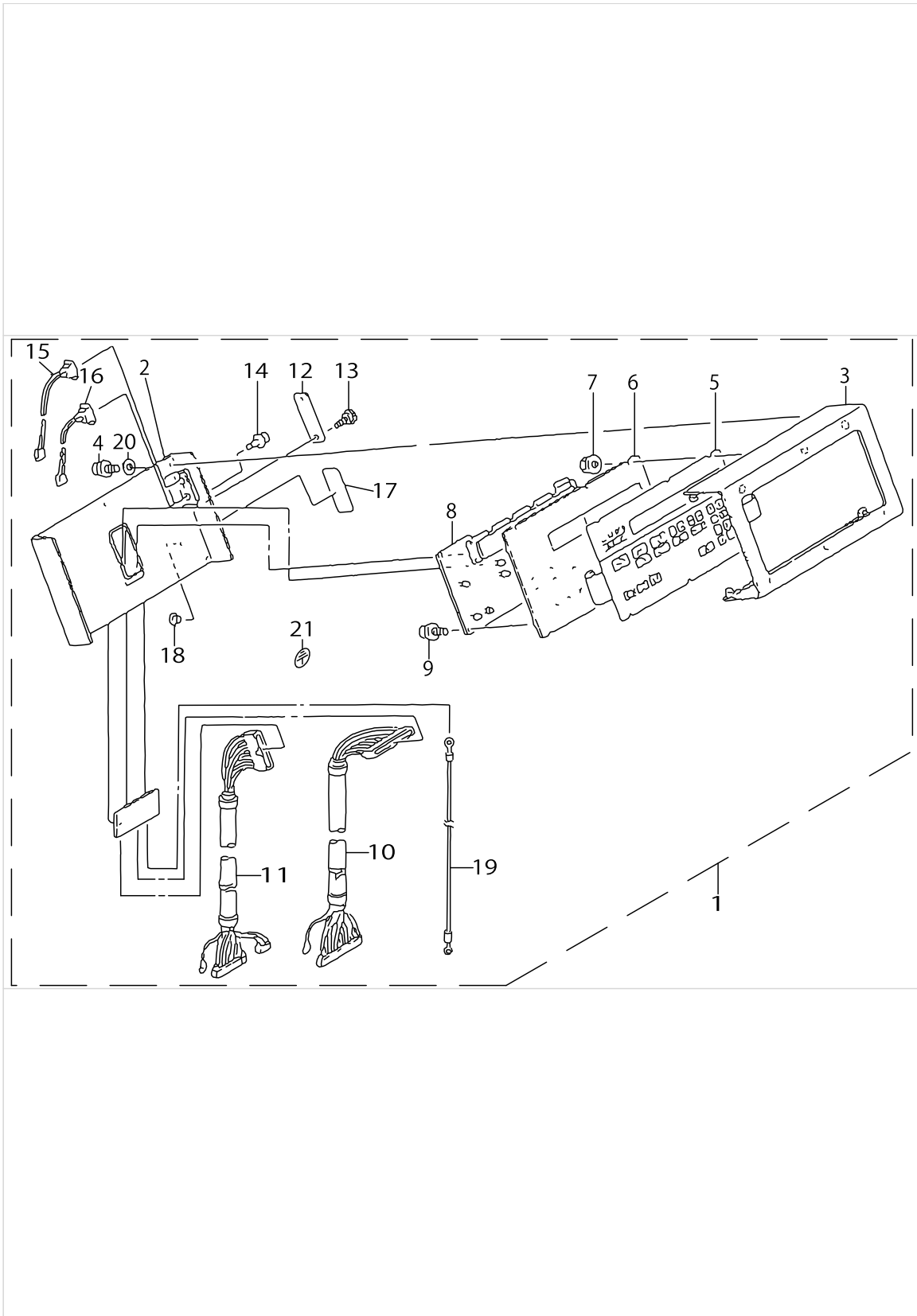
PANEL CIRCUIT BOARD & POWER CIRCUIT BOARD COMPONENTS



PANEL CIRCUIT BOARD & POWER CIRCUIT BOARD COMPONENTS

No.	Supply Code	Parts No.	Replacement	Parts name	Remarks	Choice	Step	Level	Cons	Qty	Rep. QTY
1	R	M8631543AA0	M8631543AA0A	PANEL CIRCUIT BOARD ASM.						1	1.00
2	D	HX002400000		BUZZER				*		1	
3	D	HG004350000		LIQUID CRYSTAL INDICATOR				*		1	
4		G6312166000		LCD SPACER				*		4	
5	D	HX00094000C		NYLON RIVET				*		4	
6		HG004750000		LIGHT EMITTING DIODE				*		7	
7	D	HR030301030		VOLUME (10K)				*		1	
8	D	M8603544AA0		POWER CIRCUIT BOARD ASM.						1	
9	R	M8603544000	M86035440A0	POWER BOARD				*		1	1.00
10	D	HL006940000		IC (STR-9005)				*		1	
11		SL4031481SF		SCREW M3 L=14				*		6	
12		HL011820000		REGULATOR				*		1	
13	D	HL011800000		REGULATOR				*		1	
14	D	HG002650000		DIODE BRIDGE (S10VB20)				*		1	
15		HG003780000		DIODE (FMM-32R)				*		2	
16	D	HG003770000		DIODE (FMM-32S)				*		2	
17		SL4031281SF		SCREW M3 L=12				*		1	
18		HC027501030		CAPACITOR 10000MF 16V				*		2	
19	D	HC011504720		CAPACITOR 4700MF 63V				*		2	
20		NM3034000SF		FLANGE NUT				*		8	
21	D	EA9544B0200		FUSE				*		1	
22		E9602701000		FUSE 4A				*		1	
23		E8523304000		FUSE 10A				*		1	
24		E9611601000		FUSE 1A				*		2	
25		SL4031081SF		SCREW M3 L=10				*		5	

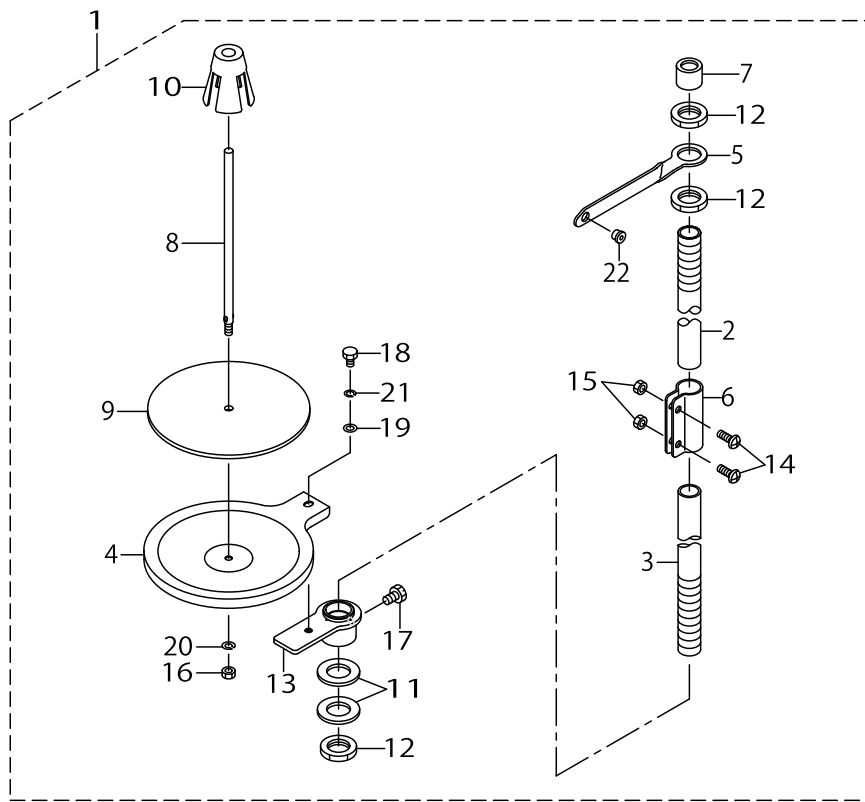
PANEL BOX COMPONENTS



PANEL BOX COMPONENTS

No.	Supply Code	Parts No.	Replacement	Parts name	Remarks	Choice	Step	Level	Cons	Qty	Rep. QTY
1	D	M85305440A0		PANEL BOX ASM.						1	
2		M1030544000		FRAME PANEL BOX				*		1	
3		M1031544000		FRAME PANEL BOX COVER				*		1	
4		SL4030881SF		SCREW M3 L=8				*		5	
5		M8630544000		PANEL MEMBRANE SWITCH				*		1	
6	D	M1032540000		REINFORCEMENT PLATE				*		1	
7		NM3034000SF		FLANGE NUT				*		6	
8	R	M8631543AA0	M8631543AA0A	PANEL CIRCUIT BOARD ASM.				*		1	1.00
9		SL4030881SF		SCREW M3 L=8				*		5	
10	D	M85405440A0		CONNECTING CABLE ASM. 50P				*		1	
11	D	M85415440A0		CONNECTING CABLE ASM. 34P				*		1	
12		M1033543000		COVER				*		1	
13		G6010003000		KNOB SCREW				*		2	
14		SL4020881SC		SCREW M2 X 8				*		4	
15		M85425430A0		FUNCTION SELECT SW ASM. 1				*		1	
16		M85435430A0		FUNCTION SELECT SW ASM. 2				*		1	
17		M1040544000		FUNCTION SELECT SEAL				*		1	
18		TA0800504R0		PLUG D=8 L=4.5				*		1	
19		M85425440A0		EARTH CORD ASM.				*		1	
20		WT0320001KN		WASHER				*		6	
21		E9567319000		EARTH MARK				*		1	

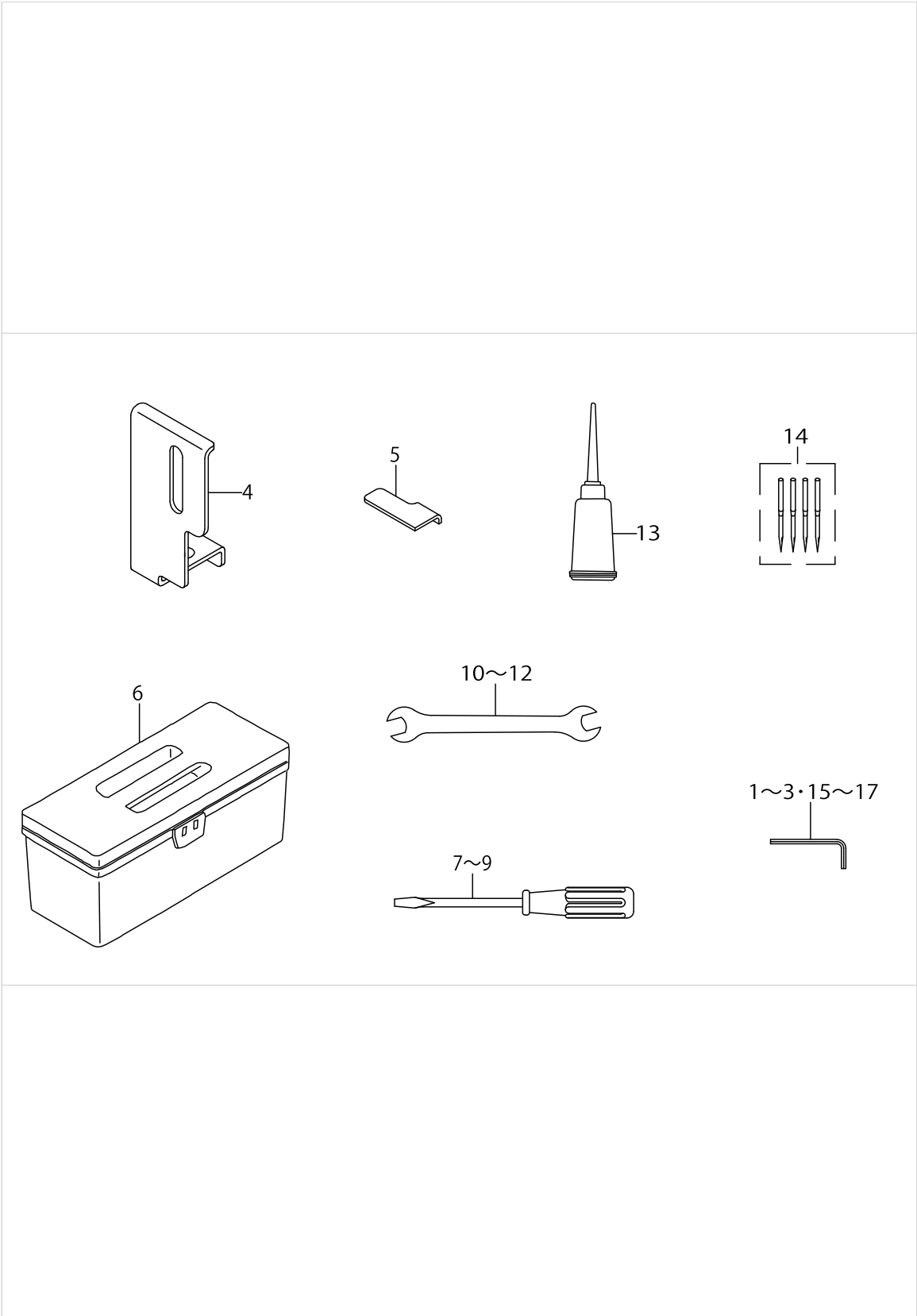
THREAD STAND COMPONENTS



THREAD STAND COMPONENTS

No.	Supply Code	Parts No.	Replacement	Parts name	Remarks	Choice	Step	Level	Cons	Qty	Rep. QTY
1		26008359		THREAD STAND ASM.						1	
2	R	22930408	40096354	SPOOL REST ROD, UPPER				*		1	1.00
3	R	22930309	40096354	SPOOL REST ROD, LOWER				*		1	1.00
4	D	26008300		THREAD STAND HOLDER PLATE				*		1	
5	R	26008409	26008359	THREAD RAISING T-HREAD GUIDE A				*		1	1.00
6	R	22931307	40096354	SPOOL REST ROD JOINT				*		1	1.00
7		22931406		SPOOL REST ROD RUBBER CAP				*		1	
8	R	22931000	40085790	SPOOL PIN				*		1	1.00
9		22930903		SPOOL REST CUSHION				*		1	
10	R	22931109	40085791	SPOOL RETAINER				*		1	1.00
11		WP1702600S0		WASHER 17X30X2.6				*		2	
12		NM6160511SE		NUT M16X1.5				*		3	
13	D	26008557		SPOOL REST BRACKET ASM.				*		1	
14		SM4051405SE		SCREW M5 L=14				*		2	
15		NM6050001SE		NUT M5				*		2	
16		NM6050001SE		NUT M5				*		1	
17		SM9061080SE		SCREW M6 L=10				*		1	
18		SM9050813SE		SCREW M5X0.8 L=8				*		1	
19		WP0520656SA		WASHER 5.2X9.5X0.6				*		1	
20		WS0510002KN		SPRING WASHER				*		1	
21		WS0521010KN		SPRING WASHER 5.2X8.2X1				*		1	
22		22931208		THREAD GUIDE				*		1	

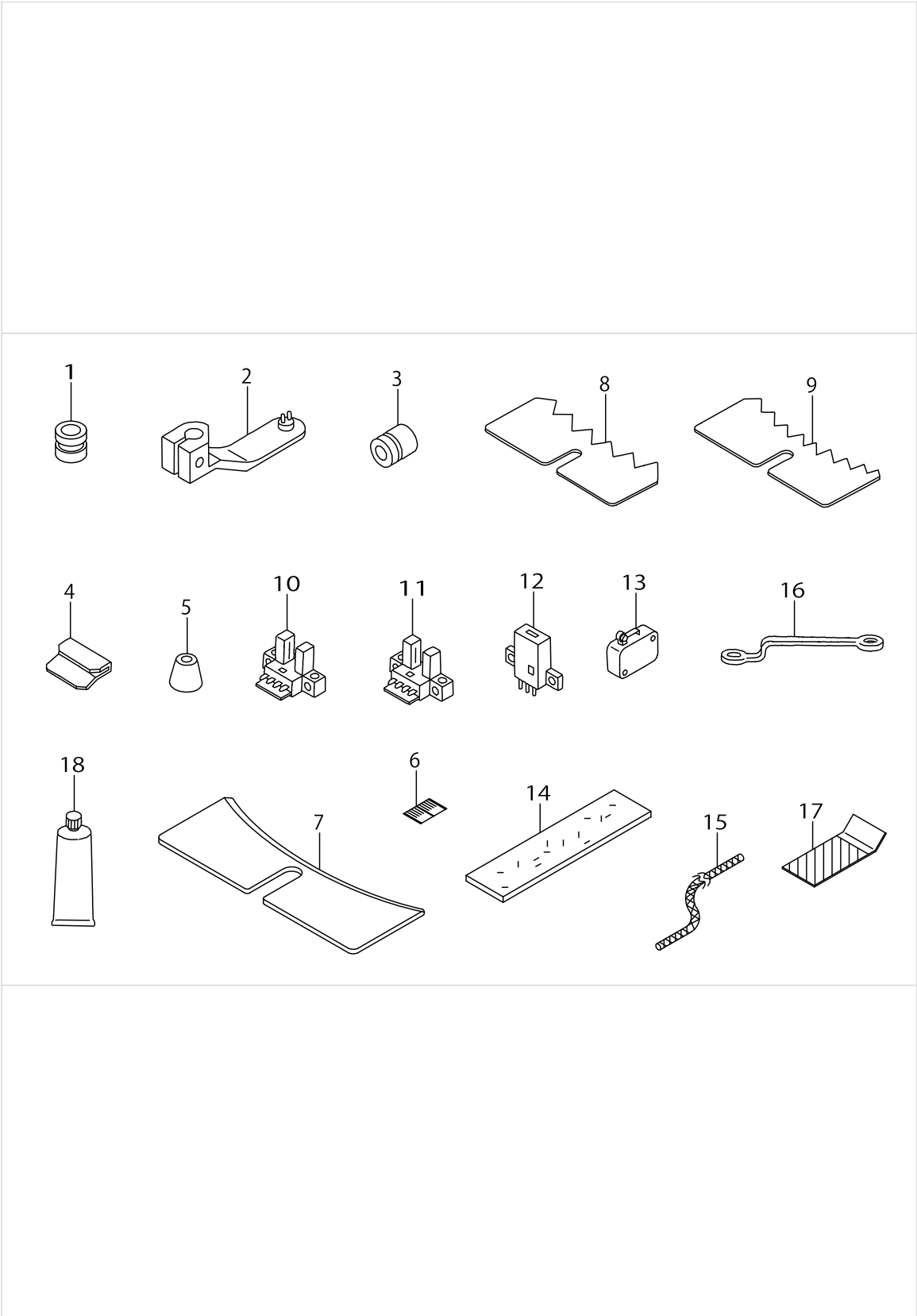
ACCESSORISE COMPONENTS (1)



ACCESSORISE COMPONENTS (1)

No.	Supply Code	Parts No.	Replacement	Parts name	Remarks	Choice	Step	Level	Cons	Qty	Rep. QTY
1		GCT02906000		HEXAGONAL SPANNER						1	
2	D	D9101L9SB00		HEXAGONAL BAR SPANNER						1	
3		GCT02904000		SPANNER						1	
4		B1421372000		NEEDLE BAR GUARD						1	
5		B2414373000		GAUGE						1	
6		B8601WP10A0		TOOL BOX ASM.						1	
7	R	B9109555000	22933006	SCREW DRIVER, LARGE						1	1.00
8	R	B9110012000	22933105	SCREW DRIVER, MIDDLE						1	1.00
9	R	B9111012000	22933204	SCREW DRIVER, SMALL						1	1.00
10		26034702		WRENCH	DEPENDING ON DESTINATION					1	
11		B9113012000		WRENCH (9X10)	DEPENDING ON DESTINATION					1	
12		B9143372000		WRENCH (7.1 X 8.1)	DEPENDING ON DESTINATION					1	
13		B91210120A0		OILER ASM.						1	
14		MTQ700B1602		NEEDLE TQX7 #16-2						1	
15		B9141372000		HEXAGONAL WRENCH, LARGE						1	
16		B9142372000		HEXAGONAL WRENCH (7.1X8.1)	DEPENDING ON DESTINATION					1	
17		GCT02905000		SPANNER						1	

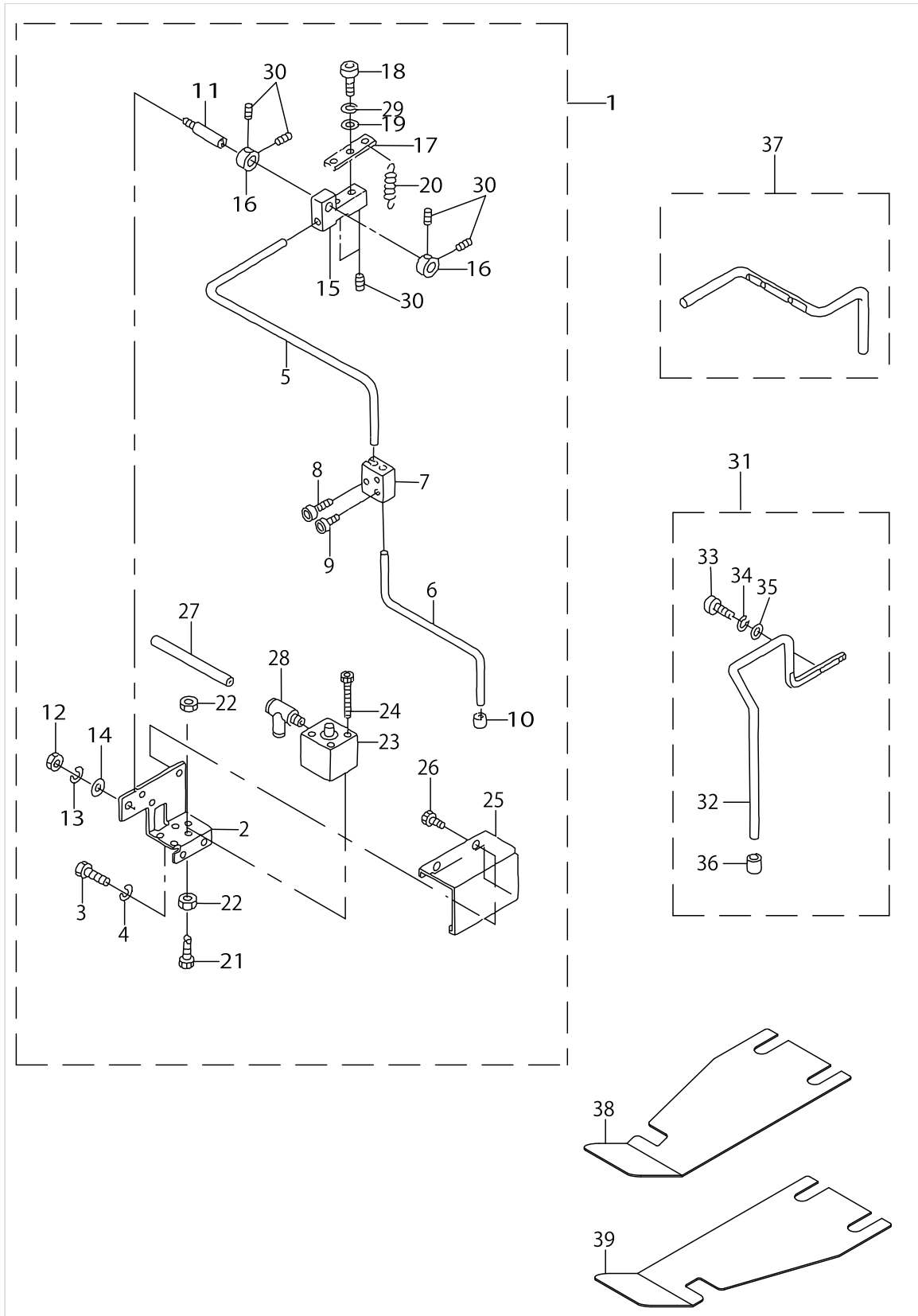
ACCESSORISE COMPONENTS (2)



ACCESSORISE COMPONENTS (2)

No.	Supply Code	Parts No.	Replacement	Parts name	Remarks	Choice	Step	Level	Cons	Qty	Rep. QTY
1		18200501		WORK ATTACHMENT (SMALL)						3	
2		16558009		BUTTON CARRIER B						1	
3		16558108		RING, SMALL						1	
4	D	G5135164000		WOMAN GAUGE						1	
5		G5138161000		RUBBER CAP						1	
6		18204701		SCALE						4	
7		GBR01437000		AUXILIARY PLATE						1	
8		GBR01423000		SELECTOR PLATE, MEDIUM						1	
9		GBR01422000		SELECTOR PLATE, SMALL						1	
10		HD000830000		PHOTO SENSOR						1	
11		HD000670000		SENSOR						1	
12		HD000840000		PHOTO SENSOR						1	
13	D	HA000830000		MICROSWITCH						1	
14		18250407		SANDER (CLOTH)						3	
15		18250506		SANDER (CORD)						2	
16		13533203		WRENCH						1	
17		G5139164000		EXTENSION PLATE						3	
18		13525506		GREASE TUBE						1	

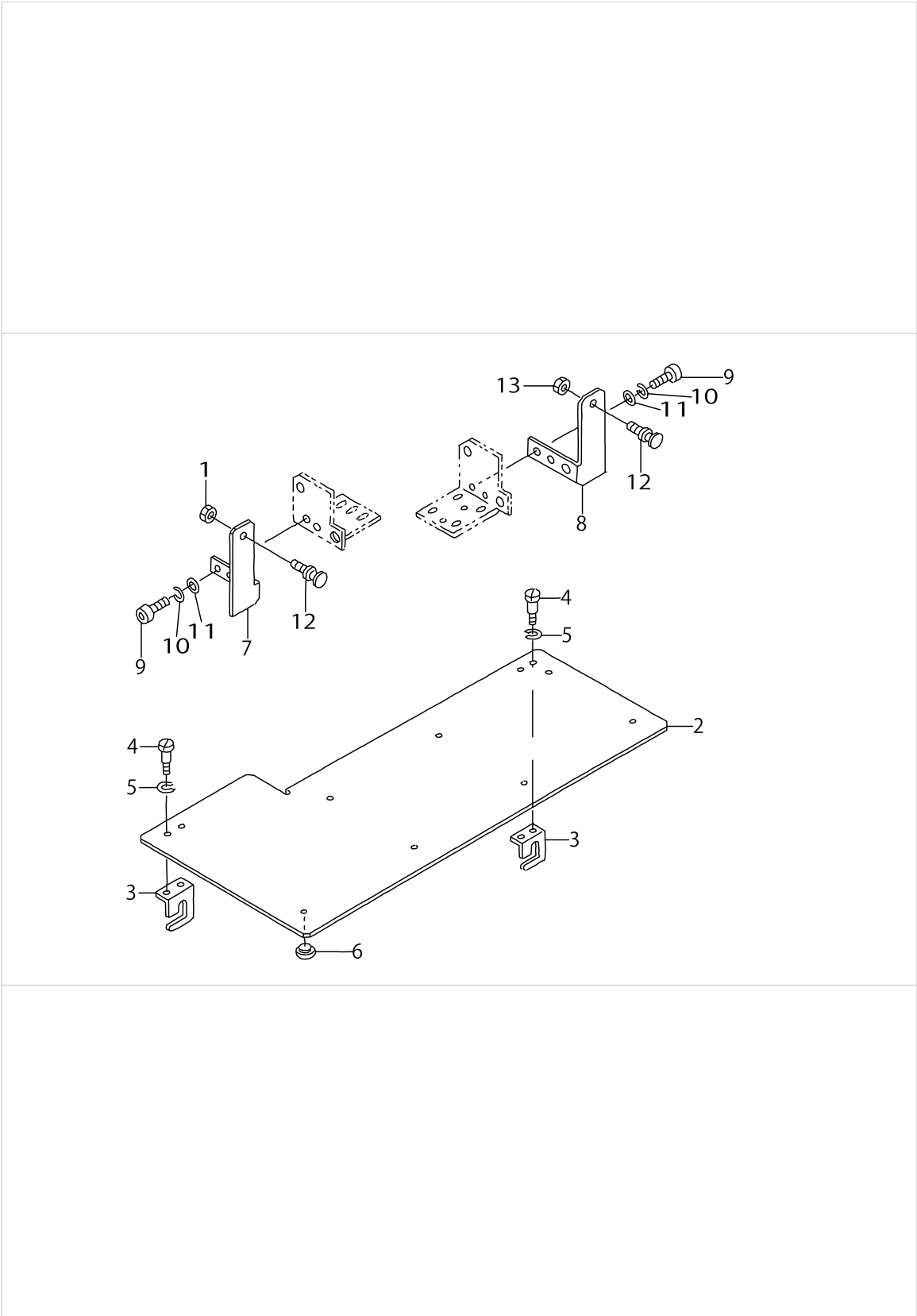
ASSISTANT CLAMP, LIGHT MATERIAL CLAMP & NEEDLE CLAMP & TOP-CENTER PLAIT SLIP STOPPER COMPONENTS (



ASSISTANT CLAMP, LIGHT MATERIAL CLAMP & NEEDLE CLAMP & TOP-CENTER PLAIT SLIP STOPPER COMPONENTS (

No.	Supply Code	Parts No.	Replacement	Parts name	Remarks	Choice	Step	Level	Cons	Qty	Rep. QTY
1	D	G55011640A0		AUXILIARY CLAMP ASM.						1	
2	D	G5501164000		AUXILIARY CLAMP BRACKET				*		1	
3		SM9061003SC		SCREW M6X10				*		2	
4		WS0610002KN		SPRING WASHER 6.1X12.2X1.5				*		2	
5	D	G5502164000		AUXILIARY CLAMP, UPPER				*		1	
6	D	G5503164000		AUXILIARY CLAMP, LOWER				*		1	
7		G5504164000		ADJUSTING METAL				*		1	
8		SM6061202TN		BOLT				*		1	
9		SM6030402TN		BOLT M3X4				*		2	
10		G5138161000		RUBBER CAP				*		1	
11		G5124164000		CLAMP SHAFT				*		1	
12		NM6060001SC		NUT M6				*		1	
13		WS0610002KN		SPRING WASHER 6.1X12.2X1.5				*		1	
14		WP0641601SC		WASHER				*		1	
15		G5125164000		CLAMP HOLDER				*		1	
16	R	G2526270000	E4704172000	COLLAR				*		2	1.00
17		G5505164000		SPRING HOOK				*		1	
18		SM6040602TP		SCREW M4 L=6				*		2	
19		WP0430801SC		WASHER 4.3X9X0.8				*		2	
20		G5126164000		SPRING				*		1	
21	D	G5506164000		SCREW				*		1	
22		NM6060001SC		NUT M6				*		2	
23		PA160100500		AIR CYLINDER				*		1	
24		SM6033052TP		SCREW				*		4	
25		G5507164000		AUXILIARY CLAMP COVER				*		1	
26		SM0040601SA		SCREW				*		2	
27		BT0400251EB		URETHANE HOSE, BLACK				*		1	
28	D	PJ305040503		UNION				*		1	
29		WS0410002KN		SPRING WASHER				*		2	
30		SM8040402TP		SCREW M4X0.7 L=4				*		6	
31		G55081640A0		LIGHT FABRIC CLAMP ASM.						1	
32		G5508164000		LIGHT FABRIC CLAMP				*		1	
33		SM6031002TP		HEXAGONAL BOLT M3 X 10				*		2	
34		WS0310002KN		SPRING WASHER M3				*		2	
35		WP0320501SC		WASHER M3				*		2	
36		G5138161000		RUBBER CAP				*		1	
37		G5509164000		NEEDLE CLAMP						1	
38	D	G5520164000		SLIP STOPPER (FOR MEN'S)						1	
39	D	G5521164000		SLIP STOPPER (FOR LADIE'S)						1	

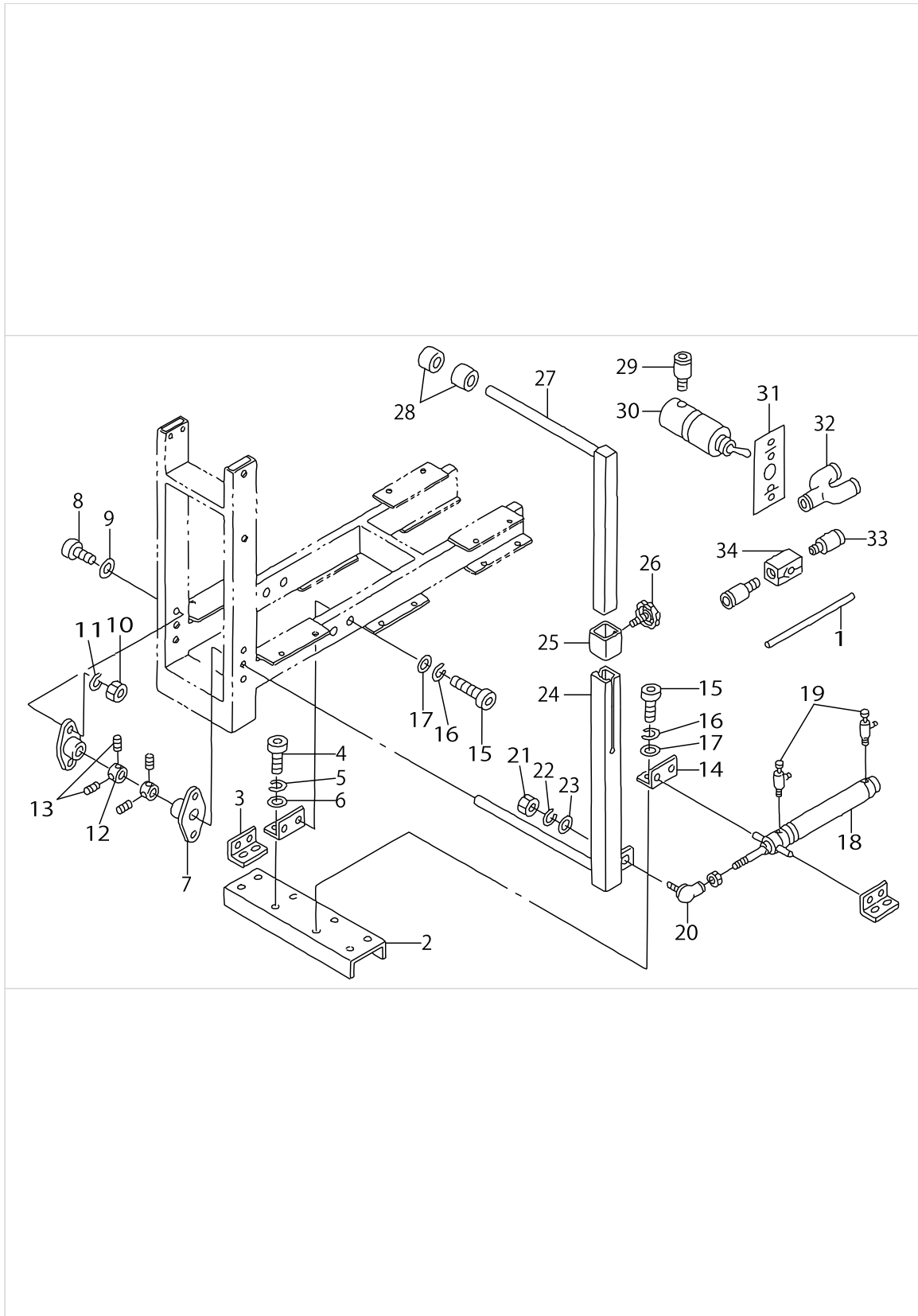
ASSISTANT FEED PLATE COMPONENTS (OPTION)



ASSISTANT FEED PLATE COMPONENTS (OPTION)

No.	Supply Code	Parts No.	Replacement	Parts name	Remarks	Choice	Step	Level	Cons	Qty	Rep. QTY
1		NS6090310SP		NUT 9/64-40						2	
2		G5510164000		AUXILIARY FEED BOARD						1	
3		G5511164000		BRACKET						2	
4		SD0400191TP		HINGE SCREW D=4 H=1.9						4	
5		WS0410002KN		SPRING WASHER						4	
6		G5178162000		SLIDER						8	
7		G5512164000		AUXILIARY FEED SUPPORT (LEFT)						1	
8		G5513164000		AUXILIARY FEED S- UPPORT (RIGHT)						1	
9		SM6061002TP		SCREW M6 L=10						4	
10		WS0610002KN		SPRING WASHER 6.1X12.2X1.5						4	
11		WP0641601SC		WASHER						4	
12		B1523232000		REGULATING SCREW						2	

NO.2 PRESSER COMPONENTS (OPTION)



NO.2 PRESSER COMPONENTS (OPTION)

No.	Supply Code	Parts No.	Replacement	Parts name	Remarks	Choice	Step	Level	Cons	Qty	Rep. QTY
1		BT0400251EB		URETHANE HOSE, BLACK						1	
2	D	G5514164000		CYLINDER SUPPORT BASE						1	
3	D	G5038171000		SIDE PLATE SUPPORT						2	
4		SM6061202TP		SCREW M6 L=12						4	
5		WS0610002KN		SPRING WASHER 6.1X12.2X1.5						4	
6		WP0641601SC		WASHER						4	
7	D	G5518164000		FLANGE UNIT						2	
8		SM6061202TP		SCREW M6 L=12						4	
9		WP0641601SC		WASHER						4	
10		NM6060001SC		NUT M6						4	
11		WS0610002KN		SPRING WASHER 6.1X12.2X1.5						4	
12	D	G5215171000		THRUST COLLAR						2	
13		SM8060812TP		SCREW M6 L=8						4	
14		G5515164000		CYLINDER BRACKET						2	
15		SM6061202TP		SCREW M6 L=12						8	
16		WS0610002KN		SPRING WASHER 6.1X12.2X1.5						8	
17		WP0641601SC		WASHER						8	
18	D	PA2007503A0		AIR CYLINDER						1	
19		PC015108000		SPEED CONTROLLER						2	
20		G5204171000		LINK BOLL						1	
21		NM6080003SC		NUT M8						1	
22		WS0820002KN		SPRING WASHER M8						1	
23		WP0841601SC		WASHER 8.4X17.4X1.6						1	
24	D	G5517164000		PRESSER, LOWER						1	
25		G5208164000		BAR LOCKER						1	
26		G5221164000		KNOB						1	
27		G5516164000		PRESSER, UPPER						1	
28		G5216164000		STACKER RING						5	
29		PJ301040504		JOINTING						3	
30		PV010507000		VALVE						1	
31		G5519164000		STACKER OPEN SWITCH LABEL						1	
32		PJ308040002		QUICK COUPLING						1	
33		PJ301040504		JOINTING						2	
34		PV020501000		CHECK VALVE						1	

HOW TO MAKE USE OF THIS PARTS LIST

1.As to "#01" and "#02" refer to the "Note" given at the bottom of the respective pages.

2.Codes on the "Qty" column

- Each numeral indicates the number of parts required.
- "0.1" and "2.5" indicate the length (in meters) of the respective parts.

3.Parentheses mean that the corresponding part is a subpart that constructs an assembly part.

4.Dotted lines on the Figures indicate assembly parts.

1. リストページの# 0 1、# 0 2の印は、ページ下の"注記"の説明を参照下さい。
2. 数量欄の数字は、個数を表し、0. 1、2. 5等の数値は、長さ（単位メートル）を表します。
3. 数量欄の（ ）は、組部品を構成している子部品であることを意味します。
4. イラストページの-----枠は、組構成であることを意味します。

NUMERICAL INDEX OF PARTS

PART NO	PAGE	REF NO.	PART NO	PAGE	REF NO.	PART NO	PAGE	REF NO.
10004109	78	20	16557506	16	37	16570657	32	51
11110707	22	58	16557605	16	44	16570707	30	33
13518105	66	43	16557902	20	9	16570905	30	37
13525506	92	18	16558009	92	2	16571408	32	49
13533203	92	16	16558108	92	3	16571507	30	43
14602106	14	13	16558801	20	16	16571804	30	45
14611404	6	2	16558900	16	31	16571903	30	15
14613301	2	32	16559007	16	39	16572406	26	24
14613558	6	1	16559601	16	14	16572505	26	41
14613806	2	18	16560005	24	17	16572703	30	65
14613905	2	21	16560104	24	18	16572703	32	65
14614002	2	28	16560203	24	4	16573008	30	14
16111403	44	33	16560401	24	15	16573305	26	44
16111502	44	34	16561607	24	19	16573701	30	2
16550204	20	30	16561904	74	14	16573800	30	10
16550402	20	33	16562001	24	22	16573909	30	46
16550758	20	11	16562100	24	27	16574006	26	18
16550907	20	1	16562308	24	24	16574105	26	3
16551400	20	7	16562407	24	23	16574204	28	52
16551806	20	26	16562803	24	6	16577009	34	1
16551905	20	15	16562902	24	8	16577108	34	18
16552002	20	14	16565400	28	54	16577207	34	16
16552200	20	19	16565509	28	55	16577306	34	20
16552309	20	18	16565707	26	7	16577405	34	22
16552507	16	1	16565905	26	22	16577504	34	11
16552606	16	9	16566002	26	4	16586307	42	28
16553208	16	28	16566408	26	25	16870206	42	25
16553208	26	5	16566507	26	1	18200303	30	29
16553307	16	29	16566606	26	10	18200352	30	27
16553406	18	12-64	16567000	26	14	18200501	20	38
16553505	18	11-65	16567166	26	31	18200501	92	1
16554008	16	26	16567802	26	40	18200907	32	64
16554008	26	38	16567901	26	43	18200956	32	63
16554107	16	16	16568206	28	51	18201103	32	53
16554503	16	38	16568404	30	30	18201608	26	27
16555401	16	46	16568602	32	61	18201905	30	6
16556300	20	32	16568651	32	60	18201962	30	1
16556409	20	31	16568909	30	26	18202002	30	7
16556607	20	27	16569204	30	11	18202150	28	53
16556706	18	58	16569501	30	18	18202408	34	23
16556805	16	32	16569600	30	17	18203307	30	4
16557209	16	4	16570103	30	21	18204107	26	34
16557209	28	68	16570202	30	22	18204503	30	25
16557308	20	37	16570301	30	23	18204602	34	9
16557407	20	4	16570509	32	48	18204701	92	6

NUMERICAL INDEX OF PARTS

PART NO	PAGE	REF NO.	PART NO	PAGE	REF NO.	PART NO	PAGE	REF NO.
18207605	16	23	B2038372000	2	26	BT0400251EC	44	37
18209502	26	35	B2107816000	26	8	BT0400251ED	44	18
18212902	32	50	B2107816000	32	56	BT0400251EE	44	30
18217653	20	5	B2414373000	90	5	BT0400251EH	44	16
18217752	16	41	B2540372000	8	66	BT0600401EB	44	38
18217851	24	11	B2541372000	8	67	CM200100001	80	61
18217950	24	3	B2544280000	70	30	CM300100001	36	22
18218008	26	28	B2544372000	8	68	CM300100001	78	45
18218206	16	3	B2545372000	8	69	CM300100101	36	21
18218305	18	56	B2547372000	6	8	CM300100101	80	47
18218453	16	7	B2548372R00A	6	18	CM300200003	54	43
18218503	20	6	B2549372R00A	6	15	CM300200003	60	35
18218800	20	17	B2553372000	6	38	CM300200003	64	47
18218909	26	6	B2559372000	6	32	CM300200003	68	56
18219006	16	19	B2560372000	6	9	CM3002000B1	60	34
18219204	26	37	B2561372000	6	36	CM3002000B1	68	55
18219501	30	20	B2710771000	62	17	CM3002000B2	54	42
18219600	30	40	B3052816000	32	69	CM3002000B2	62	46
18219709	16	2	B3101377B00	2	34	CM300200202	42	31
18219808	16	11·65	B3101377BA0	2	33	CM500000001	76	64
18222604	42	27	B3102377B00	2	36	CM500100001	76	63
18250407	92	14	B3103377B00	2	37	D2107555B00	10	24
18250506	92	15	B3104377B00	2	38	D2118555B00A	10	3
18251553	34	27	B3105377B00	2	39	D3149141E00	8	54
22930309	88	3	B3106377B00	2	40	D9101L9SB00	90	1~3·15 ~17
22930408	88	2	B3107373S00	2	44	E5006171000	22	56
22930903	88	9	B3120372000	2	2	E8523304000	84	23
22931000	88	8	B3410771000	62	16	E9567319000	86	21
22931109	88	10	B4131357000	54	28	E9602701000	78	29
22931208	88	22	B8170220000	66	38	E9602701000	84	22
22931307	88	6	B8601WP10A0	90	6	E9611601000	84	24
22931406	88	7	B9109555000	90	7~9	EA9500B0100	2	24
25002809	2	42	B9110012000	90	7~9	EA9500B0100	44	9
25002908	2	43	B9111012000	90	7~9	EA9500B0100	54	39
26008300	88	4	B9113012000	90	10~12	EA9500B0100	60	36
26008359	88	1	B91210120A0	90	13	EA9500B0100	82	3
26008409	88	5	B9141372000	90	1~3·15 ~17	EA9544B0200	84	21
26008557	88	13	B9142372000	90	1~3·15 ~17	G2526270000	54	32
26034702	90	10~12	B9143372000	90	10~12	G2526270000	62	19
B1136850000	2	41	BT0400251E0	44	15	G2526270000	94	16
B1141229000	38	46	BT0400251EA	44	17	G2543270000	56	9
B1421372000	90	4	BT0400251EB	44	39	G2543270000	72	9
B1513210000	62	33	BT0400251EB	44	27	G5001164000	38	13
B1523232000	96	12	BT0400251EB	94	27	G5002164000	38	22
B1649161000	22	66	BT0400251EB	98	1			

NUMERICAL INDEX OF PARTS

PART NO	PAGE	REF NO.	PART NO	PAGE	REF NO.	PART NO	PAGE	REF NO.
G5003164000	38	26	G5038171000	38	38	G51311640A0	54	23
G5004164000	38	28	G5038171000	98	3	G5132164000	54	25
G5005164000	38	29	G5039164000	42	9	G5133164000	54	26
G5006164000	56	38	G5040164000	42	16	G5134164000	46	18
G5007164000	56	46	G5041164000	38	14	G5135164000	92	4
G5008164000	58	71	G5042164C00	74	27	G5138161000	54	33
G5009162000	70	25	G5045164000	38	6	G5138161000	70	12
G5009164000	46	20	G5045171000	38	39	G5138161000	92	5
G5009172000	74	28	G5046164000	44	44	G5138161000	94	36
G5010164000	46	19	G5101164000	50	1	G5139164000	92	17
G5011164000	50	11	G5102164000	50	2	G5144162000	54	27
G5012164000	50	10	G5103164000	46	1	G5146171000	56	31
G5013164000	50	12	G5104164000	46	2	G5153171000	50	16
G5014164000	50	26	G5105164000	46	3	G5153171000	58	79
G5015164000	38	10	G5106164000	46	4	G5178162000	96	6
G5016164000	38	1	G5107164000	46	5	G5201164000	66	1
G5017164000	38	11	G5108164000	46	6	G5202164000	66	10
G5018164000	38	2	G5109164000	46	7	G5203164000	66	19
G5019164000	50	40	G5109171000	50	33	G5204164000	72	1
G5019171000	70	15	G5110164000	46	8	G5204171000	72	11
G5020164000	38	12	G5110171000	50	34	G5204171000	98	20
G5020171000	70	16	G51111640A0	46	9	G5205164000	72	3
G5021164000	38	45	G5111171000	50	36	G5206164000	72	6
G5021171000	70	29	G5112164000	46	11	G5207164000	72	7
G5022164000	38	44	G5113164000	46	10	G5208164000	72	4
G5022164000	66	45	G5114164000	46	12	G5208164000	98	25
G5023164000	40	47	G5115164000	46	13	G5209164000	66	28
G5024164000	70	8	G5116164000	54	1	G5210164000	66	5
G5025164000	70	1	G5117164000A	54	2	G5211164000	66	29
G5026162000	42	24	G5118164000	54	6	G5212164000	66	33
G5026164000	70	13	G5119164000	54	7	G5213164000	66	42
G5027164000	70	4	G5120164000	46	14	G5214164000	66	46
G5028164000	38	34	G5121164000	46	15	G5215164000	68	47
G5029164000	44	1	G5122164000	46	16	G5215171000	98	12
G5030164000	58	47	G5123164000	46	17	G5216164000	72	2
G5032164000	38	19	G5124164000	54	11	G5216164000	98	28
G5033164000	42	5	G5124164000	94	11	G5217164000	66	23
G5033172000	38	18	G5125164000	54	15	G5218164000	72	8
G5034164000	42	1	G5125164000	94	15	G5219164000	66	14
G5034171000	38	40	G5126164000	54	16	G5220164000	66	9
G5034171000	42	20	G5126164000	94	20	G5221164000	62	15
G5035164000	42	7	G5127164000	54	17	G5221164000	72	5
G5036164000	42	3	G5128164000	54	18	G5221164000	98	26
G5037164000	42	12	G5129164000	54	20	G5222164000	62	1
G5038164000	42	14	G5130164A00	54	22	G5223164000	62	5

NUMERICAL INDEX OF PARTS

PART NO	PAGE	REF NO.	PART NO	PAGE	REF NO.	PART NO	PAGE	REF NO.
G5225164000	62	18	G5330164000	58	55	G5515164000	98	14
G5226164000	62	21	G5331164000	58	56	G5516164000	98	27
G5227164000	62	25	G5332164000	56	39	G5517164000	98	24
G5228164000	62	29	G5384171000	58	69	G5518164000	98	7
G5229164000	62	30	G5401164A00	42	11	G5519164000	98	31
G5230164000	62	35	G5402164C00	74	1	G5520164000	94	38
G5231164000	62	36	G5403164000	58	58	G5521164000	94	39
G5232164000	62	43	G5406164000	74	4	G5903172000	2	4
G5233164000	62	44	G5410164000	74	45	G6010003000	86	13
G5234164000	66	34	G5411164000	76	59	G61011640A0	50	30
G5235164000	68	51	G5412164000	76	55	G61021640A0	50	13
G52401640A0	60	26	G5413161000	10	31	G61031640A0	50	31
G5242164000	60	27	G5414161000	10	34	G61041640A0	70	20
G5243164000	60	29	G5415161000	10	33	G61051640A0	58	75
G5301164000	56	1	G5416164000	76	58	G61071640A0	44	31
G5302164000	56	5	G5417164000	76	60	G61081640A0	72	15
G5303164000	56	11	G5418164000	24	29	G61091640A0	72	17
G5304164000	56	12	G5418164000	74	24	G61101640A0	52	47
G5305164000	56	16	G5419164000	74	18	G61111640A0	52	48
G5306164000	56	18	G5420164000	74	16	G61121640A0	54	41
G5307164000	56	19	G5421164000	74	25	G62011640A0	62	34
G5308164000	56	20	G5423164C00	76	68	G6312166000	84	4
G5309164000	56	21	G5424164C00	74	26	G64011640A0	44	6
G5310164000	56	22	G5425164C00	2	30	G65021640A0	50	32
G5311164000	56	26	G5426164C00	2	12	G67041640A0	76	61
G5312164000	56	27	G5427164C00	2	15	G6801164000	44	40
G5313162000	12	5	G5432164B00	74	35	G6802164000	44	41
G5313164000	56	32	G5458116000	44	35	G8015397000	80	58
G5314162000	12	6	G5460340000	24	10	GBR01120000	24	1
G5314164000	56	33	G5501164000	94	2	GBR01126000A	24	14
G5315164000	56	29	G55011640A0	94	1	GBR01160000	16	24
G5316164000	56	37	G5502164000	94	5	GBR01168000	24	21
G5317164000	60	1	G5503164000	94	6	GBR01175000	22	51
G5318164000	60	3	G5504164000	94	7	GBR01422000	92	9
G5319164000	60	17	G5505164000	94	17	GBR014220A0	34	26
G5320164000	60	18	G5506164000	94	21	GBR01423000	92	8
G5321164000	60	5	G5507164000	94	25	GBR01426000	34	2
G5322164000	60	20	G5508164000	94	32	GBR01428000	34	14
G5323164000	60	7	G55081640A0	94	31	GBR01429000A	34	19
G5324164000	60	8	G5509164000	94	37	GBR01432000	34	10
G5325164000	60	13	G5510164000	96	2	GBR01437000	92	7
G5326164000	60	12	G5511164000	96	3	GBR01441000	34	4
G5327164000	56	43	G5512164000	96	7	GBR01601000A	6	17
G5328164000	56	44	G5513164000	96	8	GBR01602000	6	7
G5329164000	58	51	G5514164000	98	2	GBR01606000	6	10

NUMERICAL INDEX OF PARTS

PART NO	PAGE	REF NO.	PART NO	PAGE	REF NO.	PART NO	PAGE	REF NO.
GBR01607000	8	63	GCT02906000	90	1~3·15 ~17	HX00055000J	44	19
GBR10782000	36	19	GSS29212000	60	33	HX000560000	18	53
GBR10802000	36	2	HA000500000	82	16	HX00056000C	18	54
GBR108210A0	36	8	HA000830000	92	13	HX00094000C	84	5
GBR108430A0	26	20	HA001080020	82	4	HX000980000	14	14
GBR108440A0	28	74	HA001080030	82	15	HX000980000	36	4
GBR108450A0	32	66	HA001080040	82	5	HX001160000	82	2
GBR10852000	16	42	HA001080080	82	13	HX001500000	58	80
GBR10853000	28	50	HA002330000	82	14	HX00150000A	54	37
GBR10854000	28	56	HC011504720	84	19	HX00150000A	60	38
GBR108550A0	22	53	HC027501030	84	18	HX00150000E	2	22
GBR108560A0	32	47	HD000360000	24	32	HX00150000F	60	37
GBR108590A0	24	31	HD000670000	92	11	HX00150000J	2	25
GBR11101000	18	48	HD000830000	92	10	HX00222000A	78	34
GBR11102000	18	61	HD000840000	92	12	HX002400000	84	2
GBR11103000	18	63	HF00511000B	78	27	HX00269000B	78	12
GBR11104000	18	59	HF005111000	78	26	HX003390000	32	68
GBR11105000B	42	26	HG002650000	84	14	HX00339000E	14	12
GBR11107000	24	25	HG003770000	84	16	HX00354000M	2	19
GBR11108000	20	10	HG003780000	84	15	HX004100000	78	35
GBR11109000	22	63	HG004350000	84	3	HX005350000	14	15
GBR11110000	22	48	HG004750000	84	6	M1001544000A	78	1
GBR11111000	22	54	HK017150070	78	30	M10025440A0	78	2
GBR11112000	22	59	HK03464000A	44	8	M1004540000	78	4
GBR11113000	20	40	HK044350120	74	36	M1004544000A	78	9
GBR11114000	22	55	HK044450060	78	32	M1010544000	78	38
GBR11115000	2	5	HK054250040	80	62	M1010544B00	80	60
GBR11117000	26	39	HL006940000	84	10	M1020544000	78	39
GBR11781000	36	11	HL008420043	82	6	M1021540000	78	43
GBR117830A0	36	14	HL008420044	82	19	M1021544000	78	42
GBR117840A0	36	15	HL011800000	84	13	M1022543000	78	40
GBR117850A0	36	13	HL011820000	84	12	M1022544000	78	41
GBR117860A0	36	12	HM0003800A0	78	16	M1030544000	86	2
GBR11801000	36	6	HM000570000	50	9	M1031544000	86	3
GBR118010A0	36	1	HM000570010	78	24	M1032540000	86	6
GBR118110A0	36	7	HM000770010	62	32	M1033543000	86	12
GBR118220A0	36	20	HR030301030	84	7	M1040544000	86	17
GBR118420A0	18	62	HT002570000	82	11	M2003630000	14	4
GBR118460A0	36	9	HT003570000	82	12	M3001630000	14	5
GBR118470A0	18	60	HT003640000	82	10	M3007519000	80	59
GBR12001000	2	29	HT003920000	82	9	M85026300A0	14	17
GCT02904000	90	1~3·15 ~17	HW5F18S1228	10	6	M85046300A0	14	21
GCT02905000	90	1~3·15 ~17	HX000240000	78	36	M85056300A0	14	18
			HX00024000C	78	37	M85066300A0	14	19
						M85076300A0	14	20

NUMERICAL INDEX OF PARTS

PART NO	PAGE	REF NO.	PART NO	PAGE	REF NO.	PART NO	PAGE	REF NO.
M85105440A0	78	13-48	MAZ02504000	10	16	NM6030001SC	18	55
M8510544BA0	80	13-48	MAZ02505000	10	17	NM6040001SC	16	66
M85115440A0	78	15	MAZ02506000	10	13	NM6040001SC	18	66
M85205440A0	80	50	MAZ025060A0	10	12	NM6040001SC	20	50
M85215400A0	78	19-49	MAZ02507000A	10	14	NM6040001SC	22	50
M85215440A0	80	51	MAZ08801000	10	2	NM6040001SC	24	7
M85225440A0	80	52	MAZ08802000	10	10	NM6040001SC	26	66
M85236000A0	14	16	MAZ08803000	10	11	NM6040001SC	28	66
M85245400A0	80	56	MAZ08823000A	6	31	NM6040001SC	30	24
M85245440A0	80	53	MAZ088230A0A	6	30	NM6043212SA	10	7
M85255400A0	80	57	MAZ088230B0A	6	29	NM6050001SC	16	30
M85255440A0	80	54	MAZ088270A0	6	12	NM6050001SC	20	3
M85265440A0	80	55	MAZ08829000	6	33	NM6050001SC	24	9
M85295440A0	80	19-49	MAZ08912000	6	6	NM6050001SC	74	22
M85305440A0	86	1	MAZ089130A0A	6	22	NM6050001SE	88	16
M85306300A0	14	8	MAZ089130B0A	6	21	NM6060001SC	20	46
M85316300A0	14	9	MAZ08914000A	6	23	NM6060001SC	34	5
M85346300A0	14	22	MAZ08915000A	6	25	NM6060001SC	38	33
M85405440A0	86	10	MAZ08916000	6	26	NM6060001SC	54	19
M85405900A0	14	6	MAZ08917000	6	27	NM6060001SC	74	46
M85415440A0	86	11	MAZ08918000	6	40	NM6060001SC	94	22
M85425430A0	86	15	MAZ08919000	8	49	NM6060001SC	98	10
M85425440A0	86	19	MAZ08920000A	8	59	NM6080001SC	34	21
M85435430A0	86	16	MAZ08921000	8	60	NM6080001SC	56	6
M8601543EA0	80	5-65	MAZ08922000	8	61	NM6080001SC	66	41
M8601543EA0	82	1-20	MAZ08941000	12	1	NM6080003SC	72	14
M8601543FA0	78	5-65	MAZ08942000	12	3	NM6080003SC	98	21
M8601543FA0	82	1-20	MAZ08943000A	12	2	NM6100001SC	62	39
M8601630BA0	14	1	MAZ08944000	12	4	NM6160001SC	38	20
M8602544DA0	80	7-66	MAZ08945000	12	7	NM6160511SE	88	12
M8602544DA0	82	7-21	MAZ089710B0	2	1	NM6860003SC	6	39
M8602544EA0	78	7-66	MAZ08974000	2	3	NM7030510SA	8	48
M8602544EA0	82	7-21	MAZ089820A0	8	65	NS6080210SP	8	64
M8602630AA0	14	2	MAZ089840A0	12	13	NS6090310SP	6	14
M8603544000	84	9	MAZ089850A0	10	32	NS6090310SP	96	1
M8603544AA0	78	11	MAZ089860A0	10	1	NS6110310SP	10	18
M8603544AA0	84	8	MAZ16522000	6	37	NS6110350SP	12	8
M86046300A0	14	3	MAZ16723000	8	50	NS6110360SP	22	67
M8630544000	86	5	MTJMS000060	74	2	NS6660511SP	8	70
M8631543AA0	84	1	MTQ700B1602	90	14	PA0601004A0	6	46
M8631543AA0	86	8	NM3034000SF	82	8	PA160100500	54	34
M9620110000	78	46	NM3034000SF	84	20	PA160100500	94	23
MAO11602N00	70	21	NM3034000SF	86	7	PA1601510A0	76	53
MAT80113T00	10	4	NM3040520SF	78	18	PA2002513A0	62	13
MAT80115T00	10	5	NM6030001SC	2	8	PA2007503A0	98	18

NUMERICAL INDEX OF PARTS

PART NO	PAGE	REF NO.	PART NO	PAGE	REF NO.	PART NO	PAGE	REF NO.
PA800012000	60	22	RE1200000K0	26	19	SL4041081SF	58	81
PC010514000	44	20	SB110000400	30	42	SL4041081SF	60	39
PC015108000	62	14	SB115000200	62	40	SL4041081SF	78	25
PC015108000	72	16	SB115000400	16	15	SL4041091SC	36	16
PC015108000	98	19	SD0400191TP	96	4	SL4051091SC	78	14
PF0552090A0	44	21	SD0450403TP	8	51	SL9081681SE	2	31
PH0300125S0	20	42	SD0460571CP	10	19	SM0030601SA	56	45
PH0300185S0	30	16	SD0500404SP	6	16	SM0040601SA	42	32
PJ015251001	44	32	SD0550211SP	10	20	SM0040601SA	54	38
PJ020500001	44	14	SD0550303SP	6	20	SM0040601SA	56	17
PJ030520001	44	29	SD0600341TP	16	6	SM0040601SA	62	45
PJ046052503	8	47	SD0600401TP	16	12-64	SM0040601SA	78	3
PJ050525201	44	27	SD0600651TP	22	64	SM0040601SA	94	26
PJ210304010	60	25	SD0601021SP	16	13	SM0040601SC	26	2
PJ301040504	44	13	SD0640391TP	6	35	SM0040601SC	30	3
PJ301040504	98	33	SK1271301SD	38	21	SM0040601SC	34	17
PJ301065103	44	5	SK3311301SA	50	41	SM0040601SC	42	29
PJ301065201	44	28	SK3381301SC	24	30	SM0041001SN	34	28
PJ303060001	44	36	SK3381301SC	36	10	SM0060801SA	38	27
PJ304040504	54	36	SK3381301SC	74	19	SM0861201SA	26	75
PJ304040504	76	54	SK3381601SC	38	30	SM0861201SA	28	75
PJ305040503	94	28	SK3381601SC	58	62	SM0861201SA	32	67
PJ308040002	98	32	SK3412001SC	74	38	SM1030601SC	60	21
PJ309005201	44	23	SL4020881SC	86	14	SM1030801SC	60	28
PJ309005203	44	22	SL4030681SC	12	12	SM1031401SC	22	57
PS0160122KH	60	6	SL4030681SC	36	18	SM1033501SC	14	7
PS0250062KH	2	35	SL4030881SC	2	16	SM1040601SC	30	13
PV010507000	98	30	SL4030881SC	30	5	SM1041201SC	30	12
PV020501000	98	34	SL4030881SC	74	37	SM4030401SC	12	14
PV1551080A0	44	7	SL4030881SF	86	9	SM4030601SN	16	25
PX500017000	62	9	SL4031081SC	24	33	SM4030601SN	34	25
PX500018000	76	52	SL4031081SF	82	18	SM4031851SR	80	63
RC0150001KP	62	42	SL4031081SF	84	25	SM4040601SB	10	26
RC2500001KP	24	2	SL4031281SF	84	17	SM4041001SC	78	28
RC3500002KP	62	41	SL4031291SC	82	17	SM4041001SN	34	12
RE0200000K0	16	5	SL4031481SF	78	33	SM4043601SN	78	17
RE0200000K0	28	69	SL4031481SF	84	11	SM4051001SN	34	15
RE0250000K0	10	25	SL4031681SF	78	31	SM4051405SE	88	14
RE0250000K0	26	42	SL4031891SC	78	10	SM4860501SC	30	8
RE0400000K0	60	4	SL4040681SC	14	10	SM5040601SC	36	5
RE0400000K0	70	14	SL4040691SC	36	3	SM6030402TN	94	9
RE0600000K0	74	17	SL4040691SC	78	44	SM6030402TP	8	62
RE0700000K0	66	44	SL4040891SC	2	23	SM6030602TP	22	65
RE0800000K0	20	41	SL4041081SF	44	42	SM6030602TP	38	7
RE0901110K0	10	8	SL4041081SF	52	49	SM6030602TP	60	23

NUMERICAL INDEX OF PARTS

PART NO	PAGE	REF NO.	PART NO	PAGE	REF NO.	PART NO	PAGE	REF NO.
SM6030602TP	66	48	SM6041202TP	28	62	SM6062002TP	48	52
SM6030602TP	68	48	SM6041202TP	30	38	SM6062002TP	50	6
SM6030802TP	2	7	SM6041202TP	56	34	SM6063002TP	18	57
SM6030802TP	6	42	SM6041202TP	66	30	SM6082002TN	38	15
SM6030802TP	30	57	SM6041202TP	76	56	SM6082002TN	62	10
SM6030802TP	32	57	SM6041402TP	20	28	SM6082002TN	66	15
SM6030802TP	50	44	SM6042002TP	16	33	SM6082002TN	74	65
SM6030802TP	68	52	SM6042002TP	22	47	SM6082002TN	76	65
SM6031002TP	58	70	SM6042002TP	56	30	SM6082502TN	50	23
SM6031002TP	94	33	SM6042502TP	22	52	SM8030402TP	26	30
SM6031202TP	20	8	SM6050802TP	18	47	SM8030502TP	60	19
SM6031202TP	60	14	SM6050802TP	60	30	SM8040402TP	24	34
SM6031402TP	16	43	SM6051202TP	20	12	SM8040402TP	32	52
SM6031402TP	20	29	SM6051202TP	30	54	SM8040402TP	54	40
SM6031502TP	50	14	SM6051202TP	32	54	SM8040402TP	56	10
SM6031502TP	58	76	SM6051202TP	46	50	SM8040402TP	62	20
SM6031602TP	70	22	SM6051202TP	48	50	SM8040402TP	66	27
SM6033052TP	44	10	SM6051202TP	74	49	SM8040402TP	72	10
SM6033052TP	50	37	SM6051202TP	76	49	SM8040402TP	94	30
SM6033052TP	54	35	SM6051552TP	16	17	SM8040602TP	16	40
SM6033052TP	94	24	SM6051602TP	20	43	SM8040602TP	20	39
SM6040602TP	58	52	SM6051602TP	30	41	SM8040602TP	24	26
SM6040602TP	60	9	SM6052002TP	30	31	SM8040602TP	62	31
SM6040602TP	94	18	SM6052502TP	16	20	SM8042502TP	26	11
SM6040802TN	36	17	SM6061002TP	46	31	SM8050502TP	16	27
SM6040802TP	28	63	SM6061002TP	58	59	SM8050502TP	20	45
SM6040802TP	38	41	SM6061002TP	96	9	SM8050602TP	16	8
SM6040802TP	42	21	SM6061202TN	74	9	SM8050602TP	20	2
SM6040802TP	46	43	SM6061202TN	94	8	SM8050602TP	24	13
SM6040802TP	50	27	SM6061202TP	38	35	SM8050602TP	74	15
SM6040802TP	56	72	SM6061202TP	44	24	SM8050612TP	24	16
SM6040802TP	58	72	SM6061202TP	46	46	SM8050812TP	24	20
SM6040802TP	66	35	SM6061202TP	50	20	SM8050842TP	24	35
SM6040802TP	70	26	SM6061202TP	54	8	SM8050842TP	30	44
SM6040802TR	20	20	SM6061202TP	56	48	SM8060802TP	50	35
SM6040802TR	26	13	SM6061202TP	58	48	SM8060812TP	98	13
SM6040802TR	30	34	SM6061202TP	62	26	SM9031603SE	2	6
SM6041002TN	74	30	SM6061202TP	66	20	SM9041050SC	54	29
SM6041002TP	18	49	SM6061202TP	70	9	SM9050813SE	88	18
SM6041002TP	20	23	SM6061202TP	98	15	SM9061003SC	94	3
SM6041002TP	26	47	SM6061602TP	28	70	SM9061080SE	88	17
SM6041002TP	28	47	SM6061602TP	46	28	SM9066503SC	74	33
SM6041002TP	32	55	SM6061602TP	66	24	SM9082003SC	74	42
SM6041002TP	46	34	SM6062002TP	24	36	SS1061010SP	12	10
SM6041202TP	26	62	SM6062002TP	46	52	SS2090550TP	12	9

NUMERICAL INDEX OF PARTS

PART NO	PAGE	REF NO.	PART NO	PAGE	REF NO.	PART NO	PAGE	REF NO.
SS4110715SP	2	10	WP0430800SC	30	36	WP0641601SC	76	62
SS4110815SP	2	14	WP0430800SC	34	13	WP0641601SC	94	14
SS4110815SP	34	3	WP0430801SC	22	60	WP0641601SC	96	11
SS4120615SP	10	29	WP0430801SC	38	43	WP0641601SC	98	17
SS4120915SP	4	46	WP0430801SC	42	23	WP0841601SC	34	31
SS5060310SP	10	15	WP0430801SC	46	45	WP0841601SC	38	17
SS6081010TP	6	45	WP0430801SC	50	43	WP0841601SC	50	25
SS6081810SP	8	55	WP0430801SC	54	31	WP0841601SC	56	8
SS6090420SP	12	11	WP0430801SC	56	74	WP0841601SC	62	12
SS6121050SP	2	17	WP0430801SC	58	74	WP0841601SC	66	40
SS6121220TP	10	21	WP0430801SC	60	11	WP0841601SC	72	13
SS6122030SP	4	47	WP0430801SC	66	37	WP0841601SC	74	67
SS7090410SP	6	34	WP0430801SC	70	28	WP0841601SC	76	67
SS7090520TP	10	35	WP0430801SC	74	57	WP0841601SC	98	23
SS7091110TP	10	30	WP0430801SC	76	57	WP0850002SP	74	3
SS7091480SP	6	13	WP0430801SC	94	19	WP1052001SC	62	38
SS7110340SP	10	27	WP0450801SD	2	11	WP1702600S0	88	11
SS7110410SP	2	45	WP0450801SD	34	29	WS0310002KN	2	9
SS7150940SP	6	3	WP0450801SD	44	43	WS0310002KN	12	15
SS9091010SP	6	11	WP0451026SH	8	52	WS0310002KN	16	45
SS9150910SP	14	11	WP0480856SP	10	28	WS0310002KN	22	49
SS9621413SP	6	4	WP0501016SD	2	27	WS0310002KN	32	58
TA0800504R0	78	22	WP0501016SD	6	5	WS0310002KN	38	8
TA0800504R0	86	18	WP0520656SA	88	19	WS0310002KN	44	11
WP0280500SC	30	9	WP0531000SC	34	30	WS0310002KN	50	45
WP0320500SC	18	52	WP0531001SC	60	32	WS0310002KN	58	77
WP0320500SC	32	59	WP0531001SC	74	51	WS0310002KN	60	15
WP0320500SC	34	24	WP0531001SC	76	51	WS0310002KN	66	53
WP0320501SC	6	58	WP0531001SF	20	44	WS0310002KN	68	53
WP0320501SC	8	58	WP0621016SH	48	51	WS0310002KN	70	23
WP0320501SC	38	9	WP0641600SC	24	12	WS0310002KN	94	34
WP0320501SC	44	12	WP0641600SC	28	72	WS0310002KR	6	44
WP0320501SC	50	46	WP0641600SC	34	6	WS0310702KS	80	64
WP0320501SC	52	46	WP0641601SC	38	37	WS0410002KN	8	57
WP0320501SC	58	78	WP0641601SC	44	26	WS0410002KN	16	50
WP0320501SC	60	24	WP0641601SC	46	48	WS0410002KN	18	50
WP0320501SC	66	54	WP0641601SC	48	48	WS0410002KN	20	61
WP0320501SC	68	54	WP0641601SC	50	22	WS0410002KN	22	61
WP0320501SC	70	24	WP0641601SC	54	14	WS0410002KN	26	67
WP0320501SC	94	35	WP0641601SC	56	61	WS0410002KN	28	67
WP0430800SC	16	51	WP0641601SC	58	61	WS0410002KN	30	35
WP0430800SC	18	51	WP0641601SC	62	28	WS0410002KN	38	42
WP0430800SC	20	36	WP0641601SC	66	26	WS0410002KN	42	22
WP0430800SC	26	73	WP0641601SC	70	11	WS0410002KN	46	44
WP0430800SC	28	73	WP0641601SC	74	62	WS0410002KN	50	42

NUMERICAL INDEX OF PARTS

PART NO	PAGE	REF NO.	PART NO	PAGE	REF NO.
WS0410002KN	54	30	WS0820002KN	76	66
WS0410002KN	56	73	WS0820002KN	98	22
WS0410002KN	58	73	WS1020002KN	62	37
WS0410002KN	60	10	WT0320001KN	86	20
WS0410002KN	66	36	WT0430001KN	52	50
WS0410002KN	70	27	WT0430001KN	78	23
WS0410002KN	74	29	WT0640001KN	74	11
WS0410002KN	94	29			
WS0410002KN	96	5			
WS0410002KS	10	9			
WS0510002KN	16	21			
WS0510002KN	60	31			
WS0510002KN	74	50			
WS0510002KN	76	50			
WS0510002KN	88	20			
WS0510002KS	20	13			
WS0521010KN	10	22			
WS0521010KN	88	21			
WS0610002KN	16	10			
WS0610002KN	24	5			
WS0610002KN	28	71			
WS0610002KN	34	7			
WS0610002KN	38	36			
WS0610002KN	44	25			
WS0610002KN	46	47			
WS0610002KN	48	47			
WS0610002KN	50	21			
WS0610002KN	54	13			
WS0610002KN	56	60			
WS0610002KN	58	60			
WS0610002KN	62	27			
WS0610002KN	66	25			
WS0610002KN	70	10			
WS0610002KN	74	47			
WS0610002KN	76	47			
WS0610002KN	94	13			
WS0610002KN	96	10			
WS0610002KN	98	16			
WS0820002KN	38	16			
WS0820002KN	50	24			
WS0820002KN	56	7			
WS0820002KN	62	11			
WS0820002KN	66	39			
WS0820002KN	72	12			
WS0820002KN	74	66			