

MODEL : MB-373NS/MB-377NS

List No : 1327-02

# PARTS LIST

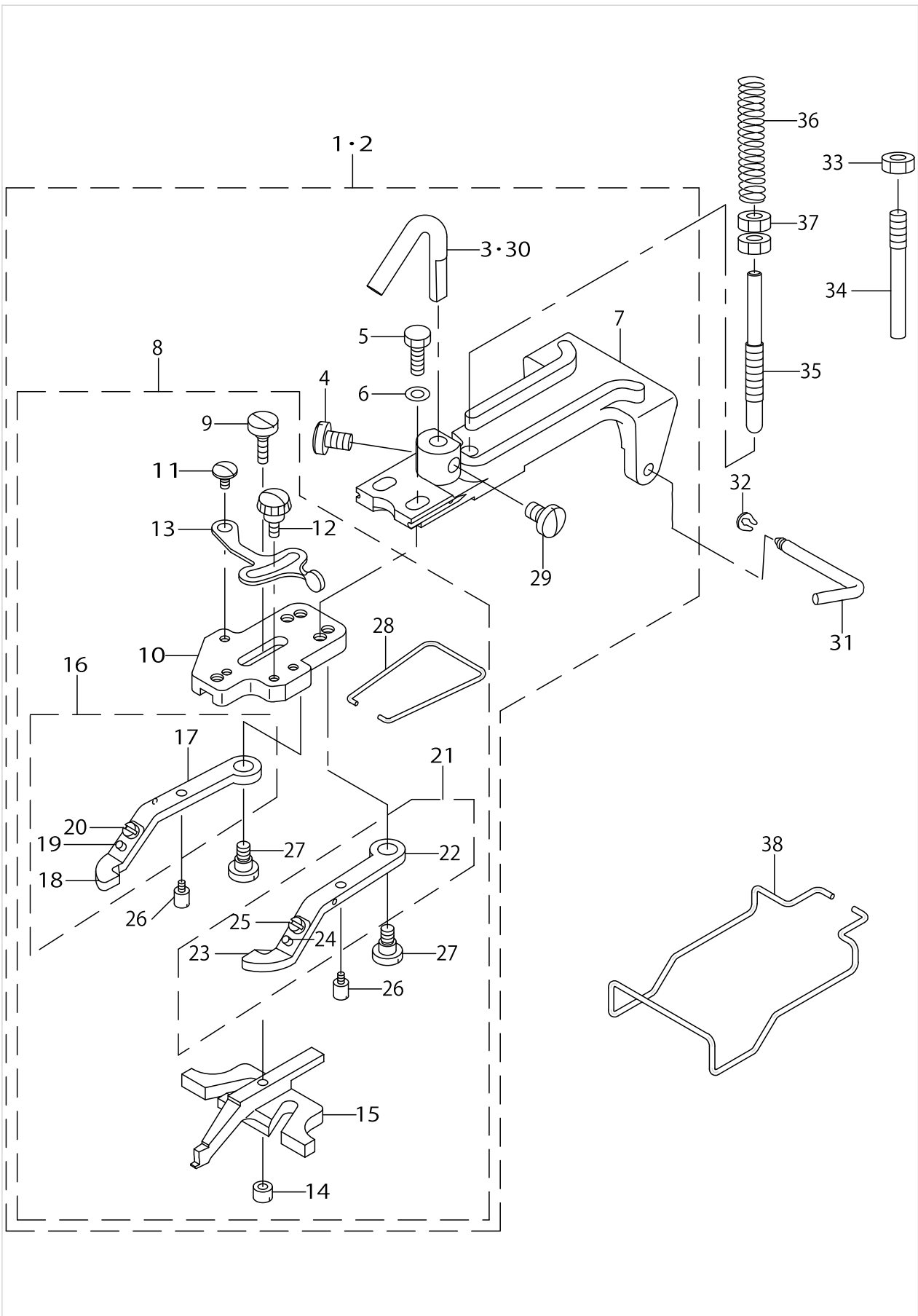
Published:05/12/2017

## CONTENTS

---

|  |    |
|--|----|
| BUTTON CLAMP MECHANISM COMPONENTS .....          | 1  |
| ARM & MISCELLANEOUS COVERS COMPONENTS.....       | 3  |
| LOOPER SHAFT MECHANISM COMPONENTS .....          | 7  |
| NIPPER & THREAD TENSION PARTS COMPONENTS .....   | 11 |
| FEED PLATE COMPONENTS .....                      | 15 |
| BUTTON CLAMP LIFTER COMPONENTS.....              | 17 |
| NEEDLE DRIVING PULLEY SHAFT COMPONENTS .....     | 21 |
| NEEDLE BAR DRIVING MECHANISM COMPONENTS.....     | 23 |
| STOP MOTION MECAHNISM COMPONENTS .....           | 25 |
| STITCH SELECTING PARTS COMPONENTS .....          | 27 |
| THREAD BIND NOTCH COMPONENTS (FOR MB-377NS)..... | 29 |
| THREAD STAND COMPONENTS.....                     | 31 |
| TABLE & STAND COMPONENTS.....                    | 33 |
| ACCESSORIE PARTS COMPONENTS .....                | 35 |
| SPECIAL ORDER SPEC COMPONENTS.....               | 37 |
| SUBCLASS COMPONENTS .....                        | 39 |
| LIST FOR INFORMATION OF CHANGE (1).....          | 41 |
| LIST FOR INFORMATION OF CHANGE (2).....          | 42 |
| LIST FOR INFORMATION OF CHANGE (3).....          | 43 |
| HOW TO MAKE USE OF THIS PARTS LIST .....         | 44 |

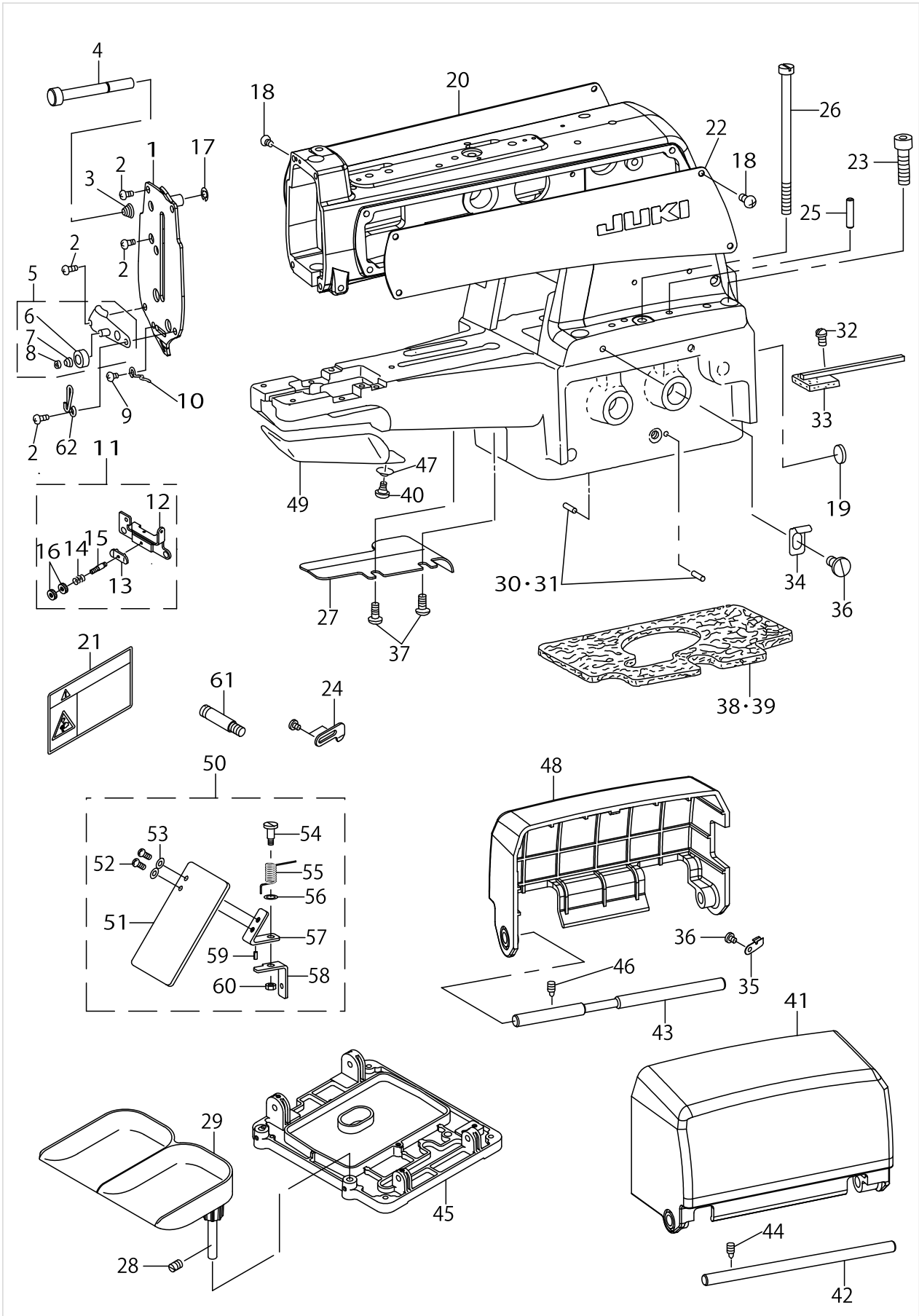
BUTTON CLAMP MECHANISM COMPONENTS



BUTTON CLAMP MECHANISM COMPONENTS

| No. | Supply Code | Parts No.   | Replacement | Parts name                      | Remarks      | Choice | Step | Level | Cons | Qty | Rep. QTY |
|-----|-------------|-------------|-------------|---------------------------------|--------------|--------|------|-------|------|-----|----------|
| 1   |             | 26025452    |             | FLAT BUTTON CLAMP ASM.          | FOR MB-373NS |        |      |       |      | 1   |          |
| 2   |             | 26026856    |             | PICK-UP DEVICE ASM.             | FOR MB-377NS |        |      |       |      | 1   |          |
| 3   | R           | 26025601    | B2546372000 | BUTTON CLAMP LIFTING ROD        | FOR MB-373NS |        |      | *     |      | 1   | 1.00     |
| 4   |             | SS7150940SP |             | SCREW 15/64-28 L=9              |              |        |      | *     |      | 1   |          |
| 5   |             | SS9621413SP |             | SCREW 3/16-32 L=13.5            |              |        |      | *     |      | 2   |          |
| 6   |             | WP0501016SD |             | WASHER 5X10.5X1                 |              |        |      | *     |      | 2   |          |
| 7   |             | 26025502    |             | BUTTON CLAMP HOLDER             |              |        |      | *     |      | 1   |          |
| 8   |             | B25473720C0 |             | JAW LEVER HOLDER ASM.           |              |        |      | *     |      | 1   |          |
| 9   |             | SD0550301SP |             | HINGE SCREW D=5.5 H=3           |              |        |      | *     |      | 1   |          |
| 10  |             | 26025403    |             | JAW LEVER HOLDER                |              |        |      | *     |      | 1   |          |
| 11  |             | SD0550181SP |             | HINGE SCREW D= 5.50 H= 1.8      |              |        |      | *     |      | 1   |          |
| 12  |             | 26025809    |             | CLAMP SCREW A                   |              |        |      | *     |      | 1   |          |
| 13  | R           | 26025700    | B2548372000 | SNAP FASTENER C-LAMP STOP LEVER |              |        |      | *     |      | 1   | 1.00     |
| 14  |             | 26026005    |             | NUT                             |              |        |      | *     |      | 1   |          |
| 15  |             | 26025908    |             | BUTTON CLAMP SLIDE              |              |        |      | *     |      | 1   |          |
| 16  |             | B25553720A0 |             | BUTTON CLAMP LEVER JAW, LEFT A  |              |        |      | *     |      | 1   |          |
| 17  | R           | 26026104    | B2555372000 | BUTTON CLAMP LEVER JAW (LEFT)   |              |        |      | *     |      | 1   | 1.00     |
| 18  | R           | 26026203    | B2556372000 | BUTTON HOLDING SPRING, LEFT     |              |        |      | *     |      | 1   | 1.00     |
| 19  |             | B2559372000 |             | BUTTON CLAMP LOCATING PIN       |              |        |      | *     |      | 1   |          |
| 20  |             | SS7090410SP |             | SCREW 9/64-40 L= 3.5            |              |        |      | *     |      | 1   |          |
| 21  |             | B25573720A0 |             | BUTTON CLAMP LEVER JAW, RIGHT   |              |        |      | *     |      | 1   |          |
| 22  | R           | 26026302    | B2557372000 | BUTTON CLAMP LEVER JAW RIGHT    |              |        |      | *     |      | 1   | 1.00     |
| 23  | R           | 26026401    | B2558372000 | BUTTON HOLDING SPRING, RIGHT    |              |        |      | *     |      | 1   | 1.00     |
| 24  |             | B2559372000 |             | BUTTON CLAMP LOCATING PIN       |              |        |      | *     |      | 1   |          |
| 25  |             | SS7090410SP |             | SCREW 9/64-40 L= 3.5            |              |        |      | *     |      | 1   |          |
| 26  |             | 26026609    |             | BUTTON CLAMP STOP PIN           |              |        |      | *     |      | 2   |          |
| 27  |             | SD0640391TP |             | HINGE SCREW D= 6.35 H= 3.9      |              |        |      | *     |      | 2   |          |
| 28  | R           | 26026708    | B2561372000 | BUTTON CLAMP SPRING             |              |        |      | *     |      | 1   | 1.00     |
| 29  |             | SS7150940SP |             | SCREW 15/64-28 L=9              |              |        |      | *     |      | 1   |          |
| 30  | R           | 26026807    | 40041058    | PICK-UP DEVICE LIFTING HOOK     | FOR MB-377NS |        |      | *     |      | 1   | 1.00     |
| 31  |             | 26025205    |             | HINGE PIN                       |              |        |      |       |      | 1   |          |
| 32  |             | B2541372000 |             | SNAP RING                       |              |        |      |       |      | 1   |          |
| 33  |             | NS6150430SP |             | NUT 15/64-28                    |              |        |      |       |      | 1   |          |
| 34  |             | 26026906    |             | PICK-UP DEVICE STOPPER PIN      |              |        |      |       |      | 1   |          |
| 35  |             | 26027003    |             | BUTTON CLAMP PRESSER ADJUSTIN   |              |        |      |       |      | 1   |          |
| 36  |             | 26027102    |             | PRESSURE ADJUSTING SPRING       |              |        |      |       |      | 1   |          |
| 37  |             | NS6660511SP |             | NUT 1/4                         |              |        |      |       |      | 2   |          |
| 38  |             | 26027409    |             | FINGER GUARD                    |              |        |      |       |      | 1   |          |

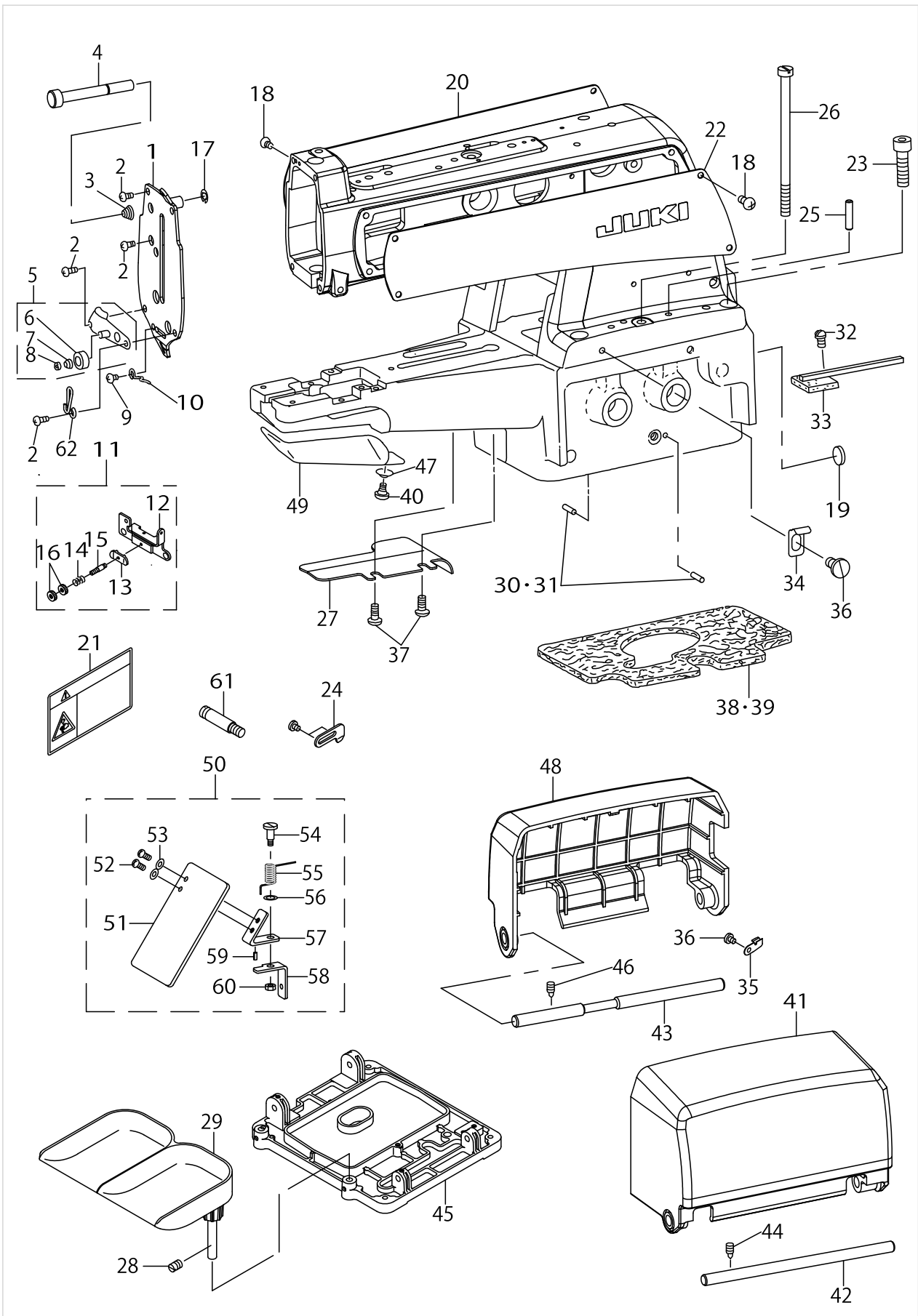
ARM & MISCELLANEOUS COVERS COMPONENTS



ARM & MISCELLANEOUS COVERS COMPONENTS

| No. | Supply Code | Parts No.    | Replacement | Parts name                     | Remarks         | Choice | Step | Level | Cons | Qty | Rep. QTY |
|-----|-------------|--------------|-------------|--------------------------------|-----------------|--------|------|-------|------|-----|----------|
| 1   |             | 26038752     |             | FACE PLATE                     |                 |        |      |       |      | 1   |          |
| 2   |             | SS4120915SP  |             | SCREW 3/16-28 L=9              |                 |        |      |       |      | 4   |          |
| 3   |             | 26021600     |             | TENSION SPRING                 |                 |        |      |       |      | 1   |          |
| 4   |             | 26032003     |             | NIPPER RELEASING STUD          |                 |        |      |       |      | 1   |          |
| 5   |             | 26001164     |             | THREAD TENSION GUIDE NO.3 ASM. | FOR MB-373NS    |        |      |       |      | 1   |          |
| 6   |             | 26001404     |             | THREAD TENSION DISC NO.3       |                 |        |      | *     |      | 2   |          |
| 7   | R           | 26001305     | 26001164    | THREAD TENSION SPRING NO.3     |                 |        |      | *     |      | 1   | 1.00     |
| 8   |             | RE0300000K0  |             | E-RING 3                       |                 |        |      | *     |      | 1   |          |
| 9   |             | SS7110340SP  |             | SCREW 11/64-40 L= 3.2          |                 |        |      |       |      | 1   |          |
| 10  |             | 26031203     |             | THREAD GUIDE NO. 4             |                 |        |      |       |      | 1   |          |
| 11  |             | 26031351     |             | THREAD TENSION NO.3 ASM.       | FOR MB-377NS    |        |      |       |      | 1   |          |
| 12  |             | 26031302     |             | TENSION ADJUSTING BASE NO.3    |                 |        |      | *     |      | 1   |          |
| 13  | R           | 26031401     | 10129104    | THREAD PRESSER PLATE           |                 |        |      | *     |      | 1   | 1.00     |
| 14  | R           | 26031500     | B1136850000 | TENSION SPRING B               |                 |        |      | *     |      | 1   | 1.00     |
| 15  | R           | 26031609     | 25002809    | THREAD TENSION STUD            |                 |        |      | *     |      | 1   | 1.00     |
| 16  | R           | 26031708     | 26031351    | THREAD TENSION NUT             |                 |        |      | *     |      | 2   | 1.00     |
| 17  |             | RE0320000K0  |             | E-RING 3.2                     |                 |        |      |       |      | 1   |          |
| 18  |             | SS4120915SP  |             | SCREW 3/16-28 L=9              |                 |        |      |       |      | 8   |          |
| 19  | R           | 10004109     | 22901805    | GROUND MARK                    |                 |        |      |       |      | 1   | 1.00     |
| 20  |             | 26012104     |             | SIDE PLATE, LEFT               |                 |        |      |       |      | 1   |          |
| 21  |             | CM3002001B1  |             | SAFETY LABEL 12                |                 |        |      |       |      | 1   |          |
| 22  |             | 26012005     |             | SIDE PLATE, RIGHT              |                 |        |      |       |      | 1   |          |
| 23  |             | SM6083042CH  |             | SCREW M8 L=30                  |                 |        |      |       |      | 4   |          |
| 24  |             | 26033704     |             | STOPPER                        | FOR MB-377NS    |        |      |       |      | 1   |          |
| 25  |             | 26011205     |             | GUIDE PIN                      |                 |        |      |       |      | 2   |          |
| 26  |             | 26011908     |             | SET SCREW                      |                 |        |      |       |      | 1   |          |
| 27  |             | 26010603     |             | BED OIL SHIELD                 |                 |        |      |       |      | 1   |          |
| 28  |             | SS8150710TP  |             | SCREW 15/64-28 L=7             |                 |        |      |       |      | 1   |          |
| 29  |             | 17848458     |             | BUTTON TRAY ASM.               |                 |        |      |       |      | 1   |          |
| 30  |             | 26022608     |             | CAM INDICATING PIN A           | SELECTIVE PARTS |        |      |       |      | 2   |          |
| 31  |             | 26022707     |             | CAM INDICATING PIN B           | SELECTIVE PARTS |        |      |       |      | 2   |          |
| 32  |             | SS7110840SP  |             | SCREW 11/64-40 L=7.8           |                 |        |      |       |      | 1   |          |
| 33  |             | B35033720A0A |             | OIL SUPPLY FELT                |                 |        |      |       |      | 1   |          |
| 34  |             | 26011601     |             | SIDE COVER SPRING              |                 |        |      |       |      | 2   |          |
| 35  |             | 26011809     |             | SIDE COVER SPRING, LEFT        | FOR MB-377NS    |        |      |       |      | 1   |          |
| 36  |             | SS7120640SP  |             | SCREW 3/16-28 L=6              |                 |        |      |       |      | 2   |          |
| 37  |             | SS4110815SP  |             | SCREW 11/64-40 L=8             |                 |        |      |       |      | 2   |          |
| 38  |             | B1104372A00  |             | OILDRIPFELT(A)5MM              | SELECTIVE PARTS |        |      |       |      | 1   |          |
| 39  |             | B1104372B00  |             | OILDRIPFELT(B)7MM              | SELECTIVE PARTS |        |      |       |      | 1   |          |
| 40  |             | SD0600271SP  |             | HINGE SCREW D= 6 H= 2.7        |                 |        |      |       |      | 1   |          |
| 41  |             | 26011502     |             | SIDE COVER, RIGHT              |                 |        |      |       |      | 1   |          |
| 42  |             | 26011304     |             | SIDE COVER HINGE SHAFT         |                 |        |      |       |      | 2   |          |
| 43  |             | 26011700     |             | SIDE COVER SHAFT, LEFT         | FOR MB-377NS    |        |      |       |      | 1   |          |
| 44  |             | SS8150710TP  |             | SCREW 15/64-28 L=7             |                 |        |      |       |      | 1   |          |
| 45  |             | 26010504     |             | MACHINE SUB-BASE               |                 |        |      |       |      | 1   |          |
| 46  |             | SS8150710TP  |             | SCREW 15/64-28 L=7             |                 |        |      |       |      | 1   |          |

ARM & MISCELLANEOUS COVERS COMPONENTS

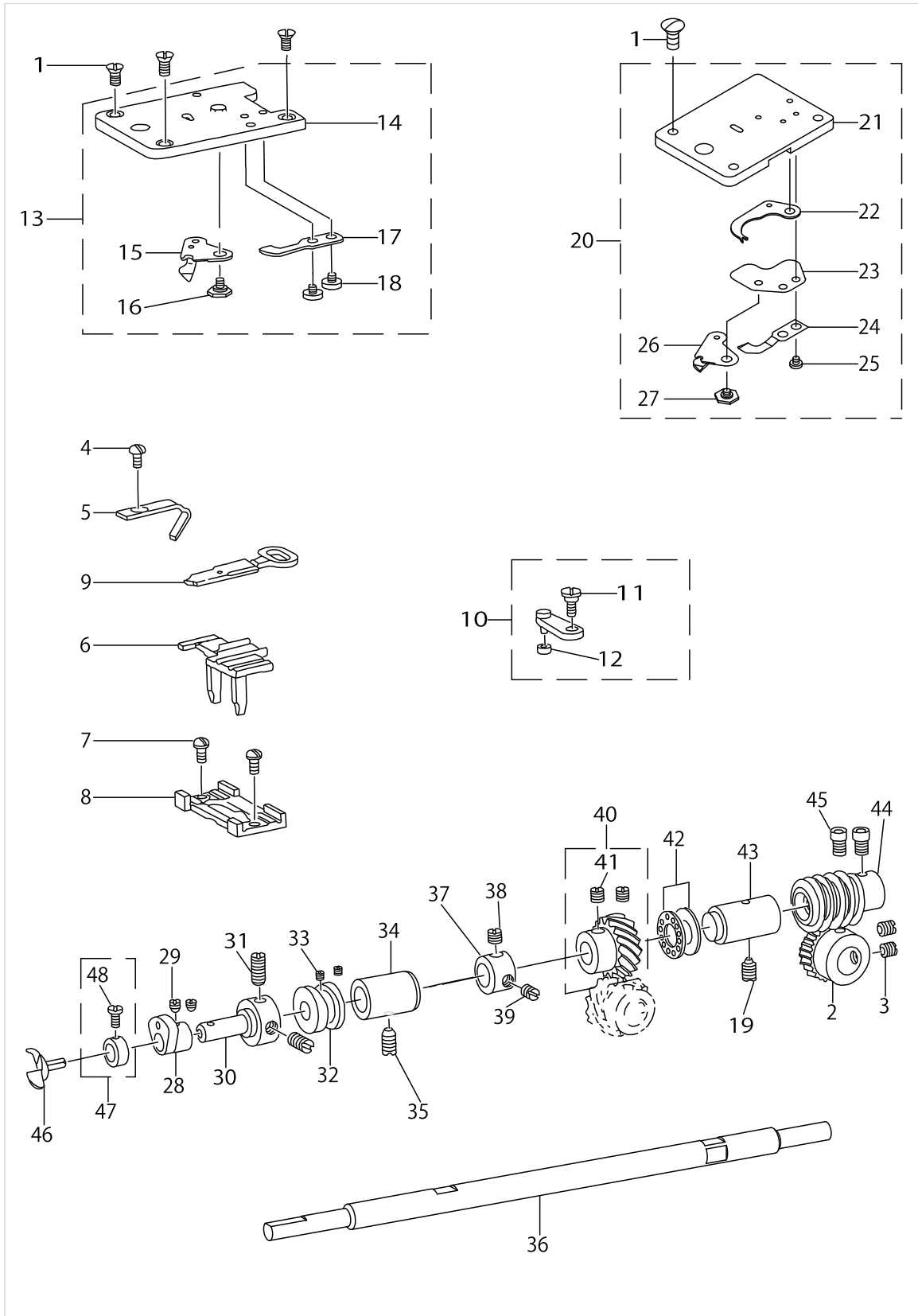


ARM & MISCELLANEOUS COVERS COMPONENTS

| No. | Supply Code | Parts No.   | Replacement | Parts name                     | Remarks      | Choice | Step | Level | Cons | Qty | Rep. QTY |
|-----|-------------|-------------|-------------|--------------------------------|--------------|--------|------|-------|------|-----|----------|
| 47  |             | WS0650389KP |             | SPRING WASHER 6.5X14.0X17      |              |        |      |       |      | 1   |          |
| 48  |             | 26011403    |             | SIDE COVER, LEFT               |              |        |      |       |      | 1   |          |
| 49  |             | 26003608    |             | LOOPER COVER                   |              |        |      |       |      | 1   |          |
| 50  | R           | B31153720A0 | 40054729    | SAFETY PLATE ASM.              |              |        |      |       |      | 1   | 1.00     |
| 51  |             | 26037200    |             | SAFETY PLATE                   |              |        |      | *     |      | 1   |          |
| 52  |             | SS4110715SP |             | SCREW 11/64-40 L=7             |              |        |      | *     |      | 2   |          |
| 53  |             | WP0450801SD |             | WASHER 4.5X10X0.8              |              |        |      | *     |      | 2   |          |
| 54  |             | SD0601021SP |             | HINGE SCREW D=6 H=10.2         |              |        |      | *     |      | 1   |          |
| 55  |             | 26037408    |             | SAFETY PLATE RETURN SPRING     |              |        |      | *     |      | 1   |          |
| 56  |             | WP0740516SP |             | WASHER 7.4X11.8X0.5            |              |        |      | *     |      | 1   |          |
| 57  | D           | 26037309    |             | SAFETY PLATE INS-TALLING PLATE |              |        |      | *     |      | 1   |          |
| 58  |             | 26037101    |             | SAFETY PLATE INSTALLING BASE   |              |        |      | *     |      | 1   |          |
| 59  |             | PS0200062KH |             | SPRING PIN 2X6                 |              |        |      | *     |      | 1   |          |
| 60  |             | NS6110310SP |             | NUT 11/64-40                   |              |        |      | *     |      | 1   |          |
| 61  |             | 13737507    |             | SUSPENSION SCREW B             | FOR MB-377NS |        |      |       |      | 1   |          |
| 62  |             | 26031104    |             | THREAD GUIDE NO. 3             |              |        |      |       |      | 1   |          |



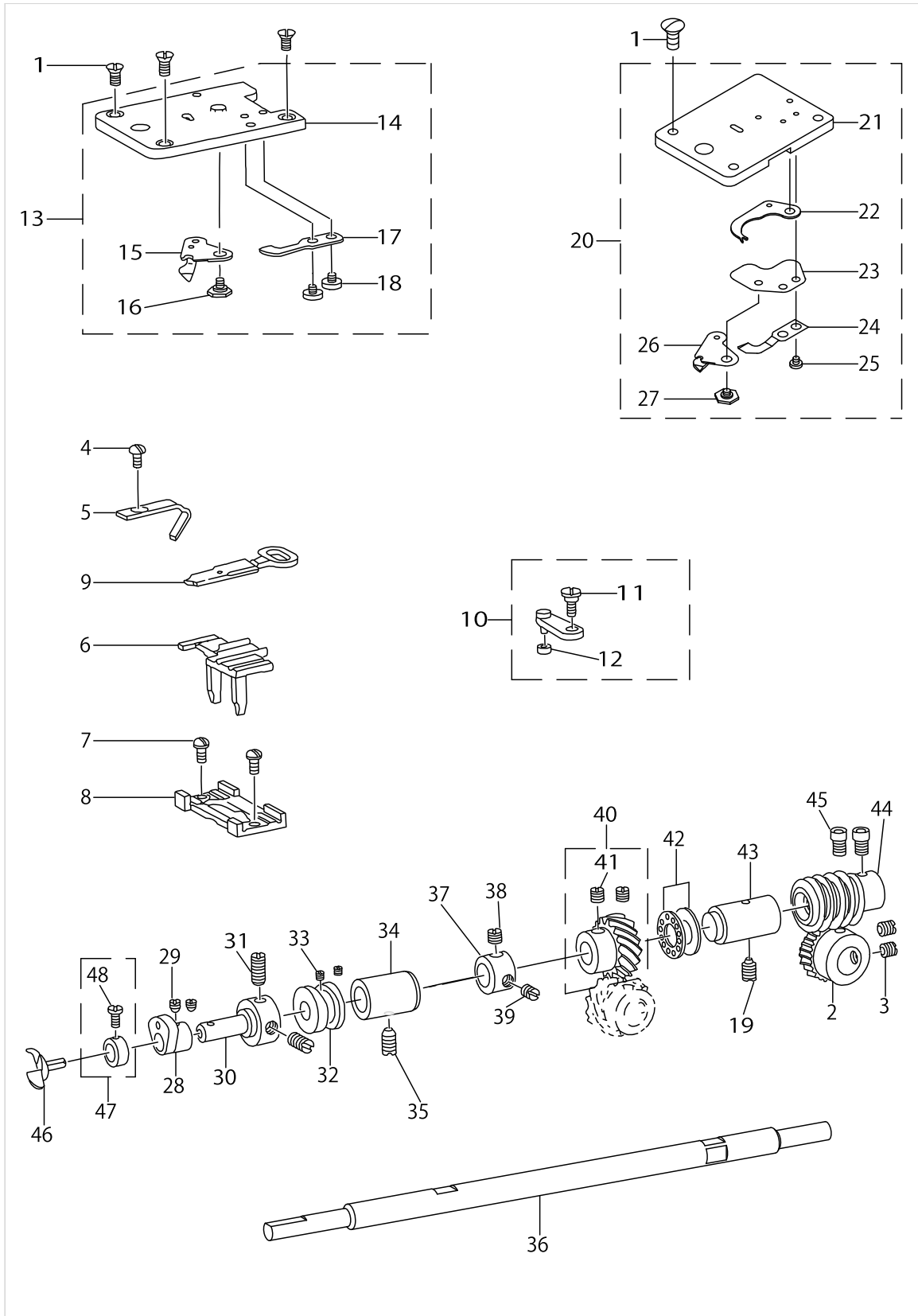
# LOOPER SHAFT MECHANISM COMPONENTS



LOOPER SHAFT MECHANISM COMPONENTS

| No. | Supply Code | Parts No.   | Replacement | Parts name                         | Remarks      | Choice | Step | Level | Cons | Qty | Rep. QTY |
|-----|-------------|-------------|-------------|------------------------------------|--------------|--------|------|-------|------|-----|----------|
| 1   |             | SS2110920TP |             | SCREW 11/64-40 L=8.5               |              |        |      |       |      | 3   |          |
| 2   | R           | B1220372000 | B1221373NA0 | CAM SHAFT DRIVEN GEAR              |              |        |      |       |      | 1   | 1.00     |
| 3   |             | SS8660612TP |             | SCREW 1/4-40 L=6                   |              |        |      |       |      | 2   |          |
| 4   |             | SS7110840SP |             | SCREW 11/64-40 L=7.8               |              |        |      |       |      | 1   |          |
| 5   |             | 26015206    |             | NEEDLE GUARD                       |              |        |      |       |      | 1   |          |
| 6   | R           | B1236373000 | 26013607    | POSITIONING FINGER YOKE SLIDE      |              |        |      |       |      | 1   | 1.00     |
| 7   |             | SS1110710SP |             | SCREW 11/64-40 L=7                 |              |        |      |       |      | 2   |          |
| 8   | R           | B1235373000 | 26013409    | YOKE SLIDE INSERT                  |              |        |      |       |      | 1   | 1.00     |
| 9   |             | 26013805    |             | YOKE SLIDE                         |              |        |      |       |      | 1   |          |
| 10  | R           | B12303720A0 | 26003756    | LOOP POSITIONING FINGER LEVER      |              | A      |      |       |      | 1   | 1.00     |
| 10  | R           | B12303720A0 | SD0640241SP | LOOP POSITIONING FINGER LEVER      |              | A      |      |       |      | 1   | 1.00     |
| 11  |             | SD0640241SP |             | HINGE SCREW D= 6.35 H= 2.4         |              |        |      | *     |      | 1   |          |
| 12  | R           | B1232372000 | 26003905    | LOOP POSITIONING FINGER LEVER      |              |        |      | *     |      | 1   | 1.00     |
| 13  |             | B12413730B0 |             | THROAT PLATE ASM.                  | FOR MB-373NS |        |      |       |      | 1   |          |
| 14  |             | B1241373000 |             | THROAT PLATE                       | FOR MB-373NS |        |      | *     |      | 1   |          |
| 15  |             | B24063730A0 |             | MOVING KNIFE ASM.                  |              |        |      | *     |      | 1   |          |
| 16  |             | SD0600095TH |             | HINGE SCREW D= 6 H= 0.85           |              |        |      | *     |      | 1   |          |
| 17  |             | B2410373000 |             | COUNTER KNIFE                      |              |        |      | *     |      | 1   |          |
| 18  |             | SS7080310SP |             | SCREW 1/8-44 L= 3.0                |              |        |      | *     |      | 2   |          |
| 19  |             | SS8151150TP |             | SCREW 15/64-28 L=10.5              |              |        |      |       |      | 1   |          |
| 20  |             | B12413770B0 |             | THROAT PLATE SET                   | FOR MB-377NS |        |      |       |      | 1   |          |
| 21  |             | B12413770A0 |             | THROAT PLATE ASM.                  | FOR MB-377NS |        |      | *     |      | 1   |          |
| 22  |             | B27033770A0 |             | THREAD BIND PLATE ASM.             | FOR MB-377NS |        |      | *     |      | 1   |          |
| 23  |             | B2702377000 |             | THREAD BIND SUPPORT PLATE          | FOR MB-377NS |        |      | *     |      | 1   |          |
| 24  |             | B2410373000 |             | COUNTER KNIFE                      |              |        |      | *     |      | 1   |          |
| 25  |             | SS7080310SP |             | SCREW 1/8-44 L= 3.0                |              |        |      | *     |      | 2   |          |
| 26  |             | B24063730A0 |             | MOVING KNIFE ASM.                  |              |        |      | *     |      | 1   |          |
| 27  |             | SD0600095TH |             | HINGE SCREW D= 6 H= 0.85           |              |        |      | *     |      | 1   |          |
| 28  |             | 26003103    |             | LOOP POSITIONING FINGER CAM        |              |        |      |       |      | 1   |          |
| 29  |             | SS8110410TP |             | SCREW 11/64-40 L= 3.5              |              |        |      |       |      | 2   |          |
| 30  |             | 26015503    |             | CAM & LOOPER SLEEVE                |              |        |      |       |      | 1   |          |
| 31  |             | SS8150410TP |             | SCREW 15/64-28 L= 4.0              |              |        |      |       |      | 2   |          |
| 32  | R           | B1228372000 | 26015404    | LOOP POSITIONING FINGER CAM RE     |              |        |      |       |      | 1   | 1.00     |
| 33  |             | SS8110310SP |             | SCREW 11/64-40 L= 2.8              |              |        |      |       |      | 2   |          |
| 34  |             | 26015305    |             | LOOPER SHAFT BUSHING, FRONT        |              |        |      |       |      | 1   |          |
| 35  |             | SS8151150TP |             | SCREW 15/64-28 L=10.5              |              |        |      |       |      | 1   |          |
| 36  |             | 26013003    |             | LOOPER SHAFT                       |              |        |      |       |      | 1   |          |
| 37  |             | CS1111019SH |             | THRUST COLLAR D=11.11 W=10         |              |        |      |       |      | 1   |          |
| 38  |             | SS8660512TP |             | SCREW 1/4-40 L=5                   |              |        |      |       |      | 1   |          |
| 39  |             | SS8660512TP |             | SCREW 1/4-40 L=5                   |              |        |      |       |      | 1   |          |
| 40  |             | B12243720A0 |             | LOOPER SHAFT DR-<br>IVEN GEAR ASM. |              |        |      |       |      | 1   |          |
| 41  |             | SS8660612TP |             | SCREW 1/4-40 L=6                   |              |        |      | *     |      | 2   |          |
| 42  |             | B1215372A00 |             | THRUST BALL BEARING                |              |        |      |       |      | 1   |          |
| 43  |             | 26013102    |             | LOOPER SHAFT BUSHING, REAR         |              |        |      |       |      | 1   |          |

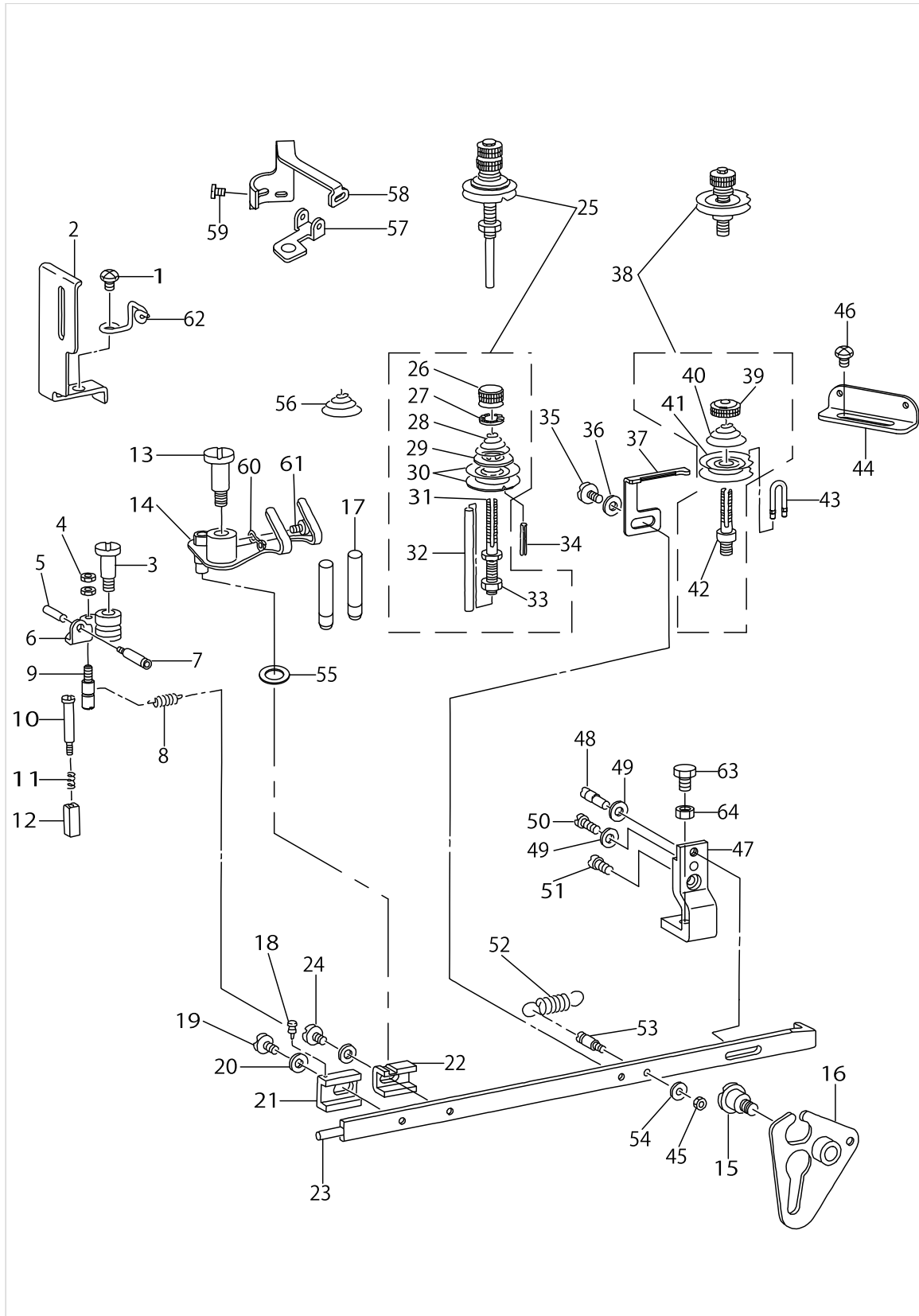
# LOOPER SHAFT MECHANISM COMPONENTS



LOOPER SHAFT MECHANISM COMPONENTS

| No. | Supply Code | Parts No.   | Replacement | Parts name          | Remarks | Choice | Step | Level | Cons | Qty | Rep. QTY |
|-----|-------------|-------------|-------------|---------------------|---------|--------|------|-------|------|-----|----------|
| 44  | R           | B1221372000 | B12213720A0 | DRIVEN WORM GEAR    |         |        |      |       |      | 1   | 1.00     |
| 45  |             | SS6660712TP |             | SCREW 1/4-40 L= 7.0 |         |        |      |       |      | 2   |          |
| 46  |             | B1239372000 |             | LOOPER              |         |        |      |       |      | 1   |          |
| 47  |             | CS079072ATH |             | THRUST COLLAR ASM.  |         |        |      |       |      | 1   |          |
| 48  |             | SS7090620TP |             | SCREW 9/64-40 L=6.1 |         |        |      | *     |      | 1   |          |

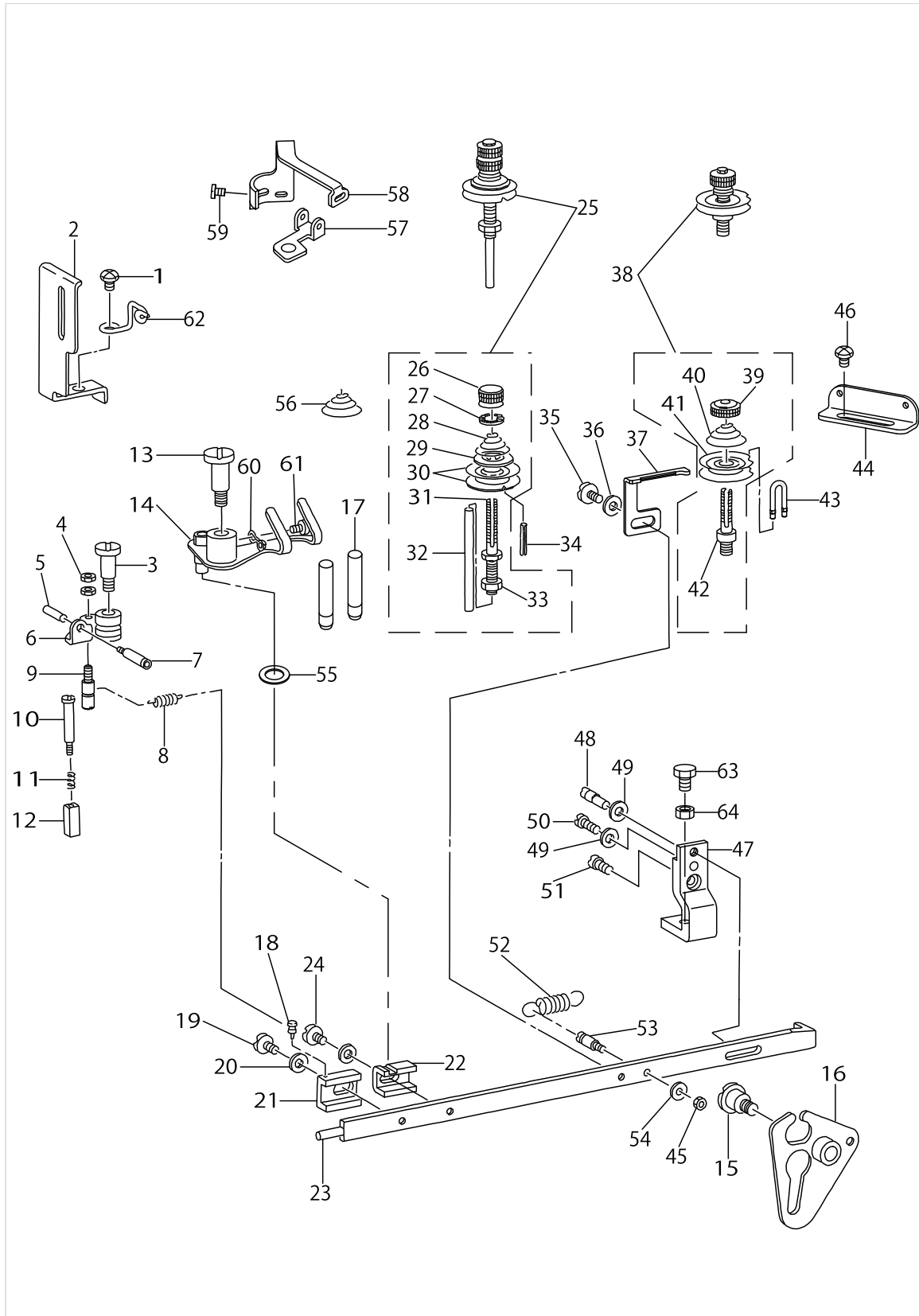
# NIPPER & THREAD TENSION PARTS COMPONENTS



NIPPER & THREAD TENSION PARTS COMPONENTS

| No. | Supply Code | Parts No.   | Replacement | Parts name                      | Remarks | Choice | Step | Level | Cons | Qty | Rep. QTY |
|-----|-------------|-------------|-------------|---------------------------------|---------|--------|------|-------|------|-----|----------|
| 1   |             | SS4150915SP |             | SCREW 15/64-28 L=9              |         |        |      |       |      | 1   |          |
| 2   |             | B1421372000 |             | NEEDLE BAR GUARD                |         |        |      |       |      | 1   |          |
| 3   |             | SD0791271SP |             | HINGE SCREW D= 7.94 H=12.7      |         |        |      |       |      | 1   |          |
| 4   |             | NS6080210SP |             | NUT 1/8-44                      |         |        |      |       |      | 2   |          |
| 5   |             | 26020602    |             | NUT                             |         |        |      |       |      | 1   |          |
| 6   |             | 26000950    |             | NIPPER COMPL.                   |         |        |      |       |      | 1   |          |
| 7   | R           | B2034372000 | 26020503    | THREAD RELEASING SCREW STUD     |         |        |      |       |      | 1   | 1.00     |
| 8   |             | 26020800    |             | NIPPER BAR BLOCK SPRING         |         |        |      |       |      | 1   |          |
| 9   |             | 26020701    |             | NIPPER BAR BLOCK SPRING SCREW   |         |        |      |       |      | 1   |          |
| 10  |             | SD0402001TP |             | HINGE SCREW D=4 H=20            |         |        |      |       |      | 1   |          |
| 11  | R           | B2029372000 | 26020404    | NIPPER BLOCK SPRING             |         |        |      |       |      | 1   | 1.00     |
| 12  |             | 26020305    |             | NIPPER BLOCK                    |         |        |      |       |      | 1   |          |
| 13  |             | SD0791503SP |             | HINGE SCREW D=7.94 H=15         |         |        |      |       |      | 1   |          |
| 14  | R           | 26001560    | 40038476    | THREAD PULL-OFF LEVER ASM.      |         |        |      |       |      | 1   | 1.00     |
| 15  |             | SD0790802TP |             | HINGE SCREW D=7.94 H=8          |         |        |      |       |      | 1   |          |
| 16  |             | 26000455    |             | NIPPER BAR ACTU-ATING LEVER ASM |         |        |      |       |      | 1   |          |
| 17  |             | 26020206    |             | THREAD GUIDE PIN                |         |        |      |       |      | 2   |          |
| 18  |             | 26019406    |             | NIPPER BAR BLOCK SPRING PIN     |         |        |      |       |      | 1   |          |
| 19  |             | SS6120930TP |             | SCREW 3/16-28 L=9               |         |        |      |       |      | 1   |          |
| 20  |             | WP0501016SD |             | WASHER 5X10.5X1                 |         |        |      |       |      | 2   |          |
| 21  |             | 26019307    |             | NIPPER BAR BLOCK                |         |        |      |       |      | 1   |          |
| 22  |             | 26019208    |             | TENSION LEVER ROCKING PIECE     |         |        |      |       |      | 1   |          |
| 23  |             | 26001909    |             | NIPPER BAR                      |         |        |      |       |      | 1   |          |
| 24  |             | SS6120930TP |             | SCREW 3/16-28 L=9               |         |        |      |       |      | 1   |          |
| 25  |             | B20193720AA |             | TESION POST ASM., NO.2          |         |        |      |       |      | 1   |          |
| 26  |             | B3116125000 |             | TENSION NUT                     |         |        |      | *     |      | 1   |          |
| 27  |             | 22921407    |             | ROTATION STOPPER                |         |        |      | *     |      | 1   |          |
| 28  |             | B2021372000 |             | THREAD TENSION SPRING NO.2      |         |        |      | *     |      | 1   |          |
| 29  |             | B3132012000 |             | TENSION DISC HOLDER             |         |        |      | *     |      | 1   |          |
| 30  |             | B2016372000 |             | TENSION DISC                    |         |        |      | *     |      | 2   |          |
| 31  |             | B2019372000 |             | TENSION POST NO.2               |         |        |      | *     |      | 1   |          |
| 32  |             | B2020372000 |             | TENSION RELEASE PIN             |         |        |      | *     |      | 1   |          |
| 33  |             | NS6160520SP |             | NUT 1/4-24                      |         |        |      | *     |      | 1   |          |
| 34  |             | PS0300162KH |             | SPRING PIN 3X16                 |         |        |      |       |      | 1   |          |
| 35  |             | SS6120930TP |             | SCREW 3/16-28 L=9               |         |        |      |       |      | 1   |          |
| 36  |             | WP0501016SD |             | WASHER 5X10.5X1                 |         |        |      |       |      | 1   |          |
| 37  |             | 26019109    |             | THREAD TENSION RELEASING LEVER  |         |        |      |       |      | 1   |          |
| 38  |             | 26005157    |             | THREAD TENSION ASM. (NO.1)      |         |        |      |       |      | 1   |          |
| 39  | R           | B3125012000 | 22928808    | THREAD TENSION NUT              |         |        |      | *     |      | 1   | 1.00     |
| 40  |             | B2017372000 |             | TENSION SPRING NO.1             |         |        |      | *     |      | 1   |          |
| 41  |             | B2016372000 |             | TENSION DISC                    |         |        |      | *     |      | 2   |          |
| 42  | D           | B2015372000 |             | THREAD TENSION STAFF NO. 1      |         |        |      | *     |      | 1   |          |
| 43  |             | 26019505    |             | THREAD GUIDE                    |         |        |      |       |      | 1   |          |
| 44  |             | 26021402    |             | THREAD GUIDE NO.1               |         |        |      |       |      | 1   |          |
| 45  |             | NS6080340SP |             | NUT 1/8-44                      |         |        |      |       |      | 1   |          |

# NIPPER & THREAD TENSION PARTS COMPONENTS

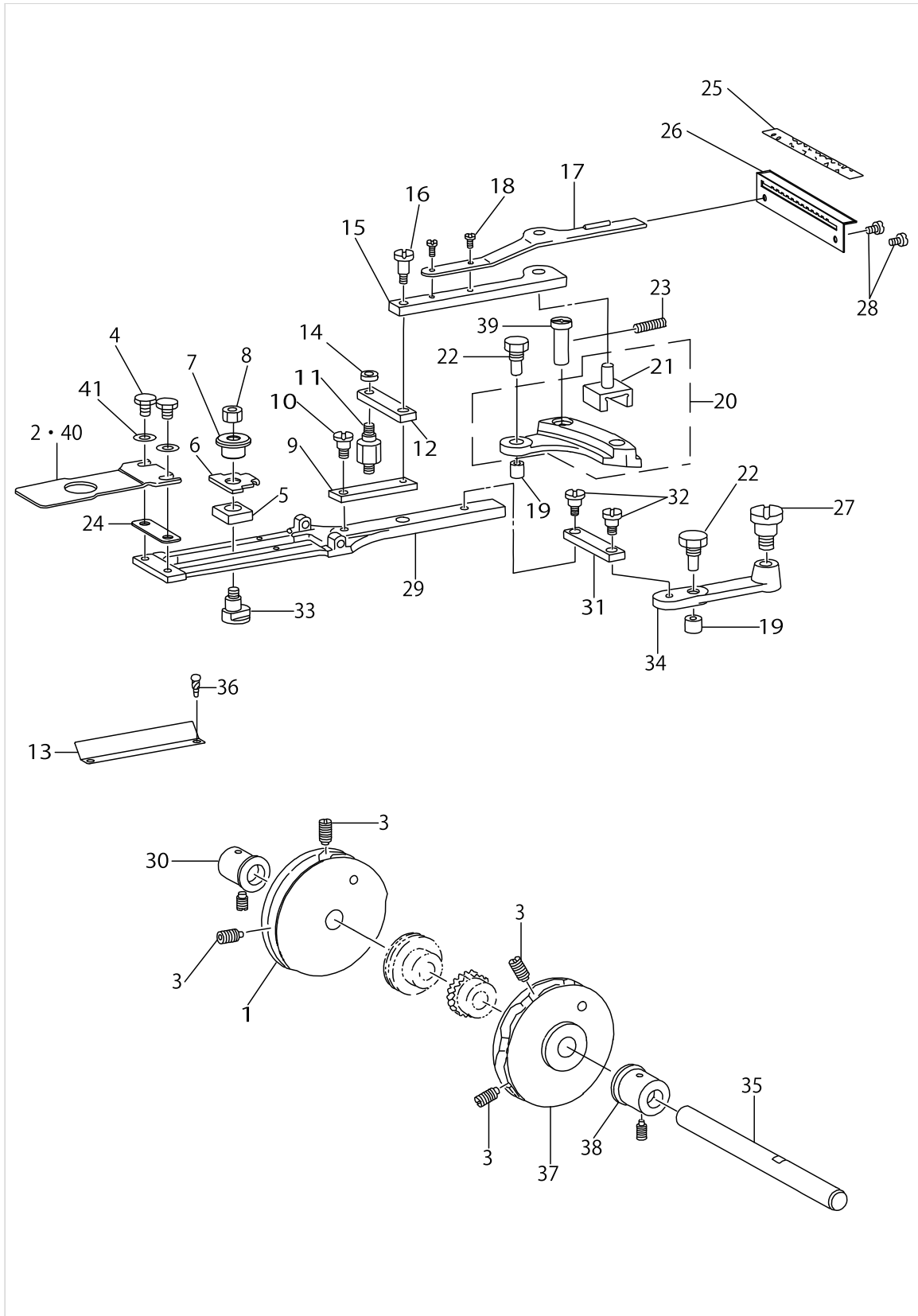


NIPPER & THREAD TENSION PARTS COMPONENTS

| No. | Supply Code | Parts No.   | Replacement | Parts name               | Remarks      | Choice | Step | Level | Cons | Qty | Rep. QTY |
|-----|-------------|-------------|-------------|--------------------------|--------------|--------|------|-------|------|-----|----------|
| 46  |             | SS4150915SP |             | SCREW 15/64-28 L=9       |              |        |      |       |      | 1   |          |
| 47  |             | 26001800    |             | NIPPER BAR BEARING BLOCK |              |        |      |       |      | 1   |          |
| 48  |             | B2006372000 |             | ADJUSTING SCREW          |              |        |      |       |      | 1   |          |
| 49  |             | WP0480856SP |             | WASHER 4.8X8.4X0.8       |              |        |      |       |      | 2   |          |
| 50  |             | SS6121610TP |             | SCREW 3/16-28 L=15.5     |              |        |      |       |      | 1   |          |
| 51  |             | SS6121050SP |             | SCREW 3/16-28 L=9.5      |              |        |      |       |      | 1   |          |
| 52  | D           | 26019000    |             | THREAD TENSION SPRING    |              |        |      |       |      | 1   |          |
| 53  |             | B2007372000 |             | NIPPER BAR SPRING SCREW  |              |        |      |       |      | 1   |          |
| 54  |             | WP0371016SD |             | WASHER 3.7X8X1           |              |        |      |       |      | 1   |          |
| 55  | R           | 26019604    | 26217604    | WASHER                   |              |        |      |       |      | 1   | 1.00     |
| 56  |             | B3114232000 |             | THREAD TENSION SPRING    |              |        |      |       |      | 1   |          |
| 57  |             | 26021105    |             | THREAD GUIDE             | FOR MB-377NS |        |      |       |      | 1   |          |
| 58  |             | 26021204    |             | LEVER                    | FOR MB-377NS |        |      |       |      | 1   |          |
| 59  |             | SS7090540TP |             | SCREW 9/64-40 L=5        | FOR MB-377NS |        |      |       |      | 1   |          |
| 60  |             | 26021501    |             | THREAD GUIDE             | FOR MB-373NS |        |      |       |      | 1   |          |
| 61  |             | SS4090415SP |             | SCREW 9/64-40 L=4        | FOR MB-373NS |        |      |       |      | 1   |          |
| 62  |             | B2038372000 |             | THREAD GUIDE NO. 2       | FOR MB-373NS |        |      |       |      | 1   |          |
| 63  |             | SM9061403CP |             | SCREW M6 L=14            |              |        |      |       |      | 1   |          |
| 64  |             | NM6060001SE |             | NUT M6                   |              |        |      |       |      | 1   |          |



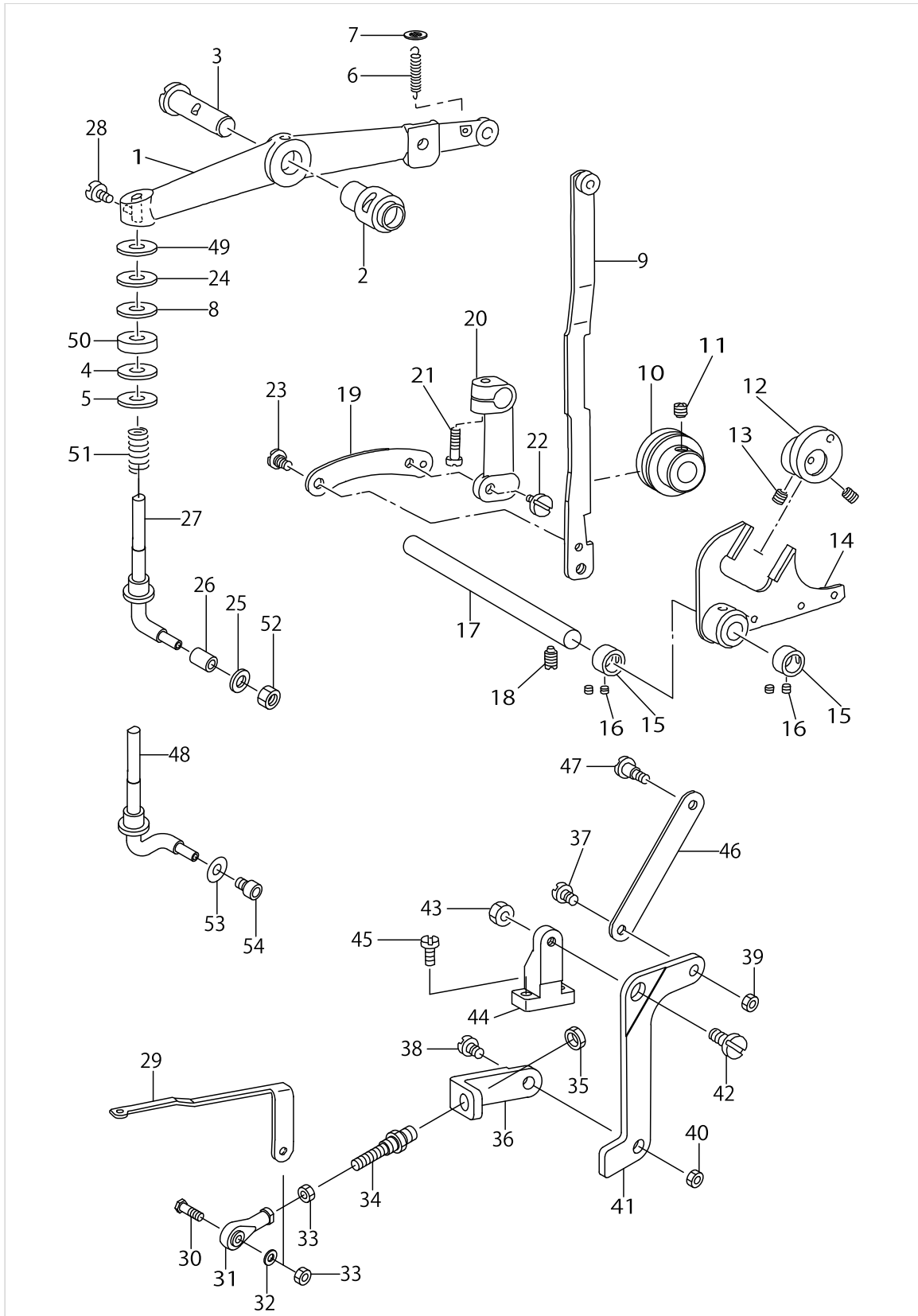
FEED PLATE COMPONENTS



FEED PLATE COMPONENTS

| No. | Supply Code | Parts No.    | Replacement  | Parts name                     | Remarks      | Choice | Step | Level | Cons | Qty | Rep. QTY |
|-----|-------------|--------------|--------------|--------------------------------|--------------|--------|------|-------|------|-----|----------|
| 1   |             | B2506373000A |              | LONGITUDINAL FEED CAM          |              |        |      |       |      | 1   |          |
| 2   |             | B2529373000  |              | FEED PLATE, SMALL BUTTON       |              |        |      |       |      | 1   |          |
| 3   |             | SS8681412TP  |              | SCREW 9/32-28 L=13.5           |              |        |      |       |      | 4   |          |
| 4   |             | SS9120643TP  |              | SCREW 3/16-28 L=6              |              |        |      |       |      | 2   |          |
| 5   |             | 26024604     |              | INDICATOR PIN BEARING BLOCK    |              |        |      |       |      | 1   |          |
| 6   |             | 26024901     |              | CROSSWISE FEED INDICATOR       |              |        |      |       |      | 1   |          |
| 7   |             | 26024703     |              | CROSSWISE FEED INDICATOR PIN   |              |        |      |       |      | 1   |          |
| 8   |             | NS6160520SP  |              | NUT 1/4-24                     |              |        |      |       |      | 1   |          |
| 9   |             | 26024109     |              | SLIDE PLATE CONNECTING LINK A  |              |        |      |       |      | 1   |          |
| 10  |             | SD0640481SP  |              | HINGE SCREW D= 6.35 H= 4.8     |              |        |      |       |      | 1   |          |
| 11  |             | 26024307     |              | STUD                           |              |        |      |       |      | 1   |          |
| 12  |             | 26024208     |              | INTERMEDI CONNECTING LINK      |              |        |      |       |      | 1   |          |
| 13  |             | 26024802     |              | CROSSWISE FEED GRADVATED PLATE |              |        |      |       |      | 1   |          |
| 14  |             | NS6120630SP  |              | NUT 3/16-28                    |              |        |      |       |      | 1   |          |
| 15  | R           | B2513372000  | B2513372000A | INDICATOR SPRING CONNECTING LI |              |        |      |       |      | 1   | 1.00     |
| 16  |             | SD0640961SP  |              | HINGE SCREW D= 6.35 H= 9.6     |              |        |      |       |      | 1   |          |
| 17  |             | 26024000     |              | HANDLE & INDICATOR SPRING      |              |        |      |       |      | 1   |          |
| 18  |             | SS4090615SP  |              | SCREW 9/64-40 L=6              |              |        |      |       |      | 2   |          |
| 19  |             | 26023200     |              | CAM ROLL                       |              |        |      |       |      | 2   |          |
| 20  |             | B25113720A0  |              | LENGTHWISE FEED LEVER ASM.     |              |        |      |       |      | 1   |          |
| 21  | R           | B2512372000  | B25113720A0  | LENGTHWISE FEED LEVER SLIDE BL |              |        |      | *     |      | 1   | 1.00     |
| 22  |             | 26023309     |              | CAM ROLL SCREW STUD            |              |        |      |       |      | 2   |          |
| 23  |             | SS8152030SP  |              | SCREW 15/64-28 L=20            |              |        |      |       |      | 1   |          |
| 24  |             | 26025106     |              | SPACER                         | FOR MB-377NS |        |      |       |      | 1   |          |
| 25  |             | B2563372000  |              | LENGTHWISE FEED GRADUATE PLATE |              |        |      |       |      | 1   |          |
| 26  |             | 26027300     |              | PLATE BASE                     |              |        |      |       |      | 1   |          |
| 27  |             | SD0791051SP  |              | HINGE SCREW D= 7.94 H=10.5     |              |        |      |       |      | 1   |          |
| 28  |             | SS4120615SP  |              | SCREW 3/16-28 L=6              |              |        |      |       |      | 2   |          |
| 29  | R           | B2522373000A | 40038463     | FEED PLATE                     |              |        |      |       |      | 1   | 1.00     |
| 30  |             | 26022509     |              | CAM SHAFT BUSHING, LEFT        |              |        |      |       |      | 1   |          |
| 31  |             | 26024208     |              | INTERMEDI CONNECTING LINK      |              |        |      |       |      | 1   |          |
| 32  |             | SD0640481SP  |              | HINGE SCREW D= 6.35 H= 4.8     |              |        |      |       |      | 2   |          |
| 33  |             | B2523372000  |              | HINGE SCREW FOR CROSSWISE FEED |              |        |      |       |      | 1   |          |
| 34  | R           | B2510372000A | 26023507     | CROSSWISE FEED LEVER           |              |        |      |       |      | 1   | 1.00     |
| 35  |             | 26004101     |              | CAM SHAFT                      |              |        |      |       |      | 1   |          |
| 36  |             | B1161227000  |              | RIVET                          |              |        |      |       |      | 2   |          |
| 37  |             | B2505373000A |              | LATERAL FEED CAM               |              |        |      |       |      | 1   |          |
| 38  |             | 26022400     |              | CAM SHAFT BUSHING, RIGHT       |              |        |      |       |      | 1   |          |
| 39  |             | 26023408     |              | FEED STUD                      |              |        |      |       |      | 1   |          |
| 40  |             | D2529373B00A |              | FEED PLATE MEDIUM SIZE BUTTON  |              |        |      |       |      | 1   |          |
| 41  |             | WP0501016SD  |              | WASHER 5X10.5X1                |              |        |      |       |      | 2   |          |

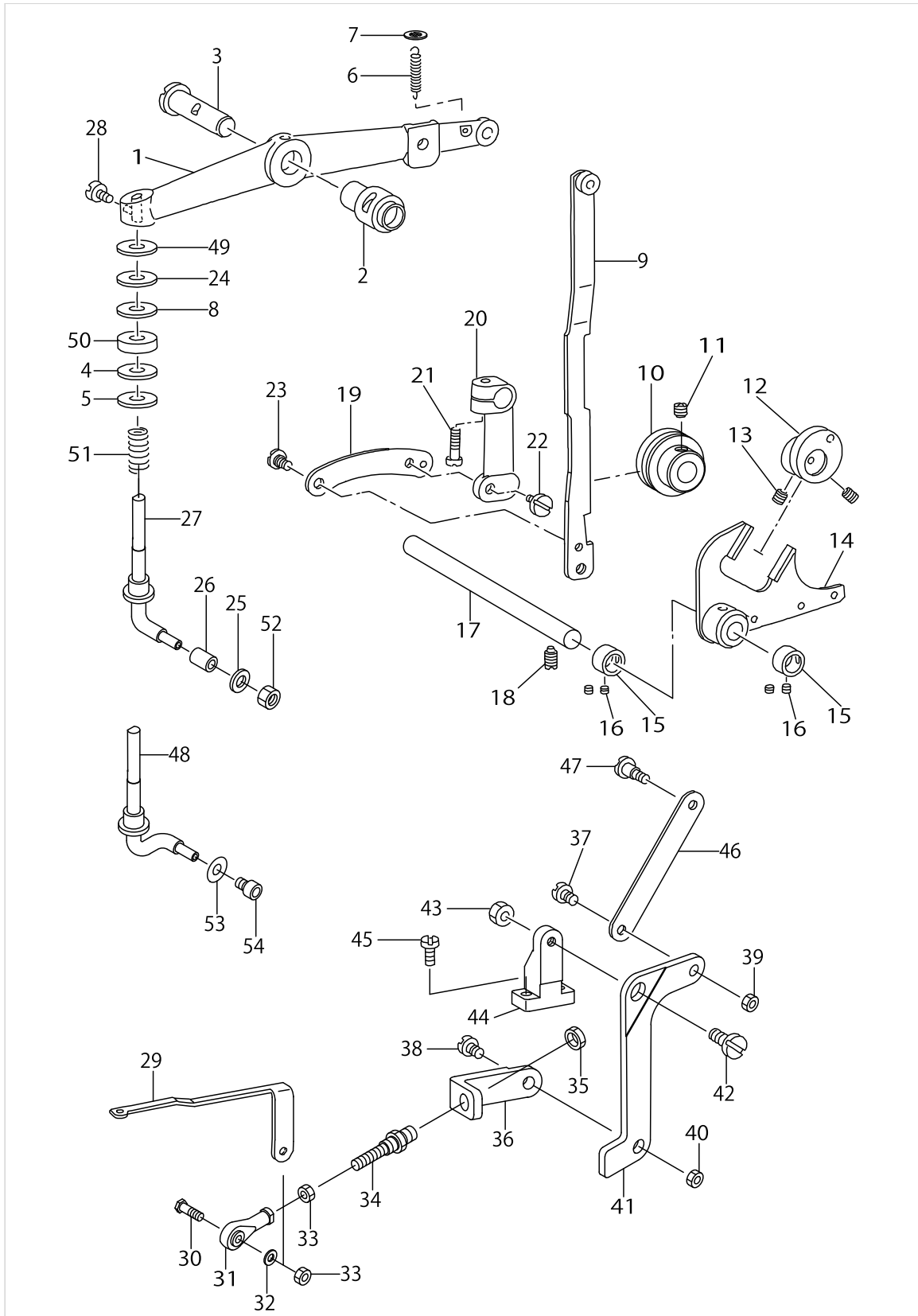
# BUTTON CLAMP LIFTER COMPONENTS



BUTTON CLAMP LIFTER COMPONENTS

| No. | Supply Code | Parts No.    | Replacement  | Parts name                     | Remarks                                   | Choice | Step | Level | Cons | Qty | Rep. QTY |
|-----|-------------|--------------|--------------|--------------------------------|---|--------|------|-------|------|-----|----------|
| 1   |             | B4412373000A |              | LIFTING LEVER                  |   |        |      |       |      | 1   |          |
| 2   |             | 26018101     |              | BUSHING                        |   |        |      |       |      | 1   |          |
| 3   | D           | 26018200     |              | LIFTING LEVER SHAFT            |   |        |      |       |      | 1   |          |
| 4   |             | WP0751576SD  |              | WASHER 7.5X19X1.5              | SELECTIVE PARTS (USE OF ONE OR TWO PARTS) |        |      |       |      | 2   |          |
| 5   |             | WP0851846SC  |              | WASHER 8.5X22.0X1.8            | SELECTIVE PARTS (USE OF ONE OR TWO PARTS) |        |      |       |      | 2   |          |
| 6   |             | 26033407     |              | SPRING                         |   |        |      |       |      | 1   |          |
| 7   |             | 26033308     |              | WASHER                         |   |        |      |       |      | 1   |          |
| 8   |             | WP0704016SP  |              | WASHER 7X20X4                  | SELECTIVE PARTS (USE OF ONE PARTS)        |        |      |       |      | 1   |          |
| 9   | R           | B4411372000  | B4411372000A | BUTTON CLAMP LIFTING LINK      |   |        |      |       |      | 1   | 1.00     |
| 10  |             | 26032607     |              | SLIDING ROLLER                 |   |        |      |       |      | 1   |          |
| 11  |             | SS8660612TP  |              | SCREW 1/4-40 L=6               |   |        |      |       |      | 1   |          |
| 12  |             | 26003301     |              | ECCENTRIC CAM ASM.             |   |        |      |       |      | 1   |          |
| 13  |             | SS8660612TP  |              | SCREW 1/4-40 L=6               |   |        |      |       |      | 2   |          |
| 14  | D           | B4401372000  |              | BUTTON CLAMP LIFTING LINK      |   |        |      |       |      | 1   |          |
| 15  | R           | CS0950816SH  | CS0950810SH  | THRUST COLLAR D=9.5 W=8        |   |        |      |       |      | 2   | 1.00     |
| 16  |             | SS8110410TP  |              | SCREW 11/64-40 L= 3.5          |   |        |      |       |      | 4   |          |
| 17  | D           | 26032300     |              | LEVER SHAFT                    |   |        |      |       |      | 1   |          |
| 18  |             | SS8151150TP  |              | SCREW 15/64-28 L=10.5          |   |        |      |       |      | 1   |          |
| 19  | R           | B4408372000  | 26032508     | LIFTING LINK CONNECTING LINK   |   |        |      |       |      | 1   | 1.00     |
| 20  | R           | B4406372000C | B44063720A0C | LIFTING PLATE GUIDE ROD        |   |        |      |       |      | 1   | 1.00     |
| 21  |             | SS6121610TP  |              | SCREW 3/16-28 L=15.5           |   |        |      |       |      | 1   |          |
| 22  |             | SD0640481SP  |              | HINGE SCREW D= 6.35 H= 4.8     |   |        |      |       |      | 1   |          |
| 23  |             | SD0640211SP  |              | HINGE SCREW D= 6.35 H= 2.1     |   |        |      |       |      | 1   |          |
| 24  |             | WP0703516SP  |              | WASHER 7X20X3.5                | SELECTIVE PARTS (USE OF ONE PARTS)        |        |      |       |      | 1   |          |
| 25  |             | WP0371026SD  |              | WASHER 3.7X7X1                 | FOR MB-373NS                              |        |      |       |      | 1   |          |
| 26  |             | B4417372000  |              | BUTTON CLAMP LIFTING ROD ROLL  |   |        |      |       |      | 1   |          |
| 27  |             | 26000653     |              | BUTTON CLAMP LIFTING ROD COMPL | FOR MB-373NS                              |        |      |       |      | 1   |          |
| 28  |             | SM6061002TP  |              | SCREW M6 L=10                  |   |        |      |       |      | 1   |          |
| 29  |             | B2404373R00  |              | CONNECTING LINK, FRONT         |   |        |      |       |      | 1   |          |
| 30  |             | 26022202     |              | JOINT STUD                     |   |        |      |       |      | 1   |          |
| 31  |             | B1632180000  |              | FEED ADJUSTING JOINT           |   |        |      |       |      | 1   |          |
| 32  |             | WP0510516SD  |              | WASHER 5.1X7.5X0.5             |   |        |      |       |      | 1   |          |
| 33  |             | NM6050001SP  |              | NUT M5                         |   |        |      |       |      | 2   |          |
| 34  | R           | B2412373000  | 26022103     | CONNECTING SCREW               |   |        |      |       |      | 1   | 1.00     |
| 35  |             | NS6680410SP  |              | NUT 9/32-28                    |   |        |      |       |      | 2   |          |
| 36  |             | 26021808     |              | CONNECTING LINK, REAR          |   |        |      |       |      | 1   |          |
| 37  |             | SD0640323TP  |              | HINGE SCREW D= 6.35 H= 3.2     |   |        |      |       |      | 1   |          |
| 38  |             | SD0790402TP  |              | HINGE SCREW D= 7.94 H= 4       |   |        |      |       |      | 1   |          |
| 39  |             | NS6620310SP  |              | NUT 3/16-32                    |   |        |      |       |      | 1   |          |
| 40  |             | NS6150310SP  |              | NUT 15/64-28                   |   |        |      |       |      | 1   |          |

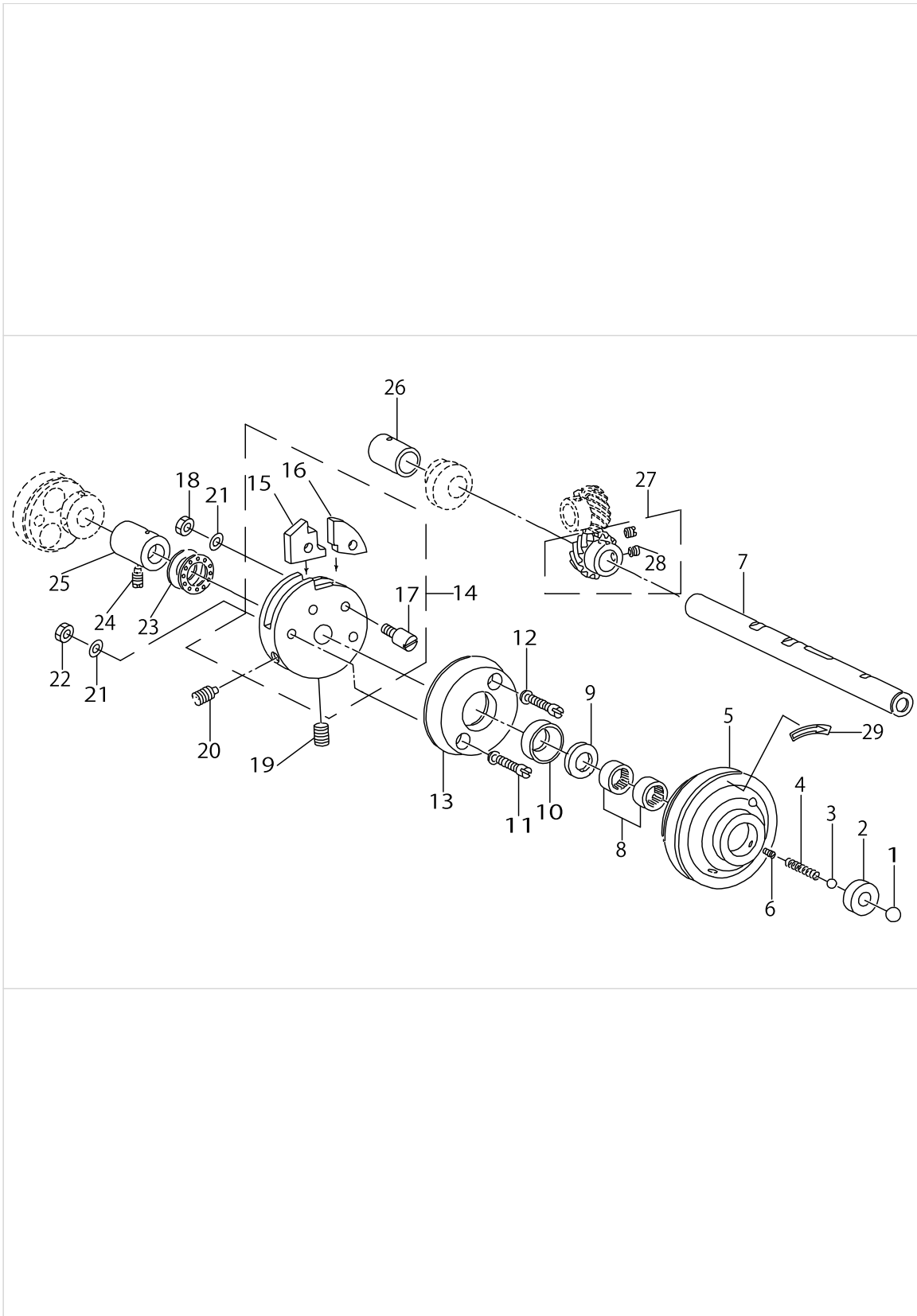
# BUTTON CLAMP LIFTER COMPONENTS



BUTTON CLAMP LIFTER COMPONENTS

| No. | Supply Code | Parts No.   | Replacement | Parts name                 | Remarks                            | Choice | Step | Level | Cons | Qty | Rep. QTY |
|-----|-------------|-------------|-------------|----------------------------|------------------------------------|--------|------|-------|------|-----|----------|
| 41  |             | 26002006    |             | THREAD TRIMMING LEVER      |                                    |        |      |       |      | 1   |          |
| 42  |             | SD0790311TP |             | HINGE SCREW D= 7.94 H= 3.1 |                                    |        |      |       |      | 1   |          |
| 43  |             | NS6110420SP |             | NUT 11/64-40               |                                    |        |      |       |      | 1   |          |
| 44  |             | 26022004    |             | THREAD TRIM LEVER BASE     |                                    |        |      |       |      | 1   |          |
| 45  |             | SS7111410TP |             | SCREW 11/64-40 L=14        |                                    |        |      |       |      | 2   |          |
| 46  |             | 26021709    |             | THREAD TRIMMING LINK       |                                    |        |      |       |      | 1   |          |
| 47  |             | SD0641322TP |             | HINGE SCREW D=6.35 H=13.2  |                                    |        |      |       |      | 1   |          |
| 48  |             | B44163770A0 |             | LIFTING BAR ASM.           | FOR MB-377NS                       |        |      |       |      | 1   |          |
| 49  |             | WP0704516SP |             | WASHER 7X20X4.5            | SELECTIVE PARTS (USE OF ONE PARTS) |        |      |       |      | 1   |          |
| 50  |             | B4420373000 |             | CUSHION                    |                                    |        |      |       |      | 1   |          |
| 51  |             | 26033605    |             | SAFETY MAGNET              |                                    |        |      |       |      | 1   |          |
| 52  |             | NS6090310SP |             | NUT 9/64-40                | FOR MB-373NS                       |        |      |       |      | 1   |          |
| 53  |             | WP0330501SB |             | WASHER M3                  | FOR MB-377NS                       |        |      |       |      | 1   |          |
| 54  |             | SM6030402TP |             | SCREW M3X0.5 L=4           | FOR MB-377NS                       |        |      |       |      | 1   |          |

# NEEDLE DRIVING PULLEY SHAFT COMPONENTS

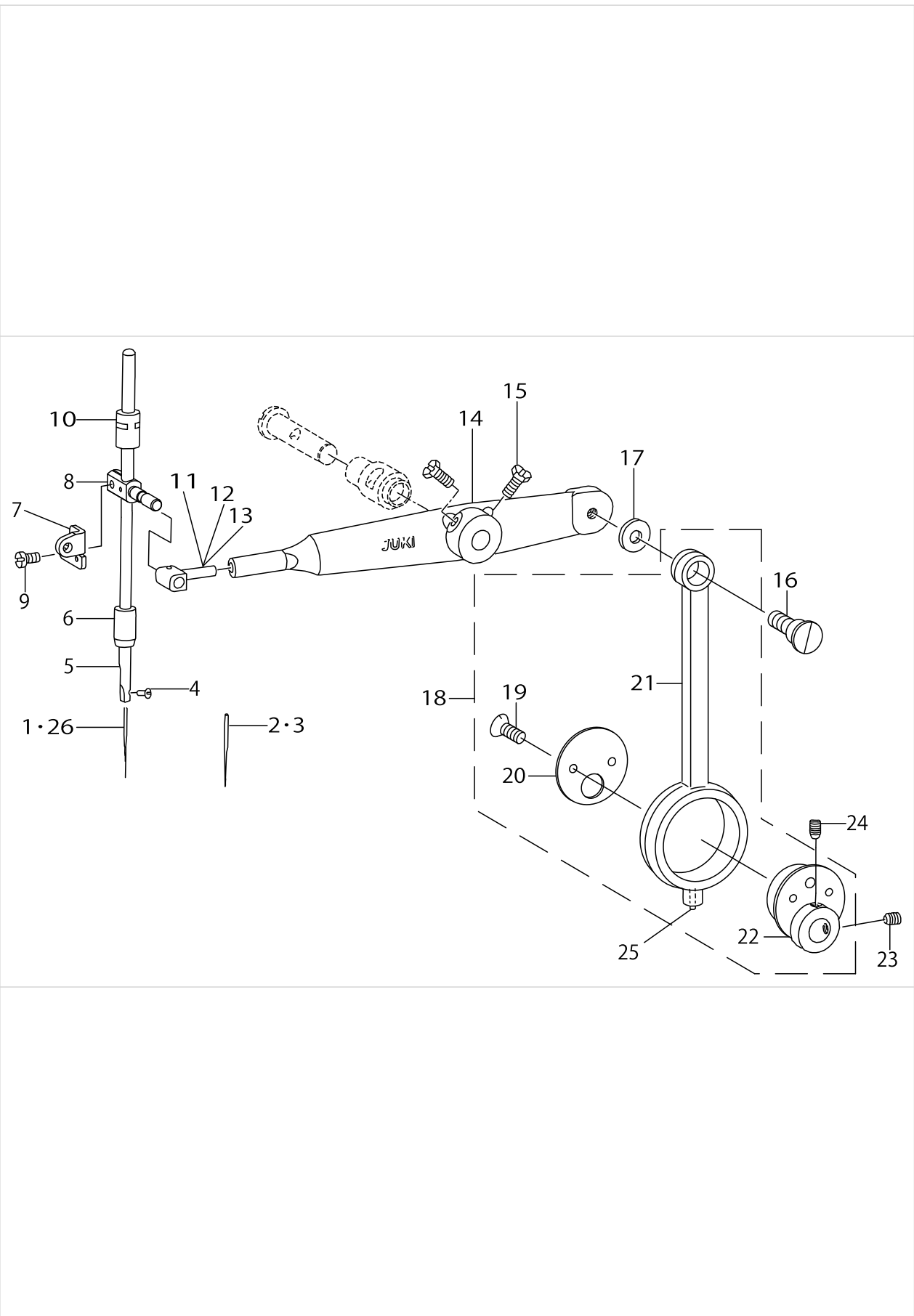


NEEDLE DRIVING PULLEY SHAFT COMPONENTS

| No. | Supply Code | Parts No.   | Replacement | Parts name                          | Remarks | Choice | Step | Level | Cons | Qty | Rep. QTY |
|-----|-------------|-------------|-------------|-------------------------------------|---------|--------|------|-------|------|-----|----------|
| 1   |             | B1203372000 |             | BALL LARGE                          |         |        |      |       |      | 1   |          |
| 2   |             | 26012401    |             | PULLEY INSERT                       |         |        |      |       |      | 1   |          |
| 3   |             | B1246372000 |             | BALL SMALL                          |         |        |      |       |      | 1   |          |
| 4   | R           | B1205372000 | 26012500    | SPRING                              |         |        |      |       |      | 1   | 1.00     |
| 5   |             | B1202372000 |             | NEEDLE DRIVING PULLEY               |         |        |      |       |      | 1   |          |
| 6   |             | SS8110750SP |             | SCREW 11/64-40 L= 6.5               |         |        |      |       |      | 1   |          |
| 7   |             | 26003004    |             | NEEDLE DRIVING PULLEY SHAFT         |         |        |      |       |      | 1   |          |
| 8   |             | B1243372000 |             | NEEDLE BEARING                      |         |        |      |       |      | 2   |          |
| 9   | R           | B1206372000 | 26012609    | GREASE RETAINING WICK               |         |        |      |       |      | 1   | 1.00     |
| 10  |             | 26012708    |             | GREASE RETAINING WICK CASE          |         |        |      |       |      | 1   |          |
| 11  |             | SS6152440SP |             | SCREW 15/64-28 L=23.5               |         |        |      |       |      | 2   |          |
| 12  |             | WP0621026SP |             | WASHER 6.2X9.5X1                    |         |        |      |       |      | 2   |          |
| 13  |             | B1208372000 |             | NEEDLE DRIVING P-<br>ULLEY CLUTCH D |         |        |      |       |      | 1   |          |
| 14  |             | B12103720A0 |             | STOP MOTION DISC ASM.               |         |        |      |       |      | 1   |          |
| 15  | R           | B1211372000 | B12103720A0 | STOP MOTION DISC PAWL (A)           |         |        |      | *     |      | 1   | 1.00     |
| 16  | R           | B1212372000 | B12103720A0 | STOP MOTION DISC LATCH (B)          |         |        |      | *     |      | 1   | 1.00     |
| 17  |             | B1213372000 |             | SCREW                               |         |        |      | *     |      | 2   |          |
| 18  |             | NS6150430SP |             | NUT 15/64-28                        |         |        |      |       |      | 2   |          |
| 19  |             | SS8701042TP |             | SCREW 5/16-24 L=10.0                |         |        |      |       |      | 1   |          |
| 20  |             | SS8701782TP |             | SCREW 5/16-24 L=17.0                |         |        |      |       |      | 1   |          |
| 21  |             | WS0651310KP |             | SPRING WASHER 6.5X11X1.3            |         |        |      |       |      | 4   |          |
| 22  |             | NS6150430SP |             | NUT 15/64-28                        |         |        |      |       |      | 2   |          |
| 23  |             | B1215372B00 |             | THRUST BALL BEARING                 |         |        |      |       |      | 1   |          |
| 24  | R           | SS8151150SP | SS8151150TP | SCREW 15/64-28 L=10.5               |         |        |      |       |      | 1   | 1.00     |
| 25  |             | B1216372000 |             | PULLEY SHAFT BUSHING, RIGHT         |         |        |      |       |      | 1   |          |
| 26  | D           | 26013201    |             | PULLEY SHAFT BUSING, LEFT           |         |        |      |       |      | 1   |          |
| 27  | R           | B12173720A0 | B12173720BA | DRIVING GEAR ASM.                   |         |        |      |       |      | 1   | 1.00     |
| 28  |             | SS8660612TP |             | SCREW 1/4-40 L=6                    |         |        |      | *     |      | 2   |          |
| 29  |             | CM500200001 |             | DIRECTION LABEL.                    |         |        |      |       |      | 1   |          |



NEEDLE BAR DRIVING MECHANISM COMPONENTS



NEEDLE BAR DRIVING MECHANISM COMPONENTS

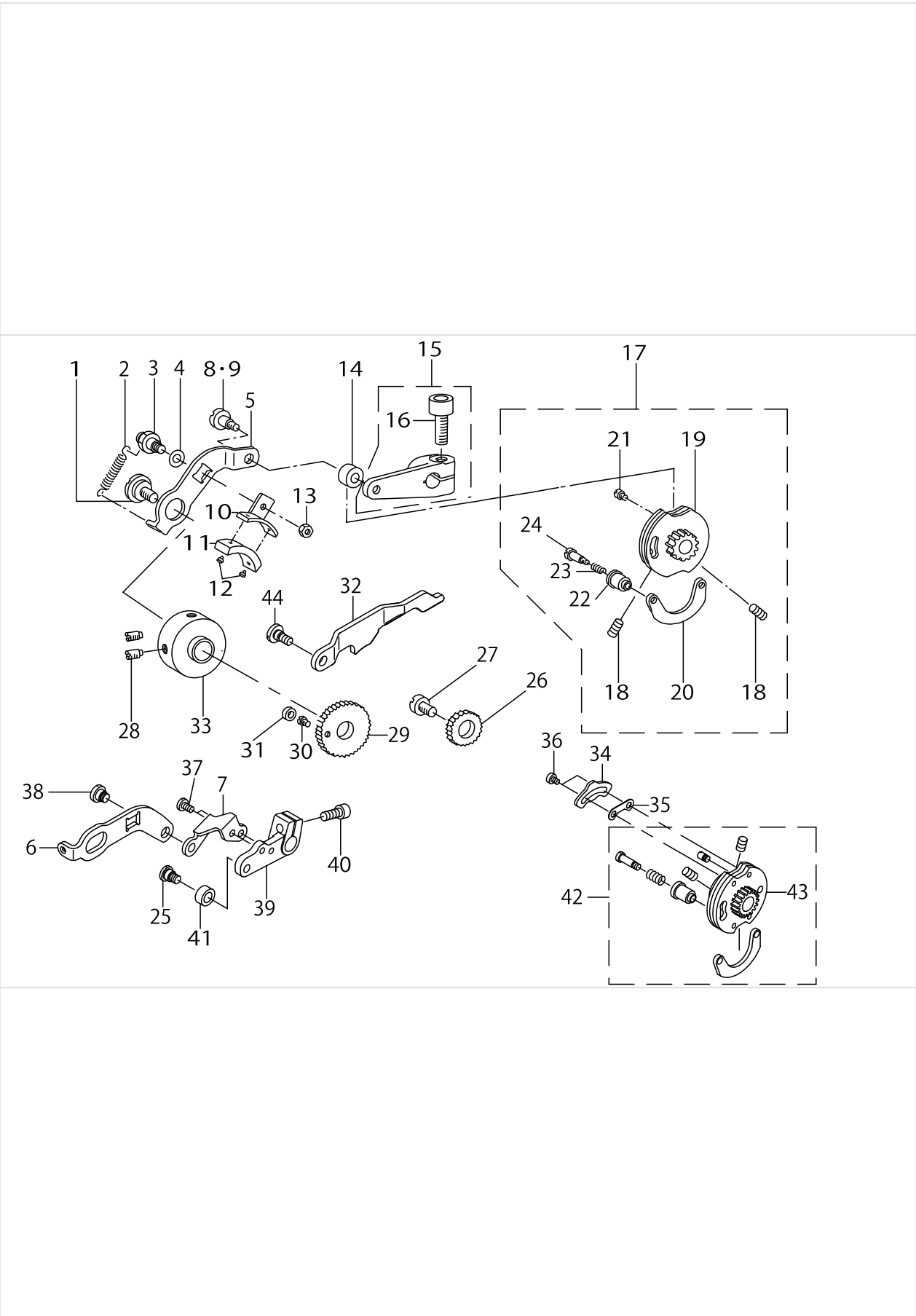
| No. | Supply Code | Parts No.    | Replacement | Parts name                | Remarks         | Choice | Step | Level | Cons | Qty | Rep. QTY |
|-----|-------------|--------------|-------------|---------------------------|-----------------|--------|------|-------|------|-----|----------|
| 1   |             | MTQ700B1600  |             | NEEDLE TQX7 #16           | FOR MB-373NS    |        |      |       |      | 1   |          |
| 2   |             | MTQ700B2000  |             | NEEDLE TQX7 #20           | FOR MB-373NS    |        |      |       |      | 1   |          |
| 3   |             | MTQ700B1800  |             | NEEDLE TQX7 #18           | FOR MB-377NS    |        |      |       |      | 1   |          |
| 4   |             | SS7080510TP  |             | SCREW 1/8-44 L=4.5        |                 |        |      |       |      | 1   |          |
| 5   |             | 26017509     |             | NEEDLE BAR                |                 |        |      |       |      | 1   |          |
| 6   |             | 26017707     |             | NEEDLE BAR BUSHING LOWER  |                 |        |      |       |      | 1   |          |
| 7   |             | 26031807     |             | NEEDLE BAR BALANCE        |                 |        |      |       |      | 1   |          |
| 8   |             | 26031906     |             | NEEDLE BAR CLAMP          |                 |        |      |       |      | 1   |          |
| 9   |             | SS6091210TP  |             | SCREW 9/64-40 L=12        |                 |        |      |       |      | 1   |          |
| 10  | R           | B1402372000  | 26017608    | NEEDLE BAR BUSHING, UPPER |                 |        |      |       |      | 1   | 1.00     |
| 11  |             | 26017806     |             | NEEDLE ROD SLIDE BLOCK    | SELECTIVE PARTS |        |      |       |      | 1   |          |
| 12  |             | 26017905     |             | NEEDLE ROD SLIDE BLOCK A  | SELECTIVE PARTS |        |      |       |      | 1   |          |
| 13  |             | 26018002     |             | NEEDLE ROD SLIDE BLOCK B  | SELECTIVE PARTS |        |      |       |      | 1   |          |
| 14  |             | B1409372000B |             | NEEDLE BAR ROCKING PIPE   |                 |        |      |       |      | 1   |          |
| 15  |             | SM9061403CP  |             | SCREW M6 L=14             |                 |        |      |       |      | 2   |          |
| 16  |             | SD0950806SH  |             | HINGE SCREW D= 9.53 H= 8  |                 |        |      |       |      | 1   |          |
| 17  |             | 26018705     |             | WASHER                    |                 |        |      |       |      | 1   |          |
| 18  | D           | B14243720A0  |             | CRANK ROD ASM.            |                 |        |      |       |      | 1   |          |
| 19  |             | SS2110920TP  |             | SCREW 11/64-40 L=8.5      |                 |        |      | *     |      | 2   |          |
| 20  |             | 26018606     |             | THRUST HOLDER             |                 |        |      | *     |      | 1   |          |
| 21  |             | 26018408     |             | CRANK ROD                 |                 |        |      | *     |      | 1   |          |
| 22  | R           | 26018507     | 26018457    | ECCENTRIC CAM             |                 |        |      | *     |      | 1   | 1.00     |
| 23  |             | SS8660612TP  |             | SCREW 1/4-40 L=6          |                 |        |      |       |      | 1   |          |
| 24  |             | SS8660942TP  |             | SCREW 1/4-40 L= 8.5       |                 |        |      |       |      | 1   |          |
| 25  | R           | B1419372000  | 26018309    | OIL WICK                  |                 |        |      |       |      | 1   | 1.00     |
| 26  |             | MTQ100B1600  |             | NEEDLE TQX1 #16           | FOR MB-377NS    |        |      |       |      | 1   |          |



STOP MOTION MECAHNISM COMPONENTS

| No. | Supply Code | Parts No.    | Replacement | Parts name                     | Remarks      | Choice | Step | Level | Cons | Qty | Rep. QTY |
|-----|-------------|--------------|-------------|--------------------------------|--------------|--------|------|-------|------|-----|----------|
| 1   |             | 26027805     |             | STOP MOTION PLUNGER ROD        |              |        |      |       |      | 1   |          |
| 2   |             | NS6150310SP  |             | NUT 15/64-28                   |              |        |      |       |      | 1   |          |
| 3   |             | 26002907     |             | STOP MOTION PLUNGER            |              |        |      |       |      | 1   |          |
| 4   |             | SS6151040SP  |             | SCREW15/64-28L=10              |              |        |      |       |      | 1   |          |
| 5   |             | B2602372000A |             | STOP MOTION PLUNGER LEVER      |              |        |      |       |      | 1   |          |
| 6   |             | 26027904     |             | STOP MOTION DISC SPRING        |              |        |      |       |      | 30  |          |
| 7   |             | B2608280000  |             | RUBBER CUSHION                 |              |        |      |       |      | 4   |          |
| 8   |             | 26030601     |             | WASHER                         |              |        |      |       |      | 1   |          |
| 9   |             | NS6680410SP  |             | NUT 9/32-28                    |              |        |      |       |      | 2   |          |
| 10  |             | 26027508     |             | STOP-MOTION SHAFT              | FOR MB-373NS |        |      |       |      | 1   |          |
| 11  |             | 26029009     |             | STOP-MOTION SHAFT              | FOR MB-377NS |        |      |       |      | 1   |          |
| 12  |             | 26027706     |             | SCREW                          |              |        |      |       |      | 1   |          |
| 13  |             | SS8151570SP  |             | SCREW 15/64-28 L=15.0          |              |        |      |       |      | 1   |          |
| 14  |             | NS6150310SP  |             | NUT 15/64-28                   |              |        |      |       |      | 1   |          |
| 15  |             | SD0680271SP  |             | HINGE SCREW D= 6.80 H= 2.7     |              |        |      |       |      | 1   |          |
| 16  |             | NS6150310SP  |             | NUT 15/64-28                   |              |        |      |       |      | 1   |          |
| 17  |             | 26028506     |             | STOP SCREW                     |              |        |      |       |      | 1   |          |
| 18  |             | NS6150310SP  |             | NUT 15/64-28                   |              |        |      |       |      | 1   |          |
| 19  |             | SM9061003CP  |             | SCREW M6 L=10                  |              |        |      |       |      | 1   |          |
| 20  | R           | B2614372000  | 26028407    | STOP MOTION TRIP LEVER         |              |        |      |       |      | 1   | 1.00     |
| 21  | R           | B2612372000  | 26028308    | STOP MOTION TRIP LEVER BRACKET |              |        |      |       |      | 1   | 1.00     |
| 22  |             | SS9150860SP  |             | SCREW 15/64-28 L=8             |              |        |      |       |      | 2   |          |
| 23  | R           | B2616372000  | 22924906    | SPRING                         |              |        |      |       |      | 1   | 1.00     |
| 24  | R           | B8133019000  | 13160304    | S SHAPED HOOK                  |              |        |      |       |      | 1   | 1.00     |
| 25  |             | 26028001     |             | STOP MOTION LEVER SPRING PIN   |              |        |      |       |      | 1   |          |
| 26  |             | 26028100     |             | STOP MOTION LEVER SPRING       |              |        |      |       |      | 1   |          |
| 27  |             | 26028209     |             | SCREW STUD                     |              |        |      |       |      | 1   |          |
| 28  |             | B2611372000  |             | STOP MOTION DISC PRESSURE LEVE |              |        |      |       |      | 1   |          |

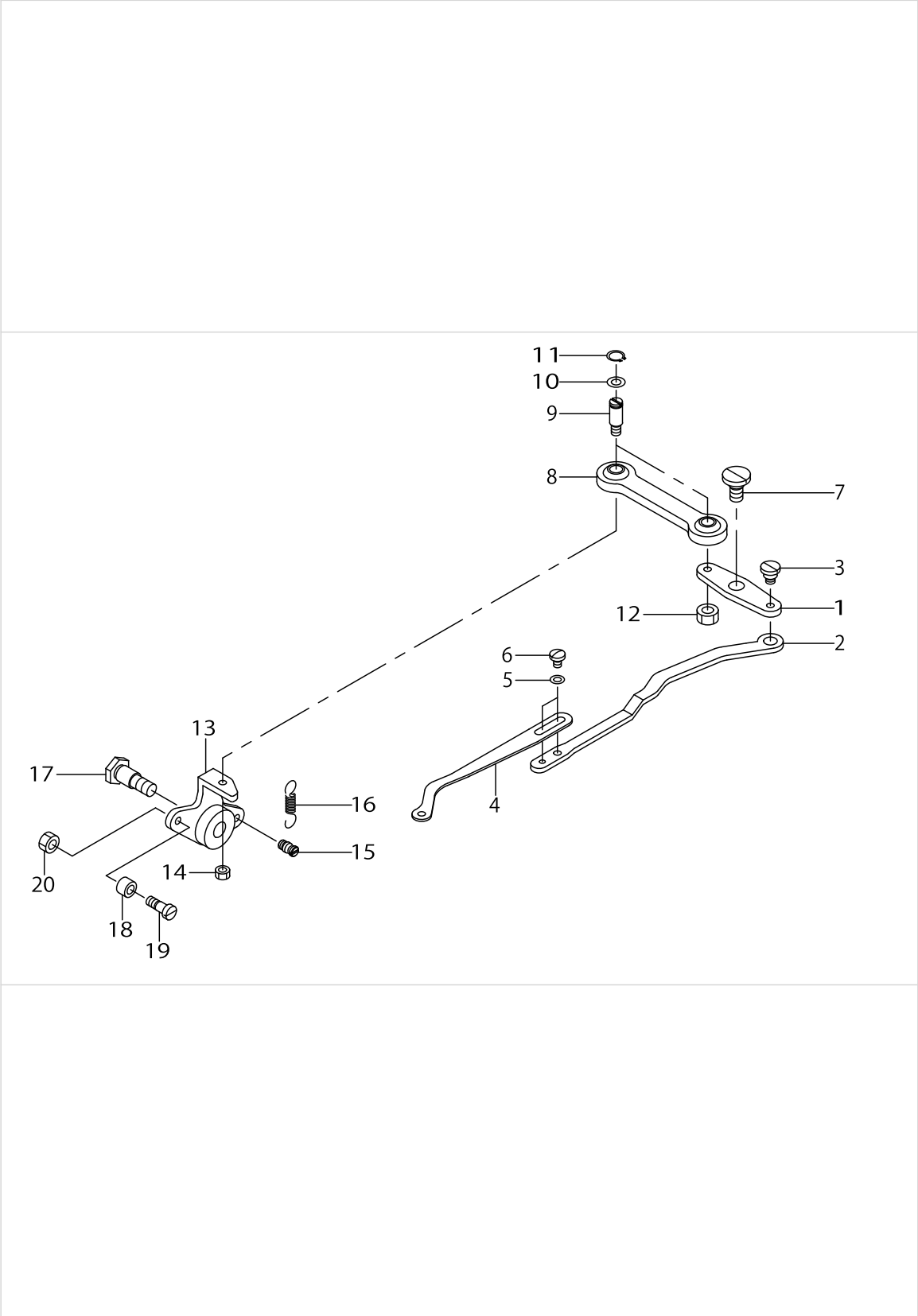
STITCH SELECTING PARTS COMPONENTS



STITCH SELECTING PARTS COMPONENTS

| No. | Supply Code | Parts No.    | Replacement | Parts name                     | Remarks      | Choice | Step | Level | Cons | Qty | Rep. QTY |
|-----|-------------|--------------|-------------|--------------------------------|--------------|--------|------|-------|------|-----|----------|
| 1   |             | SD1127321SP  |             | HINGE SCREW D=12.70 H= 3.2     |              |        |      |       |      | 1   |          |
| 2   | R           | B2643372000  | 26030304    | SPRING FOR FRICTION PLATE      |              |        |      |       |      | 1   | 1.00     |
| 3   | R           | B2638372000A | 26030007    | FRICTION PLATE R-OTATING SHAFT |              |        |      |       |      | 1   | 1.00     |
| 4   |             | WP0850002SP  |             | WASHER 8.5X18X1.6              |              |        |      |       |      | 1   |          |
| 5   |             | 26029900     |             | SPEED SLOWING LEVER            | FOR MB-373NS |        |      |       |      | 1   |          |
| 6   |             | 26030908     |             | SPEED SLOWING LEVER            | FOR MB-377NS |        |      |       |      | 1   |          |
| 7   |             | 26031005     |             | FITTING PLATE                  | FOR MB-377NS |        |      |       |      | 1   |          |
| 8   |             | SD0791331SP  |             | HINGE SCREW D= 7.94 H=13.3     | FOR MB-373NS |        |      |       |      | 1   |          |
| 9   |             | SD0710701SH  |             | HINGE SCREW                    | FOR MB-377NS |        |      |       |      | 1   |          |
| 10  |             | 26030106     |             | FRICTION PLATE HOLDER          |              |        |      |       |      | 1   |          |
| 11  |             | B2640372000  |             | SPEED SLOWING FRICTION PLATE   |              |        |      |       |      | 1   |          |
| 12  |             | B3211232000  |             | POSITIONING PIN                |              |        |      |       |      | 2   |          |
| 13  |             | NS6110310SP  |             | NUT 11/64-40                   |              |        |      |       |      | 1   |          |
| 14  |             | 26028803     |             | STOP MOTION TRIPPING LEVER CAM | FOR MB-373NS |        |      |       |      | 1   |          |
| 15  |             | B26183720A0B |             | STOP MOTION TRIPPING LEVER ASM | FOR MB-373NS |        |      |       |      | 1   |          |
| 16  |             | SM6082502TP  |             | SCREW M8 L=25                  |              |        |      | *     |      | 1   |          |
| 17  |             | B26213720B0  |             | STOP MOTION CAN ASM.           | FOR MB-373NS |        |      |       |      | 1   |          |
| 18  |             | SS8150912TH  |             | SCREW 15/64-28 L=9             |              |        |      | *     |      | 2   |          |
| 19  |             | B2623372000  |             | STOP MOTION CAM SHOE           | FOR MB-373NS |        |      | *     |      | 1   |          |
| 20  |             | B2623372000  |             | STOP MOTION CAM SHOE           |              |        |      | *     |      | 1   |          |
| 21  |             | B2624372000  |             | SCREW FOR STOP MOTION CAM SHOE |              |        |      | *     |      | 1   |          |
| 22  |             | B2625372000  |             | STOP MOTION CAM KNOB           |              |        |      | *     |      | 1   |          |
| 23  |             | B2626372000  |             | SPRING                         |              |        |      | *     |      | 1   |          |
| 24  |             | SD0481451SP  |             | HINGE SCREW D= 4.80 H=14.5     |              |        |      | *     |      | 1   |          |
| 25  |             | SD0790431SP  |             | HINGE SCREW D= 7.94 H= 4.3     | FOR MB-377NS |        |      |       |      | 1   |          |
| 26  |             | B2629372000  |             | STITCH SELECTING SPUR GEAR, MI |              |        |      |       |      | 1   |          |
| 27  |             | 26029306     |             | INTERMEDIATE GEAR SHAFT        |              |        |      |       |      | 1   |          |
| 28  |             | SS8151150TP  |             | SCREW 15/64-28 L=10.5          |              |        |      |       |      | 2   |          |
| 29  |             | B2630372000A |             | GEAR,LARGE                     |              |        |      |       |      | 1   |          |
| 30  |             | B2631372000  |             | SCREW                          |              |        |      |       |      | 1   |          |
| 31  |             | B2632372000A |             | ROLL                           |              |        |      |       |      | 1   |          |
| 32  |             | B2642372000  |             | STITCH ADJUSTING LEVER         |              |        |      |       |      | 1   |          |
| 33  |             | 26029801     |             | SPEED SLOWING FRICTION WHEEL   |              |        |      |       |      | 1   |          |
| 34  |             | 26030700     |             | THREAD BIND NOTCH              | FOR MB-377NS |        |      |       |      | 1   |          |
| 35  |             | 26030809     |             | SPACER                         | FOR MB-377NS |        |      |       |      | 1   |          |
| 36  |             | SS6090560TP  |             | SCREW 9/64-40 L=4.5            | FOR MB-377NS |        |      |       |      | 2   |          |
| 37  |             | SS7110840SP  |             | SCREW 11/64-40 L=7.8           | FOR MB-377NS |        |      |       |      | 2   |          |
| 38  |             | SD0800341SP  |             | HINGE SCREW D=8 H=3.4          | FOR MB-377NS |        |      |       |      | 1   |          |
| 39  |             | B2618377000  |             | STITCH ADJUSTING ARM           | FOR MB-377NS |        |      |       |      | 1   |          |
| 40  |             | SM6061602TN  |             | SCREW M6 L=16                  | FOR MB-377NS |        |      |       |      | 1   |          |
| 41  | R           | 26029207     | 40087058    | STITCH ADJUSTING ROLLER        | FOR MB-377NS |        |      |       |      | 1   | 1.00     |
| 42  |             | B26213770B0  |             | STITCH ADJUSTING CAM SET       | FOR MB-377NS |        |      |       |      | 1   |          |
| 43  | D           | B26213770A0  |             | STITCH ADJUSTING CAM ASM.      | FOR MB-377NS |        |      | *     |      | 1   |          |
| 44  |             | SD0600361SP  |             | HINGE SCREW D=6 H=3.6          |              |        |      |       |      | 1   |          |

THREAD BIND NOTCH COMPONENTS (FOR MB-377NS)



THREAD BIND NOTCH COMPONENTS (FOR MB-377NS)

| No. | Supply Code | Parts No.   | Replacement | Parts name                 | Remarks | Choice | Step | Level | Cons | Qty | Rep. QTY |
|-----|-------------|-------------|-------------|----------------------------|---------|--------|------|-------|------|-----|----------|
| 1   |             | 26016709    |             | THREAD BIND LEVER          |         |        |      |       |      | 1   |          |
| 2   |             | 26016600    |             | CONNECTING PLATE, LARGE    |         |        |      |       |      | 1   |          |
| 3   |             | SD0640321SP |             | HINGE SCREW D= 6.35 H= 3.2 |         |        |      |       |      | 1   |          |
| 4   |             | 26016501    |             | CONNECTING PLATE, SMALL    |         |        |      |       |      | 1   |          |
| 5   |             | WP0430800SD |             | WASHER M4                  |         |        |      |       |      | 2   |          |
| 6   |             | SS7090540TP |             | SCREW 9/64-40 L=5          |         |        |      |       |      | 2   |          |
| 7   |             | SD0720331SP |             | HINGE SCREW D= 7.24 H= 3.3 |         |        |      |       |      | 1   |          |
| 8   |             | D2509282A00 |             | WORK CAMP FOOT BALL LINK   |         |        |      |       |      | 1   |          |
| 9   |             | 26016808    |             | THREAD BIND LINK SHAFT     |         |        |      |       |      | 2   |          |
| 10  |             | WP0621026SP |             | WASHER 6.2X9.5X1           |         |        |      |       |      | 2   |          |
| 11  |             | RC0560711KP |             | RETAINING RING             |         |        |      |       |      | 2   |          |
| 12  |             | NS6110310SP |             | NUT 11/64-40               |         |        |      |       |      | 1   |          |
| 13  |             | B27093770A0 |             | THREAD BIND ARM ASM.       |         |        |      |       |      | 1   |          |
| 14  |             | NS6110310SP |             | NUT 11/64-40               |         |        |      |       |      | 1   |          |
| 15  |             | 26017400    |             | THREAD BIND ARM SPRING RAC |         |        |      |       |      | 1   |          |
| 16  | R           | B2711377000 | 26017103    | SPRING                     |         |        |      |       |      | 1   | 1.00     |
| 17  |             | SD0801021TP |             | HINGE SCREW D= 8 H=10.2    |         |        |      |       |      | 1   |          |
| 18  |             | 26017301    |             | ROLLER                     |         |        |      |       |      | 1   |          |
| 19  |             | SD0460571CP |             | HINGE SCREW D=4.6 H=5.7    |         |        |      |       |      | 1   |          |
| 20  |             | NS6110310SP |             | NUT 11/64-40               |         |        |      |       |      | 1   |          |





THREAD STAND COMPONENTS

| No. | Supply Code | Parts No.   | Replacement | Parts name                     | Remarks | Choice | Step | Level | Cons | Qty | Rep. QTY |
|-----|-------------|-------------|-------------|--------------------------------|---------|--------|------|-------|------|-----|----------|
| 1   |             | 26008359    |             | THREAD STAND ASM.              |         |        |      |       |      | 1   |          |
| 2   | R           | 22930408    | 40096354    | SPOOL REST ROD, UPPER          |         |        |      | *     |      | 1   | 1.00     |
| 3   | R           | 22930309    | 40096354    | SPOOL REST ROD, LOWER          |         |        |      | *     |      | 1   | 1.00     |
| 4   | D           | 26008300    |             | THREAD STAND HOLDER PLATE      |         |        |      | *     |      | 1   |          |
| 5   | R           | 26008409    | 26008359    | THREAD RAISING T-HREAD GUIDE A |         |        |      | *     |      | 1   | 1.00     |
| 6   | R           | 22931307    | 40096354    | SPOOL REST ROD JOINT           |         |        |      | *     |      | 1   | 1.00     |
| 7   |             | 22931406    |             | SPOOL REST ROD RUBBER CAP      |         |        |      | *     |      | 1   |          |
| 8   | R           | 22931000    | 40085790    | SPOOL PIN                      |         |        |      | *     |      | 1   | 1.00     |
| 9   |             | 22930903    |             | SPOOL REST CUSHION             |         |        |      | *     |      | 1   |          |
| 10  | R           | 22931109    | 40085791    | SPOOL RETAINER                 |         |        |      | *     |      | 1   | 1.00     |
| 11  |             | WP1612616SE |             | WASHER 16X30X2.6               |         |        |      | *     |      | 2   |          |
| 12  |             | NM6160511SE |             | NUT M16X1.5                    |         |        |      | *     |      | 3   |          |
| 13  | D           | 26008557    |             | SPOOL REST BRACKET ASM.        |         |        |      | *     |      | 1   |          |
| 14  |             | SM4051405SE |             | SCREW M5 L=14                  |         |        |      | *     |      | 2   |          |
| 15  |             | NM6050001SE |             | NUT M5                         |         |        |      | *     |      | 2   |          |
| 16  |             | NM6050001SE |             | NUT M5                         |         |        |      | *     |      | 1   |          |
| 17  |             | SM9061080SE |             | SCREW M6 L=10                  |         |        |      | *     |      | 1   |          |
| 18  |             | SM9050813SE |             | SCREW M5X0.8 L=8               |         |        |      | *     |      | 1   |          |
| 19  |             | WP0520656SA |             | WASHER 5.2X9.5X0.6             |         |        |      | *     |      | 1   |          |
| 20  |             | WS0510002KN |             | SPRING WASHER                  |         |        |      | *     |      | 1   |          |
| 21  |             | WS0521010KN |             | SPRING WASHER 5.2X8.2X1        |         |        |      | *     |      | 1   |          |
| 22  |             | 22931208    |             | THREAD GUIDE                   |         |        |      | *     |      | 1   |          |

TABLE & STAND COMPONENTS

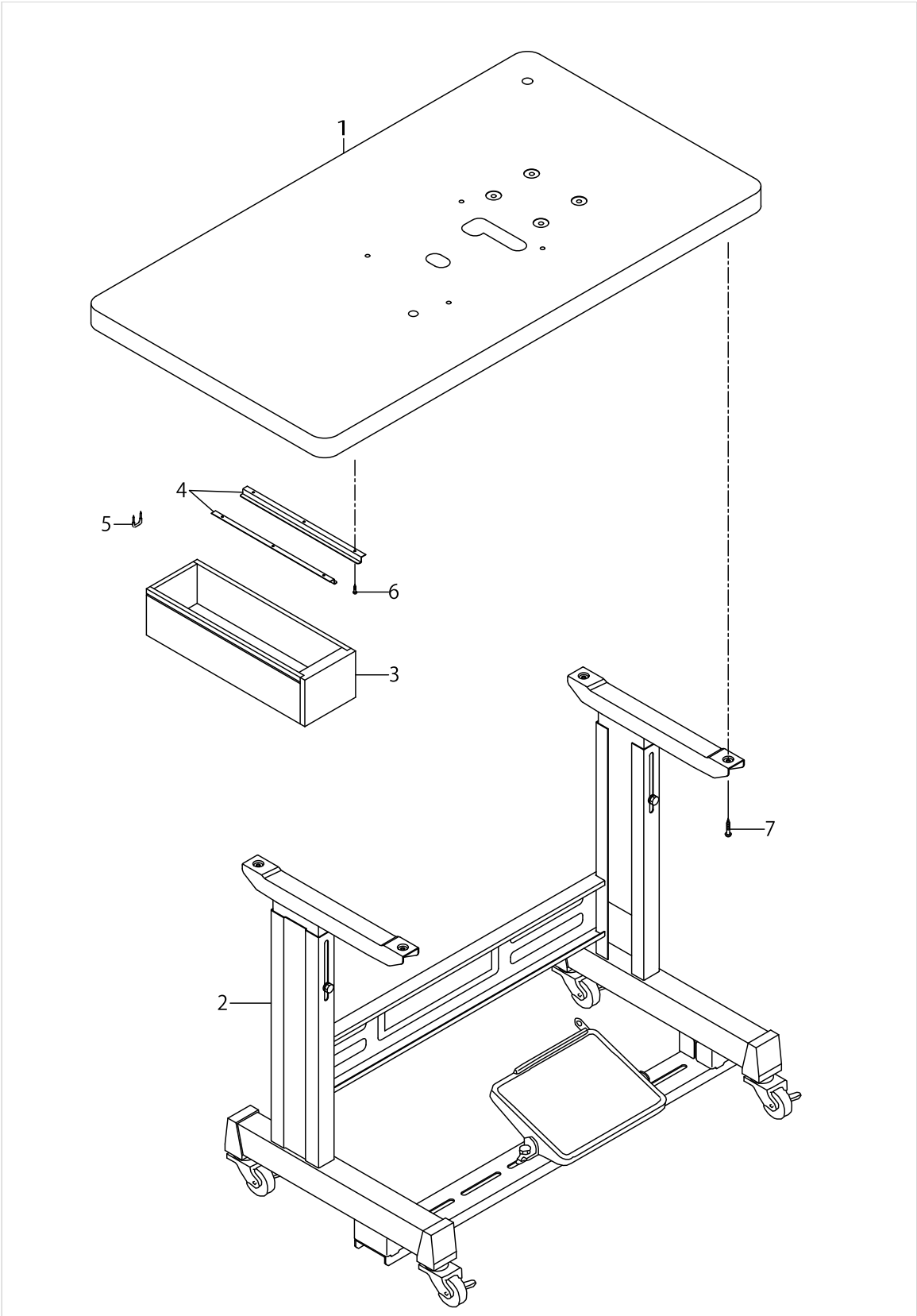
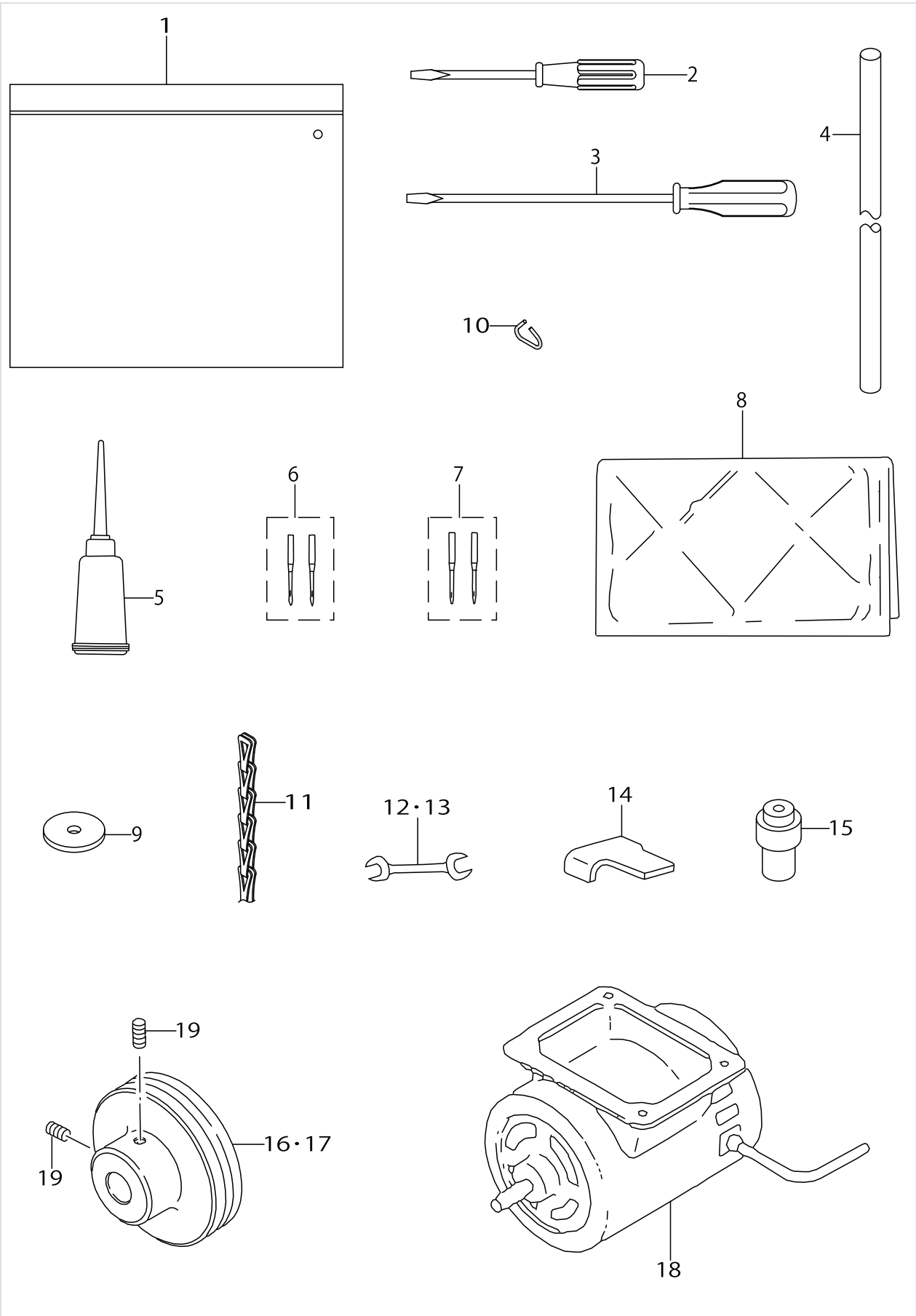


TABLE & STAND COMPONENTS

| No. | Supply Code | Parts No.    | Replacement | Parts name            | Remarks | Choice | Step | Level | Cons | Qty | Rep. QTY |
|-----|-------------|--------------|-------------|-----------------------|---------|--------|------|-------|------|-----|----------|
| 1   |             | B8201372A0AA |             | MOTOR TABLE           |         |        |      |       |      | 1   |          |
| 2   |             | 11159365     |             | T STAND JUNCTION      |         |        |      |       |      | 1   |          |
| 3   | R           | 11155108     | 11155157    | DRAWER                |         |        |      |       |      | 1   | 1.00     |
| 4   |             | 11155207     |             | DRAWER SUPPORT        |         |        |      |       |      | 2   |          |
| 5   |             | D8204555D00  |             | DRAWER STOPPER        |         |        |      |       |      | 1   |          |
| 6   |             | SK3311600SE  |             | WOOD SCREW D=3.1 L=16 |         |        |      |       |      | 6   |          |
| 7   |             | SK3483200SE  |             | WOOD SCREW D=4.8 L=32 |         |        |      |       |      | 4   |          |

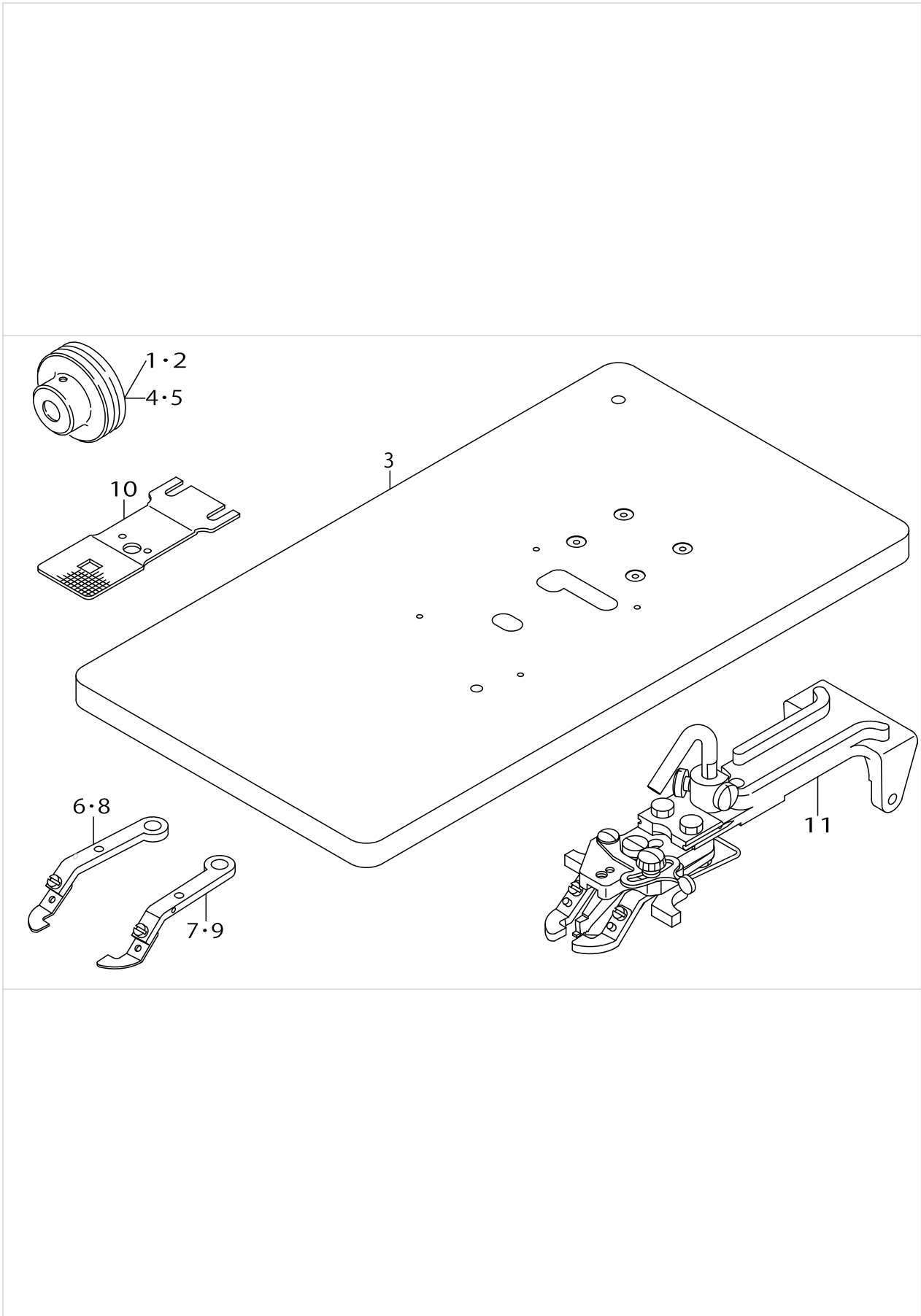
ACCESSORIE PARTS COMPONENTS



ACCESSORIE PARTS COMPONENTS

| No. | Supply Code | Parts No.   | Replacement | Parts name              | Remarks      | Choice | Step | Level | Cons | Qty | Rep. QTY |
|-----|-------------|-------------|-------------|-------------------------|--------------|--------|------|-------|------|-----|----------|
| 1   |             | 22932800    |             | ACCESSORIE BAG          |              |        |      |       |      | 1   |          |
| 2   |             | 22933105    |             | SCREW DRIVER,MIDDLE     |              |        |      |       |      | 1   |          |
| 3   |             | 22933006    |             | SCREW DRIVER,LARGE      |              |        |      |       |      | 1   |          |
| 4   |             | B7119372000 |             | ROUND BELT              |              |        |      |       |      | 1   |          |
| 5   |             | J1067000000 |             | OILER                   |              |        |      |       |      | 1   |          |
| 6   |             | MTQ700B1602 |             | NEEDLE TQX7 #16-2       | FOR MB-373NS |        |      |       |      | 1   |          |
| 7   |             | MTQ100B1602 |             | NEEDLE TQX1 #16-2       | FOR MB-377NS |        |      |       |      | 1   |          |
| 8   |             | 22933303    |             | VINYL COVER             |              |        |      |       |      | 1   |          |
| 9   |             | B1122372000 |             | RUBBER                  |              |        |      |       |      | 4   |          |
| 10  |             | B7125012000 |             | BELT HOOK               |              |        |      |       |      | 2   |          |
| 11  |             | 26037903    |             | CHAIN                   |              |        |      |       |      | 1   |          |
| 12  |             | 26034702    |             | WRENCH (11 X 14)        |              |        |      |       |      | 1   |          |
| 13  |             | B9143372000 |             | WRENCH (7.1 X 8.1)      |              |        |      |       |      | 1   |          |
| 14  |             | B2414373000 |             | GAUGE                   | FOR MB-373NS |        |      |       |      | 1   |          |
| 15  |             | 26038851    |             | CUSHION ASM.            |              |        |      |       |      | 1   |          |
| 16  | R           | 26035907    | B71023720A0 | MOTOR PULLEY (FOR 50HZ) |              |        |      |       |      | 1   | 1.00     |
| 17  | R           | B7103372000 | B71033720A0 | MOTOR PULLEY, FOR 60HZ  |              |        |      |       |      | 1   | 1.00     |
| 18  | D           | MTG4200020S |             | MOTOR ASM.              |              |        |      |       |      | 1   |          |
| 19  |             | SS8151150TP |             | SCREW 15/64-28 L=10.5   |              |        |      |       |      | 2   |          |

SPECIAL ORDER SPEC COMPONENTS

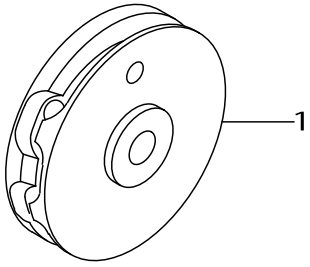
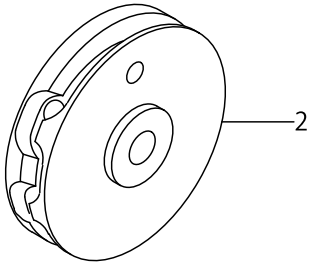
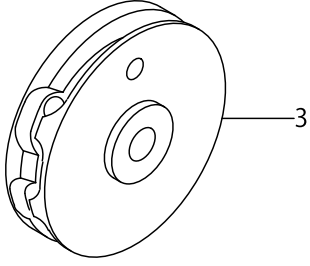
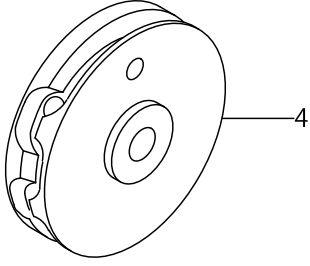


SPECIAL ORDER SPEC COMPONENTS

| No. | Supply Code | Parts No.    | Replacement | Parts name                          | Remarks | Choice | Step | Level | Cons | Qty | Rep. QTY |
|-----|-------------|--------------|-------------|-------------------------------------|---------|--------|------|-------|------|-----|----------|
| 1   |             | B710237200J  |             | MOTOR PULLEY (J)                    |         |        |      |       |      | 1   |          |
| 2   |             | B710137200J  |             | MOTOR PULLEY (J)                    |         |        |      |       |      | 1   |          |
| 3   |             | B8201372A00A |             | TABLE                               |         |        |      |       |      | 1   |          |
| 4   |             | B710237200H  |             | MOTOR PULLEY                        |         |        |      |       |      | 1   |          |
| 5   | D           | B710137200H  |             | MOTOR PULLEY                        |         |        |      |       |      | 1   |          |
| 6   |             | B25563720AA  |             | BUTTON CLAMP JA-<br>W LEVER ASM., L |         |        |      |       |      | 1   |          |
| 7   |             | B25583720AA  |             | BUTTON CLAMP JA-<br>W LEVER ASM., R |         |        |      |       |      | 1   |          |
| 8   |             | D2556372CAA  |             | BUTTON CLAMP JA-<br>W LEVER ASM., L |         |        |      |       |      | 1   |          |
| 9   |             | D2558372CAA  |             | BUTTON CLAMP JA-<br>W LEVER ASM., R |         |        |      |       |      | 1   |          |
| 10  |             | D2529373C00A |             | FEED PLATE, LARGE BUTTON            |         |        |      |       |      | 1   |          |
| 11  |             | MAZ201010A0  |             | PICK-UP DEVICE ASM. L BUTTON        |         |        |      |       |      | 1   |          |



SUBCLASS COMPONENTS

|  |   |
|--|---|
| <p>(1)MB-373NS-10</p>  <p>1</p>  | <p>(2)MB-373NS-11</p>  <p>2</p>  |
| <p>(3)MB-377NS-10</p>  <p>3</p> | <p>(4)MB-377NS-11</p>  <p>4</p> |

SUBCLASS COMPONENTS

| No. | Supply Code | Parts No.    | Replacement | Parts name          | Remarks      | Choice | Step | Level | Cons | Qty | Rep. QTY |
|-----|-------------|--------------|-------------|---------------------|--------------|--------|------|-------|------|-----|----------|
| 1   |             | B2505373C00A |             | CROSSWISE FEED CAM  |              |        |      |       |      | 1   |          |
| 2   |             | D2506373L00A |             | LENGTHWISE FEED CAM |              |        |      |       |      | 1   |          |
| 3   |             | B2505373C00A |             | CROSSWISE FEED CAM  |              |        |      |       |      | 1   |          |
| 4   |             | B2506377L00A |             | LENGTHWISE FEED CAM | FOR MB-377NS |        |      |       |      | 1   |          |

LIST FOR INFORMATION OF CHANGE (1)

As to the place changed, refer to the corresponding Rev.No.  
 When previous parts(Obsoleted part)and new parts(Added parts)are  
 not interchangeable with each other:  
 In this case,even obsoleted parts(D.)can be ordered with the  
 obsoleted part number,so select the parts with changed dates and  
 place your orders.

変更箇所は、該当Rev.No.版をご参照ください。  
 部品の互換性がない変更の場合は、削除された品番でも、ご注文できます。

29353703  
 No.1327-02 Rev.No.

\*A:Added parts追加部品/D:Obsoleted parts削除部品/E:Erratum訂正

| * Rev. No. | Page 頁 | Ref. No. | Parts No. 品番  | * Rev. No. | Page 頁 | Ref. No. | Parts No. 品番  |
|------------|--------|----------|---------------|------------|--------|----------|---------------|
| D 01       | 2      | 1        | B2547-372-0BA | A 02       | 2      | 1        | 260-25452     |
| D 01       | 2      | 2        | B2547-377-0A0 | A 02       | 2      | 2        | 260-26856     |
| D 01       | 2      | 3        | B2546-372-000 | A 02       | 2      | 3        | 260-25601     |
| D 01       | 2      | 7        | B2542-372-00A | A 02       | 2      | 7        | 260-25502     |
| D 01       | 2      | 10       | B2547-372-000 | A 02       | 2      | 10       | 260-25403     |
| D 01       | 2      | 12       | B2549-372-000 | A 02       | 2      | 12       | 260-25809     |
| D 01       | 2      | 13       | B2548-372-000 | A 02       | 2      | 13       | 260-25700     |
| D 01       | 2      | 14       | B2553-372-000 | A 02       | 2      | 14       | 260-26005     |
| D 01       | 2      | 15       | B2552-372-000 | A 02       | 2      | 15       | 260-25908     |
| D 01       | 2      | 17       | B2555-372-000 | A 02       | 2      | 17       | 260-26104     |
| D 01       | 2      | 18       | B2556-372-000 | A 02       | 2      | 18       | 260-26203     |
| D 01       | 2      | 22       | B2557-372-000 | A 02       | 2      | 22       | 260-26302     |
| D 01       | 2      | 23       | B2558-372-000 | A 02       | 2      | 23       | 260-26401     |
| D 01       | 2      | 26       | B2560-372-000 | A 02       | 2      | 26       | 260-26609     |
| D 01       | 2      | 28       | B2561-372-000 | A 02       | 2      | 28       | 260-26708     |
| D 01       | 2      | 30       | B2546-377-000 | A 02       | 2      | 30       | 260-26807     |
| D 01       | 2      | 31       | B2540-372-000 | A 02       | 2      | 31       | 260-25205     |
| D 01       | 2      | 36       | B2545-372-000 | A 02       | 2      | 36       | 260-27102     |
| D 01       | 4      | 3        | B3149-123-A00 | A 02       | 4      | 3        | 260-21600     |
| D 01       | 4      | 10       | B3108-372-000 | A 02       | 4      | 10       | 260-31203     |
| D 01       | 4      | 11       | B3109-377-0A0 | A 02       | 4      | 11       | 260-31351     |
| D 01       | 4      | 45       | B1103-372-000 | A 02       | 4      | 45       | 260-10504     |
| D 01       | 4      | 51       | B3120-372-000 | A 02       | 4      | 51       | 260-37200     |
| D 01       | 4      | 55       | 139-43204     | A 02       | 4      | 55       | 260-37408     |
| D 01       | 4      | 57       | B3121-372-000 | A 02       | 4      | 57       | 260-37309     |
| D 01       | 4      | 58       | B3115-372-000 | A 02       | 4      | 58       | 260-37101     |
|            |        |          |               | A 02       | 4      | 62       | 260-31104     |
| D 01       | 6      | 5        | B1242-373-000 | A 02       | 6      | 5        | 260-15206     |
| D 01       | 6      | 9        | B1237-373-000 | A 02       | 6      | 9        | 260-13805     |
| D 01       | 6      | 19       | SS-8151150-SP | A 02       | 6      | 19       | SS-8151150-TP |
| D 01       | 6      | 28       | B1234-372-000 | A 02       | 6      | 28       | 260-03103     |
| D 01       | 6      | 30       | B1233-372-000 | A 02       | 6      | 30       | 260-15503     |
| D 01       | 6      | 35       | SS-8151150-SP | A 02       | 6      | 35       | SS-8151150-TP |
| D 01       | 6      | 43       | B1222-372-000 | A 02       | 6      | 43       | 260-13102     |
| D 01       | 6      | 47       | CS-0790721-TH | A 02       | 6      | 47       | CS-079072A-TH |
| D 01       | 8      | 5        | B2035-372-000 | A 02       | 8      | 5        | 260-20602     |

## LIST FOR INFORMATION OF CHANGE (2)

| * Rev. No. | Page 頁 | Ref. No. | Parts No. 品番    | * Rev. No. | Page 頁 | Ref. No. | Parts No. 品番  |
|------------|--------|----------|-----------------|------------|--------|----------|---------------|
| D 01       | 8      | 8        | B2037-372-000   | A 02       | 8      | 8        | 260-20800     |
| D 01       | 8      | 12       | B2028-372-000   | A 02       | 8      | 12       | 260-20305     |
| D 01       | 8      | 15       | SD-0790802-SP   | A 02       | 8      | 15       | SD-0790802-TP |
| D 01       | 8      | 17       | B2024-372-000-A | A 02       | 8      | 17       | 260-20206     |
| D 01       | 8      | 18       | B2012-372-000   | A 02       | 8      | 18       | 260-19406     |
| D 01       | 8      | 21       | B2011-372-000   | A 02       | 8      | 21       | 260-19307     |
| D 01       | 8      | 22       | B2010-377-000   | A 02       | 8      | 22       | 260-19208     |
| D 01       | 8      | 43       | B2014-372-000-A | A 02       | 8      | 43       | 260-19505     |
| D 01       | 8      | 47       | B2005-372-000   | A 02       | 8      | 47       | 260-01800     |
| D 01       | 8      | 52       | B2008-372-000   | A 02       | 8      | 52       | 260-19000     |
| D 01       | 8      | 57       | B2715-377-000   | A 02       | 8      | 57       | 260-21105     |
| D 01       | 8      | 58       | B2716-377-000   | A 02       | 8      | 58       | 260-21204     |
| D 01       | 8      | 60       | B2040-373-000   | A 02       | 8      | 60       | 260-21501     |
|            |        |          |                 | A 02       | 8      | 63       | SM-9061403-CP |
|            |        |          |                 | A 02       | 8      | 64       | NM-6060001-SE |
| D 01       | 10     | 5        | B2524-372-000   | A 02       | 10     | 5        | 260-24604     |
| D 01       | 10     | 6        | B2525-373-N00   | A 02       | 10     | 6        | 260-24901     |
| D 01       | 10     | 7        | B2526-372-000   | A 02       | 10     | 7        | 260-24703     |
| D 01       | 10     | 9        | B2518-372-000-A | A 02       | 10     | 9        | 260-24109     |
| D 01       | 10     | 11       | B2521-372-000   | A 02       | 10     | 11       | 260-24307     |
| D 01       | 10     | 12       | B2519-372-000   | A 02       | 10     | 12       | 260-24208     |
| D 01       | 10     | 13       | B2528-372-000-A | A 02       | 10     | 13       | 260-24802     |
| D 01       | 10     | 17       | B2515-372-000   | A 02       | 10     | 17       | 260-24000     |
| D 01       | 10     | 19       | B2507-372-000   | A 02       | 10     | 19       | 260-23200     |
| D 01       | 10     | 22       | B2508-372-000   | A 02       | 10     | 22       | 260-23309     |
| D 01       | 10     | 26       | B2564-372-000   | A 02       | 10     | 26       | 260-27300     |
| D 01       | 10     | 30       | B2503-372-000   | A 02       | 10     | 30       | 260-22509     |
| D 01       | 10     | 32       | B2519-372-000   | A 02       | 10     | 31       | 260-24208     |
| D 01       | 10     | 35       | B2501-372-000-A | A 02       | 10     | 35       | 260-04101     |
| D 01       | 10     | 38       | B2502-372-000   | A 02       | 10     | 38       | 260-22400     |
| D 01       | 10     | 39       | B2509-372-000-A | A 02       | 10     | 39       | 260-23408     |
|            |        |          |                 | A 02       | 10     | 41       | WP-0501016-SD |
| D 01       | 12     | 2        | B1407-372-000   | A 02       | 12     | 2        | 260-18101     |
| D 01       | 12     | 3        | B1408-372-000   | A 02       | 12     | 3        | 260-18200     |
| D 01       | 12     | 6        | B4419-372-000   | A 02       | 12     | 6        | 260-33407     |
| D 01       | 12     | 7        | B4418-372-000   | A 02       | 12     | 7        | 260-33308     |
| D 01       | 12     | 18       | SS-8151150-SP   | A 02       | 12     | 18       | SS-8151150-TP |
| D 01       | 12     | 25       | WP-0480856-SP   | A 02       | 12     | 25       | WP-0371026-SD |
| D 01       | 12     | 36       | B2403-373-000-A | A 02       | 12     | 36       | 260-21808     |
| D 01       | 12     | 44       | B2405-373-000   | A 02       | 12     | 44       | 260-22004     |
| D 01       | 12     | 46       | B2401-373-000   | A 02       | 12     | 46       | 260-21709     |
|            |        |          |                 | A 02       | 12     | 52       | NS-6090310-SP |
|            |        |          |                 | A 02       | 12     | 53       | WP-0330501-SB |
|            |        |          |                 | A 02       | 12     | 54       | SM-6030402-TP |
| D 01       | 13     | 7        | B1201-373-000   | A 02       | 13     | 7        | 260-03004     |
| D 01       | 13     | 10       | B1207-372-000   | A 02       | 13     | 10       | 260-12708     |
| D 01       | 13     | 26       | B1223-372-000   | A 02       | 13     | 26       | 260-13201     |



## HOW TO MAKE USE OF THIS PARTS LIST

### 1.Explanation of codes

1)"\*"mark.....means this part is changed from the previous parts book.

As to the details of the change, refer to the "List for information of change".

2)"#01".....refer to "Note" explanation at bottom of page.

### 2.Codes on the "Qty" column

• Each numeral indicates the number of parts required.

• "0.1" and "2.5" indicate the length (in meters) of the respective parts.

3.Parentheses mean that the corresponding part is a subpart that constructs an assembly part.

4.Dotted lines on the Figures indicate assembly parts.

### 1."注記"欄の記号説明

1) "\*"印.....前回のパーツブックに比較して今回変更された部品を意味します。

変更内容は、"変更情報リスト"を参照してください。

2) "#01".....ページ下の"注記"の説明を参照してください。

2.数量欄の数字は、個数を表し、0.1、2.5等の数値は、長さ（単位メートル）を表します。

3.数量欄の（ ）は、組部品を構成している子部品であることを意味します。

4.イラストページの-----枠は、組構成であることを意味します。

# NUMERICAL INDEX OF PARTS

| PART NO  | PAGE | REF NO. | PART NO  | PAGE | REF NO. | PART NO  | PAGE | REF NO. |
|----------|------|---------|----------|------|---------|----------|------|---------|
| 10004109 | 4    | 19      | 26011502 | 4    | 41      | 26021105 | 14   | 57      |
| 11155108 | 34   | 3       | 26011601 | 4    | 34      | 26021204 | 14   | 58      |
| 11155207 | 34   | 4       | 26011700 | 4    | 43      | 26021402 | 12   | 44      |
| 11159365 | 34   | 2       | 26011809 | 4    | 35      | 26021501 | 14   | 60      |
| 13737507 | 6    | 61      | 26011908 | 4    | 26      | 26021600 | 4    | 3       |
| 17848458 | 4    | 29      | 26012005 | 4    | 22      | 26021709 | 20   | 46      |
| 22921407 | 12   | 27      | 26012104 | 4    | 20      | 26021808 | 18   | 36      |
| 22930309 | 32   | 3       | 26012401 | 22   | 2       | 26022004 | 20   | 44      |
| 22930408 | 32   | 2       | 26012708 | 22   | 10      | 26022202 | 18   | 30      |
| 22930903 | 32   | 9       | 26013003 | 8    | 36      | 26022400 | 16   | 38      |
| 22931000 | 32   | 8       | 26013102 | 8    | 43      | 26022509 | 16   | 30      |
| 22931109 | 32   | 10      | 26013201 | 22   | 26      | 26022608 | 4    | 30-31   |
| 22931208 | 32   | 22      | 26013805 | 8    | 9       | 26022707 | 4    | 30-31   |
| 22931307 | 32   | 6       | 26015206 | 8    | 5       | 26023200 | 16   | 19      |
| 22931406 | 32   | 7       | 26015305 | 8    | 34      | 26023309 | 16   | 22      |
| 22932800 | 36   | 1       | 26015503 | 8    | 30      | 26023408 | 16   | 39      |
| 22933006 | 36   | 3       | 26016501 | 30   | 4       | 26024000 | 16   | 17      |
| 22933105 | 36   | 2       | 26016600 | 30   | 2       | 26024109 | 16   | 9       |
| 22933303 | 36   | 8       | 26016709 | 30   | 1       | 26024208 | 16   | 31      |
| 26000455 | 12   | 16      | 26016808 | 30   | 9       | 26024307 | 16   | 11      |
| 26000653 | 18   | 27      | 26017301 | 30   | 18      | 26024604 | 16   | 5       |
| 26000950 | 12   | 6       | 26017400 | 30   | 15      | 26024703 | 16   | 7       |
| 26001164 | 4    | 5       | 26017509 | 24   | 5       | 26024802 | 16   | 13      |
| 26001305 | 4    | 7       | 26017707 | 24   | 6       | 26024901 | 16   | 6       |
| 26001404 | 4    | 6       | 26017806 | 24   | 11      | 26025106 | 16   | 24      |
| 26001560 | 12   | 14      | 26017905 | 24   | 12      | 26025205 | 2    | 31      |
| 26001800 | 14   | 47      | 26018002 | 24   | 13      | 26025403 | 2    | 10      |
| 26001909 | 12   | 23      | 26018101 | 18   | 2       | 26025452 | 2    | 1-2     |
| 26002006 | 20   | 41      | 26018200 | 18   | 3       | 26025502 | 2    | 7       |
| 26002907 | 26   | 3       | 26018408 | 24   | 21      | 26025601 | 2    | 3-30    |
| 26003004 | 22   | 7       | 26018507 | 24   | 22      | 26025700 | 2    | 13      |
| 26003103 | 8    | 28      | 26018606 | 24   | 20      | 26025809 | 2    | 12      |
| 26003301 | 18   | 12      | 26018705 | 24   | 17      | 26025908 | 2    | 15      |
| 26003608 | 6    | 49      | 26019000 | 14   | 52      | 26026005 | 2    | 14      |
| 26004101 | 16   | 35      | 26019109 | 12   | 37      | 26026104 | 2    | 17      |
| 26005157 | 12   | 38      | 26019208 | 12   | 22      | 26026203 | 2    | 18      |
| 26008300 | 32   | 4       | 26019307 | 12   | 21      | 26026302 | 2    | 22      |
| 26008359 | 32   | 1       | 26019406 | 12   | 18      | 26026401 | 2    | 23      |
| 26008409 | 32   | 5       | 26019505 | 12   | 43      | 26026609 | 2    | 26      |
| 26008557 | 32   | 13      | 26019604 | 14   | 55      | 26026708 | 2    | 28      |
| 26010504 | 4    | 45      | 26020206 | 12   | 17      | 26026807 | 2    | 3-30    |
| 26010603 | 4    | 27      | 26020305 | 12   | 12      | 26026856 | 2    | 1-2     |
| 26011205 | 4    | 25      | 26020602 | 12   | 5       | 26026906 | 2    | 34      |
| 26011304 | 4    | 42      | 26020701 | 12   | 9       | 26027003 | 2    | 35      |
| 26011403 | 6    | 48      | 26020800 | 12   | 8       | 26027102 | 2    | 36      |

# NUMERICAL INDEX OF PARTS

| PART NO  | PAGE | REF NO. | PART NO      | PAGE | REF NO. | PART NO      | PAGE | REF NO. |
|----------|------|---------|--------------|------|---------|--------------|------|---------|
| 26027300 | 16   | 26      | 26037903     | 36   | 11      | B2017372000  | 12   | 40      |
| 26027409 | 2    | 38      | 26038752     | 4    | 1       | B2019372000  | 12   | 31      |
| 26027508 | 26   | 10·11   | 26038851     | 36   | 15      | B20193720AA  | 12   | 25      |
| 26027706 | 26   | 12      | B1104372A00  | 4    | 38·39   | B2020372000  | 12   | 32      |
| 26027805 | 26   | 1       | B1104372B00  | 4    | 38·39   | B2021372000  | 12   | 28      |
| 26027904 | 26   | 6       | B1122372000  | 36   | 9       | B2029372000  | 12   | 11      |
| 26028001 | 26   | 25      | B1161227000  | 16   | 36      | B2034372000  | 12   | 7       |
| 26028100 | 26   | 26      | B1202372000  | 22   | 5       | B2038372000  | 14   | 62      |
| 26028209 | 26   | 27      | B1203372000  | 22   | 1       | B2404373R00  | 18   | 29      |
| 26028506 | 26   | 17      | B1205372000  | 22   | 4       | B24063730A0  | 8    | 26      |
| 26028803 | 28   | 14      | B1206372000  | 22   | 9       | B2410373000  | 8    | 24      |
| 26029009 | 26   | 10·11   | B1208372000  | 22   | 13      | B2412373000  | 18   | 34      |
| 26029207 | 28   | 41      | B12103720A0  | 22   | 14      | B2414373000  | 36   | 14      |
| 26029306 | 28   | 27      | B1211372000  | 22   | 15      | B2505373000A | 16   | 37      |
| 26029801 | 28   | 33      | B1212372000  | 22   | 16      | B2505373C00A | 40   | 3       |
| 26029900 | 28   | 5       | B1213372000  | 22   | 17      | B2506373000A | 16   | 1       |
| 26030106 | 28   | 10      | B1215372A00  | 8    | 42      | B2506377L00A | 40   | 4       |
| 26030601 | 26   | 8       | B1215372B00  | 22   | 23      | B2510372000A | 16   | 34      |
| 26030700 | 28   | 34      | B1216372000  | 22   | 25      | B25113720A0  | 16   | 20      |
| 26030809 | 28   | 35      | B12173720A0  | 22   | 27      | B2512372000  | 16   | 21      |
| 26030908 | 28   | 6       | B1220372000  | 8    | 2       | B2513372000  | 16   | 15      |
| 26031005 | 28   | 7       | B1221372000  | 10   | 44      | B2522373000A | 16   | 29      |
| 26031104 | 6    | 62      | B12243720A0  | 8    | 40      | B2523372000  | 16   | 33      |
| 26031203 | 4    | 10      | B1228372000  | 8    | 32      | B2529373000  | 16   | 2       |
| 26031302 | 4    | 12      | B12303720A0  | 8    | 10      | B2541372000  | 2    | 32      |
| 26031351 | 4    | 11      | B1232372000  | 8    | 12      | B25473720C0  | 2    | 8       |
| 26031401 | 4    | 13      | B1235373000  | 8    | 8       | B25553720A0  | 2    | 16      |
| 26031500 | 4    | 14      | B1236373000  | 8    | 6       | B25563720AA  | 38   | 6·8     |
| 26031609 | 4    | 15      | B1239372000  | 10   | 46      | B25573720A0  | 2    | 21      |
| 26031708 | 4    | 16      | B1241373000  | 8    | 14      | B25583720AA  | 38   | 7·9     |
| 26031807 | 24   | 7       | B12413730B0  | 8    | 13      | B2559372000  | 2    | 24      |
| 26031906 | 24   | 8       | B12413770A0  | 8    | 21      | B2563372000  | 16   | 25      |
| 26032003 | 4    | 4       | B12413770B0  | 8    | 20      | B2602372000A | 26   | 5       |
| 26032300 | 18   | 17      | B1243372000  | 22   | 8       | B2608280000  | 26   | 7       |
| 26032607 | 18   | 10      | B1246372000  | 22   | 3       | B2611372000  | 26   | 28      |
| 26033308 | 18   | 7       | B1402372000  | 24   | 10      | B2612372000  | 26   | 21      |
| 26033407 | 18   | 6       | B1409372000B | 24   | 14      | B2614372000  | 26   | 20      |
| 26033605 | 20   | 51      | B1419372000  | 24   | 25      | B2616372000  | 26   | 23      |
| 26033704 | 4    | 24      | B1421372000  | 12   | 2       | B26183720A0B | 28   | 15      |
| 26034702 | 36   | 12·13   | B14243720A0  | 24   | 18      | B2618377000  | 28   | 39      |
| 26035907 | 36   | 16·17   | B1632180000  | 18   | 31      | B26213720B0  | 28   | 17      |
| 26037101 | 6    | 58      | B2006372000  | 14   | 48      | B26213770A0  | 28   | 43      |
| 26037200 | 6    | 51      | B2007372000  | 14   | 53      | B26213770B0  | 28   | 42      |
| 26037309 | 6    | 57      | B2015372000  | 12   | 42      | B2623372000  | 28   | 20      |
| 26037408 | 6    | 55      | B2016372000  | 12   | 41      | B2624372000  | 28   | 21      |



NUMERICAL INDEX OF PARTS

| PART NO      | PAGE | REF NO. | PART NO      | PAGE | REF NO. | PART NO     | PAGE | REF NO. |
|--------------|------|---------|--------------|------|---------|-------------|------|---------|
| B2625372000  | 28   | 22      | D2506373L00A | 40   | 2       | SD0481451SP | 28   | 24      |
| B2626372000  | 28   | 23      | D2509282A00  | 30   | 8       | SD0550181SP | 2    | 11      |
| B2629372000  | 28   | 26      | D2529373B00A | 16   | 40      | SD0550301SP | 2    | 9       |
| B2630372000A | 28   | 29      | D2529373C00A | 38   | 10      | SD0600095TH | 8    | 27      |
| B2631372000  | 28   | 30      | D2556372CAA  | 38   | 6·8     | SD0600271SP | 4    | 40      |
| B2632372000A | 28   | 31      | D2558372CAA  | 38   | 7·9     | SD0600361SP | 28   | 44      |
| B2638372000A | 28   | 3       | D8204555D00  | 34   | 5       | SD0601021SP | 6    | 54      |
| B2640372000  | 28   | 11      | J1067000000  | 36   | 5       | SD0640211SP | 18   | 23      |
| B2642372000  | 28   | 32      | MAZ201010A0  | 38   | 11      | SD0640241SP | 8    | 11      |
| B2643372000  | 28   | 2       | MTG4200020S  | 36   | 18      | SD0640321SP | 30   | 3       |
| B2702377000  | 8    | 23      | MTQ100B1600  | 24   | 1·26    | SD0640323TP | 18   | 37      |
| B27033770A0  | 8    | 22      | MTQ100B1602  | 36   | 7       | SD0640391TP | 2    | 27      |
| B27093770A0  | 30   | 13      | MTQ700B1600  | 24   | 1·26    | SD0640481SP | 16   | 32      |
| B2711377000  | 30   | 16      | MTQ700B1602  | 36   | 6       | SD0640481SP | 18   | 22      |
| B3114232000  | 14   | 56      | MTQ700B1800  | 24   | 2·3     | SD0640961SP | 16   | 16      |
| B31153720A0  | 6    | 50      | MTQ700B2000  | 24   | 2·3     | SD0641322TP | 20   | 47      |
| B3116125000  | 12   | 26      | NM6050001SE  | 32   | 16      | SD0680271SP | 26   | 15      |
| B3125012000  | 12   | 39      | NM6050001SP  | 18   | 33      | SD0710701SH | 28   | 8·9     |
| B3132012000  | 12   | 29      | NM6060001SE  | 14   | 64      | SD0720331SP | 30   | 7       |
| B3211232000  | 28   | 12      | NM6160511SE  | 32   | 12      | SD0790311TP | 20   | 42      |
| B35033720A0A | 4    | 33      | NS6080210SP  | 12   | 4       | SD0790402TP | 18   | 38      |
| B4401372000  | 18   | 14      | NS6080340SP  | 12   | 45      | SD0790431SP | 28   | 25      |
| B4406372000C | 18   | 20      | NS6090310SP  | 20   | 52      | SD0790802TP | 12   | 15      |
| B4408372000  | 18   | 19      | NS6110310SP  | 6    | 60      | SD0791051SP | 16   | 27      |
| B4411372000  | 18   | 9       | NS6110310SP  | 28   | 13      | SD0791271SP | 12   | 3       |
| B4412373000A | 18   | 1       | NS6110310SP  | 30   | 20      | SD0791331SP | 28   | 8·9     |
| B44163770A0  | 20   | 48      | NS6110420SP  | 20   | 43      | SD0791503SP | 12   | 13      |
| B4417372000  | 18   | 26      | NS6120630SP  | 16   | 14      | SD0800341SP | 28   | 38      |
| B4420373000  | 20   | 50      | NS6150310SP  | 18   | 40      | SD0801021TP | 30   | 17      |
| B710137200H  | 38   | 4·5     | NS6150310SP  | 26   | 18      | SD0950806SH | 24   | 16      |
| B710137200J  | 38   | 1·2     | NS6150430SP  | 2    | 33      | SD1127321SP | 28   | 1       |
| B710237200H  | 38   | 4·5     | NS6150430SP  | 22   | 22      | SK3311600SE | 34   | 6       |
| B710237200J  | 38   | 1·2     | NS6160520SP  | 12   | 33      | SK3483200SE | 34   | 7       |
| B7103372000  | 36   | 16·17   | NS6160520SP  | 16   | 8       | SM4051405SE | 32   | 14      |
| B7119372000  | 36   | 4       | NS6620310SP  | 18   | 39      | SM6030402TP | 20   | 54      |
| B7125012000  | 36   | 10      | NS6660511SP  | 2    | 37      | SM6061002TP | 18   | 28      |
| B8133019000  | 26   | 24      | NS6680410SP  | 18   | 35      | SM6061602TN | 28   | 40      |
| B8201372A00A | 38   | 3       | NS6680410SP  | 26   | 9       | SM6082502TP | 28   | 16      |
| B8201372A0AA | 34   | 1       | PS0200062KH  | 6    | 59      | SM6083042CH | 4    | 23      |
| B9143372000  | 36   | 12·13   | PS0300162KH  | 12   | 34      | SM9050813SE | 32   | 18      |
| CM3002001B1  | 4    | 21      | RC0560711KP  | 30   | 11      | SM9061003CP | 26   | 19      |
| CM500200001  | 22   | 29      | RE0300000K0  | 4    | 8       | SM9061080SE | 32   | 17      |
| CS079072ATH  | 10   | 47      | RE0320000K0  | 4    | 17      | SM9061403CP | 14   | 63      |
| CS0950816SH  | 18   | 15      | SD0402001TP  | 12   | 10      | SM9061403CP | 24   | 15      |
| CS1111019SH  | 8    | 37      | SD0460571CP  | 30   | 19      | SS1110710SP | 8    | 7       |

## NUMERICAL INDEX OF PARTS

| PART NO     | PAGE | REF NO. | PART NO     | PAGE | REF NO. |
|-------------|------|---------|-------------|------|---------|
| SS2110920TP | 8    | 1       | SS8152030SP | 16   | 23      |
| SS2110920TP | 24   | 19      | SS8660512TP | 8    | 39      |
| SS4090415SP | 14   | 61      | SS8660612TP | 8    | 41      |
| SS4090615SP | 16   | 18      | SS8660612TP | 18   | 13      |
| SS4110715SP | 6    | 52      | SS8660612TP | 22   | 28      |
| SS4110815SP | 4    | 37      | SS8660612TP | 24   | 23      |
| SS4120615SP | 16   | 28      | SS8660942TP | 24   | 24      |
| SS4120915SP | 4    | 18      | SS8681412TP | 16   | 3       |
| SS4150915SP | 12   | 46      | SS8701042TP | 22   | 19      |
| SS4150915SP | 14   | 46      | SS8701782TP | 22   | 20      |
| SS6090560TP | 28   | 36      | SS9120643TP | 16   | 4       |
| SS6091210TP | 24   | 9       | SS9150860SP | 26   | 22      |
| SS6120930TP | 12   | 35      | SS9621413SP | 2    | 5       |
| SS6121050SP | 14   | 51      | WP0330501SB | 20   | 53      |
| SS6121610TP | 14   | 50      | WP0371016SD | 14   | 54      |
| SS6121610TP | 18   | 21      | WP0371026SD | 18   | 25      |
| SS6151040SP | 26   | 4       | WP0430800SD | 30   | 5       |
| SS6152440SP | 22   | 11      | WP0450801SD | 6    | 53      |
| SS6660712TP | 10   | 45      | WP0480856SP | 14   | 49      |
| SS7080310SP | 8    | 25      | WP0501016SD | 2    | 6       |
| SS7080510TP | 24   | 4       | WP0501016SD | 12   | 36      |
| SS7090410SP | 2    | 25      | WP0501016SD | 16   | 41      |
| SS7090540TP | 14   | 59      | WP0510516SD | 18   | 32      |
| SS7090540TP | 30   | 6       | WP0520656SA | 32   | 19      |
| SS7090620TP | 10   | 48      | WP0621026SP | 22   | 12      |
| SS7110340SP | 4    | 9       | WP0621026SP | 30   | 10      |
| SS7110840SP | 4    | 32      | WP0703516SP | 18   | 24      |
| SS7110840SP | 8    | 4       | WP0704016SP | 18   | 8       |
| SS7110840SP | 28   | 37      | WP0704516SP | 20   | 49      |
| SS7111410TP | 20   | 45      | WP0740516SP | 6    | 56      |
| SS7120640SP | 4    | 36      | WP0751576SD | 18   | 4       |
| SS7150940SP | 2    | 29      | WP0850002SP | 28   | 4       |
| SS8110310SP | 8    | 33      | WP0851846SC | 18   | 5       |
| SS8110410TP | 8    | 29      | WP1612616SE | 32   | 11      |
| SS8110410TP | 18   | 16      | WS0510002KN | 32   | 20      |
| SS8110750SP | 22   | 6       | WS0521010KN | 32   | 21      |
| SS8150410TP | 8    | 31      | WS0650389KP | 6    | 47      |
| SS8150710TP | 4    | 46      | WS0651310KP | 22   | 21      |
| SS8150912TH | 28   | 18      |             |      |         |
| SS8151150SP | 22   | 24      |             |      |         |
| SS8151150TP | 8    | 35      |             |      |         |
| SS8151150TP | 18   | 18      |             |      |         |
| SS8151150TP | 28   | 28      |             |      |         |
| SS8151150TP | 36   | 19      |             |      |         |
| SS8151570SP | 26   | 13      |             |      |         |