

MODEL : LU-1508N/LU-1508NH

List No : 1337-07

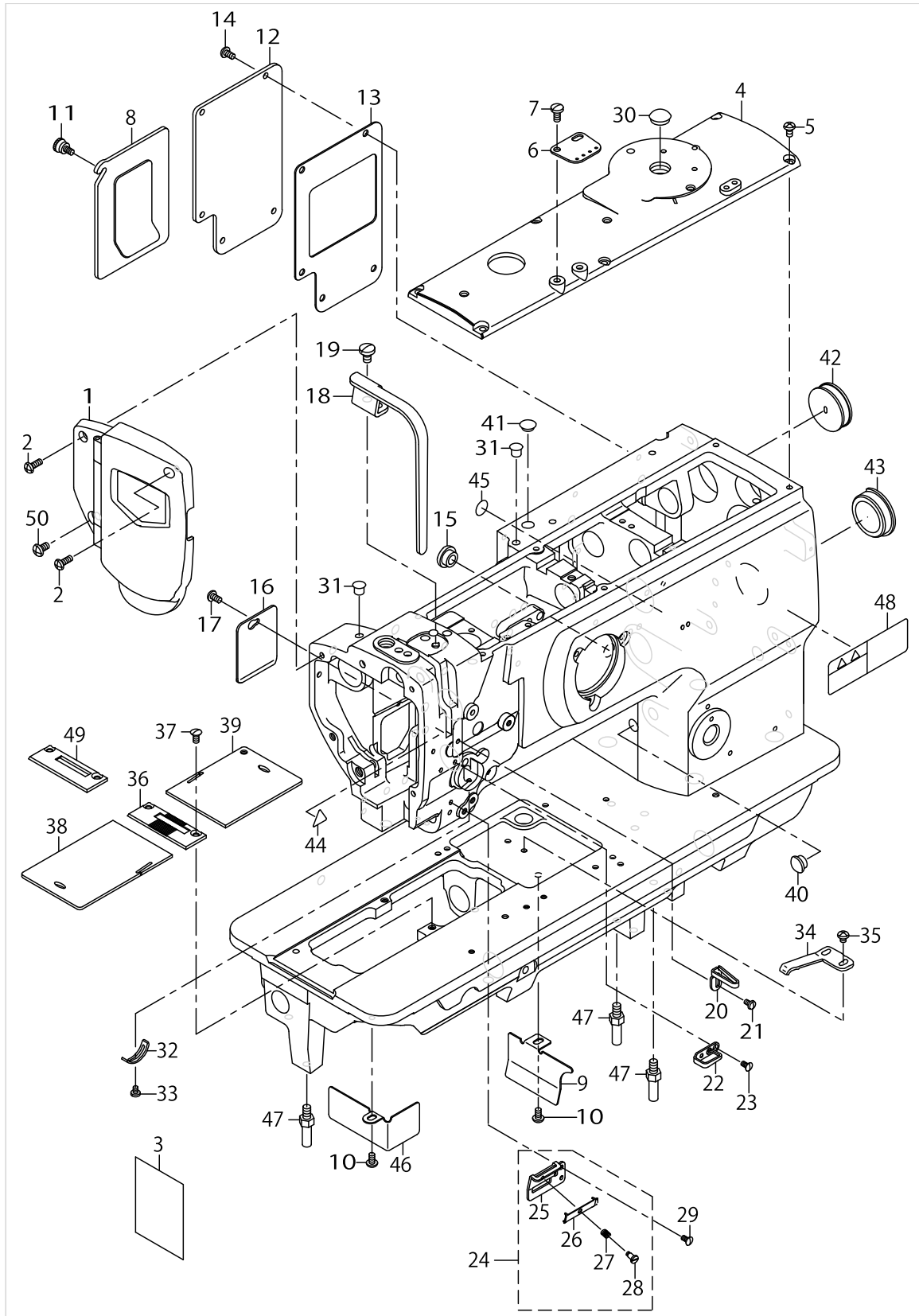
PARTS LIST

Published:05/12/2017

CONTENTS

FRAME & MISCELLANEOUS COVER COMPONENTS	1
UPPER SHAFT,LOWER SHAFT DRIVING & BALANCE COMPONENTS	5
NEEDLE BAR ROCKING COMPONENTS	9
PRESSURE ADJUSTING & UPPER FEED MECHANISM COMPONENTS.....	11
FEED MECHANISM COMPONENTS.....	15
HOOK SHAFT & LOWER SHAFT COMPONENTS	21
THREAD TENSION COMPONENTS	25
LOWER THREAD WINDER MECHANISM COMPONENTS	27
KNEE LIFTING COMPONENTS	29
BELT COVER & OIL RESERVOIR COMPONENTS.....	31
LUBRICATION COMPONENTS	33
ACCESSORIES PARTS COMPONENTS	35
THREAD STAND COMPONENTS.....	37
AUTOMATIC BACK COMPONENTS (OPTIONAL PARTS).....	39
AUTOMATIC PRESSER LIFTING MECHANISM COMPONENTS (OPTIONAL PARTS).....	43
OPTIONAL PARTS (ADDITIONAL SPRING FOR PRESSER BAR)COMPONENTS.....	45
SUSPENSION SQUARE (OPTION) COMPONENTS.....	47
OPTIONAL PARTS COMPONENTS (1).....	49
OPTIONAL PARTS COMPONENTS (2).....	51
LIST FOR INFORMATION OF CHANGE.....	53
HOW TO MAKE USE OF THIS PARTS LIST	54

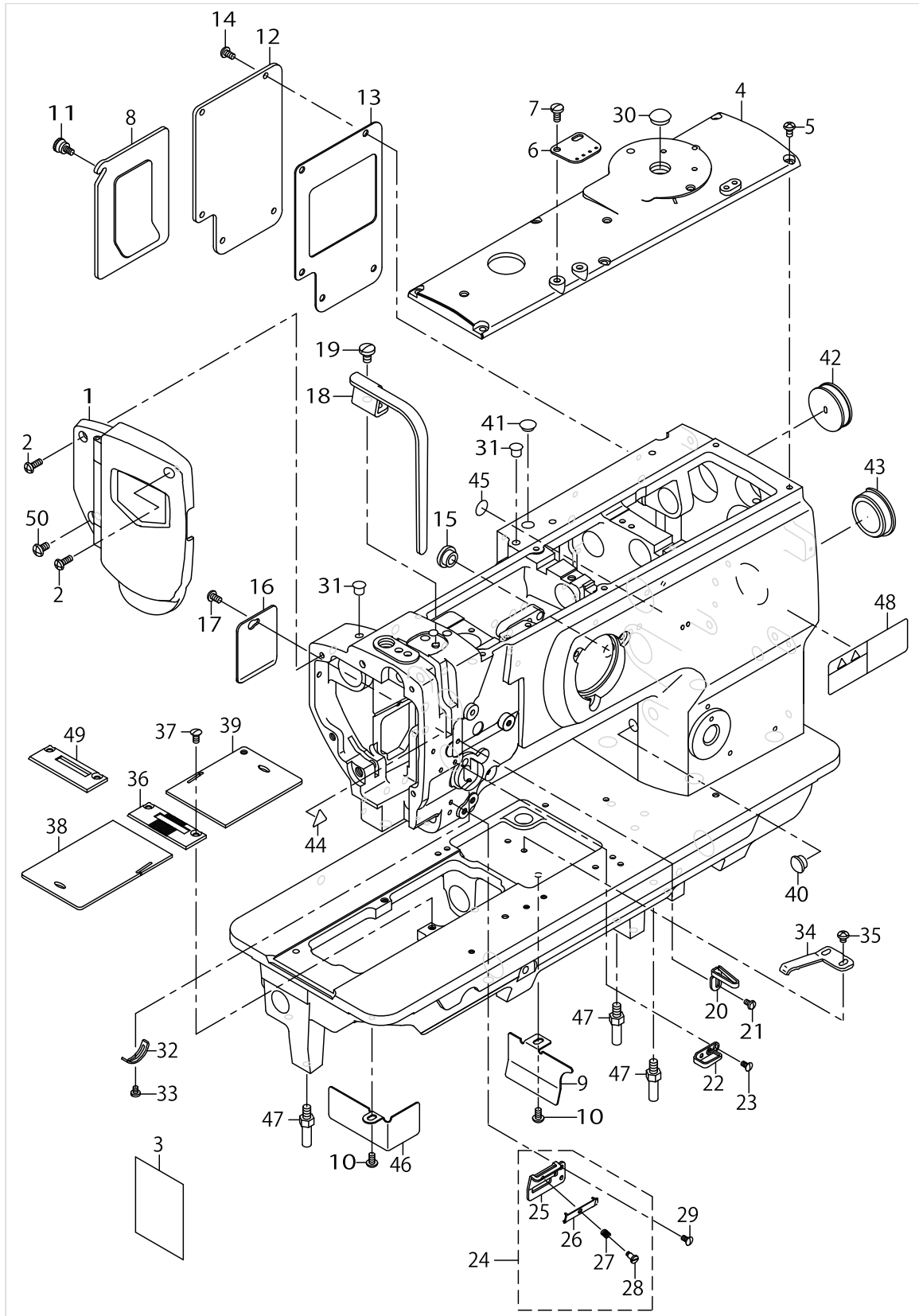
FRAME & MISCELLANEOUS COVER COMPONENTS



FRAME & MISCELLANEOUS COVER COMPONENTS

No.	Supply Code	Parts No.	Replacement	Parts name	Remarks	Choice	Step	Level	Cons	Qty	Rep. QTY
1		40016798		FACE PLATE ASM.						1	
2		SS4111215SP		SCREW11/64-40L=12						2	
3		40152631		LUBRICATION SUPPLEMENT						1	
4		21331301		TOP COVER B						1	
5		SS4110815SP		SCREW 11/64-40 L=8						6	
6		21355904		ARM THREAD GUIDE						1	
7		SS7621040SP		SCREW 3/16-32 L=9.5						2	
8		21331756		WINDOW PLATE A ASM.						1	
9	D	22877609		DUST COVER						1	
10		SS4110815SP		SCREW 11/64-40 L=8						2	
11		21331202		SETSCREW						1	
12		21331806		WINDOW PLATE B						1	
13		21332002		WINDOW PLATE PACKING B						1	
14		SS4110815SP		SCREW 11/64-40 L=8						5	
15		TA1250504R0		RUBBER PLUG						1	
16		21332309		SIDE COVER						1	
17		SS4110815SP		SCREW 11/64-40 L=8						1	
18		21331608		BALANCE COVER						1	
19		SS7150910TP		SCREW 15/64-28 L=9						1	
20		40125273		THREAD_GUIDE	FOR LU-1508N					1	
21		SS5090610SP		SCREW 9/64-40 L=6						1	
22		40108675		FRAME THREAD GUIDE						1	
23		SS2090710TP		SCREW 9/64-40 L=7.2						1	
24		21408554		THREAD GUIDE ASM.						1	
25	R	21408505	21408554	THREAD GUIDE PLATE				*		1	1.00
26		17912106		NEEDLE THREAD PRESSER PLATE				*		1	
27		B1132521000		THREAD PRESSER PLATE SPRING				*		1	
28		SD0380551SL		HINGE SCREW D=3.80 H=5.5				*		1	
29		SS2090710TP		SCREW 9/64-40 L=7.2						1	
30		TA1450404R0		RUBBER PLUG D=14.5 L=4						1	
31		TA0750704R0		RUBBER PLUG						2	
32		B3138512000		TAKE-UP SPRING A-DJUSTING PLATE						1	
33		SS7090520TP		SCREW 9/64-40 L=4.5						1	
34		B1111563000		BED SLIDE SPRING						1	
35		SS4110515SP		SCREW 11/64-40 L=5						2	
36		B1109563000		THROAT PLATE						1	
37		SS2110920TP		SCREW 11/64-40 L=8.5						2	
38		21349600		SLIDING PLATE (LEFT)						1	
39		21349709		SLIDING PLATE (RIGHT)						1	
40		TA1050504R0		RUBBER PLUG						1	
41		TA1250504R0		RUBBER PLUG						1	
42		10201200		RUBBER PLUG						1	
43		22619100		CAP						1	
44		CM300200001		ATTENTION SEAL						1	
45		22901805		GROUND MARK						1	
46		21332200		OIL SHIELD (LEFT)						1	

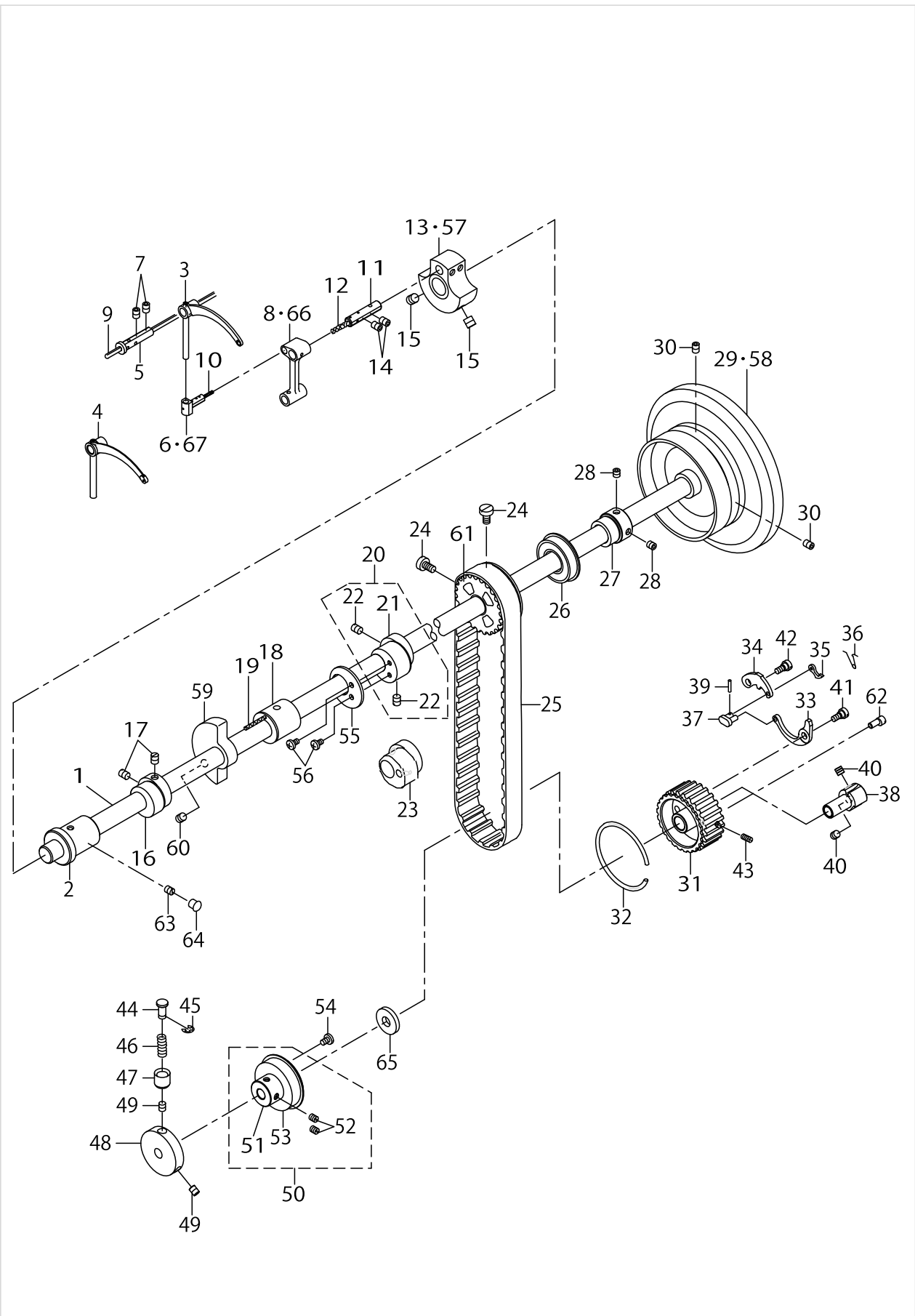
FRAME & MISCELLANEOUS COVER COMPONENTS



FRAME & MISCELLANEOUS COVER COMPONENTS

No.	Supply Code	Parts No.	Replacement	Parts name	Remarks	Choice	Step	Level	Cons	Qty	Rep. QTY
47		22602601		BED SCREW STUD						3	
48		CM301300001		SAFETY LABEL						1	
49		B1109562D00		THROAT PLATE	OPTIONAL PARTS					1	
50		SS4150915SP		SCREW 15/64-28 L=9						1	

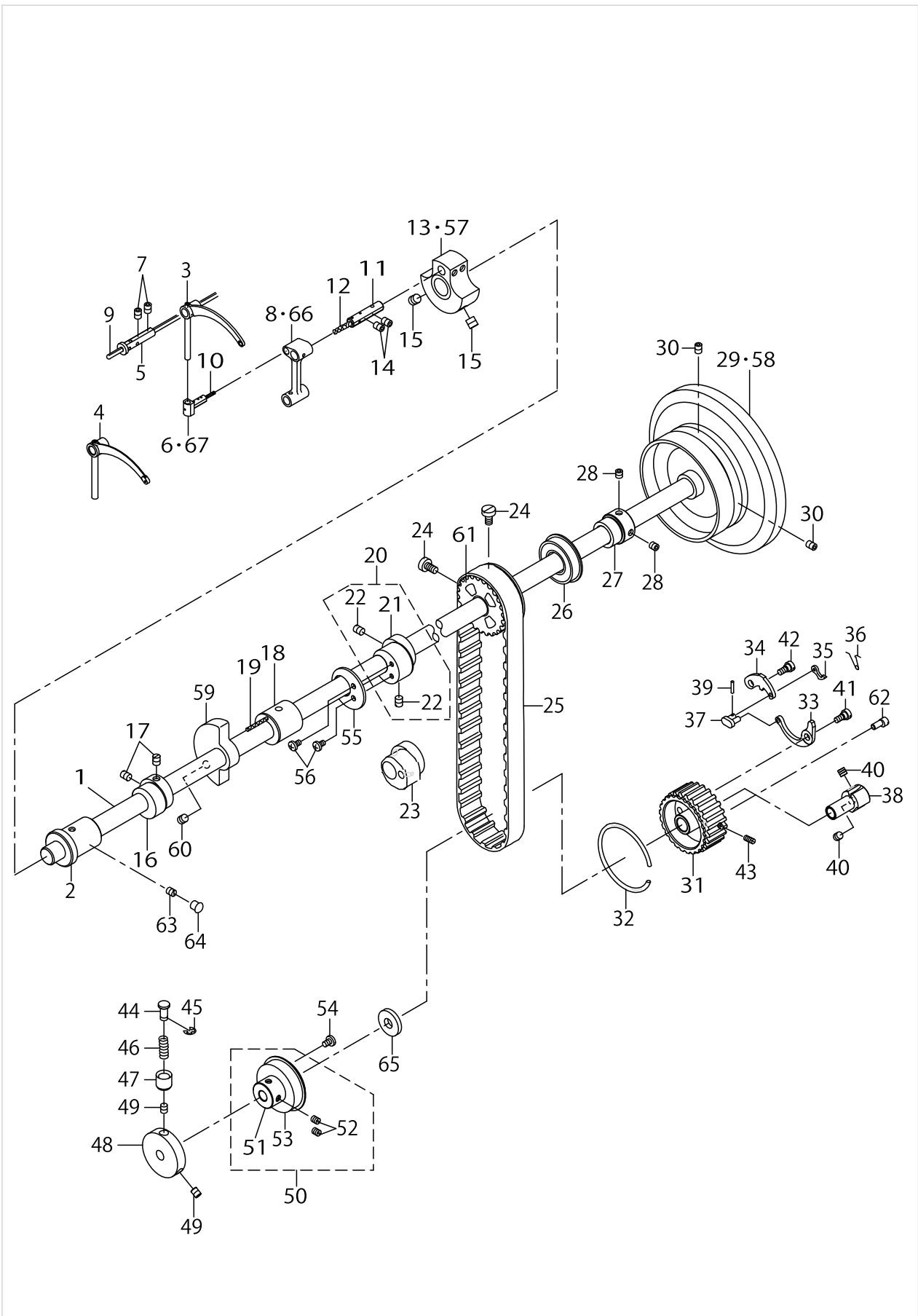
UPPER SHAFT, LOWER SHAFT DRIVING & BALANCE COMPONENTS



UPPER SHAFT,LOWER SHAFT DRIVING & BALANCE COMPONENTS

No.	Supply Code	Parts No.	Replacement	Parts name	Remarks	Choice	Step	Level	Cons	Qty	Rep. QTY
1		21332705		UPPER SHAFT						1	
2		21333000		UPPER SHAFT FRONT METAL						1	
3		B1905563000		THREAD TAKE-UP LEVER	FOR LU-1508N					1	
4		21401906		THREAD TAKE-UP LEVER	FOR LU-1508NH					1	
5		B1906051000		TAKE-UP LEVER PIN						1	
6		B1907051000		TAKE-UP LEVER THRUST PIN	FOR LU-1508N					1	
7		SS8150822TP		SCREW 15/64-28 L=8						2	
8		21339106		NEEDLE BAR CRANK ROD	FOR LU-1508N					1	
9		CQ303000000		OIL WICK						.45	
10		CQ202000000		OIL WICK						.03	
11		B1210051000		NEEDLE BAR CRANK PIN						1	
12		CQ505000000		OIL WICK						.03	
13		21332507		COUNTER WEIGHT (A) (36MM)	FOR LU-1508N					1	
14		SS8150822TP		SCREW 15/64-28 L=8						2	
15		SM8080812TP		SCREW M8X8						2	
16	R	21339502	21339551	UPPERFEEDCAM(3.5)						1	1.00
17		SS8660810TP		SCREW 1/4-40 L=8						2	
18		21333109		UPPER SHAFT INNER METAL						1	
19		CQ202000000		OIL WICK						.15	
20		21336557		ECCENTRIC CAM A ASM.						1	
21	R	21336508	21336557	ECCENTRIC CAM A	FOR LU-1508N			*		1	1.00
22		SS8660810TP		SCREW 1/4-40 L=8				*		2	
23		21352505		TRIANGULAR CAM	FOR LU-1508NH					1	
24		SS6661110SP		SCREW 1/4-40 L=11						2	
25		22604300		TIMING BELT						1	
26		40143083		BEARING						1	
27		21402300		UPPER SHAFT BEARING HOOK						1	
28		SM8060602TP		SCREW M6X6						2	
29		21334008		FLYWHEEL	FOR LU-1508N					1	
30		SS8150822TP		SCREW 15/64-28 L=8						2	
31		21387501		LOWER SPROCKET						1	
32		B1214019000		SPROCKET RING						1	
33		21387709		SAFETY CLUTCH SPRING						1	
34		21387600		SAFETY CLUTCH HOOK						1	
35		B1308055000		SAFETY CLUTCH COUNTER-HOOK						1	
36		40113224		COUNTER HOOK SPRING						1	
37		B1310055000		SAFETY CLUTCH SMALL LINK						1	
38		21387808		SAFETY BASE						1	
39		B1314055000		SAFETY CLUTCH SMALL LINK PIN						1	
40		SS8660612TP		SCREW 1/4-40 L=6						2	
41		SD0640322TP		HINGE SCREW D=6.35 H=3.2						1	
42		SD0640322TP		HINGE SCREW D=6.35 H=3.2						1	
43		SS8111010TP		SCREW 11/64-40 L=9.5						1	
44		B1312563000A		SAFETY CLUTCH PUSH BUTTON						1	
45		RE0500000K0		E-RING						1	
46		B1639051000		SPRING						1	

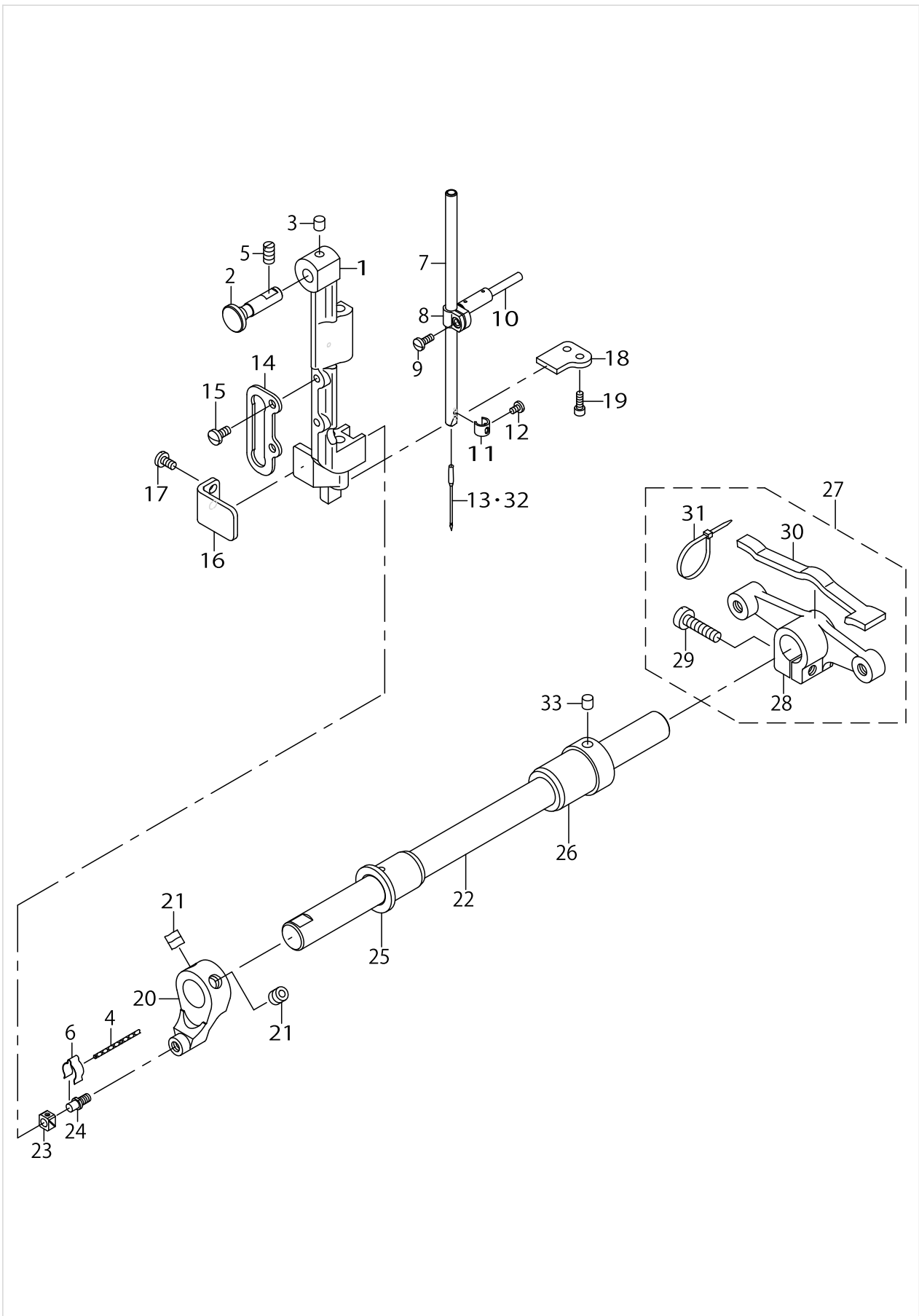
UPPER SHAFT, LOWER SHAFT DRIVING & BALANCE COMPONENTS



UPPER SHAFT,LOWER SHAFT DRIVING & BALANCE COMPONENTS

No.	Supply Code	Parts No.	Replacement	Parts name	Remarks	Choice	Step	Level	Cons	Qty	Rep. QTY
47		B1313055000		SAFETY CLUTCH KNOB SLEEVE						1	
48		21333703		SAFETY CLUTCH DISC						1	
49		SS8150710TP		SCREW 15/64-28 L=7						2	
50		40038700		THRUST COLLAR ASM.						1	
51	R	40038702	40038700	THRUST COLLAR				*		1	1.00
52		SS8661030SP		SCREW 1/4-40 L=10				*		2	
53		SB120000200		BEARING 20X42				*		1	
54		SS7120760SP		SCREW 3/16-28 L=7.0						2	
55		21353008		HORIZONTAL FEED CAM COVER						1	
56		SS7110710SP		SCREW 11/64-40 L=7						2	
57		21332606		COUNTER WEIGHT (B) (38MM)	FOR LU-1508NH					1	
58		21332903		FLYWHEEL	FOR LU-1508NH					1	
59		21333406		BALANCER	FOR LU-1508N					1	
60		SS8151550SP		SCREW15/64-28L=15	FOR LU-1508N					2	
61		40038692		UPPER SPROCKET						1	
62		21387907		ADJUSTING PIN (1.2)						1	
63		SS8150710TP		SCREW 15/64-28 L=7						1	
64		TA0750704R0		RUBBER PLUG						1	
65		40016148		THRUST COLLAR B WASHER						1	
66		40055028		NEEDLE BAR CRANK ROD	FOR LU-1508NH					1	
67		22605406		TAKE-UP LEVER THRUST PIN	FOR LU-1508NH					1	

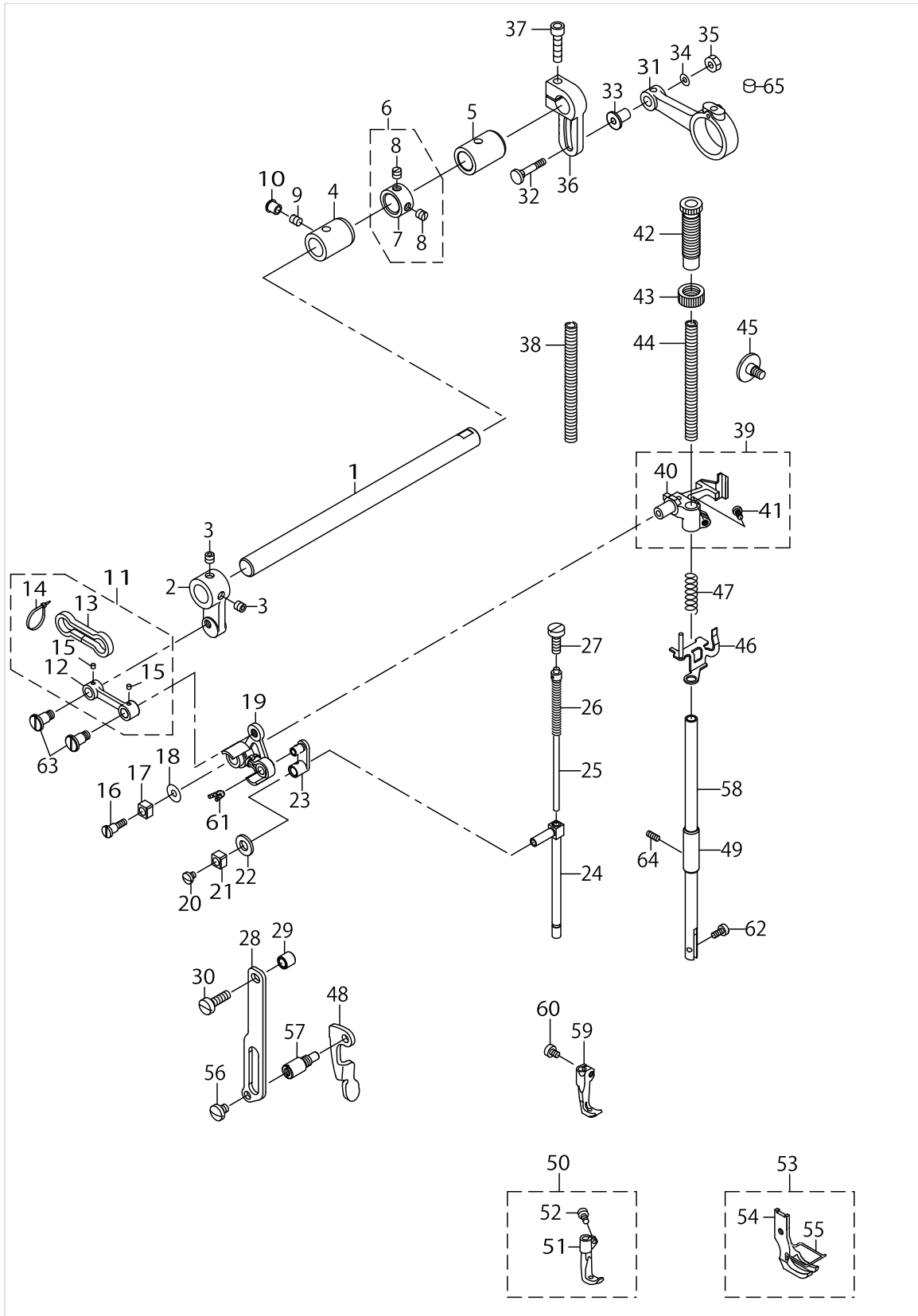
NEEDLE BAR ROCKING COMPONENTS



NEEDLE BAR ROCKING COMPONENTS

No.	Supply Code	Parts No.	Replacement	Parts name	Remarks	Choice	Step	Level	Cons	Qty	Rep. QTY
1		B1420563000		NEEDLE BAR FRAME						1	
2		21405204		HINGE STUD						1	
3		22814909		FELT						1	
4		CQ202000000		OIL WICK						.05	
5		SS8151150TP		SCREW 15/64-28 L=10.5						1	
6		B1437051000		OIL WICK RETAINER						1	
7		B1401053000		NEEDLE BAR						1	
8	D	B1411053000		NEEDLE BAR CONNECTION						1	
9	R	SS7090910SP	SS7090910TP	SCREW 9/64-40 L=8.5						1	1.00
10		B1412051000		FELT						1	
11		10308609		THREAD GUARD						1	
12		SS7080510TP		SCREW 1/8-44 L=4.5						1	
13		M13517B1600		NEEDLE 135X17 #160						1	
14		B1467563000		UPPER FEED BAR GUIDE						1	
15		SS7110910TP		SCREW 11/64-40 L=8.5						2	
16		21388400		ROCKING BASE GUIDE						1	
17		SS7110830SP		SCREW 11/64-40 L=7.5						2	
18		21338603		ROCKING BASE GUIDE (B)						1	
19		SS6091022TP		SCREW						2	
20		21338801		ROCKINGFRONTARM						1	
21		SM8080802TP		SCREW						2	
22		21338900		ROCKING SHAFT						1	
23		B1414232000		SQUARE BLOCK						1	
24		B1410771000		STUD						1	
25		21339304		ROCKING SHAFT FRONT METAL						1	
26		40027746		BUSHING REAR						1	
27		21339056		ROCKING REAR ARM ASM.						1	
28		21339007		ROCKING REAR ARM				*		1	
29		SS6152440SP		SCREW 15/64-28 L=23.5				*		1	
30		21347406		ROCKING REAR ARM FELT				*		1	
31		EA9500B0100		CABLE BAND				*		2	
32		MC0190R1600		NEEDLE 190R #160	FOR LU-1508NH					1	
33		22814909		FELT						1	

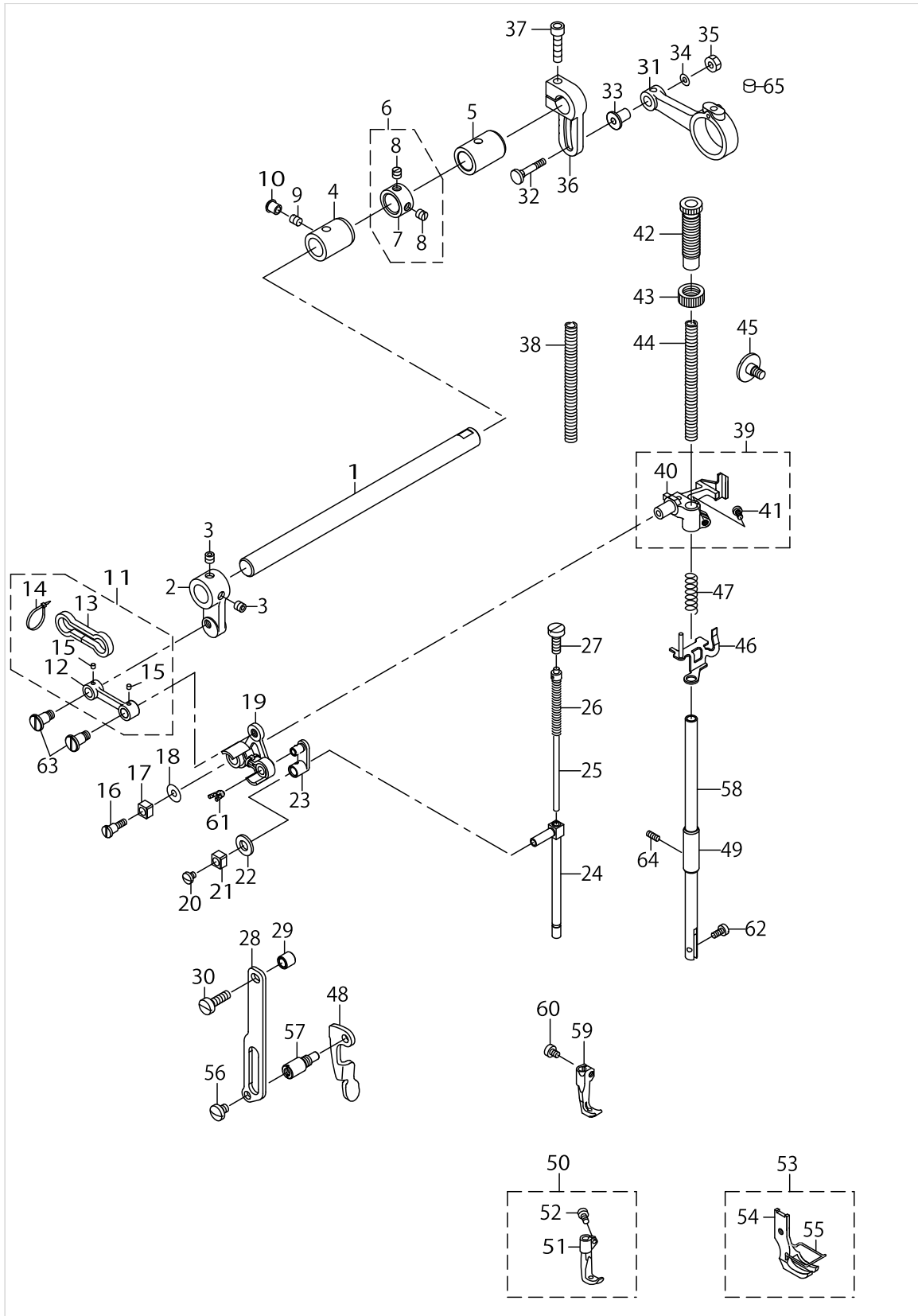
PRESSURE ADJUSTING & UPPER FEED MECHANISM COMPONENTS



PRESSURE ADJUSTING & UPPER FEED MECHANISM COMPONENTS

No.	Supply Code	Parts No.	Replacement	Parts name	Remarks	Choice	Step	Level	Cons	Qty	Rep. QTY
1		21340401		UPPER FEED SHAFT						1	
2		21340500		UPPER FEED FRONT ARM						1	
3		SS8660612TP		SCREW 1/4-40 L=6						2	
4		40039326		FRONT METAL						1	
5		21378302		FEED SHAFT METAL						1	
6		22904155		MAIN SHAFT THRU-ST COLLAR ASM.						1	
7	R	22904106	22904155	MAIN SHAFT THRUST COLLAR				*		1	1.00
8		SS8660610TP		SCREW 1/4-40 L=6				*		2	
9		SS8150710TP		SCREW 15/64-28 L=7						1	
10		TA0750704R0		RUBBER PLUG						1	
11		40033027		UPPER FEED LINK ASM.						1	
12		40033026		UPPER FEED LINK				*		1	
13		21347109		FELT				*		1	
14		EA9500B0000		CLIP CV-70S				*		2	
15		CQ3000000F0		OIL FELT				*		0.-0028	
16		40018339		SCREW						1	
17		B1414555000		SLIDE BLOCK						1	
18		WP0501046SC		WASHER 5X13X1						1	
19		40033029		TRIANGULAR LEVER ASM.						1	
20		SS7110510SP		SCREW 11/64-40 L=5						1	
21		B1414555000		SLIDE BLOCK						1	
22		10509701		FELT						1	
23		40018341		WALKING BAR DRIVING LINK						1	
24		40033030		WALKING BAR A						1	
25		B14670530A0		WALKING BAR ASM.						1	
26		B1468053000		WALKING BAR SPRING						1	
27		SS6151780SP		SCREW 15/64-28 L=17.0						1	
28		21406509		UPPER FEED GUIDE PLATE						1	
29		26225201		ROLLER						1	
30		SS6151920SP		SCREW 15/64-28 L=19.0						1	
31		21340104		UPPER FEED ROD						1	
32		D1456055B00		HINGE SCREW						1	
33		D1455055B00		CONNECTING STUD						1	
34		WP0482086SD		WASHER 4.8X11.5X2						1	
35		NS6110530SP		NUT 11/64-40						1	
36		21437900		UPPER FEED REAR ARM						1	
37		SM6062502TP		SCREW M6 L=25						1	
38		B1510141H00		PRESSER SPRING	OPTIONAL PARTS					1	
39		40033032		PRESSER BAR HOLDER A ASM.						1	
40		40033031		PRESSER BAR HOLDER A				*		1	
41		SS7110910TP		SCREW 11/64-40 L=8.5				*		1	
42		21340906		PRESSER ADJUSTING SCREW						1	
43	R	22907604	22907554	PRESSER SPRING REGULATOR NUT						1	1.00
44		B1502246000		PRESSER SPRING						1	
45		SD0800481SP		HINGE SCREW D=8 H=4.9						1	

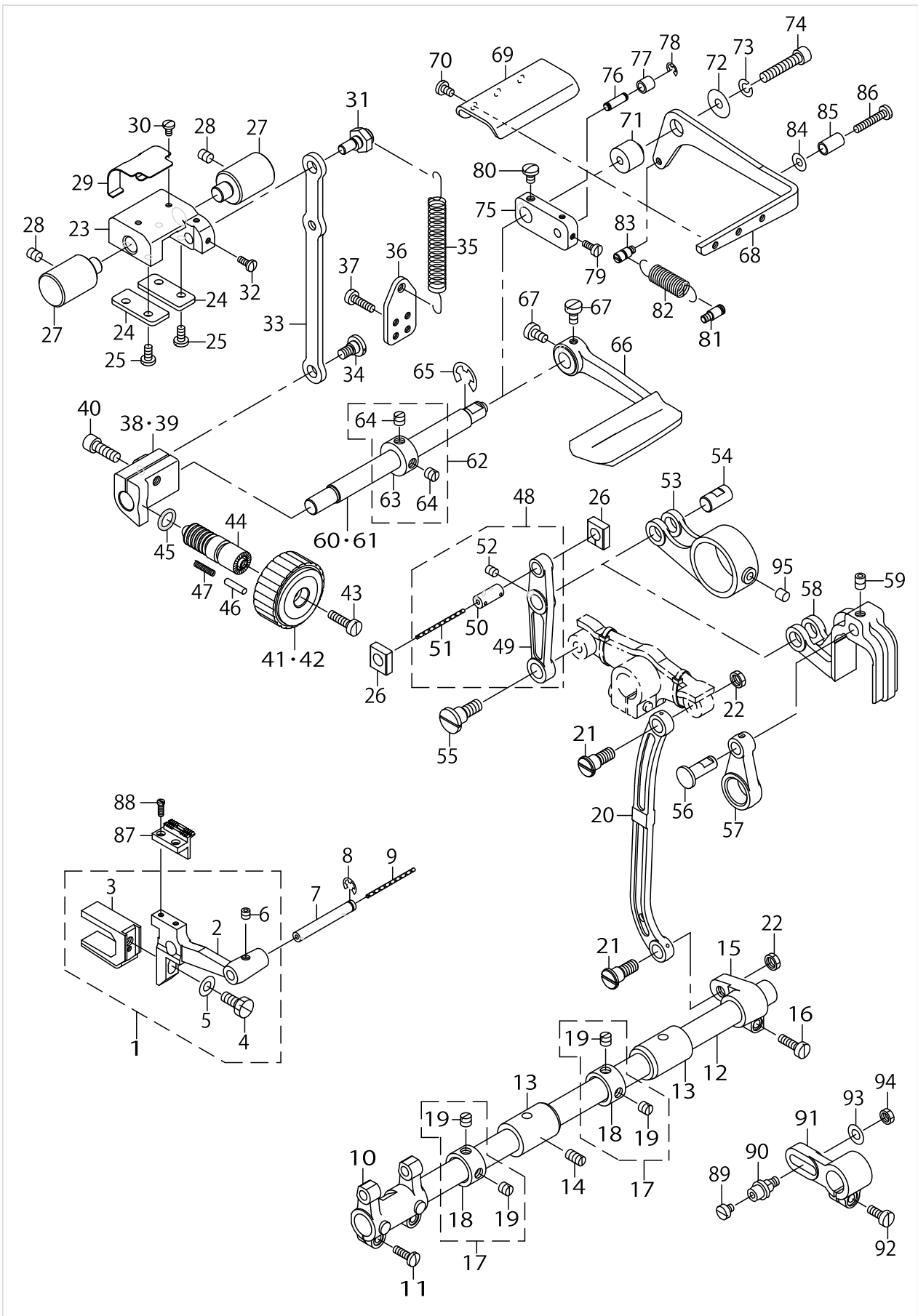
PRESSURE ADJUSTING & UPPER FEED MECHANISM COMPONENTS



PRESSURE ADJUSTING & UPPER FEED MECHANISM COMPONENTS

No.	Supply Code	Parts No.	Replacement	Parts name	Remarks	Choice	Step	Level	Cons	Qty	Rep. QTY
46		21341151		THREAD RELEASE HOLDING PLATE						1	
47		B1462053000		THREAD RELEASE SPRING						1	
48		21406103		PRESSER LIFTER LEVER						1	
49		B1510155000		PRESSER BAR LOWER BUSHING						1	
50		B1470241HA0		WALKING FOOT ASM.	FOR LU-1508N					1	
51	R	B1470241H00	B1470241HA0	WALKING FOOT				*		1	1.00
52		B1471241H00		SCREW				*		1	
53		B1525241HA0		PRESSER FOOT ASM.						1	
54	R	B1525241H00	B1525241HA0	PRESSER FOOT				*		1	1.00
55		10337905		FINGER GUARD				*		1	
56		SS7150740SP		SCREW 15/64-28 L=7						1	
57		21406608		GUIDE PLATE SPACER						1	
58		B1501241H00		PRESSER BAR						1	
59		21350004		UPPER FEED FOOT	FOR LU-1508NH					1	
60		B1471241H00		SCREW	FOR LU-1508NH					1	
61		CQ252000000		OIL WICK						.02	
62		SS6090910TP		SCREW 9/64-40 L=9						1	
63		40018340		SCREW						2	
64		SS8111010TP		SCREW 11/64-40 L=9.5						1	
65		22814909		FELT						1	

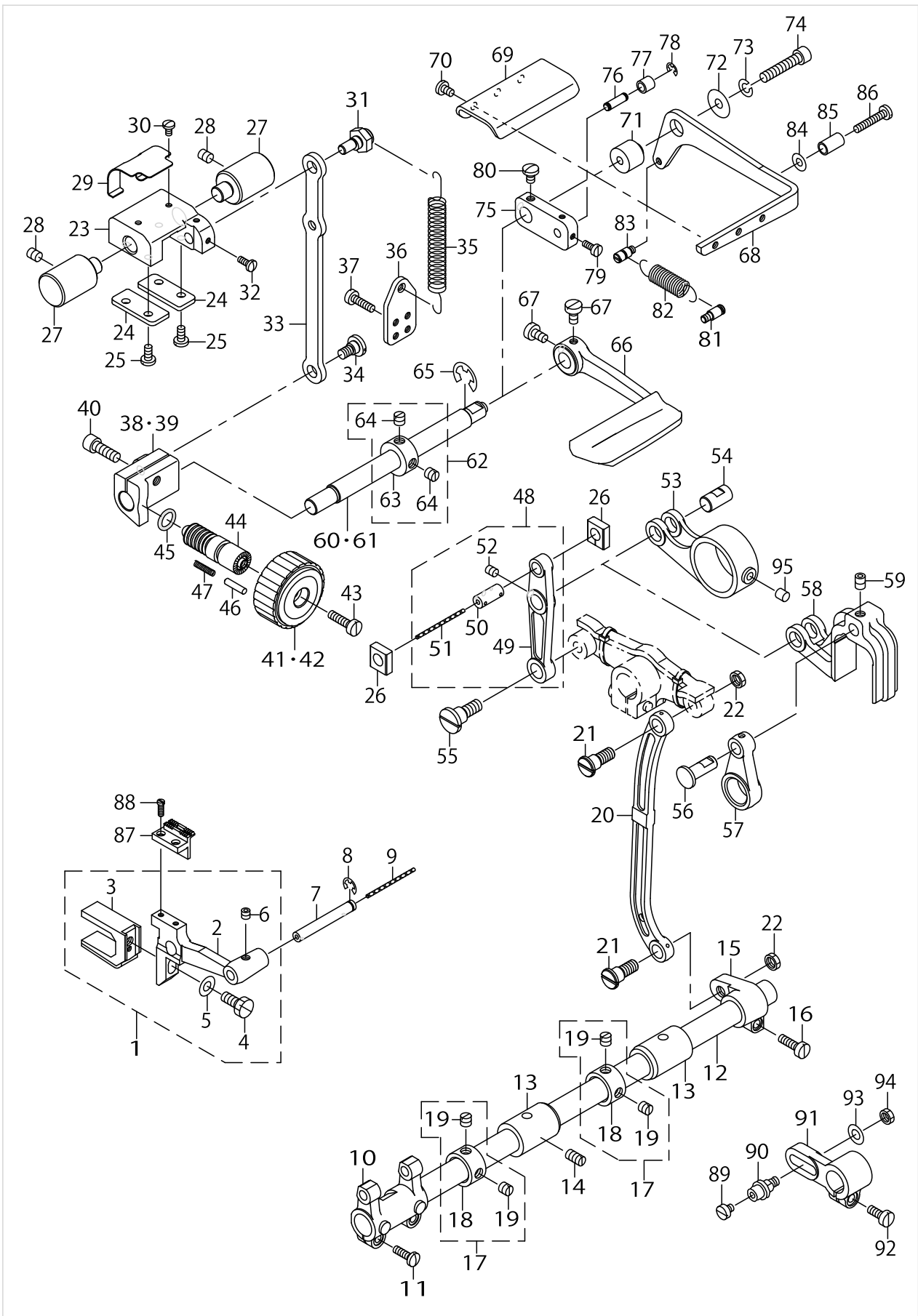
FEED MECHANISM COMPONENTS



FEED MECHANISM COMPONENTS

No.	Supply Code	Parts No.	Replacement	Parts name	Remarks	Choice	Step	Level	Cons	Qty	Rep. QTY
1		21336052		FEED BASE ASM. (A)						1	
2	R	21336003	21336052	FEED BASE		A	LU1508	*		1	1.00
2	R	21336003	21336060	FEED BASE		B	LU1510	*		1	1.00
3		B1604051000		FEED BAR SLIDE FORK				*		1	
4		SS9151440CP		SCREW15/64-28L=14				*		1	
5		WP0621016SD		WASHER 6.2X13X1				*		1	
6		SM8050502TP		SCREW M5 L=5				*		1	
7		B1604012000A		FEED BAR SHAFT						1	
8		RE0500711KP		SNAP RING 5						1	
9		CQ202000000		OIL WICK						.14	
10		21364104		FEED ROCKER						1	
11	R	SS7111410SP	SS7111410TP	SCREW11/64-40L=14						2	1.00
12		22609408		FEED ROCK SHAFT						1	
13		21378302		FEED ROCK SHAFT METAL						2	
14		SS8151150TP		SCREW 15/64-28 L=10.5						1	
15		22609309		FEED ROCKER SHAFT CRANK						1	
16		SS6121610TP		SCREW 3/16-28 L=15.5						1	
17		22904155		MAIN SHAFT THRU-ST COLLAR ASM.						2	
18	R	22904106	22904155	MAIN SHAFT THRUST COLLAR				*		1	1.00
19		SS8660610TP		SCREW 1/4-40 L=6				*		2	
20		10205201		NEEDLE BAR FRAME ROD						1	
21		SD0900701TP		HINGESCREWD=9H=7						2	
22		NS6680320SP		NUT 9/32-28						2	
23		21337506		FEED ADJUSTING BASE						1	
24		21337704		FEED ADJUSTING BASE COVER						2	
25		SS7110910TP		SCREW 11/64-40 L=8.5						4	
26		21337407		SQUARE BLOCK						2	
27		21337803		FEED ADJUSTING BASE SUPPORT						2	
28		SS8150822TP		SCREW 15/64-28 L=8						2	
29		21338306		FELT SUPPORT						1	
30		SS7090610SP		SCREW 9/64-40 L=6						2	
31		21337902		ECCENTRIC PIN						1	
32		SS7090910TP		SCREW 9/64-40 L=8.5						2	
33		21337308		FEED ADJUSTING ROD						1	
34		SD0800402TP		HINGESCREWD=8H=4						1	
35		21337605		SPRING						1	
36		40019926		SPRING HOOK						1	
37		SS6111610SP		SCREW11/64-40L=16						2	
38		21337209		FEED ADJUSTING A	FOR LU-1508N					1	
39		21338108		FEED ADJUSTING B	FOR LU-1508NH					1	
40		SM6061802TP		SCREW M6 L=18						1	
41		21336805		FEED DIAL A	FOR LU-1508N					1	
42		21336904		FEED DIAL B	FOR LU-1508NH					1	
43		SS6121860SP		SCREW 3/16-28 L=18						1	
44		22911804		FEED REGULATOR SCREW						1	
45		RO092270200		RUBBER RING						1	

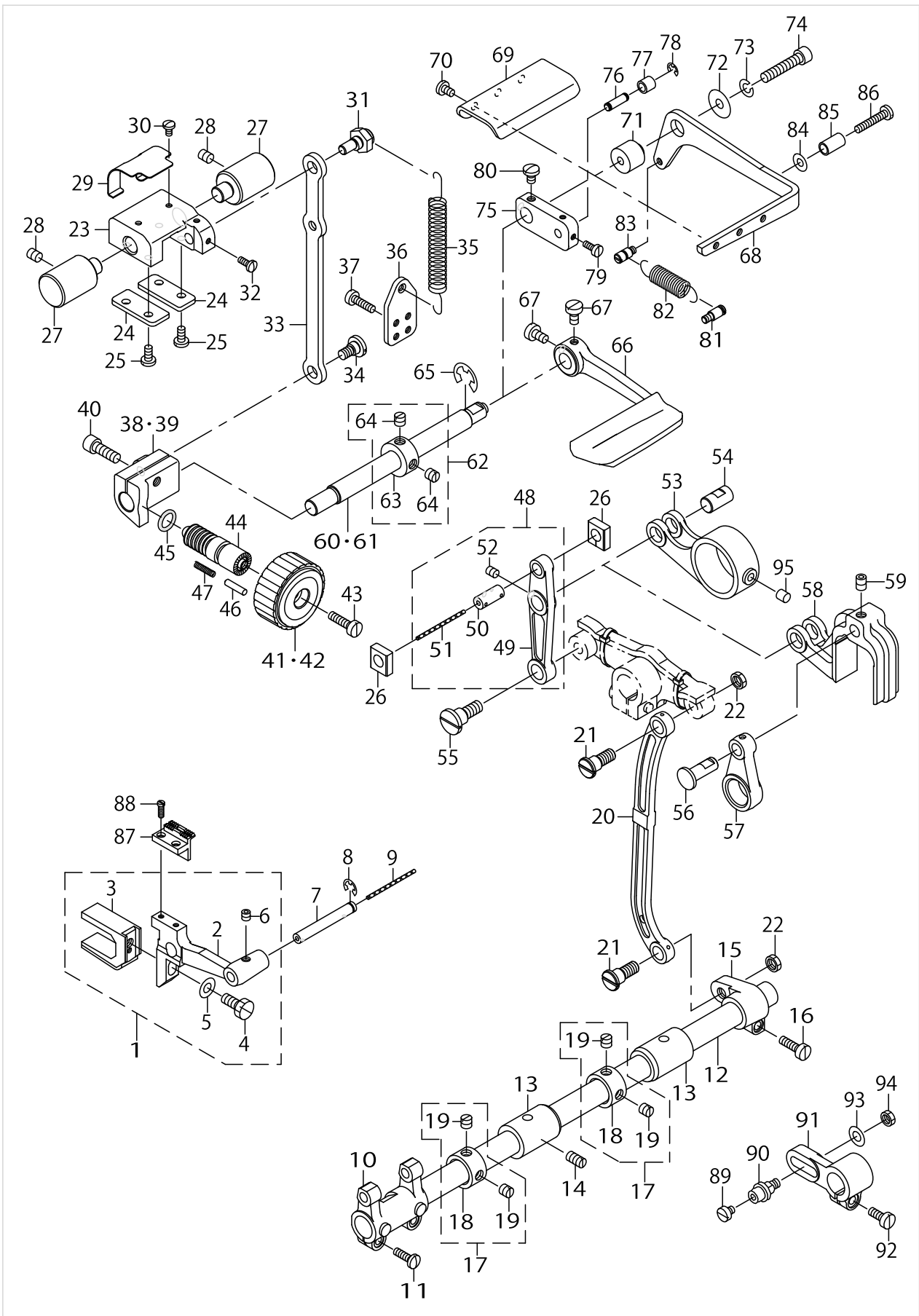
FEED MECHANISM COMPONENTS



FEED MECHANISM COMPONENTS

No.	Supply Code	Parts No.	Replacement	Parts name	Remarks	Choice	Step	Level	Cons	Qty	Rep. QTY
46		22912000		FEED REGULATOR PIN						1	
47		22912109		FEED REGULATOR PIN SPRING						1	
48		21336656		FEED LINK ASM.						1	
49		21336607		FEED LINK				*		1	
50		40009103		CONNECTING FORKED LINK PIN				*		1	
51		CQ202000000		OIL WICK				*		0.04	
52		SM8050612TP		SCREW M5X6				*		1	
53		21336706		FEED ROD A	FOR LU-1508N					1	
54		21378906		FEED LINK PIN						1	
55		SD1000801SH		HINGE SCREW D=10 H=8						1	
56		21352703		FEED TRIANGULAR CAM PIN	FOR LU-1508NH					1	
57		10083202		REAR CRANK	FOR LU-1508NH					1	
58		21352604		FEED TRIANGULAR CAM ROD	FOR LU-1508NH					1	
59		SS8150822TP		SCREW 15/64-28 L=8	FOR LU-1508NH					1	
60		21336300		BACKWARD FEED LEVER SHAFT	FOR LU-1508N					1	
61	D	21336409		BACKWARD FEED LEVER SHAFT B	FOR LU-1508NH					1	
62		CS1201010SH		THRUST COLLAR ASM. D=12 W=10						1	
63		CS1201011SH		THRUST COLLAR D=12 W=10				*		1	
64		SS8660610TP		SCREW 1/4-40 L=6				*		2	
65		RE0900000K0		E-RING 9						1	
66		21388004		REVERSE FEED CONTROL LEVER	FOR LU-1508N					1	
67		SS6120930TP		SCREW 3/16-28 L=9	FOR LU-1508N					2	
68		21337001		BACKWARD FEED LEVER B	FOR LU-1508NH					1	
69		21337100		BACKWARD FEED P-RESSER PLATE	FOR LU-1508NH					1	
70		SS7110710SP		SCREW 11/64-40 L=7	FOR LU-1508NH					3	
71		21352901		BACKWARD FEED LINK FULCRUM	FOR LU-1508NH					1	
72		WP0612056SD		WASHER 6.1X18.5X2	FOR LU-1508NH					1	
73		WS0610002KP		SPRING WASHER	FOR LU-1508NH					1	
74		SS6153012TP		SCREW 15/64-28	FOR LU-1508NH					1	
75		40039454		CHANGE BASE	FOR LU-1508NH					1	
76		D2461481C00		CONNECTING PIN	FOR LU-1508NH					1	
77		26023200		FEED CAM ROLL	FOR LU-1508NH					1	
78		RE0400000K0		E-RING 4	FOR LU-1508NH					1	
79		SS6090910SP		SCREW 9/64-40 L=9	FOR LU-1508NH					2	
80		SS7120710SP		SCREW 3/16-28 L=7	FOR LU-1508NH					1	
81		40023289		SPRINGSUSPENSION	FOR LU-1508NH					1	
82		13789201		TENSION SPRING	FOR LU-1508NH					1	
83		11272614		FEED SPRING HOOK	FOR LU-1508NH					1	
84		WP0502616SD		WASHER	FOR LU-1508NH					1	
85		22952501		BACK LEVER STOPPER	FOR LU-1508NH					1	
86		SS7112420SP		SCREW 11/64-40 L=24	FOR LU-1508NH					1	
87		21349303		FEED DOG (2.5X7.2)						1	
88		B1611055000		SCREW						2	
89		SS6110520TP		SCREW 11/64-40 L=4.5	OPTIONAL PARTS					1	
90		10122000		CONNECTING PIN	OPTIONAL PARTS					1	
91		B3025141H00A		CONNECTING ARM	OPTIONAL PARTS					1	

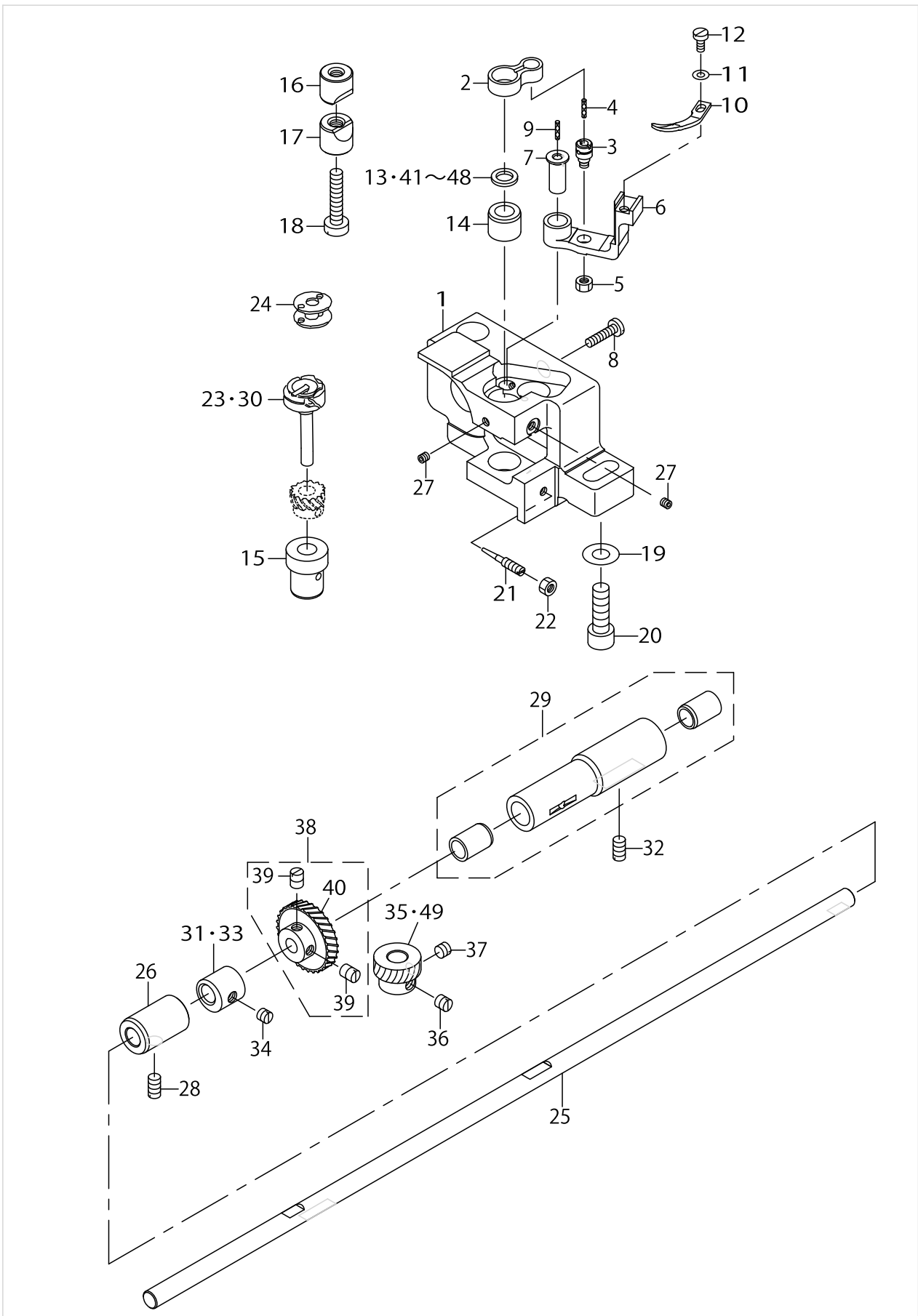
FEED MECHANISM COMPONENTS



FEED MECHANISM COMPONENTS

No.	Supply Code	Parts No.	Replacement	Parts name	Remarks	Choice	Step	Level	Cons	Qty	Rep. QTY
92		SS6121210TP		SCREW 3/16-28 L=12	OPTIONAL PARTS					1	
93		WP0650876SD		WASHER 6.5X13X0.8	OPTIONAL PARTS					1	
94		NS6150310SP		NUT 15/64-28	OPTIONAL PARTS					1	
95		21387402		FELT						1	

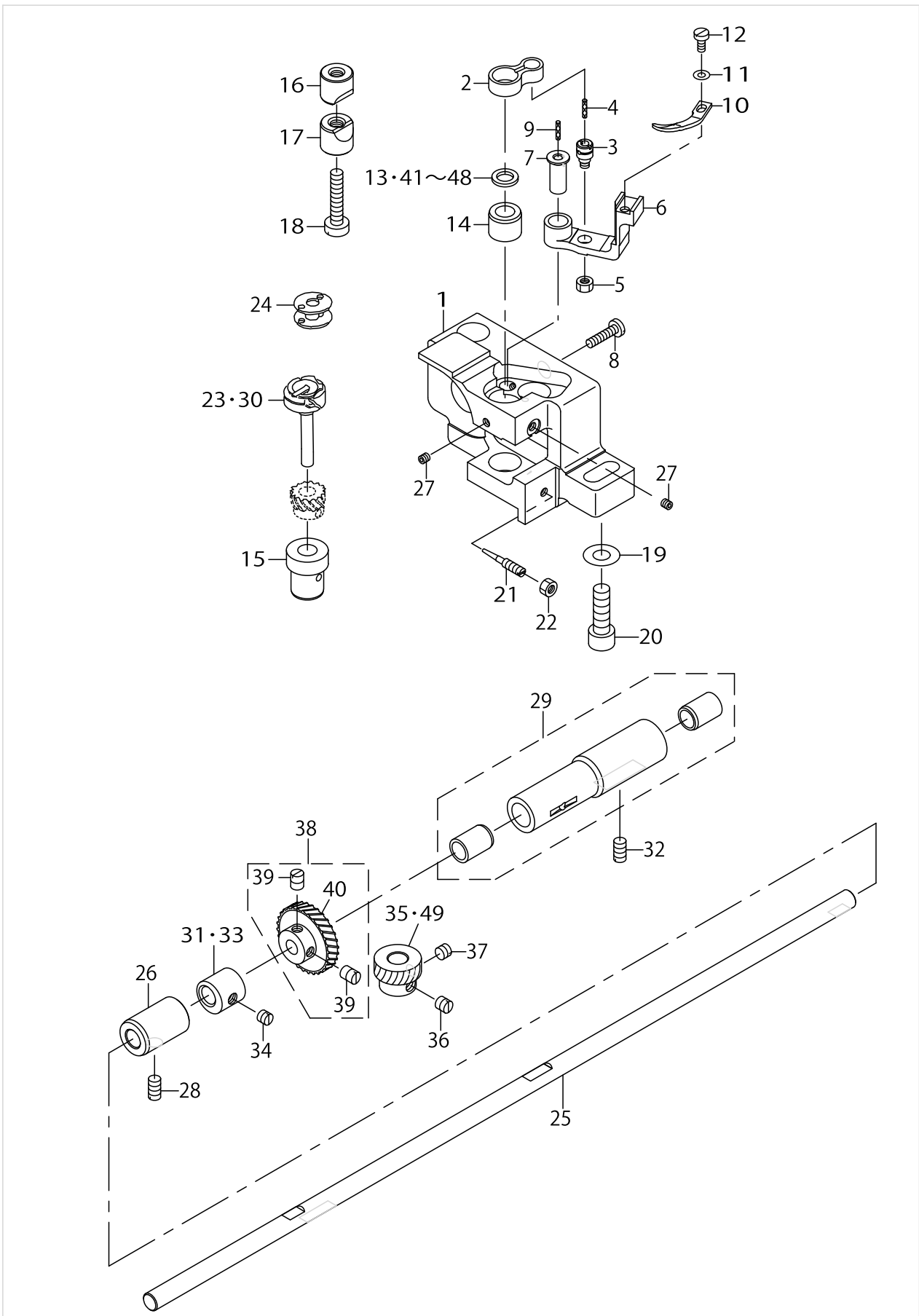
HOOK SHAFT & LOWER SHAFT COMPONENTS



HOOK SHAFT & LOWER SHAFT COMPONENTS

No.	Supply Code	Parts No.	Replacement	Parts name	Remarks	Choice	Step	Level	Cons	Qty	Rep. QTY
1		21335005		HOOK SHAFT BASE (RIGHT)						1	
2		B1820563000		BOBBIN CASE OPE- NING LEVER LINK						1	
3		B1821051000		CRANK SCREW STUD						1	
4		CQ202000000		OIL WICK						.01	
5		NS6110420SP		NUT 11/64-40						1	
6		B1822563000		BOBBIN CASE OPE- NING LEVER CRANK						1	
7		B1823051000		OPENING LEVER CRANK PIN						1	
8	R	SS7111810SP	SS7111810TP	SCREW 11/64-40L=18						1	1.00
9		CQ202000000		OIL WICK						.01	
10		B1824563000		BOBBIN CASE OPENING LEVER						1	
11		WP0371016SD		WASHER 3.7X8X1						1	
12		SS6090810SP		SCREW 9/64-40 L=7.5						1	
13		10111102		THRUST WASHER 1.3	SELECTIVE PARTS					1	
14		21378500		HOOK SHAFT UPPER METAL						1	
15		21334701		HOOK SHAFT LOWER METAL						1	
16		10109908		SADDLE INSTALLIN- G BLOCK UPPER						1	
17		10112407		SADDLE INSTALLIN- G BLOCK LOWER						1	
18		SS6153040SP		SCREW 15/64-28L=30						1	
19		WP0850002SP		WASHER 8.5X18X1.6						1	
20		SM6082502TP		SCREW M8 L=25						1	
21		B1843563000		OIL ADJUSTING SCREW						1	
22		NS6110420SP		NUT 11/64-40						1	
23		B18305630A0		VERTICAL-AXIS SE- WING HOOK ASM.						1	
24		B9117563000		BOBBIN						1	
25		21333604		LOWER SHAFT						1	
26		21427307		LOWER SHAFT METAL REAR						1	
27		SS8110422TP		SCREW 11/64-40 L=4						2	
28		SS8151150TP		SCREW 15/64-28 L=10.5						1	
29		B18035150A0		BUSHING ASM. INTERMEDIATE						1	
30		B1830563BA0		HOOK ASM. FOR EX- TREME THICK T	FOR LU-1508NH					1	
31		B184005100A		VERTICAL FEED CAM	OPTIONAL PARTS					1	
32		SS8151150TP		SCREW 15/64-28 L=10.5						1	
33		B1840051000		FEED DRIVING ECCENTRIC						1	
34		SS8150510TP		SCREW 15/64-28 L=4.7						1	
35		B1817051000		HOOK DRIVING SH- AFT GEAR SMALL	SELECTIVE PARTS					1	
36		SS8660670SP		SCREW 1/4-40 L=6.1						1	
37		SS8660530TP		SCREW 1/4-40 L=4.5						1	
38		40162860		HOOK DRIVING SHAFT GEAR ASM						1	
39		SS8660810TP		SCREW 1/4-40 L=8				*		2	
40		B1816051000		HOOK DRIVING SH- AFT GEAR, LARGE				*		1	
41		10112704		THRUST WASHER 1.8	SELECTIVE PARTS					1	
42		10109700		THRUST WASHER A	SELECTIVE PARTS					1	
43		10109809		THRUST WASHER B	SELECTIVE PARTS					1	

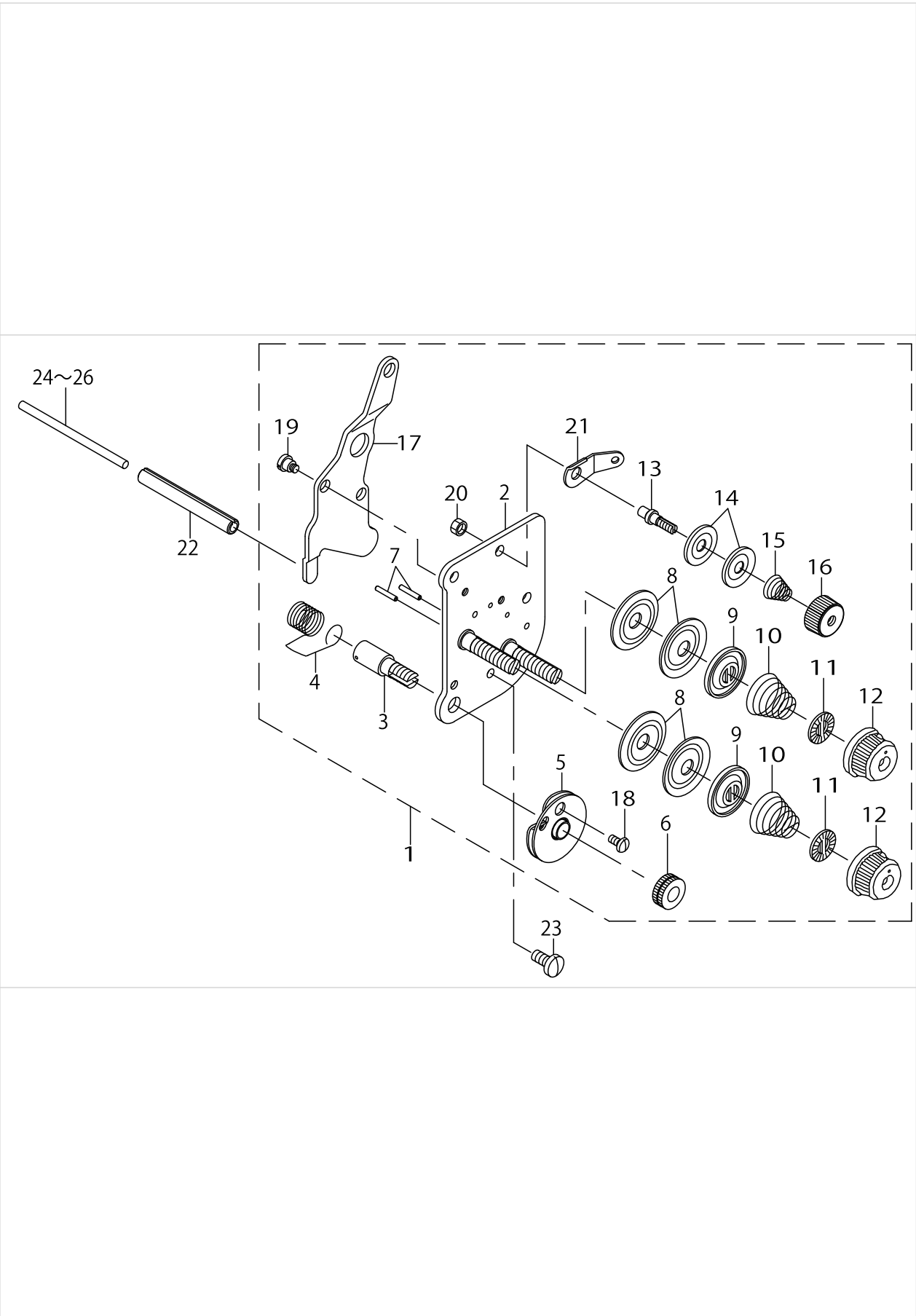
HOOK SHAFT & LOWER SHAFT COMPONENTS



HOOK SHAFT & LOWER SHAFT COMPONENTS

No.	Supply Code	Parts No.	Replacement	Parts name	Remarks	Choice	Step	Level	Cons	Qty	Rep. QTY
44		10110906		BUSHING THRUST 1.1	SELECTIVE PARTS					1	
45		10111003		THRUST WASHER 1.2	SELECTIVE PARTS					1	
46		10111201		THRUST WASHER 1.4	SELECTIVE PARTS					1	
47		10112506		THRUST WASHER 1.6	SELECTIVE PARTS					1	
48		10112605		THRUST WASHER 1.7	SELECTIVE PARTS					1	
49		40042611		HOOK DRIVING SHAFT GEAR	SELECTIVE PARTS					1	

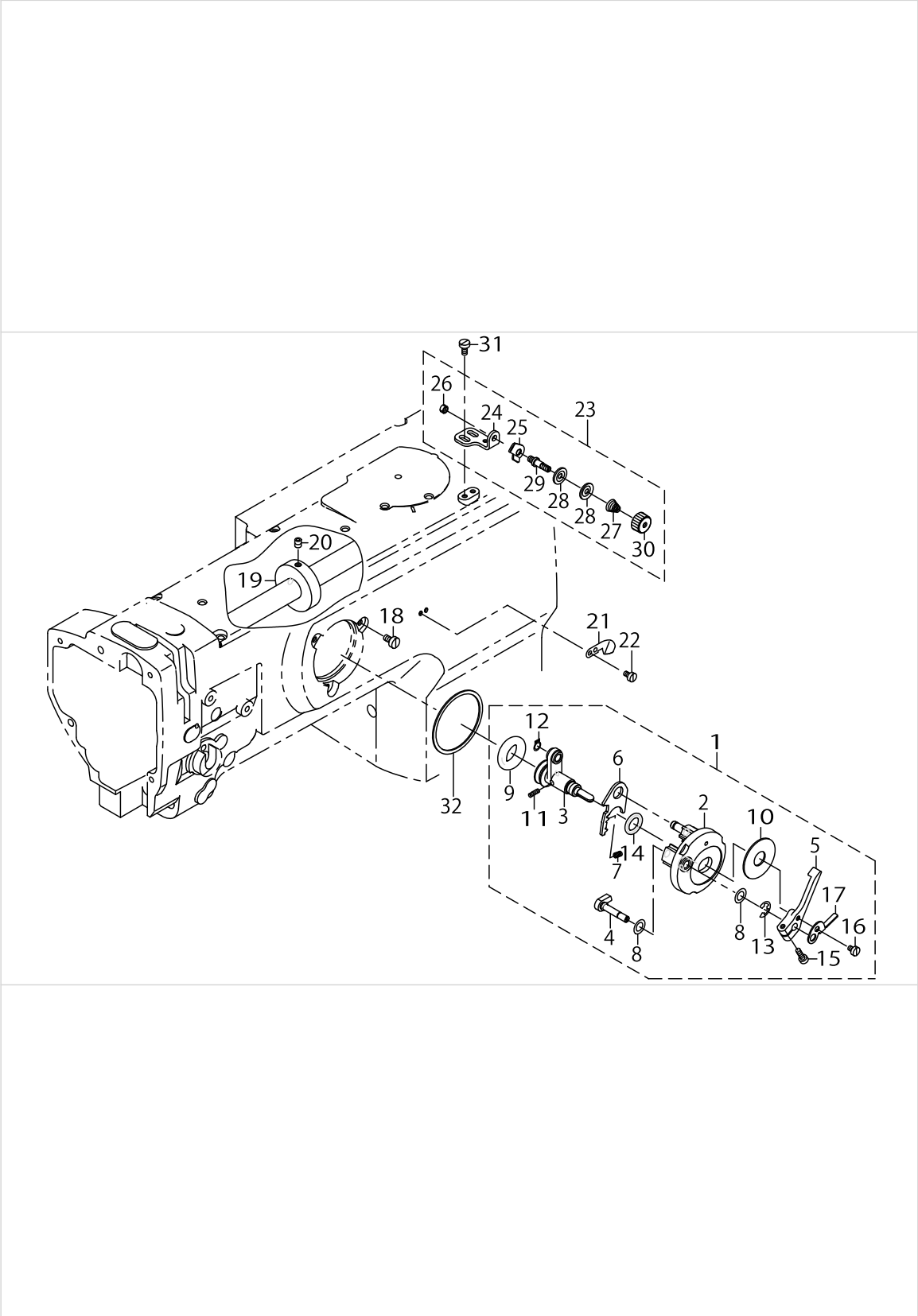
THREAD TENSION COMPONENTS



THREAD TENSION COMPONENTS

No.	Supply Code	Parts No.	Replacement	Parts name	Remarks	Choice	Step	Level	Cons	Qty	Rep. QTY
1		40103925		THREAD TENSION ASM.						1	
2		21441050		TENSION POST COMPL.				*		1	
3		10320109		SCREW STUD				*		1	
4		B3128520000		TENSION SPRING				*		1	
5		B31370510A0		TAKE-UP SPRING GUIDE DISC ASM.				*		1	
6	R	B3125012000	22928808	THREAD TENSION NUT				*		1	1.00
7		22618201		TENSION RELEASE PIN A				*		2	
8		13138201		THREAD TENSION DISK				*		4	
9		22617906		THREAD TENSION DISK PRESSER				*		2	
10		B3129526000		TENSIONSPRING(1.2)				*		2	
11		22921407		ROTATION STOPPER				*		2	
12		22921308		THREAD TENSION NUT				*		2	
13		10124204		THREAD TENSION POST A				*		1	
14		10741106		FIRST THREAD TENSION PLATE				*		2	
15		22945505		THREAD TENSION SPRING				*		1	
16		22945703		THREAD TENSION NUT				*		1	
17		21441100		TENSION RELEASE PLATE				*		1	
18		SS4080620TP		SCREW 1/8-44 L=6				*		1	
19		SD0470281SP		HINGE SCREW D=4.7 H=2.8				*		2	
20		NS6110310SP		NUT 11/64-40				*		1	
21		D3162555B00		THREAD GUIDE				*		1	
22		PS0600502KP		SPRING PIN						1	
23		SS7110910TP		SCREW 11/64-40 L=8.5						2	
24		21348206		TENSION RELEASE BAR	SELECTIVE PARTS					1	
25		10321107		TENSION RELEASE BAR	SELECTIVE PARTS					1	
26		23006406		TENSION RELEASE BAR						1	

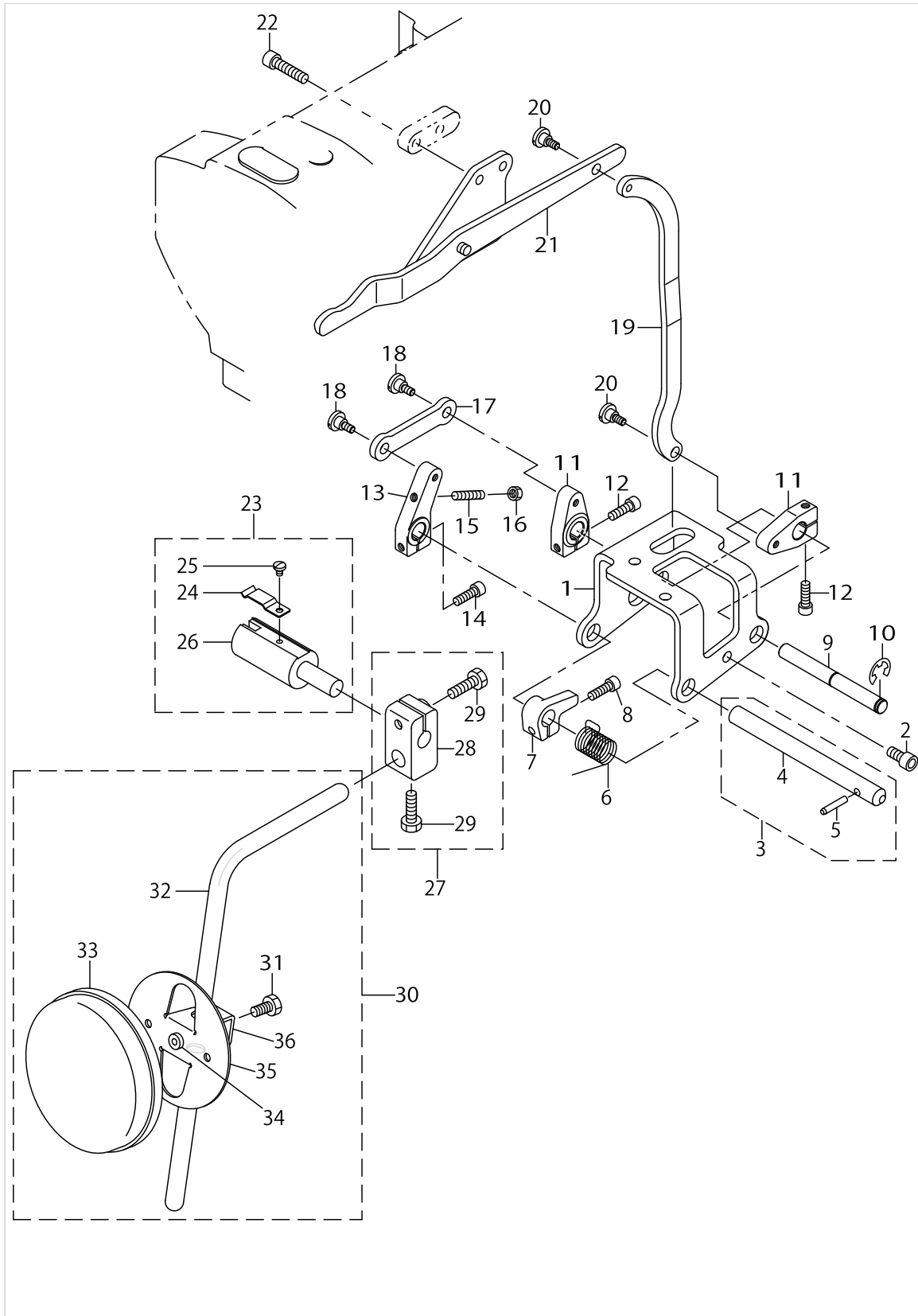
LOWER THREAD WINDER MECHANISM COMPONENTS



LOWER THREAD WINDER MECHANISM COMPONENTS

No.	Supply Code	Parts No.	Replacement	Parts name	Remarks	Choice	Step	Level	Cons	Qty	Rep. QTY
1		21357967		BOBBIN DEVICE ASM.						1	
2		22537658		BOBBIN FITTING BASIS COMPL.				*		1	
3		21357959		BOBIN SHAFT COMPL.				*		1	
4		22538151		BOBBIN CAM SHAFT COMPL.				*		1	
5		23636202		BOBBIN LEVER				*		1	
6		21356001		ADJUSTING PLATE				*		1	
7		B152989000CA		PRESSUR FOOT SPRING				*		1	
8		10618304		VERTICAL ROLLER WASHER				*		2	
9		21358205		RUBBER RING				*		1	
10		B3205210000		CUSHION				*		1	
11	R	B1148555000	22912109	SPRING				*		1	1.00
12		RC0560711KP		RETAINING RING				*		1	
13		RE0500000K0		E-RING				*		1	
14		RO092270200		RUBBER RING				*		1	
15		SS7091410SP		SCREW 9/64-40 L=13.5				*		1	
16		SS6090520SP		SCREW 9/64-40 L= 5.0				*		1	
17		14512503		BOBBIN ADJUSTING PLATE				*		1	
18		SS6110810TP		SCREW 11/64-40 L=8						3	
19		10704807		BOBBIN FRICTION WHEEL						1	
20		SM8050602TP		SCREW M5 L=6						2	
21		10502300		THREAD CUTTER						1	
22	R	SS6090620SP	SS6090620TP	SCREW 9/64-40 L=6						2	1.00
23		21355755		LOWER THREAD GUIDE ASM.						1	
24	R	21355706	21355755	FITTING BASE				*		1	1.00
25		D3162555B00		THREAD GUIDE				*		1	
26		NS6110310SP		NUT 11/64-40				*		1	
27		22945505		THREAD TENSION SPRING				*		1	
28		40113092		THREAD TENSION DISK				*		2	
29	R	21378708	21355755	THREAD TENSION POST				*		1	1.00
30		22945703		THREAD TENSION NUT				*		1	
31		SM6040800SP		SCREW						2	
32		22538706		PACKING						1	

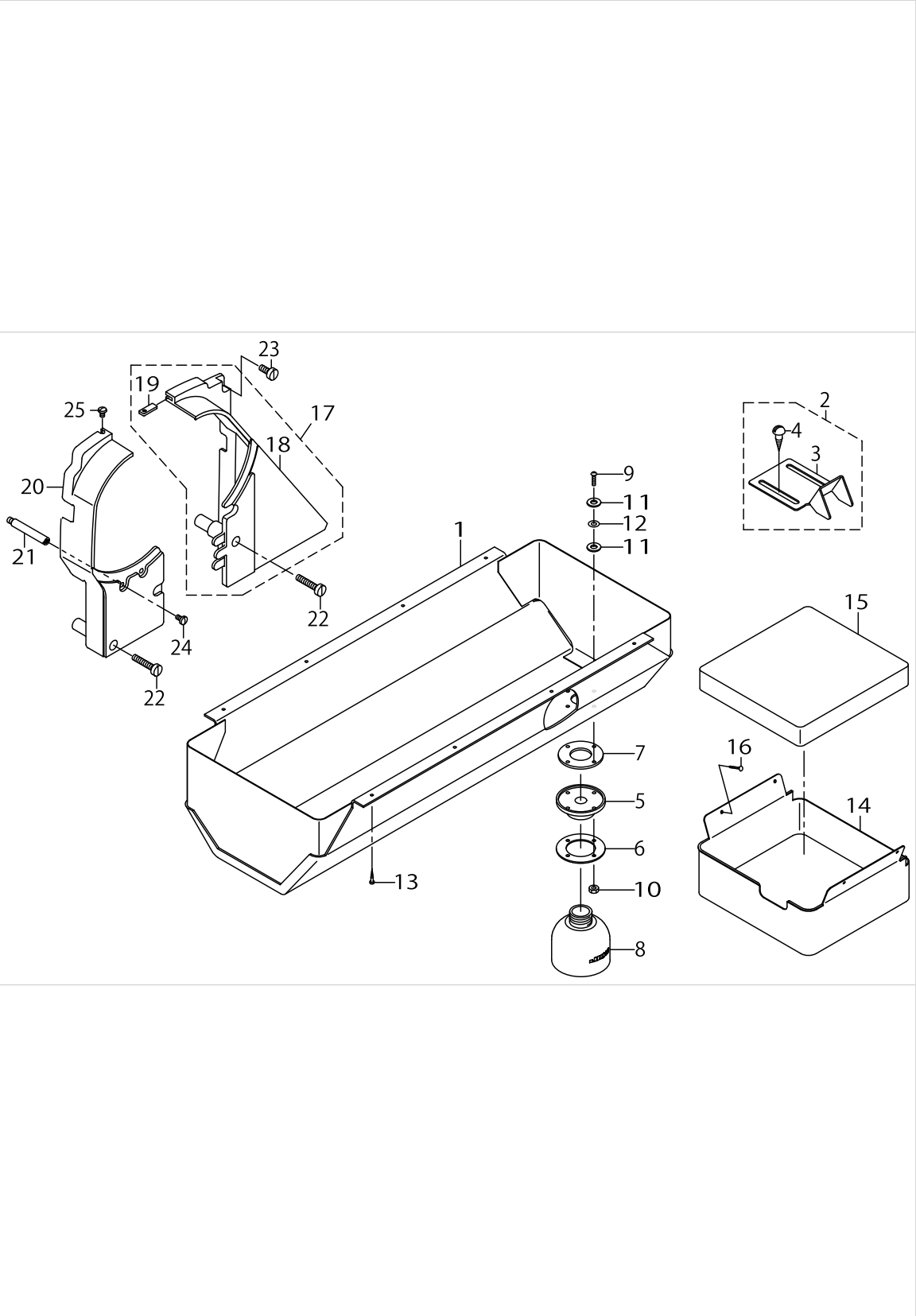
KNEE LIFTING COMPONENTS



KNEE LIFTING COMPONENTS

No.	Supply Code	Parts No.	Replacement	Parts name	Remarks	Choice	Step	Level	Cons	Qty	Rep. QTY
1		21343207		KNEE LIFTER SHAFT BASIS						1	
2		SM6061202TP		SCREW M6 L=12						3	
3		21342555		KNEE LIFTER SHAFT A ASM.						1	
4	R	21342506	21342555	KNEELIFTERSCHAFTA				*		1	1.00
5	R	21342605	21342555	KNEE LIFTER SHAFT PIN				*		1	1.00
6		21343702		KNEE LIFTER SHAFT A SPRING						1	
7		21343801		KNEE LIFTER SPRING RACK						1	
8		SM6051602TP		SCREW M5X0.8 L=16						1	
9		21342704		KNEELIFTERSCHAFTB						1	
10		RE0800000K0		E-SHAPED SNAP RING (8MM)						1	
11		21343009		KNEELIFTERLEVERB						2	
12		SM6052002TP		SCREW M5 L=20						2	
13		21342803		KNEELIFTERLEVERA						1	
14		SM6052002TP		SCREW M5 L=20						1	
15		SM8052502TP		SCREW M5X0.8 L=25						1	
16		NM6050001SD		NUT M5X0.8						1	
17		21342902		KNEE LIFTER LINK						1	
18		SD0700451TP		HINGE SCREW D=7 H=4.5						2	
19		21343405		KNEE LIFTER CONNECTING PLATE						1	
20		SD0700451TP		HINGE SCREW D=7 H=4.5						2	
21		21343355		KNEE LIFTER LEVER ASM.						1	
22		SM6062502TP		SCREW M6 L=25						2	
23		22863252		KNEE LIFTER JOINT ASM.						1	
24		B3428521000		PRESSER SPRING				*		1	
25		SS7090510SP		SCREW 9/64-40 L=4.6				*		1	
26	R	22863203	22863252	KNEE LIFTER JOINT				*		1	1.00
27		22932453		BRACKET ASM.						1	
28	R	22932404	22932453	BRACKET				*		1	1.00
29		22934707		SCREW				*		2	
30		21343157		KNEE PRESS PLATE ASM.						1	
31		SM9061203SE		SCREW M6 L=12				*		1	
32	R	21343108	21343157	KNEE PRESS LEVER				*		1	1.00
33		22934509		KNEE PAD PLATE COVER				*		1	
34		22934400		KNEE PAD PLATE RUBBER				*		1	
35		22934202		KNEE PAD PLATE				*		1	
36		22934301		KNEE PAD PLATE SUPPORT				*		1	

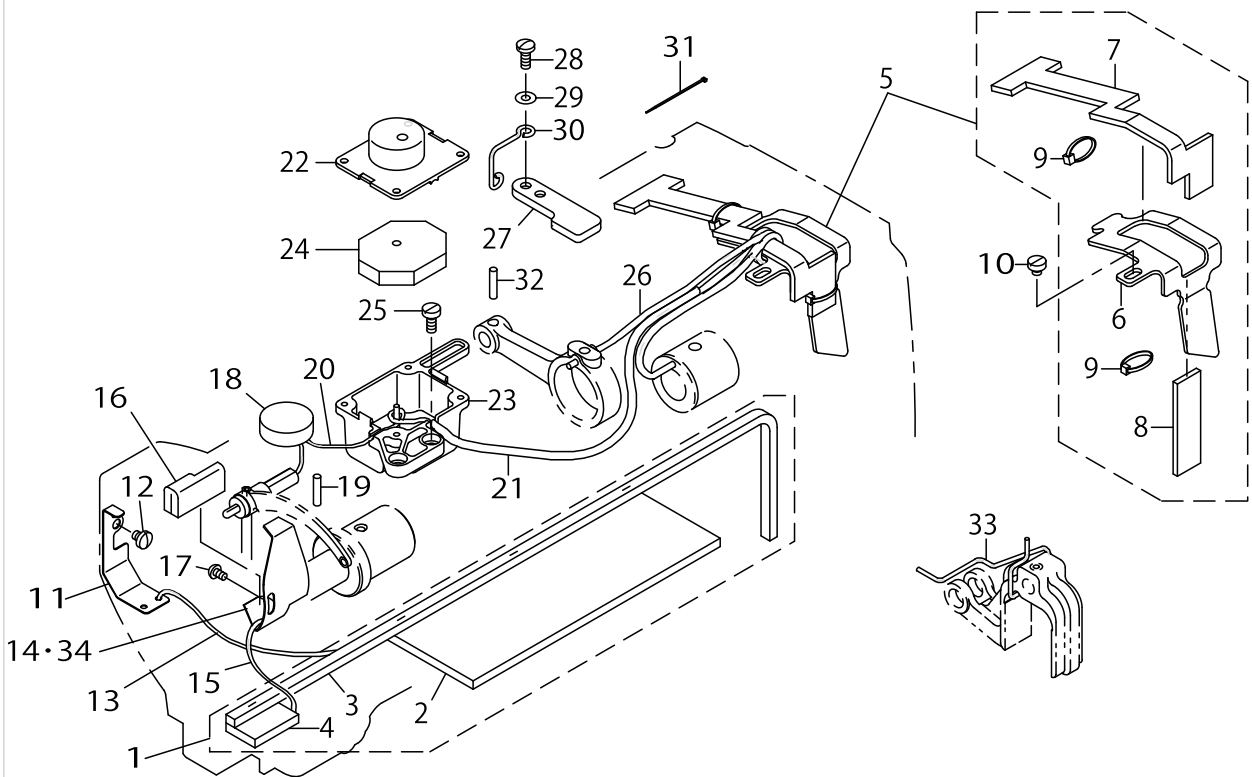
BELT COVER & OIL RESERVOIR COMPONENTS



BELT COVER & OIL RESERVOIR COMPONENTS

No.	Supply Code	Parts No.	Replacement	Parts name	Remarks	Choice	Step	Level	Cons	Qty	Rep. QTY
1		21351457		OIL RESERVOIR ASM.						1	
2		10755254		BELT COVER C ASM. (FOR JE)						1	
3		10755205		BELT COVER C(JE)				*		1	
4	R	SK3482500SC	SK3482501SE	WOOD SCREW D=4.8 L=25				*		2	1.00
5		40025299		OIL POT JOINT						1	
6		21379003		OIL MANAGEMENT WASHER						1	
7		B8112220000		OIL SEAL						1	
8		40025300		OIL POT						1	
9		SM3031401SE		SCREW M3X0.5 L=14						4	
10		NM6030001SC		NUT M3						4	
11		10748101		OIL REMOVING SET- SCREW PACKING						8	
12		WP0320501SC		WASHER M3						4	
13		SK3241601SC		WOOD SCREW D=2.4 L=16						8	
14		B1839563000		OIL RECEIVING COVER						1	
15		B1841563000		OIL DRIP FELT						1	
16		10539906		SET NAIL						4	
17		21351150		BELT COVER ASM. (RIGHT)						1	
18	R	21351101	21351150	BELT COVER (RIGHT)				*		1	1.00
19		21351002		BELT COVER AUXILIARY PLATE				*		1	
20		21351200		BELT COVER (LEFT)						1	
21		D8232241E00		BELT COVER SUPPORT A						1	
22		SS6153040SP		SCREW 15/64-28L=30						2	
23		SS6151440SP		SCREW 15/64-28L=14						1	
24		SS7110840SP		SCREW 11/64-40 L=7.8						1	
25		SS5110740TP		SCREW 11/64-40 L=6.5						1	

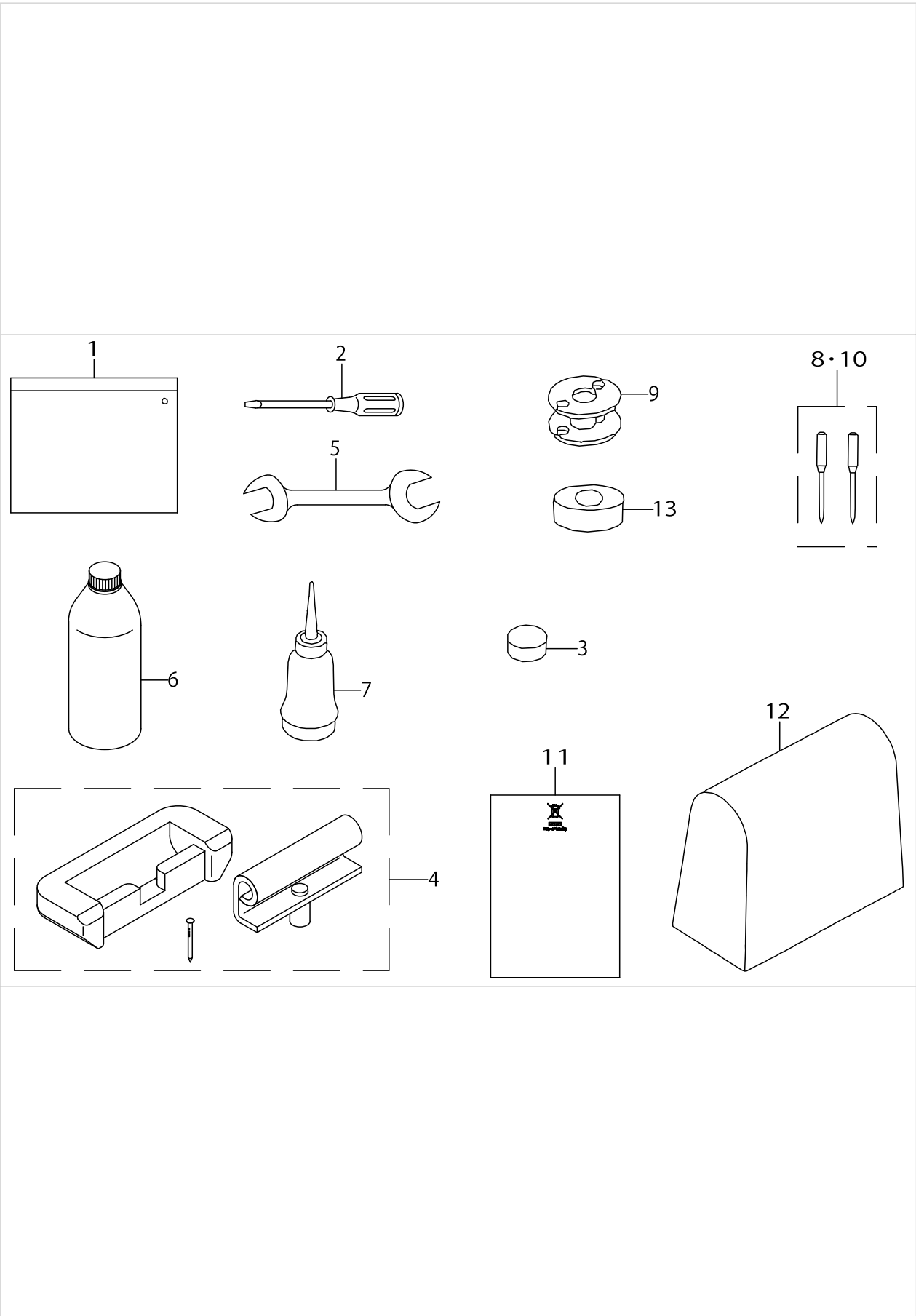
LUBRICATION COMPONENTS



LUBRICATION COMPONENTS

No.	Supply Code	Parts No.	Replacement	Parts name	Remarks	Choice	Step	Level	Cons	Qty	Rep. QTY
1		21345756		ARM ONCE THROU- GH OIL FELT ASM.						1	
2		21345707		ARM ONCE THROUGH FELT A				*		1	
3		21345806		ARM ONCE THROUGH FELT B				*		1	
4		21345905		FACE ONCE THROUGH FELT				*		1	
5		21346358		FELT SUPPORT ASM.						1	
6		21346309		FELT SUPPORT				*		1	
7		21346507		FEED CHANGE FELT				*		1	
8		21346408		FELT				*		1	
9		EA9500B0000		CLIP CV-70S				*		2	
10		SS6110480SP		SCREW 11/64-40 L=4.3						1	
11		21340708		UPPER FEED OIL BAR PLATE						1	
12		SS7110510SP		SCREW 11/64-40 L=5						1	
13		CQ202000000		OIL WICK						.2	
14		B1140051000		TAKE-UP OIL SPLASHER	FOR LU-1508N					1	
15		CQ202000000		OIL WICK						.25	
16		21347208		TAKE-UP LUBRICATION FELT						1	
17		SS3090610SP		SCREW 9/64-40 L=6						1	
18		21346002		FELT						1	
19		B1412051000		FELT						1	
20		CQ252000000		OIL WICK						.3	
21		BT0500300EA		OIL TUBE						.25	
22		21407507		OIL TANK A						1	
23		21407606		OIL TANK B						1	
24		21407705		FELT						2	
25		SS6111010TP		SCREW 11/64-40 L=9.5						2	
26		CQ202000000		OIL WICK						.2	
27		21339700		UPPER FEED STOPPER PLATE (B)						1	
28		SS7111120TP		SCREW						2	
29		WP0450801SD		WASHER 4.5X10X0.8						1	
30		22620504		OIL WICK HOLDER						1	
31		EA9500B0100		CABLE BAND						1	
32		PS0500202KP		SPRING PIN 5X20						1	
33		CQ202000000		OIL WICK	FOR LU-1508NH					.21	
34		21347000		TAKE-UP OIL PLATE	FOR LU-1508NH					1	

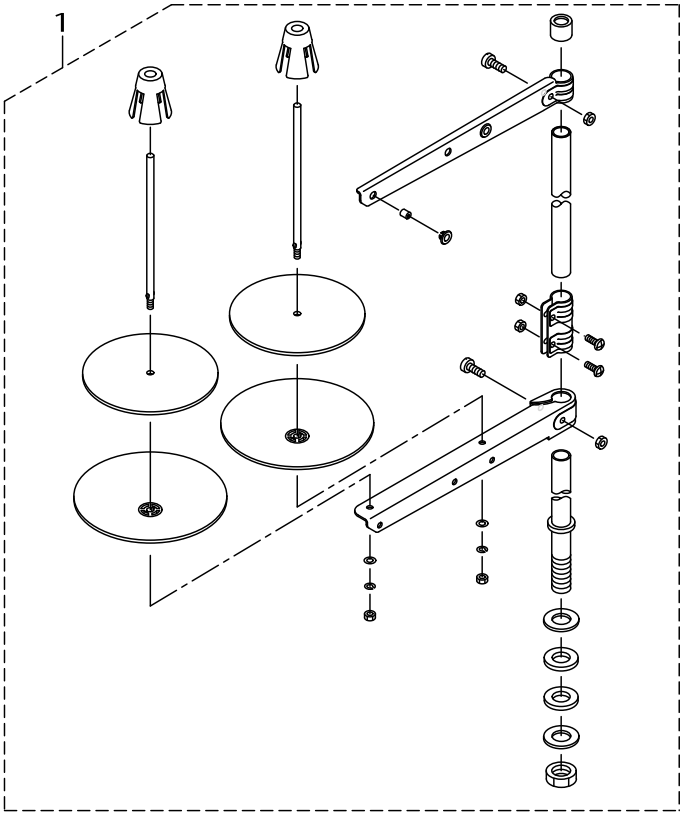
ACCESSORIES PARTS COMPONENTS



ACCESSORIES PARTS COMPONENTS

No.	Supply Code	Parts No.	Replacement	Parts name	Remarks	Choice	Step	Level	Cons	Qty	Rep. QTY
1		21413158		ACCESSORY BAG ASM.						1	
2		22933006		SCREW DRIVER LARGE						1	
3		B8206012000		FELT CUSHION						4	
4		21413257		RUBBER HINGE ASM.						1	
5		B9113012000		WRENCH (9X10)						1	
6		MDFRX2700C0		NEW DEFRIX OIL NO.2(700CC)						1	
7		B91210120A0		OILER ASM.						1	
8		MC0190R1602		NEEDLE 190R #160-2	FOR LU-1508NH					1	
9		B9117563000		BOBBIN						1	
10		M13517B1602		NEEDLE 135X17 #160-2						1	
11		CM600100201		WEEE INFORMATION SHEET						1	
12		22933303		VINYL COVER						1	
13		B8209012000		RUBBER CUSHION						4	

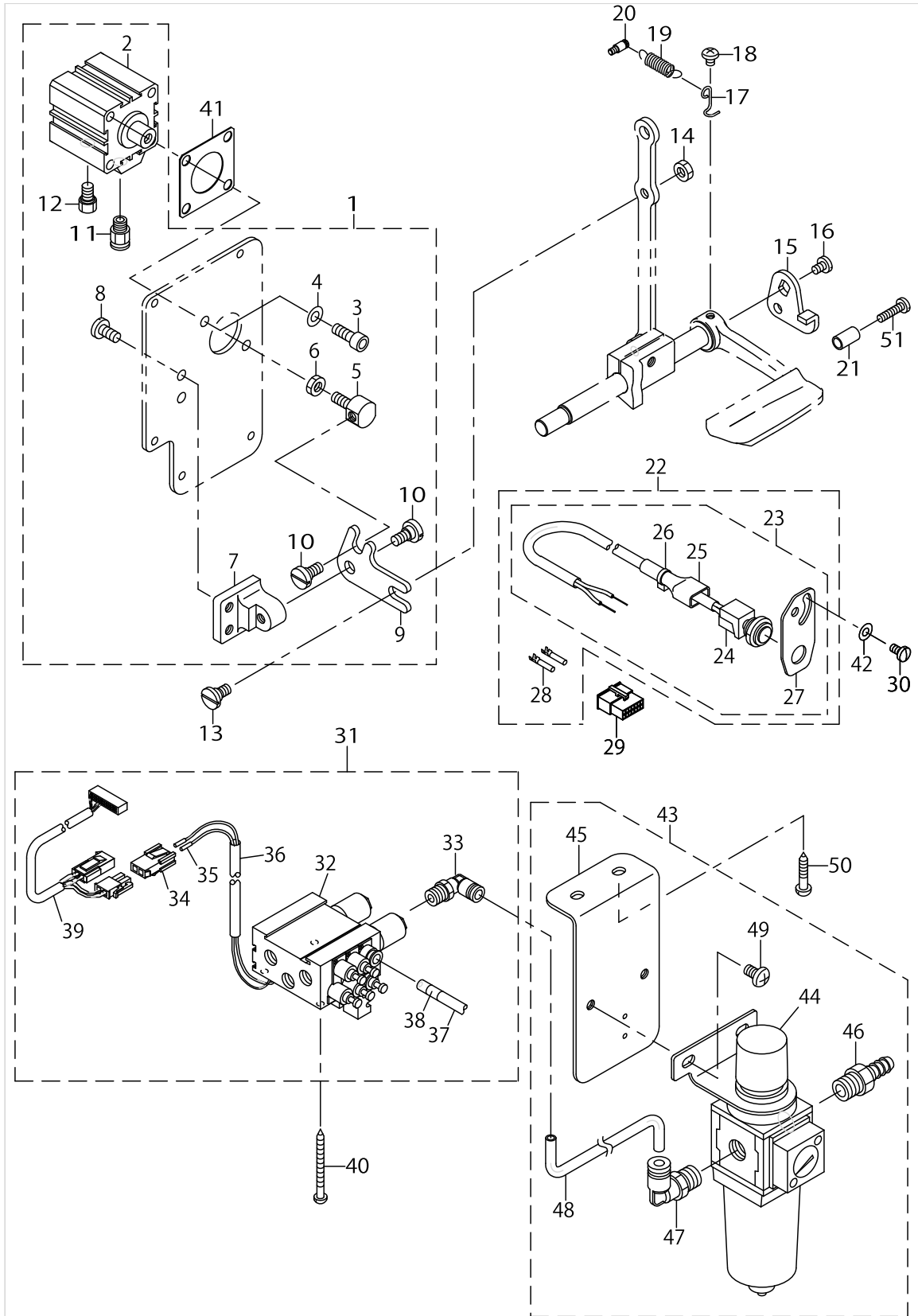
THREAD STAND COMPONENTS



THREAD STAND COMPONENTS

No.	Supply Code	Parts No.	Replacement	Parts name	Remarks	Choice	Step	Level	Cons	Qty	Rep. QTY
1		40096354		THREAD STAND ASM.						1	

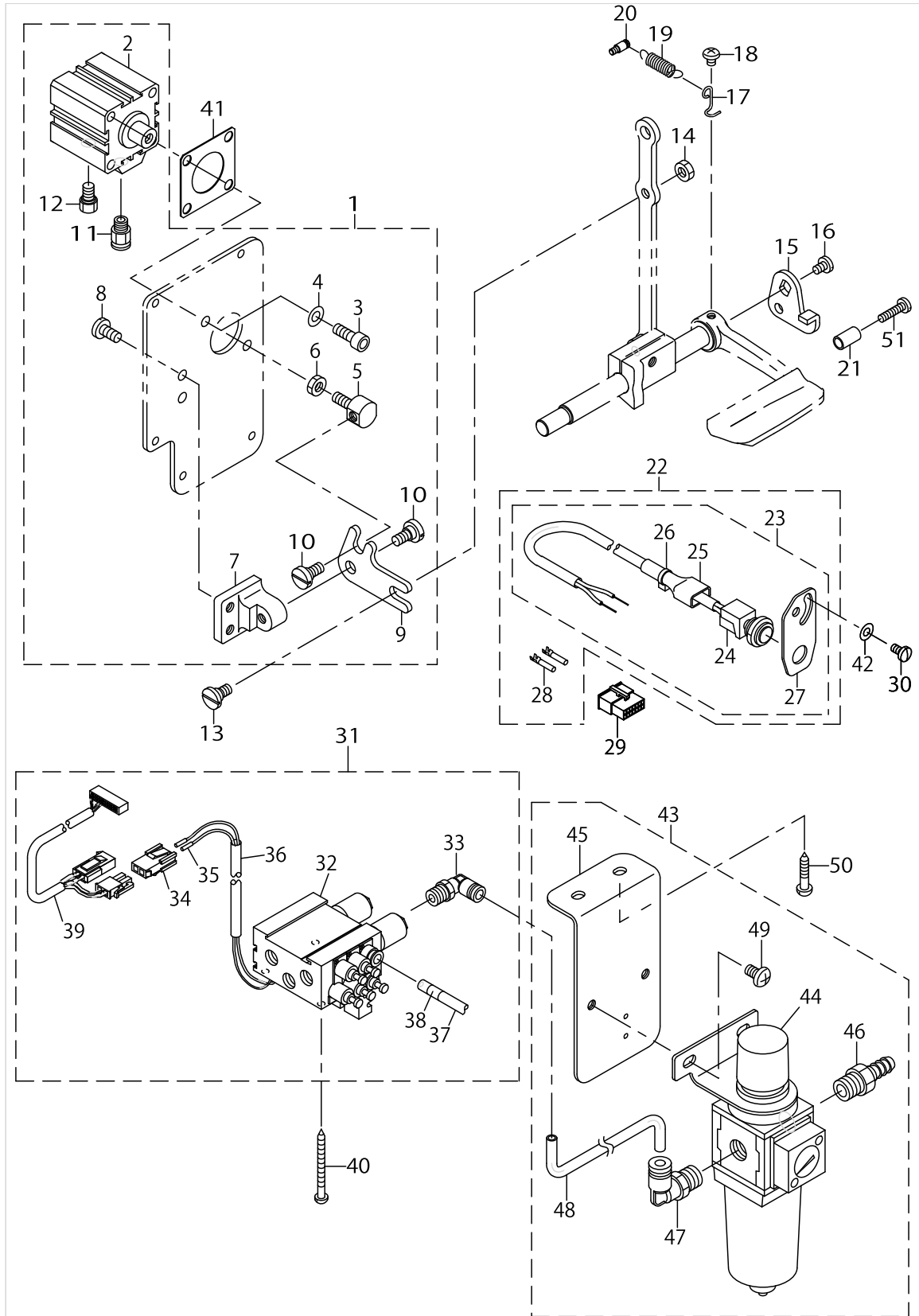
AUTOMATIC BACK COMPONENTS (OPTIONAL PARTS)



AUTOMATIC BACK COMPONENTS (OPTIONAL PARTS)

No.	Supply Code	Parts No.	Replacement	Parts name	Remarks	Choice	Step	Level	Cons	Qty	Rep. QTY
1		21348958		WINDOW PLATE ASM.						1	
2		PA320150200		JIG CYLINDER				*		1	
3		SM6061602TP		SCREW M6 L=16				*		2	
4		WP0641601SD		WASHER M6				*		2	
5		21348602		CYLINDER CONNECTING SCREW				*		1	
6		NM6060003SC		NUT M6				*		1	
7		21348503		FITTING BASE				*		1	
8		SS7151210SP		SCREW15/64-28L=12				*		2	
9		21348701		BACKWARD FEED LINK				*		1	
10		SD0800352SP		HINGE SCREW D=8 H=3.5				*		2	
11		PJ301065104		HALF UNION				*		1	
12		PX015101000		MUFFLER				*		1	
13		SD0800402TP		HINGESCREWD=8H=4						1	
14		NS6150430SP		NUT 15/64-28						1	
15		22656102		REVERSE FEED LINK (1)						1	
16		SS7120760SP		SCREW 3/16-28 L=7.0						1	
17		22656003		SPRINGSUSPENSION						1	
18		SS4120615SP		SCREW 3/16-28 L=6						1	
19		26226209		SPRING						1	
20		40023289		SPRINGSUSPENSION						1	
21		22952501		BACK LEVER STOPPER						1	
22		40056366		BT SWITCH C ASM.						1	
23		40056365		BT SWITCH B ASM.				*		1	
24		40056364		BT SWITCH A ASM.				*		1	
25		GTS01037000		CONNECTOR COVER				*		1	
26		EA9500B0100		CABLE BAND				*		1	
27	R	21388608	21388665	SWITCH FITTING PLATE				*		1	1.00
28		HK03464000A		TERMINAL FEMALE				*		2	
29		HK034610140		HOUSING 14P						1	
30		SS7110840SP		SCREW 11/64-40 L=7.8						2	
31		40107488		AIRAPPARATUSASM.						1	
32		40105335		ELECTROMAGNETIC VALVE (F)				*		1	
33		GAK29010000		ELBOW B				*		1	
34		HK034620020		2P PLUG				*		1	
35		HK03463000A		TERMINAL				*		2	
36		GAKA1503000		INSULATION TUBE				*		1	
37		BT0600401EB		TUBE				*		1.3	
38		HX002950000		WIRE MARK(1)				*		4	
39		40105811		CORD ASM.				*		1	
40		SK3385001SE		WOOD SCREW D=3.8 L=50						4	
41		21349105		CYLINDER PACKING						1	
42		WP0501016SD		WASHER 5X10.5X1						2	
43		40038722		FILTER REGULATAR ASM.						1	
44		PF0552170A0		FILTER REGULATOR				*		1	
45		40038723		FILTER REGULATOR MOUNTING PLATE				*		1	
46		40107618		NIPPLE				*		1	

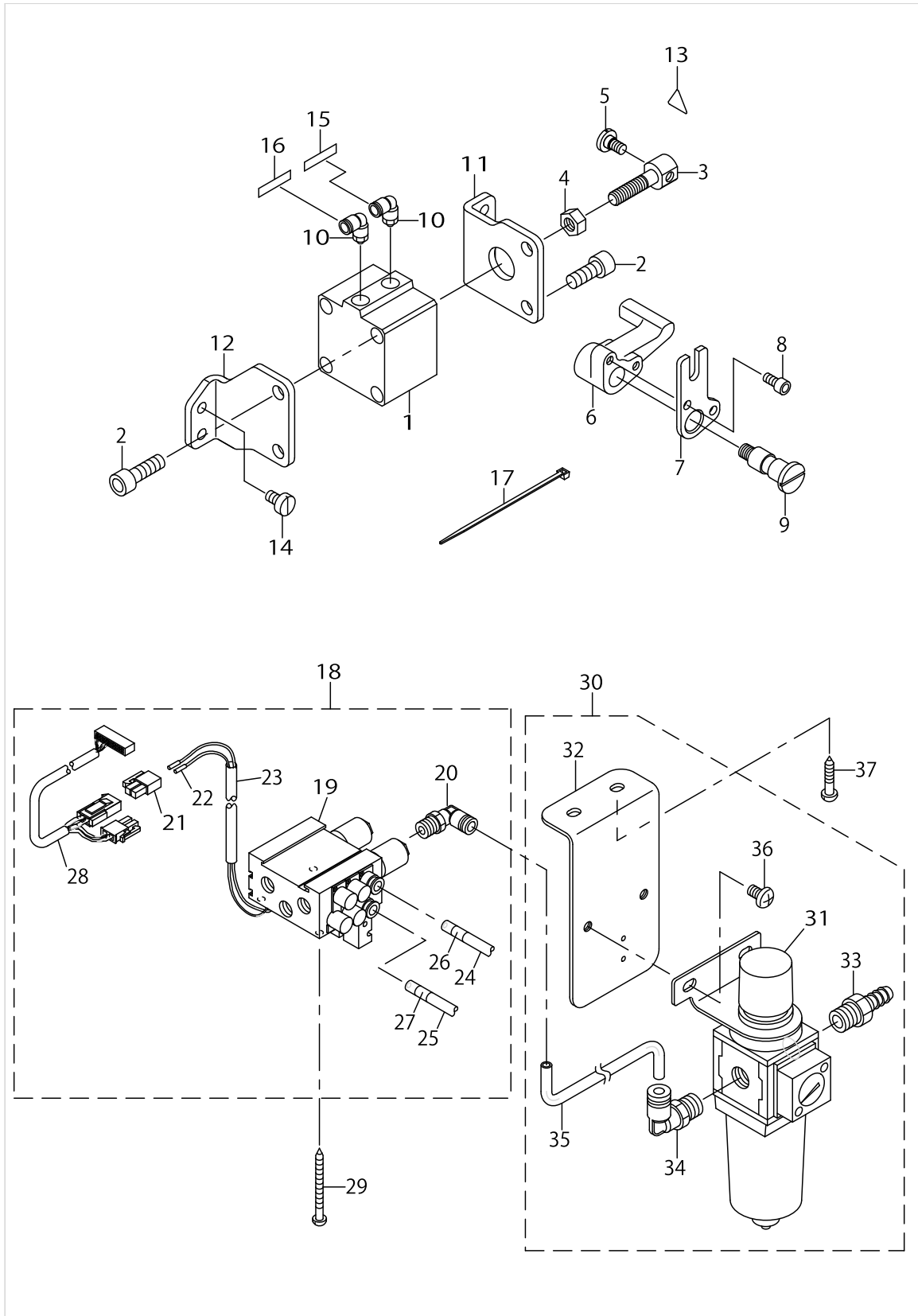
AUTOMATIC BACK COMPONENTS (OPTIONAL PARTS)



AUTOMATIC BACK COMPONENTS (OPTIONAL PARTS)

No.	Supply Code	Parts No.	Replacement	Parts name	Remarks	Choice	Step	Level	Cons	Qty	Rep. QTY
47		GAK29009000		ELBOW				*		1	
48		BT0600401EB		TUBE				*		0.28	
49		SM4061001SB		SCREW M6 L=10				*		2	
50		SK3482501SE		WOOD SCREW D=4.8 L=25				*		2	
51	R	SS7111810SP	SS7111810TP	SCREW11/64-40L=18						1	1.00

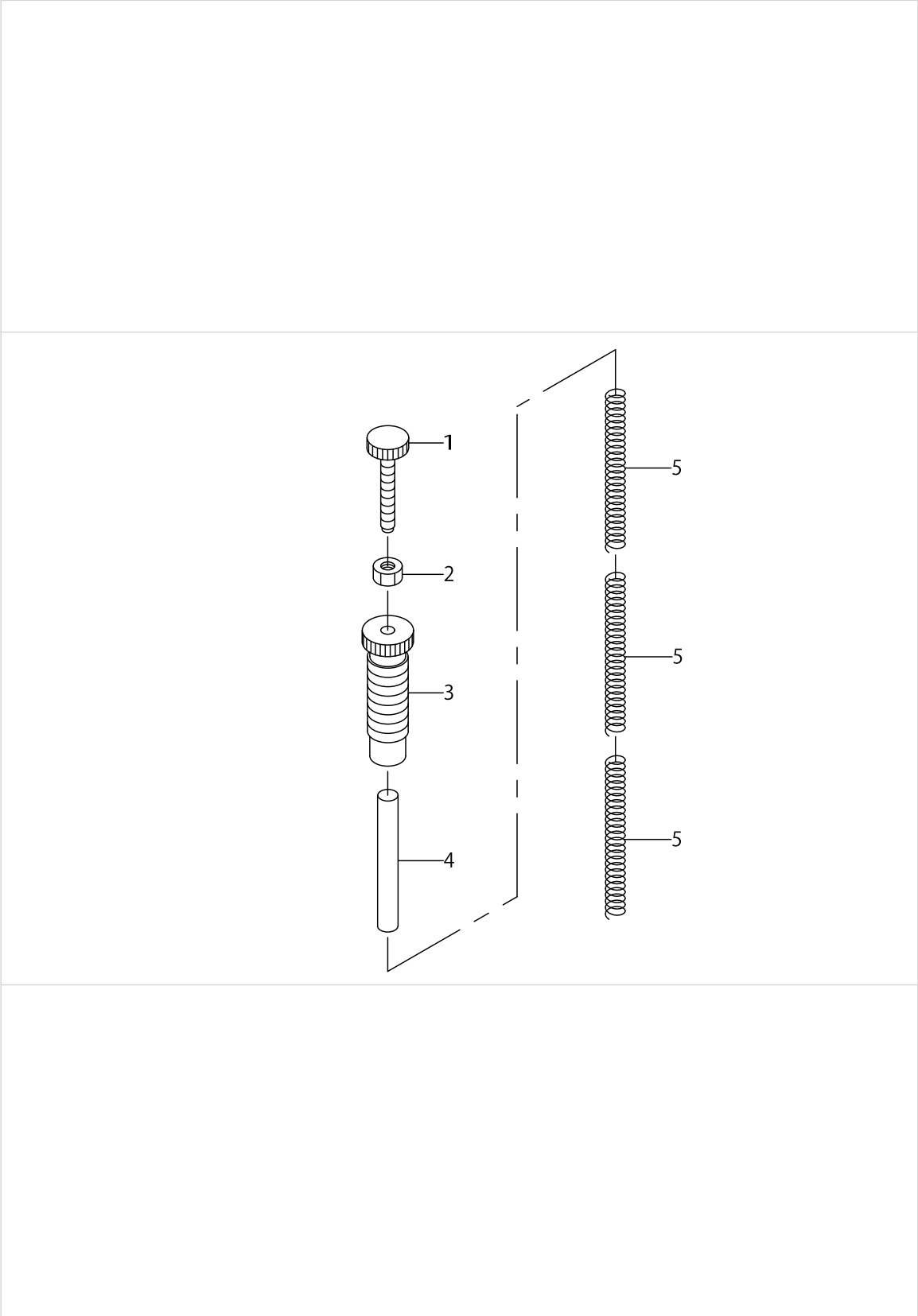
AUTOMATIC PRESSER LIFTING MECHANISM COMPONENTS (OPTIONAL PARTS)



AUTOMATIC PRESSER LIFTING MECHANISM COMPONENTS (OPTIONAL PARTS)

No.	Supply Code	Parts No.	Replacement	Parts name	Remarks	Choice	Step	Level	Cons	Qty	Rep. QTY
1		PA400150100		AIR CYLINDER						1	
2		SM6082002TP		SCREW M8 L=20						4	
3		21356506		CYLINDER CONNECTING SCREW						1	
4		NM6080001SE		NUT M8						1	
5		SD0720331SP		HINGE SCREW D=7.24 H=3.3						1	
6		21356605		LEVER A						1	
7		21356803		LEVER B						1	
8		SM6051002TP		SCREW M5X0.8 L=10						2	
9		21356704		SHAFT						1	
10		PJ304065101		ELBOW UNION 6XPT1/8						2	
11		21356308		CYLINDER STAY(FRONT)						1	
12		21356407		CYLINDER STAY(REAR)						1	
13		CM300200001		ATTENTION SEAL						1	
14		SS6151040SP		SCREW15/64-28L=10						4	
15		HX002950000		WIRE MARK(1)						1	
16		HX00295000A		WIRE MARK(2)						1	
17		EA9500B0100		CABLE BAND						3	
18		40103003		AIR APPARATUS(P)ASM.						1	
19		40038904		MAGNETIC VALVE(P)				*		1	
20		GAK29010000		ELBOW B				*		1	
21		HK034610020		2-POLE NYLON PLUG				*		1	
22		HK03464000A		TERMINAL FEMALE				*		2	
23		GAKA1503000		INSULATION TUBE				*		1	
24		BT0600401EB		TUBE				*		1.3	
25		BT0600401EB		TUBE				*		1.3	
26		HX00295000A		WIRE MARK(2)				*		4	
27		HX00295000B		WIRE MARK(3)				*		4	
28		40105811		CORD ASM.				*		1	
29		SK3385001SE		WOOD SCREW D=3.8 L=50						4	
30		40038722		FILTER REGULATAR ASM.						1	
31		PF0552170A0		FILTER REGULATOR				*		1	
32		40038723		FILTER REGULATOR MOUNTING PLATE				*		1	
33		40107618		NIPPLE				*		1	
34		GAK29009000		ELBOW				*		1	
35		BT0600401EB		TUBE				*		0.28	
36		SM4061001SB		SCREW M6 L=10				*		2	
37		SK3482501SE		WOOD SCREW D=4.8 L=25						2	

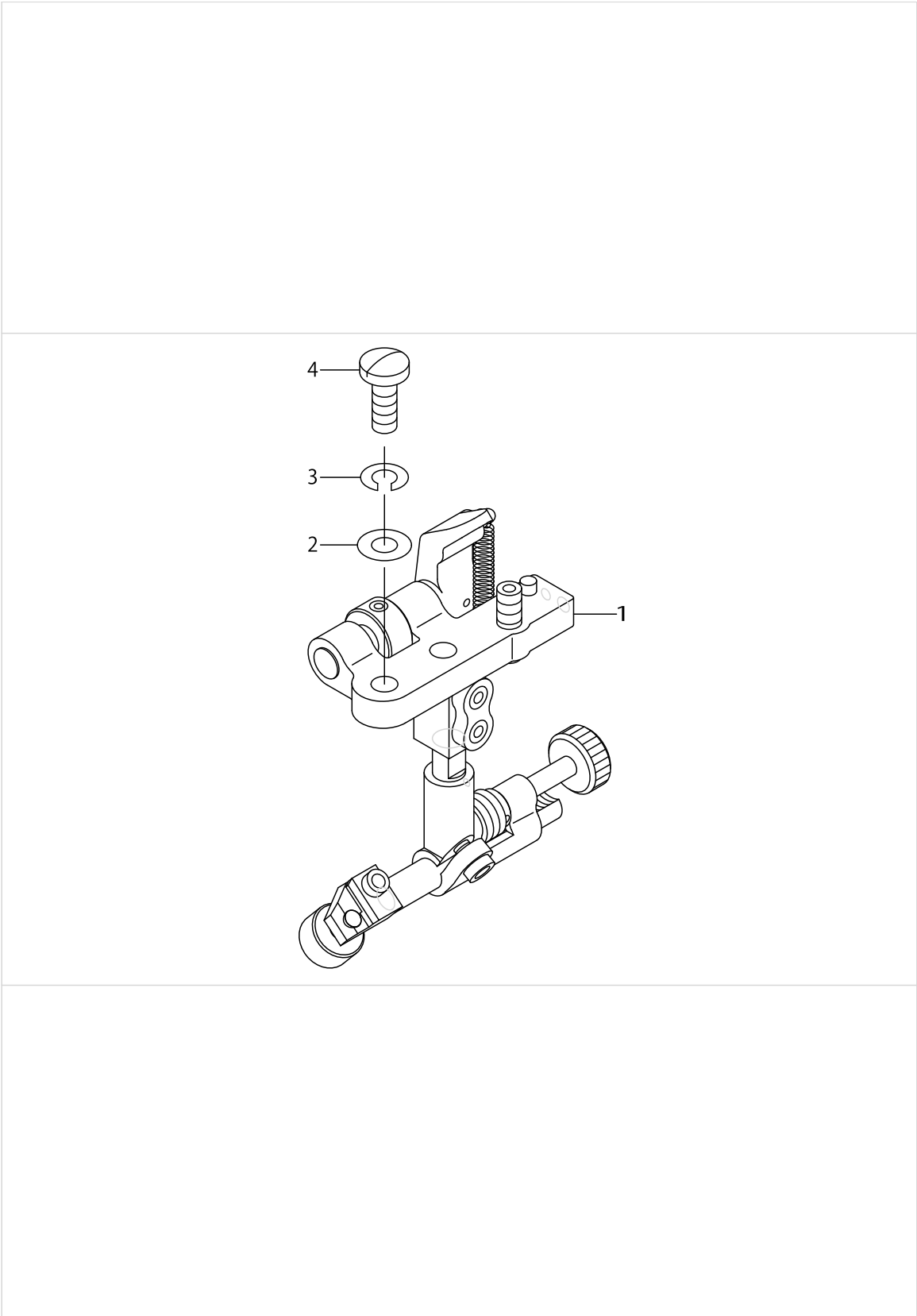
OPTIONAL PARTS (ADDITIONAL SPRING FOR PRESSER BAR)COMPONENTS



OPTIONAL PARTS (ADDITIONAL SPRING FOR PRESSER BAR)COMPONENTS

No.	Supply Code	Parts No.	Replacement	Parts name	Remarks	Choice	Step	Level	Cons	Qty	Rep. QTY
1		21006507		ADJUST SCREW B						1	
2		NS6110530SP		NUT 11/64-40						1	
3		21006408		ADJUST SCREW A						1	
4		21342407		GUIDE SHAFT						1	
5		21006002		ADJUST SPRING B						3	


















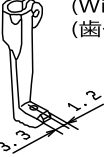


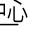
SUSPENSION SQUARE (OPTION) COMPONENTS



SUSPENSION SQUARE (OPTION) COMPONENTS

No.	Supply Code	Parts No.	Replacement	Parts name	Remarks	Choice	Step	Level	Cons	Qty	Rep. QTY
1		MAH152010A0		RULER						1	
2		WP0621016SD		WASHER 6.2X13X1						2	
3		WS0610002KN		SPRING WASHER 6.1X12.2X1.5						2	
4		SS7151610SP		SCREW15/64-28L=16						2	

OPTIONAL PARTS COMPONENTS (1)

Item	Walking foot		Item	Presser foot						
	品名	中足		品名	外足					
For piping パイピング用	 (Commonly used for every size of presser foot) (各サイズ共用)		 		Ref.No.	Part No.	Size(mm)	Ref.No.	Part No.	
					1	B1478-245-000	4.4mm(5/32)	12	B1530-245-0AC	
							4.8mm(3/16)	13	B1530-245-0AD	
							6.4mm(1/4)	14	B1530-245-0AF	
							7.9mm(5/16)	15	B1530-245-0AH	
							9.5mm(3/8)	16	B1530-245-0AK	
	 		 		Size(mm)	Ref.No.	Part No.	Size(mm)	Ref.No.	Part No.
					4.4mm(5/32)	2	B1478-245-000	4.4mm(5/32)	17	B1531-245-0AC
					4.8mm(3/16)	3	B1479-245-00D	4.8mm(3/16)	18	B1531-245-0AD
					6.4mm(1/4)	4	B1479-245-00F	6.4mm(1/4)	19	B1531-245-0AF
7.9mm(5/16)					5	B1479-245-00H	7.9mm(5/16)	20	B1531-245-0AH	
9.5mm(3/8)							9.5mm(3/8)			
 		 		Size(mm)	Ref.No.	Part No.	Size(mm)	Ref.No.	Part No.	
				4.4mm(5/32)	6	B1474-245-00C	4.4mm(5/32)	21	B1527-245-0AC	
				4.8mm(3/16)	7	B1474-245-00D	4.8mm(3/16)	22	B1527-245-0AD	
				6.4mm(1/4)	8	B1474-245-00F	6.4mm(1/4)	23	B1527-245-0AF	
				7.9mm(5/16)	9	B1474-245-00H	7.9mm(5/16)	24	B1527-245-0AH	
				9.5mm(3/8)	10	B1474-245-00K	9.5mm(3/8)	25	B1527-245-0AK	
	 (With teeth) (歯付き)		 (With teeth) (歯付き)		Ref.No.	Part No.	Ref.No.	Part No.		
					11	103-38309	26	B1525-563-SA0		

OPTIONAL PARTS COMPONENTS (1)

No.	Supply Code	Parts No.	Replacement	Parts name	Remarks	Choice	Step	Level	Cons	Qty	Rep. QTY
1		B1478245000		INNER PRESSER						1	
2		B1478245000		INNER PRESSER						1	
3		B147924500D		CENTER PRESSER FOOT 3/16						1	
4		B147924500F		BACK CUT INNER PRESSER 1/4						1	
5		B147924500H		BACK CUT INNER PRESSER 5/16						1	
6		B147424500C		INNER PRESSER 5/32						1	
7		B147424500D		INNER PRESSER (BLADE) 3/16						1	
8		B147424500F		WALKING FOOT F						1	
9		B147424500H		INNER PRESSER 5/16						1	
10		B147424500K		CENTER PRESSER FOOT 3/8						1	
11	D	10338309		UPPER FEED FOOT						1	
12		B15302450AC		OUTER PRESSER ASM. 5/32						1	
13		B15302450AD		OUTER PRESSER F- OOT ASM. 3/16.						1	
14		B15302450AF		OUTER PRESSER FOOT 1/4 ASM.						1	
15		B15302450AH		OUTER PRESSER F- OOT ASM. (5/16)						1	
16		B15302450AK		OUTER PRESSER FOOT ASM. (3/8)						1	
17		B15312450AC		OUTER PRESSER F- OOT ASM. (5/32)						1	
18		B15312450AD		OUTER PRESSER FOOT ASM. 3/16						1	
19		B15312450AF		OUTER PRESSER ASM. 1/4						1	
20		B15312450AH		FEEDING FRAME 5/16 ASM.						1	
21		B15272450AC		OUTER PRESSER FOOT ASM. 5/32						1	
22		B15272450AD		FEEDING FRAME 3/16 ASM.						1	
23		B15272450AF		OUTER PRESSER ASM. 1/4						1	
24		B15272450AH		OUTER PRESSER FOOT ASM. 5/16						1	
25		B15272450AK		OUTER PRESSER FOOT ASM.3/8						1	
26		B1525563SA0		PRESSER FOOT ASM.						1	

OPTIONAL PARTS COMPONENTS (2)

Item 品名	Walking foot 中足	Presser foot 外足	Item 品名	Throat plate 針板	Feed dog 送り歯
Ref.No.	1	7	Ref.No.	12	14
Part No.	MAQ-09307000	MAQ-093080A0	Part No.	B1109-562-A00	B1613-562-A00
		/			
Ref.No.	2		Ref.No.	13	15
Part No.	MAN-10452000	Part No.	B1109-563-C00	B1613-563-C00	
			Item 品名		
Ref.No.	3	8	Feed driving eccentric 上下送り加		
Part No.	B1476-245-00A	B1529-245-0AA			
			Ref.No.	16	17
Ref.No.	4	9	Part No.	B1840-051-000	213-78104
Part No.	103-25306	103-25157			
Ref.No.	5	10			
Part No.	103-26205	103-26304			
Ref.No.	6	11			
Part No.	B1470-245-000	B1524-245-0A0			

OPTIONAL PARTS COMPONENTS (2)

No.	Supply Code	Parts No.	Replacement	Parts name	Remarks	Choice	Step	Level	Cons	Qty	Rep. QTY
1		MAQ09307000		WALKING FOOT						1	
2		MAN10452000		UPPER FEED FOOT						1	
3		B147624500A		INNER PRESSER						1	
4		10325306		WALKING FOOT						1	
5	D	10326205		UPPER FEED FOOT						1	
6	R	B1470245000	B14702450A0	WALKING FOOT						1	1.00
7		MAQ093080A0		PRESSER FOOT ASM.						1	
8		B15292450AA		OUTER PRESSER FOOT ASM. RIGHT						1	
9		10325157		PRESSER FOOT ASM.						1	
10		10326304		PRESSER FOOT						1	
11		B15242450A0		PRESSER FOOT ASM.						1	
12		B1109562A00		THROAT PLATE (WIDE)						1	
13		B1109563C00		THROAT PLATE						1	
14		B1613562A00		FEED (WIDE)						1	
15		B1613563C00		FEED DOG C						1	
16		B1840051000		FEED DRIVING ECCENTRIC						1	
17	R	21378104	21378153	FEED DRIVING ECCENTRIC						1	1.00

LIST FOR INFORMATION OF CHANGE

As to the place changed, refer to the corresponding Rev.No.
 When previous parts(Obsoleted part) and new parts(Added parts) are not interchangeable with each other:
 In this case, even obsoleted parts(D.) can be ordered with the obsoleted part number, so select the parts with changed dates and place your orders.

変更箇所は、該当Rev.No.版をご参照ください。
 部品の互換性がない変更の場合は、削除された品番でも、ご注文できます。

29359007
 No.1337-07 Rev.No.

*A:Added parts追加部品/D:Obsoleted parts削除部品/E:Erratum訂正

*	Rev. No.	Page 頁	Ref. No.	Parts No. 品 番	*	Rev. No.	Page 頁	Ref. No.	Parts No. 品 番
D	06	2	3	400-19114	A	07	2	3	401-52631
D	06	4	26	B1203-512-000	A	07	4	26	401-43083
D	06	4	36	B1309-055-000	A	07	4	36	401-13224
A					A	07	12	38	401-62860
D	06	20	2~24	-					

HOW TO MAKE USE OF THIS PARTS LIST

1.Explanation of codes

1)"*"mark.....means this part is changed from the previous parts book.

As to the details of the change, refer to the "List for information of change".

2)"#01".....refer to "Note" explanation at bottom of page.

2.Codes on the "Qty" column

- Each numeral indicates the number of parts required.
- "0.1" and "2.5" indicate the length (in meters) of the respective parts.

3.Parentheses mean that the corresponding part is a subpart that constructs an assembly part.

4.Dotted lines on the Figures indicate assembly parts.

1."注記"欄の記号説明

1) "*"印.....前回のパーツブックに比較して今回変更された部品を意味します。

変更内容は、"変更情報リスト"を参照してください。

2) "#01".....ページ下の"注記"の説明を参照してください。

2.数量欄の数字は、個数を表し、0.1、2.5等の数値は、長さ（単位メートル）を表します。

3.数量欄の（ ）は、組部品を構成している子部品であることを意味します。

4.イラストページの-----枠は、組構成であることを意味します。

NUMERICAL INDEX OF PARTS

PART NO	PAGE	REF NO.	PART NO	PAGE	REF NO.	PART NO	PAGE	REF NO.
10083202	18	57	21006002	46	5	21338306	16	29
10109700	22	13·41~ 48	21006408	46	3	21338603	10	18
10109809	22	13·41~ 48	21006507	46	1	21338801	10	20
10109908	22	16	21331202	2	11	21338900	10	22
10110906	24	13·41~ 48	21331301	2	4	21339007	10	28
10111003	24	13·41~ 48	21331608	2	18	21339056	10	27
10111102	22	13·41~ 48	21331756	2	8	21339106	6	8·66
10111201	24	13·41~ 48	21331806	2	12	21339304	10	25
10112407	22	17	21332002	2	13	21339502	6	16
10112506	24	13·41~ 48	21332200	2	46	21339700	34	27
10112605	24	13·41~ 48	21332309	2	16	21340104	12	31
10112704	22	13·41~ 48	21332507	6	13·57	21340401	12	1
10122000	18	90	21332606	8	13·57	21340500	12	2
10124204	26	13	21332705	6	1	21340708	34	11
10201200	2	42	21332903	8	29·58	21340906	12	42
10205201	16	20	21333000	6	2	21341151	14	46
10308609	10	11	21333109	6	18	21342407	46	4
10320109	26	3	21333406	8	59	21342506	30	4
10321107	26	24~26	21333604	22	25	21342555	30	3
10325157	52	9	21333703	8	48	21342605	30	5
10325306	52	4	21334008	6	29·58	21342704	30	9
10326205	52	5	21334701	22	15	21342803	30	13
10326304	52	10	21335005	22	1	21342902	30	17
10337905	14	55	21336003	16	2	21343009	30	11
10338309	50	11	21336052	16	1	21343108	30	32
10502300	28	21	21336300	18	60·61	21343157	30	30
10509701	12	22	21336409	18	60·61	21343207	30	1
10539906	32	16	21336508	6	21	21343355	30	21
10618304	28	8	21336557	6	20	21343405	30	19
10704807	28	19	21336607	18	49	21343702	30	6
10741106	26	14	21336656	18	48	21343801	30	7
10748101	32	11	21336706	18	53	21345707	34	2
10755205	32	3	21336805	16	41·42	21345756	34	1
10755254	32	2	21336904	16	41·42	21345806	34	3
11272614	18	83	21337001	18	68	21345905	34	4
13138201	26	8	21337100	18	69	21346002	34	18
13789201	18	82	21337209	16	38·39	21346309	34	6
14512503	28	17	21337308	16	33	21346358	34	5
17912106	2	26	21337407	16	26	21346408	34	8
			21337506	16	23	21346507	34	7
			21337605	16	35	21347000	34	14·34
			21337704	16	24	21347109	12	13
			21337803	16	27	21347208	34	16
			21337902	16	31	21347406	10	30
			21338108	16	38·39	21348206	26	24~26

NUMERICAL INDEX OF PARTS

PART NO	PAGE	REF NO.	PART NO	PAGE	REF NO.	PART NO	PAGE	REF NO.
21348503	40	7	21387907	8	62	22907604	12	43
21348602	40	5	21388004	18	66	22911804	16	44
21348701	40	9	21388400	10	16	22912000	18	46
21348958	40	1	21388608	40	27	22912109	18	47
21349105	40	41	21401906	6	4	22921308	26	12
21349303	18	87	21402300	6	27	22921407	26	11
21349600	2	38	21405204	10	2	22932404	30	28
21349709	2	39	21406103	14	48	22932453	30	27
21350004	14	59	21406509	12	28	22933006	36	2
21351002	32	19	21406608	14	57	22933303	36	12
21351101	32	18	21407507	34	22	22934202	30	35
21351150	32	17	21407606	34	23	22934301	30	36
21351200	32	20	21407705	34	24	22934400	30	34
21351457	32	1	21408505	2	25	22934509	30	33
21352505	6	23	21408554	2	24	22934707	30	29
21352604	18	58	21413158	36	1	22945505	26	15
21352703	18	56	21413257	36	4	22945505	28	27
21352901	18	71	21427307	22	26	22945703	26	16
21353008	8	55	21437900	12	36	22945703	28	30
21355706	28	24	21441050	26	2	22952501	18	85
21355755	28	23	21441100	26	17	22952501	40	21
21355904	2	6	22537658	28	2	23006406	26	24~26
21356001	28	6	22538151	28	4	23636202	28	5
21356308	44	11	22538706	28	32	26023200	18	77
21356407	44	12	22602601	4	47	26225201	12	29
21356506	44	3	22604300	6	25	26226209	40	19
21356605	44	6	22605406	8	6·67	40009103	18	50
21356704	44	9	22609309	16	15	40016148	8	65
21356803	44	7	22609408	16	12	40016798	2	1
21357959	28	3	22617906	26	9	40018339	12	16
21357967	28	1	22618201	26	7	40018340	14	63
21358205	28	9	22619100	2	43	40018341	12	23
21364104	16	10	22620504	34	30	40019926	16	36
21378104	52	17	22656003	40	17	40023289	18	81
21378302	12	5	22656102	40	15	40023289	40	20
21378302	16	13	22814909	10	33	40025299	32	5
21378500	22	14	22814909	14	65	40025300	32	8
21378708	28	29	22863203	30	26	40027746	10	26
21378906	18	54	22863252	30	23	40033026	12	12
21379003	32	6	22877609	2	9	40033027	12	11
21387402	20	95	22901805	2	45	40033029	12	19
21387501	6	31	22904106	12	7	40033030	12	24
21387600	6	34	22904106	16	18	40033031	12	40
21387709	6	33	22904155	12	6	40033032	12	39
21387808	6	38	22904155	16	17	40038692	8	61

NUMERICAL INDEX OF PARTS

PART NO	PAGE	REF NO.	PART NO	PAGE	REF NO.	PART NO	PAGE	REF NO.
40038700	8	50	B1401053000	10	7	B15302450AH	50	15
40038702	8	51	B1410771000	10	24	B15302450AK	50	16
40038722	40	43	B1411053000	10	8	B15312450AC	50	17
40038722	44	30	B1412051000	10	10	B15312450AD	50	18
40038723	40	45	B1412051000	34	19	B15312450AF	50	19
40038723	44	32	B1414232000	10	23	B15312450AH	50	20
40038904	44	19	B1414555000	12	21	B1604012000A	16	7
40039326	12	4	B1420563000	10	1	B1604051000	16	3
40039454	18	75	B1437051000	10	6	B1611055000	18	88
40042611	24	35-49	B1462053000	14	47	B1613562A00	52	14
40055028	8	8-66	B14670530A0	12	25	B1613563C00	52	15
40056364	40	24	B1467563000	10	14	B1639051000	6	46
40056365	40	23	B1468053000	12	26	B18035150A0	22	29
40056366	40	22	B1470241H00	14	51	B1816051000	22	40
40096354	38	1	B1470241HA0	14	50	B1817051000	22	35-49
40103003	44	18	B1470245000	52	6	B1820563000	22	2
40103925	26	1	B1471241H00	14	60	B1821051000	22	3
40105335	40	32	B147424500C	50	6	B1822563000	22	6
40105811	40	39	B147424500D	50	7	B1823051000	22	7
40105811	44	28	B147424500F	50	8	B1824563000	22	10
40107488	40	31	B147424500H	50	9	B18305630A0	22	23-30
40107618	40	46	B147424500K	50	10	B1830563BA0	22	23-30
40107618	44	33	B147624500A	52	3	B1839563000	32	14
40108675	2	22	B1478245000	50	2	B1840051000	22	31-33
40113092	28	28	B147924500D	50	3	B1840051000	52	16
40113224	6	36	B147924500F	50	4	B184005100A	22	31-33
40125273	2	20	B147924500H	50	5	B1841563000	32	15
40143083	6	26	B1501241H00	14	58	B1843563000	22	21
40152631	2	3	B1502246000	12	44	B1905563000	6	3
40162860	22	38	B1510141H00	12	38	B1906051000	6	5
B1109562A00	52	12	B1510155000	14	49	B1907051000	6	6-67
B1109562D00	4	49	B15242450A0	52	11	B3025141H00A	18	91
B1109563000	2	36	B1525241H00	14	54	B3125012000	26	6
B1109563C00	52	13	B1525241HA0	14	53	B3128520000	26	4
B1111563000	2	34	B1525563SA0	50	26	B3129526000	26	10
B1132521000	2	27	B15272450AC	50	21	B31370510A0	26	5
B1140051000	34	14-34	B15272450AD	50	22	B3138512000	2	32
B1148555000	28	11	B15272450AF	50	23	B3205210000	28	10
B1210051000	6	11	B15272450AH	50	24	B3428521000	30	24
B1214019000	6	32	B15272450AK	50	25	B8112220000	32	7
B1308055000	6	35	B15292450AA	52	8	B8206012000	36	3
B1310055000	6	37	B152989000CA	28	7	B8209012000	36	13
B1312563000A	6	44	B15302450AC	50	12	B9113012000	36	5
B1313055000	8	47	B15302450AD	50	13	B9117563000	22	24
B1314055000	6	39	B15302450AF	50	14	B9117563000	36	9

NUMERICAL INDEX OF PARTS

PART NO	PAGE	REF NO.	PART NO	PAGE	REF NO.	PART NO	PAGE	REF NO.
B91210120A0	36	7	HK03464000A	40	28	SB120000200	8	53
BT0500300EA	34	21	HK03464000A	44	22	SD0380551SL	2	28
BT0600401EB	40	48	HX002950000	40	38	SD0470281SP	26	19
BT0600401EB	42	48	HX002950000	44	15	SD0640322TP	6	42
BT0600401EB	44	35	HX00295000A	44	26	SD0700451TP	30	20
CM300200001	2	44	HX00295000B	44	27	SD0720331SP	44	5
CM300200001	44	13	M13517B1600	10	13·32	SD0800352SP	40	10
CM301300001	4	48	M13517B1602	36	8·10	SD0800402TP	16	34
CM600100201	36	11	MAH152010A0	48	1	SD0800402TP	40	13
CQ202000000	6	19	MAN10452000	52	2	SD0800481SP	12	45
CQ202000000	10	4	MAQ09307000	52	1	SD0900701TP	16	21
CQ202000000	16	51	MAQ093080A0	52	7	SD1000801SH	18	55
CQ202000000	18	51	MC0190R1600	10	13·32	SK3241601SC	32	13
CQ202000000	22	9	MC0190R1602	36	8·10	SK3385001SE	40	40
CQ202000000	34	33	MDFRX2700C0	36	6	SK3385001SE	44	29
CQ252000000	14	61	NM6030001SC	32	10	SK3482500SC	32	4
CQ252000000	34	20	NM6050001SD	30	16	SK3482501SE	42	50
CQ3000000F0	12	15	NM6060003SC	40	6	SK3482501SE	44	37
CQ303000000	6	9	NM6080001SE	44	4	SM3031401SE	32	9
CQ505000000	6	12	NS6110310SP	26	20	SM4061001SB	42	49
CS1201010SH	18	62	NS6110310SP	28	26	SM4061001SB	44	36
CS1201011SH	18	63	NS6110420SP	22	22	SM6040800SP	28	31
D1455055B00	12	33	NS6110530SP	12	35	SM6051002TP	44	8
D1456055B00	12	32	NS6110530SP	46	2	SM6051602TP	30	8
D2461481C00	18	76	NS6150310SP	20	94	SM6052002TP	30	14
D3162555B00	26	21	NS6150430SP	40	14	SM6061202TP	30	2
D3162555B00	28	25	NS6680320SP	16	22	SM6061602TP	40	3
D8232241E00	32	21	PA320150200	40	2	SM6061802TP	16	40
EA9500B0000	12	14	PA400150100	44	1	SM6062502TP	12	37
EA9500B0000	34	9	PF0552170A0	40	44	SM6062502TP	30	22
EA9500B0100	10	31	PF0552170A0	44	31	SM6082002TP	44	2
EA9500B0100	34	31	PJ301065104	40	11	SM6082502TP	22	20
EA9500B0100	40	26	PJ304065101	44	10	SM8050502TP	16	6
EA9500B0100	44	17	PS0500202KP	34	32	SM8050602TP	28	20
GAK29009000	42	47	PS0600502KP	26	22	SM8050612TP	18	52
GAK29009000	44	34	PX015101000	40	12	SM8052502TP	30	15
GAK29010000	40	33	RC0560711KP	28	12	SM8060602TP	6	28
GAK29010000	44	20	RE0400000K0	18	78	SM8080802TP	10	21
GAKA1503000	40	36	RE0500000K0	6	45	SM8080812TP	6	15
GAKA1503000	44	23	RE0500000K0	28	13	SM9061203SE	30	31
GTS01037000	40	25	RE0500711KP	16	8	SS2090710TP	2	29
HK034610020	44	21	RE0800000K0	30	10	SS2110920TP	2	37
HK034610140	40	29	RE0900000K0	18	65	SS3090610SP	34	17
HK034620020	40	34	RO092270200	16	45	SS4080620TP	26	18
HK03463000A	40	35	RO092270200	28	14	SS4110515SP	2	35

NUMERICAL INDEX OF PARTS

PART NO	PAGE	REF NO.	PART NO	PAGE	REF NO.	PART NO	PAGE	REF NO.
SS4110815SP	2	17	SS7110910TP	12	41	TA1450404R0	2	30
SS4111215SP	2	2	SS7110910TP	16	25	WP0320501SC	32	12
SS4120615SP	40	18	SS7110910TP	26	23	WP0371016SD	22	11
SS4150915SP	4	50	SS7111120TP	34	28	WP0450801SD	34	29
SS5090610SP	2	21	SS7111410SP	16	11	WP0482086SD	12	34
SS5110740TP	32	25	SS7111810SP	22	8	WP0501016SD	40	42
SS6090520SP	28	16	SS7111810SP	42	51	WP0501046SC	12	18
SS6090620SP	28	22	SS7112420SP	18	86	WP0502616SD	18	84
SS6090810SP	22	12	SS7120710SP	18	80	WP0612056SD	18	72
SS6090910SP	18	79	SS7120760SP	8	54	WP0621016SD	16	5
SS6090910TP	14	62	SS7120760SP	40	16	WP0621016SD	48	2
SS6091022TP	10	19	SS7150740SP	14	56	WP0641601SD	40	4
SS6110480SP	34	10	SS7150910TP	2	19	WP0650876SD	20	93
SS6110520TP	18	89	SS7151210SP	40	8	WP0850002SP	22	19
SS6110810TP	28	18	SS7151610SP	48	4	WS0610002KN	48	3
SS6111010TP	34	25	SS7621040SP	2	7	WS0610002KP	18	73
SS6111610SP	16	37	SS8110422TP	22	27			
SS6120930TP	18	67	SS8111010TP	6	43			
SS6121210TP	20	92	SS8111010TP	14	64			
SS6121610TP	16	16	SS8150510TP	22	34			
SS6121860SP	16	43	SS8150710TP	8	63			
SS6151040SP	44	14	SS8150710TP	12	9			
SS6151440SP	32	23	SS8150822TP	6	30			
SS6151780SP	12	27	SS8150822TP	16	59			
SS6151920SP	12	30	SS8150822TP	18	59			
SS6152440SP	10	29	SS8151150TP	10	5			
SS6153012TP	18	74	SS8151150TP	16	14			
SS6153040SP	22	18	SS8151150TP	22	32			
SS6153040SP	32	22	SS8151550SP	8	60			
SS6661110SP	6	24	SS8660530TP	22	37			
SS7080510TP	10	12	SS8660610TP	12	8			
SS7090510SP	30	25	SS8660610TP	16	64			
SS7090520TP	2	33	SS8660610TP	18	64			
SS7090610SP	16	30	SS8660612TP	6	40			
SS7090910SP	10	9	SS8660612TP	12	3			
SS7090910TP	16	32	SS8660670SP	22	36			
SS7091410SP	28	15	SS8660810TP	6	22			
SS7110510SP	12	20	SS8660810TP	22	39			
SS7110510SP	34	12	SS8661030SP	8	52			
SS7110710SP	8	56	SS9151440CP	16	4			
SS7110710SP	18	70	TA0750704R0	2	31			
SS7110830SP	10	17	TA0750704R0	8	64			
SS7110840SP	32	24	TA0750704R0	12	10			
SS7110840SP	40	30	TA1050504R0	2	40			
SS7110910TP	10	15	TA1250504R0	2	41			