

MODEL : DLN-9010

List No : 1331-04

# PARTS LIST

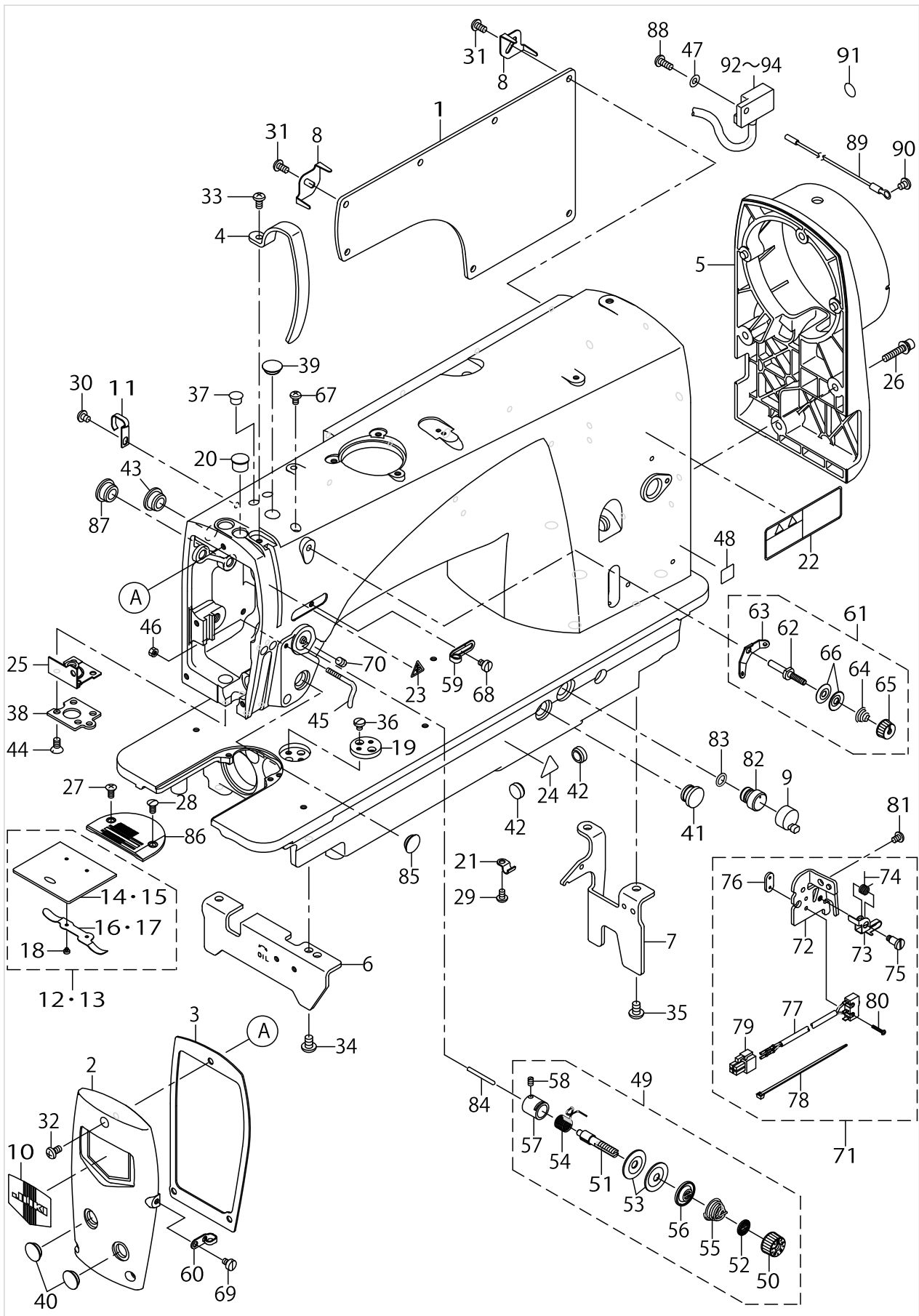
Published:05/12/2017

## CONTENTS

---

MACHINE FRAME & MISCELLANEOUS COVER COMPONENTS .....	1
BOBBIN WINDER COMPONENTS.....	7
MAIN SHAFT & NEEDLE BAR COMPONENTS.....	9
HAND LIFTER & TENSION RELEASE COMPONENTS.....	13
FEED ADJUST MECHANISM COMPONENTS .....	17
HORIZONTAL FEED & VERTICAL FEED AND HOOK DRIVING SHAFT COMPONENTS.....	21
THREAD TRIMMER COMPONENTS .....	27
NEEDLE BAR FRAME COMPONENTS.....	31
OIL LUBRICATION COMPONENTS .....	33
AUTOMATIC REVERSE FEED COMPONENTS.....	37
WIPER COMPONENTS.....	39
THREAD STAND COMPONENTS.....	41
UNDER COVER COMPONENTS .....	43
ACCESSORIE PART COMPONENTS .....	45
EXCLUSIVE PART FOR DLN-9010SH-WB, -0B.....	47
TABLE & STAND COMPONENTS.....	51
LIST FOR INFORMATION OF CHANGE.....	53
HOW TO MAKE USE OF THIS PARTS LIST .....	54

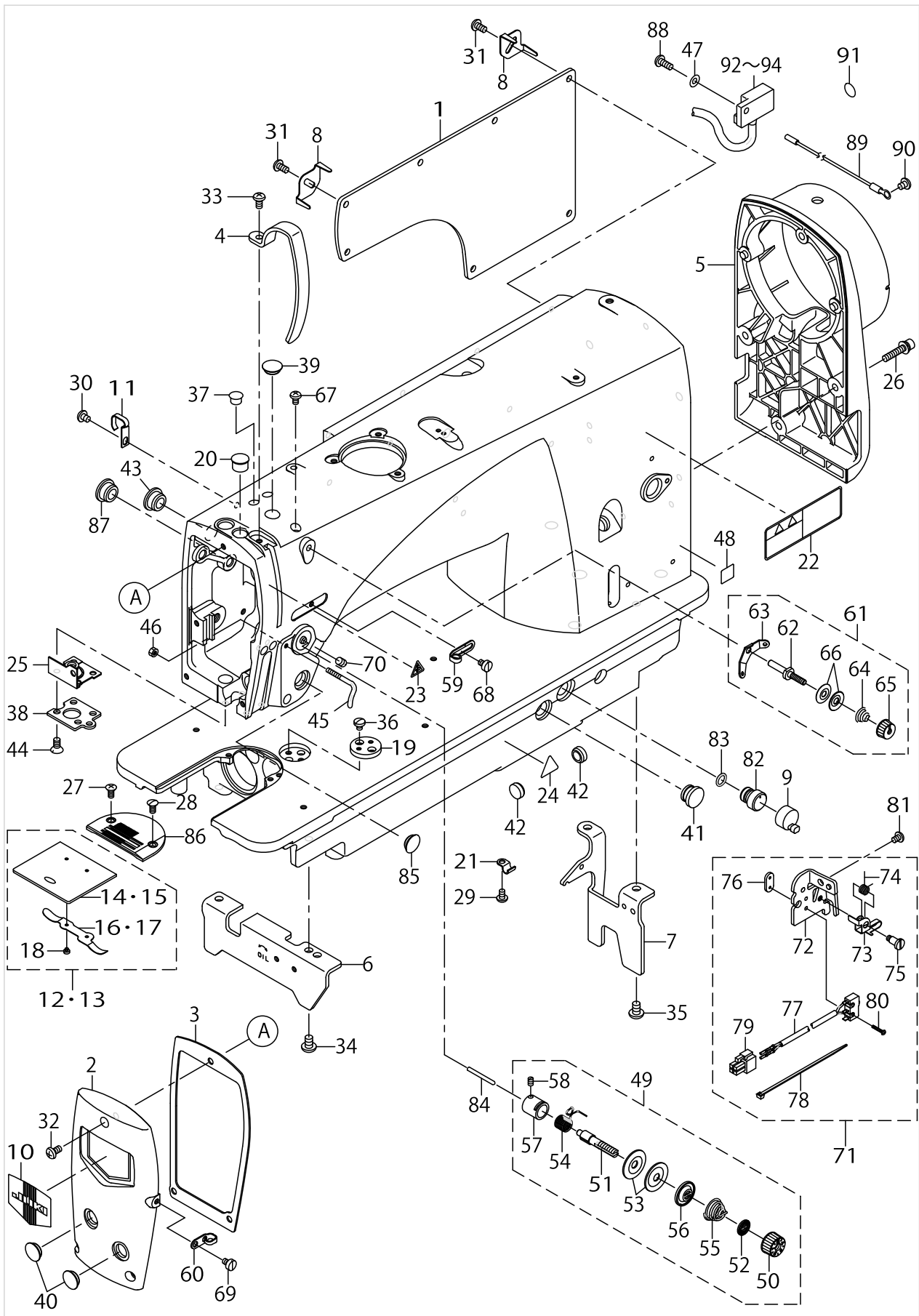
MACHINE FRAME & MISCELLANEOUS COVER COMPONENTS



MACHINE FRAME & MISCELLANEOUS COVER COMPONENTS

No.	Supply Code	Parts No.	Replacement	Parts name	Remarks	Choice	Step	Level	Cons	Qty	Rep. QTY
1		23600208		SIDE PLATE						1	
2		40000209		FACE PLATE						1	
3		40000210		FACE PLATE PACKING						1	
4		23600505		THREAD TAKE-UP LEVER COVER						1	
5		23600604		PULLEY COVER						1	
6		23600703		BED STUD A						1	
7		23600802		BED STUD B						1	
8		22954705		CORD FIXING METAL FITTING						2	
9		23601305		AIR-DISCHARGING CAP						1	
10		22902506		FACE PLATE						1	
11		40022407		CORD HOLDER						1	
12		22901250		SLIDE PLATE ASM.	FOR JE,JA					1	
13		22902753		SLIDE PLATE ASM.	FOR GENERAL EXPORT					1	
14	R	22901201	22901250	SLIDE PLATE	FOR JE,JA			*		1	1.00
15		22902704		SLIDE PLATE	FOR GENERAL EXPORT			*		1	
16		22901300		SLIDE PLATE SPRING	FOR JE,JA			*		1	
17		22901300		SLIDE PLATE SPRING	FOR GENERAL EXPORT			*		1	
18		SS6060210SP		SCREW 3/32-56 L=1.9				*		2	
19		22902605		RULER STOP SEAT						1	
20		TA1250804R0		RUBBER PLUG						1	
21		B3538112000		OIL RETURN TUBE HOLDER						1	
22		CM301300001		SAFETY LABEL						1	
23		CM300200001		ATTENTION SEAL						1	
24		CM300200003		ATTENTION LABEL						1	
25		40000212		PRESSING PLATE PACKING						1	
26		SL6052592TN		BOLT						4	
27		SS2110915SP		SCREW 11/64-40 L=8.5						1	
28		SS2110920TP		SCREW 11/64-40 L=8.5						1	
29		SS4110715SP		SCREW 11/64-40 L=7						1	
30		SS4120615SP		SCREW 3/16-28 L=6	FOR DLN-- 9010SS,SH (-0B)					1	
31		SS4120915SP		SCREW 3/16-28 L=9						7	
32		SS4120915SP		SCREW 3/16-28 L=9						3	
33		SS4120915SP		SCREW 3/16-28 L=9						1	
34		SS4150915SP		SCREW 15/64-28 L=9						2	
35		SS4150915SP		SCREW 15/64-28 L=9						2	
36		SS7110540SP		SCREW 11/64-40 L=5						2	
37		TA0850604R0		RUBBER PLUG						1	
38		11300407		PRESSER BAR SUPPORT						1	
39		TA1250406R0		RUBBER PLUG D=12.5 L=4						1	
40		TA1250406R0		RUBBER PLUG D=12.5 L=4						2	
41		TA1250705R0		RUBBER PLUG						1	
42		TA1270502R0		RUBBER PLUG						2	
43		TA1470704R0		RUBBER PLUG						1	
44		SS1120710SP		SCREW 3/16-28 L=6.5						4	
45	R	11305513	22972608	ARM THREAD GUIDE, C						1	1.00

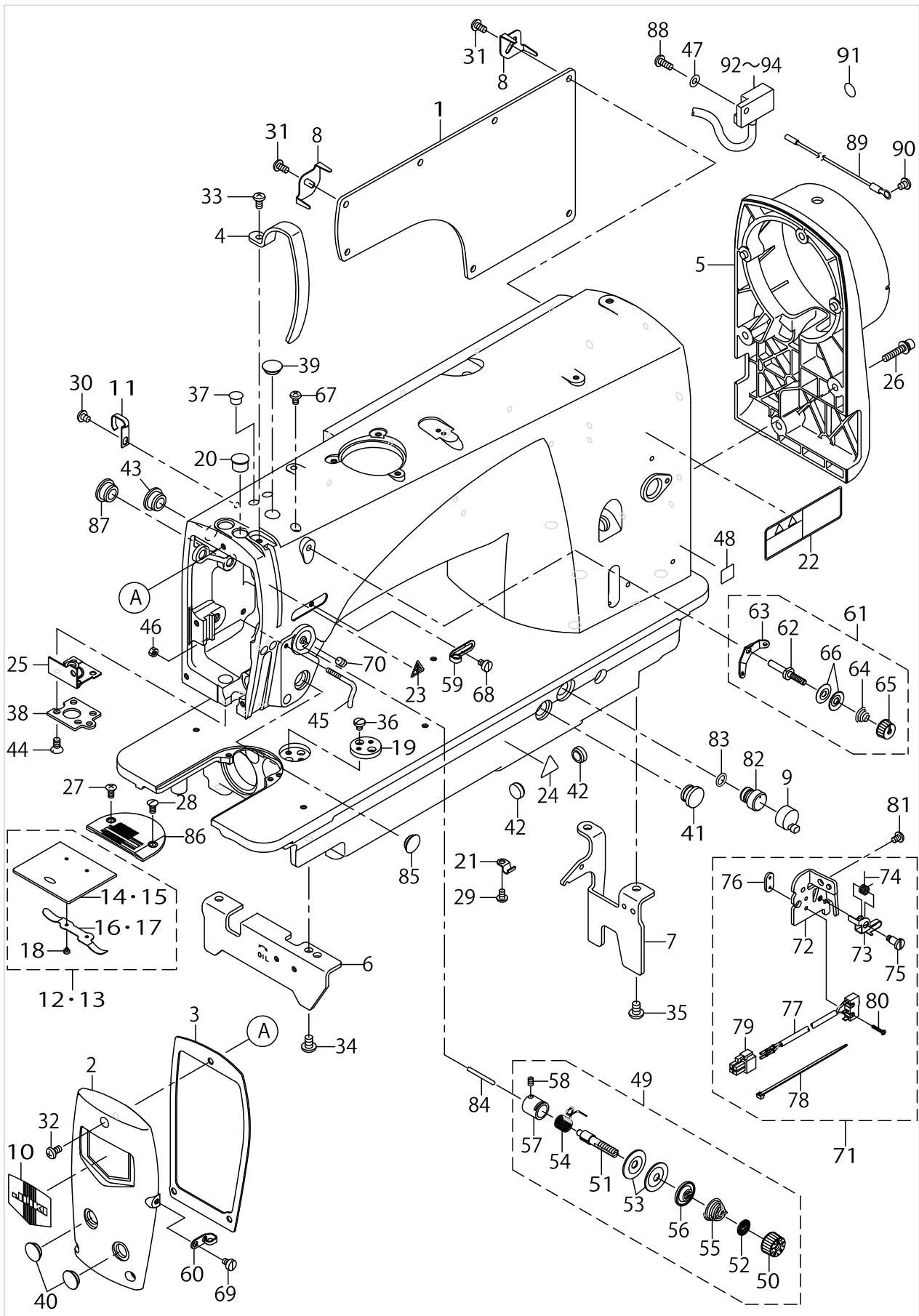
MACHINE FRAME & MISCELLANEOUS COVER COMPONENTS



MACHINE FRAME & MISCELLANEOUS COVER COMPONENTS

No.	Supply Code	Parts No.	Replacement	Parts name	Remarks	Choice	Step	Level	Cons	Qty	Rep. QTY
46		NS6090310SP		NUT 9/64-40						1	
47		WP0501016SD		WASHER 5X10.5X1						1	
48		CM600100101		WEEE MARK LABEL S	FOR JE					1	
49		23626054		THREAD TENSION ASM.						1	
50		23626005		THREAD TENSION NUT				*		1	
51		22921209		THREAD TENSION POST				*		1	
52		22921407		ROTATION STOPPER				*		1	
53		22921506		THREAD TENSION DISK				*		2	
54		22921605		THREAD TAKE-UP SPRING				*		1	
55		22921704		THREAD TENSION SPRING, A				*		1	
56		22921803		DISK STOPPER				*		1	
57		22945307		THREAD TENSION POST BASE				*		1	
58		SS8090670SP		SCREW 9/64-40 L=5.5				*		1	
59		23626104		ARM THREAD GUIDE A						1	
60		22920607		ARM THREAD GUIDE B						1	
61		22945463		THREAD TENSION ASM. NO.1						1	
62		22945414		THREAD TENSION POST				*		1	
63	R	22945604	22963458	THREAD TENSION GUIDE		A	DDL8700H-7/8700J--7/9000B, DLN6390-7	*		1	1.00
63	R	22945604	22945463	THREAD TENSION GUIDE		B	DDL8700-7 and so on	*		1	1.00
64		22945505		THREAD TENSION SPRING				*		1	
65		22945703		THREAD TENSION NUT				*		1	
66		22945802		THREAD TENSION DISK				*		2	
67		SS4110715SP		SCREW 11/64-40 L=7						1	
68		SS6110610TP		SCREW 11/64-40 L=6						1	
69		SS6110610TP		SCREW 11/64-40 L=6						1	
70		SS8150710TP		SCREW 15/64-28 L=7						1	
71		23638059		SAFETY SWITCH ASM.						1	
72	R	23638000	23638059	SAFETY SWITCH BASE				*		1	1.00
73		23638109		SAFETY SWITCH ARM				*		1	
74	R	23638208	23638059	SAFETY SWITCH SPRING				*		1	1.00
75		23638307		SAFETY SWITCH ARM SHAFT				*		1	
76	R	23638406	23638059	SAFETY SWITCH NUT				*		1	1.00
77		23638554		SAFETY SWITCH CORD ASM.				*		1	
78		EA9500B0100		CABLE BAND				*		1	
79		HK034610040		HOUSING				*		1	
80		SM4021201SC		SCREW M2 L=12				*		2	
81		SS4110615SP		SCREW 11/64-40 L=6						1	
82		23629900		AIR-DISCHARGING						1	
83		RO080150200		RUBBER RING						1	
84		B3118552I00		TENSION RELEASING PIN I						1	
85		TA1250406R0		RUBBER PLUG D=12.5 L=4						1	
86		11300308		THROAT PLATE						1	
87		TA1470704R0		RUBBER PLUG						1	
88		SS4121215SP		SCREW 3/16-28 L=12						1	

MACHINE FRAME & MISCELLANEOUS COVER COMPONENTS

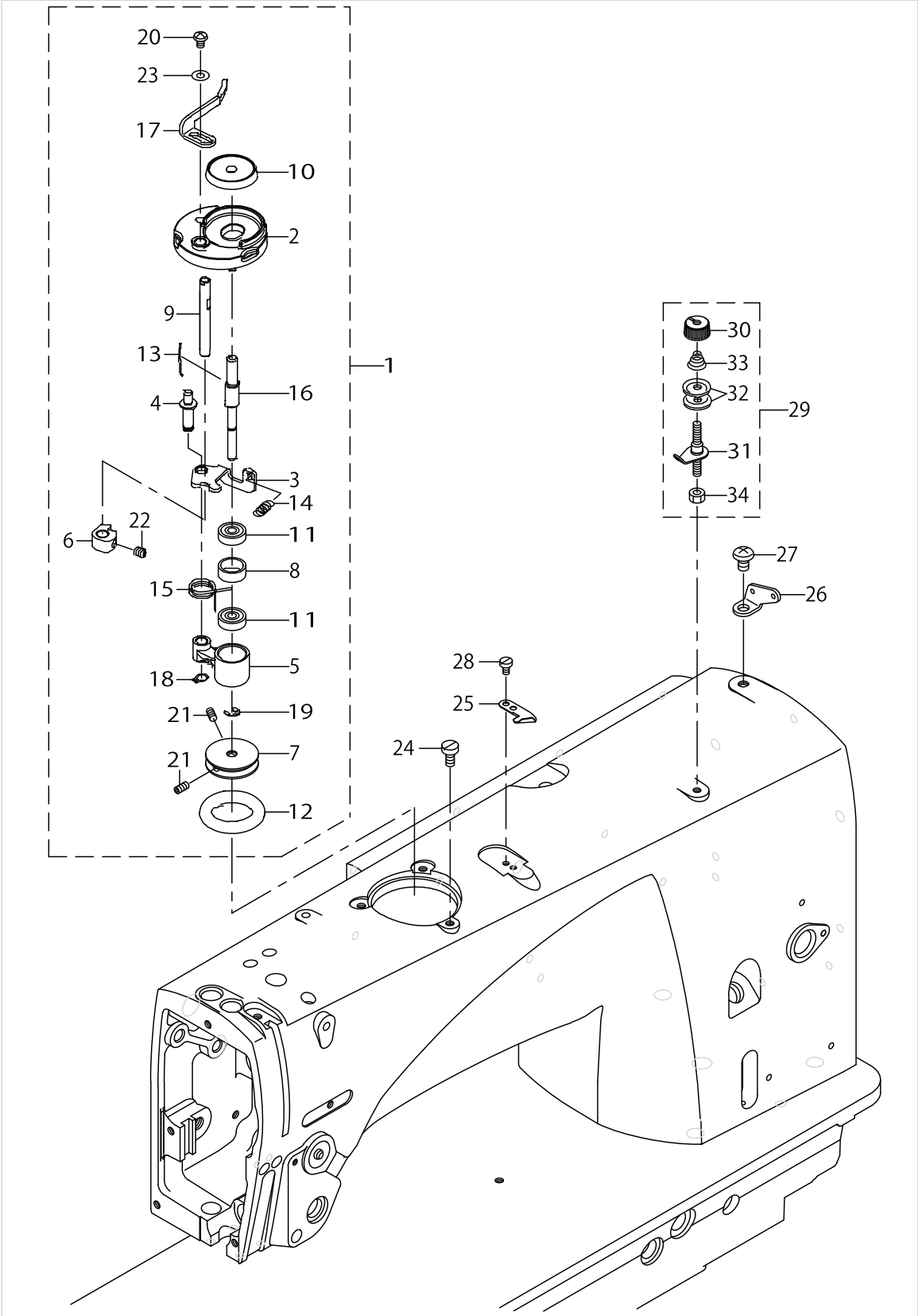


MACHINE FRAME & MISCELLANEOUS COVER COMPONENTS

No.	Supply Code	Parts No.	Replacement	Parts name	Remarks	Choice	Step	Level	Cons	Qty	Rep. QTY
89		23601057		EARTH CORD ASM.	FOR JE,JA					1	
90		SS4120615SP		SCREW 3/16-28 L=6	FOR JE,JA					1	
91		22901805		GROUND MARK	FOR JE,JA					1	
92		40000214		RESISTOR PACK AL ASM.	FOR DLN-- 9010SS (G- ENERAL EXPORT)					1	
93		40000215		RESISTOR PACK AF ASM.	FOR DLN-- 9010SS (JE)					1	
94		40000216		RESISTOR PACK AA ASM.	FOR DLN-- 9010SS (JA)					1	



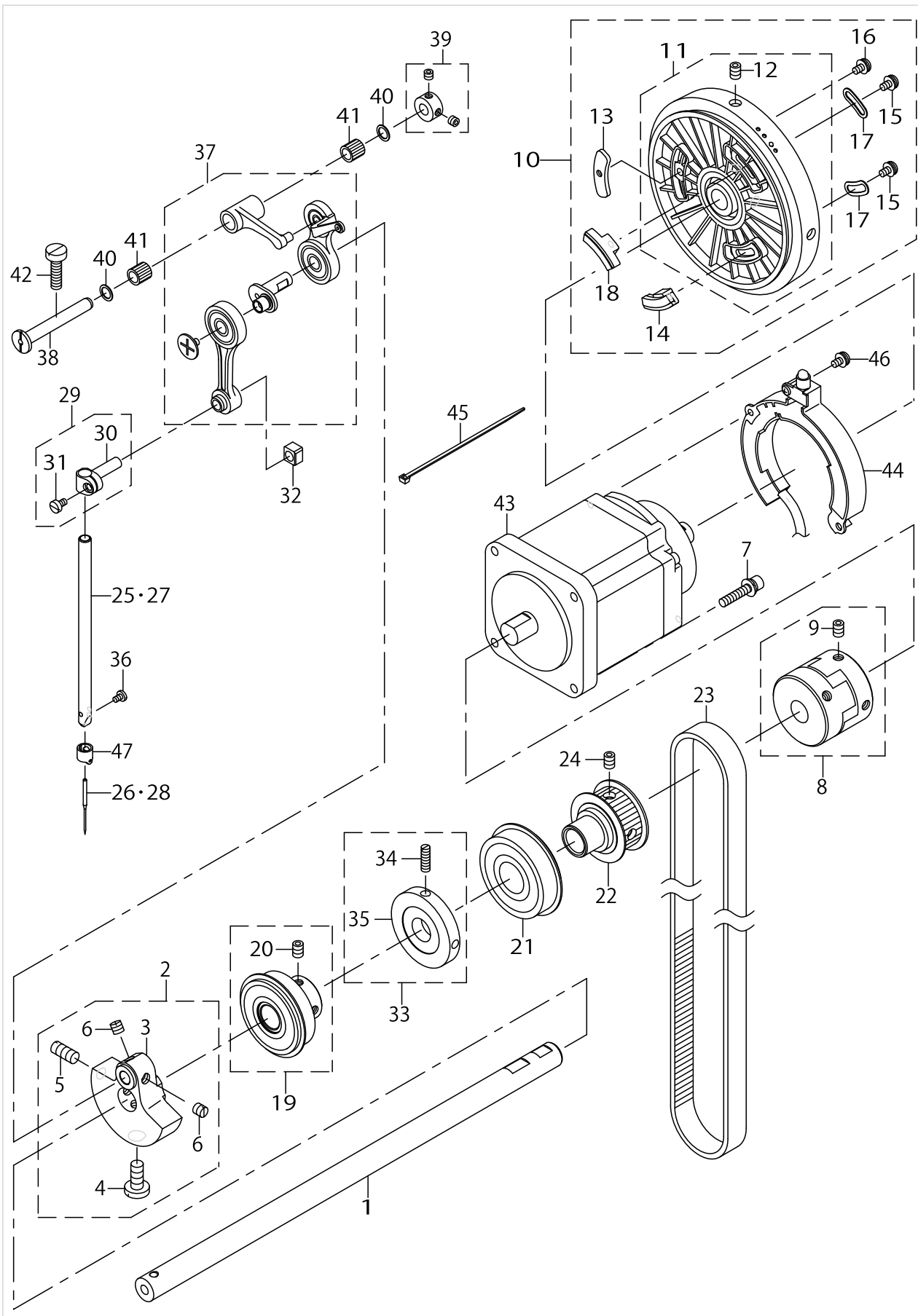
BOBBIN WINDER COMPONENTS



BOBBIN WINDER COMPONENTS

No.	Supply Code	Parts No.	Replacement	Parts name	Remarks	Choice	Step	Level	Cons	Qty	Rep. QTY
1		40023021		BOBBINWINDERUNIT						1	
2	R	26260109	26260000	BTW_BASE				*		1	1.00
3		26260208		BTW_CAM_PLATE				*		1	
4		26260307		BTW_BASE_SHAFT				*		1	
5		26260406		BTW_SHAFT_BASE				*		1	
6		26260505		BTW_CAM_LEVER				*		1	
7		26260604		BTW_WHEEL				*		1	
8	R	26260802	26260000	BTW_BEARING_SPACER				*		1	1.00
9		26261008		BTW_LEVER_SHAFT				*		1	
10		26261206		BTW_SPACER				*		1	
11	R	26261305	26260000	BTW_BEARING				*		2	1.00
12		26261503		BTW_WHEEL_RUBBER				*		1	
13		26261602		BOBBIN_SPRING				*		1	
14		26261701		BTW_SPRING				*		1	
15		40011144		BTW_TORSION_SPRING				*		1	
16		40014837		BTW_SHAFT				*		1	
17		40023022		BTW LEVER				*		1	
18		RC0560711KP		RETAINING RING				*		1	
19		RE0400000K0		E-RING 4				*		1	
20		SM5040655SN		SCREW				*		1	
21		SM8040802TP		SCREW M4X8				*		2	
22		SM8050502TP		SCREW M5 L=5				*		1	
23		WP0450826SC		WASHER 4.5X10X0.8				*		1	
24		SS6121030SN		SCREW 3/16-28 L=10						3	
25		10502300		THREAD CUTTER						1	
26		40023291		THREAD GUIDE NO.1						1	
27		SS4150915SP		SCREW 15/64-28 L=9						1	
28		SS6090620TP		SCREW						2	
29		23636657		BOBBIN THREAD TENSION ASM.						1	
30		11072402		THREAD TENSION NUT				*		1	
31		14113450		BOBBIN THREAD T- ENSION ROD ASM.				*		1	
32	R	B3126012000	22921506	THREAD TENSION DISK				*		2	1.00
33		D7133555B00		CONNECTING ROD SPRING				*		1	
34		NS6110530SP		NUT 11/64-40				*		1	

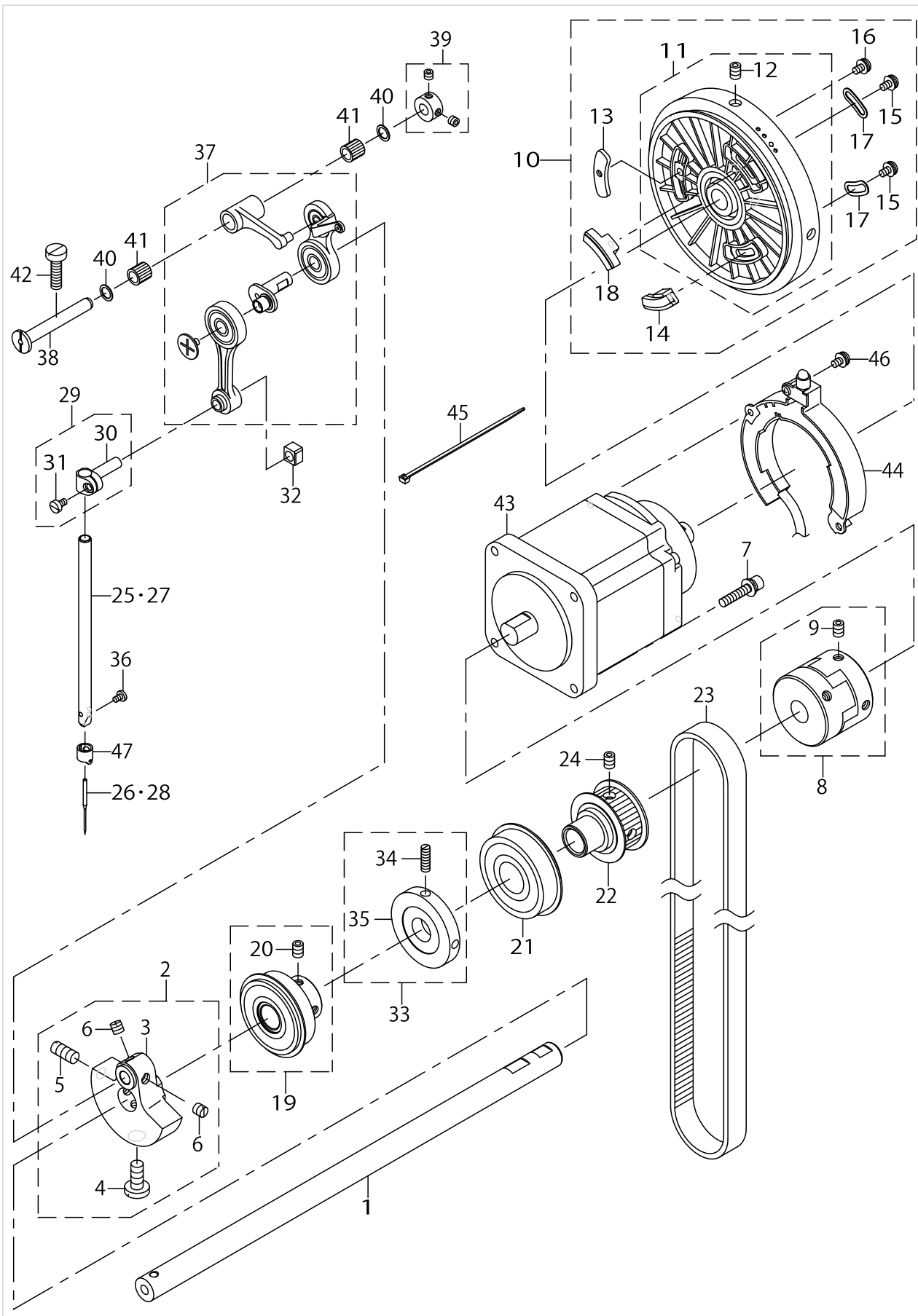
MAIN SHAFT & NEEDLE BAR COMPONENTS



MAIN SHAFT & NEEDLE BAR COMPONENTS

No.	Supply Code	Parts No.	Replacement	Parts name	Remarks	Choice	Step	Level	Cons	Qty	Rep. QTY
1		23604010		MAIN SHAFT						1	
2		23604168		COUNTER WEIGHT ASM.						1	
3	R	23604119	23604168	COUNTER WEIGHT				*		1	1.00
4		SS7681650TP		SCREW 9/32-28 L=16				*		1	
5		SS8681650TP		SCREW 9/32-28 L=16				*		1	
6		SS8660610TP		SCREW 1/4-40 L=6				*		2	
7		SL6052592TN		BOLT						4	
8		40051473		COUPLING ASM.						1	
9		SM80608A2TP		L=8SCREW M6 L=8				*		4	
10		23604457		HAND WHEEL ASM.						1	
11		40044906		HAND WHEEL ASM.				*		1	
12		SM80608A2TP		L=8SCREW M6 L=8				*		2	
13		23604804		BALANCE PLATE				*		1	
14		23604754		MAGNET BASE COMPL. ,B				*		1	
15		SL4040881SC		SCREW M4 L=8				*		2	
16		SL4040881SC		SCREW M4 L=8				*		1	
17		23605009		HAND WHEEL WASHER				*		2	
18		23604655		MAGNET BASE COMPL. ,A				*		1	
19		23605256		BEARING COMPL.						1	
20		SM80608A2TP		L=8SCREW M6 L=8				*		2	
21		SB120000800		BEARING						1	
22		40039946		SPROCKET ASM.						1	
23		23607302		TIMING BELT						1	
24		SM80608A2TP		L=8SCREW M6 L=8						2	
25		40000221		NEEDLE BAR B	FOR DLN-- 9010SS (JE)					1	
26		MC200500900		NEEDLE 134 90	FOR DLN-- 9010SS (JE)					1	
27		40000220		NEEDLE BAR A	FOR DLN-- 9010SS (G- ENERAL E- XPORT,JA)					1	
28		MDB100B1400		NEEDLE DBX1 #14	FOR DLN-- 9010SS (G- ENERAL E- XPORT,JA)					1	
29		22906457		NEEDLE BAR HOLDER ASM.						1	
30	R	22906408	22906457	NEEDLERODHOLDER				*		1	1.00
31		SS6090670TP		SCREW 9/64-40 L=6				*		1	
32		B1414555000		SLIDE BLOCK						1	
33		40020454		BTW DRIVING WHEEL ASM						1	
34		SM8051610SP		SCREW M5 L=16				*		2	
35		40020455		BTW DRIVING WHEEL				*		1	
36		SS7080510TP		SCREW 1/8-44 L=4.5						1	
37		40000270		THREAD TAKE-UP COMPL.						1	
38		23622400		THREAD TAKE-UP CRANK SHAFT						1	
39		40010434		THRUST_COLLAR_ASM.						1	
40		22891204		BEARING SUPPORT						2	
41		SB307000200		BEARING						2	
42		SS6151920TP		SCREW 15/64-28 L=19.0						1	

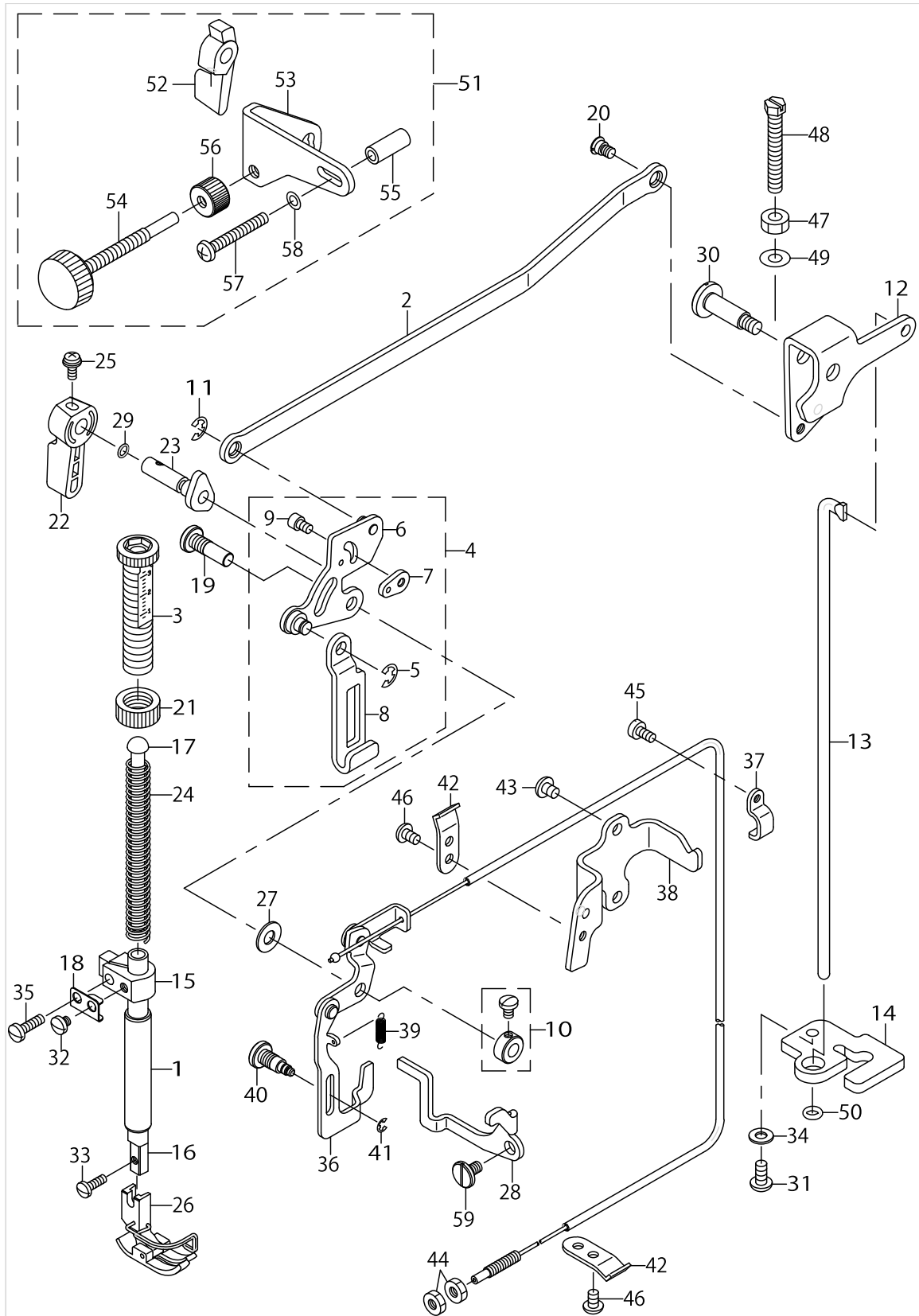
MAIN SHAFT & NEEDLE BAR COMPONENTS



MAIN SHAFT & NEEDLE BAR COMPONENTS

No.	Supply Code	Parts No.	Replacement	Parts name	Remarks	Choice	Step	Level	Cons	Qty	Rep. QTY
43		40028014		AC SERVO MOTOR						1	
44		M68014710A0		SYNC ASM.						1	
45		EA9500B0100		CABLE BAND						2	
46		SL4040881SC		SCREW M4 L=8						2	
47		B1418552A00		NEEDLE THREAD GUIDE A						1	

# HAND LIFTER & TENSION RELEASE COMPONENTS

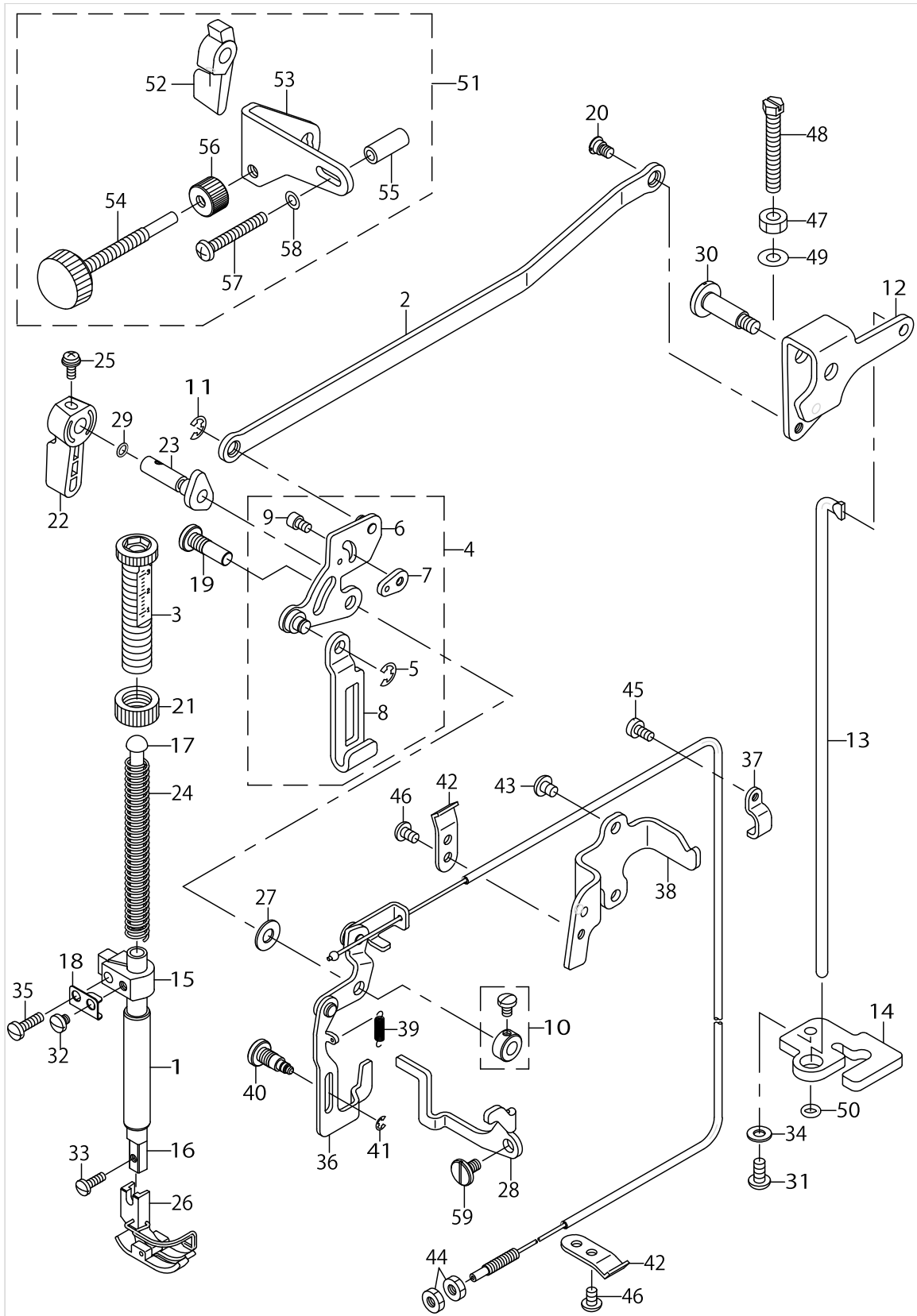


HAND LIFTER & TENSION RELEASE COMPONENTS

No.	Supply Code	Parts No.	Replacement	Parts name	Remarks	Choice	Step	Level	Cons	Qty	Rep. QTY
1		23609001		PRESSERRODMETAL						1	
2		40000227		KNEE LIFTING CROSS ROD						1	
3		23609209		PRESSER SPRING REGULATOR						1	
4		40000228		LIFTING PLATE ASM.						1	
5		RE0500000K0		E-RING 5				*		1	
6	R	23609456	23609357	LIFTING LINK COMPL.				*		1	1.00
7		23609605		PLATE				*		1	
8		40000229		LIFTING PLATE				*		1	
9		SM6040602TP		SCREW M4 L=6				*		1	
10		CS064061ASP		THRUST COLLAR ASM.						1	
11		RE0500000K0		E-RING 5						1	
12		40000230		LIFTING LEVER LINK						1	
13		23609803		CONNECTING ROD						1	
14		23609902		CONNECTING ROD GUIDE						1	
15		40000231		PRESSER BAR GUIDE BRACKET						1	
16		23610207		PRESSER BAR						1	
17		23610306		PRESSER GUIDE BAR						1	
18		40000232		GUIDE BRACKET PLATE						1	
19		11301702		LINK SHAFT						1	
20		22908909		HINGE SCREW						1	
21	R	22907604	22907554	PRESSER SPRING REGULATOR NUT						1	1.00
22		22907802		HAND LIFTER						1	
23		40000233		PRESSER LIFTER CAM COMPL.						1	
24		22907406		PRESSER SPRING						1	
25		B1521555000		SCREW						1	
26		D1524415BBC		PRESSER FOOT ASM.						1	
27		WP0651001SC		WASHER						1	
28		40000333		THREAD RELEASE LINK						1	
29		RO037180100		RUBBER RING						1	
30		GAKA1843000		KNEE LIFTER LINK FULCRUM SHAFT						1	
31		SS4121015SP		SCREW 3/16-28 L=10						1	
32		SS7110410SP		SCREW 11/64-40 L=4						1	
33		SS7091110TP		SCREW 9/64-40 L=10.5						1	
34		WP0501016SD		WASHER 5X10.5X1						1	
35		SS7111410TP		SCREW11/64-40L=14						1	
36		40000327		THREAD RELEASE WIRE ASM.						1	
37		40000334		WIRE GUIDE						1	
38		40000332		EIRE HOLDER BRACKET						1	
39		11305901		DIFFERENTIAL PLATE SPRING						1	
40		11306107		DIFFERENTIAL PLATE SHAFT						1	
41		RE0300000K0		E-RING 3						1	
42		22944508		WIRE PRESSER A						2	
43		SS4120615SP		SCREW 3/16-28 L=6						2	
44		NS6620310SP		NUT 3/16-32						2	
45		SS6090810TP		SCREW 9/64-40 L=7.5						1	



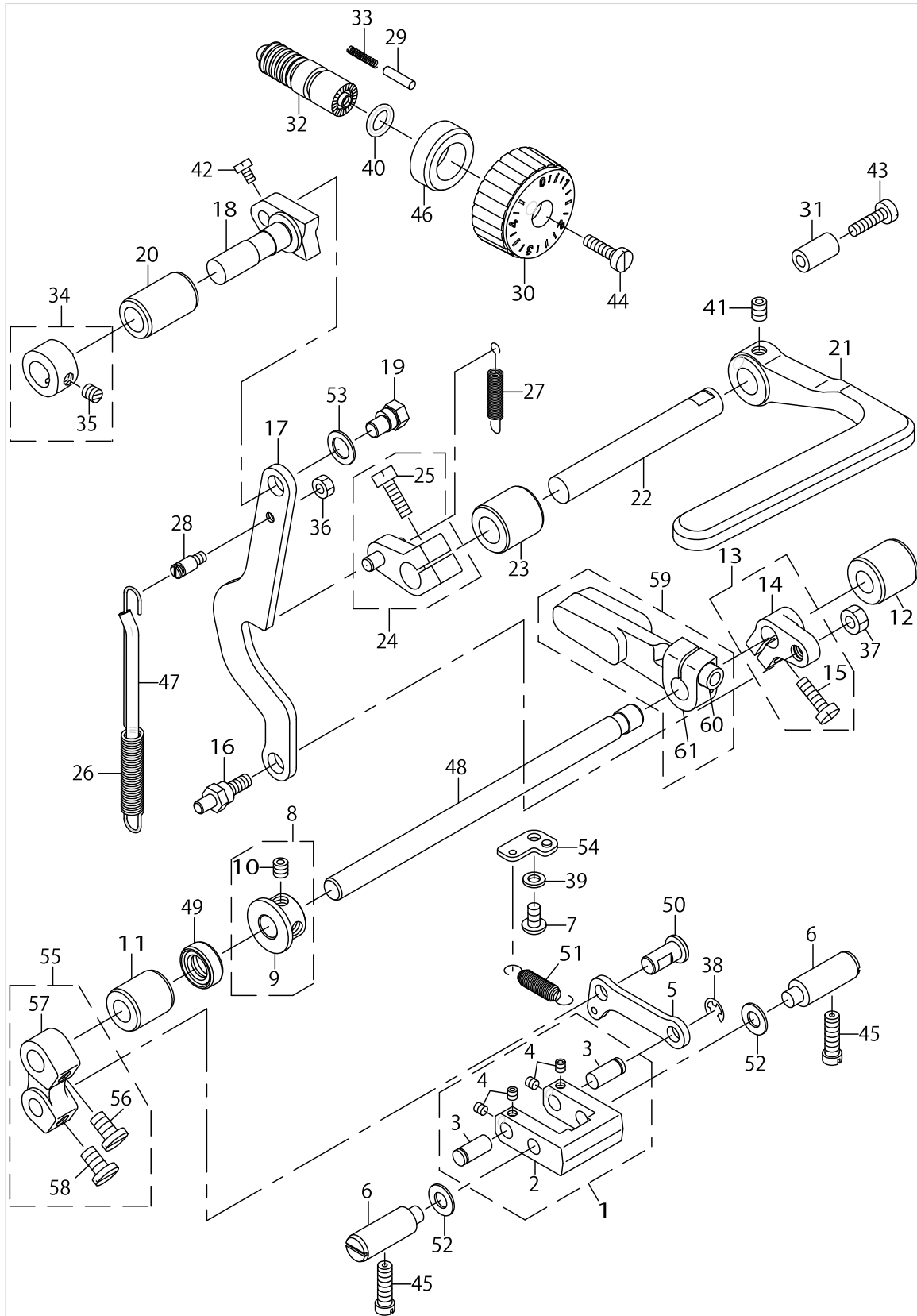
# HAND LIFTER & TENSION RELEASE COMPONENTS



HAND LIFTER & TENSION RELEASE COMPONENTS

No.	Supply Code	Parts No.	Replacement	Parts name	Remarks	Choice	Step	Level	Cons	Qty	Rep. QTY
46		SS4110715SP		SCREW 11/64-40 L=7						2	
47		NS6150310SP		NUT 15/64-28						1	
48		23610801		BOLT						1	
49		WP0621016SD		WASHER 6.2X13X1						1	
50		RO044240100		RUBBER RING						1	
51		23611056		MINUTE LIFTING DEVICE ASM.	OPTIONAL PARTS					1	
52		23611106		HAND LIFTER				*		1	
53		23610504		STOPPER BASE				*		1	
54		23610652		STOPPER SCREW ASM.				*		1	
55		11244019		STOPPER COLLAR				*		1	
56		23610702		STOPPER SCREW NUT				*		1	
57		11433802		SET SCREW				*		1	
58		WP0480856SP		WASHER 4.8X8.4X0.8				*		1	
59		SD0640261SP		HINGE SCREW D=3.65 H=2.6						1	

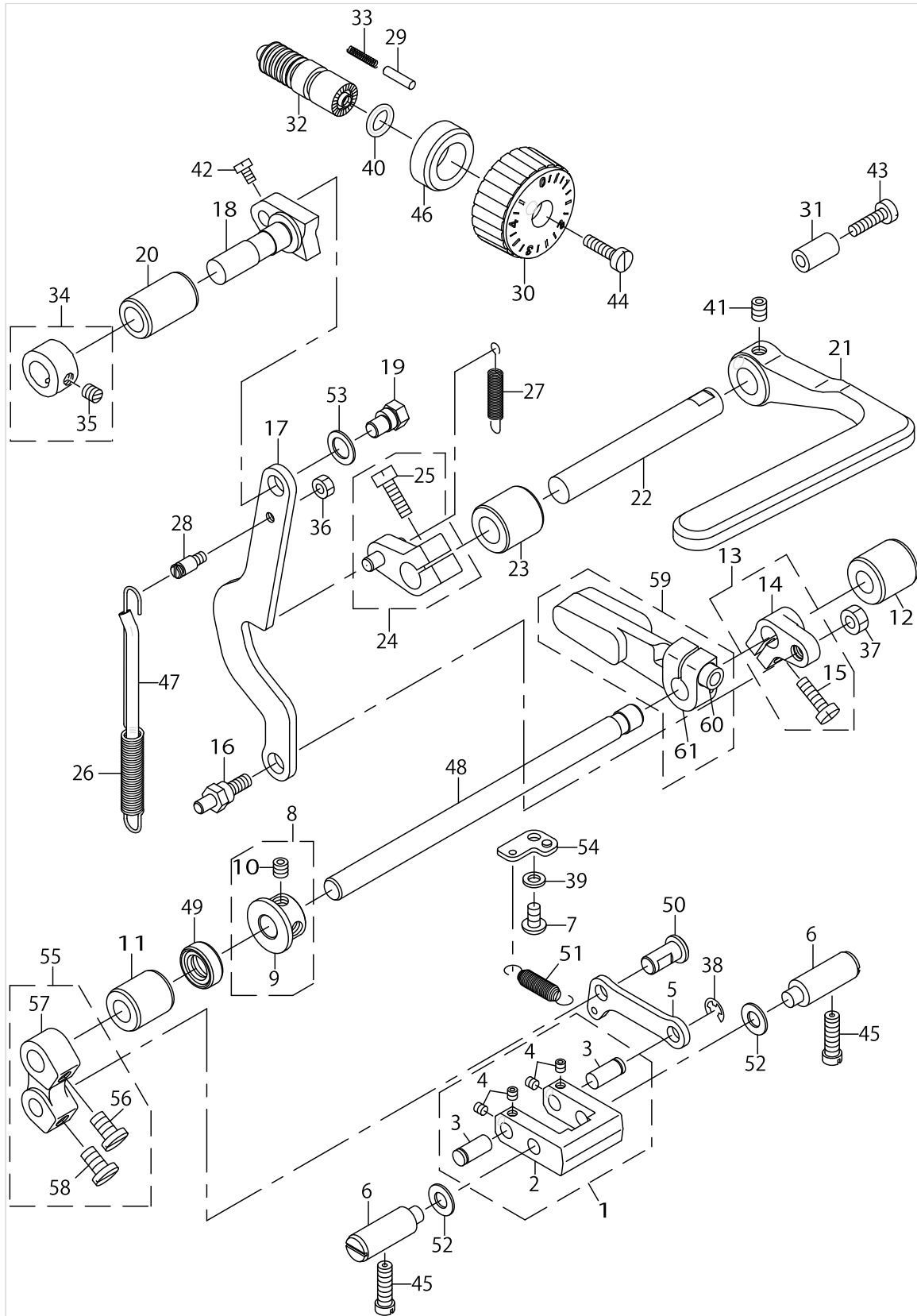
FEED ADJUST MECHANISM COMPONENTS



FEED ADJUST MECHANISM COMPONENTS

No.	Supply Code	Parts No.	Replacement	Parts name	Remarks	Choice	Step	Level	Cons	Qty	Rep. QTY
1		40033391		ADJUSTING LINK ASM.						1	
2		40033392		ADJUSTING LINK				*		1	
3		40033393		ADJUSTING LINK PIN				*		2	
4		SM8040412TP		SET SCREW M4 L=4				*		4	
5		40009730		ADJUSTING LINK C- ONNECTING LINK						1	
6		40012032		ADJUSTING LINK F- ULCRUM SHAFT						2	
7		SS4120915SP		SCREW 3/16-28 L=9						1	
8		40055585		THRUST COLLAR ASM.						1	
9	R	23612716	23612765	THRUST COLLAR				*		1	1.00
10		SS8660612TP		SCREW 1/4-40 L=6				*		2	
11		23612807		METAL,A						1	
12		40052274		METAL B						1	
13		23613052		FEED CHANGING S- HAFT ARM ASM.,B						1	
14		23613003		FEED CHANGING SHAFT ARM,B				*		1	
15		SS6121610SP		SCREW 3/16-28 L=15.5				*		1	
16		23613102		FEED CHANGING S- HAFT ARM B PIN						1	
17		40013470		FEED ADJUSTING ROD						1	
18		23613300		FEED ADJUSTING BASE						1	
19		23613409		FEED ADJUSTING PIN						1	
20		23613508		ADJUSTING BASE SHAFT METAL						1	
21		23613607		FEED LEVER						1	
22		23613706		FEED LEVER SHAFT						1	
23		23613805		FEED LEVER SHAFT METAL						1	
24		23613953		FEED LEVER ARM ASM.						1	
25		SS6121610SP		SCREW 3/16-28 L=15.5				*		1	
26		40009727		FEED ADJUSTING SPRING						1	
27		23614308		FEED LEVER SPRING						1	
28		40023289		SPRINGSUSPENSION						1	
29		22912000		FEED REGULATOR PIN						1	
30		40011723		FEED DIAL						1	
31		22952501		BACK LEVER STOPPER						1	
32		22911804		FEED REGULATOR SCREW						1	
33		22912109		FEED REGULATOR PIN SPRING						1	
34		CS111101CSH		THRUST COLLAR A- SM.D=11.11 W=10						1	
35		SS8660330SP		SCREW 1/4-40 L= 3.0				*		2	
36		NS6110310SP		NUT 11/64-40						1	
37		NS6150310SP		NUT 15/64-28						1	
38		RE0500000K0		E-RING 5						1	
39		WS0510002KP		SPRING WASHER 5.1X9.2X1.3						1	
40		RO092270200		RUBBER RING						1	
41		SM80608A2TP		L=8SCREW M6 L=8						2	
42		SS6090670TP		SCREW 9/64-40 L=6						2	
43		SS6121840SP		SCREW 3/16-28 L=18						1	
44		SS6121860SP		SCREW 3/16-28 L=18						1	

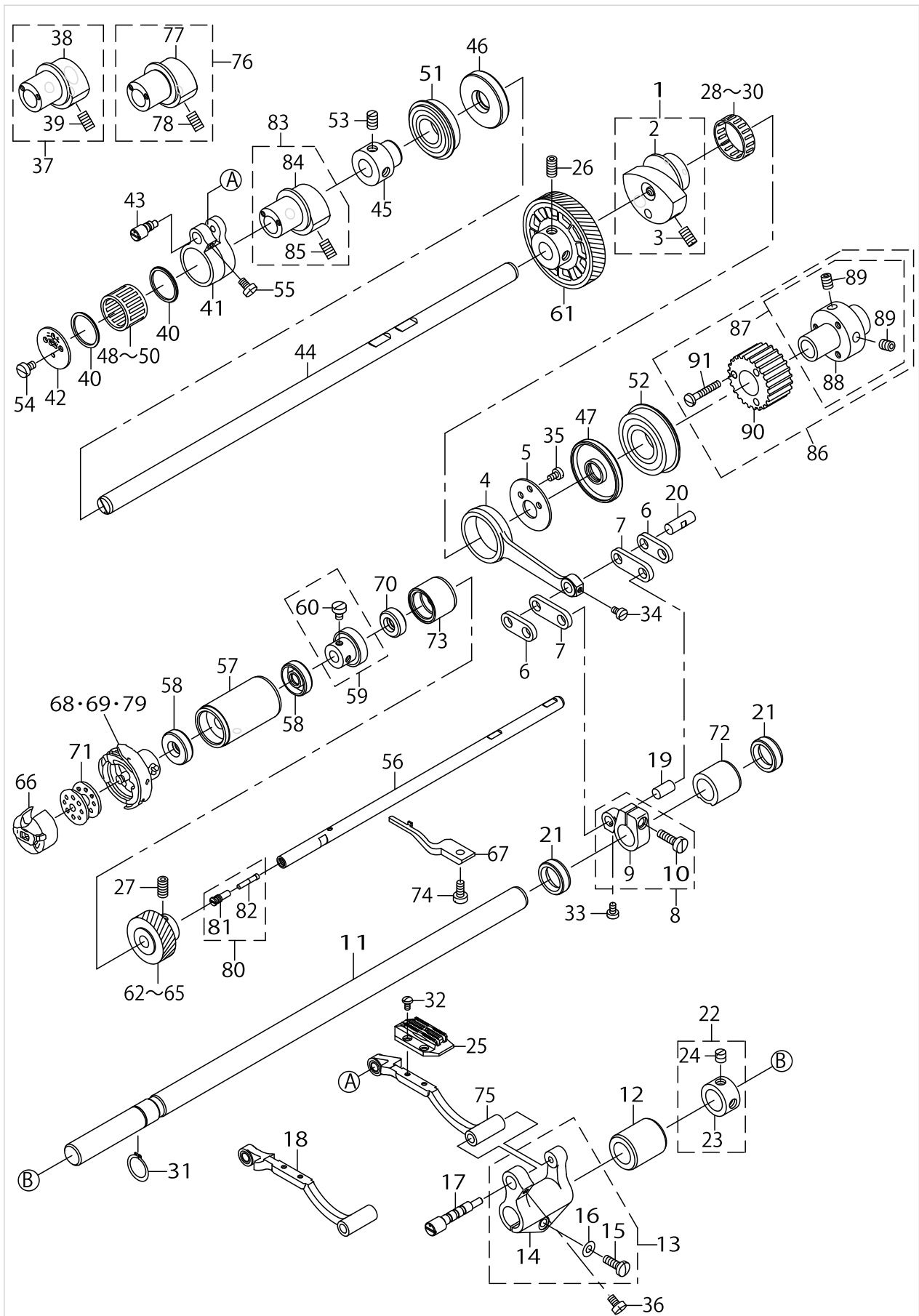
FEED ADJUST MECHANISM COMPONENTS



FEED ADJUST MECHANISM COMPONENTS

No.	Supply Code	Parts No.	Replacement	Parts name	Remarks	Choice	Step	Level	Cons	Qty	Rep. QTY
45		SS6151920TP		SCREW 15/64-28 L=19.0						2	
46		23614407		FEED DIAL RUBBER						1	
47		23630007		TUBE						.09	
48		23612500		FEED CHANGING SHAFT						1	
49		23612609		FEED CHANGING SHAFT OIL SEAL						1	
50		40009731		CONNECTING PIN						1	
51		40009724		ADJUSTING LINK SPRING						1	
52		10548501		THREAD TAKE-UP CRANK SPACER						2	
53		WP0951016SP		WASHER 9.53X15X1						1	
54		40009789		ADJUSTING LINK SPRING HOOK						1	
55		40011724		FEED CHANGING S- HAFT ARM A ASM.						1	
56		SS6661110SP		SCREW 1/4-40 L=11				*		1	
57		40009729		FEED CHANGING SHAFT ARM A				*		1	
58		SS6661110SP		SCREW 1/4-40 L=11				*		1	
59		40061560		FEED_CHANGING_B- ALANCER_ARM_ASM						1	
60		SM6061802TP		SCREW M6 L=18				*		1	
61		40061545		FEED_CHANGING_BALANCER_ARM				*		1	

HORIZONTAL FEED & VERTICAL FEED AND HOOK DRIVING SHAFT COMPONENTS

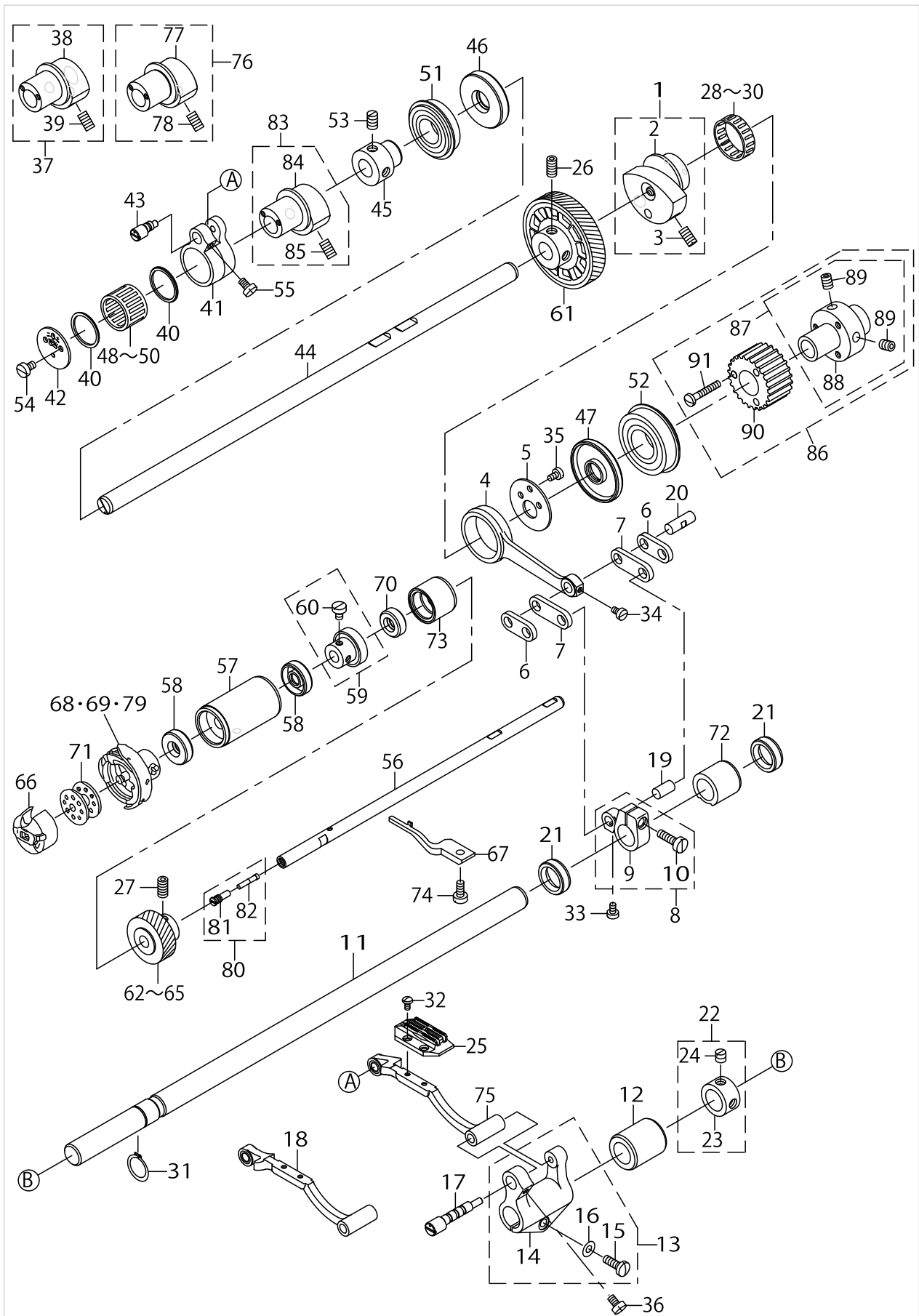


HORIZONTAL FEED & VERTICAL FEED AND HOOK DRIVING SHAFT COMPONENTS

No.	Supply Code	Parts No.	Replacement	Parts name	Remarks	Choice	Step	Level	Cons	Qty	Rep. QTY
1		23616055		FEED ROCKER CAM ASM.						1	
2		23616006		FEED ROCKER CAM				*		1	
3		SS8151150TP		SCREW 15/64-28 L=10.5				*		2	
4		23616105		FEED ROCKER ROD						1	
5		23616204		FEED ROCKER CAM PLATE						1	
6		23616303		CONNECTING LINK,A						2	
7		23616402		CONNECTING LINK,B						2	
8		23616550		FEED ROCKER ARM ASM.						1	
9	R	23616501	23616550	FEED ROCKER ARM				*		1	1.00
10		SS6121610SP		SCREW 3/16-28 L=15.5				*		1	
11		40000247		FEED ROCKER SHAFT						1	
12		23616709		FEED ROCKER SHAFT METAL						1	
13		23616857		FEED ROCKER BASE ARM ASM.						1	
14	R	23616808	23616857	FEED ROCKER BASE ARM				*		1	1.00
15		SS7121410TP		SCREW 3/16-28 L=14				*		1	
16		WP0480856SP		WASHER 4.8X8.4X0.8				*		1	
17		23616907		FEED ROCKER BASE SHAFT						1	
18		40000249		FEED BASE COMPL.	OPTIONAL PARTS					1	
19		22911002		WALKING FOOT PIN B						1	
20		22911101		WALKING FOOT PIN C						1	
21		40029963		OIL SEAL						2	
22		22904155		MAIN SHAFT THRU-ST COLLAR ASM.						1	
23	R	22904106	22904155	MAIN SHAFT THRUST COLLAR				*		1	1.00
24		SS8660610TP		SCREW 1/4-40 L=6				*		2	
25		D1609415B00		FEED DOG						1	
26		SS8661012TP		SCREW						2	
27		SS8661012TP		SCREW						2	
28		B412352200A		NEEDLE ROLLAR A	SELECTIVE PARTS					1	
29		B412352200B		NEEDLE ROLLAR B	SELECTIVE PARTS					1	
30		B412352200C		NEEDLE ROLLAR C	SELECTIVE PARTS					1	
31		RC0150001KP		RETAINING RING 13.8						1	
32		SS4080620TP		SCREW 1/8-44 L=6						2	
33		SS6090620TP		SCREW						1	
34		SS6090620TP		SCREW						1	
35		SS6090670TP		SCREW 9/64-40 L=6						2	
36		SS7110740TP		SCREW 11/64-40 L=7						1	
37		40000257		FEED DRIVING CAM ASM. 2	OPTIONAL PARTS					1	
38		40000258		FEED DRIVING CAM 2				*		1	
39		SS8151150TP		SCREW 15/64-28 L=10.5				*		2	
40		23618101		FEED DRIVING CAM THRUST BUSH						2	
41		23618200		FEED DRIVING BASE ARM						1	
42		23618309		FEED DRIVING CAM PLATE						1	
43		23618408		FEED DRIVING BASE SHAFT						1	
44		40011711		FEED DRIVING SHAFT						1	
45		23618606		BEARING SUPPORT						1	



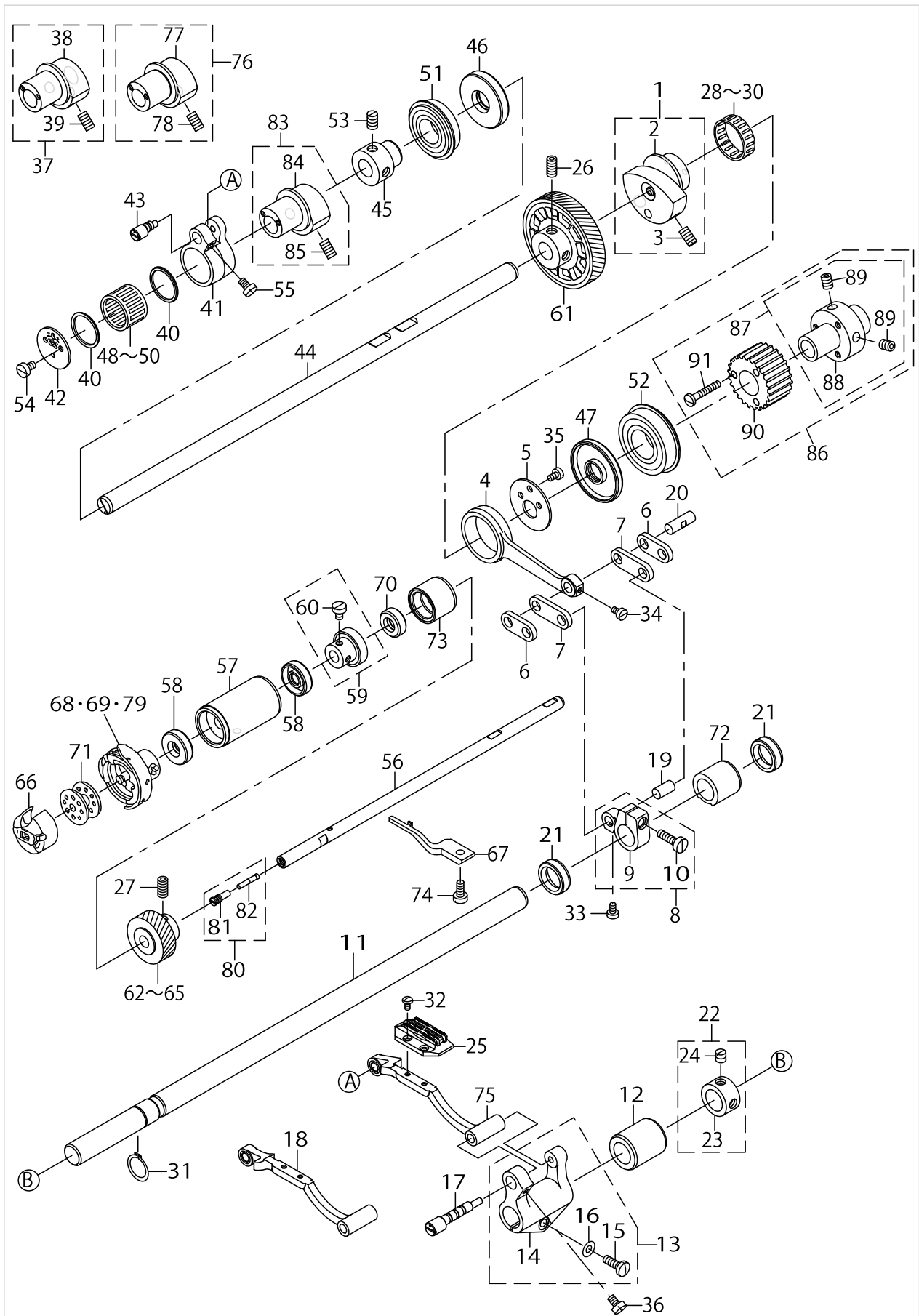
HORIZONTAL FEED & VERTICAL FEED AND HOOK DRIVING SHAFT COMPONENTS



HORIZONTAL FEED & VERTICAL FEED AND HOOK DRIVING SHAFT COMPONENTS

No.	Supply Code	Parts No.	Replacement	Parts name	Remarks	Choice	Step	Level	Cons	Qty	Rep. QTY
46		23618705		OIL SEAL						1	
47		23618804		OIL SEAL						1	
48		SB32000060A		BEARING	SELECTIVE PARTS					1	
49		SB32000060B		BEARING	SELECTIVE PARTS					1	
50		SB32000060C		BEARING	SELECTIVE PARTS					1	
51		SB117000400		BEARING						1	
52		SB120001000		BEARING						1	
53		SS8661012TP		SCREW						2	
54		SS6090670TP		SCREW 9/64-40 L=6						2	
55		SS6110710TP		SCREW 11/64-40 L= 6.5						1	
56		23620008		HOOK SHAFT						1	
57		23620156		HOOK SHAFT METAL COMPL.						1	
58	R	23620206	40145927	OIL SEAL						2	1.00
59		40044877		HOOK SHAFT BEARING SUPPORT ASM.						1	
60		SS6110650TP		SCREW 11/64-40 L=5.5				*		2	
61		23620503		GEAR,LARGE						1	
62		23620701		GEAR,SMALL(A)	SELECTIVE PARTS					1	
63		23620800		GEAR,SMALL(B)	SELECTIVE PARTS					1	
64		23620909		GEAR,SMALL(C)	SELECTIVE PARTS					1	
65		23621006		GEAR,SMALL(D)	SELECTIVE PARTS					1	
66		40000264		BOBBIN CASE ASM.						1	
67		40000265		INNER HOOK PRESSER						1	
68		11141355		HOOK ASM. C	FOR DLN--9010SS(JE,JA)					1	
69		11038650		HOOK ASM.	FOR DLN--9010SS(GENERAL EXPORT)					1	
70		22890008		HOOK DRIVING SHAFT OIL SEAL						1	
71		22932909		BOBBIN						1	
72		40000248		HORIZONTAL FEED SHAFT METAL						1	
73		23620404		HOOK SHAFT REAR METAL						1	
74		SS6111010TP		SCREW 11/64-40 L= 9.5						1	
75		23617053		FEED BASE COMPL.						1	
76		23619158		FEED DRIVING CAM ASM. F	OPTIONAL PARTS					1	
77		23619109		FEED DRIVING CAM F				*		1	
78		SS8151150TP		SCREW 15/64-28 L=10.5				*		2	
79		23621303		HOOK ASM. K	OPTIONAL PARTS					1	
80		22916555		OILSEALSCREWASM.						1	
81		22916506		SET SCREW				*		1	
82		11015906		OIL WICK				*		1	
83		23618051		FEED DRIVING CAM ASM.						1	
84	R	23618002	23618051	FEED DRIVING CAM				*		1	1.00
85		SS8151150TP		SCREW 15/64-28 L=10.5				*		2	
86		40031608		SPROCKET ASM.						1	
87		40031607		SPROCKET SUPPORT ASM.				*		1	
88		40031606		SPROCKET SUPPORT				*		1	
89		SS8150822TP		SCREW 15/64-28 L=8				*		2	

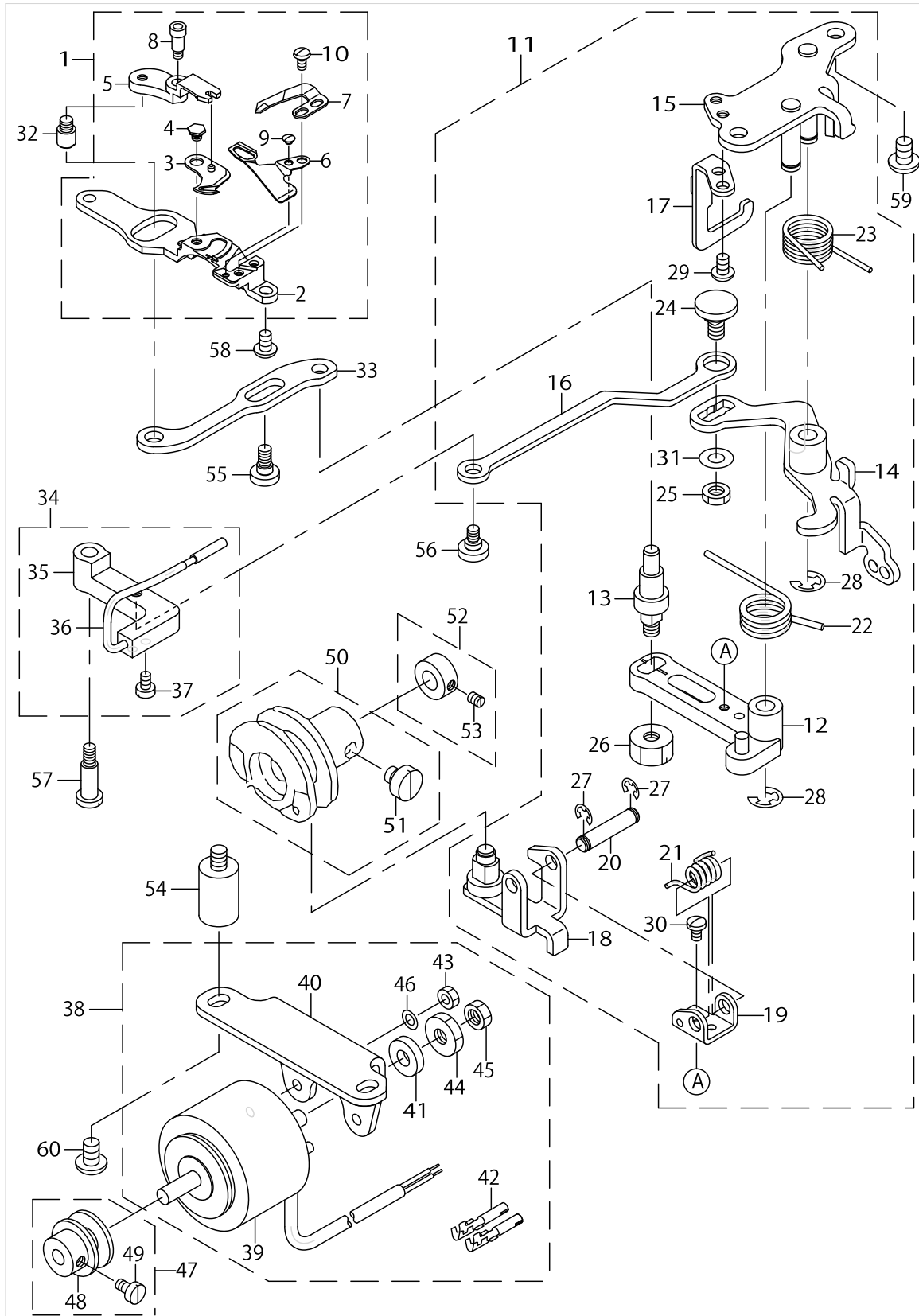
HORIZONTAL FEED & VERTICAL FEED AND HOOK DRIVING SHAFT COMPONENTS



HORIZONTAL FEED & VERTICAL FEED AND HOOK DRIVING SHAFT COMPONENTS

No.	Supply Code	Parts No.	Replacement	Parts name	Remarks	Choice	Step	Level	Cons	Qty	Rep. QTY
90		40031605		SPROCKET				*		1	
91		SS7112420SP		SCREW11/64-40L=24				*		3	

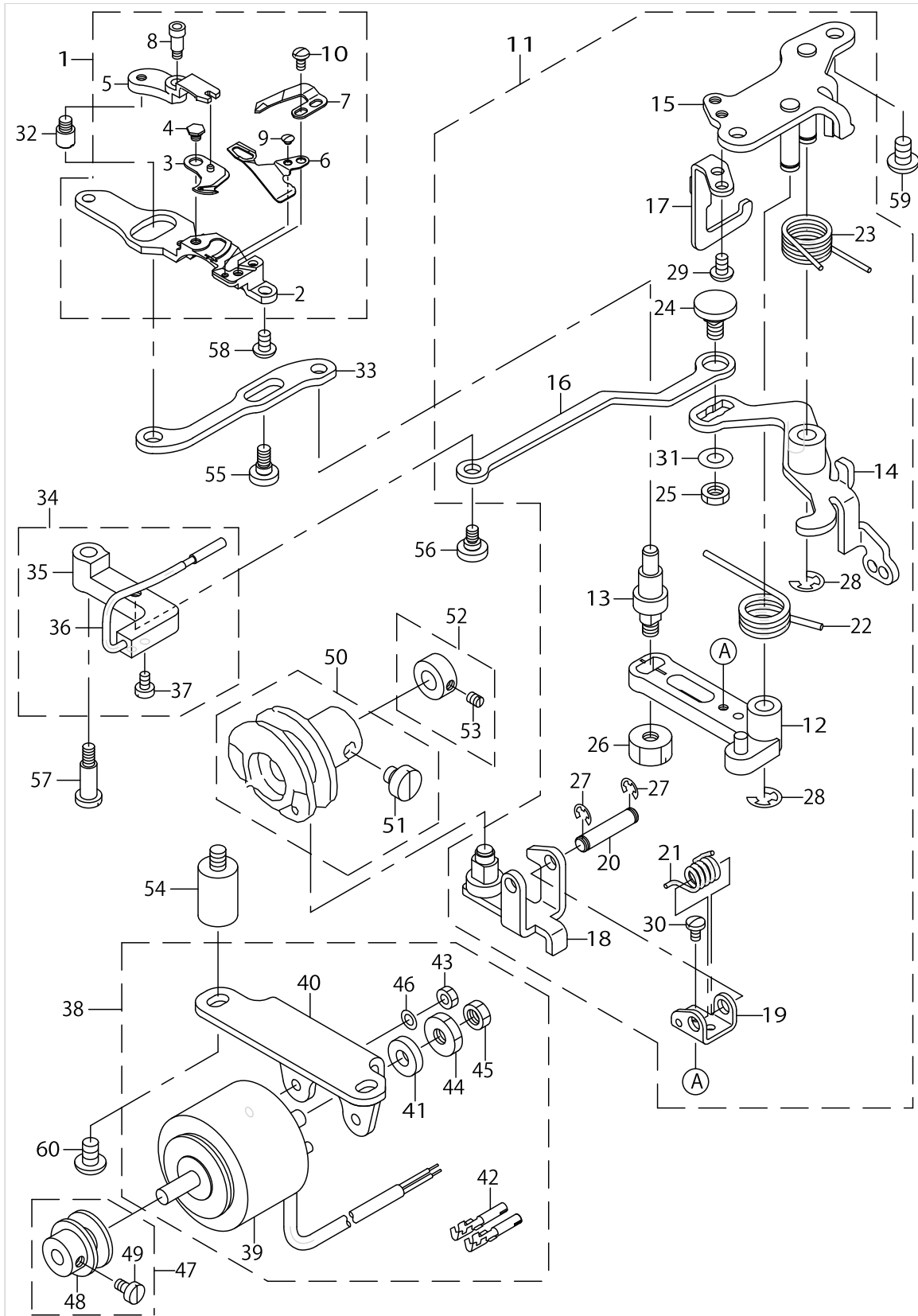
# THREAD TRIMMER COMPONENTS



THREAD TRIMMER COMPONENTS

No.	Supply Code	Parts No.	Replacement	Parts name	Remarks	Choice	Step	Level	Cons	Qty	Rep. QTY
1		40000322		KNIFE UNIT						1	
2		23623002		KNIFE INSTALLING BASE				*		1	
3		11313053		MOVING KNIFE ASM.				*		1	
4		SD0500095TH		HINGE SCREW D= 5 H= 0.85				*		1	
5		11232105		FORKED BASE FOR KNIFE				*		1	
6		40000323		THREAD GUIDE FOR KNIFE				*		1	
7		40000324		COUNTER KNIFE				*		1	
8		SD0460703TP		HINGE SCREW D=4.6 H=7				*		1	
9		SS2060210SP		SCREW 3/32-56 L=2.3				*		1	
10		SS4080620TP		SCREW 1/8-44 L=6				*		2	
11		23623168		THREAD TRIMMER DRIVING UNIT						1	
12		23623150		KNIFE DRIVING ARM ASM.				*		1	
13		23623200		MOVING KNIFE LINK PIN				*		1	
14		23623358		CLUTCH PLATE ASM.				*		1	
15		23623556		BASE PLATE ASM.				*		1	
16		23623705		PICKER LINK				*		1	
17		23623804		DRIVING ARM STOPPER				*		1	
18		11040953		ROLLER ARM ASM.				*		1	
19		22949002		ROLLER ARM SEAT				*		1	
20	R	11041407	22949101	ROLLER FULCRUM SHAFT				*		1	1.00
21		22949200		ROLLER RETURN SPRING				*		1	
22	R	11043700	22949309	KNIFE RETURN SPRING, B				*		1	1.00
23		22949408		CLUTCH SPRING				*		1	
24		22950000		PICKER LINK PIN				*		1	
25		NS6150310SP		NUT 15/64-28				*		1	
26		NS6150810SP		NUT 15/64-28				*		1	
27		RE0400000K0		E-RING 4				*		2	
28		RE0600000K0		E-RING 6				*		2	
29		SS4110715SP		SCREW 11/64-40 L=7				*		2	
30		SS7090610SP		SCREW 9/64-40 L=6				*		1	
31		WP0621016SH		WASHER				*		1	
32		23623903		PIN						1	
33		23624000		MOVING KNIFE LINK						1	
34		23624158		PICKER ARM ASM.						1	
35		23624109		PICKER ARM				*		1	
36		23624257		THREAD TAKE-UP PICKER ASM.				*		1	
37		SS6090620TP		SCREW				*		2	
38		23624356		SOLENOID ASM.						1	
39	R	23624307	23624356	SOLENOID				*		1	1.00
40		23624406		SOLENOID BASE				*		1	
41		11043304		SOLENOID RUBBER				*		1	
42		HK03464000B		PIN CONTACT				*		2	
43		NM6040000SN		NUT M4				*		2	
44		NS6660410SH		NUT				*		1	
45		NS6660430SP		NUT 1/4-40				*		1	
46		WP0430800SC		WASHER M4				*		2	

THREAD TRIMMER COMPONENTS

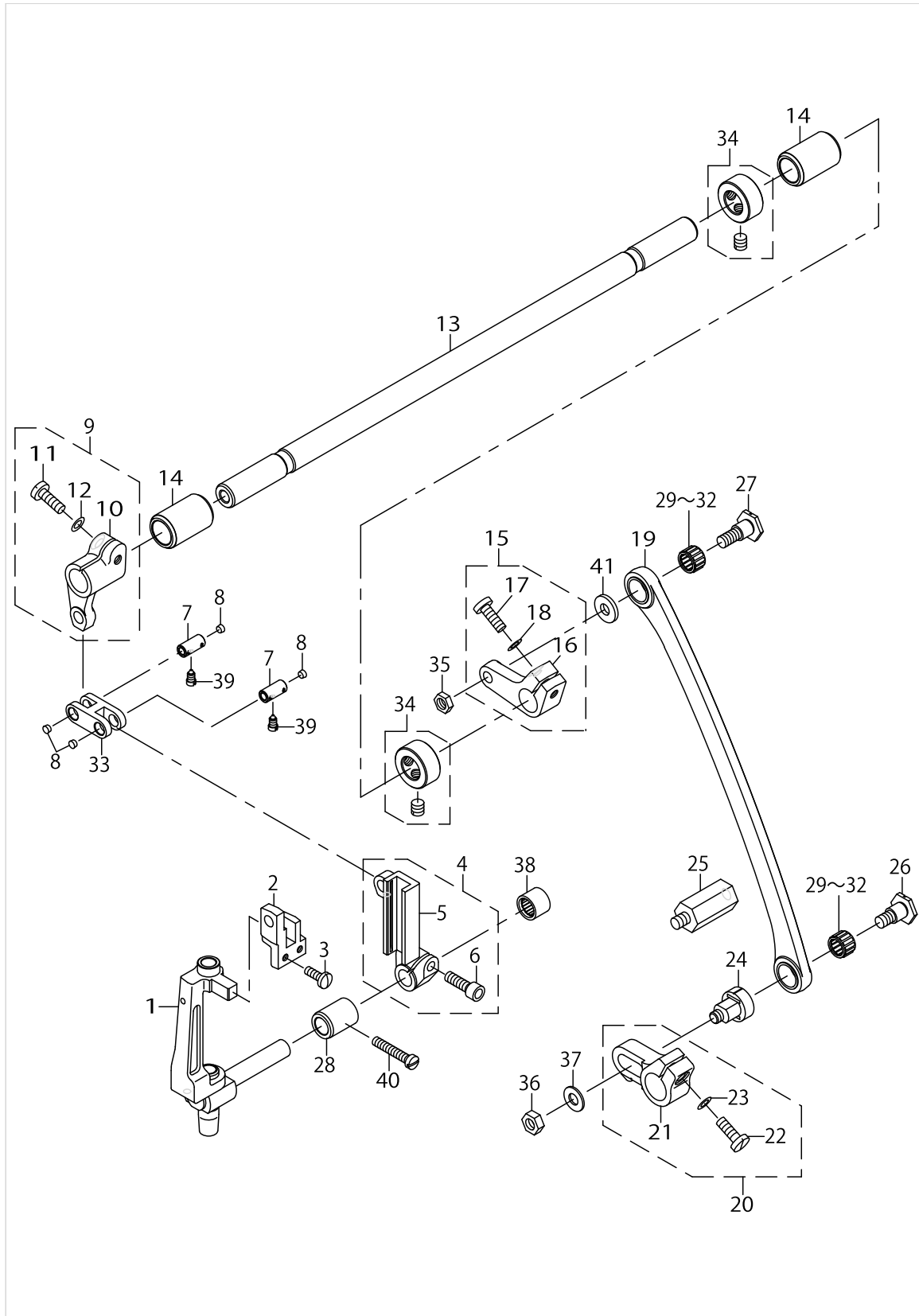


THREAD TRIMMER COMPONENTS

No.	Supply Code	Parts No.	Replacement	Parts name	Remarks	Choice	Step	Level	Cons	Qty	Rep. QTY
47		23624554		DRIVING BLOCK ASM.						1	
48		23624505		DRIVING BLOCK				*		1	
49		SS6110710TP		SCREW 11/64-40 L= 6.5				*		1	
50	R	11042850	22950851	THREAD TRIMMER CAM ASM.						1	1.00
51		SS6660610TP		SCREW 1/4-40 L=6				*		2	
52		22950950		CAM COLLAR ASM.						1	
53		SS8110520TP		SCREW 11/64-40 L= 4.5				*		1	
54		40023290		SOLENOID BASE STUD						2	
55		SD0600321SP		HINGE SCREW D=6 H=3.2						1	
56		SD0630275SP		HINGE SCREW D= 6.35 H= 2.7						1	
57		SD0641452TP		HINGE SCREW D=6.35 H=14.5						1	
58		SS4110715SP		SCREW 11/64-40 L=7						2	
59		SS4150915SP		SCREW 15/64-28 L=9						2	
60		SS4150915SP		SCREW 15/64-28 L=9						2	



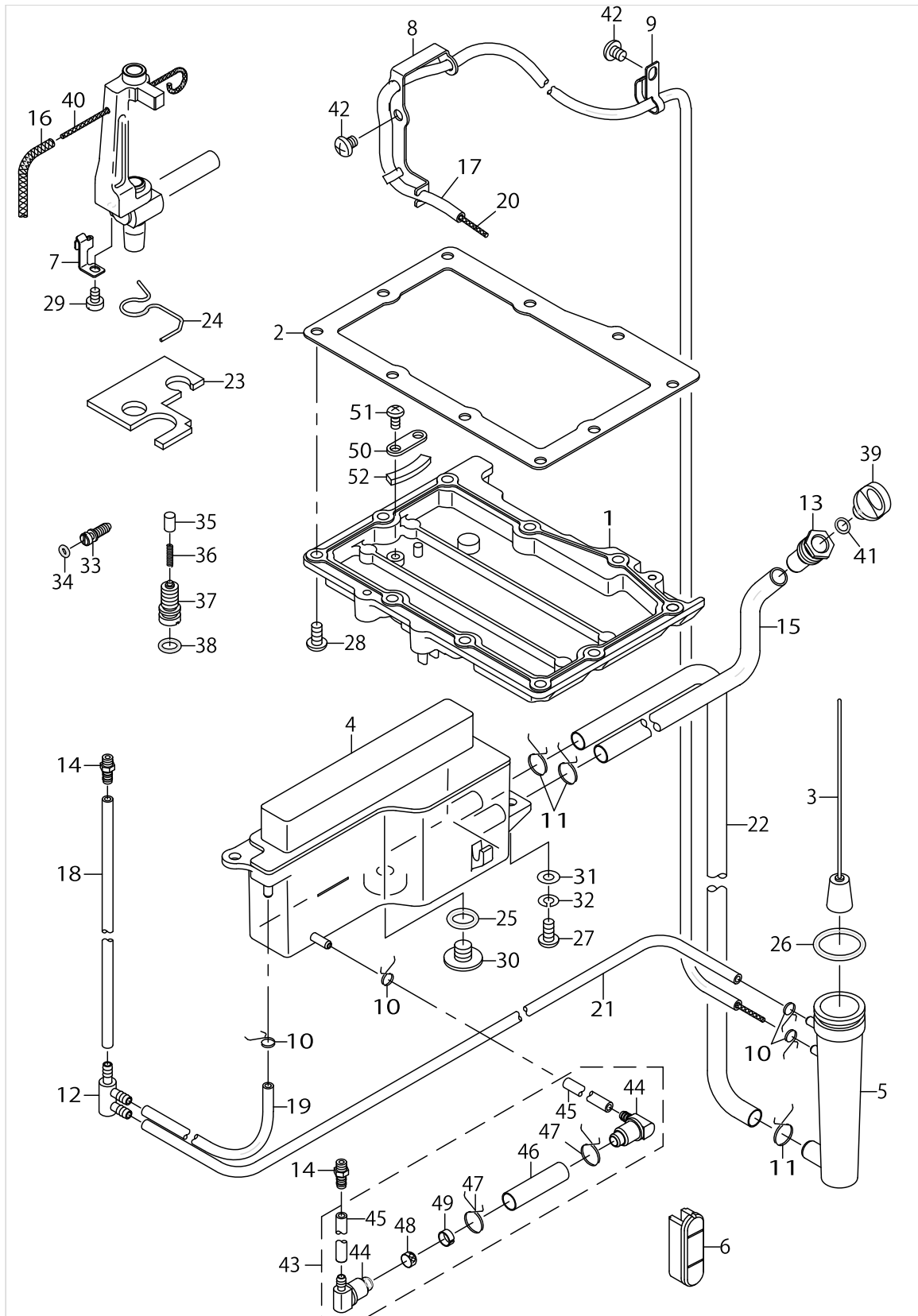
# NEEDLE BAR FRAME COMPONENTS



NEEDLE BAR FRAME COMPONENTS

No.	Supply Code	Parts No.	Replacement	Parts name	Remarks	Choice	Step	Level	Cons	Qty	Rep. QTY
1		40000281		ROCKING BASE COMPL.						1	
2		40000289		ROCKING BASE GUIDE						1	
3		SS7091110TP		SCREW 9/64-40 L=10.5						2	
4		40000291		SLIDE BLOCK GUIDE ASM.						1	
5		40000292		SLIDE BLOCK GUIDE				*		1	
6		SM6051602TP		SCREW M5X0.8 L=16				*		1	
7		40000293		LINK PIN						2	
8		TA0340201R0		PLUG D=3.4X3.9 L=S						4	
9		40000295		DRIVING CRANK ASM. ,FRONT						1	
10	R	40000296	40000295	DRIVING CRANK ,FRONT				*		1	1.00
11		SS7121410TP		SCREW 3/16-28 L=14				*		1	
12		WP0480856SP		WASHER 4.8X8.4X0.8				*		1	
13		40000298		NEEDLE FEED SHAFT						1	
14		40000299		NEEDLE FEED SHAFT METAL						2	
15		40000301		DRIVING CRANK ASM. ,REAR						1	
16		40000302		DRIVING CRANK ,REAR				*		1	
17		SS7121410TP		SCREW 3/16-28 L=14				*		1	
18		WP0480856SP		WASHER 4.8X8.4X0.8				*		1	
19		40000304		NEEDLE FEED ROD CPML.						1	
20		40000307		NEEDLE FEED ARM ASM.						1	
21		40000308		NEEDLE FEED ARM				*		1	
22		SS7121410TP		SCREW 3/16-28 L=14				*		1	
23		WP0480856SP		WASHER 4.8X8.4X0.8				*		1	
24		40000309		NEEDLE FEED ADJUSTING BLOCK						1	
25		40000311		NEEDLE FEED ROD STRUT						1	
26		SD0800801TP		STEP-SCREW D=8 H=8						1	
27		SD0800802TP		STEP-SCREW D=8 H=8						1	
28		11214509		BUSHING						1	
29		B1905541A00		NEEDLE BEARING	SELECTIVE PARTS					2	
30		B1905541B00		NEEDLE BEARING	SELECTIVE PARTS					2	
31		B1905541C00		NEEDLE BEARING	SELECTIVE PARTS					2	
32		B1905541D00		NEEDLE BEARING	SELECTIVE PARTS					2	
33		B2906415000		DRIVING LINK						1	
34		CS120101BSH		THRUST COLLAR ASM.						2	
35		NS6150310SP		NUT 15/64-28						1	
36		NS6150430SP		NUT 15/64-28						1	
37		WP0621016SD		WASHER 6.2X13X1						1	
38		SB309000400		BEARING						1	
39		SS6090660TP		SCREW 9/64-40 L=6						2	
40		SS7112420SP		SCREW11/64-40L=24						1	
41		WP0602016SP		WASHER						1	

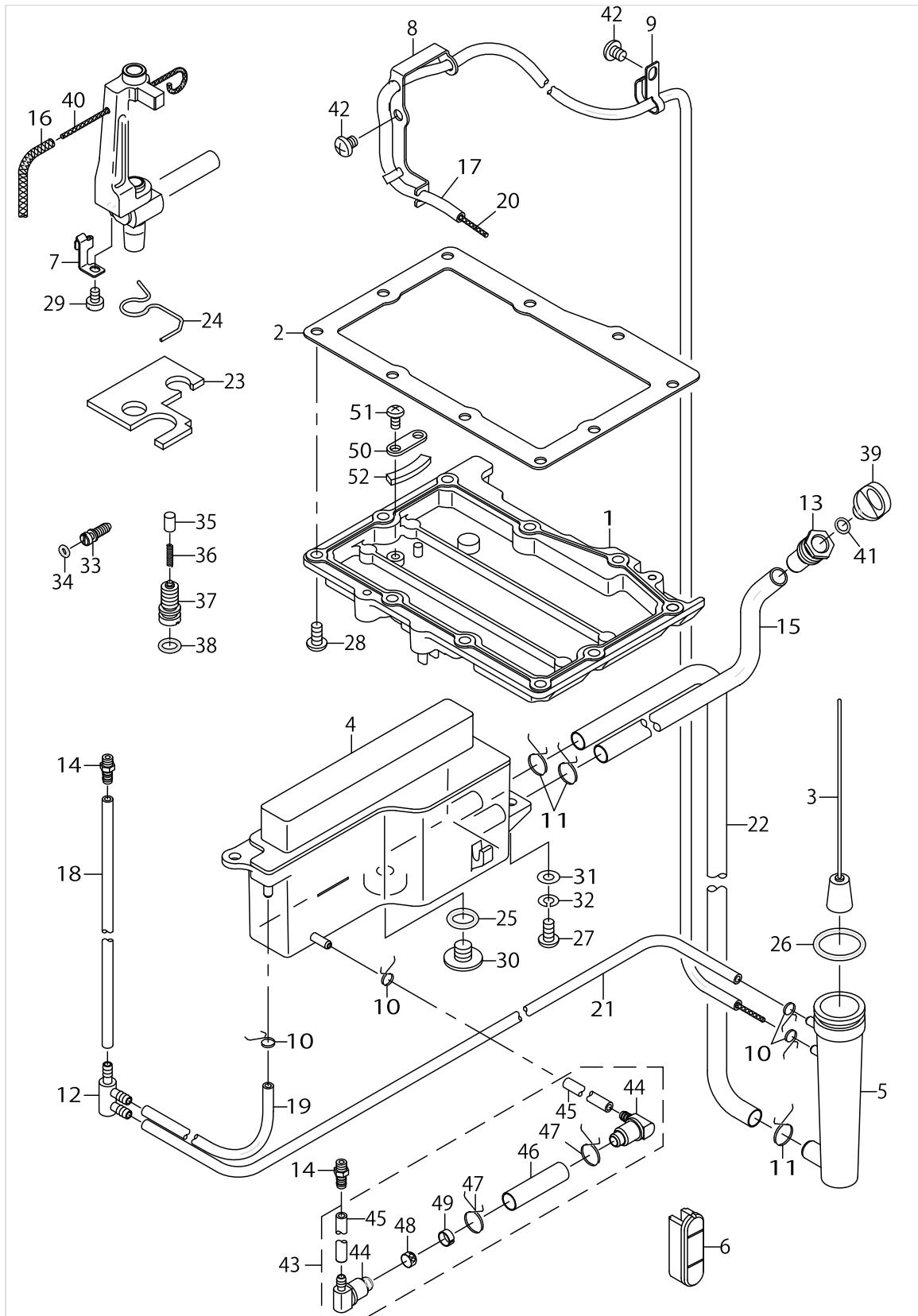
# OIL LUBRICATION COMPONENTS



OIL LUBRICATION COMPONENTS

No.	Supply Code	Parts No.	Replacement	Parts name	Remarks	Choice	Step	Level	Cons	Qty	Rep. QTY
1		40011344		GEAR BOX COVER						1	
2		23628100		GEAR BOX PACKING						1	
3		23628357		FLOATER ASM.						1	
4		23628555		OIL TANK ASM.						1	
5		23628704		FLOATER CASE						1	
6		23629108		OIL SIGHT WINDOW						1	
7		40000339		OIL WICK SUPPORT						1	
8		40000340		PIPE SUPPORT A						1	
9		40022407		CORD HOLDER						1	
10		23629306		PIPE STOPPER A						4	
11		23629405		PIPE STOPPER B						3	
12		23629504		DISTRIBUTOR A						1	
13		40000343		LUBRICATING INLET						1	
14		23629801		LUBRICATION CONNECTOR						2	
15		23630106		TUBE B						.34	
16		23629702		OIL WICK						.1	
17		23630007		TUBE						.72	
18		23630007		TUBE						.04	
19		23630007		TUBE						.07	
20		CQ200000001		OIL WICK						.8	
21		23630007		TUBE						.38	
22		23630106		TUBE B						.23	
23		40000342		FELT						1	
24		11307006		OIL FELT PRESSER						1	
25		RO098240100		RUBBER RING						1	
26		RO195240100		RUBBER RING						1	
27		SS4121015SP		SCREW 3/16-28 L=10						2	
28		SS4121015SP		SCREW 3/16-28 L=10						10	
29		SS6090620TP		SCREW						1	
30		23630205		SCREW						1	
31		WP0501016SD		WASHER 5X10.5X1						2	
32		WS0510002KP		SPRING WASHER 5.1X9.2X1.3						2	
33		23628209		OIL ADJUSTING SCREW						1	
34		RO029180100		RUBBER RING						1	
35		23628803		PLUNGER						1	
36		23628902		PLUNGER SPRING						1	
37		23629009		PLUNGER SCREW						1	
38		RO068190100		RUBBER RING						1	
39		40000344		LUBRICATING INLET CAP						1	
40		CQ200000001		OIL WICK						.25	
41		RO048190100		RUBBER RING						1	
42		SS4120615SP		SCREW 3/16-28 L=6						2	
43		23630452		OIL FILTER ASM.						1	
44		23630601		OIL FILTER JOINT					*	2	
45		23630007		TUBE					*	0.09	
46		23630106		TUBE B					*	0.04	

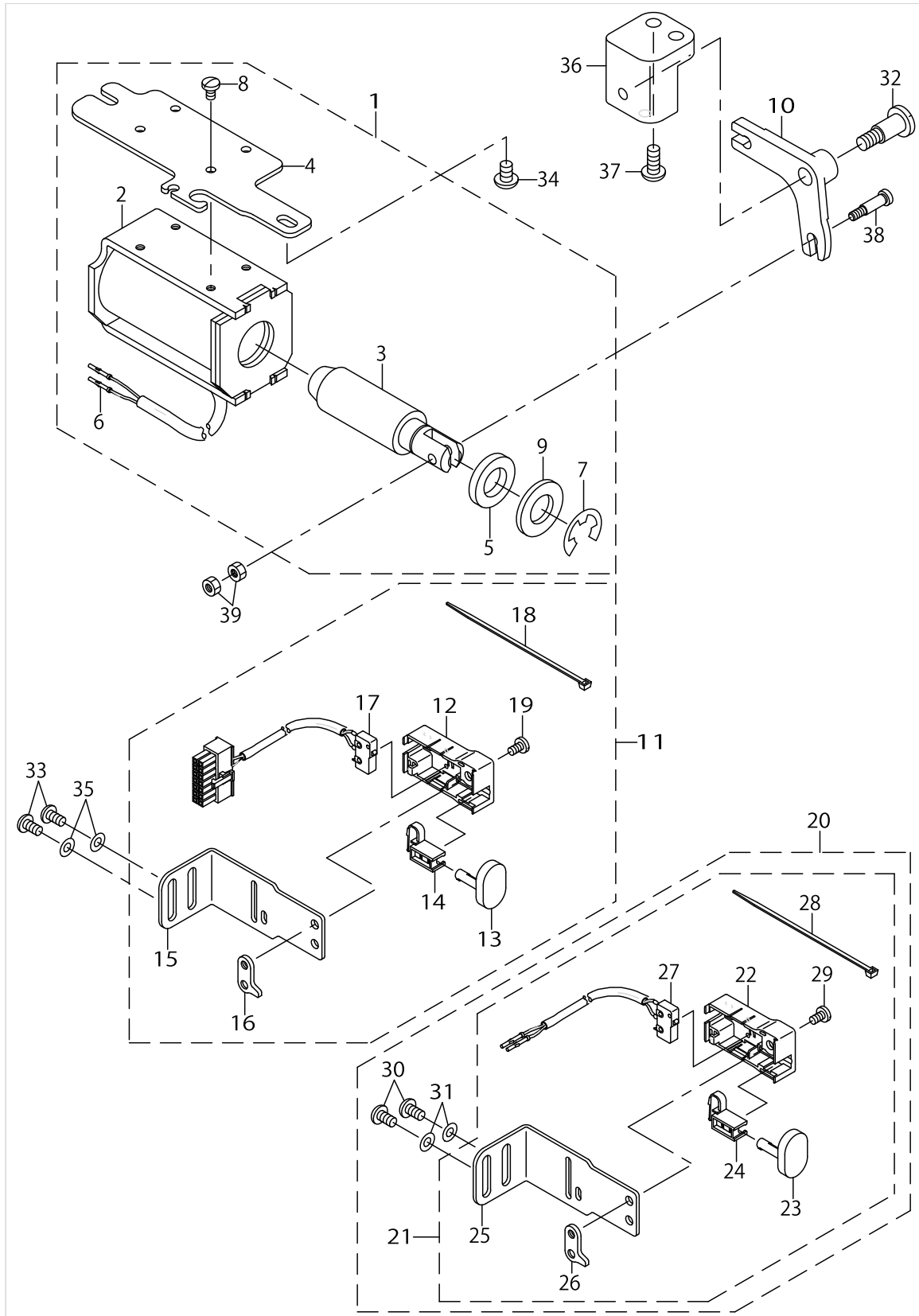
OIL LUBRICATION COMPONENTS



OIL LUBRICATION COMPONENTS

No.	Supply Code	Parts No.	Replacement	Parts name	Remarks	Choice	Step	Level	Cons	Qty	Rep. QTY
47		23629405		PIPE STOPPER B				*		2	
48	R	23630403	23630650	OIL FILTER				*		1	1.00
49	R	23630502	23630650	OIL FILTER STOPPER				*		1	1.00
50		40024644		MAGNET WASHER						1	
51		ST4040821SS		TAPPING SCREW						1	
52		23604705		MAGNET						1	

# AUTOMATIC REVERSE FEED COMPONENTS

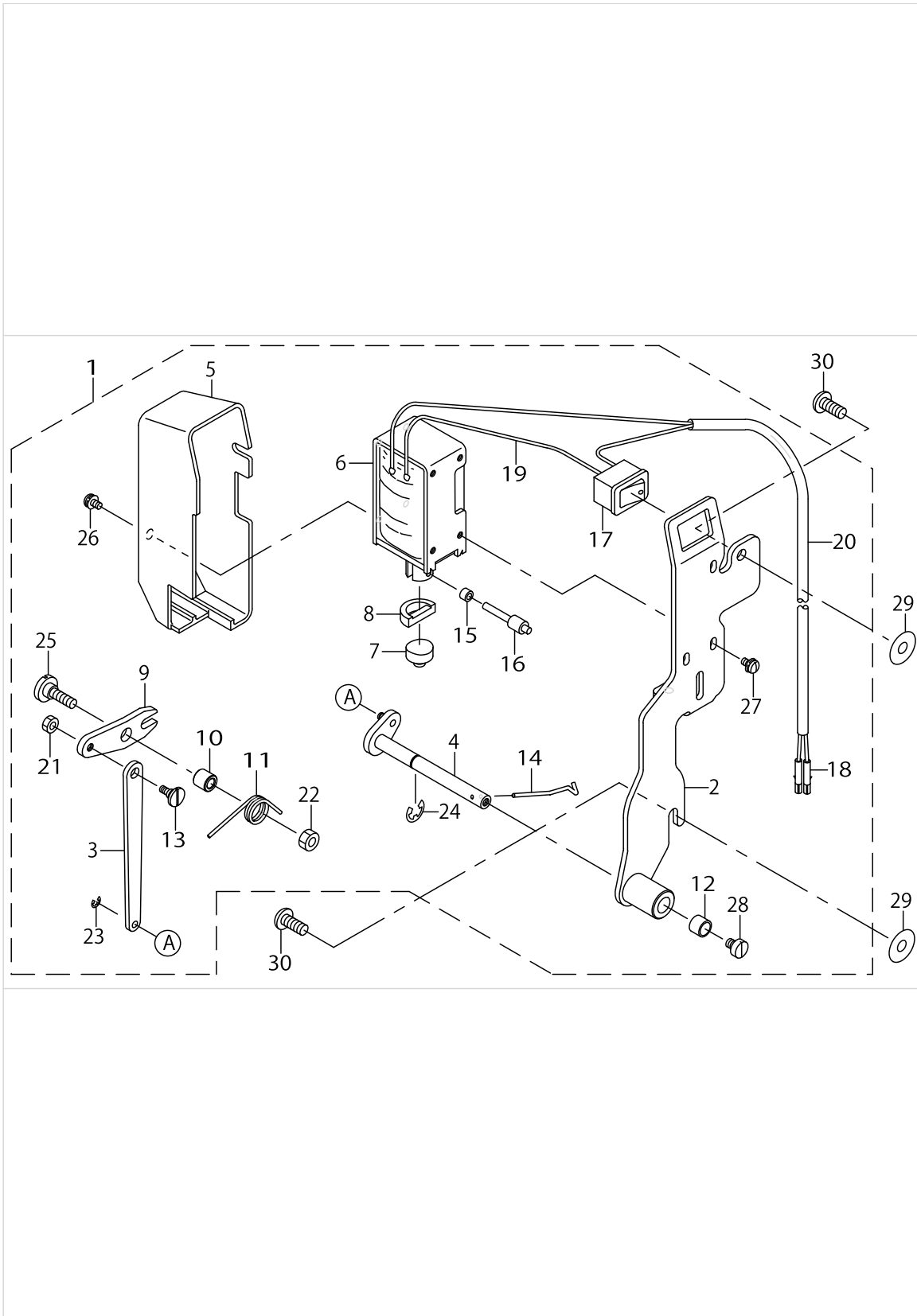


AUTOMATIC REVERSE FEED COMPONENTS

No.	Supply Code	Parts No.	Replacement	Parts name	Remarks	Choice	Step	Level	Cons	Qty	Rep. QTY
1		23631054		REVERSE FEED SOLENOID BASE ASM						1	
2	R	23631005	23631054	REVERSE FEED SOLENOID				*		1	1.00
3	R	23631104	40083305	REVERSE FEED SOLENOID PLUNGER				*		1	1.00
4		23631203		REVERSE FEED SOLENOID BASE				*		1	
5		D2468555B00		RUBBER PLUNGER				*		1	
6		HK03464000B		PIN CONTACT				*		2	
7		RE120000K0		E-RING 12				*		1	
8		SS7110740TP		SCREW 11/64-40 L=7				*		4	
9		WP1703001SC		WASHER 17X30X3				*		1	
10		23631302		REVERSE FEED ARM						1	
11		40000349		REVERSE FEED SWITCH ASM.						1	
12		23631708		REVERSE FEED SWITCH COVER				*		1	
13		23631807		REVERSE FEED SWITCH SHAFT				*		1	
14		23631906		REVERSE FEED SWITCH SUPPORT				*		1	
15		40000350		REVERSE FEED SWITCH BASE				*		1	
16		23632102		REVERSE FEED SWITCH BASE GUIDE				*		1	
17	R	23632359	23631757	REVERSE FEED CORD ASM.				*		1	1.00
18		EA9500B0100		CABLE BAND				*		1	
19		SS7110740TP		SCREW 11/64-40 L=7				*		1	
20		40000380		OPTIONAL SWITCH WHOLE ASM.	OPTIONAL PARTS					1	
21		40000381		OPTIONAL SWITCH WHOLE ASM.				*		1	
22		23631708		REVERSE FEED SWITCH COVER				*		1	
23		23631807		REVERSE FEED SWITCH SHAFT				*		1	
24		23631906		REVERSE FEED SWITCH SUPPORT				*		1	
25		40000350		REVERSE FEED SWITCH BASE				*		1	
26		23632102		REVERSE FEED SWITCH BASE GUIDE				*		1	
27		23632250		REVERSE FEED CORD ASM.				*		1	
28		EA9500B0100		CABLE BAND				*		1	
29		SS7110740TP		SCREW 11/64-40 L=7				*		1	
30		SS4120915SP		SCREW 3/16-28 L=9				*		2	
31		WP0501016SD		WASHER 5X10.5X1				*		2	
32		SD0951501SP		HINGE SCREW D= 9.53 H=15						1	
33		SS4120915SP		SCREW 3/16-28 L=9						2	
34		SS4150915SP		SCREW 15/64-28 L=9						2	
35		WP0501016SD		WASHER 5X10.5X1						2	
36		40000351		REVERSE FEED BASE						1	
37		SS4151415SP		SCREW 15/64-28 L=14						2	
38		22962906		PLUNGER ARM PIN						1	
39		NS6110350SP		NUT 11/64-40						2	



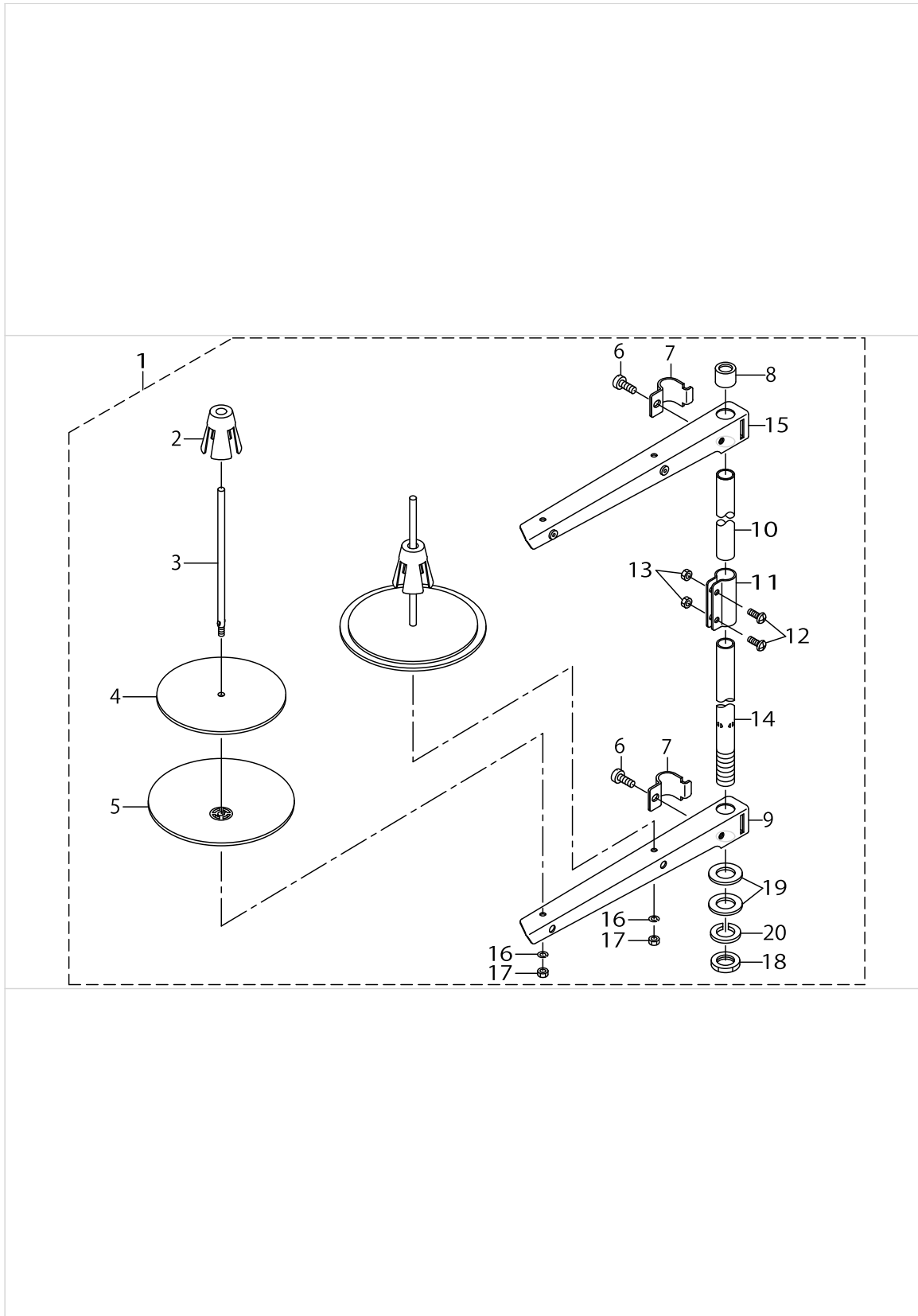
WIPER COMPONENTS



WIPER COMPONENTS

No.	Supply Code	Parts No.	Replacement	Parts name	Remarks	Choice	Step	Level	Cons	Qty	Rep. QTY
1		40000355		WIPER ASM.						1	
2		40000356		WIPER BASE COMPL.				*		1	
3		40000358		WIPER LINK B				*		1	
4		40000359		WIPERSHAFTCOMPL.				*		1	
5		22955504		WIPER COVER				*		1	
6	R	11110301	40106936	WIPER SOLENOID				*		1	1.00
7		22955900		WIPER RUBBER A				*		1	
8		22956007		WIPER RUBBER B				*		1	
9		22956106		WIPER LINK A				*		1	
10		22956205		WIPER HINGE SCREW COLLAR				*		1	
11		22956304		WIPER SPRING				*		1	
12		22956809		WIPER COLLAR				*		1	
13		22956908		WIPER LINK B HINGE SCREW				*		1	
14		40000361		WIPER				*		1	
15		22957203		WIPER LINK COLLAR				*		1	
16		22957104		WIPER SOLENOID SHAFT				*		1	
17		HA006000000		SWITCH				*		1	
18		HK03464000B		PIN CONTACT				*		2	
19		HW200390000		ELECTRIC WIRE				*		0.03	
20		HW500070000		2-CORE CABTYRE CORD				*		1.19	
21		NS6090310SP		NUT 9/64-40				*		1	
22		NS6110310SP		NUT 11/64-40				*		1	
23		RE0250000K0		E-RING 2.5				*		1	
24		RE0500000K0		E-RING 5				*		1	
25		SD0650321TP		HINGE SCREW D=6.5 H=3.2				*		1	
26		SL4030631SC		SCREW M3X6				*		1	
27		SL4030641SE		SCREW				*		3	
28		SS6090540SP		SCREW 9/64-40 L=5.0				*		1	
29		WP0553216SD		WASHER						2	
30		SS4121215SP		SCREW 3/16-28 L=12						2	

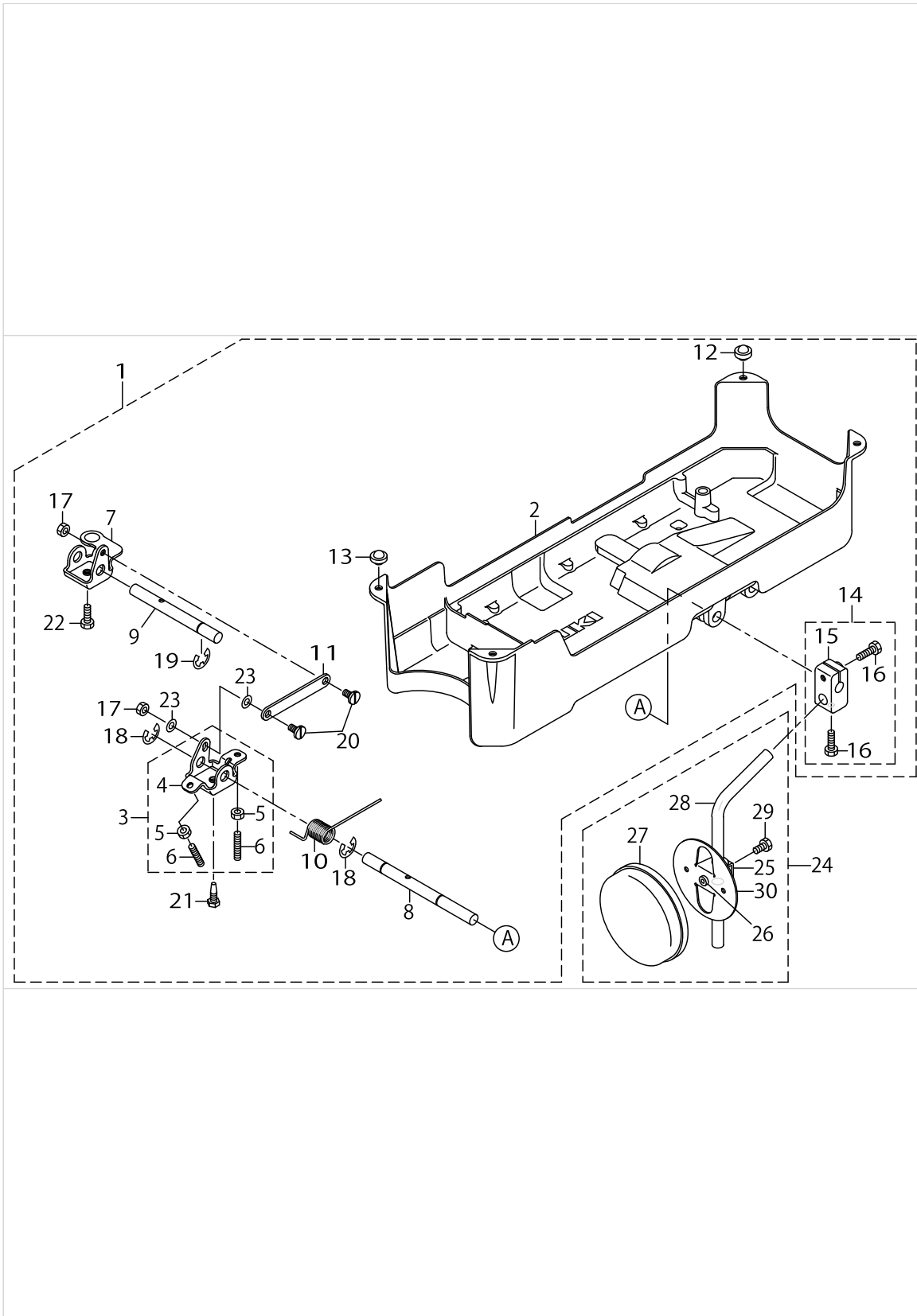
# THREAD STAND COMPONENTS



THREAD STAND COMPONENTS

No.	Supply Code	Parts No.	Replacement	Parts name	Remarks	Choice	Step	Level	Cons	Qty	Rep. QTY
1	R	22930358	40096354	THREAD STAND ASM.						1	1.00
2	R	22931109	40085791	SPOOL RETAINER				*		2	1.00
3	R	22931000	40085790	SPOOL PIN				*		2	1.00
4		22930903		SPOOL REST CUSHION				*		2	
5		22930804		SPOOL REST				*		2	
6		SM6061610SC		SCREW M6 L=16				*		2	
7	R	22930705	40096354	THREAD GUIDE ARM JOINT				*		2	1.00
8		22931406		SPOOL REST ROD RUBBER CAP				*		1	
9	R	22930507	40096354	SPOOL REST ARM				*		1	1.00
10	R	22930408	40096354	SPOOL REST ROD, UPPER				*		1	1.00
11	R	22931307	40096354	SPOOL REST ROD JOINT				*		1	1.00
12		SM4051405SE		SCREW M5 L=14				*		2	
13		NM6050001SE		NUT M5				*		2	
14	R	22930309	40096354	SPOOL REST ROD, LOWER				*		1	1.00
15	R	22930556	40096354	THREAD STANDING ARM ASM.				*		1	1.00
16		WS0510002KN		SPRING WASHER				*		2	
17		NM6050001SE		NUT M5				*		2	
18		NM6160511SE		NUT M16X1.5				*		1	
19		WP1612616SE		WASHER 16X30X2.6				*		2	
20	R	WS1643202KR	WP1612616SE	SPRING WASHER 16.4X26.6X3.2		A		*		1	2.00
20	R	WS1643202KR	40085796	SPRING WASHER 16.4X26.6X3.2		A		*		1	2.00

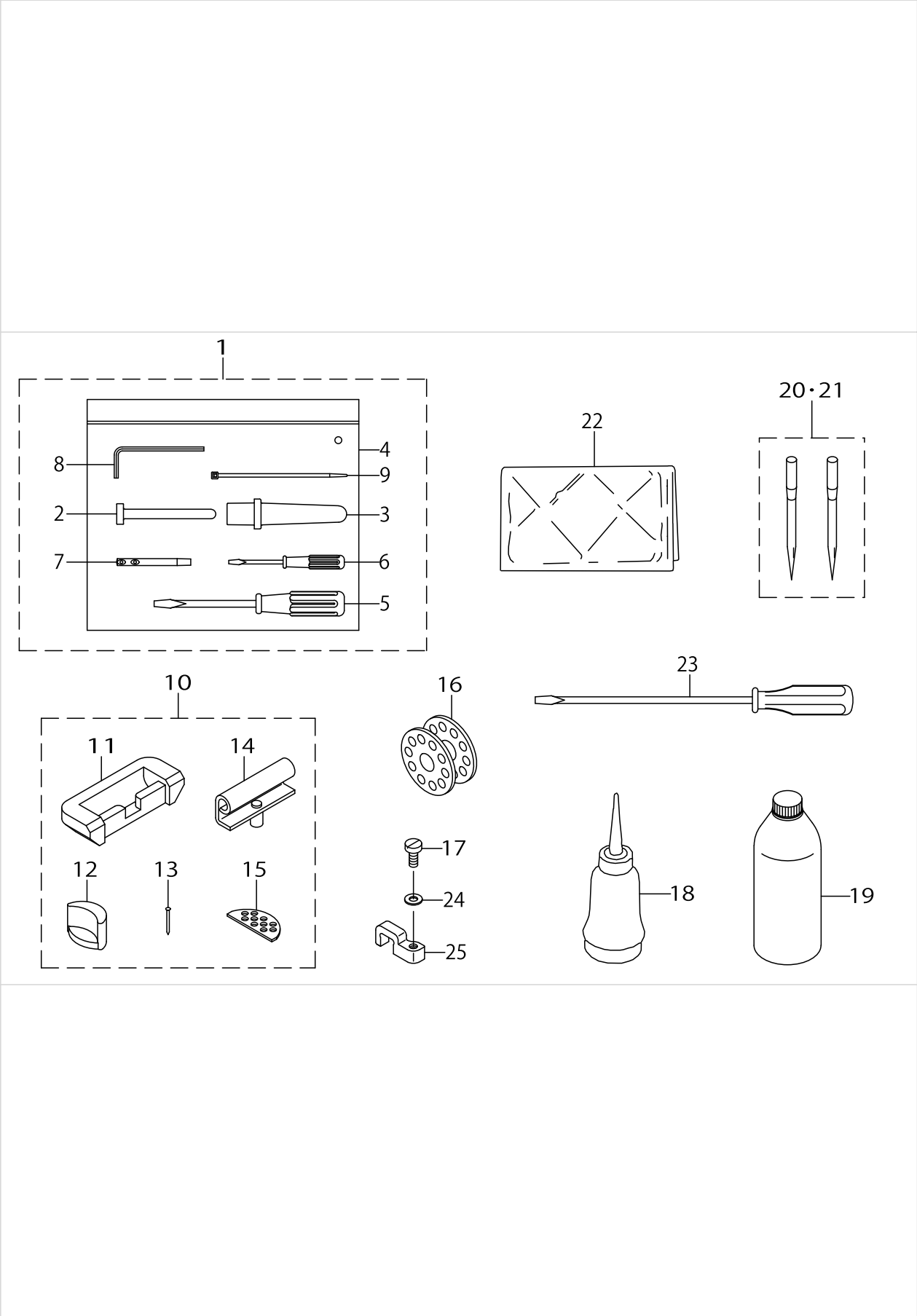
UNDER COVER COMPONENTS



UNDER COVER COMPONENTS

No.	Supply Code	Parts No.	Replacement	Parts name	Remarks	Choice	Step	Level	Cons	Qty	Rep. QTY
1	R	23639057	40062321	UNDER COVER ASM.						1	1.00
2	R	23639008	40062321	UNDER COVER				*		1	1.00
3		23639156		BRACKET ASM.				*		1	
4	R	23639107	23639156	BRACKET				*		1	1.00
5		NM6060001SE		NUT M6				*		2	
6		SM8063012TR		SCREW M6 L=30				*		2	
7		23639206		CONNECTING ROT				*		1	
8		23639305		KNEE PRESS ROD				*		1	
9		23639404		SHAFT				*		1	
10		23639503		SPRING				*		1	
11		23639602		CONNECTING ROD				*		1	
12		10162600		RUBBER CUSHION				*		2	
13		11047107		RUBBER CUSHION				*		2	
14		22932453		BRACKET ASM.				*		1	
15	R	22932404	22932453	BRACKET				*		1	1.00
16	R	SM9062053SR	22934707	SCREW M6 L=20				*		2	1.00
17		NS6150310SP		NUT 15/64-28				*		2	
18		RE1000000K0		E-RING 10				*		2	
19		RE1000000K0		E-RING 10				*		1	
20		SD0720331SP		HINGE SCREW D= 7.24 H= 3.3				*		2	
21		SM9061853SR		SCREW M6 L=17.5				*		1	
22		SM9061853SR		SCREW M6 L=17.5				*		1	
23		WP0650876SD		WASHER 6.5X13X0.8				*		2	
24		22934251		KNEE PAD PLATE ASM.						1	
25		22934301		KNEE PAD PLATE SUPPORT				*		1	
26		22934400		KNEE PAD PLATE RUBBER				*		1	
27		22934509		KNEE PAD PLATE COVER				*		1	
28		22934608		KNEE PAD UPRIGHT SHAFT				*		1	
29		SM9061203SE		SCREW M6 L=12				*		1	
30		22934202		KNEE PAD PLATE				*		1	

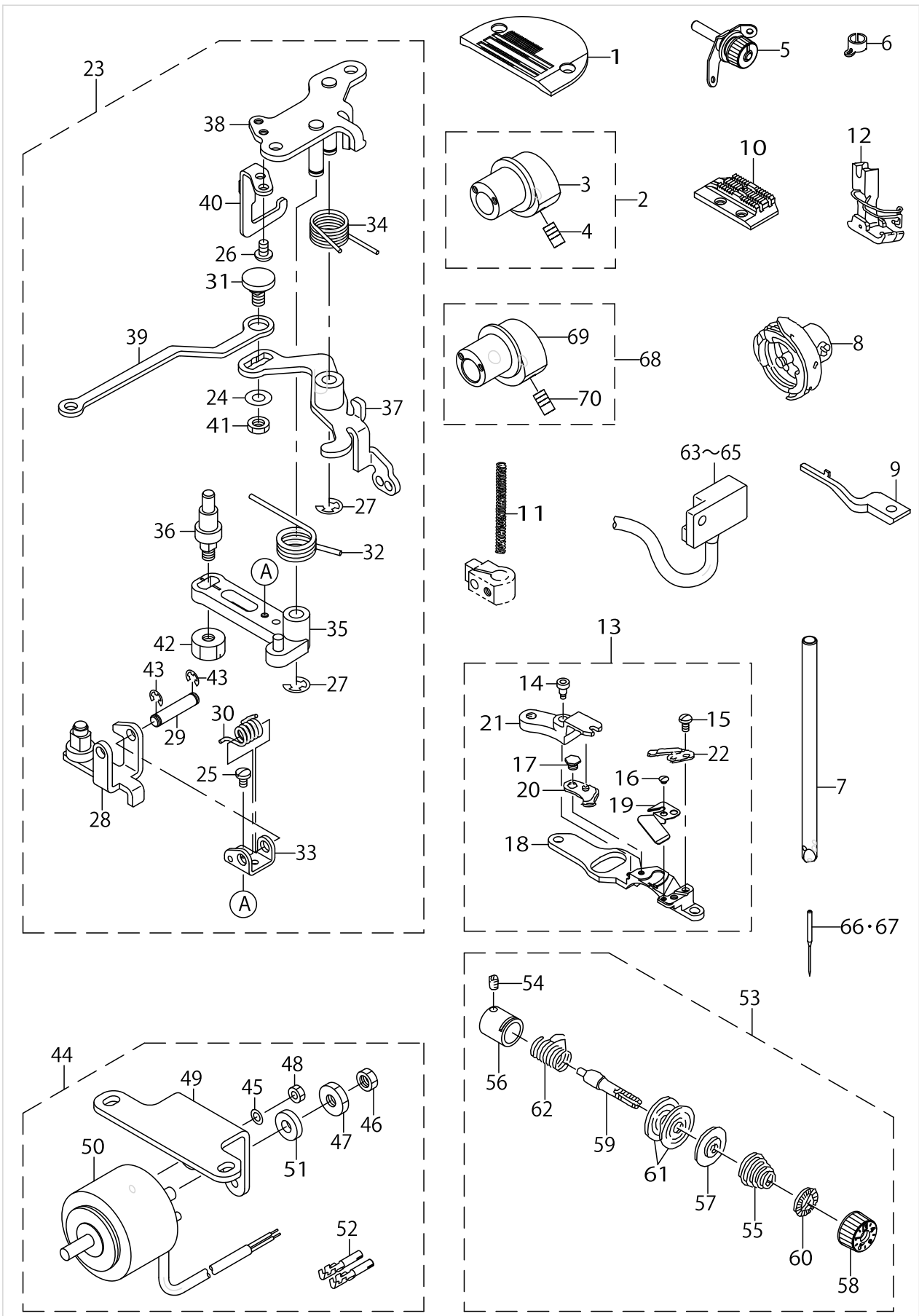
ACCESSORIE PART COMPONENTS



ACCESSORIE PART COMPONENTS

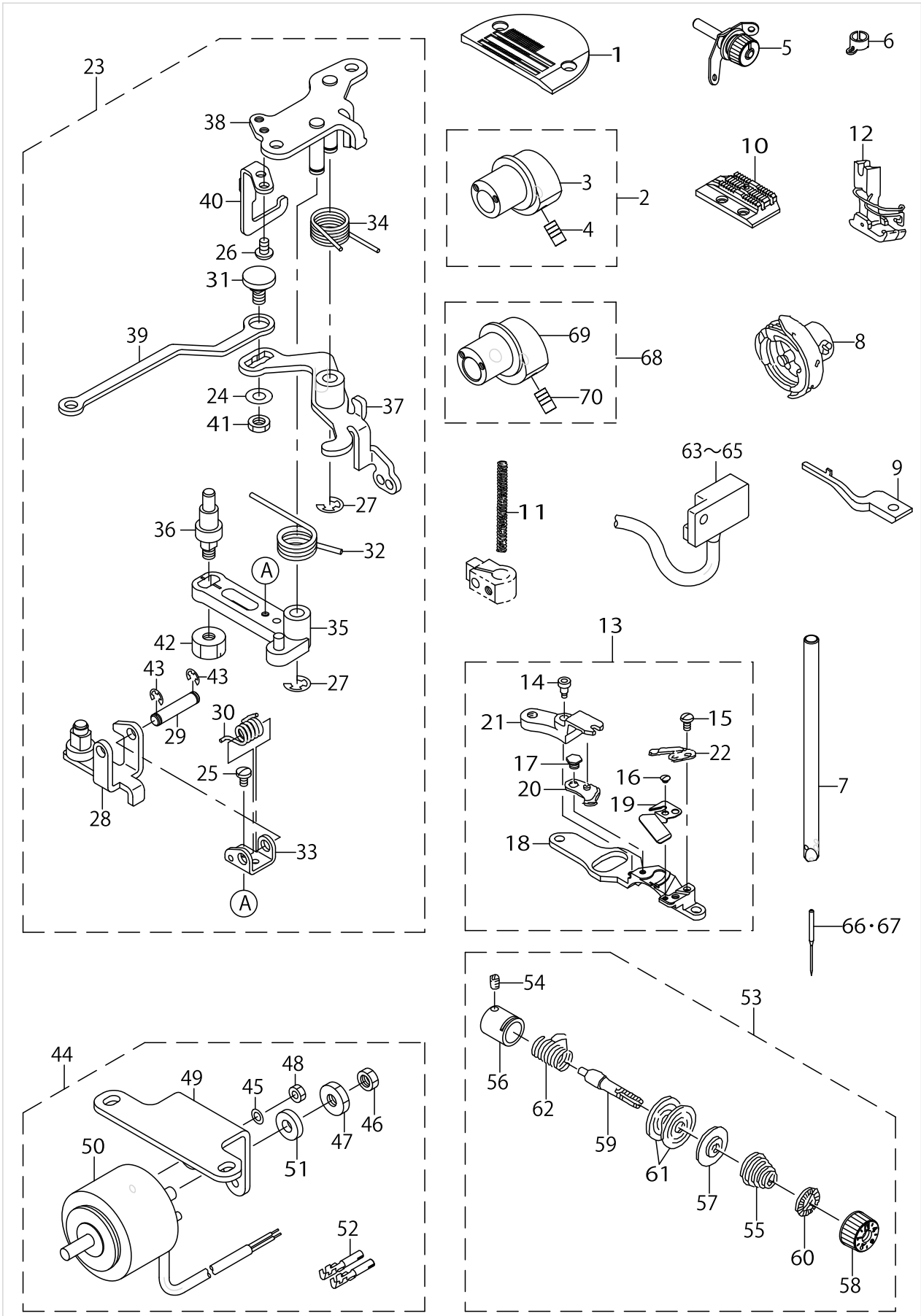
No.	Supply Code	Parts No.	Replacement	Parts name	Remarks	Choice	Step	Level	Cons	Qty	Rep. QTY
1		40037484		ACCESSORIE BAG ASM.						1	
2		23639701		KNEE LIFTER PRESSER ROD				*		1	
3		22931604		FRAME SUPPORT BAR				*		1	
4		22932800		ACCESSORIE BAG				*		1	
5		22933105		SCREW DRIVER,MIDDLE				*		1	
6		22933204		SCREW DRIVER,SMALL				*		1	
7		22958300		NEEDLE THREAD GUIDE PIN				*		1	
8		40055591		HEXAGONAL WRENCH KYE				*		1	
9		EA9500B0100		CABLE BAND				*		1	
10		22958052		RUBBER HINGE ASM.						1	
11	R	22926000	22958052	RUBBER CUSHION				*		2	1.00
12	R	22958003	11075900	FRAME BUBBER CUSHION				*		2	1.00
13	D	22926208		NAIL				*		8	
14	R	22926356	22958052	HINGE COMPL.				*		2	1.00
15	R	22926505	D8226555E00	WASHER				*		2	1.00
16		22932909		BOBBIN						1	
17		SS6121220TP		SCREW 3/16-28 L=11.5						1	
18		B91210120A0		OILER ASM.						1	
19		MDFRX1600C0		DEFRIX OIL NO.1(600CC)						1	
20	D	MDB100B1402		NEEDLE DBX1#14-2	FOR DLN-9010SS					1	
21	R	MC200500902	MC200500900	NEEDLE 134 #90-2	FOR DLN-- 9010SS(JE)					1	1.00
22	R	40070090	40135803	HEAD COVER						1	1.00
23		22933006		SCREW DRIVER,LARGE						1	
24		WP0501016SD		WASHER 5X10.5X1						1	
25		40000290		ROCKING BASE SUPPORT						1	





EXCLUSIVE PART FOR DLN-9010SH-WB, -0B

No.	Supply Code	Parts No.	Replacement	Parts name	Remarks	Choice	Step	Level	Cons	Qty	Rep. QTY
1		B1109415H0B		THROAT PLATE (H)						1	
2		40000391		VERTICAL FEED CAM ASM. 5	OPTIONAL PARTS					1	
3	R	40000392	40000391	VERTICAL FEED CAM 5				*		1	1.00
4		SS8151150TP		SCREW 15/64-28 L=10.5				*		2	
5	R	11073954	22963458	THREAD TENSION ASM.						1	1.00
6		40024124		NEEDLE BAR THREAD GUIDE						1	
7		40000396		NEEDLE BAR H						1	
8		11321452		LUBRICATING BOBBIN ASM.						1	
9		23646003		POSITIONING FINGER H						1	
10		11322203		FEED DOG, H						1	
11		B1505552000A		PRESSER SPRING						1	
12		B1524041EB0		PRESSER FOOT ASM.						1	
13		23645252		KNIFE UNIT H						1	
14		SD0460703TP		HINGE SCREW D=4.6 H=7				*		1	
15		SS4080620TP		SCREW 1/8-44 L=6				*		2	
16		SS2060210SP		SCREW 3/32-56 L=2.3				*		1	
17		SD0500131TP		HINGE SCREW D=5 H=1.25				*		1	
18		23645203		KNIFE INSTALLING BASE H				*		1	
19		23645401		THREAD GUIDE FOR KNIFE H				*		1	
20		11409257		MOVING KNIFE J.ASM.				*		1	
21		11095601		KNIFE BRANCH				*		1	
22		11409604		FIX KNIFE				*		1	
23		23623176		THREAD TRIMMER DRIVING UNIT H						1	
24		WP0621016SH		WASHER				*		1	
25		SS7090610SP		SCREW 9/64-40 L=6				*		1	
26		SS4110715SP		SCREW 11/64-40 L=7				*		2	
27		RE0600000K0		E-RING 6				*		2	
28		11040953		ROLLER ARM ASM.				*		1	
29	R	11041407	22949101	ROLLER FULCRUM SHAFT				*		1	1.00
30		22949200		ROLLER RETURN SPRING				*		1	
31	R	11042306	22950000	PICKER LINK PIN				*		1	1.00
32		22949309		KNIFE RETURN SPRING B				*		1	
33		11094307		ROLLER ARM BRACKET				*		1	
34		11094406		SPRING				*		1	
35		23623150		KNIFE DRIVING ARM ASM.				*		1	
36		23623200		MOVING KNIFE LINK PIN				*		1	
37		23623358		CLUTCH PLATE ASM.				*		1	
38		23623556		BASE PLATE ASM.				*		1	
39		23623705		PICKER LINK				*		1	
40		23623804		DRIVING ARM STOPPER				*		1	
41		NS6150310SP		NUT 15/64-28				*		1	
42		NS6150810SP		NUT 15/64-28				*		1	
43		RE0400000K0		E-RING 4				*		2	
44		23645153		SOLENOID ASM. ,H						1	
45		WP0430800SC		WASHER M4				*		2	
46		NS6660430SP		NUT 1/4-40				*		1	



EXCLUSIVE PART FOR DLN-9010SH-WB, -0B

No.	Supply Code	Parts No.	Replacement	Parts name	Remarks	Choice	Step	Level	Cons	Qty	Rep. QTY
47		NS6660410SH		NUT				*		1	
48		NM6040000SN		NUT M4				*		2	
49		23645005		SOLENOID BASE H				*		1	
50		23645104		SOLENOID H				*		1	
51		11043304		SOLENOID RUBBER				*		1	
52		HK03464000B		PIN CONTACT				*		2	
53		23626062		THREAD TENSION ASM. ,H						1	
54		SS8090670SP		SCREW 9/64-40 L=5.5				*		1	
55	R	22962005	B3114232000	THREAD TENSION SPRING				*		1	1.00
56		22945307		THREAD TENSION POST BASE				*		1	
57		22921803		DISK STOPPER				*		1	
58		23626005		THREAD TENSION NUT				*		1	
59		22921209		THREAD TENSION POST				*		1	
60		22921407		ROTATION STOPPER				*		1	
61		22921506		THREAD TENSION DISK				*		2	
62		22921605		THREAD TAKE-UP SPRING				*		1	
63		40000393		RESISTOR PACK AF ASM.	FOR GENERAL EXPORT					1	
64		40000394		RESISTOR PACK AD ASM.	FOR JE					1	
65		40000395		RESISTOR PACK AA ASM.	FOR JA					1	
66		MDB100B2100		NEEDLE DBX1 #21	FOR GENERAL EXPORT,JA					1	
67		MC200501300		NEEDLE 134 NM130	FOR JE					1	
68		23619059		VERTICAL FEED CAM H ASM.						1	
69	R	23619000	23619059	VERTICAL FEED CAM H				*		1	1.00
70		SS8151150TP		SCREW 15/64-28 L=10.5				*		2	

TABLE & STAND COMPONENTS

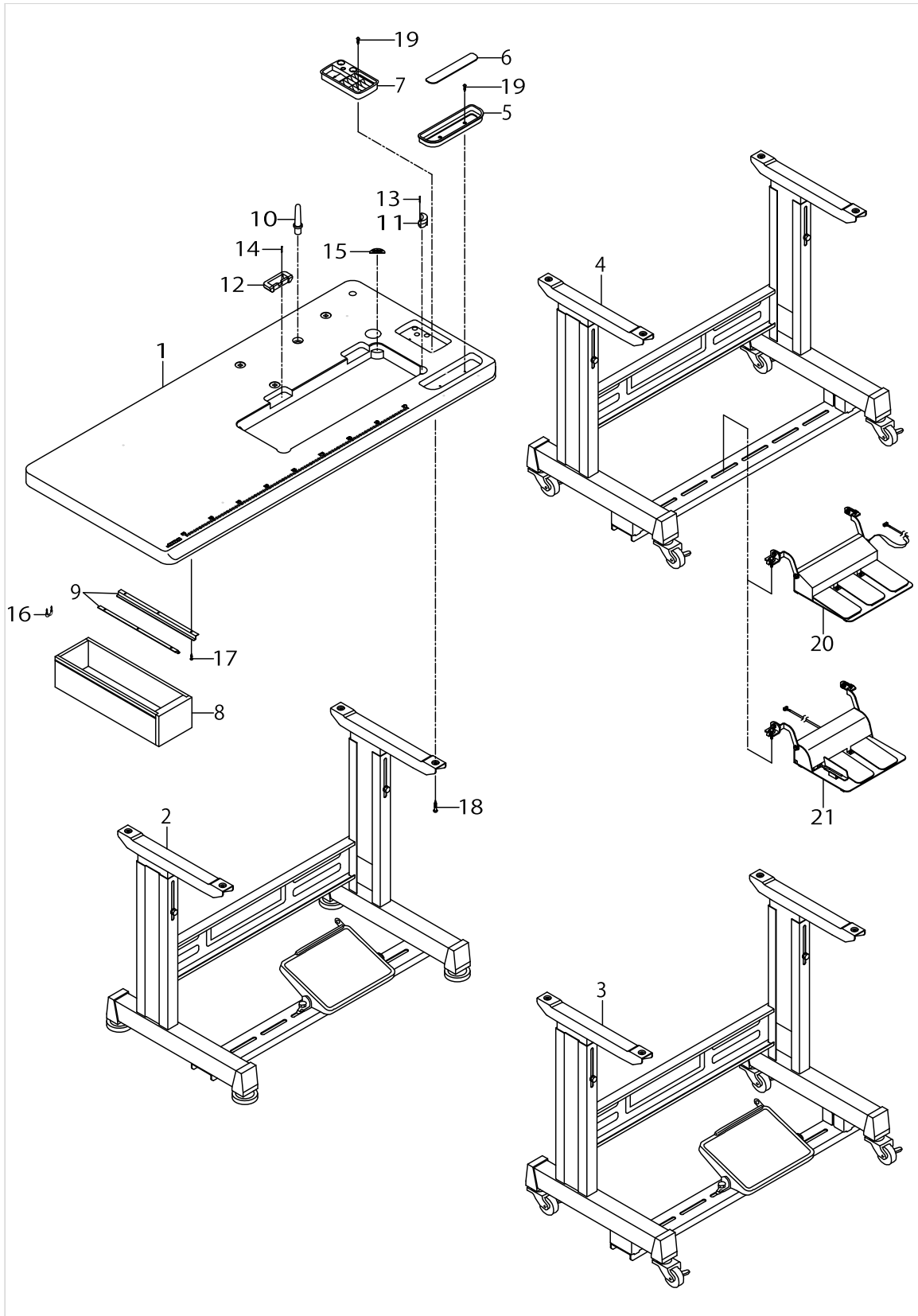


TABLE & STAND COMPONENTS

No.	Supply Code	Parts No.	Replacement	Parts name	Remarks	Choice	Step	Level	Cons	Qty	Rep. QTY
1	R	23642200	23642259	TABLE						1	1.00
2		11157567		T LEG JUNCTION	FOR JT-D950					1	
3		11159365		T STAND JUNCTION	FOR JT-D952					1	
4		11159357		T-STAND ASM.	FOR JT-D-95J,-D95K					1	
5		11156007		CASE						1	
6		11155801		CASE MAGNET						1	
7		11155751		CASE ASM. B						1	
8	R	11155108	11155157	DRAWER						1	1.00
9		11155207		DRAWER SUPPORT						2	
10	R	11073103	22931604	RUBBER CUSHION	EXCEPT AK TYPE					1	1.00
11		11075900		RUBBER SPACER						2	
12		11075801		RUBBER SPACER						2	
13		B8210012000		CUSHION SET NAIL						4	
14		B8210012000		CUSHION SET NAIL						4	
15		D8226555E00		FRAME RUBBER CUSHION A						2	
16		D8204555D00		DRAWER STOPPER						1	
17		SK3311600SE		WOOD SCREW D=3.1 L=16						6	
18	R	SK3513200SC	SK3513201SE	WOOD SCREW D=5.1 L=32						4	1.00
19		SK3382001SC		WOOD SCREW D=3.8 L=20						4	
20		GPK700010A0		3-JOINT PEDAL, 70	FOR JT-D-95J,-D95K					1	
21		GPK710010A0		2-PEDAL ASM., 71	FOR JT-D-95J,-D95K					1	

LIST FOR INFORMATION OF CHANGE

As to the place changed, refer to the corresponding Rev.No.  
 When previous parts(Obsoleted part)and new parts(Added parts)are  
 not interchangeable with each other:  
 In this case,even obsoleted parts(D.)can be ordered with the  
 obsoleted part number,so select the parts with changed dates and  
 place your orders.

変更箇所は、該当Rev.No.版をご参照ください。  
 部品の互換性がない変更の場合は、削除された品番でも、ご注文できます。

40000367  
 No.1331-04・・・Rev.No.

\*A:Added parts追加部品/D:Obsoleted parts削除部品/E:Erratum訂正

* Rev. No.	Page 頁	Ref. No.	Parts No. 品番	* Rev. No.	Page 頁	Ref. No.	Parts No. 品番		
				A	04	6	35	400-20455	
D	03	6	28	236-36400	A	04	6	33	400-20454
D	03	6	34	SS-6111440-SP	A	04	6	34	SM-8051610-SP
D	03	10	8	236-12765	A	04	10	8	400-55585
D	03	10	10	SS-8660610-TP	A	04	10	10	SS-8660612-TP
D	03	10	34	CS-111101E-SF	A	04	10	34	CS-111101C-SH
D	03	10	59	135-13114	A	04	10	61	400-61545
				A	04	10	59	400-61560	
D	03	12	26	SS-8661030-SP	A	04	12	26	SS-8661012-TP
D	03	12	27	SS-8660810-TP	A	04	12	27	SS-8661012-TP
D	03	12	59	236-20354	A	04	12	59	400-44877
D	03	18	9	400-00341	A	04	18	9	400-22407
D	03	21	17	HA-0005900-00	A	04	21	17	HA-0060000-00
D	03	24	1	236-39750	A	04	24	1	400-37484
				A	04	24	8	400-55591	
				A	04	24	9	EA-9500B01-00	
D	03	24	22	229-33303	A	04	24	22	400-70090

## HOW TO MAKE USE OF THIS PARTS LIST

### 1.Explanation of codes

1)"\*"mark.....means this part is changed from the previous parts book.

As to the details of the change, refer to the "List for information of change".

2)"#01".....refer to "Note" explanation at bottom of page.

### 2.Codes on the "Qty" column

- Each numeral indicates the number of parts required.
- "0.1" and "2.5" indicate the length (in meters) of the respective parts.

3.Parentheses mean that the corresponding part is a subpart that constructs an assembly part.

4.Dotted lines on the Figures indicate assembly parts.

### 1."注記"欄の記号説明

1) "\*"印.....前回のパーツブックに比較して今回変更された部品を意味します。

変更内容は、"変更情報リスト"を参照してください。

2) "#01".....ページ下の"注記"の説明を参照してください。

2.数量欄の数字は、個数を表し、0.1、2.5等の数値は、長さ（単位メートル）を表します。

3.数量欄の（ ）は、組部品を構成している子部品であることを意味します。

4.イラストページの-----枠は、組構成であることを意味します。



# NUMERICAL INDEX OF PARTS

PART NO	PAGE	REF NO.	PART NO	PAGE	REF NO.	PART NO	PAGE	REF NO.
10162600	44	12	11322203	48	10	22926505	46	15
10502300	8	25	11409257	48	20	22930309	42	14
10548501	20	52	11409604	48	22	22930358	42	1
11015906	24	82	11433802	16	57	22930408	42	10
11038650	24	68·69·79	14113450	8	31	22930507	42	9
11040953	28	18	22890008	24	70	22930556	42	15
11040953	48	28	22891204	10	40	22930705	42	7
11041407	28	20	22901201	2	14·15	22930804	42	5
11041407	48	29	22901250	2	12·13	22930903	42	4
11042306	48	31	22901300	2	16·17	22931000	42	3
11042850	30	50	22901805	6	91	22931109	42	2
11043304	28	41	22902506	2	10	22931307	42	11
11043304	50	51	22902605	2	19	22931406	42	8
11043700	28	22	22902704	2	14·15	22931604	46	3
11047107	44	13	22902753	2	12·13	22932404	44	15
11072402	8	30	22904106	22	23	22932453	44	14
11073103	52	10	22904155	22	22	22932800	46	4
11073954	48	5	22906408	10	30	22932909	24	71
11075801	52	12	22906457	10	29	22932909	46	16
11075900	52	11	22907406	14	24	22933006	46	23
11094307	48	33	22907604	14	21	22933105	46	5
11094406	48	34	22907802	14	22	22933204	46	6
11095601	48	21	22908909	14	20	22934202	44	30
11110301	40	6	22911002	22	19	22934251	44	24
11141355	24	68·69·79	22911101	22	20	22934301	44	25
11155108	52	8	22911804	18	32	22934400	44	26
11155207	52	9	22912000	18	29	22934509	44	27
11155751	52	7	22912109	18	33	22934608	44	28
11155801	52	6	22916506	24	81	22944508	14	42
11156007	52	5	22916555	24	80	22945307	4	57
11157567	52	2	22920607	4	60	22945307	50	56
11159357	52	4	22921209	4	51	22945414	4	62
11159365	52	3	22921209	50	59	22945463	4	61
11214509	32	28	22921407	4	52	22945505	4	64
11232105	28	5	22921407	50	60	22945604	4	63
11244019	16	55	22921506	4	53	22945703	4	65
11300308	4	86	22921506	50	61	22945802	4	66
11300407	2	38	22921605	4	54	22949002	28	19
11301702	14	19	22921605	50	62	22949200	28	21
11305513	2	45	22921704	4	55	22949200	48	30
11305901	14	39	22921803	4	56	22949309	48	32
11306107	14	40	22921803	50	57	22949408	28	23
11307006	34	24	22926000	46	11	22950000	28	24
11313053	28	3	22926208	46	13	22950950	30	52
11321452	48	8	22926356	46	14	22952501	18	31

## NUMERICAL INDEX OF PARTS

PART NO	PAGE	REF NO.	PART NO	PAGE	REF NO.	PART NO	PAGE	REF NO.
22954705	2	8	23610801	16	48	23620008	24	56
22955504	40	5	23611056	16	51	23620156	24	57
22955900	40	7	23611106	16	52	23620206	24	58
22956007	40	8	23612500	20	48	23620404	24	73
22956106	40	9	23612609	20	49	23620503	24	61
22956205	40	10	23612716	18	9	23620701	24	62~65
22956304	40	11	23612807	18	11	23620800	24	62~65
22956809	40	12	23613003	18	14	23620909	24	62~65
22956908	40	13	23613052	18	13	23621006	24	62~65
22957104	40	16	23613102	18	16	23621303	24	68·69·79
22957203	40	15	23613300	18	18	23622400	10	38
22958003	46	12	23613409	18	19	23623002	28	2
22958052	46	10	23613508	18	20	23623150	28	12
22958300	46	7	23613607	18	21	23623150	48	35
22962005	50	55	23613706	18	22	23623168	28	11
22962906	38	38	23613805	18	23	23623176	48	23
23600208	2	1	23613953	18	24	23623200	28	13
23600505	2	4	23614308	18	27	23623200	48	36
23600604	2	5	23614407	20	46	23623358	28	14
23600703	2	6	23616006	22	2	23623358	48	37
23600802	2	7	23616055	22	1	23623556	28	15
23601057	6	89	23616105	22	4	23623556	48	38
23601305	2	9	23616204	22	5	23623705	28	16
23604010	10	1	23616303	22	6	23623705	48	39
23604119	10	3	23616402	22	7	23623804	28	17
23604168	10	2	23616501	22	9	23623804	48	40
23604457	10	10	23616550	22	8	23623903	28	32
23604655	10	18	23616709	22	12	23624000	28	33
23604705	36	52	23616808	22	14	23624109	28	35
23604754	10	14	23616857	22	13	23624158	28	34
23604804	10	13	23616907	22	17	23624257	28	36
23605009	10	17	23617053	24	75	23624307	28	39
23605256	10	19	23618002	24	84	23624356	28	38
23607302	10	23	23618051	24	83	23624406	28	40
23609001	14	1	23618101	22	40	23624505	30	48
23609209	14	3	23618200	22	41	23624554	30	47
23609456	14	6	23618309	22	42	23626005	4	50
23609605	14	7	23618408	22	43	23626005	50	58
23609803	14	13	23618606	22	45	23626054	4	49
23609902	14	14	23618705	24	46	23626062	50	53
23610207	14	16	23618804	24	47	23626104	4	59
23610306	14	17	23619000	50	69	23628100	34	2
23610504	16	53	23619059	50	68	23628209	34	33
23610652	16	54	23619109	24	77	23628357	34	3
23610702	16	56	23619158	24	76	23628555	34	4

# NUMERICAL INDEX OF PARTS

PART NO	PAGE	REF NO.	PART NO	PAGE	REF NO.	PART NO	PAGE	REF NO.
23628704	34	5	23639404	44	9	40000264	24	66
23628803	34	35	23639503	44	10	40000265	24	67
23628902	34	36	23639602	44	11	40000270	10	37
23629009	34	37	23639701	46	2	40000281	32	1
23629108	34	6	23642200	52	1	40000289	32	2
23629306	34	10	23645005	50	49	40000290	46	25
23629405	34	47	23645104	50	50	40000291	32	4
23629405	36	47	23645153	48	44	40000292	32	5
23629504	34	12	23645203	48	18	40000293	32	7
23629702	34	16	23645252	48	13	40000295	32	9
23629801	34	14	23645401	48	19	40000296	32	10
23629900	4	82	23646003	48	9	40000298	32	13
23630007	20	47	26260109	8	2	40000299	32	14
23630007	34	45	26260208	8	3	40000301	32	15
23630106	34	46	26260307	8	4	40000302	32	16
23630205	34	30	26260406	8	5	40000304	32	19
23630403	36	48	26260505	8	6	40000307	32	20
23630452	34	43	26260604	8	7	40000308	32	21
23630502	36	49	26260802	8	8	40000309	32	24
23630601	34	44	26261008	8	9	40000311	32	25
23631005	38	2	26261206	8	10	40000322	28	1
23631054	38	1	26261305	8	11	40000323	28	6
23631104	38	3	26261503	8	12	40000324	28	7
23631203	38	4	26261602	8	13	40000327	14	36
23631302	38	10	26261701	8	14	40000332	14	38
23631708	38	22	40000209	2	2	40000333	14	28
23631807	38	23	40000210	2	3	40000334	14	37
23631906	38	24	40000212	2	25	40000339	34	7
23632102	38	26	40000214	6	92~94	40000340	34	8
23632250	38	27	40000215	6	92~94	40000342	34	23
23632359	38	17	40000216	6	92~94	40000343	34	13
23636657	8	29	40000220	10	25·27	40000344	34	39
23638000	4	72	40000221	10	25·27	40000349	38	11
23638059	4	71	40000227	14	2	40000350	38	25
23638109	4	73	40000228	14	4	40000351	38	36
23638208	4	74	40000229	14	8	40000355	40	1
23638307	4	75	40000230	14	12	40000356	40	2
23638406	4	76	40000231	14	15	40000358	40	3
23638554	4	77	40000232	14	18	40000359	40	4
23639008	44	2	40000233	14	23	40000361	40	14
23639057	44	1	40000247	22	11	40000380	38	20
23639107	44	4	40000248	24	72	40000381	38	21
23639156	44	3	40000249	22	18	40000391	48	2
23639206	44	7	40000257	22	37	40000392	48	3
23639305	44	8	40000258	22	38	40000393	50	63~65

# NUMERICAL INDEX OF PARTS

PART NO	PAGE	REF NO.	PART NO	PAGE	REF NO.	PART NO	PAGE	REF NO.
40000394	50	63~65	40055591	46	8	HK034610040	4	79
40000395	50	63~65	40061545	20	61	HK03464000B	28	42
40000396	48	7	40061560	20	59	HK03464000B	38	6
40009724	20	51	40070090	46	22	HK03464000B	40	18
40009727	18	26	B1109415H0B	48	1	HK03464000B	50	52
40009729	20	57	B1414555000	10	32	HW200390000	40	19
40009730	18	5	B1418552A00	12	47	HW500070000	40	20
40009731	20	50	B1505552000A	48	11	M68014710A0	12	44
40009789	20	54	B1521555000	14	25	MC200500900	10	26·28
40010434	10	39	B1524041EB0	48	12	MC200500902	46	20·21
40011144	8	15	B1905541A00	32	29	MC200501300	50	66·67
40011344	34	1	B1905541B00	32	30	MDB100B1400	10	26·28
40011711	22	44	B1905541C00	32	31	MDB100B1402	46	20·21
40011723	18	30	B1905541D00	32	32	MDB100B2100	50	66·67
40011724	20	55	B2906415000	32	33	MDFRX1600C0	46	19
40012032	18	6	B3118552I00	4	84	NM6040000SN	28	43
40013470	18	17	B3126012000	8	32	NM6040000SN	50	48
40014837	8	16	B3538112000	2	21	NM6050001SE	42	17
40020454	10	33	B412352200A	22	28~30	NM6060001SE	44	5
40020455	10	35	B412352200B	22	28~30	NM6160511SE	42	18
40022407	2	11	B412352200C	22	28~30	NS6090310SP	4	46
40022407	34	9	B8210012000	52	14	NS6090310SP	40	21
40023021	8	1	B91210120A0	46	18	NS6110310SP	18	36
40023022	8	17	CM300200001	2	23	NS6110310SP	40	22
40023289	18	28	CM300200003	2	24	NS6110350SP	38	39
40023290	30	54	CM301300001	2	22	NS6110530SP	8	34
40023291	8	26	CM600100101	4	48	NS6150310SP	16	47
40024124	48	6	CQ200000001	34	40	NS6150310SP	18	37
40024644	36	50	CS064061ASP	14	10	NS6150310SP	28	25
40028014	12	43	CS111101CSH	18	34	NS6150310SP	32	35
40029963	22	21	CS120101BSH	32	34	NS6150310SP	44	17
40031605	26	90	D1524415BBC	14	26	NS6150310SP	48	41
40031606	24	88	D1609415B00	22	25	NS6150430SP	32	36
40031607	24	87	D2468555B00	38	5	NS6150810SP	28	26
40031608	24	86	D7133555B00	8	33	NS6150810SP	48	42
40033391	18	1	D8204555D00	52	16	NS6620310SP	14	44
40033392	18	2	D8226555E00	52	15	NS6660410SH	28	44
40033393	18	3	EA9500B0100	4	78	NS6660410SH	50	47
40037484	46	1	EA9500B0100	12	45	NS6660430SP	28	45
40039946	10	22	EA9500B0100	38	28	NS6660430SP	48	46
40044877	24	59	EA9500B0100	46	9	RC0150001KP	22	31
40044906	10	11	GAKA1843000	14	30	RC0560711KP	8	18
40051473	10	8	GPK700010A0	52	20	RE0250000K0	40	23
40052274	18	12	GPK710010A0	52	21	RE0300000K0	14	41
40055585	18	8	HA006000000	40	17	RE0400000K0	8	19

# NUMERICAL INDEX OF PARTS

PART NO	PAGE	REF NO.	PART NO	PAGE	REF NO.	PART NO	PAGE	REF NO.
RE0400000K0	28	27	SL4040881SC	12	46	SS4121215SP	40	30
RE0400000K0	48	43	SL6052592TN	2	26	SS4150915SP	2	35
RE0500000K0	14	11	SL6052592TN	10	7	SS4150915SP	8	27
RE0500000K0	18	38	SM4021201SC	4	80	SS4150915SP	30	60
RE0500000K0	40	24	SM4051405SE	42	12	SS4150915SP	38	34
RE0600000K0	28	28	SM5040655SN	8	20	SS4151415SP	38	37
RE0600000K0	48	27	SM6040602TP	14	9	SS6060210SP	2	18
RE1000000K0	44	19	SM6051602TP	32	6	SS6090540SP	40	28
RE1200000K0	38	7	SM6061610SC	42	6	SS6090620TP	8	28
RO029180100	34	34	SM6061802TP	20	60	SS6090620TP	22	34
RO037180100	14	29	SM8040412TP	18	4	SS6090620TP	28	37
RO044240100	16	50	SM8040802TP	8	21	SS6090620TP	34	29
RO048190100	34	41	SM8050502TP	8	22	SS6090660TP	32	39
RO068190100	34	38	SM8051610SP	10	34	SS6090670TP	10	31
RO080150200	4	83	SM80608A2TP	10	24	SS6090670TP	18	42
RO092270200	18	40	SM80608A2TP	18	41	SS6090670TP	22	54
RO098240100	34	25	SM8063012TR	44	6	SS6090670TP	24	54
RO195240100	34	26	SM9061203SE	44	29	SS6090810TP	14	45
SB117000400	24	51	SM9061853SR	44	22	SS6110610TP	4	69
SB120000800	10	21	SM9062053SR	44	16	SS6110650TP	24	60
SB120001000	24	52	SS1120710SP	2	44	SS6110710TP	24	55
SB307000200	10	41	SS2060210SP	28	9	SS6110710TP	30	49
SB309000400	32	38	SS2060210SP	48	16	SS6111010TP	24	74
SB32000060A	24	48~50	SS2110915SP	2	27	SS6121030SN	8	24
SB32000060B	24	48~50	SS2110920TP	2	28	SS6121220TP	46	17
SB32000060C	24	48~50	SS4080620TP	22	32	SS6121610SP	18	25
SD0460703TP	28	8	SS4080620TP	28	10	SS6121610SP	22	10
SD0460703TP	48	14	SS4080620TP	48	15	SS6121840SP	18	43
SD0500095TH	28	4	SS4110615SP	4	81	SS6121860SP	18	44
SD0500131TP	48	17	SS4110715SP	2	67	SS6151920TP	10	42
SD0600321SP	30	55	SS4110715SP	4	67	SS6151920TP	20	45
SD0630275SP	30	56	SS4110715SP	16	46	SS6660610TP	30	51
SD0640261SP	16	59	SS4110715SP	28	58	SS6661110SP	20	58
SD0641452TP	30	57	SS4110715SP	30	58	SS7080510TP	10	36
SD0650321TP	40	25	SS4110715SP	48	26	SS7090610SP	28	30
SD0720331SP	44	20	SS4120615SP	2	90	SS7090610SP	48	25
SD0800801TP	32	26	SS4120615SP	6	90	SS7091110TP	14	33
SD0800802TP	32	27	SS4120615SP	14	43	SS7091110TP	32	3
SD0951501SP	38	32	SS4120615SP	34	42	SS7110410SP	14	32
SK3311600SE	52	17	SS4120915SP	2	33	SS7110540SP	2	36
SK3382001SC	52	19	SS4120915SP	18	7	SS7110740TP	22	36
SK3513200SC	52	18	SS4120915SP	38	33	SS7110740TP	38	29
SL4030631SC	40	26	SS4121015SP	14	31	SS7111410TP	14	35
SL4030641SE	40	27	SS4121015SP	34	28	SS7112420SP	26	91
SL4040881SC	10	46	SS4121215SP	4	88	SS7112420SP	32	40

NUMERICAL INDEX OF PARTS

PART NO	PAGE	REF NO.	PART NO	PAGE	REF NO.
SS7121410TP	22	15	WP0621016SH	48	24
SS7121410TP	32	22	WP0650876SD	44	23
SS7681650TP	10	4	WP0651001SC	14	27
SS8090670SP	4	58	WP0951016SP	20	53
SS8090670SP	50	54	WP1612616SE	42	19
SS8110520TP	30	53	WP1703001SC	38	9
SS8150710TP	4	70	WS0510002KN	42	16
SS8150822TP	24	89	WS0510002KP	18	39
SS8151150TP	22	85	WS0510002KP	34	32
SS8151150TP	24	85	WS1643202KR	42	20
SS8151150TP	48	70			
SS8151150TP	50	70			
SS8660330SP	18	35			
SS8660610TP	10	6			
SS8660610TP	22	24			
SS8660612TP	18	10			
SS8661012TP	22	53			
SS8661012TP	24	53			
SS8681650TP	10	5			
ST4040821SS	36	51			
TA0340201R0	32	8			
TA0850604R0	2	37			
TA1250406R0	2	85			
TA1250406R0	4	85			
TA1250705R0	2	41			
TA1250804R0	2	20			
TA1270502R0	2	42			
TA1470704R0	2	87			
TA1470704R0	4	87			
WP0430800SC	28	46			
WP0430800SC	48	45			
WP0450826SC	8	23			
WP0480856SP	16	58			
WP0480856SP	22	16			
WP0480856SP	32	23			
WP0501016SD	4	47			
WP0501016SD	14	34			
WP0501016SD	34	31			
WP0501016SD	38	35			
WP0501016SD	46	24			
WP0553216SD	40	29			
WP0602016SP	32	41			
WP0621016SD	16	49			
WP0621016SD	32	37			
WP0621016SH	28	31			