

MODEL : LU-1509N/LU-1509NH/LU-1511N-7

List No : 1341-06

# PARTS LIST

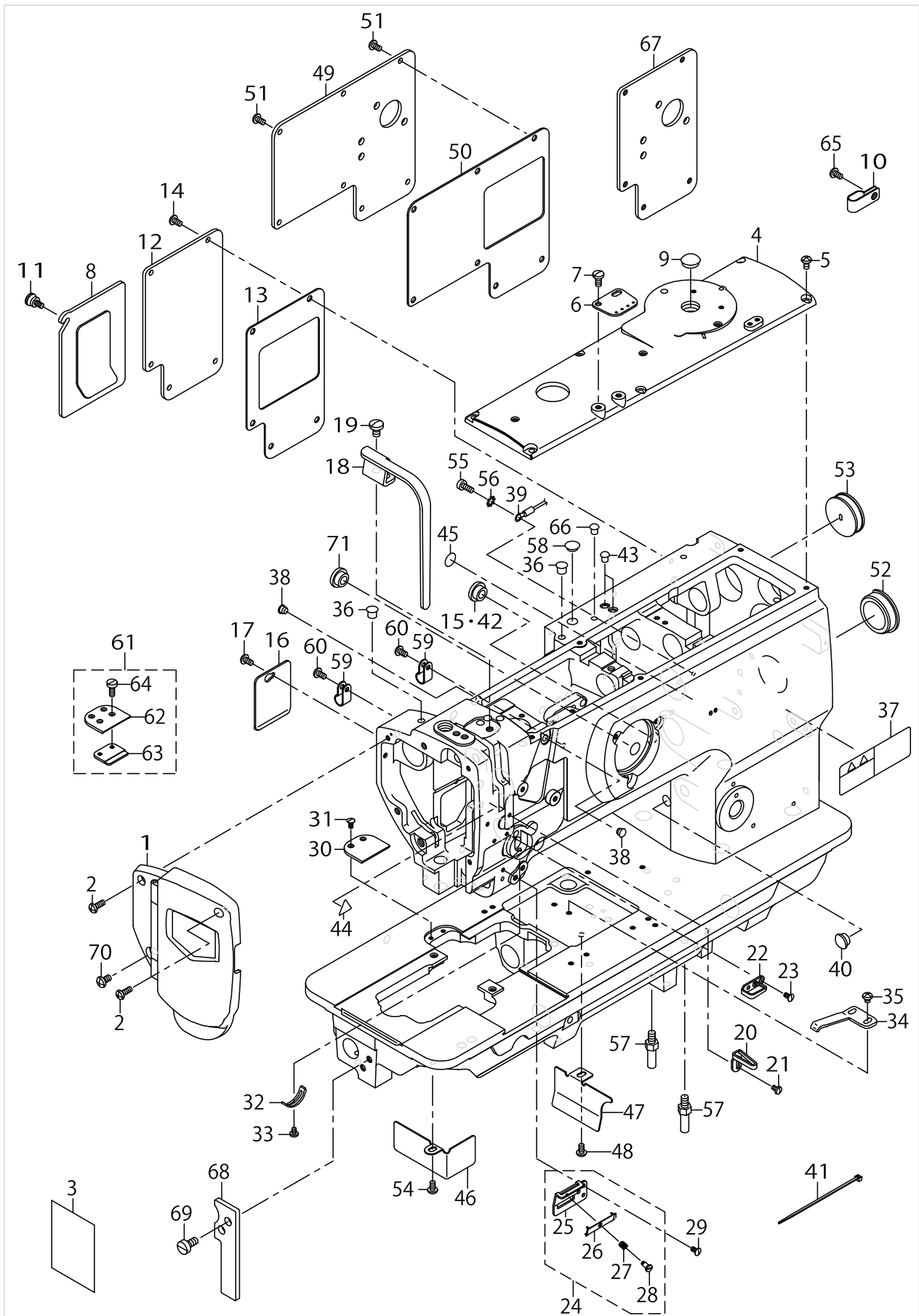
Published:05/12/2017

## CONTENTS

---

FRAME & MISCELLANEOUS COVER COMPONENTS .....	1
UPPER SHAFT,LOWER SHAFT DRIVING & BALANCE COMPONENTS .....	5
NEEDLE BAR ROCKING COMPONENTS .....	9
PRESSURE ADJUSTING & UPPER FEED MECHANISM COMPONENTS.....	11
FEED MECHANISM COMPONENTS.....	17
HOOK SHAFT & LOWER SHAFT COMPONENTS .....	23
THREAD CUTTING COMPONENTS (FOR LU-1511N-7) .....	27
AUTOMATIC BACK COMPONENTS (FOR LU-1511N-7) .....	31
THREAD TENSION COMPONENTS .....	33
THREAD RELEASE COMPONENTS (FOR LU-1511N-7).....	35
KNEE LIFTING COMPONENTS .....	37
LOWER THREAD WINDER MECHANISM COMPONENTS .....	39
AUTOMATIC PRESSER LIFTING MECHANISM COMPONENTS (FOR LU-1511N-7).....	41
AIR MECHANISM COMPONENTS (FOR LU-1511N-7) .....	43
LUBRICATION COMPONENTS (FOR LU-1511N-7).....	45
LUBRICATION COMPONENTS (FOR LU-1509N,LU-1509NH) .....	49
GAUGE COMPONENTS.....	51
THREAD STAND COMPONENTS.....	53
BELT COVER & OIL RESERVOIR COMPONENTS.....	55
OPTIONAL PARTS (ADDITIONAL SPRING FOR PRESSER BAR) COMPONENTS .....	57
DL MECHANISM COMPONENTS (FOR LU-1511N-7 OPTIONAL PARTS).....	59
AUTOMATIC BACK COMPONENTS (OPTIONAL PARTS).....	61
AUTOMATIC PRESSER LIFTING MECHANISM COMPONENTS (OPTIONAL PARTS).....	65
SUSPENSION SQUARE COMPONENTS (OPTIONAL PARTS) .....	67
ACCESSORIES PARTS COMPONENTS .....	69
TABLE OF EXCHANGING GAUGE PARTS (1).....	71
TABLE OF EXCHANGING GAUGE PARTS (2).....	73
LIST FOR INFORMATION OF CHANGE (1).....	75
LIST FOR INFORMATION OF CHANGE (2).....	76
HOW TO MAKE USE OF THIS PARTS LIST .....	77

FRAME & MISCELLANEOUS COVER COMPONENTS



FRAME & MISCELLANEOUS COVER COMPONENTS

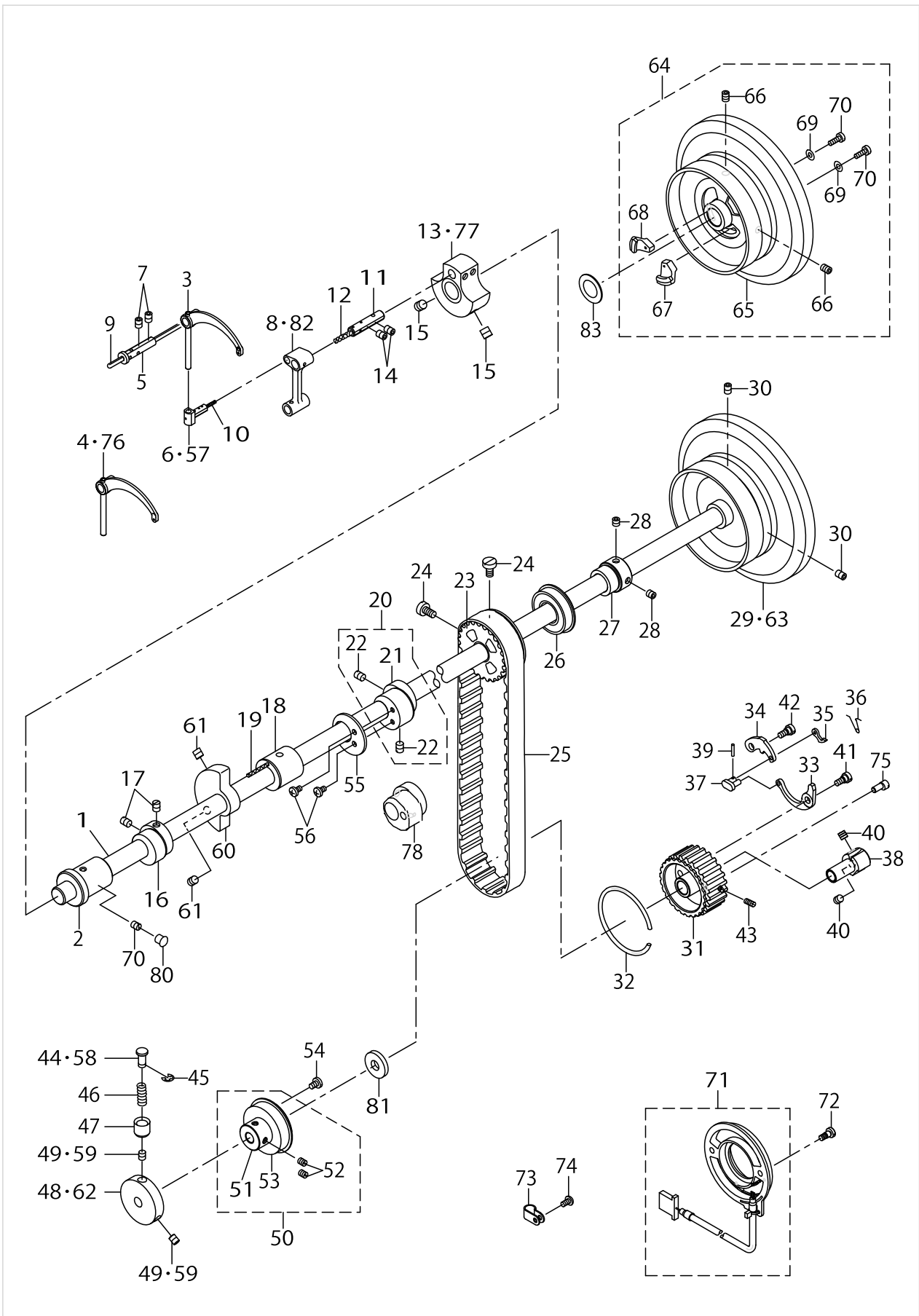
No.	Supply Code	Parts No.	Replacement	Parts name	Remarks	Choice	Step	Level	Cons	Qty	Rep. QTY
1		40016798		FACE PLATE ASM.						1	
2		SS4111215SP		SCREW11/64-40L=12						2	
3		40019114		LUBRICATION SUPPLEMENT						1	
4		21331301		TOP COVER B						1	
5		SS4110815SP		SCREW 11/64-40 L=8						6	
6		21355904		ARM THREAD GUIDE						1	
7		SS7621040SP		SCREW 3/16-32L=9.5						2	
8		21331756		WINDOW PLATE A ASM.	FOR WITH- OUT THREE- AD TRIMMER					1	
9		TA1450404R0		RUBBER PLUG D=14.5 L=4	FOR WITH- OUT THREE- AD TRIMMER					1	
10		D2112555B00		CORD HOLDER, LARGE	FOR WITH THREAD TRIMMER					1	
11		21331202		SETSCREW	FOR WITH- OUT THREE- AD TRIMMER					1	
12		21331806		WINDOW PLATE B	FOR WITH- OUT THREE- AD TRIMMER					1	
13		21332002		WINDOW PLATE PACKING B	FOR WITH- OUT THREE- AD TRIMMER					1	
14		SS4110815SP		SCREW 11/64-40 L=8	FOR WITH- OUT THREE- AD TRIMMER					5	
15		TA1250504R0		RUBBER PLUG	FOR WITH- OUT THREE- AD TRIMMER					1	
16		21332309		SIDE COVER	FOR WITH- OUT THREE- AD TRIMMER					1	
17		SS4110815SP		SCREW 11/64-40 L=8	FOR WITH- OUT THREE- AD TRIMMER					1	
18		21331608		BALANCE COVER						1	
19		SS7150910TP		SCREW 15/64-28 L=9						1	
20		40125273		THREAD_GUIDE	EXCEPT L- U-1509NH					1	
21		SS5090610SP		SCREW 9/64-40 L=6	EXCEPT L- U-1509NH					1	
22		40108675		FRAME THREAD GUIDE						1	
23		SS2090710TP		SCREW 9/64-40 L=7.2						1	
24		21408554		THREAD GUIDE ASM.						1	
25	R	21408505	21408554	THREAD GUIDE PLATE				*		1	1.00
26		17912106		NEEDLE THREAD PRESSER PLATE				*		1	
27		B1132521000		THREAD PRESSER PLATE SPRING				*		1	
28		SD0380551SL		HINGE SCREW D= 3.80 H= 5.5				*		1	
29		SS2090710TP		SCREW 9/64-40 L=7.2						1	
30		22651202		AUXILIARY COVER						1	
31		SS2090710TP		SCREW 9/64-40 L=7.2						2	
32		B3138512000		TAKE-UP SPRING A- DJUSTING PLATE						1	
33		SS7090520TP		SCREW 9/64-40 L=4.5						1	
34		B1111563000		BED SLIDE SPRING						1	
35		SS4110515SP		SCREW 11/64-40 L=5						2	
36		TA0750704R0		RUBBER PLUG						2	



FRAME & MISCELLANEOUS COVER COMPONENTS

No.	Supply Code	Parts No.	Replacement	Parts name	Remarks	Choice	Step	Level	Cons	Qty	Rep. QTY
37		CM301300001		SAFETY LABEL						1	
38		TA0620504R0		CAP	FOR WITH- OUT THRE- AD TRIMMER					2	
39		22951552		GROUND WIRE ASM.	FOR WITH THREAD TRIMMER					1	
40		TA1050504R0		RUBBER PLUG						1	
41		EA9500B0100		CABLE BAND	FOR WITH THREAD TRIMMER					2	
42		TA1250504R0		RUBBER PLUG	FOR WITH THREAD TRIMMER					1	
43		TA0550604R0		RUBBER PLUG	FOR WITH THREAD TRIMMER					2	
44		CM300200001		ATTENTION SEAL						1	
45		22901805		GROUND MARK						1	
46		21332200		OIL SHIELD (LEFT)						1	
47	D	22877609		DUST COVER	FOR WITH- OUT THRE- AD TRIMMER					1	
48		SS4110815SP		SCREW 11/64-40 L=8	FOR WITH- OUT THRE- AD TRIMMER					1	
49		40107950		WINDOW PLATE C	FOR WITH THREAD TRIMMER					1	
50		21332101		WINDOW PLATE PACKING C	FOR WITH THREAD TRIMMER					1	
51		SS4110815SP		SCREW 11/64-40 L=8	FOR WITH THREAD TRIMMER					7	
52		22619100		CAP						1	
53		10201200		RUBBER PLUG						1	
54		SS4110815SP		SCREW 11/64-40 L=8						1	
55		SS6111140SP		SCREW 11/64-40L=11	FOR WITH THREAD TRIMMER					1	
56		WT0530002KS		TOOTHED WASHER D=5.3	FOR WITH THREAD TRIMMER					1	
57		22602601		BED SCREW STUD						2	
58		TA1250504R0		RUBBER PLUG						1	
59		HX00123000A		CABLE CLIP	FOR WITH THREAD TRIMMER					2	
60		SS4110815SP		SCREW 11/64-40 L=8	FOR WITH THREAD TRIMMER					2	
61		23208556		AUXILIARY COVER ASM.	FOR WITH- OUT THRE- AD TRIMMER					1	
62		23208507		AUXILIARY COVER				*		1	
63	R	23208606	23208556	SIDEING PLATE SUPPORT				*		1	1.00
64		SS2090520SL		SCREW 9/64-40 L=5				*		2	
65		SS6111140SP		SCREW 11/64-40L=11	FOR WITH THREAD TRIMMER					1	
66		TA0550604R0		RUBBER PLUG	FOR WITH THREAD TRIMMER					1	
67		21348909		WINDOW PLATE D	OPTIONAL PARTS					1	
68		21361407		BEDSUPPORTPLATE						1	
69		SS6151210SP		SCREW 15/64-28L=12						2	
70		SS4150915SP		SCREW 15/64-28 L=9						1	
71		10622009		COAD BUSH	FOR WITH THREAD TRIMMER					1	

UPPER SHAFT, LOWER SHAFT DRIVING & BALANCE COMPONENTS

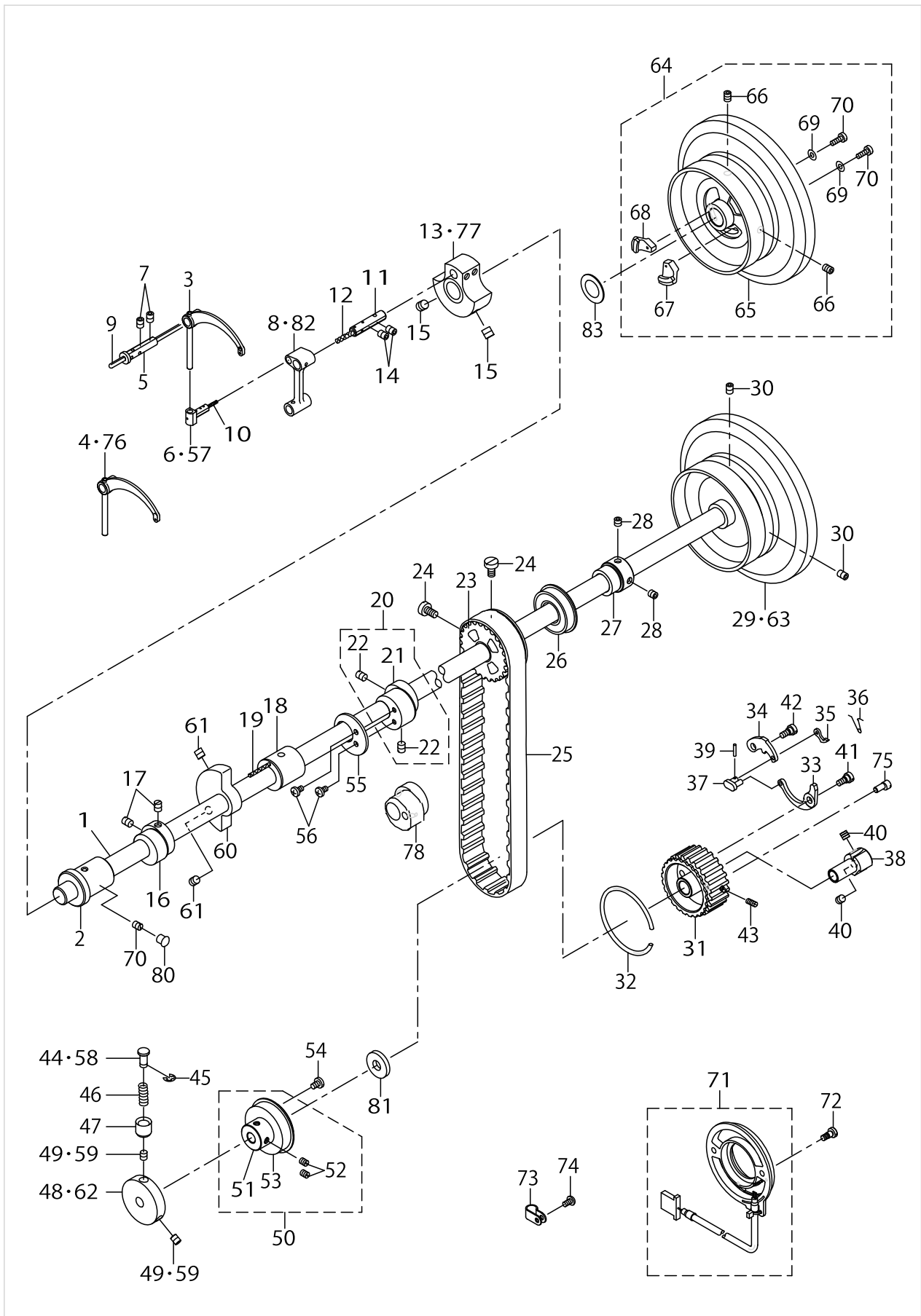


UPPER SHAFT,LOWER SHAFT DRIVING & BALANCE COMPONENTS

No.	Supply Code	Parts No.	Replacement	Parts name	Remarks	Choice	Step	Level	Cons	Qty	Rep. QTY
1		21332705		UPPER SHAFT						1	
2		21333000		UPPER SHAFT FRONT METAL						1	
3		21333208		BALANCE	FOR LU-1511N-7					1	
4		B1905563000		THREAD TAKE-UP LEVER ASM.	FOR LU-1509N					1	
5		B1906051000		TAKE-UP LEVER PIN						1	
6		B1907051000		TAKE-UP LEVER THRUST PIN	FOR LU-1-509N,LU-1509NH					1	
7		SS8150822TP		SCREW 15/64-28 L=8						2	
8		21339106		NEEDLE BAR CRANK ROD						1	
9		CQ303000000		OIL WICK						.45	
10		CQ202000000		OIL WICK						.03	
11		B1210051000		NEEDLE BAR CRANK PIN						1	
12		CQ505000000		OIL WICK						.03	
13		21332507		COUNTER WEIGHT (A) (36MM)	FOR LU-1-509N,LU-1511N-7					1	
14		SS8150822TP		SCREW 15/64-28 L=8						2	
15		SM8080812TP		SCREW M8X8						2	
16	R	21339502	21339551	UPPERFEEDCAM(3.5)	FOR LU-1-509N,LU-1509NH					1	1.00
17		SS8660810TP		SCREW 1/4-40 L=8	FOR LU-1-509N,LU-1509NH					2	
18		21333109		UPPER SHAFT INNER METAL						1	
19		CQ202000000		OIL WICK						.15	
20		21336557		ECCENTRIC CAM A ASM.	FOR LU-1-509N,LU-1511N-7					1	
21	R	21336508	21336557	ECCENTRIC CAM A				*		1	1.00
22		SS8660810TP		SCREW 1/4-40 L=8				*		2	
23		40038692		UPPER SPROCKET						1	
24		SS6661110SP		SCREW 1/4-40 L=11						2	
25		22604300		TIMING BELT						1	
26		B1203512000		BUSHING, REAR						1	
27		21402300		UPPER SHAFT BEARING HOOK						1	
28		SM8060602TP		SCREW M6X6						2	
29		21332903		FLYWHEEL	FOR LU-1509NH					1	
30		SS8150822TP		SCREW 15/64-28 L=8	FOR LU-1-509N,LU-1509NH					2	
31		21387501		LOWER SPROCKET						1	
32		B1214019000		SPROCKET RING						1	
33		21387709		SAFETY CLUTCH SPRING						1	
34		21387600		SAFETY CLUTCH HOOK						1	
35		B1308055000		SAFETY CLUTCH COUNTER-HOOK						1	
36	R	B1309055000	40113224	COUNTER-HOOK SPRING						1	1.00
37		B1310055000		SAFETY CLUTCH SMALL LINK						1	
38		21387808		SAFETY BASE						1	
39		B1314055000		SAFETY CLUTCH SMALL LINK PIN						1	
40		SS8660612TP		SCREW 1/4-40 L=6						2	
41		SD0640322TP		HINGE SCREW D= 6.35 H= 3.2						1	
42		SD0640322TP		HINGE SCREW D= 6.35 H= 3.2						1	
43		SS8111010TP		SCREW 11/64-40 L=9.5						1	
44		B1312563000A		SAFETY CLUTCH PUSH BUTTON	FOR LU-1-509N,LU-1509NH					1	



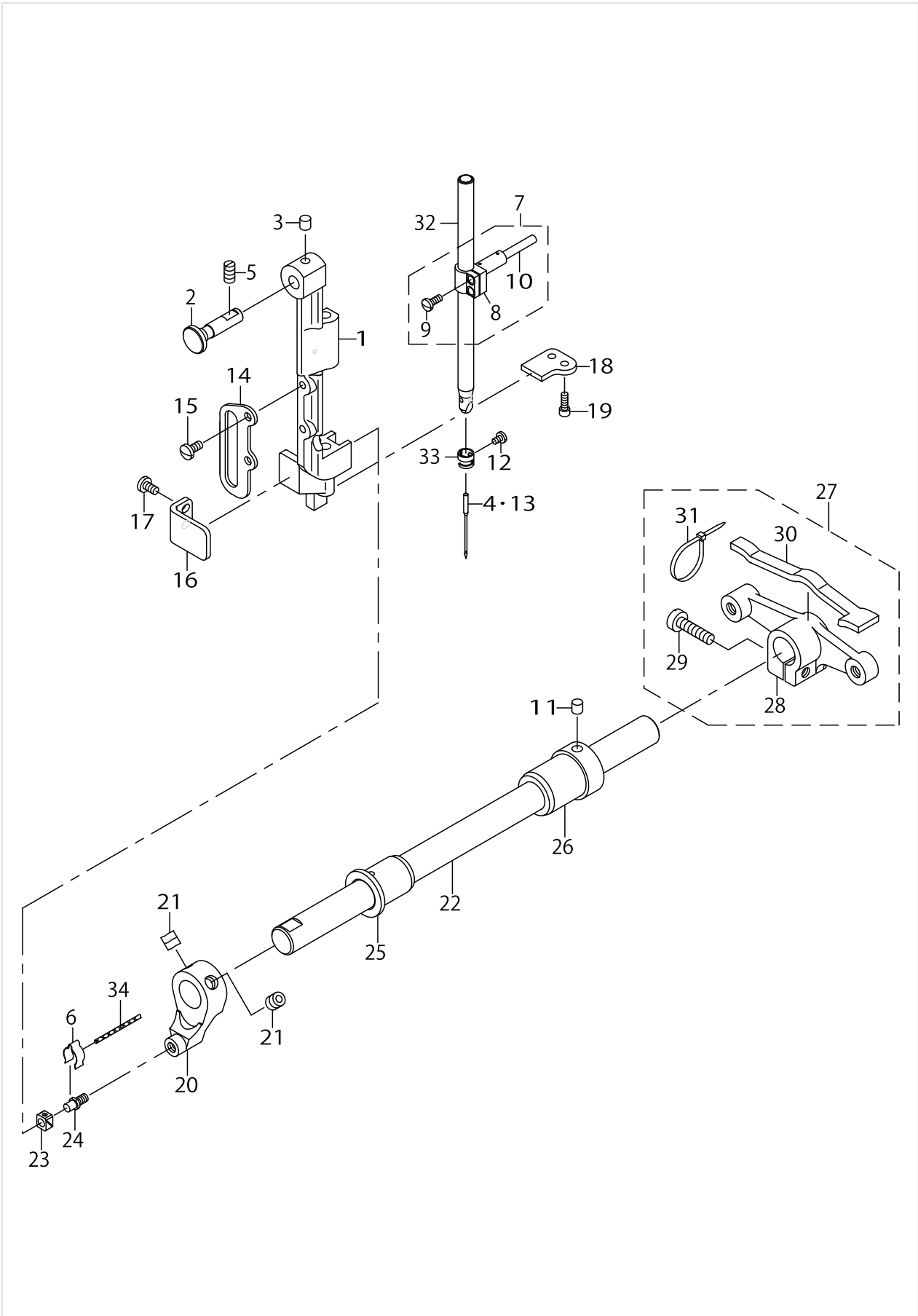
UPPER SHAFT, LOWER SHAFT DRIVING & BALANCE COMPONENTS



UPPER SHAFT,LOWER SHAFT DRIVING & BALANCE COMPONENTS

No.	Supply Code	Parts No.	Replacement	Parts name	Remarks	Choice	Step	Level	Cons	Qty	Rep. QTY
45		RE0500000K0		E-RING						1	
46		B1639051000		SPRING						1	
47		B1313055000		SAFETY CLUTCH KNOB SLEEVE						1	
48		21333703		SAFETY CLUTCH DISC	FOR LU-1-509N,LU-1509NH					1	
49		SS8150710TP		SCREW 15/64-28 L=7	FOR LU-1-509N,LU-1509NH					2	
50		40038700		THRUST COLLAR ASM.						1	
51	R	40038702	40038700	THRUST COLLAR				*		1	1.00
52		SS8661030SP		SCREW 1/4-40 L=10				*		2	
53		SB120000200		BEARING 20X42				*		1	
54		SS7120760SP		SCREW 3/16-28L=7.0						2	
55		21353008		HORIZONTAL FEED CAM COVER	FOR LU-1-509N,LU-1511N-7					1	
56		SS7110710SP		SCREW 11/64-40 L=7	FOR LU-1-509N,LU-1511N-7					2	
57		21333307		BALANCE SLIDE SHAFT	FOR LU-1511N-7					1	
58		40104367		SAFETY CLUTCH PUSH BUTTON	FOR LU-1511N-7					1	
59		SS8660530TP		SCREW 1/4-40 L=4.5	FOR LU-1511N-7					2	
60		21333406		BALANCER	FOR LU-1509N					1	
61		SS8151550SP		SCREW15/64-28L=15	FOR LU-1509N					2	
62		21333901		SAFETY CLUTCH DISC	FOR LU-1511N-7					1	
63		21334008		FLYWHEEL	FOR LU-1509N					1	
64		21393152		FLYWHEEL ASM.	FOR LU-1511N-7					1	
65		21393103		FLYWHEEL				*		1	
66		SS8150822TP		SCREW 15/64-28 L=8				*		2	
67		M40071100AA		MAGNET FITTING BASE A ASM.				*		1	
68		M40071100AB		MAGNET FITTING BASE B ASM.				*		1	
69		WP0450801SD		WASHER 4.5X10X0.8				*		2	
70		SS6111210SP		SCREW11/64-40L=12				*		2	
71		40024855		CONTAIN SYNCHRO ASM.	FOR LU-1511N-7					1	
72		10604809		SCREW	FOR LU-1511N-7					2	
73		HX00123000A		CABLE CLIP	FOR LU-1511N-7					1	
74		SS4110815SP		SCREW 11/64-40 L=8	FOR LU-1511N-7					1	
75		21387907		ADJUSTING PIN (1.2)						1	
76		B1905241H00		THREAD TAKE-UP LEVER	FOR LU-1509NH					1	
77		21332606		COUNTER WEIGHT (B) (38MM)	FOR LU-1509NH					1	
78		21352505		TRIANGULAR CAM	FOR LU-1509NH					1	
79		SS8150710TP		SCREW 15/64-28 L=7						1	
80		TA0750704R0		RUBBER PLUG						1	
81		40016148		THRUST COLLAR B WASHER						1	
82		40055028		NEEDLE BAR CRANK ROD	FOR LU-1509NH					1	
83		22606206		SPACER Y	FOR LU-1511N-7					1	

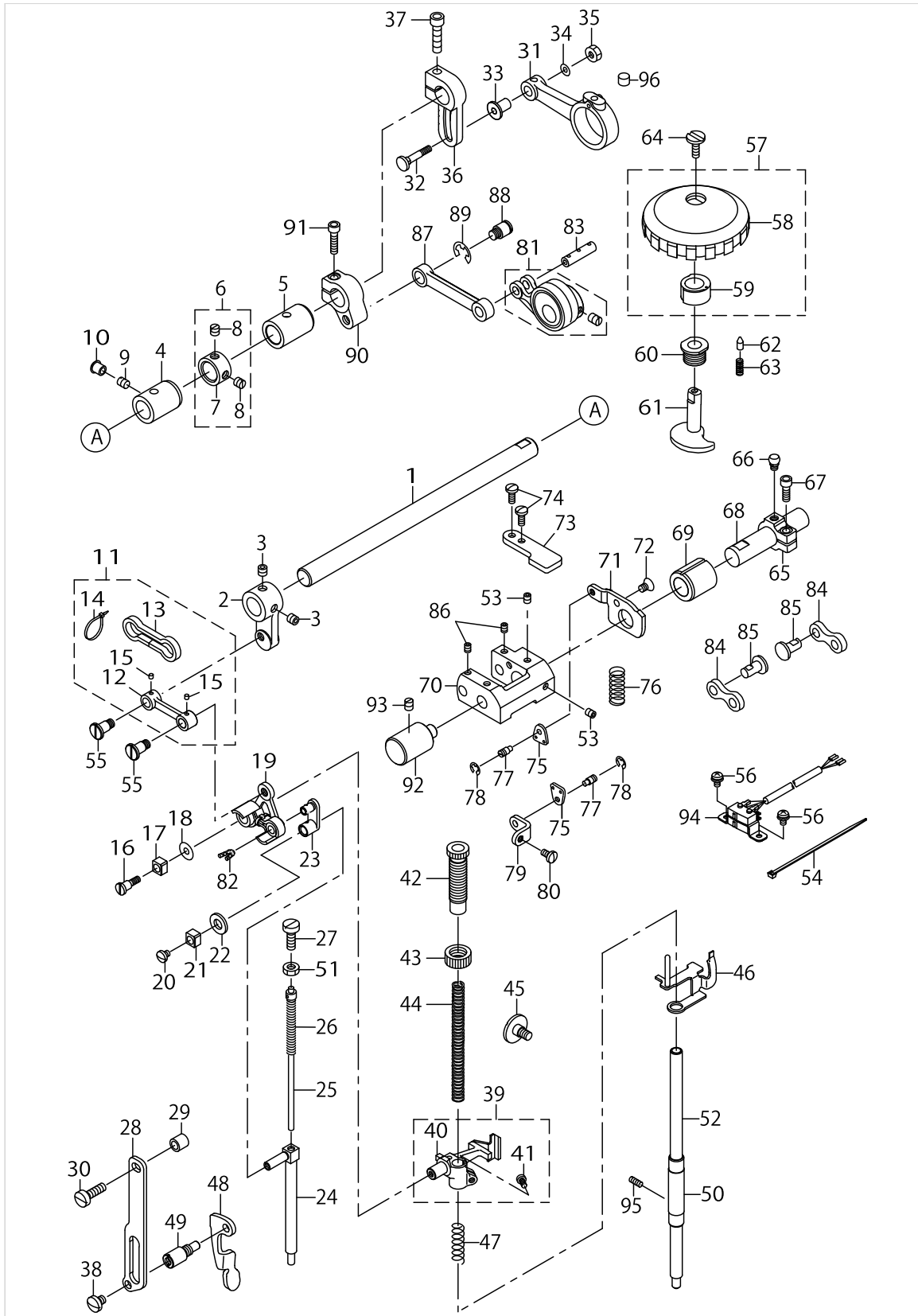
# NEEDLE BAR ROCKING COMPONENTS



NEEDLE BAR ROCKING COMPONENTS

No.	Supply Code	Parts No.	Replacement	Parts name	Remarks	Choice	Step	Level	Cons	Qty	Rep. QTY
1		23002009		NEEDLE BAR FRAME						1	
2		21405204		HINGE STUD						1	
3		22814909		FELT						1	
4		MC0190R1600		NEEDLE 190R #160	FOR LU-1509NH					1	
5		SS8151150TP		SCREW 15/64-28 L=10.5						1	
6		B1437051000		OIL WICK RETAINER						1	
7		B14110570A0		NEEDLE BAR CLAMP ASM.						1	
8	R	B1411057000	B14110570A0	NEEDLE BAR CONNECTION				*		1	1.00
9	R	SS7110910SP	SS7110910TP	SCREW 11/64-40 L=8.5				*		1	1.00
10		B1412051000		FELT				*		1	
11		22814909		FELT						1	
12		SS7080510TP		SCREW 1/8-44 L=4.5						1	
13		M13517B1600		NEEDLE 135X17 #160	FOR LU-1-509N,LU-1511N-7					1	
14		21438007		UPPER FEED BAR GUIDE						1	
15		SS7110910TP		SCREW 11/64-40 L= 8.5						2	
16		21388400		ROCKING BASE GUIDE						1	
17		SS7110830SP		SCREW 11/64-40 L= 7.5						2	
18		21338603		ROCKING BASE GUIDE (B)						1	
19		SS6091022TP		SCREW						2	
20		21338801		ROCKINGFRONTARM						1	
21		SM8080802TP		SCREW						2	
22		21338900		ROCKING SHAFT						1	
23		B1414232000		SQUARE BLOCK						1	
24		B1410771000		STUD						1	
25		21339304		ROCKING SHAFT FRONT METAL						1	
26		40027746		BUSHING REAR						1	
27		21339056		ROCKING REAR ARM ASM.						1	
28		21339007		ROCKING REAR ARM				*		1	
29		SS6152440SP		SCREW 15/64-28 L=23.5				*		1	
30		21347406		ROCKING REAR ARM FELT				*		1	
31		EA9500B0100		CABLE BAND				*		2	
32		B1401246000		NEEDLE BAR	FOR LU-1511N-7					1	
33		B1418141H00		NEEDLE BAR THREAD GUIDE	FOR LU-1511N-7					1	
34		CQ202000000		OIL WICK						.05	

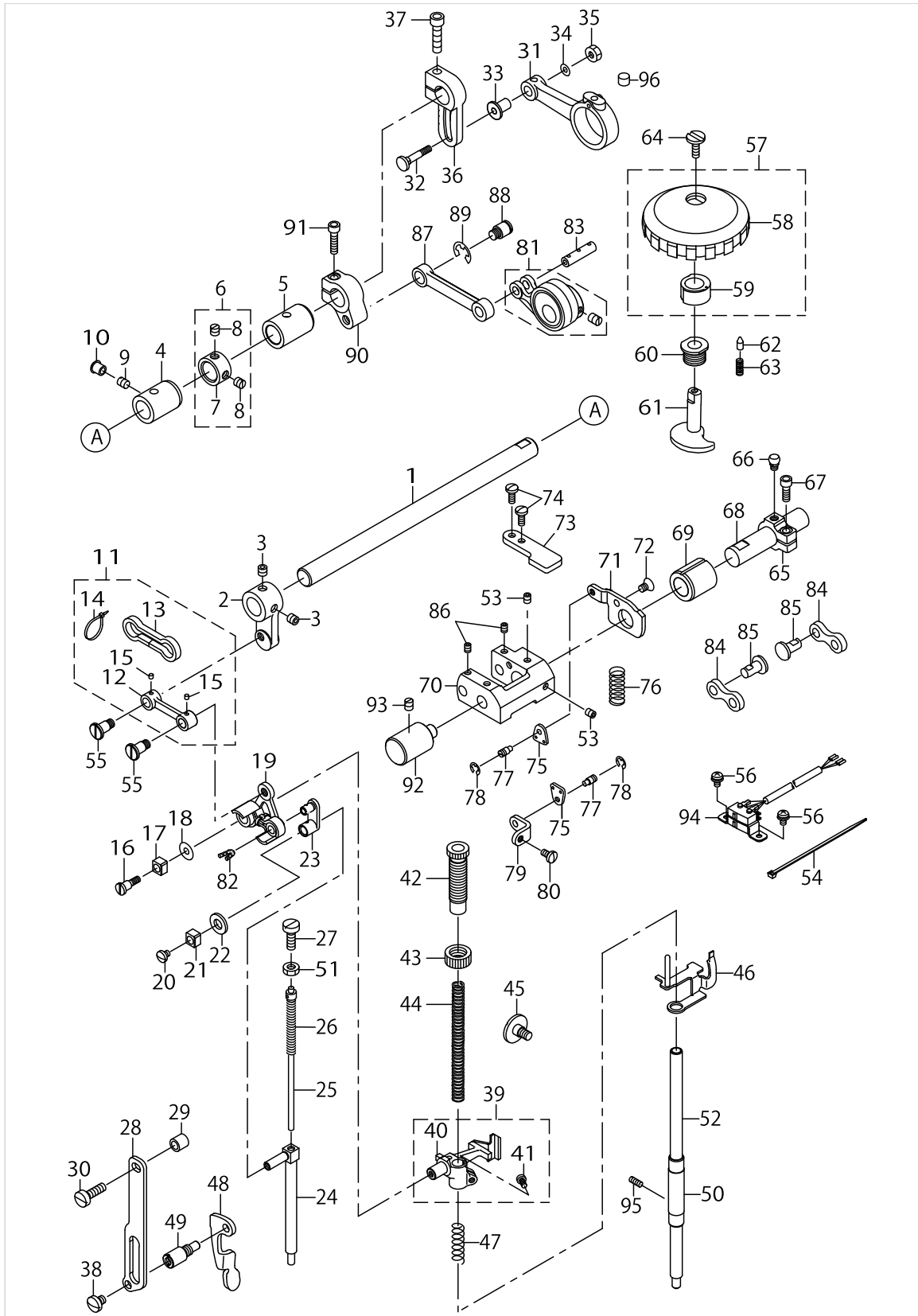
PRESSURE ADJUSTING & UPPER FEED MECHANISM COMPONENTS



PRESSURE ADJUSTING & UPPER FEED MECHANISM COMPONENTS

No.	Supply Code	Parts No.	Replacement	Parts name	Remarks	Choice	Step	Level	Cons	Qty	Rep. QTY
1		21340401		UPPER FEED SHAFT						1	
2		21340500		UPPER FEED FRONT ARM						1	
3		SS8660612TP		SCREW 1/4-40 L=6						2	
4		40039326		FRONT METAL						1	
5		21378302		FEED ROCK SHAFT METAL						1	
6		22904155		MAIN SHAFT THRU-ST COLLAR ASM.						1	
7	R	22904106	22904155	MAIN SHAFT THRUST COLLAR				*		1	1.00
8		SS8660610TP		SCREW 1/4-40 L=6				*		2	
9	R	SS8150710SP	SS8150710TP	SCREW 15/64-28 L=7						1	1.00
10		TA0750704R0		RUBBER PLUG						1	
11		40033027		UPPER FEED LINK ASM.						1	
12		40033026		UPPER FEED LINK				*		1	
13		21347109		FELT				*		1	
14		EA9500B0000		CLIP CV-70S				*		2	
15		CQ3000000F0		OIL FELT				*		0.-0028	
16		40018339		SCREW						1	
17		B1414555000		SLIDE BLOCK						1	
18		WP0501046SC		WASHER 5 X 13 X 1						1	
19		40033029		TRIANGULAR LEVER ASM.						1	
20		SS7110510SP		SCREW 11/64-40 L=5						1	
21		B1414555000		SLIDE BLOCK						1	
22		10509701		FELT						1	
23		40018341		WALKING BAR DRIVING LINK						1	
24		40033033		WALKING BAR B						1	
25		B14670530A0		WALKING BAR ASM.						1	
26		B1468053000		WALKING BAR SPRING						1	
27		SS6151780SP		SCREW 15/64-28 L=17.0						1	
28		21406509		UPPER FEED GUIDE PLATE						1	
29		26225201		ROLLER						1	
30		SS6151920SP		SCREW 15/64-28 L=19.0						1	
31		21340104		UPPER FEED ROD	FOR LU-1-509N,LU-1509NH					1	
32		D1456055B00		HINGE SCREW	FOR LU-1-509N,LU-1509NH					1	
33		D1455055B00		CONNECTING STUD	FOR LU-1-509N,LU-1509NH					1	
34		WP0482086SD		WASHER 4.8X11.5X2	FOR LU-1-509N,LU-1509NH					1	
35		NS6110530SP		NUT 11/64-40	FOR LU-1-509N,LU-1509NH					1	
36		21437900		UPPER FEED REAR ARM	FOR LU-1-509N,LU-1509NH					1	
37		SM6062502TP		SCREW M6 L=25	FOR LU-1-509N,LU-1509NH					1	
38		SS7150740SP		SCREW 15/64-28 L=7						1	
39		40033035		PRESSER BAR HOLDER B ASM.						1	
40		40033034		PRESSER BAR HOLDER B				*		1	
41		SS7110910TP		SCREW 11/64-40 L= 8.5				*		1	
42		21340906		PRESSER ADJUSTING SCREW						1	
43	R	22907604	22907554	PRESSER SPRING REGULATOR NUT						1	1.00

PRESSURE ADJUSTING & UPPER FEED MECHANISM COMPONENTS

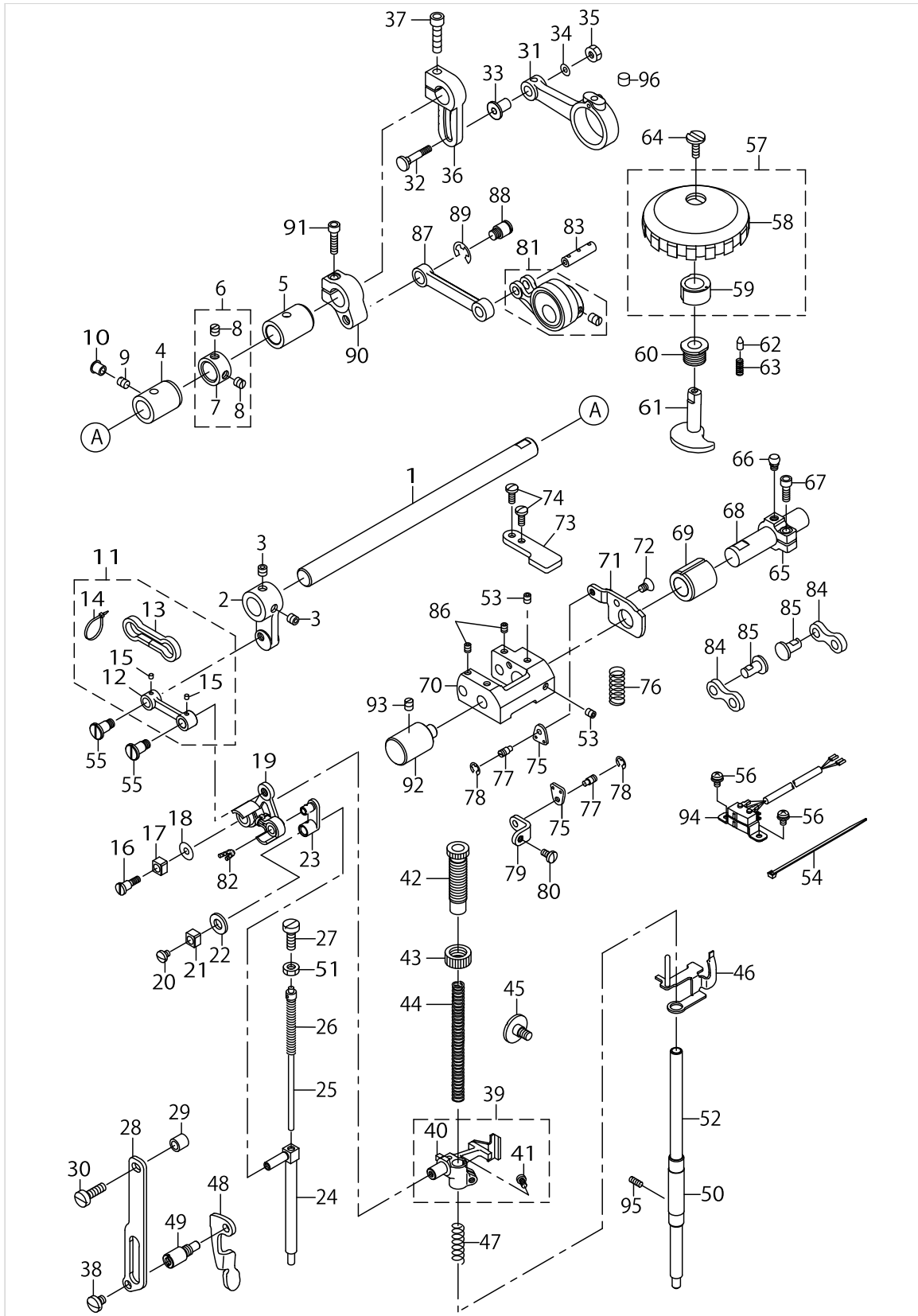


PRESSURE ADJUSTING & UPPER FEED MECHANISM COMPONENTS

No.	Supply Code	Parts No.	Replacement	Parts name	Remarks	Choice	Step	Level	Cons	Qty	Rep. QTY
44		B1502246000		PRESSER SPRING						1	
45		SD0800481SP		HINGE SCREW D= 8 H= 4.9						1	
46		21451752		HOLDING PLATE COMPL.						1	
47		B1462053000		THREAD RELEASE SPRING						1	
48		21406103		PRESSER LIFTER LEVER						1	
49		21406608		GUIDE PLATE SPACER						1	
50		22907109		PRESSER BAR BUSHING, LOWER						1	
51		NS6150430SP		NUT 15/64-28						1	
52		21451505		PRESSER BAR						1	
53		SM8050602TP		SCREW M5 L=6	FOR LU-1511N-7					2	
54		EA9500B0100		CABLE BAND	FOR LU-1511N-7					1	
55		40018340		SCREW						2	
56		SL4040881SC		SCREW M4 L=8	FOR LU-1511N-7					2	
57		10774354		UPPER AND LOWER DIAL ASM.	FOR LU-1511N-7					1	
58	R	10774305	10774354	VERTICAL DIAL				*		1	1.00
59		10774404		VERTICAL CAM				*		1	
60		10715100		VERTICAL DIAL SHAFT BUSHING	FOR LU-1511N-7					1	
61		40108542		VERTICAL ADJUSTING CAM	FOR LU-1511N-7					1	
62		10715704		VERTICAL DIAL PIN	FOR LU-1511N-7					1	
63		B152652700G		SPRING	FOR LU-1511N-7					1	
64		SS6110630TP		SCREW 11/64-40 L=6	FOR LU-1511N-7					1	
65		21341607		VERTICAL ADJUSTING ARM	FOR LU-1511N-7					1	
66		10715308		PIN	FOR LU-1511N-7					1	
67		SM6051402TP		SCREW M5X0.8 L=14	FOR LU-1511N-7					1	
68		21341508		VERTICAL CHANGE BASE SHAFT	FOR LU-1511N-7					1	
69		10718203		FEED SHAFT FRONT METAL	FOR LU-1511N-7					1	
70		10714202		VERTICAL CHANGE BELT	FOR LU-1511N-7					1	
71		21339601		UPPER FEED STOPPER PLATE (A)	FOR LU-1511N-7					1	
72	R	SM1050801SR	SM1050801SC	SCREW M5 L=8	FOR LU-1511N-7					1	1.00
73		21339700		UPPER FEED STOPPER PLATE (B)	FOR LU-1511N-7					1	
74		SS7111120TP		SCREW	FOR LU-1511N-7					2	
75		10713501		SPRING HOOK	FOR LU-1511N-7					2	
76		10716504		VERTICAL SHAFT SPRING	FOR LU-1511N-7					1	
77		B3416552000		CONNECTING ROD HINGE SCREW	FOR LU-1511N-7					2	
78		RE0500000K0		E-RING	FOR LU-1511N-7					2	
79		21339809		UPPER FEED DOG SPRING HOOK	FOR LU-1511N-7					1	
80		SS7110830SP		SCREW 11/64-40 L= 7.5	FOR LU-1511N-7					1	
81		40075553		ECCENTRIC ROD(SET)	FOR LU-1511N-7					1	
82		CQ252000000		OIL WICK						.02	
83		10713808		CONNECTION LINK PIN B	FOR LU-1511N-7					1	
84		40107949		CONNECTION LINK B	FOR LU-1511N-7					2	
85	R	10714608	40052263	CONNECTION LINK B SUPPORT PIN	FOR LU-1511N-7					2	1.00
86		SM8050602TP		SCREW M5 L=6	FOR LU-1511N-7					2	
87		21340005		UPPER FEED LINK (B)	FOR LU-1511N-7					1	
88		21048707		HINGE SCREW	FOR LU-1511N-7					1	
89		RE0800000K0		E-SHAPED SNAP RING (8MM)	FOR LU-1511N-7					1	



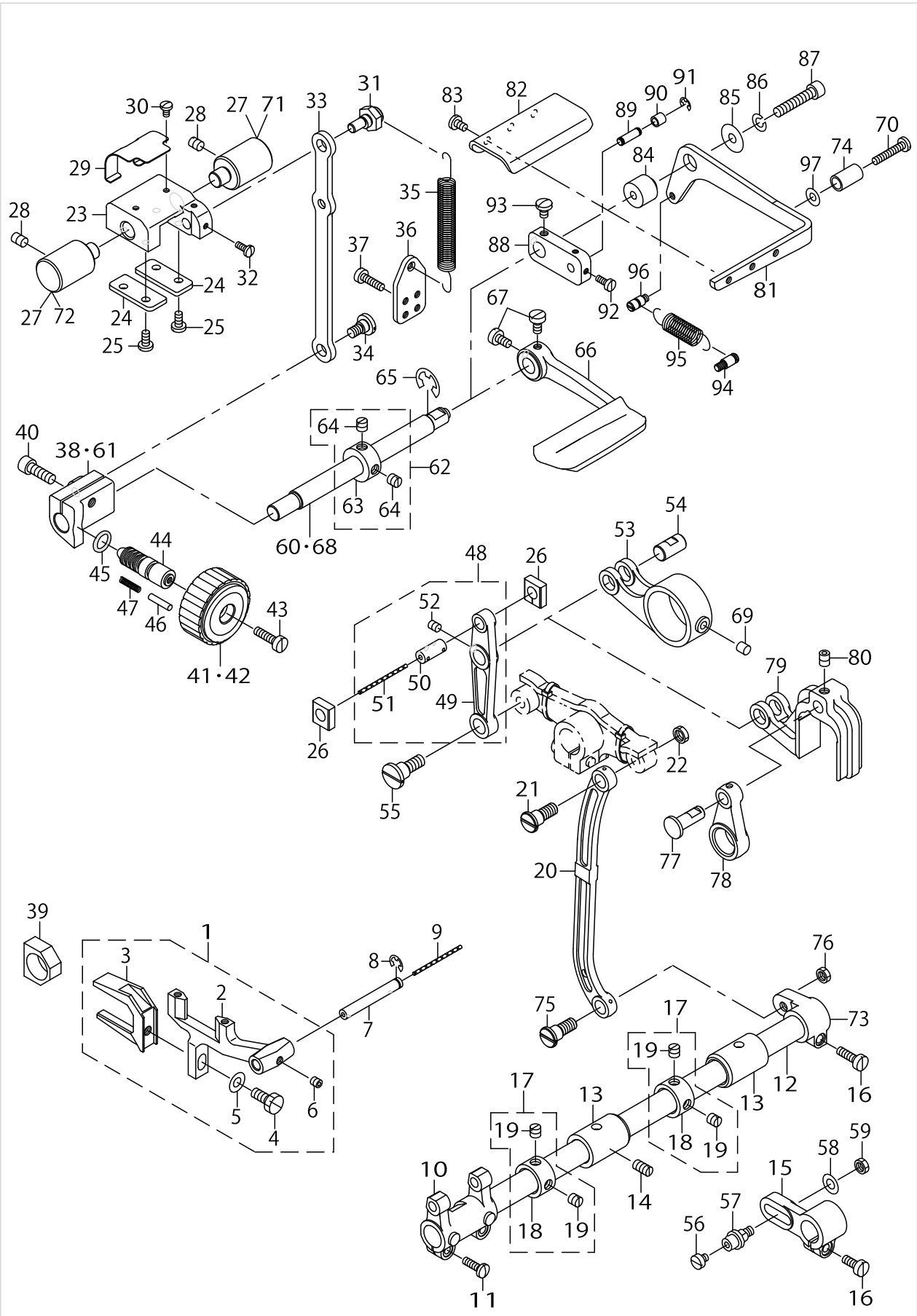
PRESSURE ADJUSTING & UPPER FEED MECHANISM COMPONENTS



PRESSURE ADJUSTING & UPPER FEED MECHANISM COMPONENTS

No.	Supply Code	Parts No.	Replacement	Parts name	Remarks	Choice	Step	Level	Cons	Qty	Rep. QTY
90		21340302		UPPER FEED REAR ARM (B)	FOR LU-1511N-7					1	
91		SM6052002TP		SCREW M5 L=20	FOR LU-1511N-7					1	
92		21337803		FEED ADJUSTING BASE SUPPORT	FOR LU-1511N-7					1	
93	R	SS8150710SP	SS8150710TP	SCREW 15/64-28 L=7	FOR LU-1511N-7					1	1.00
94		40024852		VERTICAL DETECT-OR SWITCH ASM.	FOR LU-1511N-7					1	
95		SS8110520TP		SCREW 11/64-40 L= 4.5						1	
96		22814909		FELT						1	

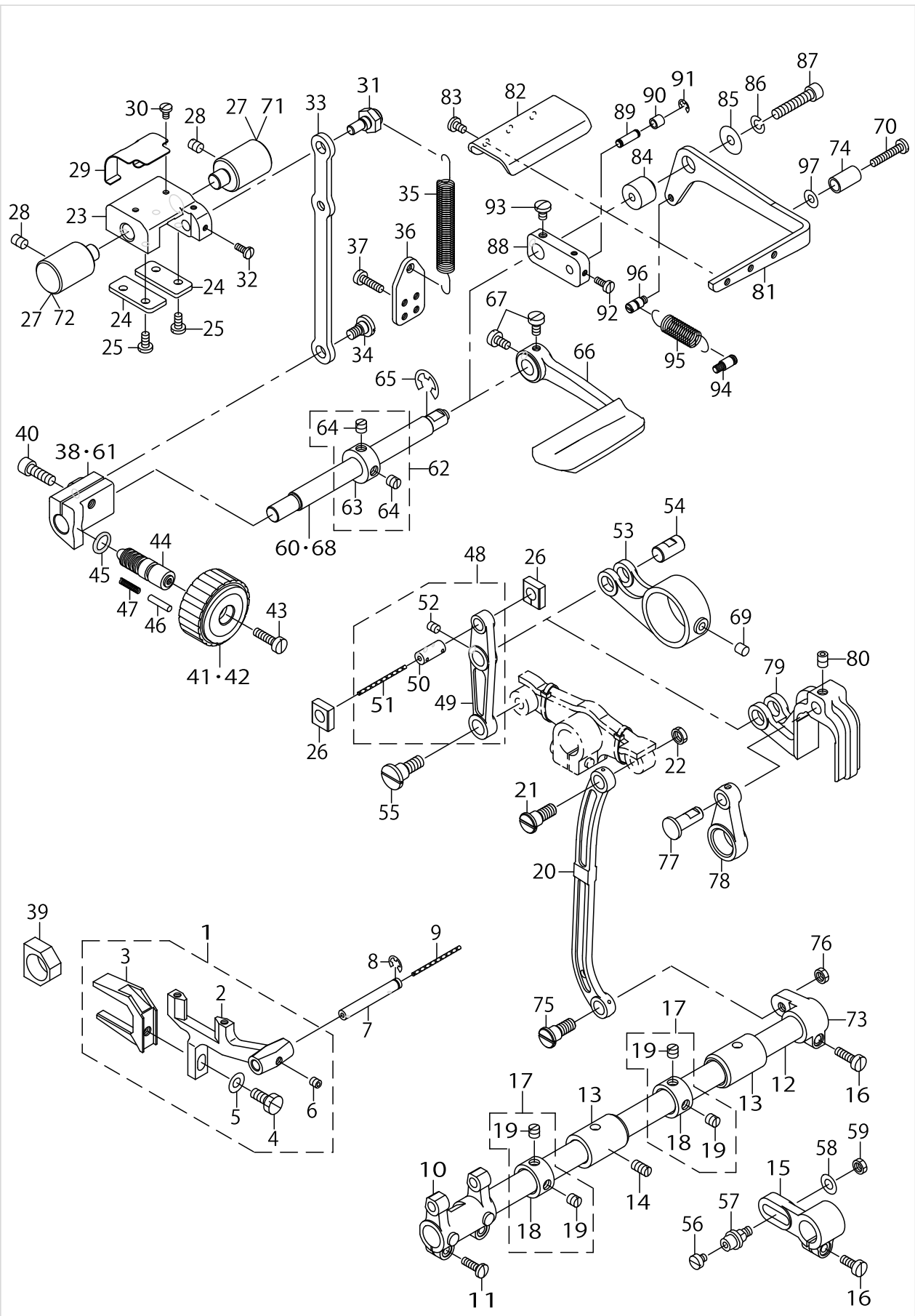
FEED MECHANISM COMPONENTS



FEED MECHANISM COMPONENTS

No.	Supply Code	Parts No.	Replacement	Parts name	Remarks	Choice	Step	Level	Cons	Qty	Rep. QTY
1		21451851		FEED BASE ASM.						1	
2		21451802		FEED BASE				*		1	
3	R	21451901	21451851	FEED BASE FORK				*		1	1.00
4		SS9151440CP		SCREW15/64-28L=14				*		1	
5		WP0621016SD		WASHER 6.2X13X1				*		1	
6		SM8050502TP		SCREW M5 L=5				*		1	
7		B1604012000A		FEED BAR SHAFT						1	
8		RE0500711KP		SNAP RING 5						1	
9		CQ202000000		OIL WICK						.14	
10		21364104		FEED ROCKER						1	
11	R	SS7111410SP	SS7111410TP	SCREW11/64-40L=14						2	1.00
12		22609408		FEED ROCK SHAFT						1	
13		21378302		FEED ROCK SHAFT METAL						2	
14		SS8151150TP		SCREW 15/64-28 L=10.5						1	
15		B3025141H00A		CONNECTING ARM	FOR LU-1511N-7					1	
16		SS6121210TP		SCREW 3/16-28 L=12						1	
17		22904155		MAIN SHAFT THRU-ST COLLAR ASM.						2	
18	R	22904106	22904155	MAIN SHAFT THRUST COLLAR				*		1	1.00
19		SS8660610TP		SCREW 1/4-40 L=6				*		2	
20		10205201		NEEDLE BAR FRAME ROD						1	
21		SD0900701TP		HINGE SCREW D= 9 H= 7						1	
22		NS6680320SP		NUT 9/32-28						1	
23		21337506		FEED ADJUSTING BASE						1	
24		21337704		FEED ADJUSTING BASE COVER						2	
25		SS7110910TP		SCREW 11/64-40 L= 8.5						4	
26		21337407		SQUARE BLOCK						2	
27		21337803		FEED ADJUSTING BASE SUPPORT	FOR LU-1-509N,LU-1509NH					2	
28		SS8150822TP		SCREW 15/64-28 L=8						2	
29		21338306		FELT SUPPORT						1	
30		SS7090610SP		SCREW 9/64-40 L=6						2	
31		21337902		ECCENTRIC PIN						1	
32		SS7090910TP		SCREW9/64-40L=8.5						2	
33		21337308		FEED ADJUSTING ROD						1	
34		SD0800402TP		HINGE SCREW D= 8 H= 4						1	
35		21337605		SPRING						1	
36		40019926		SPRING HOOK						1	
37		SS6111610SP		SCREW11/64-40L=16						2	
38		21337209		FEED ADJUSTING A	FOR LU-1-509N,LU-1511N-7					1	
39		B1610512000		FEED DRIVING SLIDE BLOCK						1	
40		SM6061802TP		SCREW M6 L=18						1	
41		21336805		FEED DIAL A	FOR LU-1-509N,LU-1511N-7					1	
42		21336904		FEED DIAL B	FOR LU-1509NH					1	
43		SS6121860SP		SCREW 3/16-28 L=18						1	
44		22901805		GROUND MARK						1	
45		RO092270200		RUBBER RING						1	

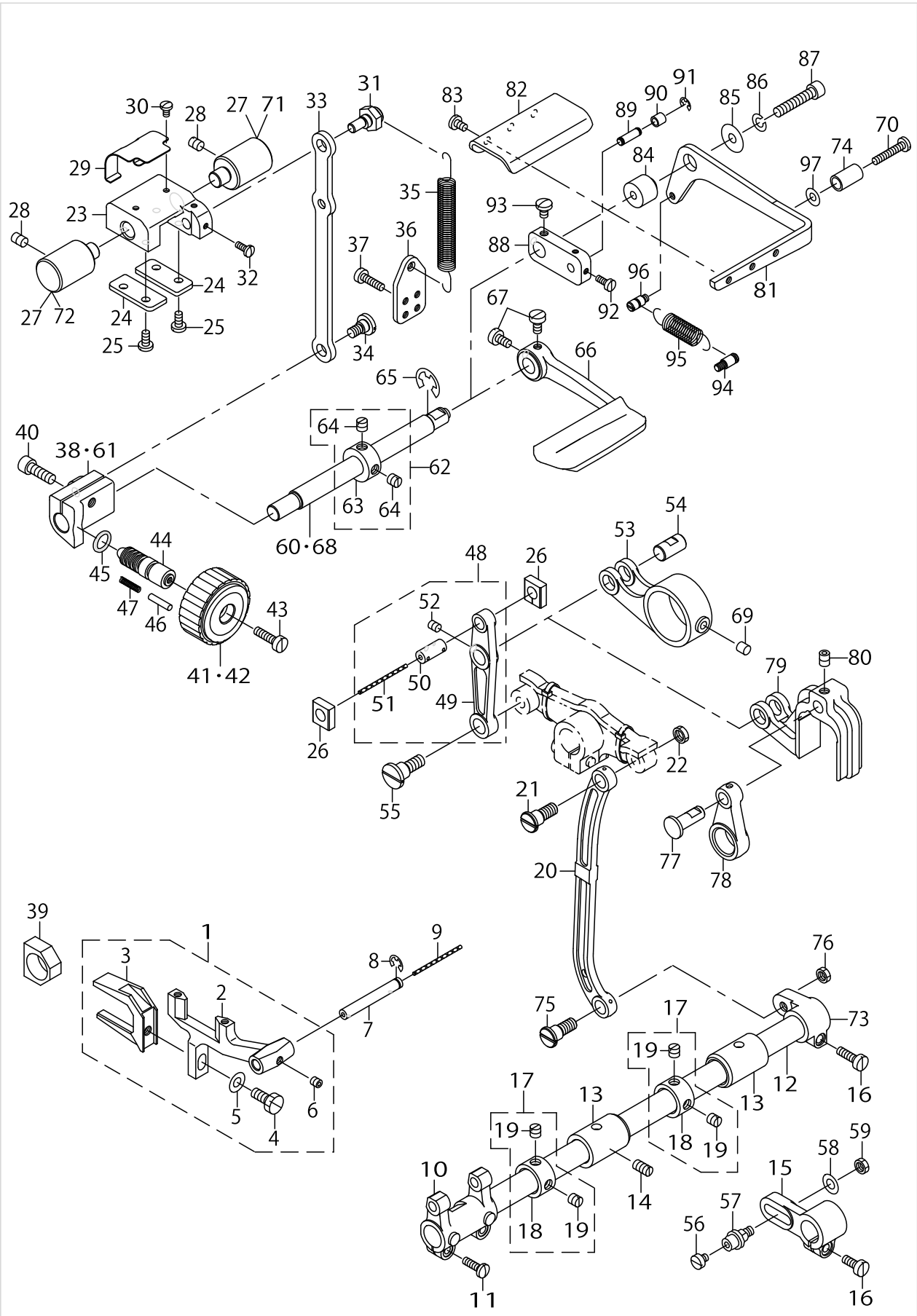
FEED MECHANISM COMPONENTS



FEED MECHANISM COMPONENTS

No.	Supply Code	Parts No.	Replacement	Parts name	Remarks	Choice	Step	Level	Cons	Qty	Rep. QTY
46		22912000		FEED REGULATOR PIN						1	
47		22912109		FEED REGULATOR PIN SPRING						1	
48		21336656		FEED LINK ASM.						1	
49		21336607		FEED LINK				*		1	
50		40009103		CONNECTING FORKED LINK PIN				*		1	
51		CQ202000000		OIL WICK				*		0.04	
52		SM8050612TP		SCREW M5X6				*		1	
53		21336706		FEED ROD A	FOR LU-1-509N,LU-1511N-7					1	
54		21378906		FEED LINK PIN						1	
55		SD1000801SH		HINGE SCREW D=10 H=8						1	
56		SS6110520TP		SCREW 11/64-40 L=4.5	FOR LU-1511N-7					1	
57		40108541		FEED ROCK SHAFT HINGE SCREW	FOR LU-1511N-7					1	
58		WP0650876SD		WASHER 6.5X13X0.8	FOR LU-1511N-7					1	
59		NS6150310SP		NUT 15/64-28	FOR LU-1511N-7					1	
60		21336300		BACKWARD FEED LEVER SHAFT	FOR LU-1-509N,LU-1511N-7					1	
61		21338108		FEED ADJUSTING B	FOR LU-1509NH					1	
62		CS1201010SH		THRUST COLLAR ASM. D=12 W=10						1	
63		CS1201011SH		THRUST COLLAR D=12 W=10				*		1	
64		SS8660610TP		SCREW 1/4-40 L=6				*		2	
65		RE0900000K0		E-RING 9						1	
66		21388004		REVERSE FEED ROCK SHAF	FOR LU-1-509N,LU-1511N-7					1	
67		SS6120930TP		SCREW 3/16-28 L=9	FOR LU-1509N					2	
68	D	21336409		BACKWARD FEED LEVER SHAFT B	FOR LU-1509NH					1	
69		21387402		FELT	FOR LU-1-509N,LU-1511N-7					1	
70		SS7112420SP		SCREW 11/64-40 L=24	FOR LU-1509NH					1	
71		21337803		FEED ADJUSTING BASE SUPPORT	FOR LU-1511N-7					1	
72		21430400		FEED ADJUSTER SUPPORT	FOR LU-1511N-7					1	
73		22609309		FEED ROCKER SHAFT CRANK	FOR LU-1-509N,LU-1509NH					1	
74		22952501		BACK LEVER STOPPER	FOR LU-1509NH					1	
75		SD0900701TP		HINGE SCREW D= 9 H= 7	FOR LU-1-509N,LU-1509NH					1	
76		NS6680320SP		NUT 9/32-28	FOR LU-1-509N,LU-1509NH					1	
77		21352703		FEED TRIANGULAR CAM PIN	FOR LU-1509NH					1	
78		10083202		REAR CRANK	FOR LU-1509NH					1	
79		21352604		FEED TRIANGULAR CAM ROD	FOR LU-1509NH					1	
80		SS8150822TP		SCREW 15/64-28 L=8	FOR LU-1509NH					1	
81		21337001		BACKWARD FEED LEVER B	FOR LU-1509NH					1	
82		21337100		BACKWARD FEED P-RESSER PLATE	FOR LU-1509NH					1	
83		SS7110710SP		SCREW 11/64-40 L=7	FOR LU-1509NH					3	
84		21352901		BACKWARD FEED LINK FULCRUM	FOR LU-1509NH					1	
85		WP0612056SD		WASHER 6.1X18.5X2	FOR LU-1509NH					1	
86		WS0610002KP		SPRING WASHER	FOR LU-1509NH					1	
87		SS6153012TP		SCREW 15/64-28	FOR LU-1509NH					1	
88		40039454		CHANGE BASE	FOR LU-1509NH					1	

FEED MECHANISM COMPONENTS

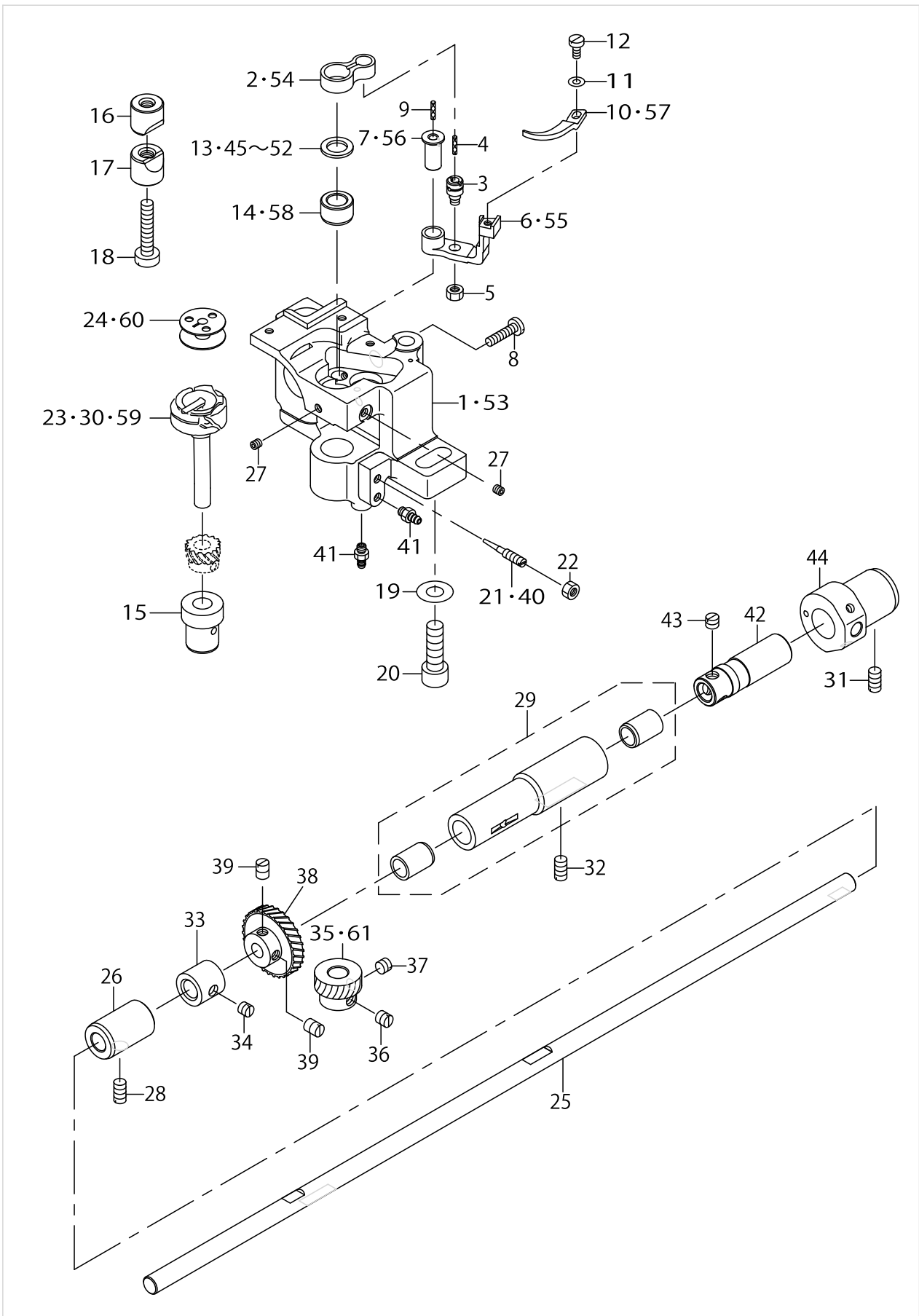


FEED MECHANISM COMPONENTS

No.	Supply Code	Parts No.	Replacement	Parts name	Remarks	Choice	Step	Level	Cons	Qty	Rep. QTY
89		D2461481C00		CONNECTING PIN	FOR LU-1509NH					1	
90		26023200		FEED CAM ROLL	FOR LU-1509NH					1	
91		RE0400000K0		E-RING 4	FOR LU-1509NH					1	
92		SS6090910SP		SCREW 9/64-40 L=9	FOR LU-1509NH					2	
93		SS7120710SP		SCREW 3/16-28 L=7	FOR LU-1509NH					1	
94		40023289		SPRINGSUSPENSION	FOR LU-1509NH					1	
95		13789201		TENSION SPRING	FOR LU-1509NH					1	
96		11272614		FEED SPRING HOOK	FOR LU-1509NH					1	
97		WP0502616SD		WASHER	FOR LU-1509NH					1	



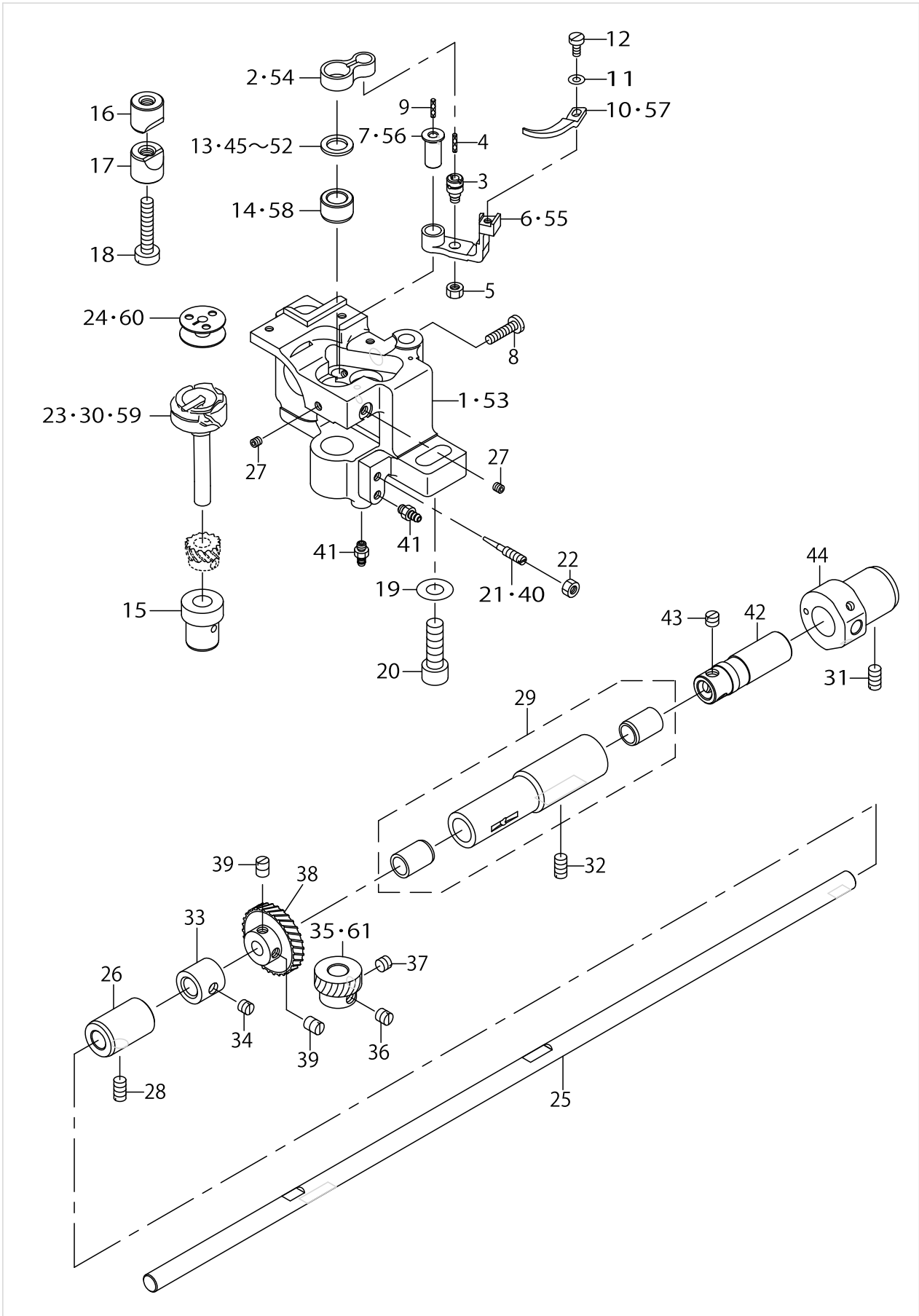
HOOK SHAFT & LOWER SHAFT COMPONENTS



HOOK SHAFT & LOWER SHAFT COMPONENTS

No.	Supply Code	Parts No.	Replacement	Parts name	Remarks	Choice	Step	Level	Cons	Qty	Rep. QTY
1		21390000		HOOK SHAFT BASE (RIGHT)	FOR LU-1511N-7					1	
2		21334909		INNER HOOK GUIDE LINK	FOR LU-1511N-7					1	
3		B1821051000		CRANK SCREW STUD						1	
4		CQ202000000		OIL WICK						.01	
5		NS6110420SP		NUT 11/64-40						1	
6		21335500		GUIDE ARM (FOR T- HREAD CUTTING)	FOR LU-1511N-7					1	
7		21335708		INNER HOOK GUIDE ARM SHAFT	FOR LU-1511N-7					1	
8		SS7111810TP		SCREW11/64-40L=18						1	
9		CQ202000000		OIL WICK						.01	
10		21335807		INNER HOOK GUIDE	FOR LU-1511N-7					1	
11		WP0371016SD		WASHER 3.7X8X1						1	
12		SS6090810SP		SCREW9/64-40 L= 7.5						1	
13		10111102		THRUST WASHER 1.3	SELECTIVE PARTS					1	
14		21378401		HOOK SHAFT UPPER METAL	FOR LU-1511N-7					1	
15		21334701		HOOK SHAFT LOWER METAL						1	
16		10109908		SADDLE INSTALLIN- G BLOCK, UPPER						1	
17		10112407		SADDLE INSTALLIN- G BLOCK, LOWER						1	
18		SS6153040SP		SCREW15/64-28L=30						1	
19		WP0850002SP		WASHER 8.5X18X1.6						1	
20		SM6082502TP		SCREW M8 L=25						1	
21		B1834512000A		OIL ADJUSTING SCREW	FOR LU-1511N-7					1	
22		NS6110420SP		NUT 11/64-40						1	
23		21387055		THREAD TRIMMER HOOK ASM.	FOR LU-1511N-7					1	
24		21334800		ALUMINUM BOBBIN WITH KNURL	FOR LU-1511N-7					1	
25		21333604		LOWER SHAFT						1	
26		21427307		LOWER SHAFT METAL , REAR						1	
27		SS8110422TP		SCREW 11/64-40 L=4						2	
28		SS8151150TP		SCREW 15/64-28 L=10.5						1	
29		B18035150A0		BUSHING ASM., INTERMEDIATE						1	
30		B1830563BA0		HOOK ASM., FOR E- XTREME THICK T	FOR LU-1509NH					1	
31	R	SS8151150SP	SS8151150TP	SCREW 15/64-28 L=10.5	FOR LU-1511N-7					1	1.00
32		SS8151150TP		SCREW 15/64-28 L=10.5						1	
33	R	21378104	21378153	VERTICAL FEED CAM						1	1.00
34		SS8150510TP		SCREW 15/64-28 L= 4.7						1	
35		B1817051000		HOOK DRIVING SH- AFT GEAR, SMALL	SELECTIVE PARTS					1	
36		SS8660670SP		SCREW 1/4-40 L= 6.1						1	
37		SS8660530TP		SCREW 1/4-40 L= 4.5						1	
38		B1816051000		HOOK DRIVING SH- AFT GEAR, LARGE						1	
39		SS8660810TP		SCREW 1/4-40 L=8						2	
40		B1843563000		OIL ADJUSTING SCREW	FOR LU-1- 509N,LU-1509NH					1	
41		SQ1110401MZ		CONNECTING SCREW	FOR LU-1511N-7					2	
42		22611909		OIL PUMP SHAFT	FOR LU-1511N-7					1	
43		SS8660530TP		SCREW 1/4-40 L= 4.5	FOR LU-1511N-7					3	
44		22611701		PLUNGERBUSHING,B	FOR LU-1511N-7					1	

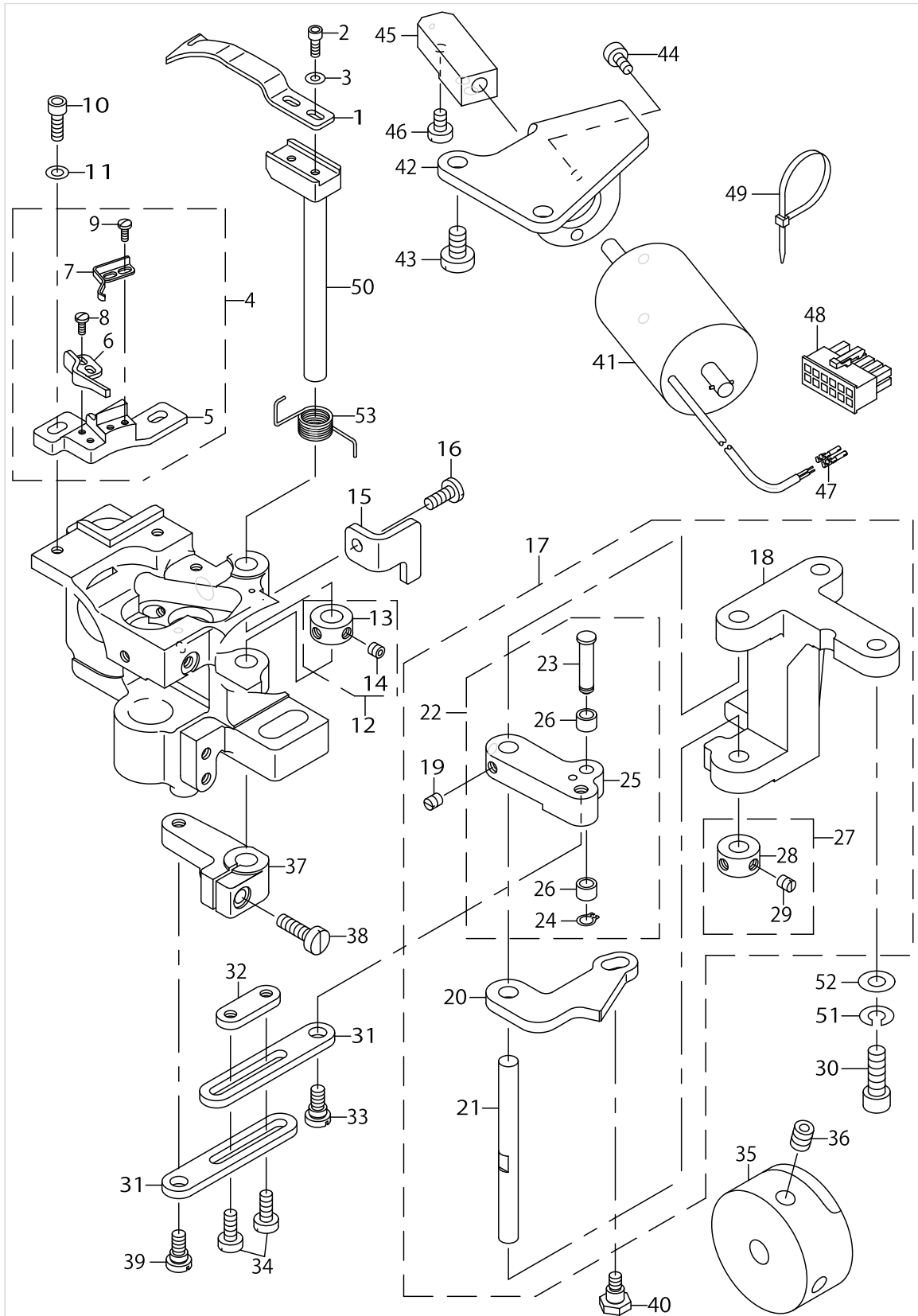
# HOOK SHAFT & LOWER SHAFT COMPONENTS



HOOK SHAFT & LOWER SHAFT COMPONENTS

No.	Supply Code	Parts No.	Replacement	Parts name	Remarks	Choice	Step	Level	Cons	Qty	Rep. QTY
45		10109700		THRUST WASHER, A	SELECTIVE PARTS					1	
46		10109809		THRUST WASHER, B	SELECTIVE PARTS					1	
47		10110906		BUSHING THRUST 1.1	SELECTIVE PARTS					1	
48		10111003		THRUST WASHER 1.2	SELECTIVE PARTS					1	
49		10111201		THRUST WASHER, F	SELECTIVE PARTS					1	
50		10112506		THRUST WASHER 1.6	SELECTIVE PARTS					1	
51		10112605		THRUST WASHER 1.7	SELECTIVE PARTS					1	
52		10112704		THRUST WASHER 1.8	SELECTIVE PARTS					1	
53		21335005		HOOK SHAFT BASE (RIGHT)	FOR LU-1-509N,LU-1509NH					1	
54		B1820563000		BOBBIN CASE OPENING LEVER LINK	FOR LU-1-509N,LU-1509NH					1	
55		B1822563000		BOBBIN CASE OPENING LEVER CRANK	FOR LU-1-509N,LU-1509NH					1	
56		B1823051000		OPENING LEVER CRANK PIN	FOR LU-1-509N,LU-1509NH					1	
57		B1824563000		BOBBIN CASE OPENING LEVER	FOR LU-1-509N,LU-1509NH					1	
58		21378500		HOOK SHAFT UPPER METAL	FOR LU-1-509N,LU-1509NH					1	
59		B18305630A0		VERTICAL-AXIS SEWING HOOK ASM.	FOR LU-1509N					1	
60		B9117563000		BOBBIN	FOR LU-1-509N,LU-1509NH					1	
61		40042611		HOOK DRIVING SHAFT GEAR	SELECTIVE PARTS					1	

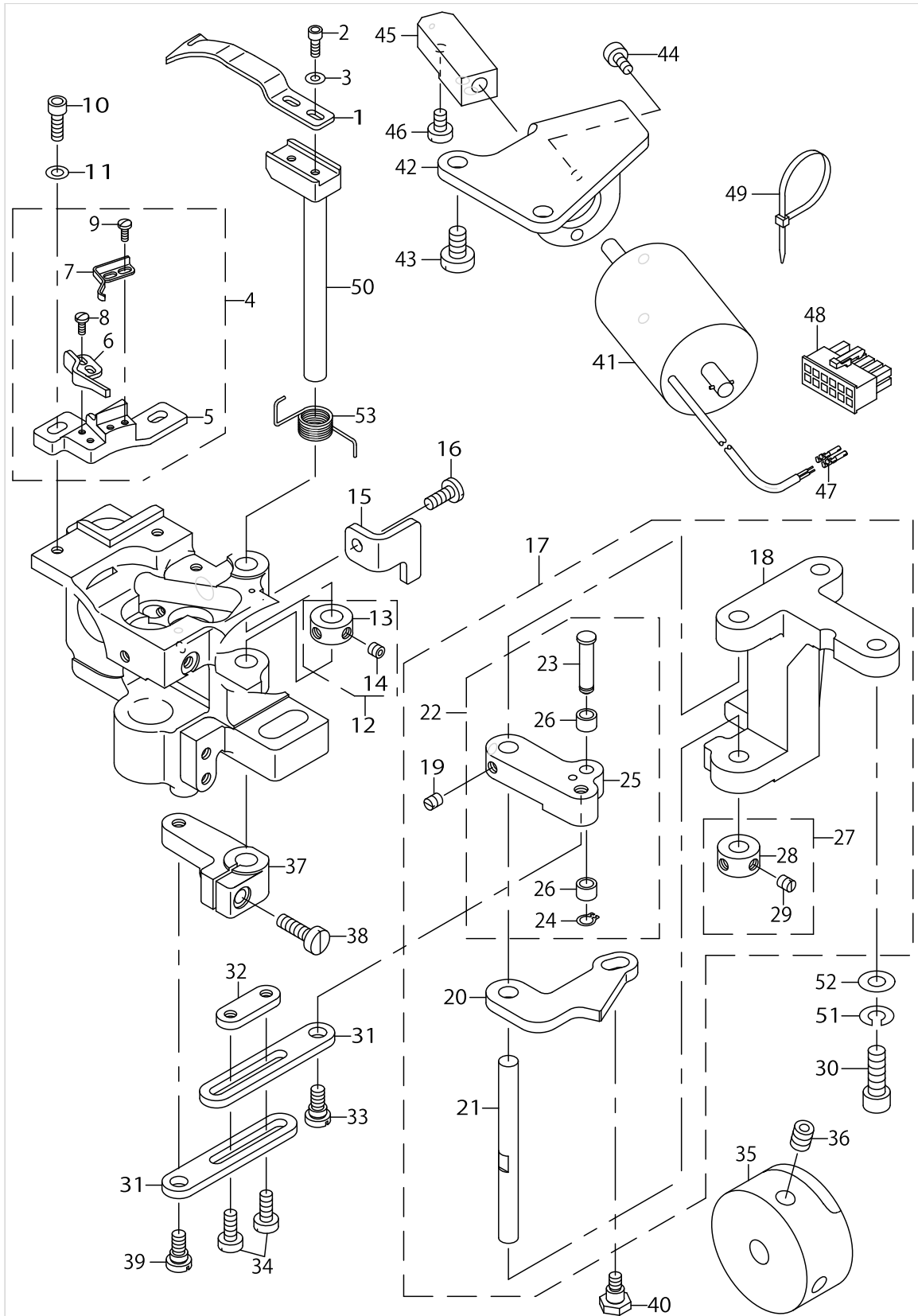
THREAD CUTTING COMPONENTS (FOR LU-1511N-7)



THREAD CUTTING COMPONENTS (FOR LU-1511N-7)

No.	Supply Code	Parts No.	Replacement	Parts name	Remarks	Choice	Step	Level	Cons	Qty	Rep. QTY
1		21389200		MOVING KNIFE						1	
2		SM6030802TP		SCREW M3X0.5 L=8						2	
3		WP0320501SC		WASHER M3						2	
4		21389556		FIXED KNIFE BASE (RIGHT) ASM.						1	
5		21389507		FIXED KNIFE BASE (RIGHT)				*		1	
6		21389309		FIXED KNIFE				*		1	
7		21389408		CLAMP SPRING				*		1	
8		SS7060610SP		SCREW 3/32-56 L=5.5				*		2	
9		SS7060610SP		SCREW 3/32-56 L=5.5				*		2	
10		SM6041202TP		SCREW M4X0.7 L=12						2	
11		WP0430800SC		WASHER M4						2	
12		40101351		THRUST COLLAR ASM.						1	
13		22917009		THRUST COLLAR				*		1	
14		SS8110422TP		SCREW 11/64-40 L=4				*		2	
15		21354501		THREAD CUTTING STOPPER (RIGHT)						1	
16	R	SS7111120SP	SS7111120TP	SCREW 11/64-40 L=10.5						1	1.00
17		21353750		VERTICAL FITTING BASIS ASM.						1	
18		21353701		VERTICAL FITTING BASIS				*		1	
19	R	SS8110510SP	SS8110520TP	SCREW 11/64-40 L=5				*		2	1.00
20		21354006		THREAD CUTTING DRIVING PLATE				*		1	
21		10116804		SHAFT				*		1	
22	R	40119279	21353750	THREAD CUTTING ROLLER ARM ASM.				*		1	1.00
23		40104369		CAM ROLLER SHAFT				*		1	
24		D2430555B00		SNAP RING				*		1	
25	R	40104368	21353750	THREAD CUTTING ROLLER ARM		A	LU	*		1	1.00
25	R	40104368	40038744	THREAD CUTTING ROLLER ARM		B	PLC	*		1	1.00
26		D2427555B00B		CAM ROLLER				*		2	
27		CS070081BSH		THRUST COLLAR ASM. D=7 W=8				*		1	
28		CS0700811SH		THRUST COLLAR D=7 W=8				*		1	
29	R	SS8110510SP	SS8110520TP	SCREW 11/64-40 L=5				*		2	1.00
30		SS6151812TP		SCREW 15/64-28 L=18						2	
31		21354105		CONNECTING PLATE						2	
32		21354204		STOPPING PLATE						1	
33		SD0640325SP		HINGE SCREW						1	
34		SS6111140SP		SCREW 11/64-40 L=11						2	
35		21389903		THREAD TRIMMER CAM						1	
36		SS8660612TP		SCREW 1/4-40 L=6						2	
37		21389705		ROCKING ARM (RIGHT)						1	
38		SS6121610TP		SCREW 3/16-28 L=15.5						1	
39		SD0640325SP		HINGE SCREW						1	
40		SD0640482SP		HINGE SCREW D= 6.35 H= 4.8						1	
41		21355102		THREAD CUTTING SOLENOID						1	
42		21354600		SOLENOID FITTING PLATE						1	
43		SS6151040SP		SCREW 15/64-28 L=10						2	
44		SM6040802TP		SCREW M4X0.7 L=8						2	

THREAD CUTTING COMPONENTS (FOR LU-1511N-7)

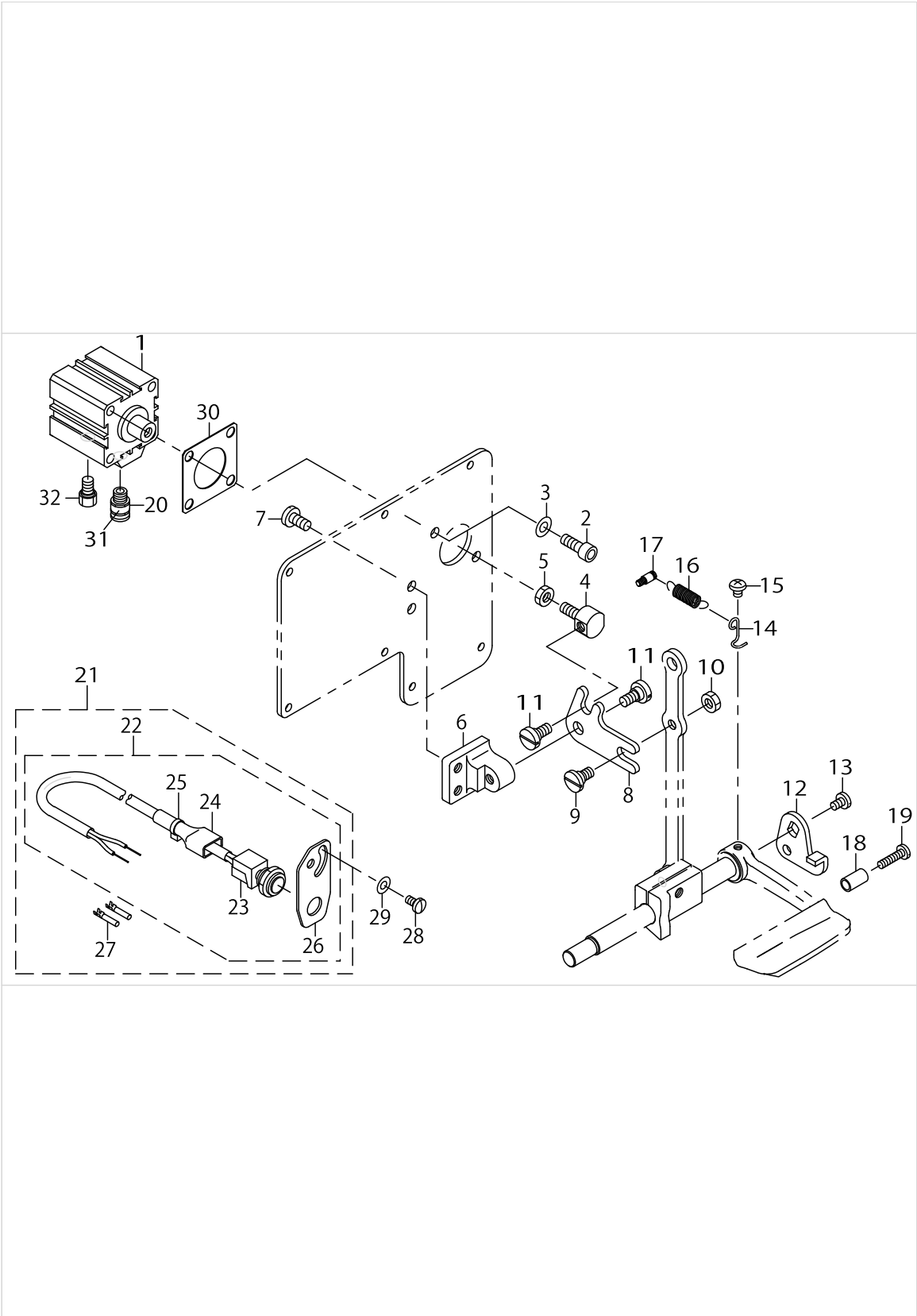


THREAD CUTTING COMPONENTS (FOR LU-1511N-7)

No.	Supply Code	Parts No.	Replacement	Parts name	Remarks	Choice	Step	Level	Cons	Qty	Rep. QTY
45		21354709		SOLENOID CONNECTING PLATE						1	
46		SS6110710TP		SCREW 11/64-40 L= 6.5						2	
47		HK03464000A		TERMINAL, FEMALE						1	
48		HK034610120		HOUSING 12P						1	
49		EA9500B0100		CABLE BAND						1	
50		21354907		MOVINGKNIFESHAF						1	
51		WS0610002KP		SPRING WASHER						2	
52		WP0621016SD		WASHER 6.2X13X1						2	
53		21390208		MAINTENANCE SPRING						1	



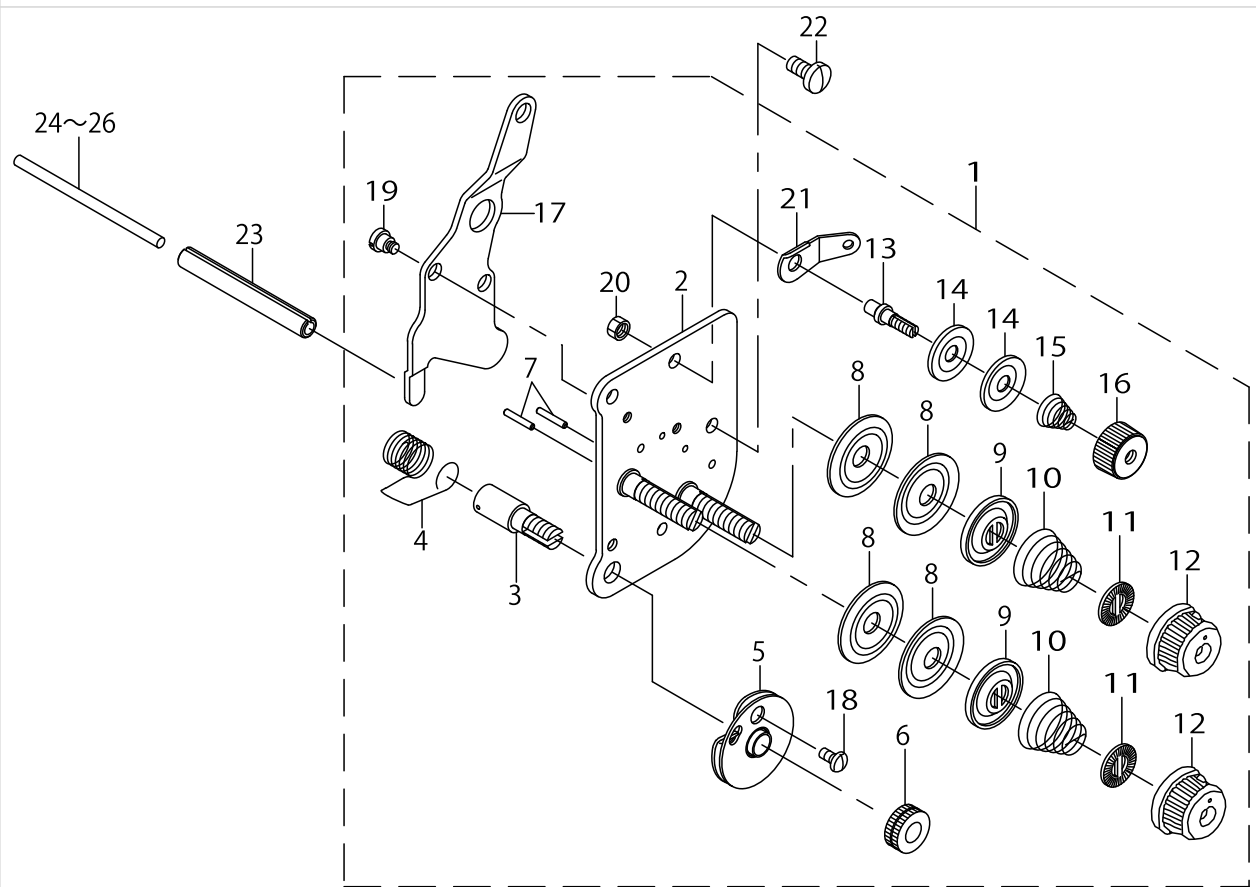
AUTOMATIC BACK COMPONENTS (FOR LU-1511N-7)



AUTOMATIC BACK COMPONENTS (FOR LU-1511N-7)

No.	Supply Code	Parts No.	Replacement	Parts name	Remarks	Choice	Step	Level	Cons	Qty	Rep. QTY
1		PA320150200		JIG CYLINDER						1	
2		SM6061602TP		SCREW M6 L=16						2	
3		WP0641601SD		WASHER M6						2	
4		21348602		CYLINDER CONNECTING SCREW						1	
5		NM6060003SC		NUT M6						1	
6		21348503		FITTING BASE						1	
7		SS7151210SP		SCREW15/64-28L=12						2	
8		21348701		BACKWARD FEED LINK						1	
9		SD0800402TP		HINGE SCREW D= 8 H= 4						1	
10		NS6150430SP		NUT 15/64-28						1	
11		SD0800352SP		HINGE SCREW D= 8 H= 3.5						2	
12		22656102		REVERSE FEED LINK, (1)						1	
13		SS7120760SP		SCREW 3/16-28L=7.0						1	
14		22656003		SPRINGSUSPENSION						1	
15		SS4120615SP		SCREW 3/16-28 L=6						1	
16		26226209		SPRING						1	
17		40023289		SPRINGSUSPENSION						1	
18		22952501		BACK LEVER STOPPER						1	
19	R	SS7111810SP	SS7111810TP	SCREW11/64-40L=18						1	1.00
20		PJ301065104		HALF UNION						1	
21		40056366		BT SWITCH C ASM.						1	
22		40056365		BT SWITCH B ASM.				*		1	
23		40056364		BT SWITCH A ASM.				*		1	
24		GTS01037000		CONNECTOR COVER				*		1	
25		EA9500B0100		CABLE BAND				*		1	
26	R	21388608	21388665	CABLE BAND				*		1	1.00
27		HK03464000A		TERMINAL, FEMALE				*		2	
28		SS7110840SP		WASHER 5X10.5X1						2	
29		WP0501016SD		WASHER 5X10.5X1						2	
30		21349105		CYLINDER PACKING						1	
31		HX002950000		WIRE MARK(1)						1	
32		PX015101000		MUFFLER						1	

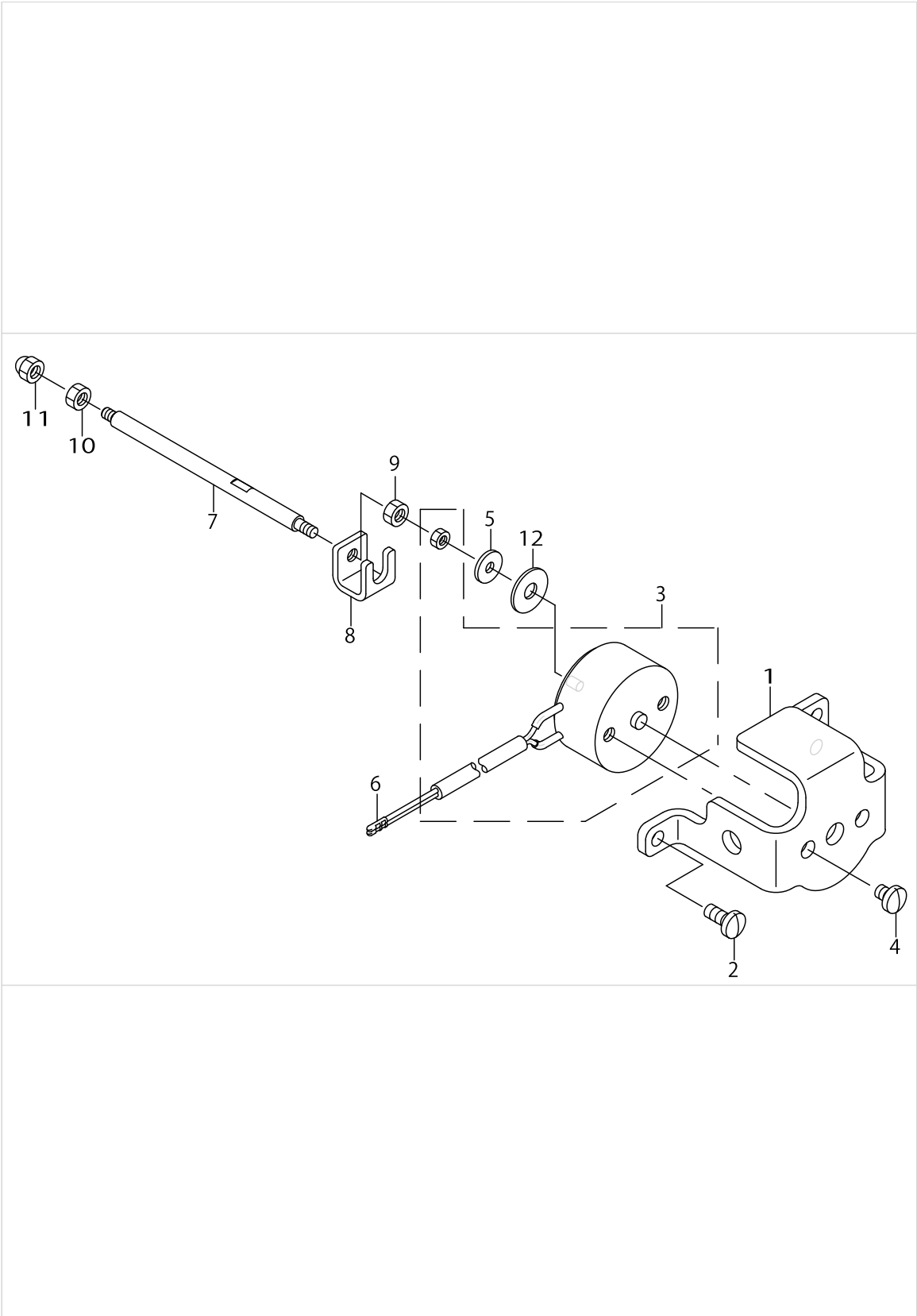
THREAD TENSION COMPONENTS



THREAD TENSION COMPONENTS

No.	Supply Code	Parts No.	Replacement	Parts name	Remarks	Choice	Step	Level	Cons	Qty	Rep. QTY
1		40103925		THREAD TENSION ASM.						1	
2		21441050		TENSION POST COMPL.				*		1	
3		10320109		SCREW STUD				*		1	
4		B3128520000		TENSION SPRING				*		1	
5		B31375270A0		TAKE-UP SPRING GUIDE ASM.				*		1	
6	R	B3125012000	22928808	THREAD TENSION NUT				*		1	1.00
7		22618201		TENSION RELEASE PIN, A				*		2	
8		13138201		THREAD TENSION DISK				*		4	
9		22617906		THREAD TENSION DISK PRESSER				*		2	
10		B3129526000		TENSIONSPRING(1.2)				*		2	
11		22921407		ROTATION STOPPER				*		2	
12		22921308		THREAD TENSION NUT				*		2	
13		10124204		THREAD TENSION POST, A				*		1	
14		10741106		FIRST THREAD TENSION PLATE				*		2	
15		22945505		THREAD TENSION SPRING				*		1	
16		22945703		THREAD TENSION NUT				*		1	
17		21441100		TENSION RELEASE PLATE				*		1	
18		SS4080620TP		SCREW 1/8-44 L=6				*		1	
19		SD0470281SP		HINGE SCREW D=4.7 H=2.8				*		2	
20		NS6110310SP		NUT 11/64-40				*		1	
21		D3162555B00		THREAD GUIDE				*		1	
22		SS7110910TP		SCREW 11/64-40 L= 8.5						2	
23		PS0600502KP		SPRING PIN						1	
24		21348206		TENSION RELEASE BAR	SELECTIVE PARTS					1	
25		10321107		TENSION RELEASE BAR	SELECTIVE PARTS					1	
26		23006406		TENSION RELEASE BAR						1	

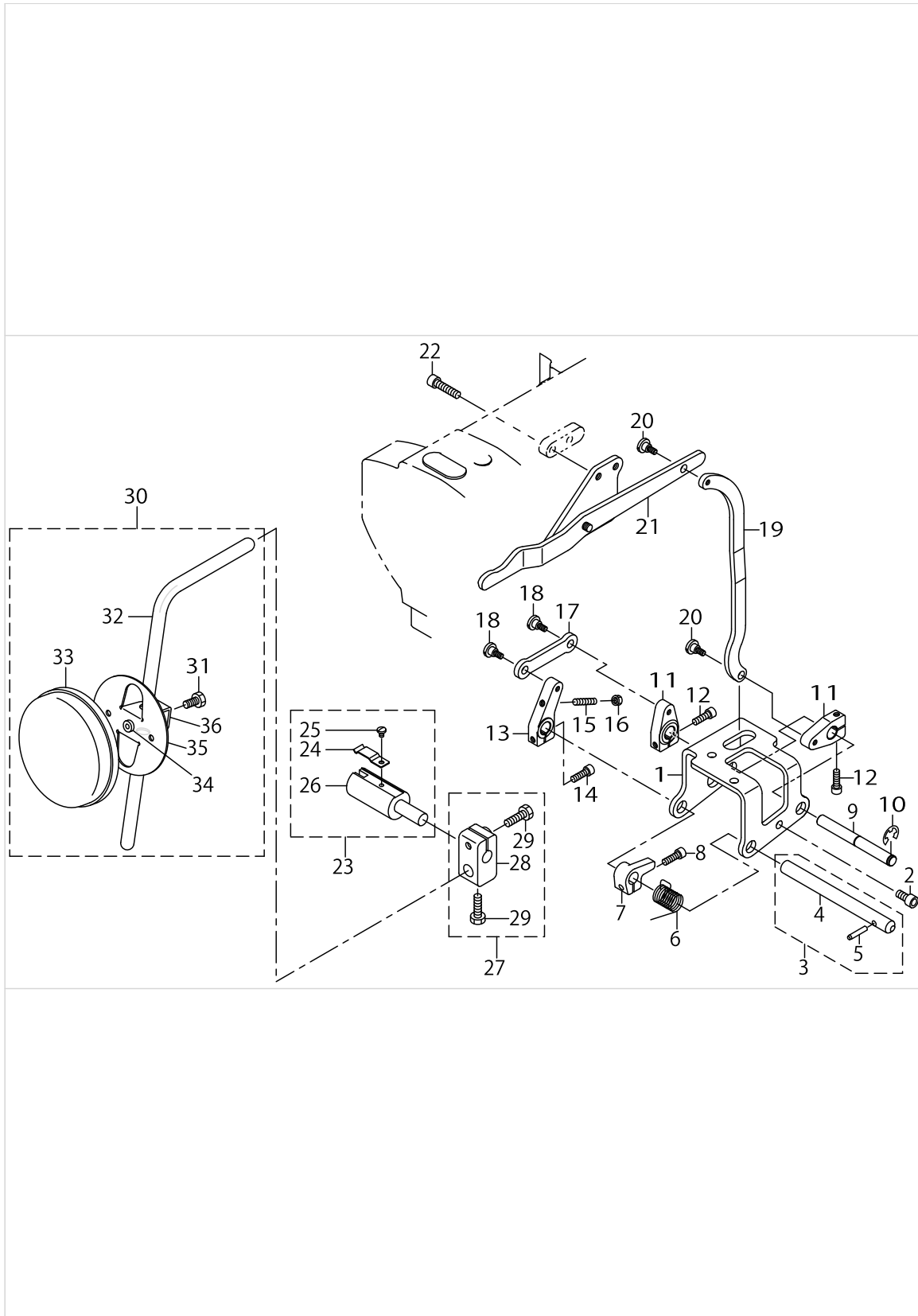
THREAD RELEASE COMPONENTS (FOR LU-1511N-7)



THREAD RELEASE COMPONENTS (FOR LU-1511N-7)

No.	Supply Code	Parts No.	Replacement	Parts name	Remarks	Choice	Step	Level	Cons	Qty	Rep. QTY
1		21441407		SOLENOID INSTALLING PLATE						1	
2		SS7110910TP		SCREW 11/64-40 L= 8.5						2	
3		21363106		TENSION RELEASE SOLENOID						1	
4		SS7110570SP		SCREW 11/64-40 L= 4.8						2	
5		40062388		WASHER						1	
6		HK03464000B		PIN CONTACT						2	
7		21441209		TENSION RELEASE BAR						1	
8		21441308		COUPLING						1	
9		NM6040001SN		NUT M4X0.7						1	
10		NM6040001SN		NUT M4X0.7						1	
11		NM7040062SB		NUT M4						1	
12		WP0501046SC		WASHER 5 X 13 X 1						1	

KNEE LIFTING COMPONENTS

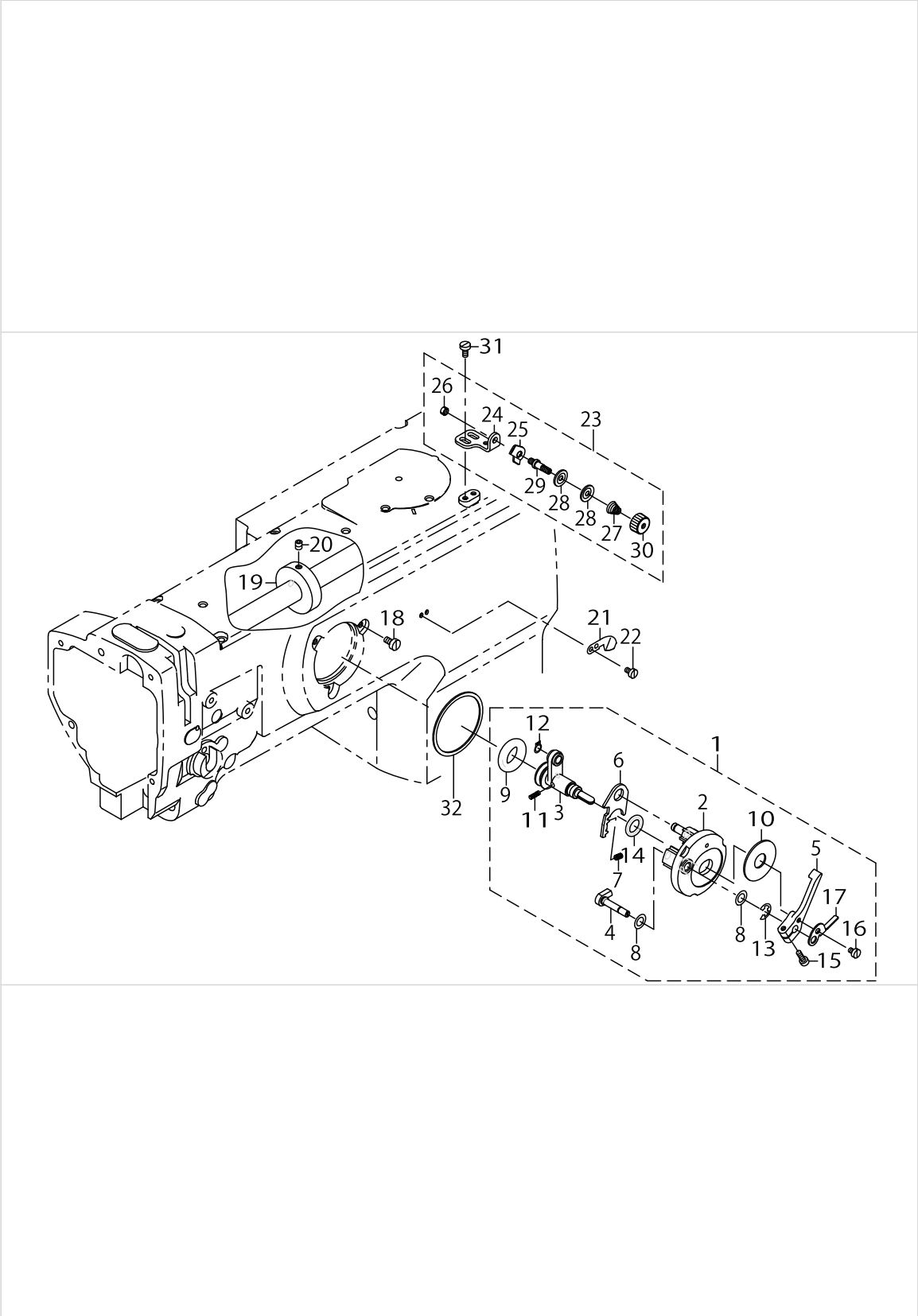


KNEE LIFTING COMPONENTS

No.	Supply Code	Parts No.	Replacement	Parts name	Remarks	Choice	Step	Level	Cons	Qty	Rep. QTY
1		21343207		KNEE LIFTER SHAFT BASIS						1	
2		SM6061202TP		SCREW M6 L=12						3	
3		21342555		KNEE LIFTER SHAFT A ASM.	FOR LU-1-509N,LU-1509NH					1	
4	R	21342506	21342555	KNEELIFTERSCHAFTA				*		1	1.00
5	R	21342605	21342555	KNEE LIFTER SHAFT PIN				*		1	1.00
6		21343702		KNEE LIFTER SHAFT A SPRING	FOR LU-1-509N,LU-1509NH					1	
7		21343801		KNEE LIFTER SPRING RACK	FOR LU-1-509N,LU-1509NH					1	
8		SM6051602TP		SCREW M5X0.8 L=16	FOR LU-1-509N,LU-1509NH					1	
9		21342704		KNEELIFTERSCHAFTB	FOR LU-1-509N,LU-1509NH					1	
10		RE0800000K0		E-SHAPED SNAP RING (8MM)	FOR LU-1-509N,LU-1509NH					1	
11		21343009		KNEELIFTERLEVERB	FOR LU-1-509N,LU-1509NH					2	
12		SM6052002TP		SCREW M5 L=20	FOR LU-1-509N,LU-1509NH					2	
13		21342803		KNEELIFTERLEVERA	FOR LU-1-509N,LU-1509NH					1	
14		SM6052002TP		SCREW M5 L=20	FOR LU-1-509N,LU-1509NH					1	
15		SM8052502TP		SCREW M5X0.8 L=25	FOR LU-1-509N,LU-1509NH					1	
16		NM6050001SD		NUT M5X0.8	FOR LU-1-509N,LU-1509NH					1	
17		21342902		KNEE LIFTER LINK	FOR LU-1-509N,LU-1509NH					1	
18		SD0700451TP		HINGE SCREW D=7 H=4.5	FOR LU-1-509N,LU-1509NH					2	
19		21343405		KNEE LIFTER CONNECTING PLATE	FOR LU-1-509N,LU-1509NH					1	
20		SD0700451TP		HINGE SCREW D=7 H=4.5	FOR LU-1-509N,LU-1509NH					2	
21		21343355		KNEE LIFTER LEVER ASM.	FOR LU-1-509N,LU-1509NH					1	
22		SM6062502TP		SCREW M6 L=25	FOR LU-1-509N,LU-1509NH					2	
23		22863252		KNEE LIFTER JOINT ASM.	FOR LU-1-509N,LU-1509NH					1	
24		B3428521000		PRESSER SPRING				*		1	
25		SS7090510SP		SCREW 9/64-40 L=4.6				*		1	
26	R	22863203	22863252	KNEE LIFTER JOINT				*		1	1.00
27		22932453		BRACKET ASM.	FOR LU-1-509N,LU-1509NH					1	
28	R	22932404	22932453	BRACKET				*		1	1.00
29		22934707		SCREW				*		2	
30		21343157		KNEE PRESS PLATE ASM.	FOR LU-1-509N,LU-1509NH					1	
31		SM9061203SE		SCREW M6 L=12				*		1	
32	R	21343108	21343157	KNEE PRESS LEVER				*		1	1.00
33		22934509		KNEE PAD PLATE COVER				*		1	
34		22934400		KNEE PAD PLATE RUBBER				*		1	
35		22934202		KNEE PAD PLATE				*		1	
36		22934301		KNEE PAD PLATE SUPPORT				*		1	



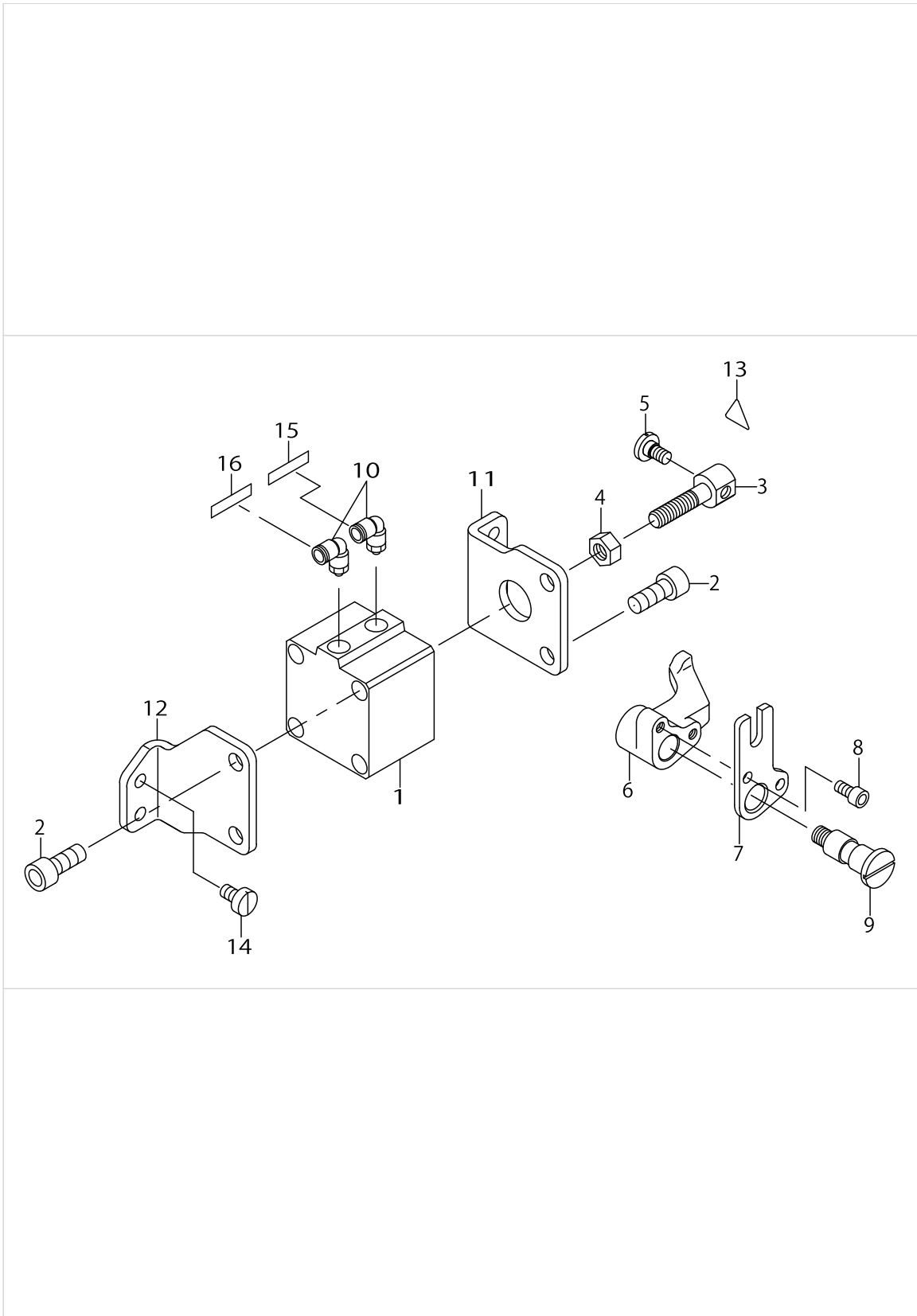
LOWER THREAD WINDER MECHANISM COMPONENTS



LOWER THREAD WINDER MECHANISM COMPONENTS

No.	Supply Code	Parts No.	Replacement	Parts name	Remarks	Choice	Step	Level	Cons	Qty	Rep. QTY
1		21357967		BOBBIN DEVICE ASM.						1	
2		22537658		BOBBIN FITTING BASIS COMPL.				*		1	
3		21357959		BOBIN SHAFT COMPL.				*		1	
4		22538151		BOBBIN CAM SHAFT COMPL.				*		1	
5		23636202		BOBBIN LEVER				*		1	
6		21356001		ADJUSTING PLATE				*		1	
7		B152989000CA		PRESSUR FOOT SPRING				*		1	
8		10618304		VERTICAL ROLLER WASHER				*		2	
9		21358205		RUBBER RING				*		1	
10		B3205210000		CUSHION				*		1	
11	R	B1148555000	22912109	SPRING				*		1	1.00
12		RC0560711KP		RETAINING RING				*		1	
13		RE0500000K0		E-RING				*		1	
14		RO092270200		RUBBER RING				*		1	
15		SS7091410SP		SCREW 9/64-40 L=13.5				*		1	
16		SS6090520SP		SCREW 9/64-40 L= 5.0				*		1	
17		14512503		BOBBIN ADJUSTING PLATE				*		1	
18		SS6110810TP		SCREW 11/64-40 L=8						3	
19		10704807		BOBBIN FRICTION WHEEL						1	
20		SM8050602TP		SCREW M5 L=6						2	
21		10502300		THREAD CUTTER						1	
22	R	SS6090620SP	SS6090620TP	SCREW 9/64-40 L=6						2	1.00
23		21355755		LOWER THREAD GUIDE ASM.						1	
24	R	21355706	21355755	FITTING BASE				*		1	1.00
25		D3162555B00		THREAD GUIDE				*		1	
26		NS6110310SP		NUT 11/64-40				*		1	
27		22945505		THREAD TENSION SPRING				*		1	
28		40113092		THREAD TENSION DISK				*		2	
29	R	21378708	21355755	THREAD TENSION POST				*		1	1.00
30		22945703		THREAD TENSION NUT				*		1	
31		SM6040800SP		SCREW						2	
32		22538706		PACKING						1	

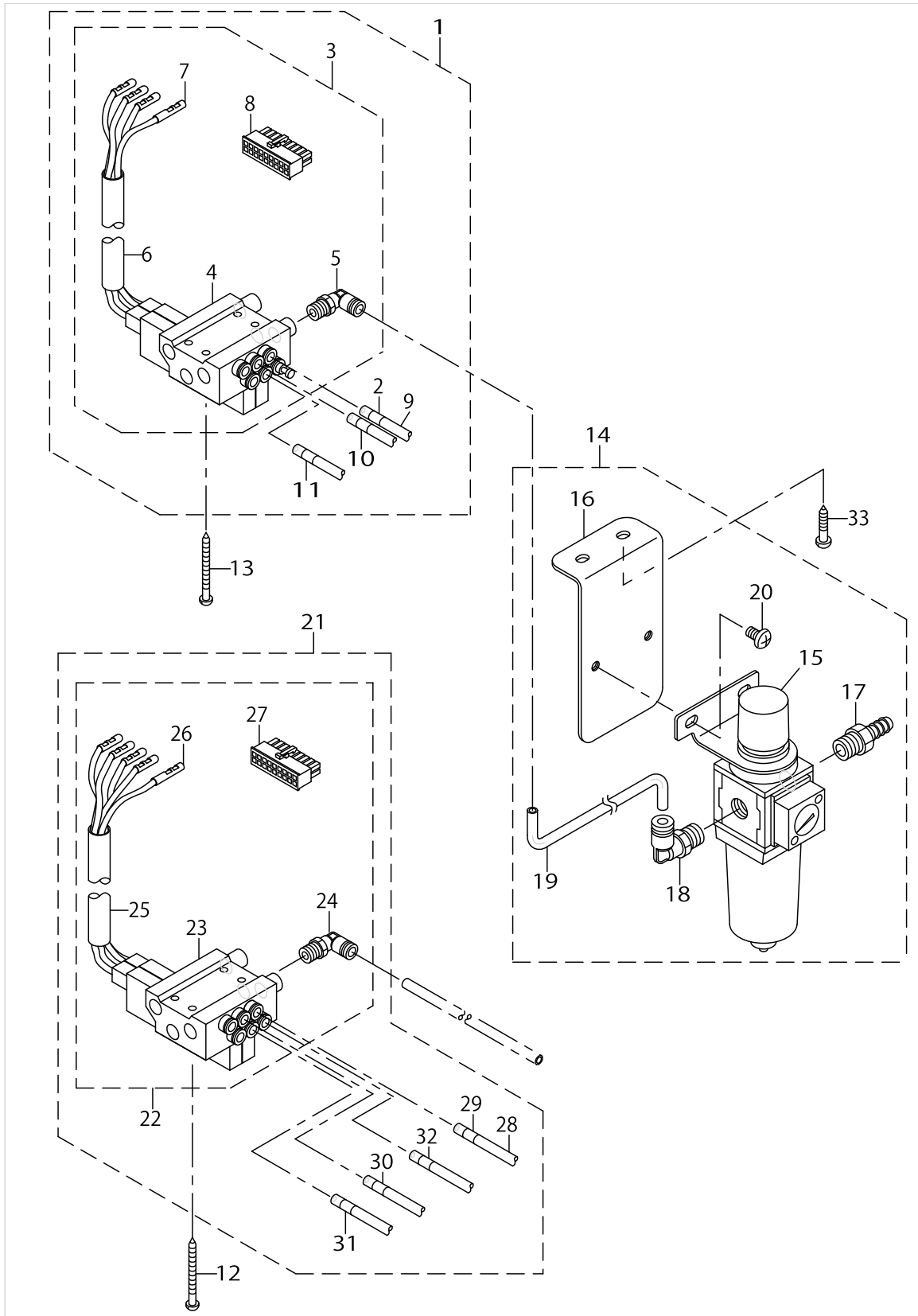
AUTOMATIC PRESSER LIFTING MECHANISM COMPONENTS (FOR LU-1511N-7)



AUTOMATIC PRESSER LIFTING MECHANISM COMPONENTS (FOR LU-1511N-7)

No.	Supply Code	Parts No.	Replacement	Parts name	Remarks	Choice	Step	Level	Cons	Qty	Rep. QTY
1		PA400150100		AIR CYLINDER						1	
2		SM6082002TP		SCREW M8 L=20						4	
3		21356506		CYLINDER CONNECTING SCREW						1	
4		NM6080001SE		NUT M8						1	
5		SD0720331SP		HINGE SCREW D= 7.24 H= 3.3						1	
6		21388509		PRESSER LIFTER LEVER A						1	
7		21356803		PRESSER LIFTER LEVER B						1	
8		SM6051002TP		SCREW M5X0.8 L=10						2	
9		21356704		SHAFT						1	
10		PJ304065101		ELBOW UNION 6XPT1/8						2	
11		21356308		CYLINDER STAY(FRONT)						1	
12		21356407		CYLINDER STAY(REAR)						1	
13		CM300200001		ATTENTION SEAL						1	
14		SS6151040SP		SCREW15/64-28L=10						4	
15		HX00295000A		WIRE MARK(2)						1	
16		HX00295000B		WIRE MARK(3)						1	

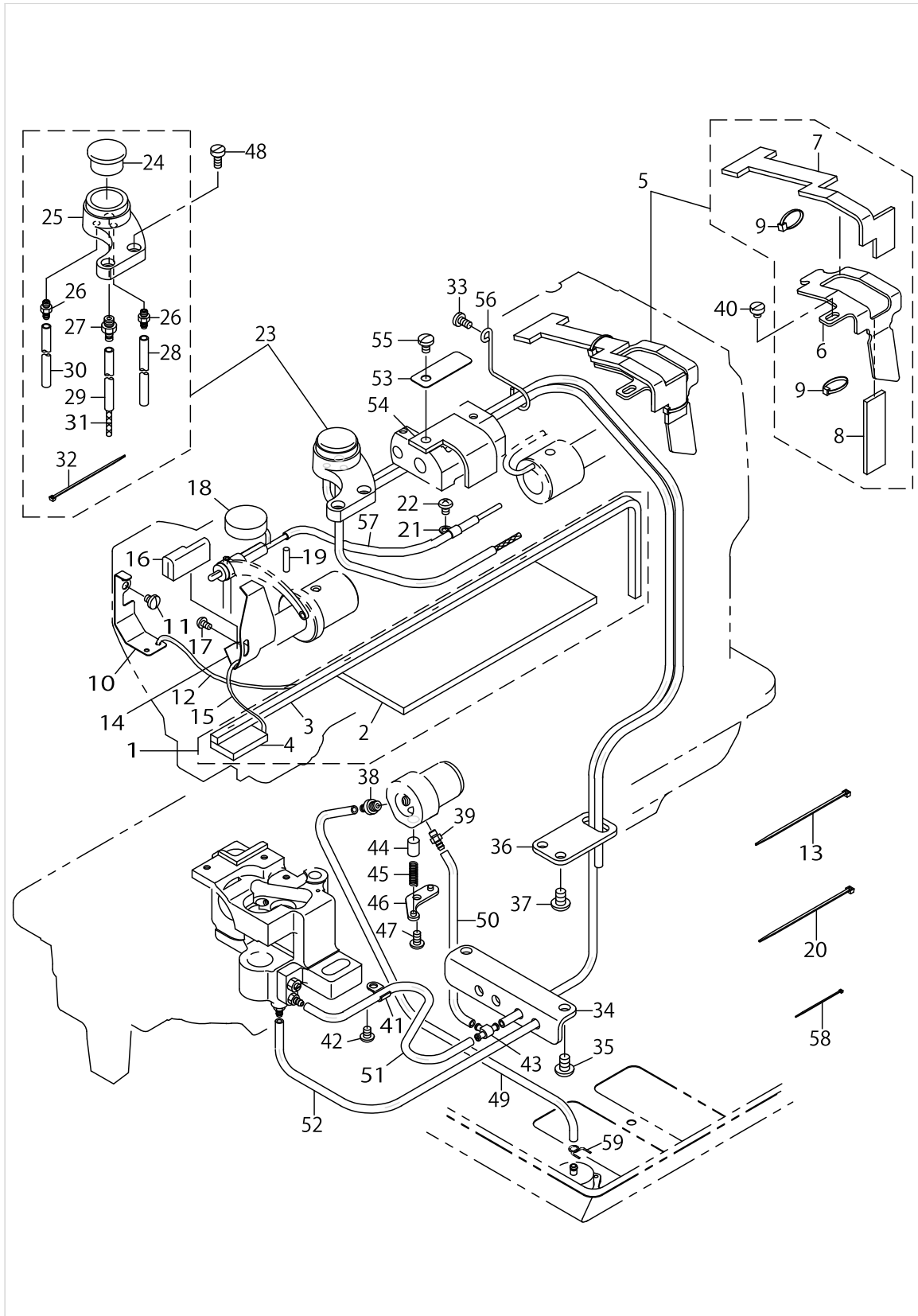
AIR MECHANISM COMPONENTS (FOR LU-1511N-7)



AIR MECHANISM COMPONENTS (FOR LU-1511N-7)

No.	Supply Code	Parts No.	Replacement	Parts name	Remarks	Choice	Step	Level	Cons	Qty	Rep. QTY
1		40102065		AIR APPARATUS B ASM.						1	
2		HX002950000		WIRE MARK(1)				*		4	
3		40102063		ELECTROMAGNETIC VALVE B ASM.				*		1	
4		GAKA2302B00		ELECTROMAGNETIC VALVE A				*		1	
5		GAK29010000		ELBOW B				*		1	
6		GAKA1503000		INSULATION TUBE				*		1	
7		HK03464000A		TERMINAL, FEMALE				*		4	
8		HK034610180		CONNECTOR				*		1	
9		BT0600401EB		TUBE				*		3	
10		HX00295000A		WIRE MARK(2)				*		4	
11		HX00295000B		WIRE MARK(3)				*		4	
12		SK3385001SE		WOOD SCREW D=3.8 L=50						4	
13		SK3385001SE		WOOD SCREW D=3.8 L=50						4	
14		40038722		FILTER REGULATAR ASM.						1	
15		PF0552170A0		FILTER REGULATOR				*		1	
16		40038723		FILTER REGULATOR MOUNTING PLATE				*		1	
17		40107618		NIPPLE				*		1	
18		GAK29009000		ELBOW				*		1	
19		BT0600401EB		TUBE				*		1	
20		SM4061001SB		SCREW M6 L=10				*		2	
21		40102066		AIR APPARATUS C ASM.	OPTIONAL PARTS					1	
22		40102064		ELECTROMAGNETIC VALVE C ASM.				*		1	
23	R	GAKA2302C00	GAKA2302CA0	ELECTROMAGNETIC VALVE C				*		1	1.00
24		GAK29010000		ELBOW B				*		1	
25		GAKA1503000		INSULATION TUBE				*		1	
26		HK03464000A		TERMINAL, FEMALE				*		5	
27		HK034610180		CONNECTOR				*		1	
28		BT0600401EB		TUBE				*		4	
29		HX002950000		WIRE MARK(1)				*		4	
30		HX00295000A		WIRE MARK(2)				*		4	
31		HX00295000B		WIRE MARK(3)				*		4	
32		HX00295000C		WIRE MARK(4)				*		4	
33		SK3482501SE		WOOD SCREW D=4.8 L=25						2	

LUBRICATION COMPONENTS (FOR LU-1511N-7)

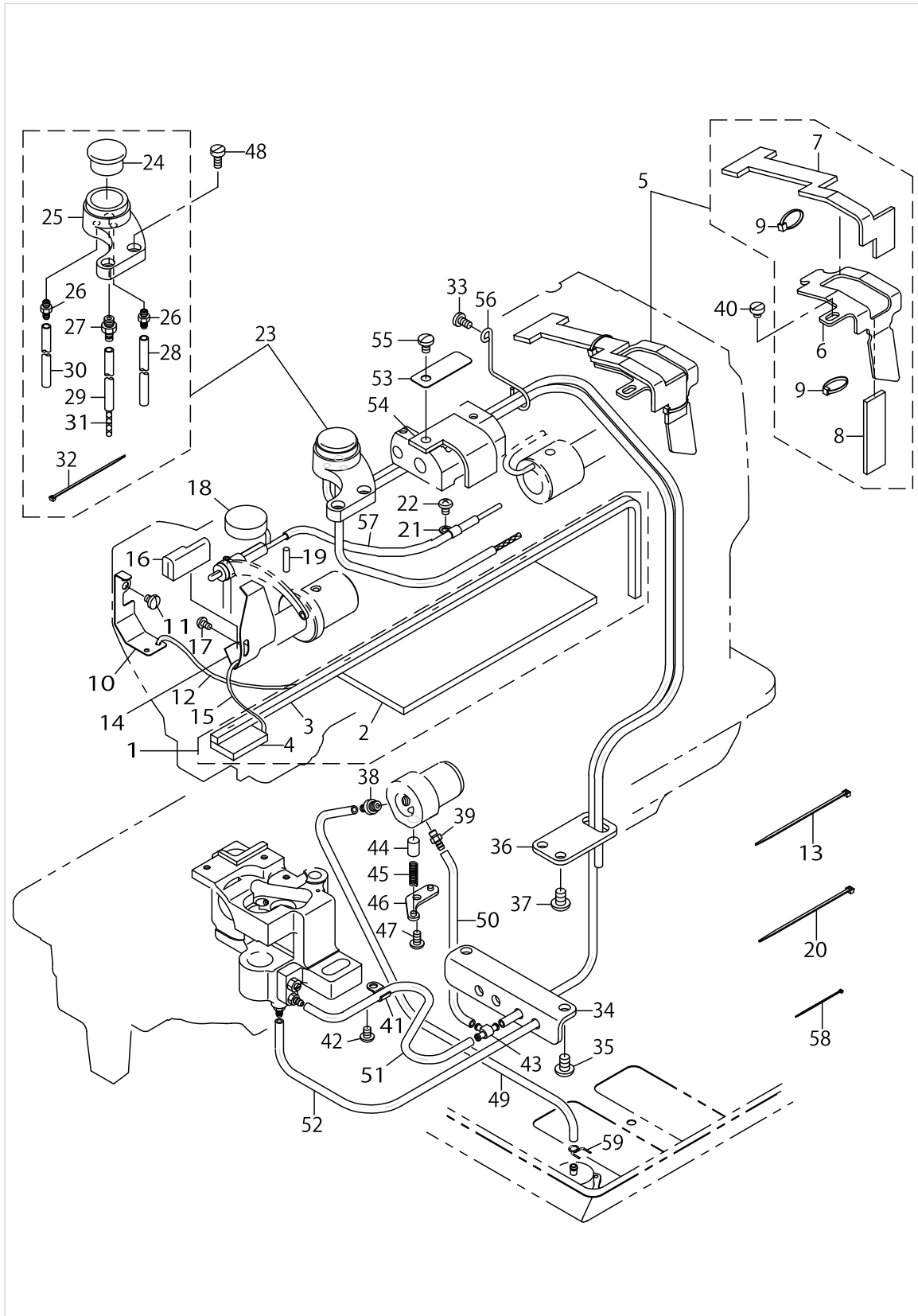


LUBRICATION COMPONENTS (FOR LU-1511N-7)

No.	Supply Code	Parts No.	Replacement	Parts name	Remarks	Choice	Step	Level	Cons	Qty	Rep. QTY
1		21345756		ARM ONCE THROU- GH OIL FELT ASM.						1	
2		21345707		ARM ONCE THROUGH FELT A				*		1	
3		21345806		FELT B				*		1	
4		21345905		FACE ONCE THROUGH FELT				*		1	
5		21346358		FELT SUPPORT ASM.						1	
6		21346309		FELT				*		1	
7		21346507		FEED CHANGE FELT				*		1	
8		21346408		FELT				*		1	
9		EA9500B0000		CLIP CV-70S				*		2	
10		21340708		UPPER FEED OIL BAR PLATE						1	
11		SS7110510SP		SCREW 11/64-40 L=5						1	
12		CQ202000000		OIL WICK						.2	
13		EA9500B0100		CABLE BAND						1	
14		21347000		TAKE-UP OIL PLATE						1	
15		CQ202000000		OIL WICK						.25	
16		21347208		TAKE-UP LUBRICATION FELT						1	
17		SS3090610SP		SCREW 9/64-40 L=6						1	
18		21346002		FELT						1	
19		B1412051000		FELT						1	
20		A407855000A		CLIP BAND						1	
21		B3538112000		OIL RETURN TUBE HOLDER						1	
22		SS4110615SP		SCREW 11/64-40 L=6						1	
23		40051503		ARM OIL TANK ASM.						1	
24		B3520586000		OIL SIGHT WINDOW				*		1	
25	R	21345608	21345657	ARM OIL TANK				*		1	1.00
26		SQ1110401MZ		CONNECTING SCREW				*		2	
27		SQ11150451MZ		CONNECTING SCREW				*		1	
28		23630007		TUBE				*		0.5	
29		23630007		TUBE				*		0.2	
30		23630007		TUBE				*		0.6	
31		CQ252000000		OIL WICK				*		0.7	
32		EA9500B0100		CABLE BAND				*		3	
33		SS7110830SP		SCREW 11/64-40 L= 7.5						1	
34		21345103		LUBRICATION BRACKET						1	
35		SS4150915SP		SCREW 15/64-28 L=9						2	
36		21345202		OIL PIPE STAY						1	
37		SS4150915SP		SCREW 15/64-28 L=9						2	
38		40064409		CONNECTION SCREW ASM.						1	
39		SQ1110401MZ		CONNECTING SCREW						1	
40		SS6110480SP		SCREW 11/64-40 L=4.3						1	
41		B3538112000		OIL RETURN TUBE HOLDER						1	
42		SS4110615SP		SCREW 11/64-40 L=6						1	
43		13765607		OIL CONNEC. ARM						1	
44		B3534155000		PLUNGER						1	
45		B1214038000		PLUNGER SPRING						1	
46		B3524552000		PLUNGER THRUST PLATE						1	



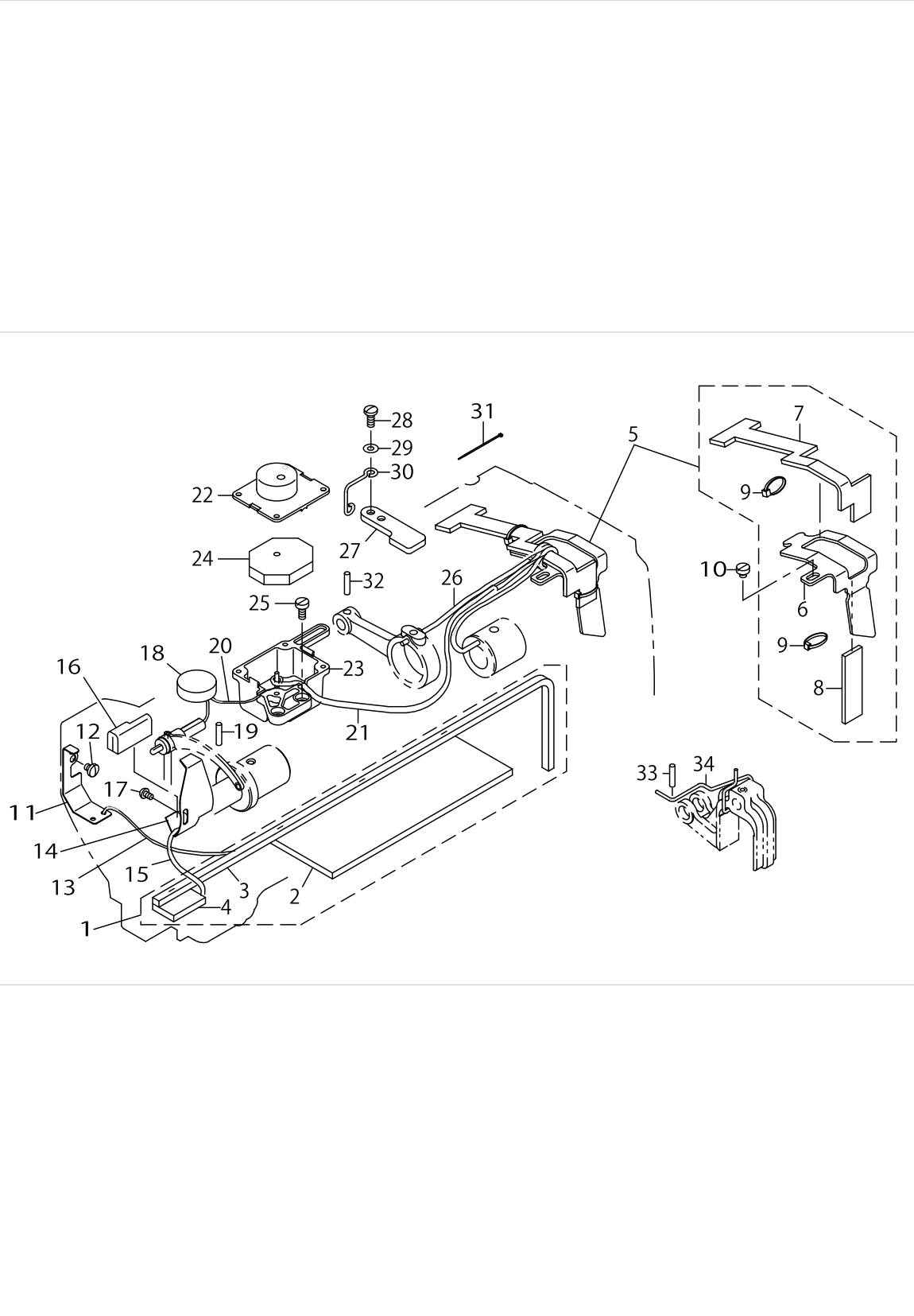
LUBRICATION COMPONENTS (FOR LU-1511N-7)



LUBRICATION COMPONENTS (FOR LU-1511N-7)

No.	Supply Code	Parts No.	Replacement	Parts name	Remarks	Choice	Step	Level	Cons	Qty	Rep. QTY
47		SS4110815SP		SCREW 11/64-40 L=8						1	
48		SS6111010TP		SCREW 11/64-40 L= 9.5						2	
49		23630007		TUBE						.36	
50		23630007		TUBE						.16	
51		23630007		TUBE						.22	
52		23630007		TUBE						.35	
53		21346101		LUBRICATION FELT PRESSER						1	
54		21346200		MUTUAL VERTICAL CHANGE FELT						1	
55		SS7120760SP		SCREW 3/16-28 L=7.0						1	
56		21346606		PIPE SUPPORT						1	
57		BT0600402EA		OIL TUBE						.12	
58		EA9500B0100		CABLE BAND						11	
59		10126803		OIL TUBE HOLDER						1	

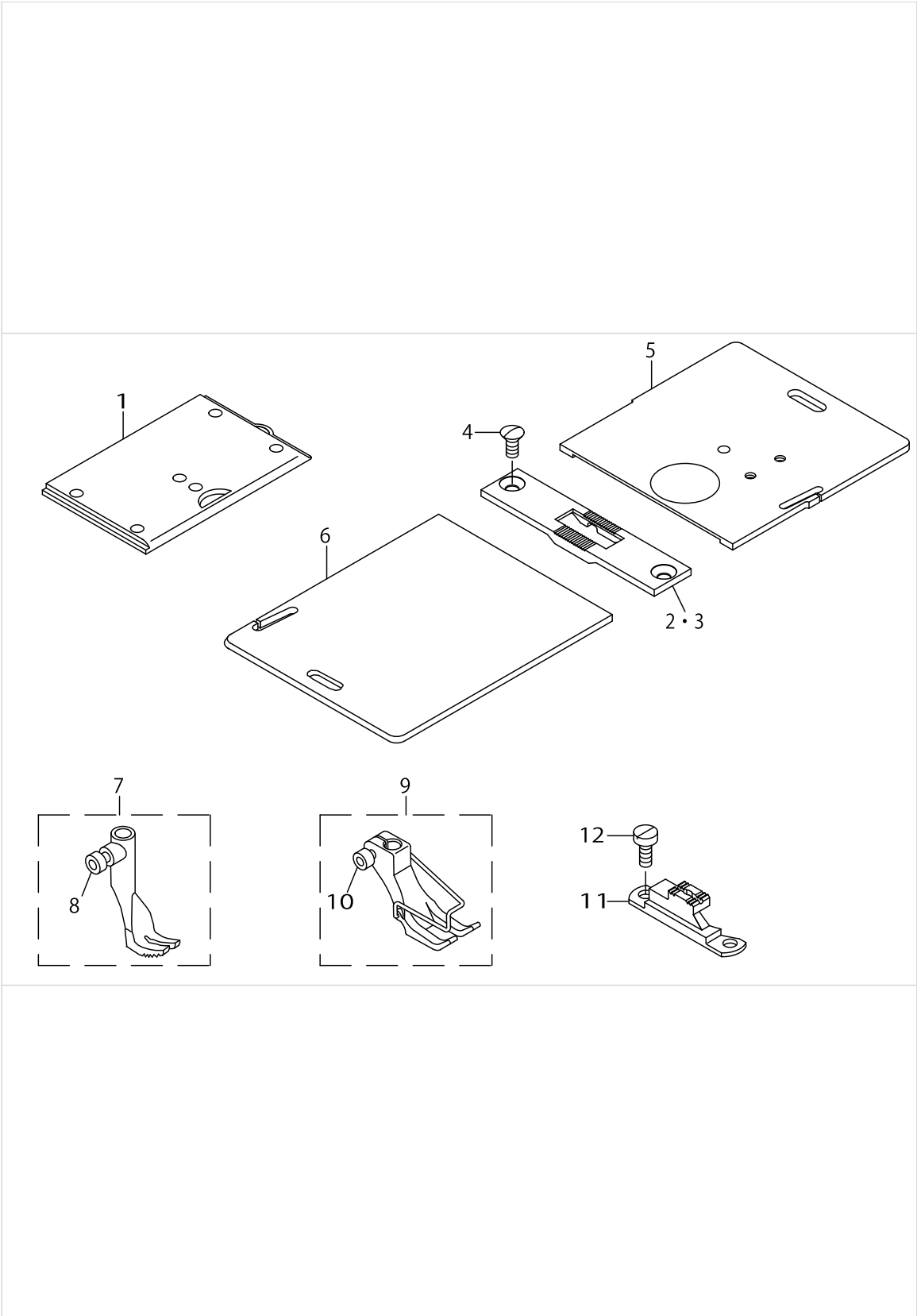
LUBRICATION COMPONENTS (FOR LU-1509N,LU-1509NH)



LUBRICATION COMPONENTS (FOR LU-1509N,LU-1509NH)

No.	Supply Code	Parts No.	Replacement	Parts name	Remarks	Choice	Step	Level	Cons	Qty	Rep. QTY
1		21345756		ARM ONCE THROU- GH OIL FELT ASM.						1	
2		21345707		ARM ONCE THROUGH FELT A				*		1	
3		21345806		ARM ONCE THROUGH FELT B				*		1	
4		21345905		FACE ONCE THROUGH FELT				*		1	
5		21346358		FELT SUPPORT ASM.						1	
6		21346309		FELT SUPPORT				*		1	
7		21346507		FEED CHANGE FELT				*		1	
8		21346408		FELT				*		1	
9		EA9500B0000		CLIP CV-70S				*		2	
10		SS6110480SP		SCREW 11/64-40 L=4.3						1	
11		21340708		UPPER FEED OIL BAR PLATE						1	
12		SS7110510SP		SCREW 11/64-40 L=5						1	
13		CQ202000000		OIL WICK						.2	
14		B1140051000		TAKE-UP OIL SPLASHER						1	
15		CQ202000000		OIL WICK						.25	
16		21347208		TAKE-UP LUBRICATION FELT						1	
17		SS3090610SP		SCREW 9/64-40 L=6						1	
18		21346002		FELT						1	
19		B1412051000		FELT						1	
20		CQ252000000		OIL WICK						.3	
21		BT0500300EA		OIL TUBE						.25	
22		21407507		OIL TANK A						1	
23		21407606		OIL TANK B						1	
24		21407705		FELT						2	
25		SS6111010TP		SCREW 11/64-40 L= 9.5						2	
26		CQ202000000		OIL WICK						.2	
27		21339700		UPPER FEED STOPPER PLATE (B)						1	
28		SS7111120TP		SCREW						2	
29		WP0450801SD		WASHER 4.5X10X0.8						1	
30		22620504		OIL WICK HOLDER						1	
31		EA9500B0100		CABLE BAND						1	
32		PS0500202KP		SPRING PIN 5X20						1	
33		B1412051000		FELT	FOR LU-1509NH					1	
34		CQ202000000		OIL WICK	FOR LU-1509NH					.21	

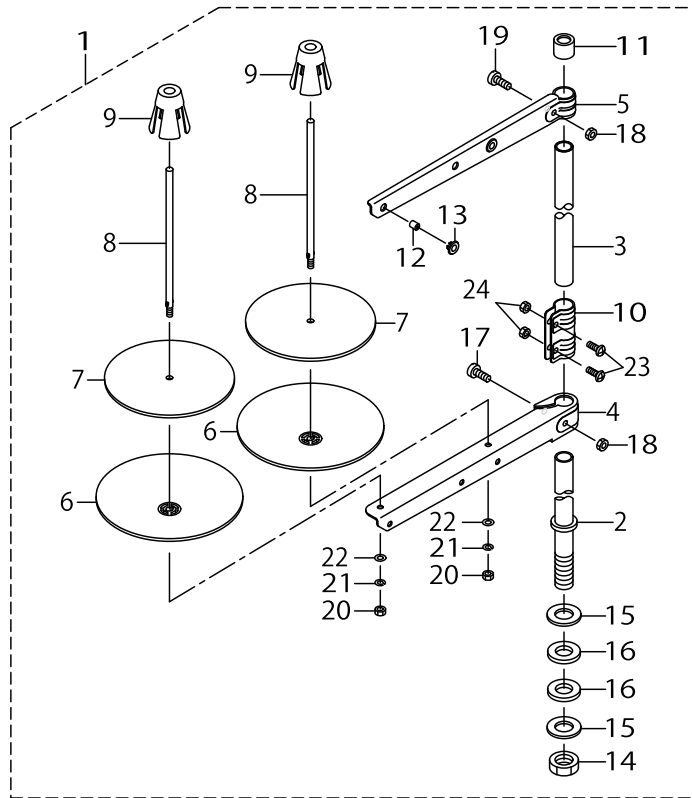
GAUGE COMPONENTS



GAUGE COMPONENTS

No.	Supply Code	Parts No.	Replacement	Parts name	Remarks	Choice	Step	Level	Cons	Qty	Rep. QTY
1		10701654		SLIDE PLATE ASM.						1	
2		10701704		THROAT PLATE						1	
3		21452503		THROAT PLATE	FOR LU-1509NH					1	
4		SS2110920TP		SCREW 11/64-40 L=8.5						2	
5		10753150		SLIDER PLATE ASM., RIGHT						1	
6		10701902		SLIDE PLATE ,LEFT						1	
7		10711653		FEED FOOT ASM.						1	
8		SM6040552TP		SCREW M4 L=4.5				*		1	
9		10758456		PRESSER FOOT ASM.						1	
10		SM6040802TP		SCREW M4X0.7 L=8				*		1	
11		21452404		FEED DOG						1	
12	R	SS6111010SP	SS6111010TP	SCREW 11/64-40 L= 9.5						2	1.00

# THREAD STAND COMPONENTS

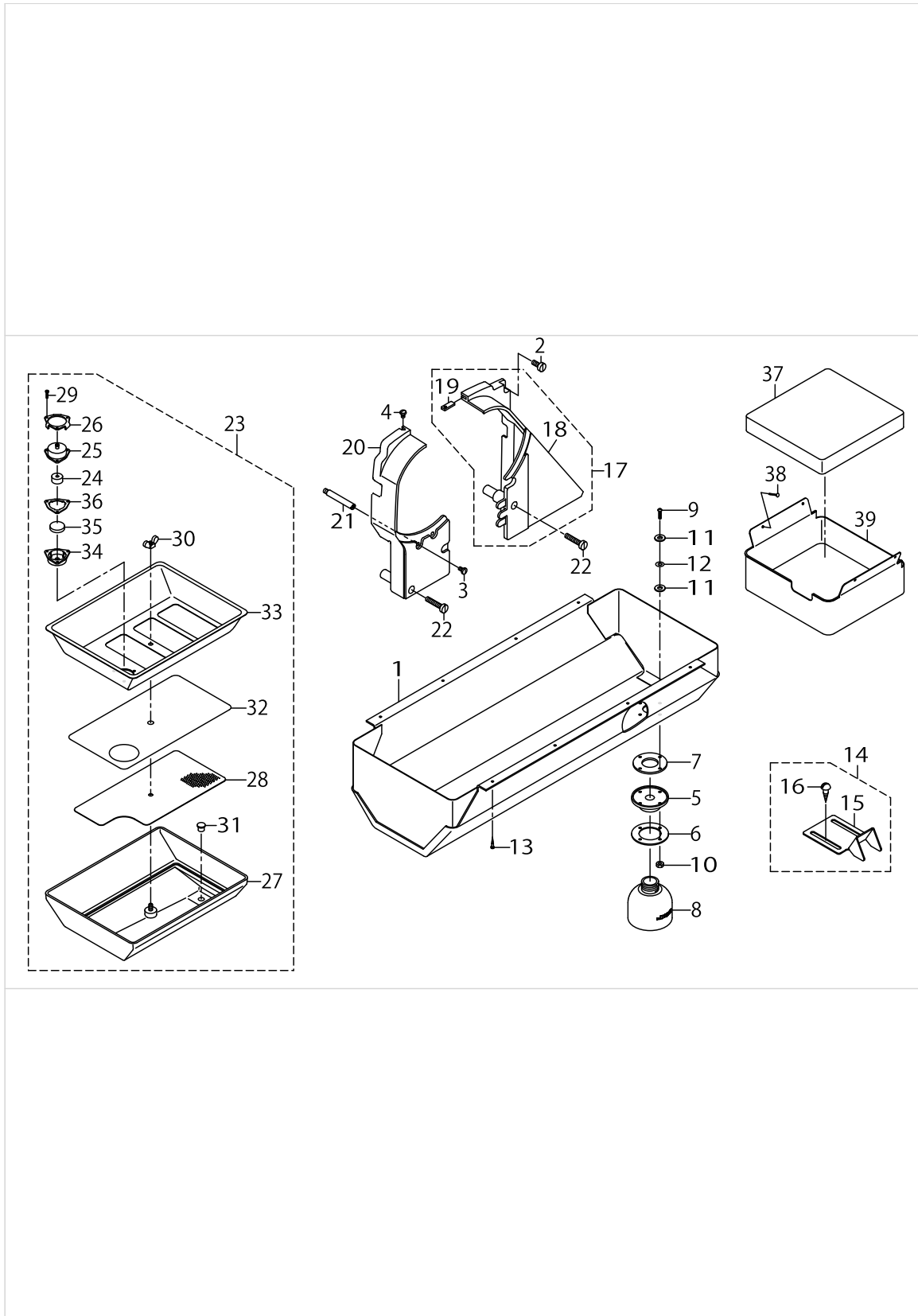


THREAD STAND COMPONENTS

No.	Supply Code	Parts No.	Replacement	Parts name	Remarks	Choice	Step	Level	Cons	Qty	Rep. QTY
1		40096354		THREAD STAND ASM.						1	
2		40085784		SPOOL REST ROD LOWER				*		1	
3		40085785		SPOOL REST ROD UPPER				*		1	
4		40085786		SPOOL REST ARM LOWER				*		1	
5		40085787		SPOOL REST ARM UPPER				*		1	
6		40085788		SPOOL REST				*		2	
7		40085789		SPOOL REST CUSHION				*		2	
8		40085790		SPOOL PIN				*		2	
9		40085791		SPOOL RETAINER				*		2	
10		40085792		SPOOL REST ROD JOINT				*		1	
11		40085793		SPOOL REST ROD RUBBER CAP				*		1	
12		40085794		THREAD GUIDE				*		2	
13		40085795		THREAD GUIDE BUSHING				*		2	
14		40096325		SPOOL REST ROD NUT				*		1	
15		WP1612616SE		WASHER 16X30X2.6				*		2	
16		40085796		SPOOL REST ROD RUBBER CUSHION				*		2	
17		40096326		SPOOL REST ARM LOWER SCREW				*		1	
18		NM6050001SE		NUT M5				*		2	
19	R	40096327	SM4053001SE	SPOOL REST ARM UPPER SCREW				*		1	1.00
20		NM6050001SE		NUT M5				*		2	
21		WS0510002KN		SPRING WASHER M5				*		2	
22		WP0531001SC		WASHER M5				*		2	
23		SM4051405SE		SCREW M5 L=14				*		2	
24		NM6050001SE		NUT M5				*		2	



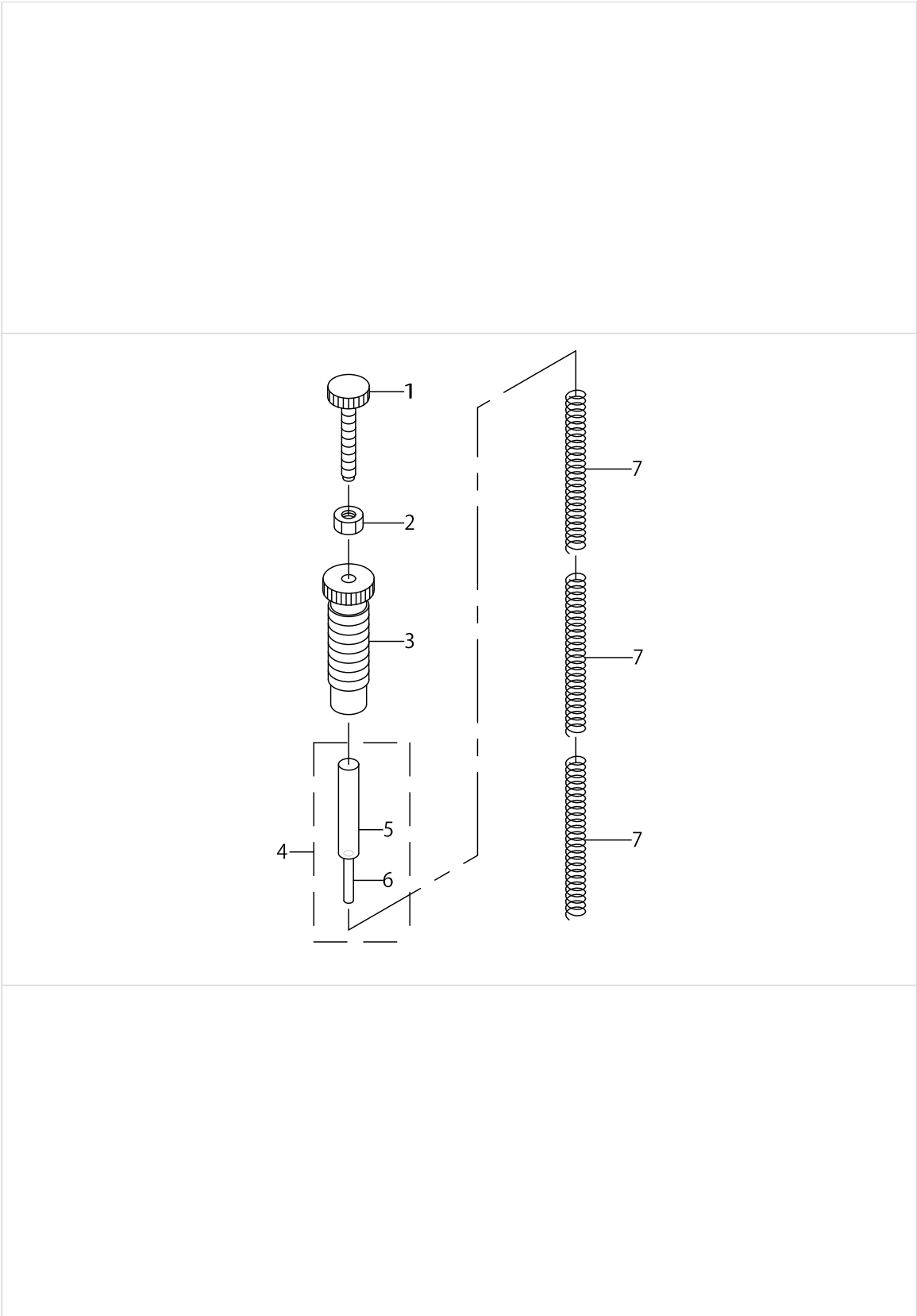
BELT COVER & OIL RESERVOIR COMPONENTS



BELT COVER & OIL RESERVOIR COMPONENTS

No.	Supply Code	Parts No.	Replacement	Parts name	Remarks	Choice	Step	Level	Cons	Qty	Rep. QTY
1		21351457		OIL RESERVOIR ASM.						1	
2		SS6151440SP		SCREW15/64-28L=14						1	
3		SS7110840SP		SCREW 11/64-40 L=7.8						1	
4		SS5110740TP		SCREW 11/64-40 L= 6.5						1	
5		40025299		OIL POT JOINT						1	
6		21379003		OIL MANAGEMENT WASHER						1	
7		B8112220000		OIL SEAL						1	
8		40025300		OIL POT						1	
9		SM3031401SE		SCREW M3X0.5 L=14						4	
10		NM6030001SC		NUT M3						4	
11		10748101		OIL REMOVING SET- SCREW PACKING						8	
12		WP0320501SC		WASHER M3						4	
13		SK3241601SC		WOOD SCREW D=2.4 L=16						8	
14		10755254		BELT COVER C ASM. (FOR JE)						1	
15		10755205		BELT COVER C(JE)				*		1	
16	R	SK3482500SC	SK3482501SE	WOOD SCREW D=4.8 L=25				*		2	1.00
17		21351150		BELT COVER ASM. (RIGHT)						1	
18	R	21351101	21351150	BELT COVER (RIGHT)				*		1	1.00
19		21351002		BELT COVER AUXILIARY PLATE				*		1	
20		21351200		BELT COVER (LEFT)						1	
21		D8232241E00		BELT COVER SUPPORT A						1	
22		SS6153040SP		SCREW15/64-28L=30						2	
23		21345350		OIL TANK ASM.	FOR WITH THREAD TRIMMER					1	
24		10727303		FILTER				*		1	
25		10727204		FILTER CAP				*		1	
26		10753002		FILTER PLATE				*		1	
27		21345301		OIL TANK				*		1	
28		21346804		COVER(LOWER)				*		1	
29		SM6021000TP		SCREW				*		3	
30		NM9050001SC		WING NUT M5X0.8				*		1	
31		TA0800704R0		RUBBER PLUG				*		1	
32		21346903		FILTER				*		1	
33		21346705		COVER(REAR)				*		1	
34		21345509		FILTER CASE				*		1	
35		B8228125000		OIL RESERVOIR MAGNET				*		1	
36		10739209		FILTER PACKING				*		1	
37		B1841563000		OIL DRIP FELT	FOR WITH- OUT THREE- AD TRIMMER					1	
38		10539906		SET NAIL	FOR WITH- OUT THREE- AD TRIMMER					4	
39		B1839563000		OIL RECEIVING COVER	FOR WITH- OUT THREE- AD TRIMMER					1	

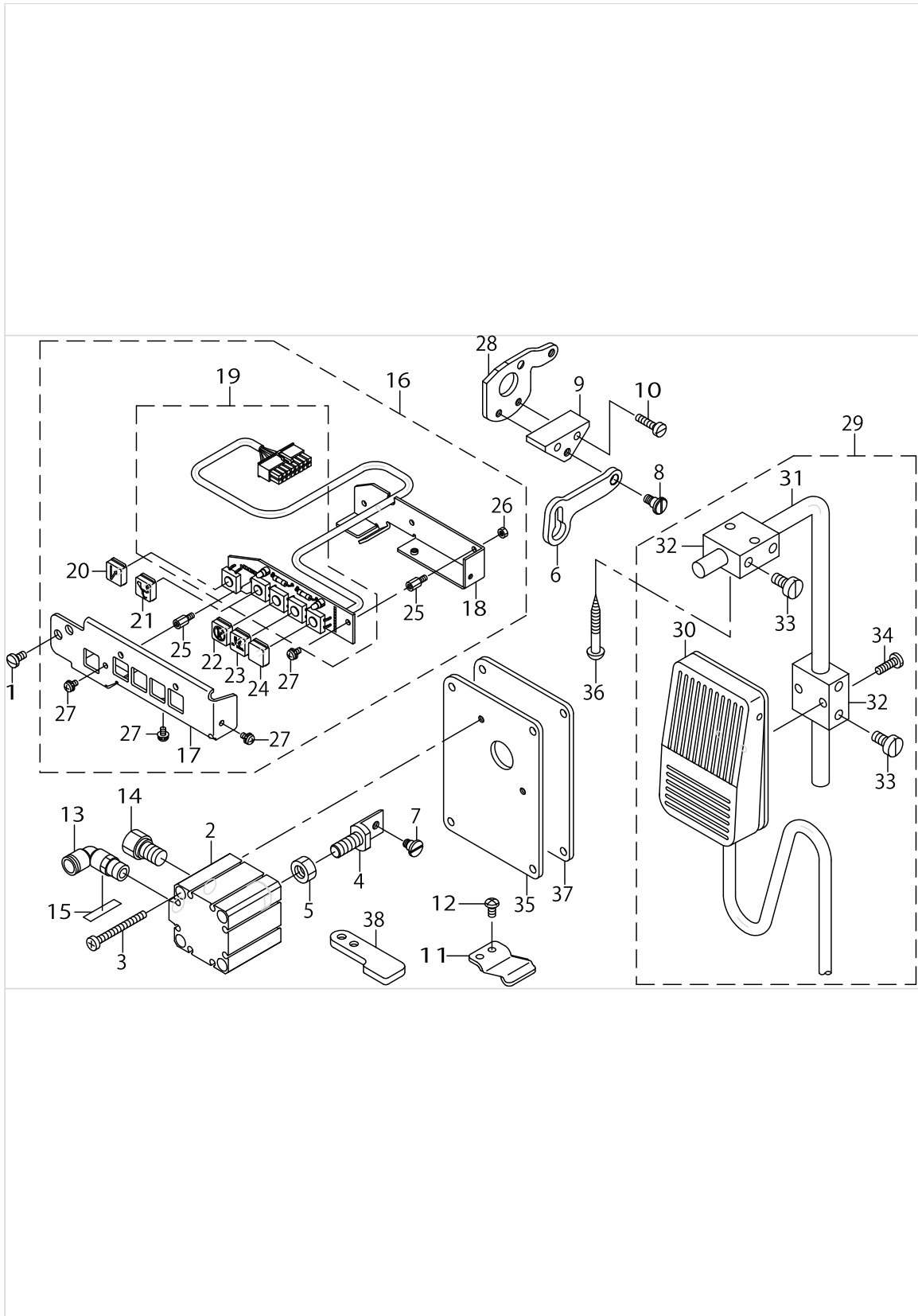
OPTIONAL PARTS (ADDITIONAL SPRING FOR PRESSER BAR) COMPONENTS



OPTIONAL PARTS (ADDITIONAL SPRING FOR PRESSER BAR) COMPONENTS

No.	Supply Code	Parts No.	Replacement	Parts name	Remarks	Choice	Step	Level	Cons	Qty	Rep. QTY
1		21006507		ADJUST SCREW B						1	
2		NS6110530SP		NUT 11/64-40						1	
3		21006408		ADJUST SCREW A						1	
4		40072709		SPRING SUPPORT SHAFT ASM.						1	
5		40072708		SPRING SUPPORT SHAFT				*		1	
6		PS0300242K0		SPRING PIN 3.0X24				*		1	
7		21006002		ADJUST SPRING B						3	

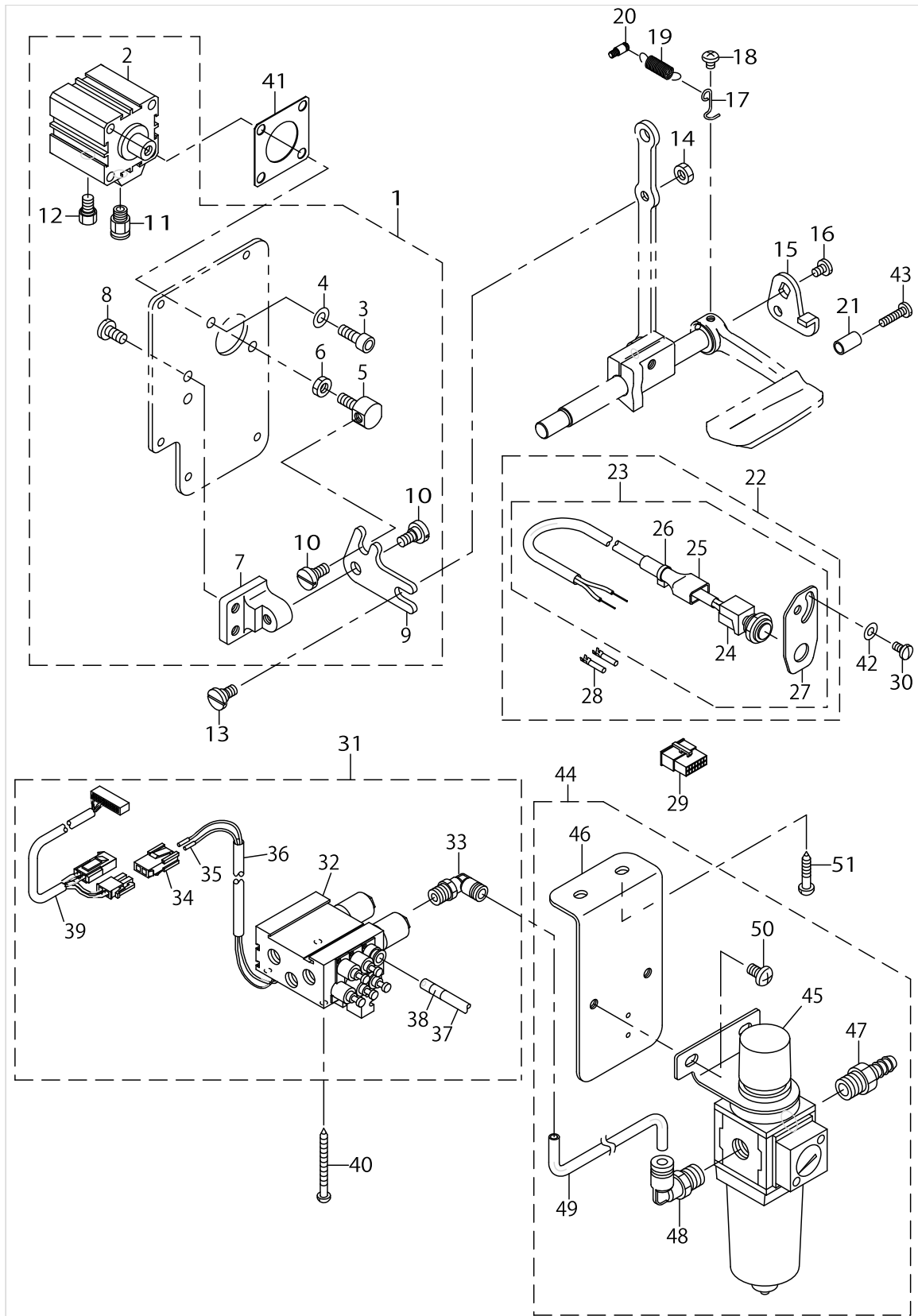
DL MECHANISM COMPONENTS (FOR LU-1511N-7 OPTIONAL PARTS)



DL MECHANISM COMPONENTS (FOR LU-1511N-7 OPTIONAL PARTS)

No.	Supply Code	Parts No.	Replacement	Parts name	Remarks	Choice	Step	Level	Cons	Qty	Rep. QTY
1		SS7110840SP		SCREW 11/64-40 L=7.8						2	
2		PA320200100		JIG CYLINDER						1	
3		SM6044002TP		SCREW						2	
4		21438403		CYLYNDER CONNECTING SCREW						1	
5		NM6080721SE		NUT M8						1	
6		21438502		MUTUAL VERTICAL LINK						1	
7		SD0600403TP		HINGE SCREW						1	
8		SD0600454TP		SHOULDER SCREW						1	
9		21438601		MUTUAL VERTICAL LINK SPACER						1	
10		SS6111610SP		SCREW11/64-40L=16						2	
11		21438700		MUTUAL VERTICAL LINK SUPPORT						1	
12		SS4110815SP		SCREW 11/64-40 L=8						2	
13		PJ304065101		ELBOW UNION 6XPT1/8						1	
14		PX015101000		MUFFLER						1	
15		HX00295000C		WIRE MARK(4)						1	
16		40102062		5RANGE SWITCH ASM.						1	
17		21442603		SWITCH COVER				*		1	
18		21442702		SWITCH CIRCUIT FITTING BASE				*		1	
19		40102061		5RANGE SWITCH SUB ASM.				*		1	
20		21442900		KEY TOP A				*		1	
21		21443007		KEY TOP B				*		1	
22		21443106		KEY TOP C				*		1	
23		21443205		KEY TOP D				*		1	
24		21443809		KEY TOP F				*		1	
25		HX00354000N		SPACER				*		4	
26		NM6030001SC		NUT M3				*		3	
27		SL4030631SC		SCREW M3X6				*		4	
28		21438106		STOPPER PLATE B						1	
29		40025036		KNEE SWITCH ASM.						1	
30		40025035		KNEE SWITCH ASM.				*		1	
31		MAT80231T00		DRIVING BAR, T002				*		1	
32		MAT80230T00		KNEE SWITCH SUPPORT BASE				*		2	
33		SS6151220SP		SCREW 15/64-28 L=11.5				*		4	
34	R	SS7111410SP	SS7111410TP	SCREW11/64-40L=14				*		2	1.00
35		21437207		WINDOW PLATE F						1	
36	R	SK3514000SC	SK3514001SE	WOOD SCREW D=5.1 L=40						2	1.00
37		21437306		WINDOW PLATE E PACKING						1	
38		21438205		UPPER FEED STOPPER PLATE						1	

AUTOMATIC BACK COMPONENTS (OPTIONAL PARTS)

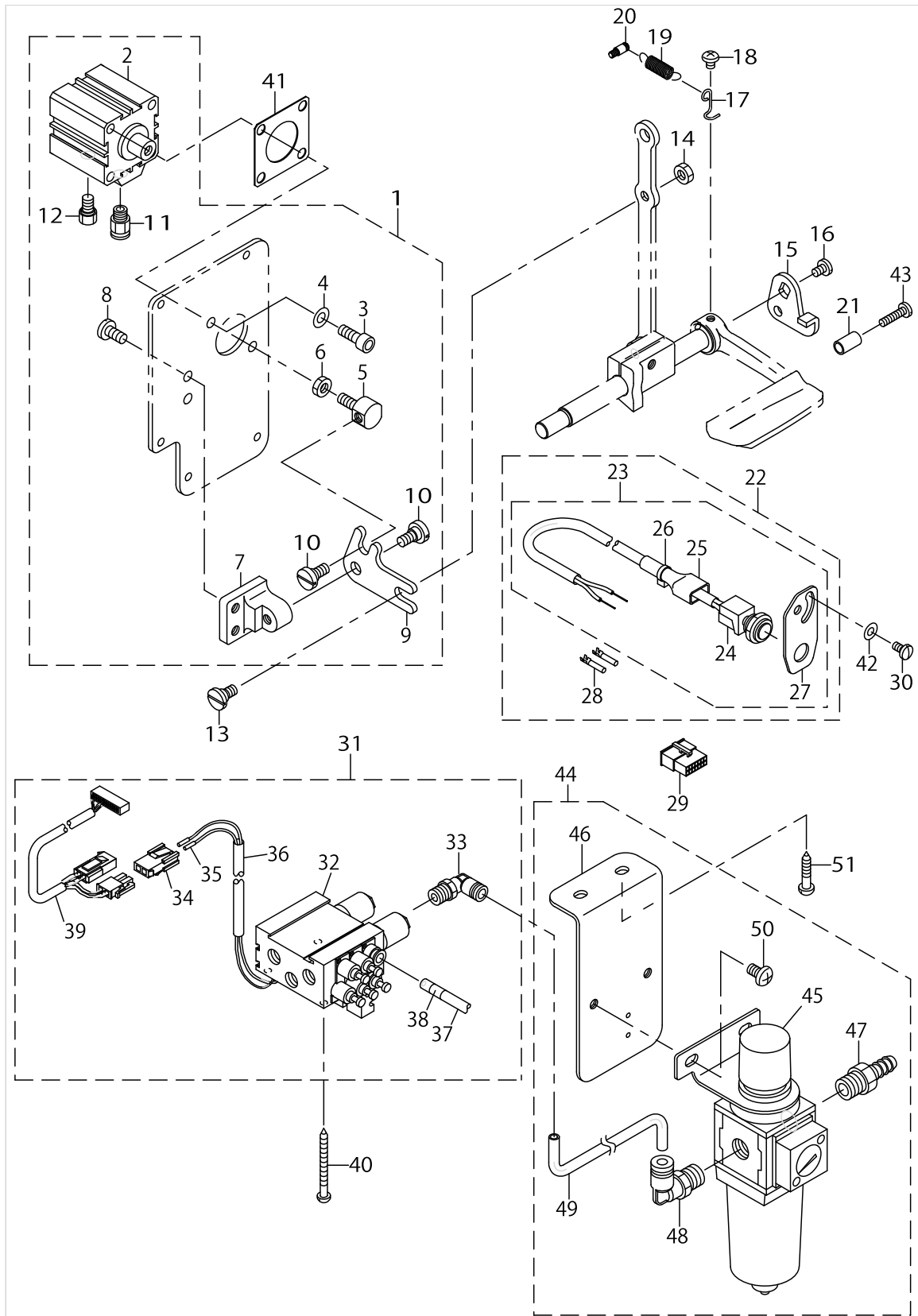


AUTOMATIC BACK COMPONENTS (OPTIONAL PARTS)

No.	Supply Code	Parts No.	Replacement	Parts name	Remarks	Choice	Step	Level	Cons	Qty	Rep. QTY
1		21348958		WINDOW PLATE ASM.						1	
2		PA320150200		JIG CYLINDER				*		1	
3		SM6061602TP		SCREW M6 L=16				*		2	
4		WP0641601SD		WASHER M6				*		2	
5		21348602		CYLINDER CONNECTING SCREW				*		1	
6		NM6060003SC		NUT M6				*		1	
7		21348503		FITTING BASE				*		1	
8		SS7151210SP		SCREW15/64-28L=12				*		2	
9		21348701		BACKWARD FEED LINK				*		1	
10		SD0800352SP		HINGE SCREW D= 8 H= 3.5				*		2	
11		PJ301065104		HALF UNION				*		1	
12		PX015101000		MUFFLER				*		1	
13		SD0800402TP		HINGE SCREW D= 8 H= 4						1	
14		NS6150430SP		NUT 15/64-28						1	
15		22656102		REVERSE FEED LINK, (1)						1	
16		SS7120760SP		SCREW 3/16-28L=7.0						1	
17		22656003		SPRINGSUSPENSION						1	
18		SS4120615SP		SCREW 3/16-28 L=6						1	
19		26226209		SPRING						1	
20		40023289		SPRINGSUSPENSION						1	
21		22952501		BACK LEVER STOPPER						1	
22		40056366		BT SWITCH C ASM.						1	
23		40056365		BT SWITCH B ASM.				*		1	
24		40056364		BT SWITCH A ASM.				*		1	
25		GTS01037000		CONNECTOR COVER				*		1	
26		EA9500B0100		CABLE BAND				*		1	
27	R	21388608	21388665	CABLE BAND				*		1	1.00
28		HK03464000A		TERMINAL, FEMALE				*		2	
29		HK034610140		HOUSING 14P						1	
30		SS7110840SP		SCREW 11/64-40 L=7.8						2	
31		40107488		AIRAPPARATUSASM.						1	
32		40105335		ELECTROMAGNETIC VALVE (F)				*		1	
33		GAK29010000		ELBOW B				*		1	
34		HK034620020		2P PLUG				*		1	
35		HK03463000A		TERMINAL				*		2	
36		GAKA1503000		INSULATION TUBE				*		1	
37		BT0600401EB		TUBE				*		1.3	
38		HX002950000		WIRE MARK(1)				*		4	
39		40105811		CORD ASM.				*		1	
40		SK3385001SE		WOOD SCREW D=3.8 L=50						4	
41		21349105		CYLINDER PACKING						1	
42		WP0501016SD		WASHER 5X10.5X1						2	
43	R	SS7111810SP	SS7111810TP	SCREW11/64-40L=18						1	1.00
44		40038722		FILTER REGULATAR ASM.						1	
45		PF0552170A0		FILTER REGULATOR				*		1	
46		40038723		FILTER REGULATOR MOUNTING PLATE				*		1	



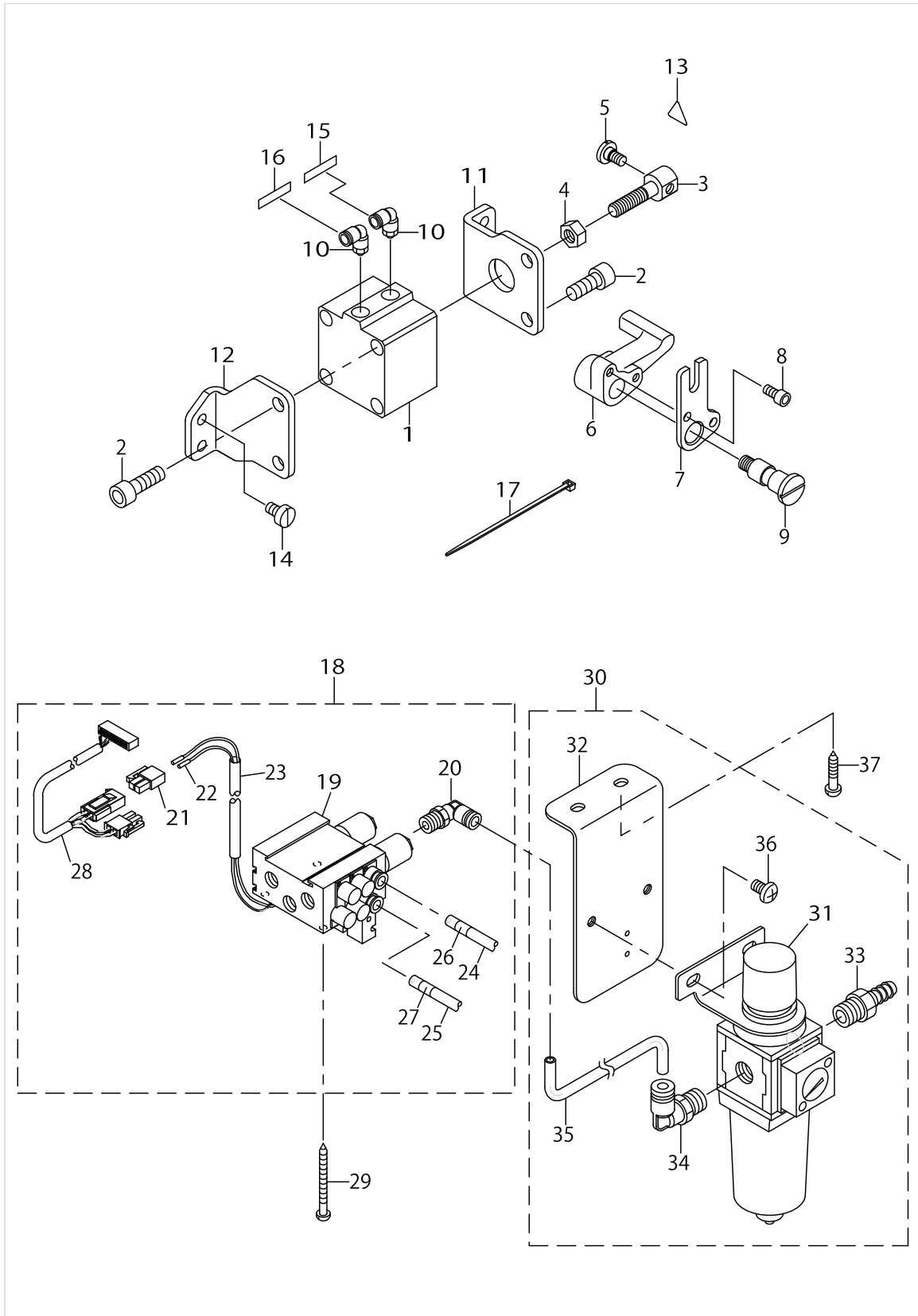
AUTOMATIC BACK COMPONENTS (OPTIONAL PARTS)



AUTOMATIC BACK COMPONENTS (OPTIONAL PARTS)

No.	Supply Code	Parts No.	Replacement	Parts name	Remarks	Choice	Step	Level	Cons	Qty	Rep. QTY
47		40107618		NIPPLE				*		1	
48		GAK29009000		ELBOW				*		1	
49		BT0600401EB		TUBE				*		0.28	
50		SM4061001SB		SCREW M6 L=10				*		2	
51		SK3482501SE		WOOD SCREW D=4.8 L=25				*		2	

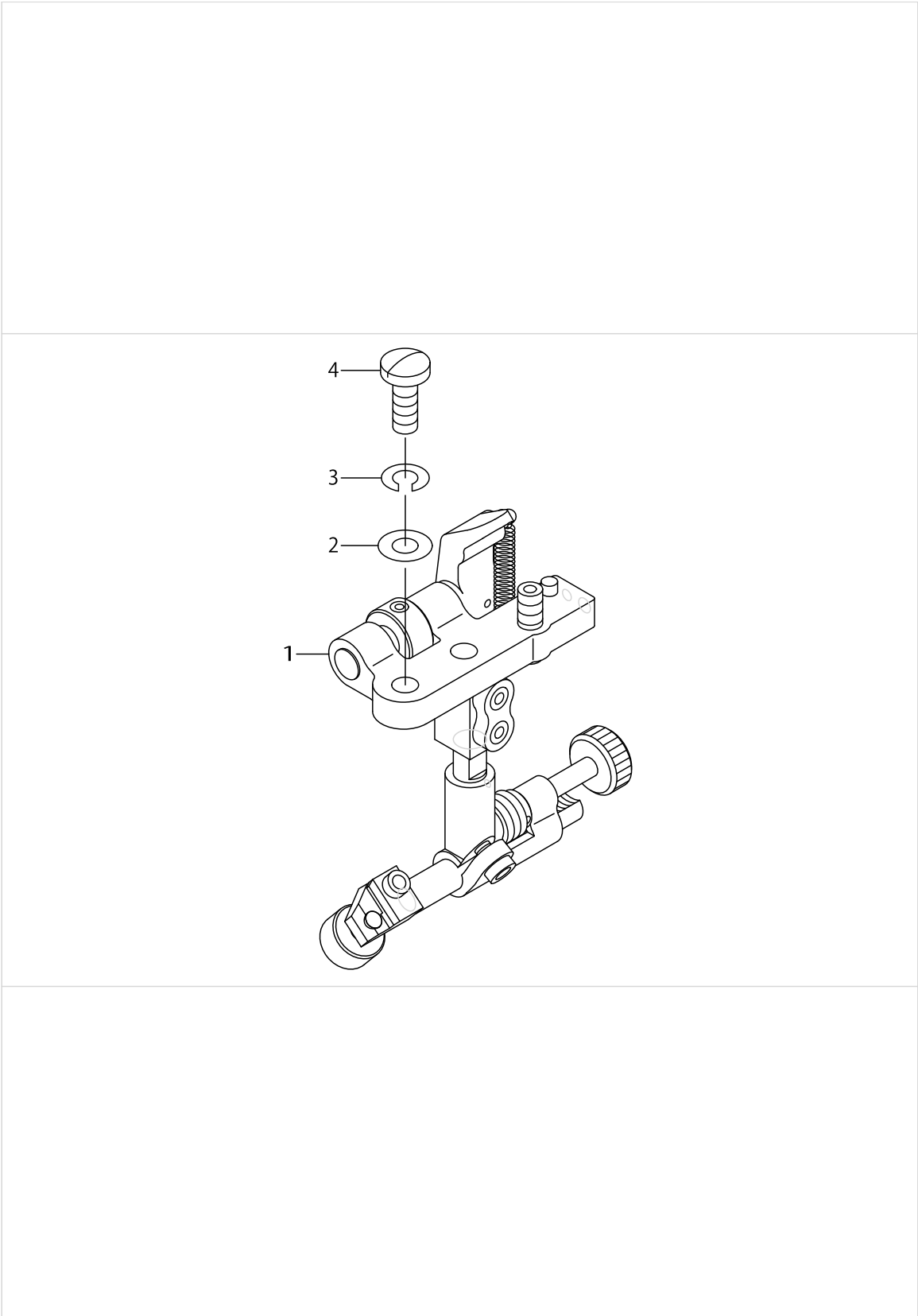
AUTOMATIC PRESSER LIFTING MECHANISM COMPONENTS (OPTIONAL PARTS)



AUTOMATIC PRESSER LIFTING MECHANISM COMPONENTS (OPTIONAL PARTS)

No.	Supply Code	Parts No.	Replacement	Parts name	Remarks	Choice	Step	Level	Cons	Qty	Rep. QTY
1		PA400150100		AIR CYLINDER						1	
2		SM6082002TP		SCREW M8 L=20						4	
3		21356506		CYLINDER CONNECTING SCREW						1	
4		NM6080001SE		NUT M8						1	
5		SD0720331SP		HINGE SCREW D= 7.24 H= 3.3						1	
6		21356605		LEVER A						1	
7		21356803		LEVER B						1	
8		SM6051002TP		SCREW M5X0.8 L=10						2	
9		21356704		SHAFT						1	
10		PJ304065101		ELBOW UNION 6XPT1/8						2	
11		21356308		CYLINDER STAY(FRONT)						1	
12		21356407		CYLINDER STAY(REAR)						1	
13		CM300200001		ATTENTION SEAL						1	
14		SS6151040SP		SCREW15/64-28L=10						4	
15		HX002950000		WIRE MARK(1)						1	
16		HX00295000A		WIRE MARK(2)						1	
17		EA9500B0100		CABLE BAND						3	
18		40103003		AIR APPARATUS(P)ASM.						1	
19		40038904		MAGNETIC VALVE(P)				*		1	
20		GAK29010000		ELBOW B				*		1	
21		HK034610020		2-POLE NYLON PLUG				*		1	
22		HK03464000A		TERMINAL, FEMALE				*		2	
23		GAKA1503000		INSULATION TUBE				*		1	
24		BT0600401EB		TUBE				*		1.3	
25		BT0600401EB		TUBE				*		1.3	
26		HX00295000A		WIRE MARK(2)				*		4	
27		HX00295000B		WIRE MARK(3)				*		4	
28		40105811		CORD ASM.				*		1	
29		SK3385001SE		WOOD SCREW D=3.8 L=50						4	
30		40038722		FILTER REGULATAR ASM.						1	
31		PF0552170A0		FILTER REGULATOR				*		1	
32		40038723		FILTER REGULATOR MOUNTING PLATE				*		1	
33		40107618		NIPPLE				*		1	
34		GAK29009000		ELBOW				*		1	
35		BT0600401EB		TUBE				*		0.28	
36		SM4061001SB		SCREW M6 L=10				*		2	
37		SK3482501SE		WOOD SCREW D=4.8 L=25						2	

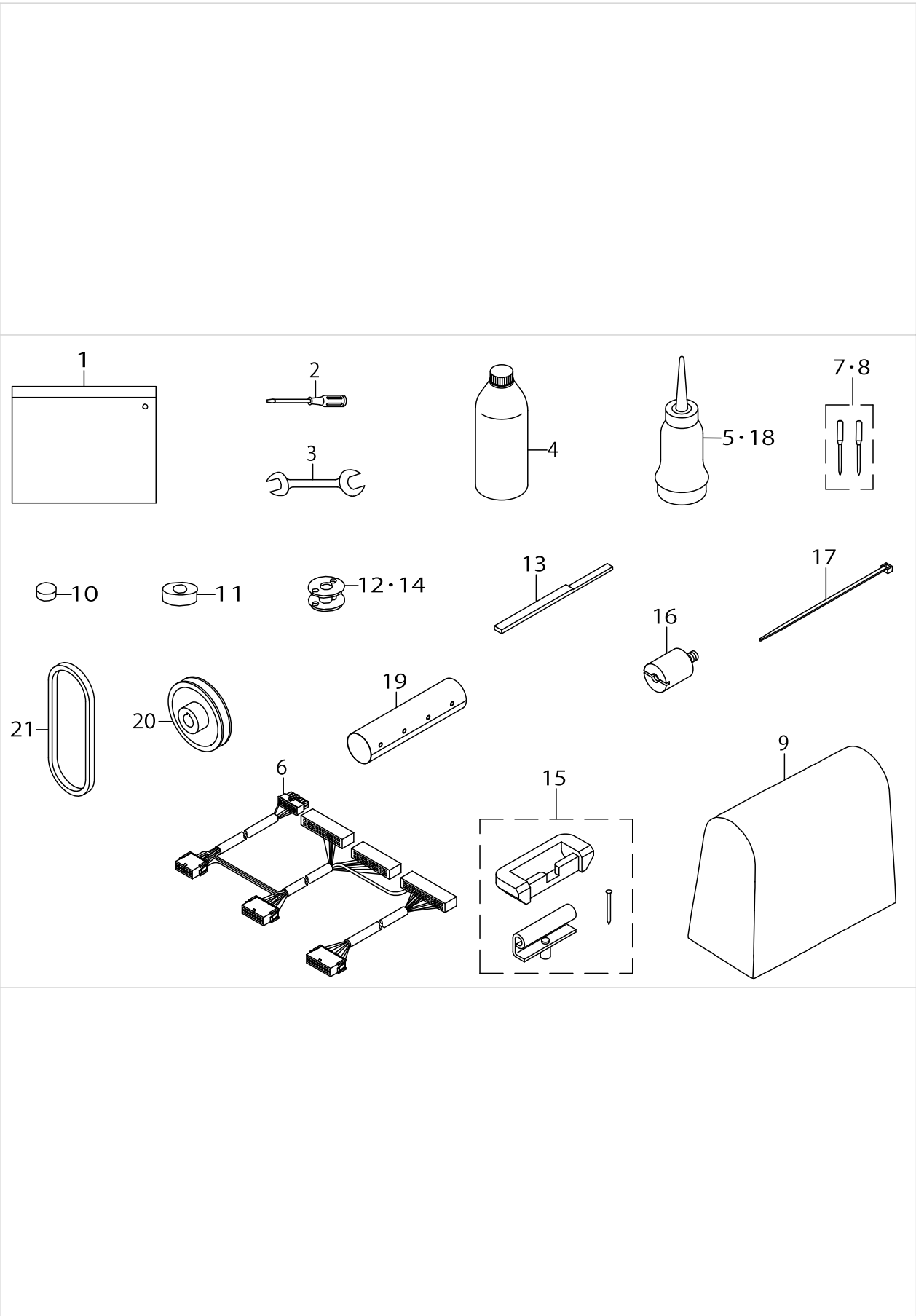
SUSPENSION SQUARE COMPONENTS (OPTIONAL PARTS)



SUSPENSION SQUARE COMPONENTS (OPTIONAL PARTS)

No.	Supply Code	Parts No.	Replacement	Parts name	Remarks	Choice	Step	Level	Cons	Qty	Rep. QTY
1		MAH152010A0		RULER						1	
2		WP0621016SD		WASHER 6.2X13X1						2	
3		WS0610002KN		SPRING WASHER 6.1X12.2X1.5						2	
4		SS7151610SP		SCREW15/64-28L=16						2	

ACCESSORIES PARTS COMPONENTS























ACCESSORIES PARTS COMPONENTS

No.	Supply Code	Parts No.	Replacement	Parts name	Remarks	Choice	Step	Level	Cons	Qty	Rep. QTY
1		21413158		ACCESSORY BAG ASM.						1	
2		22933006		SCREW DRIVER,LARGE						1	
3		B9113012000		WRENCH (9X10)						1	
4		MDFRX2700C0		NEW DEFRIX OIL NO.2(700CC)						1	
5		J1067000000		OILER	FOR WITH THREAD TRIMMER					1	
6		40101742		RELAY CORD ASM.	FOR WITH THREAD TRIMMER					1	
7		M13517B1602		NEEDLE 135X17 #160-2						1	
8		MC0190R1602		NEEDLE 190R #160-2	FOR LU-1509NH					1	
9		22933303		VINYL COVER						1	
10		B8206012000		FELT CUSHION						4	
11		B8209012000		RUBBER CUSHION						4	
12		B9117563000		BOBBIN	FOR WITH- OUT THREE- AD TRIMMER					1	
13		21390307		FIXING KNIFE GAUGE	FOR WITH THREAD TRIMMER					1	
14		21334800		ALUMINUM BOBBIN WITH KNURL	COMPLETE SET DELIV- ERY ONLY (FOR WITH THREAD TRIMMER)					1	
15		21413257		RUBBER HINGE ASM.						1	
16		40101368		PANEL STUD	FOR WITH THREAD TRIMMER					2	
17		EA9500B0100		CABLE BAND	FOR WITH THREAD TRIMMER					3	
18		B91210120A0		OILER ASM.	FOR WITH- OUT THREE- AD TRIMMER					1	
19		40102736		BUTTON TUBE	FOR WITH THREAD TRIMMER					.35	
20	D	MTSP00900B0		MOTOR PULLEY ASM. P.C.D 90	FOR WITH THREAD TRIMMER					1	
21		MTJVH00430A		V BELT 43INCH	FOR WITH THREAD TRIMMER					1	



TABLE OF EXCHANGING GAUGE PARTS (1)

Walking foot 上送り足										
			Ref.No	Part No.	Ref.No	Part No.	Ref.No	Part No.	Ref.No	Part No.
Presser foot 押え足			1	107-11653	2	107-11752	3	107-11851	4	107-11950
			Ref.No	Part No.						
	15	107-12552	—	—	—	—	—	—	—	
	16	107-58456	Standard 標準 	—	—	—	—	—	—	
	17	107-12651	 *02	—	—	—	—	—	—	
	18	107-12750	 *03	 *04	—	—	—	—	—	

Walking foot 上送り足							 *01			
			Ref.No	Part No.	Ref.No	Part No.	Ref.No	Part No.	Ref.No	Part No.
Presser foot 押え足			5	107-45354	9	107-46352	13	107-12354	14	107-12057
			6	107-45453	10	107-46451				
			7	107-45552	11	107-46550				
			8	107-45651	12	107-46659				
Ref.No	Part No.									
	15	107-12552	—	—	—	○	—	—	—	
	16	107-58456	—	—	—	○	—	—	—	
	17	107-12651	—	—	—	○	—	—	—	
	18	107-12750	—	—	—	—	—	—	—	

\*01・・・Without groove.

溝無しタイプ

To be used when the thread cannot be grasped at the sewing start.

縫い始めに糸が絡みにくい時に使用

\*02・・・For overlapped sections of material.

段部用

To be used when overlapped sections cannot be smoothly fed.

段部での乗り越えが悪い時に使用

\*03・・・For light-weight sponge.

薄いスポンジ用

To be used for resilient materials such as sponge.

スポンジ等の弾力性の有る素材に使用

\*04・・・For heavy-weight sponge.

厚いスポンジ用





















To be used for further resilient materials.

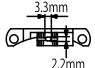
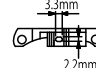
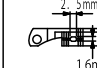
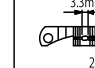
より弾力性の有る素材に使用

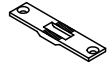
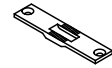
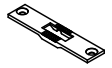
TABLE OF EXCHANGING GAUGE PARTS (1)

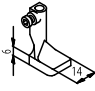
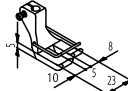
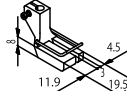
No.	Supply Code	Parts No.	Replacement	Parts name	Remarks	Choice	Step	Level	Cons	Qty	Rep. QTY
1		10711653		FEED FOOT ASM.						1	
2		10711752		FEEDING FOOT (URETHANE)						1	
3		10711851		FEEDING FOOT ASM. RIGHT						1	
4		10711950		FEEDING FOOT ASM.,LEFT						1	
5		10745354		FEEDING FOOT (PIPING) 3MM						1	
6		10745453		FEEDING FOOT (PIPING) 4MM						1	
7		10745552		FEEDING FOOT (PIPING) 5MM						1	
8		10745651		FEEDING FOOT (PIPING) 6MM						1	
9		10746352		FEEDING FOOT (PI-PING) 3MM ADJUSTABLE						1	
10		10746451		FEEDING FOOT (PI-PING) 4MM ADJUSTABLE						1	
11		10746550		FEEDING FOOT (PI-PING) 5MM ADJUSTABLE						1	
12		10746659		FEEDING FOOT (PI-PING) 6MM ADJUSTABLE						1	
13		10712354		FEED FOOT ASM.						1	
14		10712057		FEED FOOT ASM.						1	
15		10712552		PRESSER FOOT ASM.						1	
16		10758456		PRESSER FOOT ASM.						1	
17		10712651		PRESSER FOOT ASM.						1	
18		10712750		PRESSER FOOT, URETHANE						1	

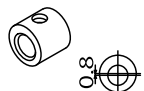
TABLE OF EXCHANGING GAUGE PARTS (2)

Walking foot 上送り足												
Presser foot 押え足			Ref.No	Part No.	Ref.No	Part No.	Ref.No	Part No.	Ref.No	Part No.	Ref.No	Part No.
			1	107-11653	2	107-11752	3	107-11851	4	107-11950	5	107-45354
											9	107-46352
											10	107-46451
											11	107-46550
											12	107-46659
											13	107-12354
											14	107-12057
Ref.No	Part No.											
	15	107-12859	—	—		*02	—	—	—	—	—	—
	16	107-12958	—	—	—	—		*03	—	—	—	—
	17	107-47350	—	—	—	—	—	—		*04	Adjustable 調整式 	—
	18	107-47459	—	—	—	—	—	—	—	—		—
	19	107-47558	—	—	—	—	—	—	—	—		—
	20	107-47657	—	—	—	—	—	—	—	—		—
	21	107-13055	—	—	—	—	—	—	—	—	—	*06

Feed dog 送り歯				
	3.3mm 2.2mm	Standard 標準	Ref.No	22
	3.3mm 2.2mm	*01	Ref.No	23
	2.5mm 1.6mm	For fine thread 細糸用	Ref.No	24
	3.3mm 2.2mm	Wide type 幅広タイプ	Ref.No	25
Part No.	214-52404	107-17205	107-17304	107-39001

Throat plate 針板			
	Standard 標準	Ref.No	26
	Wide type 幅広タイプ	Ref.No	27
	*08	Ref.No	28
Part No.	107-01704	107-02009	214-52503

For machining 加工用			
	To be machined to a walking foot. 送り足加工用	Ref.No	29
	Type B to be machined to a walking foot. 送り足加工用B	Ref.No	30
	Type A to be machined to a walking foot. 送り足加工用A	Ref.No	31
Part No.	107-12255	107-48358	107-13253

Feed driving eccentric 上下送りカム		
	Ref.No	32
Part No.	213-78104	

- \*01...Without groove.  
溝無しタイプ  
To be used when the thread cannot be grasped at the sewing start.  
縫い始めに糸が絡みにくい時に使用
- \*02...Right-edge presser.  
右片押え  
To be used to sew edges of material.  
イッジを縫製する場合に使用
- \*03...Left-edge presser.  
左片押え  
To be used to sew edges of material.  
イッジを縫製する場合に使用
- \*04...For piping.  
パイピング用  
To be used for general piping processes.  
一般のパイピング工程に使用
- \*05...For piping.  
パイピング用  
Permits adjustment of the needle position with respect to the pipe.  
パイプに対する針の位置が調整出来ます。
- \*06...Wide type.  
幅広タイプ  
To be used when a sewing product cannot be smoothly fed.  
縫製物の送りが悪い場合に使用
- \*07... F or except LU-1509NH  
LU-1509NHを除く
- \*08...Exclusive parts for LU-1509NH  
LU-1509NH専用部品

TABLE OF EXCHANGING GAUGE PARTS (2)

No.	Supply Code	Parts No.	Replacement	Parts name	Remarks	Choice	Step	Level	Cons	Qty	Rep. QTY
1		10711653		FEED FOOT ASM.						1	
2		10711752		FEEDING FOOT (URETHANE)						1	
3		10711851		FEEDING FOOT ASM. RIGHT						1	
4		10711950		FEEDING FOOT ASM.,LEFT						1	
5		10745354		FEEDING FOOT (PIPING) 3MM						1	
6		10745453		FEEDING FOOT (PIPING) 4MM						1	
7		10745552		FEEDING FOOT (PIPING) 5MM						1	
8		10745651		FEEDING FOOT (PIPING) 6MM						1	
9		10746352		FEEDING FOOT (PI- PING) 3MM ADJUSTABLE						1	
10		10746451		FEEDING FOOT (PI- PING) 4MM ADJUSTABLE						1	
11		10746550		FEEDING FOOT (PI- PING) 5MM ADJUSTABLE						1	
12		10746659		FEEDING FOOT (PI- PING) 6MM ADJUSTABLE						1	
13		10712354		FEED FOOT ASM.						1	
14		10712057		FEED FOOT ASM.						1	
15		10712859		FEEDING FOOT, RIGHT						1	
16		10712958		PRESSERFOOT,LEFT						1	
17		10747350		PRESSER FOOT (PIPING) 3MM						1	
18		10747459		PRESSER FOOT (PIPING) 4MM						1	
19		10747558		PRESSER FOOT (PIPING) 5MM						1	
20		10747657		PIPING FOOT 6MM						1	
21		10713055		FEED FOOT ASM.						1	
22		21452404		FEED DOG						1	
23		10717205		FEED DOG,W10 GROOVE						1	
24		10717304		FEED DOG (THIN THREAD)						1	
25		10739001		FEED DOG						1	
26		10701704		THROAT PLATE						1	
27		10702009		THROAT PLATE						1	
28		21452503		THROAT PLATE						1	
29		10712255		FEED FOOT ASM.						1	
30		10748358		PRESSER FOOT ASM.						1	
31	D	10713253		PRESSER FOOT ASM.						1	
32	R	21378104	21378153	FEED DRIVING ECCENTRIC						1	1.00

LIST FOR INFORMATION OF CHANGE (1)

As to the place changed, refer to the corresponding Rev.No.  
 When previous parts(Obsoleted part)and new parts(Added parts)are  
 not interchangeable with each other:  
 In this case,even obsoleted parts(D.)can be ordered with the  
 obsoleted part number,so select the parts with changed dates and  
 place your orders.

変更箇所は、該当Rev.No.版をご参照ください。  
 部品の互換性がない変更の場合は、削除された品番でも、ご注文できます。

29359304  
 No.1341-06 Rev.No.

\*A:Added parts追加部品/D:Obsoleted parts削除部品/E:Erratum訂正

* Rev. No.	Page 頁	Ref. No.	Parts No. 品番	* Rev. No.	Page 頁	Ref. No.	Parts No. 品番
D 05	2	20	213-55805	A 06	2	20	401-25273
D 05	2	22	B1129-051-000	A 06	2	22	401-08675
D 05	2	49	213-31905	A 06	2	49	401-07950
				A 06	2	71	106-22009
D 05	4	58	213-33802	A 06	4	58	401-04367
D 05	8	61	107-15001	A 06	8	61	401-08542
D 05	8	84	107-14509	A 06	8	84	401-07949
				A 06	8	95	SS-8110520-TP
				A 06	8	96	228-14909
D 05	10	57	213-78203	A 06	10	57	401-08541
D 05	10	74	111-00500	A 06	10	74	229-52501
D 05	10	88	213-52802	A 06	10	88	400-39454
D 05	10	94	101-20004	A 06	10	94	400-23289
				A 06	14	12	401-01351
D 05	14	13	CS-0790731-SH	A 06	14	13	229-17009
D 05	14	22	213-53859	A 06	14	22	401-19279
D 05	14	23	213-53909	A 06	14	23	401-04369
D 05	14	25	213-53800	A 06	14	25	401-04368
D 05	14	50	226-20801				
D 05	14	51	SS-7111810-TP				
D 05	15	17	101-20004	A 06	15	17	400-23289
D 05	16	1	214-41068	A 06	16	1	401-03925
D 05	16	8	B3126-012-000	A 06	16	8	131-38201
D 05	16	11	B3120-125-000	A 06	16	11	229-21407
D 05	16	12	119-56802	A 06	16	12	229-21308
D 05	16	15	110-45101	A 06	16	15	229-45505
D 05	16	16	110-72402	A 06	16	16	229-45703
D 05	16	18	SS-4080610SP	A 06	16	18	SS-4080620-TP
D 05	19	27	D3168-555-HOB	A 06	19	27	229-45505
D 05	19	28	B3214-047-000	A 06	19	28	401-13092
D 05	19	30	110-72402	A 06	19	30	229-45703
D 05	22	1	400-24965	A 06	22	1	401-02065
D 05	22	3	400-24857	A 06	22	3	401-02063
D 05	22	8	HK-0346101-60	A 06	22	8	HK-0346101-80
D 05	22	17	GAK-29011000	A 06	22	17	401-07618
D 05	22	20	SM-4061001-SE	A 06	22	20	SM-4061001-SB



## HOW TO MAKE USE OF THIS PARTS LIST

### 1.Explanation of codes

1)"\*"mark.....means this part is changed from the previous parts book.

As to the details of the change, refer to the "List for information of change".

2)"#01".....refer to "Note" explanation at bottom of page.

### 2.Codes on the "Qty" column

- Each numeral indicates the number of parts required.
- "0.1" and "2.5" indicate the length (in meters) of the respective parts.

3.Parentheses mean that the corresponding part is a subpart that constructs an assembly part.

4.Dotted lines on the Figures indicate assembly parts.

### 1."注記"欄の記号説明

1) "\*"印.....前回のパーツブックに比較して今回変更された部品を意味します。

変更内容は、"変更情報リスト"を参照してください。

2) "#01".....ページ下の"注記"の説明を参照してください。

2.数量欄の数字は、個数を表し、0.1、2.5等の数値は、長さ（単位メートル）を表します。

3.数量欄の（ ）は、組部品を構成している子部品であることを意味します。

4.イラストページの-----枠は、組構成であることを意味します。

# NUMERICAL INDEX OF PARTS

PART NO	PAGE	REF NO.	PART NO	PAGE	REF NO.	PART NO	PAGE	REF NO.
10083202	20	78	10711950	74	4	10747350	74	17
10109700	26	13·45~ 52	10712057	72	14	10747459	74	18
10109809	26	13·45~ 52	10712057	74	14	10747558	74	19
10109908	24	16	10712255	74	29	10747657	74	20
10110906	26	13·45~ 52	10712354	72	13	10748101	56	11
10111003	26	13·45~ 52	10712354	74	13	10748358	74	30
10111102	24	13·45~ 52	10712552	72	15	10753002	56	26
10111201	26	13·45~ 52	10712651	72	17	10753150	52	5
10112407	24	17	10712750	72	18	10755205	56	15
10112506	26	13·45~ 52	10712859	74	15	10755254	56	14
10112605	26	13·45~ 52	10712958	74	16	10758456	52	9
10112704	26	13·45~ 52	10713055	74	21	10758456	72	16
10116804	28	21	10713253	74	31	10774305	14	58
10124204	34	13	10713501	14	75	10774354	14	57
10126803	48	59	10713808	14	83	10774404	14	59
10201200	4	53	10714202	14	70	11272614	22	96
10205201	18	20	10714608	14	85	13138201	34	8
10320109	34	3	10715100	14	60	13765607	46	43
10321107	34	24~26	10715308	14	66	13789201	22	95
10502300	40	21	10715704	14	62	14512503	40	17
10509701	12	22	10716504	14	76	17912106	2	26
10539906	56	38	10717205	74	23	21006002	58	7
10604809	8	72	10717304	74	24	21006408	58	3
10618304	40	8	10718203	14	69	21006507	58	1
10622009	4	71	10727204	56	25	21048707	14	88
10701654	52	1	10727303	56	24	21331202	2	11
10701704	52	2	10739001	74	25	21331301	2	4
10701704	74	26	10739209	56	36	21331608	2	18
10701902	52	6	10741106	34	14	21331756	2	8
10702009	74	27	10745354	72	5	21331806	2	12
10704807	40	19	10745354	74	5	21332002	2	13
10711653	52	7	10745453	72	6	21332101	4	50
10711653	72	1	10745453	74	6	21332200	4	46
10711653	74	1	10745552	72	7	21332309	2	16
10711752	72	2	10745552	74	7	21332507	6	13·77
10711752	74	2	10745651	72	8	21332606	8	13·77
10711851	72	3	10745651	74	8	21332705	6	1
10711851	74	3	10746352	72	9	21332903	6	29·63
10711950	72	4	10746352	74	9	21333000	6	2
			10746451	72	10	21333109	6	18
			10746451	74	10	21333208	6	3
			10746550	72	11	21333307	8	6·57
			10746550	74	11	21333406	8	60
			10746659	72	12	21333604	24	25
			10746659	74	12	21333703	8	48·62



# NUMERICAL INDEX OF PARTS

PART NO	PAGE	REF NO.	PART NO	PAGE	REF NO.	PART NO	PAGE	REF NO.
21333901	8	48·62	21340005	14	87	21346358	50	5
21334008	8	29·63	21340104	12	31	21346408	46	8
21334701	24	15	21340302	16	90	21346408	50	8
21334800	24	24·60	21340401	12	1	21346507	46	7
21334800	70	12·14	21340500	12	2	21346507	50	7
21334909	24	2·54	21340708	46	10	21346606	48	56
21335005	26	1·53	21340708	50	11	21346705	56	33
21335500	24	6·55	21340906	12	42	21346804	56	28
21335708	24	7·56	21341508	14	68	21346903	56	32
21335807	24	10·57	21341607	14	65	21347000	46	14
21336300	20	60·68	21342506	38	4	21347109	12	13
21336409	20	60·68	21342555	38	3	21347208	46	16
21336508	6	21	21342605	38	5	21347208	50	16
21336557	6	20	21342704	38	9	21347406	10	30
21336607	20	49	21342803	38	13	21348206	34	24~26
21336656	20	48	21342902	38	17	21348503	32	6
21336706	20	53	21343009	38	11	21348503	62	7
21336805	18	41·42	21343108	38	32	21348602	32	4
21336904	18	41·42	21343157	38	30	21348602	62	5
21337001	20	81	21343207	38	1	21348701	32	8
21337100	20	82	21343355	38	21	21348701	62	9
21337209	18	38·61	21343405	38	19	21348909	4	67
21337308	18	33	21343702	38	6	21348958	62	1
21337407	18	26	21343801	38	7	21349105	32	30
21337506	18	23	21345103	46	34	21349105	62	41
21337605	18	35	21345202	46	36	21351002	56	19
21337704	18	24	21345301	56	27	21351101	56	18
21337803	16	92	21345350	56	23	21351150	56	17
21337803	18	71	21345509	56	34	21351200	56	20
21337803	20	71	21345608	46	25	21351457	56	1
21337902	18	31	21345707	46	2	21352505	8	78
21338108	20	38·61	21345707	50	2	21352604	20	79
21338306	18	29	21345756	46	1	21352703	20	77
21338603	10	18	21345756	50	1	21352901	20	84
21338801	10	20	21345806	46	3	21353008	8	55
21338900	10	22	21345806	50	3	21353701	28	18
21339007	10	28	21345905	46	4	21353750	28	17
21339056	10	27	21345905	50	4	21354006	28	20
21339106	6	8·82	21346002	46	18	21354105	28	31
21339304	10	25	21346002	50	18	21354204	28	32
21339502	6	16	21346101	48	53	21354501	28	15
21339601	14	71	21346200	48	54	21354600	28	42
21339700	14	73	21346309	46	6	21354709	30	45
21339700	50	27	21346309	50	6	21354907	30	50
21339809	14	79	21346358	46	5	21355102	28	41

## NUMERICAL INDEX OF PARTS

PART NO	PAGE	REF NO.	PART NO	PAGE	REF NO.	PART NO	PAGE	REF NO.
21355706	40	24	21389507	28	5	21451505	14	52
21355755	40	23	21389556	28	4	21451752	14	46
21355904	2	6	21389705	28	37	21451802	18	2
21356001	40	6	21389903	28	35	21451851	18	1
21356308	42	11	21390000	24	1-53	21451901	18	3
21356308	66	11	21390208	30	53	21452404	52	11
21356407	42	12	21390307	70	13	21452404	74	22
21356407	66	12	21393103	8	65	21452503	52	3
21356506	42	3	21393152	8	64	21452503	74	28
21356506	66	3	21402300	6	27	22537658	40	2
21356605	66	6	21405204	10	2	22538151	40	4
21356704	42	9	21406103	14	48	22538706	40	32
21356704	66	9	21406509	12	28	22602601	4	57
21356803	42	7	21406608	14	49	22604300	6	25
21356803	66	7	21407507	50	22	22606206	8	83
21357959	40	3	21407606	50	23	22609309	20	73
21357967	40	1	21407705	50	24	22609408	18	12
21358205	40	9	21408505	2	25	22611701	24	44
21361407	4	68	21408554	2	24	22611909	24	42
21363106	36	3	21413158	70	1	22617906	34	9
21364104	18	10	21413257	70	15	22618201	34	7
21378104	24	33	21427307	24	26	22619100	4	52
21378104	74	32	21430400	20	72	22620504	50	30
21378302	12	5	21437207	60	35	22651202	2	30
21378302	18	13	21437306	60	37	22656003	32	14
21378401	24	14-58	21437900	12	36	22656003	62	17
21378500	26	14-58	21438007	10	14	22656102	32	12
21378708	40	29	21438106	60	28	22656102	62	15
21378906	20	54	21438205	60	38	22814909	10	11
21379003	56	6	21438403	60	4	22814909	16	96
21387055	24	23-30-59	21438502	60	6	22863203	38	26
21387402	20	69	21438601	60	9	22863252	38	23
21387501	6	31	21438700	60	11	22877609	4	47
21387600	6	34	21441050	34	2	22901805	4	45
21387709	6	33	21441100	34	17	22901805	18	44
21387808	6	38	21441209	36	7	22904106	12	7
21387907	8	75	21441308	36	8	22904106	18	18
21388004	20	66	21441407	36	1	22904155	12	6
21388400	10	16	21442603	60	17	22904155	18	17
21388509	42	6	21442702	60	18	22907109	14	50
21388608	32	26	21442900	60	20	22907604	12	43
21388608	62	27	21443007	60	21	22912000	20	46
21389200	28	1	21443106	60	22	22912109	20	47
21389309	28	6	21443205	60	23	22917009	28	13
21389408	28	7	21443809	60	24	22921308	34	12

# NUMERICAL INDEX OF PARTS

PART NO	PAGE	REF NO.	PART NO	PAGE	REF NO.	PART NO	PAGE	REF NO.
22921407	34	11	40025299	56	5	40085794	54	12
22932404	38	28	40025300	56	8	40085795	54	13
22932453	38	27	40027746	10	26	40085796	54	16
22933006	70	2	40033026	12	12	40096325	54	14
22933303	70	9	40033027	12	11	40096326	54	17
22934202	38	35	40033029	12	19	40096327	54	19
22934301	38	36	40033033	12	24	40096354	54	1
22934400	38	34	40033034	12	40	40101351	28	12
22934509	38	33	40033035	12	39	40101368	70	16
22934707	38	29	40038692	6	23	40101742	70	6
22945505	34	15	40038700	8	50	40102061	60	19
22945505	40	27	40038702	8	51	40102062	60	16
22945703	34	16	40038722	44	14	40102063	44	3
22945703	40	30	40038722	62	44	40102064	44	22
22951552	4	39	40038722	66	30	40102065	44	1
22952501	20	74	40038723	44	16	40102066	44	21
22952501	32	18	40038723	62	46	40102736	70	19
22952501	62	21	40038723	66	32	40103003	66	18
23002009	10	1	40038904	66	19	40103925	34	1
23006406	34	24~26	40039326	12	4	40104367	8	44·58
23208507	4	62	40039454	20	88	40104368	28	25
23208556	4	61	40042611	26	35·61	40104369	28	23
23208606	4	63	40051503	46	23	40105335	62	32
23630007	46	52	40055028	8	8·82	40105811	62	39
23630007	48	52	40056364	32	23	40105811	66	28
23636202	40	5	40056364	62	24	40107488	62	31
26023200	22	90	40056365	32	22	40107618	44	17
26225201	12	29	40056365	62	23	40107618	64	47
26226209	32	16	40056366	32	21	40107618	66	33
26226209	62	19	40056366	62	22	40107949	14	84
40009103	20	50	40062388	36	5	40107950	4	49
40016148	8	81	40064409	46	38	40108541	20	57
40016798	2	1	40072708	58	5	40108542	14	61
40018339	12	16	40072709	58	4	40108675	2	22
40018340	14	55	40075553	14	81	40113092	40	28
40018341	12	23	40085784	54	2	40119279	28	22
40019114	2	3	40085785	54	3	40125273	2	20
40019926	18	36	40085786	54	4	A407855000A	46	20
40023289	22	94	40085787	54	5	B1111563000	2	34
40023289	32	17	40085788	54	6	B1132521000	2	27
40023289	62	20	40085789	54	7	B1140051000	50	14
40024852	16	94	40085790	54	8	B1148555000	40	11
40024855	8	71	40085791	54	9	B1203512000	6	26
40025035	60	30	40085792	54	10	B1210051000	6	11
40025036	60	29	40085793	54	11	B1214019000	6	32

# NUMERICAL INDEX OF PARTS

PART NO	PAGE	REF NO.	PART NO	PAGE	REF NO.	PART NO	PAGE	REF NO.
B1214038000	46	45	B3025141H00A	18	15	CS070081BSH	28	27
B1308055000	6	35	B3125012000	34	6	CS1201010SH	20	62
B1309055000	6	36	B3128520000	34	4	CS1201011SH	20	63
B1310055000	6	37	B3129526000	34	10	D1455055B00	12	33
B1312563000A	6	44-58	B31375270A0	34	5	D1456055B00	12	32
B1313055000	8	47	B3138512000	2	32	D2112555B00	2	10
B1314055000	6	39	B3205210000	40	10	D2427555B00B	28	26
B1401246000	10	32	B3416552000	14	77	D2430555B00	28	24
B1410771000	10	24	B3428521000	38	24	D2461481C00	22	89
B1411057000	10	8	B3520586000	46	24	D3162555B00	34	21
B14110570A0	10	7	B3524552000	46	46	D3162555B00	40	25
B1412051000	10	10	B3534155000	46	44	D8232241E00	56	21
B1412051000	46	19	B3538112000	46	41	EA9500B0000	12	14
B1412051000	50	33	B8112220000	56	7	EA9500B0000	46	9
B1414232000	10	23	B8206012000	70	10	EA9500B0000	50	9
B1414555000	12	21	B8209012000	70	11	EA9500B0100	4	41
B1418141H00	10	33	B8228125000	56	35	EA9500B0100	10	31
B1437051000	10	6	B9113012000	70	3	EA9500B0100	14	54
B1462053000	14	47	B9117563000	26	24-60	EA9500B0100	30	49
B14670530A0	12	25	B9117563000	70	12-14	EA9500B0100	32	25
B1468053000	12	26	B91210120A0	70	5-18	EA9500B0100	46	58
B1502246000	14	44	BT0500300EA	50	21	EA9500B0100	48	58
B152652700G	14	63	BT0600401EB	44	28	EA9500B0100	50	31
B152989000CA	40	7	BT0600401EB	62	49	EA9500B0100	62	26
B1604012000A	18	7	BT0600401EB	64	49	EA9500B0100	66	17
B1610512000	18	39	BT0600401EB	66	35	EA9500B0100	70	17
B1639051000	8	46	BT0600402EA	48	57	GAK29009000	44	18
B18035150A0	24	29	CM300200001	4	44	GAK29009000	64	48
B1816051000	24	38	CM300200001	42	13	GAK29009000	66	34
B1817051000	24	35-61	CM300200001	66	13	GAK29010000	44	24
B1820563000	26	2-54	CM301300001	4	37	GAK29010000	62	33
B1821051000	24	3	CQ202000000	6	19	GAK29010000	66	20
B1822563000	26	6-55	CQ202000000	10	34	GAKA1503000	44	25
B1823051000	26	7-56	CQ202000000	18	51	GAKA1503000	62	36
B1824563000	26	10-57	CQ202000000	20	51	GAKA1503000	66	23
B18305630A0	26	23-30-59	CQ202000000	24	9	GAKA2302B00	44	4
B1830563BA0	24	23-30-59	CQ202000000	46	15	GAKA2302C00	44	23
B1834512000A	24	21-40	CQ202000000	50	34	GTS01037000	32	24
B1839563000	56	39	CQ252000000	14	82	GTS01037000	62	25
B1841563000	56	37	CQ252000000	46	31	HK034610020	66	21
B1843563000	24	40	CQ252000000	50	20	HK034610120	30	48
B1905241H00	8	4-76	CQ3000000F0	12	15	HK034610140	62	29
B1905563000	6	4-76	CQ303000000	6	9	HK034610180	44	27
B1906051000	6	5	CQ505000000	6	12	HK034620020	62	34
B1907051000	6	6-57	CS0700811SH	28	28	HK03463000A	62	35

# NUMERICAL INDEX OF PARTS

PART NO	PAGE	REF NO.	PART NO	PAGE	REF NO.	PART NO	PAGE	REF NO.
HK03464000A	30	47	NM9050001SC	56	30	SD0600403TP	60	7
HK03464000A	32	27	NS6110310SP	34	20	SD0600454TP	60	8
HK03464000A	44	26	NS6110310SP	40	26	SD0640322TP	6	42
HK03464000A	62	28	NS6110420SP	24	22	SD0640325SP	28	39
HK03464000A	66	22	NS6110530SP	12	35	SD0640482SP	28	40
HK03464000B	36	6	NS6110530SP	58	2	SD0700451TP	38	20
HX00123000A	4	59	NS6150310SP	20	59	SD0720331SP	42	5
HX00123000A	8	73	NS6150430SP	14	51	SD0720331SP	66	5
HX002950000	32	31	NS6150430SP	32	10	SD0800352SP	32	11
HX002950000	44	29	NS6150430SP	62	14	SD0800352SP	62	10
HX002950000	62	38	NS6680320SP	18	76	SD0800402TP	18	34
HX002950000	66	15	NS6680320SP	20	76	SD0800402TP	32	9
HX00295000A	42	15	PA320150200	32	1	SD0800402TP	62	13
HX00295000A	44	30	PA320150200	62	2	SD0800481SP	14	45
HX00295000A	66	26	PA320200100	60	2	SD0900701TP	18	75
HX00295000B	42	16	PA400150100	42	1	SD0900701TP	20	75
HX00295000B	44	31	PA400150100	66	1	SD1000801SH	20	55
HX00295000B	66	27	PF0552170A0	44	15	SK3241601SC	56	13
HX00295000C	44	32	PF0552170A0	62	45	SK3385001SE	44	13
HX00295000C	60	15	PF0552170A0	66	31	SK3385001SE	62	40
HX00354000N	60	25	PJ301065104	32	20	SK3385001SE	66	29
J1067000000	70	5-18	PJ301065104	62	11	SK3482500SC	56	16
M13517B1600	10	4-13	PJ304065101	42	10	SK3482501SE	44	33
M13517B1602	70	7-8	PJ304065101	60	13	SK3482501SE	64	51
M40071100AA	8	67	PJ304065101	66	10	SK3482501SE	66	37
M40071100AB	8	68	PS0300242K0	58	6	SK3514000SC	60	36
MAH152010A0	68	1	PS0500202KP	50	32	SL4030631SC	60	27
MAT80230T00	60	32	PS0600502KP	34	23	SL4040881SC	14	56
MAT80231T00	60	31	PX015101000	32	32	SM1050801SR	14	72
MC0190R1600	10	4-13	PX015101000	60	14	SM3031401SE	56	9
MC0190R1602	70	7-8	PX015101000	62	12	SM4051405SE	54	23
MDFRX2700C0	70	4	RC0560711KP	40	12	SM4061001SB	44	20
MTJVH00430A	70	21	RE0400000K0	22	91	SM4061001SB	64	50
MTSP00900B0	70	20	RE0500000K0	8	45	SM4061001SB	66	36
NM6030001SC	56	10	RE0500000K0	14	78	SM6021000TP	56	29
NM6030001SC	60	26	RE0500000K0	40	13	SM6030802TP	28	2
NM6040001SN	36	10	RE0500711KP	18	8	SM6040552TP	52	8
NM6050001SD	38	16	RE0800000K0	14	89	SM6040800SP	40	31
NM6050001SE	54	24	RE0800000K0	38	10	SM6040802TP	28	44
NM6060003SC	32	5	RE0900000K0	20	65	SM6040802TP	52	10
NM6060003SC	62	6	RO092270200	18	45	SM6041202TP	28	10
NM6080001SE	42	4	RO092270200	40	14	SM6044002TP	60	3
NM6080001SE	66	4	SB120000200	8	53	SM6051002TP	42	8
NM6080721SE	60	5	SD0380551SL	2	28	SM6051002TP	66	8
NM7040062SB	36	11	SD0470281SP	34	19	SM6051402TP	14	67

NUMERICAL INDEX OF PARTS

PART NO	PAGE	REF NO.	PART NO	PAGE	REF NO.	PART NO	PAGE	REF NO.
SM6051602TP	38	8	SS6090620SP	40	22	SS7110510SP	50	12
SM6052002TP	16	91	SS6090810SP	24	12	SS7110570SP	36	4
SM6052002TP	38	14	SS6090910SP	22	92	SS7110710SP	8	56
SM6061202TP	38	2	SS6091022TP	10	19	SS7110710SP	20	83
SM6061602TP	32	2	SS6110480SP	46	40	SS7110830SP	10	17
SM6061602TP	62	3	SS6110480SP	50	10	SS7110830SP	14	80
SM6061802TP	18	40	SS6110520TP	20	56	SS7110830SP	46	33
SM6062502TP	12	37	SS6110630TP	14	64	SS7110840SP	32	28
SM6062502TP	38	22	SS6110710TP	30	46	SS7110840SP	56	3
SM6082002TP	42	2	SS6110810TP	40	18	SS7110840SP	60	1
SM6082002TP	66	2	SS6111010SP	52	12	SS7110840SP	62	30
SM6082502TP	24	20	SS6111010TP	48	48	SS7110910SP	10	9
SM8050502TP	18	6	SS6111010TP	50	25	SS7110910TP	10	15
SM8050602TP	14	86	SS6111140SP	4	65	SS7110910TP	12	41
SM8050602TP	40	20	SS6111140SP	28	34	SS7110910TP	18	25
SM8050612TP	20	52	SS6111210SP	8	70	SS7110910TP	34	22
SM8052502TP	38	15	SS6111610SP	18	37	SS7110910TP	36	2
SM8060602TP	6	28	SS6111610SP	60	10	SS7111120SP	28	16
SM8080802TP	10	21	SS6120930TP	20	67	SS7111120TP	14	74
SM8080812TP	6	15	SS6121210TP	18	16	SS7111120TP	50	28
SM9061203SE	38	31	SS6121610TP	28	38	SS7111410SP	18	11
SQ1110401MZ	24	21-40	SS6121860SP	18	43	SS7111410SP	60	34
SQ1110401MZ	46	39	SS6151040SP	28	43	SS7111810SP	32	19
SQ1150451MZ	46	27	SS6151040SP	42	14	SS7111810SP	62	43
SS2090520SL	4	64	SS6151040SP	66	14	SS7111810TP	24	8
SS2090710TP	2	31	SS6151210SP	4	69	SS7112420SP	20	70
SS2110920TP	52	4	SS6151220SP	60	33	SS7120710SP	22	93
SS3090610SP	46	17	SS6151440SP	56	2	SS7120760SP	8	54
SS3090610SP	50	17	SS6151780SP	12	27	SS7120760SP	32	13
SS4080620TP	34	18	SS6151812TP	28	30	SS7120760SP	48	55
SS4110515SP	2	35	SS6151920SP	12	30	SS7120760SP	62	16
SS4110615SP	46	42	SS6152440SP	10	29	SS7150740SP	12	38
SS4110815SP	2	60	SS6153012TP	20	87	SS7150910TP	2	19
SS4110815SP	4	60	SS6153040SP	24	18	SS7151210SP	32	7
SS4110815SP	8	74	SS6153040SP	56	22	SS7151210SP	62	8
SS4110815SP	48	47	SS6661110SP	6	24	SS7151610SP	68	4
SS4110815SP	60	12	SS7060610SP	28	9	SS7621040SP	2	7
SS4111215SP	2	2	SS7080510TP	10	12	SS8110422TP	24	27
SS4120615SP	32	15	SS7090510SP	38	25	SS8110422TP	28	14
SS4120615SP	62	18	SS7090520TP	2	33	SS8110510SP	28	29
SS4150915SP	4	70	SS7090610SP	18	30	SS8110520TP	16	95
SS4150915SP	46	37	SS7090910TP	18	32	SS8111010TP	6	43
SS5090610SP	2	21	SS7091410SP	40	15	SS8150510TP	24	34
SS5110740TP	56	4	SS7110510SP	12	20	SS8150710SP	12	93
SS6090520SP	40	16	SS7110510SP	46	11	SS8150710SP	16	93

NUMERICAL INDEX OF PARTS

PART NO	PAGE	REF NO.	PART NO	PAGE	REF NO.
SS8150710TP	8	79	WP0531001SC	54	22
SS8150822TP	6	66	WP0612056SD	20	85
SS8150822TP	8	66	WP0621016SD	18	5
SS8150822TP	18	80	WP0621016SD	30	52
SS8150822TP	20	80	WP0621016SD	68	2
SS8151150SP	24	31	WP0641601SD	32	3
SS8151150TP	10	5	WP0641601SD	62	4
SS8151150TP	18	14	WP0650876SD	20	58
SS8151150TP	24	32	WP0850002SP	24	19
SS8151550SP	8	61	WP1612616SE	54	15
SS8660530TP	8	49-59	WS0510002KN	54	21
SS8660530TP	24	43	WS0610002KN	68	3
SS8660610TP	12	8	WS0610002KP	20	86
SS8660610TP	18	64	WS0610002KP	30	51
SS8660610TP	20	64	WT0530002KS	4	56
SS8660612TP	6	40			
SS8660612TP	12	3			
SS8660612TP	28	36			
SS8660670SP	24	36			
SS8660810TP	6	22			
SS8660810TP	24	39			
SS8661030SP	8	52			
SS9151440CP	18	4			
TA0550604R0	4	66			
TA0620504R0	4	38			
TA0750704R0	2	36			
TA0750704R0	8	80			
TA0750704R0	12	10			
TA0800704R0	56	31			
TA1050504R0	4	40			
TA1250504R0	2	58			
TA1250504R0	4	58			
TA1450404R0	2	9			
WP0320501SC	28	3			
WP0320501SC	56	12			
WP0371016SD	24	11			
WP0430800SC	28	11			
WP0450801SD	8	69			
WP0450801SD	50	29			
WP0482086SD	12	34			
WP0501016SD	32	29			
WP0501016SD	62	42			
WP0501046SC	12	18			
WP0501046SC	36	12			
WP0502616SD	22	97			