

MODEL : LU-1560N/LU-1560N-7

List No : 1340-08

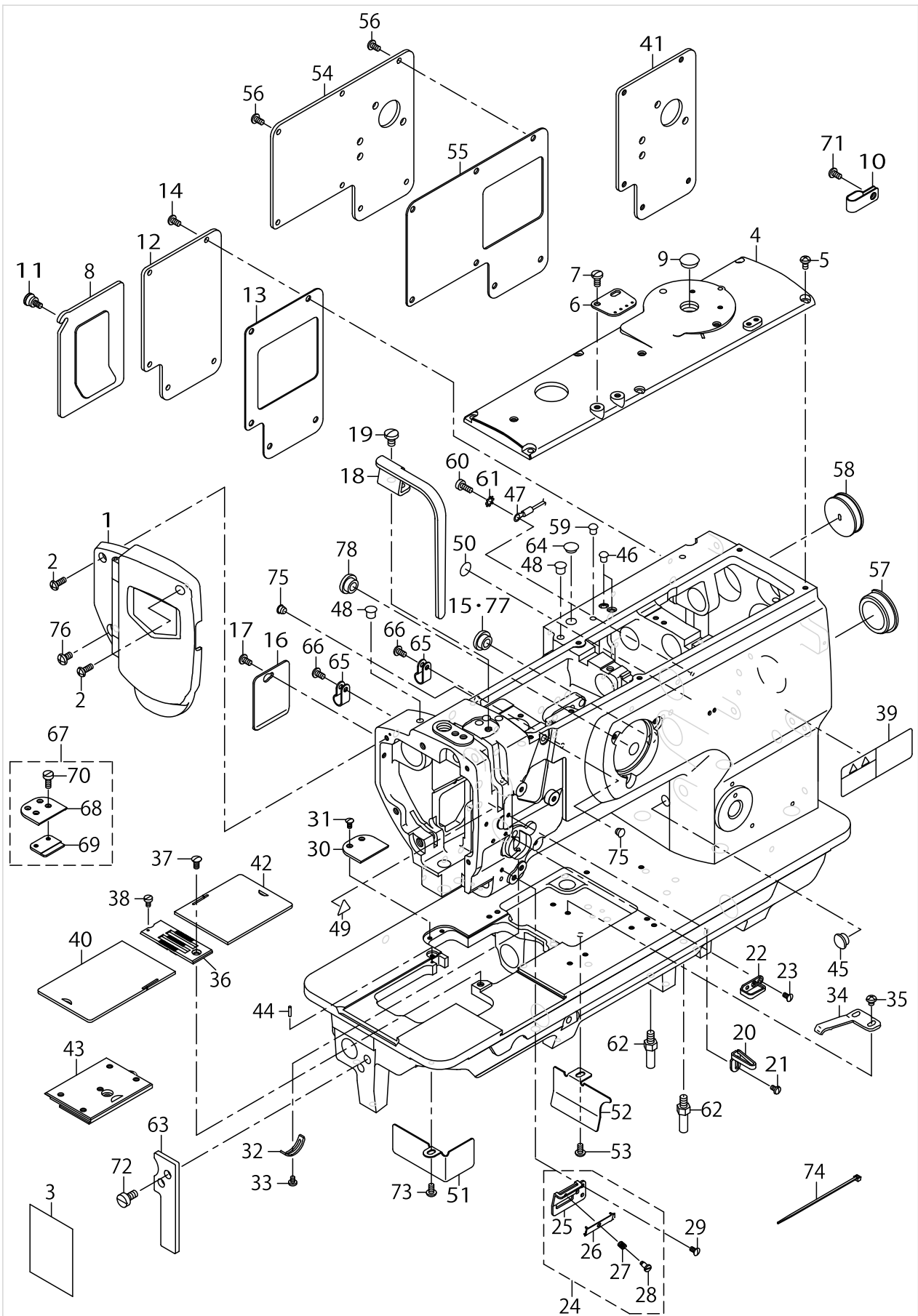
PARTS LIST

Published:05/12/2017

CONTENTS

FRAME & MISCELLANEOUS COVER COMPONENTS	1
UPPER SHAFT,LOWER SHAFT DRIVING & BALANCE COMPONENTS	5
NEEDLE BAR ROCKING COMPONENTS	9
PRESSURE ADJUSTING & UPPER FEED MECHANISM COMPONENTS.....	11
FEED MECHANISM COMPONENTS.....	17
HOOK SHAFT & LOWER SHAFT COMPONENTS	21
THREAD CUTTING COMPONENTS (FOR LU-1560N-7)	25
AUTOMATIC BACK COMPONENTS (FOR LU-1560N-7)	29
THREAD TENSION COMPONENTS	31
THREAD RELEASE COMPONENTS (FOR LU-1560N-7).....	33
KNEE LIFTING COMPONENTS	35
LOWER THREAD WINDER MECHANISM COMPONENTS	37
AUTOMATIC PRESSER LIFTING MECHANISM COMPONENTS (FOR LU-1560N-7).....	39
AIR MECHANISM COMPONENTS (FOR LU-1560N-7)	41
LUBRICATION COMPONENTS	43
THREAD STAND COMPONENTS.....	47
OPTIONAL PARTS (ADDITIONAL SPRING FOR PRESSER BAR) COMPONENTS	49
AUTOMATIC BACK COMPONENTS (OPTIONAL PARTS).....	51
AUTOMATIC PRESSER LIFTING MECHANISM COMPONENTS (OPTIONAL PARTS).....	55
BELT COVER & OIL RESERVOIR COMPONENTS.....	57
DL MECHANISM COMPONENTS (OPTIONAL PARTS).....	59
SUSPENSION SQUARE COMPONENTS (OPTIONAL PARTS)	61
ACCESSORIES PARTS COMPONENTS	63
TABLE OF EXCHANGING GAUGE PARTS.....	65
LIST FOR INFORMATION OF CHANGE.....	71
HOW TO MAKE USE OF THIS PARTS LIST	72

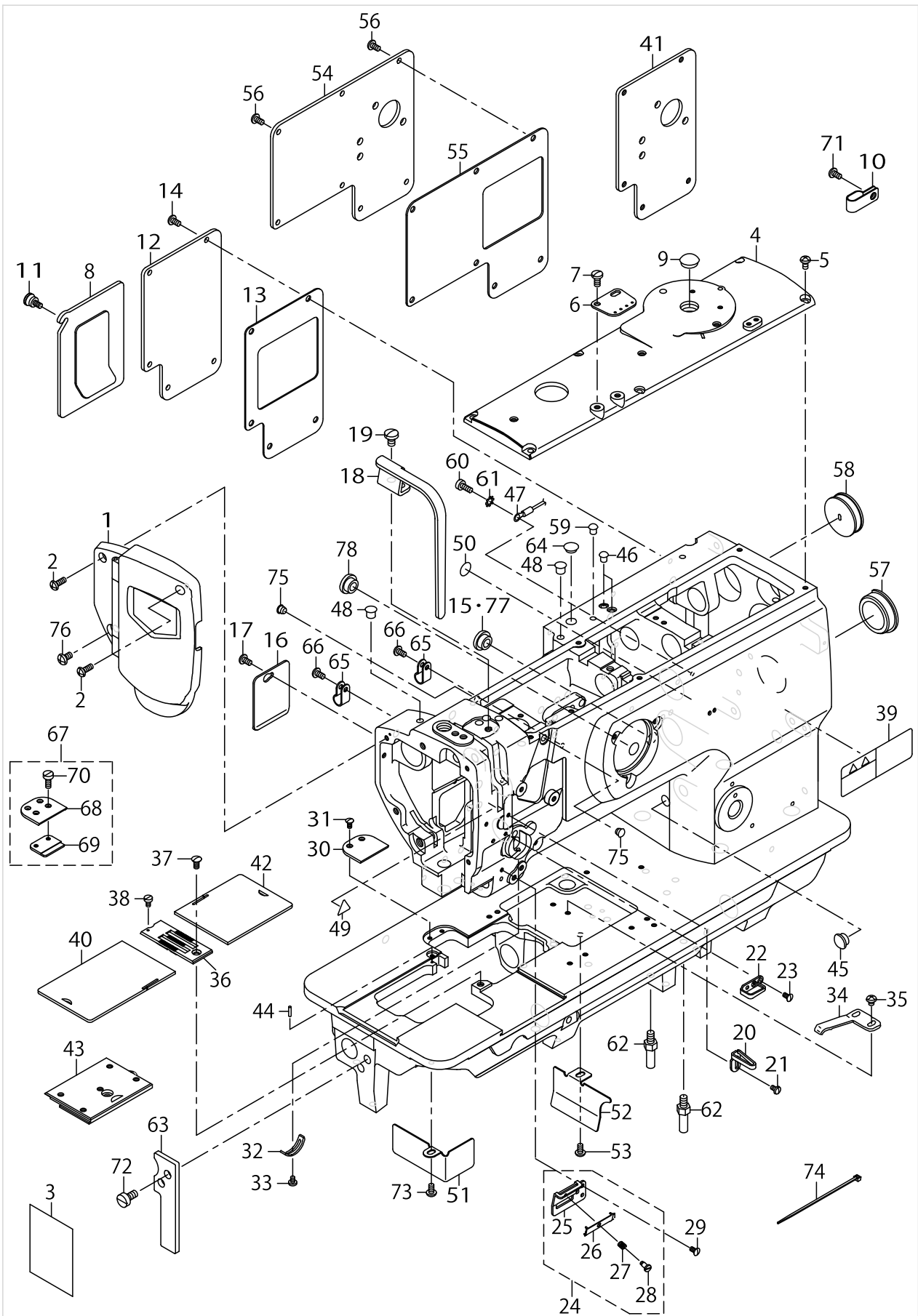
FRAME & MISCELLANEOUS COVER COMPONENTS



FRAME & MISCELLANEOUS COVER COMPONENTS

No.	Supply Code	Parts No.	Replacement	Parts name	Remarks	Choice	Step	Level	Cons	Qty	Rep. QTY
1		40016798		FACE PLATE ASM.						1	
2		SS4111215SP		SCREW11/64-40L=12						2	
3		40019114		LUBRICATION SUPPLEMENT						1	
4		21331301		TOP COVER B						1	
5		SS4110815SP		SCREW 11/64-40 L=8						6	
6		21355904		ARM THREAD GUIDE						1	
7		SS7621040SP		SCREW 3/16-32 L=9.5						2	
8		21331756		WINDOW PLATE A ASM.	FOR LU-1560N					1	
9		TA1450404R0		RUBBER PLUG D=14.5 L=4	FOR LU-1560N					1	
10		D2112555B00		CORD HOLDER LARGE	FOR LU-1560N-7					1	
11		21331202		SETSCREW	FOR LU-1560N					1	
12		21331806		WINDOW PLATE B	FOR LU-1560N					1	
13		21332002		WINDOW PLATE PACKING B	FOR LU-1560N					1	
14		SS4110815SP		SCREW 11/64-40 L=8	FOR LU-1560N					5	
15		TA1250504R0		RUBBER PLUG						2	
16		21332309		SIDE COVER	FOR LU-1560N					1	
17		SS4110815SP		SCREW 11/64-40 L=8	FOR LU-1560N					1	
18		21331608		BALANCE COVER						1	
19		SS7150910TP		SCREW 15/64-28 L=9						1	
20		40108674		THREAD GUIDE						1	
21		SS5090610SP		SCREW 9/64-40 L=6						1	
22		40108675		FRAME THREAD GUIDE						1	
23		SS2090710TP		SCREW 9/64-40 L=7.2						1	
24		21408554		THREAD GUIDE ASM.						1	
25	R	21408505	21408554	THREAD GUIDE PLATE				*		1	1.00
26		17912106		NEEDLE THREAD PRESSER PLATE				*		1	
27		B1132521000		THREAD PRESSER PLATE SPRING				*		1	
28		SD0380551SL		HINGE SCREW D=3.80 H=5.5				*		1	
29		SS2090710TP		SCREW 9/64-40 L=7.2						1	
30		22651202		AUXILIARY COVER	FOR LU-1560N-7					1	
31		SS2090710TP		SCREW 9/64-40 L=7.2						2	
32		B3138512000		TAKE-UP SPRING A-DJUSTING PLATE						1	
33		SS7090520TP		SCREW 9/64-40 L=4.5						1	
34		B1111563000		BED SLIDE SPRING						1	
35		SS4110515SP		SCREW 11/64-40 L=5						2	
36		21366406		NEEDLE PLATE 3/8	EXCHANGI-NG GAUGE PARTS					1	
37		SS2110920TP		SCREW 11/64-40 L=8.5						1	
38	R	SS6090630SP	SS6090630TP	SCREW 9/64-40 L=6						1	1.00
39		CM301300001		SAFETY LABEL						1	
40		21365606		BED SLIDE(LEFT) A	SELECTIVE PARTS					1	
41		21348909		WIDOW PLATE D	OPTIONAL PARTS					1	
42		21365002		BED SLIDE(RIGHT) A	SELECTIVE PARTS					1	
43		22650055		BED SLIDE ASM.						1	
44		B1104051000		THROAT PLATE PIN						1	
45		TA1050504R0		RUBBER PLUG						1	

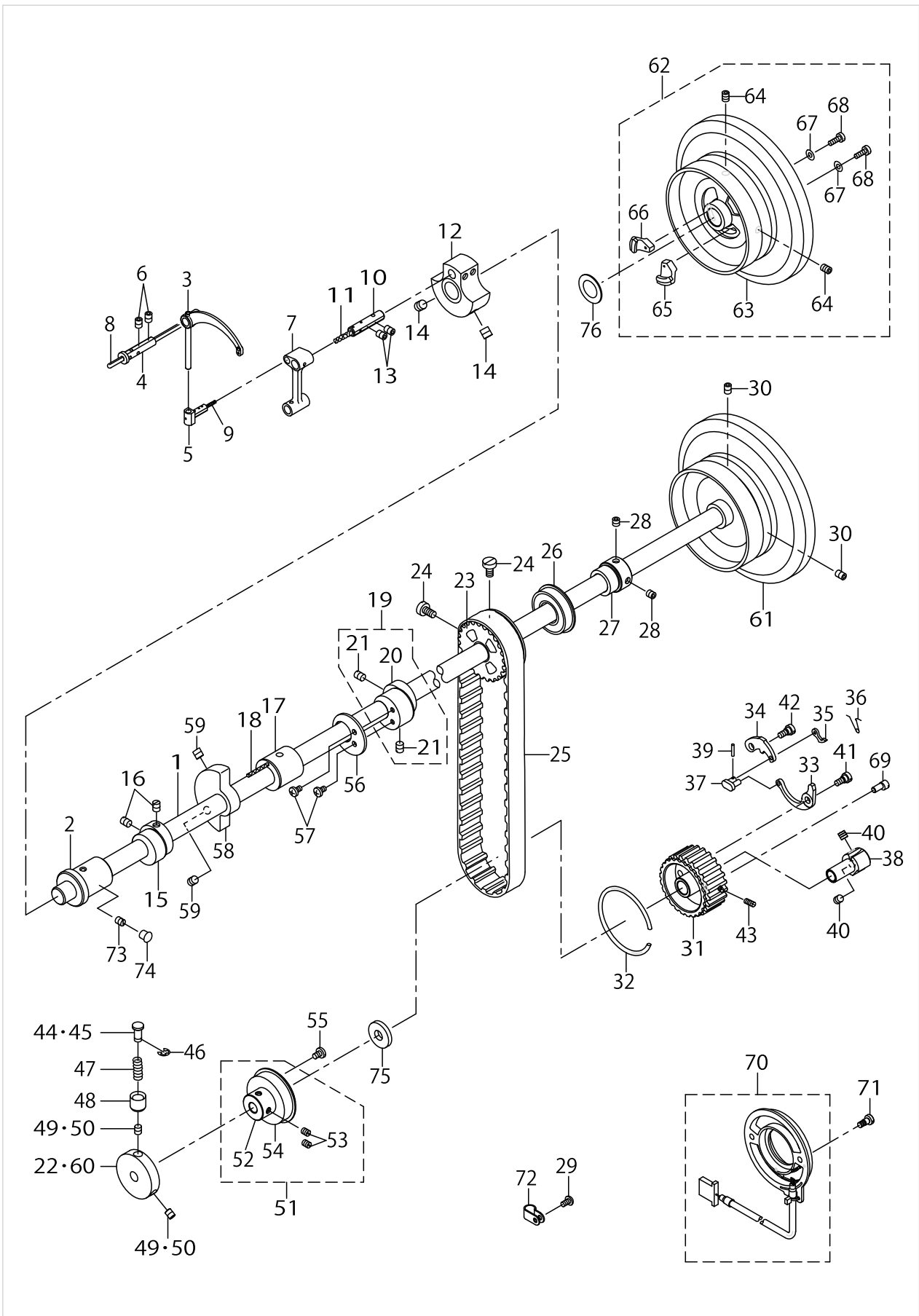
FRAME & MISCELLANEOUS COVER COMPONENTS



FRAME & MISCELLANEOUS COVER COMPONENTS

No.	Supply Code	Parts No.	Replacement	Parts name	Remarks	Choice	Step	Level	Cons	Qty	Rep. QTY
46		TA0550604R0		RUBBER PLUG						2	
47		22951552		GROUND WIRE ASM.	FOR LU-1560N-7					1	
48		TA0750704R0		RUBBER PLUG						2	
49		CM300200001		ATTENTION SEAL						1	
50		22901805		GROUND MARK						1	
51		21332200		OIL SHIELD (LEFT)						1	
52	D	22877609		DUST COVER	FOR LU-1560N					1	
53		SS4110815SP		SCREW 11/64-40 L=8	FOR LU-1560N					1	
54		40107950		WINDOW PLATE C	FOR LU-1560N-7					1	
55		21332101		WINDOW PLATE PACKING C	FOR LU-1560N-7					1	
56		SS4110815SP		SCREW 11/64-40 L=8	FOR LU-1560N-7					6	
57		22619100		CAP						1	
58		10201200		RUBBER PLUG						1	
59		TA0550604R0		RUBBER PLUG	FOR LU-1560N-7					1	
60		SS6111140SP		SCREW 11/64-40 L=11	FOR LU-1560N-7					1	
61		WT0530002KS		TOOTHED WASHER D=5.3	FOR LU-1560N-7					1	
62		22602601		BED SCREW STUD						2	
63		21361407		BED SUPPORT PLATE						1	
64		TA1250504R0		RUBBER PLUG						1	
65		HX00123000A		CABLE CLIP	FOR LU-1560N-7					2	
66		SS4110815SP		SCREW 11/64-40 L=8	FOR LU-1560N-7					2	
67		23208556		AUXILIARY COVER ASM.	FOR LU-1560N					1	
68		23208507		AUXILIARY COVER	FOR LU-1560N			*		1	
69	R	23208606	23208556	SLIDING PLATE SUPPORT	FOR LU-1560N			*		1	1.00
70		SS6111140SP		SCREW 11/64-40 L=11	FOR LU-1560N			*		2	
71		SS4110815SP		SCREW 11/64-40 L=8	FOR LU-1560N-7					1	
72		SS6151210SP		SCREW 15/64-28 L=12						2	
73		SS4110815SP		SCREW 11/64-40 L=8						1	
74		EA9500B0100		CABLE BAND	FOR LU-1560N-7					1	
75		TA0620504R0		CAP	FOR LU-1560N					2	
76		SS4150915SP		SCREW 15/64-28 L=9						1	
77		TA1250504R0		RUBBER PLUG	FOR LU-1560N-7					1	
78		10622009		COAD BUSH	FOR LU-1560N-7					1	

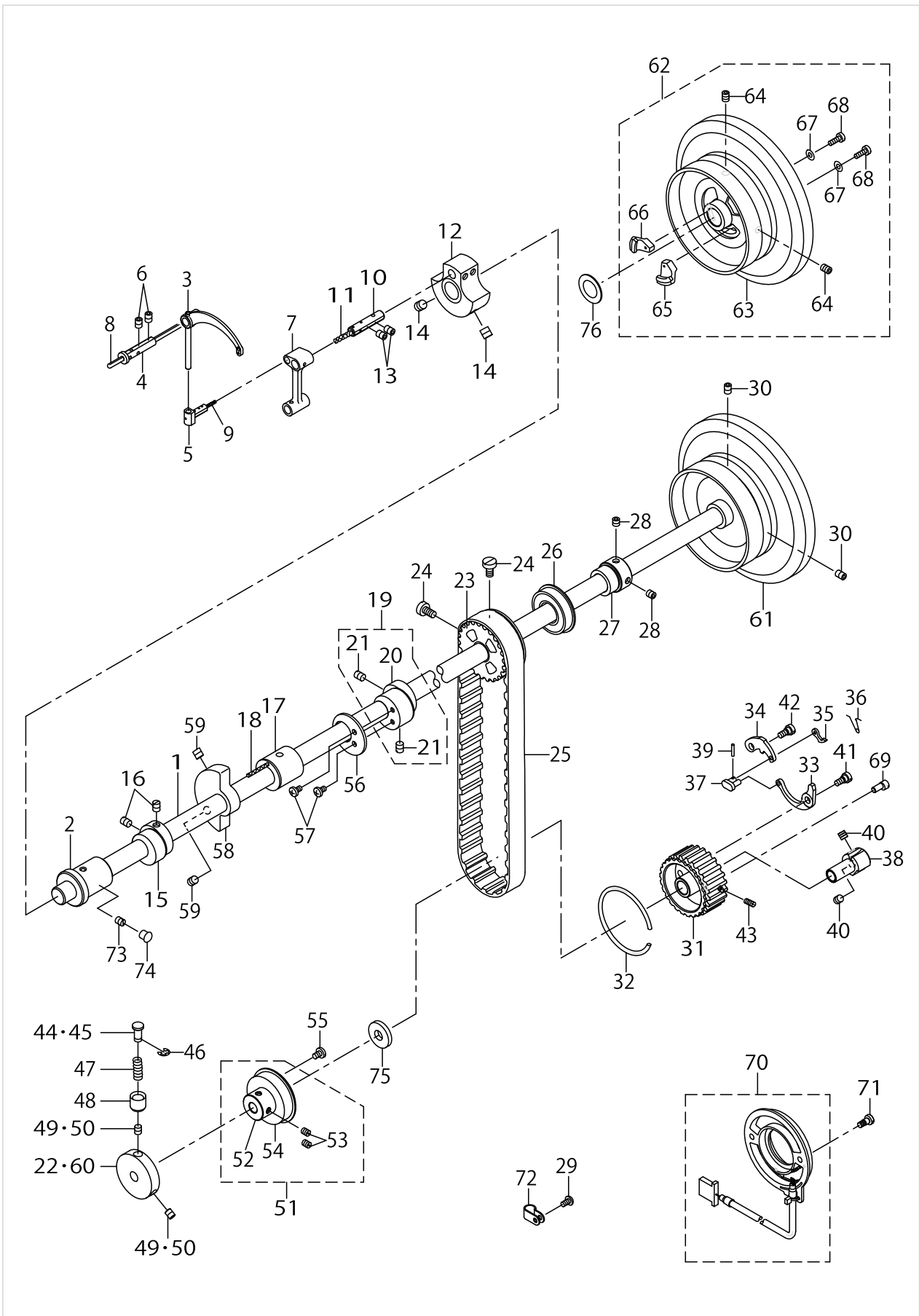
UPPER SHAFT, LOWER SHAFT DRIVING & BALANCE COMPONENTS



UPPER SHAFT,LOWER SHAFT DRIVING & BALANCE COMPONENTS

No.	Supply Code	Parts No.	Replacement	Parts name	Remarks	Choice	Step	Level	Cons	Qty	Rep. QTY
1		21332705		UPPER SHAFT						1	
2		21333000		UPPER SHAFT FRONT METAL						1	
3		B1905520000		THREAD TAKE-UP LEVER						1	
4		B1906051000		TAKE-UP LEVER PIN						1	
5		B1907057000		THRUST PIN						1	
6		SS8150822TP		SCREW 15/64-28 L=8						2	
7		21339106		NEEDLE BAR CRANK ROD						1	
8		CQ303000000		OIL WICK						.45	
9		CQ202000000		OIL WICK						.03	
10		B1210051000		NEEDLE BAR CRANK PIN						1	
11		CQ505000000		OIL WICK						.03	
12		21332507		COUNTER WEIGHT (A) (36MM)						1	
13		SS8150822TP		SCREW 15/64-28 L=8						2	
14		SM8080812TP		SCREW M8X8						2	
15	R	21339502	21339551	UPPERFEEDCAM(3.5)	FOR LU-1560N					1	1.00
16		SS8660810TP		SCREW 1/4-40 L=8	FOR LU-1560N					2	
17		21333109		UPPER SHAFT INNER METAL						1	
18		CQ202000000		OIL WICK						.15	
19		21336557		ECCENTRIC CAM A ASM.						1	
20	R	21336508	21336557	ECCENTRIC CAM A				*		1	1.00
21		SS8660810TP		SCREW 1/4-40 L=8				*		2	
22		21333703		SAFETY CLUTCH DISC	FOR LU-1560N					1	
23		40038692		UPPER SPROCKET						1	
24		SS6661110SP		SCREW 1/4-40 L=11						2	
25		22604300		TIMING BELT						1	
26		40143083		BEARING						1	
27		21402300		UPPER SHAFT BEARING HOOK						1	
28		SM8060602TP		SCREW M6X6						2	
29		SS4110815SP		SCREW 11/64-40 L=8	FOR LU-1560N-7					1	
30		SS8150822TP		SCREW 15/64-28 L=8						2	
31		21387501		LOWER SPROCKET						1	
32		B1214019000		SPROCKET RING						1	
33		21387709		SAFETY CLUTCH SPRING						1	
34		21387600		SAFETY CLUTCH HOOK						1	
35		B1308055000		SAFETY CLUTCH COUNTER-HOOK						1	
36		40113224		COUNTER HOOK SPRING						1	
37		B1310055000		SAFETY CLUTCH SMALL LINK						1	
38		21387808		SAFETY BASE						1	
39		B1314055000		SAFETY CLUTCH SMALL LINK PIN						1	
40		SS8660612TP		SCREW 1/4-40 L=6						2	
41		SD0640322TP		HINGE SCREW D=6.35 H=3.2						1	
42		SD0640322TP		HINGE SCREW D=6.35 H=3.2						1	
43		SS8111010TP		SCREW 11/64-40 L=9.5						1	
44		B1312563000A		SAFETY CLUTCH PUSH BUTTON	FOR LU-1560N					1	
45		40104367		SAFETY CLUTCH PUSH BUTTON	FOR LU-1560N-7					1	
46		RE0500000K0		E-RING						1	

UPPER SHAFT, LOWER SHAFT DRIVING & BALANCE COMPONENTS



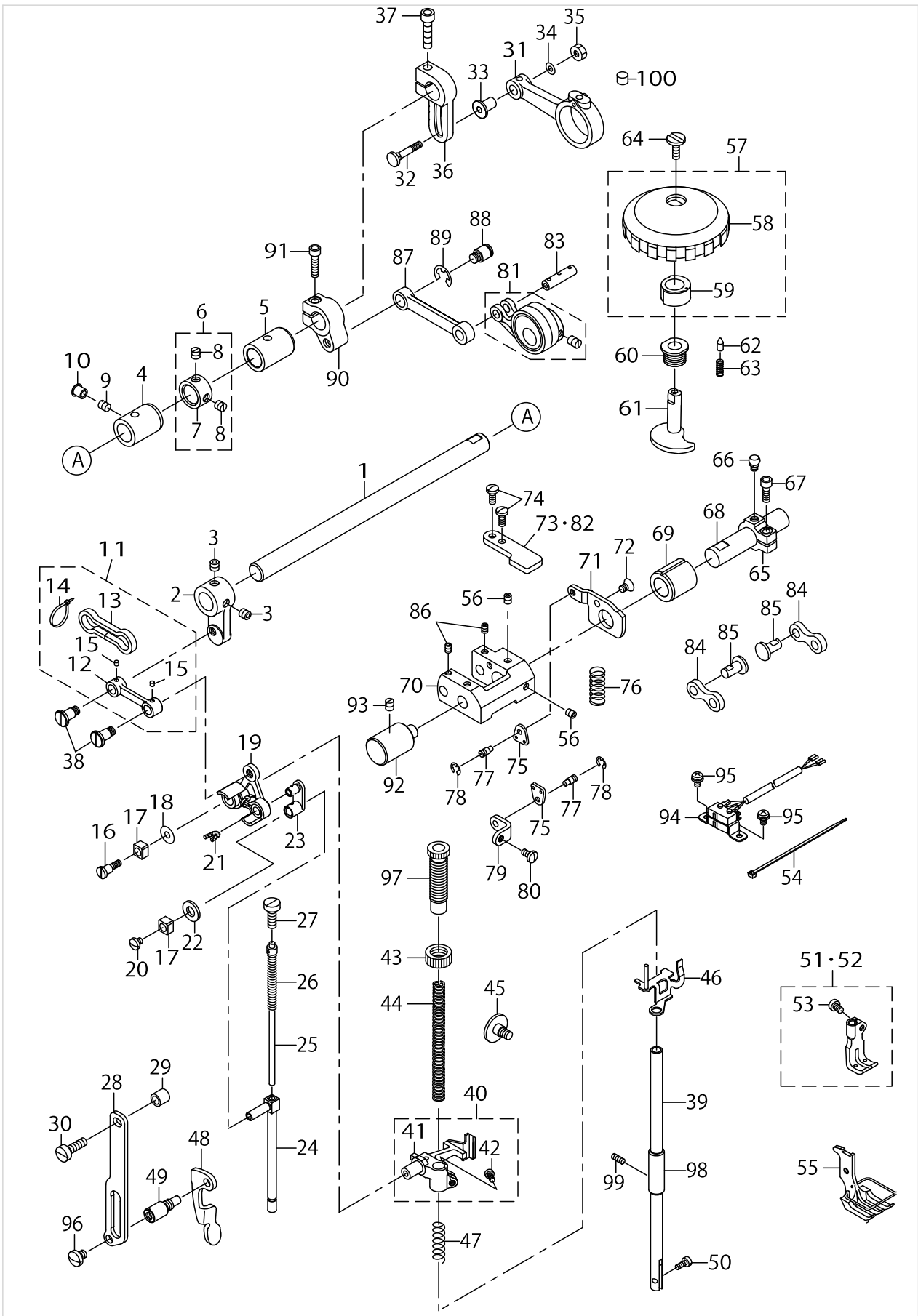
UPPER SHAFT,LOWER SHAFT DRIVING & BALANCE COMPONENTS

No.	Supply Code	Parts No.	Replacement	Parts name	Remarks	Choice	Step	Level	Cons	Qty	Rep. QTY
47		B1639051000		SPRING						1	
48		B1313055000		SAFETY CLUTCH KNOB SLEEVE						1	
49		SS8150710TP		SCREW 15/64-28 L=7	FOR LU-1560N					2	
50		SS8660530TP		SCREW 1/4-40 L=4.5	FOR LU-1560N-7					2	
51		40038700		THRUST COLLAR ASM.						1	
52	R	40038702	40038700	THRUST COLLAR				*		1	1.00
53		SS8661030SP		SCREW 1/4-40 L=10				*		2	
54		SB120000200		BEARING 20X42				*		1	
55		SS7120760SP		SCREW 3/16-28 L=7.0						2	
56		21353008		HORIZONTAL FEED CAM COVER						1	
57		SS7110710SP		SCREW 11/64-40 L=7						2	
58		21333406		BALANCER	FOR LU-1560N					1	
59		SS8151550SP		SCREW 15/64-28 L=15	FOR LU-1560N					2	
60		21333901		SAFETY CLUTCH DISC	FOR LU-1560N-7					1	
61		21334008		FLYWHEEL	FOR LU-1560N					1	
62		21427059		FLYWHEEL ASM.						1	
63	R	21427000	21427059	FLYWHEEL				*		1	1.00
64		SS8150822TP		SCREW 15/64-28 L=8				*		2	
65		M40071100AA		MAGNET FITTING BASE A ASM.				*		1	
66		M40071100AB		MAGNET FITTING BASE B ASM.				*		1	
67		WP0450801SD		WASHER 4.5X10X0.8				*		2	
68		SS6111210SP		SCREW 11/64-40 L=12				*		2	
69		21387907		ADJUSTING PIN (1.2)						1	
70		40024855		CONTAIN SYNCHRO ASM.	FOR LU-1560N-7					1	
71		10604809		SCREW	FOR LU-1560N-7					2	
72		HX00123000A		CABLE CLIP	FOR LU-1560N-7					1	
73		SS8150710TP		SCREW 15/64-28 L=7						1	
74		TA0750704R0		RUBBER PLUG						1	
75		40016148		THRUST COLLAR B WASHER						1	
76		22606206		SPACER Y						1	

NEEDLE BAR ROCKING COMPONENTS

No.	Supply Code	Parts No.	Replacement	Parts name	Remarks	Choice	Step	Level	Cons	Qty	Rep. QTY
1		21362504		NEEDLE BAR FRAME						1	
2		21405204		HINGE STUD						1	
3		22814909		FELT						1	
4		B1437051000		OIL WICK RETAINER						1	
5		SS8151150TP		SCREW 15/64-28 L=10.5						1	
6		22814909		FELT						1	
7		B1401518000		NEEDLE BAR						1	
8		B1411521000		NEEDLERODHOLDER						1	
9	R	SS7090910SP	SS7090910TP	SCREW 9/64-40 L=8.5						1	1.00
10		B1412051000		FELT						1	
11		21368451		NEEDLE CLAMP 3/8 ASM.	EXCHANGI- NG GAUGE PARTS					1	
12		SS6090410TP		SCREW 9/64-40 L=3.5				*		2	
13		M13517B1600		NEEDLE 135X17 #160						2	
14		B1467563000		UPPER FEED BAR GUIDE						1	
15		SS7110910TP		SCREW 11/64-40 L=8.5						2	
16		21388400		ROCKING BASE GUIDE						1	
17		SS7110830SP		SCREW 11/64-40 L=7.5						2	
18		21338603		ROCKING BASE GUIDE (B)						1	
19		SS6091022TP		SCREW						2	
20		21338801		ROCKINGFRONTARM						1	
21		SM8080802TP		SCREW						2	
22		21338900		ROCKING SHAFT						1	
23		B1414232000		SQUARE BLOCK						1	
24		B1410771000		STUD						1	
25		21339304		ROCKING SHAFT FRONT METAL						1	
26		40027746		BUSHING REAR						1	
27		21339056		ROCKING REAR ARM ASM.						1	
28		21339007		ROCKING REAR ARM				*		1	
29		SS6152440SP		SCREW 15/64-28 L=23.5				*		1	
30		21347406		ROCKING REAR ARM FELT				*		1	
31		EA9500B0100		CABLE BAND				*		2	
32		CQ202000000		OIL WICK						.05	

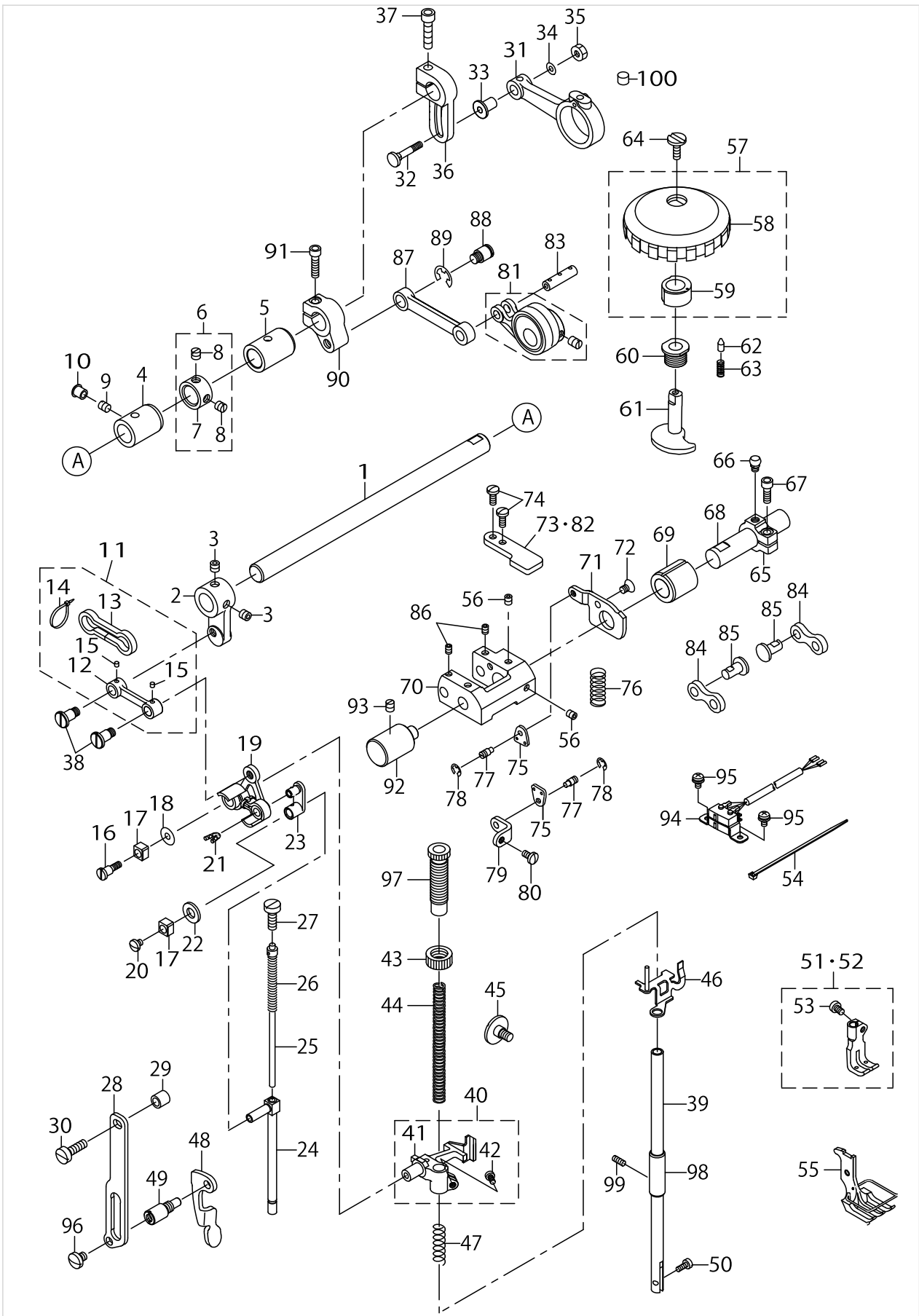
PRESSURE ADJUSTING & UPPER FEED MECHANISM COMPONENTS



PRESSURE ADJUSTING & UPPER FEED MECHANISM COMPONENTS

No.	Supply Code	Parts No.	Replacement	Parts name	Remarks	Choice	Step	Level	Cons	Qty	Rep. QTY
1		21340401		UPPER FEED SHAFT						1	
2		21340500		UPPER FEED FRONT ARM						1	
3		SS8660612TP		SCREW 1/4-40 L=6						2	
4		40039326		FRONT METAL						1	
5		21378302		FEED SHAFT METAL						1	
6		22904155		MAIN SHAFT THRU-ST COLLAR ASM.						1	
7	R	22904106	22904155	MAIN SHAFT THRUST COLLAR				*		1	1.00
8		SS8660610TP		SCREW 1/4-40 L=6				*		2	
9	R	SS8150710SP	SS8150710TP	SCREW 15/64-28 L=7						1	1.00
10		TA0750704R0		RUBBER PLUG						1	
11		40033027		UPPER FEED LINK ASM.						1	
12		40033026		UPPER FEED LINK				*		1	
13		21347109		FELT				*		1	
14		EA9500B0000		CLIP CV-70S				*		2	
15		CQ3000000F0		OIL FELT				*		0.-0028	
16		40018339		SCREW						1	
17		B1414555000		SLIDE BLOCK						2	
18		WP0501046SC		WASHER 5X13X1						1	
19		40033029		TRIANGULAR LEVER ASM.						1	
20		SS7110510SP		SCREW 11/64-40 L=5						1	
21		CQ252000000		OIL WICK						.02	
22		10509701		FELT						1	
23		40018341		WALKING BAR DRIVING LINK						1	
24		40033030		WALKING BAR A						1	
25		B14670530A0		WALKING BAR ASM.						1	
26		B1468053000		WALKING BAR SPRING						1	
27		SS6151780SP		SCREW 15/64-28 L=17.0						1	
28		21406509		UPPER FEED GUIDE PLATE						1	
29		26225201		ROLLER						1	
30		SS6151920SP		SCREW 15/64-28 L=19.0						1	
31		21340104		UPPER FEED ROD	FOR LU-1560N					1	
32		D1456055B00		HINGE SCREW	FOR LU-1560N					1	
33		D1455055B00		CONNECTING STUD	FOR LU-1560N					1	
34		WP0482086SD		WASHER 4.8X11.5X2	FOR LU-1560N					1	
35		NS6110530SP		NUT 11/64-40	FOR LU-1560N					1	
36		21437900		UPPER FEED REAR ARM	FOR LU-1560N					1	
37		SM6062502TP		SCREW M6 L=25	FOR LU-1560N					1	
38		40018340		SCREW						2	
39		B1501241H00		PRESSER BAR						1	
40		40033032		PRESSER BAR HOLDER A ASM.						1	
41		40033031		PRESSER BAR HOLDER A				*		1	
42		SS7110910TP		SCREW 11/64-40 L=8.5				*		1	
43	R	22907604	22907554	PRESSER SPRING REGULATOR NUT						1	1.00
44		B1502246000		PRESSER SPRING						1	
45		SD0800481SP		HINGE SCREW D=8 H=4.9						1	

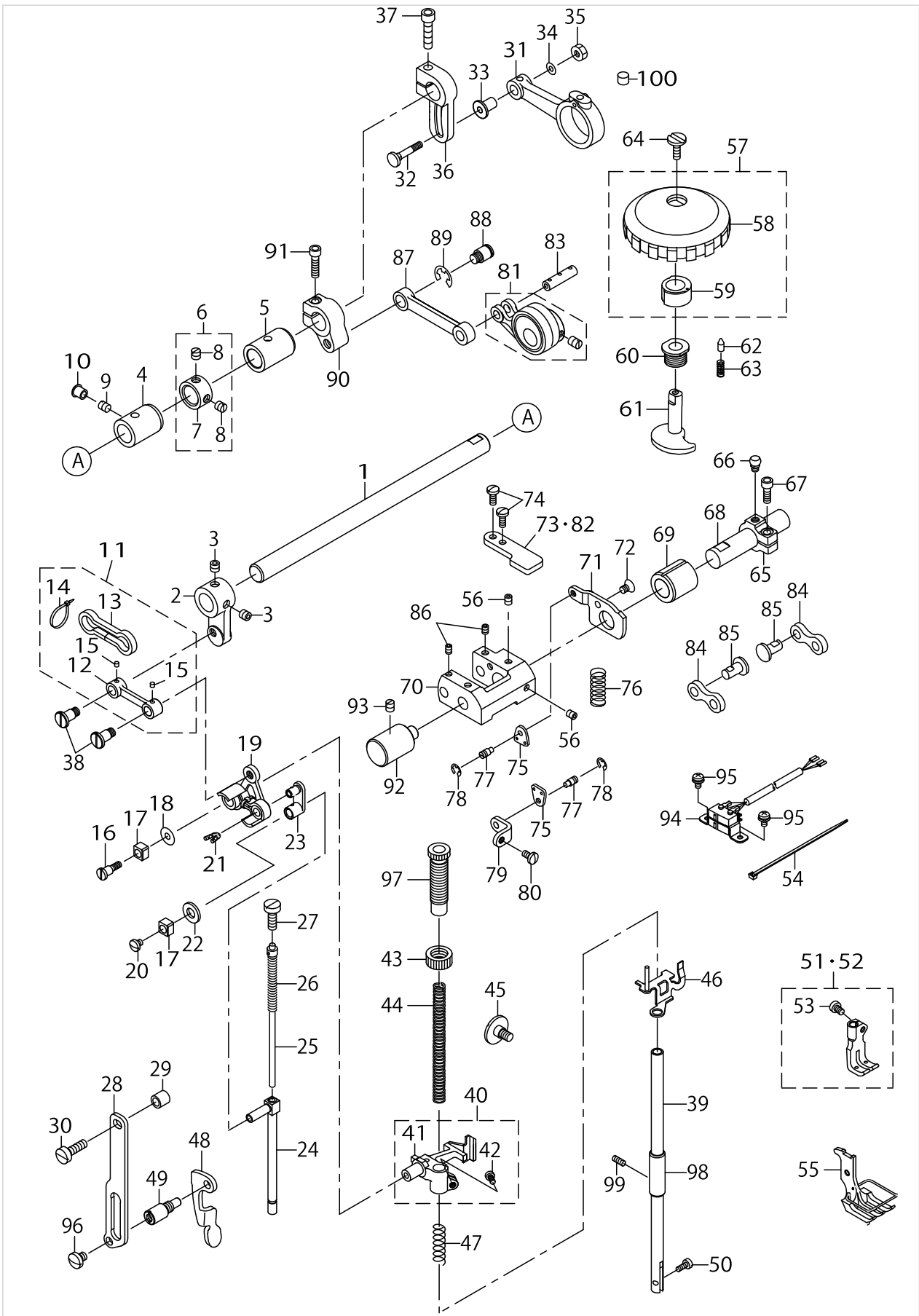
PRESSURE ADJUSTING & UPPER FEED MECHANISM COMPONENTS



PRESSURE ADJUSTING & UPPER FEED MECHANISM COMPONENTS

No.	Supply Code	Parts No.	Replacement	Parts name	Remarks	Choice	Step	Level	Cons	Qty	Rep. QTY
46		21341151		HOLDING PLATE COMPL.						1	
47		B1462053000		THREAD RELEASE SPRING						1	
48		21406103		PRESSER LIFTER LEVER						1	
49		21406608		GUIDE PLATE SPACER						1	
50		SS6090910TP		SCREW 9/64-40 L=9						1	
51		21372651		WALKING FOOT 1-1/4 ASM.	EXCHANGI- NG GAUGE PARTS					1	
52		21367453		WALKING FOOT ASM.						1	
53		SS6110710TP		SCREW 11/64-40 L= 6.5				*		1	
54		EA9500B0100		CABLE BAND	FOR LU-1560N-7					1	
55		21367958		PRESSER FOOT ASM. 3/8						1	
56		SM8050602TP		SCREW M5 L=6	FOR LU-1560N-7					2	
57		10774354		UPPER AND LOWER DIAL ASM.	FOR LU-1560N-7					1	
58	R	10774305	10774354	VERTICAL DIAL				*		1	1.00
59		10774404		VERTICAL CAM				*		1	
60		10715100		VERTICAL DIAL SHAFT BUSHING	FOR LU-1560N-7					1	
61		40108542		VERTICAL ADJUSTING CAM	FOR LU-1560N-7					1	
62		10715704		VERTICAL DIAL PIN	FOR LU-1560N-7					1	
63		B152652700G		SPRING	FOR LU-1560N-7					1	
64		SS6110630TP		SCREW 11/64-40 L=6	FOR LU-1560N-7					1	
65		21341607		VERTICAL ADJUSTING ARM	FOR LU-1560N-7					1	
66		10715308		PIN	FOR LU-1560N-7					1	
67		SM6051402TP		SCREW M5X0.8 L=14	FOR LU-1560N-7					1	
68		21341508		VERTICAL CHANGE BASE SHAFT	FOR LU-1560N-7					1	
69		10718203		FEED SHAFT FRONT METAL	FOR LU-1560N-7					1	
70		10714202		VERTICAL CHANGE BELT	FOR LU-1560N-7					1	
71		21339601		UPPER FEED STOPPER PLATE (A)	FOR LU-1560N-7					1	
72	R	SM1050801SR	SM1050801SC	SCREW M5 L=8	FOR LU-1560N-7					1	1.00
73		21339700		UPPER FEED STOPPER PLATE (B)						1	
74		SS7111120TP		SCREW						2	
75		10713501		SPRING HOOK	FOR LU-1560N-7					2	
76		10716504		VERTICAL SHAFT SPRING	FOR LU-1560N-7					1	
77		B3416552000		CONNECTING ROD HINGE SCREW	FOR LU-1560N-7					2	
78		RE0500000K0		E-RING	FOR LU-1560N-7					2	
79		21339809		UPPER FEED DOG SPRING HOOK	FOR LU-1560N-7					1	
80		SS7110830SP		SCREW 11/64-40 L=7.5	FOR LU-1560N-7					1	
81		40075553		ECCENTRIC ROD(SET)	FOR LU-1560N-7					1	
82		21438205		UPPER FEED STOPPER PLATE	FOR LU-1560N-7					1	
83		10713808		CONNECTION LINK PIN B	FOR LU-1560N-7					1	
84		40107949		CONNECTION LINK B	FOR LU-1560N-7					2	
85	R	10714608	40052263	CONNECTION LINK B SUPPORT PIN	FOR LU-1560N-7					2	1.00
86		SM8050602TP		SCREW M5 L=6	FOR LU-1560N-7					2	
87		21340005		UPPER FEED LINK (B)	FOR LU-1560N-7					1	
88		21048707		HINGE SCREW	FOR LU-1560N-7					1	
89		RE0800000K0		E-SHAPED SNAP RING (8MM)	FOR LU-1560N-7					1	
90		21340302		UPPER FEED REAR ARM (B)	FOR LU-1560N-7					1	

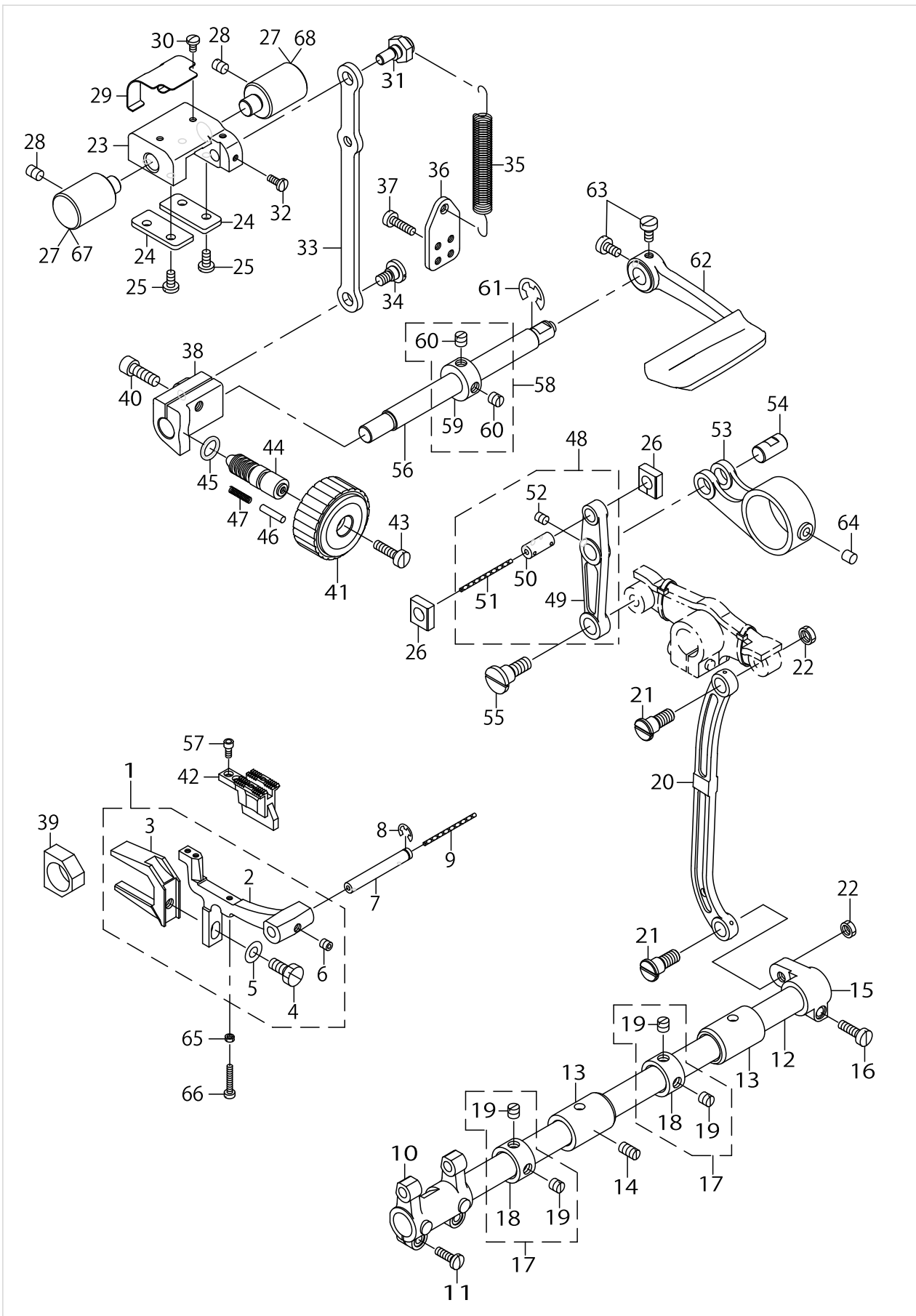
PRESSURE ADJUSTING & UPPER FEED MECHANISM COMPONENTS



PRESSURE ADJUSTING & UPPER FEED MECHANISM COMPONENTS

No.	Supply Code	Parts No.	Replacement	Parts name	Remarks	Choice	Step	Level	Cons	Qty	Rep. QTY
91		SM6052002TP		SCREW M5 L=20	FOR LU-1560N-7					1	
92		21337803		FEED ADJUSTING BASE SUPPORT	FOR LU-1560N-7					1	
93	R	SS8150710SP	SS8150710TP	SCREW 15/64-28 L=7	FOR LU-1560N-7					1	1.00
94		40024852		VERTICAL DETECT-OR SWITCH ASM.	FOR LU-1560N-7					1	
95		SL4040881SC		SCREW M4 L=8	FOR LU-1560N-7					2	
96		SS7150740SP		SCREW 15/64-28 L=7						1	
97		21340906		PRESSER ADJUSTING SCREW						1	
98		B1510155000		PRESSER BAR LOWER BUSHING						1	
99		SS8111010TP		SCREW 11/64-40 L=9.5						1	
100		22814909		FELT						1	

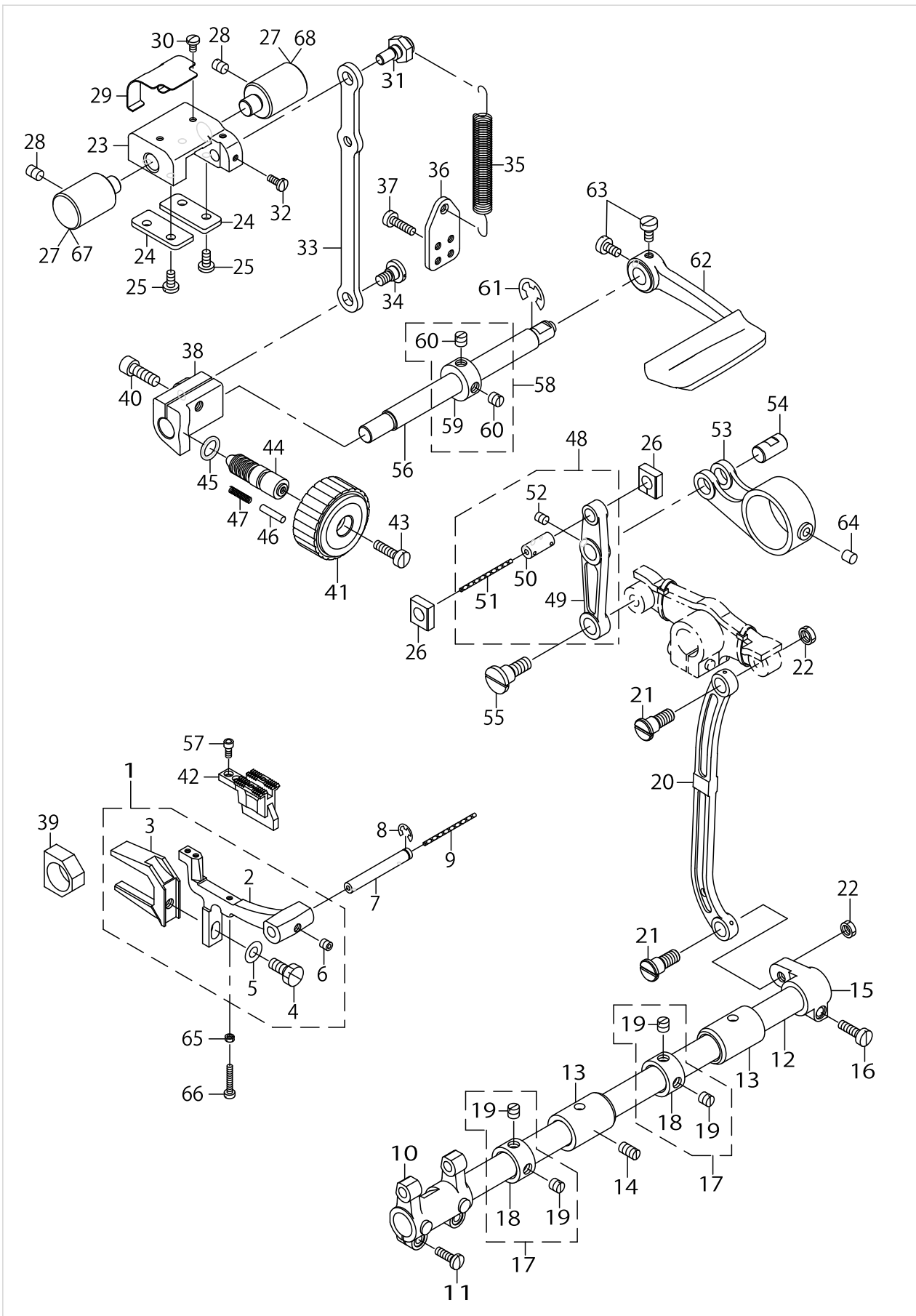
FEED MECHANISM COMPONENTS



FEED MECHANISM COMPONENTS

No.	Supply Code	Parts No.	Replacement	Parts name	Remarks	Choice	Step	Level	Cons	Qty	Rep. QTY
1		21364252		FEED BASE ASM.						1	
2	R	21364203	21364252	FEED BASE				*		1	1.00
3	R	10107902	40039258	FEED BAR FORK		A	PLC-17*	*		1	1.00
3	R	10107902	21336060	FEED BAR FORK		B	LU-1510N-7 NA-7	*		1	1.00
3	R	10107902	21364252	FEED BAR FORK		C	LU-1560N N-7 LU-1565	*		1	1.00
3	R	10107902	21393459	FEED BAR FORK		D	LU-1520N-7	*		1	1.00
3	R	10107902	23003353	FEED BAR FORK		E	PLC-16*	*		1	1.00
3	R	10107902	21336052	FEED BAR FORK		G	LU-1510/1510-7	*		1	1.00
3	R	10107902	22609762	FEED BAR FORK				*		1	1.00
4		SS9151440CP		SCREW15/64-28L=14				*		1	
5		WP0621016SD		WASHER 6.2X13X1				*		1	
6		SM8050502TP		SCREW M5 L=5				*		1	
7		B1604012000A		FEED BAR SHAFT						1	
8		RE0500711KP		SNAP RING 5						1	
9		CQ202000000		OIL WICK						.14	
10		21364104		FEED ROCKER						1	
11	R	SS7111410SP	SS7111410TP	SCREW11/64-40L=14						2	1.00
12		22609408		FEED ROCK SHAFT						1	
13		21378302		FEED SHAFT METAL						2	
14		SS8151150TP		SCREW 15/64-28 L=10.5						1	
15		22609309		FEED ROCKER SHAFT CRANK						1	
16		SS6121610TP		SCREW 3/16-28 L=15.5						1	
17		22904155		MAIN SHAFT THRU- ST COLLAR ASM.						2	
18	R	22904106	22904155	MAIN SHAFT THRUST COLLAR				*		1	1.00
19		SS8660610TP		SCREW 1/4-40 L=6				*		2	
20		10205201		NEEDLE BAR FRAME ROD						1	
21		SD0900701TP		HINGESCROWD=9H=7						1	
22		NS6680320SP		NUT 9/32-28						1	
23		21337506		FEED ADJUSTING BASE						1	
24		21337704		FEED ADJUSTING BASE COVER						2	
25		SS7110910TP		SCREW 11/64-40 L=8.5						4	
26		21337407		SQUARE BLOCK						2	
27		21337803		FEED ADJUSTING BASE SUPPORT	FOR LU-1560N					2	
28		SS8150822TP		SCREW 15/64-28 L=8						2	
29		21338306		FELT SUPPORT						1	
30		SS7090610SP		SCREW 9/64-40 L=6						2	
31		21337902		ECCENTRIC PIN						1	
32		SS7090910TP		SCREW 9/64-40 L=8.5						2	
33		21337308		FEED ADJUSTING ROD						1	
34		SD0800402TP		HINGESCROWD=8H=4						1	
35		21337605		SPRING						1	
36		40019926		SPRING HOOK						1	
37		SS6111610SP		SCREW11/64-40L=16						2	
38		21337209		FEED ADJUSTING A						1	
39		B1610512000		FEED DRIVING SLIDE BLOCK						1	

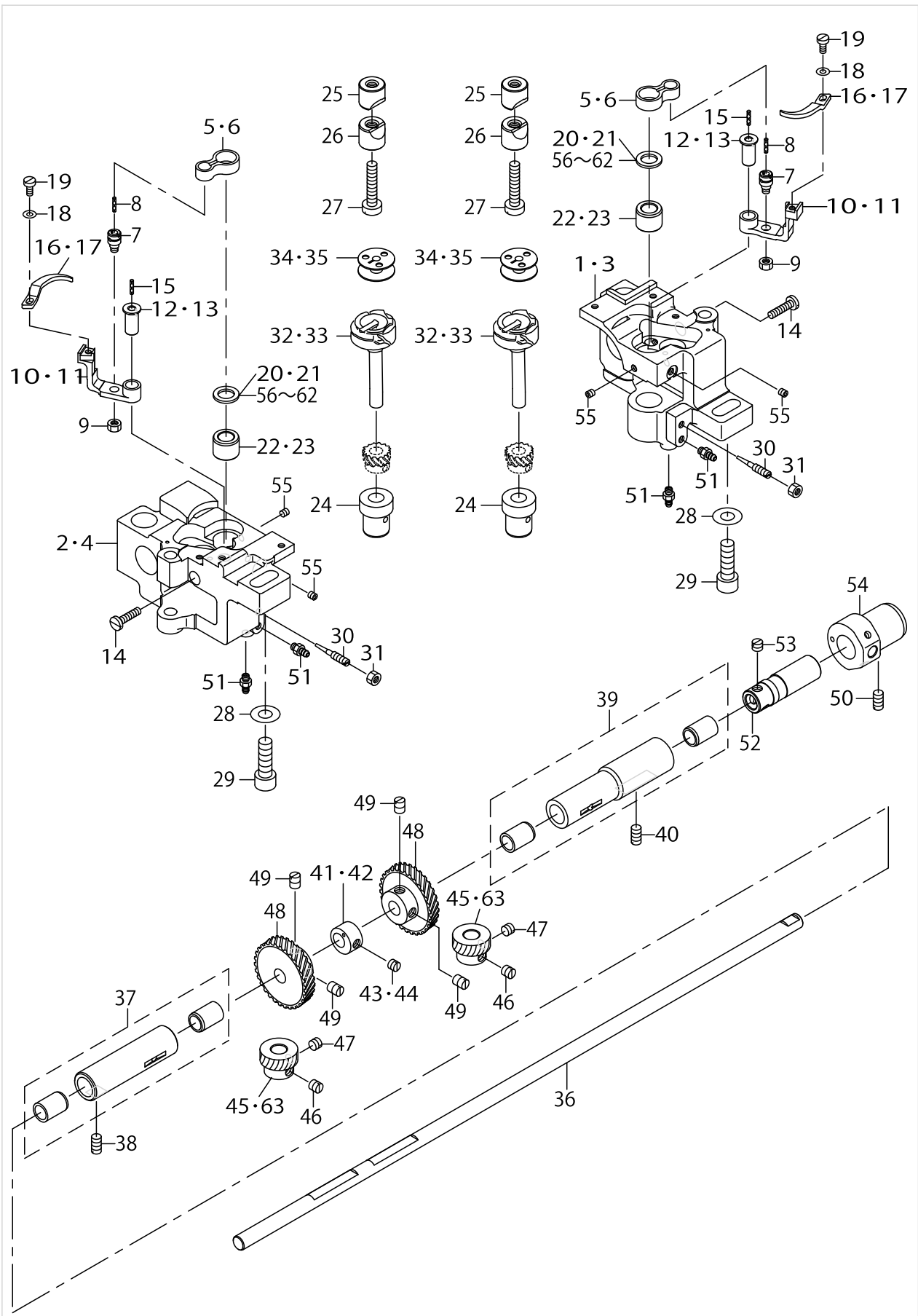
FEED MECHANISM COMPONENTS



FEED MECHANISM COMPONENTS

No.	Supply Code	Parts No.	Replacement	Parts name	Remarks	Choice	Step	Level	Cons	Qty	Rep. QTY
40		SM6061802TP		SCREW M6 L=18						1	
41		21336805		FEED DIAL A						1	
42		21366901		FEED DOG 3/8	EXCHANGI- NG GAUGE PARTS					1	
43		SS6121860SP		SCREW 3/16-28 L=18						1	
44		22911804		FEED REGULATOR SCREW						1	
45		RO092270200		RUBBER RING						1	
46		22912000		FEED REGULATOR PIN						1	
47		22912109		FEED REGULATOR PIN SPRING						1	
48		21336656		FEED LINK ASM.						1	
49		21336607		FEED LINK				*		1	
50		40009103		CONNECTING FORKED LINK PIN				*		1	
51		CQ202000000		OIL WICK				*		0.04	
52		SM8050612TP		SCREW M5X6				*		1	
53		21336706		FEED ROD A						1	
54		21378906		FEED LINK PIN						1	
55		SD1000801SH		HINGE SCREW D=10 H=8						1	
56		21336300		BACKWARD FEED LEVER SHAFT						1	
57		SS6580752TP		SCREW 1/8-40 L=7						2	
58		CS1201010SH		THRUST COLLAR ASM. D=12 W=10						1	
59		CS1201011SH		THRUST COLLAR D=12 W=10				*		1	
60		SS8660610TP		SCREW 1/4-40 L=6				*		2	
61		RE0900000K0		E-RING 9						1	
62		21388004		REVERSE FEED CONTROL LEVER						1	
63		SS6120930TP		SCREW 3/16-28 L=9	FOR LU-1560N					2	
64		21387402		FELT						1	
65		NS6080210SP		NUT 1/8-44						1	
66		SS6081810SP		SCREW 1/8-44 L=18.0						1	
67		21430400		FEED ADJUSTER SUPPORT	FOR LU-1560N-7					1	
68		21337803		FEED ADJUSTING BASE SUPPORT	FOR LU-1560N-7					1	

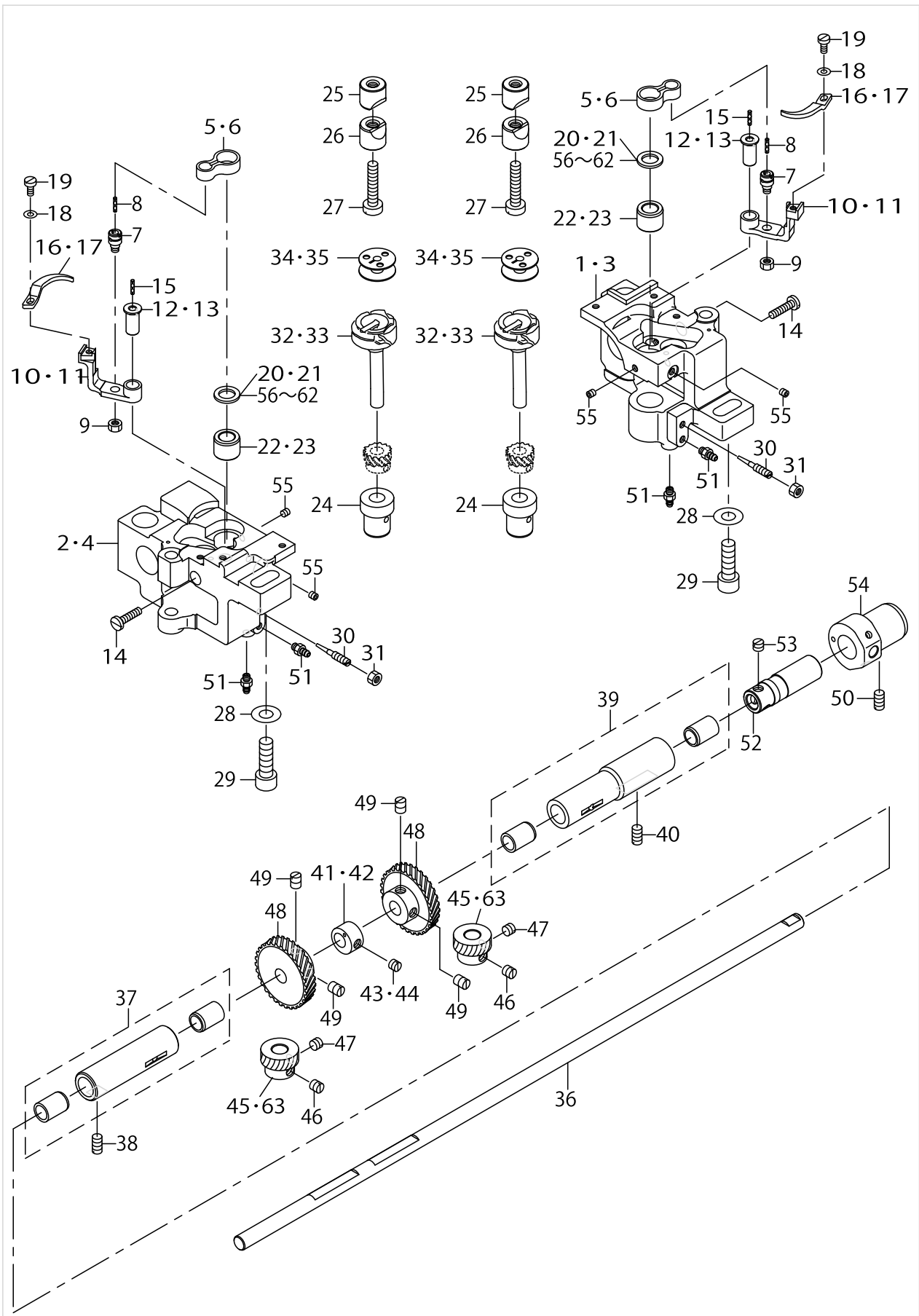
HOOK SHAFT & LOWER SHAFT COMPONENTS



HOOK SHAFT & LOWER SHAFT COMPONENTS

No.	Supply Code	Parts No.	Replacement	Parts name	Remarks	Choice	Step	Level	Cons	Qty	Rep. QTY
1		21390000		HOOK SHAFT BASE (RIGHT)	FOR LU-1560N-7					1	
2		21390109		HOOK SHAFT BASE (LEFT)	FOR LU-1560N-7					1	
3		21335104		HOOK SHAFT BASE (RIGHT)	FOR LU-1560N					1	
4		21362108		HOOK SHAFT BASE (LEFT)	FOR LU-1560N					1	
5		21334909		INNER HOOK GUIDE LINK	FOR LU-1560N-7					2	
6		B1820563000		BOBBIN CASE OPENING LEVER LINK	FOR LU-1560N					2	
7		B1821051000		CRANK SCREW STUD						2	
8		CQ202000000		OIL WICK						.02	
9		NS6110420SP		NUT 11/64-40						2	
10		21335500		GUIDE ARM (FOR THREAD CUTTING)	FOR LU-1560N-7					2	
11		B1822563000		BOBBIN CASE OPENING LEVER CRANK	FOR LU-1560N					2	
12		21335708		INNER HOOK GUIDE ARM SHAFT	FOR LU-1560N-7					2	
13		B1823051000		OPENING LEVER CRANK PIN	FOR LU-1560N					2	
14		SS7111810TP		SCREW 11/64-40L=18						2	
15		CQ202000000		OIL WICK						.02	
16		21335807		INNER HOOK GUIDE	FOR LU-1560N-7					2	
17		B1824563000		BOBBIN CASE OPENING LEVER	FOR LU-1560N					2	
18		WP0371016SD		WASHER 3.7X8X1						2	
19		SS6090810SP		SCREW 9/64-40 L=7.5						2	
20		10111102		THRUST WASHER 1.3						2	
21		10112704		THRUST WASHER 1.8	SELECTIVE PARTS					2	
22		21378401		HOOK SHAFT UPPER METAL	FOR LU-1560N-7					2	
23		21378500		HOOK SHAFT UPPER METAL	FOR LU-1560N					2	
24		21334701		HOOK SHAFT LOWER METAL						2	
25		10109908		SADDLE INSTALLING BLOCK UPPER						2	
26		10112407		SADDLE INSTALLING BLOCK LOWER						2	
27		SS6153040SP		SCREW 15/64-28L=30						2	
28		WP0850002SP		WASHER 8.5X18X1.6						2	
29		SM6082502TP		SCREW M8 L=25						2	
30		B1834512000A		OIL ADJUSTING SCREW						2	
31		NS6110420SP		NUT 11/64-40						2	
32		21387055		THREAD TRIMMER HOOK ASM.	FOR LU-1560N-7					2	
33		B18305630A0		VERTICAL-AXIS SEWING HOOK ASM.	FOR LU-1560N					2	
34		21334800		ALUMINUM BOBBIN WITH KNURL	FOR LU-1560N-7					2	
35		B9117563000		BOBBIN	FOR LU-1560N					2	
36		21361704		LOWER SHAFT						1	
37		B18025120A0A		BUSHING ASM. FRONT						1	
38		SS8151150TP		SCREW 15/64-28 L=10.5						1	
39		B18035150A0		BUSHING ASM. INTERMEDIATE						1	
40		SS8151150TP		SCREW 15/64-28 L=10.5						1	
41	R	21378104	21378153	FEED DRIVING ECCENTRIC	FOR LU-1560N-7					1	1.00
42		22609804		FEED DRIVING CAM	FOR LU-1560N					1	
43		SS8150510TP		SCREW 15/64-28 L=4.7	FOR LU-1560N-7					1	
44		SS8660530TP		SCREW 1/4-40 L=4.5	FOR LU-1560N					1	

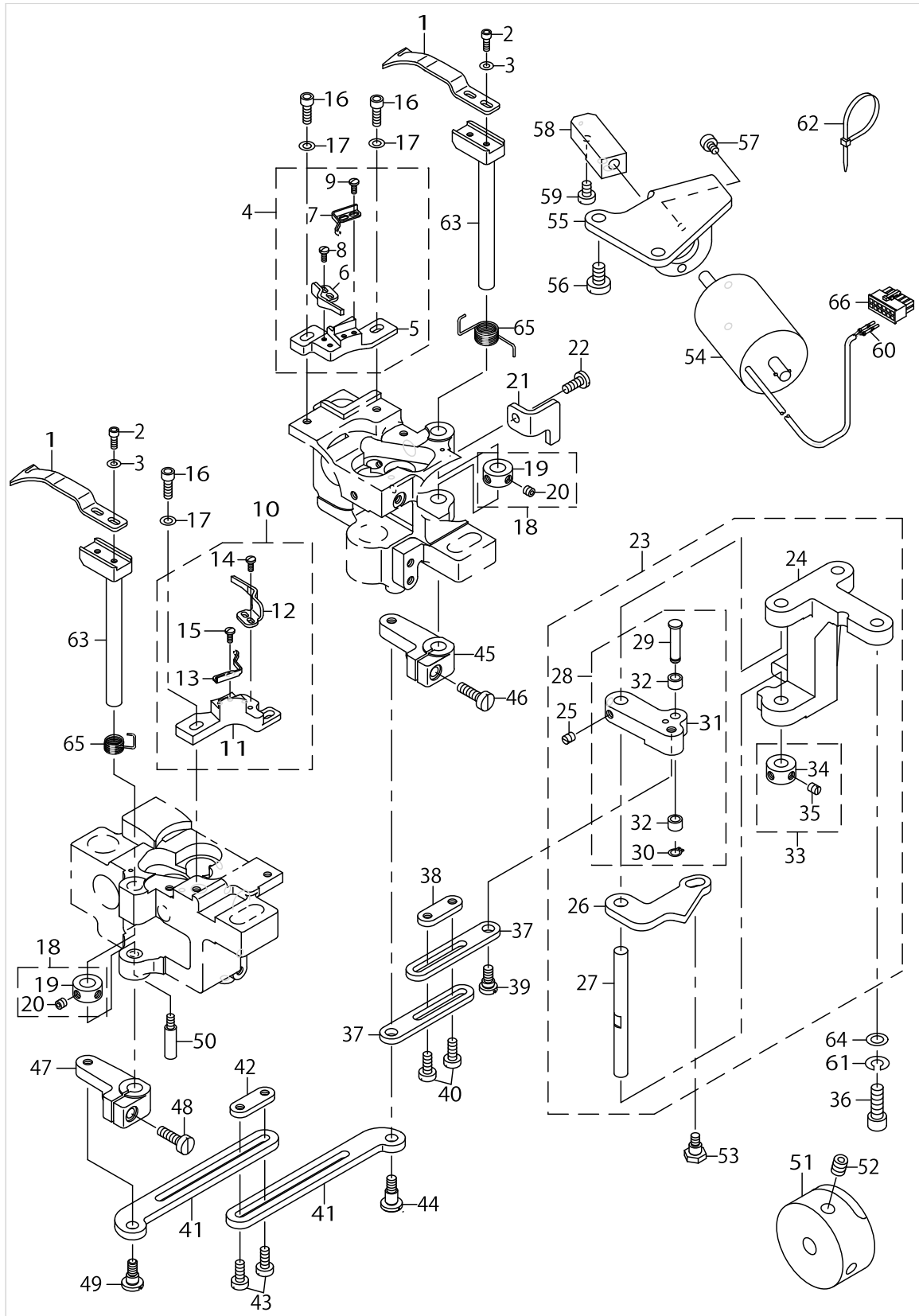
HOOK SHAFT & LOWER SHAFT COMPONENTS



HOOK SHAFT & LOWER SHAFT COMPONENTS

No.	Supply Code	Parts No.	Replacement	Parts name	Remarks	Choice	Step	Level	Cons	Qty	Rep. QTY
45		B1817051000		HOOK DRIVING SH-AFT GEAR SMALL	SELECTIVE PARTS					2	
46		SS8660670SP		SCREW 1/4-40 L=6.1						2	
47		SS8660530TP		SCREW 1/4-40 L=4.5						2	
48		B1816051000		HOOK DRIVING SH-AFT GEAR LARGE						2	
49		SS8660810TP		SCREW 1/4-40 L=8						4	
50	R	SS8151150SP	SS8151150TP	SCREW 15/64-28 L=10.5						1	1.00
51		SQ1110401MZ		CONNECTING SCREW						4	
52		22611909		OIL PUMP SHAFT						1	
53		SS8660530TP		SCREW 1/4-40 L=4.5						3	
54		22611701		PLUNGER BUSHING B						1	
55		SS8110422TP		SCREW 11/64-40 L=4						4	
56		10109700		THRUST WASHER A	SELECTIVE PARTS					2	
57		10109809		THRUST WASHER B	SELECTIVE PARTS					2	
58		10110906		BUSHING THRUST 1.1	SELECTIVE PARTS					2	
59		10111003		THRUST WASHER 1.2	SELECTIVE PARTS					2	
60		10111201		THRUST WASHER 1.4	SELECTIVE PARTS					2	
61		10112506		THRUST WASHER 1.6	SELECTIVE PARTS					2	
62		10112605		THRUST WASHER 1.7	SELECTIVE PARTS					2	
63		40042611		HOOK DRIVING SHAFT GEAR	SELECTIVE PARTS					2	

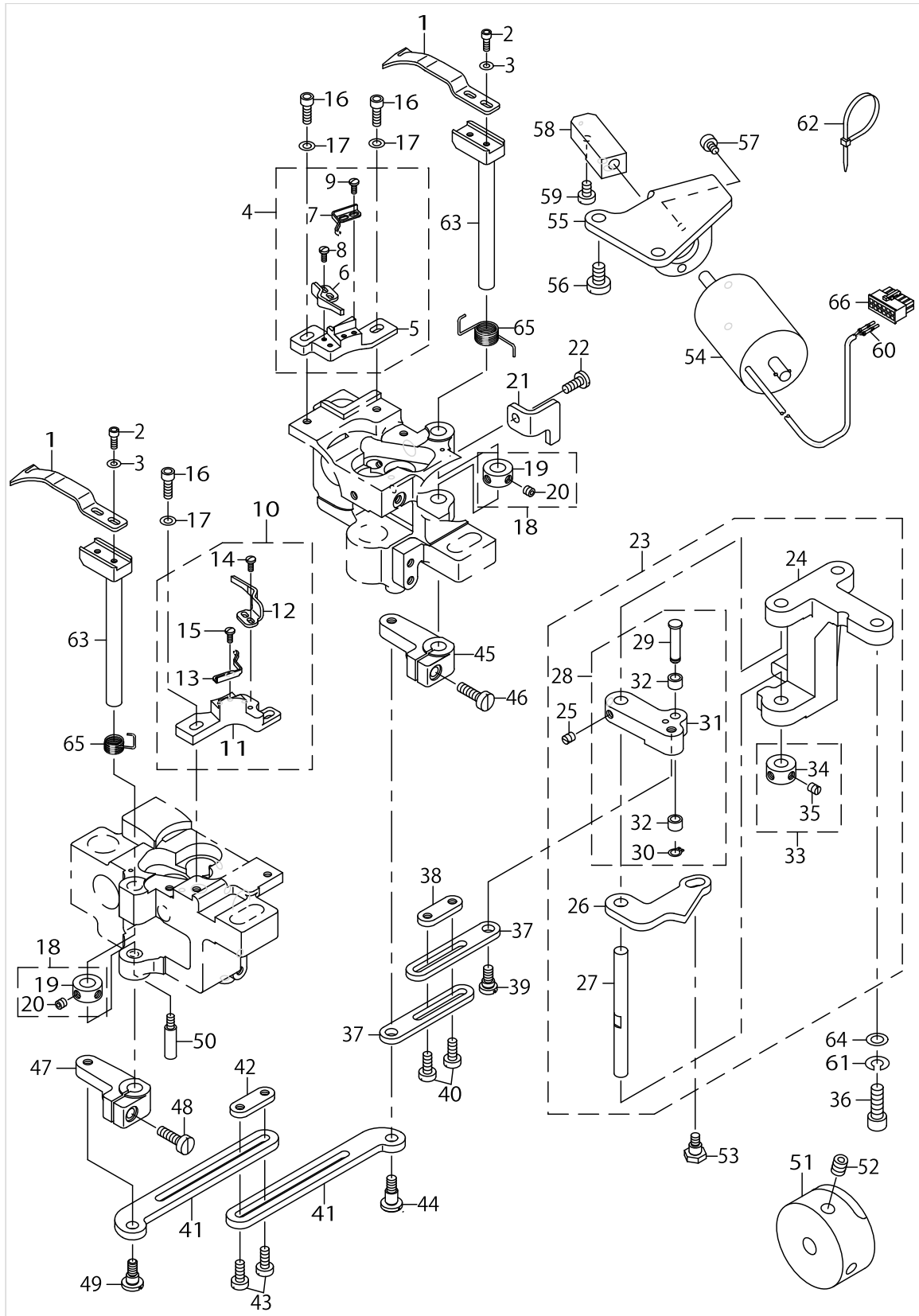
THREAD CUTTING COMPONENTS (FOR LU-1560N-7)



THREAD CUTTING COMPONENTS (FOR LU-1560N-7)

No.	Supply Code	Parts No.	Replacement	Parts name	Remarks	Choice	Step	Level	Cons	Qty	Rep. QTY
1		21389200		MOVING KNIFE						2	
2		SM6030802TP		SCREW M3X0.5 L=8						4	
3		WP0320501SC		WASHER M3						4	
4		21389556		FIXED KNIFE BASE (RIGHT) ASM.						1	
5		21389507		FIXED KNIFE BASE (RIGHT)				*		1	
6		21389309		FIXED KNIFE				*		1	
7		21389408		CLAMP SPRING				*		1	
8		SS7060610SP		SCREW 3/32-56 L=5.5				*		2	
9		SS7060610SP		SCREW 3/32-56 L=5.5				*		2	
10		21389655		FIXED KNIFE BASE (LEFT) ASM.						1	
11		21389606		FIXED KNIFE BASE (LEFT)				*		1	
12		21389309		FIXED KNIFE				*		1	
13		21389408		CLAMP SPRING				*		1	
14		SS7060610SP		SCREW 3/32-56 L=5.5				*		2	
15		SS7060610SP		SCREW 3/32-56 L=5.5				*		2	
16		SM6041202TP		SCREW M4X0.7 L=12						4	
17		WP0430800SC		WASHER M4						4	
18		40101351		THRUST COLLAR ASM.						2	
19		22917009		THRUST COLLAR				*		1	
20		SS8110422TP		SCREW 11/64-40 L=4				*		2	
21		21354501		THREAD CUTTING STOPPER (RIGHT)						1	
22	R	SS7111120SP	SS7111120TP	SCREW 11/64-40 L=10.5						1	1.00
23		21353750		VERTICAL FITTING BASIS ASM.						1	
24		21353701		VERTICAL FITTING BASIS				*		1	
25	R	SS8110510SP	SS8110520TP	SCREW 11/64-40 L=5				*		2	1.00
26		21354006		THREAD CUTTING DRIVING PLATE				*		1	
27		10116804		SHAFT				*		1	
28	R	40119279	21353750	THREAD CUTTING ROLLER ARM ASM.				*		1	1.00
29		40104369		CAM ROLLER SHAFT				*		1	
30		D2430555B00		SNAP RING				*		1	
31	R	40104368	21353750	THREAD CUTTING ROLLER ARM		A	LU	*		1	1.00
31	R	40104368	40038744	THREAD CUTTING ROLLER ARM		B	PLC	*		1	1.00
32		D2427555B00B		CAM ROLLER				*		2	
33		CS070081BSH		THRUST COLLAR ASM. D=7 W=8				*		1	
34		CS0700811SH		THRUST COLLAR D=7 W=8				*		1	
35	R	SS8110510SP	SS8110520TP	SCREW 11/64-40 L=5				*		2	1.00
36		SS6151812TP		SCREW 15/64-28 L=18						2	
37		21354105		CONNECTING PLATE						2	
38		21354204		STOPPING PLATE						1	
39		SD0640325SP		HINGE SCREW						1	
40		SS6111140SP		SCREW 11/64-40 L=11						2	
41		21363601		CONNECTING PLATE						2	
42		21354204		STOPPING PLATE						1	
43		SS6111140SP		SCREW 11/64-40 L=11						2	
44		SD0640751SP		HINGE SCREW D=6.35 H=7.5						1	

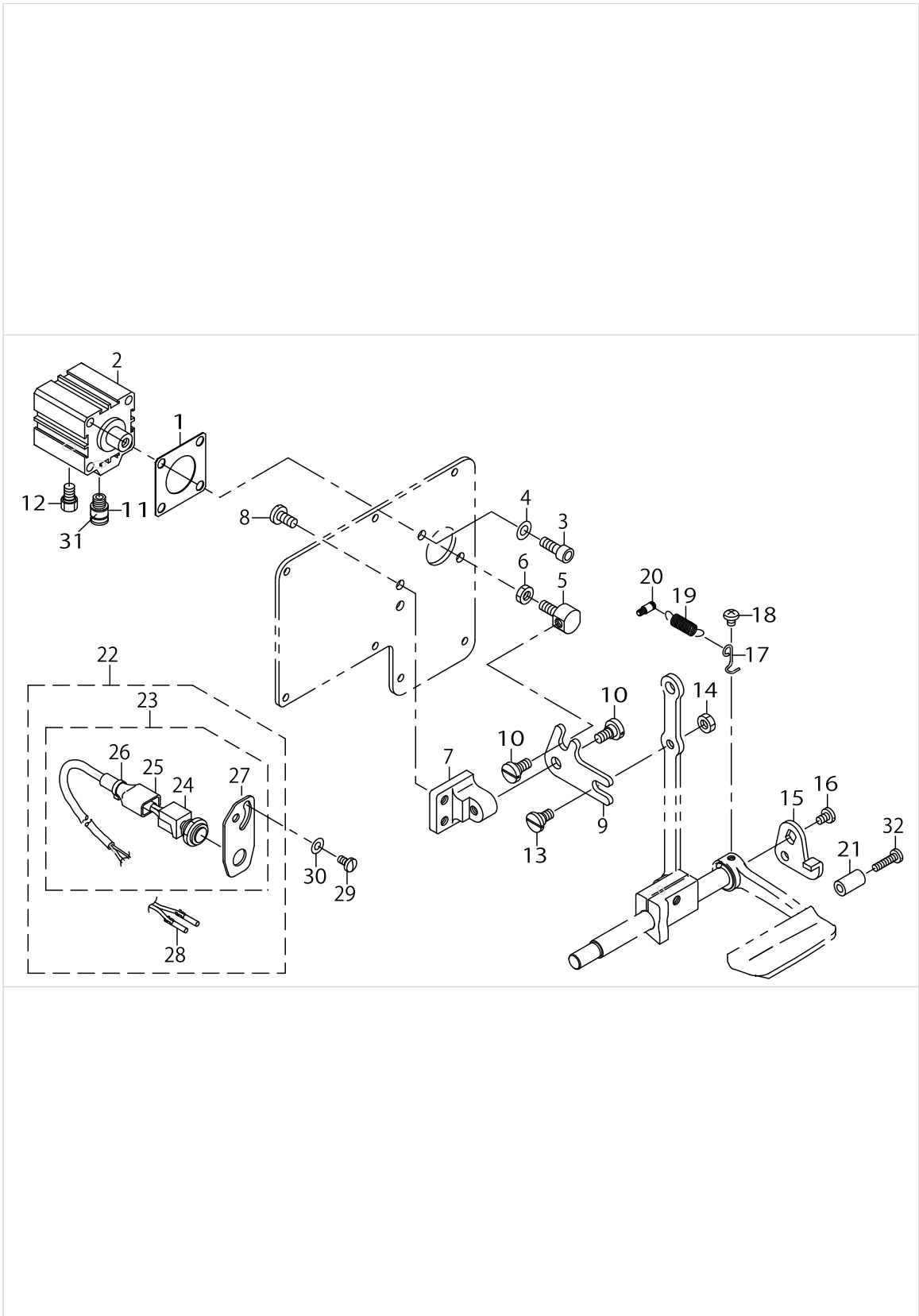
THREAD CUTTING COMPONENTS (FOR LU-1560N-7)



THREAD CUTTING COMPONENTS (FOR LU-1560N-7)

No.	Supply Code	Parts No.	Replacement	Parts name	Remarks	Choice	Step	Level	Cons	Qty	Rep. QTY
45		21389705		ROCKING ARM (RIGHT)						1	
46		SS6121610TP		SCREW 3/16-28 L=15.5						1	
47		21389804		ROCKING ARM (LEFT)						1	
48		SS6121610TP		SCREW 3/16-28 L=15.5						1	
49		SD0640451TP		HINGE SCREW D=6.35 H=4.5						1	
50		B1515512000		HAND LIFTER SHAFT						1	
51		21389911		THREAD TRIMMER CAM						1	
52		SS8660612TP		SCREW 1/4-40 L=6						2	
53		SD0640482SP		HINGE SCREW D=6.35 H=4.8						1	
54		21355102		THREAD CUTTING SOLENOID						1	
55		21354600		SOLENOID FITTING PLATE						1	
56		SS6151040SP		SCREW 15/64-28 L=10						2	
57		SM6040802TP		SCREW M4X0.7 L=8						2	
58		21354709		SOLENOID CONNECTING PLATE						1	
59		SS6110710TP		SCREW 11/64-40 L=6.5						2	
60		HK03464000A		TERMINAL FEMALE						2	
61		WS0610002KP		SPRING WASHER						2	
62		EA9500B0100		CABLE BAND						1	
63		21354907		MOVING KNIFE SHAFT						2	
64		WP0651056SD		WASHER 6.5X11X1						2	
65		21390208		MAINTENANCE SPRING						2	
66		HK034610120		HOUSING 12P						1	

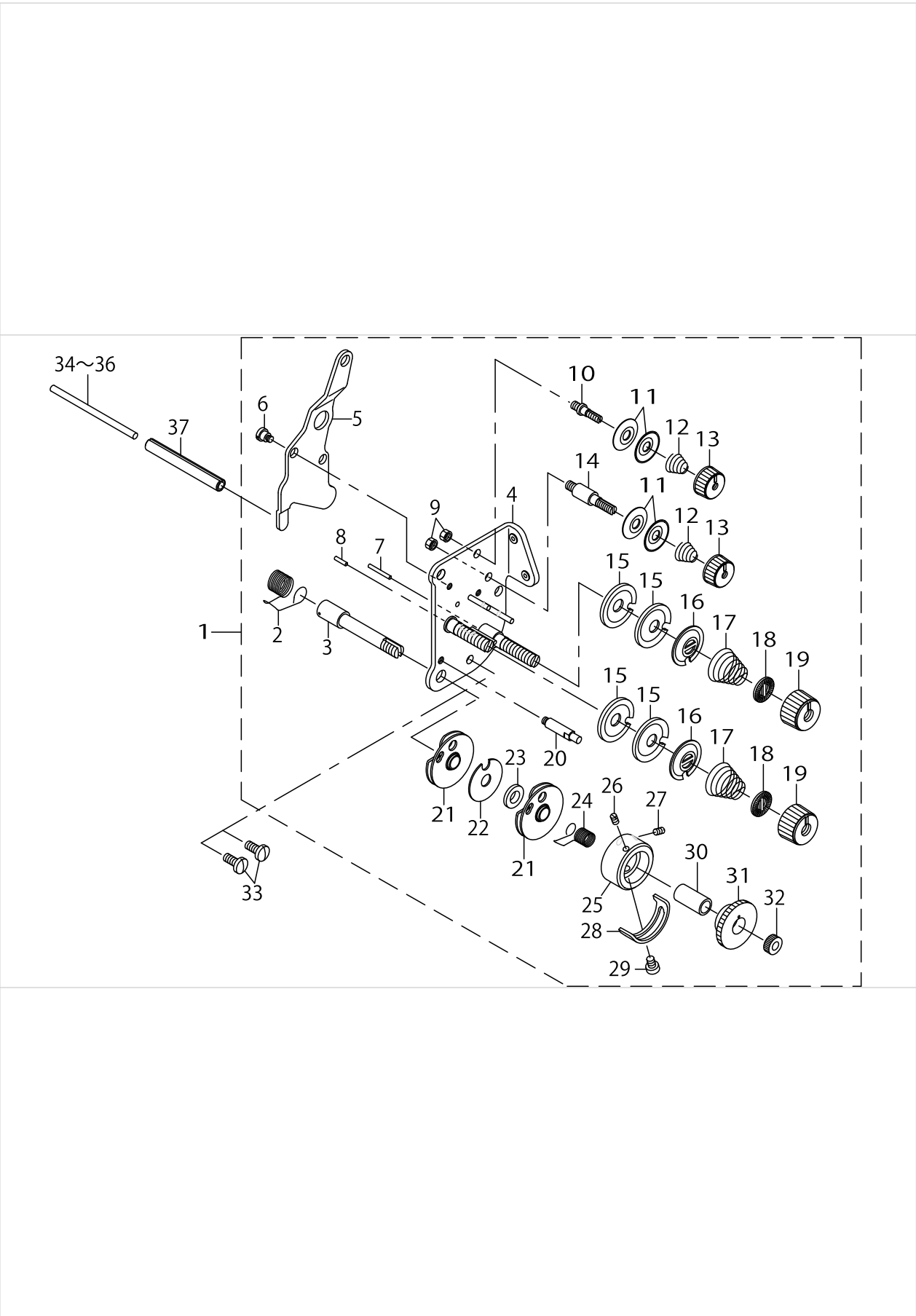
AUTOMATIC BACK COMPONENTS (FOR LU-1560N-7)



AUTOMATIC BACK COMPONENTS (FOR LU-1560N-7)

No.	Supply Code	Parts No.	Replacement	Parts name	Remarks	Choice	Step	Level	Cons	Qty	Rep. QTY
1		21349105		CYLINDER PACKING						1	
2		PA320150200		JIG CYLINDER						1	
3		SM6061602TP		SCREW M6 L=16						2	
4		WP0641601SD		WASHER M6						2	
5		21348602		CYLINDER CONNECTING SCREW						1	
6		NM6060003SC		NUT M6						1	
7		21348503		FITTING BASE						1	
8		SS7151210SP		SCREW15/64-28L=12						2	
9		21348701		BACKWARD FEED LINK						1	
10		SD0800352SP		HINGE SCREW D=8 H=3.5						2	
11		PJ301065104		HALF UNION						1	
12		PX015101000		MUFFLER						1	
13		SD0800402TP		HINGESCREWD=8H=4						1	
14		NS6150430SP		NUT 15/64-28						1	
15		22656102		REVERSE FEED LINK (1)						1	
16		SS7120760SP		SCREW 3/16-28 L=7.0						1	
17		22656003		SPRINGSUSPENSION						1	
18		SS4120615SP		SCREW 3/16-28 L=6						1	
19		26226209		SPRING						1	
20		40023289		SPRINGSUSPENSION						1	
21		22952501		BACK LEVER STOPPER						1	
22		40056366		BT SWITCH C ASM.						1	
23		40056365		BT SWITCH B ASM.				*		1	
24		40056364		BT SWITCH A ASM.				*		1	
25		GTS01037000		CONNECTOR COVER				*		1	
26		EA9500B0100		CABLE BAND				*		1	
27	R	21388608	21388665	CABLE BAND				*		1	1.00
28		HK03464000A		TERMINAL FEMALE				*		2	
29		SS7110840SP		SCREW 11/64-40 L=7.8						2	
30		WP0501016SD		WASHER 5X10.5X1						2	
31		HX002950000		WIRE MARK(1)						1	
32	R	SS7111810SP	SS7111810TP	SCREW11/64-40L=18						1	1.00

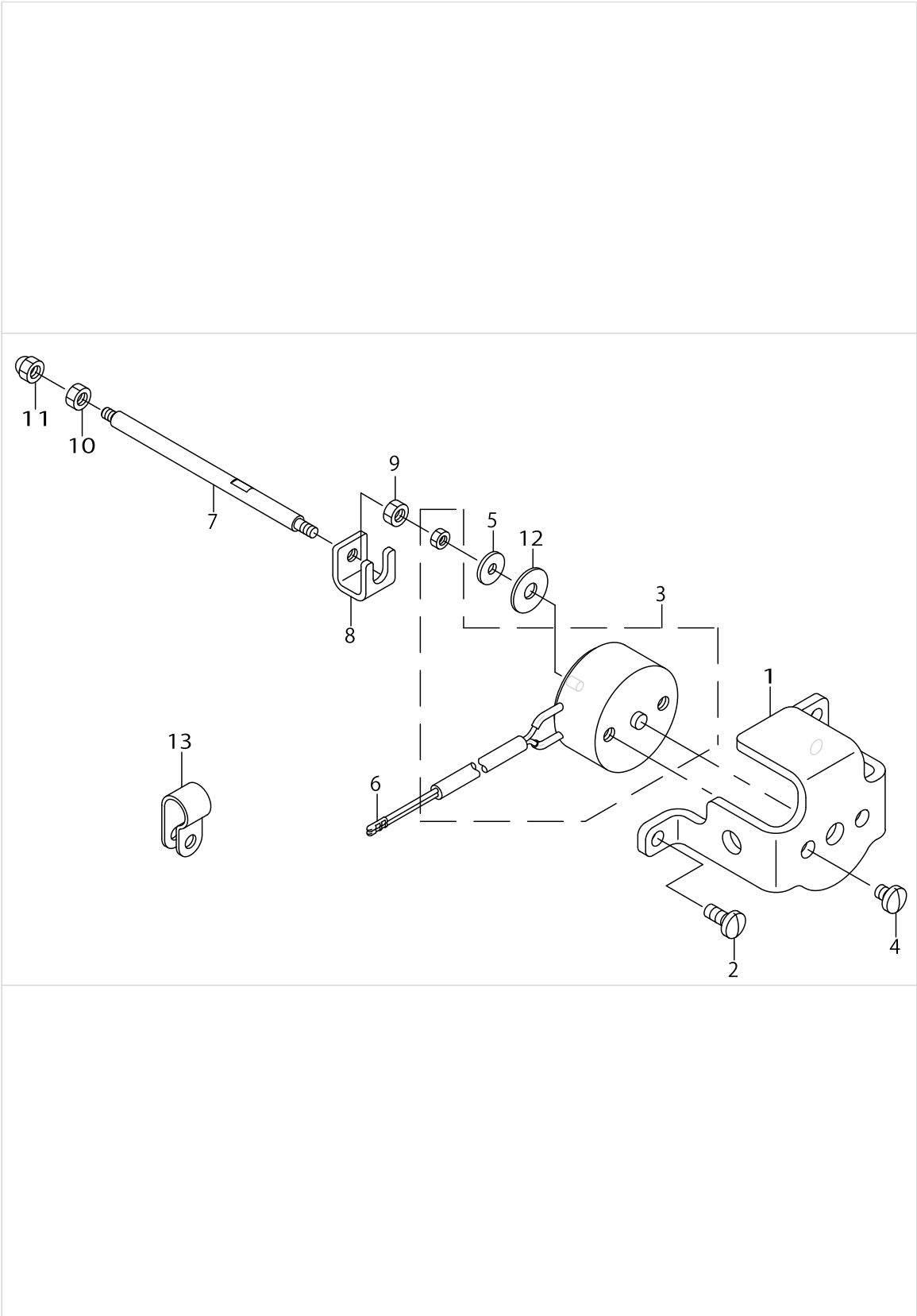
THREAD TENSION COMPONENTS



THREAD TENSION COMPONENTS

No.	Supply Code	Parts No.	Replacement	Parts name	Remarks	Choice	Step	Level	Cons	Qty	Rep. QTY
1		21390562		THREAD TENSION ASM.						1	
2		B3128051000		THREAD TAKE-UP SPRING A				*		1	
3		10124501		THREAD TAKE-UP SPRING STUD				*		1	
4	R	21390554	21390562	THREAD TENSION BASE COMPL.				*		1	1.00
5		21441100		THREAD RELEASE PLATE				*		1	
6		SD0470281SP		HINGE SCREW D=4.7 H=2.8				*		2	
7		B3127527000		PIN B				*		1	
8		B3127051000		TENSION RELEASE PIN SHORT				*		1	
9		NS6110310SP		NUT 11/64-40				*		2	
10		10124204		THREAD TENSION POST A				*		1	
11	R	B3214047000	22945802	BOBBIN WINDER TENSION DISC				*		4	1.00
12		D3168555H0B		TENSION SPRING NO.1				*		2	
13		11072402		THREAD TENSION NUT				*		2	
14		10124303		THREAD TENSION POST B				*		1	
15		40121822		THREAD TENSION DISK				*		4	
16		B3132051000		TENSION DISC HOLDER				*		2	
17		B3129053000		TENSION SPRING				*		2	
18		B3120125000		ROTATING STOPPER				*		2	
19		11072204		TENSION NUT				*		2	
20		B3143527000		TAKE-UP SPRING GUIDE STUD				*		1	
21		B31375270A0		TAKE-UP SPRING GUIDE ASM.				*		2	
22		B3142527000		TAKE-UP SPRING GUIDE PLATE				*		1	
23		B3139527000		COLLAR				*		1	
24		B3128527000		THREAD TAKE-UP SPRING B				*		1	
25		22617609		THREAD TENSION POST				*		1	
26	R	22618904	SM8030500SP	SET SCREW				*		1	1.00
27	R	22618904	SM8030500SP	SET SCREW				*		1	1.00
28		B3138527000		ADJUSTING PLATE B				*		1	
29	R	SS7090520SP	SS7090520TP	SCREW 9/64-40 L=4.5				*		1	1.00
30		B3141527000		PRESSER COLLAR				*		1	
31		B3125527000		TAKE-UP SPRING GUIDE				*		1	
32	R	B3125012000	22928808	THREAD TENSION NUT				*		1	1.00
33		SS7110910TP		SCREW 11/64-40 L=8.5						2	
34		21348206		TENSION RELEASE BAR	SELECTIVE PARTS					1	
35		10321107		TENSION RELEASE BAR	SELECTIVE PARTS					1	
36		23006406		TENSION RELEASE BAR						1	
37		PS0600502KP		SPRING PIN						1	

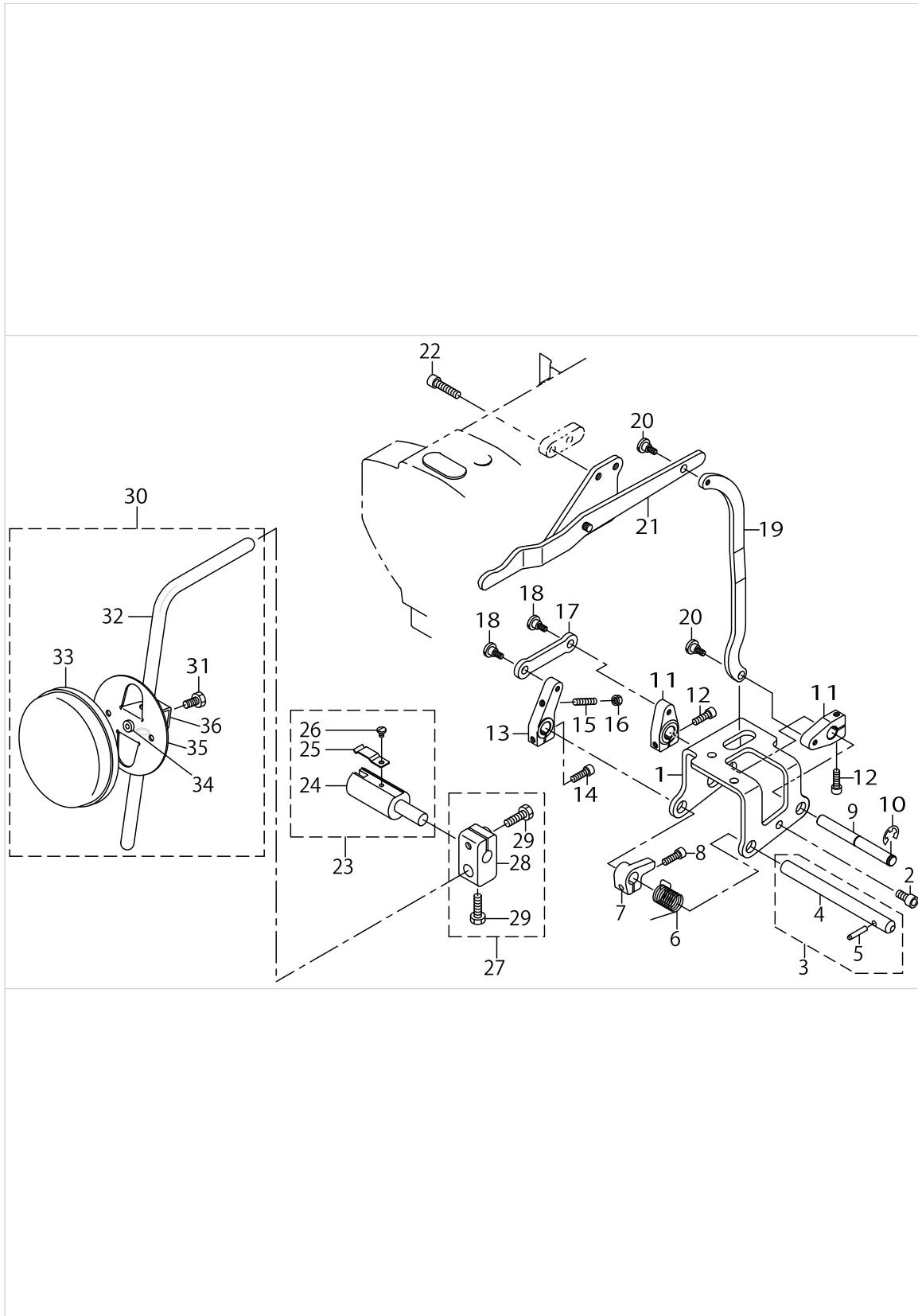
THREAD RELEASE COMPONENTS (FOR LU-1560N-7)



THREAD RELEASE COMPONENTS (FOR LU-1560N-7)

No.	Supply Code	Parts No.	Replacement	Parts name	Remarks	Choice	Step	Level	Cons	Qty	Rep. QTY
1		21441407		SOLENOID INSTALLING PLATE						1	
2		SS7110910TP		SCREW 11/64-40 L=8.5						2	
3		21363106		TENSION RELEASE SOLENOID						1	
4		SS7110570SP		SCREW 11/64-40 L=4.8						2	
5		40062388		WASHER						1	
6		HK03464000B		PIN CONTACT						2	
7		21441209		TENSION RELEASE BAR						1	
8		21441308		COUPLING						1	
9		NM6040001SN		NUT M4X0.7						1	
10		NM6040001SN		NUT M4X0.7						1	
11		NM7040062SB		NUT M4						1	
12		WP0501046SC		WASHER 5X14X1						1	
13		HX00123000A		CABLE CLIP						1	

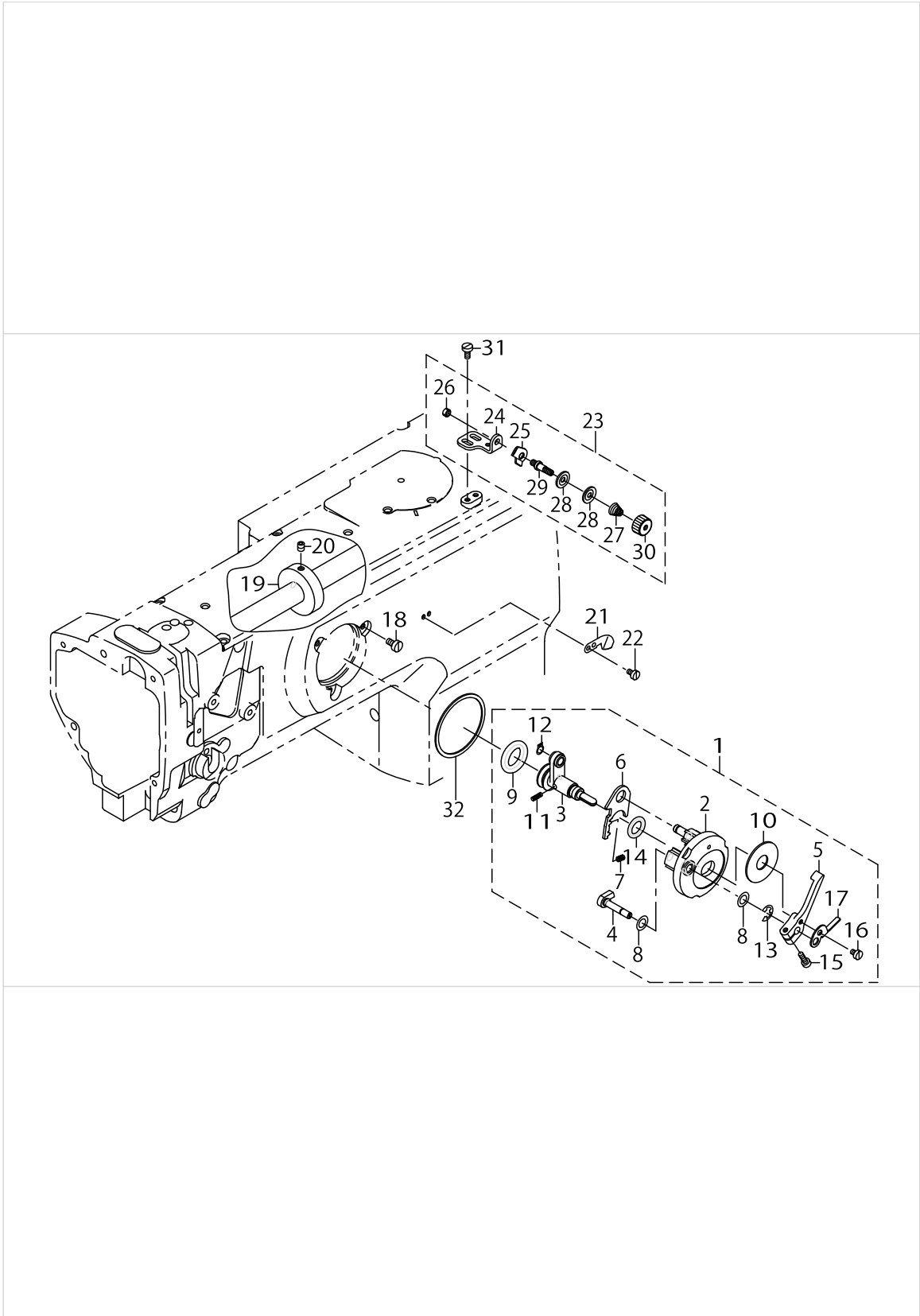
KNEE LIFTING COMPONENTS



KNEE LIFTING COMPONENTS

No.	Supply Code	Parts No.	Replacement	Parts name	Remarks	Choice	Step	Level	Cons	Qty	Rep. QTY
1		21343207		KNEE LIFTER SHAFT BASIS						1	
2		SM6061202TP		SCREW M6 L=12						3	
3		21342555		KNEE LIFTER SHAFT A ASM.	FOR LU-1560N					1	
4	R	21342506	21342555	KNEE LIFTER SHAFT A				*		1	1.00
5	R	21342605	21342555	KNEE LIFTER SHAFT PIN				*		1	1.00
6		21343702		KNEE LIFTER SHAFT A SPRING	FOR LU-1560N					1	
7		21343801		KNEE LIFTER SPRING RACK	FOR LU-1560N					1	
8		SM6051602TP		SCREW M5X0.8 L=16	FOR LU-1560N					1	
9		21342704		KNEE LIFTER SHAFT B	FOR LU-1560N					1	
10		RE0800000K0		E-SHAPED SNAP RING (8MM)	FOR LU-1560N					1	
11		21343009		KNEE LIFTER LEVER B	FOR LU-1560N					2	
12		SM6052002TP		SCREW M5 L=20	FOR LU-1560N					2	
13		21342803		KNEE LIFTER LEVER A	FOR LU-1560N					1	
14		SM6052002TP		SCREW M5 L=20	FOR LU-1560N					1	
15		SM8052502TP		SCREW M5X0.8 L=25	FOR LU-1560N					1	
16		NM6050001SD		NUT M5X0.8	FOR LU-1560N					1	
17		21342902		KNEE LIFTER LINK	FOR LU-1560N					1	
18		SD0700451TP		HINGE SCREW D=7 H=4.5	FOR LU-1560N					2	
19		21343405		KNEE LIFTER CONNECTING PLATE	FOR LU-1560N					1	
20		SD0700451TP		HINGE SCREW D=7 H=4.5	FOR LU-1560N					2	
21		21343355		KNEE LIFTER LEVER	FOR LU-1560N					1	
22		SM6062502TP		SCREW M6 L=25	FOR LU-1560N					2	
23		22863252		KNEE LIFTER JOINT ASM.	FOR LU-1560N					1	
24	R	22863203	22863252	KNEE LIFTER JOINT				*		1	1.00
25		B3428521000		PRESSER SPRING				*		1	
26		SS7090510SP		SCREW 9/64-40 L=4.6				*		1	
27		22932453		BRACKET ASM.	FOR LU-1560N					1	
28	R	22932404	22932453	BRACKET				*		1	1.00
29		22934707		SCREW				*		2	
30		21343157		KNEE PRESS PLATE ASM.	FOR LU-1560N					1	
31		SM9061203SE		SCREW M6 L=12				*		1	
32	R	21343108	21343157	KNEE PRESS LEVER				*		1	1.00
33		22934509		KNEE PAD PLATE COVER				*		1	
34		22934400		KNEE PAD PLATE RUBBER				*		1	
35		22934202		KNEE PAD PLATE				*		1	
36		22934301		KNEE PAD PLATE SUPPORT				*		1	

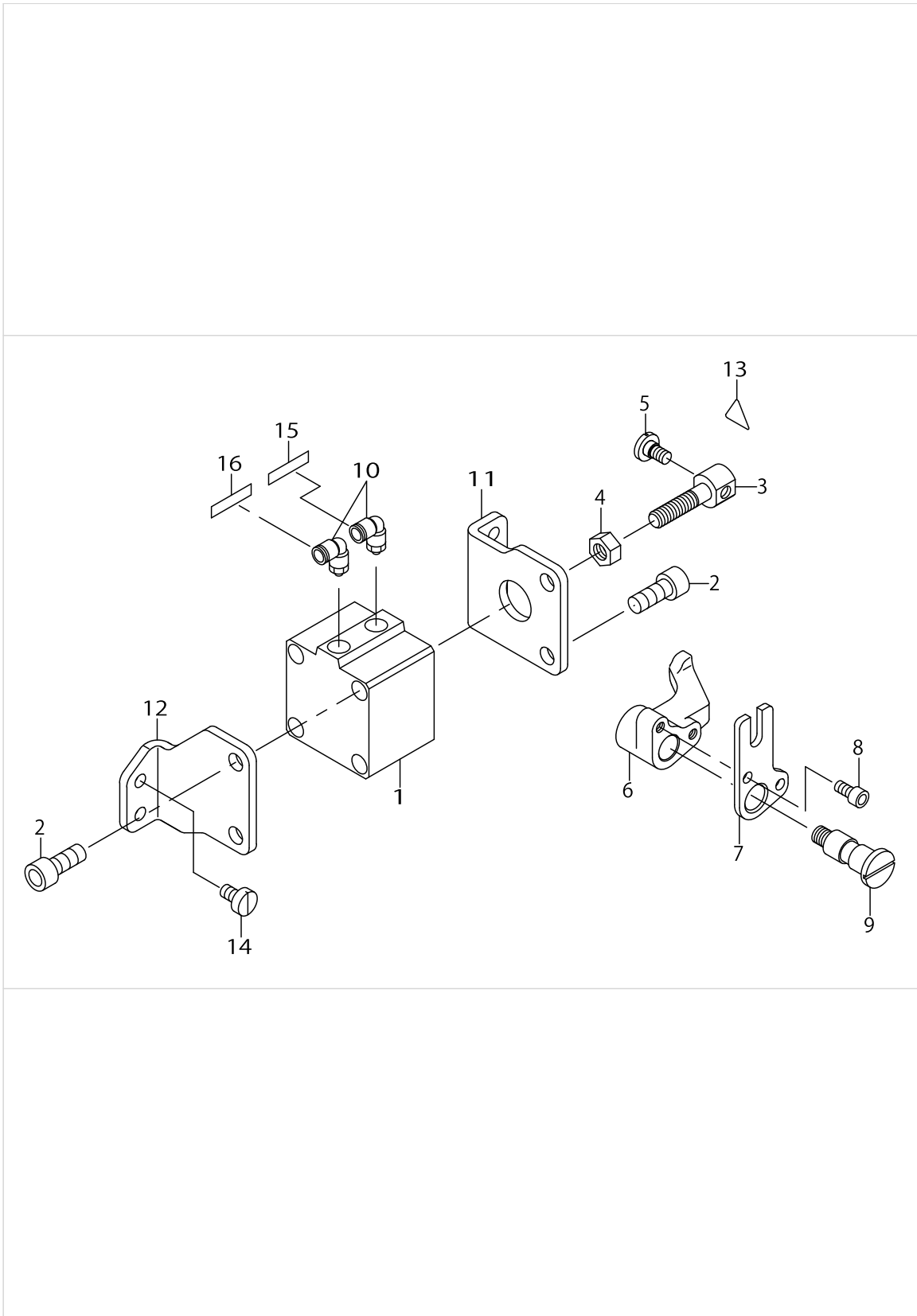
LOWER THREAD WINDER MECHANISM COMPONENTS



LOWER THREAD WINDER MECHANISM COMPONENTS

No.	Supply Code	Parts No.	Replacement	Parts name	Remarks	Choice	Step	Level	Cons	Qty	Rep. QTY
1		21357967		BOBBIN DEVICE ASM.						1	
2		22537658		BOBBIN FITTING BASIS COMPL.				*		1	
3		21357959		BOBIN SHAFT COMPL.				*		1	
4		22538151		BOBBIN CAM SHAFT COMPL.				*		1	
5		23636202		BOBBIN LEVER				*		1	
6		21356001		ADJUSTING PLATE				*		1	
7		B152989000CA		PRESSUR FOOT SPRING				*		1	
8		10618304		VERTICAL ROLLER WASHER				*		2	
9		21358205		RUBBER RING				*		1	
10		B3205210000		CUSHION				*		1	
11	R	B1148555000	22912109	SPRING				*		1	1.00
12		RC0560711KP		RETAINING RING				*		1	
13		RE0500000K0		E-RING				*		1	
14		RO092270200		RUBBER RING				*		1	
15		SS7091410SP		SCREW 9/64-40 L=13.5				*		1	
16		SS6090520SP		SCREW 9/64-40 L=5.0				*		1	
17		14512503		BOBBIN ADJUSTING PLATE				*		1	
18		SS6110810TP		SCREW 11/64-40 L=8						3	
19		10704807		BOBBIN FRICTION WHEEL						1	
20		SM8050602TP		SCREW M5 L=6						2	
21		10502300		THREAD CUTTER						1	
22	R	SS6090620SP	SS6090620TP	SCREW 9/64-40 L=6						2	1.00
23		21355755		LOWER THREAD GUIDE ASM.						1	
24	R	21355706	21355755	FITTING BASE				*		1	1.00
25		D3162555B00		THREAD GUIDE				*		1	
26		NS6110310SP		NUT 11/64-40				*		1	
27		22945505		THREAD TENSION SPRING				*		1	
28		40113092		THREAD TENSION DISK				*		2	
29	R	21378708	21355755	THREAD TENSION POST				*		1	1.00
30		22945703		THREAD TENSION NUT				*		1	
31		SM6040800SP		SCREW						2	
32		22538706		PACKING						1	

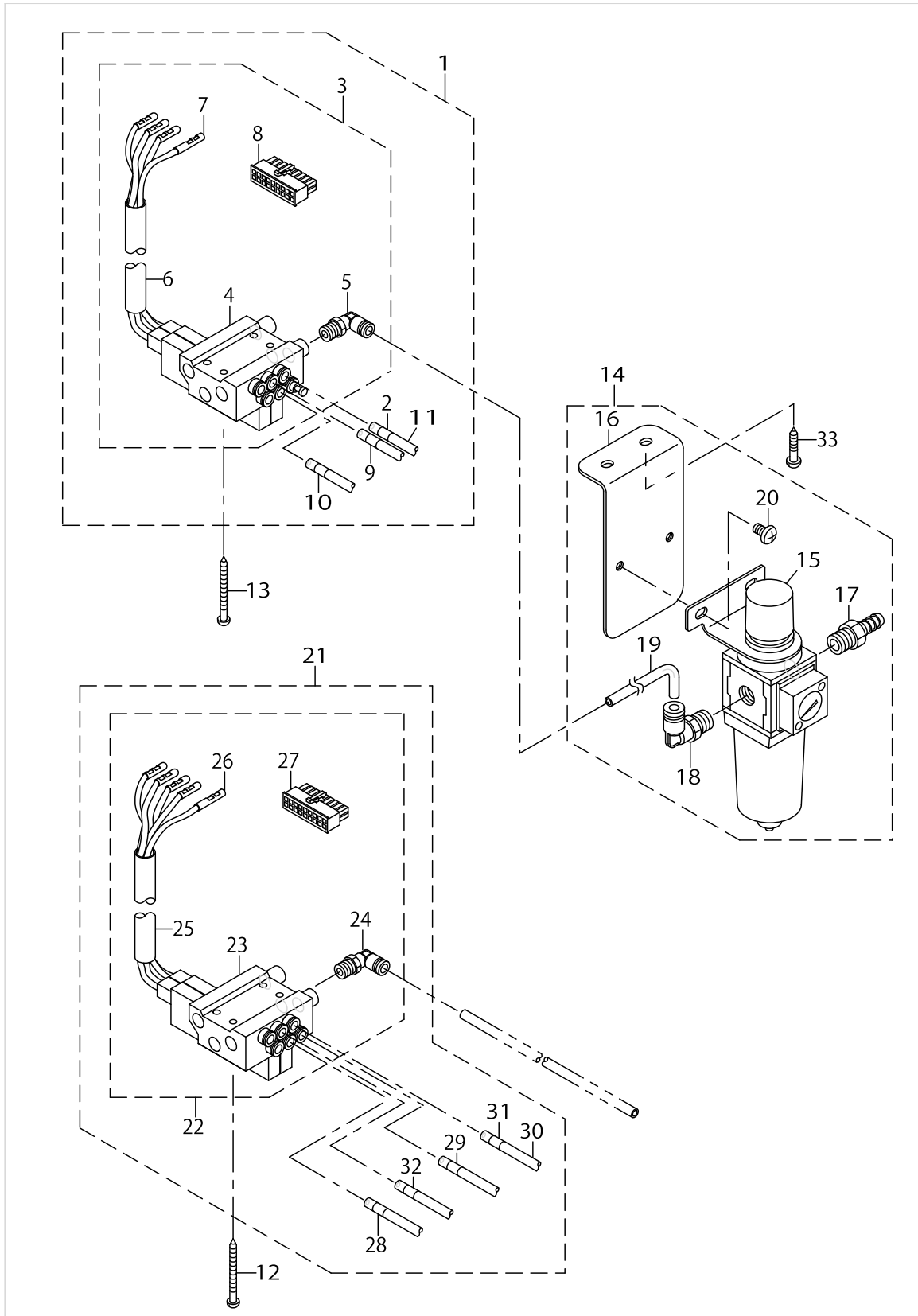
AUTOMATIC PRESSER LIFTING MECHANISM COMPONENTS (FOR LU-1560N-7)



AUTOMATIC PRESSER LIFTING MECHANISM COMPONENTS (FOR LU-1560N-7)

No.	Supply Code	Parts No.	Replacement	Parts name	Remarks	Choice	Step	Level	Cons	Qty	Rep. QTY
1		PA400150100		AIR CYLINDER						1	
2		SM6082002TP		SCREW M8 L=20						4	
3		21356506		CYLINDER CONNECTING SCREW						1	
4		NM6080001SE		NUT M8						1	
5		SD0720331SP		HINGE SCREW D=7.24 H= 3.3						1	
6		21388509		PRESSER LIFTER LEVER A						1	
7		21356803		PRESSER LIFTER LEVER B						1	
8		SM6051002TP		SCREW M5X0.8 L=10						2	
9		21356704		SHAFT						1	
10		PJ304065101		ELBOW UNION 6XPT1/8						2	
11		21356308		CYLINDER STAY(FRONT)						1	
12		21356407		CYLINDER STAY(REAR)						1	
13		CM300200001		ATTENTION SEAL						1	
14		SS6151040SP		SCREW15/64-28L=10						4	
15		HX00295000A		WIRE MARK(2)						1	
16		HX00295000B		WIRE MARK(3)						1	

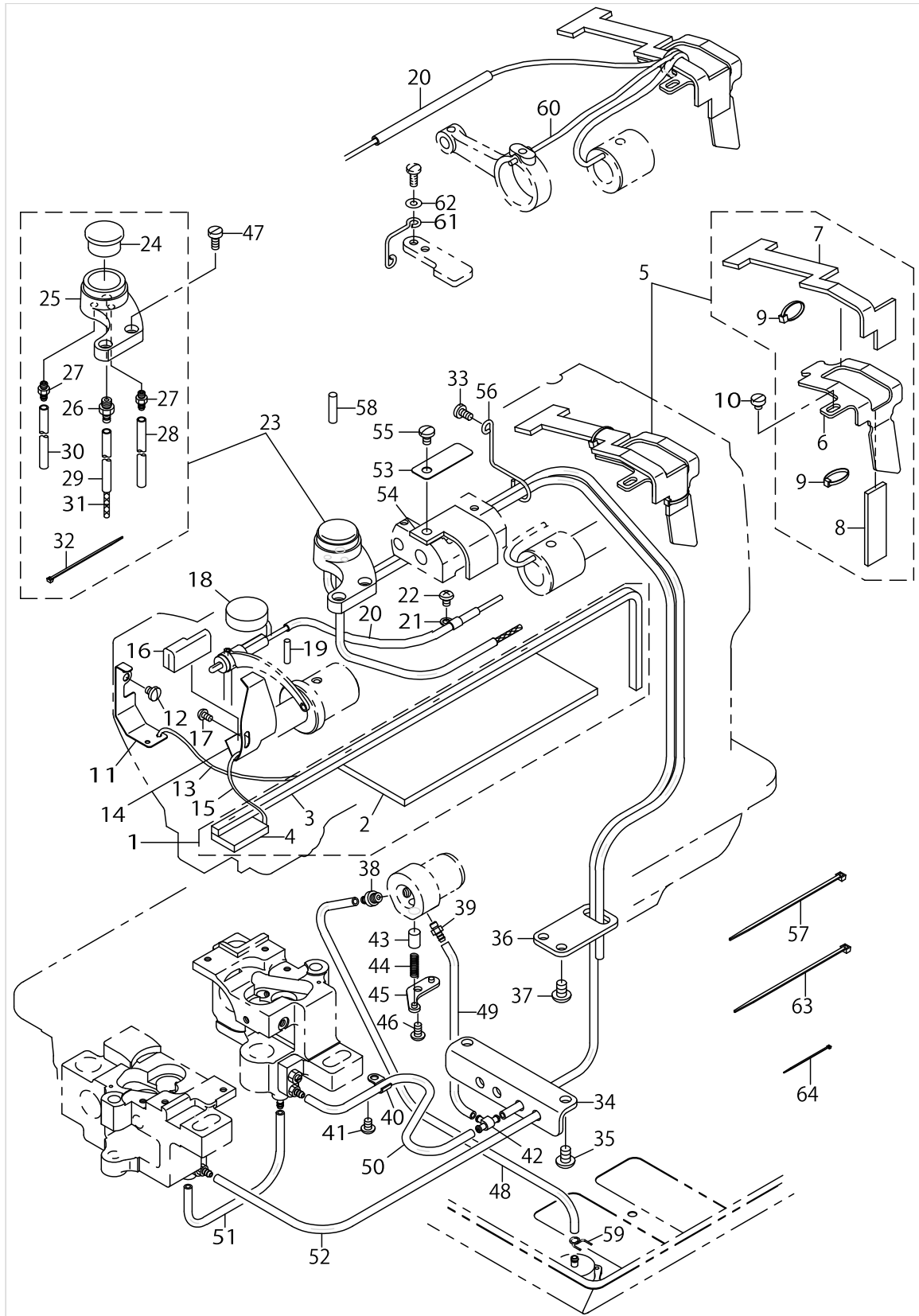
AIR MECHANISM COMPONENTS (FOR LU-1560N-7)



AIR MECHANISM COMPONENTS (FOR LU-1560N-7)

No.	Supply Code	Parts No.	Replacement	Parts name	Remarks	Choice	Step	Level	Cons	Qty	Rep. QTY
1		40102065		AIR APPARATUS B ASM.						1	
2		HX002950000		WIRE MARK(1)				*		4	
3		40102063		ELECTROMAGNETIC VALVE B ASM.				*		1	
4		GAKA2302B00		ELECTROMAGNETIC VALVE A				*		1	
5		GAK29010000		ELBOW B				*		1	
6		GAKA1503000		INSULATION TUBE				*		1	
7		HK03464000A		TERMINAL FEMALE				*		4	
8		HK034610180		CONNECTOR				*		1	
9		HX00295000A		WIRE MARK(2)				*		4	
10		HX00295000B		WIRE MARK(3)				*		4	
11		BT0600401EB		TUBE				*		3	
12		SK3385001SE		WOOD SCREW D=3.8 L=50						4	
13		SK3385001SE		WOOD SCREW D=3.8 L=50						4	
14		40038722		FILTER REGULATAR ASM.						1	
15		PF0552170A0		FILTER REGULATOR				*		1	
16		40038723		FILTER REGULATOR MOUNTING PLATE				*		1	
17		40107618		NIPPLE				*		1	
18		GAK29009000		ELBOW				*		1	
19		BT0600401EB		TUBE				*		1	
20		SM4061001SB		SCREW M6 L=10				*		2	
21		40102066		AIR APPARATUS C ASM.	OPTIONAL PARTS					1	
22		40102064		ELECTROMAGNETIC VALVE C ASM.				*		1	
23	R	GAKA2302C00	GAKA2302CA0	ELECTROMAGNETIC VALVE C				*		1	1.00
24		GAK29010000		ELBOW B				*		1	
25		GAKA1503000		INSULATION TUBE				*		1	
26		HK03464000A		TERMINAL FEMALE				*		1	
27		HK034610180		CONNECTOR				*		1	
28		HX00295000B		WIRE MARK(3)				*		4	
29		HX00295000C		WIRE MARK(4)				*		4	
30		BT0600401EB		TUBE				*		4	
31		HX002950000		WIRE MARK(1)				*		4	
32		HX00295000A		WIRE MARK(2)				*		4	
33		SK3482501SE		WOOD SCREW D=4.8 L=25						2	

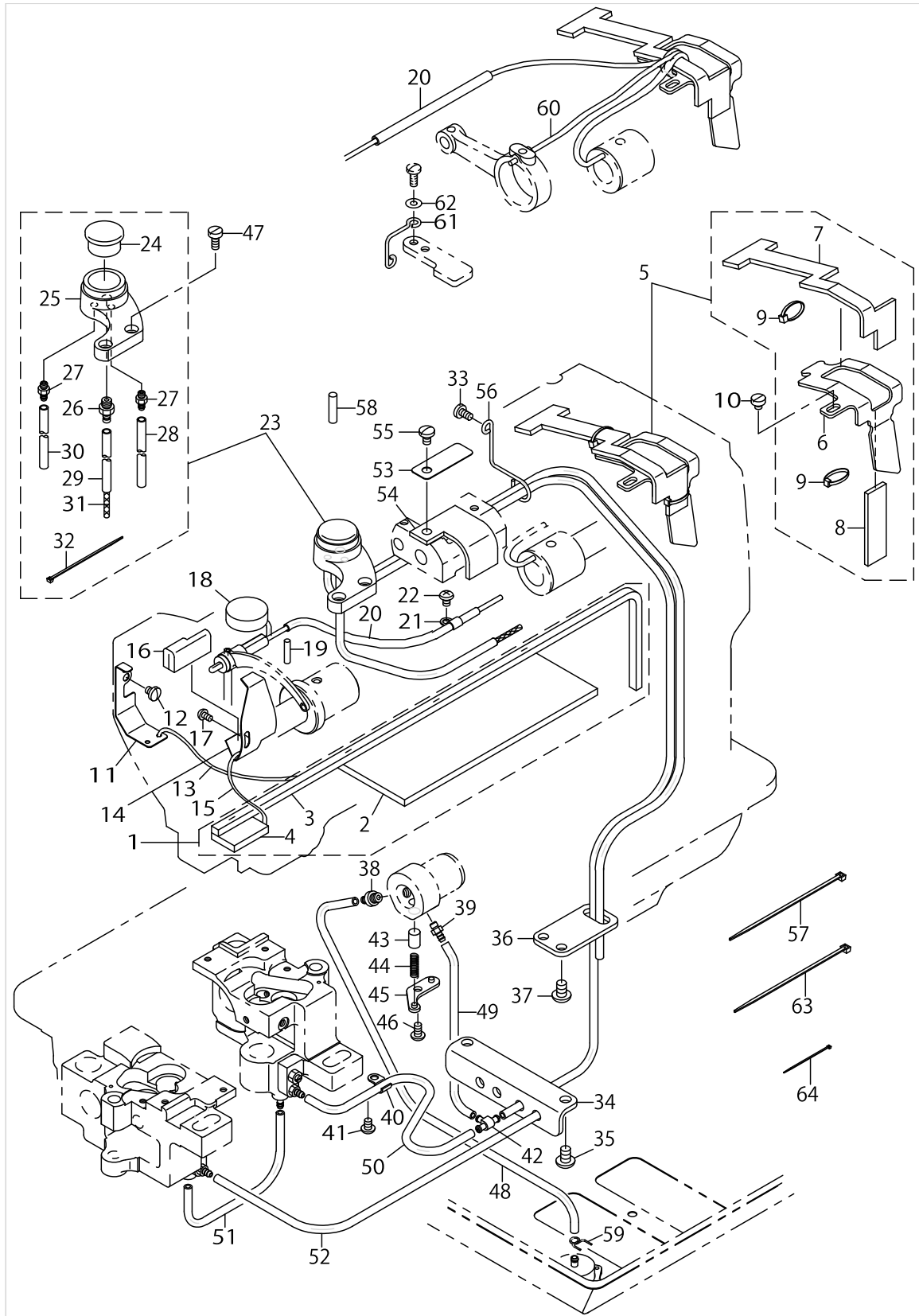
LUBRICATION COMPONENTS



LUBRICATION COMPONENTS

No.	Supply Code	Parts No.	Replacement	Parts name	Remarks	Choice	Step	Level	Cons	Qty	Rep. QTY
1		21345756		ARM ONCE THROU- GH OIL FELT ASM.						1	
2		21345707		ARM ONCE THROUGH FELT A				*		1	
3		21345806		FELT B				*		1	
4		21345905		FACE ONCE THROUGH FELT				*		1	
5		21346358		FELT SUPPORT ASM.						1	
6		21346309		FELT				*		1	
7		21346507		FEED CHANGE FELT				*		1	
8		21346408		FELT				*		1	
9		EA9500B0000		CLIP CV-70S				*		2	
10		SS6110480SP		SCREW 11/64-40 L=4.3						1	
11		21340708		UPPER FEED OIL BAR PLATE						1	
12		SS7110510SP		SCREW 11/64-40 L=5						1	
13		CQ202000000		OIL WICK						.2	
14		21347000		TAKE-UP OIL PLATE						1	
15		CQ202000000		OIL WICK						.25	
16		21347208		TAKE-UP LUBRICATION FELT						1	
17		SS3090610SP		SCREW 9/64-40 L=6						1	
18		21346002		FELT						1	
19		B1412051000		FELT						1	
20		BT0600402EA		OIL TUBE						.12	
21		B3538112000		OIL RETURN TUBE HOLDER						1	
22		SS4110615SP		SCREW 11/64-40 L=6						1	
23		40051503		ARM OIL TANK ASM.						1	
24		B3520586000		OIL SIGHT WINDOW				*		1	
25	R	21345608	21345657	ARM OIL TANK				*		1	1.00
26		SQ1110401MZ		CONNECTING SCREW				*		1	
27		SQ11150451MZ		CONNECTING SCREW				*		2	
28		23630007		TUBE				*		0.5	
29		23630007		TUBE				*		0.2	
30		23630007		TUBE				*		0.6	
31		CQ252000000		OIL WICK				*		0.7	
32		EA9500B0100		CABLE BAND				*		3	
33		SS7110830SP		SCREW 11/64-40 L=7.5						1	
34		21345103		LUBRICATION BRACKET						1	
35		SS4150915SP		SCREW 15/64-28 L=9						2	
36		21345202		OIL PIPE STAY						1	
37		SS4150915SP		SCREW 15/64-28 L=9						2	
38		40064409		CONNECTION SCREW ASM.						1	
39		SQ1110401MZ		CONNECTING SCREW						1	
40		B3538112000		OIL RETURN TUBE HOLDER						1	
41		SS4110615SP		SCREW 11/64-40 L=6						1	
42		13765607		OIL CONNEC. ARM						1	
43		B3534155000		PLUNGER						1	
44		B1214038000		PLUNGER SPRING						1	
45		B3524552000		PLUNGER THRUST PLATE						1	
46		SS4110815SP		SCREW 11/64-40 L=8						1	

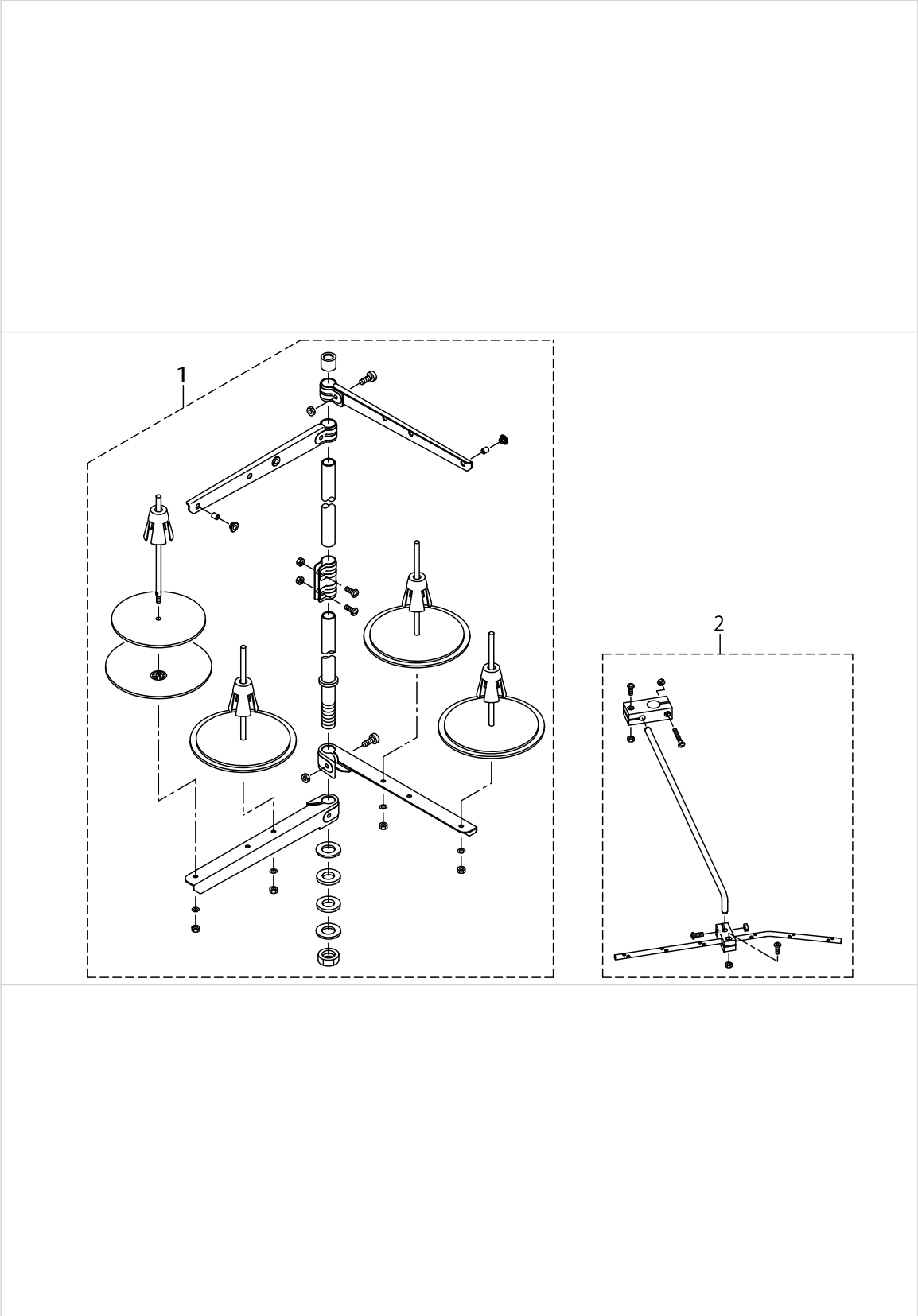
LUBRICATION COMPONENTS



LUBRICATION COMPONENTS

No.	Supply Code	Parts No.	Replacement	Parts name	Remarks	Choice	Step	Level	Cons	Qty	Rep. QTY
47		SS6111010TP		SCREW 11/64-40 L=9.5						2	
48		23630007		TUBE						.36	
49		23630007		TUBE						.16	
50		23630007		TUBE						.22	
51		23630007		TUBE						.1	
52		23630007		TUBE						.5	
53		21346101		LUBRICATION FELT PRESSER	FOR LU-1560N-7					1	
54		21346200		MUTUAL VERTICAL CHANGE FELT	FOR LU-1560N-7					1	
55		SS7120760SP		SCREW 3/16-28 L=7.0	FOR LU-1560N-7					1	
56		21346606		PIPE SUPPORT						1	
57		EA9500B0100		CABLE BAND						1	
58		PS0500202KP		SPRING PIN 5X20	FOR LU-1560N					1	
59		10126803		OIL TUBE HOLDER						1	
60		CQ202000000		OIL WICK	FOR LU-1560N					.2	
61		22620504		OIL WICK HOLDER	FOR LU-1560N					1	
62		WP0450801SD		WASHER 4.5X10X0.8	FOR LU-1560N					1	
63		A407855000A		CLIP BAND						1	
64		EA9500B0100		CABLE BAND						14	

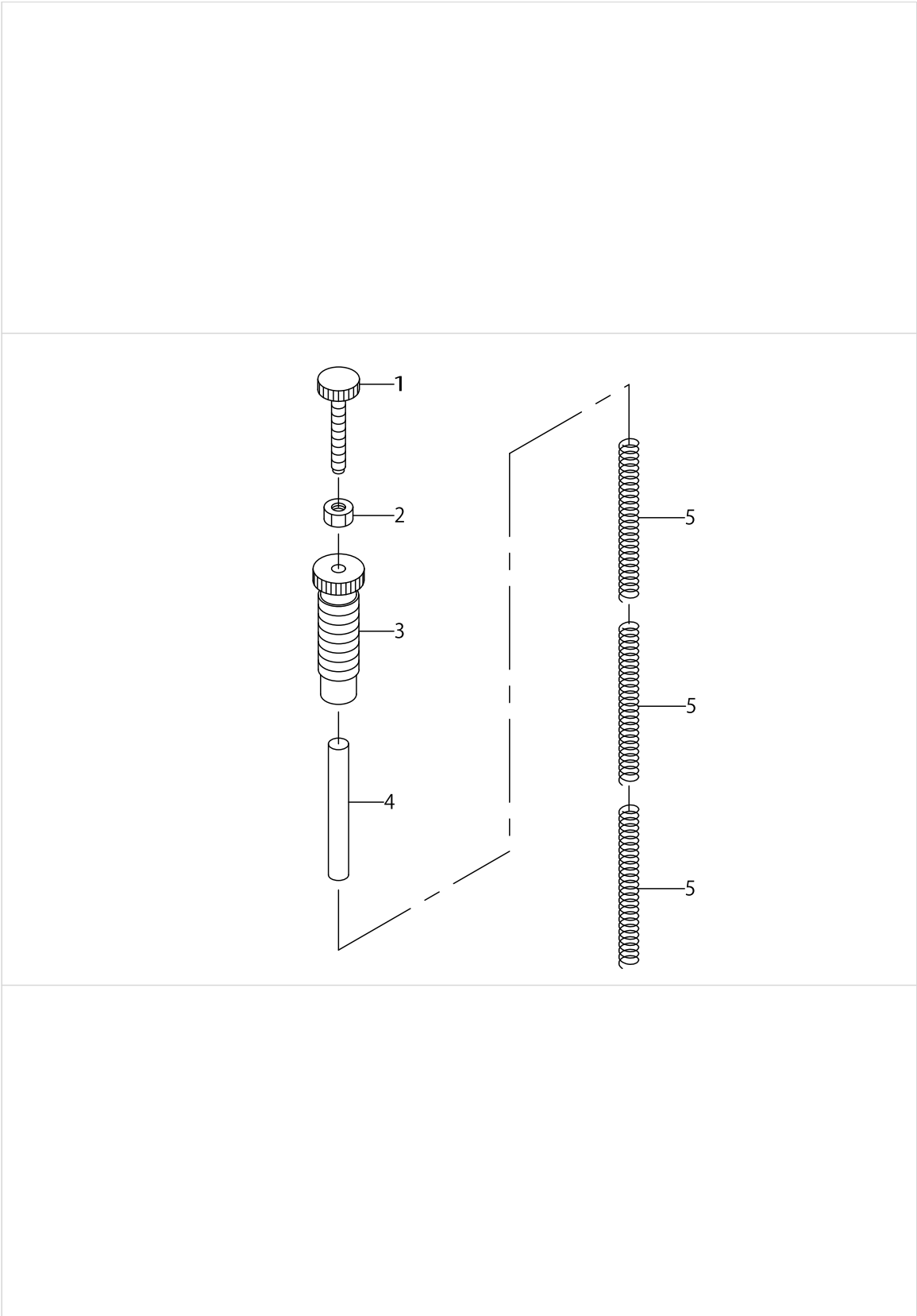
THREAD STAND COMPONENTS



THREAD STAND COMPONENTS

No.	Supply Code	Parts No.	Replacement	Parts name	Remarks	Choice	Step	Level	Cons	Qty	Rep. QTY
1		26910158		THREAD STANDING DEVICE ASM.						1	
2		26910059		THREAD GUIDE ARM ASM.	FOR LU-1560N-7					1	

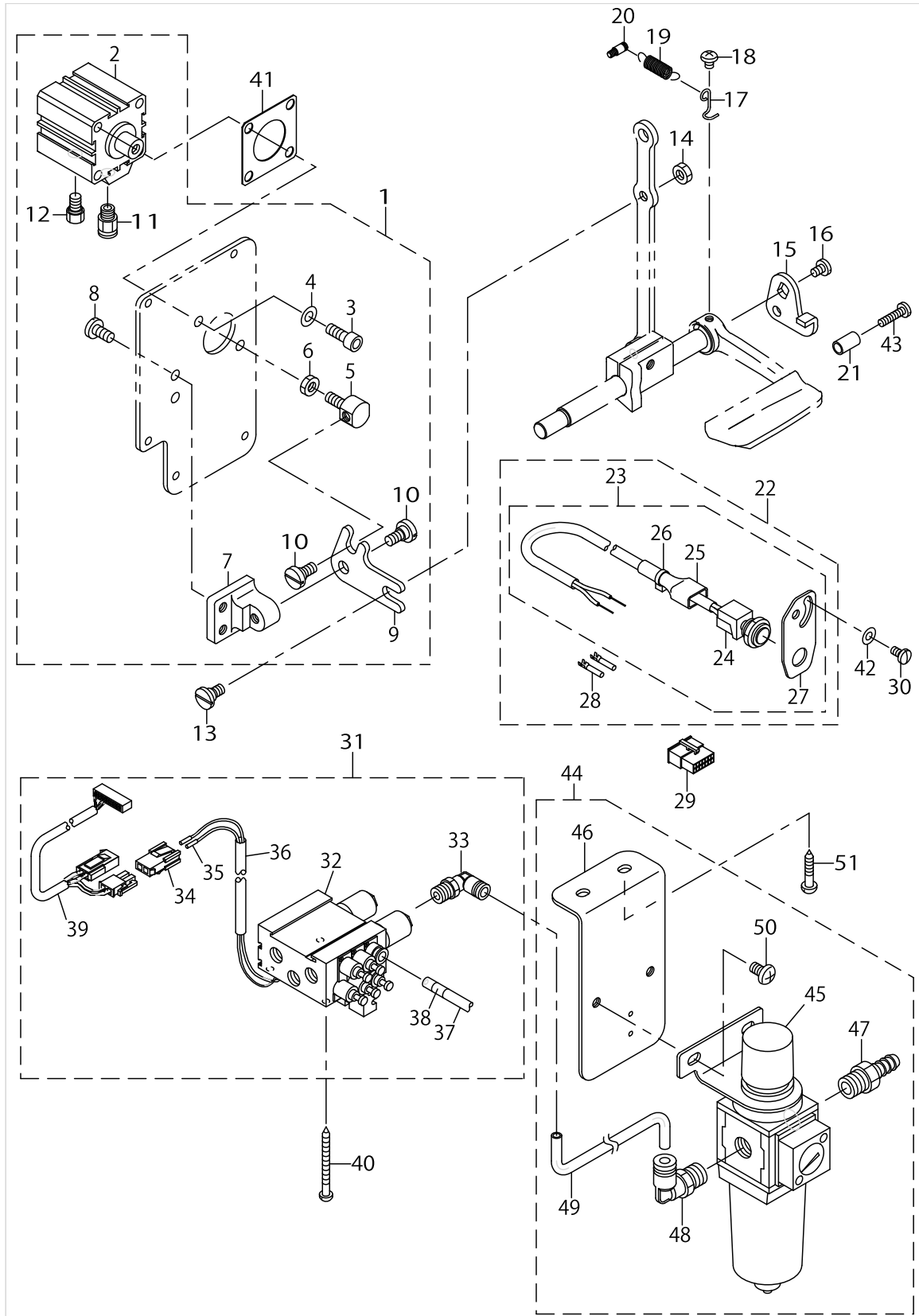
OPTIONAL PARTS (ADDITIONAL SPRING FOR PRESSER BAR) COMPONENTS



OPTIONAL PARTS (ADDITIONAL SPRING FOR PRESSER BAR) COMPONENTS

No.	Supply Code	Parts No.	Replacement	Parts name	Remarks	Choice	Step	Level	Cons	Qty	Rep. QTY
1		21006507		ADJUST SCREW B						1	
2		NS6110530SP		NUT 11/64-40						1	
3		21006408		ADJUST SCREW A						1	
4		21342407		GUIDE SHAFT						1	
5		21006002		ADJUST SPRING B						3	

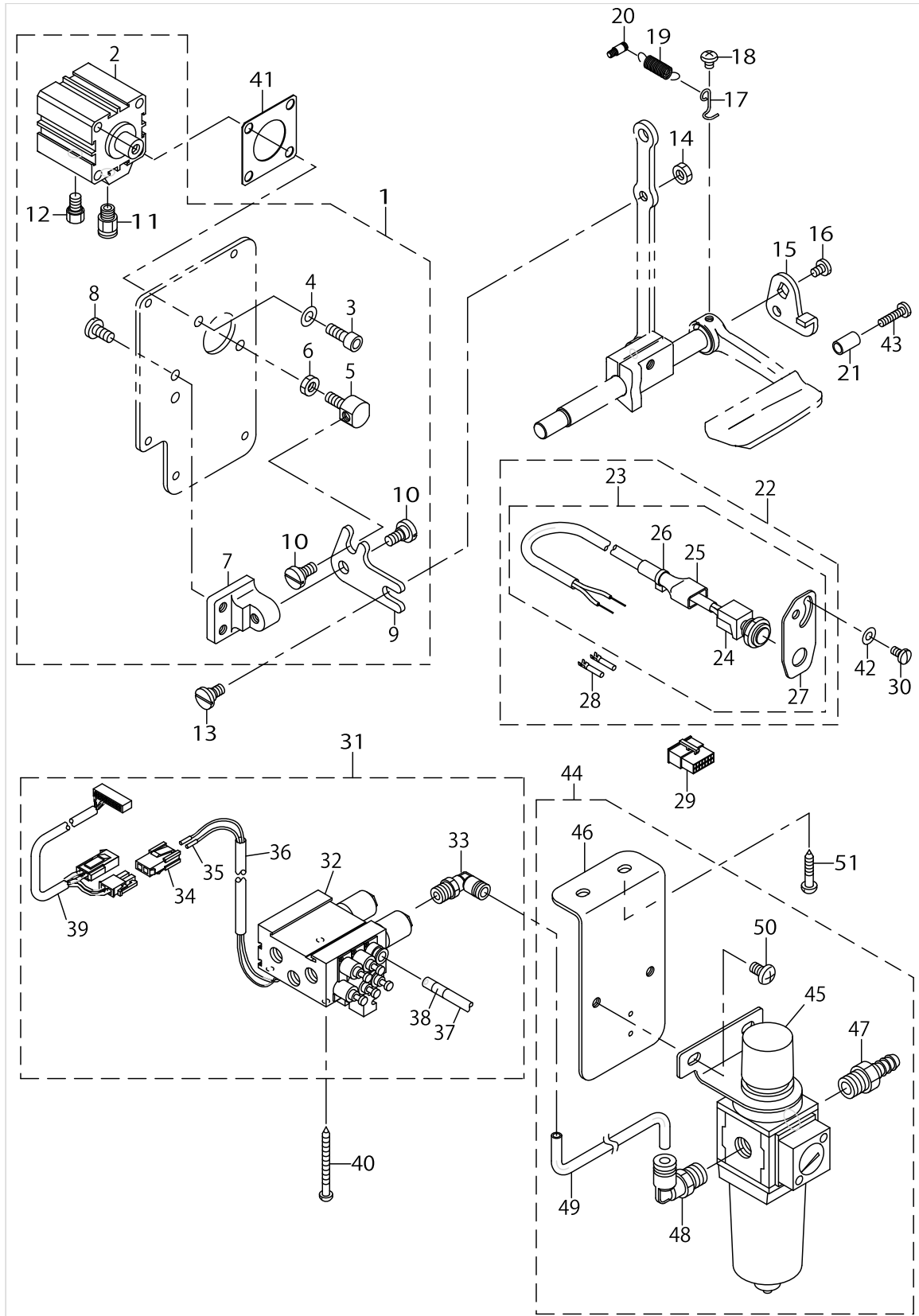
AUTOMATIC BACK COMPONENTS (OPTIONAL PARTS)



AUTOMATIC BACK COMPONENTS (OPTIONAL PARTS)

No.	Supply Code	Parts No.	Replacement	Parts name	Remarks	Choice	Step	Level	Cons	Qty	Rep. QTY
1		21348958		WINDOW PLATE ASM.						1	
2		PA320150200		JIG CYLINDER				*		1	
3		SM6061602TP		SCREW M6 L=16				*		2	
4		WP0641601SD		WASHER M6				*		2	
5		21348602		CYLINDER CONNECTING SCREW				*		1	
6		NM6060003SC		NUT M6				*		1	
7		21348503		FITTING BASE				*		1	
8		SS7151210SP		SCREW15/64-28L=12				*		2	
9		21348701		BACKWARD FEED LINK				*		1	
10		SD0800352SP		HINGE SCREW D=8 H=3.5				*		2	
11		PJ301065104		HALF UNION				*		1	
12		PX015101000		MUFFLER				*		1	
13		SD0800402TP		HINGESCREWD=8H=4						1	
14		NS6150430SP		NUT 15/64-28						1	
15		22656102		REVERSE FEED LINK (1)						1	
16		SS7120760SP		SCREW 3/16-28 L=7.0						1	
17		22656003		SPRINGSUSPENSION						1	
18		SS4120615SP		SCREW 3/16-28 L=6						1	
19		26226209		SPRING						1	
20		40023289		SPRINGSUSPENSION						1	
21		22952501		BACK LEVER STOPPER						1	
22		40056366		BT SWITCH C ASM.						1	
23		40056365		BT SWITCH B ASM.				*		1	
24		40056364		BT SWITCH A ASM.				*		1	
25		GTS01037000		CONNECTOR COVER				*		1	
26		EA9500B0100		CABLE BAND				*		1	
27	R	21388608	21388665	CABLE BAND				*		1	1.00
28		HK03464000A		TERMINAL FEMALE				*		2	
29		HK034610140		HOUSING 14P						1	
30		SS7110840SP		SCREW 11/64-40 L=7.8						2	
31		40107488		AIRAPPARATUSASM.						1	
32		40105335		ELECTROMAGNETIC VALVE (F)				*		1	
33		GAK29010000		ELBOW B				*		1	
34		HK034620020		2P PLUG				*		1	
35		HK03463000A		TERMINAL				*		2	
36		GAKA1503000		INSULATION TUBE				*		1	
37		BT0600401EB		TUBE				*		1.3	
38		HX002950000		WIRE MARK(1)				*		4	
39		40105811		CORD ASM.				*		1	
40		SK3385001SE		WOOD SCREW D=3.8 L=50						4	
41		21349105		CYLINDER PACKING						1	
42		WP0501016SD		WASHER 5X10.5X1						2	
43	R	SS7111810SP	SS7111810TP	SCREW11/64-40L=18						1	1.00
44		40038722		FILTER REGULATAR ASM.						1	
45		PF0552170A0		FILTER REGULATOR				*		1	
46		40038723		FILTER REGULATOR MOUNTING PLATE				*		1	

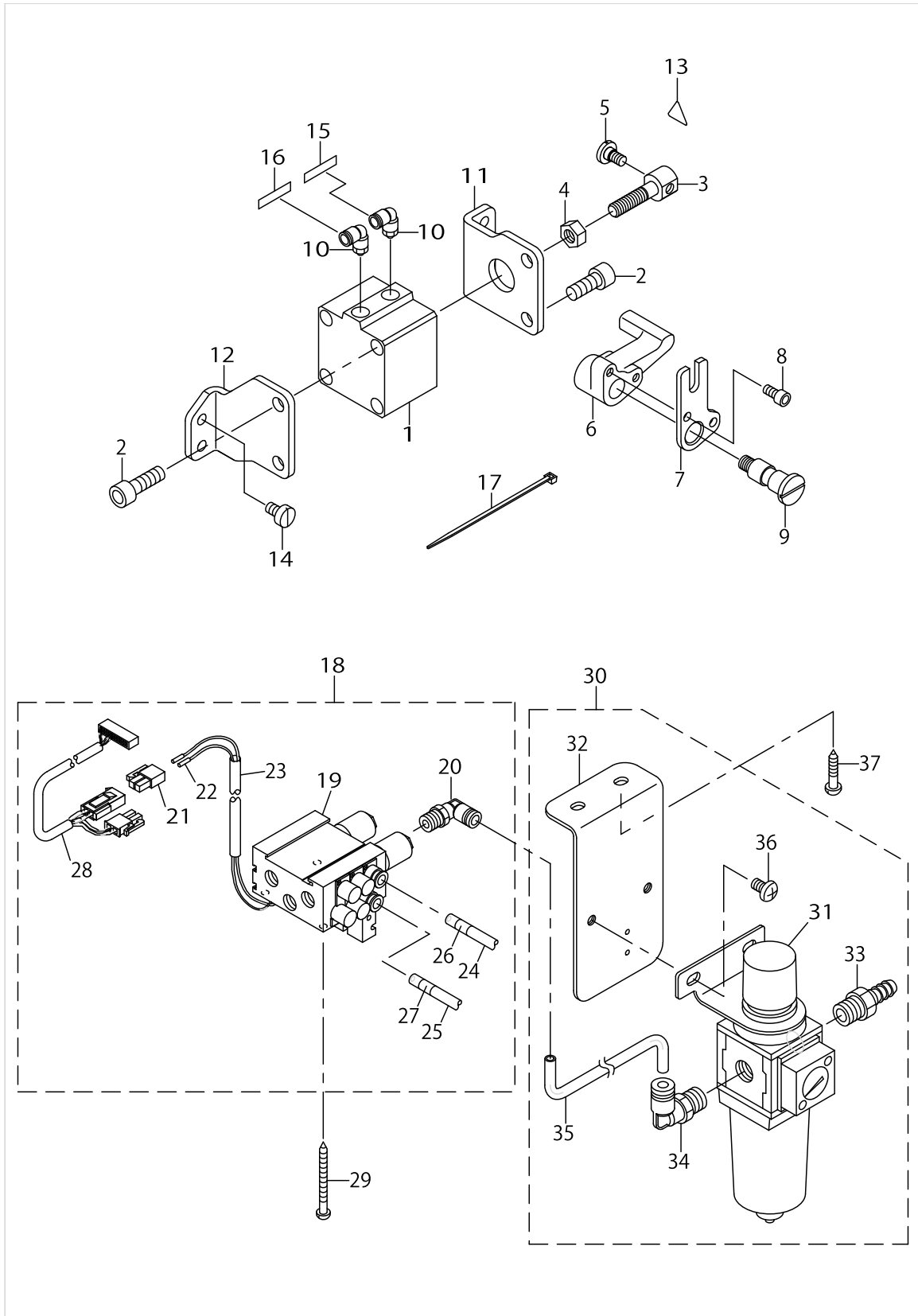
AUTOMATIC BACK COMPONENTS (OPTIONAL PARTS)



AUTOMATIC BACK COMPONENTS (OPTIONAL PARTS)

No.	Supply Code	Parts No.	Replacement	Parts name	Remarks	Choice	Step	Level	Cons	Qty	Rep. QTY
47		40107618		NIPPLE				*		1	
48		GAK29009000		ELBOW				*		1	
49		BT0600401EB		TUBE				*		0.28	
50		SM4061001SB		SCREW M6 L=10				*		2	
51		SK3482501SE		WOOD SCREW D=4.8 L=25				*		2	

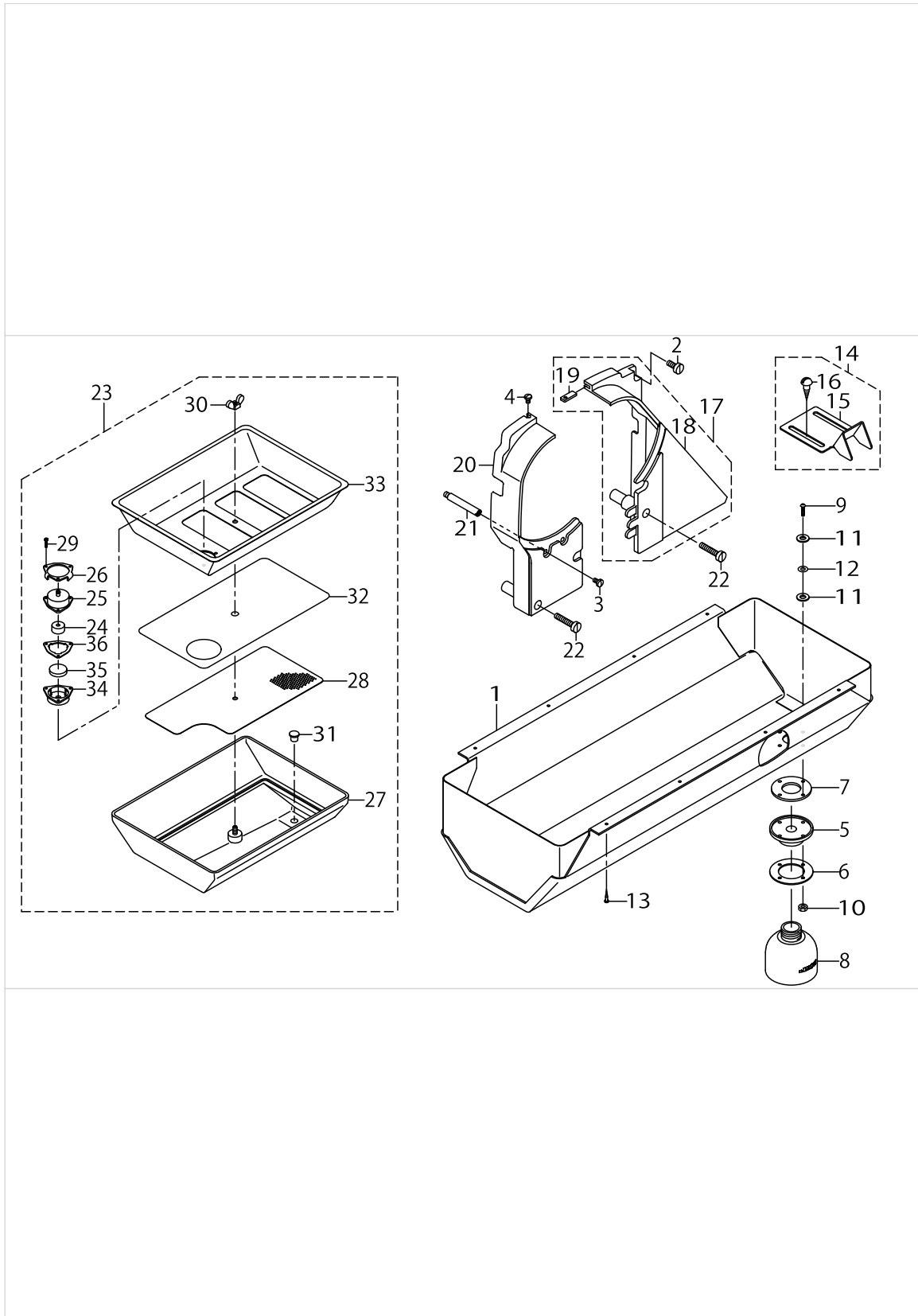
AUTOMATIC PRESSER LIFTING MECHANISM COMPONENTS (OPTIONAL PARTS)



AUTOMATIC PRESSER LIFTING MECHANISM COMPONENTS (OPTIONAL PARTS)

No.	Supply Code	Parts No.	Replacement	Parts name	Remarks	Choice	Step	Level	Cons	Qty	Rep. QTY
1		PA400150100		AIR CYLINDER						1	
2		SM6082002TP		SCREW M8 L=20						4	
3		21356506		CYLINDER CONNECTING SCREW						1	
4		NM6080001SE		NUT M8						1	
5		SD0720331SP		HINGE SCREW D=7.24 H=3.3						1	
6		21356605		LEVER A						1	
7		21356803		LEVER B						1	
8		SM6051002TP		SCREW M5X0.8 L=10						2	
9		21356704		SHAFT						1	
10		PJ304065101		ELBOW UNION 6XPT1/8						2	
11		21356308		CYLINDER STAY(FRONT)						1	
12		21356407		CYLINDER STAY(REAR)						1	
13		CM300200001		ATTENTION SEAL						1	
14		SS6151040SP		SCREW15/64-28L=10						4	
15		HX002950000		WIRE MARK(1)						1	
16		HX00295000A		WIRE MARK(2)						1	
17		EA9500B0100		CABLE BAND						3	
18		40103003		AIR APPARATUS(P)ASM.						1	
19		40038904		MAGNETIC VALVE(P)				*		1	
20		GAK29010000		ELBOW B				*		1	
21		HK034610020		2-POLE NYLON PLUG				*		1	
22		HK03464000A		TERMINAL FEMALE				*		2	
23		GAKA1503000		INSULATION TUBE				*		1	
24		BT0600401EB		TUBE				*		1.3	
25		BT0600401EB		TUBE				*		1.3	
26		HX00295000A		WIRE MARK(2)				*		4	
27		HX00295000B		WIRE MARK(3)				*		4	
28		40105811		CORD ASM.				*		1	
29		SK3385001SE		WOOD SCREW D=3.8 L=50						4	
30		40038722		FILTER REGULATAR ASM.						1	
31		PF0552170A0		FILTER REGULATOR				*		1	
32		40038723		FILTER REGULATOR MOUNTING PLATE				*		1	
33		40107618		NIPPLE				*		1	
34		GAK29009000		ELBOW				*		1	
35		BT0600401EB		TUBE				*		0.28	
36		SM4061001SB		SCREW M6 L=10				*		2	
37		SK3482501SE		WOOD SCREW D=4.8 L=25						2	

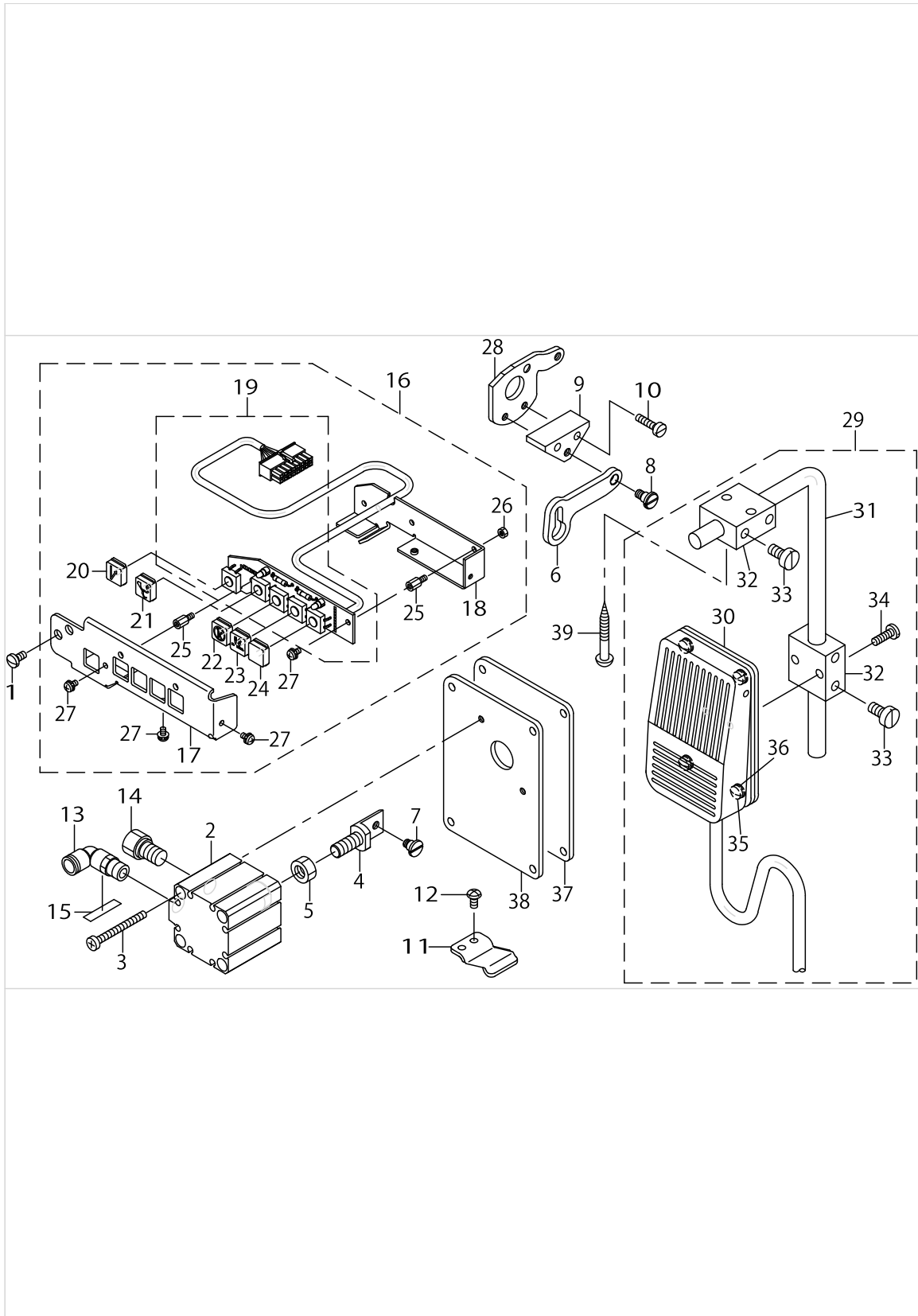
BELT COVER & OIL RESERVOIR COMPONENTS



BELT COVER & OIL RESERVOIR COMPONENTS

No.	Supply Code	Parts No.	Replacement	Parts name	Remarks	Choice	Step	Level	Cons	Qty	Rep. QTY
1		21351457		OIL RESERVOIR ASM.						1	
2		SS6151440SP		SCREW15/64-28L=14						1	
3		SS7110840SP		SCREW 11/64-40 L=7.8						1	
4		SS5110740TP		SCREW 11/64-40 L= 6.5						1	
5		40025299		OIL POT JOINT						1	
6		21379003		OIL MANAGEMENT WASHER						1	
7		B8112220000		OIL SEAL						1	
8		40025300		OIL POT						1	
9		SM3031401SE		SCREW M3X0.5 L=14						4	
10		NM6030001SC		NUT M3						4	
11		10748101		OIL REMOVING SET- SCREW PACKING						8	
12		WP0320501SC		WASHER M3						4	
13		SK3241601SC		WOOD SCREW D=2.4 L=16						8	
14		10755254		BELT COVER C ASM. (FOR JE)						1	
15		10755205		BELT COVER C(JE)				*		1	
16	R	SK3482500SC	SK3482501SE	WOOD SCREW D=4.8 L=25				*		2	1.00
17		21351150		BELT COVER ASM. (RIGHT)						1	
18	R	21351101	21351150	BELT COVER (RIGHT)				*		1	1.00
19		21351002		BELT COVER AUXILIARY PLATE				*		1	
20		21351200		BELT COVER (LEFT)						1	
21		D8232241E00		BELT COVER SUPPORT A						1	
22		SS6153040SP		SCREW15/64-28L=30						2	
23		21345350		OIL TANK ASM.						1	
24		10727303		FILTER				*		1	
25		10727204		FILTER CAP				*		1	
26		10753002		FILTER PLATE				*		1	
27		21345301		OIL TANK				*		1	
28		21346804		COVER(LOWER)				*		1	
29		SM6021000TP		SCREW				*		3	
30		NM9050001SC		WING NUT M5X0.8				*		1	
31		TA0800704R0		RUBBER PLUG				*		1	
32		21346903		FILTER				*		1	
33		21346705		COVER(REAR)				*		1	
34		21345509		FILTER CASE				*		1	
35		B8228125000		OIL RESERVOIR MAGNET				*		1	
36		10739209		FILTER PACKING				*		1	

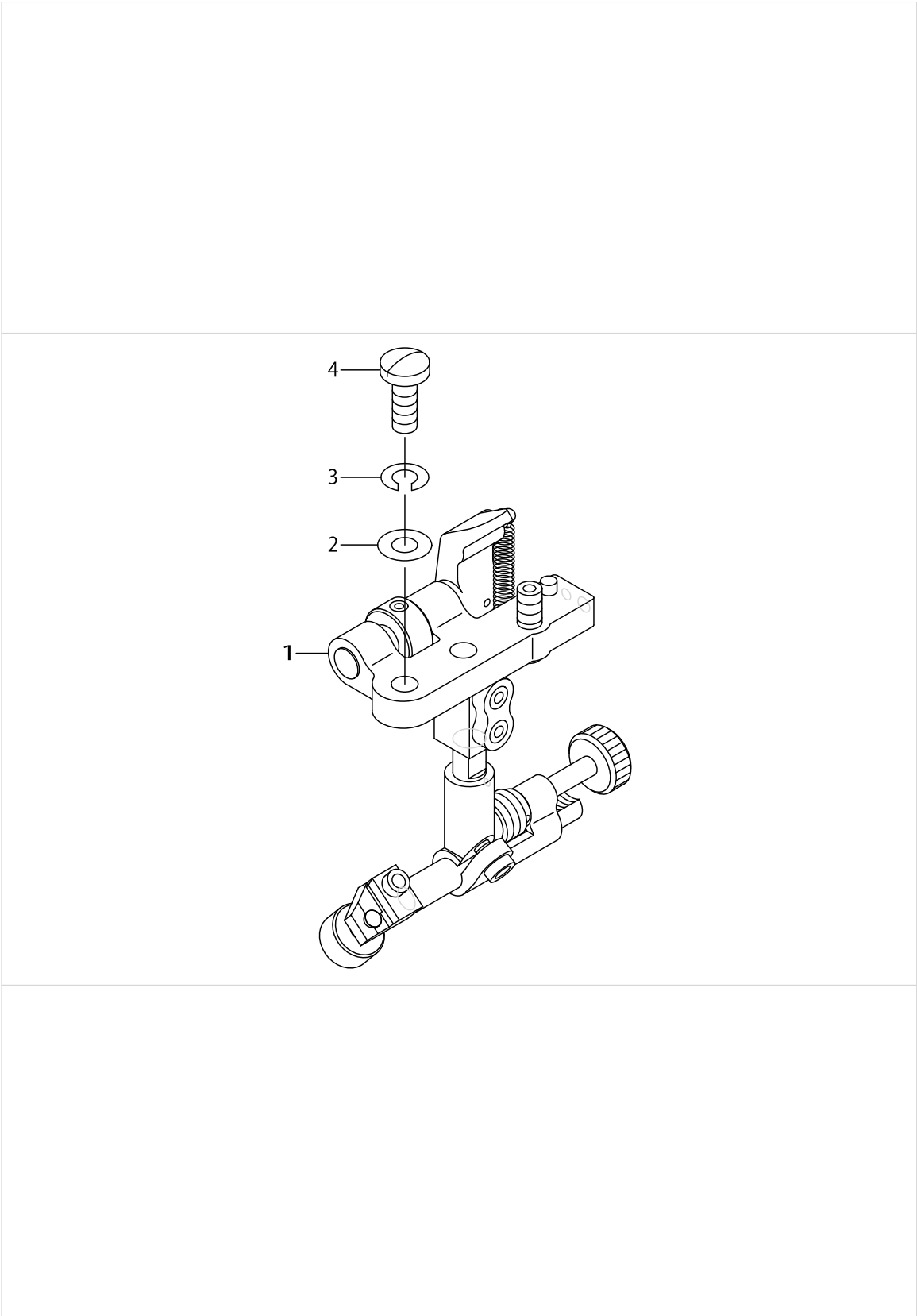
DL MECHANISM COMPONENTS (OPTIONAL PARTS)



DL MECHANISM COMPONENTS (OPTIONAL PARTS)

No.	Supply Code	Parts No.	Replacement	Parts name	Remarks	Choice	Step	Level	Cons	Qty	Rep. QTY
1		SS7110840SP		SCREW 11/64-40 L=7.8						2	
2		PA320200100		JIG CYLINDER						1	
3		SM6044002TP		SCREW						2	
4		21438403		CYLYNDER CONNECTING SCREW						1	
5		NM6080721SE		NUT M8						1	
6		21438502		MUTUAL VERTICAL LINK						1	
7		SD0600403TP		HINGE SCREW						1	
8		SD0600454TP		SHOULDER SCREW						1	
9		21438601		MUTUAL VERTICAL LINK SPACER						1	
10		SS6111610SP		SCREW11/64-40L=16						2	
11		21438700		MUTUAL VERTICAL LINK SUPPORT						1	
12		SS4110815SP		SCREW 11/64-40 L=8						2	
13		PJ304065101		ELBOW UNION 6XPT1/8						1	
14		PX015101000		MUFFLER						1	
15		HX00295000C		WIRE MARK(4)						1	
16		40102062		5RANGE SWITCH ASM.						1	
17		21442603		SWITCH COVER				*		1	
18		21442702		SWITCH CIRCUIT FITTING BASE				*		1	
19		40102061		5RANGE SWITCH SUB ASM.				*		1	
20		21442900		KEY TOP A				*		1	
21		21443007		KEY TOP B				*		1	
22		21443106		KEY TOP C				*		1	
23		21443205		KEY TOP D				*		1	
24		21443809		KEY TOP F				*		1	
25		HX00354000N		SPACER				*		4	
26		NM6030001SC		NUT M3				*		3	
27		SL4030631SC		SCREW M3X6				*		4	
28		21438106		STOPPER PLATE B						1	
29		40025036		KNEE SWITCH ASM.						1	
30		40025035		KNEE SWITCH ASM.				*		1	
31		MAT80231T00		DRIVING BAR T002				*		1	
32		MAT80230T00		KNEE SWITCH SUPPORT BASE				*		2	
33		SS6151220SP		SCREW 15/64-28 L=11.5				*		4	
34	R	SS7111410SP	SS7111410TP	SCREW11/64-40L=14				*		2	1.00
35		SS7110710SL		SCREW 11/64-40 L=7.0				*		4	
36		WP0480856SP		WASHER 4.8X8.4X0.8				*		4	
37		21437306		WINDOW PLATE E PACKING						1	
38		21437207		WINDOW PLATE F						1	
39	R	SK3514000SC	SK3514001SE	WOOD SCREW D=5.1 L=40						2	1.00

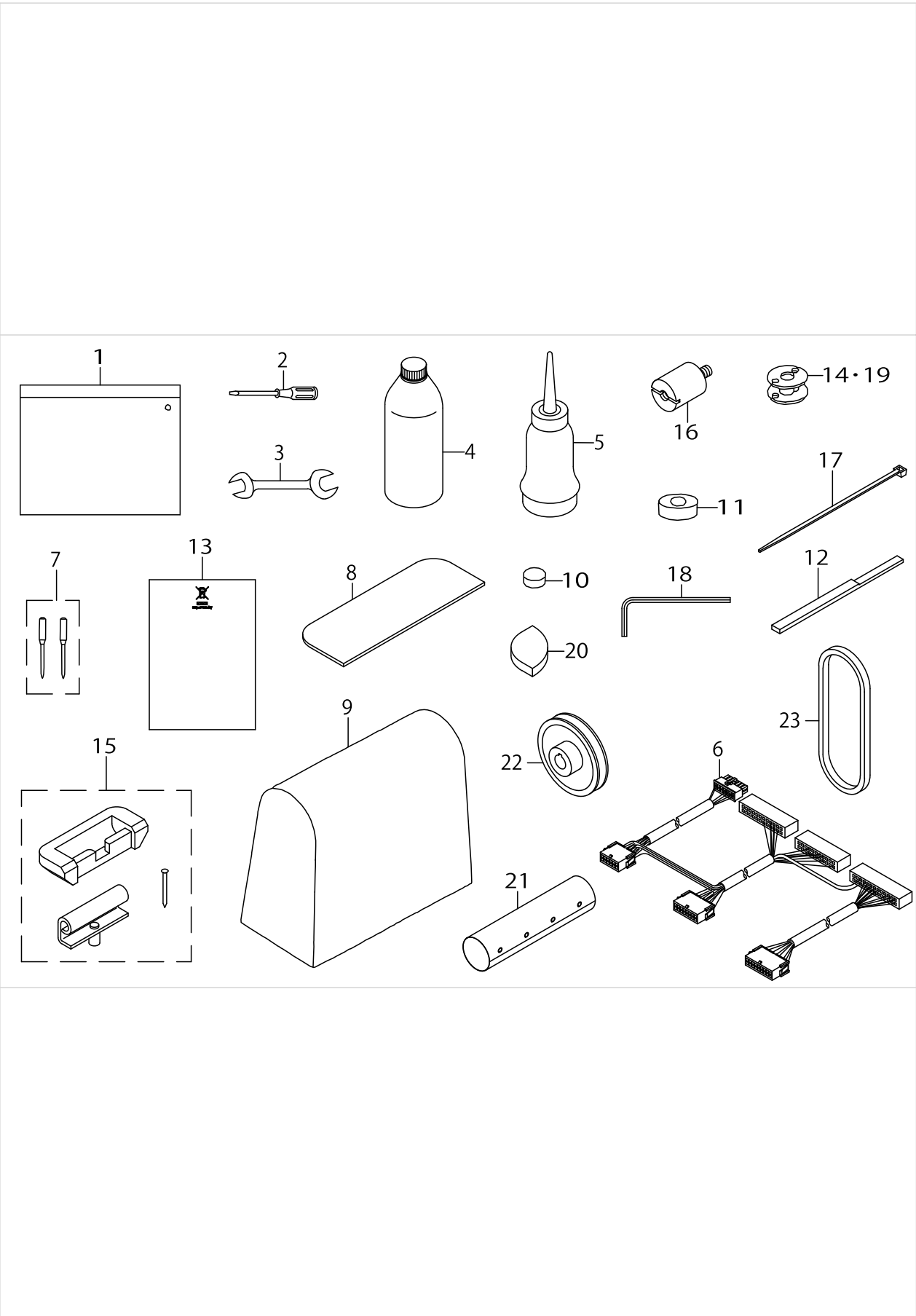
SUSPENSION SQUARE COMPONENTS (OPTIONAL PARTS)



SUSPENSION SQUARE COMPONENTS (OPTIONAL PARTS)

No.	Supply Code	Parts No.	Replacement	Parts name	Remarks	Choice	Step	Level	Cons	Qty	Rep. QTY
1		MAH152010A0		RULER						1	
2		WP0621016SD		WASHER 6.2X13X1						2	
3		WS0610002KN		SPRING WASHER 6.1X12.2X1.5						2	
4		SS7151610SP		SCREW15/64-28L=16						2	

ACCESSORIES PARTS COMPONENTS

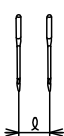
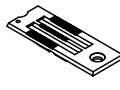
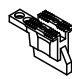


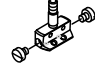


ACCESSORIES PARTS COMPONENTS



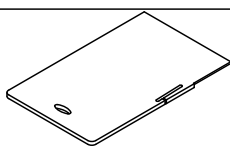
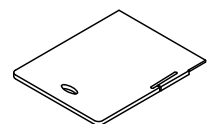
No.	Supply Code	Parts No.	Replacement	Parts name	Remarks	Choice	Step	Level	Cons	Qty	Rep. QTY
1		21413158		ACCESSORY BAG ASM.						1	
2		22933006		SCREW DRIVER LARGE						1	
3		B9113012000		WRENCH (9X10)						1	
4		MDFRX2700C0		NEW DEFRIX OIL NO.2(700CC)						1	
5		J1067000000		OILER						1	
6		40101742		RELAY CORD ASM.	FOR LU-1560N-7					1	
7		M13517B1602		NEEDLE 135X17 #160-2						1	
8		10742005		SPACER						2	
9		22933303		COVER						1	
10		B8206012000		FELT CUSHION						4	
11		B8209012000		RUBBER CUSHION						4	
12		21390307		FIXING KNIFE GAUGE						1	
13		CM600100201		WEEE INFORMATION SHEET						1	
14		21334800		ALUMINUM BOBBIN WITH KNURL	COMPLETE SET DELIV- ERY ONLY					1	
15		21413257		RUBBER HINGE ASM.						1	
16		40101368		PANEL STUD	FOR LU-1560N-7					2	
17		EA9500B0100		CABLE BAND	FOR LU-1560N-7					3	
18		B9102057000		WRENCH (3/32)						1	
19		B9117563000		BOBBIN	FOR LU-1560N					2	
20		B8207012000		CUSHION (A)						4	
21		40102736		BUTTON TUBE	FOR LU-1560N-7					.35	
22	D	MTSP00900B0		MOTOR PULLEY ASM. P.C.D 90	FOR LU-1560N-7					1	
23		MTJVH00430A		V BELT 43INCH	FOR LU-1560N-7					1	

TABLE OF EXCHANGING GAUGE PARTS

Common Parts
共通部品

Needle gauge size 針幅	Throat Plate 針板		Feed Dog 送り歯		Presser Foot asm. 押さえ足組		Presser Foot asm. (with Center guide) 押さえ足組 (センターガイド付)		Needle Clamp asm. 針留組	
	Ref.No	Part No.	Ref.No	Part No.	Ref.No	Part No.	Ref.No	Part No.	Ref.No	Part No.
										
(1/8)	1	213-68709	13	213-69400	25	213-70853			40	213-71554
(3/16)	2	213-66109	14	213-66604	26	213-67651			41	213-68154
(1/4)	3	213-66208	15	213-66703	27	213-67750			42	213-68253
(5/16)	4	213-66307	16	213-66802	28	213-67859	37	213-74657	43	213-68352
(3/8)	5	213-66406	17	213-66901	29	213-67958	38	213-74756	44	213-68451
(1/2)	6	213-66505	18	213-67008	30	213-68055	39	213-74855	45	213-68550
(5/8)	7	213-68808	19	213-69509	31	213-70952			46	213-71653
(3/4)	8	213-68907	20	213-69608	32	213-71059			47	213-71752
(7/8)	9	213-69004	21	213-69707	33	213-71158			48	213-71851
(1)	10	213-69103	22	213-69806	34	213-71257			49	213-71950
(1-1/8)	11	213-69202	23	213-69905	35	213-71356			50	213-72057
(1-1/4)	12	213-69301	24	213-70002	36	213-71455			51	213-72156

For LU-1560-7
LU-1560-7用

Needle gauge size 針幅	Feed Foot asm. 送り足組		Bed Slide asm. (Left) 滑り板 (左)		Bed Slide asm. (Right) 滑り板 (右)	
	Ref.No	Part No.	Ref.No	Part No.	Ref.No	Part No.
						
(1/8)	52	213-70150	63	213-65606	66	213-65002
(3/16)	53	213-67156				
(1/4)	54	213-67255				
(5/16)	55	213-67354				
(3/8)	56	213-67453				
(1/2)	57	213-67552	64	213-65705	67	213-65101
(5/8)	58	213-70259				
(3/4)	59	213-70358				
(7/8)	60	213-70457	65	213-65804	68	213-65200
(1)	61	213-70556				
(1-1/8)	62	213-70655				

For LU-1560
LU-1560用




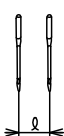
Needle gauge size 針幅	Feed Foot asm. 送り足組		Feed Foot asm. (Option) 送り足組 (オプション)	
	Ref.No	Part No.	Ref.No	Part No.
				 Slit スリット入り
(1/8)	69	213-72255	81	213-73451
(3/16)	70	213-72354	82	213-73550
(1/4)	71	213-72453	83	213-73659
(5/16)	72	213-72552	84	213-73758
(3/8)	73	213-72651	85	213-73857
(1/2)	74	213-72750	86	213-73956
(5/8)	75	213-72859	87	213-74053
(3/4)	76	213-72958	88	213-74152
(7/8)	77	213-73055	89	213-74251
(1)	78	213-73154	90	213-74350
(1-1/8)	79	213-73253	91	213-74459
(1-1/4)	80	213-73352	92	213-74558

TABLE OF EXCHANGING GAUGE PARTS


No.	Supply Code	Parts No.	Replacement	Parts name	Remarks	Choice	Step	Level	Cons	Qty	Rep. QTY
1		21368709		NEEDLE PLATE 1/8						1	
2		21366109		NEEDLE PLATE 3/16						1	
3		21366208		NEEDLE PLATE 1/4						1	
4		21366307		NEEDLE PLATE 5/16						1	
5		21366406		NEEDLE PLATE 3/8						1	
6		21366505		NEEDLE PLATE 1/2						1	
7		21368808		NEEDLE PLATE 5/8						1	
8		21368907		NEEDLE PLATE 3/4						1	
9		21369004		NEEDLE PLATE 7/8						1	
10		21369103		NEEDLE PLATE 1						1	
11		21369202		NEEDLE PLATE 1-1/8						1	
12		21369301		NEEDLE PLATE 1-1/4	EXCLSIVE LU-1560N					1	
13		21369400		FEED DOG 1/8						1	
14		21366604		FEED DOG 3/16						1	
15		21366703		FEED DOG 1/4						1	
16		21366802		FEED DOG 5/16						1	
17		21366901		FEED DOG 3/8						1	
18		21367008		FEED DOG 1/2						1	
19		21369509		FEED DOG 5/8						1	
20		21369608		FEED DOG 3/4						1	
21		21369707		FEED DOG 7/8						1	
22		21369806		FEED DOG 1						1	
23		21369905		FEED DOG 1-1/8						1	
24		21370002		FEED DOG 1-1/4	EXCLSIVE LU-1560N					1	
25		21370853		PRESSER FOOT ASM. 1/8						1	
26		21367651		PRESSER FOOT ASM. 3/16						1	
27		21367750		PRESSER FOOT ASM. 1/4						1	
28		21367859		PRESSER FOOT ASM. 5/16						1	
29		21367958		PRESSER FOOT ASM. 3/8						1	
30		21368055		PRESSER FOOT ASM. 1/2						1	
31		21370952		PRESSER FOOT ASM. 5/8						1	
32		21371059		PRESSER FOOT ASM. 3/4						1	
33		21371158		PRESSER FOOT ASM. 7/8						1	
34		21371257		PRESSER FOOT ASM. 1						1	
35		21371356		PRESSER FOOT ASM. 1-1/8						1	
36		21371455		PRESSER FOOT ASM. 1-1/4	EXCLSIVE LU-1560N					1	
37		21374657		PRESSER FOOT 5/16 ASM.						1	
38		21374756		PRESSER FOOT 3/8 ASM.						1	
39		21374855		PRESSER FOOT 1/2 ASM.						1	
40		21371554		NEEDLE CLAMP 1/8 ASM.						1	
41		21368154		NEEDLE CLAMP 3/16 ASM.						1	
42		21368253		NEEDLE CLAMP 1/4 ASM.						1	
43		21368352		NEEDLE CLAMP 5/16 ASM.						1	
44		21368451		NEEDLE CLAMP 3/8 ASM.						1	
45		21368550		NEEDLE CLAMP 1/2 ASM.						1	

TABLE OF EXCHANGING GAUGE PARTS

Common Parts
共通部品

Needle gauge size 針幅	Throat Plate 針板		Feed Dog 送り歯		Presser Foot asm. 押さえ足組		Presser Foot asm. (with Center guide) 押さえ足組 (センターガイド付)		Needle Clamp asm. 針留組	
	Ref.No	Part No.	Ref.No	Part No.	Ref.No	Part No.	Ref.No	Part No.	Ref.No	Part No.
										
(1/8)	1	213-68709	13	213-69400	25	213-70853			40	213-71554
(3/16)	2	213-66109	14	213-66604	26	213-67651			41	213-68154
(1/4)	3	213-66208	15	213-66703	27	213-67750			42	213-68253
(5/16)	4	213-66307	16	213-66802	28	213-67859	37	213-74657	43	213-68352
(3/8)	5	213-66406	17	213-66901	29	213-67958	38	213-74756	44	213-68451
(1/2)	6	213-66505	18	213-67008	30	213-68055	39	213-74855	45	213-68550
(5/8)	7	213-68808	19	213-69509	31	213-70952			46	213-71653
(3/4)	8	213-68907	20	213-69608	32	213-71059			47	213-71752
(7/8)	9	213-69004	21	213-69707	33	213-71158			48	213-71851
(1)	10	213-69103	22	213-69806	34	213-71257			49	213-71950
(1-1/8)	11	213-69202	23	213-69905	35	213-71356			50	213-72057
(1-1/4)	12	213-69301	24	213-70002	36	213-71455			51	213-72156

For LU-1560-7
LU-1560-7用

Needle gauge size 針幅	Feed Foot asm. 送り足組		Bed Slide asm. (Left) 滑り板 (左)		Bed Slide asm. (Right) 滑り板 (右)	
	Ref.No	Part No.	Ref.No	Part No.	Ref.No	Part No.
						
(1/8)	52	213-70150	63	213-65606	66	213-65002
(3/16)	53	213-67156				
(1/4)	54	213-67255				
(5/16)	55	213-67354				
(3/8)	56	213-67453				
(1/2)	57	213-67552	64	213-65705	67	213-65101
(5/8)	58	213-70259				
(3/4)	59	213-70358				
(7/8)	60	213-70457	65	213-65804	68	213-65200
(1)	61	213-70556				
(1-1/8)	62	213-70655				

For LU-1560
LU-1560用


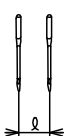
Needle gauge size 針幅	Feed Foot asm. 送り足組		Feed Foot asm. (Option) 送り足組 (オプション)	
	Ref.No	Part No.	Ref.No	Part No.
				
(1/8)	69	213-72255	81	213-73451
(3/16)	70	213-72354	82	213-73550
(1/4)	71	213-72453	83	213-73659
(5/16)	72	213-72552	84	213-73758
(3/8)	73	213-72651	85	213-73857
(1/2)	74	213-72750	86	213-73956
(5/8)	75	213-72859	87	213-74053
(3/4)	76	213-72958	88	213-74152
(7/8)	77	213-73055	89	213-74251
(1)	78	213-73154	90	213-74350
(1-1/8)	79	213-73253	91	213-74459
(1-1/4)	80	213-73352	92	213-74558

TABLE OF EXCHANGING GAUGE PARTS


No.	Supply Code	Parts No.	Replacement	Parts name	Remarks	Choice	Step	Level	Cons	Qty	Rep. QTY	
46		21371653		NEEDLE CLAMP 5/8 ASM.	EXCLSIVE LU-1560N					1		
47		21371752		NEEDLE CLAMP 3/4 ASM.							1	
48		21371851		NEEDLE CLAMP 7/8 ASM.							1	
49		21371950		NEEDLE CLAMP 1 ASM.							1	
50		21372057		NEEDLE CLAMP 1-1/8 ASM.							1	
51		21372156		NEEDLE CLAMP 1-1/4 ASM.							1	
52		21370150		WALKING FOOT 1/8 ASM.							1	
53		21367156		WALKING FOOT 3/16 ASM.							1	
54		21367255		WALKING FOOT 1/4 ASM.							1	
55		21367354		WALKING FOOT 5/16 ASM.							1	
56		21367453		WALKING FOOT 3/8 ASM.							1	
57		21367552		WALKING FOOT 1/2 ASM.							1	
58		21370259		WALKING FOOT 5/8 ASM.							1	
59		21370358		WALKING FOOT 3/4 ASM.							1	
60		21370457		WALKING FOOT 7/8 ASM.							1	
61		21370556		WALKING FOOT 1 ASM.							1	
62		21370655		WALKING FOOT 1-1/8 ASM.							1	
63		21365606		BED SLIDE(LEFT) A							1	
64		21365705		BED SLIDE(LEFT) B							1	
65		21365804		BED SLIDE(LEFT) C							1	
66		21365002		BED SLIDE(RIGHT) A							1	
67		21365101		BED SLIDE(RIGHT) B							1	
68		21365200		BED SLIDE(RIGHT) C							1	
69		21372255		WALKING FOOT 1/8 ASM.							1	
70		21372354		WALKING FOOT 3/16 ASM.							1	
71		21372453		WALKING FOOT 1/4 ASM.							1	
72		21372552		WALKING FOOT 5/16 ASM.							1	
73		21372651		WALKING FOOT 3/8 ASM.							1	
74		21372750		WALKING FOOT 1/2 ASM.							1	
75		21372859		WALKING FOOT 5/8 ASM.							1	
76		21372958		WALKING FOOT 3/4 ASM.							1	
77		21373055		WALKING FOOT 7/8 ASM.							1	
78		21373154		WALKING FOOT 1 ASM.							1	
79		21373253		WALKING FOOT 1-1/8 ASM.							1	
80		21373352		WALKING FOOT 1-1/4 ASM.							1	
81		21373451		WALKING FOOT 1/8 ASM.							1	
82		21373550		WALKING FOOT 3/16 ASM.							1	
83		21373659		WALKING FOOT 1/4 ASM.							1	
84		21373758		WALKING FOOT 5/16 ASM.							1	
85		21373857		WALKING FOOT 3/8 ASM.							1	
86		21373956		WALKING FOOT 1/2 ASM.							1	
87		21374053		WALKING FOOT 5/8 ASM.							1	
88		21374152		WALKING FOOT 3/4 ASM.							1	
89	D	21374251		WALKING FOOT 7/8 ASM.							1	
90		21374350		WALKING FOOT 1 ASM.							1	
91		21374459		WALKING FOOT 1-1/8 ASM.							1	

TABLE OF EXCHANGING GAUGE PARTS

Common Parts
共通部品

Needle gauge size 針幅	Throat Plate 針板		Feed Dog 送り歯		Presser Foot asm. 押さえ足組		Presser Foot asm. (with Center guide) 押さえ足組 (センターガイド付)		Needle Clamp asm. 針留組	
	Ref.No	Part No.	Ref.No	Part No.	Ref.No	Part No.	Ref.No	Part No.	Ref.No	Part No.
										
(1/8)	1	213-68709	13	213-69400	25	213-70853			40	213-71554
(3/16)	2	213-66109	14	213-66604	26	213-67651			41	213-68154
(1/4)	3	213-66208	15	213-66703	27	213-67750			42	213-68253
(5/16)	4	213-66307	16	213-66802	28	213-67859	37	213-74657	43	213-68352
(3/8)	5	213-66406	17	213-66901	29	213-67958	38	213-74756	44	213-68451
(1/2)	6	213-66505	18	213-67008	30	213-68055	39	213-74855	45	213-68550
(5/8)	7	213-68808	19	213-69509	31	213-70952			46	213-71653
(3/4)	8	213-68907	20	213-69608	32	213-71059			47	213-71752
(7/8)	9	213-69004	21	213-69707	33	213-71158			48	213-71851
(1)	10	213-69103	22	213-69806	34	213-71257			49	213-71950
(1-1/8)	11	213-69202	23	213-69905	35	213-71356			50	213-72057
(1-1/4)	12	213-69301	24	213-70002	36	213-71455			51	213-72156

For LU-1560-7
LU-1560-7用

Needle gauge size 針幅	Feed Foot asm. 送り足組		Bed Slide asm. (Left) 滑り板 (左)		Bed Slide asm. (Right) 滑り板 (右)	
	Ref.No	Part No.	Ref.No	Part No.	Ref.No	Part No.
						
(1/8)	52	213-70150	63	213-65606	66	213-65002
(3/16)	53	213-67156				
(1/4)	54	213-67255				
(5/16)	55	213-67354				
(3/8)	56	213-67453				
(1/2)	57	213-67552	64	213-65705	67	213-65101
(5/8)	58	213-70259				
(3/4)	59	213-70358				
(7/8)	60	213-70457	65	213-65804	68	213-65200
(1)	61	213-70556				
(1-1/8)	62	213-70655				

For LU-1560
LU-1560用


Needle gauge size 針幅	Feed Foot asm. 送り足組		Feed Foot asm. (Option) 送り足組 (オプション)	
	Ref.No	Part No.	Ref.No	Part No.
				
(1/8)	69	213-72255	81	213-73451
(3/16)	70	213-72354	82	213-73550
(1/4)	71	213-72453	83	213-73659
(5/16)	72	213-72552	84	213-73758
(3/8)	73	213-72651	85	213-73857
(1/2)	74	213-72750	86	213-73956
(5/8)	75	213-72859	87	213-74053
(3/4)	76	213-72958	88	213-74152
(7/8)	77	213-73055	89	213-74251
(1)	78	213-73154	90	213-74350
(1-1/8)	79	213-73253	91	213-74459
(1-1/4)	80	213-73352	92	213-74558

TABLE OF EXCHANGING GAUGE PARTS

No.	Supply Code	Parts No.	Replacement	Parts name	Remarks	Choice	Step	Level	Cons	Qty	Rep. QTY
92		21374558		WALKING FOOT 1-1/4 ASM.						1	

LIST FOR INFORMATION OF CHANGE

As to the place changed, refer to the corresponding Rev.No.
 When previous parts(Obsoleted part)and new parts(Added parts)are not interchangeable with each other:
 In this case, even obsoleted parts(D.) can be ordered with the obsoleted part number, so select the parts with changed dates and place your orders.

変更箇所は、該当Rev.No.版をご参照ください。
 部品の互換性がない変更の場合は、削除された品番でも、ご注文できます。

29359205
 No.1340-08・・Rev.No.

*A:Added parts追加部品/D:Obsoleted parts削除部品/E:Erratum訂正

* Rev. No.	Page No.	Ref. No.	Parts No. 品番	* Rev. No.	Page No.	Ref. No.	Parts No. 品番	
D	07	4	26	B1203-512-000	A	08	4 26	401-43083
D	07	4	36	B1309-055-000	A	08	4 36	401-13224
D	07	14	64	WP-0621016-SD	A	08	14 64	WP-0651056-SD
D	07	26	-	No.2~No.20				
D	07	26	-	No.22~No.30				

HOW TO MAKE USE OF THIS PARTS LIST

1.Explanation of codes

1)"*"mark.....means this part is changed from the previous parts book.

As to the details of the change, refer to the "List for information of change".

2)"#01".....refer to "Note" explanation at bottom of page.

2.Codes on the "Qty" column

- Each numeral indicates the number of parts required.
- "0.1" and "2.5" indicate the length (in meters) of the respective parts.

3.Parentheses mean that the corresponding part is a subpart that constructs an assembly part.

4.Dotted lines on the Figures indicate assembly parts.

1."注記"欄の記号説明

1) "*"印.....前回のパーツブックに比較して今回変更された部品を意味します。

変更内容は、"変更情報リスト"を参照してください。

2) "#01".....ページ下の"注記"の説明を参照してください。

2.数量欄の数字は、個数を表し、0.1、2.5等の数値は、長さ（単位メートル）を表します。

3.数量欄の（ ）は、組部品を構成している子部品であることを意味します。

4.イラストページの-----枠は、組構成であることを意味します。

NUMERICAL INDEX OF PARTS

PART NO	PAGE	REF NO.	PART NO	PAGE	REF NO.	PART NO	PAGE	REF NO.
10107902	18	3	10774404	14	59	21337506	18	23
10109700	24	56~62	11072204	32	19	21337605	18	35
10109809	24	56~62	11072402	32	13	21337704	18	24
10109908	22	25	13765607	44	42	21337803	16	92
10110906	24	56~62	14512503	38	17	21337803	18	68
10111003	24	56~62	17912106	2	26	21337803	20	68
10111102	22	20·21	21006002	50	5	21337902	18	31
10111201	24	56~62	21006408	50	3	21338306	18	29
10112407	22	26	21006507	50	1	21338603	10	18
10112506	24	56~62	21048707	14	88	21338801	10	20
10112605	24	56~62	21331202	2	11	21338900	10	22
10112704	22	20·21	21331301	2	4	21339007	10	28
10116804	26	27	21331608	2	18	21339056	10	27
10124204	32	10	21331756	2	8	21339106	6	7
10124303	32	14	21331806	2	12	21339304	10	25
10124501	32	3	21332002	2	13	21339502	6	15
10126803	46	59	21332101	4	55	21339601	14	71
10201200	4	58	21332200	4	51	21339700	14	73·82
10205201	18	20	21332309	2	16	21339809	14	79
10321107	32	34~36	21332507	6	12	21340005	14	87
10502300	38	21	21332705	6	1	21340104	12	31
10509701	12	22	21333000	6	2	21340302	14	90
10604809	8	71	21333109	6	17	21340401	12	1
10618304	38	8	21333406	8	58	21340500	12	2
10622009	4	78	21333703	6	22·60	21340708	44	11
10704807	38	19	21333901	8	22·60	21340906	16	97
10713501	14	75	21334008	8	61	21341151	14	46
10713808	14	83	21334701	22	24	21341508	14	68
10714202	14	70	21334800	22	34·35	21341607	14	65
10714608	14	85	21334800	64	14·19	21342407	50	4
10715100	14	60	21334909	22	5·6	21342506	36	4
10715308	14	66	21335104	22	1·3	21342555	36	3
10715704	14	62	21335500	22	10·11	21342605	36	5
10716504	14	76	21335708	22	12·13	21342704	36	9
10718203	14	69	21335807	22	16·17	21342803	36	13
10727204	58	25	21336300	20	56	21342902	36	17
10727303	58	24	21336508	6	20	21343009	36	11
10739209	58	36	21336557	6	19	21343108	36	32
10742005	64	8	21336607	20	49	21343157	36	30
10748101	58	11	21336656	20	48	21343207	36	1
10753002	58	26	21336706	20	53	21343355	36	21
10755205	58	15	21336805	20	41	21343405	36	19
10755254	58	14	21337209	18	38	21343702	36	6
10774305	14	58	21337308	18	33	21343801	36	7
10774354	14	57	21337407	18	26	21345103	44	34

NUMERICAL INDEX OF PARTS

PART NO	PAGE	REF NO.	PART NO	PAGE	REF NO.	PART NO	PAGE	REF NO.
21345202	44	36	21354204	26	42	21366406	66	5
21345301	58	27	21354501	26	21	21366505	66	6
21345350	58	23	21354600	28	55	21366604	66	14
21345509	58	34	21354709	28	58	21366703	66	15
21345608	44	25	21354907	28	63	21366802	66	16
21345707	44	2	21355102	28	54	21366901	20	42
21345756	44	1	21355706	38	24	21366901	66	17
21345806	44	3	21355755	38	23	21367008	66	18
21345905	44	4	21355904	2	6	21367156	68	53
21346002	44	18	21356001	38	6	21367255	68	54
21346101	46	53	21356308	40	11	21367354	68	55
21346200	46	54	21356308	56	11	21367453	14	51·52
21346309	44	6	21356407	40	12	21367453	68	56
21346358	44	5	21356407	56	12	21367552	68	57
21346408	44	8	21356506	40	3	21367651	66	26
21346507	44	7	21356506	56	3	21367750	66	27
21346606	46	56	21356605	56	6	21367859	66	28
21346705	58	33	21356704	40	9	21367958	14	55
21346804	58	28	21356704	56	9	21367958	66	29
21346903	58	32	21356803	40	7	21368055	66	30
21347000	44	14	21356803	56	7	21368154	66	41
21347109	12	13	21357959	38	3	21368253	66	42
21347208	44	16	21357967	38	1	21368352	66	43
21347406	10	30	21358205	38	9	21368451	10	11
21348206	32	34~36	21361407	4	63	21368451	66	44
21348503	30	7	21361704	22	36	21368550	66	45
21348503	52	7	21362108	22	2·4	21368709	66	1
21348602	30	5	21362504	10	1	21368808	66	7
21348602	52	5	21363106	34	3	21368907	66	8
21348701	30	9	21363601	26	41	21369004	66	9
21348701	52	9	21364104	18	10	21369103	66	10
21348909	2	41	21364203	18	2	21369202	66	11
21348958	52	1	21364252	18	1	21369301	66	12
21349105	30	1	21365002	2	42	21369400	66	13
21349105	52	41	21365002	68	66	21369509	66	19
21351002	58	19	21365101	68	67	21369608	66	20
21351101	58	18	21365200	68	68	21369707	66	21
21351150	58	17	21365606	2	40	21369806	66	22
21351200	58	20	21365606	68	63	21369905	66	23
21351457	58	1	21365705	68	64	21370002	66	24
21353008	8	56	21365804	68	65	21370150	68	52
21353701	26	24	21366109	66	2	21370259	68	58
21353750	26	23	21366208	66	3	21370358	68	59
21354006	26	26	21366307	66	4	21370457	68	60
21354105	26	37	21366406	2	36	21370556	68	61

NUMERICAL INDEX OF PARTS

PART NO	PAGE	REF NO.	PART NO	PAGE	REF NO.	PART NO	PAGE	REF NO.
21370655	68	62	21378302	18	13	21430400	20	67
21370853	66	25	21378401	22	22·23	21437207	60	38
21370952	66	31	21378500	22	22·23	21437306	60	37
21371059	66	32	21378708	38	29	21437900	12	36
21371158	66	33	21378906	20	54	21438106	60	28
21371257	66	34	21379003	58	6	21438205	14	73·82
21371356	66	35	21387055	22	32·33	21438403	60	4
21371455	66	36	21387402	20	64	21438502	60	6
21371554	66	40	21387501	6	31	21438601	60	9
21371653	68	46	21387600	6	34	21438700	60	11
21371752	68	47	21387709	6	33	21441100	32	5
21371851	68	48	21387808	6	38	21441209	34	7
21371950	68	49	21387907	8	69	21441308	34	8
21372057	68	50	21388004	20	62	21441407	34	1
21372156	68	51	21388400	10	16	21442603	60	17
21372255	68	69	21388509	40	6	21442702	60	18
21372354	68	70	21388608	30	27	21442900	60	20
21372453	68	71	21388608	52	27	21443007	60	21
21372552	68	72	21389200	26	1	21443106	60	22
21372651	14	51·52	21389309	26	12	21443205	60	23
21372651	68	73	21389408	26	13	21443809	60	24
21372750	68	74	21389507	26	5	22537658	38	2
21372859	68	75	21389556	26	4	22538151	38	4
21372958	68	76	21389606	26	11	22538706	38	32
21373055	68	77	21389655	26	10	22602601	4	62
21373154	68	78	21389705	28	45	22604300	6	25
21373253	68	79	21389804	28	47	22606206	8	76
21373352	68	80	21389911	28	51	22609309	18	15
21373451	68	81	21390000	22	1·3	22609408	18	12
21373550	68	82	21390109	22	2·4	22609804	22	41·42
21373659	68	83	21390208	28	65	22611701	24	54
21373758	68	84	21390307	64	12	22611909	24	52
21373857	68	85	21390554	32	4	22617609	32	25
21373956	68	86	21390562	32	1	22618904	32	27
21374053	68	87	21402300	6	27	22619100	4	57
21374152	68	88	21405204	10	2	22620504	46	61
21374251	68	89	21406103	14	48	22650055	2	43
21374350	68	90	21406509	12	28	22651202	2	30
21374459	68	91	21406608	14	49	22656003	30	17
21374558	70	92	21408505	2	25	22656003	52	17
21374657	66	37	21408554	2	24	22656102	30	15
21374756	66	38	21413158	64	1	22656102	52	15
21374855	66	39	21413257	64	15	22814909	10	6
21378104	22	41·42	21427000	8	63	22814909	16	100
21378302	12	5	21427059	8	62	22863203	36	24

NUMERICAL INDEX OF PARTS

PART NO	PAGE	REF NO.	PART NO	PAGE	REF NO.	PART NO	PAGE	REF NO.
22863252	36	23	40019926	18	36	40102065	42	1
22877609	4	52	40023289	30	20	40102066	42	21
22901805	4	50	40023289	52	20	40102736	64	21
22904106	12	7	40024852	16	94	40103003	56	18
22904106	18	18	40024855	8	70	40104367	6	44·45
22904155	12	6	40025035	60	30	40104368	26	31
22904155	18	17	40025036	60	29	40104369	26	29
22907604	12	43	40025299	58	5	40105335	52	32
22911804	20	44	40025300	58	8	40105811	52	39
22912000	20	46	40027746	10	26	40105811	56	28
22912109	20	47	40033026	12	12	40107488	52	31
22917009	26	19	40033027	12	11	40107618	42	17
22932404	36	28	40033029	12	19	40107618	54	47
22932453	36	27	40033030	12	24	40107618	56	33
22933006	64	2	40033031	12	41	40107949	14	84
22933303	64	9	40033032	12	40	40107950	4	54
22934202	36	35	40038692	6	23	40108542	14	61
22934301	36	36	40038700	8	51	40108674	2	20
22934400	36	34	40038702	8	52	40108675	2	22
22934509	36	33	40038722	42	14	40113092	38	28
22934707	36	29	40038722	52	44	40113224	6	36
22945505	38	27	40038722	56	30	40119279	26	28
22945703	38	30	40038723	42	16	40121822	32	15
22951552	4	47	40038723	52	46	40143083	6	26
22952501	30	21	40038723	56	32	A407855000A	46	63
22952501	52	21	40038904	56	19	B1104051000	2	44
23006406	32	34~36	40039326	12	4	B1111563000	2	34
23208507	4	68	40042611	24	45·63	B1132521000	2	27
23208556	4	67	40051503	44	23	B1148555000	38	11
23208606	4	69	40056364	30	24	B1210051000	6	10
23630007	44	52	40056364	52	24	B1214019000	6	32
23630007	46	52	40056365	30	23	B1214038000	44	44
23636202	38	5	40056365	52	23	B1308055000	6	35
26225201	12	29	40056366	30	22	B1310055000	6	37
26226209	30	19	40056366	52	22	B1312563000A	6	44·45
26226209	52	19	40062388	34	5	B1313055000	8	48
26910059	48	2	40064409	44	38	B1314055000	6	39
26910158	48	1	40075553	14	81	B1401518000	10	7
40009103	20	50	40101351	26	18	B1410771000	10	24
40016148	8	75	40101368	64	16	B1411521000	10	8
40016798	2	1	40101742	64	6	B1412051000	10	10
40018339	12	16	40102061	60	19	B1412051000	44	19
40018340	12	38	40102062	60	16	B1414232000	10	23
40018341	12	23	40102063	42	3	B1414555000	12	17
40019114	2	3	40102064	42	22	B1437051000	10	4

NUMERICAL INDEX OF PARTS

PART NO	PAGE	REF NO.	PART NO	PAGE	REF NO.	PART NO	PAGE	REF NO.
B1462053000	14	47	B3416552000	14	77	D2430555B00	26	30
B14670530A0	12	25	B3428521000	36	25	D3162555B00	38	25
B1467563000	10	14	B3520586000	44	24	D3168555H0B	32	12
B1468053000	12	26	B3524552000	44	45	D8232241E00	58	21
B1501241H00	12	39	B3534155000	44	43	EA9500B0000	12	14
B1502246000	12	44	B3538112000	44	40	EA9500B0000	44	9
B1510155000	16	98	B8112220000	58	7	EA9500B0100	4	74
B1515512000	28	50	B8206012000	64	10	EA9500B0100	10	31
B152652700G	14	63	B8207012000	64	20	EA9500B0100	14	54
B152989000CA	38	7	B8209012000	64	11	EA9500B0100	28	62
B1604012000A	18	7	B8228125000	58	35	EA9500B0100	30	26
B1610512000	18	39	B9102057000	64	18	EA9500B0100	44	64
B1639051000	8	47	B9113012000	64	3	EA9500B0100	46	64
B18025120A0A	22	37	B9117563000	22	34·35	EA9500B0100	52	26
B18035150A0	22	39	B9117563000	64	14·19	EA9500B0100	56	17
B1816051000	24	48	BT0600401EB	42	30	EA9500B0100	64	17
B1817051000	24	45·63	BT0600401EB	52	49	GAK29009000	42	18
B1820563000	22	5·6	BT0600401EB	54	49	GAK29009000	54	48
B1821051000	22	7	BT0600401EB	56	35	GAK29009000	56	34
B1822563000	22	10·11	BT0600402EA	44	20	GAK29010000	42	24
B1823051000	22	12·13	CM300200001	4	49	GAK29010000	52	33
B1824563000	22	16·17	CM300200001	40	13	GAK29010000	56	20
B18305630A0	22	32·33	CM300200001	56	13	GAKA1503000	42	25
B1834512000A	22	30	CM301300001	2	39	GAKA1503000	52	36
B1905520000	6	3	CM600100201	64	13	GAKA1503000	56	23
B1906051000	6	4	CQ202000000	6	18	GAKA2302B00	42	4
B1907057000	6	5	CQ202000000	10	32	GAKA2302C00	42	23
B3120125000	32	18	CQ202000000	18	51	GTS01037000	30	25
B3125012000	32	32	CQ202000000	20	51	GTS01037000	52	25
B3125527000	32	31	CQ202000000	22	15	HK034610020	56	21
B3127051000	32	8	CQ202000000	44	60	HK034610120	28	66
B3127527000	32	7	CQ202000000	46	60	HK034610140	52	29
B3128051000	32	2	CQ252000000	12	21	HK034610180	42	27
B3128527000	32	24	CQ252000000	44	31	HK034620020	52	34
B3129053000	32	17	CQ3000000F0	12	15	HK03463000A	52	35
B3132051000	32	16	CQ303000000	6	8	HK03464000A	28	60
B31375270A0	32	21	CQ505000000	6	11	HK03464000A	30	28
B3138512000	2	32	CS0700811SH	26	34	HK03464000A	42	26
B3138527000	32	28	CS070081BSH	26	33	HK03464000A	52	28
B3139527000	32	23	CS1201010SH	20	58	HK03464000A	56	22
B3141527000	32	30	CS1201011SH	20	59	HK03464000B	34	6
B3142527000	32	22	D1455055B00	12	33	HX00123000A	4	65
B3143527000	32	20	D1456055B00	12	32	HX00123000A	8	72
B3205210000	38	10	D2112555B00	2	10	HX00123000A	34	13
B3214047000	32	11	D2427555B00B	26	32	HX002950000	30	31

NUMERICAL INDEX OF PARTS

PART NO	PAGE	REF NO.	PART NO	PAGE	REF NO.	PART NO	PAGE	REF NO.
HX002950000	42	31	PA320200100	60	2	SD0900701TP	18	21
HX002950000	52	38	PA400150100	40	1	SD1000801SH	20	55
HX002950000	56	15	PA400150100	56	1	SK3241601SC	58	13
HX00295000A	40	15	PF0552170A0	42	15	SK3385001SE	42	13
HX00295000A	42	32	PF0552170A0	52	45	SK3385001SE	52	40
HX00295000A	56	26	PF0552170A0	56	31	SK3385001SE	56	29
HX00295000B	40	16	PJ301065104	30	11	SK3482500SC	58	16
HX00295000B	42	28	PJ301065104	52	11	SK3482501SE	42	33
HX00295000B	56	27	PJ304065101	40	10	SK3482501SE	54	51
HX00295000C	42	29	PJ304065101	56	10	SK3482501SE	56	37
HX00295000C	60	15	PJ304065101	60	13	SK3514000SC	60	39
HX00354000N	60	25	PS0500202KP	46	58	SL4030631SC	60	27
J1067000000	64	5	PS0600502KP	32	37	SL4040881SC	16	95
M13517B1600	10	13	PX015101000	30	12	SM1050801SR	14	72
M13517B1602	64	7	PX015101000	52	12	SM3031401SE	58	9
M40071100AA	8	65	PX015101000	60	14	SM4061001SB	42	20
M40071100AB	8	66	RC0560711KP	38	12	SM4061001SB	54	50
MAH152010A0	62	1	RE0500000K0	6	46	SM4061001SB	56	36
MAT80230T00	60	32	RE0500000K0	14	78	SM6021000TP	58	29
MAT80231T00	60	31	RE0500000K0	38	13	SM6030802TP	26	2
MDFRX2700C0	64	4	RE0500711KP	18	8	SM6040800SP	38	31
MTJVH00430A	64	23	RE0800000K0	14	89	SM6040802TP	28	57
MTSP00900B0	64	22	RE0800000K0	36	10	SM6041202TP	26	16
NM6030001SC	58	10	RE0900000K0	20	61	SM6044002TP	60	3
NM6030001SC	60	26	RO092270200	20	45	SM6051002TP	40	8
NM6040001SN	34	10	RO092270200	38	14	SM6051002TP	56	8
NM6050001SD	36	16	SB120000200	8	54	SM6051402TP	14	67
NM6060003SC	30	6	SD0380551SL	2	28	SM6051602TP	36	8
NM6060003SC	52	6	SD0470281SP	32	6	SM6052002TP	16	91
NM6080001SE	40	4	SD0600403TP	60	7	SM6052002TP	36	14
NM6080001SE	56	4	SD0600454TP	60	8	SM6061202TP	36	2
NM6080721SE	60	5	SD0640322TP	6	42	SM6061602TP	30	3
NM7040062SB	34	11	SD0640325SP	26	39	SM6061602TP	52	3
NM9050001SC	58	30	SD0640451TP	28	49	SM6061802TP	20	40
NS6080210SP	20	65	SD0640482SP	28	53	SM6062502TP	12	37
NS6110310SP	32	9	SD0640751SP	26	44	SM6062502TP	36	22
NS6110310SP	38	26	SD0700451TP	36	20	SM6082002TP	40	2
NS6110420SP	22	31	SD0720331SP	40	5	SM6082002TP	56	2
NS6110530SP	12	35	SD0720331SP	56	5	SM6082502TP	22	29
NS6110530SP	50	2	SD0800352SP	30	10	SM8050502TP	18	6
NS6150430SP	30	14	SD0800352SP	52	10	SM8050602TP	14	86
NS6150430SP	52	14	SD0800402TP	18	34	SM8050602TP	38	20
NS6680320SP	18	22	SD0800402TP	30	13	SM8050612TP	20	52
PA320150200	30	2	SD0800402TP	52	13	SM8052502TP	36	15
PA320150200	52	2	SD0800481SP	12	45	SM8060602TP	6	28

NUMERICAL INDEX OF PARTS

PART NO	PAGE	REF NO.	PART NO	PAGE	REF NO.	PART NO	PAGE	REF NO.
SM8080802TP	10	21	SS6121860SP	20	43	SS7111810SP	52	43
SM8080812TP	6	14	SS6151040SP	28	56	SS7111810TP	22	14
SM9061203SE	36	31	SS6151040SP	40	14	SS7120760SP	8	55
SQ1110401MZ	24	51	SS6151040SP	56	14	SS7120760SP	30	16
SQ1110401MZ	44	39	SS6151210SP	4	72	SS7120760SP	46	55
SQ1150451MZ	44	27	SS6151220SP	60	33	SS7120760SP	52	16
SS2090710TP	2	31	SS6151440SP	58	2	SS7150740SP	16	96
SS2110920TP	2	37	SS6151780SP	12	27	SS7150910TP	2	19
SS3090610SP	44	17	SS6151812TP	26	36	SS7151210SP	30	8
SS4110515SP	2	35	SS6151920SP	12	30	SS7151210SP	52	8
SS4110615SP	44	41	SS6152440SP	10	29	SS7151610SP	62	4
SS4110815SP	2	73	SS6153040SP	22	27	SS7621040SP	2	7
SS4110815SP	4	73	SS6153040SP	58	22	SS8110422TP	24	55
SS4110815SP	6	29	SS6580752TP	20	57	SS8110422TP	26	20
SS4110815SP	44	46	SS6661110SP	6	24	SS8110510SP	26	35
SS4110815SP	60	12	SS7060610SP	26	15	SS8111010TP	6	43
SS4111215SP	2	2	SS7090510SP	36	26	SS8111010TP	16	99
SS4120615SP	30	18	SS7090520SP	32	29	SS8150510TP	22	43·44
SS4120615SP	52	18	SS7090520TP	2	33	SS8150710SP	12	93
SS4150915SP	4	76	SS7090610SP	18	30	SS8150710SP	16	93
SS4150915SP	44	37	SS7090910SP	10	9	SS8150710TP	8	73
SS5090610SP	2	21	SS7090910TP	18	32	SS8150822TP	6	64
SS5110740TP	58	4	SS7091410SP	38	15	SS8150822TP	8	64
SS6081810SP	20	66	SS7110510SP	12	20	SS8150822TP	18	28
SS6090410TP	10	12	SS7110510SP	44	12	SS8151150SP	24	50
SS6090520SP	38	16	SS7110570SP	34	4	SS8151150TP	10	5
SS6090620SP	38	22	SS7110710SL	60	35	SS8151150TP	18	14
SS6090630SP	2	38	SS7110710SP	8	57	SS8151150TP	22	40
SS6090810SP	22	19	SS7110830SP	10	17	SS8151550SP	8	59
SS6090910TP	14	50	SS7110830SP	14	80	SS8660530TP	8	49·50
SS6091022TP	10	19	SS7110830SP	44	33	SS8660530TP	22	53
SS6110480SP	44	10	SS7110840SP	30	29	SS8660530TP	24	53
SS6110630TP	14	64	SS7110840SP	52	30	SS8660610TP	12	8
SS6110710TP	14	53	SS7110840SP	58	3	SS8660610TP	18	60
SS6110710TP	28	59	SS7110840SP	60	1	SS8660610TP	20	60
SS6110810TP	38	18	SS7110910TP	10	15	SS8660612TP	6	40
SS6111010TP	46	47	SS7110910TP	12	42	SS8660612TP	12	3
SS6111140SP	4	70	SS7110910TP	18	25	SS8660612TP	28	52
SS6111140SP	26	43	SS7110910TP	32	33	SS8660670SP	24	46
SS6111210SP	8	68	SS7110910TP	34	2	SS8660810TP	6	21
SS6111610SP	18	37	SS7111120SP	26	22	SS8660810TP	24	49
SS6111610SP	60	10	SS7111120TP	14	74	SS8661030SP	8	53
SS6120930TP	20	63	SS7111410SP	18	11	SS9151440CP	18	4
SS6121610TP	18	16	SS7111410SP	60	34	TA0550604R0	4	59
SS6121610TP	28	48	SS7111810SP	30	32	TA0620504R0	4	75

NUMERICAL INDEX OF PARTS

PART NO	PAGE	REF NO.
TA0750704R0	4	48
TA0750704R0	8	74
TA0750704R0	12	10
TA0800704R0	58	31
TA1050504R0	2	45
TA1250504R0	2	15-77
TA1250504R0	4	15-77
TA1450404R0	2	9
WP0320501SC	26	3
WP0320501SC	58	12
WP0371016SD	22	18
WP0430800SC	26	17
WP0450801SD	8	67
WP0450801SD	46	62
WP0480856SP	60	36
WP0482086SD	12	34
WP0501016SD	30	30
WP0501016SD	52	42
WP0501046SC	12	18
WP0501046SC	34	12
WP0621016SD	18	5
WP0621016SD	62	2
WP0641601SD	30	4
WP0641601SD	52	4
WP0651056SD	28	64
WP0850002SP	22	28
WS0610002KN	62	3
WS0610002KP	28	61
WT0530002KS	4	61