

MODEL : MO-6904R SUBCLASSES

List No : 1349-01

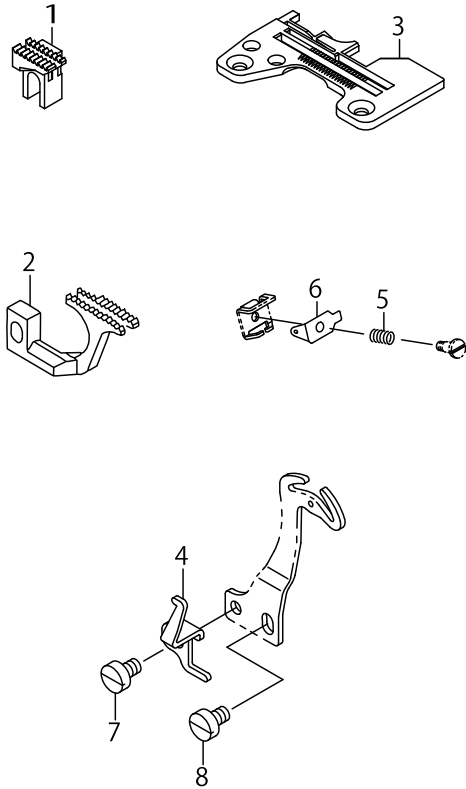
PARTS LIST

Published:05/12/2017

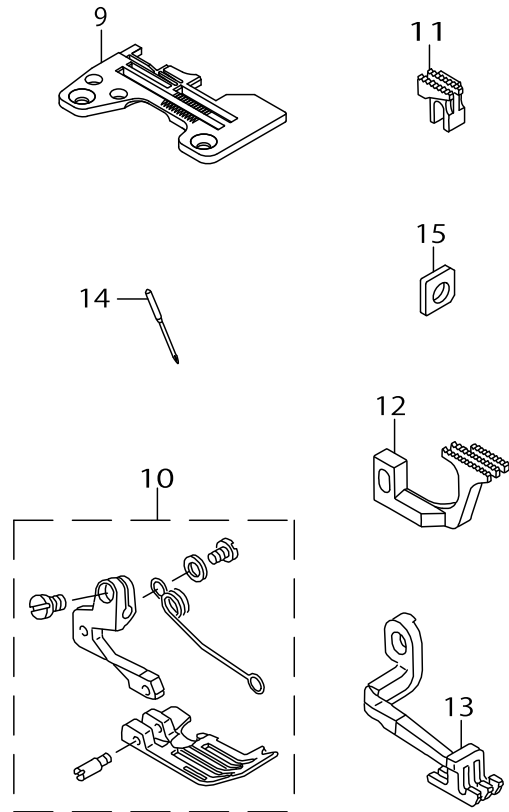
CONTENTS

MO-6904R-0D4-3F6, MO-6904R-0F6-500, MO-6904R-0H4-50M	1
HOW TO MAKE USE OF THIS PARTS LIST	3

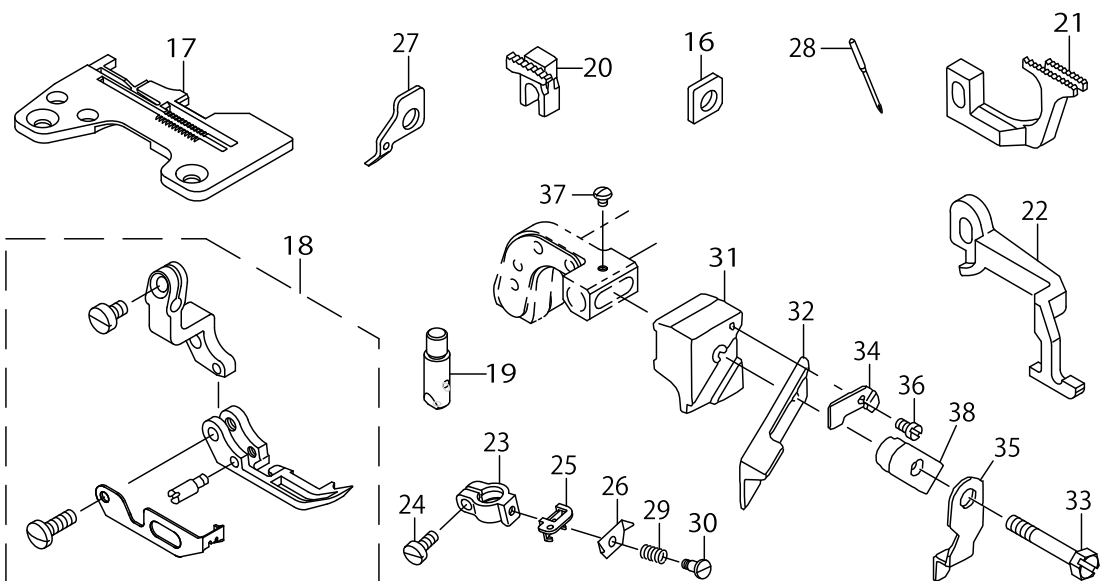
1.MO-6904R-0D4-3F6



2.MO-6904R-0F6-500



3.MO-6904R-0H4-50M



MO-6904R-0D4-3F6, MO-6904R-0F6-500, MO-6904R-0H4-50M

No.	Supply Code	Parts No.	Replacement	Parts name	Remarks	Choice	Step	Level	Cons	Qty	Rep. QTY
1		11597101		MAIN FEED DOG						1	
2		11886207		DIFFERENTIAL FEED DOG						1	
3		R4200J6DD0C		THROAT PLATE						1	
4		12304705		DIFFERENTIAL FEED CAM						1	
5		12112702		NEEDLE THREAD P-RESSER SPRING B						1	
6		12112504		NEEDLE THREAD P-RESSER PLATE C						1	
7		SS6090620TP		SCREW						1	
8		SS6090670TP		SCREW 9/64-40 L=6						1	
9		R4300J6FE0B		THROAT PLATE						1	
10		11932258		PRESSER FOOT ASM.						1	
11		11883303		MAIN FEED DOG						1	
12		11885605		DIFFERENTIAL FEED DOG						1	
13		11936804		TOP FEED DOG						1	
14		MDC270B1400		NEEDLE DCX27 #14						1	
15		13132006		GAUGE						1	
16		13132006		GAUGE						1	
17		R4200J6HG00		THROAT PLATE						1	
18		11946860		PRESSER FOOT AS-M. (WITH GUARD)						1	
19		12303905		1-NEEDLE, NEEDLE CLAMP						1	
20		11947009		MAIN FEED DOG						1	
21		11947108		DIFFERENTIAL FEED DOG						1	
22		11947207		TOP FEED DOG						1	
23		12304309		NEEDLE CLAMP HOLDER						1	
24		SS6080720SP		SCREW						1	
25		31203201		NEEDLE THREAD PRESSER GUIDE						1	
26		31203300		NEEDLE THREAD PRESSER PLATE						1	
27		12304606		TAKE-UP LEVER GUIDE						1	
28		MDC270B1600		NEEDLE DCX27 #16						1	
29		40014730		NEEDLE THREAD P-RESSER SPRING						1	
30		40014729		NEEDLE THREAD P-RESSER SCREW						1	
31		11598000		UPPER KNIFE SUPPORT						1	
32		11845807		UPPER KNIFE						1	
33		SS9111610SP		SCREW 11/64-40L=16						1	
34		11565702		WASHER						1	
35		11848405		UPPER KNIFE COVER						1	
36		SS4060310SP		SCREW 3/32-56 L=2.5						1	
37		SS4060310SP		SCREW 3/32-56 L=2.5						1	
38		11565504		UPPER KNIFE PRESSER PLATE						1	

HOW TO MAKE USE OF THIS PARTS LIST

1.As to "#01" and "#02" refer to the "Note" given at the bottom of the respective pages.

2.Codes on the "Qty" column

- Each numeral indicates the number of parts required.
- "0.1" and "2.5" indicate the length (in meters) of the respective parts.

3.Parentheses mean that the corresponding part is a subpart that constructs an assembly part.

4.Dotted lines on the Figures indicate assembly parts.

1. リストページの# 0 1、# 0 2の印は、ページ下の"注記"の説明を参照下さい。
2. 数量欄の数字は、個数を表し、0. 1、2. 5等の数値は、長さ（単位メートル）を表します。
3. 数量欄の（ ）は、組部品を構成している子部品であることを意味します。
4. イラストページの-----枠は、組構成であることを意味します。

NUMERICAL INDEX OF PARTS

PART NO	PAGE	REF NO.
11565504	2	38
11565702	2	34
11597101	2	1
11598000	2	31
11845807	2	32
11848405	2	35
11883303	2	11
11885605	2	12
11886207	2	2
11932258	2	10
11936804	2	13
11946860	2	18
11947009	2	20
11947108	2	21
11947207	2	22
12112504	2	6
12112702	2	5
12303905	2	19
12304309	2	23
12304606	2	27
12304705	2	4
13132006	2	16
31203201	2	25
31203300	2	26
40014729	2	30
40014730	2	29
MDC270B1400	2	14
MDC270B1600	2	28
R4200J6DD0C	2	3
R4200J6HG00	2	17
R4300J6FE0B	2	9
SS4060310SP	2	37
SS6080720SP	2	24
SS6090620TP	2	7
SS6090670TP	2	8
SS9111610SP	2	33