

MODEL : MO-6904R-0E4/MO-6914R-BE6/MO-6916R-DE4

List No : 1348-06

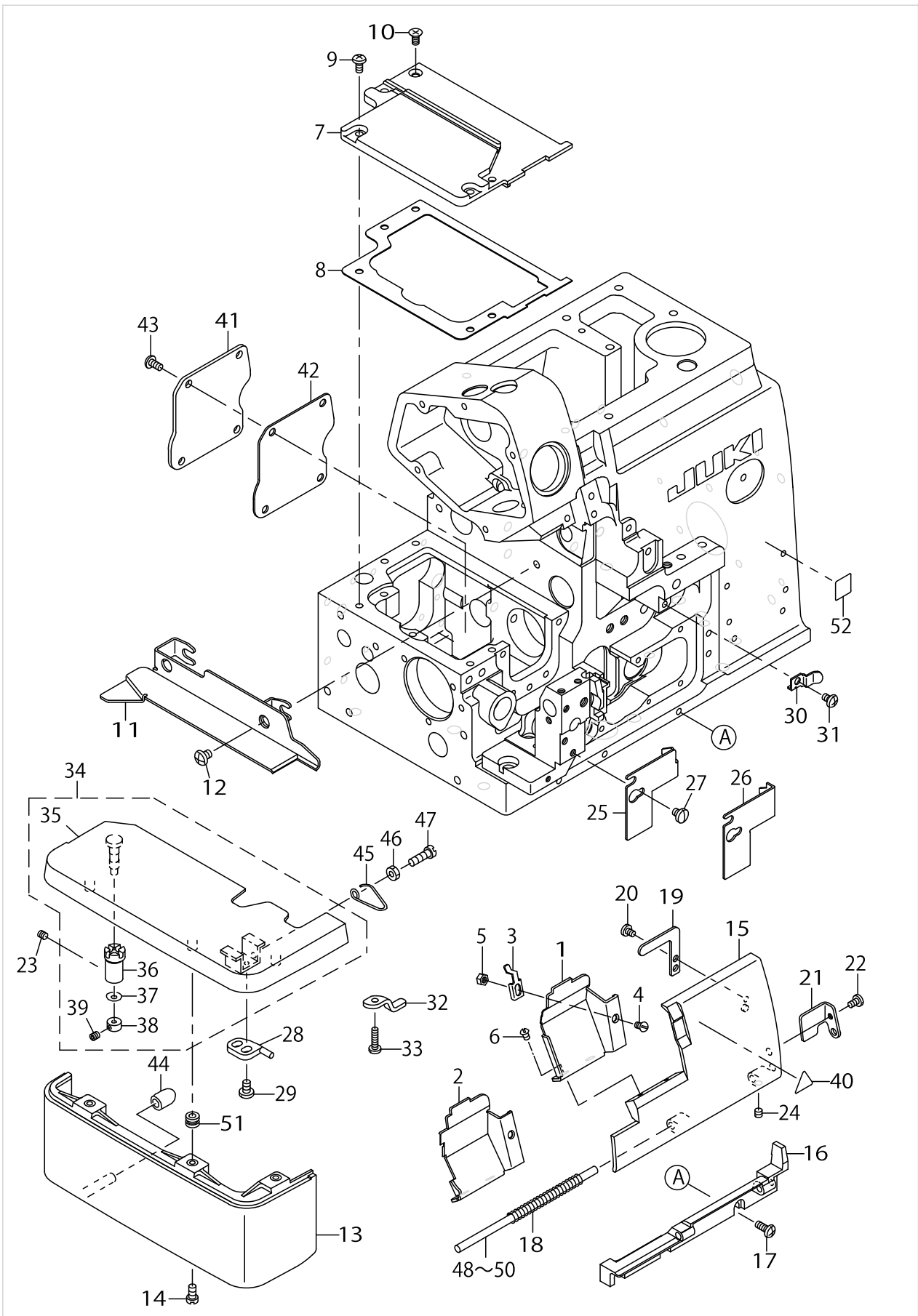
PARTS LIST

Published:05/12/2017

CONTENTS

MISCELLANEOUS COVER COMPONENTS (1).....	1
MISCELLANEOUS COVER COMPONENTS (2).....	5
CRANKSHAFT COMPONENTS	9
NEEDLE DRIVING SHAFT COMPONENTS.....	13
FEED MECHANISM COMPONENTS (1).....	17
FEED MECHANISM COMPONENTS (2).....	19
UPPER FEED MECHANISM COMPONENTS (1).....	23
UPPER FEED MECHANISM COMPONENTS (2).....	27
UPPER & LOWER LOOPER COMPONENTS.....	31
CHAIN LOOPER COMPONENTS (FOR MO-6916R).....	35
PRESSER FOOT COMPONENTS (1).....	37
PRESSER FOOT COMPONENTS (2).....	41
THREAD TENSION COMPONENTS.....	43
LOWER KNIFE COMPONENTS.....	47
UPPER KNIFE COMPONENTS.....	51
NEEDLE COOLING MECHANISM COMPONENTS.....	53
LUBRICATION MECHANISM COMPONENTS.....	55
SEMI-SUNKEN TYPE TABLE COMPONENTS.....	59
FULLY-SUNKEN TYPE TABLE COMPONENTS.....	61
STAND COMPONENTS (Z·T).....	63
THREAD STAND COMPONENTS (FOR MO-6904R,MO-6914R).....	65
THREAD STAND COMPONENTS (MO-6904R,MO-6914R SPECIAL ORDER PARTS).....	67
THREAD STAND COMPONENTS (FOR MO-6916R).....	69
THREAD STAND COMPONENTS (MO-6916R SPECIAL ORDER PARTS).....	71
SPECIAL ORDER PARTS COMPONENTS.....	73
ACCESSORIES PARTS COMPONENTS.....	77
LIST FOR INFORMATION OF CHANGE.....	79
HOW TO MAKE USE OF THIS PARTS LIST.....	80

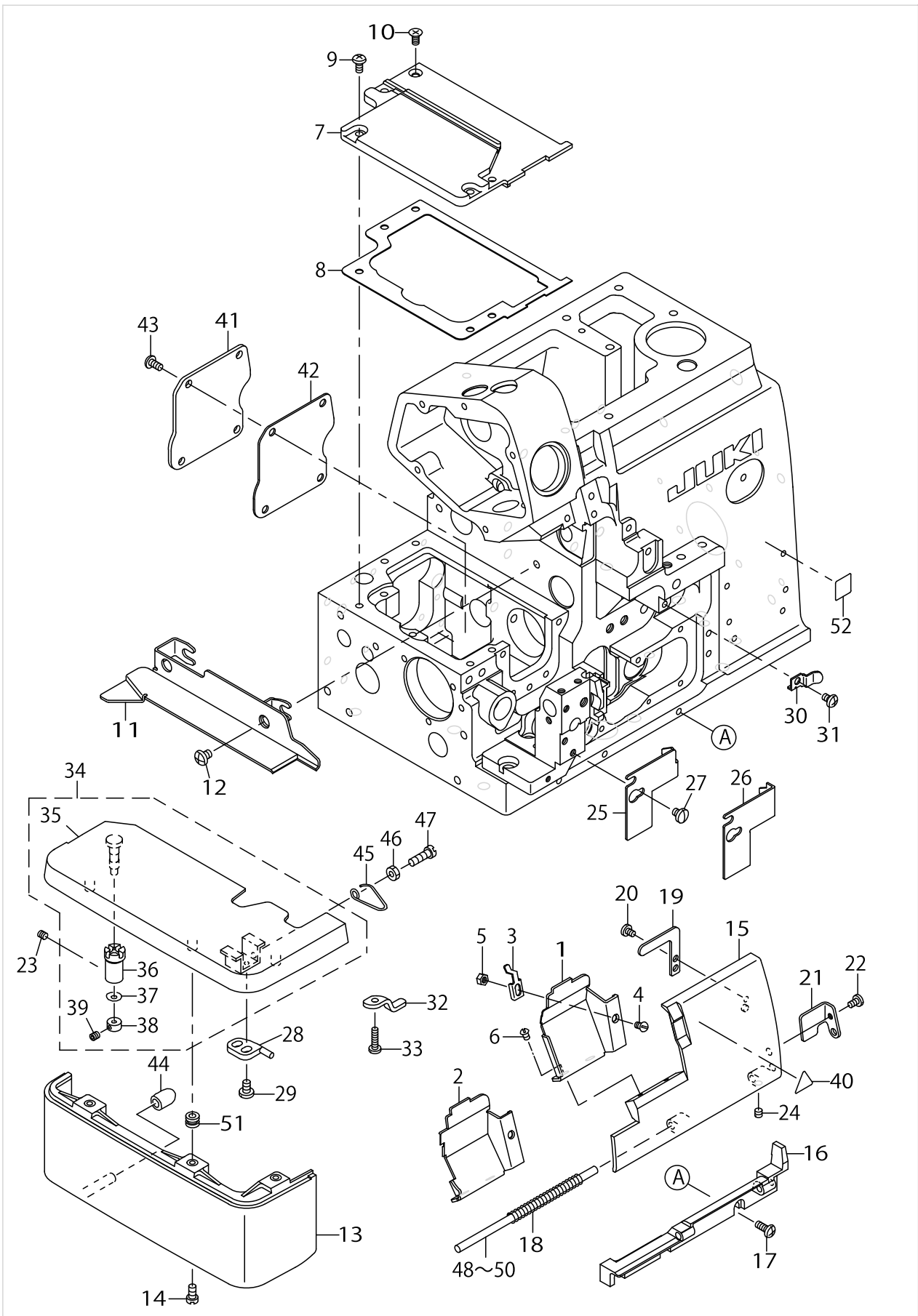
MISCELLANEOUS COVER COMPONENTS (1)



MISCELLANEOUS COVER COMPONENTS (1)

No.	Supply Code	Parts No.	Replacement	Parts name	Remarks	Choice	Step	Level	Cons	Qty	Rep. QTY
1		13104104		CLOTH WASTE COVER	FOR MO-6-904R,MO-6914R					1	
2		13104203		CLOTH WASTE COVER	FOR MO-6916R					1	
3		13102405		CROTH WASTE COVER STOPPER						1	
4		SS2090520SL		SCREW 9/64-40 L=5						1	
5		NS6090310SN		NUT 9/64-40						1	
6		SS3090610SP		SCREW 9/64-40 L=6						2	
7		13200704		FEED MECHANISM COVER						1	
8		13200803		FEED MECHANISM COVER GASKET						1	
9		SM4040855SP		SCREW						4	
10		SM1040801SC		SCREW M4X0.7 L=8						1	
11		12300356		CLOTH PLATE SIDE COVER ASM.						1	
12		SS4120615SP		SCREW 3/16-28 L=6						2	
13		13103809		CLOTH BASE COVER						1	
14		SS4091015SP		SCREW 9/64-40 L=10						2	
15		13100904		LOOPER COVER						1	
16		13100805		LOOPER COVER BRACKET						1	
17		SM4041055SP		SCREW M4 L=10						3	
18		13101209		LOOPER COVER SPRING						1	
19		13101407		LOOPER COVER PRESSER PLATE						1	
20		SS7090530SP		SCREW 9/64-40 L=4.5						1	
21		13101001		LOOPER COVER GUIDE PLATE						1	
22		SS7090610SP		SCREW 9/64-40 L=6						1	
23		SS8110410TP		SCREW 11/64-40 L=3.5						1	
24		SS8110410TP		SCREW 11/64-40 L=3.5						1	
25		13101506		CLOTH WASTE COVER LEFT	FOR MO-6-904R,MO-6914R					1	
26		13101605		CLOTH WASTE COVER LEFT	FOR MO-6916R					1	
27		SS7110510SP		SCREW 11/64-40 L=5						2	
28		13101704		CLOTH BASE SWITCH-TYPE STOPPER						1	
29		SS7110710SP		SCREW 11/64-40 L=7						2	
30		13101308		LOOPER COVER PRESSER SPRING						1	
31		SM4040655SP		SCREW M4 L=6						1	
32		13101803		CROTH BASE SUPPORT PLATE						1	
33		SS7091410SP		SCREW 9/64-40 L=13.5						1	
34		13103650		CLOTH BASE CMPL.						1	
35	R	13102058	13103650	CLOTH BASE ASM.				*		1	1.00
36		13101902		CLOTH BASE ECCE-NTRIC BUSHING				*		1	
37		WZ0420350KP		DISC SPRING				*		1	
38		13172903		CLOTH BASE HINGE SHAFT COLLAR				*		1	
39		SM8040302TP		SETSCREW				*		1	
40		CM300200001		ATTENTION SEAL						1	
41		40102307		ADJUSTING_HOLE_COVER						1	
42		13201603		ADJUSTING HOLE COVER GASKET						1	
43		SM4040855SP		SCREW						4	
44		13104302		CLOTH BASE COVER RUBBER PLUG						1	

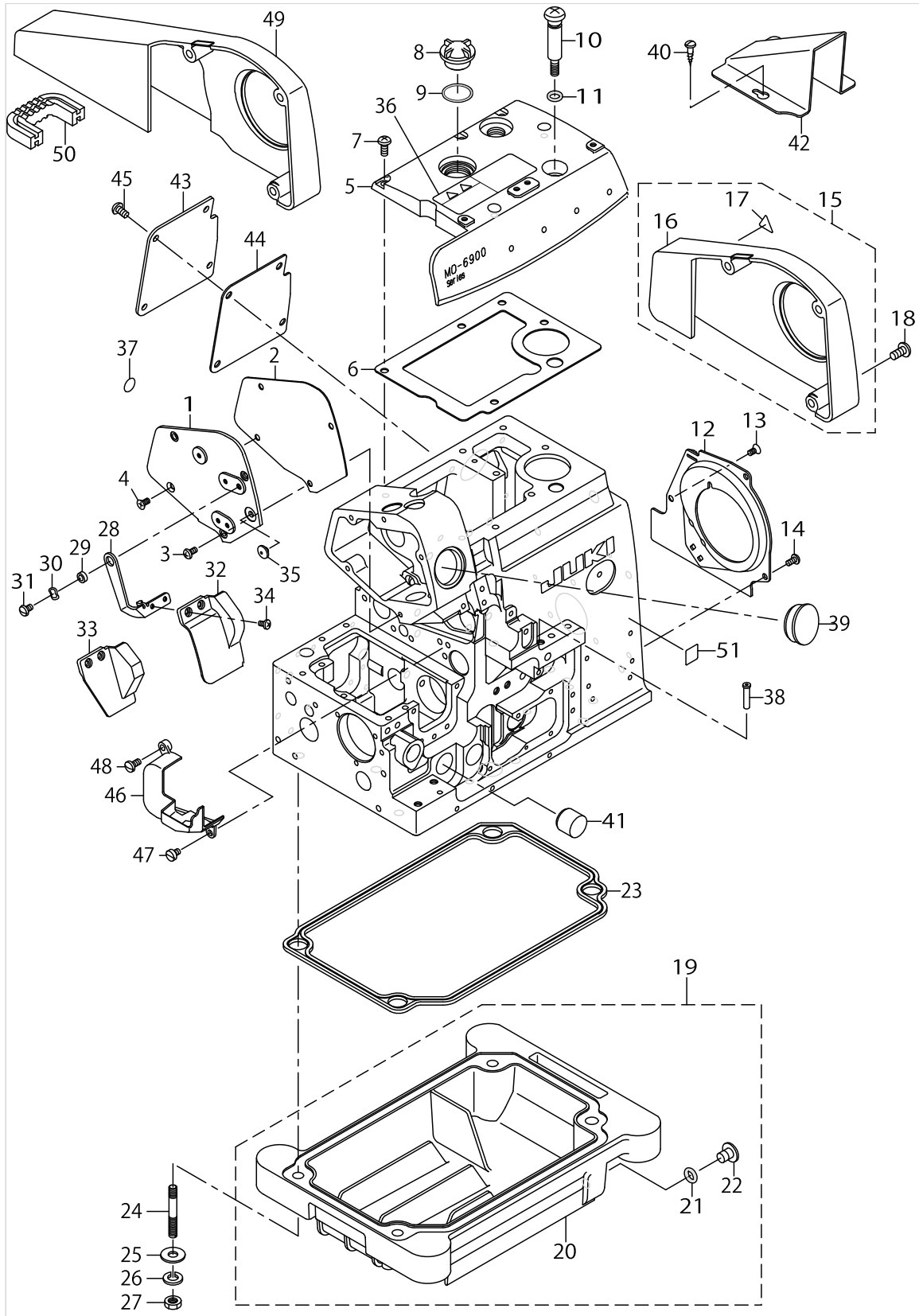
MISCELLANEOUS COVER COMPONENTS (1)



MISCELLANEOUS COVER COMPONENTS (1)

No.	Supply Code	Parts No.	Replacement	Parts name	Remarks	Choice	Step	Level	Cons	Qty	Rep. QTY
45		13102207		CLOTH BASE SWITCH-TYPE SPRING						1	
46		NS6110420SP		NUT 11/64-40						1	
47		SS6111440SP		SCREW 11/64-40 L=14.0						1	
48		13240007		LOOPER COVER HINGE SHAFT A	SELECTIVE PARTS					1	
49		13240106		LOOPER COVER HINGE SHAFT B	SELECTIVE PARTS					1	
50		13240205		LOOPER COVER HINGE SHAFT C	SELECTIVE PARTS					1	
51		13103700		CLOTH BASE COVER BUSHING						3	
52		40150131		EAC_MARK_LABEL_S	FOR JE					1	

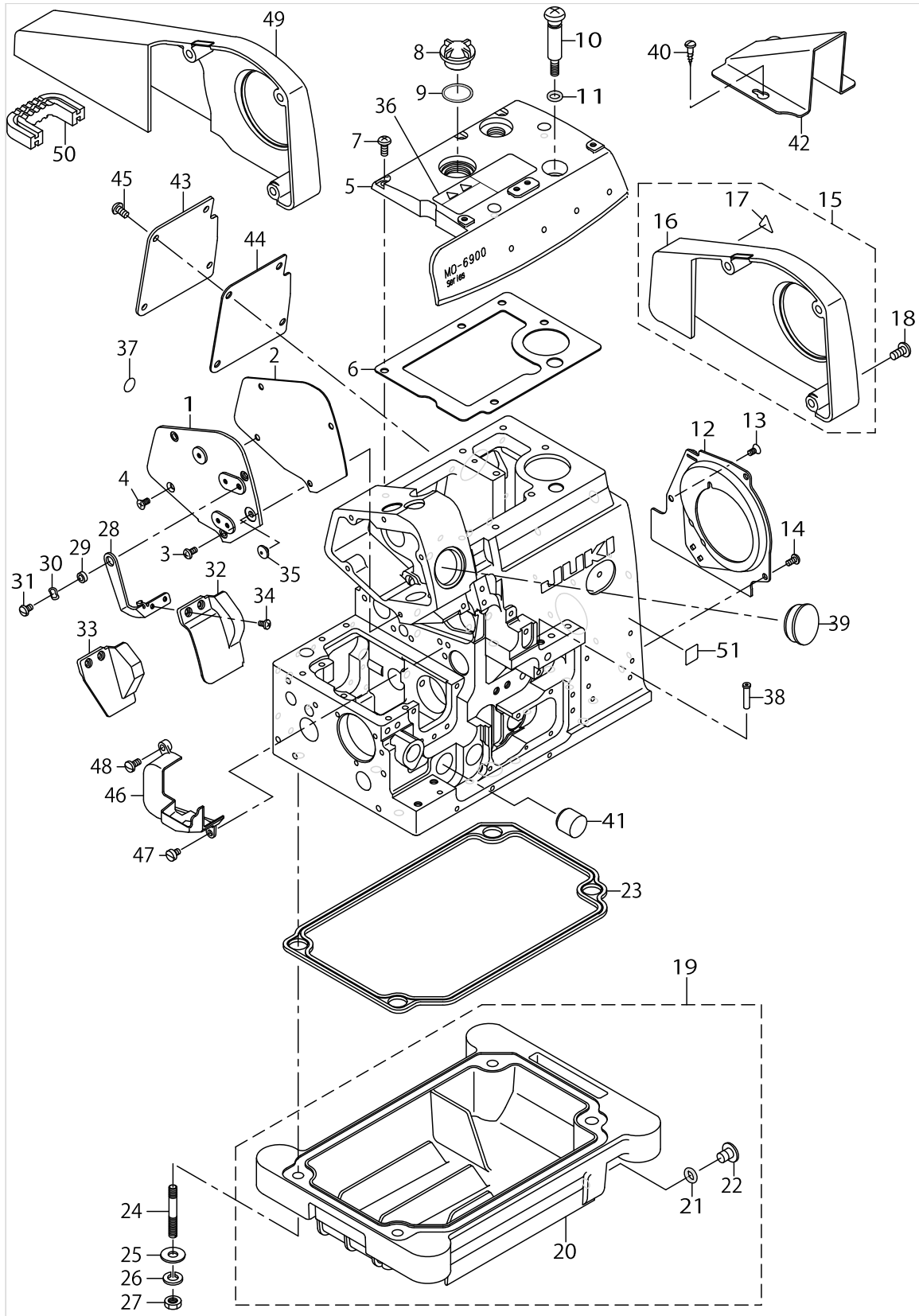
MISCELLANEOUS COVER COMPONENTS (2)



MISCELLANEOUS COVER COMPONENTS (2)

No.	Supply Code	Parts No.	Replacement	Parts name	Remarks	Choice	Step	Level	Cons	Qty	Rep. QTY
1		13200209		SIDE COVER						1	
2		13200308		SIDE COVER GASKET						1	
3		SM4040855SP		SCREW						3	
4		SM1040801SC		SCREW M4X0.7 L=8						1	
5		13200407		UPPER COVER						1	
6		13200605		UPPER COVER GASKET						1	
7		SM4051255SP		SCREW M5 L=12						5	
8		22924708		OIL SIGHT WINDOW						1	
9		13170006		RUBBER RING						1	
10		13104500		OIL DRAIN SCREW						1	
11		13170204		RUBBER RING						1	
12		13201009		COOLING FAN PLATE						1	
13		SM1040801SC		SCREW M4X0.7 L=8						1	
14		SM4040855SP		SCREW						2	
15		13201454		BELT COVER ASM.	VARIOUS NOS.FOR DESTINATIONS					1	
16	R	13201405	13201454	BELT COVER				*		1	1.00
17		CM300200001		ATTENTION SEAL				*		1	
18		SS4151215SP		SCREW 15/64-28L=12						3	
19		13102553		OIL RESERVOIR ASM.						1	
20	R	13102504	13102553	OIL RESERVOIR				*		1	1.00
21		13170105		RUBBER RING				*		1	
22	R	13171004	SM0081001SD	DRAIN SCREW				*		1	1.00
23		13102603		OIL RESERVOIR GASKET						1	
24		13103908		SCREW STUD						4	
25		WP0751576SD		WASHER 7.5X19X1.5						4	
26		WS0822010KP		SPRING WASHER 8.2X15X2						4	
27		NS6680410SP		NUT 9/32-28						4	
28		13201108		SAFETY PLATE BRACKET						1	
29		13104807		SAFETY PLATE BRACKET COLLAR						1	
30		WZ0850302K0		WAVED WASHER 8.5X12.5X0.3						1	
31		SS5110710SP		SCREW 11/64-40 L=7						1	
32		13201306		SAFETY PLATE	FOR MO-6916R					1	
33		13201207		SAFETY PLATE	FOR MO-6-904R,MO-6914R					1	
34		SS7090611SL		SCREW 9/64-40 L=6.1						2	
35		13204003		SAFETY PLATE BUSH						1	
36		CM301300001		SAFETY LABEL						1	
37		22901805		GROUND MARK						1	
38		13102900		THREAD GUIDE LARGE						2	
39		10753309		WINDOW PLATE RUBBER PLUG						1	
40		SK3412001SE		WOOD SCREW D=4.1 L=20						2	
41		TA1871602R0		RUBBER PLUG	FOR MO-6-904R,MO-6914R					1	
42		13160700		BELT COVER (B)						1	
43		13270400		REAR COVER						1	
44		13270509		REARCOVERGASKET						1	

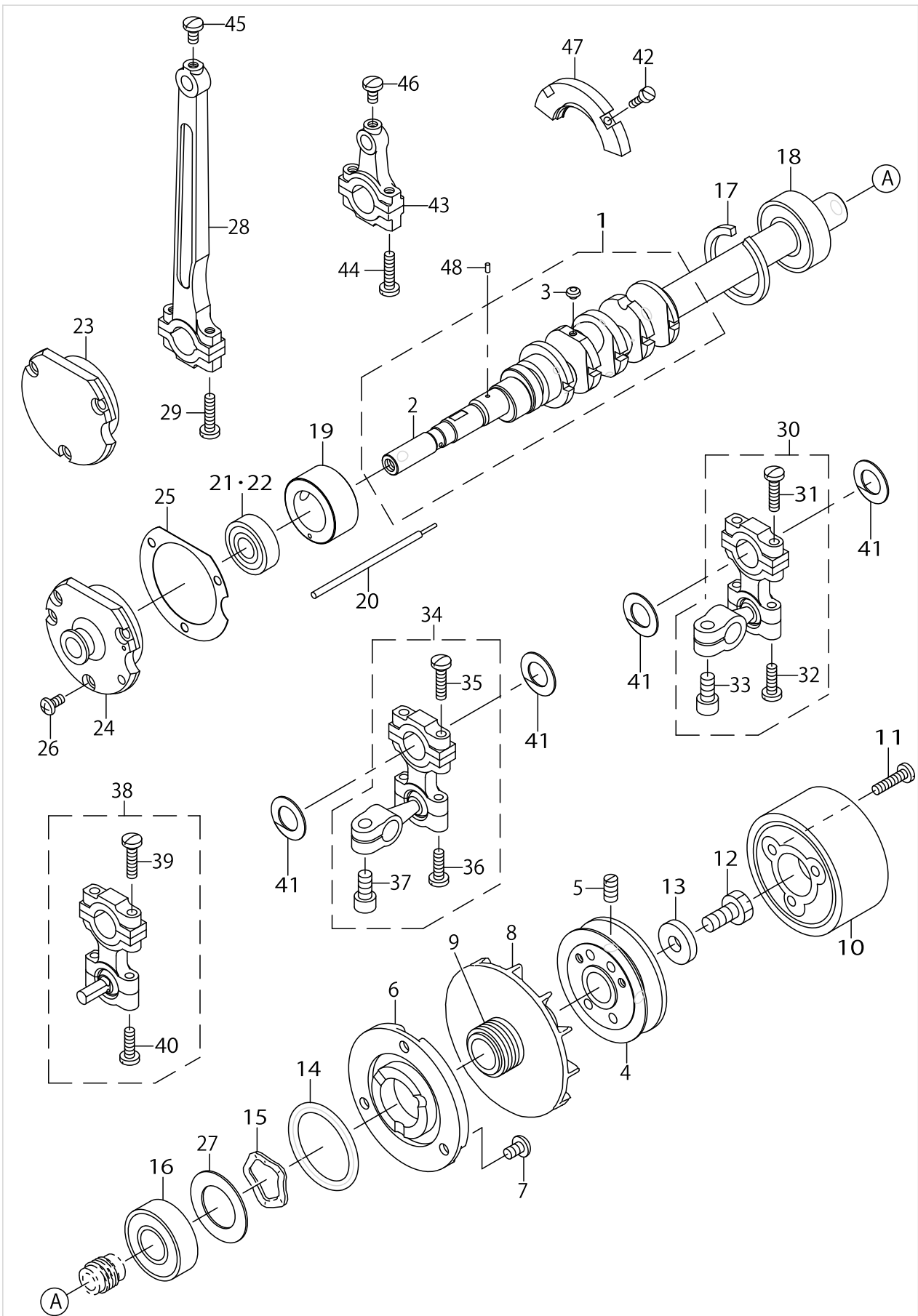
MISCELLANEOUS COVER COMPONENTS (2)



MISCELLANEOUS COVER COMPONENTS (2)

No.	Supply Code	Parts No.	Replacement	Parts name	Remarks	Choice	Step	Level	Cons	Qty	Rep. QTY
45		SM4051055SP		SCREW						4	
46		31200504		UPPER FEED COVER						1	
47		SS6110610TP		SCREW 11/64-40 L=6						1	
48		SS7110910TP		SCREW 11/64-40 L=8.5						1	
49		40037392		BELT COVER C	VARIOUS NOS.FOR DESTINATIONS					1	
50		40040065		VIBRATION PROOF RUBBER	VARIOUS NOS.FOR DESTINATIONS					1	
51		CM600100101		WEEE MARK LABEL S	FOR JE					1	

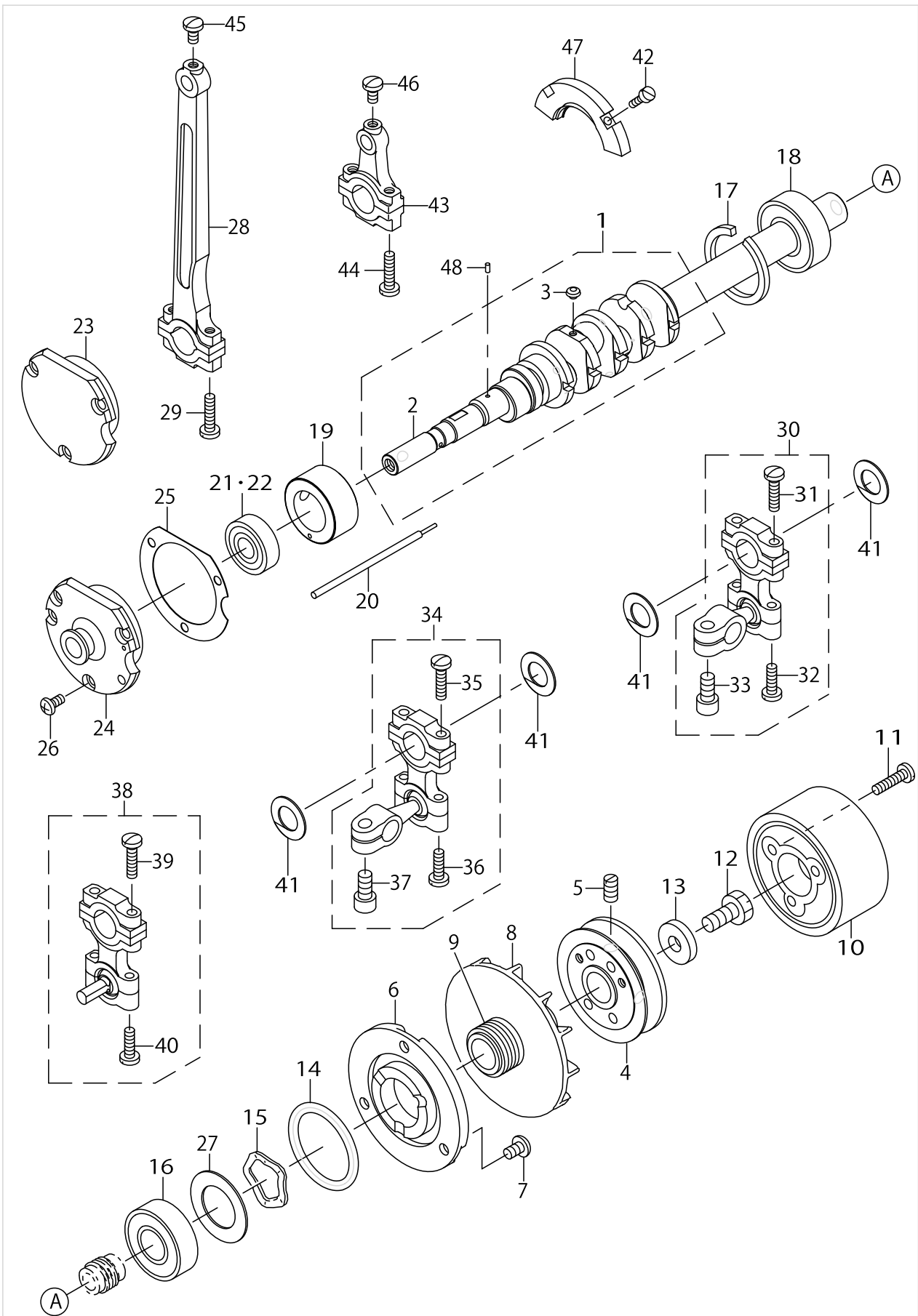
CRANKSHAFT COMPONENTS



CRANKSHAFT COMPONENTS

No.	Supply Code	Parts No.	Replacement	Parts name	Remarks	Choice	Step	Level	Cons	Qty	Rep. QTY
1		40023235		MAIN SHAFT ASM.						1	
2	R	40023234	40023235	MAIN SHAFT (300)				*		1	1.00
3		SS5080212TP		SCREW 1/8-44 L=2				*		5	
4		13107602		HANDWHEEL (A)						1	
5		SS8151150TP		SCREW 15/64-28 L=10.5						2	
6		13107800		THRUST COLLAR						1	
7		SM4050855SP		SCREW M5 L=8						3	
8		13108402		COOLING FAN						1	
9	R	12280103	13108501	OIL SHIELD						1	1.00
10		13107701		HANDWHEEL						1	
11		SS7111810TP		SCREW 11/64-40L=18						3	
12		SS9681610TP		SCREW 9/32-28 L=16						1	
13		WP0764016SP		WASHER						1	
14		13170303		RUBBER RING						1	
15		WZ2640310KH		WAVED WASHER 26.4X33.9X3.5						1	
16	R	B1211804000	13108600	BALL BEARING B						1	1.00
17		B1212704000		BEARING RETAINER						1	
18	R	B1211804000	13108600	BALL BEARING B						1	1.00
19		13205406		CRANKSHAFT BUSHING C						1	
20		13104906		OIL ADJUSTING BAR						1	
21	R	B1215804000	13108808	BALL BEARING D	FOR MO-6-904R,MO-6914R					1	1.00
22	R	SB110000300	13108907	BALL BEARING	FOR MO-6916R					1	1.00
23	R	12343406	13108006	CRANKSHAFT BUSHING D	FOR MO-6-904R,MO-6914R					1	1.00
24		13108105		CRANKSHAFT BUSHING D	FOR MO-6916R					1	
25		12108403		CRANKSHAFT BUSHING D GASKET						1	
26		SM4040855SP		SCREW						3	
27		13108303		BEARING HOLDING PLATE						1	
28	R	12109104	13207550	CONNECTING ROD						1	1.00
29		SS7111810TP		SCREW 11/64-40L=18						2	
30		12122362		UPPER LOOPER ROD ASM.						1	
31		SS7111810TP		SCREW 11/64-40L=18				*		2	
32		SS7111410TP		SCREW 11/64-40L=14				*		2	
33		SM6061202TP		SCREW M6 L=12				*		1	
34		12123360		LOWER LOOPER ROD ASM. A	FOR MO-6-904R,MO-6914R					1	
35		SS7111810TP		SCREW 11/64-40L=18				*		2	
36		SS7111410TP		SCREW 11/64-40L=14				*		2	
37		SM6061202TP		SCREW M6 L=12				*		1	
38		12120150		LOWER LOOPER ROD ASM. B	FOR MO-6916R					1	
39		SS7111810TP		SCREW 11/64-40L=18				*		2	
40		SS7111410TP		SCREW 11/64-40L=14				*		2	
41		40017824		LOOPER LOD STOPPER						4	
42		SS6081210TP		SCREW 1/8-44 L=12						2	
43	R	12132106	13232558	KNIFE DRIVING ROD						1	1.00
44		SS7111810TP		SCREW 11/64-40L=18						2	
45		SS7110840SP		SCREW 11/64-40 L=7.8						1	

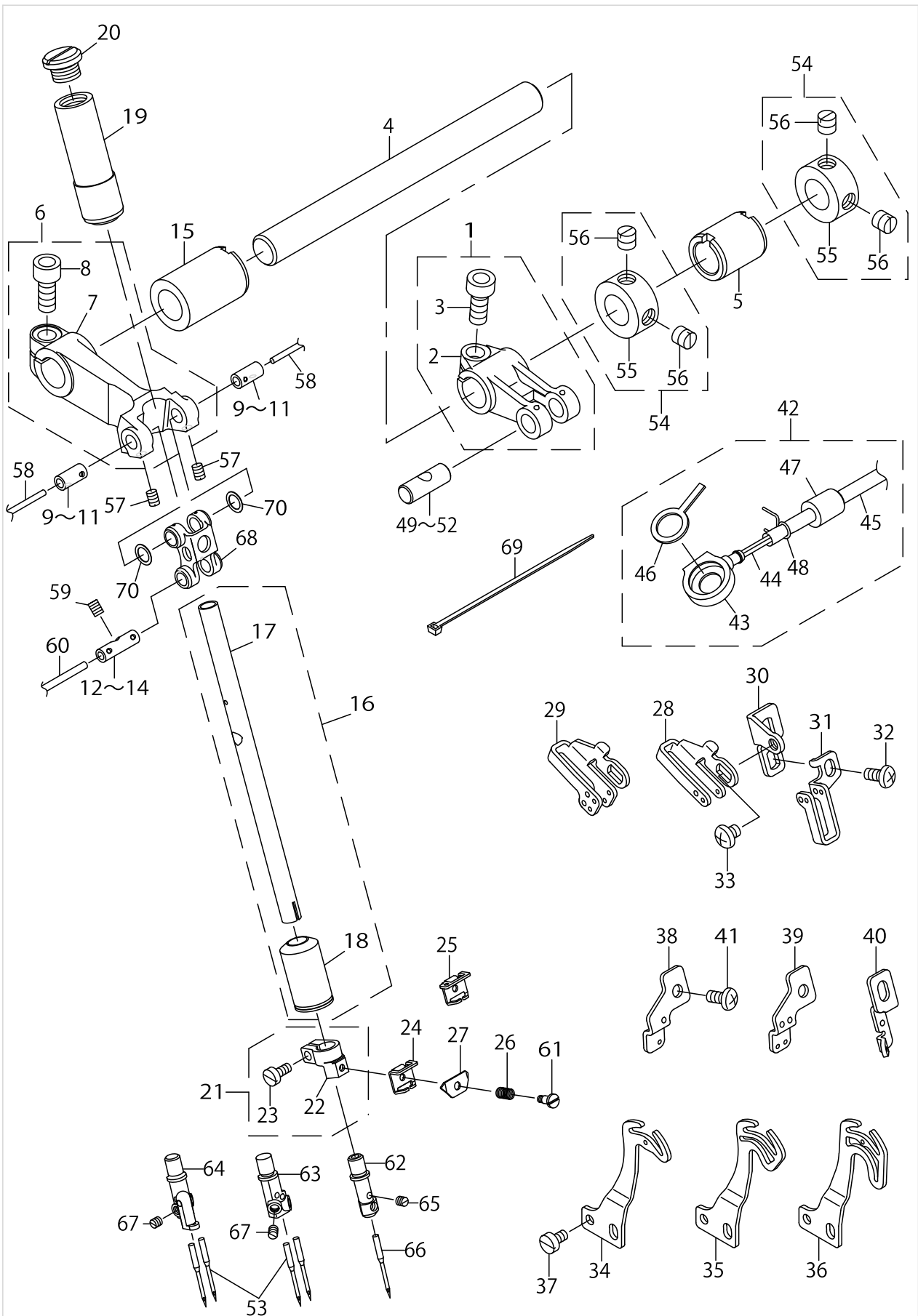
CRANKSHAFT COMPONENTS



CRANKSHAFT COMPONENTS

No.	Supply Code	Parts No.	Replacement	Parts name	Remarks	Choice	Step	Level	Cons	Qty	Rep. QTY
46		SS7110840SP		SCREW 11/64-40 L=7.8						1	
47		40017714		BALANCER						1	
48		40035711		OIL WICK						1	

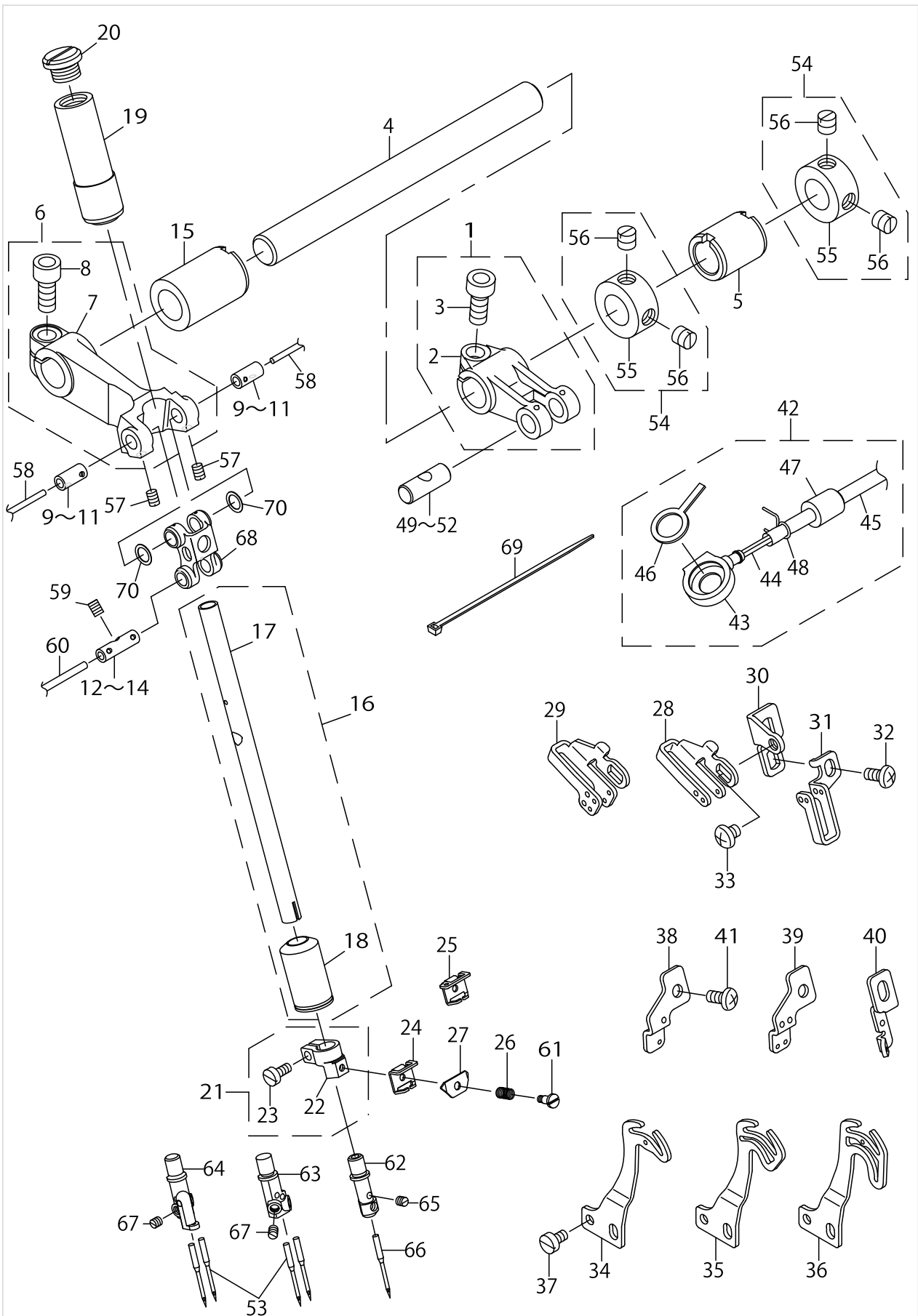
NEEDLE DRIVING SHAFT COMPONENTS



NEEDLE DRIVING SHAFT COMPONENTS

No.	Supply Code	Parts No.	Replacement	Parts name	Remarks	Choice	Step	Level	Cons	Qty	Rep. QTY
1	D	12280756		FEED FORKED CRANK ASM.						1	
2	R	12280707	13110556	FEED FORKED CRANK				*		1	1.00
3		SM6061402TP		SCREW M6 L=14				*		1	
4		13110606		NEEDLE DRIVING SHAFT						1	
5		13110101		BUSHING REAR						1	
6		13209853		NEEDLE DRIVING ARM ASM.						1	
7	R	13209804	13209853	NEEDLE DRIVING ARM				*		1	1.00
8		SM6061402TP		SCREW M6 L=14				*		1	
9		13209101		NEEDLE DRIVING ARM PIN A	SELECTIVE PARTS					2	
10		13209200		NEEDLE DRIVING ARM PIN B	SELECTIVE PARTS					2	
11		13209309		NEEDLE DRIVING ARM PIN C	SELECTIVE PARTS					2	
12		13209408		NEEDLE DRIVING PIN A	SELECTIVE PARTS					1	
13		13209507		NEEDLE DRIVING PIN B	SELECTIVE PARTS					1	
14		13209606		NEEDLE DRIVING PIN C	SELECTIVE PARTS					1	
15		13110002		BUSHING REAR						1	
16		13208350		NEEDLE ROD (A) ASM.						1	
17	R	13208301	13208350	NEEDLE ROD (A)				*		1	1.00
18	R	13207709	13208350	NEEDLE ROD BUSHING LOWER				*		1	1.00
19		13209705		NEEDLE ROD BUSHING UPPER						1	
20		13207808		NEEDLE ROD BUSHING CAP SCREW						1	
21		13110259		NEEDLE CLAMP HOLDER ASM.						1	
22	R	13110200	13110259	NEEDLE CLAMP HOLDER				*		1	1.00
23		SS6080720SP		SCREW 1/8-44 L=7				*		1	
24	R	12280905	13110705	NEEDLE THREAD PRESSER GUIDE A	FOR MO-6-904R,MO-6914R					1	1.00
25	R	12281002	13110804	NEEDLE THREAD PRESSER GUIDE B	FOR MO-6916R					1	1.00
26		13110903		NEEDLE THREAD PRESSER SPRING						1	
27		13111000		NEEDLE THREAD PRESSER PLATE A						1	
28		13208806		NEEDLE THREAD GUIDE	FOR MO-6-904R,MO-6916R					1	
29		13208905		THREAD GUIDE 2-NEEDLE	FOR MO-6914R					1	
30		13208707		NEEDLE THREAD GUIDE BASE						1	
31		13111109		THREAD GUIDE CHAIN LOOPER	FOR MO-6916R					1	
32		SM4040855SP		SCREW						2	
33		SS4110515SP		SCREW 11/64-40 L=5						1	
34		31202609		NEEDLE THREAD TAKE-UP LEVER	FOR MO-6904R					1	
35		31202708		TAKE-UP LEVER 2-NEEDLE	FOR MO-6914R					1	
36		31202807		TAKE-UP LEVER CHAIN LOOP	FOR MO-6916R					1	
37		SS6090670TP		SCREW 9/64-40 L=6						2	
38		13111505		NEEDLE THREAD BALANCE GUIDE	FOR MO-6-904R,MO-6916R					1	
39		13111604		LEVER GUIDE	FOR MO-6914R					1	
40		13111703		TAKE-UP LEVER GUIDE CHAIN LOOP	FOR MO-6916R					1	
41		SM4040855SP		SCREW						1	
42		13272554		ONCE THROUGH OIL PIPE ASM.						1	
43		13272505		ONCE THROUGH OIL COVER				*		1	

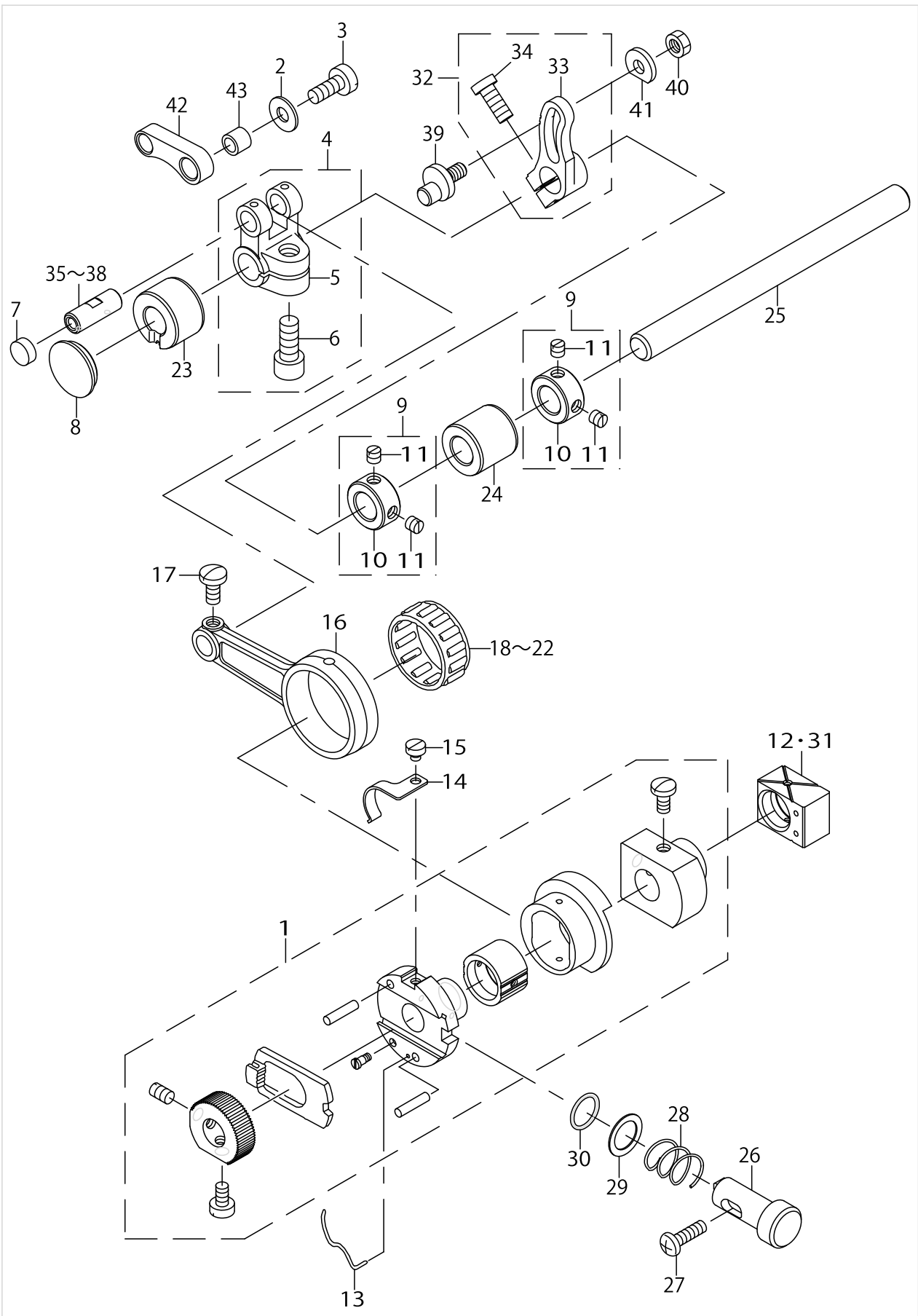
NEEDLE DRIVING SHAFT COMPONENTS



NEEDLE DRIVING SHAFT COMPONENTS

No.	Supply Code	Parts No.	Replacement	Parts name	Remarks	Choice	Step	Level	Cons	Qty	Rep. QTY
44		CQ20000000		OIL WICK				*		0.68	
45		23630007		TUBE				*		0.34	
46		13208608		ONCE THROUGH OIL FELT				*		1	
47		13244009		ONCE THROUGH OIL PIPE BUSHING				*		1	
48		13142609		OIL TUBE HOLDER				*		1	
49		13122007		FEED BRANCH CRANK PIN A	SELECTIVE PARTS					1	
50		13122106		FEED BRANCH CRANK PIN B	SELECTIVE PARTS					1	
51		13122205		FEED BRANCH CRANK PIN C	SELECTIVE PARTS					1	
52		13122304		FEED BRANCH CRANK PIN D	SELECTIVE PARTS					1	
53		MDC270B1100		NEEDLE DCX27 #11	FOR MO-6-914R,MO-6916R					2	
54		13172754		THRUST COLLAR ASM.						2	
55		13172705		THRUST COLLAR				*		1	
56		SS8660610TP		SCREW 1/4-40 L=6				*		2	
57		SS8090530TP		SCREW 9/64-40 L=5.0						2	
58		CQ20200000		OIL WICK						.09	
59		SS8090530TP		SCREW 9/64-40 L=5.0						1	
60		CQ25200000		OIL WICK						.04	
61		SD0280401SL		HINGE SCREW D=2.8 H=4						1	
62		40010885		NEEDLE CLAMP	FOR MO-6904R					1	
63		13175203		NEEDLE CLAMP 2-NEEDLE	FOR MO-6914R					1	
64	R	12257002	13175500	CHAIN LOOPER NEEDLE CLAMP DE	FOR MO-6916R					1	1.00
65		SS8080310TP		SCREW 1/8-44 L=2.8	FOR MO-6904R					1	
66		MDC270B1100		NEEDLE DCX27 #11	FOR MO-6904R					1	
67		SS8080310TP		SCREW 1/8-44 L=2.8	FOR MO-6-914R,MO-6916R					2	
68		13208004		NEEDLE DRIVING LINK						1	
69		EA9500B0100		CABLE BAND						1	
70		13208103		NEEDLE DRIVING LINK WASHER						2	

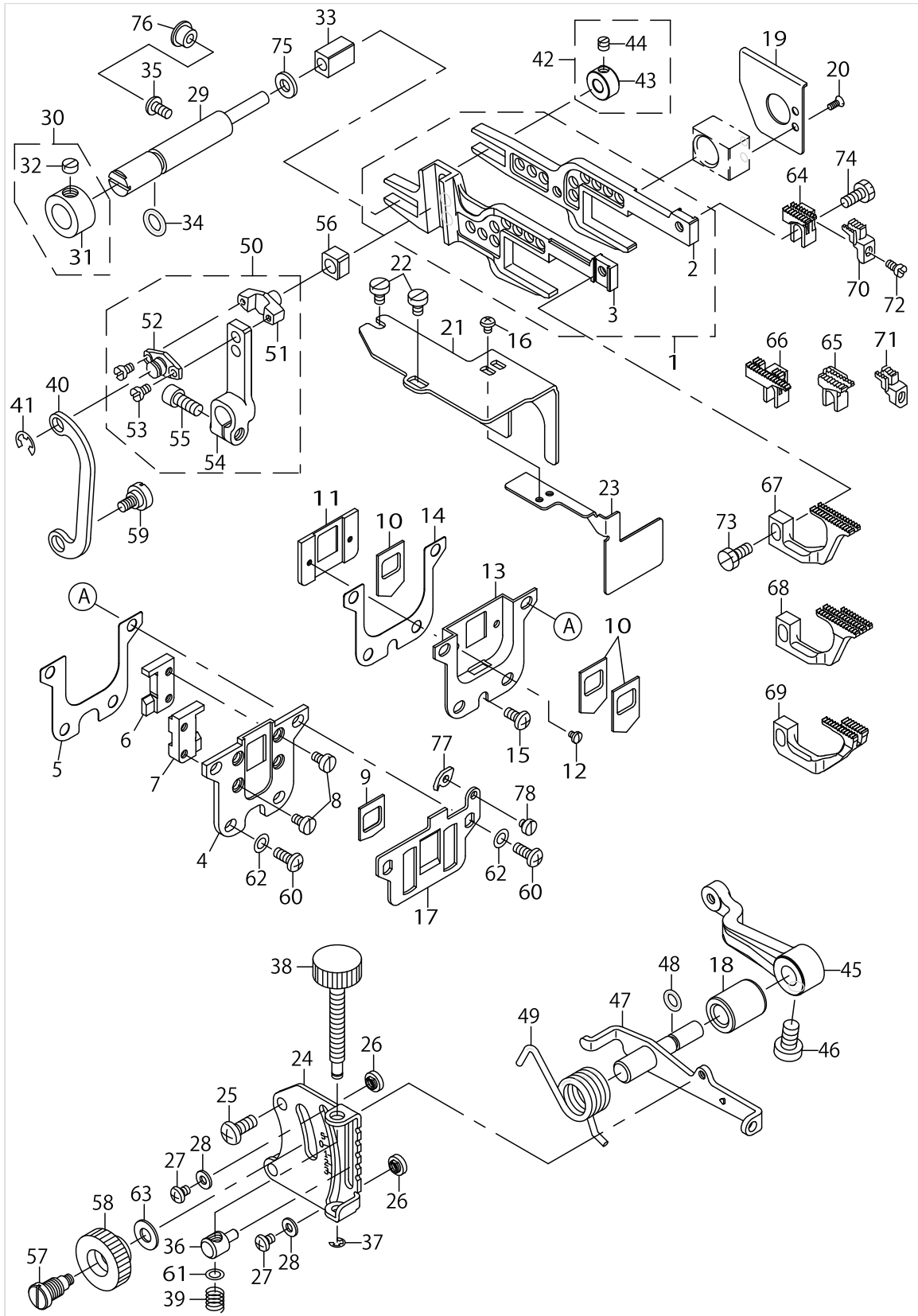
FEED MECHANISM COMPONENTS (1)



FEED MECHANISM COMPONENTS (1)

No.	Supply Code	Parts No.	Replacement	Parts name	Remarks	Choice	Step	Level	Cons	Qty	Rep. QTY
1		13118054		FEED ECCENTRIC BODY ASM.						1	
2		13120605		WASHER						1	
3		SS6121220TP		SCREW 3/16-28 L=11.5						1	
4		13122452		FEED BRANCH CRANK ASM.						1	
5		13122403		FEED BRANCH CRANK				*		1	
6		SM6061402TP		SCREW M6 L=14				*		1	
7		TA1030402R0		RUBBER PLUG D=10.3 L=4						1	
8		TA2050416R0		RUBBER PLUG						1	
9		13172556		FEED SHAFT THRU-ST COLLAR ASM.						2	
10		13172507		FEED SHAFT THRUST COLLAR				*		1	
11		SS8110410TP		SCREW 11/64-40 L=3.5				*		2	
12		13217807		SLIDE BLOCK A	SELECTIVE PARTS					1	
13	R	B1606704000	13122502	RATCHET PAWL SPRING						1	1.00
14		13119300		RATCHET GEAR SPRING						1	
15		SS6080320SP		SCREW 1/8-44 L=2.5						1	
16	R	12282604	13118708	CRANK ROD						1	1.00
17		SS7110910TP		SCREW 11/64-40 L=8.5						1	
18		12116604		NEEDLE BEARING	SELECTIVE PARTS					1	
19		12116703		NEEDLE BEARING B	SELECTIVE PARTS					1	
20		12116802		NEEDLE BEARING C	SELECTIVE PARTS					1	
21		12116901		NEEDLE BEARING D	SELECTIVE PARTS					1	
22		12117008		NEEDLE BEARING E	SELECTIVE PARTS					1	
23		13119409		FEED SHAFT METAL FRONT						1	
24		13119508		FEED SHAFT METAL REAR						1	
25	R	12283008	13119607	FEED SHAFT						1	1.00
26	D	13216809		PUSHBUTTONSHAFT						1	
27		SM4041455SN		SCREW M4 L=14						1	
28		13216601		PUSH BUTTON SPRING						1	
29		13216700		PUSH BUTTON SHAFT WASHER						1	
30		13244108		RUBBER RING						1	
31		13217906		SLIDE BLOCK B	SELECTIVE PARTS					1	
32	R	11824075	13119953	MAIN FEED ARM ASM.						1	1.00
33		13119904		MAIN FEED ARM				*		1	
34		SM6051202TP		SCREW M5X0.8 L=12				*		1	
35		B1612804A00		CRANK PIN (A)	SELECTIVE PARTS					1	
36		B1612804B00		CRANK PIN (B)	SELECTIVE PARTS					1	
37		B1612804C00		CRANK PIN C	SELECTIVE PARTS					1	
38	D	B1612804D00		CRANK PIN (D)	SELECTIVE PARTS					1	
39		13119706		MAIN FEED ARM PIN						1	
40		NS6620320SP		NUT 3/16-32						1	
41		13120001		WASHER B						1	
42		13119805		MAIN FEED LINK						1	
43		13120506		PIN COLLAR						1	

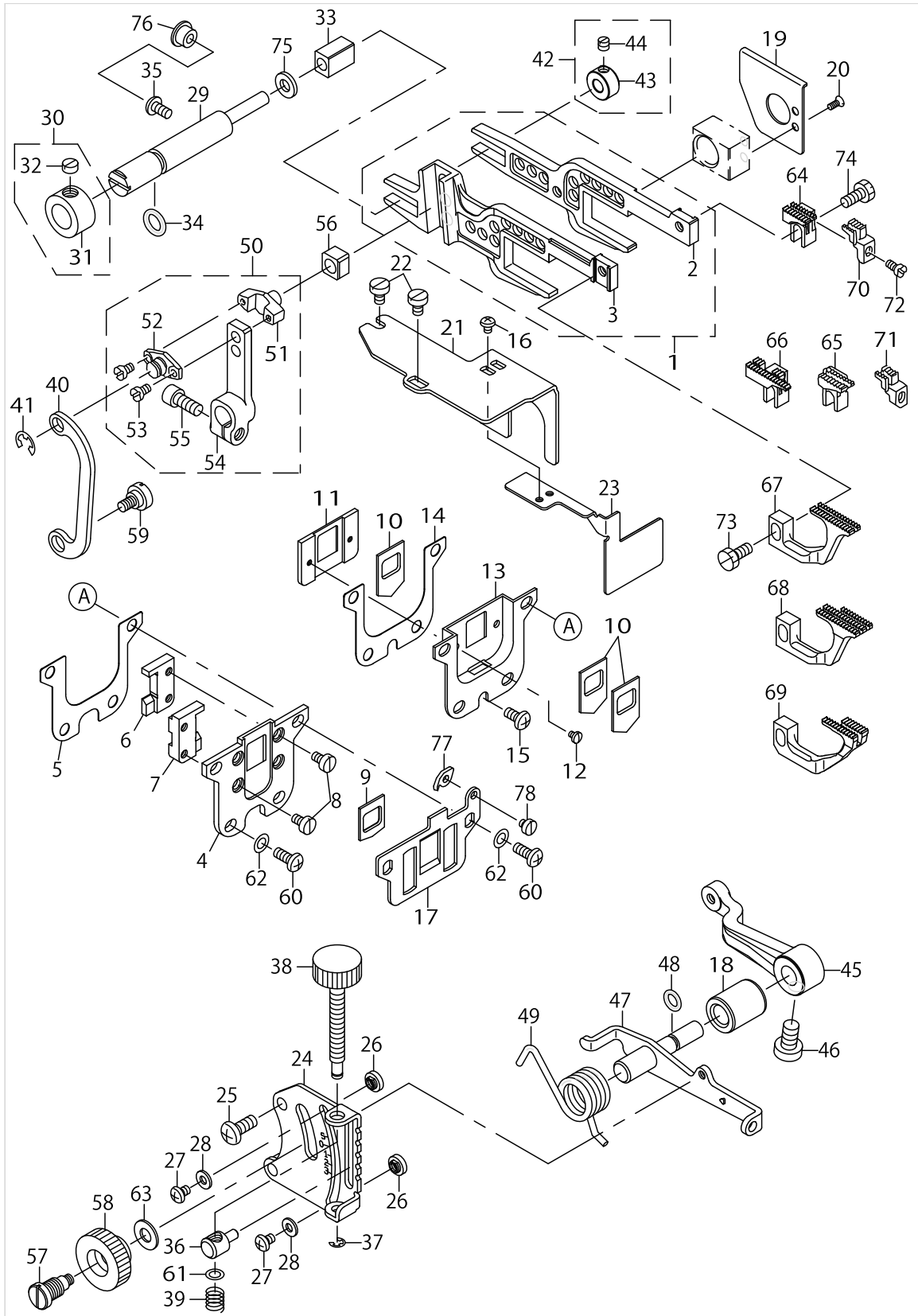
FEED MECHANISM COMPONENTS (2)



FEED MECHANISM COMPONENTS (2)

No.	Supply Code	Parts No.	Replacement	Parts name	Remarks	Choice	Step	Level	Cons	Qty	Rep. QTY
1		13215157		FEED ROCKER ASM.						1	
2	R	13215108	13215157	MAIN FEED BAR				*		1	1.00
3	R	13215207	13215157	DIFFERENTIAL FEED BAR				*		1	1.00
4		13215306		RUBBER CASE						1	
5		13215405		RUBBER CASE GASKET						1	
6		13215504		FEED BAR SUPPORT RIGHT						1	
7		13215603		FEED BAR SUPPORT LEFT						1	
8		SS6090620TP		SCREW						4	
9	R	12118303	70004244	DUST-PROOF RUBBER						1	1.00
10		70004244		OIL_SHIELD_RUBBER						3	
11		13215702		RUBBER HOLDING PLATE						1	
12		SS7060310SP		SCREW 3/32-56 L=3						2	
13		13215900		OIL SHIELD CASE						1	
14		13216007		OIL SHIELD CASE GASKET						1	
15		SM4040855SP		SCREW						1	
16		SM4030455SP		SCREW						2	
17		13215801		THROAT PLATE SUPPORT						1	
18		13122700		ADJUSTING SHAFT METAL						1	
19		13216106		OIL SHIECD PLATE						1	
20		SS1060610SP		SCREW 3/32-56 L=5.5						2	
21		13216205		FEED CAM OIL SHIECD PLATE						1	
22		SM6040600SP		SCREW M4 L=6						2	
23		13216304		OIL SHIECD PLATE						1	
24		13122809		DIFFERENTIAL FEED GRADUATION						1	
25		SM4051255SP		SCREW M5 L=12						2	
26		13121405		ADJUSTING STOPPER						2	
27		SS4090515SP		SCREW 9/64-40 L=5						2	
28		WP0371016SD		WASHER 3.7X8X1						2	
29		13120902		SUPPORT SHAFT						1	
30		13121058		HRUST COLLAR ASM.						1	
31		13121009		HRUST COLLAR				*		1	
32		SS8660330SP		SCREW 1/4-40 L=3.0				*		1	
33		13120803		SLIDE BLOCK						1	
34		13170204		RUBBER RING						1	
35		SM4040855SP		SCREW						1	
36		13217708		DIFFERENTIAL FEED BLOCK						1	
37		RE0300000K0		E-RING 3						1	
38		13213012		ADJUSTING SCREW						1	
39		13123302		DIFFERENTIAL FEED SCREW SPRING						1	
40		13121306		ADJUSTING LINK						1	
41		RE0500000K0		E-RING 5						1	
42		13121256		SUPPORT SHAFT COLLAR ASM.						1	
43	R	13121207	13121256	SUPPORT SHAFT COLLAR				*		1	1.00
44		SS8110410TP		SCREW 11/64-40 L=3.5				*		1	
45		13121900		DIFFERENTIAL FEED ROCKER						1	
46		SS6661110SP		SCREW 1/4-40 L=11						1	

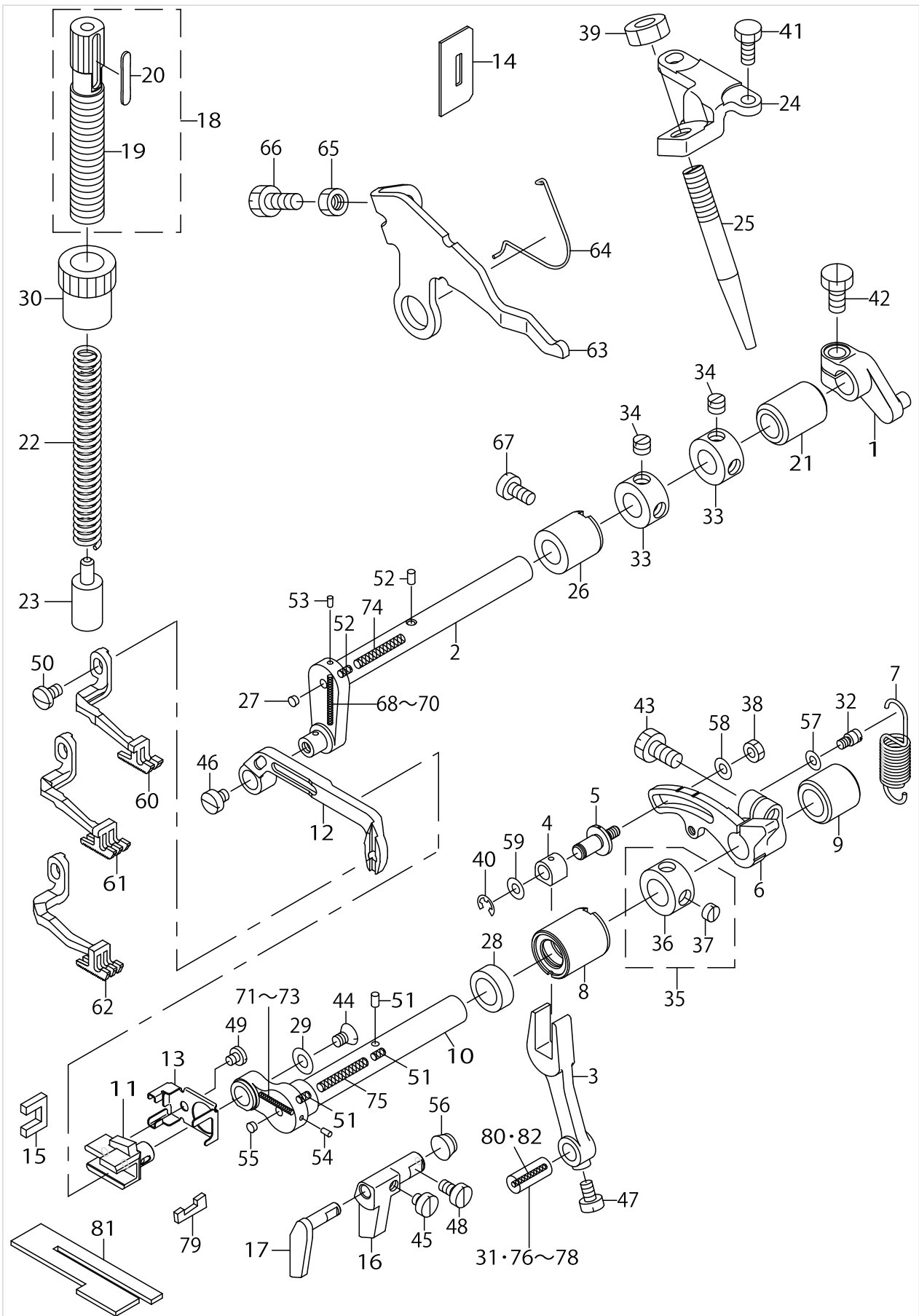
FEED MECHANISM COMPONENTS (2)



FEED MECHANISM COMPONENTS (2)

No.	Supply Code	Parts No.	Replacement	Parts name	Remarks	Choice	Step	Level	Cons	Qty	Rep. QTY
47		13217351		ROCKER SHAFT ASM.						1	
48		13170501		RUBBER RING						1	
49		13121603		ADJUSTING LEVER SPRING						1	
50		13218052		DIFFERENTIAL FEED ARM ASM.						1	
51		11825304		DIFFERENTIAL FEED PIN				*		1	
52	R	11826401	13218052	DIFFERENTIAL FEED PIN COVER				*		1	1.00
53		SS6080410SP		SCREW 1/8-44 L=4				*		2	
54	R	13218003	13218052	DIFFERENTIAL FEED ARM				*		1	1.00
55		SM6051202TP		SCREW M5X0.8 L=12				*		1	
56		13218102		SLIDE BLOCK						1	
57		13217401		DIFFERENTIAL FEED HINGE SCREW						1	
58		13217500		DIFFERENTIAL FEED LOCK NUT						1	
59		SD0720271SP		HINGE SCREW D=7.2 H=2.7						1	
60		SM4041055SP		SCREW M4 L=10						4	
61		WP0460556SD		WASHER 4.6X7.5X0.5						1	
62		WP0480856SP		WASHER 4.8X8.4X0.8						4	
63		WP0621016SD		WASHER 6.2X13X1						1	
64		13191606		MAIN FEED DOG	FOR MO-6904R					1	
65		13192000		MAIN FEED DOG	FOR MO-6914R					1	
66		13192406		MAIN FEED DOG	FOR MO-6916R					1	
67		13192802		DIFFERENTIAL FEED DOG	FOR MO-6904R					1	
68		13193206		DIFFERENTIAL FEED DOG	FOR MO-6914R					1	
69		13193602		DIFFERENTIAL FEED DOG	FOR MO-6916R					1	
70		13191309		AUXILIARY FEED DOG	FOR MO-6-904R,MO-6914R					1	
71		13191408		AUXILIARY FEED DOG	FOR MO-6916R					1	
72		SS4080620TP		SCREW 1/8-44 L=6						1	
73		SS9111010SP		SCREW 11/64-40 L=9.5						1	
74		SS9111050SP		SCREW 11/64-40 L=9.5						1	
75		13121108		WASHER						1	
76		TA0800504R0		PLUG D=8 L=4.5						1	
77		13200902		FEED MECHANISM COVER PRESSER						1	
78		SS6080340SP		SCREW 1/8-44 L=2.9						1	

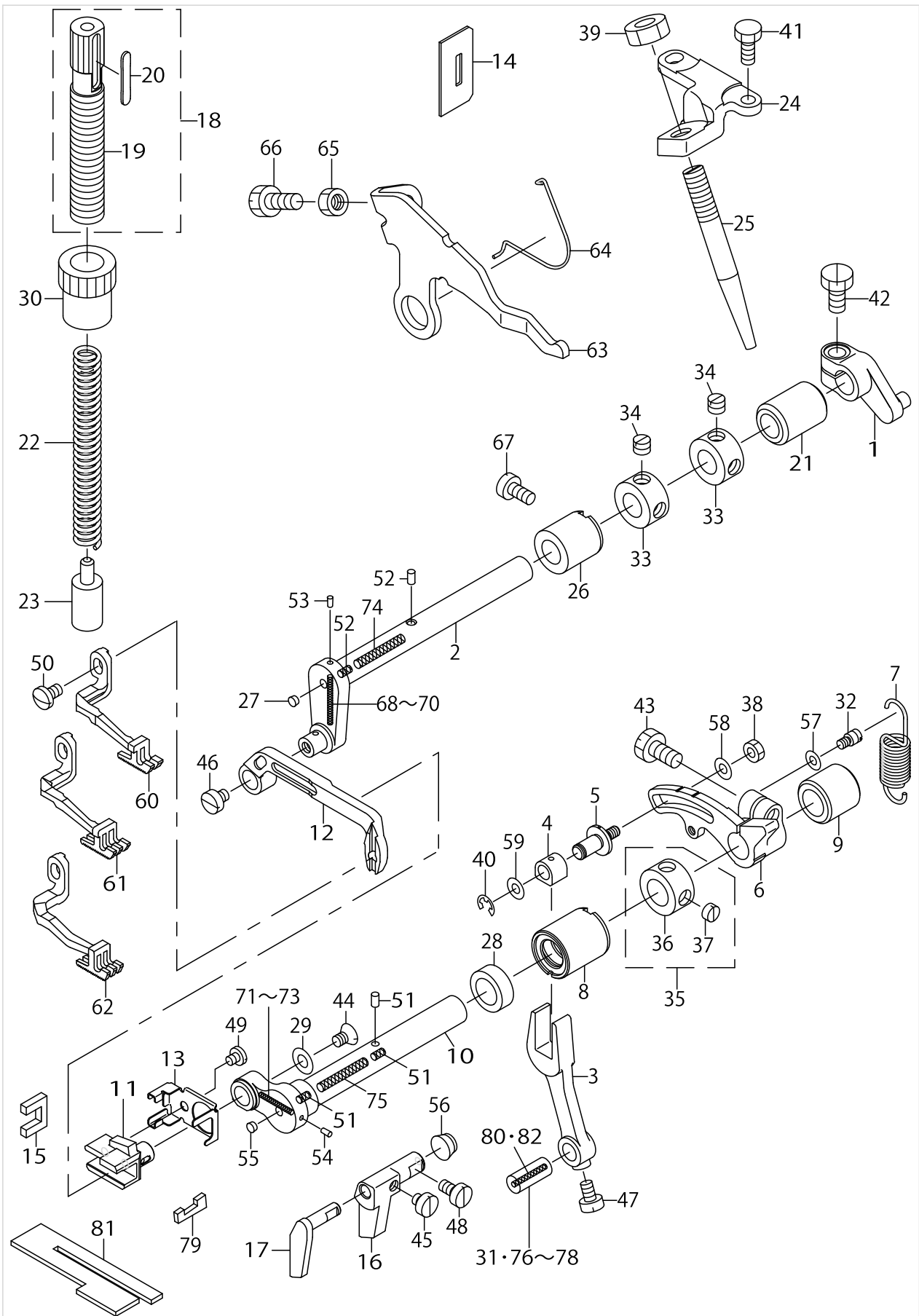
UPPER FEED MECHANISM COMPONENTS (1)



UPPER FEED MECHANISM COMPONENTS (1)

No.	Supply Code	Parts No.	Replacement	Parts name	Remarks	Choice	Step	Level	Cons	Qty	Rep. QTY
1		31208507		HORIZONTAL ARM C						1	
2		31208606		HORIZONTAL SHAFT						1	
3		31208705		VERTICAL ROD						1	
4		31208804		VERTICAL SLIDE BLOCK						1	
5		31208903		VERTICAL ADJUST PIN						1	
6		12309605		ADJUST ARM						1	
7		12309704		ADJUST ARM SPRING						1	
8		13277405		SHAFTMETALFRONT						1	
9		12309902		VERTICAL SHAFT REAR METAL						1	
10		12310009		SHAFT						1	
11		13276308		UPPER FEED SLIDE BLOCK						1	
12		13276209		UPPER FEED BAR						1	
13		13276704		OIL THROWER RUBBER PRESSER						1	
14		12306007		LIFTER RUBBER						1	
15		12310504		FEED BAR FELT						1	
16		13276407		GUIDE A						1	
17		13276506		GUIDE B						1	
18		12310850		ADJUST SCREW ASM.						1	
19		12310801		ADJUST SCREW				*		1	
20	R	12310900	12310850	ADJUST SCREW PLATE				*		1	1.00
21		40078183		METAL REAR						1	
22		12311007		UPPER PRESSER SPRING						1	
23		12311106		UPPER PRESSER SLIDE BLOCK						1	
24	R	31211303	12312203	SHAFT SCREW BASE						1	1.00
25		31211402		SHAFT SCREW						1	
26		12308300		METAL FRONT						1	
27		TA0340201R0		PLUG D=3.4X3.9 L=S						1	
28		11566809		OIL SEAL						1	
29		11913407		SLIDE BLOCK WASHER						1	
30		11914405		NUT						1	
31		B1612804C00		CRANK PIN C	SELECTIVE PARTS					1	
32	R	B2024771000	40009196	SUSPENSION SCREW						1	1.00
33		CS1001011SH		THRUST COLLAR						2	
34		SS8660530TP		SCREW 1/4-40 L=4.5						2	
35		CS111101HSH		THRUST COLLAR ASM.						1	
36		CS1111019SH		THRUST COLLAR D=11.11 W=10				*		1	
37		SS8660330SP		SCREW 1/4-40 L=3.0				*		1	
38		NM6040000SN		NUT M4						1	
39		NM6080011SF		NUT M8						1	
40		RE0400000K0		E-RING 4						1	
41		SM9051203CP		SCREW M5 L=12						2	
42		SM9061250TP		SCREW M6 L=12						1	
43		SM9061250TP		SCREW M6 L=12						1	
44		SS2110710TP		SCREW 11/64-40 L=7						1	
45		SS6110420TP		SCREW 11/64-40 L=4.8						1	
46		SS6110520TP		SCREW 11/64-40 L=4.5						1	

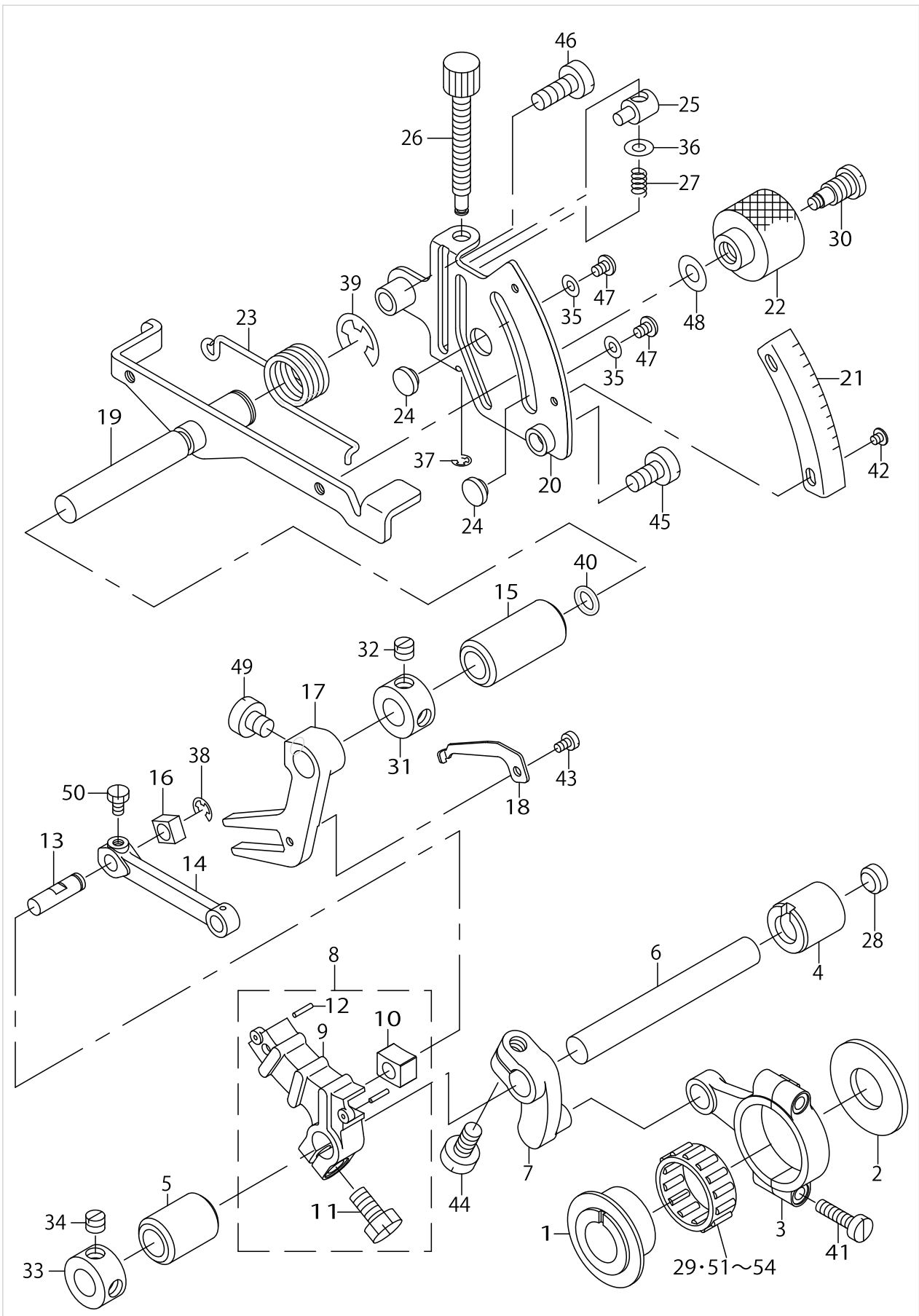
UPPER FEED MECHANISM COMPONENTS (1)



UPPER FEED MECHANISM COMPONENTS (1)

No.	Supply Code	Parts No.	Replacement	Parts name	Remarks	Choice	Step	Level	Cons	Qty	Rep. QTY
47		SS6110710TP		SCREW 11/64-40 L=6.5						1	
48		SS6110820TP		SCREW 11/64-40 L=8						1	
49		SS7090410SP		SCREW 9/64-40 L=3.5						1	
50		SS7110740TP		SCREW 11/64-40 L=7						1	
51		B3525704000		OIL FELT						3	
52		B3525704000		OIL FELT						2	
53		TA0180401M0		NEEDLE COOLER PLUG CAP						1	
54		TA0180401M0		NEEDLE COOLER PLUG CAP						1	
55		TA0340201R0		PLUG D=3.4X3.9 L=2						1	
56		TA0800501R0		PLUG D=8X8.2 L=5						1	
57		WP0371036SD		WASHER 3.7X6X1						1	
58		WP0451026SH		WASHER						1	
59		WP0621016SH		WASHER						1	
60		13277900		UPPER FEED DOG	FOR MO-3904R					1	
61		13278007		UPPER FEED DOG	FOR MO-3914R					1	
62		12330007		UPPER FEED DOG	FOR MO-3916R					1	
63		31204407		TOP FEED DOG LIFTER B						1	
64		12305504		UPPER FEED DOG LIFTER B SPRING						1	
65		NS6150430SP		NUT 15/64-28						1	
66		SS9151210TP		SCREW 15/64-28 L=11.8						1	
67		SS6121020SP		SCREW 3/16-28 L=9.5						1	
68		12316402		OIL WICK(VERTICAL A)	SELECTIVE PARTS					1	
69		12316501		OIL WICK(VERTICAL B)	SELECTIVE PARTS					1	
70		12316600		OIL WICK(VERTICAL C)	SELECTIVE PARTS					1	
71		12316709		OIL WICK(VERTICAL A)	SELECTIVE PARTS					1	
72		12316808		OIL WICK(VERTICAL B)	SELECTIVE PARTS					1	
73		12316907		OIL WICK(VERTICAL C)	SELECTIVE PARTS					1	
74		12317103		OIL WICK(HORIZONTAL)						1	
75		12317202		OIL WICK (HORIZONTAL)						1	
76		B1612804A00		CRANK PIN (A)	SELECTIVE PARTS					1	
77		B1612804B00		CRANK PIN (B)	SELECTIVE PARTS					1	
78	D	B1612804D00		CRANK PIN (D)	SELECTIVE PARTS					1	
79		13277207		FELT						1	
80		CQ252000000		OIL WICK						.04	
81		13276803		ONCE THROUGH OIL FELT A						1	
82		CQ202000000		OIL WICK						.04	

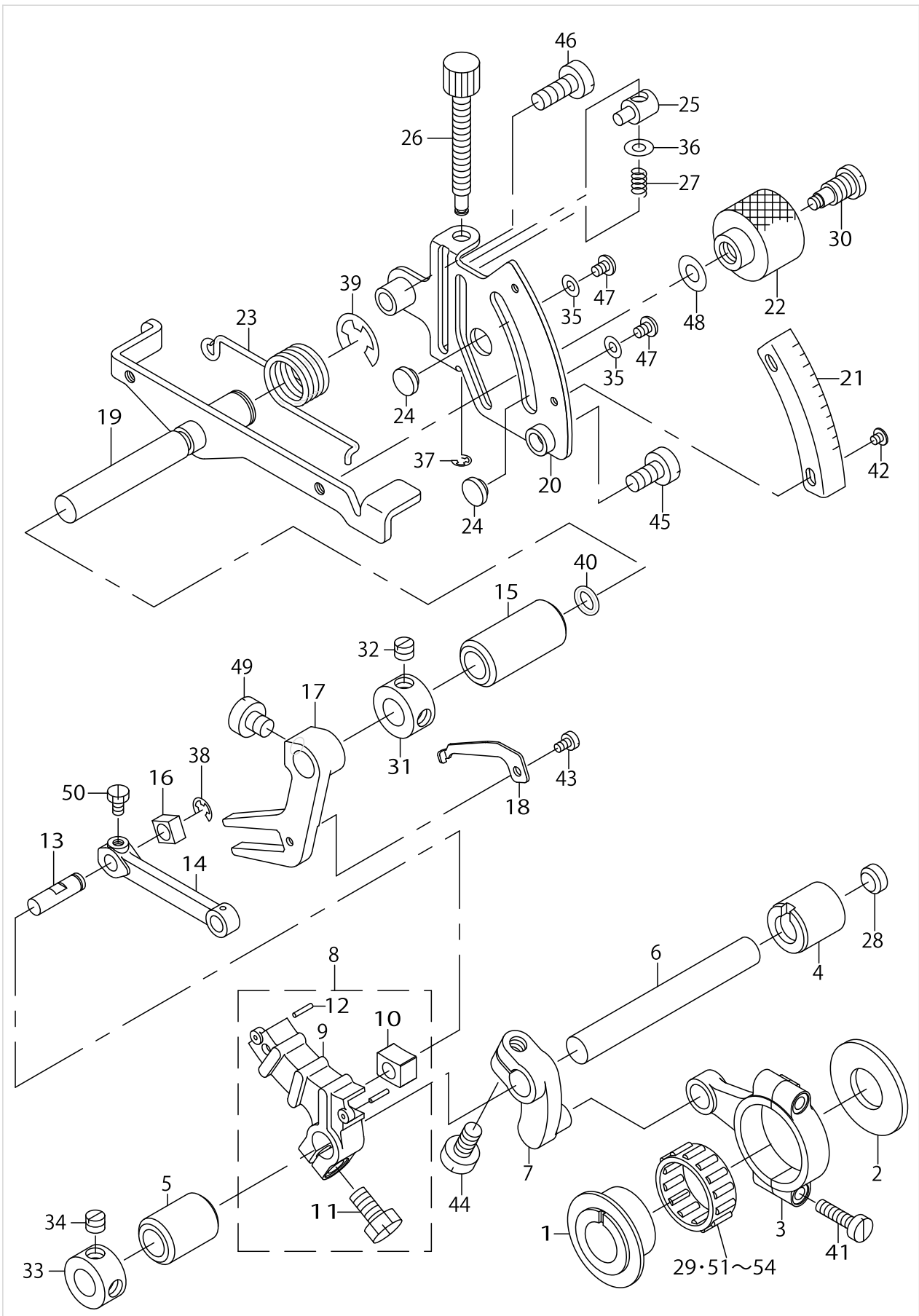
UPPER FEED MECHANISM COMPONENTS (2)



UPPER FEED MECHANISM COMPONENTS (2)

No.	Supply Code	Parts No.	Replacement	Parts name	Remarks	Choice	Step	Level	Cons	Qty	Rep. QTY
1		31207301		HORIZONTAL FEED CAM						1	
2		12308102		CAM SPACER						1	
3	R	12308201	12308250	HORIZONTAL ROD						1	1.00
4		12308300		METAL FRONT						1	
5		12308409		METAL REAR						1	
6		12308508		HORIZONTAL DRIVING SHAFT						1	
7		31207905		HORIZONTAL ARM A						1	
8		12308755		HORIZONTAL ARM B ASM.						1	
9	R	12308706	12308755	HORIZONTAL ARM B				*		1	1.00
10	R	12308805	12308755	HORIZONTAL SLIDE BLOCK A				*		1	1.00
11		SM9061250TP		SCREW M6 L=12				*		1	
12		PS0150082KH		SPRING PIN				*		2	
13		12308904		HORIZONTAL FEED PIN						1	
14		31208408		HORIZONTAL FEED LINK						1	
15		12311205		METAL						1	
16		31210305		HORIZONTAL SLIDE BLOCK B						1	
17		31210404		HORIZONTAL BRANCH ARM						1	
18		31210503		HORIZONTAL BRANCH STOPPER						1	
19		31210750		ADJUSTING SHAFT COMPL.						1	
20		12311809		UPPER FEED SCALE PLATE						1	
21		12311908		UPPER FEED GRADUATION B						1	
22		12312005		UPPER FEED LOCK NUT						1	
23		12312104		UPPER FEED LEVER SPRING						1	
24		11529005		STOPPER						2	
25		11826005		DIFFERENTIAL FEED BLOCK						1	
26		11826104		DIFFERENTIAL FEED SCREW						1	
27		11826203		SPRING						1	
28		11898400		RUBBER PLUG B						1	
29		12116703		NEEDLE BEARING B	SELECTIVE PARTS					1	
30		B1646704000A		DIFFERENTIAL FEED HINGE SCREW						1	
31		CS1001011SH		THRUST COLLAR						1	
32		SS8660530TP		SCREW 1/4-40 L=4.5						1	
33		CS1001011SH		THRUST COLLAR						1	
34		SS8660530TP		SCREW 1/4-40 L=4.5						1	
35		WP0371016SD		WASHER 3.7X8X1						2	
36		WP0460556SD		WASHER 4.6X7.5X0.5						1	
37		RE0300000K0		E-RING 3						1	
38		RE0400000K0		E-RING 4						1	
39		RE0900000K0		E-RING 9						1	
40		RO068190100		RUBBER RING						1	
41		SS7111810TP		SCREW 11/64-40L=18						2	
42		SM0030301SN		SCREW						2	
43		SM6030510SC		SCREW M3X0.5 L=5						1	
44		SM9061250TP		SCREW M6 L=12						1	
45		SM6061210SC		SCREW M6 L=12						1	
46		SM6061610SC		SCREW M6 L=16						1	

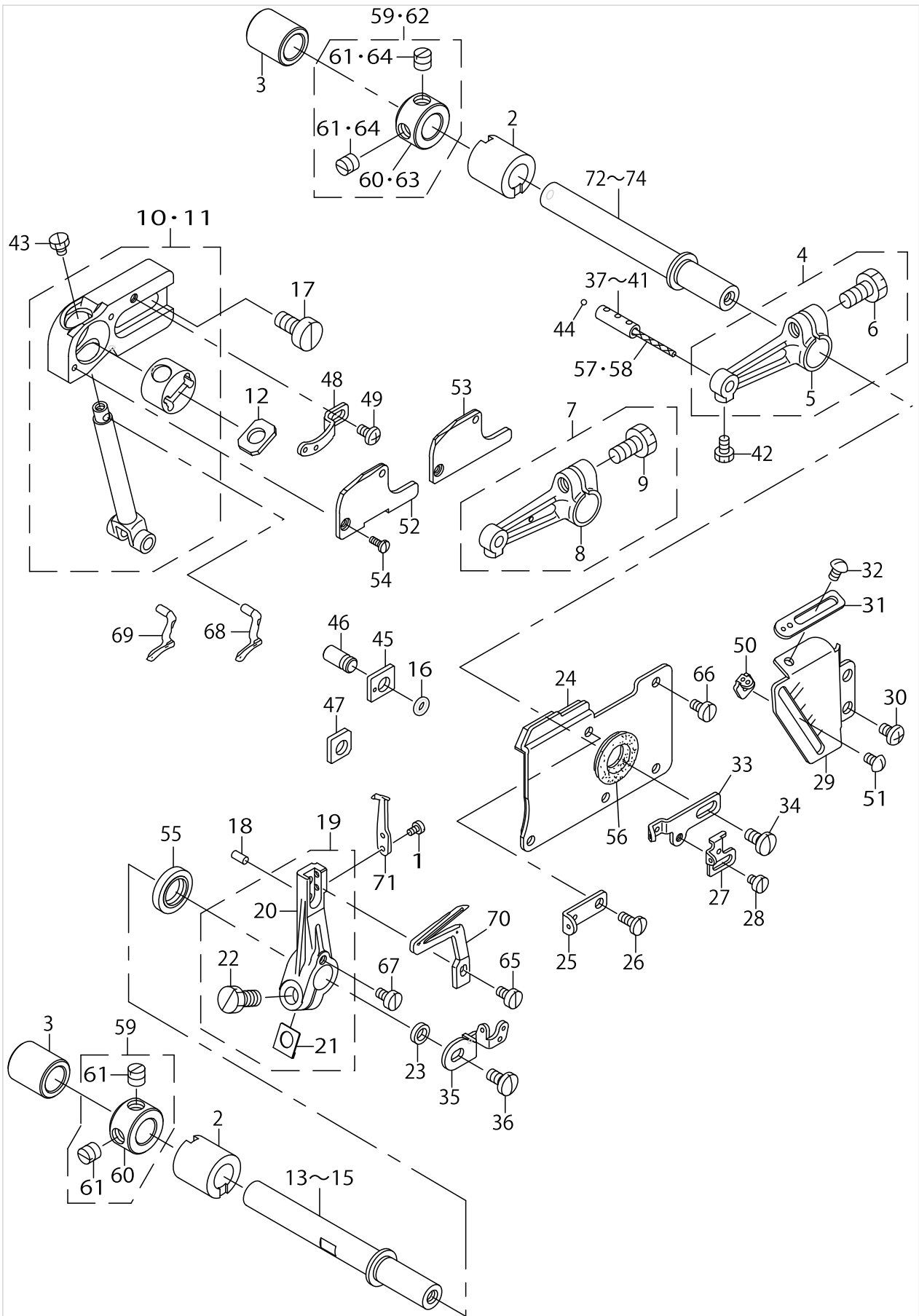
UPPER FEED MECHANISM COMPONENTS (2)



UPPER FEED MECHANISM COMPONENTS (2)

No.	Supply Code	Parts No.	Replacement	Parts name	Remarks	Choice	Step	Level	Cons	Qty	Rep. QTY
47		SS4090515SP		SCREW 9/64-40 L=5						2	
48		WP0621016SD		WASHER 6.2X13X1						1	
49		SS6660710TP		SCREW 1/4-40 L=7						1	
50		SS9090610TP		SCREW 9/64-40 L=5.5						1	
51		12116604		NEEDLE BEARING A	SELECTIVE PARTS					1	
52		12116802		NEEDLE BEARING C	SELECTIVE PARTS					1	
53		12116901		NEEDLE BEARING D	SELECTIVE PARTS					1	
54		12117008		NEEDLE BEARING E	SELECTIVE PARTS					1	

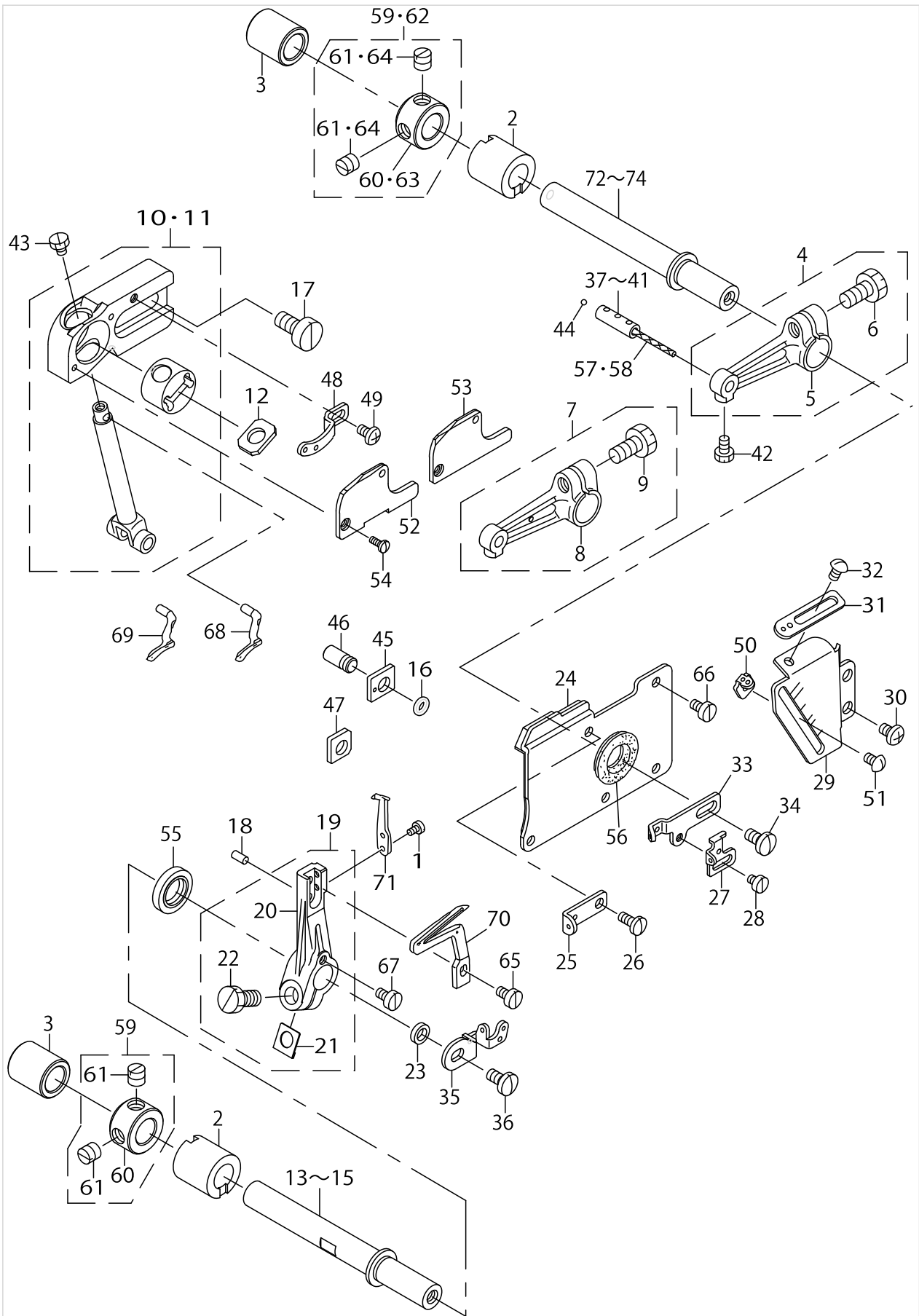
UPPER & LOWER LOOPER COMPONENTS



UPPER & LOWER LOOPER COMPONENTS

No.	Supply Code	Parts No.	Replacement	Parts name	Remarks	Choice	Step	Level	Cons	Qty	Rep. QTY
1		SS6060440TP		SCREW 3/32-56 L=3.5						2	
2		13222609		LOOPER SHAFT FRONT BUSHING						2	
3		13222708		LOOPER SHAFT REAR BUSHING						2	
4		13131057		UPPER LOOPER ARM A ASM.	FOR MO-6-904R,MO-6916R					1	
5	R	13131008	13131057	UPPER LOOPER ARM A				*		1	1.00
6		SS9151210TP		SCREW 15/64-28 L=11.8				*		1	
7		13131156		UPPER LOOPER ARM B ASM.	FOR MO-6914R					1	
8	R	13131107	13131156	UPPER LOOPER ARM B				*		1	1.00
9		SS9151210TP		SCREW 15/64-28 L=11.8				*		1	
10		40015637		GUIDE SUPPORT ASM.	FOR MO-6-904R,MO-6916R					1	
11		40016841		GUIDE SUPPORT B ASM	FOR MO-6914R					1	
12		40011234		DUST SEALING FELT						1	
13		13221700		UPPER LOOPER SHAFT A	SELECTIVE PARTS					1	
14		13221809		UPPER LOOPER SHAFT B	SELECTIVE PARTS					1	
15		13221908		UPPER LOOPER SHAFT C	SELECTIVE PARTS					1	
16		13170600		RUBBER RING						1	
17		SM6061200SP		SCREW M6 L=12						2	
18		PS0300062KH		SPRING PIN 3X6						1	
19		13132550		LOWER LOOPER SUPPORT ARM ASM.						1	
20	R	13132501	13132550	LOWER LOOPER SUPPORT ARM				*		1	1.00
21		13129309		WASHER				*		1	
22		SS9151210TP		SCREW 15/64-28 L=11.8				*		1	
23		13132600		COLLAR						1	
24		13133053		OIL SHIELD PLATE ASM.						1	
25		12340600		UPPER LOOPER THREAD GUIDE						1	
26		SS7090850SP		SCREW 9/64-40 L=8						1	
27		12340709		LOWER LOOPER THREAD TAKE-UP						1	
28		SS6080410SP		SCREW 1/8-44 L=4						1	
29		13222401		LOOPER THREAD TAKE-UP COVER						1	
30		SM4040655SP		SCREW M4 L=6						2	
31		12340303		THREADGUIDERIGHT						1	
32		SS3090610SP		SCREW 9/64-40 L=6						1	
33		12340402		THREAD TAKE-UP RIGHT						1	
34		SS7110840SP		SCREW 11/64-40 L=7.8						1	
35		13132907		LOOPER THREAD TAKE-UP LEFT						1	
36		SS7110840SP		SCREW 11/64-40 L=7.8						1	
37		13131206		UPPER LOOPER HOLDER PIN A	SELECTIVE PARTS					1	
38		13131305		UPPER LOOPER HOLDER PIN B	SELECTIVE PARTS					1	
39	R	13131404	13131503	UPPER LOOPER HOLDER PIN C	SELECTIVE PARTS					1	1.00
40		13131503		UPPER LOOPER HOLDER PIN D	SELECTIVE PARTS					1	
41		13131602		UPPER LOOPER HOLDER PIN E	SELECTIVE PARTS					1	
42		SS9090610TP		SCREW 9/64-40 L=5.5						1	
43		SS9090410TP		SCREW						1	
44		13131701		OIL WICK STOPPER BALL						1	

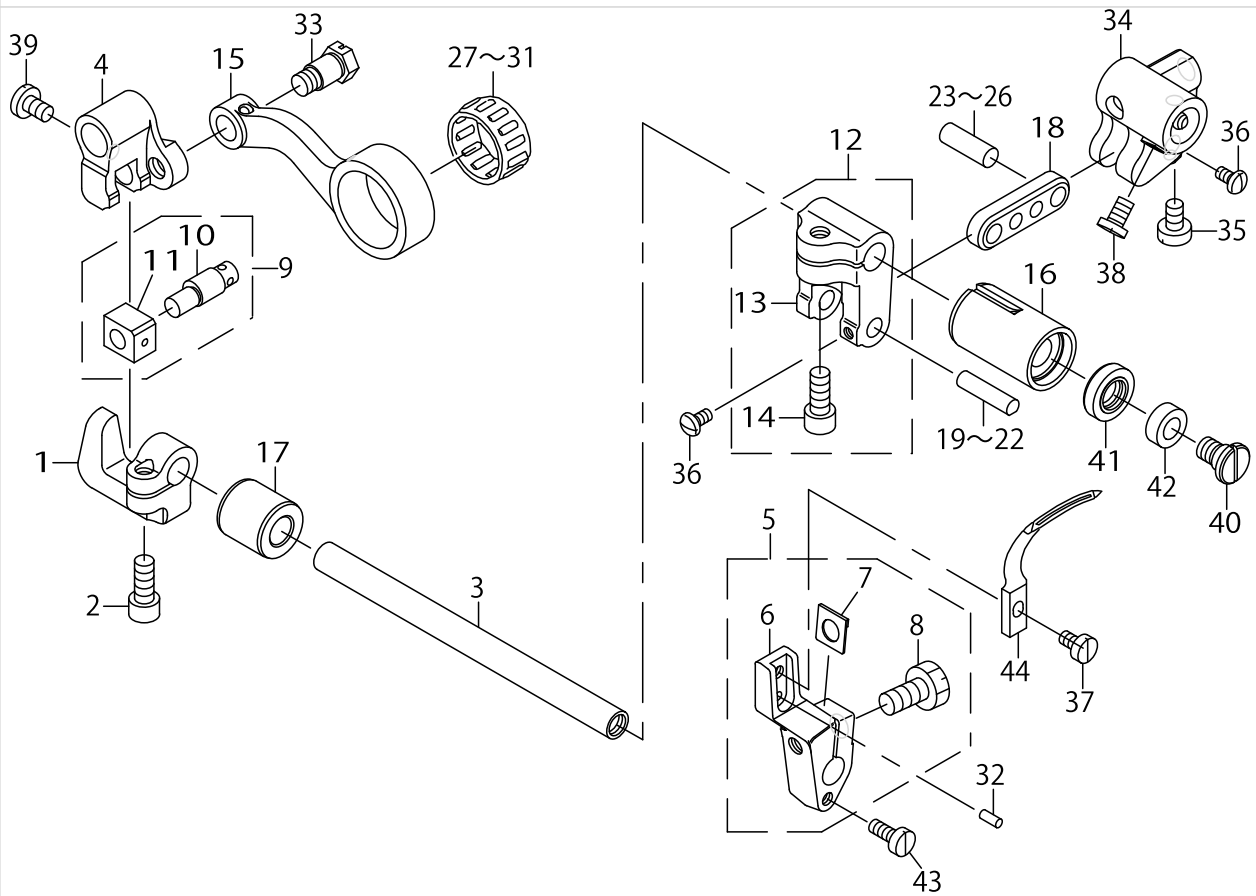
UPPER & LOWER LOOPER COMPONENTS



UPPER & LOWER LOOPER COMPONENTS

No.	Supply Code	Parts No.	Replacement	Parts name	Remarks	Choice	Step	Level	Cons	Qty	Rep. QTY
45		13131909		GUIDE SUPPORT GAUGE	FOR MO-6-904R,MO-6914R					1	
46		13131800		GAUGE FIXING PIN						1	
47		13132006		GUIDE SUPPORT GAUGE	FOR MO-6916R					1	
48		12340501		THREAD GUIDE UPPER						1	
49		SS4090615SP		SCREW 9/64-40 L=6						1	
50		12340808		THREAD GUIDE						1	
51		SS3090610SP		SCREW 9/64-40 L=6						1	
52		13222203		UPPER LOOPER GAUGE COVER	FOR MO-6-904R,MO-6916R					1	
53		13222302		UPPER LOOPER GAUGE COVER B	FOR MO-6914R					1	
54		SS7060610SP		SCREW 3/32-56 L=5.5						2	
55		40010804		OIL SEAL RING						1	
56		B2530704000		UPPER LOOPER SH-AFT RUBBER RING						1	
57		CQ200000000		OIL WICK						.04	
58		CQ202000000		OIL WICK						.04	
59		CS1031210SH		THRUST COLLAR A-SM. D=10.32 W=12	FOR MO-6-904R,MO-6914R					2	
60	R	CS1031219SH	CS1031210SH	THRUST COLLAR D=10.32 W=12				*		1	1.00
61		SS8660610TP		SCREW 1/4-40 L=6				*		2	
62		CS1031210SH		THRUST COLLAR A-SM. D=10.32 W=12	FOR MO-6916R					1	
63	R	CS1031219SH	CS1031210SH	THRUST COLLAR D=10.32 W=12				*		1	1.00
64		SS8660610TP		SCREW 1/4-40 L=6				*		2	
65		SS6090620TP		SCREW						1	
66		SS6090630TP		SCREW 9/64-40 L=6						4	
67		SS6090630TP		SCREW 9/64-40 L=6						1	
68		11888104		UPPER LOOPER	FOR MO-6-904R,MO-6916R					1	
69		12176004		UPPER LOOPER	FOR MO-6914R					1	
70		11999307		LOWER LOOPER						1	
71		11890001		TRAVELING NEEDLE GUARD						1	
72		13221403		UPPER LOOPER SHAFT A	SELECTIVE PARTS					1	
73		13221502		UPPER LOOPER SHAFT B	SELECTIVE PARTS					1	
74		13221601		UPPER LOOPER SHAFT C	SELECTIVE PARTS					1	

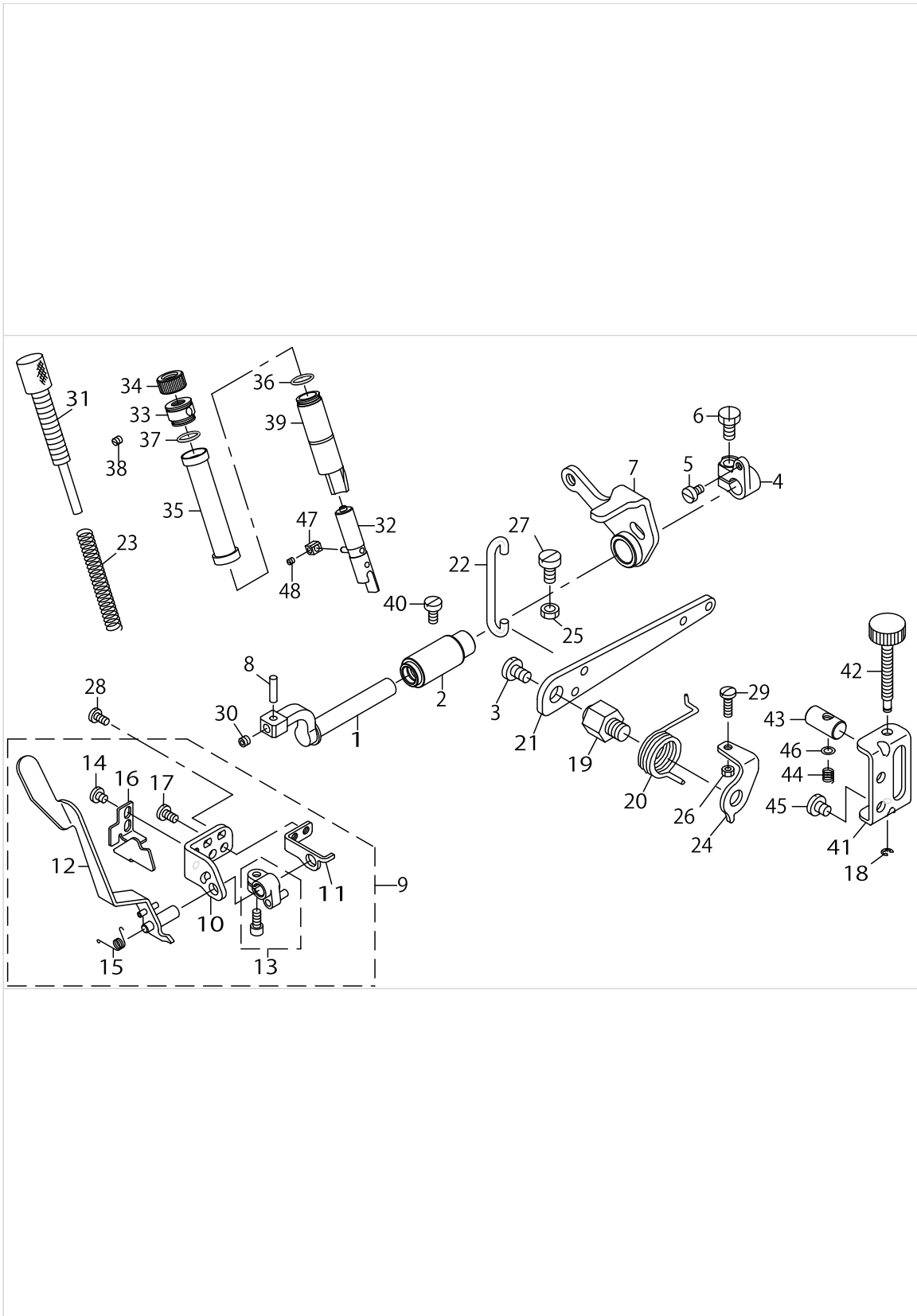
CHAIN LOOPER COMPONENTS (FOR MO-6916R)



CHAIN LOOPER COMPONENTS (FOR MO-6916R)

No.	Supply Code	Parts No.	Replacement	Parts name	Remarks	Choice	Step	Level	Cons	Qty	Rep. QTY
1	R	12342309	13129853	BRACKET						1	1.00
2		SM6051202TP		SCREW M5X0.8 L=12						1	
3		13126909		CHAIN LOOPER SHAFT						1	
4		13126008		FRONT-AND-REAR ARM						1	
5		13129952		CHAIN LOOPER DRIVING ARM ASM.						1	
6	R	13129903	13129952	CHAIN LOOPER DRIVING ARM				*		1	1.00
7		13129309		WASHER				*		1	
8		SS9151210TP		SCREW 15/64-28 L=11.8				*		1	
9	R	11829751	13126354	CHAIN LOOPER SLIDE BLOCK PIN						1	1.00
10	R	B2120816000	13126354	CHAIN LOOPER SLIDE BLOCK PIN				*		1	1.00
11	R	B2105816000	13126305	CHAIN LOOPER SLIDE BLOCK				*		1	1.00
12		13125950		CHAIN LOOPER DRIVING ARM ASM.						1	
13		13125901		CHAIN LOOPER DRIVING ARM				*		1	
14		SM6051202TP		SCREW M5X0.8 L=12				*		1	
15		13220009		CHAIN LOOPER ROD						1	
16		13128103		BUSHING FORNT						1	
17		13127006		BUSHING REAR						1	
18	R	12342200	13127105	CHAIN LOOPER SHAFT DRIV LINK						1	1.00
19		13126503		PIN LONG A	SELECTIVE PARTS					1	
20		13126602		PIN LONG B	SELECTIVE PARTS					1	
21		13126701		PIN LONG C	SELECTIVE PARTS					1	
22		13126800		PIN LONG D	SELECTIVE PARTS					1	
23		13127204		PIN SHORT A	SELECTIVE PARTS					1	
24		13127303		PIN SHORT B	SELECTIVE PARTS					1	
25		13127402		PIN SHORT C	SELECTIVE PARTS					1	
26		13127501		PIN SHORT D	SELECTIVE PARTS					1	
27		B2119816A00		BEARING A	SELECTIVE PARTS					1	
28		B2119816B00		BEARING B	SELECTIVE PARTS					1	
29		B2119816C00		BEARING C	SELECTIVE PARTS					1	
30		B2119816D00		BEARING D	SELECTIVE PARTS					1	
31	D	B2119816E00		BEARING E	SELECTIVE PARTS					1	
32		PS0250062KH		SPRING PIN 2.5X6						1	
33		SD0720803TH		STEP-SCREW D=7.24 H=8						1	
34	R	12121612	12121653	DRIVING BALL ARM BRACKET						1	1.00
35		SS6110710TP		SCREW 11/64-40 L=6.5						1	
36		SS4080620TP		SCREW 1/8-44 L=6						2	
37		SS6090620TP		SCREW						1	
38		SS6110710TP		SCREW 11/64-40 L=6.5						2	
39		SS7110720TP		SCREW 11/64-40 L=7						1	
40		SD0720332SP		HINGE SCREW D=7.24 H=3.3						1	
41		40010805		OIL SEAL RING						1	
42		13130109		ADJUSTING WASHER						1	
43		SS6090920SP		SCREW						1	
44		12120705		CHAIN LOOPER						1	

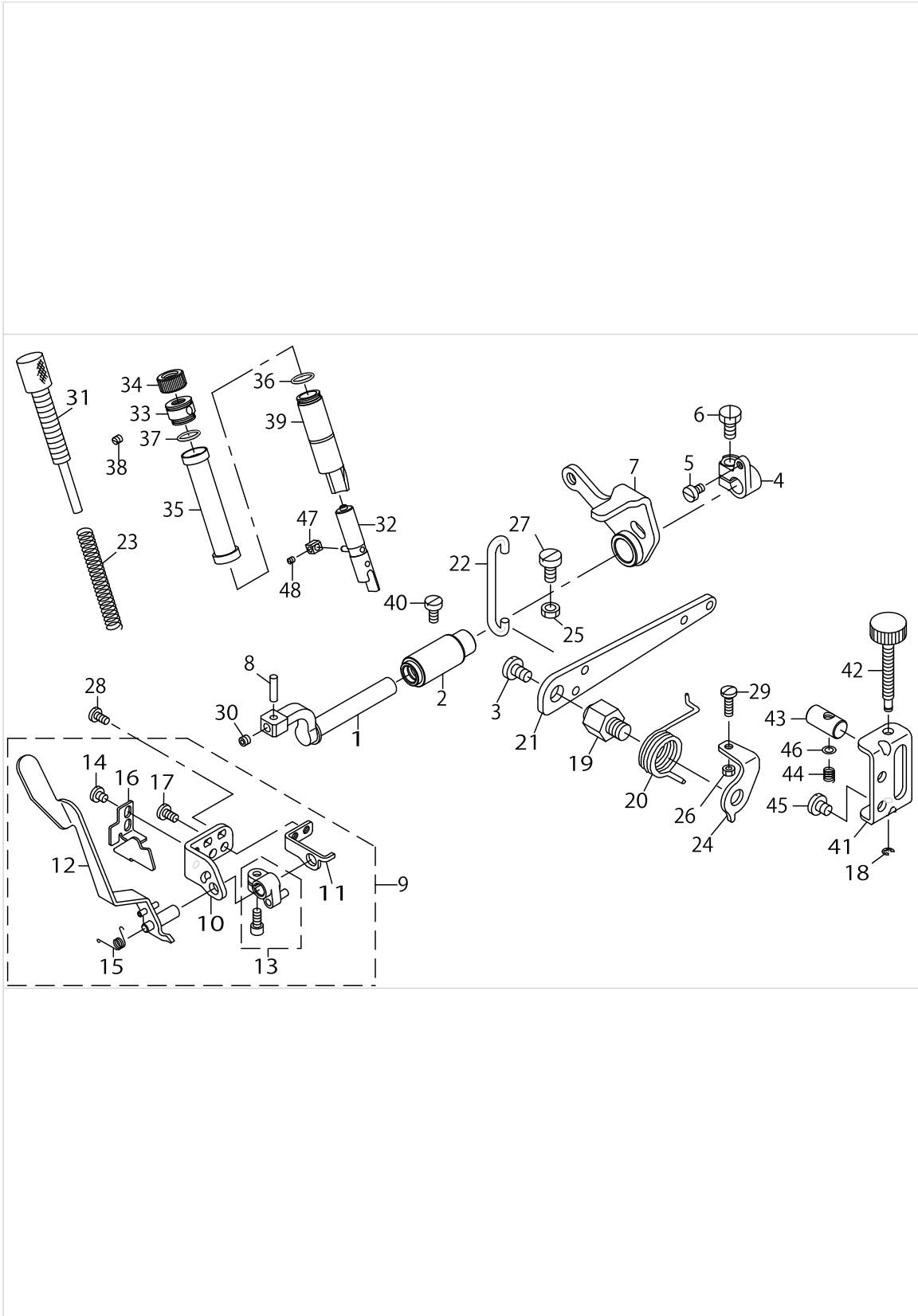
PRESSER FOOT COMPONENTS (1)



PRESSER FOOT COMPONENTS (1)

No.	Supply Code	Parts No.	Replacement	Parts name	Remarks	Choice	Step	Level	Cons	Qty	Rep. QTY
1	R	12113205	13115001	PRESSER FOOT SHAFT						1	1.00
2		13273701		PRESSER FOOT SHAFT BUSHING						1	
3		SS7161040SP		SCREW 1/4-24 L=9.5						1	
4		12113817		PRESSER FOOT SH-AFT THRUST ARM						1	
5		SS6110710TP		SCREW 11/64-40 L=6.5						1	
6		SS9151210TP		SCREW 15/64-28 L=11.8						1	
7		31204258		PRESSER LIFTING ARM ASM.						1	
8		13115407		PRESSER FOOT AR-M HINGE SHAFT						1	
9		13274253		FOOT LIFTING LEV-ER STAND ASM.						1	
10		12306106		FOOT LIFTING LEVER STAND A				*		1	
11		13274204		FOOT LIFTING LEVER STAND B				*		1	
12		12306353		FOOT LIFTING LEVER JUNCTION				*		1	
13		12306551		UPPER FEED DOG LIFTER A ASM.				*		1	
14		SS7110510SP		SCREW 11/64-40 L=5				*		2	
15		12306601		SPRING				*		1	
16		12306700		PRESSER ARM STOPPER				*		1	
17		SS7110840SP		SCREW 11/64-40 L=7.8				*		2	
18		RE0300000K0		E-RING 3						1	
19		13117007		PRESSER LIFTING LEVER SCREW						1	
20		13116306		PRESSER LIFTING LEVER SPRING						1	
21		13116900		PRESSER LIFTING LEVER						1	
22		12306809		LIFTING HOOK						1	
23		13116207		PRESSER FOOT SPRING						1	
24		13116603		PRESSER LIFTING LEVER SPRING						1	
25		NM6060003SC		NUT M6						1	
26		NS6110420SP		NUT 11/64-40						1	
27		SM6061200SP		SCREW M6 L=12						1	
28		SS7110840SP		SCREW 11/64-40 L=7.8						2	
29		SS7111410TP		SCREW 11/64-40 L=14						1	
30		SM8050412TP		SCREW M5 L=4						1	
31		40034897		PRESSER ADJUSTING SCREW						1	
32		40011753		PRESSER BAR ASM.						1	
33		12288700		PRESSER REGULAT-OR SCREW WASHER						1	
34		13117106		PRESSER REGULATOR NUT						1	
35		13212709		PRESSER BAR COVER						1	
36		13170402		RUBBER RING						2	
37		13170402		RUBBER RING						1	
38		SM8040402TP		SCREW M4X0.7 L=4						1	
39		13213301		PRESSER BAR BUSHING						1	
40		SS6121020SP		SCREW 3/16-28 L=9.5						1	
41		13212808		ADJUSTING BASE						1	
42		13213012		ADJUSTING SCREW						1	
43		13212915		ADJUSTING BLOCK						1	
44		13123302		ADJUSTING SPRING						1	
45		SS7150740SP		SCREW 15/64-28 L=7						2	

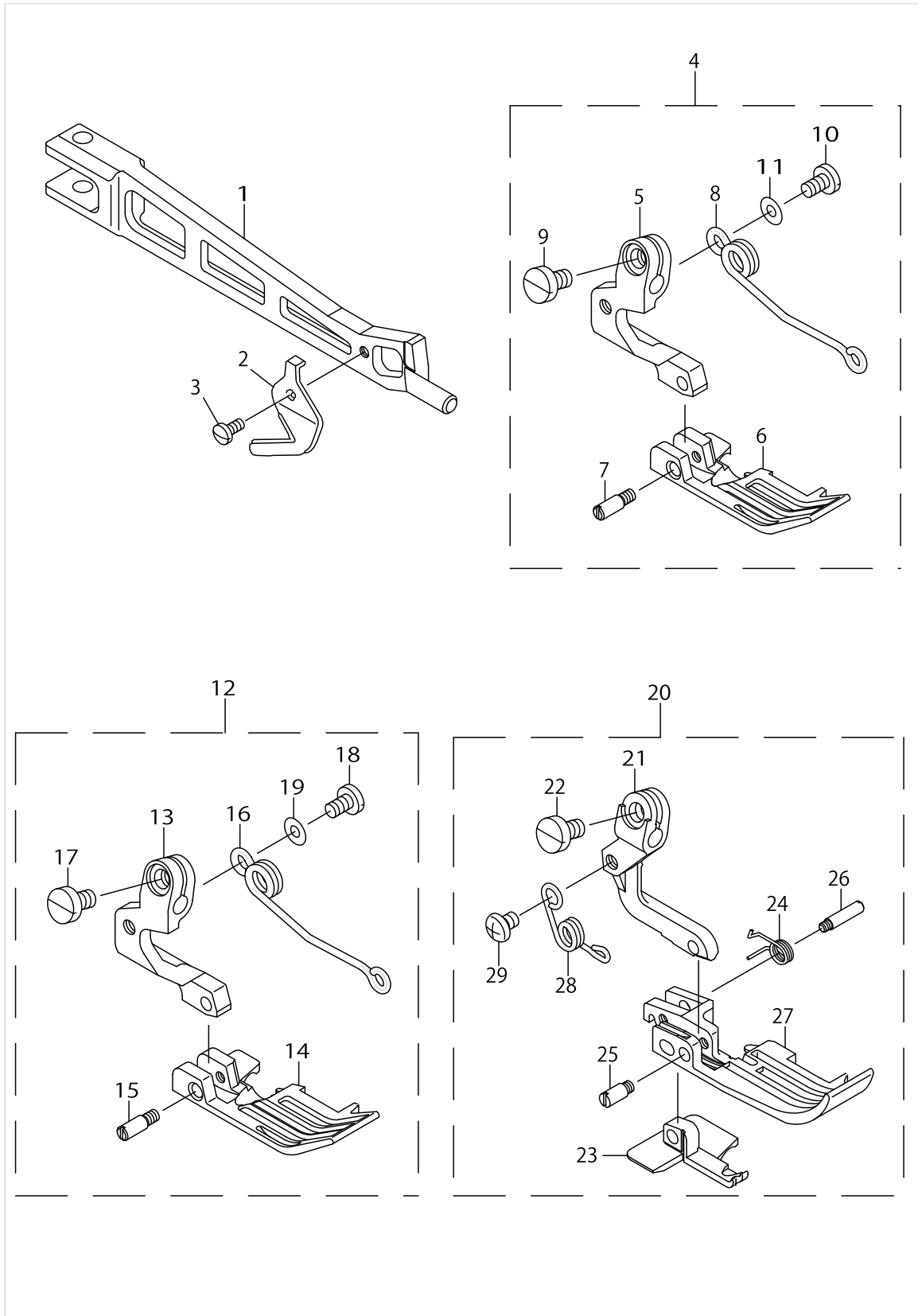
PRESSER FOOT COMPONENTS (1)



PRESSER FOOT COMPONENTS (1)

No.	Supply Code	Parts No.	Replacement	Parts name	Remarks	Choice	Step	Level	Cons	Qty	Rep. QTY
46		WP0460556SD		WASHER 4.6X7.5X0.5						1	
47		70004672		SLIDE BLOCK						1	
48		SS8080310TP		SCREW 1/8-44 L=2.8						1	

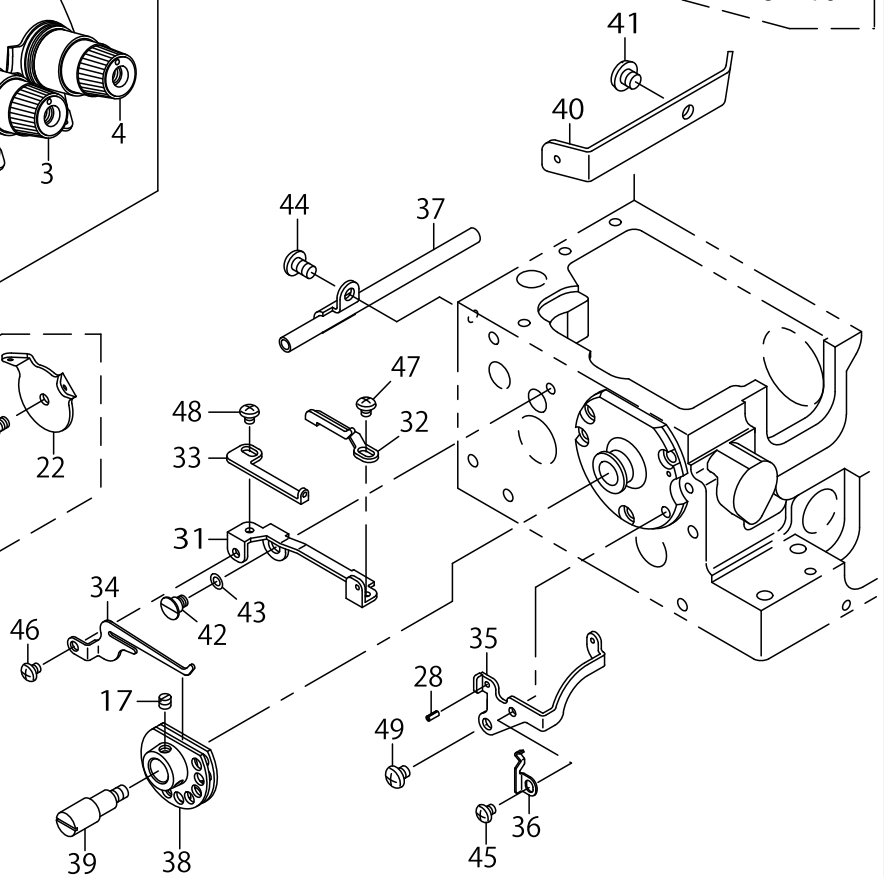
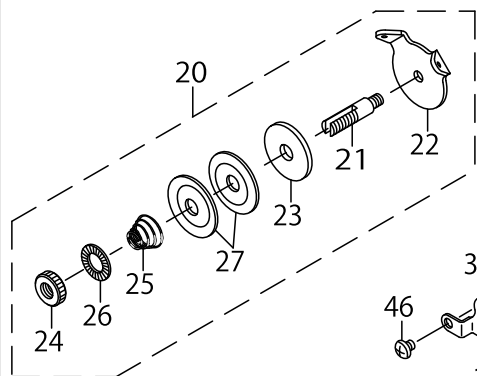
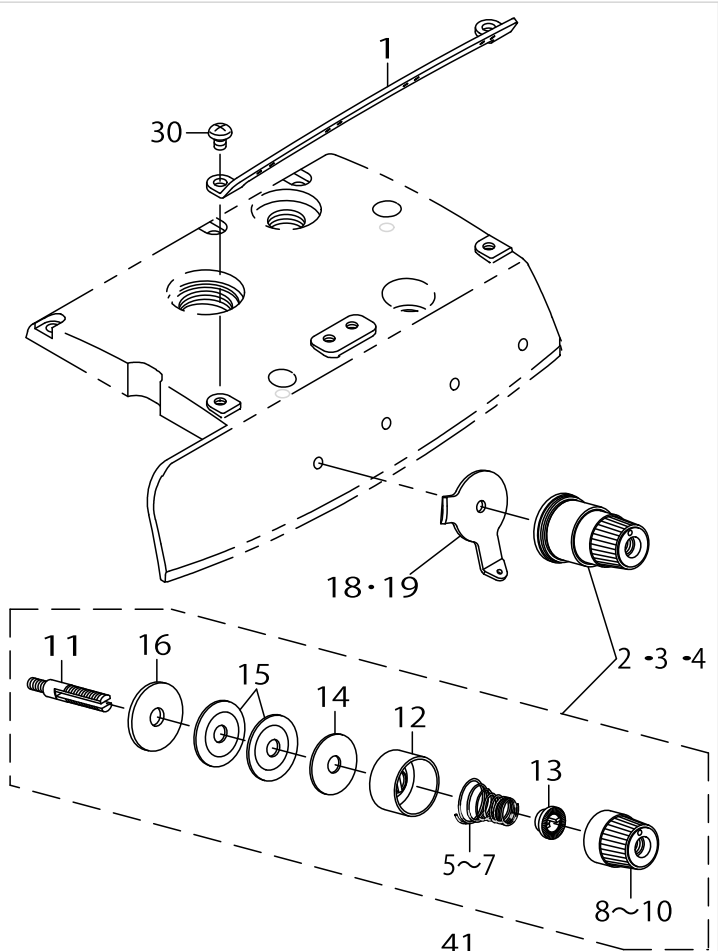
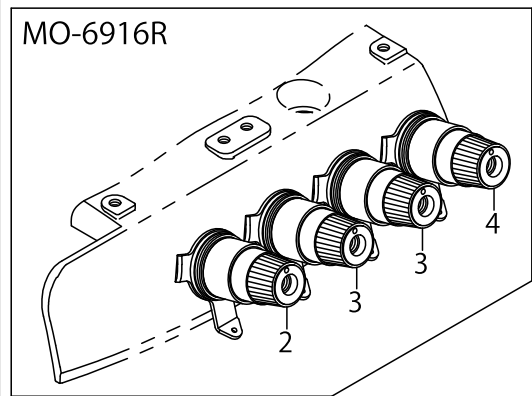
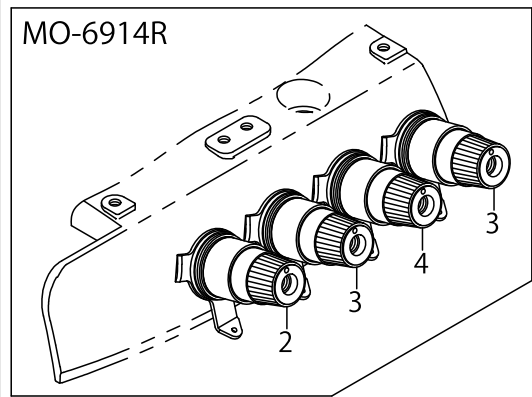
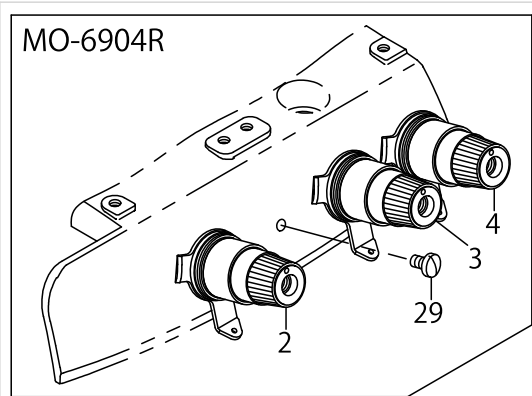
PRESSER FOOT COMPONENTS (2)



PRESSER FOOT COMPONENTS (2)

No.	Supply Code	Parts No.	Replacement	Parts name	Remarks	Choice	Step	Level	Cons	Qty	Rep. QTY
1		12305611		PRESSER FOOT ARM						1	
2		13116702		THREAD TRIMMER						1	
3		SS7060510SP		SCREW 3/32-56 L=4.8						1	
4		13278759		PRESSER FOOT ASM.	FOR MO-6904R					1	
5		13278908		PRESSER FOOT HINGE				*		1	
6		13278700		PRESSER FOOT				*		1	
7		11930500		PRESSER FOOT HINGE PIN				*		1	
8		11930906		PRESSER FOOT SPRING				*		1	
9		SS6090670TP		SCREW 9/64-40 L=6				*		1	
10		SS7080520SP		SCREW 1/8-44 L=4.9				*		1	
11		WP0371026SD		WASHER 3.7X7X1				*		1	
12		13278858		PRESSER FOOT ASM.	FOR MO-6914R					1	
13		13278908		PRESSER FOOT HINGE				*		1	
14		13278809		PRESSER FOOT				*		1	
15		11930500		PRESSER FOOT HINGE PIN				*		1	
16		11930906		PRESSER FOOT SPRING				*		1	
17		SS6090670TP		SCREW 9/64-40 L=6				*		1	
18		SS7080520SP		SCREW 1/8-44 L=4.9				*		1	
19		WP0371026SD		WASHER 3.7X7X1				*		1	
20		12320057		PRESSER FOOT ASM.	FOR MO-6916R					1	
21	R	12320206	12320057	PRESSER FOOT HINGE				*		1	1.00
22		SS6090670TP		SCREW 9/64-40 L=6				*		1	
23	R	12320107	12320057	REAR PRESSER				*		1	1.00
24		11931706		SPRING				*		1	
25		11930708		PRESSER FOOT HINGE PIN				*		1	
26		11930807		HINGE PIN				*		1	
27	R	12320008	12320057	PRESSER				*		1	1.00
28		12320305		PRESSER FOOT ARM SPRING				*		1	
29		SS4080415SP		SCREW 1/8-44 L=4				*		1	

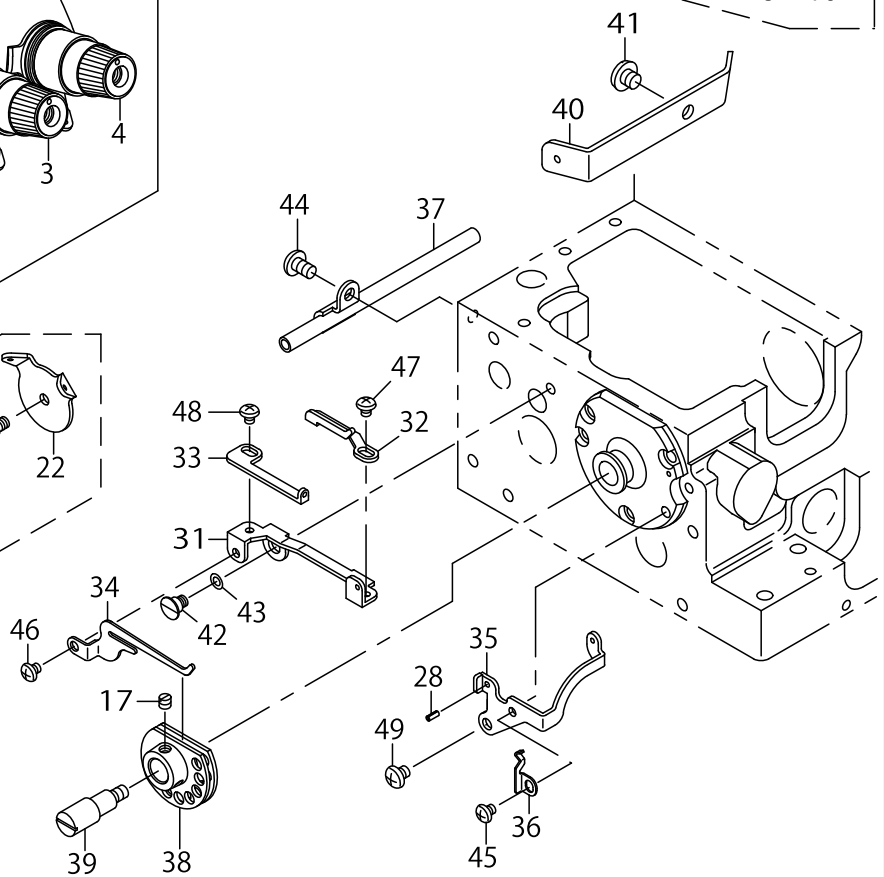
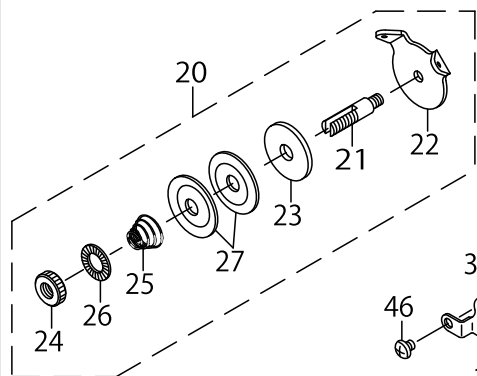
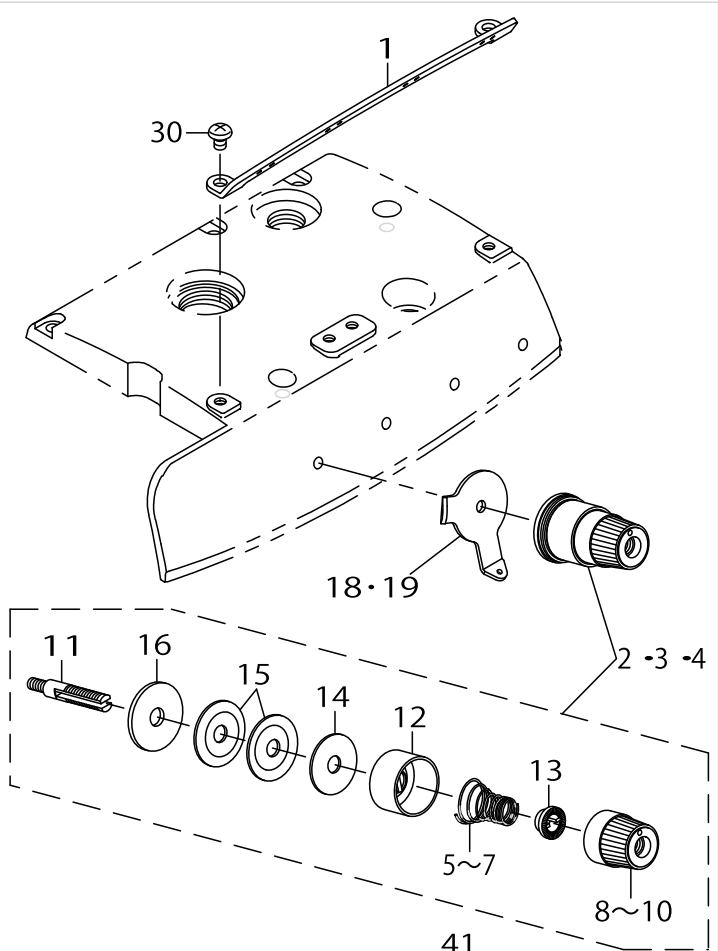
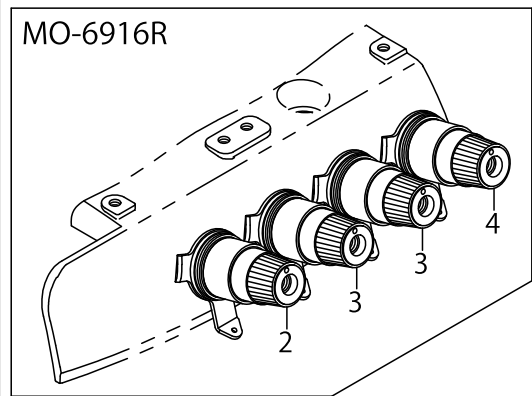
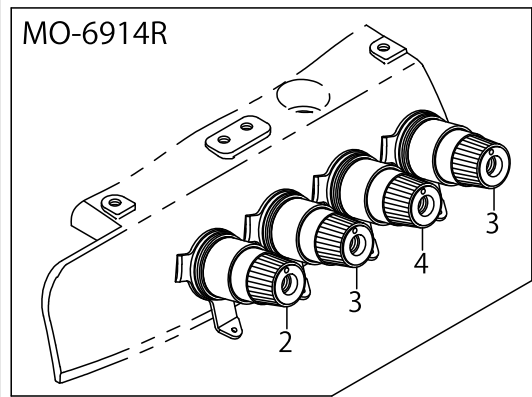
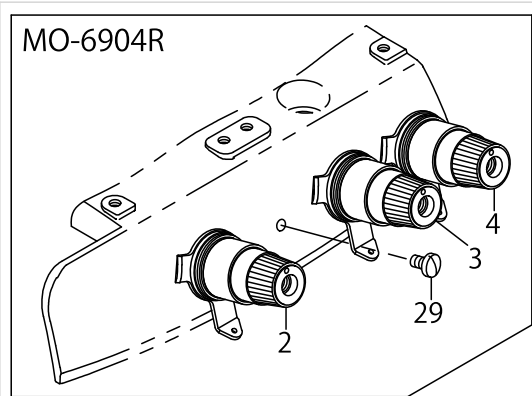
THREAD TENSION COMPONENTS



THREAD TENSION COMPONENTS

No.	Supply Code	Parts No.	Replacement	Parts name	Remarks	Choice	Step	Level	Cons	Qty	Rep. QTY
1		13225008		CENTER THREAD GUIDE						1	
2		13137559		THREAD TENSION SPRING COMPL.						1	
3		13138359		THREAD TENSION SPRING COMPL.	FOR MO-6-904R(1 PC. IS USED.) FOR MO-6-914R,MO-6-916R (2 PC. ARE USED.)					1	
4		13138656		THREAD TENSION SPRING COMPL.						1	
5		13137807		THREAD TENSION SPRING RED				*		1	
6		13138508		THREAD TENSION SPRING YELLOW				*		1	
7		13138805		THREAD TENSION SPRING BLUE				*		1	
8		13137708		THREAD TENSION KNOB RED				*		1	
9		13138409		THREAD TENSION KNOB YELLOW				*		1	
10		13138706		THREAD TENSION KNOB BLUE				*		1	
11	R	13138904	13137559	THREAD TENSION BAR		A	A:	*		1	1.00
11	R	13138904	13138359	THREAD TENSION BAR		B	B:	*		1	1.00
11	R	13138904	13138656	THREAD TENSION BAR		C	C:	*		1	1.00
12		13137609		THREAD TENSION DISK PRESSER				*		1	
13		13137906		SPRING BUSHING				*		1	
14		13138102		THREAD TENSION SPRING FELT				*		1	
15		13138201		THREAD TENSION DISK				*		2	
16		13138003		THREAD TENSION RUBBER WASHER				*		1	
17		SS8110410TP		SCREW 11/64-40 L=3.5	FOR MO-6916R					2	
18		13225107		TESION DISK THREAD GUIDE	FOR MO-6904R					3	
19		13225107		TESION DISK THREAD GUIDE	FOR MO-6-914R,MO-6916R					4	
20		13139555		THREAD TENSION POST CONPL.	FOR MO-6916R					1	
21	R	13140009	13139555	THREAD TENSION POST				*		1	1.00
22		13139605		TESION DISK THREAD GUIDE				*		1	
23		13139902		THREAD TENSION SPRING FELT				*		1	
24		13139803		THREAD TENSION NUT				*		1	
25		13139704		THREAD TENSION SPRING				*		1	
26		22921407		ROTATION STOPPER				*		1	
27		13138201		THREAD TENSION DISK				*		2	
28		PS0200052KH		SPRING PIN 2.3X5	FOR MO-6916R					1	
29		SS7110710SL		SCREW 11/64-40 L=7.0	FOR MO-6904R					1	
30		SS4110615SP		SCREW 11/64-40 L=6						2	
31	R	12283602	13128202	THREAD GUIDE BASE	FOR MO-6916R					1	1.00
32	R	12283701	13128301	THREAD GUIDE A	FOR MO-6916R					1	1.00
33	R	12283800	13128400	THREAD GUIDE B	FOR MO-6916R					1	1.00
34		13128509		LOWER THREAD CAM HOOK	FOR MO-6916R					1	
35		13128608		LOWER THREAD GUIDE	FOR MO-6916R					1	
36		13128707		THREAD GUIDE BASE SPRING	FOR MO-6916R					1	
37		13129259		LOWER THREAD C-ONDUIT BASE ASM.	FOR MO-6916R					1	
38	R	12347555	13129457	LOWER THREAD CAM COMPL.	FOR MO-6916R					1	1.00
39	R	B2202816000	13130000	SHAFT	FOR MO-6916R					1	1.00

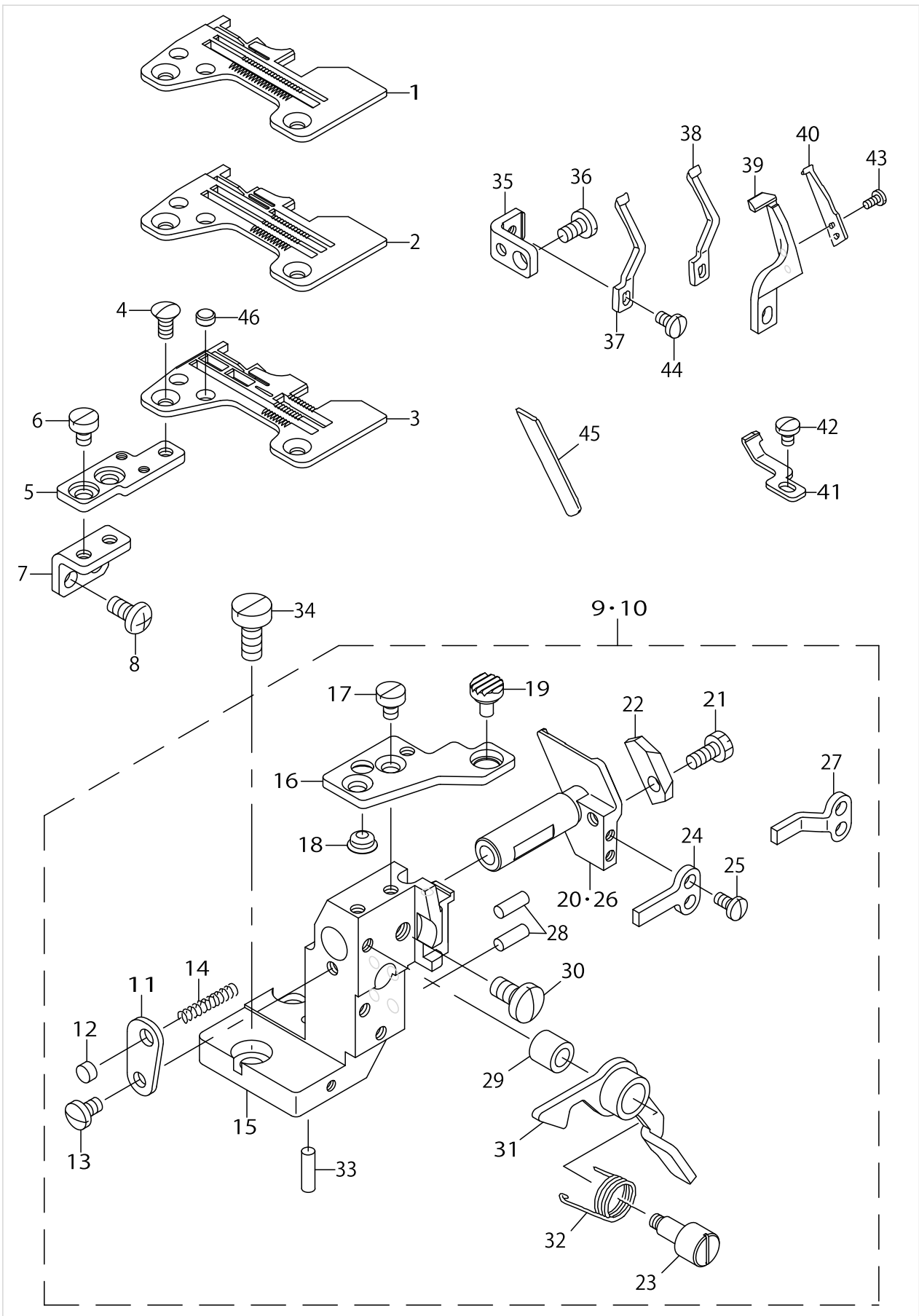
THREAD TENSION COMPONENTS



THREAD TENSION COMPONENTS

No.	Supply Code	Parts No.	Replacement	Parts name	Remarks	Choice	Step	Level	Cons	Qty	Rep. QTY
40	R	B2402716000	13129101	LOOPER THREAD G- UIDE TUBE GUIDE	FOR MO-6916R					1	1.00
41		SS5150510SP		SCREW 15/64-28 L=5	FOR MO-6916R					1	
42		SD0600341TP		HINGE SCREW D=6.0 H=3.4	FOR MO-6916R					1	
43		WZ0640312K0		WAVED WASHER	FOR MO-6916R					1	
44		SM4050855SP		SCREW M5 L=8	FOR MO-6916R					1	
45		SS4090415SP		SCREW 9/64-40 L=4	FOR MO-6916R					1	
46		SS4090415SP		SCREW 9/64-40 L=4	FOR MO-6916R					1	
47		SS4090415SP		SCREW 9/64-40 L=4	FOR MO-6916R					1	
48		SS4090415SP		SCREW 9/64-40 L=4	FOR MO-6916R					1	
49		SS4110515SP		SCREW 11/64-40 L=5	FOR MO-6916R					1	

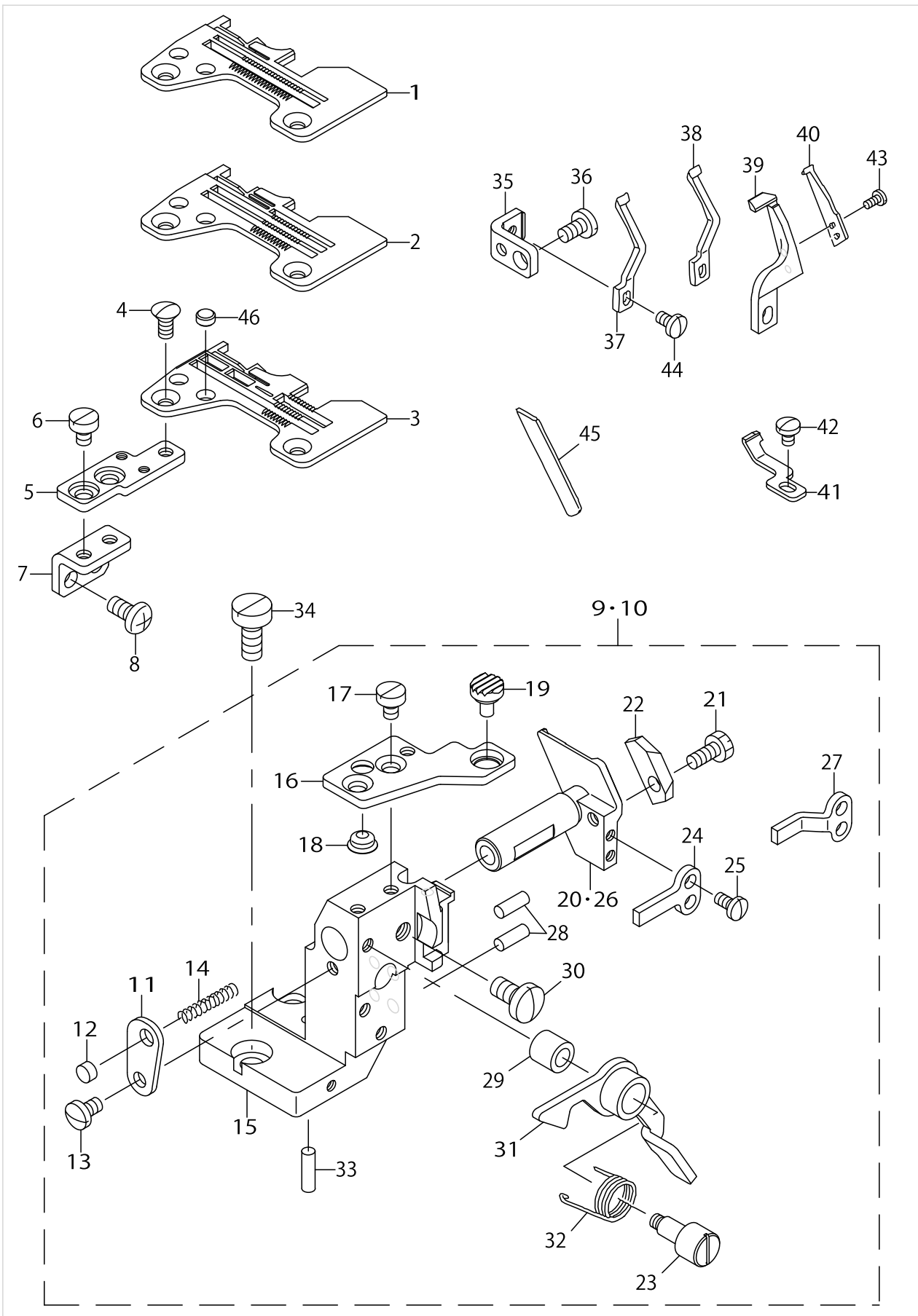
LOWER KNIFE COMPONENTS



LOWER KNIFE COMPONENTS

No.	Supply Code	Parts No.	Replacement	Parts name	Remarks	Choice	Step	Level	Cons	Qty	Rep. QTY
1		R4200J6ED00		THROAT PLATE	FOR MO-6904R					1	
2		R4305J6EE00		THROAT PLATE	FOR MO-6914R					1	
3		R4508J6ED00		THROAT PLATE	FOR MO-6916R					1	
4		SS2110910SL		SCREW 11/64-40 L=9						2	
5		13151204		THROAT PLATE BASE B						1	
6		SS6110610TP		SCREW 11/64-40 L=6						2	
7		12288908		THROAT PLATE BASE B SUPPORT						1	
8		SM4051055SP		SCREW						2	
9		13232657		LOWER KNIFE BRACKET ASM.	FOR MO-6-904R,MO-6914R					1	
10		13232756		LOWER KNIFE BRACKET ASM.	FOR MO-6916R					1	
11	R	12133211	13149307	SPRING STOPPER				*		1	1.00
12	R	11806304	13102702	PLUG				*		1	1.00
13		SS7110720SP		SCREW 11/64-40 L=7				*		1	
14		11846607		SPRING				*		1	
15	R	12132619	13232657	LOWER KNIFE BRACKET				*		1	1.00
16		12102208		THROAT PLATE BASE A				*		1	
17		SS6110610TP		SCREW 11/64-40 L=6				*		2	
18		12103701		RUBBER PLUG B				*		1	
19		13235304		RUBBER PLUG A				*		1	
20	R	12132700	13149505	LOWER KNIFE SLIDE STUD	FOR MO-6-904R,MO-6914R			*		1	1.00
21		SS9111010SP		SCREW 11/64-40 L=9.5				*		1	
22	R	12133104	13149208	LOWER KNIFE PRESSER PLATE				*		1	1.00
23	R	12102810	13148408	LEVER SHAFT				*		1	1.00
24	R	12132908	13149703	ROTATING STOPPER	FOR MO-6-904R,MO-6914R			*		1	1.00
25		SS7090710SP		SCREW 9/64-40 L=6.8				*		2	
26	R	12132809	13149604	LOWER KNIFE SLIDE STUD	FOR MO-6916R			*		1	1.00
27		12133005		ROTATING STOPPER	FOR MO-6916R			*		1	
28	R	12133708	12133666	HOLDER PIN		B		*		2	1.00
28	R	12133708	12377586	HOLDER PIN		D		*		2	1.00
28	R	12133708	12377560	HOLDER PIN		F		*		2	1.00
28	R	12133708	12377552	HOLDER PIN		G		*		2	1.00
28	R	12133708	13232657	HOLDER PIN		H		*		2	1.00
28	R	12133708	13232756	HOLDER PIN		I		*		2	1.00
28	R	12133708	13232657	HOLDER PIN				*		2	1.00
28	R	12133708	12257267	HOLDER PIN				*		2	1.00
29	R	12103107	13148903	RUBBER PLUG				*		1	1.00
30		SS7151120SP		SCREW 15/64-28L=11				*		1	
31	R	12102950	13148556	LEVER ASM.				*		1	1.00
32		11802006		LEVER SPRING				*		1	
33		11846805		HOLDER PIN				*		1	
34		SS6151440SP		SCREW 15/64-28L=14				*		2	
35		13151105		NEEDLE HOLDER SUPPORT				*		1	

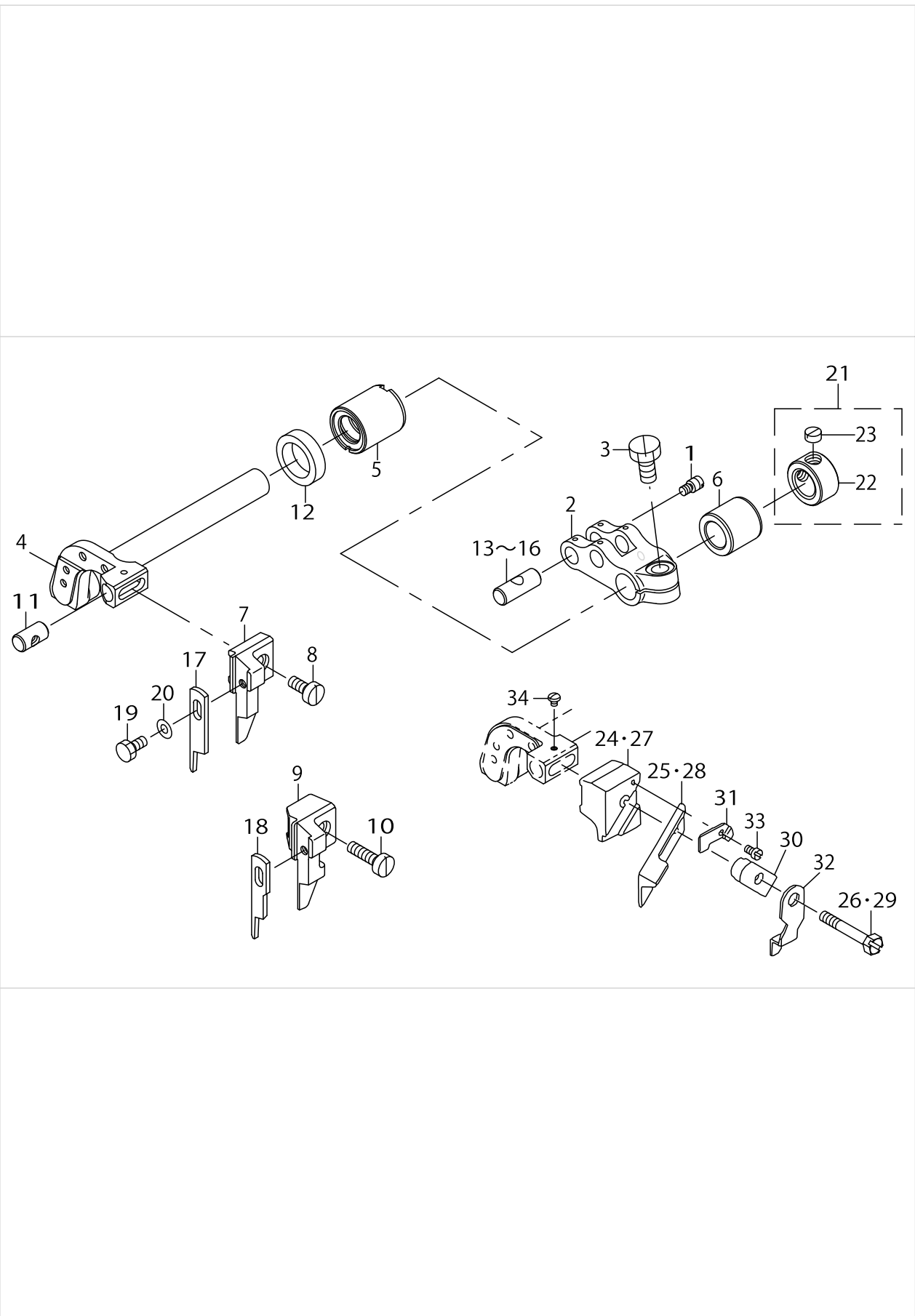
LOWER KNIFE COMPONENTS



LOWER KNIFE COMPONENTS

No.	Supply Code	Parts No.	Replacement	Parts name	Remarks	Choice	Step	Level	Cons	Qty	Rep. QTY
36		SS7110840SP		SCREW 11/64-40 L=7.8						1	
37		11890100		NEEDLE GUARD	FOR MO-6904R					1	
38		11890308		NEEDLE GUARD	FOR MO-6914R					1	
39		12015301		NEEDLE HOLDER	FOR MO-6916R					1	
40		12015400		NEEDLE HOLDER	FOR MO-6916R					1	
41		12177903		NEEDLE HOLDER	FOR MO-6916R					1	
42		SS7090510SP		SCREW 9/64-40 L=4.6	FOR MO-6916R					1	
43		SS7060510SP		SCREW 3/32-56 L=4.8	FOR MO-6916R					2	
44		SS7090610SP		SCREW 9/64-40 L=6						1	
45		13150701		LOWER KNIFE						1	
46		13102702		THROAT PLATE COVER						2	

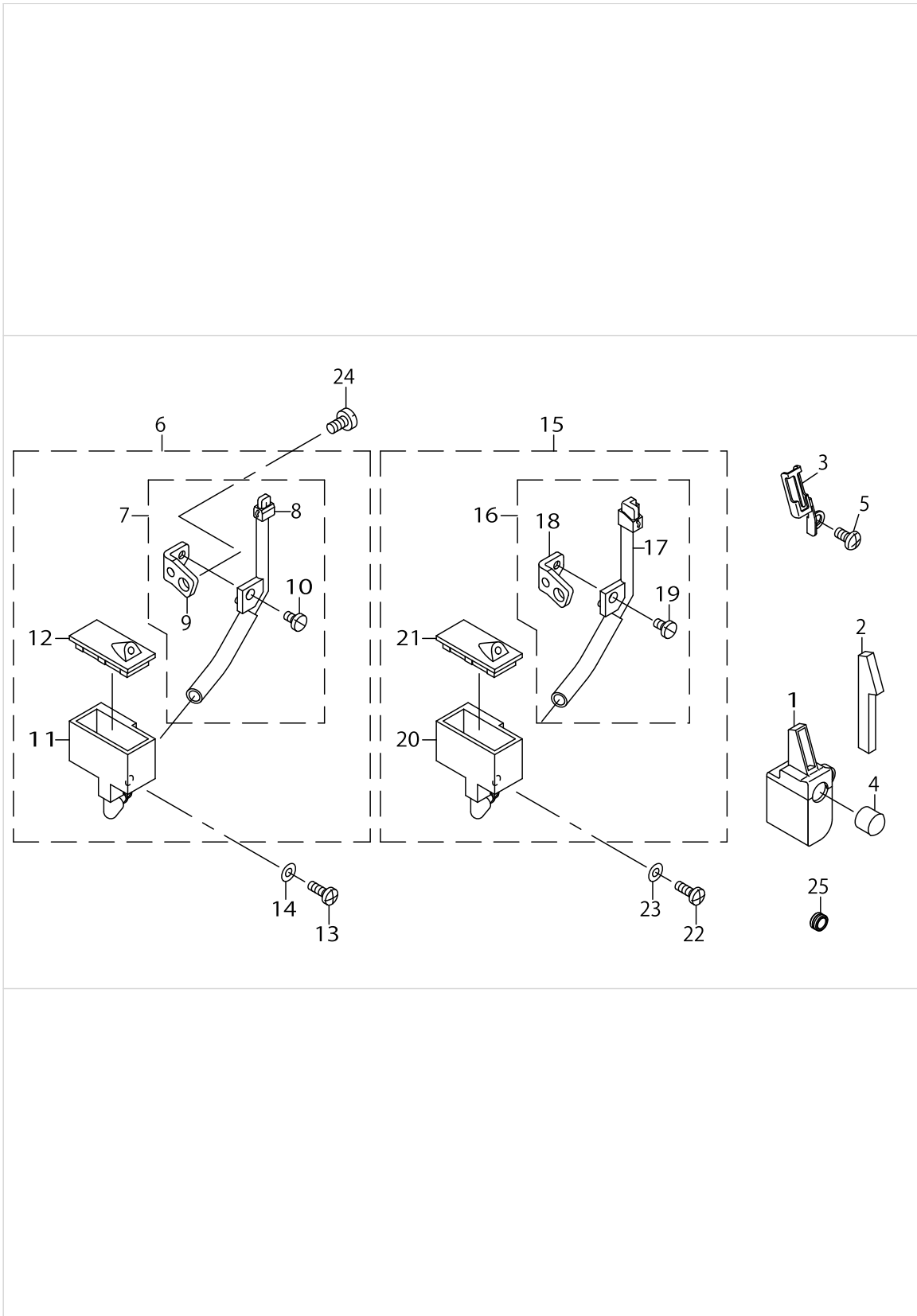
UPPER KNIFE COMPONENTS



UPPER KNIFE COMPONENTS

No.	Supply Code	Parts No.	Replacement	Parts name	Remarks	Choice	Step	Level	Cons	Qty	Rep. QTY
1	R	B2024771000	40009196	SUSPENSION SCREW						1	1.00
2	R	12318002	31215957	UPPER KNIFE DRIVING ARM						1	1.00
3		SM9061250TP		SCREW M6 L=12						1	
4		31216005		KNIFE ARM SHAFT						1	
5		13277405		BUSHING FRONT						1	
6		13151006		BUSHING REAR						1	
7		13147400		PLAIN KNIFE SUPPORT A	FOR MO-6-904R,MO-6-914R (EXCEPT JE)					1	
8		SS6111040SP		SCREW 11/64-40 L=9.5	FOR MO-6-904R,MO-6-914R (EXCEPT JE)					1	
9		13147301		PLAIN KNIFE SUPPORT	FOR MO-6-916R(EXCEPT JE)					1	
10		SS6111610SP		SCREW11/64-40L=16	FOR MO-6-916R(EXCEPT JE)					1	
11		13150800		UPPER KNIFE GUIDE SHAFT						1	
12		11566809		OIL SEAL						1	
13		13122007		CRANK PIN A	SELECTIVE PARTS					1	
14		13122106		CRANK PIN B	SELECTIVE PARTS					1	
15		13122205		CRANK PIN C	SELECTIVE PARTS					1	
16		13122304		CRANK PIN D	SELECTIVE PARTS					1	
17		13150503		PLAIN KNIFE	FOR MO-6-904R,MO-6-914R (EXCEPT JE)					1	
18		13150602		PLAIN KNIFE	FOR MO-6-916R(EXCEPT JE)					1	
19		SS9090823TP		BOLT 9/64-40 L=8	EXCEPT JE					1	
20		WP0370316SD		WASHER 3.7X8X0.3	EXCEPT JE					1	
21		CS111101HSH		THRUST COLLAR ASM.						1	
22		CS1111019SH		THRUST COLLAR D=11.11 W=10				*		1	
23		SS8660330SP		SCREW 1/4-40 L=3.0				*		1	
24		11598000		UPPER KNIFE SUPPORT	FOR MO-6-904R,MO-6-914R(FOR JE)					1	
25		11845807		UPPER KNIFE	FOR MO-6-904R,MO-6-914R(FOR JE)					1	
26		SS9111610SP		SCREW11/64-40L=16	FOR MO-6-904R,MO-6-914R(FOR JE)					1	
27		11845500		UPPER KNIFE SUPPORT	FOR MO-6-916R(FOR JE)					1	
28		11845906		UPPER KNIFE	FOR MO-6-916R(FOR JE)					1	
29		SS9112310SP		SCREW11/64-40L=23	FOR MO-6-916R(FOR JE)					1	
30		11565504		UPPER KNIFE PRESSER PLATE	FOR JE					1	
31		11565702		WASHER	FOR JE					1	
32		11565603		UPPER KNIFE COVER	FOR JE					1	
33		SS4060310SP		SCREW 3/32-56 L=2.5	FOR JE					1	
34		SS4060310SP		SCREW 3/32-56 L=2.5	FOR JE					1	

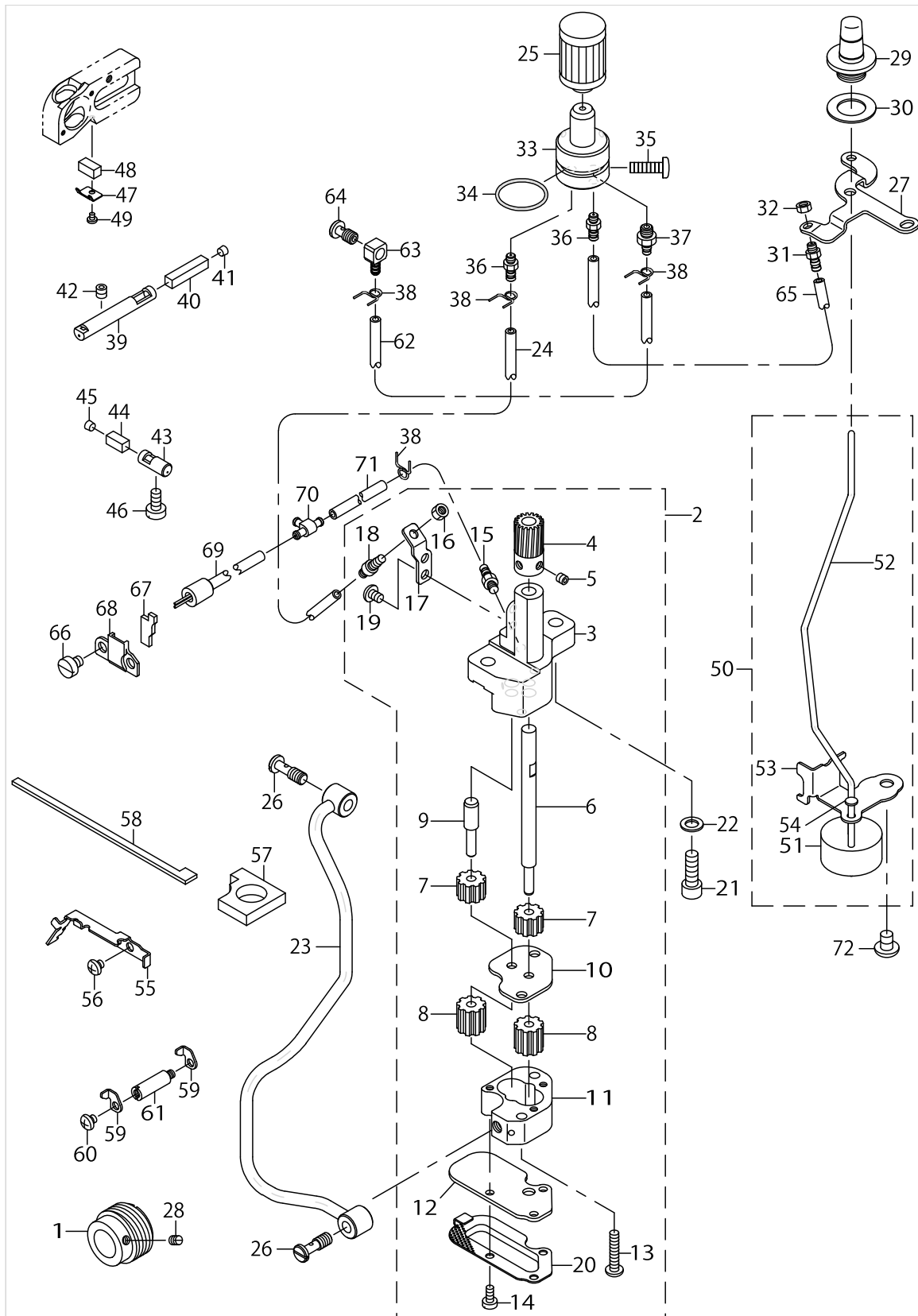
NEEDLE COOLING MECHANISM COMPONENTS



NEEDLE COOLING MECHANISM COMPONENTS

No.	Supply Code	Parts No.	Replacement	Parts name	Remarks	Choice	Step	Level	Cons	Qty	Rep. QTY
1		13163456		SILICON TANK ASM.						1	
2		13163803		NEEDLE THREAD FELT						1	
3		13163902		NEEDLE THREAD FELT PRESSER						1	
4		TA0950806R0		RUBBER PLUG						1	
5		SM4040855SP		SCREW						1	
6		13162557		NEEDLE COOLER U-NIT ASM. (OVER)	FOR MO-6-904R,MO-6914R					1	
7	R	13162565	13162581	NEEDLE COOLER UNIT COMPL.				*		1	1.00
8	R	13162573	13162581	NEEDLE COOLER U-NIT ASM. (OVER)				*		1	1.00
9		13162805		NEEDLE COOLER SUPPORT				*		1	
10		SS7090610SP		SCREW 9/64-40 L=6				*		1	
11		13162904		TANK				*		1	
12		13163001		TANK COVER				*		1	
13		SS4091015SP		SCREW 9/64-40 L=10						1	
14		WP0371026SD		WASHER 3.7X7X1						1	
15		13163159		NEEDLE COOLER U-NIT ASM.(INTER)	FOR MO-6916R					1	
16	R	13163167	13163183	NEEDLE COOLER COMPL.(INTER)				*		1	1.00
17	R	13163175	13163183	NEEDLE COOLER ASM.(INTER)				*		1	1.00
18		13162805		NEEDLE COOLER SUPPORT				*		1	
19		SS7090610SP		SCREW 9/64-40 L=6				*		1	
20		13162904		TANK				*		1	
21		13163001		TANK COVER				*		1	
22		SS4091015SP		SCREW 9/64-40 L=10						1	
23		WP0371026SD		WASHER 3.7X7X1						1	
24		SS7110840SP		SCREW 11/64-40 L=7.8						1	
25	R	13163704	13163456	BUSHING						1	1.00

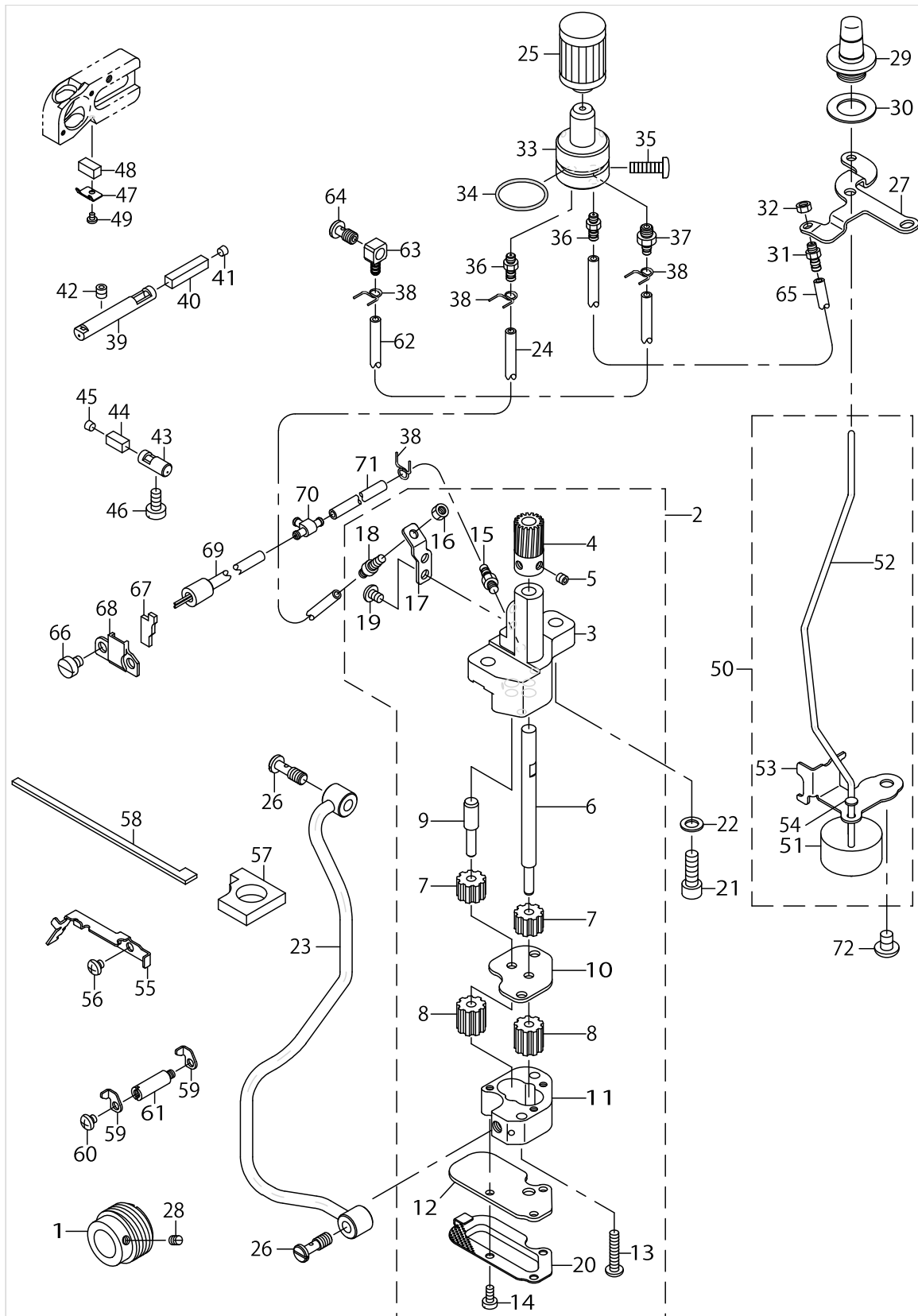
LUBRICATION MECHANISM COMPONENTS



LUBRICATION MECHANISM COMPONENTS

No.	Supply Code	Parts No.	Replacement	Parts name	Remarks	Choice	Step	Level	Cons	Qty	Rep. QTY
1		12315008		WORM						1	
2		40018045		OIL PUMP ASM						1	
3	R	12315909	40018044	OIL PUMP				*		1	1.00
4		13343009		WORM WHEEL				*		1	
5		SM8050412TP		SCREW M5 L=4				*		2	
6	R	11918109	40018044	GEAR PUMP SHAFT LARGE				*		1	1.00
7	R	B3534352000	13228309	PINION GEAR				*		2	1.00
8		11840303		OIL PUMP PINION				*		2	
9	R	12317004	40018044	GEAR PUMP SHAFT		A	MO6700/6900G	*		1	1.00
9	R	12317004	40018045	GEAR PUMP SHAFT		B	MO6900R/6900J	*		1	1.00
10	R	12316006	40018044	PINION SPACER				*		1	1.00
11	D	12316105		CASING				*		1	
12	R	40016762	40018044	PUMP COVER		A	MO-6700.6900G.S	*		1	1.00
12	R	40016762	40018045	PUMP COVER		B	MO-6900C.J.R	*		1	1.00
12	R	40016762	40109455	PUMP COVER				*		1	1.00
13		SS4112215SP		SCREW11/64-40L=22				*		2	
14		SS6090810SP		SCREW 9/64-40 L=7.5				*		3	
15		SQ1110401MZ		CONNECTING SCREW				*		1	
16		NS6110310SP		NUT 11/64-40				*		1	
17		12129318		CONNECTING SCREW BRACKET				*		1	
18		SQ1110451MZ		CONNECTING SCREW				*		1	
19		SS4110615SP		SCREW 11/64-40 L=6				*		2	
20		40016763		PUMP NET				*		1	
21		SM6061802TP		SCREW M6 L=18						2	
22		WP0651056SD		WASHER 6.5X11X1						2	
23		13228655		LUBRICATION MEC- HANISM PIPE ASM						1	
24		23630007		TUBE						.21	
25		13142500		CARTRIDGE FILTER						1	
26		SQ1150454SD		CONNECTING SCREW						2	
27		12315800		OILING EXIT SUPPORT						1	
28		SS8110520TP		SCREW 11/64-40 L=4.5						1	
29		13143300		OIL GAUGE						1	
30		13144001		OIL GAUGE GASKET						1	
31		SQ1110451MZ		CONNECTING SCREW						1	
32		NS6110310SP		NUT 11/64-40						1	
33		13142955		FILTER GUIDE ASM.						1	
34		13170808		RUBBER RING						1	
35		SM4051601SC		SCREW M5X0.8 L=16						1	
36		SQ1110451MZ		CONNECTING SCREW						2	
37		SQ1150451MZ		CONNECTING SCREW						1	
38		13142609		OIL TUBE HOLDER						4	
39		13144100		OILING PIN						1	
40		13144209		OIL FELT						1	
41		TA0400301M0		PLUG D=4X4.5 L=3						1	
42		SM8050502TP		SCREW M5 L=5						1	
43		13143417		OILING PIN						1	

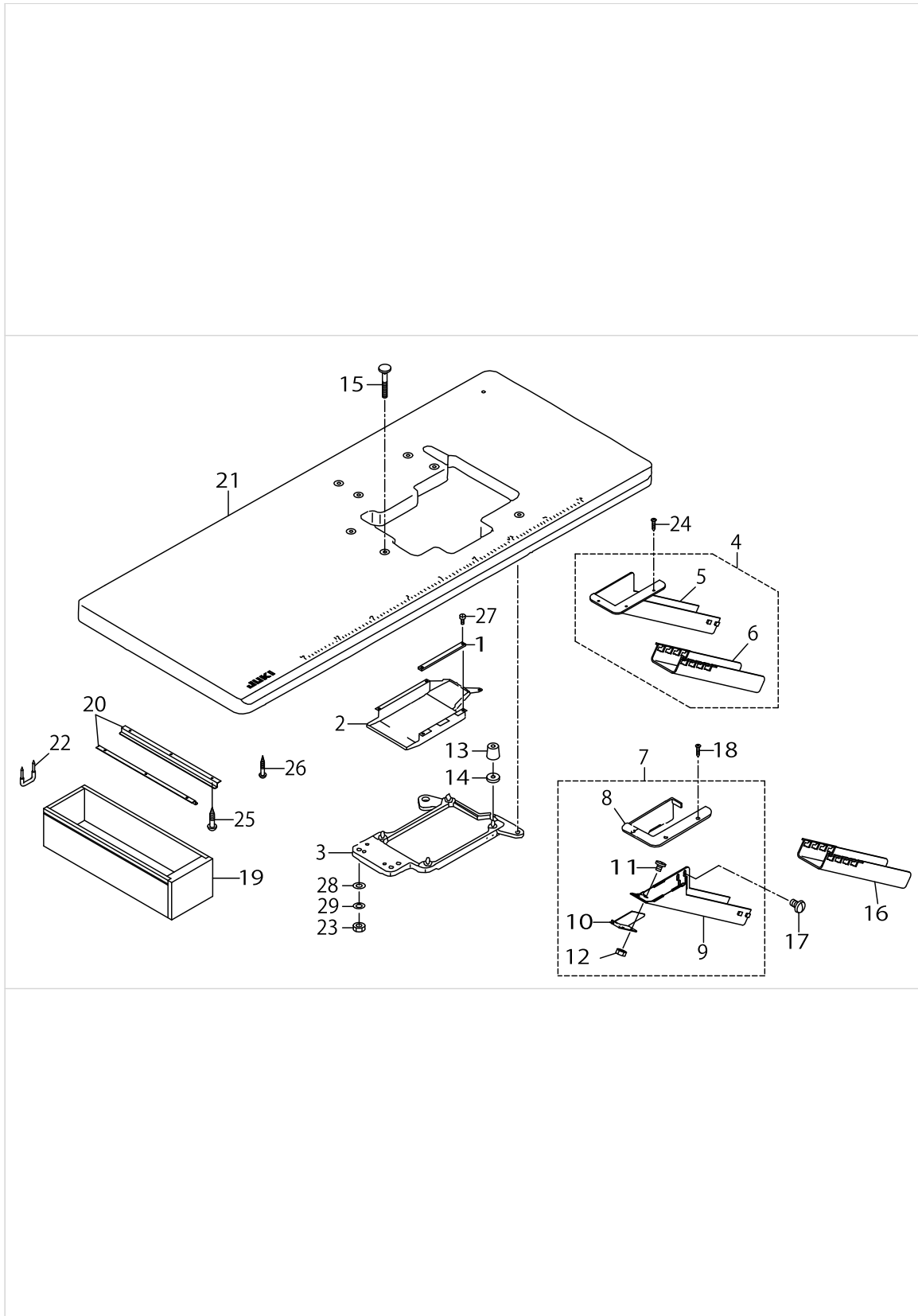
LUBRICATION MECHANISM COMPONENTS



LUBRICATION MECHANISM COMPONENTS

No.	Supply Code	Parts No.	Replacement	Parts name	Remarks	Choice	Step	Level	Cons	Qty	Rep. QTY
44		13143508		OIL FELT						1	
45		13230107		OIL PLUG						1	
46		SS6121020SP		SCREW 3/16-28 L=9.5						1	
47		13143607		OIL FELT PRESSER						1	
48		13143706		OIL FELT						1	
49		SS7060310SP		SCREW 3/32-56 L=3						1	
50		13275151		FLOAT ASM.						1	
51	R	13275102	13275151	FLOAT				*		1	1.00
52	R	13275003	13275151	OIL GAUGE BAR				*		1	1.00
53		13229307		FLOAT SUPPORT				*		1	
54		13275201		FLOAT GUIDE BAR				*		1	
55		13228804		OIL FELT GUIDE						1	
56		31018005		SCREW						2	
57		13229109		OIL FELT B						1	
58		13229406		OIL FELT A						1	
59		13228903		OIL FELT PRESSER						2	
60		31018005		SCREW						1	
61		13229000		FELT PRESSER SPACER						1	
62		BP30000010R		VINYL PIPE						.28	
63		SQ0000451MZ		CONNECTING SCREW						1	
64		SQ1150441SD		CONNECTING SCREW						1	
65		23630007		TUBE						.17	
66		SS6120620TP		SCREW						2	
67	D	13276902		ONCE THROUGH OIL FELT B						1	
68		13277009		ONCE THROUGH COVER						1	
69		13277157		ONCE THROUGH PIPE ASM.						1	
70		13765607		OIL CONNEC. ARM						1	
71		23630007		TUBE						.18	
72		SM4060801SE		SCREW						1	

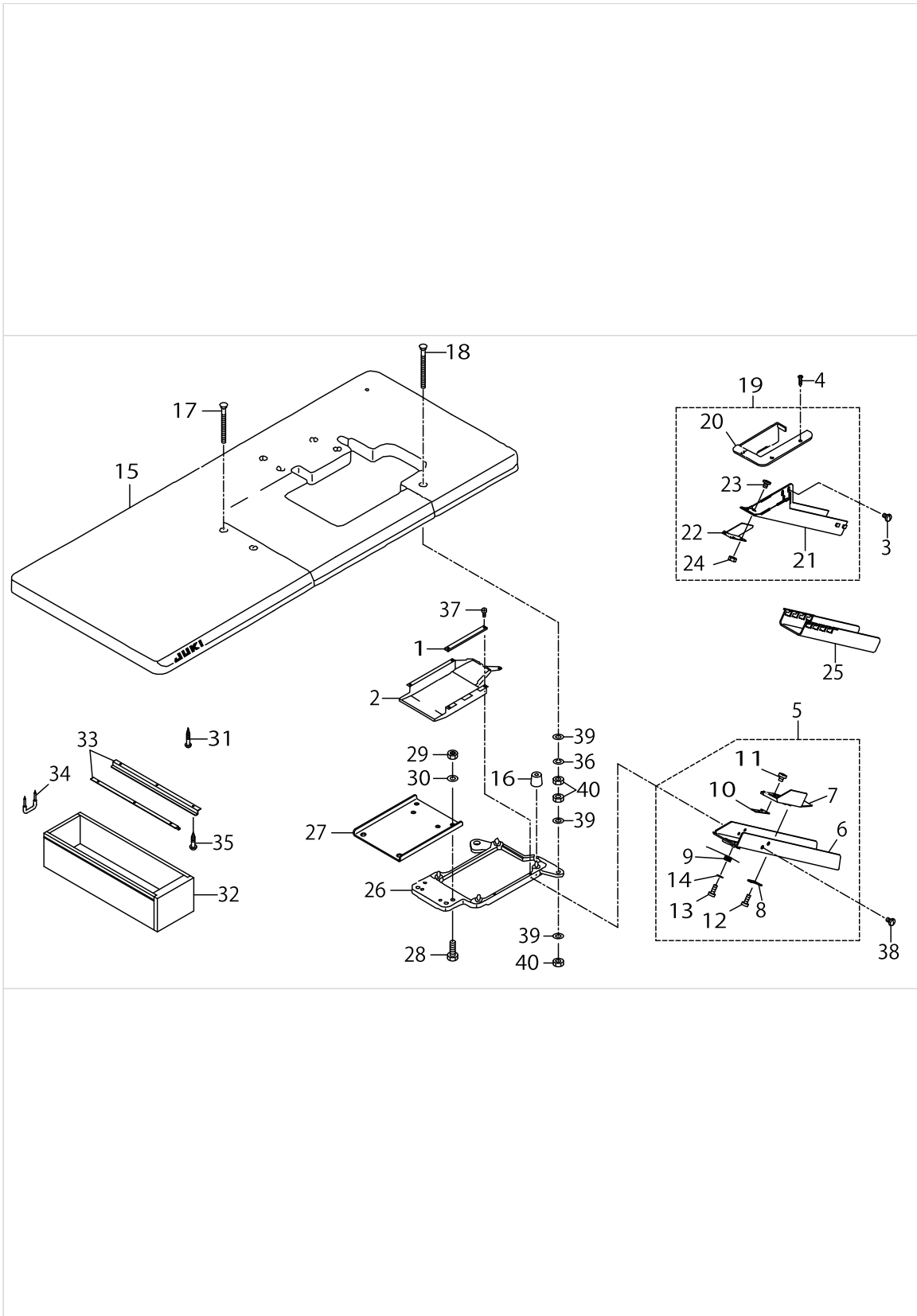
SEMI-SUNKEN TYPE TABLE COMPONENTS



SEMI-SUNKEN TYPE TABLE COMPONENTS

No.	Supply Code	Parts No.	Replacement	Parts name	Remarks	Choice	Step	Level	Cons	Qty	Rep. QTY
1		13161005		CASE SPONGE						1	
2		13160908		COOLING FAN CASE						1	
3		13161153		FRAME SUPPORT PLATE ASM.						1	
4		12341954		CLOTH WASTE CHUTE ASM.	EXCEPT JE					1	
5		12341905		CLOTH WASTE CHUTE(SEMI-SUNKEN)				*		1	
6		12341806		CLOTH WASTE CHUTE				*		1	
7		13155759		CLOTH WASTE CHUTE ASM.	FOR JE					1	
8	R	13155601	13155759	CLOTH WASTE CHUTE INLET				*		1	1.00
9	R	13155700	13155759	CLOTH WASTE CHUTE UPPER				*		1	1.00
10		13155502		CHUTE SUPPORT				*		1	
11		SS5090610SP		SCREW 9/64-40 L=6				*		3	
12		NS6090310SP		NUT 9/64-40				*		3	
13		13155403		DUST-PROOF RUBBER						4	
14		13156500		DUST-PROOF RUBBER SPACER						4	
15		13155007		HOLDING PLATE BOLT						4	
16		12341806		CLOTH WASTE CHUTE	FOR JE					1	
17		SS5110710SP		SCREW 11/64-40 L=7	FOR JE					2	
18		SK2351601SE		SCREW	FOR JE					3	
19	R	11155108	11155157	DRAWER						1	1.00
20		11155207		DRAWER SUPPORT						2	
21		11959400		TABLE (SEMI-SUNKEN)						1	
22		D8204555D00		DRAWER STOPPER						1	
23		NS6240630SE		NUT 3/8-18						4	
24		SK2351601SE		SCREW	EXCEPT JE					3	
25	D	SK3311500SC		WOOD SCREW D=3.1 L=15						6	
26	R	SK3513200SC	SK3513201SE	WOOD SCREW D=5.1 L=32						4	1.00
27		SS6090630TP		SCREW 9/64-40 L=6						5	
28		WP1002036SE		WASHER 10X21X2						4	
29		WS1002560KR		SPRING WASHER 10X18X2.5						4	

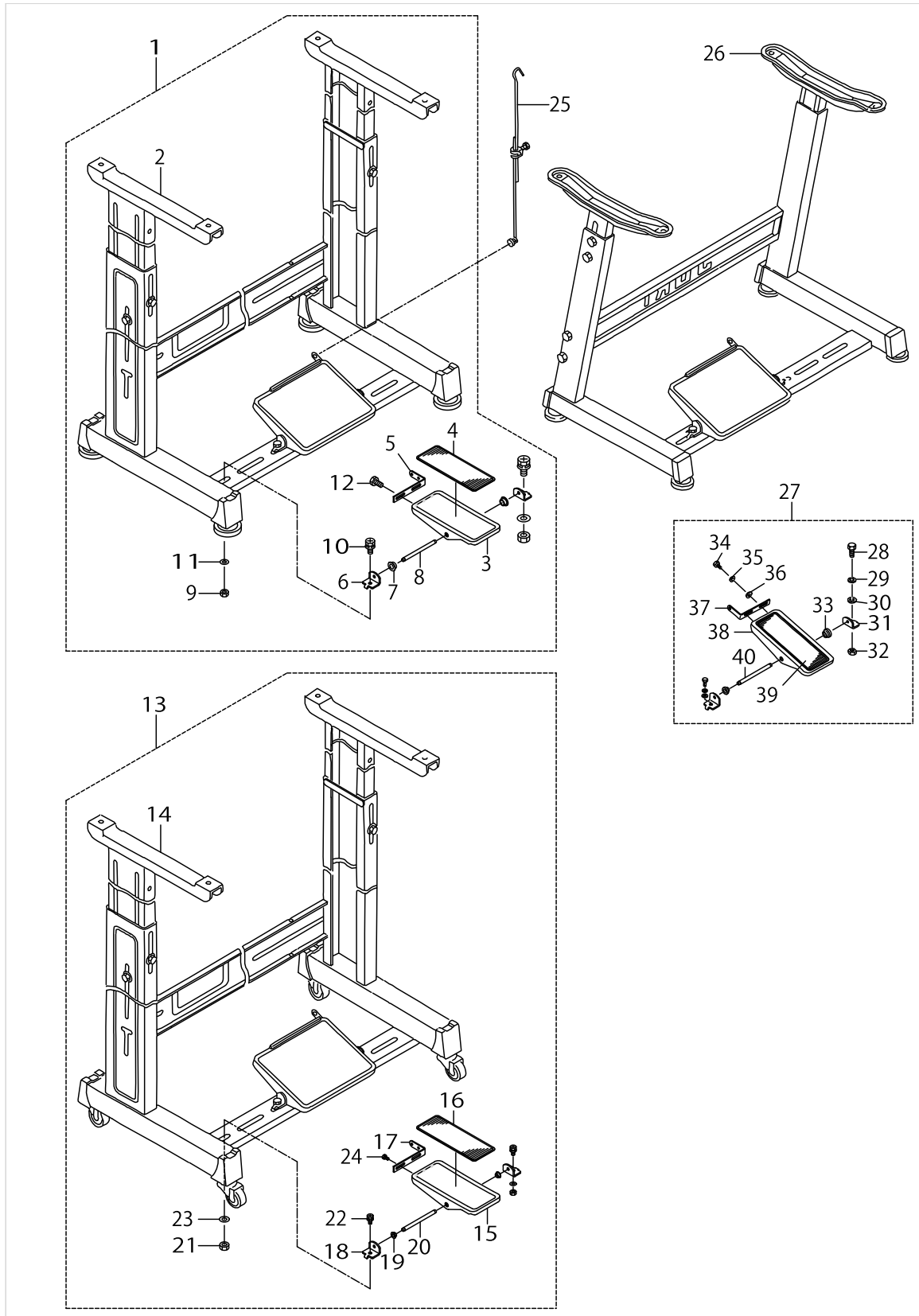
FULLY-SUNKEN TYPE TABLE COMPONENTS



FULLY-SUNKEN TYPE TABLE COMPONENTS

No.	Supply Code	Parts No.	Replacement	Parts name	Remarks	Choice	Step	Level	Cons	Qty	Rep. QTY
1		13161005		CASE SPONGE						1	
2		13160908		COOLING FAN CASE						1	
3		SS5110710SP		SCREW 11/64-40 L=7	FOR JE					2	
4		SK2351601SE		SCREW	FOR JE					3	
5		13155858		CLOTH WASTE CHUTE ASM.	EXCEPT JE					1	
6	R	13156203	13155858	CLOTH WASTE CHUTE				*		1	1.00
7	R	13156302	13155858	CLOTH WASTE CHUTE INLET				*		1	1.00
8	R	13155908	13155858	CHUTE INLET LEVER				*		1	1.00
9	R	13156005	13155858	CHUTE INLET SPRING				*		1	1.00
10	R	13156104	13155858	CHUTE INLET RUBBER				*		1	1.00
11		SS6090420SP		SCREW 9/64-40 L=4.0				*		2	
12		ST60308210A		SCREW D=3-24 L=8				*		2	
13		ST60308210A		SCREW D=3-24 L=8				*		1	
14		WP0370316SD		WASHER 3.7X8X0.3				*		1	
15		11959558		TABLE ASM.						1	
16		13155403		DUST-PROOF RUBBER						4	
17		13155106		HOLDING PLATE BOLT C						2	
18		13155205		HOLDING PLATE BOLT D						2	
19		13155759		CLOTH WASTE CHUTE ASM.	FOR JE					1	
20	R	13155601	13155759	CLOTH WASTE CHUTE INLET				*		1	1.00
21	R	13155700	13155759	CLOTH WASTE CHUTE UPPER				*		1	1.00
22		13155502		CHUTE SUPPORT				*		1	
23		SS5090610SP		SCREW 9/64-40 L=6				*		3	
24		NS6090310SP		NUT 9/64-40				*		3	
25		12341806		CLOTH WASTE CHUTE	FOR JE					1	
26		13161153		FRAME SUPPORT PLATE ASM.						1	
27		13155304		FRAME HOLDING PLATE COUPLING						1	
28		SM9082513CF		SCREW M8 L=25						4	
29		NM6080600SM		NUT M8						4	
30		WP0850002SC		WASHER 8.5X18X1.6						4	
31	R	SK3513200SC	SK3513201SE	WOOD SCREW D=5.1 L=32						4	1.00
32	R	11155108	11155157	DRAWER						1	1.00
33		11155207		DRAWER SUPPORT						2	
34		D8204555D00		DRAWER STOPPER						1	
35	D	SK3311500SC		WOOD SCREW D=3.1 L=15						6	
36		WS1002560KR		SPRING WASHER 10X18X2.5						4	
37		SS6090630TP		SCREW 9/64-40 L=6						5	
38		SS5110710SP		SCREW 11/64-40 L=7	EXCEPT JE					2	
39		WP1002036SE		WASHER 10X21X2						12	
40		NS6240630SE		NUT 3/8-18						12	

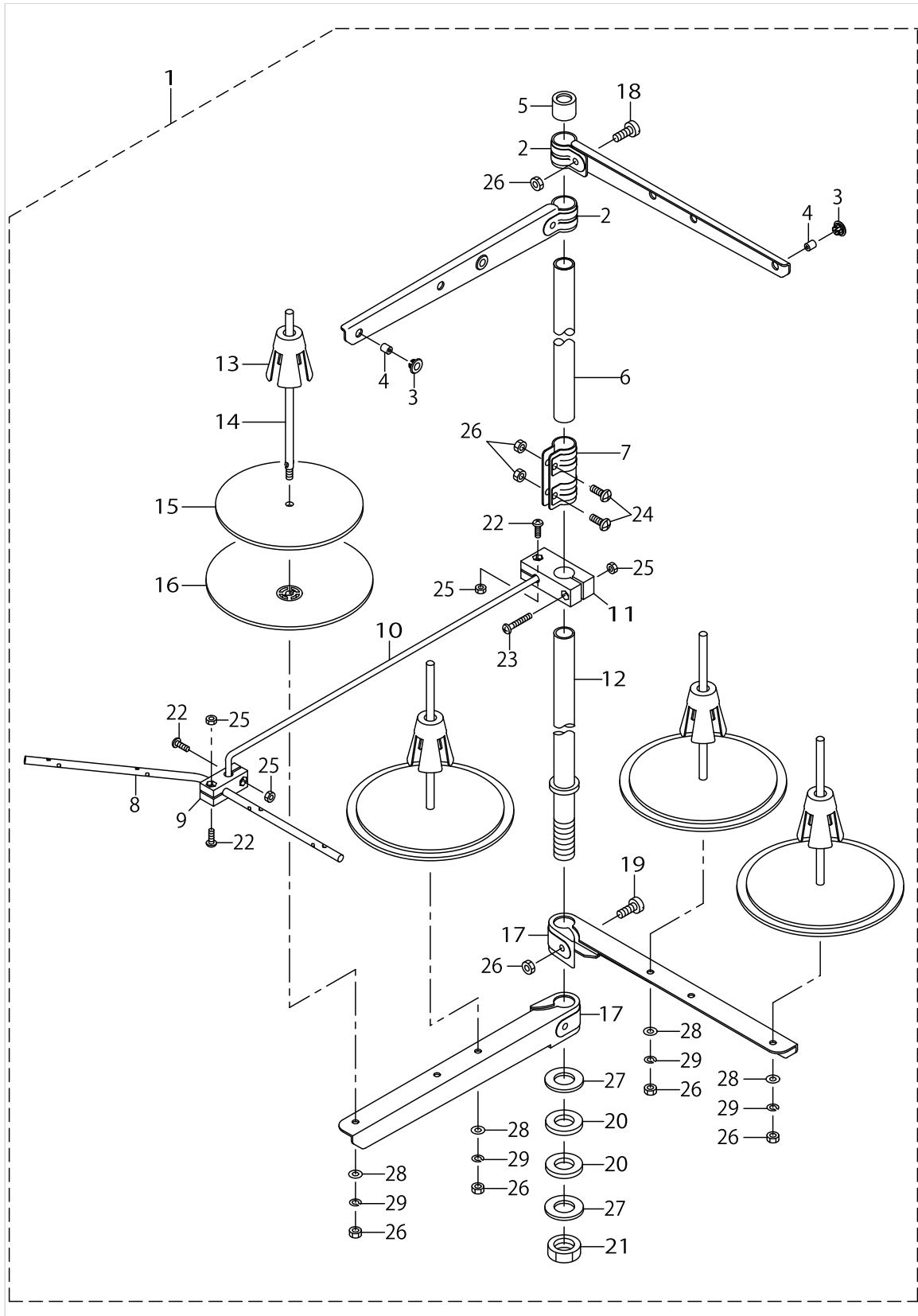
STAND COMPONENTS (Z-T)



STAND COMPONENTS (Z-T)

No.	Supply Code	Parts No.	Replacement	Parts name	Remarks	Choice	Step	Level	Cons	Qty	Rep. QTY
1		11960655		T STAND JUNCTION						1	
2		11157567		T LEG JUNCTION				*		1	
3	R	GPF06060000	GPF060600A0	PEDAL				*		1	1.00
4		GPF06070000		PEDAL MAT				*		1	
5		GPF06080000		PEDAL ADJUSTING PLATE				*		1	
6		11159001		PEDAL SHAFT BRACKET				*		2	
7		D8113555B00		PEDAL BUSHING				*		2	
8		B8153771000		PEDAL CONNECTING ROD				*		1	
9		NM6080001SE		NUT M8				*		2	
10		SL9082091SE		WASHER HEXAGONAL BOLT				*		2	
11		WP0871602SE		WASHER 8.7X18X1.6				*		2	
12		SL9061291SE		WASHER HEXAGONAL BOLT M6 L=12				*		2	
13	R	11960754	11159407	T STAND JUNCTION(WITH CASTER)		A				1	4.00
13	R	11960754	11960655	T STAND JUNCTION(WITH CASTER)		A				1	1.00
14		11159365		T STAND JUNCTION				*		1	
15	R	GPF06060000	GPF060600A0	PEDAL				*		1	1.00
16		GPF06070000		PEDAL MAT				*		1	
17		GPF06080000		PEDAL ADJUSTING PLATE				*		1	
18		11159001		PEDAL SHAFT BRACKET				*		2	
19		D8113555B00		PEDAL BUSHING				*		2	
20		B8153771000		PEDAL CONNECTING ROD				*		1	
21		NM6080001SE		NUT M8				*		2	
22		SL9082091SE		WASHER HEXAGONAL BOLT				*		2	
23		WP0871602SE		WASHER 8.7X18X1.6				*		2	
24		SL9061291SE		WASHER HEXAGONAL BOLT M6 L=12				*		2	
25		B71140120A0		MOTOR CONNECTING ROD ASM.						1	
26	D	11151065		Z LEG JUNCTION (B)						1	
27	D	B81517710A0		PEDAL ASM.						1	
28		SM9082023SE		SCREW M8 L=20				*		2	
29		WS0861410KR		SPRING WASHER 8.6X15X1.4				*		2	
30		WP0871602SE		WASHER 8.7X18X1.6				*		4	
31		11151909		PEDAL SHAFT BRACKET				*		2	
32		NM6080721SE		NUT M8				*		2	
33		D8113555B00		PEDAL BUSHING				*		2	
34		SM9061203SE		SCREW M6 L=12				*		2	
35		WS0621210KR		SPRING WASHER 6.2X11.4X1.2				*		2	
36		WP0671016SE		WASHER 6.7X13X1				*		2	
37	D	11246600		PEDAL ADJUSTING PLATE				*		1	
38	D	11246501		PEDAL				*		1	
39		B8152771000		PEDAL MAT				*		1	
40		B8153771000		PEDAL CONNECTING ROD				*		1	

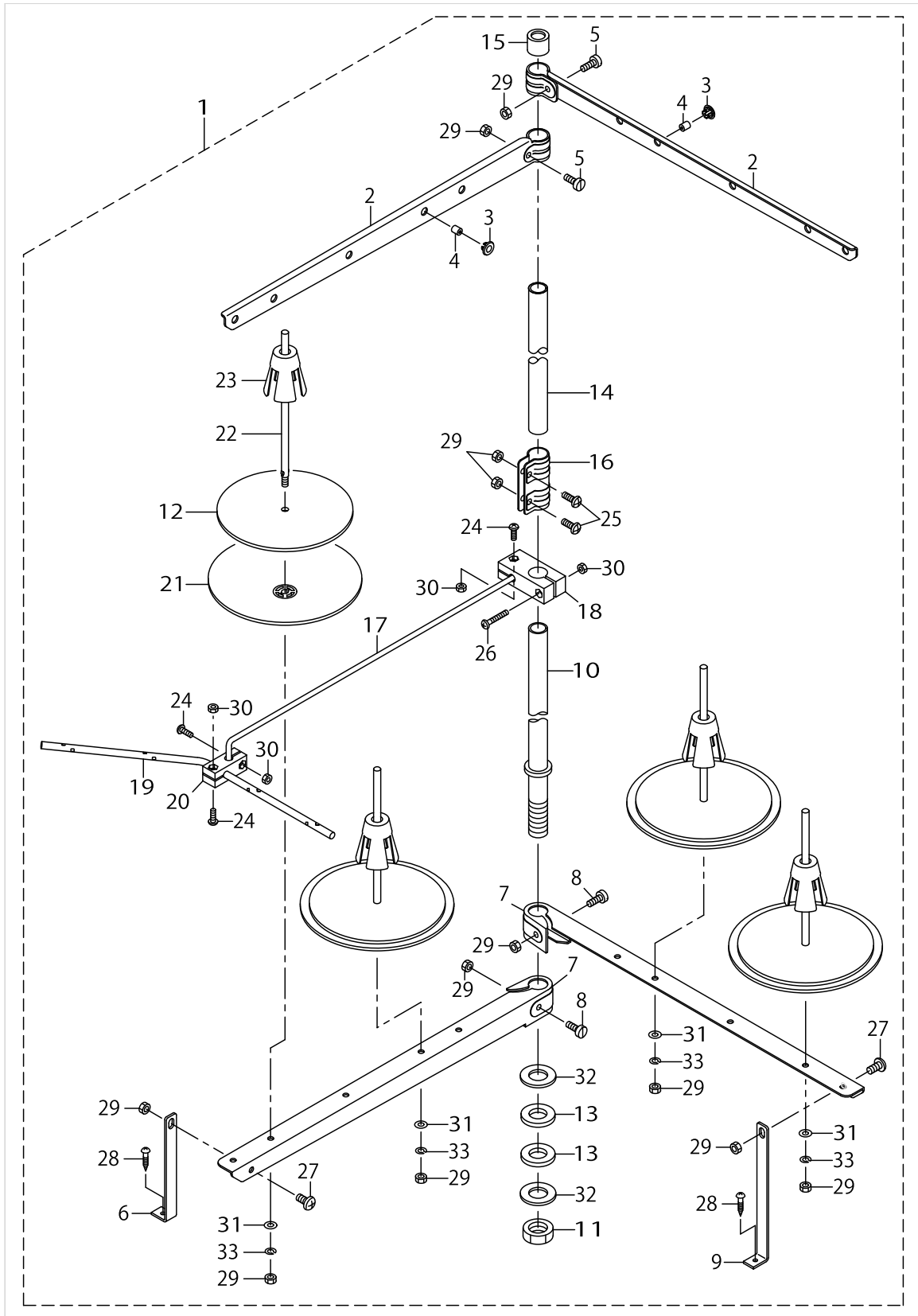
THREAD STAND COMPONENTS (FOR MO-6904R,MO-6914R)



THREAD STAND COMPONENTS (FOR MO-6904R,MO-6914R)

No.	Supply Code	Parts No.	Replacement	Parts name	Remarks	Choice	Step	Level	Cons	Qty	Rep. QTY
1	R	40106590	40106584	THREAD STAND ASM.						1	1.00
2		40085787		SPOOL REST ARM UPPER				*		2	
3		40085795		THREAD GUIDE BUSHING				*		4	
4		40085794		THREAD GUIDE				*		4	
5		40085793		SPOOL REST ROD RUBBER CAP				*		1	
6		40085785		SPOOL REST ROD UPPER				*		1	
7		40085792		SPOOL REST ROD JOINT				*		1	
8		40106582		THREAD GUIDE 4				*		1	
9		40106580		THREAD GUIDE UNDER BASE				*		1	
10		40106576		THREAD GUIDE ARM				*		1	
11		40106579		THREAD GUIDE ARM BASE				*		1	
12		40085784		SPOOL REST ROD LOWER				*		1	
13		40085791		SPOOL RETAINER				*		4	
14		40085790		SPOOL PIN				*		4	
15		40085789		SPOOL REST CUSHION				*		4	
16		40085788		SPOOL REST				*		4	
17		40085786		SPOOL REST ARM LOWER				*		2	
18	R	40096327	SM4053001SE	SPOOL REST ARM UPPER SCREW				*		2	1.00
19		40096326		SPOOL REST ARM LOWER SCREW				*		2	
20		40085796		SPOOL REST ROD RUBBER CUSHION				*		2	
21		40096325		SPOOL REST ROD NUT				*		1	
22		SM4041201SC		SCREW M4 L=12				*		3	
23		SM4042501SC		SCREW M4X0.7 L=25				*		1	
24		SM4051405SE		SCREW M5 L=14				*		2	
25	R	NM6040002SC	NM6040002SE	NUT M4				*		4	1.00
26		NM6050001SE		NUT M5				*		10	
27		WP1612616SE		WASHER 16X30X2.6				*		2	
28		WP0531001SC		WASHER M5				*		4	
29		WS0510002KN		SPRING WASHER M5				*		4	

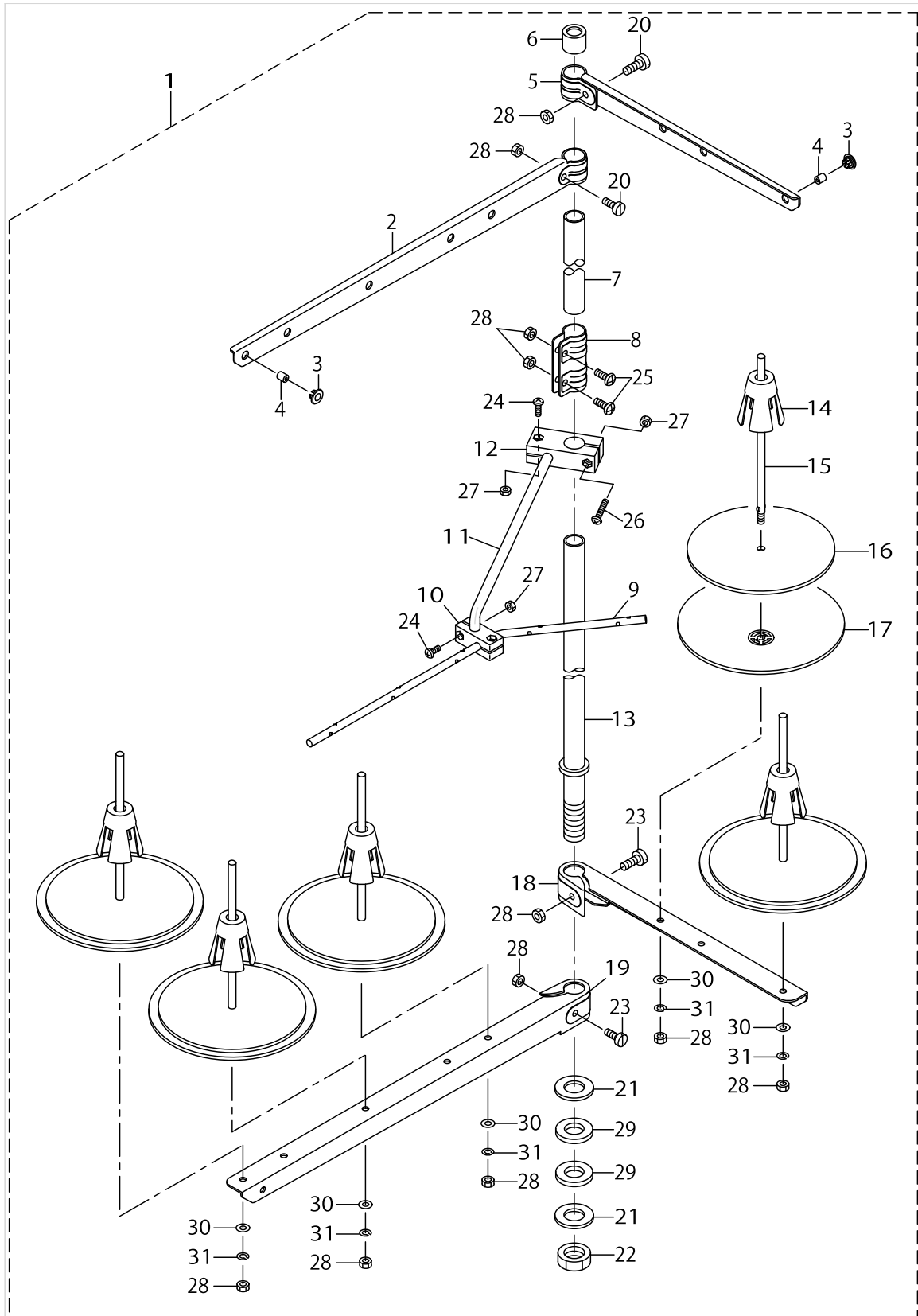
THREAD STAND COMPONENTS (MO-6904R,MO-6914R SPECIAL ORDER PARTS)



THREAD STAND COMPONENTS (MO-6904R,MO-6914R SPECIAL ORDER PARTS)

No.	Supply Code	Parts No.	Replacement	Parts name	Remarks	Choice	Step	Level	Cons	Qty	Rep. QTY
1		40106593		THREAD STAND ASM.						1	
2		40106575		SPOOL REST LONG ARM UPPER				*		2	
3		40085795		THREAD GUIDE BUSHING				*		4	
4		40085794		THREAD GUIDE				*		4	
5	R	40096327	SM4053001SE	SPOOL REST ARM UPPER SCREW				*		2	1.00
6		40106577		SPOOL REST ARM LOWER A				*		1	
7		40106574		SPOOL REST LONG ARM LOWER				*		2	
8		40096326		SPOOL REST ARM LOWER SCREW				*		2	
9		40106578		SPOOL REST ARM LOWER B				*		1	
10		40085784		SPOOL REST ROD LOWER				*		1	
11		40096325		SPOOL REST ROD NUT				*		1	
12		40085789		SPOOL REST CUSHION				*		4	
13		40085796		SPOOL REST ROD RUBBER CUSHION				*		2	
14		40085785		SPOOL REST ROD UPPER				*		1	
15		40085793		SPOOL REST ROD RUBBER CAP				*		1	
16		40085792		SPOOL REST ROD JOINT				*		1	
17		40106576		THREAD GUIDE ARM				*		1	
18		40106579		THREAD GUIDE ARM BASE				*		1	
19		40106582		THREAD GUIDE 4				*		1	
20		40106580		THREAD GUIDE UNDER BASE				*		1	
21		40085788		SPOOL REST				*		4	
22		40085790		SPOOL PIN				*		4	
23		40085791		SPOOL RETAINER				*		4	
24		SM4041201SC		SCREW M4 L=12				*		3	
25		SM4051405SE		SCREW M5 L=14				*		2	
26		SM4042501SC		SCREW M4X0.7 L=25				*		1	
27		SM4051001SE		SCREW M5 L=10				*		2	
28		SK3412001SE		WOOD SCREW D=4.1 L=20				*		2	
29		NM6050001SE		NUT M5				*		12	
30	R	NM6040002SC	NM6040002SE	NUT M4				*		4	1.00
31		WP0531001SC		WASHER M5				*		4	
32		WP1612616SE		WASHER 16X30X2.6				*		2	
33		WS0510002KN		SPRING WASHER M5				*		4	

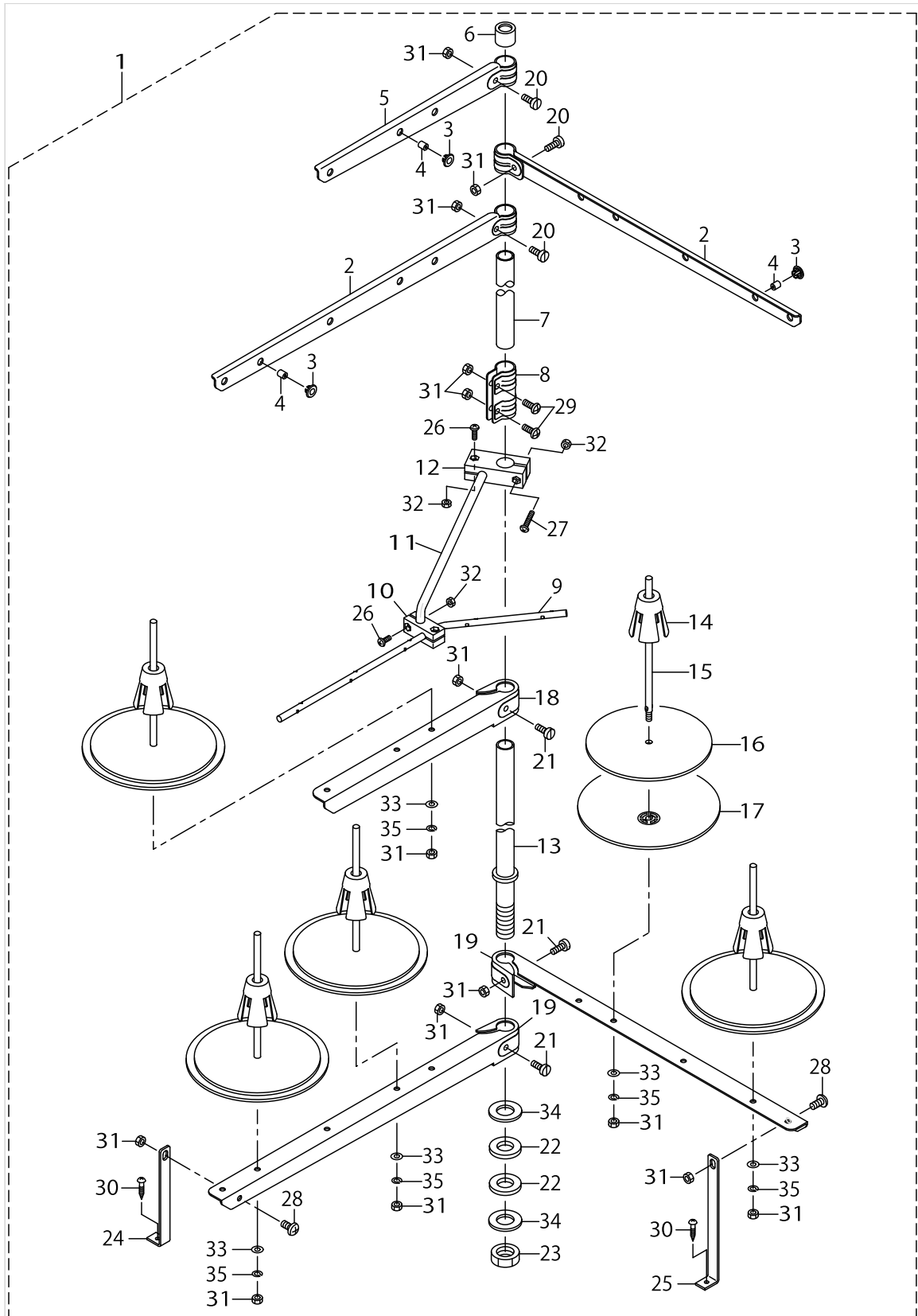
THREAD STAND COMPONENTS (FOR MO-6916R)



THREAD STAND COMPONENTS (FOR MO-6916R)

No.	Supply Code	Parts No.	Replacement	Parts name	Remarks	Choice	Step	Level	Cons	Qty	Rep. QTY
1		40106591		THREAD STAND ASM.						1	
2		40106575		SPOOL REST LONG ARM UPPER				*		1	
3		40085794		THREAD GUIDE				*		5	
4		40085795		THREAD GUIDE BUSHING				*		5	
5		40085787		SPOOL REST ARM UPPER				*		1	
6		40085793		SPOOL REST ROD RUBBER CAP				*		1	
7		40085785		SPOOL REST ROD UPPER				*		1	
8		40085792		SPOOL REST ROD JOINT				*		1	
9		40106581		THREAD GUIDE 5				*		1	
10		40106580		THREAD GUIDE UNDER BASE				*		1	
11		40106576		THREAD GUIDE ARM				*		1	
12		40106579		THREAD GUIDE ARM BASE				*		1	
13		40085784		SPOOL REST ROD LOWER				*		1	
14		40085791		SPOOL RETAINER				*		5	
15		40085790		SPOOL PIN				*		5	
16		40085789		SPOOL REST CUSHION				*		5	
17		40085788		SPOOL REST				*		5	
18		40085786		SPOOL REST ARM LOWER				*		1	
19		40106574		SPOOL REST LONG ARM LOWER				*		1	
20	R	40096327	SM4053001SE	SPOOL REST ARM UPPER SCREW				*		2	1.00
21		40085796		SPOOL REST ROD RUBBER CUSHION				*		2	
22		40096325		SPOOL REST ROD NUT				*		1	
23		40096326		SPOOL REST ARM LOWER SCREW				*		2	
24		SM4041201SC		SCREW M4 L=12				*		3	
25		SM4051405SE		SCREW M5 L=14				*		2	
26		SM4042501SC		SCREW M4X0.7 L=25				*		1	
27	R	NM6040002SC	NM6040002SE	NUT M4				*		4	1.00
28		NM6050001SE		NUT M5				*		11	
29		WP1612616SE		WASHER 16X30X2.6				*		2	
30		WP0531001SC		WASHER M5				*		5	
31		WS0510002KN		SPRING WASHER M5				*		5	

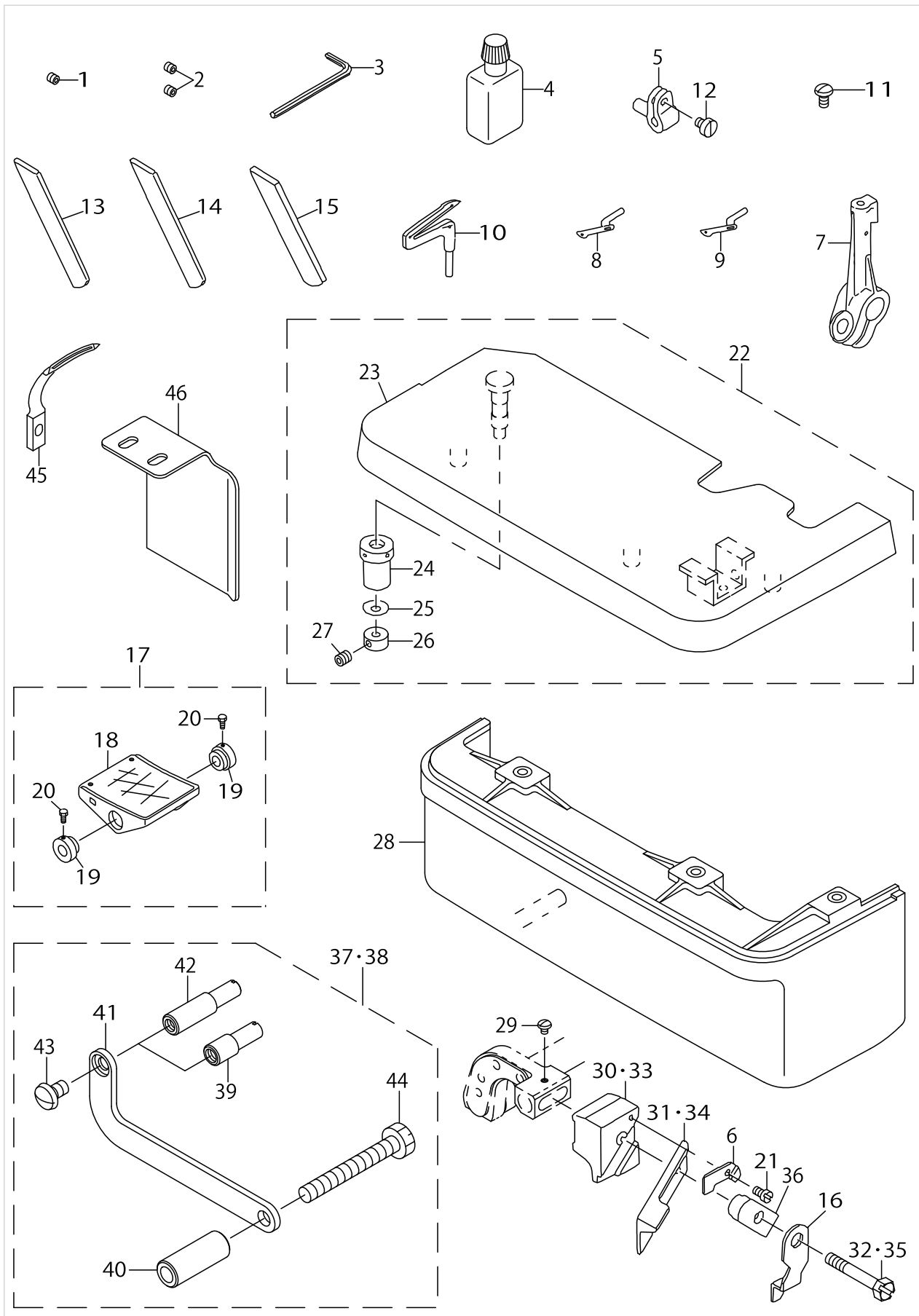
THREAD STAND COMPONENTS (MO-6916R SPECIAL ORDER PARTS)



THREAD STAND COMPONENTS (MO-6916R SPECIAL ORDER PARTS)

No.	Supply Code	Parts No.	Replacement	Parts name	Remarks	Choice	Step	Level	Cons	Qty	Rep. QTY
1		40106604		THREAD STAND ASM.						1	
2		40106575		SPOOL REST LONG ARM UPPER				*		2	
3		40085794		THREAD GUIDE				*		5	
4		40085795		THREAD GUIDE BUSHING				*		5	
5		40085787		SPOOL REST ARM UPPER				*		1	
6		40085793		SPOOL REST ROD RUBBER CAP				*		1	
7		40085785		SPOOL REST ROD UPPER				*		1	
8		40085792		SPOOL REST ROD JOINT				*		1	
9		40106581		THREAD GUIDE 5				*		1	
10		40106580		THREAD GUIDE UNDER BASE				*		1	
11		40106576		THREAD GUIDE ARM				*		1	
12		40106579		THREAD GUIDE ARM BASE				*		1	
13		40085784		SPOOL REST ROD LOWER				*		1	
14		40085791		SPOOL RETAINER				*		5	
15		40085790		SPOOL PIN				*		5	
16		40085789		SPOOL REST CUSHION				*		5	
17		40085788		SPOOL REST				*		5	
18		40085786		SPOOL REST ARM LOWER				*		1	
19		40106574		SPOOL REST LONG ARM LOWER				*		2	
20	R	40096327	SM4053001SE	SPOOL REST ARM UPPER SCREW				*		3	1.00
21		40096326		SPOOL REST ARM LOWER SCREW				*		3	
22		40085796		SPOOL REST ROD RUBBER CUSHION				*		2	
23		40096325		SPOOL REST ROD NUT				*		1	
24		40106577		SPOOL REST ARM LOWER A				*		1	
25		40106578		SPOOL REST ARM LOWER B				*		1	
26		SM4041201SC		SCREW M4 L=12				*		3	
27		SM4042501SC		SCREW M4X0.7 L=25				*		1	
28		SM4051001SE		SCREW M5 L=10				*		2	
29		SM4051405SE		SCREW M5 L=14				*		2	
30		SK3412001SE		WOOD SCREW D=4.1 L=20				*		2	
31		NM6050001SE		NUT M5				*		15	
32	R	NM6040002SC	NM6040002SE	NUT M4				*		4	1.00
33		WP0531001SC		WASHER M5				*		5	
34		WP1612616SE		WASHER 16X30X2.6				*		2	
35		WS0510002KN		SPRING WASHER M5				*		5	

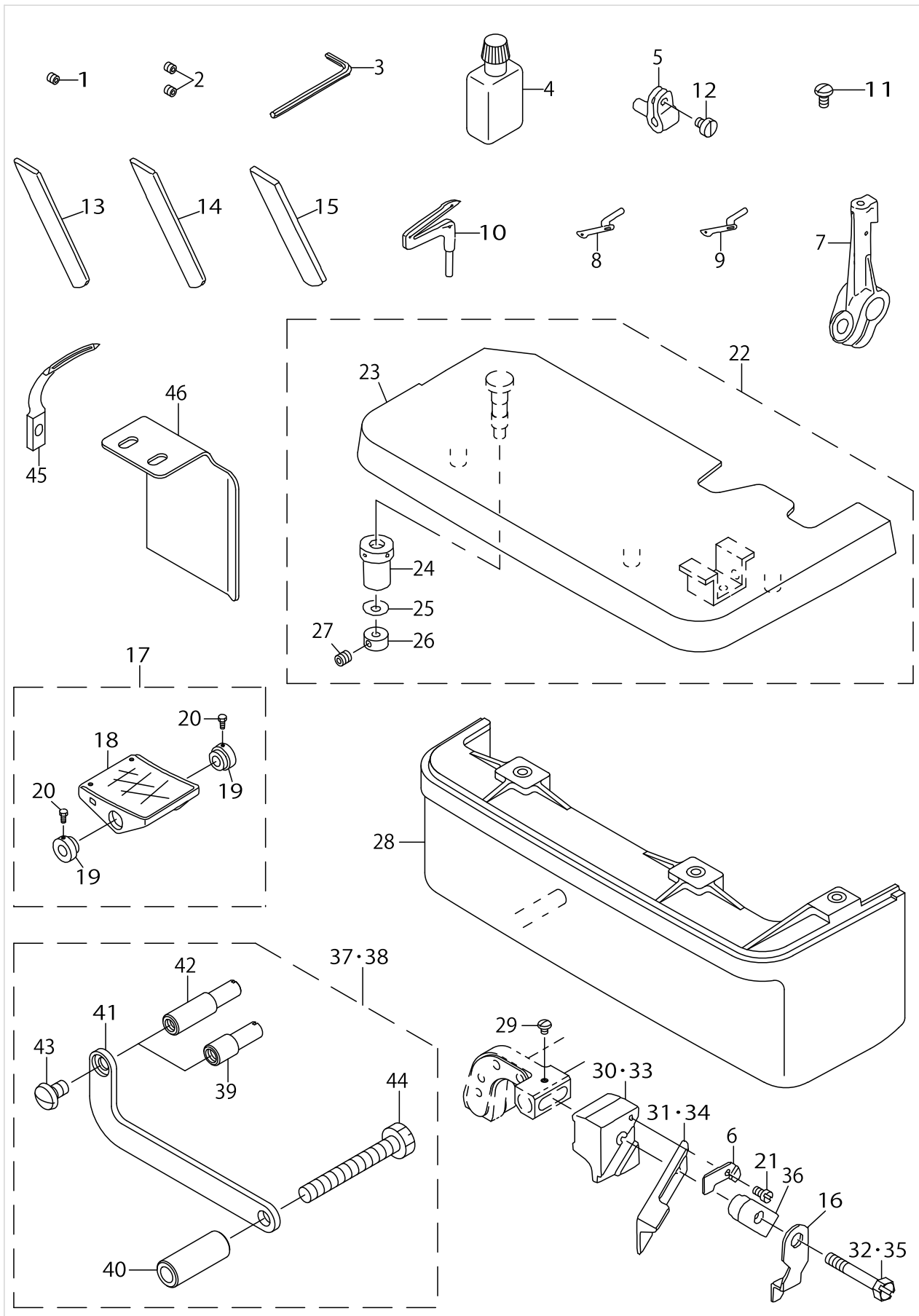
SPECIAL ORDER PARTS COMPONENTS



SPECIAL ORDER PARTS COMPONENTS

No.	Supply Code	Parts No.	Replacement	Parts name	Remarks	Choice	Step	Level	Cons	Qty	Rep. QTY
1		SS8080322TP		SCREW 1/8-44 L=3.2	FOR MO-6904R					1	
2		SS8080322TP		SCREW 1/8-44 L=3.2	FOR MO-6-914R,MO-6916R					2	
3		B9112804000		SPANNER						1	
4		B91351230B0		SILICON OIL LUBRICANT (30CC)						1	
5		11544707		UPPER LOOPER SUPPORT ARM						1	
6		11565702		WASHER						1	
7		12123709		LOWER LOOPER SUPPORT ARM						1	
8		B2519804000		UPPER LOOPER	FOR MO-6-904R,MO-6916R					1	
9		B2519814000		UPPER LOOPER	FOR MO-6914R					1	
10		B2521804000		LOWER LOOPER						1	
11		SS4080620TP		SCREW 1/8-44 L=6	FOR MO-6-904R,MO-6914R					1	
12		SS6080410SP		SCREW 1/8-44 L=4						1	
13		11847605		LOWER KNIFE						1	
14		11964509		CERAMIC LOWER KNIFE						1	
15		11992005		LOWER KNIFE						1	
16		11848405		UPPER KNIFE COVER						1	
17		11965753		PEDAL ASM.						1	
18		11965704		PEDAL				*		1	
19		11965803		PEDAL THRUST COLLAR				*		2	
20		SM9061203SE		SCREW M6 L=12				*		2	
21		SS4060310SP		SCREW 3/32-56 L=2.5						1	
22		12105458		CLOTH PLATE ASM.	FOR MO-6916R					1	
23	R	12104550	12105458	CLOTH PLATE ASM.				*		1	1.00
24		11501301		ECCENTRIC BUSHING				*		1	
25		WZ0420350KP		DISC SPRING				*		1	
26	R	CS0400671SD	13172903	THRUST HOLDER				*		1	1.00
27		SM8040302TP		SETSCREW				*		1	
28	D	11949104		CLOTH BASE COVER	FOR MO-6916R					1	
29		SS4060310SP		SCREW 3/32-56 L=2.5						1	
30		11598000		UPPER KNIFE SUPPORT	FOR MO-6-904R,MO-6914R					1	
31		11845807		UPPER KNIFE	FOR MO-6-904R,MO-6914R					1	
32		SS9111610SP		SCREW 11/64-40L=16	FOR MO-6-904R,MO-6914R					1	
33		11845500		UPPER KNIFE SUPPORT	FOR MO-6916R					1	
34		11845906		UPPER KNIFE	FOR MO-6916R					1	
35		SS9112310SP		SCREW 11/64-40L=23	FOR MO-6916R					1	
36		11565504		UPPER KNIFE PRESSER PLATE	FOR MO-6916R					1	
37		40011755		SYNCHRONIZER TURN STOPPER ASM.	FOR SC-380					1	
38		40025294		SYNCHRONIZER STOPPER ASM.						1	
39		40011756		SYNCHRONIZER STOPPER	FOR SC-380			*		1	
40		40011758		SYNCHRONIZER BASE COLLAR				*		1	
41		40011757		SYNCHRONIZER STOPPER BASE				*		1	
42		40022255		SYNCHRONIZER STOPPER				*		1	
43		SS5120810SP		SCREW				*		1	
44		SS9154540SP		SCREW 15/64-28L=45				*		1	

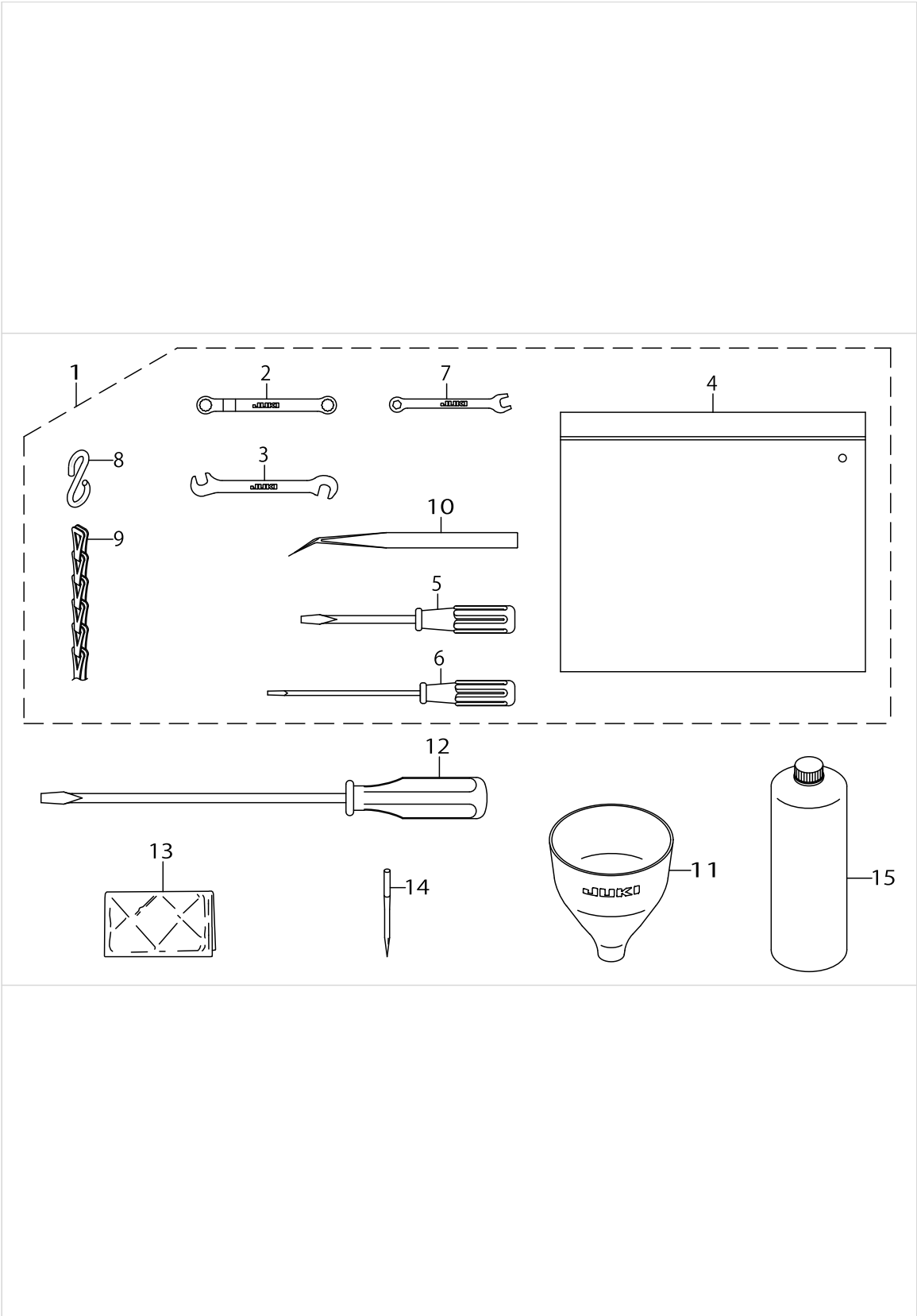
SPECIAL ORDER PARTS COMPONENTS



SPECIAL ORDER PARTS COMPONENTS

No.	Supply Code	Parts No.	Replacement	Parts name	Remarks	Choice	Step	Level	Cons	Qty	Rep. QTY
45		12120713		CHAIN LOOPER	FOR MO-6916R					1	
46		40036778		V_BELT SLIDER						1	

ACCESSORIES PARTS COMPONENTS



ACCESSORIES PARTS COMPONENTS

No.	Supply Code	Parts No.	Replacement	Parts name	Remarks	Choice	Step	Level	Cons	Qty	Rep. QTY
1		13160858		ACCESSORIE BAG ASM.						1	
2		13160007		RING SPANNER				*		1	
3		13160205		PIN SPANNER				*		1	
4		22932800		ACCESSORIE BAG				*		1	
5		22933105		SCREW DRIVER MIDDLE				*		1	
6		12347308		SCREW DRIVER (SMALL)				*		1	
7		13160106		SPANNER (5X6)				*		1	
8		13160304		S SHAPED HOOK				*		2	
9		13160403		CHAIN				*		1	
10		12288403		TWEEZERS				*		1	
11		13160601		FUNNEL						1	
12		22933006		SCREW DRIVER LARGE						1	
13		40048535		HEAD_COVER						1	
14		MDC270B1104		NEEDLE DCX27 #11-4EA.						1	
15		MML018900CA		JUKI MACHINE OIL 18						1	

LIST FOR INFORMATION OF CHANGE

As to the place changed, refer to the corresponding Rev.No.
 When previous parts(Obsoleted part)and new parts(Added parts)are
 not interchangeable with each other:
 In this case,even obsoleted parts(D.)can be ordered with the
 obsoleted part number,so select the parts with changed dates and
 place your orders.

変更箇所は、該当Rev.No.版をご参照ください。
 部品の互換性がない変更の場合は、削除された品番でも、ご注文できます。

29362506
 No.1348-06 Rev.No.

*A:Added parts追加部品/D:Obsoleted parts削除部品/E:Erratum訂正

* Rev. No.	Page 頁	Ref. No.	Parts No. 品番	* Rev. No.	Page 頁	Ref. No.	Parts No. 品番
D 05	2	41	132-01504	A 06	2	41	401-02307
				A 06	2	52	401-50131
D 05	4	17	CM-3002000-A1	A 06	4	17	CM-3002000-01
D 05	4	36	CM-3002001-B1	A 06	4	36	CM-3013000-01
D 05	8	38	122-81705	A 06	8	38	131-11505
D 05	8	39	122-81804	A 06	8	39	131-11604
D 05	8	40	122-81903	A 06	8	40	131-11703
D 05	10	23	122-82703	A 06	10	23	131-19409
D 05	10	24	122-82802	A 06	10	24	131-19508
D 05	12	10	121-18204	A 06	12	10	700-04244
D 05	14	21	123-08409	A 06	14	21	400-78183
D 05	16	18	123-11502	A 06	16	18	312-10503
D 05	18	59	131-72853	A 06	18	59	CS-1031210-SH
D 05	18	60	131-72804	A 06	18	60	CS-1031219-SH
D 05	18	62	131-72853	A 06	18	62	CS-1031210-SH
D 05	18	63	131-72804	A 06	18	63	CS-1031219-SH
				A 06	20	47	700-04672
				A 06	20	48	SS-8080310-TP
D 05	24	34	122-83909	A 06	24	34	131-28509
D 05	24	35	122-84006	A 06	24	35	131-28608
D 05	27	4	123-18101	A 06	27	4	312-16005
D 05	31	18	SK-2351600-SC	A 06	31	18	SK-2351601-SE
D 05	31	24	SK-2351600-SC	A 06	31	24	SK-2351601-SE
D 05	32	4	SK-2351600-SC	A 06	32	4	SK-2351601-SE
D 05	36	1	131-67556	A 06	36	1	401-06590
D 05	38	1	131-67754	A 06	38	1	401-06593
D 05	40	1	131-67655	A 06	40	1	401-06591
D 05	42	1	131-67853	A 06	42	1	401-06604
D 05	45	16	131-42500				

HOW TO MAKE USE OF THIS PARTS LIST

1.Explanation of codes

1)"*"mark.....means this part is changed from the previous parts book.

As to the details of the change, refer to the "List for information of change".

2)"#01".....refer to "Note" explanation at bottom of page.

2.Codes on the "Qty" column

• Each numeral indicates the number of parts required.

• "0.1" and "2.5" indicate the length (in meters) of the respective parts.

3.Parentheses mean that the corresponding part is a subpart that constructs an assembly part.

4.Dotted lines on the Figures indicate assembly parts.

1."注記"欄の記号説明

1) "*"印.....前回のパーツブックに比較して今回変更された部品を意味します。

変更内容は、"変更情報リスト"を参照してください。

2) "#01".....ページ下の"注記"の説明を参照してください。

2.数量欄の数字は、個数を表し、0.1、2.5等の数値は、長さ（単位メートル）を表します。

3.数量欄の（ ）は、組部品を構成している子部品であることを意味します。

4.イラストページの-----枠は、組構成であることを意味します。

NUMERICAL INDEX OF PARTS

PART NO	PAGE	REF NO.	PART NO	PAGE	REF NO.	PART NO	PAGE	REF NO.
10753309	6	39	11890001	34	71	12116901	30	29·51~ 54
11151065	64	26	11890100	50	37	12117008	18	18~22
11151909	64	31	11890308	50	38	12117008	30	29·51~ 54
11155108	60	19	11898400	28	28	12118303	20	9
11155108	62	32	11913407	24	29	12120150	10	38
11155207	60	20	11914405	24	30	12120705	36	44
11155207	62	33	11918109	56	6	12120713	76	45
11157567	64	2	11930500	42	15	12121612	36	34
11159001	64	18	11930708	42	25	12122362	10	30
11159365	64	14	11930807	42	26	12123360	10	34
11246501	64	38	11930906	42	16	12123709	74	7
11246600	64	37	11931706	42	24	12129318	56	17
11501301	74	24	11949104	74	28	12132106	10	43
11529005	28	24	11959400	60	21	12132619	48	15
11544707	74	5	11959558	62	15	12132700	48	20·26
11565504	52	30	11960655	64	1	12132809	48	20·26
11565504	74	36	11960754	64	13	12132908	48	24
11565603	52	32	11964509	74	14	12133005	48	27
11565702	52	31	11965704	74	18	12133104	48	22
11565702	74	6	11965753	74	17	12133211	48	11
11566809	24	28	11965803	74	19	12133708	48	28
11566809	52	12	11992005	74	15	12176004	34	69
11598000	52	24·27	11999307	34	70	12177903	50	41
11598000	74	30·33	12015301	50	39	12257002	16	64
11802006	48	32	12015400	50	40	12280103	10	9
11806304	48	12	12102208	48	16	12280707	14	2
11824075	18	32	12102810	48	23	12280756	14	1
11825304	22	51	12102950	48	31	12280905	14	24
11826005	28	25	12103107	48	29	12281002	14	25
11826104	28	26	12103701	48	18	12282604	18	16
11826203	28	27	12104550	74	23	12283008	18	25
11826401	22	52	12105458	74	22	12283602	44	31
11829751	36	9	12108403	10	25	12283701	44	32
11840303	56	8	12109104	10	28	12283800	44	33
11845500	52	24·27	12113205	38	1	12288403	78	10
11845500	74	30·33	12113817	38	4	12288700	38	33
11845807	52	25·28	12116604	18	18~22	12288908	48	7
11845807	74	31·34	12116604	30	29·51~ 54	12300356	2	11
11845906	52	25·28	12116703	18	18~22	12305504	26	64
11845906	74	31·34	12116703	28	29·51~ 54	12305611	42	1
11846607	48	14	12116703	28	29·51~ 54	12306007	24	14
11846805	48	33	12116802	18	18~22	12306106	38	10
11847605	74	13	12116802	30	29·51~ 54	12306353	38	12
11848405	74	16	12116802	30	29·51~ 54	12306551	38	13
11888104	34	68	12116901	18	18~22			

NUMERICAL INDEX OF PARTS

PART NO	PAGE	REF NO.	PART NO	PAGE	REF NO.	PART NO	PAGE	REF NO.
12306601	38	15	12320107	42	23	13104500	6	10
12306700	38	16	12320206	42	21	13104807	6	29
12306809	38	22	12320305	42	28	13104906	10	20
12308102	28	2	12330007	26	62	13107602	10	4
12308201	28	3	12340303	32	31	13107701	10	10
12308300	24	26	12340402	32	33	13107800	10	6
12308300	28	4	12340501	34	48	13108105	10	24
12308409	28	5	12340600	32	25	13108303	10	27
12308508	28	6	12340709	32	27	13108402	10	8
12308706	28	9	12340808	34	50	13110002	14	15
12308755	28	8	12341806	60	16	13110101	14	5
12308805	28	10	12341806	62	25	13110200	14	22
12308904	28	13	12341905	60	5	13110259	14	21
12309605	24	6	12341954	60	4	13110606	14	4
12309704	24	7	12342200	36	18	13110903	14	26
12309902	24	9	12342309	36	1	13111000	14	27
12310009	24	10	12343406	10	23	13111109	14	31
12310504	24	15	12347308	78	6	13111505	14	38
12310801	24	19	12347555	44	38	13111604	14	39
12310850	24	18	13100805	2	16	13111703	14	40
12310900	24	20	13100904	2	15	13115407	38	8
12311007	24	22	13101001	2	21	13116207	38	23
12311106	24	23	13101209	2	18	13116306	38	20
12311205	28	15	13101308	2	30	13116603	38	24
12311809	28	20	13101407	2	19	13116702	42	2
12311908	28	21	13101506	2	25	13116900	38	21
12312005	28	22	13101605	2	26	13117007	38	19
12312104	28	23	13101704	2	28	13117106	38	34
12315008	56	1	13101803	2	32	13118054	18	1
12315800	56	27	13101902	2	36	13119300	18	14
12315909	56	3	13102058	2	35	13119409	18	23
12316006	56	10	13102207	4	45	13119508	18	24
12316105	56	11	13102405	2	3	13119706	18	39
12316402	26	68~70	13102504	6	20	13119805	18	42
12316501	26	68~70	13102553	6	19	13119904	18	33
12316600	26	68~70	13102603	6	23	13120001	18	41
12316709	26	71~73	13102702	50	46	13120506	18	43
12316808	26	71~73	13102900	6	38	13120605	18	2
12316907	26	71~73	13103650	2	34	13120803	20	33
12317004	56	9	13103700	4	51	13120902	20	29
12317103	26	74	13103809	2	13	13121009	20	31
12317202	26	75	13103908	6	24	13121058	20	30
12318002	52	2	13104104	2	1	13121108	22	75
12320008	42	27	13104203	2	2	13121207	20	43
12320057	42	20	13104302	2	44	13121256	20	42

NUMERICAL INDEX OF PARTS

PART NO	PAGE	REF NO.	PART NO	PAGE	REF NO.	PART NO	PAGE	REF NO.
13121306	20	40	13131206	32	37~41	13144100	56	39
13121405	20	26	13131305	32	37~41	13144209	56	40
13121603	22	49	13131404	32	37~41	13147301	52	9
13121900	20	45	13131503	32	37~41	13147400	52	7
13122007	16	49~52	13131602	32	37~41	13150503	52	17
13122007	52	13~16	13131701	32	44	13150602	52	18
13122106	16	49~52	13131800	34	46	13150701	50	45
13122106	52	13~16	13131909	34	45	13150800	52	11
13122205	16	49~52	13132006	34	47	13151006	52	6
13122205	52	13~16	13132501	32	20	13151105	48	35
13122304	16	49~52	13132550	32	19	13151204	48	5
13122304	52	13~16	13132600	32	23	13155007	60	15
13122403	18	5	13132907	32	35	13155106	62	17
13122452	18	4	13133053	32	24	13155205	62	18
13122700	20	18	13137559	44	2	13155304	62	27
13122809	20	24	13137609	44	12	13155403	60	13
13123302	20	39	13137708	44	8~10	13155403	62	16
13123302	38	44	13137807	44	5~7	13155502	60	10
13125901	36	13	13137906	44	13	13155502	62	22
13125950	36	12	13138003	44	16	13155601	60	8
13126008	36	4	13138102	44	14	13155601	62	20
13126503	36	19~22	13138201	44	27	13155700	60	9
13126602	36	19~22	13138359	44	3	13155700	62	21
13126701	36	19~22	13138409	44	8~10	13155759	60	7
13126800	36	19~22	13138508	44	5~7	13155759	62	19
13126909	36	3	13138656	44	4	13155858	62	5
13127006	36	17	13138706	44	8~10	13155908	62	8
13127204	36	23~26	13138805	44	5~7	13156005	62	9
13127303	36	23~26	13138904	44	11	13156104	62	10
13127402	36	23~26	13139555	44	20	13156203	62	6
13127501	36	23~26	13139605	44	22	13156302	62	7
13128103	36	16	13139704	44	25	13156500	60	14
13128509	44	34	13139803	44	24	13160007	78	2
13128608	44	35	13139902	44	23	13160106	78	7
13128707	44	36	13140009	44	21	13160205	78	3
13129259	44	37	13142500	56	25	13160304	78	8
13129309	32	21	13142609	16	48	13160403	78	9
13129309	36	7	13142609	56	38	13160601	78	11
13129903	36	6	13142955	56	33	13160700	6	42
13129952	36	5	13143300	56	29	13160858	78	1
13130109	36	42	13143417	56	43	13160908	60	2
13131008	32	5	13143508	58	44	13160908	62	2
13131057	32	4	13143607	58	47	13161005	60	1
13131107	32	8	13143706	58	48	13161005	62	1
13131156	32	7	13144001	56	30	13161153	60	3

NUMERICAL INDEX OF PARTS

PART NO	PAGE	REF NO.	PART NO	PAGE	REF NO.	PART NO	PAGE	REF NO.
13161153	62	26	13201009	6	12	13216106	20	19
13162557	54	6	13201108	6	28	13216205	20	21
13162565	54	7	13201207	6	33	13216304	20	23
13162573	54	8	13201306	6	32	13216601	18	28
13162805	54	18	13201405	6	16	13216700	18	29
13162904	54	20	13201454	6	15	13216809	18	26
13163001	54	21	13201603	2	42	13217351	22	47
13163159	54	15	13204003	6	35	13217401	22	57
13163167	54	16	13205406	10	19	13217500	22	58
13163175	54	17	13207709	14	18	13217708	20	36
13163456	54	1	13207808	14	20	13217807	18	12·31
13163704	54	25	13208004	16	68	13217906	18	12·31
13163803	54	2	13208103	16	70	13218003	22	54
13163902	54	3	13208301	14	17	13218052	22	50
13170006	6	9	13208350	14	16	13218102	22	56
13170105	6	21	13208608	16	46	13220009	36	15
13170204	6	11	13208707	14	30	13221403	34	72~74
13170204	20	34	13208806	14	28	13221502	34	72~74
13170303	10	14	13208905	14	29	13221601	34	72~74
13170402	38	37	13209101	14	9~11	13221700	32	13~15
13170501	22	48	13209200	14	9~11	13221809	32	13~15
13170600	32	16	13209309	14	9~11	13221908	32	13~15
13170808	56	34	13209408	14	12~14	13222203	34	52
13171004	6	22	13209507	14	12~14	13222302	34	53
13172507	18	10	13209606	14	12~14	13222401	32	29
13172556	18	9	13209705	14	19	13222609	32	2
13172705	16	55	13209804	14	7	13222708	32	3
13172754	16	54	13209853	14	6	13225008	44	1
13172903	2	38	13212709	38	35	13225107	44	18·19
13175203	16	63	13212808	38	41	13228655	56	23
13191309	22	70	13212915	38	43	13228804	58	55
13191408	22	71	13213012	20	38	13228903	58	59
13191606	22	64	13213012	38	42	13229000	58	61
13192000	22	65	13213301	38	39	13229109	58	57
13192406	22	66	13215108	20	2	13229307	58	53
13192802	22	67	13215157	20	1	13229406	58	58
13193206	22	68	13215207	20	3	13230107	58	45
13193602	22	69	13215306	20	4	13232657	48	9·10
13200209	6	1	13215405	20	5	13232756	48	9·10
13200308	6	2	13215504	20	6	13235304	48	19
13200407	6	5	13215603	20	7	13240007	4	48~50
13200605	6	6	13215702	20	11	13240106	4	48~50
13200704	2	7	13215801	20	17	13240205	4	48~50
13200803	2	8	13215900	20	13	13244009	16	47
13200902	22	77	13216007	20	14	13244108	18	30

NUMERICAL INDEX OF PARTS

PART NO	PAGE	REF NO.	PART NO	PAGE	REF NO.	PART NO	PAGE	REF NO.
13270400	6	43	31202807	14	36	40085784	66	12
13270509	6	44	31204258	38	7	40085784	68	10
13272505	14	43	31204407	26	63	40085784	70	13
13272554	14	42	31207301	28	1	40085784	72	13
13273701	38	2	31207905	28	7	40085785	66	6
13274204	38	11	31208408	28	14	40085785	68	14
13274253	38	9	31208507	24	1	40085785	70	7
13275003	58	52	31208606	24	2	40085785	72	7
13275102	58	51	31208705	24	3	40085786	66	17
13275151	58	50	31208804	24	4	40085786	70	18
13275201	58	54	31208903	24	5	40085786	72	18
13276209	24	12	31210305	28	16	40085787	66	2
13276308	24	11	31210404	28	17	40085787	70	5
13276407	24	16	31210503	28	18	40085787	72	5
13276506	24	17	31210750	28	19	40085788	66	16
13276704	24	13	31211303	24	24	40085788	68	21
13276803	26	81	31211402	24	25	40085788	70	17
13276902	58	67	31216005	52	4	40085788	72	17
13277009	58	68	40010804	34	55	40085789	66	15
13277157	58	69	40010805	36	41	40085789	68	12
13277207	26	79	40010885	16	62	40085789	70	16
13277405	24	8	40011234	32	12	40085789	72	16
13277405	52	5	40011753	38	32	40085790	66	14
13277900	26	60	40011755	74	37·38	40085790	68	22
13278007	26	61	40011756	74	39	40085790	70	15
13278700	42	6	40011757	74	41	40085790	72	15
13278759	42	4	40011758	74	40	40085791	66	13
13278809	42	14	40015637	32	10·11	40085791	68	23
13278858	42	12	40016762	56	12	40085791	70	14
13278908	42	13	40016763	56	20	40085791	72	14
13343009	56	4	40016841	32	10·11	40085792	66	7
13765607	58	70	40017714	12	47	40085792	68	16
22901805	6	37	40017824	10	41	40085792	70	8
22921407	44	26	40018045	56	2	40085792	72	8
22924708	6	8	40022255	74	42	40085793	66	5
22932800	78	4	40023234	10	2	40085793	68	15
22933006	78	12	40023235	10	1	40085793	70	6
22933105	78	5	40025294	74	37·38	40085793	72	6
23630007	16	45	40034897	38	31	40085794	66	4
23630007	56	71	40035711	12	48	40085794	68	4
23630007	58	71	40036778	76	46	40085794	70	3
31018005	58	60	40037392	8	49	40085794	72	3
31200504	8	46	40040065	8	50	40085795	66	3
31202609	14	34	40048535	78	13	40085795	68	3
31202708	14	35	40078183	24	21	40085795	70	4

NUMERICAL INDEX OF PARTS

PART NO	PAGE	REF NO.	PART NO	PAGE	REF NO.	PART NO	PAGE	REF NO.
40085795	72	4	40106591	70	1	BP30000010R	58	62
40085796	66	20	40106593	68	1	CM300200001	2	40
40085796	68	13	40106604	72	1	CM300200001	6	17
40085796	70	21	40150131	4	52	CM301300001	6	36
40085796	72	22	70004244	20	10	CM600100101	8	51
40096325	66	21	70004672	40	47	CQ200000000	16	44
40096325	68	11	B1211804000	10	18	CQ200000000	34	57-58
40096325	70	22	B1212704000	10	17	CQ202000000	16	58
40096325	72	23	B1215804000	10	21-22	CQ202000000	26	80-82
40096326	66	19	B1606704000	18	13	CQ202000000	34	57-58
40096326	68	8	B1612804A00	18	35~38	CQ252000000	16	60
40096326	70	23	B1612804A00	26	31-76~78	CQ252000000	26	80-82
40096326	72	21	B1612804B00	18	35~38	CS0400671SD	74	26
40096327	66	18	B1612804B00	26	31-76~78	CS1001011SH	24	33
40096327	68	5	B1612804B00	26	31-76~78	CS1001011SH	28	33
40096327	70	20	B1612804C00	18	35~38	CS1031210SH	34	59-62
40096327	72	20	B1612804C00	24	31-76~78	CS1031219SH	34	60-63
40102307	2	41	B1612804C00	24	31-76~78	CS1111019SH	24	36
40106574	68	7	B1612804D00	18	35~38	CS1111019SH	52	22
40106574	70	19	B1612804D00	26	31-76~78	CS111101HSH	24	35
40106574	72	19	B1646704000A	28	30	CS111101HSH	52	21
40106575	68	2	B2024771000	24	32	D8113555B00	64	33
40106575	70	2	B2024771000	52	1	D8204555D00	60	22
40106575	72	2	B2105816000	36	11	D8204555D00	62	34
40106576	66	10	B2119816A00	36	27~31	EA9500B0100	16	69
40106576	68	17	B2119816B00	36	27~31	GPF06060000	64	15
40106576	70	11	B2119816C00	36	27~31	GPF06070000	64	16
40106576	72	11	B2119816D00	36	27~31	GPF06080000	64	17
40106577	68	6	B2119816E00	36	27~31	MDC270B1100	16	66
40106577	72	24	B2120816000	36	10	MDC270B1104	78	14
40106578	68	9	B2202816000	44	39	MML018900CA	78	15
40106578	72	25	B2402716000	46	40	NM6040000SN	24	38
40106579	66	11	B2519804000	74	8	NM6040002SC	66	25
40106579	68	18	B2519814000	74	9	NM6040002SC	68	30
40106579	70	12	B2521804000	74	10	NM6040002SC	70	27
40106579	72	12	B2530704000	34	56	NM6040002SC	72	32
40106580	66	9	B3525704000	26	52	NM6050001SE	66	26
40106580	68	20	B3534352000	56	7	NM6050001SE	68	29
40106580	70	10	B71140120A0	64	25	NM6050001SE	70	28
40106580	72	10	B81517710A0	64	27	NM6050001SE	72	31
40106581	70	9	B8152771000	64	39	NM6060003SC	38	25
40106581	72	9	B8153771000	64	40	NM6080001SE	64	21
40106582	66	8	B9112804000	74	3	NM6080011SF	24	39
40106582	68	19	B91351230B0	74	4	NM6080600SM	62	29
40106590	66	1				NM6080721SE	64	32

NUMERICAL INDEX OF PARTS

PART NO	PAGE	REF NO.	PART NO	PAGE	REF NO.	PART NO	PAGE	REF NO.
NS6090310SN	2	5	SM1040801SC	6	13	SM6061402TP	18	6
NS6090310SP	60	12	SM4030455SP	20	16	SM6061610SC	28	46
NS6090310SP	62	24	SM4040655SP	2	31	SM6061802TP	56	21
NS6110310SP	56	32	SM4040655SP	32	30	SM8040302TP	2	39
NS6110420SP	4	46	SM4040855SP	2	43	SM8040302TP	74	27
NS6110420SP	38	26	SM4040855SP	6	14	SM8040402TP	38	38
NS6150430SP	26	65	SM4040855SP	10	26	SM8050412TP	38	30
NS6240630SE	60	23	SM4040855SP	14	41	SM8050412TP	56	5
NS6240630SE	62	40	SM4040855SP	20	35	SM8050502TP	56	42
NS6620320SP	18	40	SM4040855SP	54	5	SM9051203CP	24	41
NS6680410SP	6	27	SM4041055SP	2	17	SM9061203SE	64	34
PS0150082KH	28	12	SM4041055SP	22	60	SM9061203SE	74	20
PS0200052KH	44	28	SM4041201SC	66	22	SM9061250TP	24	43
PS0250062KH	36	32	SM4041201SC	68	24	SM9061250TP	28	44
PS0300062KH	32	18	SM4041201SC	70	24	SM9061250TP	52	3
R4200J6ED00	48	1	SM4041201SC	72	26	SM9082023SE	64	28
R4305J6EE00	48	2	SM4041455SN	18	27	SM9082513CF	62	28
R4508J6ED00	48	3	SM4042501SC	66	23	SQ0000451MZ	58	63
RE0300000K0	20	37	SM4042501SC	68	26	SQ1110401MZ	56	15
RE0300000K0	28	37	SM4042501SC	70	26	SQ1110451MZ	56	36
RE0300000K0	38	18	SM4042501SC	72	27	SQ1150441SD	58	64
RE0400000K0	24	40	SM4050855SP	10	7	SQ1150451MZ	56	37
RE0400000K0	28	38	SM4050855SP	46	44	SQ1150454SD	56	26
RE0500000K0	20	41	SM4051001SE	68	27	SS1060610SP	20	20
RE0900000K0	28	39	SM4051001SE	72	28	SS2090520SL	2	4
RO068190100	28	40	SM4051055SP	8	45	SS2110710TP	24	44
SB110000300	10	21-22	SM4051055SP	48	8	SS2110910SL	48	4
SD0280401SL	16	61	SM4051255SP	6	7	SS3090610SP	2	6
SD0600341TP	46	42	SM4051255SP	20	25	SS3090610SP	32	51
SD0720271SP	22	59	SM4051405SE	66	24	SS3090610SP	34	51
SD0720332SP	36	40	SM4051405SE	68	25	SS4060310SP	52	34
SD0720803TH	36	33	SM4051405SE	70	25	SS4060310SP	74	29
SK2351601SE	60	24	SM4051405SE	72	29	SS4080415SP	42	29
SK2351601SE	62	4	SM4051601SC	56	35	SS4080620TP	22	72
SK3311500SC	60	25	SM4060801SE	58	72	SS4080620TP	36	36
SK3311500SC	62	35	SM6030510SC	28	43	SS4080620TP	74	11
SK3412001SE	6	40	SM6040600SP	20	22	SS4090415SP	46	48
SK3412001SE	68	28	SM6051202TP	18	34	SS4090515SP	20	27
SK3412001SE	72	30	SM6051202TP	22	55	SS4090515SP	30	47
SK3513200SC	60	26	SM6051202TP	36	14	SS4090615SP	34	49
SK3513200SC	62	31	SM6061200SP	32	17	SS4091015SP	2	14
SL9061291SE	64	24	SM6061200SP	38	27	SS4091015SP	54	22
SL9082091SE	64	22	SM6061202TP	10	37	SS4110515SP	14	33
SM0030301SN	28	42	SM6061210SC	28	45	SS4110515SP	46	49
SM1040801SC	2	10	SM6061402TP	14	8	SS4110615SP	44	30

NUMERICAL INDEX OF PARTS

PART NO	PAGE	REF NO.	PART NO	PAGE	REF NO.	PART NO	PAGE	REF NO.
SS4110615SP	56	19	SS6121020SP	58	46	SS8080322TP	74	2
SS4112215SP	56	13	SS6121220TP	18	3	SS8090530TP	16	59
SS4120615SP	2	12	SS6151440SP	48	34	SS8110410TP	2	24
SS4151215SP	6	18	SS6660710TP	30	49	SS8110410TP	18	11
SS5080212TP	10	3	SS6661110SP	20	46	SS8110410TP	20	44
SS5090610SP	60	11	SS7060310SP	20	12	SS8110410TP	44	17
SS5090610SP	62	23	SS7060310SP	58	49	SS8110520TP	56	28
SS5110710SP	6	31	SS7060510SP	42	3	SS8151150TP	10	5
SS5110710SP	60	17	SS7060510SP	50	43	SS8660330SP	20	32
SS5110710SP	62	38	SS7060610SP	34	54	SS8660330SP	24	37
SS5120810SP	74	43	SS7080520SP	42	18	SS8660330SP	52	23
SS5150510SP	46	41	SS7090410SP	26	49	SS8660530TP	24	34
SS6060440TP	32	1	SS7090510SP	50	42	SS8660530TP	28	34
SS6080320SP	18	15	SS7090530SP	2	20	SS8660610TP	16	56
SS6080340SP	22	78	SS7090610SP	2	22	SS8660610TP	34	61·64
SS6080410SP	22	53	SS7090610SP	50	44	SS9090410TP	32	43
SS6080410SP	32	28	SS7090610SP	54	19	SS9090610TP	30	50
SS6080410SP	74	12	SS7090611SL	6	34	SS9090610TP	32	42
SS6080720SP	14	23	SS7090710SP	48	25	SS9090823TP	52	19
SS6081210TP	10	42	SS7090850SP	32	26	SS9111010SP	22	73
SS6090420SP	62	11	SS7091410SP	2	33	SS9111010SP	48	21
SS6090620TP	20	8	SS7110510SP	2	27	SS9111050SP	22	74
SS6090620TP	34	65	SS7110510SP	38	14	SS9111610SP	52	26·29
SS6090620TP	36	37	SS7110710SL	44	29	SS9111610SP	74	32·35
SS6090630TP	34	67	SS7110710SP	2	29	SS9112310SP	52	26·29
SS6090630TP	60	27	SS7110720SP	48	13	SS9112310SP	74	32·35
SS6090630TP	62	37	SS7110720TP	36	39	SS9151210TP	26	66
SS6090670TP	14	37	SS7110740TP	26	50	SS9151210TP	32	22
SS6090670TP	42	22	SS7110840SP	10	46	SS9151210TP	36	8
SS6090810SP	56	14	SS7110840SP	12	46	SS9151210TP	38	6
SS6090920SP	36	43	SS7110840SP	32	36	SS9154540SP	74	44
SS6110420TP	24	45	SS7110840SP	38	28	SS9681610TP	10	12
SS6110520TP	24	46	SS7110840SP	50	36	ST60308210A	62	13
SS6110610TP	8	47	SS7110840SP	54	24	TA0180401M0	26	54
SS6110610TP	48	17	SS7110910TP	8	48	TA0340201R0	24	55
SS6110710TP	26	47	SS7110910TP	18	17	TA0340201R0	26	55
SS6110710TP	36	38	SS7111410TP	10	40	TA0400301M0	56	41
SS6110710TP	38	5	SS7111410TP	38	29	TA0800501R0	26	56
SS6110820TP	26	48	SS7111810TP	10	44	TA0800504R0	22	76
SS6111040SP	52	8	SS7111810TP	28	41	TA0950806R0	54	4
SS6111440SP	4	47	SS7150740SP	38	45	TA1030402R0	18	7
SS6111610SP	52	10	SS7151120SP	48	30	TA1871602R0	6	41
SS6120620TP	58	66	SS7161040SP	38	3	TA2050416R0	18	8
SS6121020SP	26	67	SS8080310TP	16	67	WP0370316SD	52	20
SS6121020SP	38	40	SS8080310TP	40	48	WP0370316SD	62	14

NUMERICAL INDEX OF PARTS

PART NO	PAGE	REF NO.
WP0371016SD	20	28
WP0371016SD	28	35
WP0371026SD	42	19
WP0371026SD	54	23
WP0371036SD	26	57
WP0451026SH	26	58
WP0460556SD	22	61
WP0460556SD	28	36
WP0460556SD	40	46
WP0480856SP	22	62
WP0531001SC	66	28
WP0531001SC	68	31
WP0531001SC	70	30
WP0531001SC	72	33
WP0621016SD	22	63
WP0621016SD	30	48
WP0621016SH	26	59
WP0651056SD	56	22
WP0671016SE	64	36
WP0751576SD	6	25
WP0764016SP	10	13
WP0850002SC	62	30
WP0871602SE	64	30
WP1002036SE	60	28
WP1002036SE	62	39
WP1612616SE	66	27
WP1612616SE	68	32
WP1612616SE	70	29
WP1612616SE	72	34
WS0510002KN	66	29
WS0510002KN	68	33
WS0510002KN	70	31
WS0510002KN	72	35
WS0621210KR	64	35
WS0822010KP	6	26
WS0861410KR	64	29
WS1002560KR	60	29
WS1002560KR	62	36
WZ0420350KP	2	37
WZ0420350KP	74	25
WZ0640312K0	46	43
WZ0850302K0	6	30
WZ2640310KH	10	15