

MODEL : LBH-1790 SERIES

List No : 1346-10

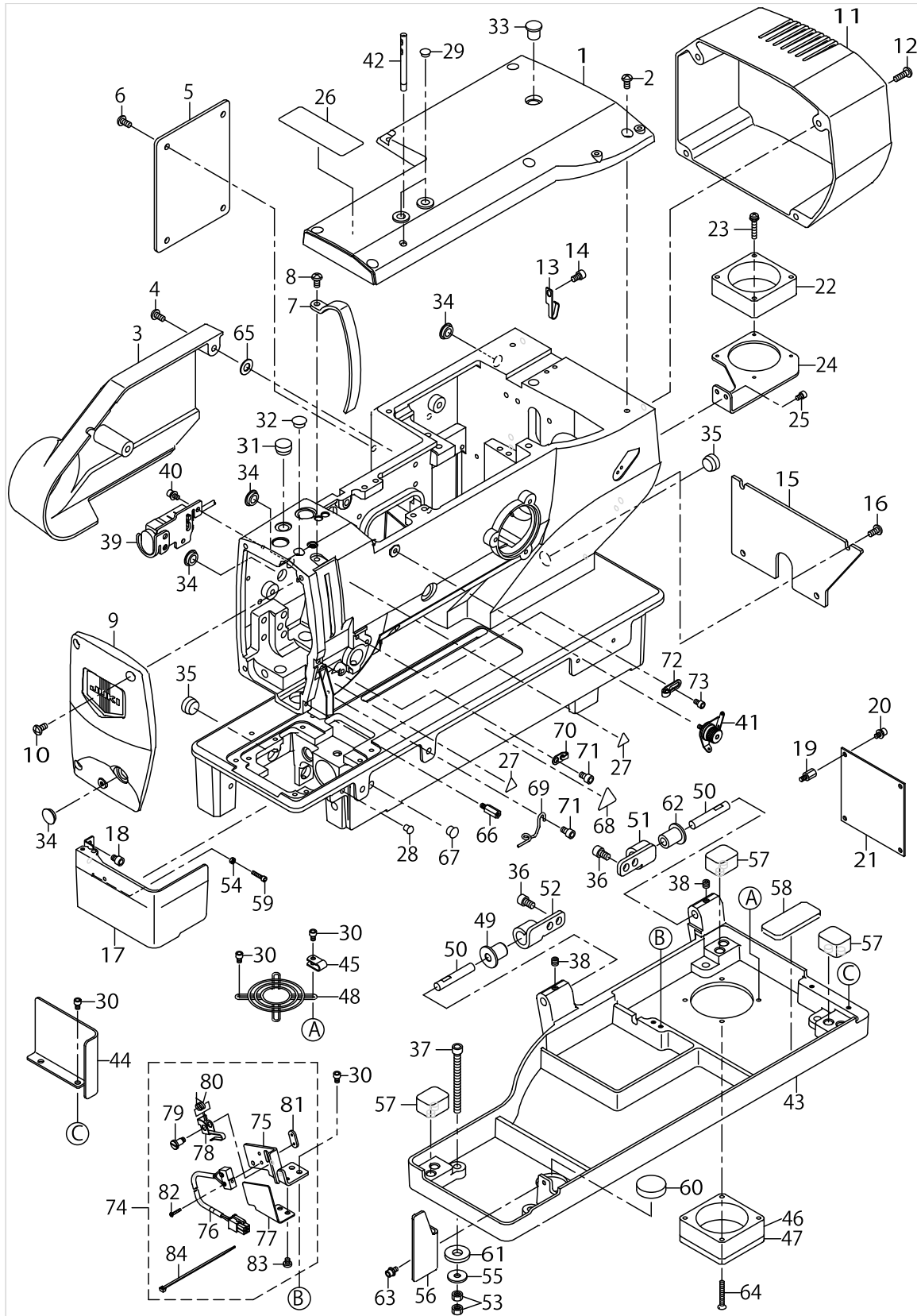
PARTS LIST

Published:05/12/2017

CONTENTS

FRAME & MISCELLANEOUS COVER COMPONENTS (1)	1
FRAME & MISCELLANEOUS COVER COMPONENTS (2)	5
MAIN SHAFT COMPONENTS	9
HOOK DRIVING SHAFT COMPONENTS	13
PRESSER & FEED COMPONENTS (FOR LBH-1790S, LBH-1792S)	15
PRESSER & FEED COMPONENTS (FOR LBH-1795S)	19
NEEDLE BAR ROCKING COMPONENTS	21
NEEDLE THREAD TRIMMER COMPONENTS	23
BOBBIN THREAD TRIMMER COMPONENTS	27
CLOTH CUTTING KNIFE COMPONENTS	31
TABLE COMPONENTS	35
CONTROL BOX COMPONENTS	39
OPERATION BOX COMPONENTS	45
OPERATION PANEL COMPONENTS	47
WIRING DIAGRAM	49
ACCESSORIE PARTS COMPONENTS	53
THREAD STAND COMPONENTS	55
SPECIAL SPECIFICATIONS COMPONENTS (1)	57
SPECIAL SPECIFICATIONS COMPONENTS (2)	59
EXCHANGING PARTS	61
LIST FOR INFORMATION OF CHANGE	63
HOW TO MAKE USE OF THIS PARTS LIST	64

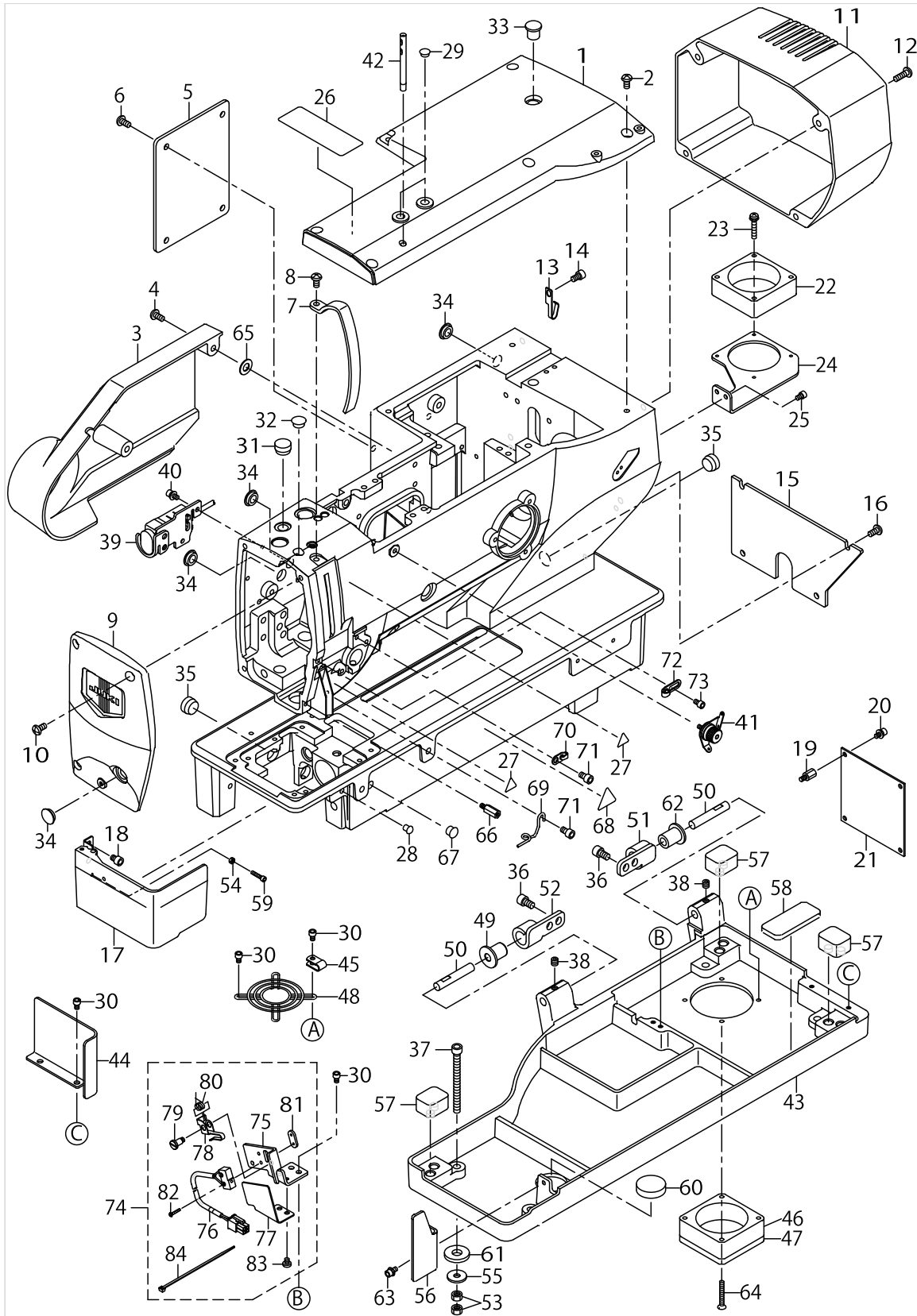
FRAME & MISCELLANEOUS COVER COMPONENTS (1)



FRAME & MISCELLANEOUS COVER COMPONENTS (1)

No.	Supply Code	Parts No.	Replacement	Parts name	Remarks	Choice	Step	Level	Cons	Qty	Rep. QTY
1	R	40004153	40150987	UPPER_COVER						1	1.00
2		SM4051055SP		SCREW						6	
3		40004154		LEFT_COVER						1	
4		SM4051055SP		SCREW						2	
5		40004155		LEFT_COVER_B						1	
6		SM4051055SP		SCREW						4	
7		40004157		THREAD_TAKE_UP_LEVER_COVER						1	
8		SM4051055SP		SCREW						1	
9		40004156		FRONT_COVER						1	
10		SM4051055SP		SCREW						3	
11		40004159		MOTOR_COVER						1	
12		SM4051655SP		SCREW M5 L=16						4	
13		26230409		LUBRICATING OIL WICK STOPPER						1	
14		SM6050802TP		SCREW M5X0.8 L=8						1	
15		40004161		REAR_COVER						1	
16		SM4051055SP		SCREW						4	
17		13900956		HOOK OIL SHIELD COVER COMPL.						1	
18		SM6050652TP		HEXAGON SOCKET HEAD SCREW M5X6						2	
19		HX003390000		STUD						4	
20		SL6040892TN		SCREW						4	
21		40122600		INT PCB ASSY						1	
22		40119461		HEAD FAN MOTOR A ASSY						1	
23		SL4042581SC		SCREW						2	
24		40004367		FAN_FITTING_PLATE						1	
25		SM6040602TP		SCREW M4 L=6						2	
26		CM301300001		SAFETY LABEL						1	
27		CM300200001		ATTENTION SEAL						2	
28		TA0550604R0		RUBBER PLUG						1	
29		TA0750404R0		PLUG D=7.5 L=3.5						2	
30		SM6040602TP		SCREW M4 L=6						6	
31		TA1550902R0		PLUG						1	
32		TA1050504R0		RUBBER PLUG						1	
33		TA1120804R0		RUBBER PLUG						1	
34		TA1250406R0		RUBBER PLUG D=12.5 L=4						4	
35		TA1550902R0		PLUG						2	
36		SM6061002TP		SCREW M6 L=10	ACCESSO- RIE PARTS					4	
37		SM6067052TP		HEXAGON BOLT						1	
38		SM80606A2TP		SCREW M6 L=6						2	
39		32002354		SWITCH ASM.						1	
40		SL6040892TN		SCREW						2	
41	R	22528764	40050700	PRE-TENSION CONTROLLER ASM.						1	1.00
42		22502504		THREAD GUIDE BAR	ACCESSO- RIE PARTS					1	
43		40004158		BED_BASE						1	
44		40004160		BED_REAR_COVER						1	
45		HX00150000A		CABLE CLAMP						1	

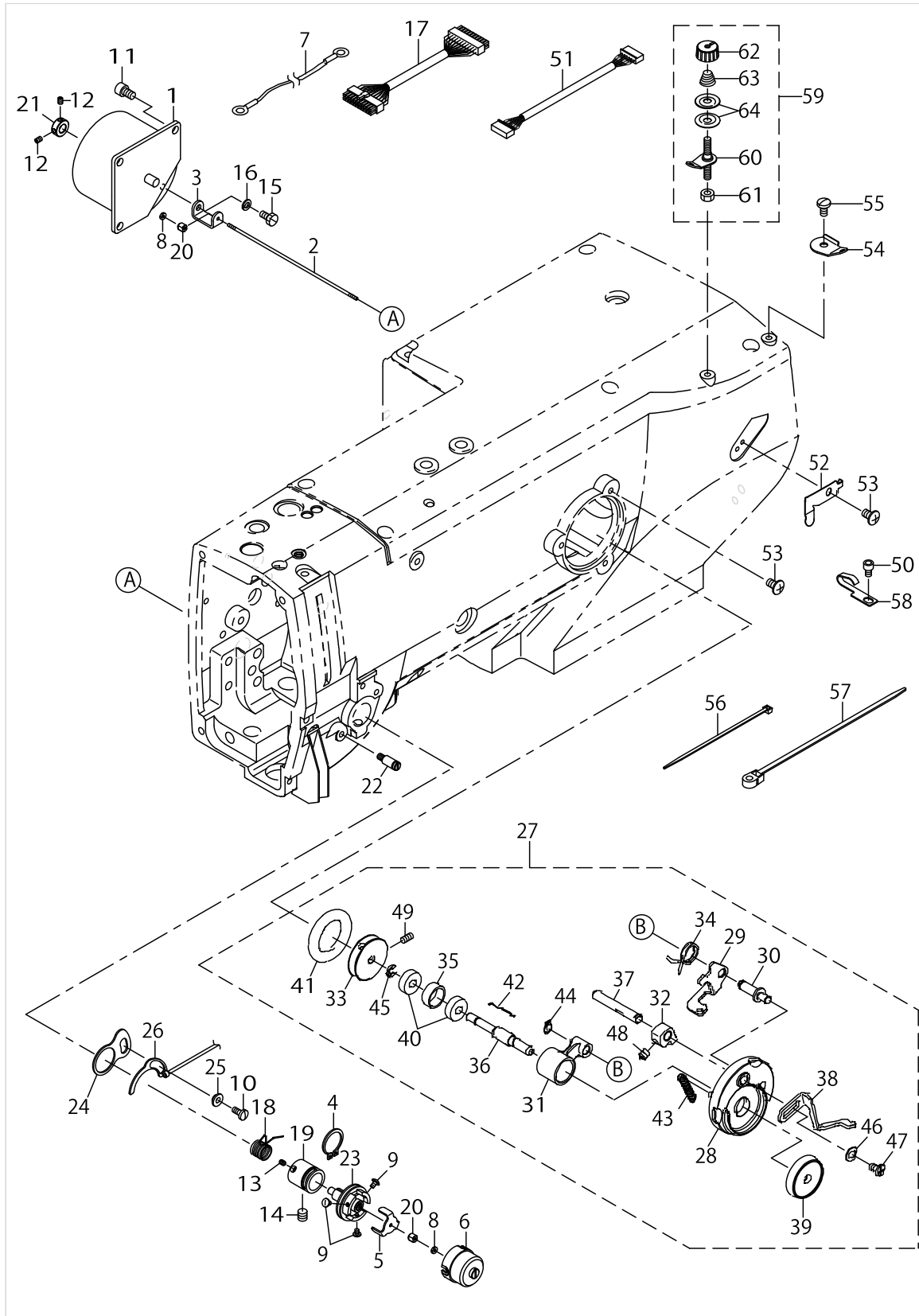
FRAME & MISCELLANEOUS COVER COMPONENTS (1)



FRAME & MISCELLANEOUS COVER COMPONENTS (1)

No.	Supply Code	Parts No.	Replacement	Parts name	Remarks	Choice	Step	Level	Cons	Qty	Rep. QTY
46		40005403		HEAD FAN MOTOR B ASS'Y						1	
47		HM000550010		FILTER						1	
48		HM0003800A0		FINGER GUARD						1	
49		40006314		HINGE_BUSH	ACCESSO- RIE PARTS					1	
50		13700604		HINGE PIN						2	
51		13700406		HINGE PLATE A	ACCESSO- RIE PARTS					1	
52		13700505		HINGE PLATE B	ACCESSO- RIE PARTS					1	
53		NM6060001SD		NUT M6						2	
54		NM6030001SD		NUT M3X0.5						1	
55		WP0612056SD		WASHER 6.1X18.5X2						1	
56		13943303		OIL SHIELD	ACCESSO- RIE PARTS					1	
57		40008977		RUBBER C						3	
58		40008978		RUBBER D						1	
59		SM6031402TP		SCREW						1	
60		E2002855000		Z STOPPER RUBBER						1	
61		D6056555B00		RUBBERCUSHION(B)						1	
62		13700703		RUBBER HINGE	ACCESSO- RIE PARTS					1	
63		SL6040892TN		SCREW	ACCESSO- RIE PARTS					1	
64		SM1043001SP		SCREW M4X0.7 L=30						2	
65		B1116804000		CLOTH PLATE WASHER						2	
66		E3724715000		VCS STUD A						1	
67		TA0850604R0		RUBBER PLUG						1	
68		CM300200003		ATTENTION LABEL						1	
69		13705405		NEEDLE BAR THREAD GUIDE						1	
70		13922208		TAKE-UP THREAD GUIDE B						1	
71		SM6050802TP		SCREW M5X0.8 L=8						2	
72		40009037		TAKE-UP THREAD GUIDE A						1	
73		SM6040602TP		SCREW M4 L=6						1	
74		40003495		SAFETY SWITCH ASS'Y						1	
75		14516603		SAFETY SW BASE				*		1	
76		40003496		SAFETY SWITCH CORD ASS'Y				*		1	
77		14516900		SAFETY SWITCH COVER				*		1	
78		23638109		SAFETY SWITCH ARM				*		1	
79		23638307		SAFETY SWITCH ARM SHAFT				*		1	
80	R	23638208	23638059	SAFETY SWITCH SPRING				*		1	1.00
81	R	23638406	23638059	SAFETY SWITCH NUT				*		1	1.00
82		SM4021201SC		SCREW M2 L=12				*		2	
83	R	SS7090520SP	SS7090520TP	SCREW 9/64-40 L=4.5				*		2	1.00
84		EA9500B0100		CABLE BAND				*		1	

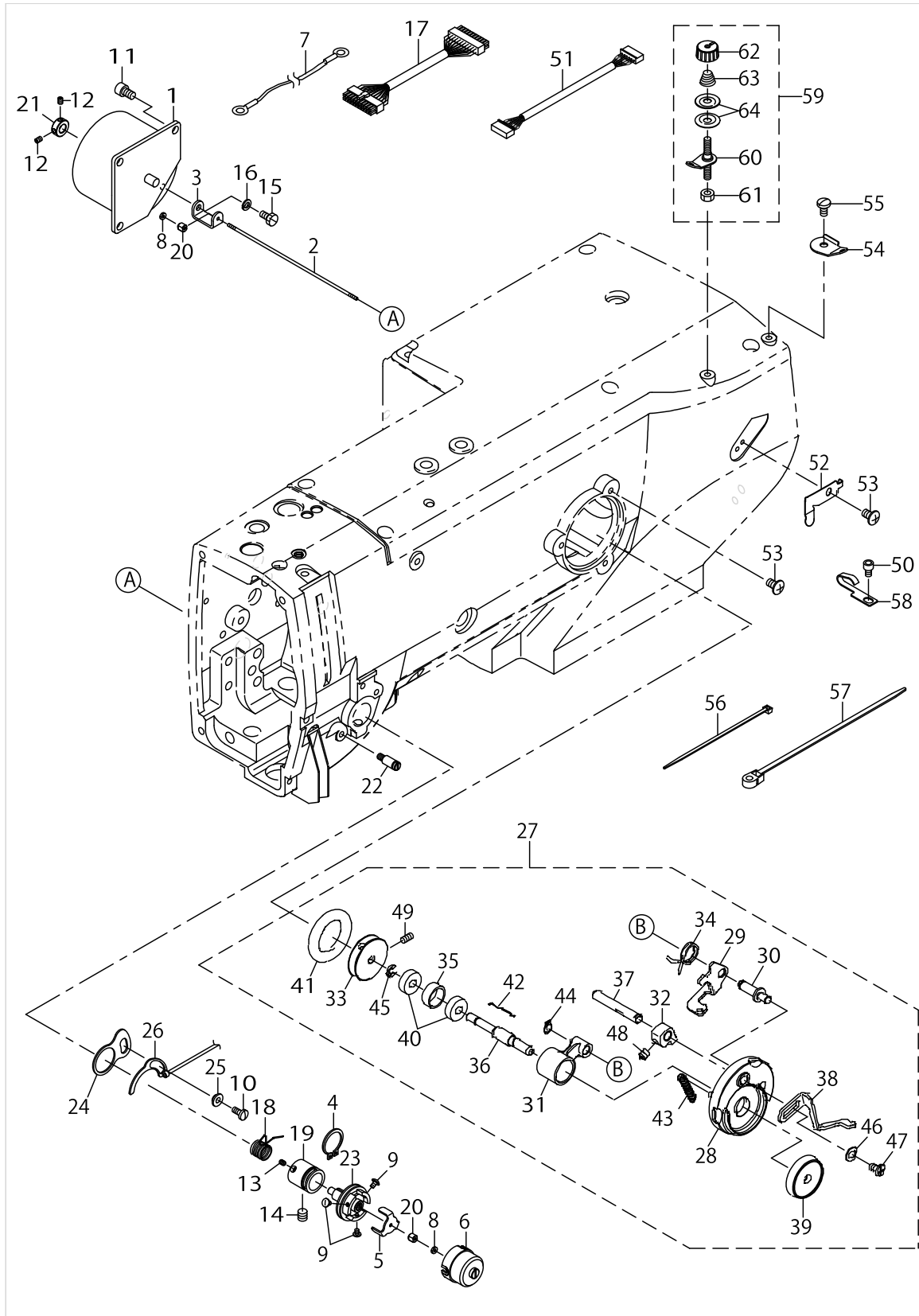
FRAME & MISCELLANEOUS COVER COMPONENTS (2)



FRAME & MISCELLANEOUS COVER COMPONENTS (2)

No.	Supply Code	Parts No.	Replacement	Parts name	Remarks	Choice	Step	Level	Cons	Qty	Rep. QTY
1		40006261		ASSY_AT_SOLENOID						1	
2		40006263		AT_SHAFT						1	
3		40006264		AT_SHAFT_HOLDER						1	
4		RC1700001KP		RETAINING RING						1	
5		40010514		DISK_STOPPER						1	
6		40010511		DISK_STOPPER_HOLDER_CAP						1	
7		M90195800A0		EARTH CABLE ASM.						1	
8		40010522		SHAFT_NUT						2	
9		SM0860400SN		SCREW						3	
10		SM6040860TP		SCREW M4 L=8						1	
11		SM6050802TP		SCREW M5X0.8 L=8						3	
12		SM8030412TP		SCREW						2	
13		SM8030412TP		SCREW						1	
14		SM80606A2TP		SCREW M6 L=6						1	
15		SM9040800SP		SCREW						1	
16		WS0410002KP		SPRING WASHER						1	
17		40005397		MAIN-INT CORD A ASS'Y						1	
18		10006104		TAKE-UP SPRING						1	
19		40010510		THREAD_TENSION_POST_BASE						1	
20		40010512		THREAD_TENSION_SHAFT_COLLAR						2	
21	R	32055402	40010477	THRUST COLLAR						1	1.00
22		40004252		UTT_SUSPENSION_SCREW_9						1	
23		40006265		ASSY_THREAD_TENSION_POST						1	
24		B2702210000		GUIDE PLATE						1	
25		B2703210000		BUSHING						1	
26		40003499		THREAD BREAK DETECTOR A						1	
27		40011143		ASSY_BTW						1	
28	R	26260109	26260000	BTW_BASE				*		1	1.00
29		26260208		BTW_CAM_PLATE				*		1	
30		26260307		BTW_BASE_SHAFT				*		1	
31		26260406		BTW_SHAFT_BASE				*		1	
32		26260505		BTW_CAM_LEVER				*		1	
33		26260604		BTW_WHEEL				*		1	
34		40011144		BTW_TORSION_SPRING				*		1	
35	R	26260802	26260000	BTW_BEARING_SPACER				*		1	1.00
36		40011145		BTW_SHAFT				*		1	
37	R	40011146	40089647	BTW_LEVER_SHAFT				*		1	1.00
38		40021933		BTW_LEVER				*		1	
39		26261206		BTW_SPACER				*		1	
40	R	26261305	26260000	BTW_BEARING				*		2	1.00
41		26261503		BTW_WHEEL_RUBBER				*		1	
42		26261602		BOBBIN_SPRING				*		1	
43		26261701		BTW_SPRING				*		1	
44		RC0560711KP		RETAINING RING				*		1	
45		RE0400000K0		E-RING 4				*		1	
46		WP0450826SC		WASHER 4.5X10X0.8				*		1	

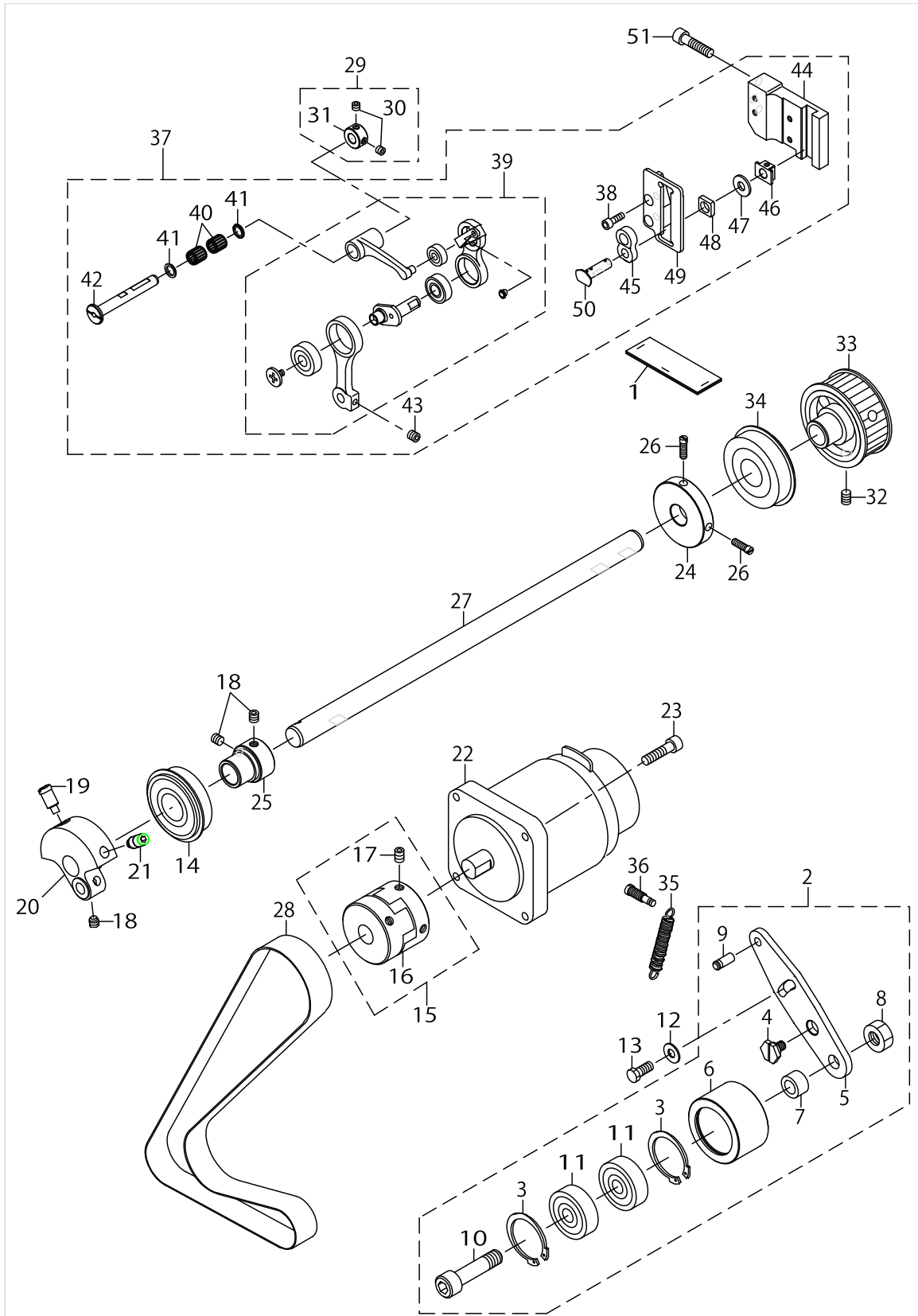
FRAME & MISCELLANEOUS COVER COMPONENTS (2)



FRAME & MISCELLANEOUS COVER COMPONENTS (2)

No.	Supply Code	Parts No.	Replacement	Parts name	Remarks	Choice	Step	Level	Cons	Qty	Rep. QTY
47		SM5040655SN		SCREW				*		1	
48		SM8050502TP		SCREW M5 L=5				*		1	
49		SM8040802TP		SCREW M4X8				*		2	
50		SM6040602TP		SCREW M4 L=6						3	
51		40005399		MAIN-INT CORD D ASS'Y						1	
52		40037008		THREAD_CUTTER						1	
53		SM0050801SC		SCREW						4	
54		D3162555B00		THREAD GUIDE						1	
55		SS7110840SP		SCREW 11/64-40 L=7.8						1	
56		EA9500B0100		CABLE BAND						10	
57		HX00151000A		CABLE BAND						2	
58		26230409		LUBRICATING OIL WICK STOPPER						3	
59		22529481		BOBBIN THREAD TENSION ASM.						1	
60		22529473		BOBBIN THREAD T- ENSION ROD ASM.				*		1	
61		NS6110310SP		NUT 11/64-40				*		1	
62		11072402		THREAD TENSION NUT				*		1	
63		11093606		THREAD TENSION SPRING				*		1	
64	R	B3214047000	22945802	BOBBIN WINDER TENSION DISC				*		2	1.00

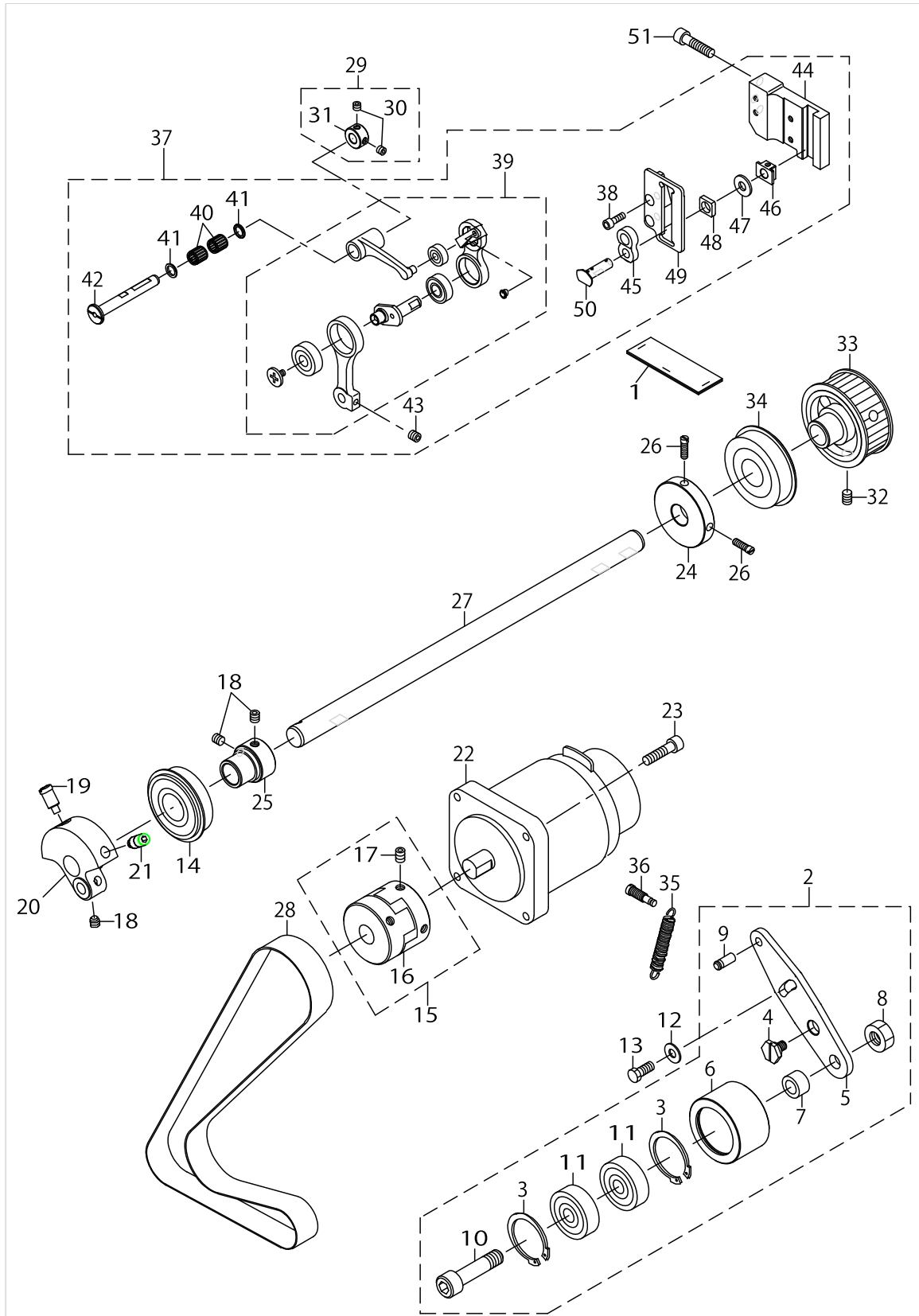
MAIN SHAFT COMPONENTS



MAIN SHAFT COMPONENTS

No.	Supply Code	Parts No.	Replacement	Parts name	Remarks	Choice	Step	Level	Cons	Qty	Rep. QTY
1		40011517		NEEDLE_BAR_CRANK_FELT						1	
2		40004182		IDLER_ASM.						1	
3		RC3781518KP		RETAINING RING				*		2	
4	R	40004185	40004182	HINGE_SCREW				*		1	1.00
5	R	40004184	40004182	IDLER_FIXED_PLATE				*		1	1.00
6	R	40004183	40004182	IDLER_PULLEY				*		1	1.00
7		13710504		INTERMEDIATE SPR- OCKET WASHER				*		1	
8		NM6100001SD		NUT M10				*		1	
9	R	11050804	40004182	FEED LEVER SPRING HOOK		B	B:LBHに使- 用の場合/B: For LBH Series	*		1	1.00
9	R	11050804	22966758	FEED LEVER SPRING HOOK				*		1	1.00
10		SM6104352TP		SCREW M10 L=42.5				*		1	
11		SB110000700		BALL BEARING				*		2	
12		WP0621046SP		WASHER						1	
13		SM9061403CP		SCREW M6 L=14						1	
14		SB120002700		BEARING						1	
15		40051473		COUPLING ASM.						1	
16		40051474		COUPLING				*		1	
17		SM80608A2TP		SCREW M6 L=8				*		4	
18		SM80606A2TP		SCREW M6 L=6						4	
19		40004171		COUNTER_WEIGHT_SCREW						1	
20		40004170		COUNTER_WEIGHT						1	
21		SM8081652TP		SCREW M8 L=16						1	
22		40028015		AC SERVO MOTOR						1	
23		SM6052002TR		SCREW M5 L=20						4	
24		23636400		BOBBIN WINDER DRIVING WHEEL						1	
25		23605207		BEARING HOLDER						1	
26		SS6111440SP		SCREW 11/64-40 L=14.0						2	
27		40004167		MAIN_SHAFT						1	
28		40004169		TIMING_BELT						1	
29		40010434		THRUST_COLLAR_ASM.						1	
30	R	40010436	40010434	THRUST_COLLAR_SCREW				*		2	1.00
31	R	40010435	40010434	THRUST_COLLAR				*		1	1.00
32		SM80608A2TP		SCREW M6 L=8						2	
33		40108752		SPROCKET_A						2	
34		SB120000800		BEARING						1	
35		40004192		ADJUSTING_SPRING						1	
36		40004179		SUSPENSION_SCREW						1	
37		40121890		PH=SQUARE_BLOCK_GUIDE_ASM.						1	
38		SM6041202TP		SCREW M4X0.7 L=12				*		2	
39		40080072		THREAD_TAKE_UP_ASM.				*		1	
40	R	40008339	SB30700020A	P=T NEEDLE BEARI- NG SELECTIVE PARTS		A		*		2	1.00
40	R	40008339	SB30700020B	P=T NEEDLE BEARI- NG SELECTIVE PARTS		B		*		2	1.00
40	R	40008339	SB30700020C	P=T NEEDLE BEARI- NG SELECTIVE PARTS		C		*		2	1.00

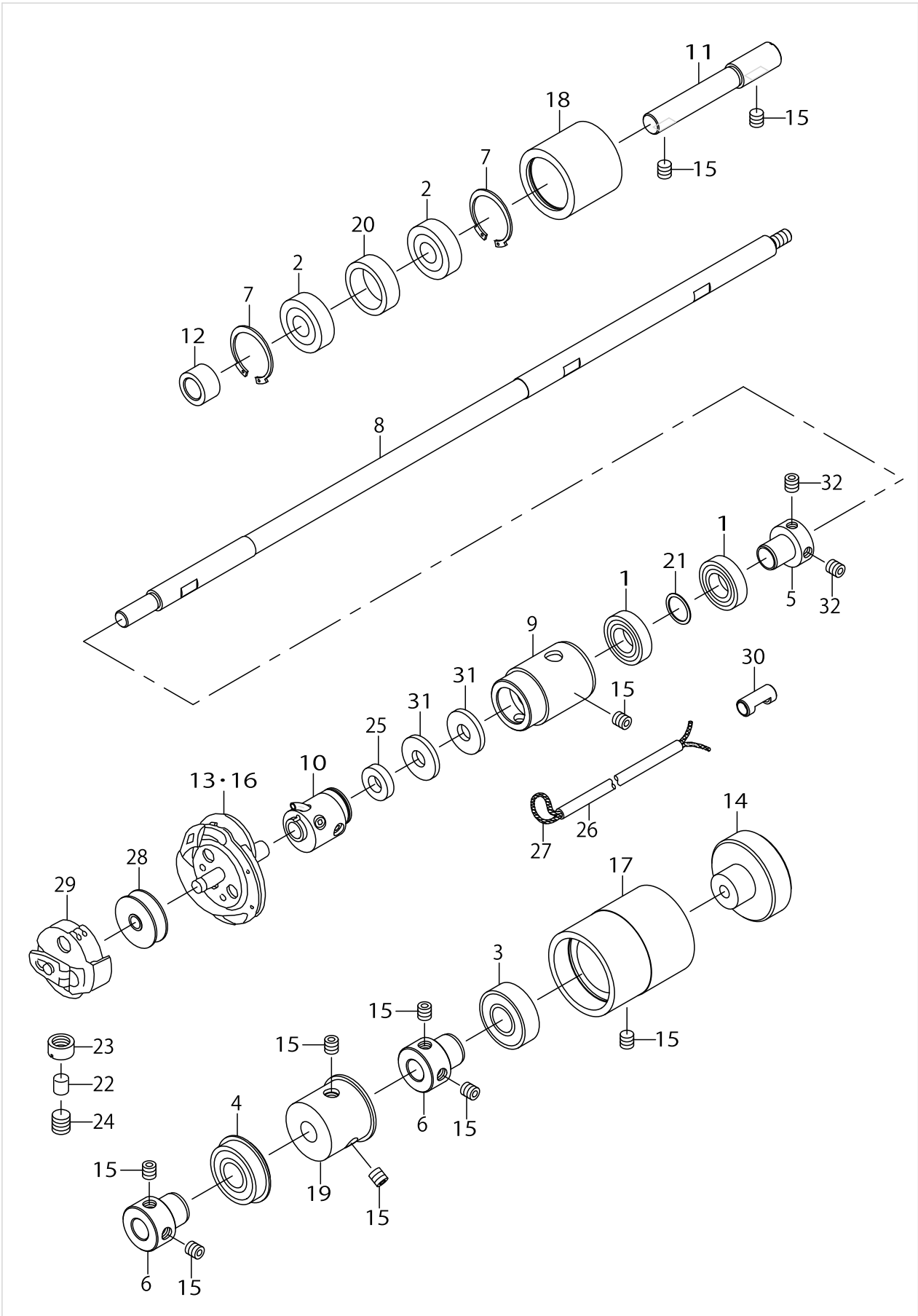
MAIN SHAFT COMPONENTS



MAIN SHAFT COMPONENTS

No.	Supply Code	Parts No.	Replacement	Parts name	Remarks	Choice	Step	Level	Cons	Qty	Rep. QTY
40	R	40008339	SB30700020D	P=T NEEDLE BEARING SELECTIVE PARTS		D		*		2	1.00
41		22891204		BEARING SUPPORT				*		2	
42		40006300		THREAD_TAKE_UP_CRANK_SHAFT				*		1	
43		SM80608A2TP		SCREW M6 L=8				*		1	
44		40006307		SQUARE_BLOCK_GUIDE				*		1	
45		40004209		NEEDLE_BAR_ROD				*		1	
46		40004206		SQUARE_BLOCK				*		1	
47		40008423		WASHER				*		1	
48		40008426		SQUARE_BLOCK				*		1	
49		40022363		SQUARE_BLOCK_GUIDE_B				*		1	
50		40083369		NEEDLE_CRANK_SHAFT				*		1	
51		SM6062502TP		SCREW M6 L=25				*		3	

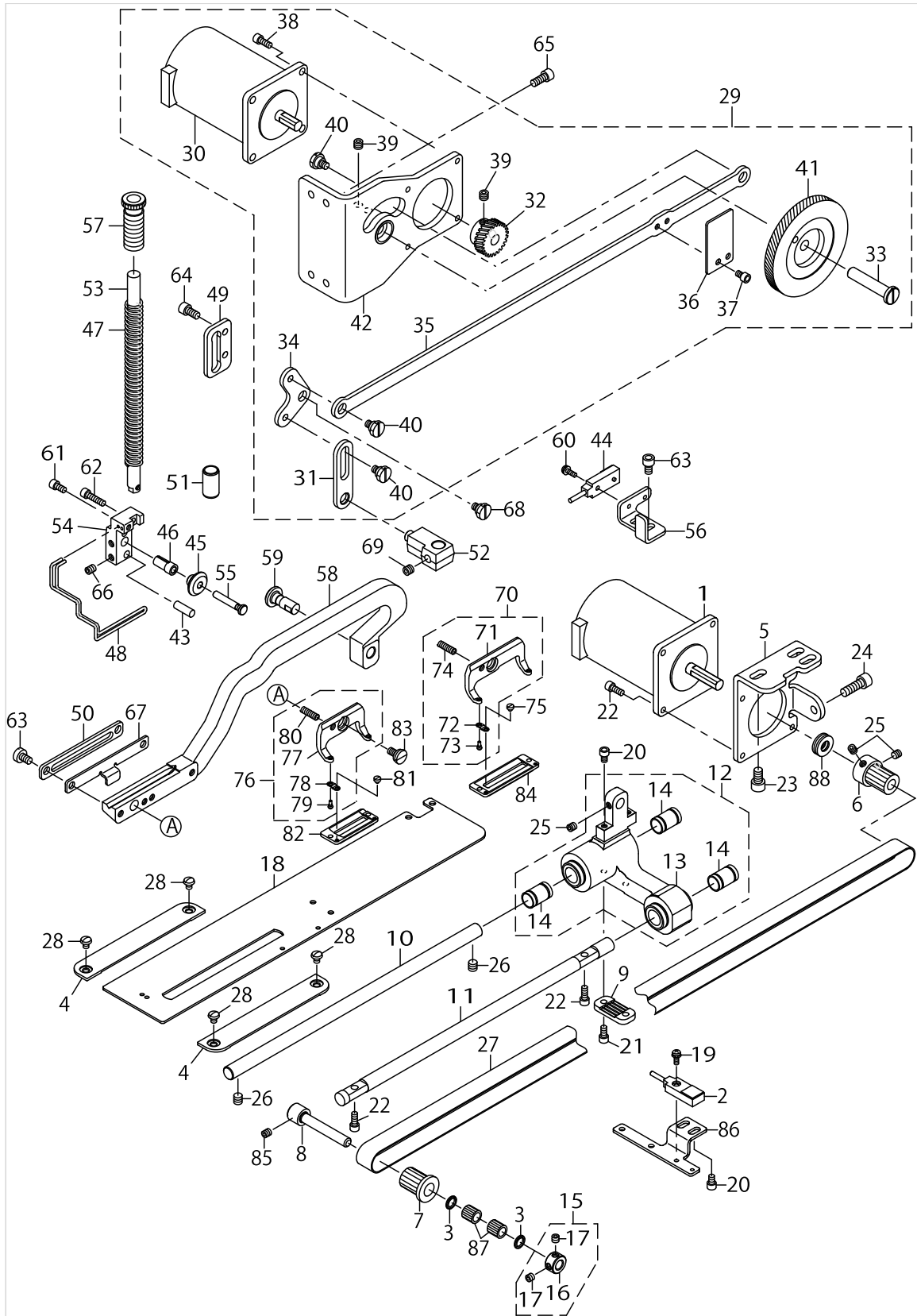
HOOK DRIVING SHAFT COMPONENTS



HOOK DRIVING SHAFT COMPONENTS

No.	Supply Code	Parts No.	Replacement	Parts name	Remarks	Choice	Step	Level	Cons	Qty	Rep. QTY
1		SB112001600		BEARING						2	
2		SB110000600		BALL BEARING						2	
3		SB115000200		BEARING						1	
4		SB115001500		BEARING						1	
5		40004188		BEARING_SUPPORT						1	
6		23536204		BUSH						2	
7		RC2791218KP		RETAINING RING						2	
8		40004186		HOOK_DRIVING_SHAFT						1	
9		40004187		HOOK_DRIVING_SHAFT_METAL						1	
10		13729660		HOOK SLEEVE ASM.						1	
11		13710306		INTERMEDIATE SPROCKET SHAFT						1	
12		13710504		INTERMEDIATE SPR- OCKET WASHER						1	
13		13729066		HOOK COMPL.	FOR LBH-1790S					1	
14		G8039870000		CROWN KNOB						1	
15		SM80606A2TP		SCREW M6 L=6						10	
16		13782065		HOOK COMPL. (K)	FOR LBH-1792K					1	
17		14504401		BEARING SUPPORT						1	
18		40004180		SPROCKET_B						1	
19		40108753		SPROCKET_C						1	
20		13710405		INTERMEDIATE SPROCKET RING						1	
21		40006317		WASHER						1	
22		40006322		ADJUSTING SHAFT						1	
23		40006312		ADJUSTING_NUT						1	
24		SM8080812TP		SCREW M8X8						1	
25		40006320		FELT						1	
26		23630007		TUBE						1	
27		CQ202000000		OIL WICK						1	
28	R	B1811771000	40009148	BOBBIN						1	1.00
29		13729769		BOBBIN CASE ASM.						1	
30		40006321		PIPE						1	
31		40011355		OIL_FILTER						2	
32		SM8050502TP		SCREW M5 L=5						2	

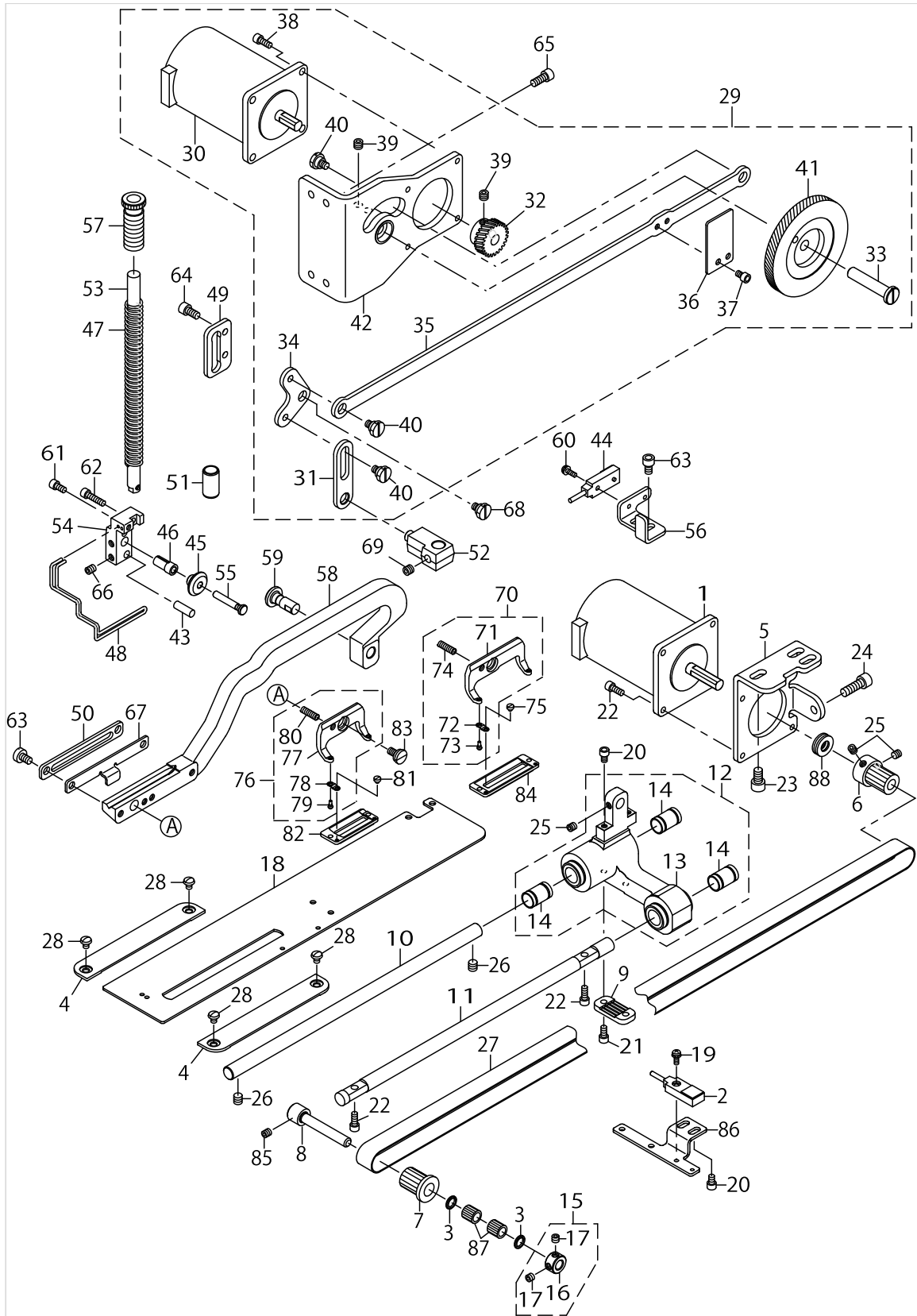
PRESSER & FEED COMPONENTS (FOR LBH-1790S, LBH-1792S)



PRESSER & FEED COMPONENTS (FOR LBH-1790S, LBH-1792S)

No.	Supply Code	Parts No.	Replacement	Parts name	Remarks	Choice	Step	Level	Cons	Qty	Rep. QTY
1		40005372		FEED MOTOR ASS'Y						1	
2		40005378		FEED SENSOR ASS'Y						1	
3		22891204		BEARING SUPPORT						2	
4		40075297		THROAT_PLATE_BASE_COVER						2	
5		40004194		MOTOR_BRACKET						1	
6		40108754		PULLEY_B						1	
7		40004197		PULLEY_C						1	
8		40004198		SUPPORT_SHAFT						1	
9		40004200		TIMING_BELT HOLDER						1	
10		40004201		FEED_SHAFT						1	
11		40022121		FEED_GUIDE_SHAFT						1	
12		40004203		FEED_BASE_ASM.						1	
13		40004204		FEED_BASE				*		1	
14		40110933		BEARING				*		3	
15		40010434		THRUST_COLLAR_ASM.						1	
16	R	40010435	40010434	THRUST_COLLAR				*		1	1.00
17		SM8050412TP		SCREW M5 L=4				*		2	
18		40004205		WORK_CLAMP_CARRIER						1	
19		SL4031081SC		SCREW M3X10						1	
20		SM6040602TP		SCREW M4 L=6						4	
21		SM6040802TP		SCREW M4X0.7 L=8						2	
22		SM6041002TP		SCREW M4 L=10						6	
23		SM6061002TP		SCREW M6 L=10						3	
24		SM6061802TP		SCREW M6 L=18						1	
25		SM8050502TP		SCREW M5 L=5						3	
26		SM80606A2TP		SCREW M6 L=6						2	
27		40004199		TIMING_BELT						1	
28		SM5040550TP		SCREW M4 L=5						4	
29		40004266		ASSY_PBL_GEAR_MODULE						1	
30		40005373		CLAMP MOTOR ASS'Y				*		1	
31		40004273		PBL_FRONT_LINK				*		1	
32		40004291		PBL_GEAR S				*		1	
33		40004275		PBL_GEAR_SHAFT				*		1	
34		40004282		PBL_L-LINK				*		1	
35		40004270		PBL_LONG_ROD				*		1	
36		40004278		PBL_SENSOR_PLATE				*		1	
37		SM6040602TP		SCREW M4 L=6				*		2	
38		SM6041002TP		SCREW M4 L=10				*		4	
39		SM8060552TP		SCREW M6 L=5				*		5	
40		SD0800326TP		SHOULDER SCREW D=8 H=3.2				*		4	
41		40004289		ASSY PBL GEAR L				*		1	
42		40004267		ASSY_PBL_MOTOR_BASE				*		1	
43		13127402		PIN SHORT C						1	
44		40005379		CLAMP SENSOR ASS'Y						1	
45		40019551		SLIDE_ROLLER						1	
46		13926308		COLLAR						1	

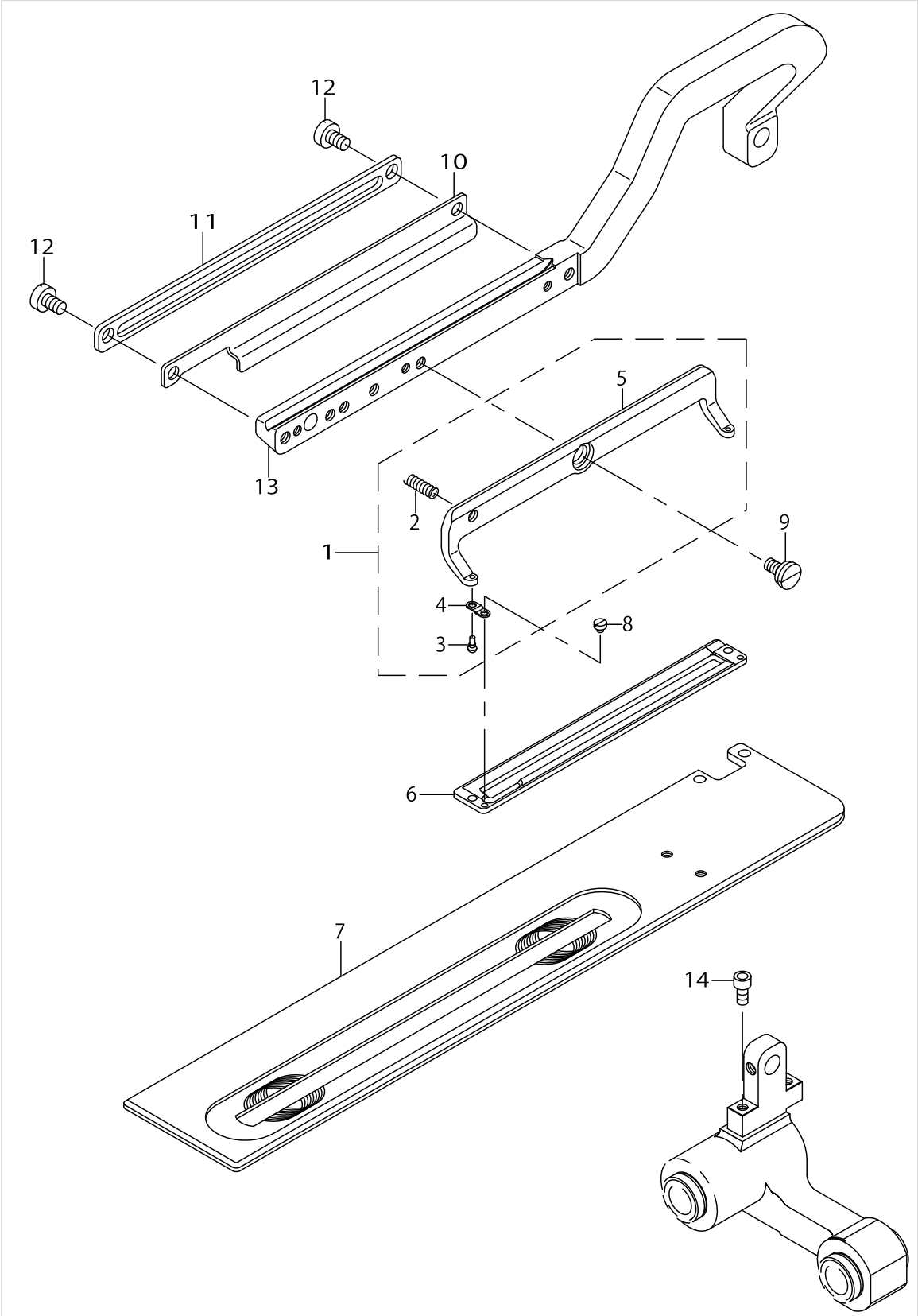
PRESSER & FEED COMPONENTS (FOR LBH-1790S, LBH-1792S)



PRESSER & FEED COMPONENTS (FOR LBH-1790S, LBH-1792S)

No.	Supply Code	Parts No.	Replacement	Parts name	Remarks	Choice	Step	Level	Cons	Qty	Rep. QTY
47		40004281		PBL_COIL_SPRING						1	
48		40004285		PBL_FINGER_GUARD						1	
49		40004276		PBL_GUIDE						1	
50		40004280		PBL_LIFTING_PLATE						1	
51		40004279		PBL_METAL						1	
52		40004274		PBL_POSITION_BRACKET						1	
53		40004271		PBL_PRESSER_BAR						1	
54		40004283		PBL_ROLLER_BASE						1	
55		40004286		PBL_ROLLER_SHAFT						1	
56		40004277		PBL_SENSOR_BASE						1	
57		40004272		PBL_SPRING_REGULATOR						1	
58		40004287		PBL_WORK_CLAMP_ARM						1	
59		40004288		PBL_WORK_CLAMP_ARM_SHAFT						1	
60		SL4031081SC		SCREW M3X10						1	
61		SM6040802TP		SCREW M4X0.7 L=8						1	
62		SM6041602TP		SCREW M4X0.7 L=16						1	
63		SM6050800SP		SCREW M5 L=8						2	
64		SM6051002TP		SCREW M5X0.8 L=10						4	
65		SM6051202TP		SCREW M5X0.8 L=12						4	
66		SM8050602TP		SCREW M5 L=6						2	
67		40020310		UTT_CLOSE_CAM_B						1	
68		SD0800326TP		SHOULDER SCREW D=8 H=3.2						1	
69		SM8060552TP		SCREW M6 L=5						1	
70		D1511772KA0		WORK CLAMP CHECK HOLDER	FOR LBH-1792K					1	
71		B1511772000A		WORK CLAMP CHECK HOLDER				*		1	
72		B1509761000		WORK CLAMP CHECK SPRING				*		2	
73		B151077100B		WORK CLAMP CHECK SPRING SET PIN(B)				*		2	
74		B1512761000		WORK CLAMP CHECK HOLDER SPRING				*		1	
75		SS6060210SP		SCREW 3/32-56 L=1.9	FOR LBH-1792K					2	
76	R	D1511771KA0A	B15117710A0B	WORK CLAMP CHECK HOLDER ASM.	FOR LBH-1790S					1	1.00
77		B1511771000B		PRESSER FOOT				*		1	
78		B1509761000		WORK CLAMP CHECK SPRING				*		2	
79		B151077100B		WORK CLAMP CHECK SPRING SET PIN(B)				*		2	
80		B1512761000		WORK CLAMP CHECK HOLDER SPRING				*		1	
81		SS6060210SP		SCREW 3/32-56 L=1.9	FOR LBH-1790S					2	
82		B1552781000A		PRESSER	FOR LBH-1790S					1	
83		SD0790203SP		HINGE SCREW D=7.94 H=2						1	
84		D1508772K00		WORK CLAMP CHECK (2K)	FOR LBH-1792K					1	
85		SM8050502TP		SCREW M5 L=5						1	
86		40004195		SENSOR_PLATE						1	
87		SB307000200		BEARING						2	
88		SB408000100		BEARING						1	

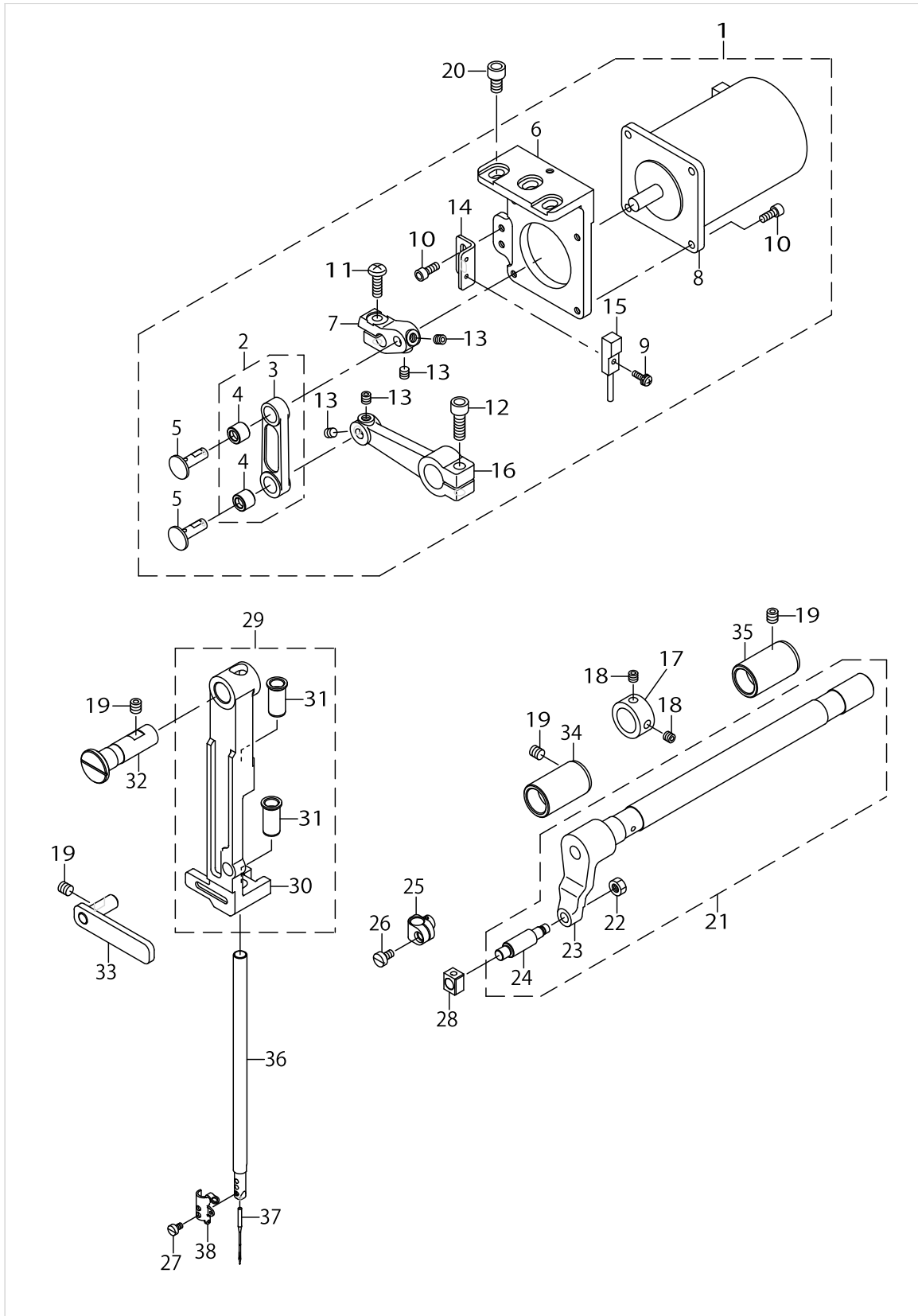
PRESSER & FEED COMPONENTS (FOR LBH-1795S)



PRESSER & FEED COMPONENTS (FOR LBH-1795S)

No.	Supply Code	Parts No.	Replacement	Parts name	Remarks	Choice	Step	Level	Cons	Qty	Rep. QTY
1		40008646		ASSY_WORK_CLAMP- P_CHECK_HOLDER_120						1	
2		40008638		WORK_CLAMP_CHE- CK_HOLDER_SPRING B				*		1	
3		B151077100B		WORK CLAMP CHE- CKSPRINGSETPIN(B)				*		2	
4		B1509761000		WORK CLAMP CHECK SPRING				*		2	
5		40008647		WORK_CLAMP_CHECK_HOLDER_120				*		1	
6		40008658		WORK_CLAMP_120						1	
7		40006339		WORK_CLAMP_CARRIER_120						1	
8		SS6060210SP		SCREW 3/32-56 L=1.9						6	
9		SD0790203SP		HINGE SCREW D=7.94 H=2						3	
10		40028682		UTT_CLOSE_CAM_120B						1	
11		40112711		LIFTING_PLATE_120						1	
12		SM6050800SP		SCREW M5 L=8						2	
13		40006335		WORK_CLAMP_ARM_120						1	
14		SM6040802TP		SCREW M4X0.7 L=8						2	

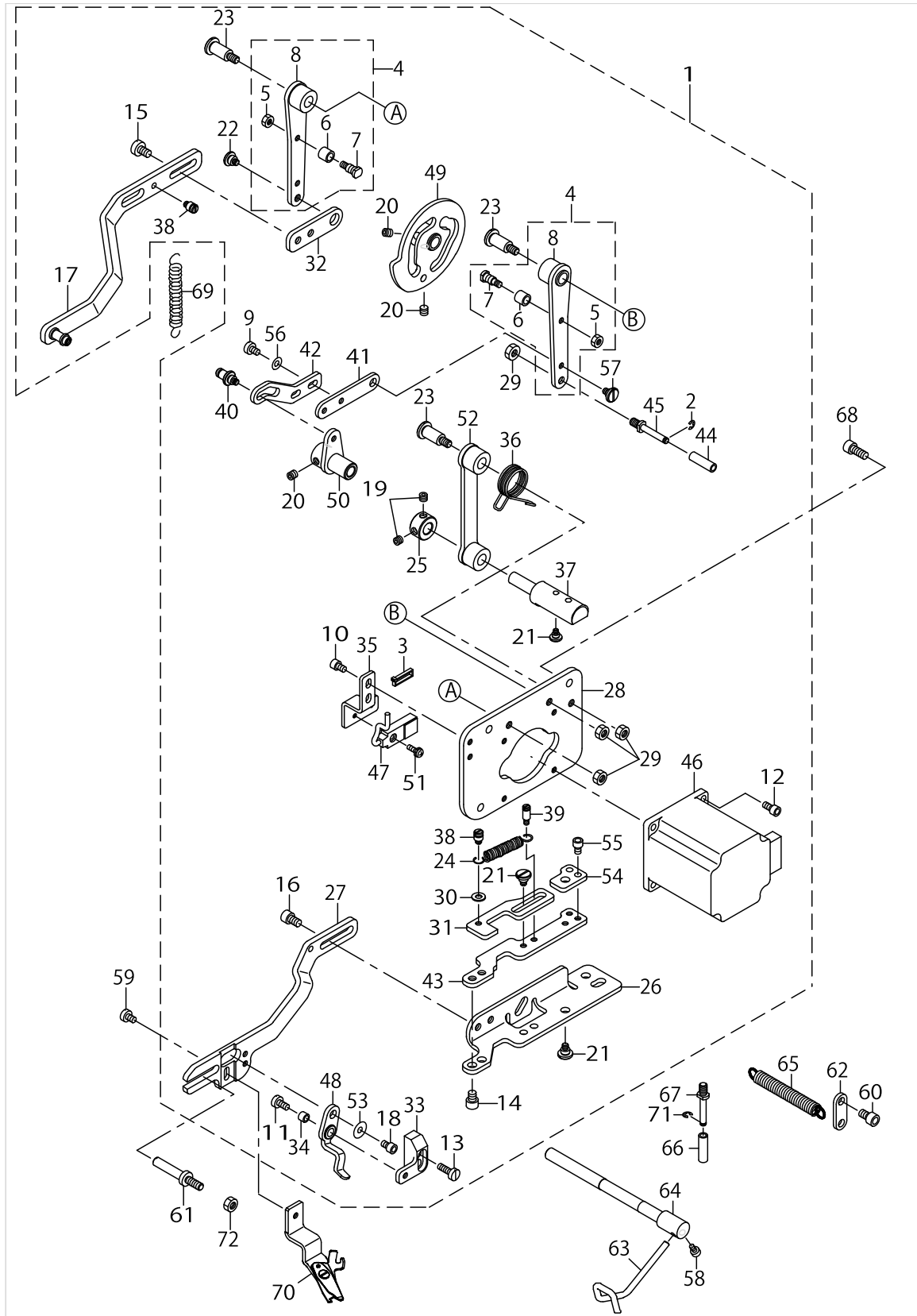
NEEDLE BAR ROCKING COMPONENTS



NEEDLE BAR ROCKING COMPONENTS

No.	Supply Code	Parts No.	Replacement	Parts name	Remarks	Choice	Step	Level	Cons	Qty	Rep. QTY
1		40004223		ZIGZAG DRIVE FULL ASSY						1	
2		40004378		ZIGZAG ROD ASM.				*		1	
3	R	40004379	40004378	ZIGZAG ROD				*		1	1.00
4	R	23530405	23530355	SHAFT HOLDER LINK BUSH				*		2	1.00
5		40008671		P=JUNCTION SHAFT SELECTIVE PARTS	SELECTIVE PARTS			*		2	
6		40004375		MOTOR BASE				*		1	
7		40004377		MOTOR LEVER				*		1	
8		40005371		NEEDLE SWING MOTOR ASS'Y				*		1	
9		SL4031081SC		SCREW M3X10				*		1	
10		SM6041002TP		SCREW M4 L=10				*		6	
11		SM4051655SP		SCREW M5 L=16				*		1	
12		SM6061802TP		SCREW M6 L=18				*		1	
13		SM8050502TP		SCREW M5 L=5				*		4	
14		40004376		SENSOR PLATE				*		1	
15		40005377		NEEDLE SWING SENSOR ASSY				*		1	
16		40004380		ZIGZAG LEVER REAR				*		1	
17		CS1501181TP		THRUST COLLAR D=15 W=11						1	
18		SM8050502TP		SCREW M5 L=5						2	
19		SM80606A2TP		SCREW M6 L=6						4	
20		SM6061002TP		SCREW M6 L=10						3	
21		40004224		ZIGZAG LEVER SHAFT ASM.						1	
22		NM6050001SP		NUT M5				*		1	
23	R	40004373	40004224	ZIGZAG LEVER SHAFT				*		1	1.00
24	R	40004374	40004224	ZIGZAG_STUD				*		1	1.00
25		40004214		NEEDLE BAR CONNECTION						1	
26		SM6040750TP		SCREW M4 L=7						1	
27		SM6030500SN		SCREW M3 L=5						1	
28		B1414232000		SQUARE BLOCK						1	
29		40004222		NEEDLE BAR FRAME ASSY						1	
30		40004212		NEEDLE BAR FRAME				*		1	
31		40004213		NEEDLE BAR METAL				*		2	
32		40004221		SUPPORT SHAFT						1	
33		40004218		FRAME SUPPORT PLATE ASM.						1	
34		40004216		BUSHING						1	
35		40004217		BUSHING REAR						1	
36		40004215		NEEDLE BAR						1	
37		MDP5J0B1100		NEEDLE DPX5 #11J						1	
38		13706403		NEEDLE BAR THREAD GUIDE						1	

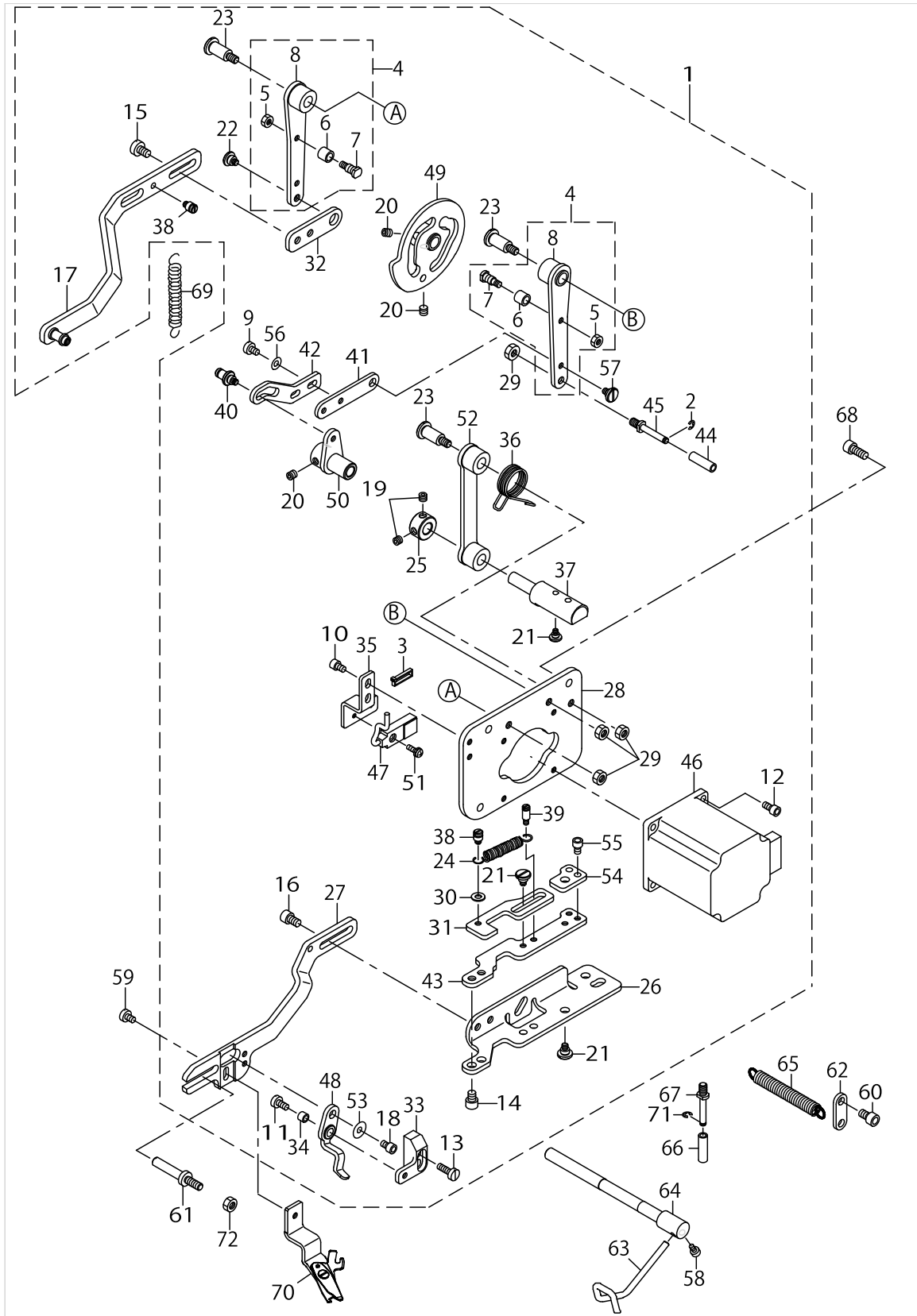
NEEDLE THREAD TRIMMER COMPONENTS



NEEDLE THREAD TRIMMER COMPONENTS

No.	Supply Code	Parts No.	Replacement	Parts name	Remarks	Choice	Step	Level	Cons	Qty	Rep. QTY
1		40029904		ASSY_UTT_MODULE_B						1	
2		RE030000K0		E-RING 3				*		1	
3		EA9500B0100		CABLE BAND				*		1	
4		40101641		ASSY_UTT_CAM_ARM				*		2	
5		NM6040000SN		NUT M4				*		1	
6		40004254		UTT CAM ROLLER				*		1	
7		40101638		UTT_CAM_ROLLER_SHAFT				*		1	
8		40101642		UTT_CAM_ARM				*		2	
9		SM6040600SP		SCREW M4 L=6				*		2	
10		SM6040602TP		SCREW M4 L=6				*		2	
11		SM6040860TP		SCREW M4 L=8				*		1	
12		SM6040802TP		SCREW M4X0.7 L=8				*		4	
13		SM6041200SP		SCREW M4 L=12				*		2	
14		SM6050652TP		HEXAGON SOCKET HEAD SCREW M5X6				*		2	
15		SM6050800SP		SCREW M5 L=8				*		2	
16		SM6050802TP		SCREW M5X0.8 L=8				*		2	
17		40004400		ASSY UTT RELEASE ARM B				*		1	
18		SM6040602TP		SCREW M4 L=6				*		1	
19		SM8050412TP		SCREW M5 L=4				*		2	
20		SM8050502TP		SCREW M5 L=5				*		4	
21		SD0600326TP		SHOULDER SCREW D=6 H=3.2				*		4	
22		SD0800406TP		SHOULDER SCREW D=8 H=4				*		1	
23		SD0801506TP		SHOULDER SCREW D=8 H=15				*		3	
24		11272507		SPRING				*		1	
25		CS0800881TP		THRUST COLLAR				*		1	
26		40004235		UTT ARM A				*		1	
27		40004238		UTT_ARM_B				*		1	
28		40004293		UTT BASE PLATE				*		1	
29		NM6050001SP		NUT M5				*		4	
30		WP0430801SC		WASHER 4.3X9X0.8				*		1	
31		40015702		UTT_RATCH_PLATE_B				*		1	
32		40004294		UTT RELEASE ARM A				*		1	
33		40004264		UTT RELEASE LEVER BASE				*		1	
34		40004265		UTT RELEASE LEVER SHAFT				*		1	
35		40004292		UTT SENSOR BASE				*		1	
36		40004296		UTT_SUPPORT_ARM_SPRING				*		1	
37		40004234		UTT SUPPORT SHAFT				*		1	
38		40004248		UTT SUSPENSION SCREW 4				*		2	
39		40004252		UTT SUSPENSION SCREW 9				*		1	
40		40004247		UTT SUSPENSION SHOULDER SCREW				*		1	
41		40004244		UTT THREAD PULLING LINK A				*		1	
42		40004245		UTT THREAD PULLING LINK B				*		1	
43		40004236		UTT X-CAM				*		1	
44		40004297		UTTY-DRIVEROLLER				*		1	
45		40004298		UTT Y-DRIVE SHAFT				*		1	

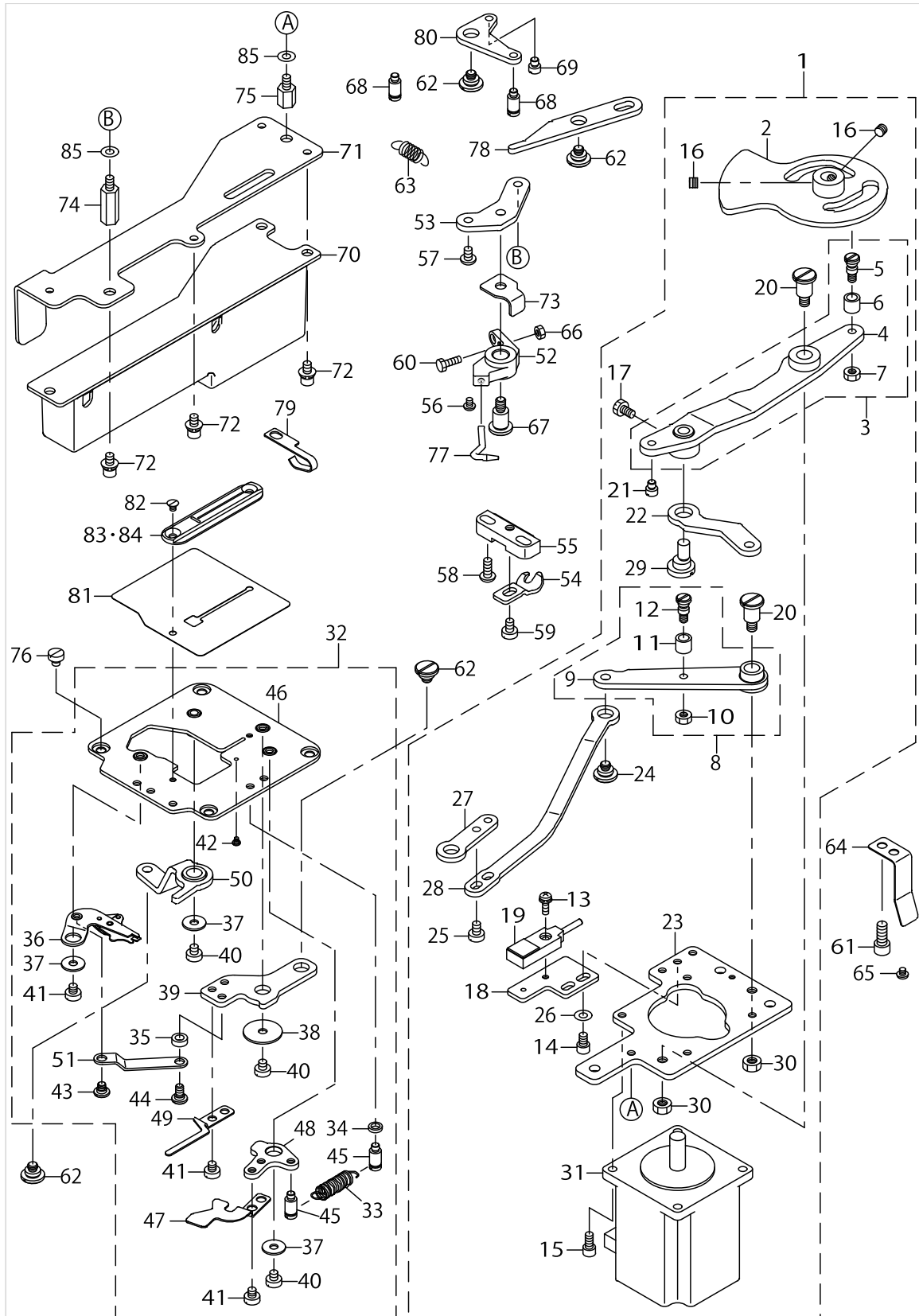
NEEDLE THREAD TRIMMER COMPONENTS



NEEDLE THREAD TRIMMER COMPONENTS

No.	Supply Code	Parts No.	Replacement	Parts name	Remarks	Choice	Step	Level	Cons	Qty	Rep. QTY
46		40005374		UT TRIM MOTOR ASS'Y				*		1	
47		40005380		UT TRIM SENSOR ASS'Y				*		1	
48		40028634		ASSY_UTT_RELEASE_LEVER_B				*		1	
49		40004229		ASSY UTT CAM				*		1	
50		40004240		ASSY UTT THREAD PULLING ARM				*		1	
51		SL4031081SC		SCREW M3X10				*		1	
52		40004232		ASSY UTT SUPPORT ARM				*		1	
53		WP0431005SP		PLAIN WASHER 4.3X12X1				*		1	
54		40015674		UTT_RATCH_STOPPER				*		1	
55		SM6040602TP		SCREW M4 L=6				*		2	
56		WP0550800SP		WASHER 5.5X10X0.8				*		2	
57		SD0600266TP		SHOULDER SCREW D=6 H=2.6				*		1	
58		SM6040602TP		SCREW M4 L=6						1	
59		SM6040600SP		SCREW M4 L=6						1	
60		SM6050802TP		SCREW M5X0.8 L=8						1	
61		40028636		UTT_GUIDE_SHAFT_B						1	
62		40004249		UTT SUSPENSION PLATE						1	
63		40004243		UTT THREAD PULLING LEVER						1	
64		40004246		UTT THREAD PULLING SHAFT						1	
65		40004250		UTT TRIMMER CLOSE SPRING						1	
66		40004297		UTTY-DRIVEROLLER						1	
67		40004298		UTT Y-DRIVE SHAFT						1	
68		SM6051202TP		SCREW M5X0.8 L=12						3	
69		MAZ16013000		BUTTON SUPPORT LEVER SPRING						1	
70		40004255		ASSY UTT TRIMMER						1	
71		RE0300000K0		E-RING 3						1	
72		NM6050001SP		NUT M5						1	

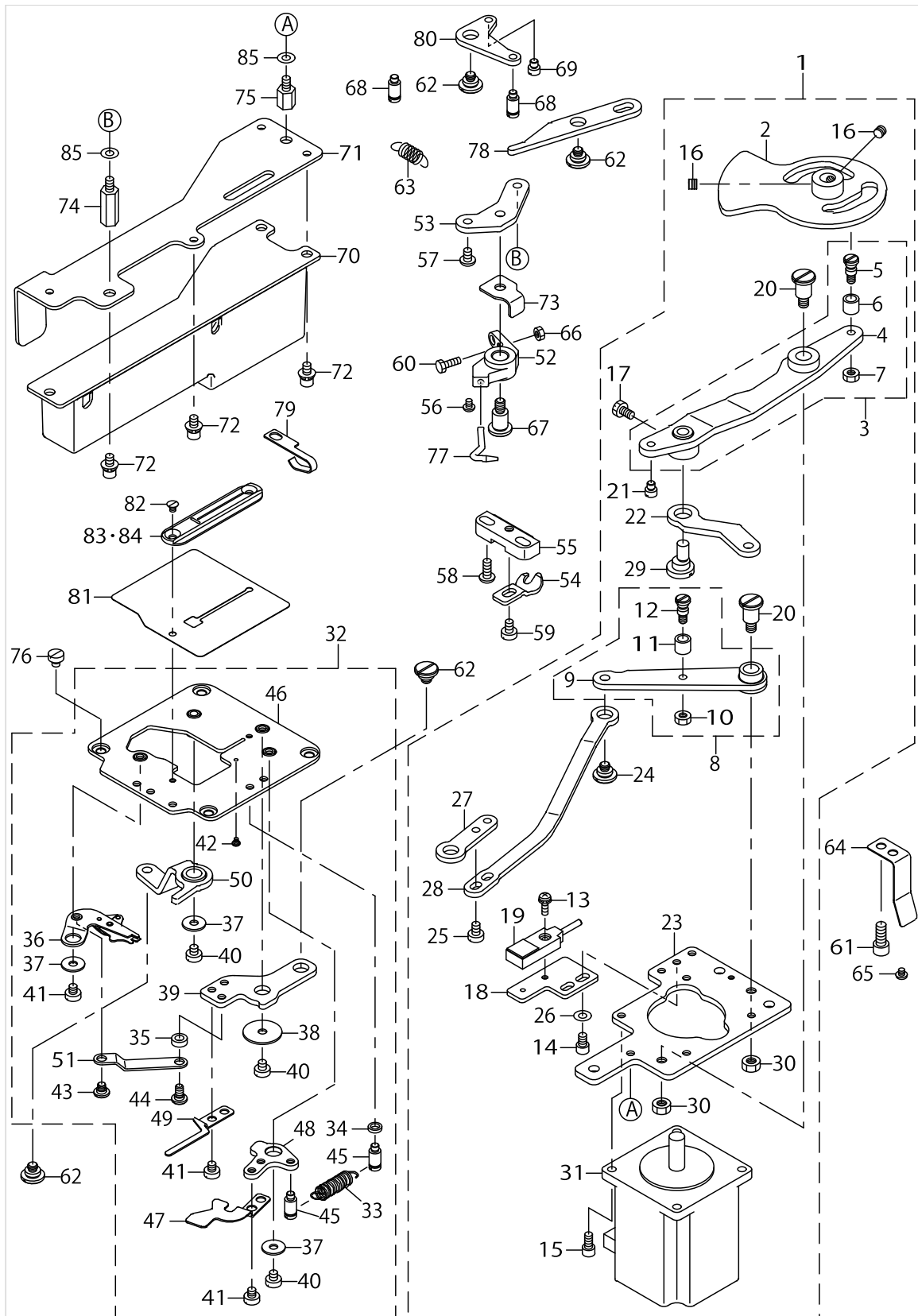
BOBBIN THREAD TRIMMER COMPONENTS



BOBBIN THREAD TRIMMER COMPONENTS

No.	Supply Code	Parts No.	Replacement	Parts name	Remarks	Choice	Step	Level	Cons	Qty	Rep. QTY
1		40004330		BTT_DRIVE_UNIT						1	
2		40004332		ASSY_BTT_DRIVE_CAM				*		1	
3		40101645		ASSY_BTT_DRIVE_LEVER				*		1	
4		40101646		BTT_DRIVE_LEVER				*		1	
5		40101638		UTT_CAM_ROLLER_SHAFT				*		1	
6		40004254		UTT_CAM_ROLLER				*		1	
7		NM6040001SD		NUT M4				*		1	
8		40101648		ASSY_BTT_RELEASE_LEVER				*		1	
9		40101649		BTT_RELEASE_LEVER				*		1	
10		NM6040001SD		NUT M4				*		1	
11		40004254		UTT_CAM_ROLLER				*		1	
12		40101638		UTT_CAM_ROLLER_SHAFT				*		1	
13		SL4031081SC		SCREW M3X10				*		1	
14		SM6040602TP		SCREW M4 L=6				*		2	
15		SM6040802TP		SCREW M4X0.7 L=8				*		4	
16		SM8050412TP		SCREW M5 L=4				*		2	
17		SM9040700SP		HEXAGONAL BOLT				*		1	
18		40004335		SENSOR_FITTING_PLATE_BT				*		1	
19		40005381		LT TRIM SENSOR ASS'Y				*		1	
20		SD0801006TP		SHOULDER SCREW D=8 H=10				*		2	
21		40004299		STOPPER_PIN				*		1	
22		40004329		BTT_DRIVE_LINK				*		1	
23	R	40004331	40154083	BTT_DRIVE_UNIT_BASE				*		1	1.00
24		SD0800296TP		SHOULDER SCREW D=8 H=2.9				*		1	
25		SM6040600SP		SCREW M4 L=6				*		2	
26		WP0430801SC		WASHER 4.3X9X0.8				*		2	
27		40004343		BTT_RELEASE_LINK_F				*		1	
28		40004344		BTT_RELEASE_LINK_R				*		1	
29		13737408		LINK ROD				*		1	
30		NM6050001SP		NUT M5				*		2	
31		40005375		LT TRIM MOTOR ASS'Y				*		1	
32		40021998		THROAT_PLATE_BASE_UNIT						1	
33		40029613		CLAMP_SPRING				*		1	
34		B1623180000		WASHER				*		1	
35		B3013141H0A		WASHER				*		1	
36		40004311		BT_TRIMMER				*		1	
37		WP0431005SP		PLAIN WASHER 4.3X12X1				*		3	
38		WP0451016SP		WASHER 4.5X20X1				*		1	
39		40004306		BTT_LEVER				*		1	
40		SM6040450TP		SCREW M4 L=4				*		3	
41		SM6040450TP		SCREW M4 L=4				*		5	
42		SD0250101SP		HINGE SCREW				*		1	
43		SD0500166TP		SHOULDER SCREW D=5 H=1.6				*		1	
44		SD0500167TP		SHOULDER SCREW D=5 H=1.6				*		1	
45		40004327		SUSPENSION_SCREW				*		2	
46	R	40004301	40176885	ASSY_THROAT_PLATE_BASE				*		1	1.00

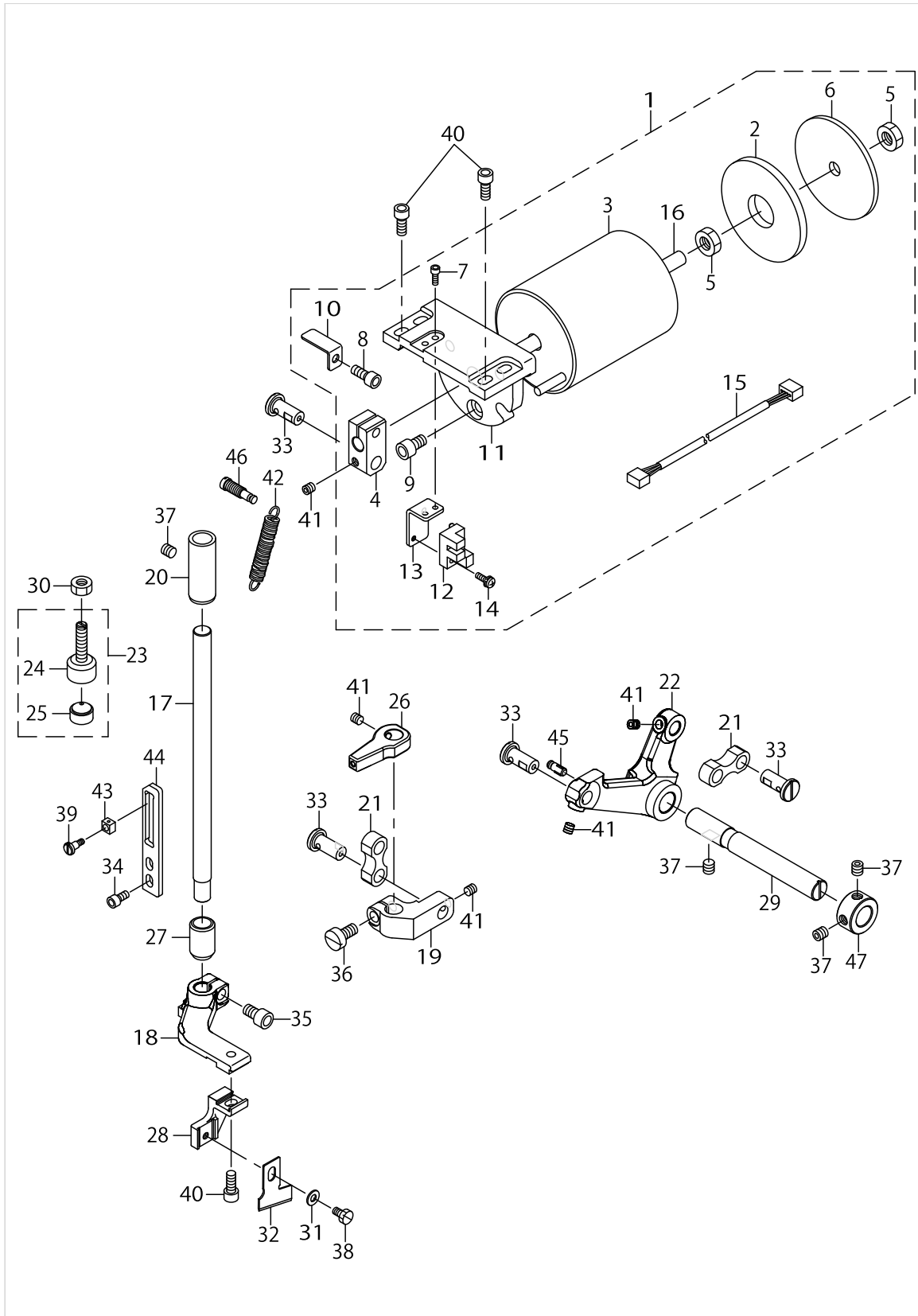
BOBBIN THREAD TRIMMER COMPONENTS



BOBBIN THREAD TRIMMER COMPONENTS

No.	Supply Code	Parts No.	Replacement	Parts name	Remarks	Choice	Step	Level	Cons	Qty	Rep. QTY
47		40022323		BT_CLAMP_B				*		1	
48		40004309		BT_CLAMP_LEVER				*		1	
49		40022322		BT_PULLER_B				*		1	
50		40004321		ASSY_BT_RELEASE_ARM				*		1	
51		40004308		BT_TRIMMER_LINK				*		1	
52		40004345		PICKER_BASE						1	
53		40004347		PICKER_BASE_FITTING_PLATE						1	
54		13727102		STOPPER A						1	
55	D	13729306		BOBBIN CASE POSITIONING PLATE						1	
56		SM4030455SN		SCREW M3 L=4						1	
57		SM6040602TP		SCREW M4 L=6						1	
58		SM4041050TP		SCREW M4 L=10						2	
59		SM6040600SP		SCREW M4 L=6						1	
60		SM6041200SP		SCREW M4 L=12						1	
61		SM6050802TP		SCREW M5X0.8 L=8						3	
62		SD0800296TP		SHOULDER SCREW D=8 H=2.9						4	
63		40011327		PICKER_SPRING						1	
64		14516801		SAFETY SWITCH PRESSING PLATE						1	
65		SM5030355SE		SCREW						1	
66		NM6040001SD		NUT M4						1	
67		SD0801006TP		SHOULDER SCREW D=8 H=10						1	
68		40004327		SUSPENSION_SCREW						2	
69		40004299		STOPPER_PIN						1	
70	R	40004164	40141802	OIL_TANK_ASM.						1	1.00
71		40004163		OIL_TANK_PLATE						1	
72		SL6040892TN		SCREW						6	
73		40004328		PICKER_BASE_STOPPER						1	
74		HX00339000C		PARTS						1	
75		HX003390000		STUD						1	
76		SM6040450TP		SCREW M4 L=4						4	
77		40004346		PICKER						1	
78		40004348		PICKER_ACTUATING_LEVER						1	
79		26230409		LUBRICATING OIL WICK STOPPER						1	
80		40004349		PICKER_ACTUATING_L_LINK						1	
81		40004324		OIL_SHIELD						1	
82		SM1030400SP		SCREW M3 L=4						2	
83		40027553		THROAT_PLATE(1790S5)	FOR LBH-1790S					1	
84		40027554		THROAT_PLATE(1790K5)	FOR LBH-1792K					1	
85		WP0430800SC		WASHER M4						2	

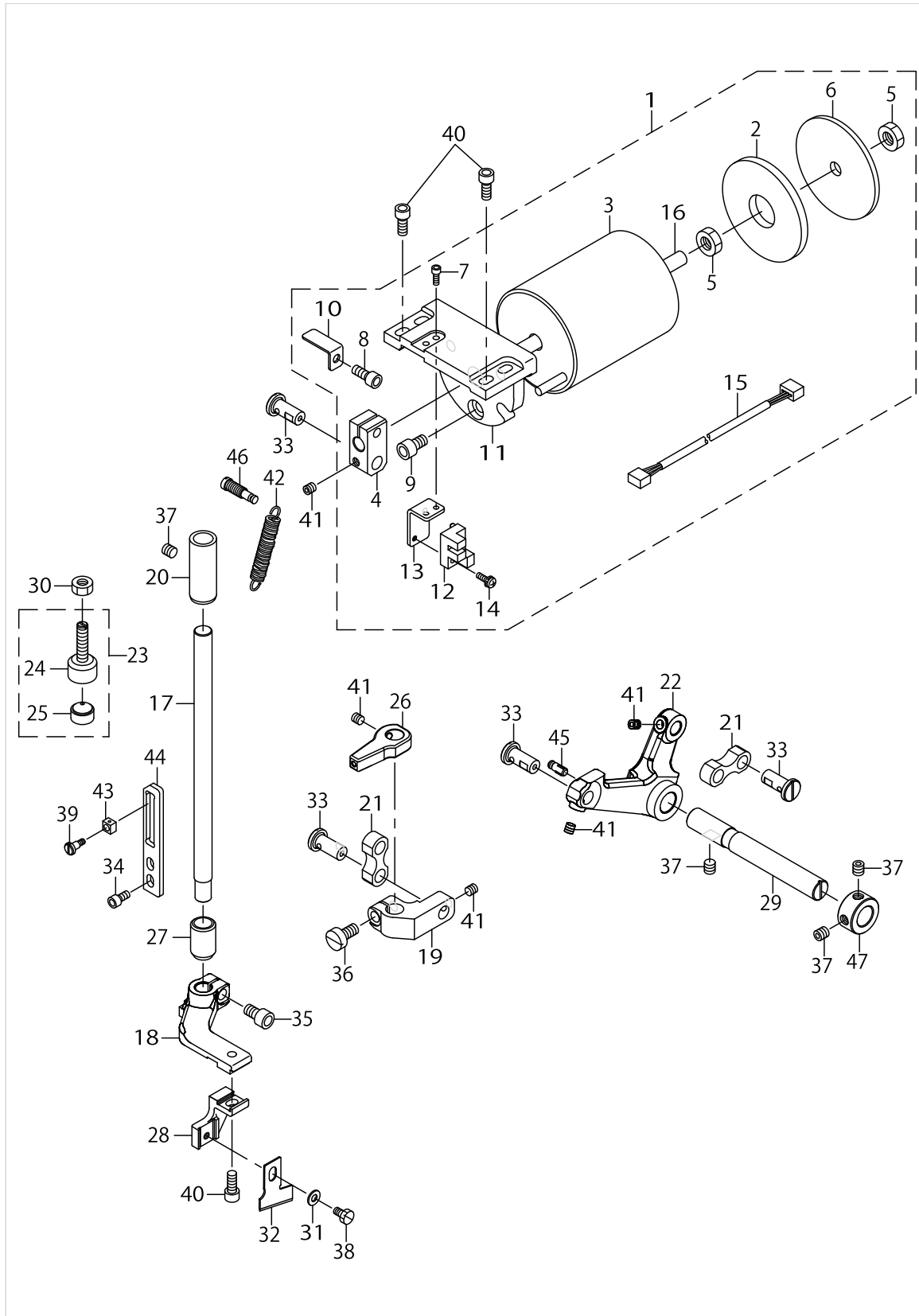
CLOTH CUTTING KNIFE COMPONENTS



CLOTH CUTTING KNIFE COMPONENTS

No.	Supply Code	Parts No.	Replacement	Parts name	Remarks	Choice	Step	Level	Cons	Qty	Rep. QTY
1		40004381		KNIFE SOL ASM.						1	
2		40004384		CUSION				*		1	
3		40004382		SOLENOID				*		1	
4		40009788		KNIFE HOLDER				*		1	
5		NM6080003SC		NUT M8				*		2	
6		40004383		PLATE A				*		1	
7		SM6030802TP		SCREW M3X0.5 L=8				*		2	
8		SM6051202TP		SCREW M5X0.8 L=12				*		1	
9		SM6061002TP		SCREW M6 L=10				*		3	
10		40004387		SENSOR SLIT PLATE				*		1	
11		40004385		SOLENOID BASE				*		1	
12		HD00057000A		PHOTO SENSOR				*		1	
13		40004386		SENSOR PLATE				*		1	
14		SL4031091SC		SCREW M3X10				*		1	
15		40005382		CUTTER SENSOR JOINT CORD				*		1	
16	R	40081403	ZC0F1000718	KNIFE_SOL_SHAFT_ASM.				*		1	1.00
17		40004394		KNIFE BAR						1	
18		40004396		KNIFE BAR BASE						1	
19		40004397		KNIFE BAR BRACKET						1	
20		40004398		KNIFE BAR BUSH						1	
21		13746508		KNIFE BAR CONNECTING LINK						2	
22		40004390		KNIFE BAR DRIVING LEVER						1	
23		40004219		KNIFE BAR DRIVING STOPPER ASM.						1	
24	R	40004391	40004219	KNIFE BAR DRIVING STOP SCREW				*		1	1.00
25	R	13750807	40004219	KNIFE DRIVING LEVER STOPPER				*		1	1.00
26		40141850		KNIFE BAR SUPPORT BLOCK						1	
27		40040276		KNIFE_BAR_LOWER_BUSHING						1	
28		40004393		KNIFE FITTING BASE						1	
29		40004395		KNIFE LEVER SHAFT						1	
30		NM6060002SD		NUT M6						1	
31		WP0430801SC		WASHER 4.3X9X0.8						1	
32		B2702047L00A		KNIFE 1/2						1	
33		40004392		BELL CRANK SHAFT						4	
34		SM6040802TP		SCREW M4X0.7 L=8						2	
35		SM6061202TP		SCREW M6 L=12						1	
36		SM6061200SP		SCREW						1	
37		SM8060612TP		SCREW M6 L=6						4	
38		SM9040700SP		HEXAGONAL BOLT						1	
39		SD0400506TP		SHOULDER SCREW D4 H5						1	
40		SM6051202TP		SCREW M5X0.8 L=12						5	
41		SM8050502TP		SCREW M5 L=5						5	
42		40004389		SPRING						1	
43		40006315		SQUARE BLOCK						1	
44		40004211		SUPPORT GUIDE						1	
45		13738802		SUSPENSION SCREW						1	
46		40004179		SUSPENSION SCREW						1	

CLOTH CUTTING KNIFE COMPONENTS



CLOTH CUTTING KNIFE COMPONENTS

No.	Supply Code	Parts No.	Replacement	Parts name	Remarks	Choice	Step	Level	Cons	Qty	Rep. QTY
47		GS1201171TP		THRUST COLLAR D=12 W=11						1	

TABLE COMPONENTS

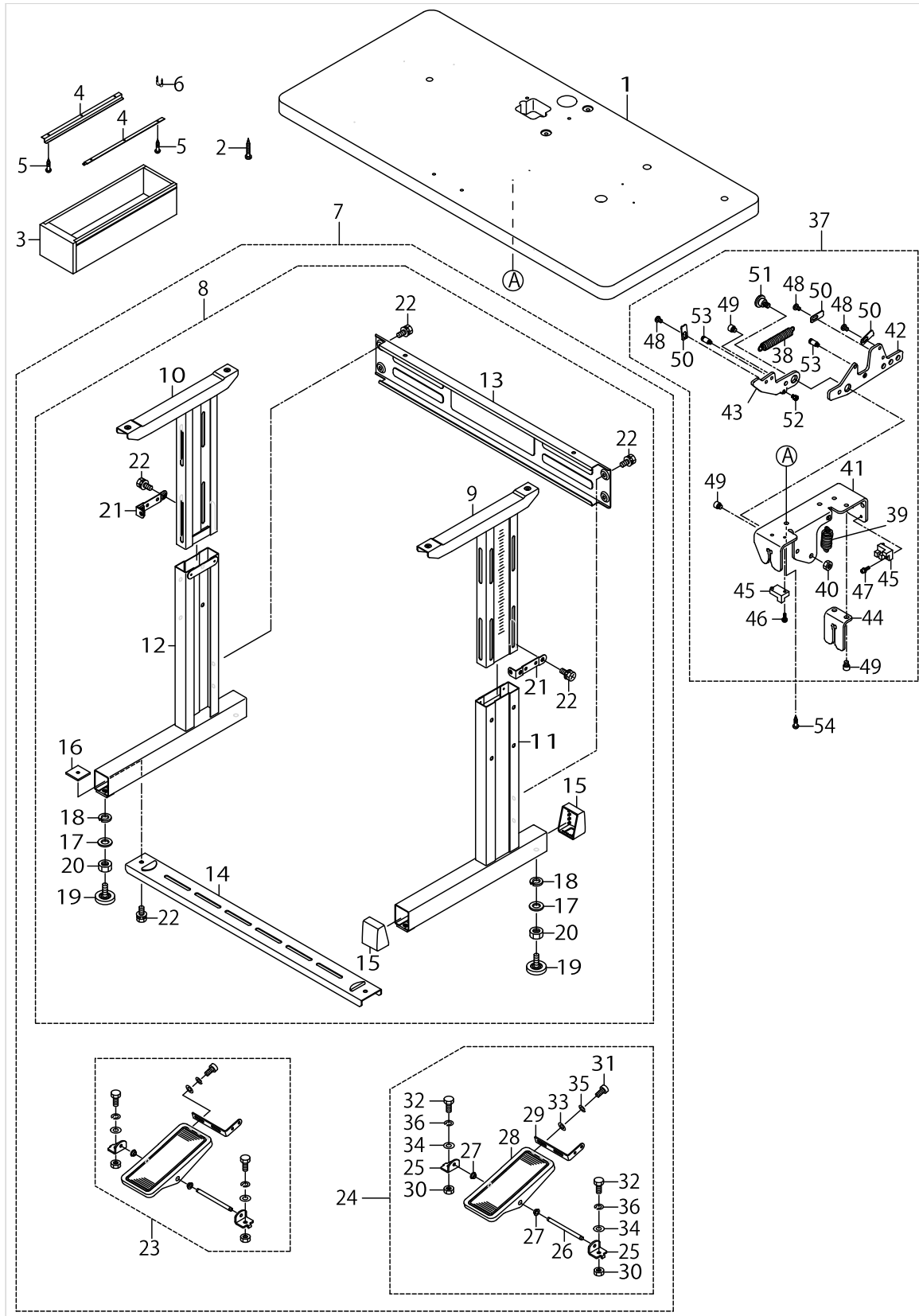


TABLE COMPONENTS

No.	Supply Code	Parts No.	Replacement	Parts name	Remarks	Choice	Step	Level	Cons	Qty	Rep. QTY
1	R	40006306	40006305	TABLE						1	1.00
2		ST9053511SR		TAPPING SCREW M5X35						4	
3	R	11155108	11155157	DRAWER						1	1.00
4		11155207		DRAWER SUPPORT						2	
5	R	SK3311600SC	SK3311601SE	WOOD SCREW D=3.1 L=16						6	1.00
6		D8204555D00		DRAWER STOPPER						1	
7		B81017710A0		T-STAND COMPL.						1	
8	R	11157559	11157567	T-STAND ASM.				*		1	1.00
9		11157666		UPPER STAND ASM. RIGHT				*		1	
10		11157765		UPPER STAND ASM. LEFT				*		1	
11		11157963		LOWER LEG RIGHT				*		1	
12		11158060		LOWER LEG LEFT				*		1	
13	D	11158300		STAND SIDE SUPPORT				*		1	
14		11158409		STAND SIDE SUPPORT				*		1	
15		11158607		RUBBER CAP				*		4	
16		17007402		NUT				*		2	
17		WP1302501SE		WASHER M12				*		4	
18		WS1253010KN		SPRING WASHER 12.5X21.5X3				*		4	
19		B81085550A0		ADJUSTING SCREW ASM. WITH CAP				*		4	
20		NM6120001SE		NUT M12				*		1	
21		11158516		UPPER STAND PLATE				*		2	
22		SL9082091SE		WASHER HEXAGONAL BOLT				*		12	
23		13817754		Z-STAND PEDAL ASM.				*		1	
24		13817754		Z-STAND PEDAL ASM.				*		1	
25		11159001		PEDAL SHAFT BRACKET				*		2	
26		B8153771000		PEDAL CONNECTING ROD				*		1	
27		D8113555B00		PEDAL BUSHING				*		2	
28		GPF060600A0		PEDAL ASM.				*		1	
29		GPF06080000		PEDAL ADJUSTING PLATE				*		1	
30		NM6080721SE		NUT M8				*		2	
31		SM9061203SE		SCREW M6 L=12				*		2	
32		SM9082023SE		SCREW M8 L=20				*		2	
33		WP0671016SE		WASHER 6.7X13X1				*		2	
34		WP0871602SE		WASHER 8.7X18X1.6				*		4	
35		WS0621210KR		SPRING WASHER 6.2X11.4X1.2				*		2	
36		WS0861410KR		SPRING WASHER 8.6X15X1.4				*		2	
37		40003491		ASSY 4 POSITION PEDAL						1	
38		13731906		SPRING				*		1	
39		B2583210D00		SPRING				*		1	
40		NM6060001CP		NUT M6				*		1	
41		40004360		PEDAL FRAME				*		1	
42		40004361		PEDAL FRAME A				*		1	
43		40004362		PEDAL FRAME B				*		1	
44		40004363		PEDAL FRAME GUIDE				*		1	
45		HD000570000		SENSOR				*		2	
46		SL4031091SC		SCREW M3X10				*		1	

TABLE COMPONENTS

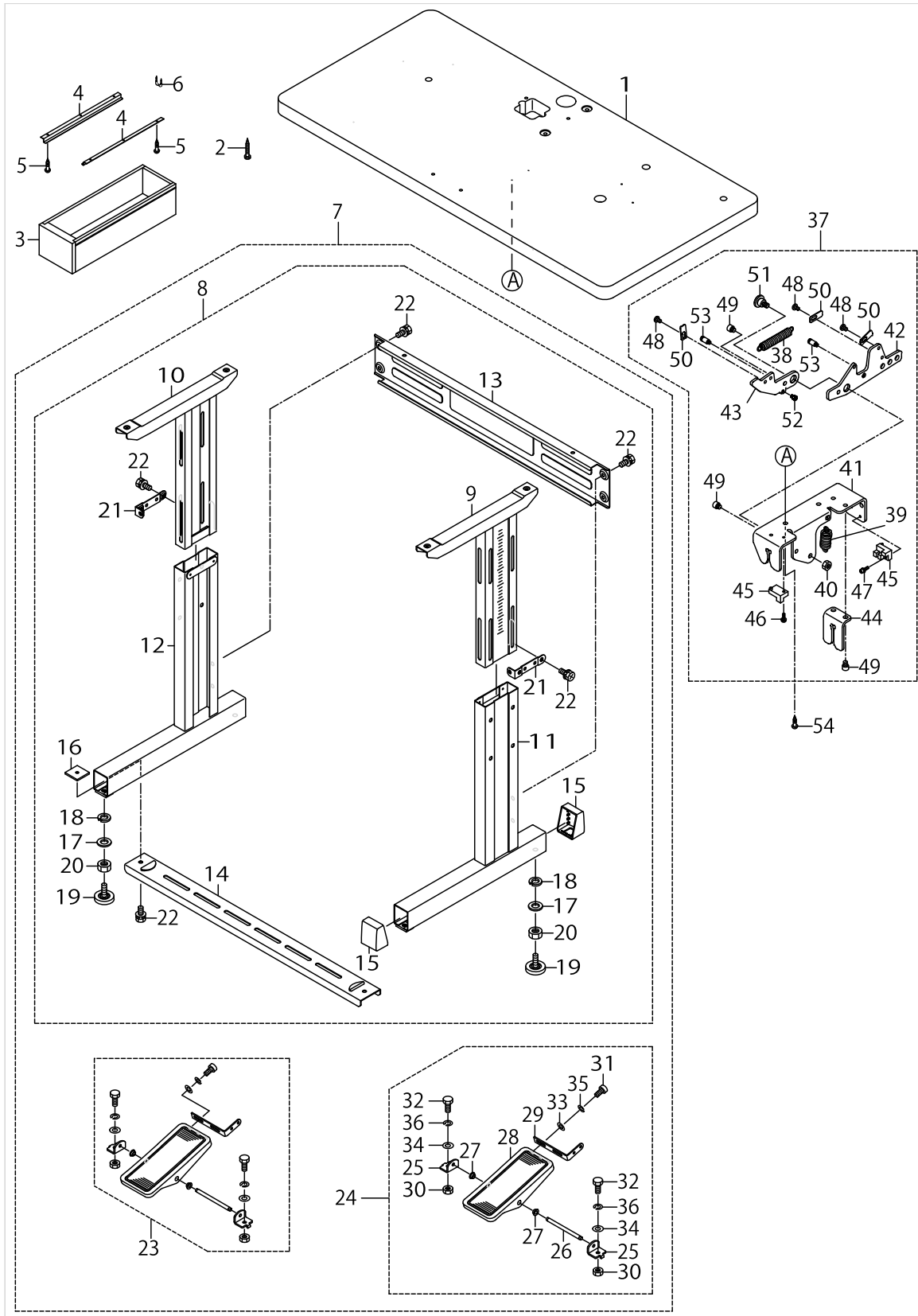
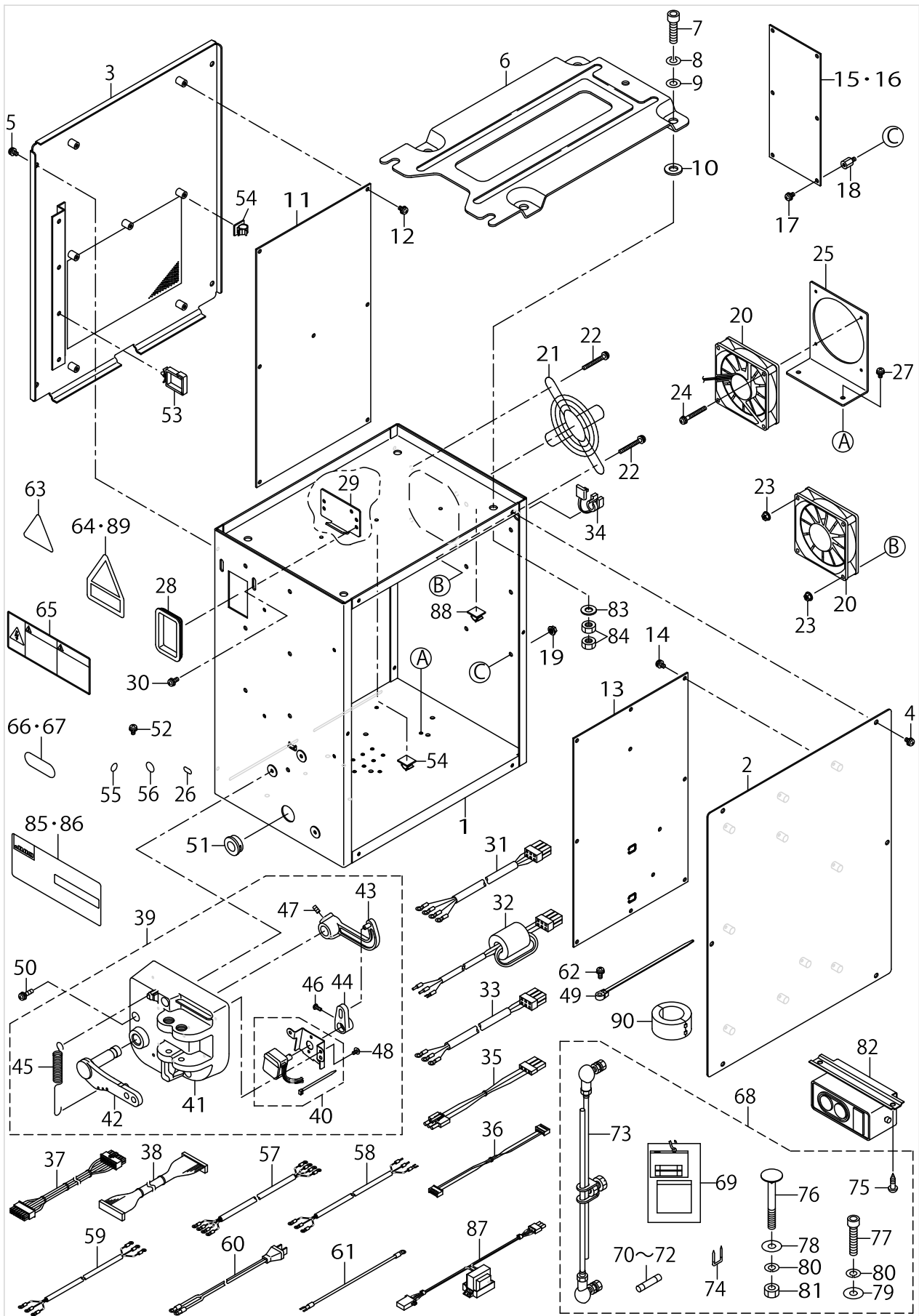


TABLE COMPONENTS

No.	Supply Code	Parts No.	Replacement	Parts name	Remarks	Choice	Step	Level	Cons	Qty	Rep. QTY
47		SL6031042TN		SCREW				*		1	
48		SM5040655SN		SCREW				*		3	
49		SM6050652TP		HEXAGON SOCKET HEAD SCREW M5X6				*		4	
50	D	40004364		SENSOR DETECTING PLATE				*		3	
51		SD1000646TP		SHOULDER SCREW D=10 H=6.4				*		1	
52		40004299		STOPPER PIN				*		1	
53		40004327		SUSPENSION SCREW				*		2	
54		SK3482001SE		WOOD SCREW D=4.8 L=20				*		2	

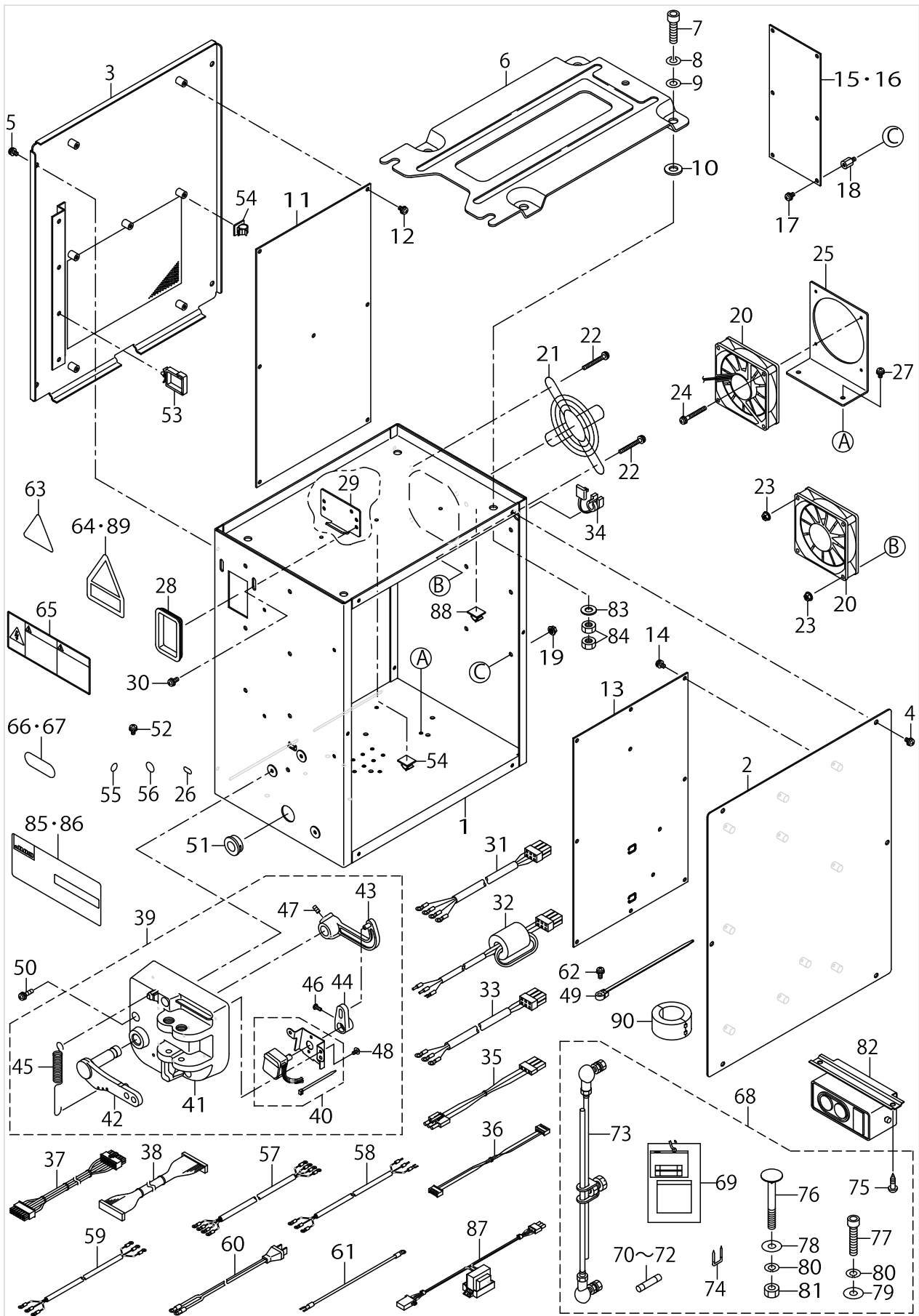
CONTROL BOX COMPONENTS



CONTROL BOX COMPONENTS

No.	Supply Code	Parts No.	Replacement	Parts name	Remarks	Choice	Step	Level	Cons	Qty	Rep. QTY
1	R	40003451	40055355	CONTROL BOX						1	1.00
2	D	40003452		CONTROL BOX FRONT COVER						1	
3		40003453		CONTROL BOX REAR COVER						1	
4		SL4040891SC		SCREW M4 L=8						6	
5		SL4040891SC		SCREW M4 L=8						4	
6		M3801476000		CONTROL BOX FITTING PLATE						1	
7		SM6083002TN		SCREW M8 L=30						4	
8		WS0820002KR		SPRING WASHER M8						4	
9		WP0841601SC		WASHER 8.4X17.4X1.6						4	
10		M4206461000		WASHER						4	
11	R	40003412	40118777	MAIN PCB A ASS'Y						1	1.00
12		SL4040881SC		SCREW M4 L=8						7	
13	R	40000029	40082758	SDC PCB A ASS'Y						1	1.00
14		SL4040881SC		SCREW M4 L=8						10	
15		40000056		FLT-T PCB A ASS'Y	FOR EXPORT/USE IN JAPAN(3φ)					1	
16	R	40000046	40162838	FLT-S PCB A ASS'Y	FOR EXPORT(1φ),CE					1	1.00
17		SL4040881SC		SCREW M4 L=8						6	
18		HX003390000		STUD						6	
19		NM3040520SC		NUT M4						6	
20		40005401		FAN MOTOR ASS'Y						2	
21		HM000480010		FINGER GUIDE						1	
22		SL4043591SC		SCREW						4	
23		NM3040520SC		NUT M4						4	
24		SL4033091SC		SCREW M3 L=30						4	
25		40005404		FAN MOTOR BRACKET						1	
26		CM200100001		PE MARK LABEL	FOR CE					1	
27		SL4040891SC		SCREW M4 L=8						2	
28		HX004070000		BUSH						1	
29		17845009		CORD FITTING PLATE						1	
30		SL4041091SC		SCREW M4 L=10						2	
31		40005391		POWER CORD 3P ASS'Y	FOR EXPORT/USE IN JAPAN(3φ)					1	
32		40005392		POWER CORD 1P ASS'Y	FOR CE					1	
33		40005388		POWER CORD 1P220V ASS'Y	FOR EXPORT(1φ)					1	
34		HX00410000A		BUSHING						1	
35		40005393		FLT-SDC CORD P ASS'Y	FOR EXPORT(1φ/3-φ), USE IN JAPAN(1φ/3φ)					1	
36		40005394		FLT-SDC CORD S ASS'Y						1	
37		40005395		SDC-MAIN CORD P ASS'Y						1	
38		40005396		SDC-MAIN CORD S ASS'Y						1	
39		40003484		PEDAL SENSOR ASM.						1	
40		40003485		SENSOR FITTING PLATE A ASM.					*	1	
41		M4001461000		PEDAL SENSOR BASE					*	1	
42		M4002461000		PEDAL LEVER					*	1	

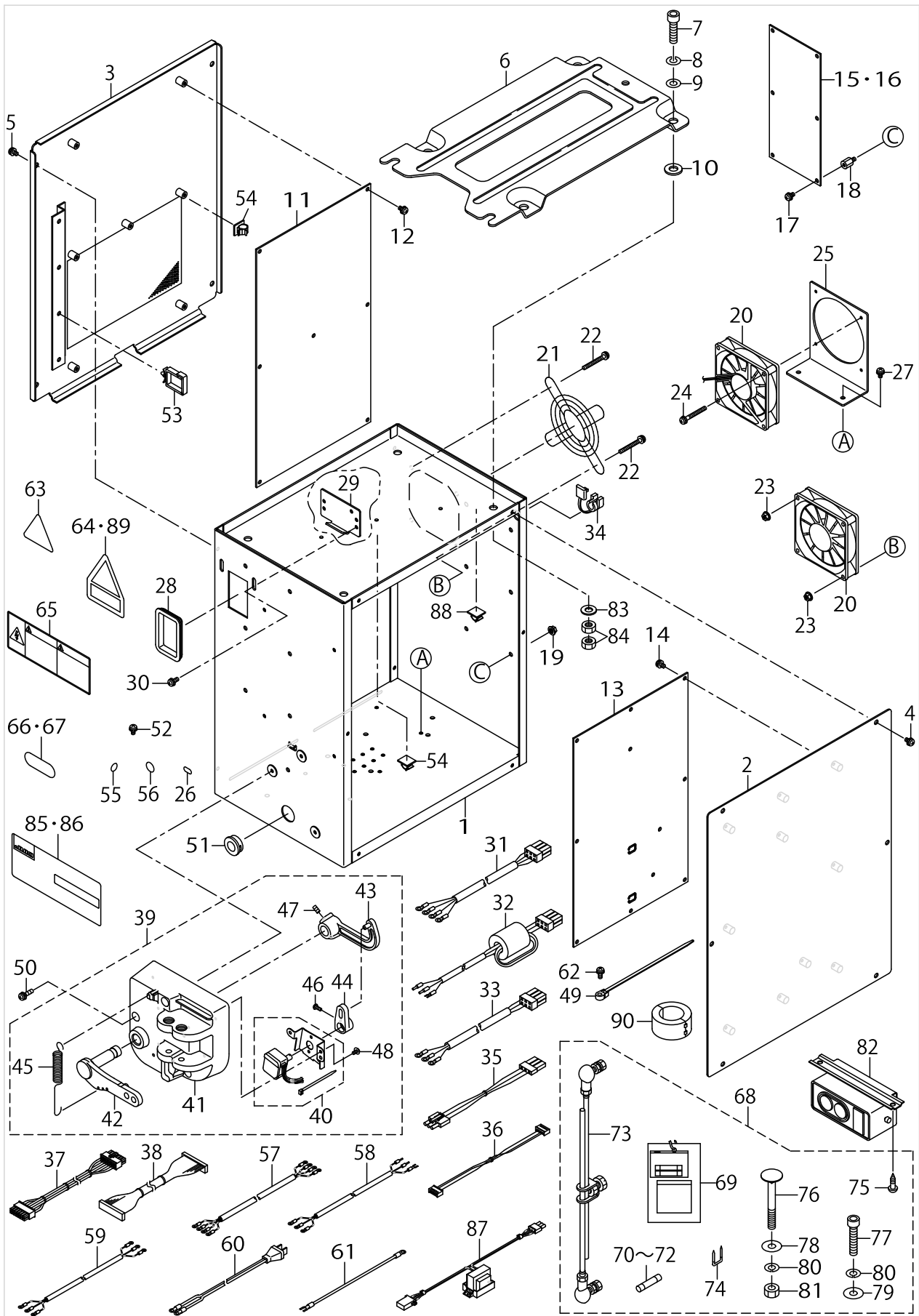
CONTROL BOX COMPONENTS



CONTROL BOX COMPONENTS

No.	Supply Code	Parts No.	Replacement	Parts name	Remarks	Choice	Step	Level	Cons	Qty	Rep. QTY
43	R	M4004461000	40006204	PEDAL RING				*		1	1.00
44		M4005461000		VOLUME LINK				*		1	
45		M4007351000		FRONT SPRING				*		1	
46		SM4030801SF		SCREW M3X0.5 L=8				*		1	
47		SM8040802TP		SCREW M4X8				*		2	
48		SV4030601SR		SCREW M3 L=6				*		2	
49		HX00151000A		CABLE PARTS	FOR CE					1	
50		SL4041681SF		SCREW M4 L=16						3	
51		HX00188000D		BUSH						1	
52		SL4040891SC		SCREW M4 L=8						2	
53		HX005110000		WIRE SADDLE						3	
54		E9607603000		STICKER (SMALL)						2	
55		E9567319000		EARTH MARK						1	
56		40003458		MASK SEAL						10	
57		M90175800A0		POWER CABLE ASM.	FOR EXPORT/USE IN JAPAN(3φ)					1	
58		40005390		POWER CABLE JE ASS'Y	FOR CE					1	
59		M90245800A0		POWER CABLE ASM. 100V	FOR EXPORT(1φ)					1	
60		M90355800A0		POWER SOURCE CORD ASM.	FOR USE IN JAPAN(1φ)					1	
61		M90195800A0		EARTH CABLE ASM.	FOR USE IN JAPAN(1φ)					1	
62		SL4041081SC		SCREW M4 L=10	FOR CE					1	
63		CM300100003		VOLTAGE WARNING LABEL(25)	FOR EXPORT(1φ),CE					1	
64		CM300400601		VOLTAGE CAUTION LABEL	FOR EXPORT(1φ),CE					1	
65		CM300100401		DANGER LABEL 3 (LARGE)	FOR EXPORT/USE IN JAPAN(3φ), USE IN JAPAN(1φ)					1	
66		BME01100000		VOLTAGE INDICATION SEAL	FOR USE IN JAPAN(1φ)					1	
67		BME03200000		VOLTAGE INDICATION SEAL	FOR EXPORT/USE IN JAPAN(3φ)					1	
68		40005385		ACCESSORIE PARTS A ASM.	ACCESSORIE PARTS					1	
69		M300451100A		VOLTAGE INDICATION CARD A				*		1	
70		HF00130315S		FUSE 3.15A 250V REF. NO.112				*		1	
71		HF003000200		FUSE 2A (220/240V)				*		1	
72		HF0013050P0		FUSE 5A				*		1	
73		22958458		CONNECTING ROD ASM. B				*		1	
74		MAO11532000		CORD STAPLE				*		3	
75		SK3512001SE		WOOD SCREW D=5.1 L=20				*		2	
76		MTSHJ100003		BOLT				*		2	
77		SM6084002TN		SCREW M8 L=40				*		1	
78		WP0852086SC		WASHER M8				*		2	
79		WP0841601SC		WASHER 8.4X17.4X1.6				*		1	
80		WS0820002KR		SPRING WASHER M8				*		3	
81		NM6080002SC		NUT M8				*		2	

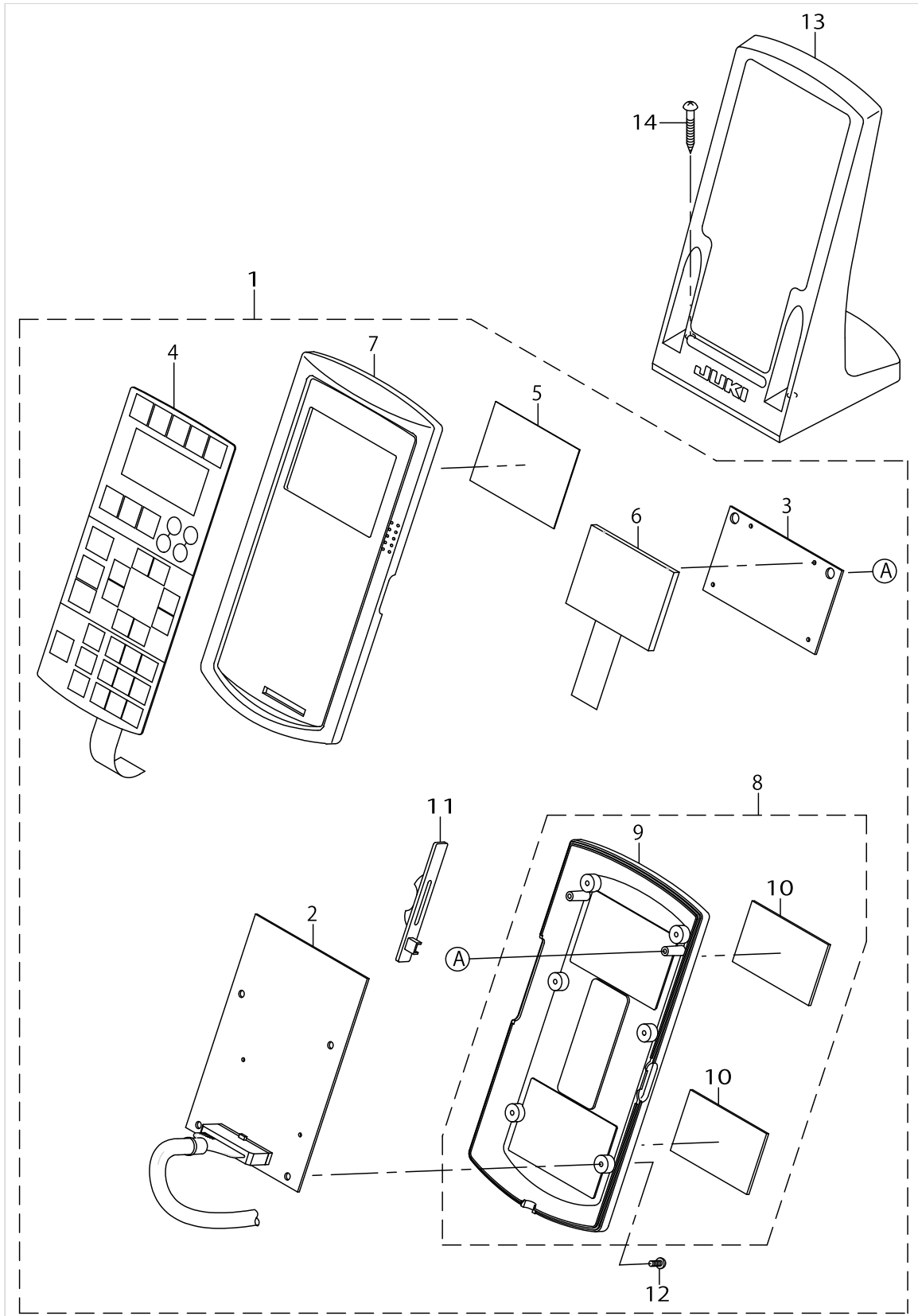
CONTROL BOX COMPONENTS



CONTROL BOX COMPONENTS

No.	Supply Code	Parts No.	Replacement	Parts name	Remarks	Choice	Step	Level	Cons	Qty	Rep. QTY
82		HA004250000		SWITCH	FOR EXPORT(1 ϕ /3 ϕ), USE IN JAPAN(1 ϕ /3 ϕ)					1	
83		WP0841601SC		WASHER 8.4X17.4X1.6						4	
84		NM6080001SC		NUT M8X1.25						8	
85		40003480		RATING LABEL A	FOR EXPORT(1 ϕ /3 ϕ), USE IN JAPAN(1 ϕ /3 ϕ)					1	
86		40003481		RATING LABEL B	FOR EXPORT(1 ϕ),CE					1	
87		40012038		REACTOR CORD ASSY	FOR CE					1	
88		E9607603000		STICKER (SMALL)	FOR CE					1	
89		CM300400701		VOLTAGE CAUTION LABEL	FOR EXPORT/USE IN JAPAN(3 ϕ)					1	
90		HN002460000		CORES	FOR CE					1	

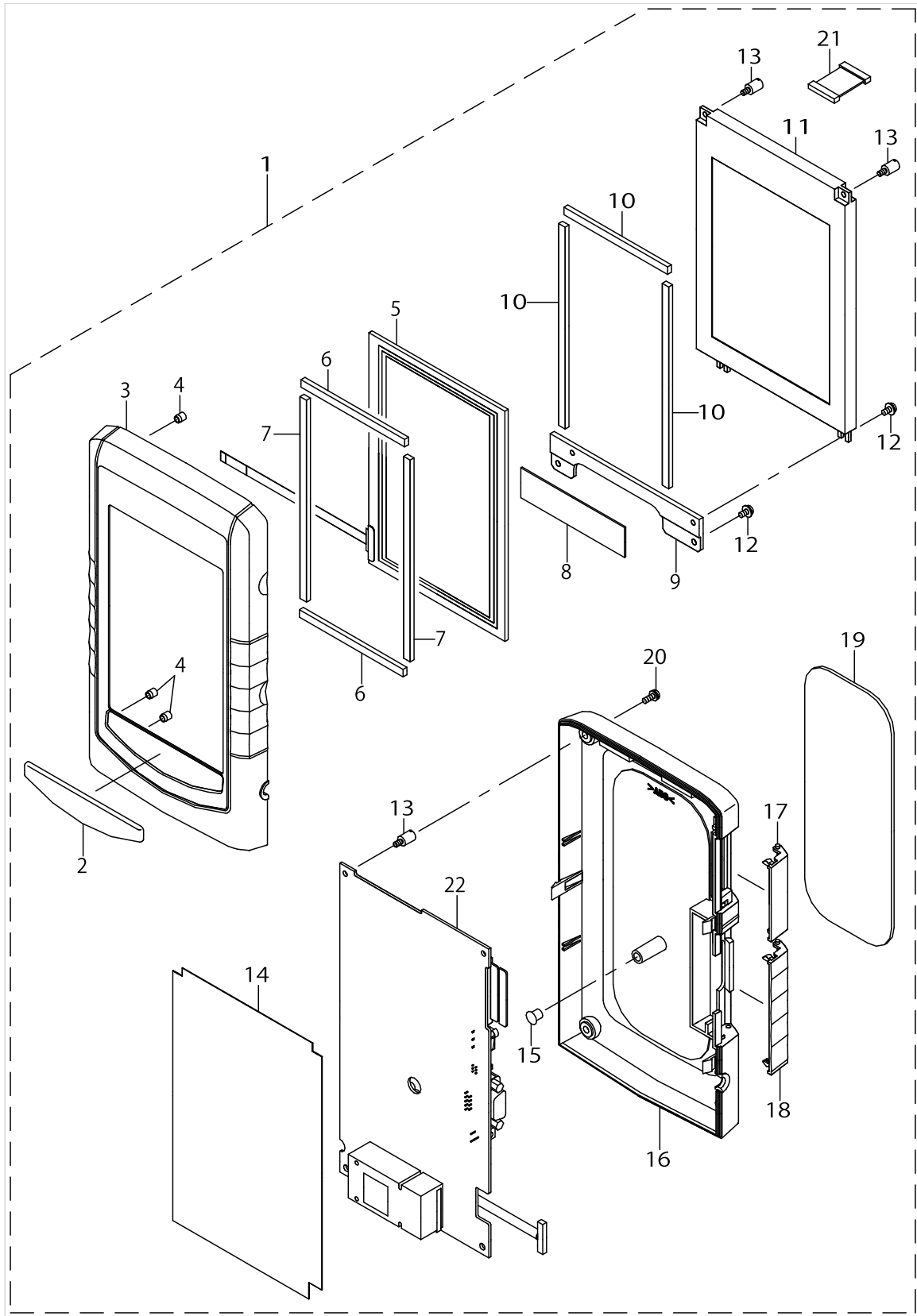
OPERATION BOX COMPONENTS



OPERATION BOX COMPONENTS

No.	Supply Code	Parts No.	Replacement	Parts name	Remarks	Choice	Step	Level	Cons	Qty	Rep. QTY
1		40003465		OPERATION PANEL A ASS'Y	FOR STANDARD PANEL MODEL					1	
2	R	40003434	40077478	PANEL1 PCB A ASS'Y				*		1	1.00
3	R	40003441	40077478	PANEL2 PCB ASS'Y		A		*		1	1.00
3	R	40003441	40108403	PANEL2 PCB ASS'Y		A		*		1	1.00
4		40003460		PANEL SHEET				*		1	
5		40003462		LCD SHEET				*		1	
6		HG007470000		LCD MODULE				*		1	
7		40003464		OPERATION BOX UPPER CASE				*		1	
8		M10315800A0		OPERATION BOX LOWER CASE ASM.				*		1	
9		M1031580000		OPERATION BOX LOWER CASE				*		1	
10		M1011580000		MAGNET SHEET				*		2	
11		M1032580000		VOLUME TONGUE				*		1	
12		ST4031051SN		TAPPING SCREW D=3-24 L=10				*		6	
13		40035024		OPERATION_BOX_FIXED_PLATE(B)ASM.						1	
14		SK3413201SE		WOOD SCREW D=4.1 L=32					2		

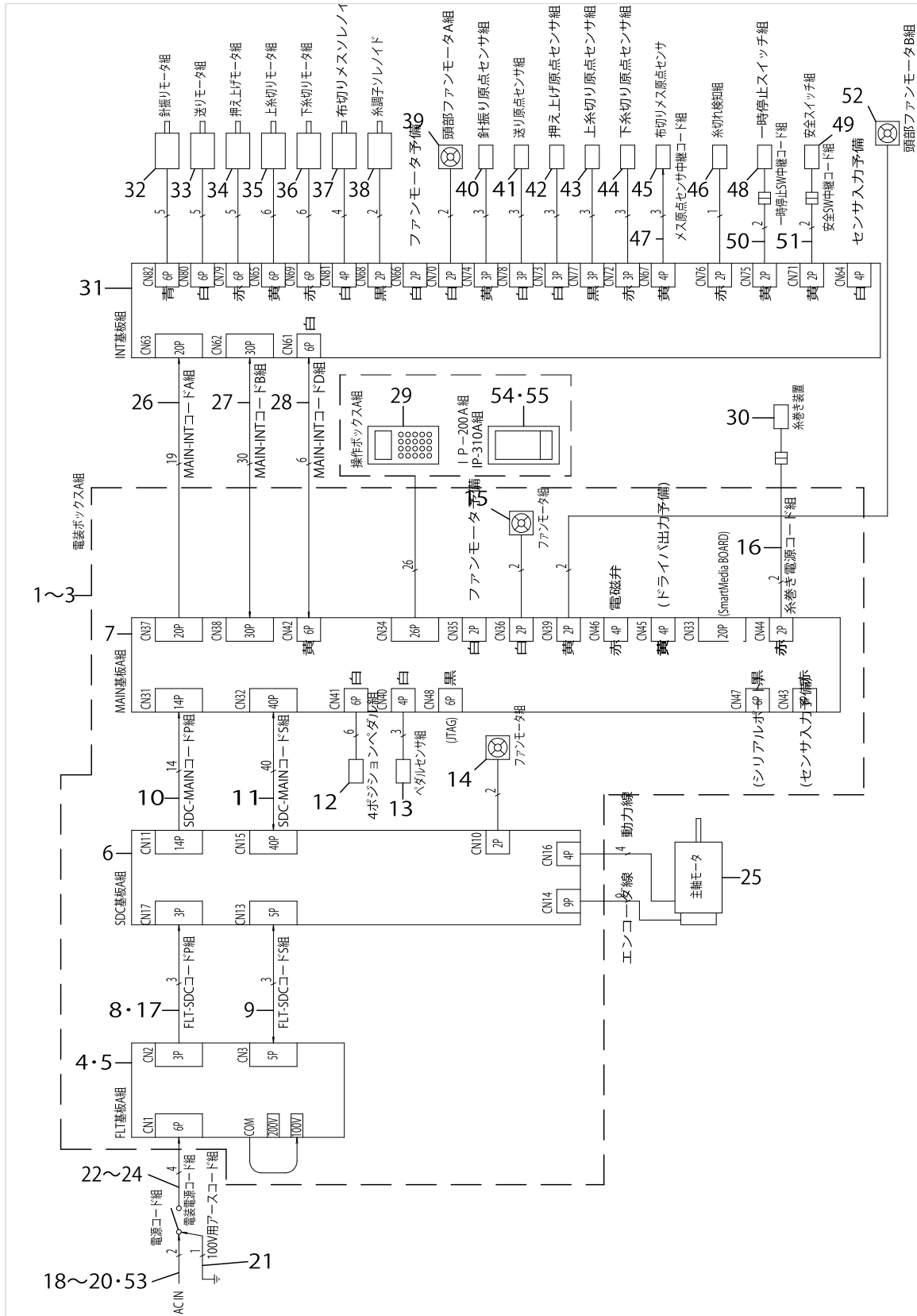
OPERATION PANEL COMPONENTS



OPERATION PANEL COMPONENTS

No.	Supply Code	Parts No.	Replacement	Parts name	Remarks	Choice	Step	Level	Cons	Qty	Rep. QTY
1	R	40009938	40112935	IP-200A_ASSY	FOR IP PA- NEL MODEL					1	1.00
2		40000131		NAME_PLATE				*		1	
3	R	40000132	40059378	OPERATION_PANEL_F		D	FOR ACF	*		1	1.00
3	R	40000132	40101221	OPERATION_PANEL_F				*		1	1.00
3	R	40000132	40105353	OPERATION_PANEL_F				*		1	1.00
3	R	40000132	40112935	OPERATION_PANEL_F				*		1	1.00
3	R	40000132	40105233	OPERATION_PANEL_F				*		1	1.00
4		40000133		INSERT_NUT				*		6	
5	R	A3906010000	A3906010000A	TOUCH PANEL				*		1	1.00
6		40000134		TTP_H_FELT				*		2	
7		40000135		TTP_V_FELT				*		2	
8		40000136		KEY_SHEET				*		1	
9		40000137		LCD_BASE_PLATE				*		1	
10		40000138		BOTHSIDES_TAPE				*		3	
11	R	A39500100A0	A39500100A0A	LCD				*		1	1.00
12		SL4030691SC		SCREW M3X6				*		4	
13		40000139		STUD				*		6	
14	R	40000140	40059378	ISOLATION_SHEET		D	FOR ACF	*		1	1.00
14	R	40000140	40101221	ISOLATION_SHEET				*		1	1.00
14	R	40000140	40105353	ISOLATION_SHEET				*		1	1.00
14	R	40000140	40112935	ISOLATION_SHEET				*		1	1.00
14	R	40000140	40105233	ISOLATION_SHEET				*		1	1.00
15		TA0550604R0		RUBBER PLUG				*		1	
16	D	40000141		OPERATION_PANEL_R				*		1	
17	D	40000142		SM_COVER				*		1	
18	D	40000143		SERIAL_COVER				*		1	
19		40000144		OPERATION_PANEL_MAGNET				*		1	
20		SL4030881SC		SCREW M3X8				*		4	
21		40000146		LCD_CABLE_ASS'Y				*		1	
22	R	40000148	40059378	PANEL_PCB_A_ASS'Y		D	FOR ACF	*		1	1.00
22	R	40000148	40101221	PANEL_PCB_A_ASS'Y				*		1	1.00
22	R	40000148	40105353	PANEL_PCB_A_ASS'Y				*		1	1.00
22	R	40000148	40112935	PANEL_PCB_A_ASS'Y				*		1	1.00
22	R	40000148	40105233	PANEL_PCB_A_ASS'Y				*		1	1.00

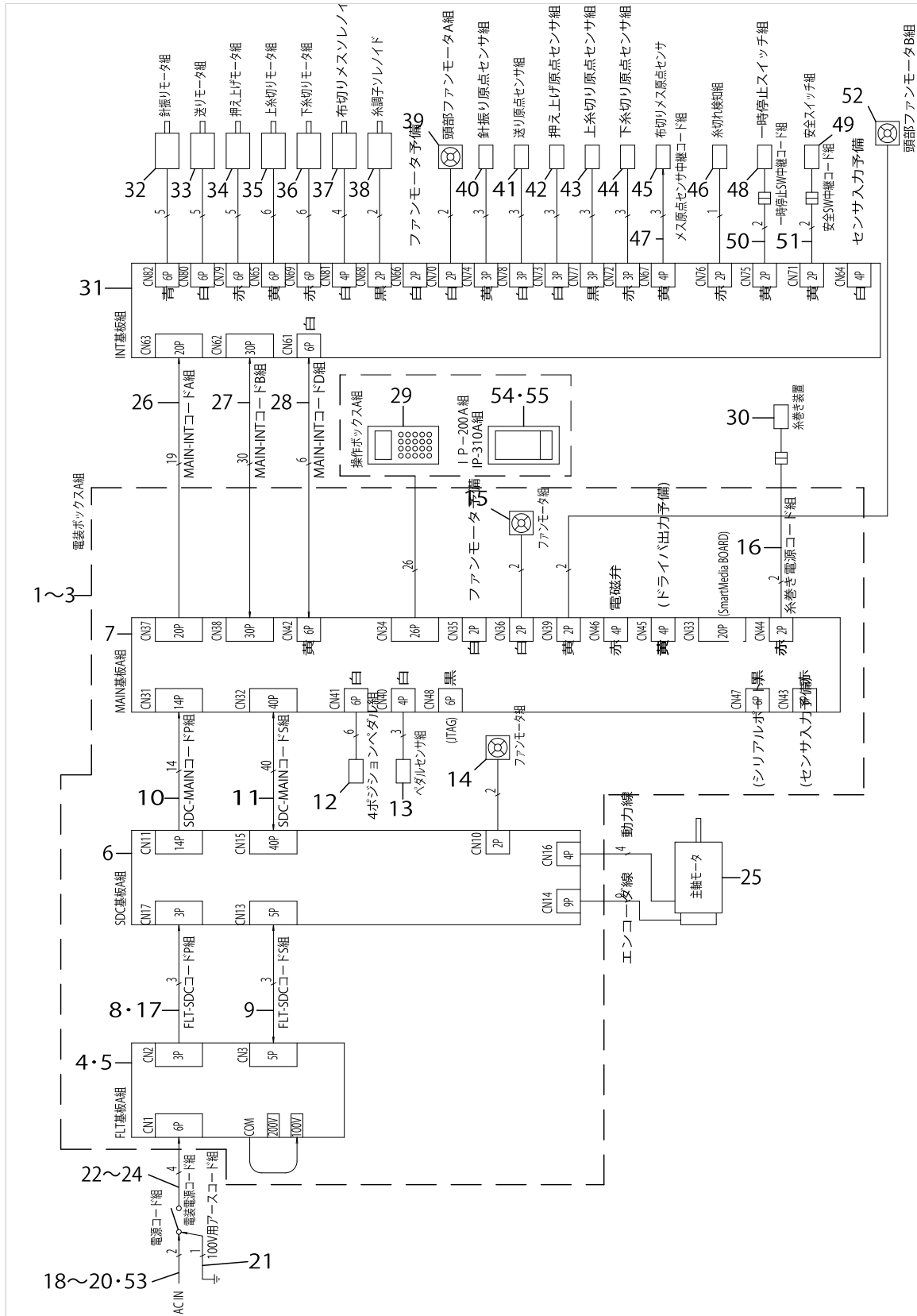
WIRING DIAGRAM



WIRING DIAGRAM

No.	Supply Code	Parts No.	Replacement	Parts name	Remarks	Choice	Step	Level	Cons	Qty	Rep. QTY
1		40003454		CONTROLBOXAASM.	FOR USE IN JAPAN(1- φ100V) F- OR EXPOR- T/USE IN JAPAN (3 φ200V)					1	
2	R	40003456	40079025	CONTROLBOXCASM.	FOR EXPO- RT(1 φ220~240V)					1	1.00
3		40003455		CONTROLBOXBASM.	FOR CE(1 φ230V)					1	
4		40000056		FLT-T PCB A ASS'Y	FOR USE IN JAPAN(1- φ100V) F- OR EXPOR- T/USE IN JAPAN (3 φ200V)			*		1	
5	R	40000046	40162838	FLT-S PCB A ASS'Y	FOR EXPO- RT(1 φ220- ~240V) F- OR CE(1 φ230V)			*		1	1.00
6	R	40000029	40082758	SDC PCB A ASS'Y				*		1	1.00
7	R	40003412	40118777	MAIN PCB A ASS'Y				*		1	1.00
8		40005393		FLT-SDC CORD P ASS'Y	FOR EXPO- RT/USE IN JAPAN (3- φ200V), E- XPORT(1- φ220~24- 0V), USE IN JAPAN(1 φ100V)			*		1	
9		40005394		FLT-SDC CORD S ASS'Y				*		1	
10		40005395		SDC-MAIN CORD P ASS'Y				*		1	
11		40005396		SDC-MAIN CORD S ASS'Y				*		1	
12		40003491		ASSY 4 POSITION PEDAL				*		1	
13		40003484		PEDAL SENSOR ASM.				*		1	
14		40005401		FAN MOTOR ASS'Y				*		1	
15		40005401		FAN MOTOR ASS'Y				*		1	
16		40005405		WINDER CORD ASS'Y				*		1	
17		40012038		REACTOR CORD ASSY	FOR CE(1 φ230V)			*		1	
18		M90175800A0		POWER CABLE ASM.	FOR EXPO- RT/USE IN JAPAN (3 φ200V)					1	
19		M90245800A0		POWER CABLE ASM. 100V	FOR EXPO- RT(1 φ220~240V)					1	
20		40005390		POWER CABLE JE ASS'Y	FOR CE(1 φ230V)					1	
21		M90345800A0		GROUND CORD ASM.	FOR USE IN JAPAN(1 φ100V)					1	
22		40005391		POWER CORD 3P ASS'Y	FOR USE IN JAPAN(1- φ100V) F- OR EXPOR- T/USE IN JAPAN (3 φ200V)					1	
23		40005388		POWER CORD 1P220V ASS'Y	FOR EXPO- RT(1 φ220~240V)					1	
24		40005392		POWER CORD 1P ASS'Y	FOR CE(1 φ230V)					1	
25		40028015		AC SERVO MOTOR						1	
26		40005397		MAIN-INT CORD A ASS'Y						1	
27		40005398		MAIN-INT CORD B ASS'Y						1	
28		40005399		MAIN-INT CORD D ASS'Y						1	
29		40003465		OPERATION PANEL A ASS'Y	FOR STAN- DARD PAN- EL MODEL					1	

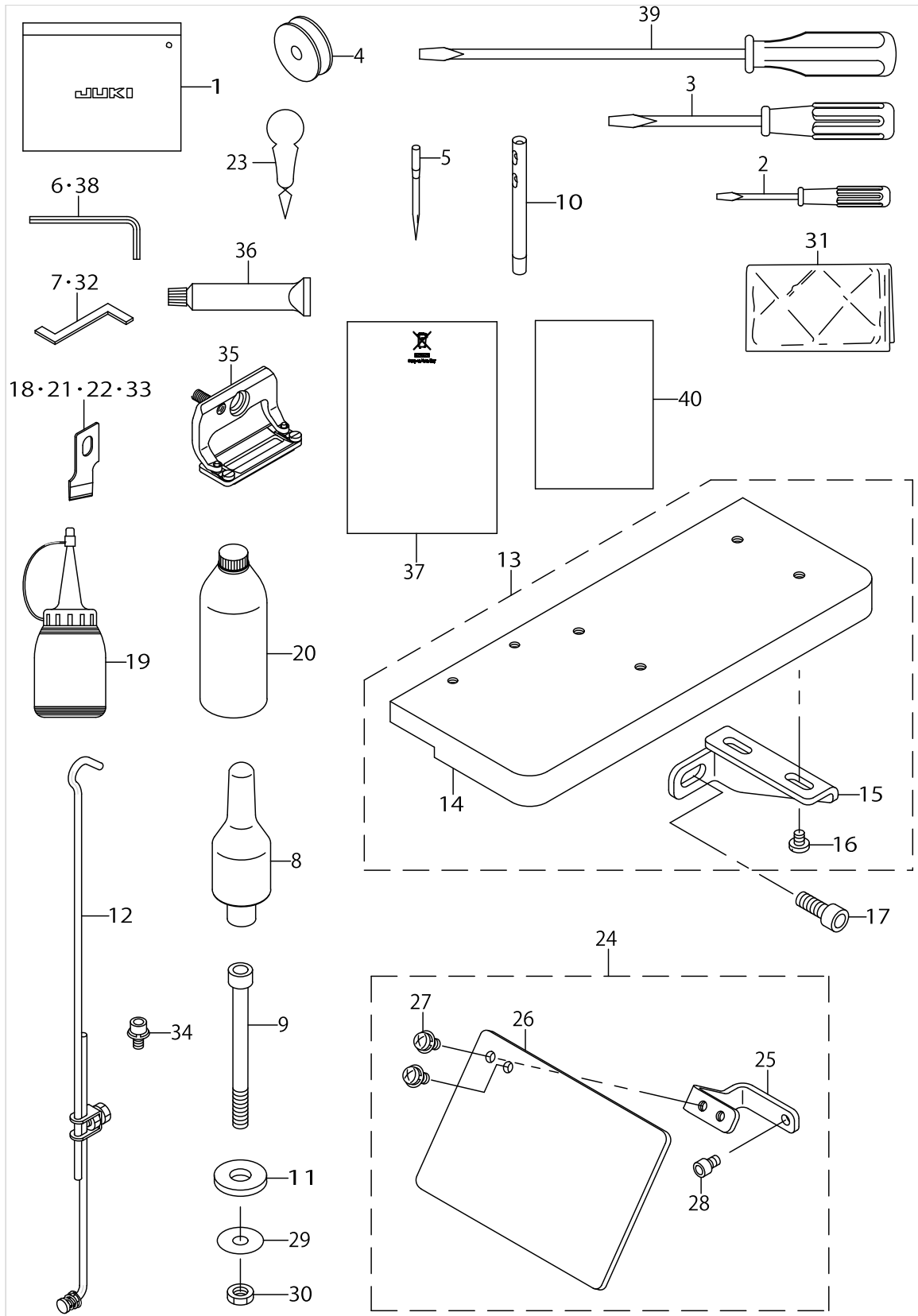
WIRING DIAGRAM



WIRING DIAGRAM

No.	Supply Code	Parts No.	Replacement	Parts name	Remarks	Choice	Step	Level	Cons	Qty	Rep. QTY
30	D	G50011980A0A		BOBBINWINDERASM.						1	
31	R	40003422	40122600	INT PCB ASS'Y						1	1.00
32		40005371		NEEDLE SWING MOTOR ASS'Y						1	
33		40005372		FEED MOTOR ASS'Y						1	
34		40005373		CLAMP MOTOR ASS'Y						1	
35		40005374		UT TRIM MOTOR ASS'Y						1	
36		40005375		LT TRIM MOTOR ASS'Y						1	
37		40004382		SOLENOID						1	
38		40006261		ASSY AT SOLENOID						1	
39		40119461		HEAD FAN MOTOR A ASSY						1	
40		40005377		NEEDLE SWING SENSOR ASSY						1	
41		40005378		FEED SENSOR ASS'Y						1	
42		40005379		CLAMP SENSOR ASS'Y						1	
43		40005380		UT TRIM SENSOR ASS'Y						1	
44		40005381		LT TRIM SENSOR ASS'Y						1	
45		HD00057000A		PHOTO SENSOR						1	
46		40003499		THREAD BREAK DETECTOR A						1	
47		40005382		CUTTER SENSOR JOINT CORD						1	
48		32002354		SWITCH ASM.						1	
49		40003495		SAFETY SWITCH ASS'Y						1	
50		40005400		PAUSE SWITCH JOINT CORD						1	
51		40003497		SAFETY SWITCH JOINT CORD						1	
52		40005403		HEAD FAN MOTOR B ASS'Y						1	
53		M90355800A0		POWER SOURCE CORD ASM.	FOR USE IN JAPAN(1 φ 100V)					1	
54	R	40009938	40112935	IP-200A_ASSY	FOR IP PANEL MODEL					1	1.00
55	R	40059371	40112935	IP-310A_ASSY	FOR IP PANEL MODEL					1	1.00

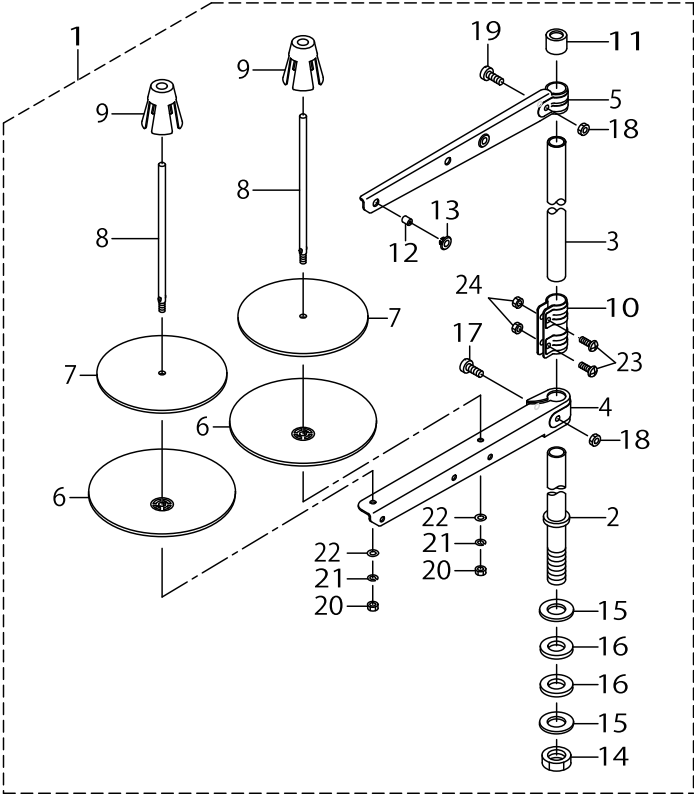
ACCESSORIE PARTS COMPONENTS



ACCESSORIE PARTS COMPONENTS

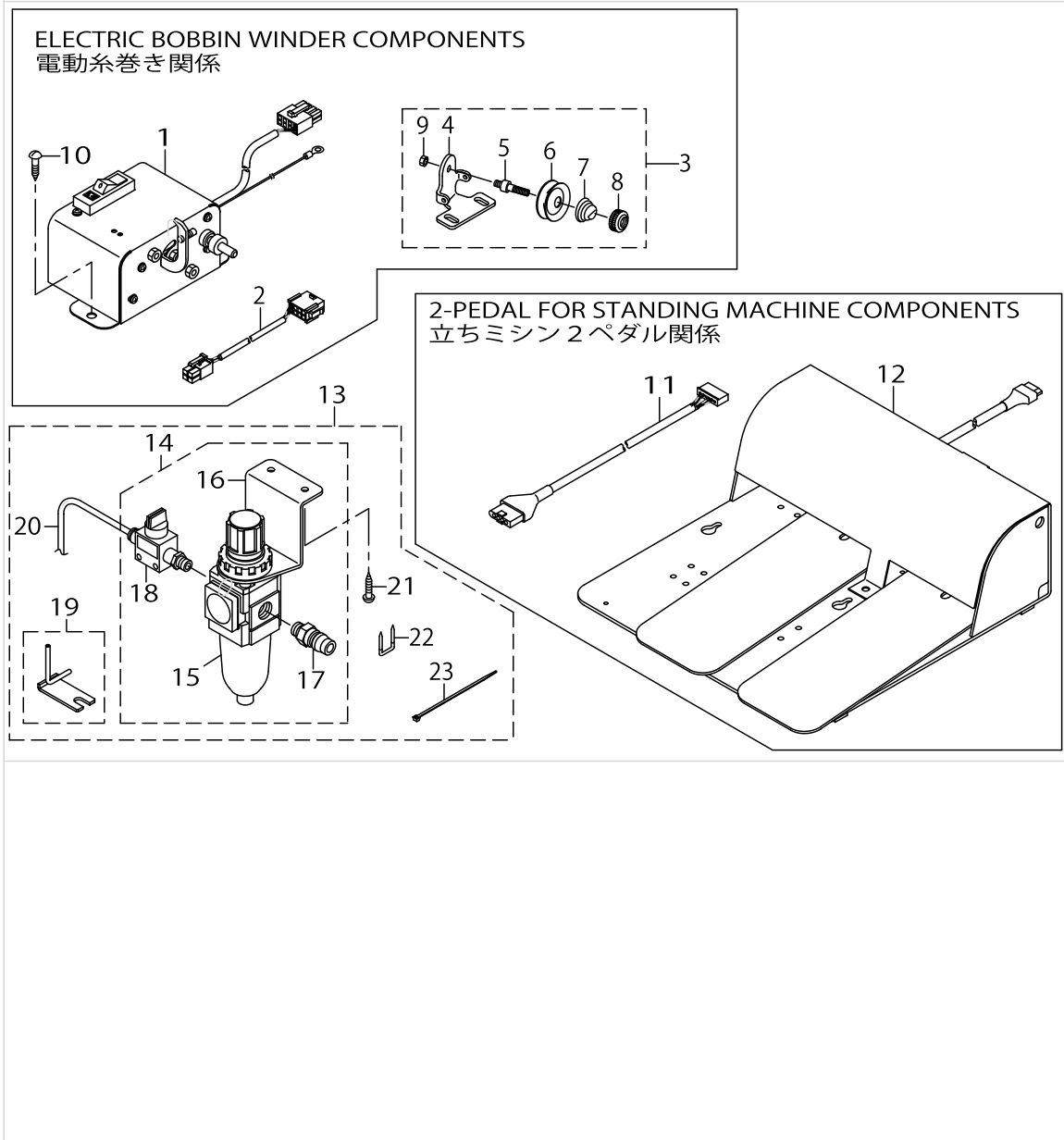
No.	Supply Code	Parts No.	Replacement	Parts name	Remarks	Choice	Step	Level	Cons	Qty	Rep. QTY
1		22932800		ACCESSORIE BAG						1	
2		22933204		SCREW DRIVER SMALL						1	
3		22933105		SCREW DRIVER MIDDLE						1	
4		40009148		BOBBIN						1	
5	R	MDP5J0B1102	MDP5J0B1100	NEEDLE DPX5 #11J-2						1	1.00
6		J106600000D		HEXAGONAL WRENCH KEY						1	
7		13782107		HOOK TIMING GAUGE K	FOR LBH-1792K					1	
8		14101208		HEAD SUPPORT BAR						1	
9		SM6067052TP		HEXAGON BOLT						4	
10		22502504		THREAD GUIDE BAR						1	
11		D6056555B00		RUBBERCUSHION(B)						4	
12		26104851		CONNECTING ROD COMPL.						1	
13		40008890		AUXILIARY TABLE ASM.						1	
14		40008889		AUXILIARY TABLE				*		1	
15		13785803		INSTALLING PLATE				*		2	
16		SS7110570SP		SCREW 11/64-40 L=4.8				*		4	
17		SM6061002TP		SCREW M6 L=10						2	
18		B2702047Q00A		KNIFE 1	FOR LBH-1790S					1	
19		J1067000000		OILER						1	
20		MDFRX1600C0		DEFRIX OIL NO.1(600CC)						1	
21		B2702047M00A		KNIFE 5/8						1	
22		B2702047L00A		KNIFE 1/2	FOR LBH-1792K					1	
23		B9107761000		THREAD PASSING INSTRUMENT						1	
24		40052047		ASSY SAFETY PLATE B						1	
25		40049424		SAFETY PLATE BESE				*		1	
26	R	B3120372000	26037200	SAFETY PLATE				*		1	1.00
27		SL4040891SC		SCREW M4 L=8				*		2	
28		SM6040602TP		SCREW M4 L=6				*		1	
29		WP0612056SD		WASHER 6.1X18.5X2						4	
30		NM6060001SD		NUT M6						8	
31		26234005		VINYL COVER						1	
32		13943402		TIMING GAUGE	FOR LBH-1790S					1	
33		B2702047K00A		KNIFE 3/8	FOR LBH-1790S					1	
34		SL6040892TN		BOLT						1	
35		B15527820A0		PRESSER FOOT 2 ASM.	FOR LBH-1790S					1	
36		40006323		JUKI GREASE A TUBE						1	
37		CM600100201		WEEE INFORMATION SHEET						1	
38		GCT02906000		HEXAGONAL SPANNER						1	
39		22933006		SCREW DRIVER LARGE						1	
40		29180403		EC PRODUCTION DECLARATION						1	

THREAD STAND COMPONENTS



THREAD STAND COMPONENTS

No.	Supply Code	Parts No.	Replacement	Parts name	Remarks	Choice	Step	Level	Cons	Qty	Rep. QTY
1		40096354		THREAD STAND ASM.						1	
2		40085784		SPOOL REST ROD LOWER				*		1	
3		40085785		SPOOL REST ROD UPPER				*		1	
4		40085786		SPOOL REST ARM LOWER				*		1	
5		40085787		SPOOL REST ARM UPPER				*		1	
6		40085788		SPOOL REST				*		2	
7		40085789		SPOOL REST CUSHION				*		2	
8		40085790		SPOOL PIN				*		2	
9		40085791		SPOOL RETAINER				*		2	
10		40085792		SPOOL REST ROD JOINT				*		1	
11		40085793		SPOOL REST ROD RUBBER CAP				*		1	
12		40085794		THREAD GUIDE				*		2	
13		40085795		THREAD GUIDE BUSHING				*		2	
14		40096325		SPOOL REST ROD NUT				*		1	
15		WP1612616SE		WASHER 16X30X2.6				*		2	
16		40085796		SPOOL REST ROD RUBBER CUSHION				*		2	
17		40096326		SPOOL REST ARM LOWER SCREW				*		1	
18		NM6050001SE		NUT M5				*		2	
19	R	40096327	SM4053001SE	SPOOL REST ARM UPPER SCREW				*		1	1.00
20		NM6050001SE		NUT M5				*		2	
21		WS0510002KN		SPRING WASHER M5				*		2	
22		WP0531001SC		WASHER M5				*		2	
23		SM4051405SE		SCREW M5 L=14				*		2	
24		NM6050001SE		NUT M5				*		2	

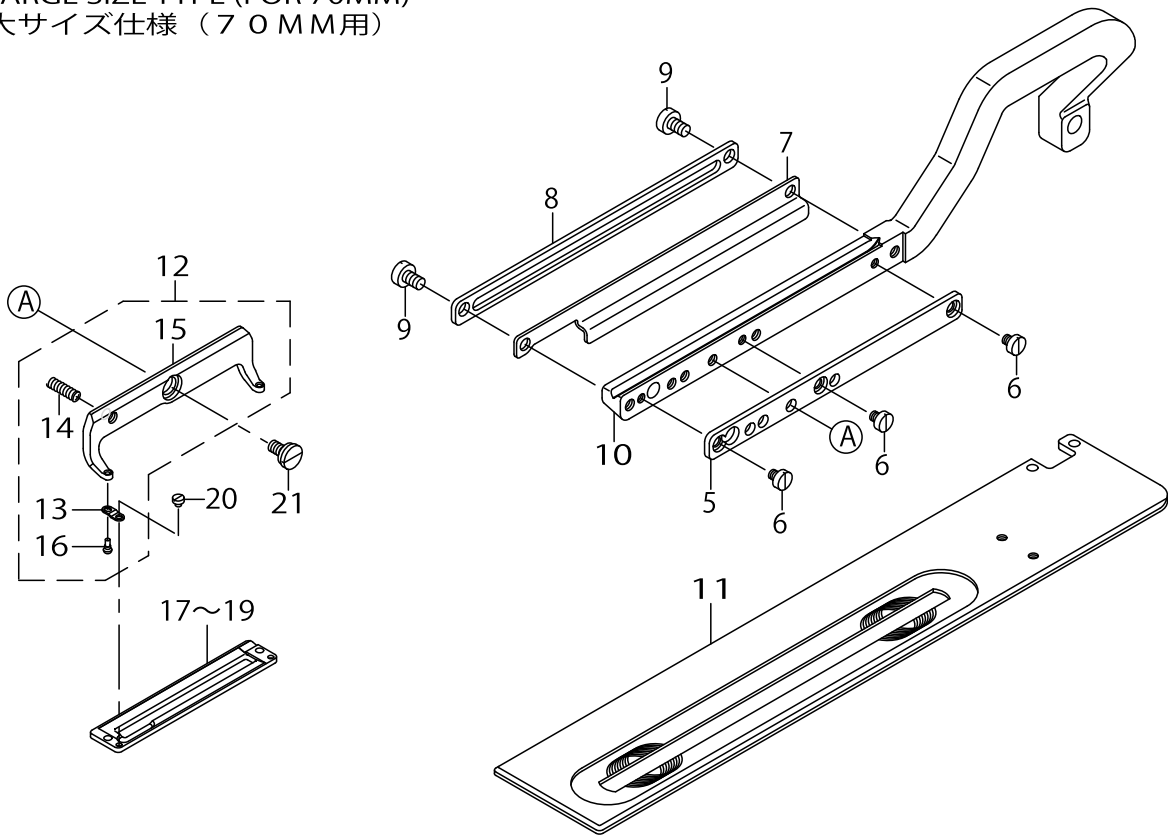


SPECIAL SPECIFICATIONS COMPONENTS (1)

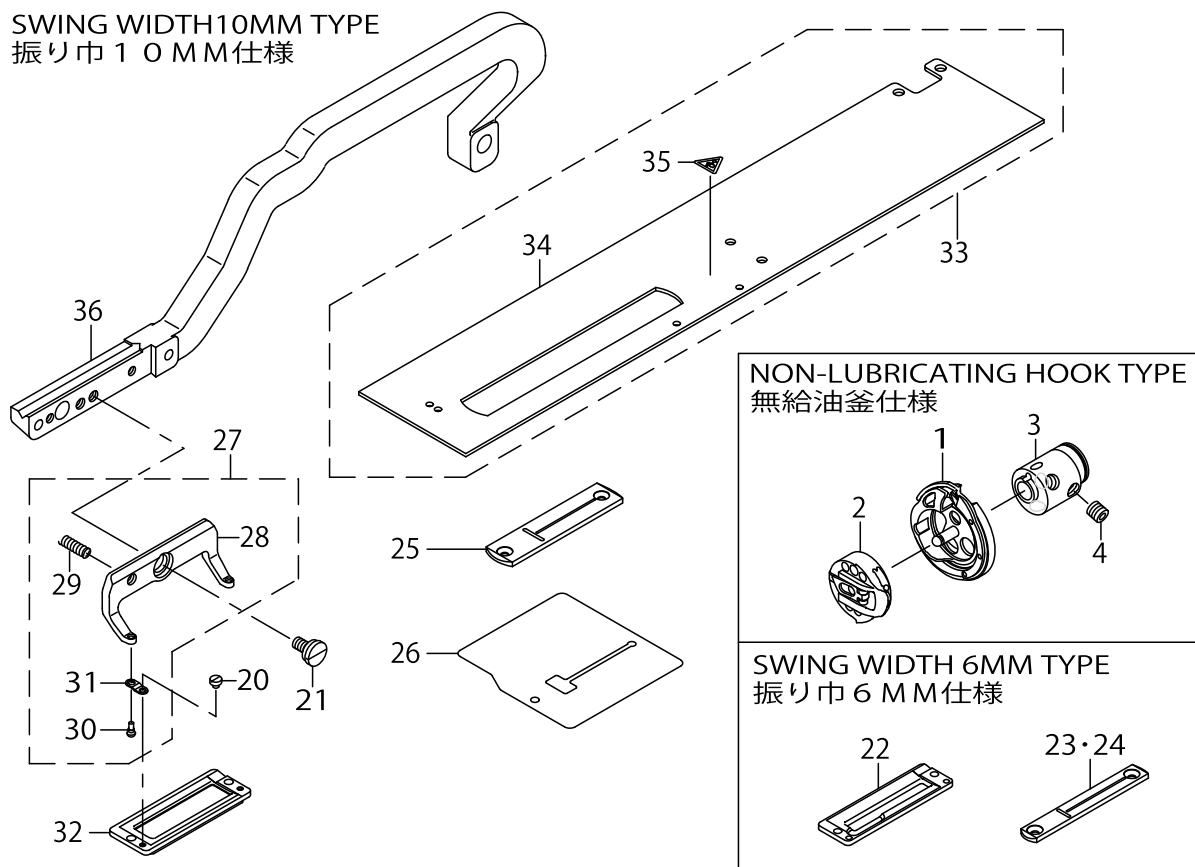
No.	Supply Code	Parts No.	Replacement	Parts name	Remarks	Choice	Step	Level	Cons	Qty	Rep. QTY
1	D	G50011980A0A		BOBBINWINDERASM.						1	
2		40005405		WINDER CORD ASS'Y						1	
3	R	B32217710A0	40053150	BOBBIN WINDER TENSION BRACKET						1	1.00
4	D	B3221771000		BOBBIN WINDER TENSION BRACKET				*		1	
5		B3219232000		BOBBIN WINDER TENSION POST				*		1	
6	R	B3214047000	22945802	BOBBIN WINDER TENSION DISC				*		2	1.00
7		B3218232000		BOBBIN WINDER TENSION SPRING				*		1	
8		B3216047000		BOBBIN WINDER TENSION NUT				*		1	
9		NS6110310SP		NUT 11/64-40				*		1	
10	R	SK3452000SC	SK3452001SE	WOOD SCREW D=4.5 L=20						4	1.00
11		40003493		PK PEDAL JOINT CORD ASS'Y						1	
12		GPK510010B0		PEDAL SWITCH ASM.						1	
13		40097040		HOOK COOLING UNIT B						1	
14		40023432		FILTER REGULATOR ASM.				*		1	
15		PF0551060A0		FILTER REGULATOR				*		1	
16		PF902005000		REGULATOR BRACKET				*		1	
17		PJ025100003		PLUG				*		1	
18		PV015122000		FINGER VALVE				*		1	
19		40094012		PIPE BRACKET ASM.				*		1	
20		BT0400251EB		URETHANE HOSE BLACK				*		1.5	
21		SK3412001SE		WOOD SCREW D=4.1 L=20				*		2	
22		MAO11532000		CORD STAPLE				*		2	
23		EA9500B0100		CABLE BAND				*		2	

SPECIAL SPECIFICATIONS COMPONENTS (2)

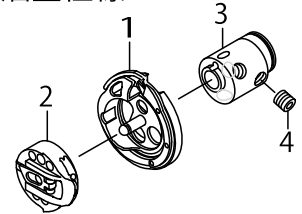
LARGE SIZE TYPE (FOR 70MM)
大サイズ仕様 (70MM用)



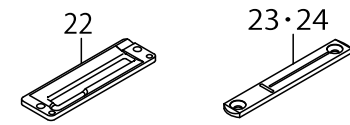
SWING WIDTH 10MM TYPE
振り巾 10MM仕様



NON-LUBRICATING HOOK TYPE
無給油釜仕様




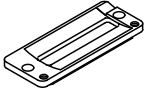
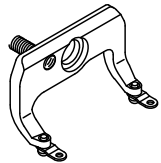
SWING WIDTH 6MM TYPE
振り巾 6MM仕様



SPECIAL SPECIFICATIONS COMPONENTS (2)

No.	Supply Code	Parts No.	Replacement	Parts name	Remarks	Choice	Step	Level	Cons	Qty	Rep. QTY
1		40006345		RP_HOOK_ASM.						1	
2		40006349		RP_BOBBIN_CASE						1	
3		13729603		HOOK SLEEVE						1	
4		SS8660612TP		SCREW 1/4-40 L=6						4	
5		40006340		WORK_CLAMP_HOLDER_SPACE	FOR PRESSER 70MM					1	
6		SM6040450TP		SCREW M4 L=4	FOR PRESSER 70MM					3	
7		40028682		UTT_CLOSE_CAM_120B						1	
8		40112711		LIFTING_PLATE_120						1	
9		SM6050800SP		SCREW M5 L=8						2	
10		40006335		WORK_CLAMP_ARM_120						1	
11		40006339		WORK_CLAMP_CARRIER_120						1	
12		14523252		PRESSER FOOT 70 ASM.	FOR PRESSER 70MM					1	
13		B1509761000		PRESSER FITTING PLATE SPRING				*		2	
14		B1512761000		PRESSER FOOT HOLDER SPRING				*		1	
15		14523203		PRESSER FOOT 70				*		1	
16		B151077100B		PRESSER FOOT PIN B				*		2	
17		14523708		URETHANE PRESSER 70	FOR PRESSER 70MM					1	
18	D	14524102		PRESSER 70 (FLAT)	FOR PRESSER 70MM					1	
19		14523401		PRESSER 70	FOR PRESSER 70MM					1	
20		SS6060210SP		SCREW 3/32-56 L=1.9						6	
21		SD0790203SP		HINGE SCREW D=7.94 H=2	FOR PRESSER 70MM					3	
22		14524409		PRESSER 6MM	FOR SWING WIDTH 6MM					1	
23		40004351		THROAT_PLATE(S6)	FOR SWING WIDTH 6MM					1	
24		40004353		THROAT_PLATE(K6)	FOR SWING WIDTH 6MM					1	
25		40015733		THROAT_PLATE(S10)	FOR SWING WIDTH 10MM					1	
26		40015802		OIL_SHIELD_10	FOR SWING WIDTH 10MM					1	
27		40020010		WORK_CLAMP_HOLDER(3-10)_ASSY	FOR SWING WIDTH 10MM					1	
28		40020011		WORK_CLAMP_HOLDER(3-10)				*		1	
29		40008638		WORK_CLAMP_CHECK_HOLDER_SPRING_B				*		1	
30		B151077100B		WORK_CLAMP_CHECK_SPRINGSETPIN(B)				*		2	
31		B1509761000		WORK_CLAMP_CHECK_SPRING				*		2	
32		40017810		WORK_CLAMP(3S-10)	FOR SWING WIDTH 10MM					1	
33		40020014		WORK_CLAMP_CARRIER(10X41)_CL	FOR SWING WIDTH 10MM					1	
34		40020012		WORK_CLAMP_CARRIER(10X41)				*		1	
35		CM300200001		ATTENTION SEAL				*		1	
36		40020013		WORK_CLAMP_ARM(10X41)	FOR SWING WIDTH 10MM					1	

EXCHANGING PARTS

Cloth Cutting Knife 布切りメス		Presser Foot (Length of Cloth Cutting Knife) 押え (布切りメス長さ)			Presser Foot (Presser Size) 押え足 (押えサイズ)
					
標準 Standard		標準 Standard	メリヤス用 For Hoisier	標準 (振り巾6mm) Standard (For swing width 6mm)	標準 Standard
inch	mm	Ref.no	Ref.no	Ref.no	Ref.no
1/4	6.4	1	12 (6.4 ~ 19.1 mm)	15 (6.4 ~ 19.1 mm)	18 (6.4 ~ 31.8 mm)
3/8	9.5	2			
7/16	11.1	3			
1/2	12.7	4			
9/16	14.3	5			
5/8	15.9	6			
1 1/16	17.5	7			
3/4	19.1	8			
7/8	22.2	9	13 (6.4 ~ 25.4 mm)	16 (6.4 ~ 25.4 mm)	20 (Type 2)
1	25.4	10	14 (6.4 ~ 31.8mm)	17 (6.4 ~ 31.8 mm)	21 (Type 3)
1-1/4	31.8	11			

EXCHANGING PARTS

No.	Supply Code	Parts No.	Replacement	Parts name	Remarks	Choice	Step	Level	Cons	Qty	Rep. QTY
1		B2702047F00		KNIFE 1/4						1	
2		B2702047K00A		KNIFE 3/8						1	
3		B2702047I00		KNIFE (7/16)						1	
4		B2702047L00A		KNIFE 1/2						1	
5		B2702047V00		KNIFE 9/16						1	
6		B2702047M00A		KNIFE 5/8						1	
7		B2702047A00		KNIFE 11/16						1	
8		B2702047N00		KNIFE 3/4						1	
9		B2702047P00		KNIFE 7/8						1	
10		B2702047Q00A		KNIFE 1						1	
11		B2702047S00A		KNIFE 1-1/4						1	
12		B1552781000A		PRESSER						1	
13		B1552782000		WORK CLAMP CHECK 2						1	
14		B1552783000		WORK CLAMP CHECK 3						1	
15		D1508771K00A		LATCH WORK CLAMP CHECK						1	
16		D1508772K00		WORK CLAMP CHECK (2K)						1	
17		D1508773K00		WORK CLAMP CHECK (3K)						1	
18		14524409		WORK CLAMP CHECK						1	
19	R	D1511771KA0A	B15117710A0B	WORK CLAMP CHECK HOLDER ASM.						1	1.00
20		D1511772KA0		WORK CLAMP CHECK HOLDER ASM.						1	
21		D1511773KA0		WORK CLAMP CHECK HOLDER ASM.						1	

LIST FOR INFORMATION OF CHANGE

As to the place changed, refer to the corresponding Rev.No.
 When previous parts (Obsolated part) and new parts (Added parts) are not interchangeable with each other:
 In this case, even obsolated parts (D.) can be ordered with the obsolated part number, so select the parts with changed dates and place your orders.

変更箇所は、該当Rev.No.版をご参照ください。
 部品の互換性がない変更の場合は、削除された品番でも、ご注文できます。

40004369
 No.1346-10 Rev.No.

*A: Added parts追加部品/D: Obsolated parts削除部品/E: Erratum訂正

*	Rev. No.	Page 頁	Ref. No.	Parts No. 品番	*	Rev. No.	Page 頁	Ref. No.	Parts No. 品番
D	09	20	26	400-80415					
					A	10	20	26	401-41850
D	09	20	32	WP-0522016-SH					
D	09	20	48	400-56603					

HOW TO MAKE USE OF THIS PARTS LIST

1.Explanation of codes

1)"*"mark.....means this part is changed from the previous parts book.

As to the details of the change, refer to the "List for information of change".

2)"#01".....refer to "Note" explanation at bottom of page.

2.Codes on the "Qty" column

• Each numeral indicates the number of parts required.

• "0.1" and "2.5" indicate the length (in meters) of the respective parts.

3.Parentheses mean that the corresponding part is a subpart that constructs an assembly part.

4.Dotted lines on the Figures indicate assembly parts.

1."注記"欄の記号説明

1) "*"印.....前回のパーツブックに比較して今回変更された部品を意味します。

変更内容は、"変更情報リスト"を参照してください。

2) "#01".....ページ下の"注記"の説明を参照してください。

2.数量欄の数字は、個数を表し、0.1、2.5等の数値は、長さ（単位メートル）を表します。

3.数量欄の（ ）は、組部品を構成している子部品であることを意味します。

4.イラストページの-----枠は、組構成であることを意味します。

NUMERICAL INDEX OF PARTS

PART NO	PAGE	REF NO.	PART NO	PAGE	REF NO.	PART NO	PAGE	REF NO.
10006104	6	18	13926308	16	46	26260307	6	30
11050804	10	9	13943303	4	56	26260406	6	31
11072402	8	62	13943402	54	7-32	26260505	6	32
11093606	8	63	14101208	54	8	26260604	6	33
11155108	36	3	14504401	14	17	26260802	6	35
11155207	36	4	14516603	4	75	26261206	6	39
11157559	36	8	14516801	30	64	26261305	6	40
11157666	36	9	14516900	4	77	26261503	6	41
11157765	36	10	14523203	60	15	26261602	6	42
11157963	36	11	14523252	60	12	26261701	6	43
11158060	36	12	14523401	60	17~19	29180403	54	40
11158300	36	13	14523708	60	17~19	32002354	2	39
11158409	36	14	14524102	60	17~19	32002354	52	48
11158516	36	21	14524409	60	22	32055402	6	21
11158607	36	15	14524409	62	18	40000029	40	13
11159001	36	25	17007402	36	16	40000029	50	6
11272507	24	24	17845009	40	29	40000046	40	15-16
13127402	16	43	22502504	2	42	40000046	50	4-5
13700406	4	51	22502504	54	10	40000056	40	15-16
13700505	4	52	22528764	2	41	40000056	50	4-5
13700604	4	50	22529473	8	60	40000131	48	2
13700703	4	62	22529481	8	59	40000132	48	3
13705405	4	69	22891204	12	41	40000133	48	4
13706403	22	38	22891204	16	3	40000134	48	6
13710306	14	11	22932800	54	1	40000135	48	7
13710405	14	20	22933006	54	39	40000136	48	8
13710504	10	7	22933105	54	3	40000137	48	9
13710504	14	12	22933204	54	2	40000138	48	10
13727102	30	54	22958458	42	73	40000139	48	13
13729066	14	13-16	23530405	22	4	40000140	48	14
13729306	30	55	23536204	14	6	40000141	48	16
13729603	60	3	23605207	10	25	40000142	48	17
13729660	14	10	23630007	14	26	40000143	48	18
13729769	14	29	23636400	10	24	40000144	48	19
13731906	36	38	23638109	4	78	40000146	48	21
13737408	28	29	23638208	4	80	40000148	48	22
13738802	32	45	23638307	4	79	40003412	40	11
13746508	32	21	23638406	4	81	40003412	50	7
13750807	32	25	26104851	54	12	40003422	52	31
13782065	14	13-16	26230409	2	13	40003434	46	2
13782107	54	7-32	26230409	8	58	40003441	46	3
13785803	54	15	26230409	30	79	40003451	40	1
13817754	36	24	26234005	54	31	40003452	40	2
13900956	2	17	26260109	6	28	40003453	40	3
13922208	4	70	26260208	6	29	40003454	50	1~3

NUMERICAL INDEX OF PARTS

PART NO	PAGE	REF NO.	PART NO	PAGE	REF NO.	PART NO	PAGE	REF NO.
40003455	50	1~3	40004187	14	9	40004254	24	6
40003456	50	1~3	40004188	14	5	40004254	28	11
40003458	42	56	40004192	10	35	40004255	26	70
40003460	46	4	40004194	16	5	40004264	24	33
40003462	46	5	40004195	18	86	40004265	24	34
40003464	46	7	40004197	16	7	40004266	16	29
40003465	46	1	40004198	16	8	40004267	16	42
40003465	50	29	40004199	16	27	40004270	16	35
40003480	44	85-86	40004200	16	9	40004271	18	53
40003481	44	85-86	40004201	16	10	40004272	18	57
40003484	40	39	40004203	16	12	40004273	16	31
40003484	50	13	40004204	16	13	40004274	18	52
40003485	40	40	40004205	16	18	40004275	16	33
40003491	36	37	40004206	12	46	40004276	18	49
40003491	50	12	40004209	12	45	40004277	18	56
40003493	58	11	40004211	32	44	40004278	16	36
40003495	4	74	40004212	22	30	40004279	18	51
40003495	52	49	40004213	22	31	40004280	18	50
40003496	4	76	40004214	22	25	40004281	18	47
40003497	52	51	40004215	22	36	40004282	16	34
40003499	6	26	40004216	22	34	40004283	18	54
40003499	52	46	40004217	22	35	40004285	18	48
40004153	2	1	40004218	22	33	40004286	18	55
40004154	2	3	40004219	32	23	40004287	18	58
40004155	2	5	40004221	22	32	40004288	18	59
40004156	2	9	40004222	22	29	40004289	16	41
40004157	2	7	40004223	22	1	40004291	16	32
40004158	2	43	40004224	22	21	40004292	24	35
40004159	2	11	40004229	26	49	40004293	24	28
40004160	2	44	40004232	26	52	40004294	24	32
40004161	2	15	40004234	24	37	40004296	24	36
40004163	30	71	40004235	24	26	40004297	24	66
40004164	30	70	40004236	24	43	40004297	26	66
40004167	10	27	40004238	24	27	40004298	24	67
40004169	10	28	40004240	26	50	40004298	26	67
40004170	10	20	40004243	26	63	40004299	28	69
40004171	10	19	40004244	24	41	40004299	30	69
40004179	10	36	40004245	24	42	40004299	38	52
40004179	32	46	40004246	26	64	40004301	28	46
40004180	14	18	40004247	24	40	40004306	28	39
40004182	10	2	40004248	24	38	40004308	30	51
40004183	10	6	40004249	26	62	40004309	30	48
40004184	10	5	40004250	26	65	40004311	28	36
40004185	10	4	40004252	6	22	40004321	30	50
40004186	14	8	40004252	24	39	40004324	30	81

NUMERICAL INDEX OF PARTS

PART NO	PAGE	REF NO.	PART NO	PAGE	REF NO.	PART NO	PAGE	REF NO.
40004327	28	68	40004394	32	17	40005397	6	17
40004327	30	68	40004395	32	29	40005397	50	26
40004327	38	53	40004396	32	18	40005398	50	27
40004328	30	73	40004397	32	19	40005399	8	51
40004329	28	22	40004398	32	20	40005399	50	28
40004330	28	1	40004400	24	17	40005400	52	50
40004331	28	23	40005371	22	8	40005401	40	20
40004332	28	2	40005371	52	32	40005401	50	15
40004335	28	18	40005372	16	1	40005403	4	46
40004343	28	27	40005372	52	33	40005403	52	52
40004344	28	28	40005373	16	30	40005404	40	25
40004345	30	52	40005373	52	34	40005405	50	16
40004346	30	77	40005374	26	46	40005405	58	2
40004347	30	53	40005374	52	35	40006261	6	1
40004348	30	78	40005375	28	31	40006261	52	38
40004349	30	80	40005375	52	36	40006263	6	2
40004351	60	23·24	40005377	22	15	40006264	6	3
40004353	60	23·24	40005377	52	40	40006265	6	23
40004360	36	41	40005378	16	2	40006300	12	42
40004361	36	42	40005378	52	41	40006306	36	1
40004362	36	43	40005379	16	44	40006307	12	44
40004363	36	44	40005379	52	42	40006312	14	23
40004364	38	50	40005380	26	47	40006314	4	49
40004367	2	24	40005380	52	43	40006315	32	43
40004373	22	23	40005381	28	19	40006317	14	21
40004374	22	24	40005381	52	44	40006320	14	25
40004375	22	6	40005382	32	15	40006321	14	30
40004376	22	14	40005382	52	47	40006322	14	22
40004377	22	7	40005385	42	68	40006323	54	36
40004378	22	2	40005388	40	33	40006335	20	13
40004379	22	3	40005388	50	22~24	40006335	60	10
40004380	22	16	40005390	42	58	40006339	20	7
40004381	32	1	40005390	50	18~20·53	40006339	60	11
40004382	32	3	40005391	40	31	40006340	60	5
40004382	52	37	40005391	50	22~24	40006345	60	1
40004383	32	6	40005392	40	32	40006349	60	2
40004384	32	2	40005392	50	22~24	40008339	10	40
40004385	32	11	40005393	40	35	40008339	12	40
40004386	32	13	40005393	50	8·17	40008423	12	47
40004387	32	10	40005394	40	36	40008426	12	48
40004389	32	42	40005394	50	9	40008638	20	2
40004390	32	22	40005395	40	37	40008638	60	29
40004391	32	24	40005395	50	10	40008646	20	1
40004392	32	33	40005396	40	38	40008647	20	5
40004393	32	28	40005396	50	11	40008658	20	6

NUMERICAL INDEX OF PARTS

PART NO	PAGE	REF NO.	PART NO	PAGE	REF NO.	PART NO	PAGE	REF NO.
40008671	22	5	40022323	30	47	40101638	28	12
40008889	54	14	40022363	12	49	40101641	24	4
40008890	54	13	40023432	58	14	40101642	24	8
40008977	4	57	40027553	30	83-84	40101645	28	3
40008978	4	58	40027554	30	83-84	40101646	28	4
40009037	4	72	40028015	10	22	40101648	28	8
40009148	54	4	40028015	50	25	40101649	28	9
40009788	32	4	40028634	26	48	40108752	10	33
40009938	48	1	40028636	26	61	40108753	14	19
40009938	52	54-55	40028682	20	10	40108754	16	6
40010434	10	29	40028682	60	7	40110933	16	14
40010434	16	15	40029613	28	33	40112711	20	11
40010435	10	31	40029904	24	1	40112711	60	8
40010435	16	16	40035024	46	13	40119461	2	22
40010436	10	30	40037008	8	52	40119461	52	39
40010510	6	19	40040276	32	27	40121890	10	37
40010511	6	6	40049424	54	25	40122600	2	21
40010512	6	20	40051473	10	15	40141850	32	26
40010514	6	5	40051474	10	16	A3906010000	48	5
40010522	6	8	40052047	54	24	A39500100A0	48	11
40011143	6	27	40059371	52	54-55	B1116804000	4	65
40011144	6	34	40075297	16	4	B1414232000	22	28
40011145	6	36	40080072	10	39	B1509761000	18	78
40011146	6	37	40081403	32	16	B1509761000	20	4
40011327	30	63	40083369	12	50	B1509761000	60	31
40011355	14	31	40085784	56	2	B151077100B	18	79
40011517	10	1	40085785	56	3	B151077100B	20	3
40012038	44	87	40085786	56	4	B151077100B	60	30
40012038	50	8-17	40085787	56	5	B1511771000B	18	77
40015674	26	54	40085788	56	6	B1511772000A	18	71
40015702	24	31	40085789	56	7	B1512761000	18	80
40015733	60	25	40085790	56	8	B1512761000	60	14
40015802	60	26	40085791	56	9	B1552781000A	18	82
40017810	60	32	40085792	56	10	B1552781000A	62	12
40019551	16	45	40085793	56	11	B1552782000	62	13
40020010	60	27	40085794	56	12	B15527820A0	54	35
40020011	60	28	40085795	56	13	B1552783000	62	14
40020012	60	34	40085796	56	16	B1623180000	28	34
40020013	60	36	40094012	58	19	B1811771000	14	28
40020014	60	33	40096325	56	14	B2583210D00	36	39
40020310	18	67	40096326	56	17	B2702047A00	62	7
40021933	6	38	40096327	56	19	B2702047F00	62	1
40021998	28	32	40096354	56	1	B2702047I00	62	3
40022121	16	11	40097040	58	13	B2702047K00A	54	18-21-22-
40022322	30	49	40101638	24	7			33

NUMERICAL INDEX OF PARTS

PART NO	PAGE	REF NO.	PART NO	PAGE	REF NO.	PART NO	PAGE	REF NO.
B2702047K00A	62	2	CS1501181TP	22	17	HX00151000A	42	49
B2702047L00A	32	32	D1508771K00A	62	15	HX00188000D	42	51
B2702047L00A	54	18·21·22· ·33	D1508772K00	18	84	HX003390000	2	19
B2702047L00A	62	4	D1508772K00	62	16	HX003390000	30	75
B2702047M00A	54	18·21·22· ·33	D1508773K00	62	17	HX003390000	40	18
B2702047M00A	62	6	D1511771KA0A	18	76	HX00339000C	30	74
B2702047N00	62	8	D1511771KA0A	62	19	HX004070000	40	28
B2702047P00	62	9	D1511772KA0	18	70	HX00410000A	40	34
B2702047Q00A	54	18·21·22· ·33	D1511772KA0	62	20	HX005110000	42	53
B2702047Q00A	62	10	D1511773KA0	62	21	J106600000D	54	6·38
B2702047S00A	62	11	D3162555B00	8	54	J1067000000	54	19
B2702047V00	62	5	D6056555B00	4	61	M1011580000	46	10
B2702210000	6	24	D6056555B00	54	11	M1031580000	46	9
B2703210000	6	25	D8113555B00	36	27	M10315800A0	46	8
B3013141H0A	28	35	D8204555D00	36	6	M1032580000	46	11
B3120372000	54	26	E2002855000	4	60	M300451100A	42	69
B3214047000	8	64	E3724715000	4	66	M3801476000	40	6
B3214047000	58	6	E9567319000	42	55	M4001461000	40	41
B3216047000	58	8	E9607603000	42	88	M4002461000	40	42
B3218232000	58	7	E9607603000	44	88	M4004461000	42	43
B3219232000	58	5	EA9500B0100	4	84	M4005461000	42	44
B3221771000	58	4	EA9500B0100	8	56	M4007351000	42	45
B32217710A0	58	3	EA9500B0100	24	3	M4206461000	40	10
B81017710A0	36	7	EA9500B0100	58	23	M90175800A0	42	57
B81085550A0	36	19	G50011980A0A	52	30	M90175800A0	50	18~20·53
B8153771000	36	26	G50011980A0A	58	1	M90195800A0	6	7
B9107761000	54	23	G8039870000	14	14	M90195800A0	42	61
BME01100000	42	66·67	GCT02906000	54	6·38	M90245800A0	42	59
BME03200000	42	66·67	GPF060600A0	36	28	M90245800A0	50	18~20·53
BT0400251EB	58	20	GPF06080000	36	29	M90345800A0	50	21
CM200100001	40	26	GPK510010B0	58	12	M90355800A0	42	60
CM300100003	42	63	HA004250000	44	82	M90355800A0	52	18~20·53
CM300100401	42	65	HD000570000	36	45	MAO11532000	42	74
CM300200001	2	27	HD00057000A	32	12	MAO11532000	58	22
CM300200001	60	35	HD00057000A	52	45	MAZ16013000	26	69
CM300200003	4	68	HF00130315S	42	70~72	MDFRX1600C0	54	20
CM300400601	42	64·89	HF0013050P0	42	70~72	MDP5J0B1100	22	37
CM300400701	44	64·89	HF003000200	42	70~72	MDP5J0B1102	54	5
CM301300001	2	26	HG007470000	46	6	MTSHJ100003	42	76
CM600100201	54	37	HM0003800A0	4	48	NM3040520SC	40	23
CQ202000000	14	27	HM000480010	40	21	NM6030001SD	4	54
CS0800881TP	24	25	HM000550010	4	47	NM6040000SN	24	5
CS1201171TP	34	47	HN002460000	44	90	NM6040001SD	28	66
			HX00150000A	2	45	NM6040001SD	30	66
			HX00151000A	8	57	NM6050001SE	56	24

NUMERICAL INDEX OF PARTS

PART NO	PAGE	REF NO.	PART NO	PAGE	REF NO.	PART NO	PAGE	REF NO.
NM6050001SP	22	22	SD0800296TP	28	62	SM4030455SN	30	56
NM6050001SP	24	72	SD0800296TP	30	62	SM4030801SF	42	46
NM6050001SP	26	72	SD0800326TP	16	68	SM4041050TP	30	58
NM6050001SP	28	30	SD0800326TP	18	68	SM4051055SP	2	16
NM6060001CP	36	40	SD0800406TP	24	22	SM4051405SE	56	23
NM6060001SD	4	53	SD0801006TP	28	67	SM4051655SP	2	12
NM6060001SD	54	30	SD0801006TP	30	67	SM4051655SP	22	11
NM6060002SD	32	30	SD0801506TP	24	23	SM5030355SE	30	65
NM6080001SC	44	84	SD1000646TP	38	51	SM5040550TP	16	28
NM6080002SC	42	81	SK3311600SC	36	5	SM5040655SN	8	47
NM6080003SC	32	5	SK3412001SE	58	21	SM5040655SN	38	48
NM6080721SE	36	30	SK3413201SE	46	14	SM6030500SN	22	27
NM6100001SD	10	8	SK3452000SC	58	10	SM6030802TP	32	7
NM6120001SE	36	20	SK3482001SE	38	54	SM6031402TP	4	59
NS6110310SP	8	61	SK3512001SE	42	75	SM6040450TP	28	76
NS6110310SP	58	9	SL4030691SC	48	12	SM6040450TP	30	76
PF0551060A0	58	15	SL4030881SC	48	20	SM6040450TP	60	6
PF902005000	58	16	SL4031081SC	16	60	SM6040600SP	24	59
PJ025100003	58	17	SL4031081SC	18	60	SM6040600SP	26	59
PV015122000	58	18	SL4031081SC	22	9	SM6040600SP	28	59
RC0560711KP	6	44	SL4031081SC	26	51	SM6040600SP	30	59
RC1700001KP	6	4	SL4031081SC	28	13	SM6040602TP	2	73
RC2791218KP	14	7	SL4031091SC	32	14	SM6040602TP	4	73
RC3781518KP	10	3	SL4031091SC	36	46	SM6040602TP	8	50
RE0300000K0	24	71	SL4033091SC	40	24	SM6040602TP	16	37
RE0300000K0	26	71	SL4040881SC	40	17	SM6040602TP	24	58
RE0400000K0	6	45	SL4040891SC	40	52	SM6040602TP	26	58
SB110000600	14	2	SL4040891SC	42	52	SM6040602TP	28	57
SB110000700	10	11	SL4040891SC	54	27	SM6040602TP	30	57
SB112001600	14	1	SL4041081SC	42	62	SM6040602TP	54	28
SB115000200	14	3	SL4041091SC	40	30	SM6040750TP	22	26
SB115001500	14	4	SL4041681SF	42	50	SM6040802TP	16	61
SB120000800	10	34	SL4042581SC	2	23	SM6040802TP	18	61
SB120002700	10	14	SL4043591SC	40	22	SM6040802TP	20	14
SB307000200	18	87	SL6031042TN	38	47	SM6040802TP	24	12
SB408000100	18	88	SL6040892TN	2	63	SM6040802TP	28	15
SD0250101SP	28	42	SL6040892TN	4	63	SM6040802TP	32	34
SD0400506TP	32	39	SL6040892TN	30	72	SM6040860TP	6	10
SD0500166TP	28	43	SL6040892TN	54	34	SM6040860TP	24	11
SD0500167TP	28	44	SL9082091SE	36	22	SM6041002TP	16	38
SD0600266TP	26	57	SM0050801SC	8	53	SM6041002TP	22	10
SD0600326TP	24	21	SM0860400SN	6	9	SM6041200SP	24	13
SD0790203SP	18	83	SM1030400SP	30	82	SM6041200SP	30	60
SD0790203SP	20	9	SM1043001SP	4	64	SM6041202TP	10	38
SD0790203SP	60	21	SM4021201SC	4	82	SM6041602TP	18	62

NUMERICAL INDEX OF PARTS

PART NO	PAGE	REF NO.	PART NO	PAGE	REF NO.	PART NO	PAGE	REF NO.
SM6050652TP	2	18	SM8050502TP	32	41	WP0431005SP	28	37
SM6050652TP	24	14	SM8050602TP	18	66	WP0450826SC	6	46
SM6050652TP	38	49	SM8060552TP	16	69	WP0451016SP	28	38
SM6050800SP	18	63	SM8060552TP	18	69	WP0531001SC	56	22
SM6050800SP	20	12	SM8060612TP	32	37	WP0550800SP	26	56
SM6050800SP	24	15	SM80606A2TP	2	38	WP0612056SD	4	55
SM6050800SP	60	9	SM80606A2TP	6	14	WP0612056SD	54	29
SM6050802TP	2	71	SM80606A2TP	10	18	WP0621046SP	10	12
SM6050802TP	4	71	SM80606A2TP	14	15	WP0671016SE	36	33
SM6050802TP	6	11	SM80606A2TP	16	26	WP0841601SC	40	83
SM6050802TP	24	60	SM80606A2TP	22	19	WP0841601SC	42	83
SM6050802TP	26	60	SM80608A2TP	10	43	WP0841601SC	44	83
SM6050802TP	30	61	SM80608A2TP	12	43	WP0852086SC	42	78
SM6051002TP	18	64	SM8080812TP	14	24	WP0871602SE	36	34
SM6051202TP	18	65	SM8081652TP	10	21	WP1302501SE	36	17
SM6051202TP	26	68	SM9040700SP	28	17	WP1612616SE	56	15
SM6051202TP	32	40	SM9040700SP	32	38	WS0410002KP	6	16
SM6052002TR	10	23	SM9040800SP	6	15	WS0510002KN	56	21
SM6061002TP	2	36	SM9061203SE	36	31	WS0621210KR	36	35
SM6061002TP	16	23	SM9061403CP	10	13	WS0820002KR	40	80
SM6061002TP	22	20	SM9082023SE	36	32	WS0820002KR	42	80
SM6061002TP	32	9	SS6060210SP	18	81	WS0861410KR	36	36
SM6061002TP	54	17	SS6060210SP	20	8	WS1253010KN	36	18
SM6061200SP	32	36	SS6060210SP	60	20			
SM6061202TP	32	35	SS6111440SP	10	26			
SM6061802TP	16	24	SS7090520SP	4	83			
SM6061802TP	22	12	SS7110570SP	54	16			
SM6062502TP	12	51	SS7110840SP	8	55			
SM6067052TP	2	37	SS8660612TP	60	4			
SM6067052TP	54	9	ST4031051SN	46	12			
SM6083002TN	40	7	ST9053511SR	36	2			
SM6084002TN	42	77	SV4030601SR	42	48			
SM6104352TP	10	10	TA0550604R0	2	28			
SM8030412TP	6	13	TA0550604R0	48	15			
SM8040802TP	8	49	TA0750404R0	2	29			
SM8040802TP	42	47	TA0850604R0	4	67			
SM8050412TP	16	17	TA1050504R0	2	32			
SM8050412TP	24	19	TA1120804R0	2	33			
SM8050412TP	28	16	TA1250406R0	2	34			
SM8050502TP	8	48	TA1550902R0	2	35			
SM8050502TP	14	32	WP0430800SC	30	85			
SM8050502TP	16	85	WP0430801SC	24	30			
SM8050502TP	18	85	WP0430801SC	28	26			
SM8050502TP	22	18	WP0430801SC	32	31			
SM8050502TP	24	20	WP0431005SP	26	53			