

MODEL : AE-9/AE-12/AE-16/AE-17

List No : 1366-03

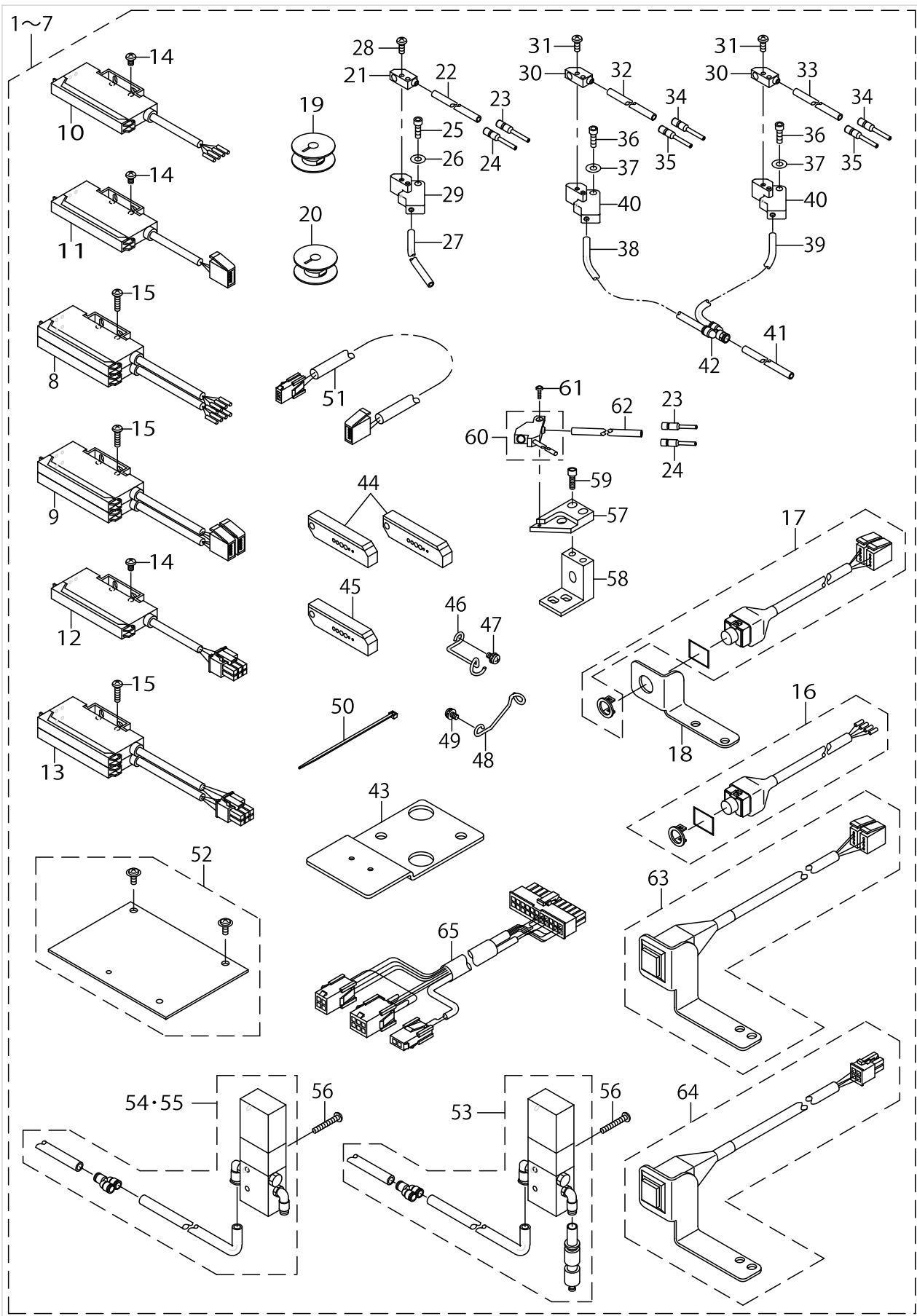
PARTS LIST

Published:05/12/2017

CONTENTS

BOBBIN THREAD REMAINING AMOUNT DETECTING DEVICE.....	1
HOW TO MAKE USE OF THIS PARTS LIST	7

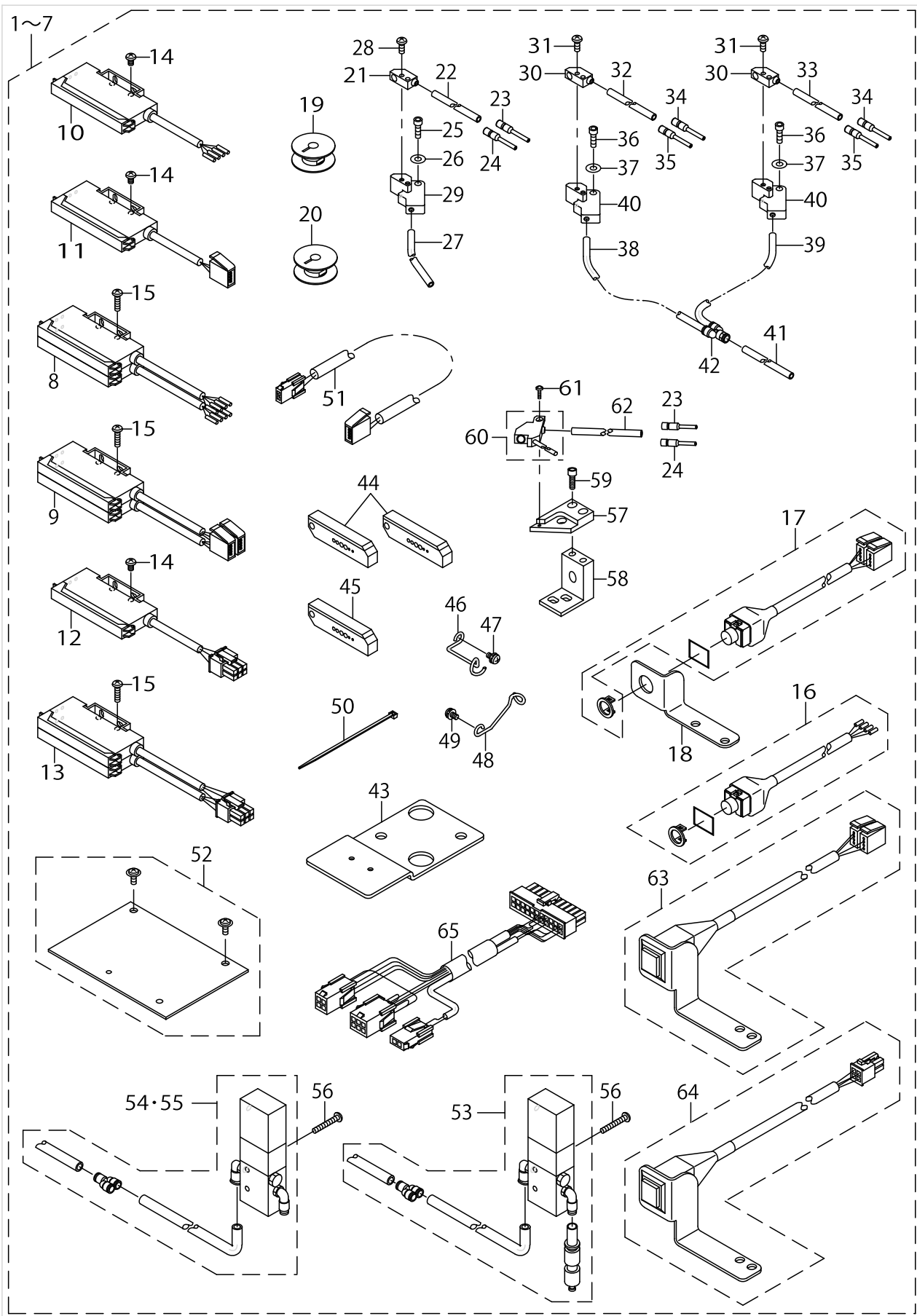
BOBBIN THREAD REMAINING AMOUNT DETECTING DEVICE



BOBBIN THREAD REMAINING AMOUNT DETECTING DEVICE

No.	Supply Code	Parts No.	Replacement	Parts name	Remarks	Choice	Step	Level	Cons	Qty	Rep. QTY
1	D	GAE09000EA0		DETECTING DEVICE KIT E	FOR AE-9 E SET					1	
2		GAE09000FA0		DETECTING DEVICE KIT F	FOR AE-9 F SET					1	
3		40029099		DETECTING DEVICE KIT G	FOR AE-9 G SET					1	
4		40029100		DETECTING DEVICE KIT H	FOR AE-9 H SET					1	
5		40105219		DETECTING DEVICE KIT A	FOR AE-16 A SET					1	
6		40105220		DETECTING DEVICE KIT B	FOR AE-16 B SET					1	
7		40105221		DETECTING DEVICE KIT	FOR AE-17					1	
8		GAE090110B0		SENSOR AMPLIFIER D ASM.	FOR AE-9 F SET			*		1	
9		40028571		SENSOR AMPLIFIER E ASM.	FOR AE-9 H SET			*		2	
10		GAE090110A0		SENSOR AMPLIFIER C ASM.	FOR AE-9 E SET			*		1	
11		40028571		SENSOR AMPLIFIER E ASM.	FOR AE-9 G SET,AE-12			*		1	
12		40102071		SENSOR AMPLIFIER A ASM.	FOR AE-16 A SET,AE-17			*		1	
13		40102072		SENSOR AMPLIFIER B ASM.	FOR AE-16 B SET			*		2	
14		SM4030501SC		SCREW M3X0.5 L=5	FOR AE-9 E,G SET,A-E-12, AE-1-6 A SET,AE-17			*		2	
15		SM4031201SC		SCREW M3X0.5 L=12				*		4	
16		GAE090100A0		DETECTING SWITCH B ASM.	FOR AE-9 E,F SET			*		1	
17		40028570		DETECTING SWITCH C ASM.	FOR AE-9 G,H SET			*		1	
18		GAE10104000		SWITCHI BRACKET	FOR AE-9			*		1	
19		40018350		ALUMINUM BOBBIN A	FOR AE-9 E,G SET,A-E-12, AE-1-6 A SET,AE-17			*		2	
20		40018350		ALUMINUM BOBBIN A	FOR AE-9 F,H SET,A-E-16 B SET			*		4	
21		GAE10107000		FIBER SENSOR	FOR AE-9 E,G SET,A-E-16 A SET			*		1	
22		BT0400251EB		URETHANE HOSE, BLACK	FOR AE-9 E,G SET,A-E-16 A SET			*		1.7	
23		GAE10117000		FIBER ADAPTER A	FOR AE-9 E,G SET,A-E-12, AE-1-6 A SET,AE-17			*		1	
24		GAE10118000		FIBER ADAPTER B	FOR AE-9 E,G SET,A-E-12, AE-1-6 A SET,AE-17			*		1	
25		SM6031002TP		SCREW M3X0.5 L=10	FOR AE-9 E,G SET,A-E-16 A SET			*		1	
26		WP0430800SC		WASHER M4	FOR AE-9 E,G SET,A-E-16 A SET			*		1	
27		BT0400251EB		URETHANE HOSE, BLACK	FOR AE-9 E,G SET,A-E-16 A SET			*		1.7	
28		SM4860801SC		SCREW M2.6 L=8	FOR AE-9 E,G SET,A-E-16 A SET			*		2	
29		GAE090050A0		SENSOR FITTING BASE ASM.	FOR AE-9 E,G SET,A-E-16 A SET			*		1	
30		GAE10107000		FIBER SENSOR	FOR AE-9 F,H SET,A-E-16 B SET			*		2	

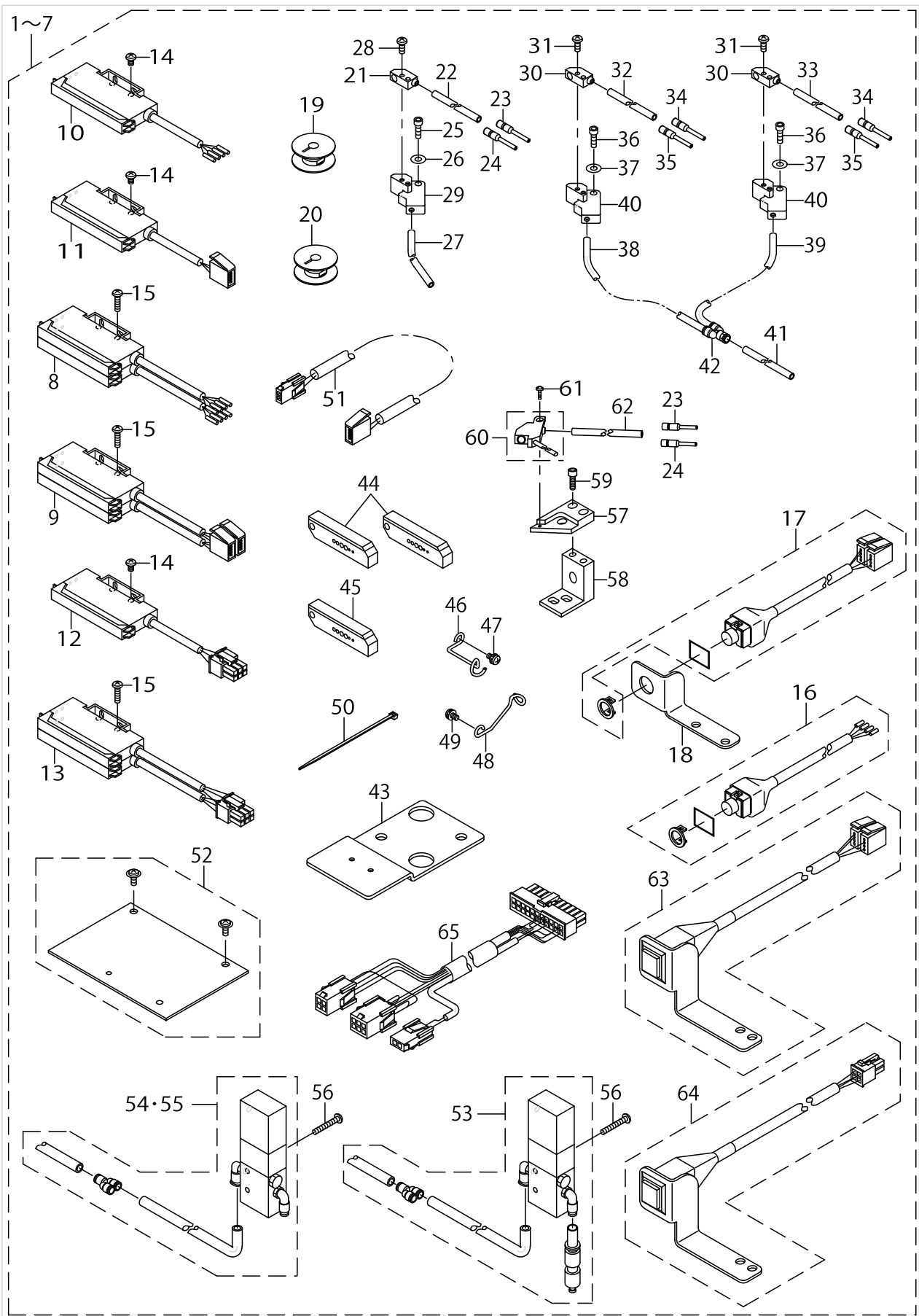
BOBBIN THREAD REMAINING AMOUNT DETECTING DEVICE



BOBBIN THREAD REMAINING AMOUNT DETECTING DEVICE

No.	Supply Code	Parts No.	Replacement	Parts name	Remarks	Choice	Step	Level	Cons	Qty	Rep. QTY
31		SM4860801SC		SCREW M2.6 L=8	FOR AE-9 F,H SET,A- E-16 B SET			*		4	
32		BT0400251EB		URETHANE HOSE, BLACK	FOR AE-9 F,H SET,A- E-16 B SET			*		1.7	
33		BT0400251EB		URETHANE HOSE, BLACK	FOR AE-9 F,H SET,A- E-16 B SET			*		1.7	
34		GAE10117000		FIBER ADAPTER A	FOR AE-9 F,H SET,A- E-16 B SET			*		2	
35		GAE10118000		FIBER ADAPTER B	FOR AE-9 F,H SET,A- E-16 B SET			*		2	
36		SM6031002TP		SCREW M3X0.5 L=10	FOR AE-9 F,H SET,A- E-16 B SET			*		2	
37		WP0430800SC		WASHER M4	FOR AE-9 F,H SET,A- E-16 B SET			*		2	
38		BT0400251EB		URETHANE HOSE, BLACK	FOR AE-9 F,H SET,A- E-16 B SET			*		0.45	
39		BT0400251EB		URETHANE HOSE, BLACK	FOR AE-9 F,H SET,A- E-16 B SET			*		0.23	
40		GAE090050A0		SENSOR FITTING BASE ASM.	FOR AE-9 F,H SET,A- E-16 B SET			*		2	
41		BT0400251EB		URETHANE HOSE, BLACK	FOR AE-9 F,H SET,A- E-16 B SET			*		1.7	
42		PJ308040002		QUICK COUPLING	FOR AE-9 F,H SET,A- E-16 B SET			*		1	
43		GAE09009000		AMPLIFIER FITTING PLATE				*		1	
44		GAE10116000		F CUTTER	FOR AE-9 F,H SET,A- E-16 B SET			*		2	
45		GAE10116000		F CUTTER	FOR AE-9 E,G SET,A- E-12, AE-1- 6 A SET,AE-17			*		1	
46		10761906		TUBE SUPPORT (RIGHT)	FOR AE-9,AE-16			*		1	
47		SL4030691SC		SCREW M3 L=6	FOR AE-9,AE-16			*		1	
48		10762003		TUBE SUPPORT (LEFT)	FOR AE-9 F,H SET,A- E-16 B SET			*		1	
49		SL4030691SC		SCREW M3 L=6	FOR AE-9 F,H SET,A- E-16 B SET			*		1	
50		EA9500B0000		CABLE BAND				*		10	
51		40028573		SOLENOID VALVE CORD ASM.	FOR AE-9 G,H SET,AE-12			*		1	
52		40023801		SC-510 IPOP_PCB_A.ASSY	FOR AE-9 G,H SET,AE-12			*		1	
53		40064819		ELECTROMAGNETIC VALVE ASM.	FOR AE-12,AE-17			*		1	
54		GAE100080A0		SOLENOID VALVE ASM.	FOR AE-9 E,F SET			*		1	
55		40028572		SOLENOID VALVE ASM.	FOR AE-9 G,H SET,AE-16			*		1	
56		SM4032001SC		SCREW M3X0.5 L=20				*		2	
57		40064826		SENSOR PLATE	FOR AE-12,AE-17			*		1	
58		40064818		BASE STOPPER	FOR AE-12,AE-17			*		1	
59		SM6041002TP		SCREW M4X0.7 L=10	FOR AE-12,AE-17			*		2	

BOBBIN THREAD REMAINING AMOUNT DETECTING DEVICE



BOBBIN THREAD REMAINING AMOUNT DETECTING DEVICE

No.	Supply Code	Parts No.	Replacement	Parts name	Remarks	Choice	Step	Level	Cons	Qty	Rep. QTY
60		40064816		FIBER SENSOR ASM.	FOR AE-12,AE-17			*		1	
61		SM4020301SC		SCREW M2X0.4 L=3	FOR AE-12,AE-17			*		1	
62		BT0400251EB		URETHANE HOSE, BLACK	FOR AE-12,AE-17			*		1	
63		40064923		DETECTING SWITCH ASM.	FOR AE-12			*		1	
64		40104414		DETECTING SWITCH ASM.	FOR AE-16,AE-17			*		1	
65		40102074		AE RELAY CORD ASM.	FOR AE-16,AE-17			*		1	

HOW TO MAKE USE OF THIS PARTS LIST

1.As to "#01" and "#02" refer to the "Note" given at the bottom of the respective pages.

2.Codes on the "Qty" column

- Each numeral indicates the number of parts required.
- "0.1" and "2.5" indicate the length (in meters) of the respective parts.

3.Parentheses mean that the corresponding part is a subpart that constructs an assembly part.

4.Dotted lines on the Figures indicate assembly parts.

1. リストページの# 0 1、# 0 2の印は、ページ下の"注記"の説明を参照下さい。
2. 数量欄の数字は、個数を表し、0. 1、2. 5等の数値は、長さ（単位メートル）を表します。
3. 数量欄の（ ）は、組部品を構成している子部品であることを意味します。
4. イラストページの-----枠は、組構成であることを意味します。

NUMERICAL INDEX OF PARTS

PART NO	PAGE	REF NO.	PART NO	PAGE	REF NO.
10761906	4	46	SM4030501SC	2	14
10762003	4	48	SM4031201SC	2	15
40018350	2	20	SM4032001SC	4	56
40023801	4	52	SM4860801SC	2	31
40028570	2	17	SM4860801SC	4	31
40028571	2	11	SM6031002TP	2	36
40028572	4	54·55	SM6031002TP	4	36
40028573	4	51	SM6041002TP	4	59
40029099	2	1~7	WP0430800SC	2	37
40029100	2	1~7	WP0430800SC	4	37
40064816	6	60			
40064818	4	58			
40064819	4	53			
40064826	4	57			
40064923	6	63			
40102071	2	12			
40102072	2	13			
40102074	6	65			
40104414	6	64			
40105219	2	1~7			
40105220	2	1~7			
40105221	2	1~7			
BT0400251EB	2	62			
BT0400251EB	4	62			
BT0400251EB	6	62			
EA9500B0000	4	50			
GAE09000EA0	2	1~7			
GAE09000FA0	2	1~7			
GAE090050A0	2	40			
GAE090050A0	4	40			
GAE09009000	4	43			
GAE090100A0	2	16			
GAE090110A0	2	10			
GAE090110B0	2	8			
GAE100080A0	4	54·55			
GAE10104000	2	18			
GAE10107000	2	30			
GAE10116000	4	45			
GAE10117000	2	34			
GAE10117000	4	34			
GAE10118000	2	35			
GAE10118000	4	35			
PJ308040002	4	42			
SL4030691SC	4	49			
SM4020301SC	6	61			