

MODEL : SC-500

List No : 1383-02

# PARTS LIST

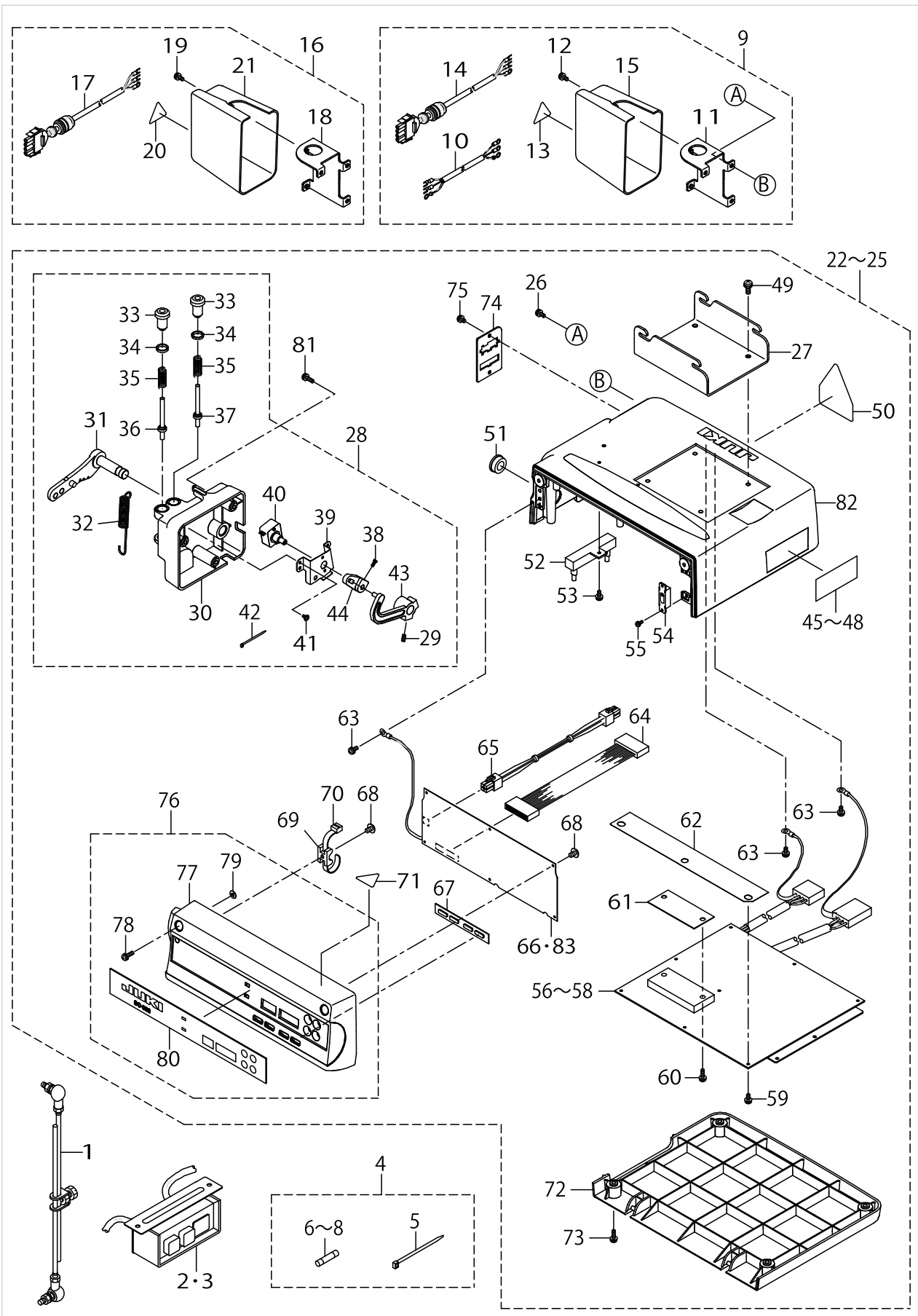
Published:05/12/2017

## CONTENTS

---

PSC UNIT COMPONENTS .....	1
MOTOR COMPONENTS .....	7

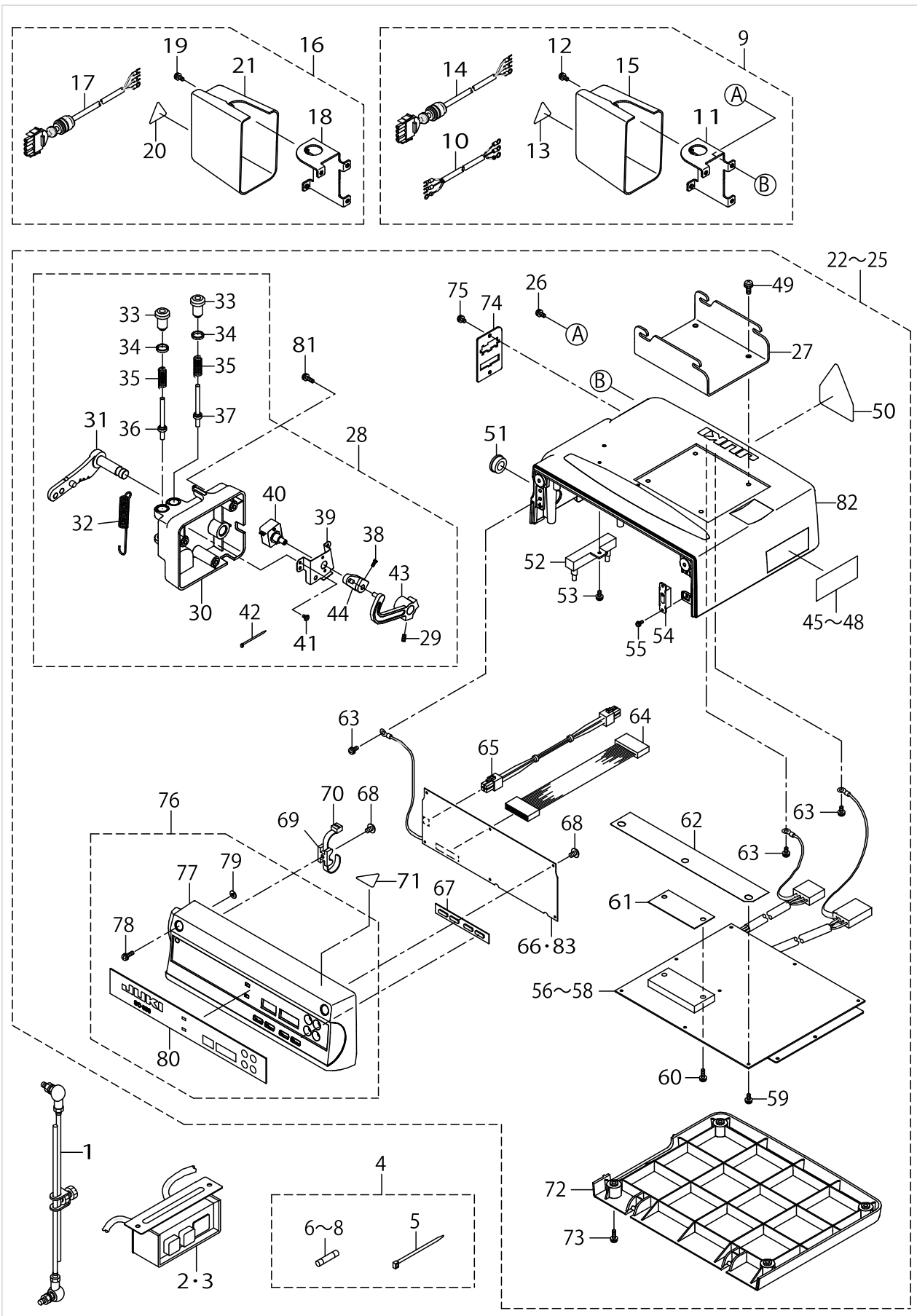
PSC UNIT COMPONENTS



PSC UNIT COMPONENTS

No.	Supply Code	Parts No.	Replacement	Parts name	Remarks	Choice	Step	Level	Cons	Qty	Rep. QTY
1		M4501471AA0		CONNECTING ROD A ASM.						1	
2	D	M6101471AA0		POWER SWITCH A ASM.	FOR 1 φ 11-0V/3 φ 220V JUS					1	
3		M6101471CA0		POWER SWITCH C ASM.	FOR 1 φ 20-0~240V JS, 1 φ 200~240V CN					1	
4	D	40016531		BOX ACCESSORIE PART ASSY						1	
5		EA9500B0200		CABLE BAND 150				*		2	
6		KF000000030		SLO-BLO FUSE				*		1	
7		HF0013020P0		FUSE 2A				*		1	
8	R	KF000000050	KF000000080	SLO-BLO FUSE				*		1	1.00
9		40016464		POWER INPUT ASM.(CE)	FOR 1 φ 230V JE					1	
10		M6102461DAA		AC INPUT CABLE ASM.(CE)				*		1	
11		40017187		POWER COVER BASE				*		1	
12		SL4040881SC		SCREW M4 L=8				*		2	
13		CM300100001		LABEL				*		1	
14		40006139		CABLE_D_ASSY				*		1	
15		40017186		POWER COVER				*		1	
16		40018368		POWER INPUT LA ASM.	FOR 1 φ 11-0~120V LA					1	
17		40012009		PSC_UNIT_CABLE_B_ASSY				*		1	
18		40017187		POWER COVER BASE				*		1	
19		SL4040881SC		SCREW M4 L=8				*		2	
20		CM300100001		LABEL				*		1	
21		40017186		POWER COVER				*		1	
22	D	40016493		PSC UNIT A ASSY	FOR 1 φ 11-0V/3 φ 220V JUS, 1 φ 11-0~120V LA					1	
23	D	40016494		PSC UNIT B ASSY	FOR 1 φ 20-0~240V JS					1	
24	D	40016495		PSC UNIT C ASSY	FOR 1 φ 230V JE					1	
25		40018367		PSC UNIT D ASSY	FOR 1 φ 20-0~240V CN					1	
26		SL4040881SC		SCREW M4 L=8				*		3	
27		40017184		BOX HANGER				*		1	
28	D	40016471		PEDAL SENSOR UNIT C ASSY				*		1	
29		SM8040802TP		SCREW M4X8				*		2	
30	D	40017195		PEDAL SENSORBASE				*		1	
31		40006112		PEDAL_LEVER				*		1	
32		40017196		PEDAL SPRING				*		1	
33		40006212		ADJUST_SCREW				*		2	
34		40006202		ADJUST_NUT				*		2	
35		40006211		SPRING_B				*		2	
36		40006209		SPRING_SHAFT_B				*		1	
37		40006208		SPRING_SHAFT_A				*		1	
38		SM4030801SF		SCREW M3X0.5 L=8				*		1	
39		40006206		SENSOR_INSTALLING_PLATE				*		1	
40		40016526		PEDAL_SENSORASSY				*		1	
41		SV4030601SR		SCREW M3 L=6				*		2	
42		EA9500B0100		CABLE BAND				*		1	

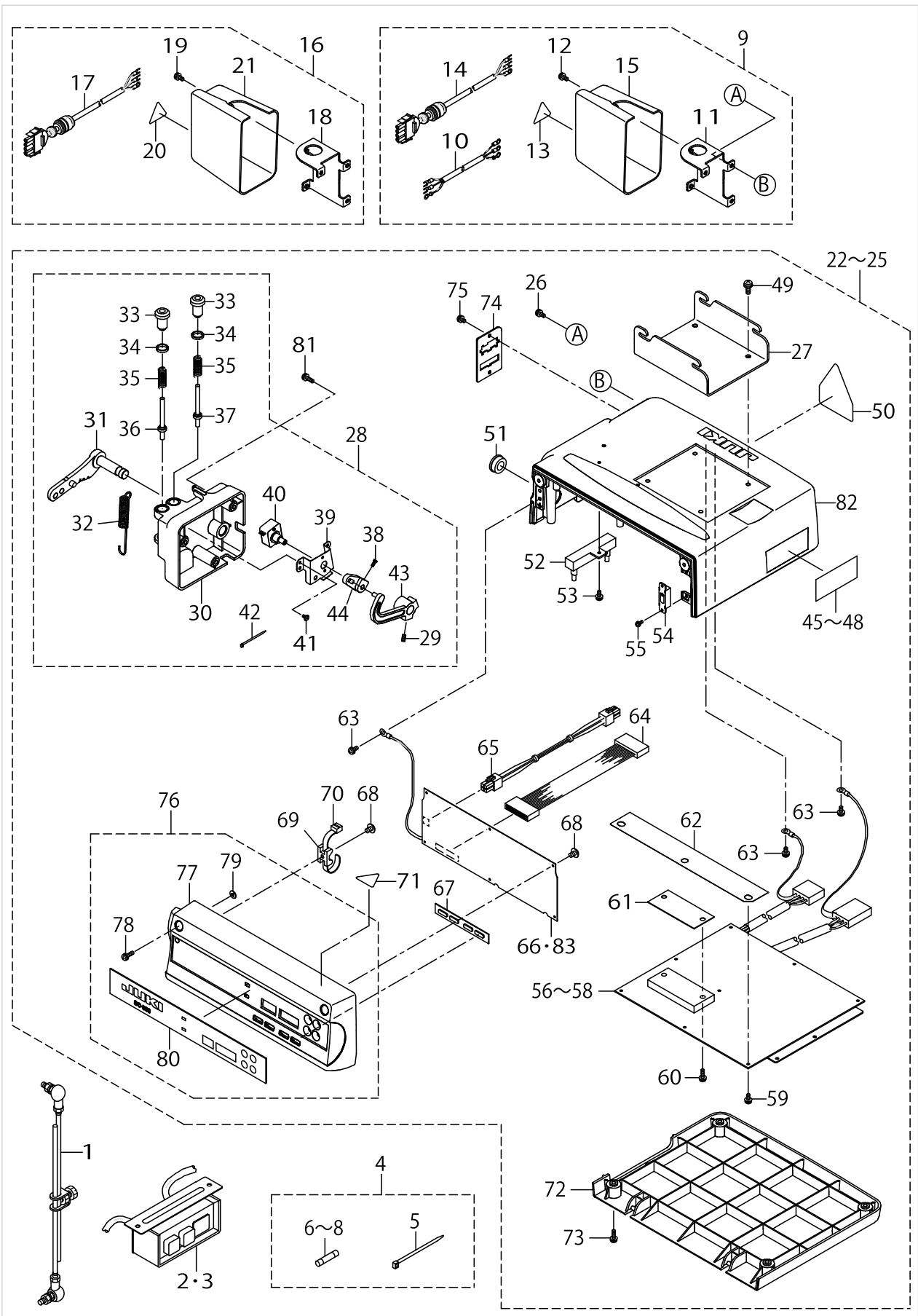
PSC UNIT COMPONENTS



PSC UNIT COMPONENTS

No.	Supply Code	Parts No.	Replacement	Parts name	Remarks	Choice	Step	Level	Cons	Qty	Rep. QTY
43		40006204		PEDAL_LINK				*		1	
44		40006205		VOLUME_LINK				*		1	
45		40016524		RATING LABEL A	FOR 1 φ 11-0V/3 φ 220V JUS			*		1	
46	D	40016525		RATING LABEL B	FOR 1 φ 20-0~240V JS			*		1	
47		40017775		RATING LABEL C	FOR 1 φ 230V JE			*		1	
48		40018370		RATING LABEL D	FOR 1 φ 20-0~240V CN			*		1	
49		SL4051091SC		SCREW M5X0.8 L=10				*		4	
50		CM300400601		VOLTAGE CAUTION LABEL	FOR 1 φ 20-0~240V JS, 1 φ 230V JE, 1 φ 200~240V CN			*		1	
51		KX000000250		SNAP BUSHING				*		1	
52		40058895		RESISTANCE_A_ASSY				*		1	
53		SL4041081SC		SCREW M4 L=10				*		1	
54		40016522		VOLTAGE SELECT CORD ASSY	FOR 1 φ 11-0V/3 φ 220V JUS, 1 φ 11-0~120V LA			*		1	
55		SL4030881SC		SCREW M3X8	FOR 1 φ 11-0V/3 φ 220V JUS, 1 φ 11-0~120V LA			*		2	
56		40016465		PWR PCB A ASSY	FOR 1 φ 11-0V/3 φ 220V JUS			*		1	
57	D	40016466		PWR PCB B ASSY	FOR 1 φ 20-0~240V JS			*		1	
58	R	40016467	40099191	PWR PCB C ASSY	FOR 1 φ 230V JE			*		1	1.00
59		SL4041081SC		SCREW M4 L=10				*		10	
60		SL4041495SC		SCREW M4 L=14				*		2	
61		40016529		COOL SHEET				*		1	
62		40016528		SAFETY SHEET				*		1	
63		SL4041081SC		SCREW M4 L=10				*		3	
64		40016468		I/F CABLE ASSY				*		1	
65		40016469		DC POWER SUPPLY CORD ASSY				*		1	
66	D	40018442		CTL PCB ASSY (MO/MF)	FOR STANDARD			*		1	
67	D	40016527		RUBBER SWITCH				*		1	
68	D	SV4030802SN		TAPPING SCREW WITH FLANGE M3X8				*		7	
69		KX000000260		SADDLE TYPE TIE MOUNT				*		1	
70		HX00292000A		CONNECTING PART				*		1	
71		CM300100001		LABEL				*		1	
72		40017182		BOTTOM COVER				*		1	
73		SL4041495SC		SCREW M4 L=14				*		4	
74		40017185		CONNECTOR BRACKET				*		1	
75		SL4040881SC		SCREW M4 L=8				*		2	
76	D	40016520		FRONT COVER A ASSY				*		1	
77		40017183		FRONT COVER				*		1	
78		SL4041495SC		SCREW M4 L=14				*		2	
79		M8002430000		STOPPER				*		2	
80	D	40016521		OPERATION PANEL				*		1	
81		SL4041495SC		SCREW M4 L=14				*		3	

# PSC UNIT COMPONENTS

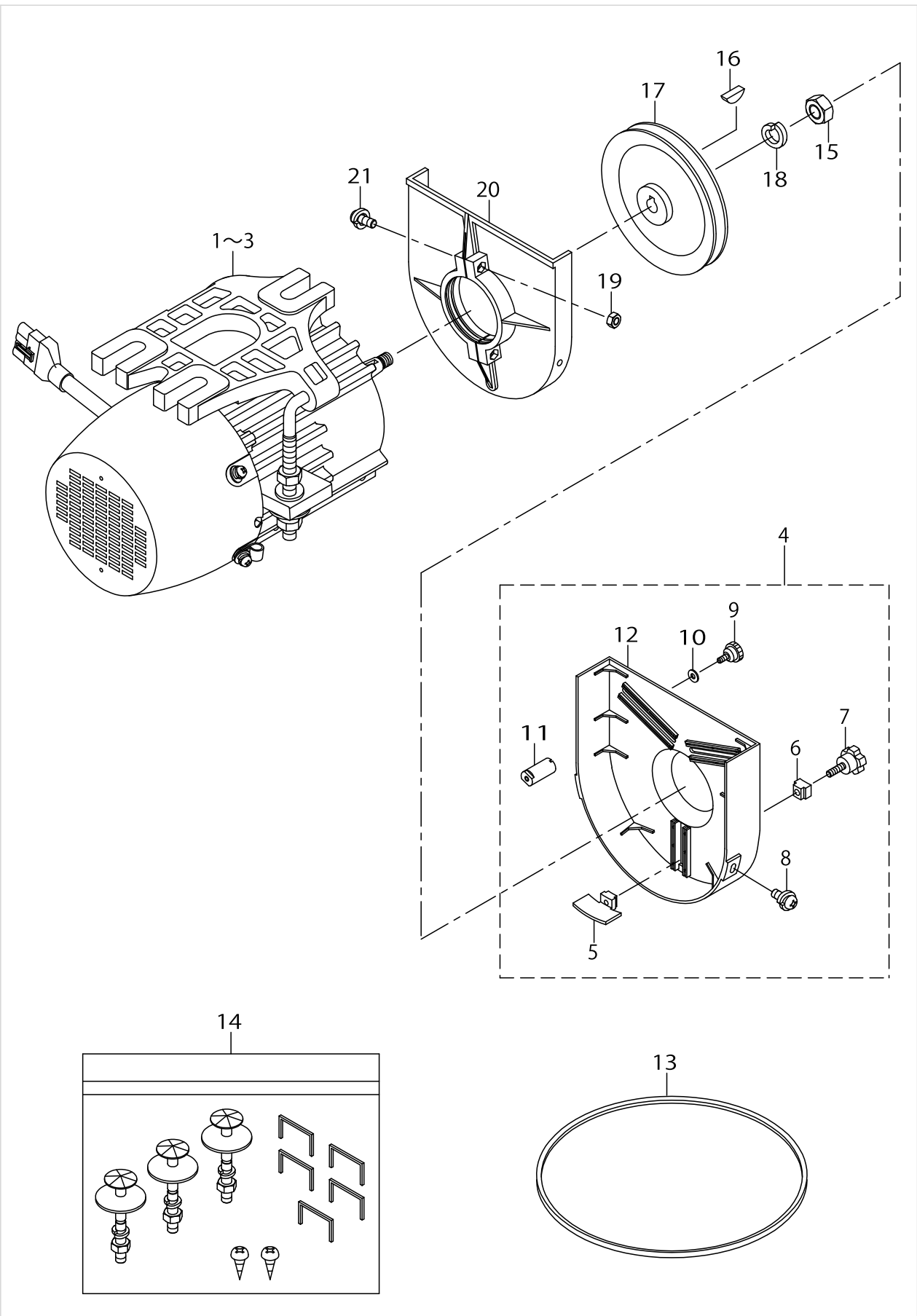


PSC UNIT COMPONENTS

No.	Supply Code	Parts No.	Replacement	Parts name	Remarks	Choice	Step	Level	Cons	Qty	Rep. QTY
82	D	40017181		UPPER COVER				*		1	
83		40085559		CTL PCB ASSY(MFD)	FOR MF-7-700DU,MF-7800DU			*		1	



MOTOR COMPONENTS



MOTOR COMPONENTS

No.	Supply Code	Parts No.	Replacement	Parts name	Remarks	Choice	Step	Level	Cons	Qty	Rep. QTY
1	D	40018511		M50 MOTOR UNIT A	FOR 1 $\phi$ 20-0~240V JS					1	
2	D	40018512		M50 MOTOR UNIT B	FOR 1 $\phi$ 230V JE					1	
3	D	40018513		M50 MOTOR UNIT C	FOR 1 $\phi$ 11-0V/3 $\phi$ 220V JUS, 1 $\phi$ 11-0~120V L-A, 1 $\phi$ 200~240V CN					1	
4		40018509		M50 MOTOR BELT COVER ASSY						1	
5		40018571		DROPPING PLATE				*		1	
6		40018572		DROPPING PAD				*		1	
7		40018573		SCREW				*		1	
8		40018574		SCREW				*		2	
9		40018570		SCREW				*		1	
10		40018569		WASHER				*		1	
11		40018568		SUPPORTING ROD				*		1	
12	R	40018514	40018509	PULLEY COVER A				*		1	1.00
13		40018581		BELT M41						1	
14		40018582		MOUNTING BOLT ASM						1	
15		40018580		NUT						1	
16		40018578		KEY						1	
17		40018577		PULLEY 110						1	
18		40018579		WASHER						1	
19		40018576		NUT						2	
20		40018567		PULLEY COVER B						1	
21		40018575		SCREW						2	

# NUMERICAL INDEX OF PARTS

PART NO	PAGE	REF NO.	PART NO	PAGE	REF NO.	PART NO	PAGE	REF NO.
40006112	2	31	40018509	8	4	SM4030801SF	2	38
40006139	2	14	40018511	8	1~3	SM8040802TP	2	29
40006202	2	34	40018512	8	1~3	SV4030601SR	2	41
40006204	4	43	40018513	8	1~3	SV4030802SN	4	68
40006205	4	44	40018514	8	12			
40006206	2	39	40018567	8	20			
40006208	2	37	40018568	8	11			
40006209	2	36	40018569	8	10			
40006211	2	35	40018570	8	9			
40006212	2	33	40018571	8	5			
40012009	2	17	40018572	8	6			
40016464	2	9	40018573	8	7			
40016465	4	56~58	40018574	8	8			
40016466	4	56~58	40018575	8	21			
40016467	4	56~58	40018576	8	19			
40016468	4	64	40018577	8	17			
40016469	4	65	40018578	8	16			
40016471	2	28	40018579	8	18			
40016493	2	22~25	40018580	8	15			
40016494	2	22~25	40018581	8	13			
40016495	2	22~25	40018582	8	14			
40016520	4	76	40058895	4	52			
40016521	4	80	40085559	6	66·83			
40016522	4	54	CM300100001	2	71			
40016524	4	45~48	CM300100001	4	71			
40016525	4	45~48	CM300400601	4	50			
40016526	2	40	EA9500B0100	2	42			
40016527	4	67	EA9500B0200	2	5			
40016528	4	62	HF0013020P0	2	6~8			
40016529	4	61	HX00292000A	4	70			
40016531	2	4	KF000000030	2	6~8			
40017181	6	82	KF000000050	2	6~8			
40017182	4	72	KX000000250	4	51			
40017183	4	77	KX000000260	4	69			
40017184	2	27	M4501471AA0	2	1			
40017185	4	74	M6101471AA0	2	2·3			
40017186	2	21	M6101471CA0	2	2·3			
40017187	2	18	M6102461DAA	2	10			
40017195	2	30	M8002430000	4	79			
40017196	2	32	SL4030881SC	4	55			
40017775	4	45~48	SL4040881SC	2	75			
40018367	2	22~25	SL4040881SC	4	75			
40018368	2	16	SL4041081SC	4	63			
40018370	4	45~48	SL4041495SC	4	81			
40018442	4	66·83	SL4051091SC	4	49			