

MODEL : MP-200N

List No : 1369-04

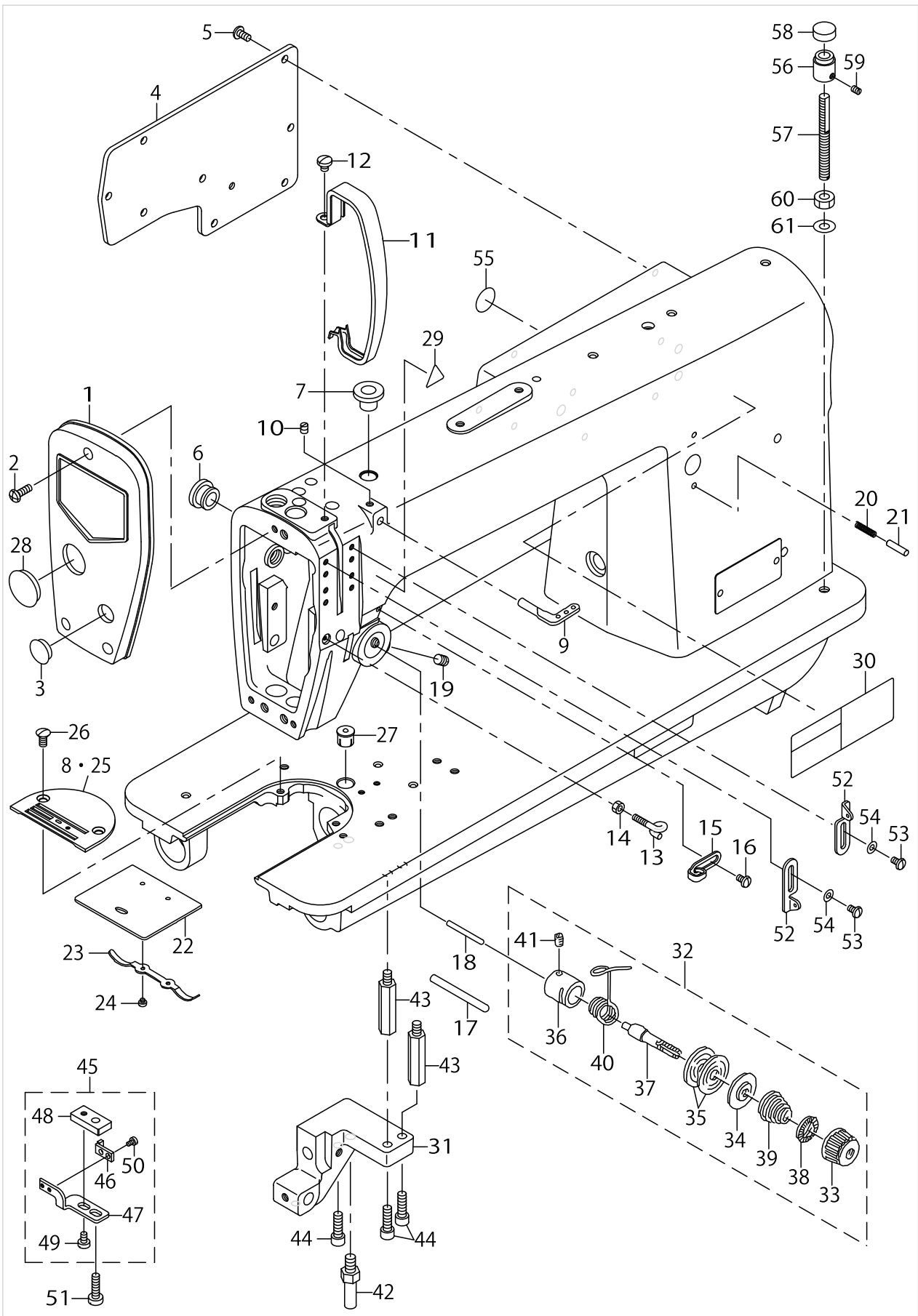
PARTS LIST

Published:05/12/2017

CONTENTS

FRAME & MISCELLANEOUS COVER COMPONENTS	1
MAIN SHAFT & NEEDLE BAR COMPONENTS	5
UPRIGHT SHAFT & HOOK DRIVING SHAFT COMPONENTS	9
PRESSER BAR & KNEE LIFTER COMPONENTS.....	11
FEED MECHANISM COMPONENTS.....	13
LOOPER & SPREADER COMPONENTS	17
OIL LUBRICATION COMPONENTS	21
THREAD STAND COMPONENTS.....	23
ACCESSORIE PARTS COMPONENTS	25
OPTIONAL PARTS	29
LIST FOR INFORMATION OF CHANGE.....	31
HOW TO MAKE USE OF THIS PARTS LIST	32

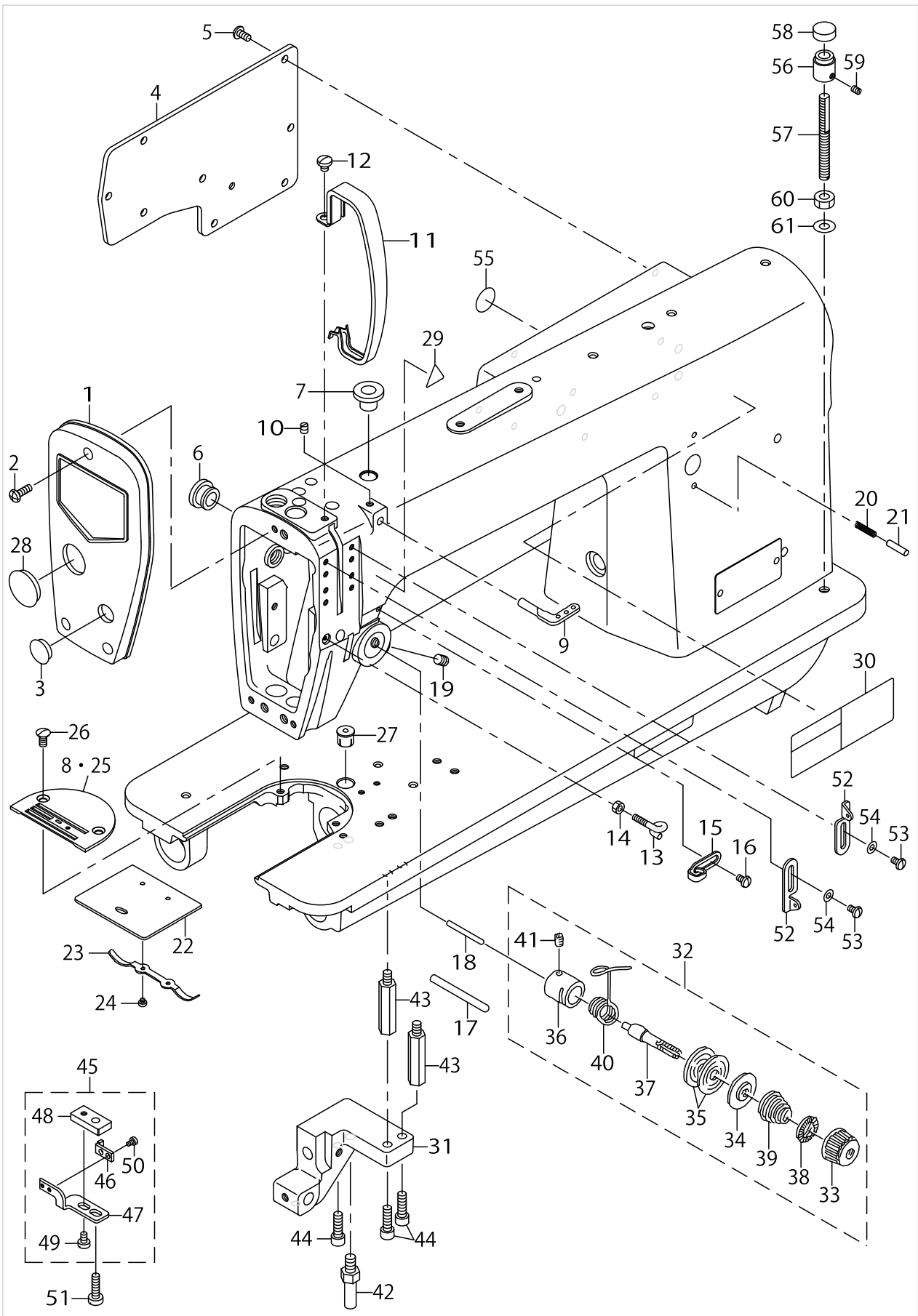
FRAME & MISCELLANEOUS COVER COMPONENTS



FRAME & MISCELLANEOUS COVER COMPONENTS

No.	Supply Code	Parts No.	Replacement	Parts name	Remarks	Choice	Step	Level	Cons	Qty	Rep. QTY
1		40114236		FACE PLATE ASM.						1	
2		SS4111215SP		SCREW11/64-40L=12						3	
3		TA1250406R0		RUBBER PLUG D=12.5 L=4						1	
4	D	B111852200A		SIDE PLATE						1	
5		SS4110815SP		SCREW 11/64-40 L=8						8	
6		TA1250705R0		RUBBER PLUG						1	
7		B1156115000		RUBBER PLUG						1	
8		23123508		NEEDLE PLATE (2.2X7.6)	L TYPE					1	
9		B1128522000		THREE HOLE THREAD EYELET						1	
10	R	SS8110510SP	SS8110520TP	SCREW 11/64-40 L=5						1	1.00
11		11415205		THREAD TAKE-UP LEVER COVER						1	
12		SS7110510SP		SCREW 11/64-40 L=5						1	
13		B3114771000		THREAD GUIDE						1	
14		NS6090310SP		NUT 9/64-40						1	
15		B1126552000		ARMTHREADGUIDEA						1	
16		SS5090610SP		SCREW 9/64-40 L=6						1	
17		B3127127000		THREAD RELEASE AUXILIARY PIN						1	
18		B3118552F00		TENSION RELEASING PIN						1	
19	R	SS8150710SP	SS8150710TP	SCREW 15/64-28 L=7						1	1.00
20		22912109		SPRING						1	
21		22912000		FEED REGULATOR PIN						1	
22		B1110012000		SLIDE PLATE						1	
23		B1111012000		BED SLIDE SPRING						1	
24		SS6060210SP		SCREW 3/32-56 L=1.9						2	
25		23123102		NEEDLE PLATE (1.6X4.2)	S TYPE					1	
26		SS2110920TP		SCREW 11/64-40 L=8.5						2	
27		40130708		OIL CUP						1	
28		TA2050406R0		RUBBER PLUG						1	
29		CM300200001		ATTENTION SEAL						1	
30		CM301300001		SAFETY LABEL						1	
31		23120801		LOOPER BASE						1	
32		40011503		THREAD TENSION ASM.						1	
33		22921308		THREAD TENSION NUT				*		1	
34		22921803		DISK STOPPER				*		1	
35		22921506		THREAD TENSION DISK				*		2	
36		22945307		THREAD TENSION POST BASE				*		1	
37		22921209		THREAD TENSION POST				*		1	
38		22921407		ROTATION STOPPER				*		1	
39	R	40054785	D3129555D00	THREAD TENSION SPRING				*		1	1.00
40		40054784		THREAD TAKE-UP SPRING				*		1	
41		SS8090670SP		SCREW 9/64-40 L=5.5				*		1	
42		22602601		BED SCREW STUD						1	
43		23132301		BASE FOOT						2	
44		SM6051602TP		SCREW M5X0.8 L=16						3	
45		23120959		LOOP GUIDE ASM.						1	
46		23131808		LOOP GUIDE				*		1	

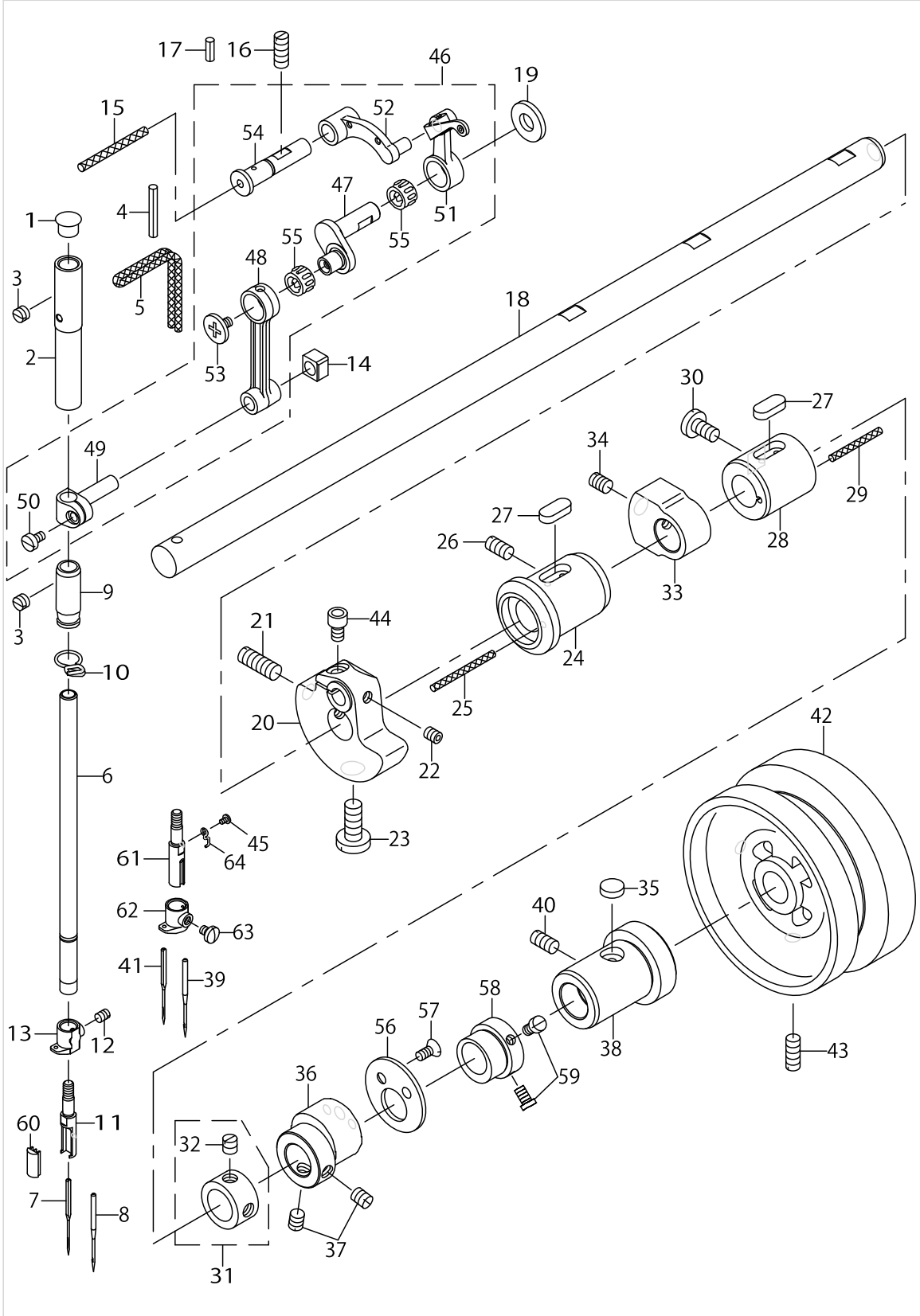
FRAME & MISCELLANEOUS COVER COMPONENTS



FRAME & MISCELLANEOUS COVER COMPONENTS

No.	Supply Code	Parts No.	Replacement	Parts name	Remarks	Choice	Step	Level	Cons	Qty	Rep. QTY
47		23120900		LOOP GUIDE FITTING PLATE				*		1	
48		B1835111000		NEEDLE HOLDER BASE				*		1	
49	R	SS6090630SP	SS6090630TP	SCREW 9/64-40 L=6				*		1	1.00
50		SS6060440TP		SCREW 3/32-56 L=3.5				*		2	
51		SS6111620SP		SCREW 11/64-40 L=16.0						1	
52		23126501		BALANCE THREAD GUIDE						2	
53		SS5090610SP		SCREW 9/64-40 L=6						4	
54		WP0370316SD		WASHER 3.7X8X0.3						4	
55		22901805		GROUND MARK						1	
56		B1660481000		STOPPER						1	
57		B1661481000		SCREW						1	
58		B1662481000		LEVER STOPPER RUBBER CAP						1	
59		SS8090540SP		SCREW 9/64-40 L=5						1	
60		NS6150430SP		NUT 15/64-28						1	
61		WP0621016SD		WASHER 6.2X13X1						1	

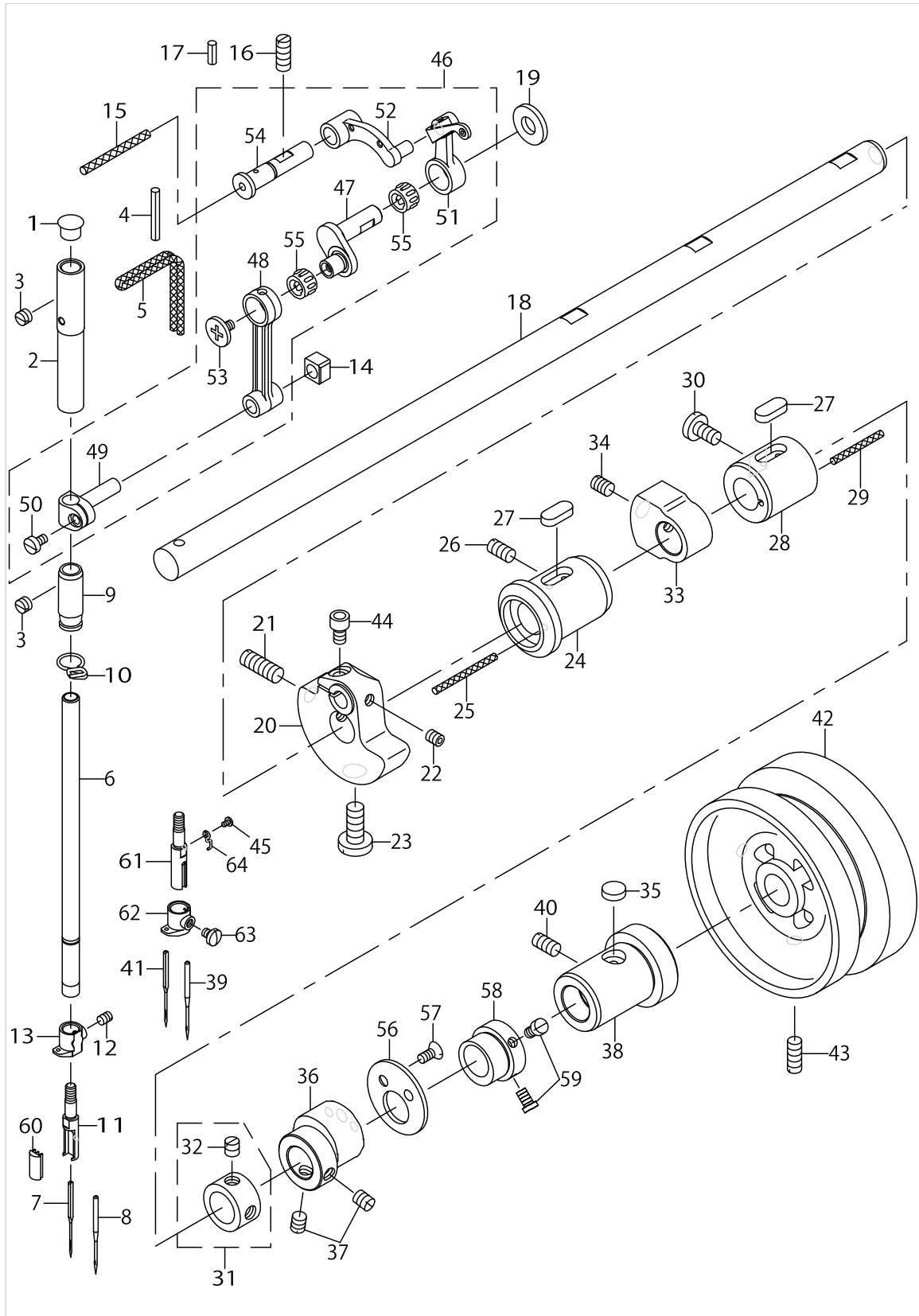
MAIN SHAFT & NEEDLE BAR COMPONENTS



MAIN SHAFT & NEEDLE BAR COMPONENTS

No.	Supply Code	Parts No.	Replacement	Parts name	Remarks	Choice	Step	Level	Cons	Qty	Rep. QTY
1		22901409		NEEDLE BAR UPPER BUSH CAP						1	
2		22906101		NEEDLE BAR BUSHING UPPER						1	
3		SS8150310SP		SCREW 15/64-28 L=3.4						2	
4		PS0350252KR		SPRING PIN 3.5X25						1	
5		CQ202000000		OIL WICK						.23	
6		23124001		NEEDLE BAR						1	
7		MC231000900		NEEDLE 29-C-150 NM90	S TYPE					1	
8		MC276001000		NEEDLE 29-C-151 NM100	S TYPE					1	
9		B1403553000		NEEDLE BAR BUSHING LOWER						1	
10		40023223		NEEDLE BAR THREAD GUIDE						1	
11		23124100		NEEDLE CLAMP S	S TYPE					1	
12		SS8090540SP		SCREW 9/64-40 L=5	S TYPE					1	
13		23124209		NEEDLE HOLDER S	S TYPE					1	
14		B1414555000		SLIDE BLOCK						1	
15		CQ202000000		OIL WICK						.08	
16		SS8151550SP		SCREW15/64-28L=15						1	
17		PS0350102KR		SPRING PIN 3.5X10						1	
18		B1201201000A		MAIN SHAFT						1	
19		B2529352000		PROTECTION PLATE						1	
20		23121007		COUNTER WEIGHT						1	
21		SS8681950SP		SCREW 9/32-28 L=19						1	
22		SM8050612TP		SCREW M5X6						1	
23		SS7681750TP		SCREW 9/32-28 L=16.5						1	
24	R	B1202201000	B12022010A0	MAIN SHAFT BUSHING FRONT						1	1.00
25		CQ202000000		OIL WICK						.18	
26	R	SS8151150SP	SS8151150TP	SCREW 15/64-28 L=10.5						1	1.00
27		B1702012000		OIL FELT						2	
28		B1203201000		MAIN SHAFT BUSHING INTERMEDIA						1	
29		CQ202000000		OIL WICK						.18	
30		SS7151120SP		SCREW15/64-28L=11						1	
31		22904155		MAIN SHAFT THRU-ST COLLAR ASM.						1	
32		SS8660610TP		SCREW 1/4-40 L=6				*		2	
33		23122401		BALANCER						1	
34		SS8660810TP		SCREW 1/4-40 L=8						1	
35		B3511280000		OIL FELT						1	
36		23121601		HORIZONTAL FEED TRIANGULAR CAM						1	
37		SS8150710TP		SCREW 15/64-28 L=7						2	
38		B1204141H00		ARM SHAFT BUSHING REAR						1	
39		MCP12JB2300		NEEDLE CPX12J #23	L TYPE					1	
40	R	SS8151150SP	SS8151150TP	SCREW 15/64-28 L=10.5						1	1.00
41		MCP1JJB2200		NEEDLE CPX1J #22U	L TYPE					1	
42		23122302		HAND WHEEL						1	
43		SS8151550SP		SCREW15/64-28L=15						2	
44		SM6050802TP		SCREW M5X0.8 L=8						1	
45		SS5060310SP		SCREW 3/32-56 L=2.8	L TYPE					1	

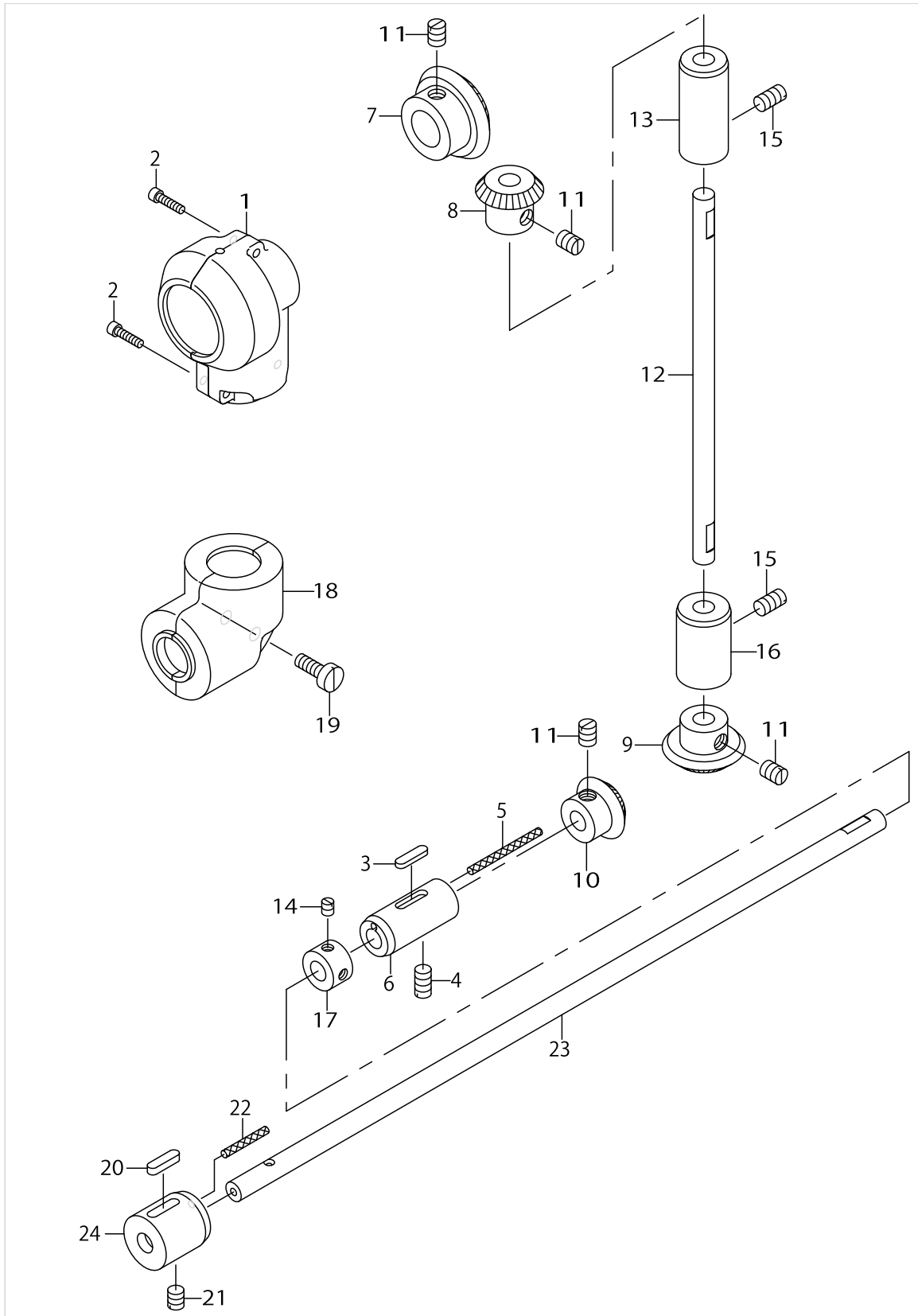
MAIN SHAFT & NEEDLE BAR COMPONENTS



MAIN SHAFT & NEEDLE BAR COMPONENTS

No.	Supply Code	Parts No.	Replacement	Parts name	Remarks	Choice	Step	Level	Cons	Qty	Rep. QTY
46		23121155		BALANCE ASM.						1	
47		23121106		NEEDLE BAR CRANK (10MM)				*		1	
48		B1408201000		NEEDLE BAR CRANK ROD				*		1	
49	R	B1411552000	B14115520A0	NEEDLE BAR CLAMP				*		1	1.00
50		SS6090670TP		SCREW 9/64-40 L=6				*		1	
51	R	23132806	23132855	THREAD TAKE-UP LEVER				*		1	1.00
52	R	B1902552000	B19015520B0	THREAD TAKE-UP CRANK				*		1	1.00
53		B1903552000		LEFT SCREW				*		1	
54	D	B1904201000		THREAD TAKE-UP CRANK SHAFT				*		1	
55		B1905541B00		NEEDLE BEARING				*		2	
56		21045505		SIDE PLATE						1	
57		SS2110915SP		SCREW 11/64-40 L=8.5						2	
58		B1208141H00		FEED CAM ASM.						1	
59		SS6110710TP		SCREW 11/64-40 L=6.5						2	
60		23124407		NEEDLE CLAMP SPACER (1.6MM)	S TYPE					1	
61		23125008		NEEDLE CLAMP (5MM)	L TYPE					1	
62		23125305		NEEDLE HOLDER (5MM)	L TYPE					1	
63		SS7090530SP		SCREW 9/64-40 L=4.5	L TYPE					1	
64		23125404		NEEDLE CLAMP HOOK	L TYPE					1	

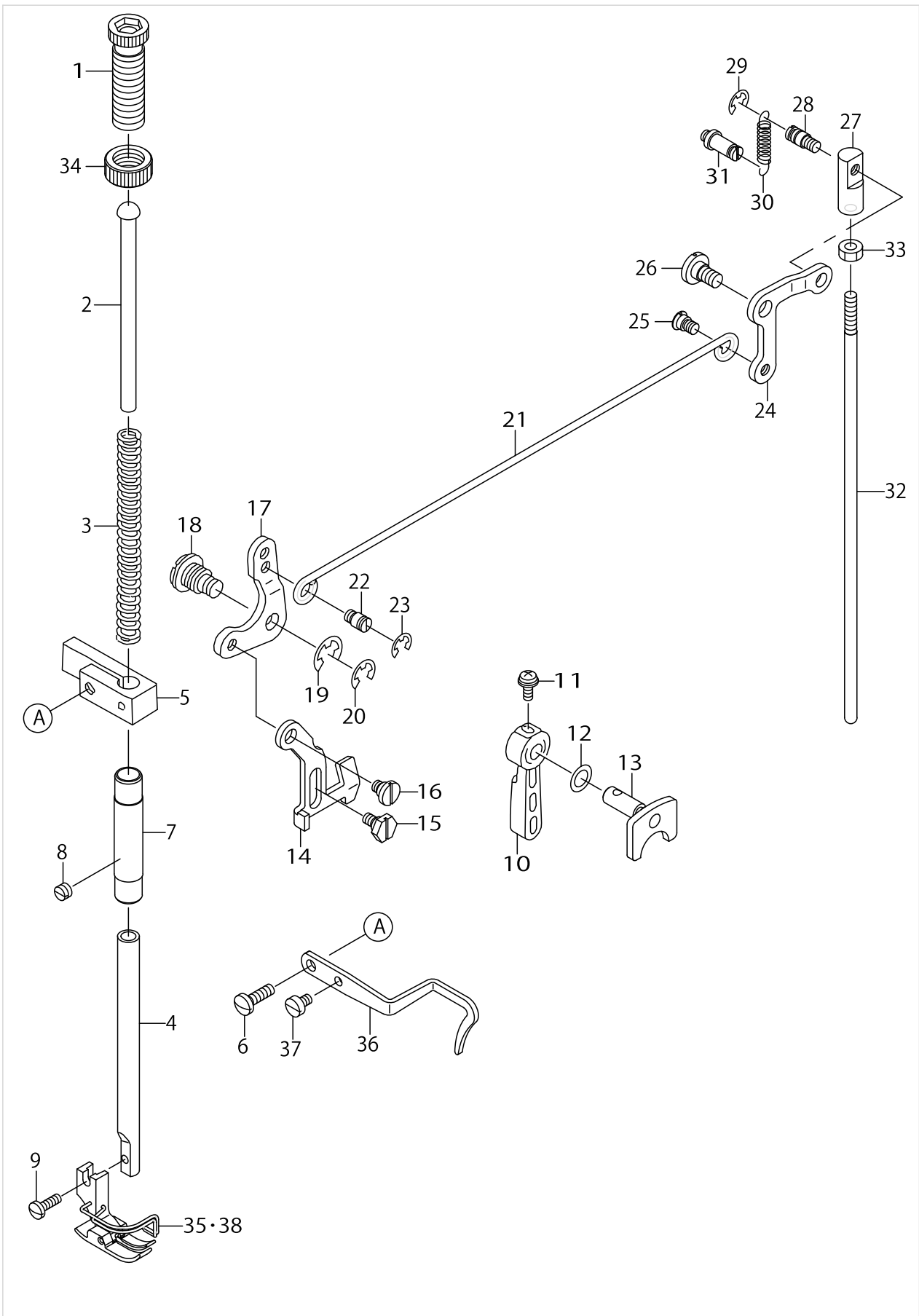
UPRIGHT SHAFT & HOOK DRIVING SHAFT COMPONENTS



UPRIGHT SHAFT & HOOK DRIVING SHAFT COMPONENTS

No.	Supply Code	Parts No.	Replacement	Parts name	Remarks	Choice	Step	Level	Cons	Qty	Rep. QTY
1		B13052710A0		GEAR CASE ASM. UPPER						1	
2		SM6031202TP		SCREW M3X0.5 L=12						2	
3		B1806038000		OIL FELT						1	
4	R	SS8151150SP	SS8151150TP	SCREW 15/64-28 L=10.5						1	1.00
5		CQ252000000		OIL WICK						.07	
6	D	B1804201000		HOOK DRIVING SH- AFT BUSHING REAR						1	
7	D	B1305012000		GEAR						1	
8	R	B1306155000	B13061550A0	PINION						1	1.00
9	R	B1307155000	B13071550A0	MITRE GEAR LARGE						1	1.00
10	R	B1308155000	B13081550A0	MITRE GEAR SMALL						1	1.00
11		SS8660810TP		SCREW 1/4-40 L=8						8	
12		B1301201000		UPRIGHT SHAFT						1	
13	D	B1302271000		UPRIGHT SHAFT BUSHING UPPER						1	
14		SS8110520TP		SCREW 11/64-40 L=4.5						2	
15	R	SS8151150SP	SS8151150TP	SCREW 15/64-28 L=10.5						2	1.00
16		B1303271000		BUSHING LOWER						1	
17		CS0791016SH		THRUST HOLDER D=7.94 W=10						1	
18		B13072710A0		PINION CASE ASM.						1	
19	D	SM6051410SC		SCREW M5X0.8 L=14						1	
20		B1805201000		OIL FELT						1	
21		SS8150710TP		SCREW 15/64-28 L=7						1	
22		CQ252000000		OIL WICK						.07	
23		23133804		HOOK DRIVING SHAFT						1	
24	D	23133903		HOOK DRIVING SH- AFT BUSHING FRONT						1	

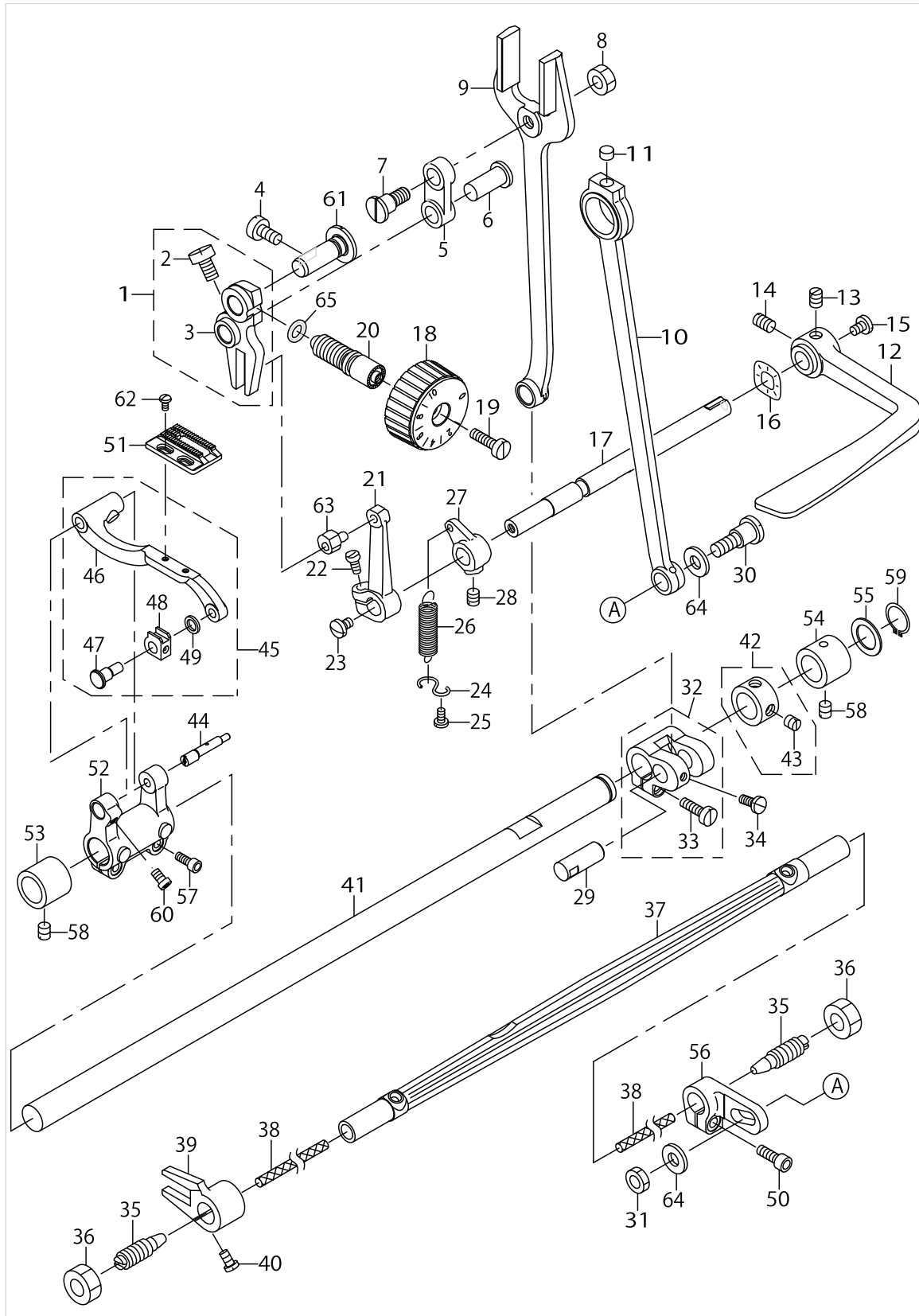
PRESSER BAR & KNEE LIFTER COMPONENTS



PRESSER BAR & KNEE LIFTER COMPONENTS

No.	Supply Code	Parts No.	Replacement	Parts name	Remarks	Choice	Step	Level	Cons	Qty	Rep. QTY
1	R	22907505	22907554	PRESSER SPRING REGULATOR						1	1.00
2		22907703		PRESSER GUIDE BAR						1	
3		B1505227T00A		PRESSER SPRING T						1	
4	R	22907000	40017805	PRESSER BAR						1	1.00
5		B1507552000		PRESSER BAR GUIDE BRACKET						1	
6	R	SS7111410SP	SS7111410TP	SCREW11/64-40L=14						1	1.00
7		22907109		PRESSER BAR BUSHING LOWER						1	
8		SS8150310SP		SCREW 15/64-28 L= 3.4						1	
9	R	SS7091110SP	SS7091110TP	SCREW 9/64-40 L=10.5						1	1.00
10		22907802		HAND LIFTER						1	
11		B1521555000		SCREW						1	
12		WP0740516SP		WASHER 7.4X11.8X0.5						1	
13		B15185550A0		HAND LIFTER CAM ASM.						1	
14		B1515201000		LIFTING LEVER						1	
15		SD0630275SP		HINGE SCREW D=6.35 H=2.7						1	
16		SD0630301SP		HINGE SCREW D=6.35 H=3						1	
17		B1516552000		LIFTING LEVER LINK						1	
18		B1517552000		HINGE PIN						1	
19		B1523226000		SNAP RING						1	
20		RE0600000K0		E-RING 6						1	
21		B3412552000		LIFTING LEVER CONNECTING ROD						1	
22		B3416552000		CONNECTING ROD HINGE SCREW						1	
23		RE0500000K0		E-RING						1	
24		B3414555000		LIFTING LEVER LINK ARM						1	
25		22908909		HINGE SCREW						1	
26		SD0720331SP		HINGE SCREW D=7.24 H=3.3						1	
27		B3416555000		SWIVEL						1	
28		B3418555000		SWIVEL SCREW						1	
29		RE0500000K0		E-RING						1	
30		B3417552000		LIFTING LEVER LINK SPRING						1	
31		B3413227000		SPRINGSUSPENSION						1	
32		B3415552000		CONNECTING ROD VERTICAL						1	
33		NS6620310SP		NUT 3/16-32						1	
34	R	22907604	22907554	PRESSER SPRING REGULATOR NUT						1	1.00
35		23122658		PRESSER ASM.	S TYPE					1	
36		B1521552000		PRESSER BAR THREAD GUIDE						1	
37	R	SS6090650SP	SS6090670TP	SCREW 9/64-40 L=6						1	1.00
38		23122757		PRESSER ASM.	L TYPE					1	

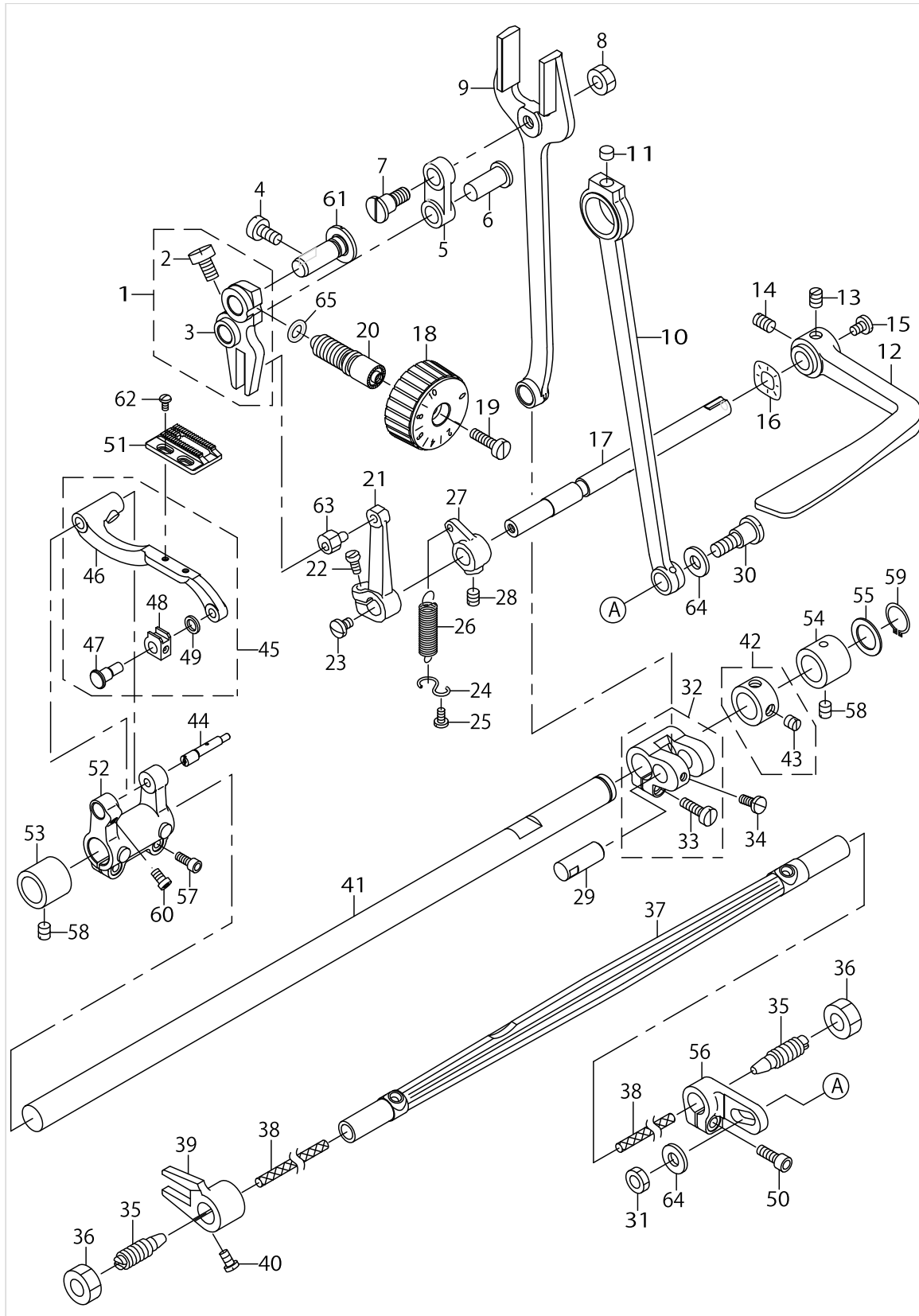
FEED MECHANISM COMPONENTS



FEED MECHANISM COMPONENTS

No.	Supply Code	Parts No.	Replacement	Parts name	Remarks	Choice	Step	Level	Cons	Qty	Rep. QTY
1		23127152		FEED ADJUSTING BODY ASM.						1	
2		SS6661110SP		SCREW 1/4-40 L=11				*		1	
3	R	23127103	23127152	FEED ADJUSTING BODY				*		1	1.00
4		SS6151220SP		SCREW 15/64-28 L=11.5						1	
5		B1619141H00		BRANCH LINK						1	
6		21272802		BRANCH LINK SHAFT						1	
7		SD0950802SH		HINGE SCREW D=9.53 H=8						1	
8		NS6680410SP		NUT 9/32-28						1	
9		23121700		HORIZONTAL FEED ROD						1	
10		B1701115000		FEED DRIVING SHAFT CONNECTING						1	
11		11002904		ROLLER FELT						1	
12		B1624141H0A		FEED LEVER						1	
13		SS8660810TP		SCREW 1/4-40 L=8						1	
14		SS8661040TP		SCREW 1/4-40 L=10						1	
15		SS7620750SP		SCREW 3/16-32 L=6.5						1	
16		WZ1052010KP		WAVED WASHER						1	
17	D	B1621201000		REVERSE FEED CONTROL LEVER SHAFT						1	
18		23127004		FEED DIAL						1	
19		SS6121860SP		SCREW 3/16-28 L=18						1	
20		23127301		STITCH LENGTH REGULATING SCREW						1	
21	R	B1627226000	B16272260A0	REVERSE FEED CONTROL LEVER CRANK						1	1.00
22		SS6121210SP		SCREW 3/16-28 L=12						1	
23		SS7620750SP		SCREW 3/16-32 L=6.5						1	
24		B1648122000		SUSPENSION HOOK (B)						1	
25		SS7090710SP		SCREW 9/64-40 L=6.8						1	
26		B1646201000		TENSION SPRING						1	
27		B1647226000		SUSPENSION BRACKET (A)						1	
28	R	SS8150710SP	SS8150710TP	SCREW 15/64-28 L=7						1	1.00
29		B1611155000A		HINGE STUD FOR PITMAN						1	
30		SD1020961SP		HINGE SCREW D=10.2 H=9.6						1	
31		NS6680410SP		NUT 9/32-28						1	
32		B16072010A0A		HORIZONTAL FEED ARM ASM.						1	
33		SS6121610SP		SCREW 3/16-28 L=15.5				*		2	
34		SS7111110TP		SCREW 11/64-40 L=10.5						1	
35		B1113012000		CENTER SCREW						2	
36		NS6740510SP		NUT 3/8-28						2	
37		23134307		FEED DRIVING SHAFT ASM.						1	
38		CQ202000000		OIL WICK						.17	
39		B1704141H00		FEED LIFTING FORK						1	
40	R	SS7111120SP	SS7111120TP	SCREW 11/64-40 L=10.5						1	1.00
41		B1601201000A		FEED SHAFT						1	
42		22904155		MAIN SHAFT THRU-ST COLLAR ASM.						1	
43		SS8660610TP		SCREW 1/4-40 L=6				*		2	
44		23200702		FEED BASE SHAFT						1	

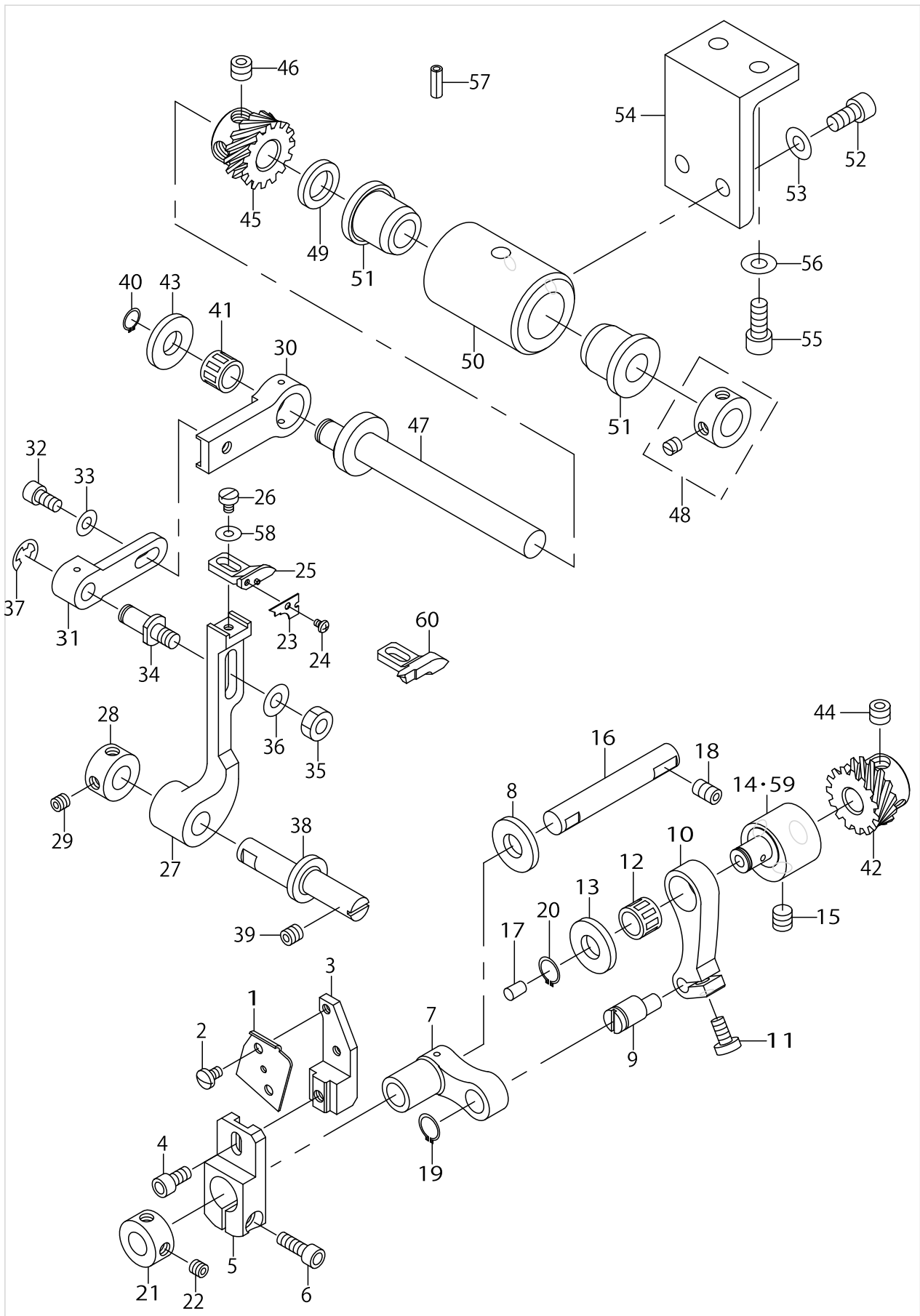
FEED MECHANISM COMPONENTS



FEED MECHANISM COMPONENTS

No.	Supply Code	Parts No.	Replacement	Parts name	Remarks	Choice	Step	Level	Cons	Qty	Rep. QTY
45		23122054		FEED BASE ASM.						1	
46		23122005		FEED BASE				*		1	
47		B1706155000		FEED DRIVING SLID- E BLOCK HINGE				*		1	
48		B1705155000		FEED DRIVING SLIDE BLOCK				*		1	
49	R	B1707155000	31255300	FEED DRIVING SLID- E BLOCK WASHER				*		1	1.00
50		SM6051402TP		SCREW M5X0.8 L=14						1	
51		23122203		FEED L						1	
52		23121908		FEED BASE ARM						1	
53		B1604141H00		BUSHING FRONT						1	
54	D	B1651141H00		BUSHING INTERMEDIATE						1	
55		B1605201000		METAL WASHER						1	
56		23121809		VERTICAL FEED ARM REAR						1	
57		SM6041012TP		SCREW M4X0.7 L=10						2	
58	R	SS8150710SP	SS8150710TP	SCREW 15/64-28 L=7						2	1.00
59		RC0150001KP		RETAINING RING 13.8						1	
60		SS6110710TP		SCREW 11/64-40 L=6.5						1	
61		23127202		FEED ADJUSTING BODY SHAFT						1	
62		SS4080620TP		SCREW 1/8-44 L=6						2	
63		B16331220A0		CRANK SLIDE BLOCK STUD ASM.						1	
64		WP0742016SP		WASHER						2	
65		RO074240100		RUBBER RING						1	

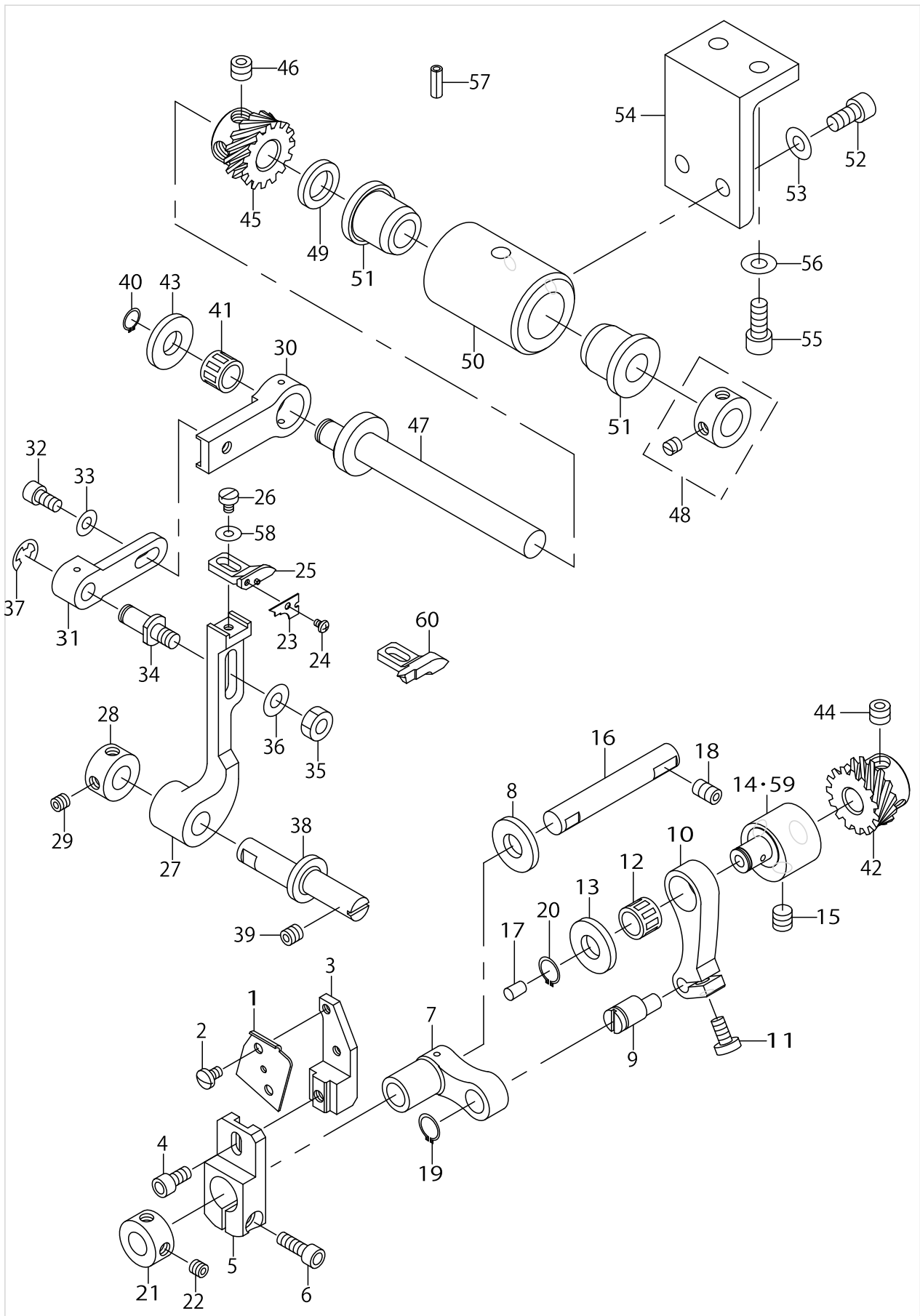
LOOPER & SPREADER COMPONENTS



LOOPER & SPREADER COMPONENTS

No.	Supply Code	Parts No.	Replacement	Parts name	Remarks	Choice	Step	Level	Cons	Qty	Rep. QTY
1		23136005		LOOPER(JC1008P)						1	
2		SS6080410SP		SCREW 1/8-44 L=4						2	
3		23136708		LOOPER INSTALLING BASE						1	
4		SM6040802TP		SCREW M4X0.7 L=8						1	
5		23136609		LOOPER ARM						1	
6		SM6041202TP		SCREW M4X0.7 L=12						1	
7		23136401		LOOPER LINK						1	
8		B2529352000		PROTECTION PLATE						1	
9	D	23136302		LOOPER LINK ECCENTRIC PIN						1	
10		23136203		LOOPER DRIVING LINK						1	
11		SM6040802TP		SCREW M4X0.7 L=8						1	
12		B1905541B00		NEEDLE BEARING						1	
13		B2529352000		PROTECTION PLATE						1	
14		23136104		LOOPER CRANK	S TYPE					1	
15		SM8060612TP		SCREW M6 L=6						2	
16	D	23136500		LOOPER FULCRUM SHAFT						1	
17		TA0370601M0		PLUG D=3.9X4 L=6						1	
18		SM8050812TP		SCREW M5X8						1	
19		RC0740811KP		C-RING						1	
20		RC0740811KP		C-RING						1	
21		CS0800816SH		THRUST HOLDER D=8 W=8						1	
22		SS8110422TP		SCREW 11/64-40 L=4						2	
23		23138209		SPREADER(JC1023)	S TYPE					1	
24		SM4020301SC		SCREW M2X0.4 L=3	S TYPE					1	
25		23125750		SPREADER FITTING BASE ASM.	S TYPE					1	
26		SS6090910SP		SCREW 9/64-40 L=9						1	
27		23138605		SPREADER ARM						1	
28		CS0800816SH		THRUST HOLDER D=8 W=8						1	
29		SS8110422TP		SCREW 11/64-40 L=4						2	
30		23138308		SPREADER DRIVING LINK A						1	
31		23138407		SPREADER DRIVING LINK B						1	
32		SM6040802TP		SCREW M4X0.7 L=8						1	
33		WP0430801SE		WASHER 4.3X9X0.8						1	
34		23138506		SPREADER ADJUSTING PIN						1	
35		NM6050003SC		NUT M5X0.8						1	
36		WP0531001SE		WASHER 5.3X9.5X0.6						1	
37		RE0500711KP		SNAP RING 5						1	
38		23138704		SPREADER FULCRUM SHAFT						1	
39		SM8050502TP		SCREW M5 L=5						2	
40		RC0740811KP		C-RING						1	
41		B1905541B00		NEEDLE BEARING						1	
42		23125503		SPREADER LOWER SHAFT WHEEL						1	
43		B2529352000		PROTECTION PLATE						1	
44		SS8660512TP		SCREW 1/4-40 L=5						2	
45		23125602		SPREADER CRANK SHAFT WHEEL						1	
46		SS8660512TP		SCREW 1/4-40 L=5						2	

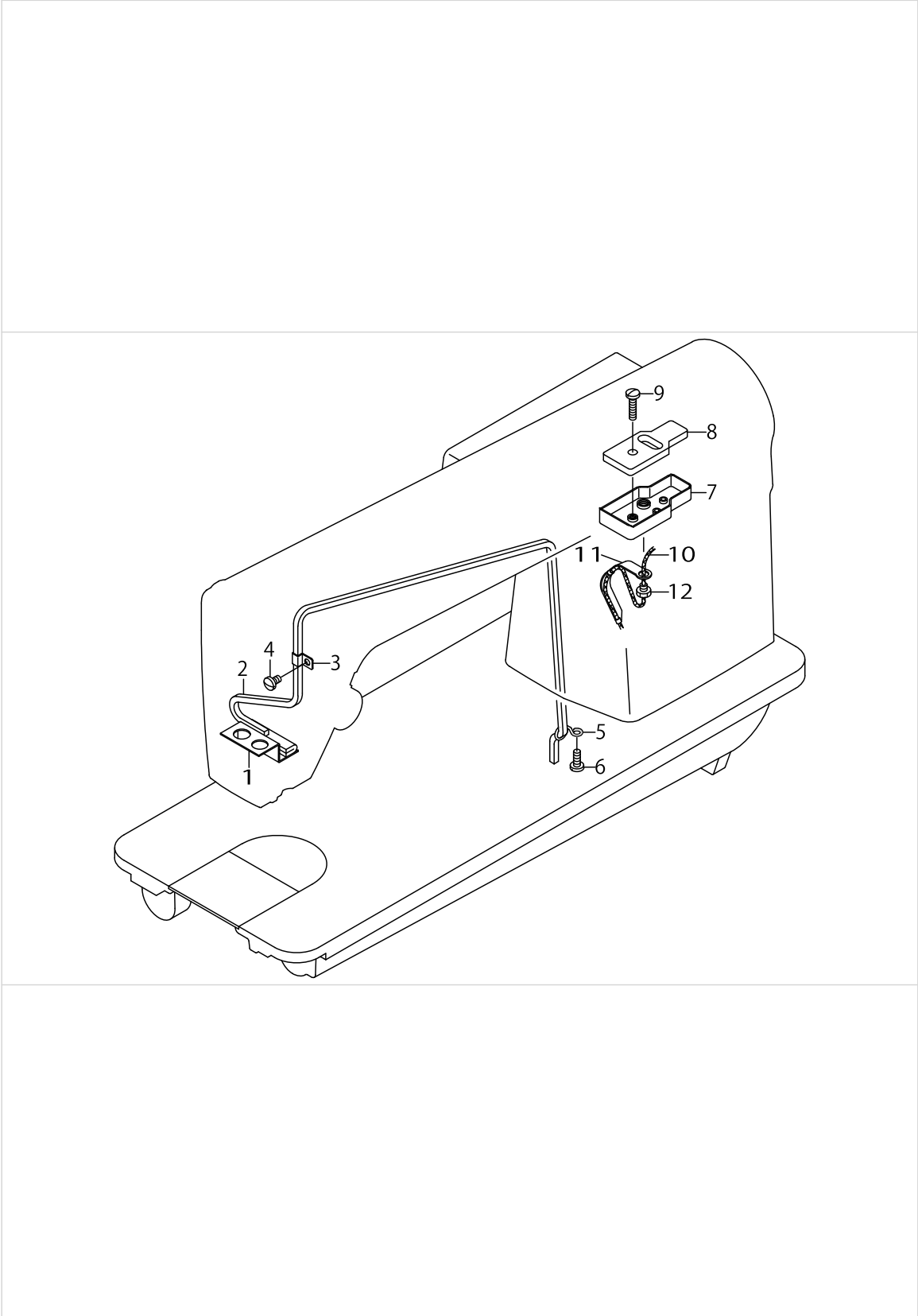
LOOPER & SPREADER COMPONENTS



LOOPER & SPREADER COMPONENTS

No.	Supply Code	Parts No.	Replacement	Parts name	Remarks	Choice	Step	Level	Cons	Qty	Rep. QTY
47		23137508		SPREADER CRANK SHAFT						1	
48		CS095081ASH		THRUST COLLAR ASM. D=9.53 W=8						1	
49		22614507		SPACER F						1	
50		23137607		SPREADER CRANKSHAFT CASE						1	
51	R	22613400	40017056	HOOK DRIVING SHAFT BUSHING						2	1.00
52		SM6051002TP		SCREW M5X0.8 L=10						2	
53		WP0531001SE		WASHER 5.3X9.5X0.6						2	
54		23137409		CRANK SHAFT BASE						1	
55		SM6051202TP		SCREW M5X0.8 L=12						2	
56		WP0531001SE		WASHER 5.3X9.5X0.6						2	
57		PS0350102KR		SPRING PIN 3.5X10						1	
58		WP0371016SD		WASHER 3.7X8X1						1	
59		23121502		LOOPER CRANK B	L TYPE					1	
60		23126006		SPREADER (5MM)	L TYPE					1	

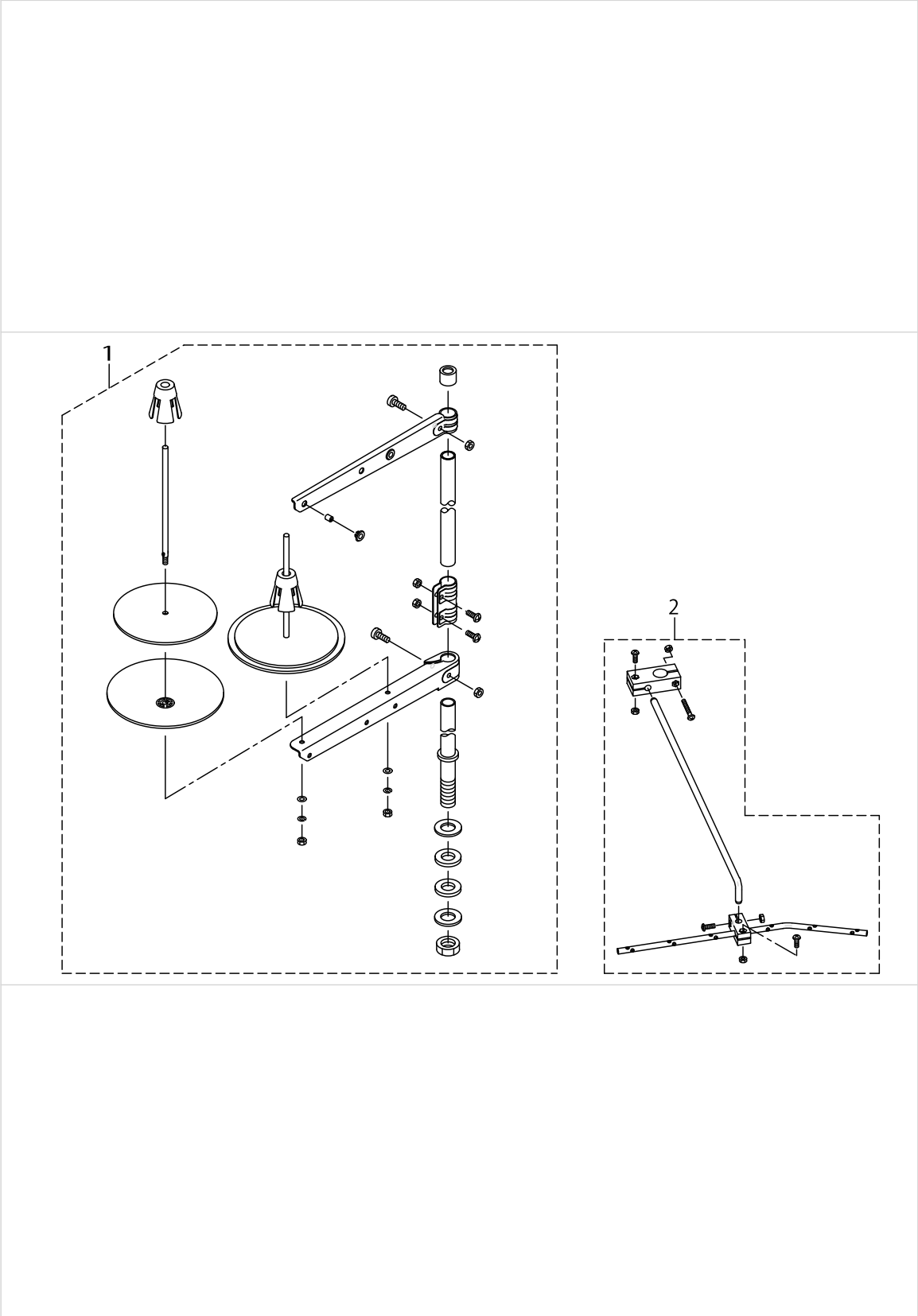
OIL LUBRICATION COMPONENTS



OIL LUBRICATION COMPONENTS

No.	Supply Code	Parts No.	Replacement	Parts name	Remarks	Choice	Step	Level	Cons	Qty	Rep. QTY
1	D	B3528201000		OIL RETURN FELT						1	
2	D	B35102010A0		OIL FELT ASM.						1	
3		B3508512000		OIL FELT HOLDER						1	
4		SS7110710SP		SCREW 11/64-40 L=7						1	
5	D	B3537201000		OIL FELT HOLDER						1	
6	R	SS7111120SP	SS7111120TP	SCREW 11/64-40 L=10.5						1	1.00
7		B3503201000		OIL RESERVOIR						1	
8		B3504201000		OIL FELT						1	
9	R	SS7111810SP	SS7111810TP	SCREW 11/64-40 L=18						1	1.00
10		CQ202000000		OIL WICK						.25	
11	D	B3527012000		HOLDER						1	
12		B3515201000		CLAMP SLEEVE NUT						1	

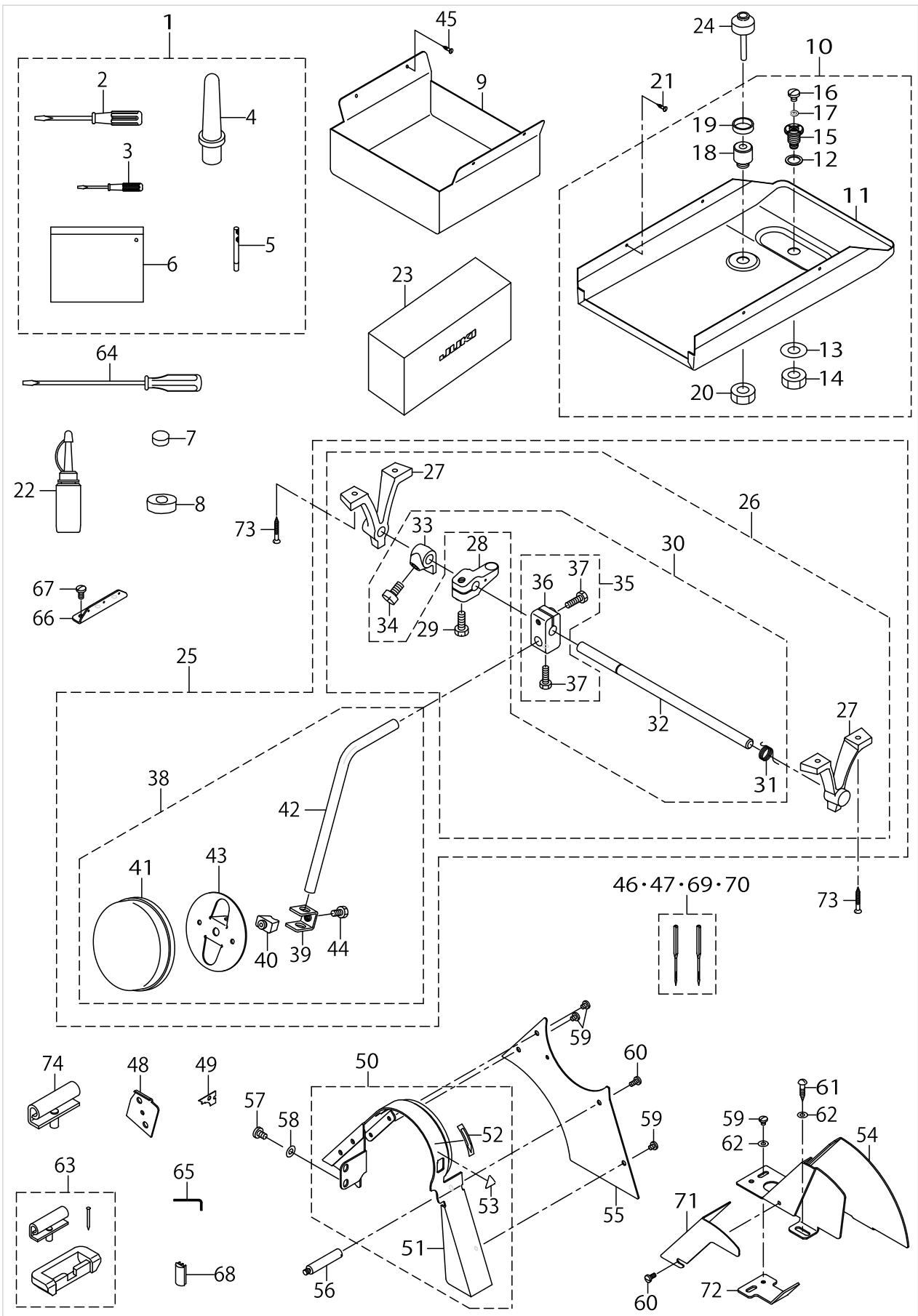
THREAD STAND COMPONENTS



THREAD STAND COMPONENTS

No.	Supply Code	Parts No.	Replacement	Parts name	Remarks	Choice	Step	Level	Cons	Qty	Rep. QTY
1		40096354		THREAD STAND ASM.						1	
2		26910059		THREAD GUIDE ARM ASM.	L TYPE					1	

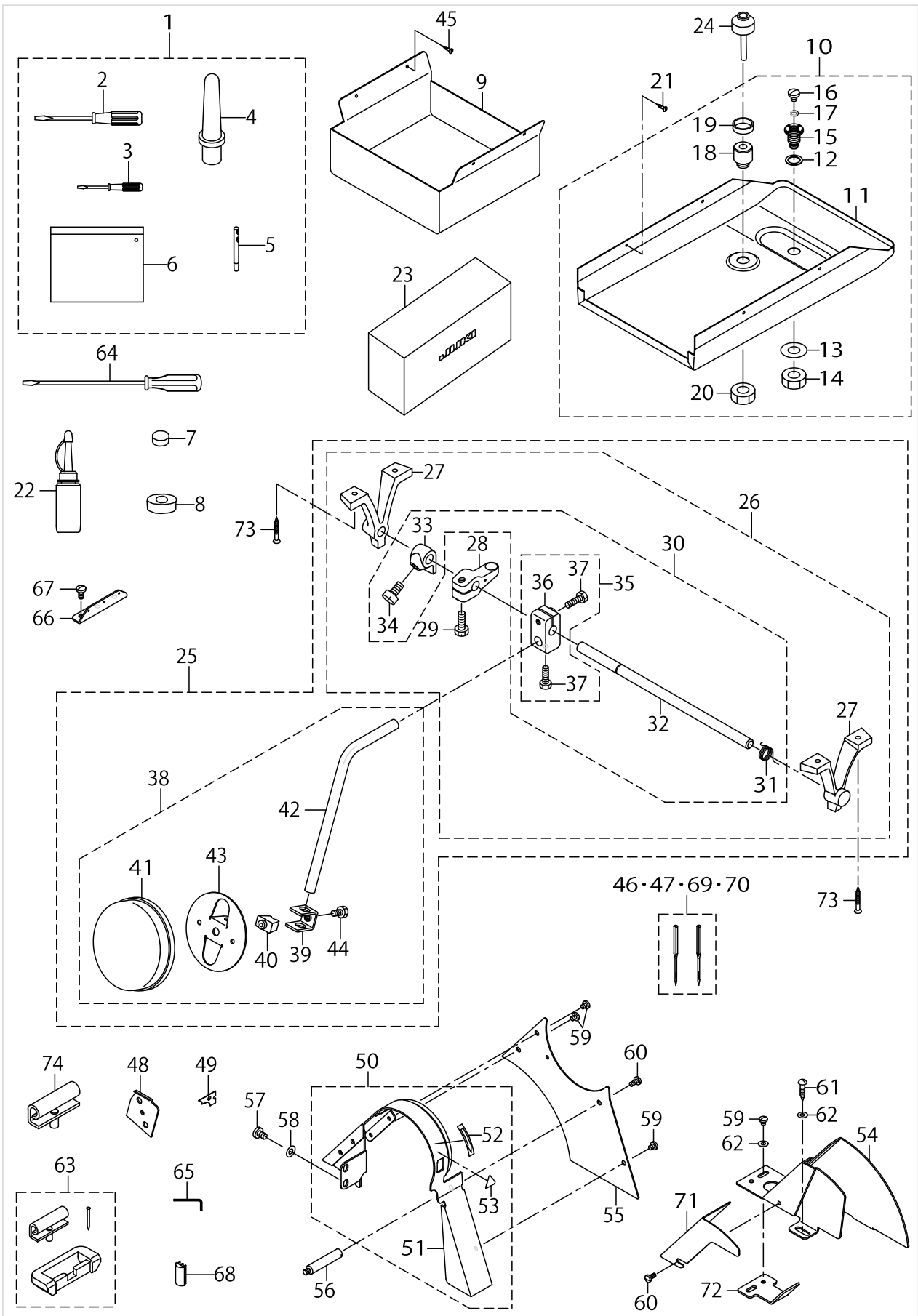
ACCESSORIE PARTS COMPONENTS



ACCESSORIE PARTS COMPONENTS

No.	Supply Code	Parts No.	Replacement	Parts name	Remarks	Choice	Step	Level	Cons	Qty	Rep. QTY
1		21413158		ACCESSORY BAG ASM.						1	
2		22933105		SCREW DRIVER MIDDLE				*		1	
3		22933204		SCREW DRIVER SMALL				*		1	
4		22931604		FRAME SUPPORT BAR				*		1	
5		22958300		NEEDLE THREAD GUIDE PIN				*		1	
6		22932800		ACCESSORIE BAG				*		1	
7		B8206012000		FELT CUSHION						4	
8		B8209012000		RUBBER CUSHION						4	
9		B1839563000		OIL RECEIVING COVER						1	
10		23142052		OIL RESERVOIR ASM.						1	
11		23142003		OIL RESERVOIR				*		1	
12	D	B1532581000		GASKET				*		1	
13		WP1352616SZ		WASHER 13.5X24.0X2.6				*		1	
14		NS6320640SP		NUT 1/2-20				*		1	
15		B8220115000		SCREW				*		1	
16		SS7150740SP		SCREW 15/64-28 L=7				*		1	
17		RO060150100		RUBBER RING				*		1	
18		B8218115000		OIL PAN BOSS				*		1	
19		B8219115000		OIL PAN BOSS RUBBER RING				*		1	
20		NS6320640SP		NUT 1/2-20				*		1	
21	D	SK1271300SC		WOOD SCREW D=2.7 L=13						4	
22		B91212200A0		OILER (CONTAINING NO.2 OIL)						1	
23		22933303		VINYL COVER						1	
24		B3421555000		KNEE PRESS LIFTER ROD						1	
25		B34192010A0		KNEE LIFTER ASM						1	
26	D	B34192010B0		KNEE PAD SHAFT ARM ASM.				*		1	
27		40032132		SUPPORT				*		2	
28		B3425122000		KNEE PRESS LIFTER LEVER				*		1	
29		SS9182010SN		SCREW 9/32-20 L=20				*		1	
30		40033893		KNEE LIFTER ASM.				*		1	
31		40130335		KNEE TOP ROTARY SPRING				*		1	
32		B3420141H0A		KNEE PRESS ROD				*		1	
33		B3434141H00		KNEE PRESS ROD THRUST BLOCK				*		1	
34	R	B3425141H00	SS9201813CP	MOUNTING BRACKET SET SCREW				*		1	1.00
35		22932453		BRACKET ASM.				*		1	
36	R	22932404	22932453	BRACKET				*		1	1.00
37		22934707		SCREW				*		2	
38		22934251		KNEE PAD PLATE ASM.				*		1	
39		22934301		KNEE PAD PLATE SUPPORT				*		1	
40		22934400		KNEE PAD PLATE RUBBER				*		1	
41		22934509		KNEE PAD PLATE COVER				*		1	
42		22934608		KNEE PAD UPRIGHT SHAFT				*		1	
43		22934202		KNEE PAD PLATE				*		1	
44		SM9061203SE		SCREW M6 L=12				*		1	
45		10539906		SET NAIL						4	
46	R	MC231000902	MC231000900	NEEDLE 29-C-150 NM90-2	S TYPE					1	1.00


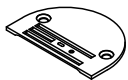


ACCESSORIE PARTS COMPONENTS










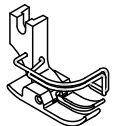
ACCESSORIE PARTS COMPONENTS

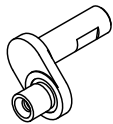
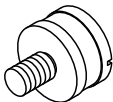
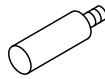

No.	Supply Code	Parts No.	Replacement	Parts name	Remarks	Choice	Step	Level	Cons	Qty	Rep. QTY
47	R	MC276001002	MC276001000	NEEDLE 29-C-151 NM100-2	S TYPE					1	1.00
48		23136005		LOOPER (JC1008P)						1	
49		23138209		SPREADER(JC1023)	S TYPE					1	
50		23128358		BELT COVER A ASM.						1	
51		23128309		BELT COVER A				*		1	
52		CM500300001		DIRECTION LABEL				*		1	
53		CM300800001		CAUTIONLABEL2(16)				*		1	
54		23128507		BELT COVER C						1	
55		23128408		BELT COVER B						1	
56		B8233555000		BELT COVER SUPPORT STUD						1	
57		SS7150940SP		SCREW 15/64-28 L=9						2	
58		WP0621016SD		WASHER 6.2X13X1						2	
59		SS7110510SP		SCREW 11/64-40 L=5						4	
60		SS7110910TP		SCREW 11/64-40 L=8.5						2	
61	R	SK3482500SC	SK3482501SE	WOOD SCREW D=4.8 L=25						2	1.00
62		WP0501016SC		WASHER 5X10.5X1						3	
63		21413257		RUBBER HINGE WASHER ASM						1	
64		22933006		SCREW DRIVER LARGE						1	
65		B9141372000		HEXAGONAL WRENCH LARGE						1	
66		23126402		NEEDLE THREAD GUIDE						1	
67		SS7621040SP		SCREW 3/16-32 L=9.5						2	
68		23124506		NEEDLE CLAMP SPACER (2.0MM)	S TYPE					1	
69	R	MCP1JJB2202	MCP1JJB2200	NEEDLE (CPX1)#22U	L TYPE					1	1.00
70	R	MCP12JB2302	MCP12JB2300	NEEDLE (CPX12)#23	L TYPE					1	1.00
71		23128606		BELT COVER D						1	
72		B8235038000		BOTTOM PLATE						1	
73		SK3483201SE		WOOD SCREW D=4.8 L=32						4	
74	R	B8213125AA0	22958052	HINGE ASM.						2	1.00

OPTIONAL PARTS

Item 品名	Gage set ゲージセット				Throat plate 針板		Needle clamp 針留		Spacer スペーサ	
Needle gauge size 針幅 	S Type S仕様		L Type L仕様							
mm	Ref.No	Part No	Ref.No	Part No	Ref.No	Part No	Ref.No	Part No	Ref.No	Part No
1.2	1	23124357	6	23124366	12	23123003	18	23124100	22	23124308
1.6			7	23124456	13	23123102			23	23124407
2.0			8	23124555					24	23124506
2.5	2	23124654	9	23124663	14	23123201			25	23124605
3.0	3	23124852	10	23124861	15	23123300			19	23124803
4.0	4	23124951	11	23124960	16	23123409	20	23124902		
5.0	5	23125057			17	23123508	21	23125008		

Item 品名	Needle clamp bracket 針抱き		Needle clamp hook 針留フック		Spreader installing base asm. スプレッタ取付台(組)		Spreader スプレッタ		Looper crank ルーパー crank	
Needle gauge size 針幅 										
mm	Ref.No	Part No	Ref.No	Part No	Ref.No	Part No	Ref.No	Part No	Ref.No	Part No
1.2	26	23124209	/		31	23125750	32	23138209	36	23136104
1.6										
2.0										
2.5										
3.0	27	23125107	30	23125404	/	/	33	23125800	37	23121502
4.0	28	23125206					34	23125909		
5.0	29	23125305					35	23126006		

Item 品名	Presser foot asm. 押え(組)	
Needle gauge size 針幅 		
mm	Ref.No	Part No
1.2	38	23122658
1.6		
2.0		
2.5		
3.0	39	23122757
4.0		
5.0		

Needle bar crank 針棒クランク			Synchronizer boss シンクロナイザボス		Synchronizer fitting rod シンクロナイザ取付棒		Synchronizer fitting rod nut シンクロナイザ取付棒ナット	
								
Ref.No	Part No	Thread take-up timing 天秤タイミング	Ref.No	Part No	Ref.No	Part No	Ref.No	Part No
40	23121205	標準-10° Standard -10°	43	22622401	44	23141906	45	NM6040001SC
41	23121304	標準+10° Standard +10°						
42	23121403	自由設定 Free setting						

OPTIONAL PARTS

No.	Supply Code	Parts No.	Replacement	Parts name	Remarks	Choice	Step	Level	Cons	Qty	Rep. QTY
1		23124357		NEEDLE GAUGE SIZE 1.2MM S SET						1	
2		23124654		NEEDLE GAUGE SIZE 2.5MM S SET						1	
3		23124852		NEEDLE GAUGE SIZE 3.0MM S SET						1	
4		23124951		NEEDLE GAUGE SIZE 4.0MM S SET						1	
5		23125057		NEEDLE GAUGE SIZE 5.0MM S SET						1	
6		23124366		NEEDLE GAUGE SIZE 1.2MM L SET						1	
7		23124456		NEEDLE GAUGE SIZE 1.6MM L SET						1	
8		23124555		2.0MM GAGE SET(FOR L-TYPE)						1	
9		23124663		NEEDLE GAUGE SIZE 2.5MM L SET						1	
10		23124861		NEEDLE GAUGE SIZE 3.0MM L SET						1	
11		23124960		NEEDLE GAUGE SIZE 4.0MM L SET						1	
12		23123003		NEEDLE PLATE (1.4X3.0)						1	
13		23123102		NEEDLE PLATE (1.3X4.2)						1	
14		23123201		NEEDLE PLATE (1.6X4.7)						1	
15		23123300		NEEDLE PLATE (2.2X5.6)						1	
16		23123409		NEEDLE PLATE (2.2X6.6)						1	
17		23123508		NEEDLE PLATE (2.2X7.6)						1	
18		23124100		NEEDLE CLAMP S						1	
19		23124803		NEEDLE CLAMP (3.0MM)						1	
20		23124902		NEEDLE CLAMP (4.0MM)						1	
21		23125008		NEEDLE CLAMP (5.0MM)						1	
22		23124308		NEEDLE CRAMP SPACER (1.2MM)						1	
23		23124407		NEEDLE CRAMP SPACER (1.6MM)						1	
24		23124506		NEEDLE CRAMP SPACER (2.0MM)						1	
25		23124605		NEEDLE CRAMP SPACER (2.5MM)						1	
26		23124209		NEEDLE HOLDER S						1	
27		23125107		NEEDLE HOLDER (3.0MM)						1	
28		23125206		NEEDLE HOLDER (4.0MM)						1	
29		23125305		NEEDLE HOLDER (5.0MM)						1	
30		23125404		NEEDLE SPACER HOOK						1	
31		23125750		SPREADER FITTING BASE ASM.						1	
32		23138209		SPREADER(JC1023)						1	
33		23125800		SPREADER (3.0MM)						1	
34		23125909		SPREADER (4.0MM)						1	
35		23126006		SPREADER (5.0MM)						1	
36		23136104		LOOPER CRANK						1	
37		23121502		LOOPER CRANK B						1	
38		23122658		PRESSER S ASM.						1	
39		23122757		PRESSER L ASM.						1	
40		23121205		NEEDLE BAR CRANK (8MM)						1	
41		23121304		NEEDLE BAR CRANK (12MM)						1	
42		23121403		NEEDLE BAR CRANK (FREE)						1	
43		22622401		SYNCRO FRNGE						1	
44		23141906		SENSOR ROD						1	
45		NM6040001SC		NUT M4						1	

HOW TO MAKE USE OF THIS PARTS LIST

1.Explanation of codes

1)"*"mark.....means this part is changed from the previous parts book.

As to the details of the change, refer to the "List for information of change".

2)"#01".....refer to "Note" explanation at bottom of page.

2.Codes on the "Qty" column

- Each numeral indicates the number of parts required.
- "0.1" and "2.5" indicate the length (in meters) of the respective parts.

3.Parentheses mean that the corresponding part is a subpart that constructs an assembly part.

4.Dotted lines on the Figures indicate assembly parts.

1."注記"欄の記号説明

1) "*"印.....前回のパーツブックに比較して今回変更された部品を意味します。

変更内容は、"変更情報リスト"を参照してください。

2) "#01".....ページ下の"注記"の説明を参照してください。

2.数量欄の数字は、個数を表し、0.1、2.5等の数値は、長さ（単位メートル）を表します。

3.数量欄の（ ）は、組部品を構成している子部品であることを意味します。

4.イラストページの-----枠は、組構成であることを意味します。

NUMERICAL INDEX OF PARTS

PART NO	PAGE	REF NO.	PART NO	PAGE	REF NO.	PART NO	PAGE	REF NO.
10539906	26	45	22945307	2	36	23124506	28	68
11002904	14	11	22958300	26	5	23124506	30	24
11415205	2	11	23120801	2	31	23124555	30	8
21045505	8	56	23120900	4	47	23124605	30	25
21272802	14	6	23120959	2	45	23124654	30	2
21413158	26	1	23121007	6	20	23124663	30	9
21413257	28	63	23121106	8	47	23124803	30	19
22602601	2	42	23121155	8	46	23124852	30	3
22613400	20	51	23121205	30	40	23124861	30	10
22614507	20	49	23121304	30	41	23124902	30	20
22622401	30	43	23121403	30	42	23124951	30	4
22901409	6	1	23121502	20	14-59	23124960	30	11
22901805	4	55	23121502	30	37	23125008	8	61
22904155	6	31	23121601	6	36	23125008	30	21
22904155	14	42	23121700	14	9	23125057	30	5
22906101	6	2	23121809	16	56	23125107	30	27
22907000	12	4	23121908	16	52	23125206	30	28
22907109	12	7	23122005	16	46	23125305	8	62
22907505	12	1	23122054	16	45	23125305	30	29
22907604	12	34	23122203	16	51	23125404	8	64
22907703	12	2	23122302	6	42	23125404	30	30
22907802	12	10	23122401	6	33	23125503	18	42
22908909	12	25	23122658	12	35-38	23125602	18	45
22912000	2	21	23122658	30	38	23125750	18	25
22912109	2	20	23122757	12	35-38	23125750	30	31
22921209	2	37	23122757	30	39	23125800	30	33
22921308	2	33	23123003	30	12	23125909	30	34
22921407	2	38	23123102	2	8-25	23126006	20	60
22921506	2	35	23123102	30	13	23126006	30	35
22921803	2	34	23123201	30	14	23126402	28	66
22931604	26	4	23123300	30	15	23126501	4	52
22932404	26	36	23123409	30	16	23127004	14	18
22932453	26	35	23123508	2	8-25	23127103	14	3
22932800	26	6	23123508	30	17	23127152	14	1
22933006	28	64	23124001	6	6	23127202	16	61
22933105	26	2	23124100	6	11	23127301	14	20
22933204	26	3	23124100	30	18	23128309	28	51
22933303	26	23	23124209	6	13	23128358	28	50
22934202	26	43	23124209	30	26	23128408	28	55
22934251	26	38	23124308	30	22	23128507	28	54
22934301	26	39	23124357	30	1	23128606	28	71
22934400	26	40	23124366	30	6	23131808	2	46
22934509	26	41	23124407	8	60	23132301	2	43
22934608	26	42	23124407	30	23	23132806	8	51
22934707	26	37	23124456	30	7	23133804	10	23

NUMERICAL INDEX OF PARTS

PART NO	PAGE	REF NO.	PART NO	PAGE	REF NO.	PART NO	PAGE	REF NO.
23133903	10	24	B1201201000A	6	18	B1701115000	14	10
23134307	14	37	B1202201000	6	24	B1702012000	6	27
23136005	18	1	B1203201000	6	28	B1704141H00	14	39
23136005	28	48	B1204141H00	6	38	B1705155000	16	48
23136104	18	14-59	B1208141H00	8	58	B1706155000	16	47
23136104	30	36	B1301201000	10	12	B1707155000	16	49
23136203	18	10	B1302271000	10	13	B1804201000	10	6
23136302	18	9	B1303271000	10	16	B1805201000	10	20
23136401	18	7	B1305012000	10	7	B1806038000	10	3
23136500	18	16	B13052710A0	10	1	B1835111000	4	48
23136609	18	5	B1306155000	10	8	B1839563000	26	9
23136708	18	3	B1307155000	10	9	B1902552000	8	52
23137409	20	54	B13072710A0	10	18	B1903552000	8	53
23137508	20	47	B1308155000	10	10	B1904201000	8	54
23137607	20	50	B1403553000	6	9	B1905541B00	8	55
23138209	18	23	B1408201000	8	48	B1905541B00	18	41
23138209	28	49	B1411552000	8	49	B2529352000	6	19
23138209	30	32	B1414555000	6	14	B2529352000	18	43
23138308	18	30	B1505227T00A	12	3	B3114771000	2	13
23138407	18	31	B1507552000	12	5	B3118552F00	2	18
23138506	18	34	B1515201000	12	14	B3127127000	2	17
23138605	18	27	B1516552000	12	17	B3412552000	12	21
23138704	18	38	B1517552000	12	18	B3413227000	12	31
23141906	30	44	B15185550A0	12	13	B3414555000	12	24
23142003	26	11	B1521552000	12	36	B3415552000	12	32
23142052	26	10	B1521555000	12	11	B3416552000	12	22
23200702	14	44	B1523226000	12	19	B3416555000	12	27
26910059	24	2	B1532581000	26	12	B3417552000	12	30
40011503	2	32	B1601201000A	14	41	B3418555000	12	28
40023223	6	10	B1604141H00	16	53	B34192010A0	26	25
40032132	26	27	B1605201000	16	55	B34192010B0	26	26
40033893	26	30	B16072010A0A	14	32	B3420141H0A	26	32
40054784	2	40	B1611155000A	14	29	B3421555000	26	24
40054785	2	39	B1619141H00	14	5	B3425122000	26	28
40096354	24	1	B1621201000	14	17	B3425141H00	26	34
40114236	2	1	B1624141H0A	14	12	B3434141H00	26	33
40130335	26	31	B1627226000	14	21	B3503201000	22	7
40130708	2	27	B16331220A0	16	63	B3504201000	22	8
B1110012000	2	22	B1646201000	14	26	B3508512000	22	3
B1111012000	2	23	B1647226000	14	27	B35102010A0	22	2
B1113012000	14	35	B1648122000	14	24	B3511280000	6	35
B111852200A	2	4	B1651141H00	16	54	B3515201000	22	12
B1126552000	2	15	B1660481000	4	56	B3527012000	22	11
B1128522000	2	9	B1661481000	4	57	B3528201000	22	1
B1156115000	2	7	B1662481000	4	58	B3537201000	22	5

NUMERICAL INDEX OF PARTS

PART NO	PAGE	REF NO.	PART NO	PAGE	REF NO.	PART NO	PAGE	REF NO.
B8206012000	26	7	RE0500000K0	12	29	SS6110710TP	16	60
B8209012000	26	8	RE0500711KP	18	37	SS6111620SP	4	51
B8213125AA0	28	74	RE0600000K0	12	20	SS6121210SP	14	22
B8218115000	26	18	RO060150100	26	17	SS6121610SP	14	33
B8219115000	26	19	RO074240100	16	65	SS6121860SP	14	19
B8220115000	26	15	SD0630275SP	12	15	SS6151220SP	14	4
B8233555000	28	56	SD0630301SP	12	16	SS6661110SP	14	2
B8235038000	28	72	SD0720331SP	12	26	SS7090530SP	8	63
B91212200A0	26	22	SD0950802SH	14	7	SS7090710SP	14	25
B9141372000	28	65	SD1020961SP	14	30	SS7091110SP	12	9
CM300200001	2	29	SK1271300SC	26	21	SS7110510SP	2	12
CM300800001	28	53	SK3482500SC	28	61	SS7110510SP	28	59
CM301300001	2	30	SK3483201SE	28	73	SS7110710SP	22	4
CM500300001	28	52	SM4020301SC	18	24	SS7110910TP	28	60
CQ202000000	6	29	SM6031202TP	10	2	SS7111110TP	14	34
CQ202000000	14	38	SM6040802TP	18	32	SS7111120SP	14	40
CQ202000000	22	10	SM6041012TP	16	57	SS7111120SP	22	6
CQ252000000	10	22	SM6041202TP	18	6	SS7111410SP	12	6
CS0791016SH	10	17	SM6050802TP	6	44	SS7111810SP	22	9
CS0800816SH	18	28	SM6051002TP	20	52	SS7150740SP	26	16
CS095081ASH	20	48	SM6051202TP	20	55	SS7150940SP	28	57
MC231000900	6	7	SM6051402TP	16	50	SS7151120SP	6	30
MC231000902	26	46·47·69- .70	SM6051410SC	10	19	SS7620750SP	14	23
MC276001000	6	8	SM6051602TP	2	44	SS7621040SP	28	67
MC276001002	28	46·47·69- .70	SM8050502TP	18	39	SS7681750TP	6	23
MCP12JB2300	6	39	SM8050612TP	6	22	SS8090540SP	4	59
MCP12JB2302	28	46·47·69- .70	SM8050812TP	18	18	SS8090540SP	6	12
MCP1JJB2200	6	41	SM8060612TP	18	15	SS8090670SP	2	41
MCP1JJB2202	28	46·47·69- .70	SM9061203SE	26	44	SS8110422TP	18	29
NM6040001SC	30	45	SS2110915SP	8	57	SS8110510SP	2	10
NM6050003SC	18	35	SS2110920TP	2	26	SS8110520TP	10	14
NS6090310SP	2	14	SS4080620TP	16	62	SS8150310SP	6	3
NS6150430SP	4	60	SS4110815SP	2	5	SS8150310SP	12	8
NS6320640SP	26	20	SS4111215SP	2	2	SS8150710SP	2	19
NS6620310SP	12	33	SS5060310SP	6	45	SS8150710SP	14	58
NS6680410SP	14	31	SS5090610SP	2	53	SS8150710SP	16	58
NS6740510SP	14	36	SS5090610SP	4	53	SS8150710TP	6	37
PS0350102KR	6	17	SS6060210SP	2	24	SS8150710TP	10	21
PS0350102KR	20	57	SS6060440TP	4	50	SS8151150SP	6	40
PS0350252KR	6	4	SS6080410SP	18	2	SS8151150SP	10	15
RC0150001KP	16	59	SS6090630SP	4	49	SS8151550SP	6	43
RC0740811KP	18	40	SS6090650SP	12	37	SS8660512TP	18	46
			SS6090670TP	8	50	SS8660610TP	6	32
			SS6090910SP	18	26	SS8660610TP	14	43
			SS6110710TP	8	59	SS8660810TP	6	34

NUMERICAL INDEX OF PARTS

PART NO	PAGE	REF NO.
SS8660810TP	10	11
SS8660810TP	14	13
SS8661040TP	14	14
SS8681950SP	6	21
SS9182010SN	26	29
TA0370601M0	18	17
TA1250406R0	2	3
TA1250705R0	2	6
TA2050406R0	2	28
WP0370316SD	4	54
WP0371016SD	20	58
WP0430801SE	18	33
WP0501016SC	28	62
WP0531001SE	18	56
WP0531001SE	20	56
WP0621016SD	4	61
WP0621016SD	28	58
WP0740516SP	12	12
WP0742016SP	16	64
WP1352616SZ	26	13
WZ1052010KP	14	16