

MODEL : UT25
List No : 1386-04

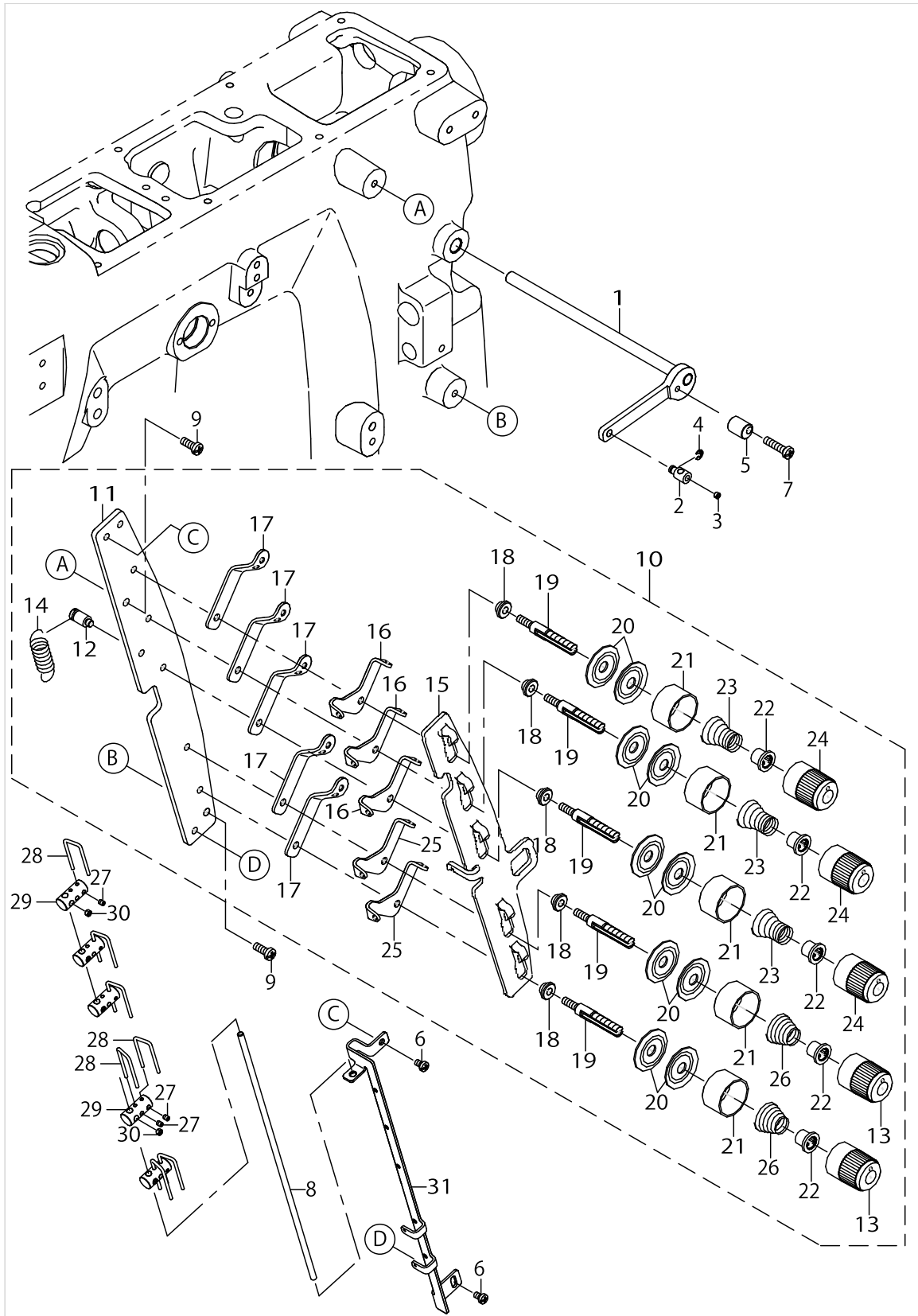
PARTS LIST

Published:05/12/2017

CONTENTS

THREAD TENSION COMPONENTS	1
LOOPER THREAD TRIMMER COMPONENTS	3
PNEUMATIC DRIVE & PRESSER FEED LIFTER COMPONENTS.....	5
TOP COVER THREAD TRIMMER COMPONENTS	9
ACCESSORIE PART COMPONENTS.....	11
HOW TO MAKE USE OF THIS PARTS LIST	13

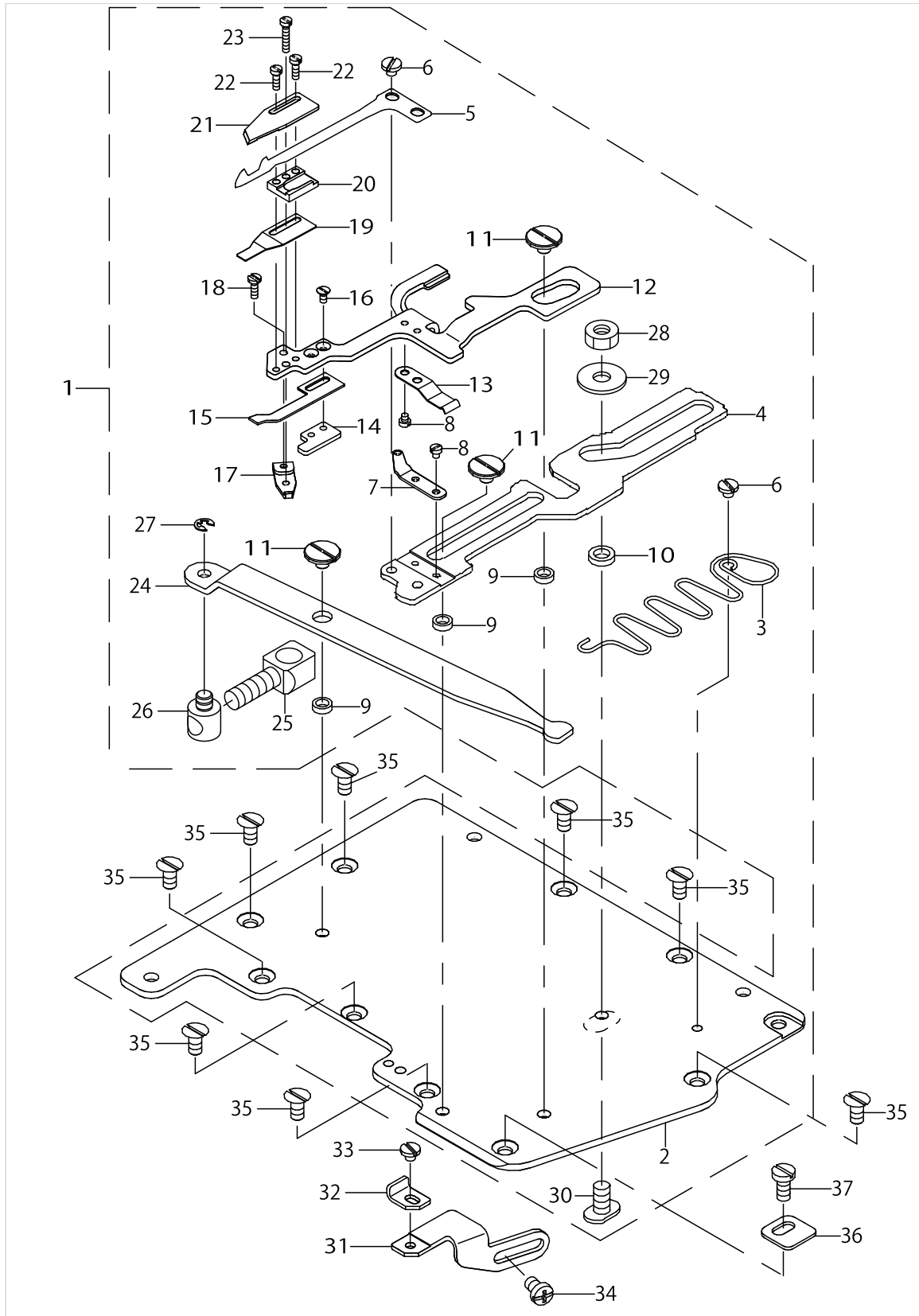
THREAD TENSION COMPONENTS



THREAD TENSION COMPONENTS

No.	Supply Code	Parts No.	Replacement	Parts name	Remarks	Choice	Step	Level	Cons	Qty	Rep. QTY
1		13456553		PULL_OFF_LEVER_ASSY						1	
2		13456405		THD_PULL_OFF_BAR_HOLDER						1	
3		SM8040360TP		SCREW						1	
4		RE0300000K0		E-RING 3						1	
5		40065785		TENS_RELEASE_ADJ_ECC						1	
6		SM4040655SP		SCREW M4 L=6						2	
7		SM4041655SP		SCREW M4 L=16						1	
8		13456108		PULL_OFF_BAR						1	
9		SM4041055SP		SCREW						2	
10		40066136		THREAD_TENSION_ASSY						1	
11		13340203		TENSION POST SUPPORT				*		1	
12		13340302		SHOULDER SCREW				*		1	
13		40042363		KNOB				*		2	
14		B2008372000		THREAD TENSION SPRING				*		1	
15		40065784		TENSION_DISC_SEPARATOR				*		1	
16	R	13341607	40040066	TENSION_DISC_EYELET_2		B	MF-7724-U10-D60	*		3	1.00
16	R	13341607	40066136	TENSION_DISC_EYELET_2				*		3	1.00
17		13340609		THREAD LEAD IN GUIDE				*		5	
18		13340708		SPACER				*		5	
19		40042362		TENSION POST				*		5	
20		13138201		THREAD TENSION DISK				*		10	
21		40042366		THREAD TENSION DISK PRESSER				*		5	
22		40042365		SPRING BUSHING				*		5	
23		13140504		TENNSION SPRING				*		3	
24		40042364		KNOB GREEN				*		3	
25		13340500		TENSION DISC EYELET				*		2	
26	R	B3121804000	40102003	TENSION SPRING				*		2	1.00
27		SM8030412TP		SCREW						7	
28		13456603		THD_PULL_OFF_HOOK						7	
29		13456207		THD_P_O_HOOK_GUIDE						5	
30		SM8040360TP		SCREW						5	
31		13456009		THREAD_GUIDE						1	

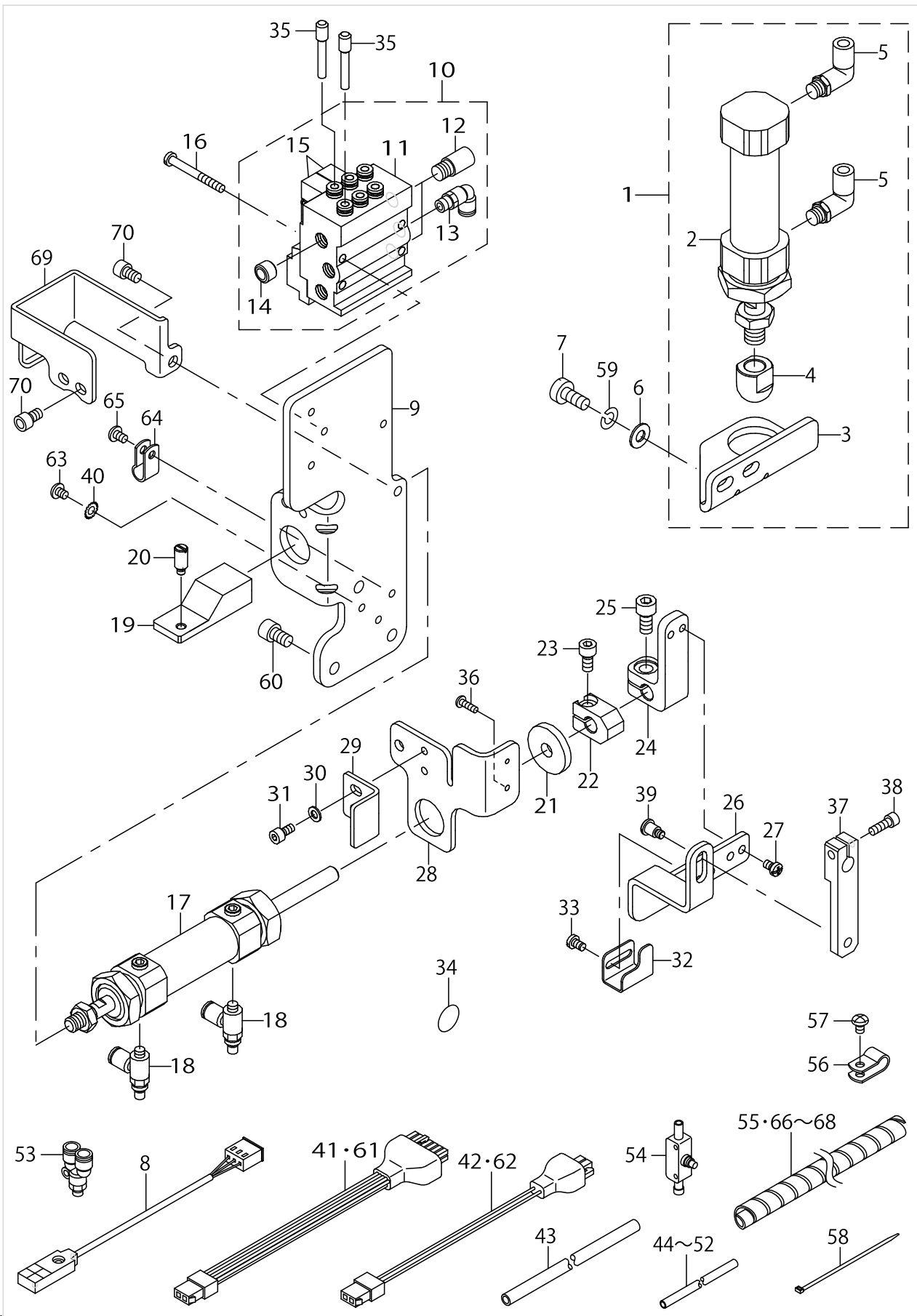
LOOPER THREAD TRIMMER COMPONENTS



LOOPER THREAD TRIMMER COMPONENTS

No.	Supply Code	Parts No.	Replacement	Parts name	Remarks	Choice	Step	Level	Cons	Qty	Rep. QTY
1		40026174		UNDER_TRIMMER_ASSY						1	
2		40070201		BED TOP COVER FOR UT				*		1	
3		13440409		SPRING_FOR_UT				*		1	
4		13440102		LOWER_KNIFE_HOLDER				*		1	
5		13441308		LOWER_KNIFE				*		1	
6		SM6030350SN		SCREW M3 L=2.5				*		3	
7		13440805		EYELET				*		1	
8		SM6020250TP		SCREW.				*		4	
9		13440904		SPACER_1				*		3	
10		13441001		SPACER_2				*		1	
11		SM6040460TP		SCREW				*		3	
12		13440201		KNIFE_HOLDER_GUIDE				*		1	
13		13441902		LEAF_SPRING-2				*		1	
14		13441605		THREADED_PLATE				*		1	
15		13441803		LEAF_SPRING-1				*		1	
16		SM1020450TP		SCREW M2 L=4				*		2	
17		13441506		TENSION_LEVER				*		1	
18		SM6020600TP		SCREW				*		1	
19		13442207		LEAF_SPRING-3				*		1	
20		13441407		LOWER_KNIFE_GUIDE				*		1	
21		13441704		UPPER_KNIFE				*		1	
22		SM6020600TP		SCREW				*		2	
23		SM6021000TP		SCREW				*		1	
24		13440300		LEVER				*		1	
25		40025990		LINK_DRIVING				*		1	
26		40025989		BOLT_CARRIER				*		1	
27		RE0250000K0		E-RING 2.5				*		1	
28		NM6040001SP		NUT M4X0.7				*		1	
29		WP0431005SP		PLAIN WASHER 4.3X12X1				*		1	
30		40070110		SCREW				*		1	
31		13440607		GUIDE_BASE						1	
32		13440706		GUIDE						1	
33		SM6030350SN		SCREW M3 L=2.5						1	
34		SM4040655SN		SCREW M4X0.7 L=6						2	
35		SM1040860SP		SCREW						8	
36		13440508		STOP_PLATE						1	
37		SM6040870SP		SCREW						1	

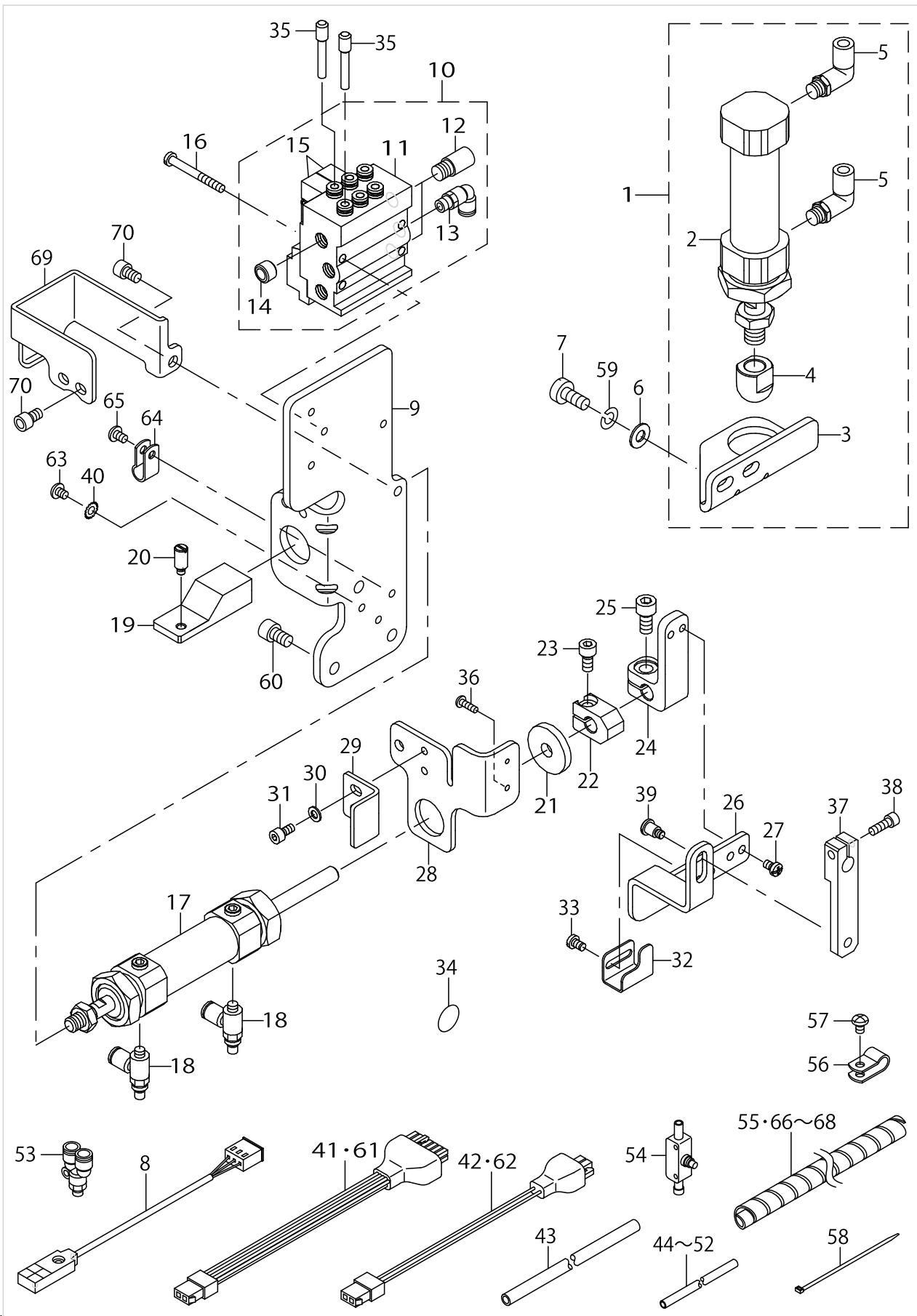
PNEUMATIC DRIVE & PRESSER FEED LIFTER COMPONENTS



PNEUMATIC DRIVE & PRESSER FEED LIFTER COMPONENTS

No.	Supply Code	Parts No.	Replacement	Parts name	Remarks	Choice	Step	Level	Cons	Qty	Rep. QTY
1		40018079		PNEUMATIC_P_F_LIFTER_ASSY						1	
2		PA2503004A0		AIR CYLINDER				*		1	
3		13455001		AIR_CYLINDER_BRACKET				*		1	
4		13455100		AIR_CYLINDER_CAP				*		1	
5		PJ304045102		ELBOW UNION, C				*		2	
6		WP0621016SD		WASHER 6.2X13X1						2	
7		SM6061400SP		SCREW M6 L=14						2	
8		40021746		UNDER_TRIMMER_S- ENSOR_CABLE_ASM	FOR SC-5- 00,SC-510					1	
9		13442504		AIR_CYLINDER_BRACKET						1	
10		40072396		MANIFOLD_VALVE_ASSY						1	
11		PV035161000		MANIFOLD				*		1	
12		PX055104000		SILENCER (PT1/8)				*		2	
13		PJ304065101		ELBOW UNION 6XPT1/8				*		1	
14		PJ025100002		PLUG R1/8				*		3	
15		PV150103200		5-PORT SOKENOID VALVE				*		2	
16		SM4043555SP		SCREW						2	
17		PA2001802A0		AIR CYLINDER						1	
18		PC010508000		SPEED CONTROLLER						2	
19	D	13442603		PLUNGER						1	
20		13442702		PIN						1	
21		13443601		WASHER						1	
22		13442900		COLLAR						1	
23		SM6051002TP		SCREW M5X0.8 L=10						1	
24		13443007		PLATE HOLDER						1	
25		SM6061202TP		SCREW M6 L=12						1	
26		13443106		TENS_RELEASE_PLATE						1	
27		SM4040655SP		SCREW M4 L=6						2	
28	D	13442801		SENSOR HOLDER						1	
29	D	13443700		SUPPORT_PLATE_UT						1	
30		WP0430800SC		WASHER M4						2	
31		SM6040802TP		SCREW M4X0.7 L=8						2	
32		13443205		SWITCH_PLATE						1	
33		SM4040655SP		SCREW M4 L=6						2	
34		22901805		GROUND MARK						1	
35		PX500014000		PLUG						2	
36		SM4031001SN		SCREW						1	
37		13443304		TENSION_RELEASE_LEVER						1	
38		SM6041202TP		SCREW M4X0.7 L=12						1	
39		SD0700706TP		SHOULDER SCREW						1	
40		WT0430002KN		WASHER M4						1	
41		40018084		UNDER_TRIMMER_CABLE_ASM	FOR SC-500					1	
42		40018085		LIFT_UP_CABLE_ASM.	FOR SC-500					1	
43		BT0600401EB		TUBE						2	
44		BT0400251EB		URETHANE HOSE, BLACK						.27	
45		BT0400251EB		URETHANE HOSE, BLACK						.32	
46		BT0400251EB		URETHANE HOSE, BLACK						.08	

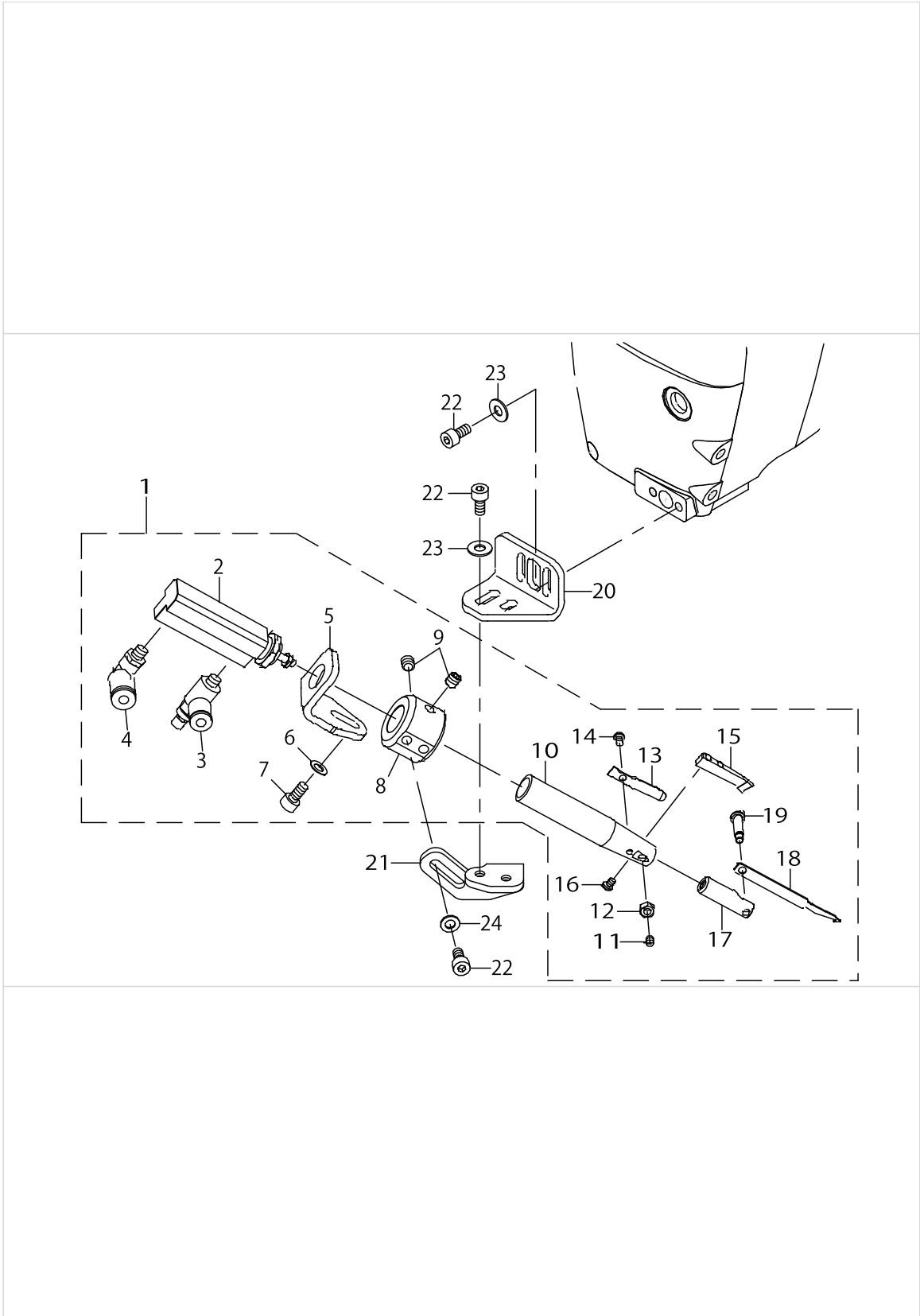
PNEUMATIC DRIVE & PRESSER FEED LIFTER COMPONENTS



PNEUMATIC DRIVE & PRESSER FEED LIFTER COMPONENTS

No.	Supply Code	Parts No.	Replacement	Parts name	Remarks	Choice	Step	Level	Cons	Qty	Rep. QTY
47		BT0400251EB		URETHANE HOSE, BLACK						.08	
48		BT0400251EB		URETHANE HOSE, BLACK						.42	
49		BT0400251EB		URETHANE HOSE, BLACK						.23	
50		BT0400251EB		URETHANE HOSE, BLACK						.63	
51		BT0400251EB		URETHANE HOSE, BLACK						.3	
52		BT0400251EB		URETHANE HOSE, BLACK						.22	
53		PJ308040006		UNION						2	
54		PC012401000		SPEED CONTROLLER						1	
55		HX00314000A		SPIRAL TUBE						.6	
56		HX00150000B		CABLE CLIP						2	
57		SM4040655SP		SCREW M4 L=6						2	
58		EA9500B0100		CABLE BAND						3	
59		WS0610002KP		SPRING WASHER						2	
60		SM6061002TP		SCREW M6 L=10						3	
61		40027211		UNDER_TRIMMER_CABLE_B_ASM.	FOR SC-510					1	
62		40027213		LIFT_UP_CABLE_B_ASM.	FOR SC-510					1	
63		SM4040501SN		SCREW M4X0.7 L=5						1	
64		HX00150000B		CABLE CLIP						1	
65		SM4040655SP		SCREW M4 L=6						1	
66		HX003140000		SPIRAL TABE						.96	
67		HX00314000D		SPIRAL TUBE						.12	
68		HX00314000D		SPIRAL TUBE						.1	
69		40069703		SOLENOIDE_COVER						1	
70		SM6050802TP		SCREW M5X0.8 L=8						3	

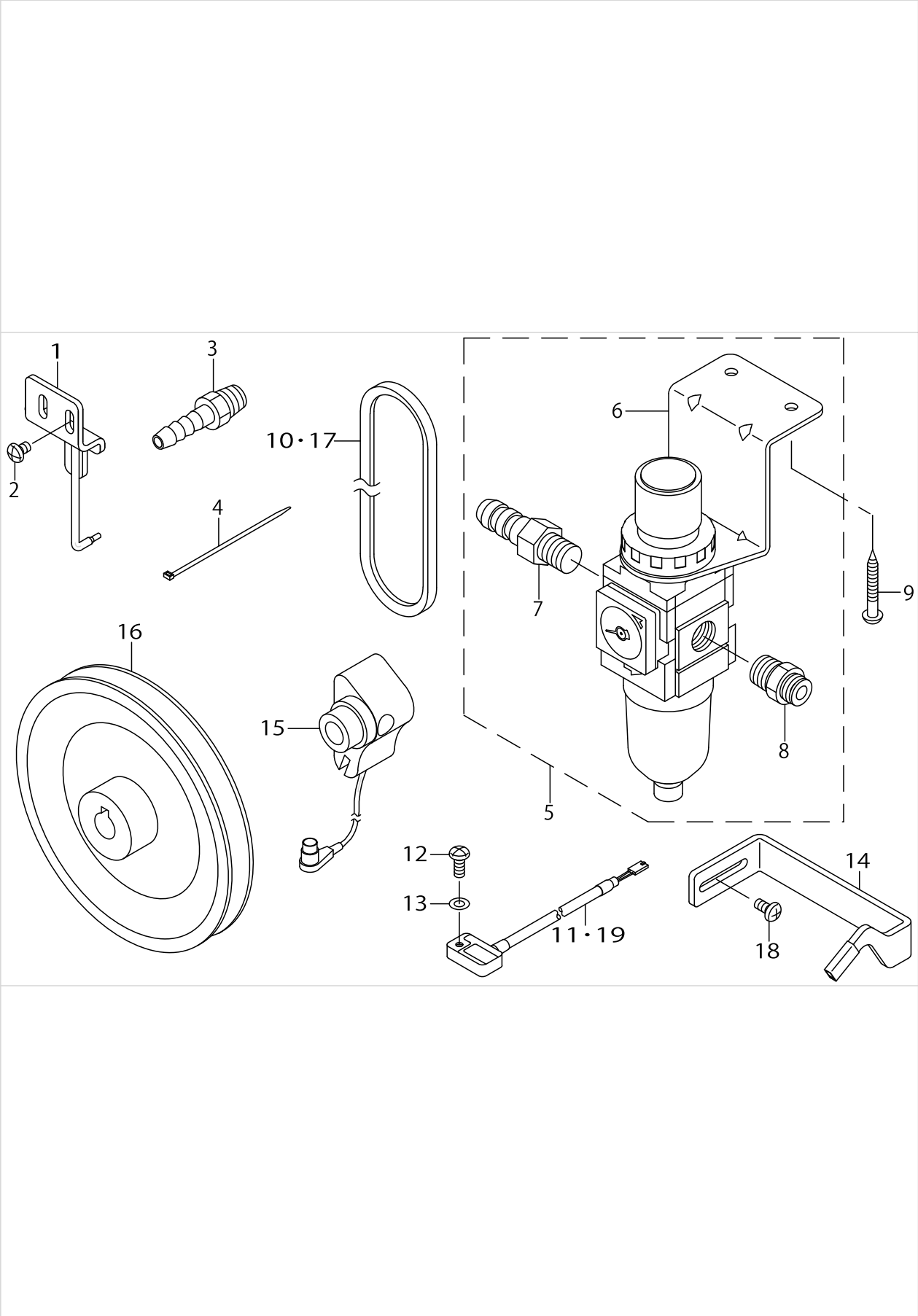
TOP COVER THREAD TRIMMER COMPONENTS



TOP COVER THREAD TRIMMER COMPONENTS

No.	Supply Code	Parts No.	Replacement	Parts name	Remarks	Choice	Step	Level	Cons	Qty	Rep. QTY
1		40021279		U_L_THREAD_TRIMMER_ASSY						1	
2		PA0602006A0		AIR CYLINDER				*		1	
3		PC010508000		SPEED CONTROLLER				*		1	
4		PJ304040504		ELBOW UNION				*		1	
5		13459300		AIR_CYLINDER_BRACKET				*		1	
6		WP0430800SC		WASHER M4				*		2	
7		SM6040802TN		SCREW				*		2	
8		13458203		COLLAR				*		1	
9		SM8050512TP		SCREW				*		2	
10		13458302		KNIFE HOLDER				*		1	
11		SM8030450SP		SCREW M3 L=4				*		1	
12		NM6030001SD		NUT M3X0.5				*		1	
13		13458401		SPRING				*		1	
14		SM4850455SP		SCREW				*		1	
15		40029004		FIXED_KNIFE				*		1	
16		SM4850455SP		SCREW				*		2	
17		13458005		MOVING_KNIFE HOLDER				*		1	
18		40058211		MOVING_KNIFE				*		1	
19		13458104		SHOULDER_SCREW				*		1	
20		40050570		BRACKET_2						1	
21		40050569		BRACKET						1	
22		SM6040802TN		SCREW						6	
23		WP0450826SC		WASHER 4.5X10X0.8						4	
24		WP0430800SC		WASHER M4						2	

ACCESSORIE PART COMPONENTS



ACCESSORIE PART COMPONENTS

No.	Supply Code	Parts No.	Replacement	Parts name	Remarks	Choice	Step	Level	Cons	Qty	Rep. QTY
1		13442058		AIR_BLOW_TUBE_ASSY						1	
2		SM4040655SP		SCREW M4 L=6						2	
3		PJ032526001		HOSE NIPPLE						1	
4		EA9500B0100		CABLE BAND						4	
5		40018052		FILTER_REGULATOR_ASSY						1	
6		PF0552070C0		FILTER GEGULATOR				*		1	
7		F1021003000		HOSE JOINT				*		1	
8		PJ301065201		HALF UNION 6XPT1/4				*		1	
9	R	SK3451600SC	SK3451601SE	WOOD SCREW D=4.5 L=16						2	1.00
10		MTJVM003900		V-BELT, 39 INCH	FOR SC-500					1	
11		40021727		RESISTOR PACK BL ASM.	FOR MF-7-800(SC-500)					1	
12		SM4041055SP		SCREW	FOR SC-500					1	
13		WP0430800SD		WASHER M4	FOR SC-500					1	
14		40082313		STOPPER ASM	FOR SC-5-00,SC-510					1	
15		40026920		SYNCHRONIZERASM.	FOR SC-5-00,SC-510					1	
16		MTSP0115000A		MOTOR PULLEY	FOR SC-510					1	
17		MTJVM004000		V-BELT, 40 INCH	FOR SC-510					1	
18		SM4040855SP		SCREW						2	
19		40083598		RESISTOR PACK AA ASM.	FOR MF-7-800D(SC-500)					1	

HOW TO MAKE USE OF THIS PARTS LIST

- 1.As to "#01" and "#02" refer to the "Note" given at the bottom of the respective pages.
- 2.Codes on the "Qty" column
 - Each numeral indicates the number of parts required.
 - "0.1" and "2.5" indicate the length (in meters) of the respective parts.
- 3.Parentheses mean that the corresponding part is a subpart that constructs an assembly part.
- 4.Dotted lines on the Figures indicate assembly parts.

ALL PARTS NOT MENTIONED IN THIS PARTS LIST ARE SAME AS THOSE OF
MODEL MF-7800. OTHER PARTS LIST RELATED TO THIS MODEL.
*MF-7800 SERIES (NO.1379 PART NO.13450002)

NUMERICAL INDEX OF PARTS

PART NO	PAGE	REF NO.	PART NO	PAGE	REF NO.	PART NO	PAGE	REF NO.
13138201	2	20	13456603	2	28	EA9500B0100	12	4
13140504	2	23	13458005	10	17	F1021003000	12	7
13340203	2	11	13458104	10	19	HX00150000B	8	64
13340302	2	12	13458203	10	8	HX003140000	8	55·66~ 68
13340500	2	25	13458302	10	10	HX00314000A	8	55·66~ 68
13340609	2	17	13458401	10	13	HX00314000D	8	55·66~ 68
13340708	2	18	13459300	10	5	MTJVM003900	12	10·17
13341607	2	16	22901805	6	34	MTJVM004000	12	10·17
13440102	4	4	40018052	12	5	MTSP0115000A	12	16
13440201	4	12	40018079	6	1	NM6030001SD	10	12
13440300	4	24	40018084	6	41·61	NM6040001SP	4	28
13440409	4	3	40018085	6	42·62	PA0602006A0	10	2
13440508	4	36	40021279	10	1	PA2001802A0	6	17
13440607	4	31	40021727	12	11·19	PA2503004A0	6	2
13440706	4	32	40021746	6	8	PC010508000	6	18
13440805	4	7	40025989	4	26	PC010508000	10	3
13440904	4	9	40025990	4	25	PC012401000	8	54
13441001	4	10	40026174	4	1	PF0552070C0	12	6
13441308	4	5	40026920	12	15	PJ025100002	6	14
13441407	4	20	40027211	8	41·61	PJ032526001	12	3
13441506	4	17	40027213	8	42·62	PJ301065201	12	8
13441605	4	14	40029004	10	15	PJ304040504	10	4
13441704	4	21	40042362	2	19	PJ304045102	6	5
13441803	4	15	40042363	2	13	PJ304065101	6	13
13441902	4	13	40042364	2	24	PJ308040006	8	53
13442058	12	1	40042365	2	22	PV035161000	6	11
13442207	4	19	40042366	2	21	PV150103200	6	15
13442504	6	9	40050569	10	21	PX055104000	6	12
13442603	6	19	40050570	10	20	PX500014000	6	35
13442702	6	20	40058211	10	18	RE0250000K0	4	27
13442801	6	28	40065784	2	15	RE0300000K0	2	4
13442900	6	22	40065785	2	5	SD0700706TP	6	39
13443007	6	24	40066136	2	10	SK3451600SC	12	9
13443106	6	26	40069703	8	69	SM1020450TP	4	16
13443205	6	32	40070110	4	30	SM1040860SP	4	35
13443304	6	37	40070201	4	2	SM4031001SN	6	36
13443601	6	21	40072396	6	10	SM4040501SN	8	63
13443700	6	29	40082313	12	14	SM4040655SN	4	34
13455001	6	3	40083598	12	11·19	SM4040655SP	2	6
13455100	6	4	B2008372000	2	14	SM4040655SP	6	65
13456009	2	31	B3121804000	2	26	SM4040655SP	8	65
13456108	2	8	BT0400251EB	6	44~52	SM4040655SP	12	2
13456207	2	29	BT0400251EB	8	44~52	SM4040855SP	12	18
13456405	2	2	BT0600401EB	6	43			
13456553	2	1	EA9500B0100	8	58			

NUMERICAL INDEX OF PARTS

PART NO	PAGE	REF NO.
SM4041055SP	2	9
SM4041055SP	12	12
SM4041655SP	2	7
SM4043555SP	6	16
SM4850455SP	10	16
SM6020250TP	4	8
SM6020600TP	4	22
SM6021000TP	4	23
SM6030350SN	4	33
SM6040460TP	4	11
SM6040802TN	10	22
SM6040802TP	6	31
SM6040870SP	4	37
SM6041202TP	6	38
SM6050802TP	8	70
SM6051002TP	6	23
SM6061002TP	8	60
SM6061202TP	6	25
SM6061400SP	6	7
SM8030412TP	2	27
SM8030450SP	10	11
SM8040360TP	2	30
SM8050512TP	10	9
WP0430800SC	6	30
WP0430800SC	10	24
WP0430800SD	12	13
WP0431005SP	4	29
WP0450826SC	10	23
WP0621016SD	6	6
WS0610002KP	8	59
WT0430002KN	6	40