

MODEL : DP-2100

List No : 1385-06

# PARTS LIST

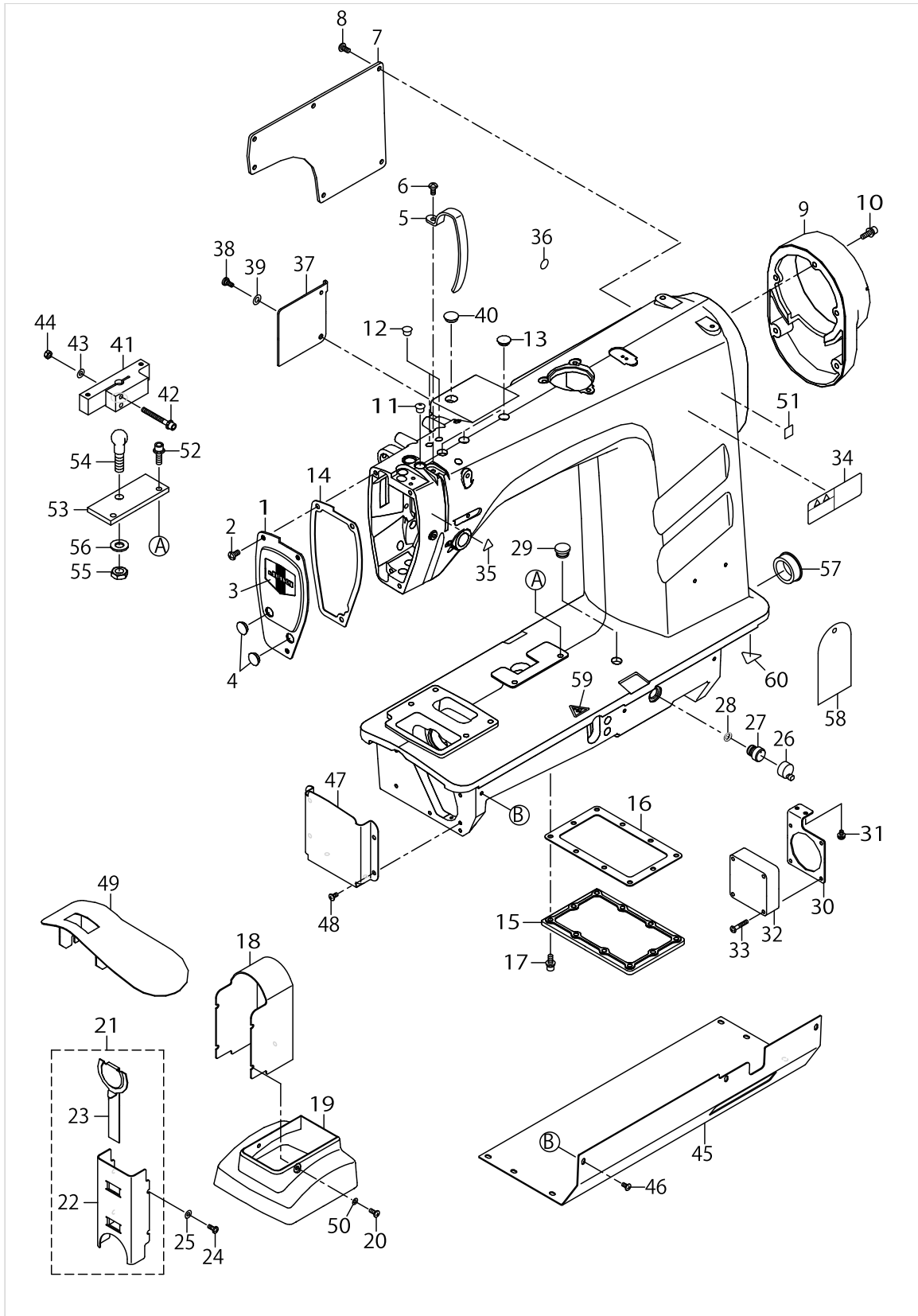
Published:05/12/2017

## CONTENTS

---

FRAME & MISCELLANEOUS COVER COMPONENTS (1) .....	1
FRAME & MISCELLANEOUS COVER COMPONENTS (2) .....	5
MAIN SHAFT & NEEDLE BAR COMPONENTS .....	7
PRESSER COMPONENTS.....	11
PRESSER LIFTER COMPONENTS.....	15
UPPER FEED MECHANISM COMPONENTS.....	19
LOWER FEED MECHANISM & HOOK SHAFT & LOWER SHAFT COMPONENTS.....	25
THREAD TRIMMER MECHANISM COMPONENTS.....	31
THREAD TENSION COMPONENTS.....	33
BOBBIN WINDER COMPONENTS.....	35
THREAD STAND COMPONENTS.....	37
TABLE STAND COMPONENTS.....	39
CONTROL BOX COMPONENTS.....	43
OPERATION PANEL COMPONENTS (IP-200C).....	47
WIRING DIAGRAM.....	49
CONTROL BOX ACCESSORIE PART COMPONENTS.....	53
ACCESSORIE PART COMPONENTS.....	57
LIST FOR INFORMATION OF CHANGE.....	59
HOW TO MAKE USE OF THIS PARTS LIST.....	60

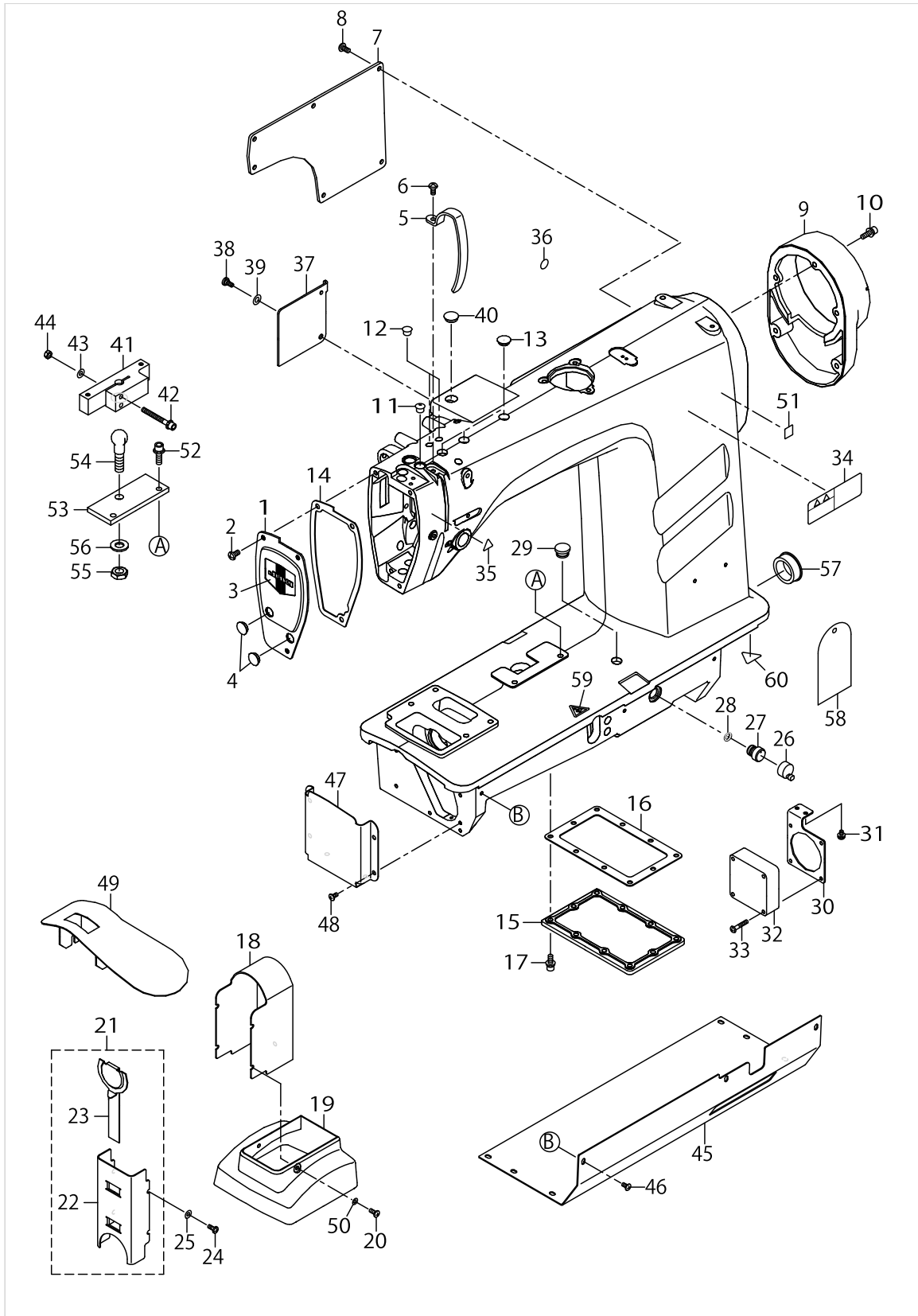
FRAME & MISCELLANEOUS COVER COMPONENTS (1)



FRAME & MISCELLANEOUS COVER COMPONENTS (1)

No.	Supply Code	Parts No.	Replacement	Parts name	Remarks	Choice	Step	Level	Cons	Qty	Rep. QTY
1		40013172		FACE_PLATE						1	
2		SM4051055SP		SCREW						3	
3		22902506		FACE PLATE						1	
4		TA1250406R0		RUBBER PLUG D=12.5 L=4						2	
5		23600505		THREAD TAKE-UP LEVER COVER						1	
6		SM4051055SP		SCREW						1	
7		40013173		SIDE_PLATE						1	
8		SM4051055SP		SCREW						6	
9		40013174		PULLEY_COVER						1	
10		SL6051692TN		BOLT						5	
11		22901409		NEEDLE BAR UPPER BUSH CAP						1	
12		TA0850604R0		RUBBER PLUG						2	
13		TA1250406R0		RUBBER PLUG D=12.5 L=4						3	
14		40056602		FACE PLATE CUSHION						1	
15		40012665		GEAR_COVER						1	
16		40012666		PACKING						1	
17		SL6051492TN		BOLT						10	
18		40012945		HOOK_BELT_COVER						1	
19		40012944		FRAME_COVER						1	
20		SM0040801SC		SCREW						2	
21		40017756		HOOK_COVER_ASM.						1	
22		40012942		HOOK_SHAFT_BASE_COVER				*		1	
23		40012943		HOOK_COVER				*		1	
24		SM5041055SN		SCREW M4X10						2	
25		WP0450826SC		WASHER 4.5X10X0.8						2	
26		23601305		AIR-DISCHARGING CAP						1	
27		23629900		AIR-DISCHARGING						1	
28		RO080150200		RUBBER RING						1	
29		TA1250705R0		RUBBER PLUG						1	
30		40016902		FAN_PLATE						1	
31		SL4040891SC		SCREW M4 L=8						2	
32		40005402		HEAD FAN MOTOR A ASS'Y						1	
33		SM4042501SC		SCREW M4X0.7 L=25						4	
34		CM301300001		SAFETY LABEL						1	
35		CM300200001		ATTENTION SEAL						1	
36	R	10004109	22901805	GROUND MARK						1	1.00
37		40016951		UPPER_FEED_SPRING_ROD_COVER						1	
38		SD0600271SP		HINGE SCREW D= 6 H= 2.7						1	
39		WZ0620550KP		WASHER						1	
40		TA1450404R0		RUBBER PLUG D=14.5 L=4						1	
41		40012948		BALL HOLDER						1	
42		SL6054592TN		SCREW						2	
43		WP0531001SC		WASHER						2	
44		NM6050001SC		NUT M5						2	
45		40012663		UNDER_COVER	ACCESSO- RIE PARTS					1	

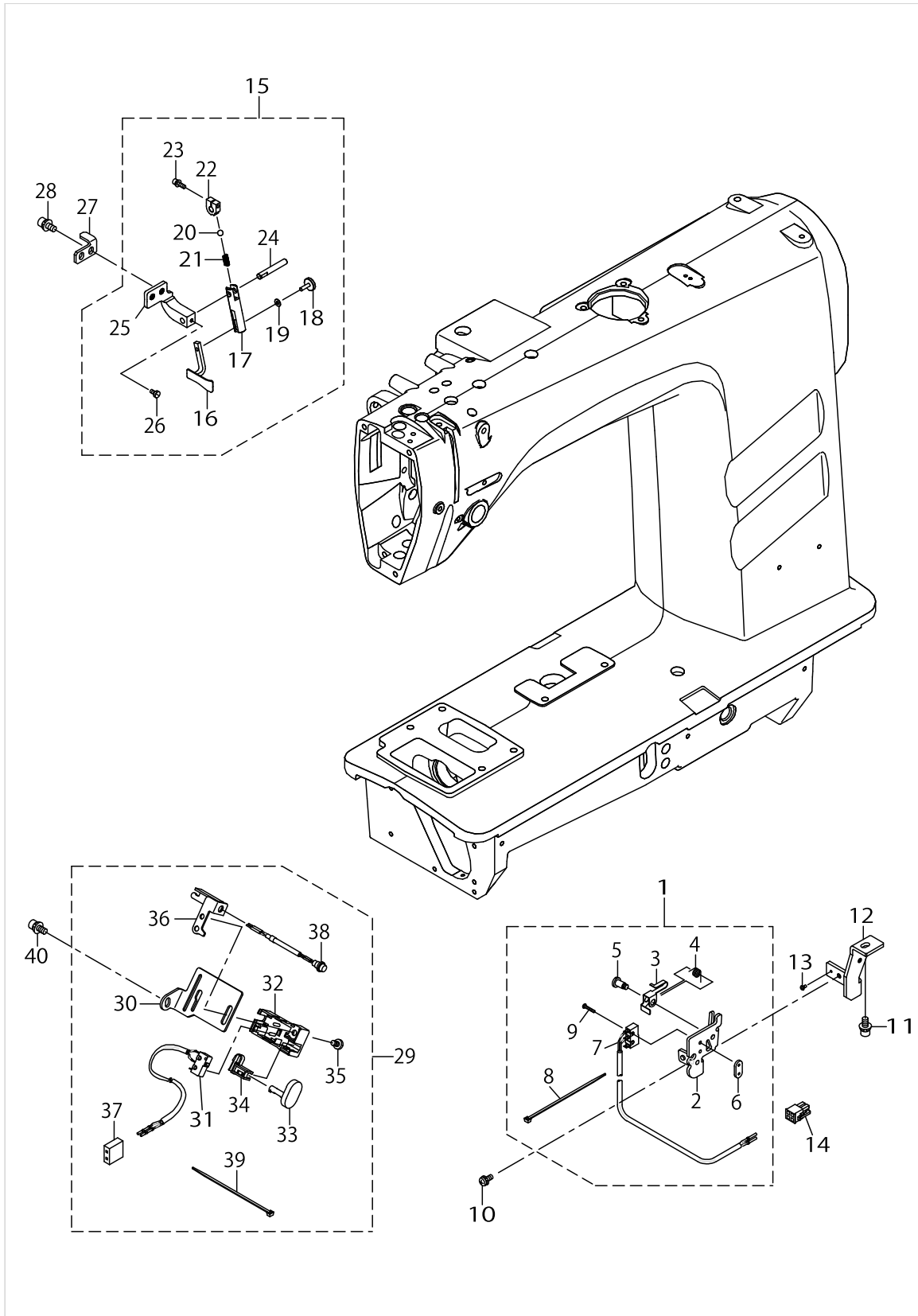
FRAME & MISCELLANEOUS COVER COMPONENTS (1)



FRAME & MISCELLANEOUS COVER COMPONENTS (1)

No.	Supply Code	Parts No.	Replacement	Parts name	Remarks	Choice	Step	Level	Cons	Qty	Rep. QTY
46		SM0040801SC		SCREW	ACCESSO- RIE PARTS					8	
47		40012664		LOWER_FEED_COVER	ACCESSO- RIE PARTS					1	
48		SM0040801SC		SCREW	ACCESSO- RIE PARTS					4	
49		40013198		SUPPORT_PLATE						1	
50		WP0451016SP		WASHER 4.5X20X1						2	
51		CM600100101		WEEE MARK LABEL S						1	
52		SL6062092TN		SCREW M6 L=20						2	
53		40012949		PANEL_INSTALLING_PLATE_BASE						1	
54		40012946		BALL						1	
55		NM6100003SC		NUT M10						1	
56		WP1052001SC		WASHER 10,5X21X2						1	
57		HX00188000E		BUSH						1	
58		23640006		SHEET						1	
59		CM300200003		ATTENTION LABEL						1	
60		CM300300002		LABEL2 (25)						1	

FRAME & MISCELLANEOUS COVER COMPONENTS (2)

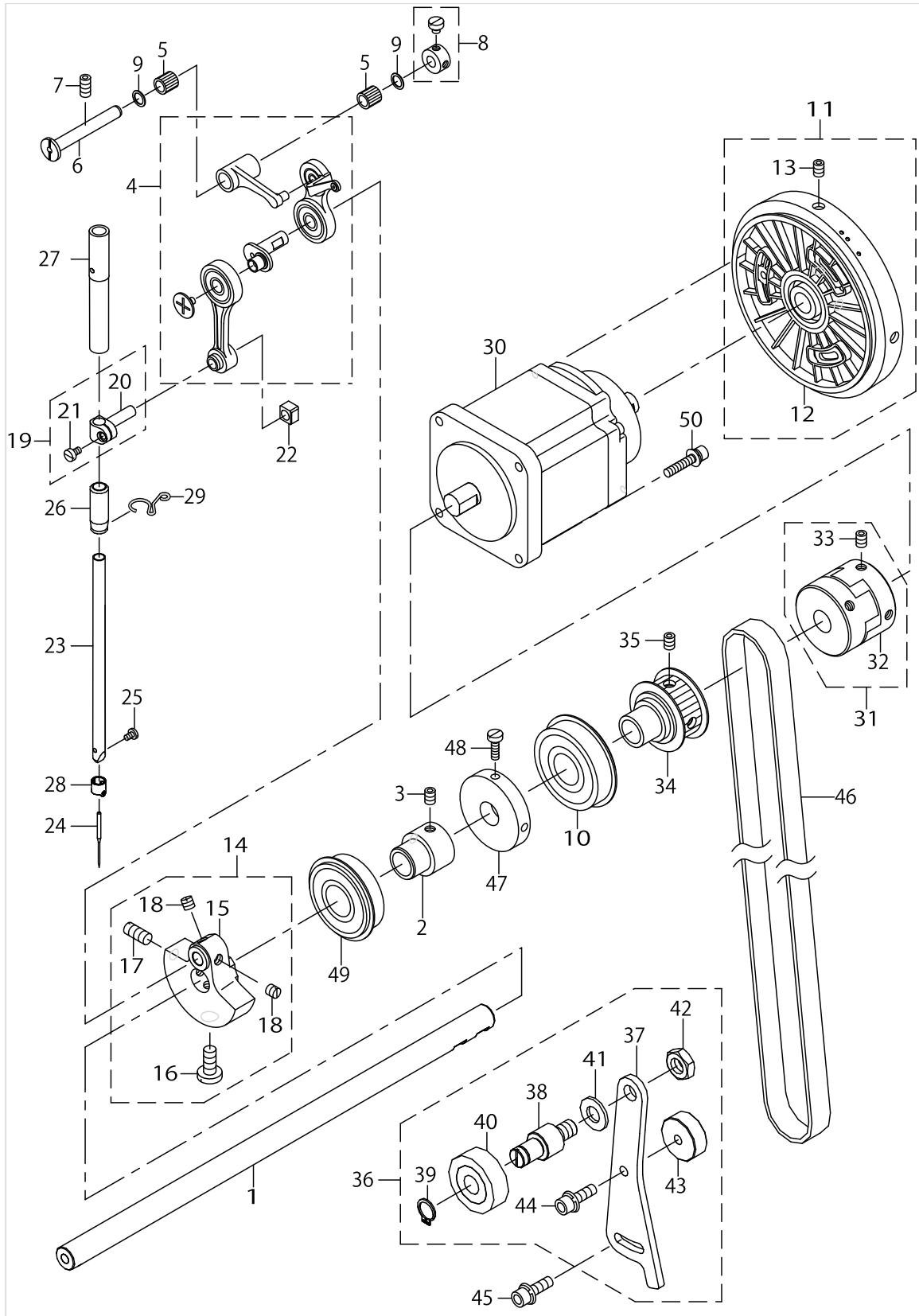


FRAME & MISCELLANEOUS COVER COMPONENTS (2)

No.	Supply Code	Parts No.	Replacement	Parts name	Remarks	Choice	Step	Level	Cons	Qty	Rep. QTY
1		23638059		SAFETY SWITCH ASM.						1	
2	R	23638000	23638059	SAFETY SWITCH BASE				*		1	1.00
3		23638109		SAFETY SWITCH ARM				*		1	
4	R	23638208	23638059	SAFETY SWITCH SPRING				*		1	1.00
5		23638307		SAFETY SWITCH ARM SHAFT				*		1	
6	R	23638406	23638059	SAFETY SWITCH NUT				*		1	1.00
7		23638554		SAFETY SWITCH CORD ASM.				*		1	
8		EA9500B0100		CABLE BAND				*		1	
9		SM4021201SC		SCREW M2 L=12				*		2	
10		SL4041091SC		SCREW M4 L=10						1	
11		SL6051292TN		BOLT						1	
12		40018058		SAFETY_SWITCH_PLATE						1	
13		SM4020401SC		SCREW M2 L=4						1	
14		HK034610040		HOUSING						1	
15		40016940		STITCH_GUIDE_ASM.						1	
16	R	40016933	40016940	STITCH_GUIDE				*		1	1.00
17		40016934		STITCH_GUIDE_ARM				*		1	
18		40016935		KNOB				*		1	
19		WP0320501SC		WASHER M3				*		1	
20		40016936		BALL				*		1	
21		40016937		BALL_SPRING				*		1	
22		40016938		STITCH_GUIDE_BRACKET				*		1	
23		SL6031242TN		SCREW				*		1	
24		40016939		STITCH_GUIDE_SHAFT				*		1	
25		40012667		STITCH_GUIDE_BASE				*		1	
26	D	SM9030650SN		SCREW				*		1	
27		40021363		STOPPER_PLATE						1	
28		SL6051492TN		BOLT						2	
29		40014098		OPTION_SWITCH_ASSY						1	
30		40013175		SWITCH_BASE				*		1	
31	R	40018458	40014098	SW_CABLE_ASSY		A	DP2100	*		1	1.00
31	R	40018458	40088207	SW_CABLE_ASSY		B	AE200	*		1	1.00
32		23631708		REVERSE FEED SWITCH COVER				*		1	
33		23631807		REVERSE FEED SWITCH SHAFT				*		1	
34		23631906		REVERSE FEED SWITCH SUPPORT				*		1	
35		SS7110740TP		SCREW 11/64-40 L=7				*		1	
36	R	23540909	23540859	MANUAL SWITCH BASE GUIDE				*		1	1.00
37		HK016590060		HOUSING				*		1	
38		40041232		SWLEDCABLEAASSY				*		1	
39		EA9500B0100		CABLE BAND				*		2	
40		SL6051292TN		BOLT						1	



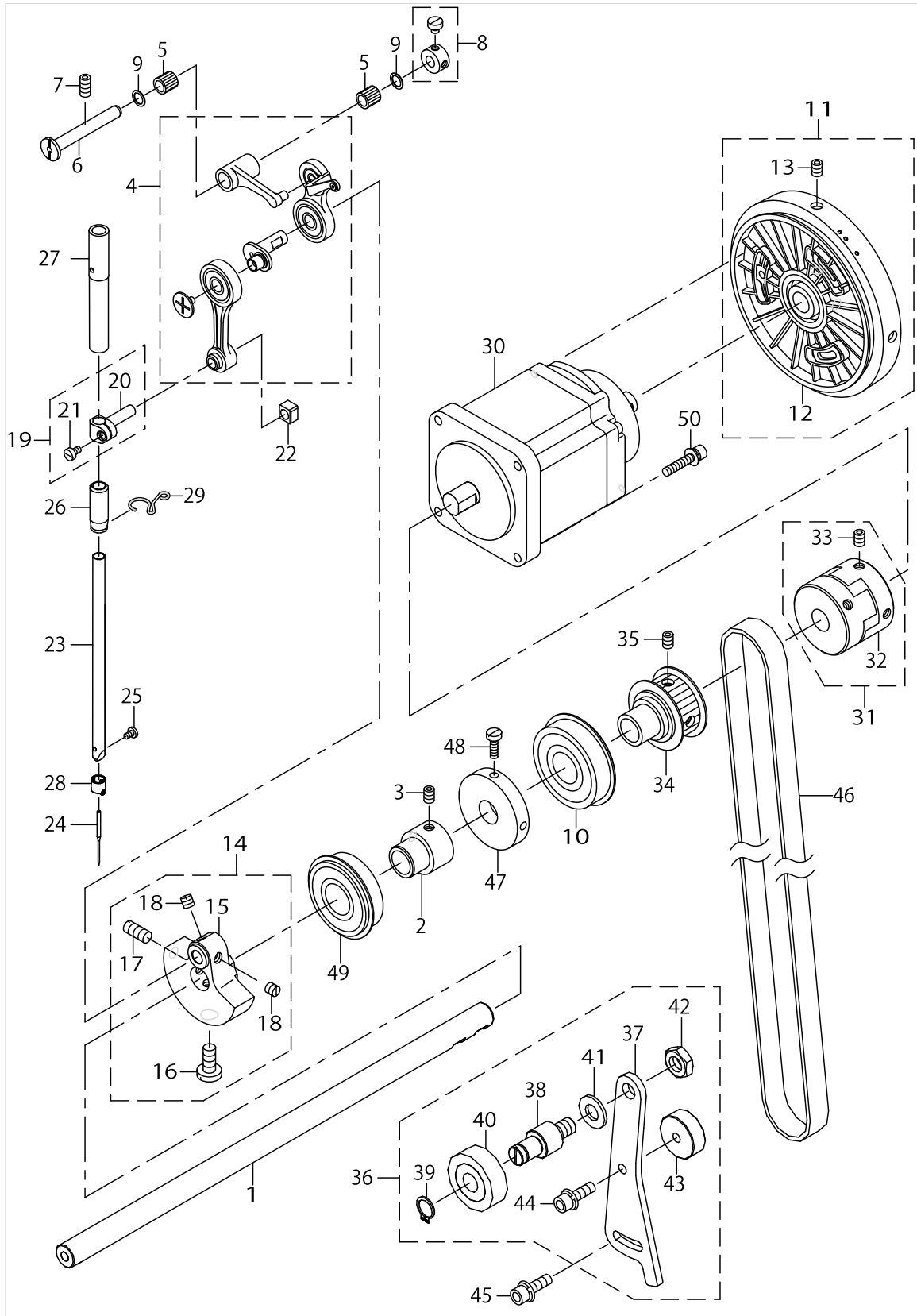
MAIN SHAFT & NEEDLE BAR COMPONENTS



MAIN SHAFT & NEEDLE BAR COMPONENTS

No.	Supply Code	Parts No.	Replacement	Parts name	Remarks	Choice	Step	Level	Cons	Qty	Rep. QTY
1		40012035		UPPER_SHAFT						1	
2		23604200		MAIN SHAFT BEARING SUPPORT						1	
3		SM8060812TP		SCREW M6 L=8						2	
4		23622061		THREAD TAKE-UP ASM.						1	
5		SB307000200		BEARING						2	
6		23622400		THREAD TAKE-UP CRANK SHAFT						1	
7		SM8061212TP		SCREW M6X12						1	
8		40010434		THRUST_COLLAR_ASM.						1	
9		22891204		BEARING SUPPORT						2	
10		SB120000800		BEARING						1	
11		40044906		HAND WHEEL ASM.						1	
12	R	23604408	40044906	HAND WHEEL				*		1	1.00
13		SM8060812TP		SCREW M6 L=8				*		2	
14		23604168		COUNTER WEIGHT ASM.						1	
15	R	23604119	23604168	COUNTER WEIGHT				*		1	1.00
16		SS7681650TP		SCREW 9/32-28 L=16				*		1	
17		SS8681650TP		SCREW 9/32-28 L=16				*		1	
18		SS8660610TP		SCREW 1/4-40 L=6				*		2	
19		22906457		NEEDLE BAR HOLDER ASM.						1	
20	R	22906408	22906457	NEEDLERODHOLDER				*		1	1.00
21		SS6090670TP		SCREW 9/64-40 L=6				*		1	
22		B1414555000		SLIDE BLOCK						1	
23		11141207		NEEDLE BAR						1	
24		MDP170B1100		NEEDLE DPX17 #11					☆	1	
25		SS7080510TP		SCREW 1/8-44 L=4.5						1	
26		22886808		NEEDLE BAR BUSHING,LOWER						1	
27		23608003		NEEDLE BAR METAL,UPPER						1	
28		22906309		NEEDLE BAR THREAD GUIDE						1	
29		23626203		NEEDLE BAR THREAD GUIDE						1	
30		KM000000470		AC SERVO MOTOR						1	
31		40051473		COUPLING ASM.						1	
32		40051474		COUPLING				*		1	
33		SM80608A2TP		SCREW M6 L=8				*		4	
34		40039946		SPROCKET ASM.						1	
35		SM8060812TP		SCREW M6 L=8						2	
36		40017757		IDLER_ASM						1	
37		40012669		IDLER_INSTALLING_PLATE				*		1	
38		40012671		IDLER_SHAFT				*		1	
39		RC1200001KP		C-SHAPED SNAP RING				*		1	
40	D	SB112001500		BEARING				*		1	
41		WP1052001SC		WASHER 10,5X21X2				*		1	
42		NM6100003SC		NUT M10				*		1	
43		40017589		TENSION_PLATE_BASE				*		1	
44		SL6062092TN		SCREW M6 L=20				*		1	
45		SL6062092TN		SCREW M6 L=20						1	
46		40017591		TIMING_BELT						1	

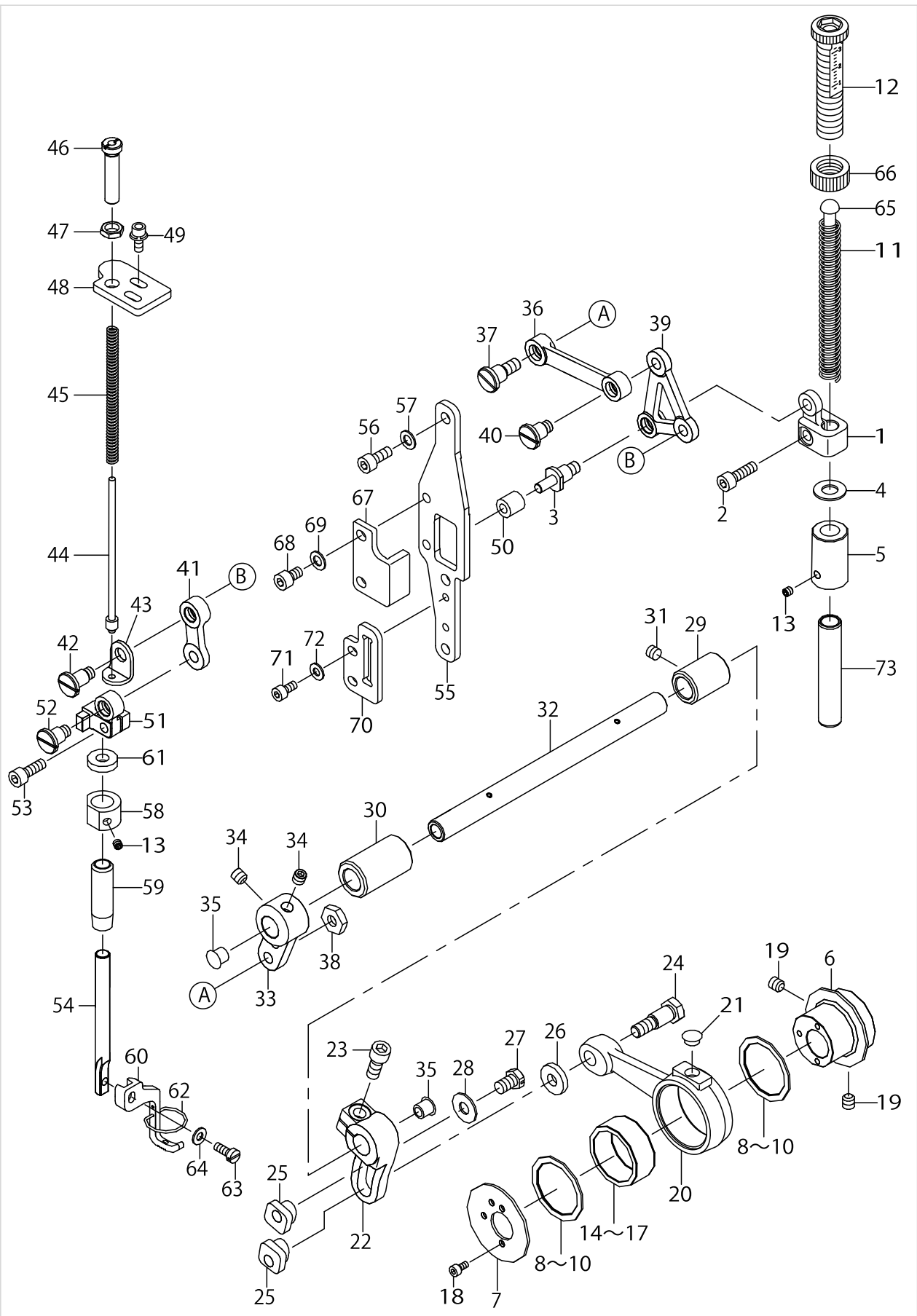
MAIN SHAFT & NEEDLE BAR COMPONENTS



MAIN SHAFT & NEEDLE BAR COMPONENTS

No.	Supply Code	Parts No.	Replacement	Parts name	Remarks	Choice	Step	Level	Cons	Qty	Rep. QTY
47		23636400		BOBBIN WINDER DRIVING WHEEL						1	
48		SS8110422TP		SCREW 11/64-40 L=4						2	
49		SB120000900		BEARING						1	
50		SL6052592TN		BOLT						4	

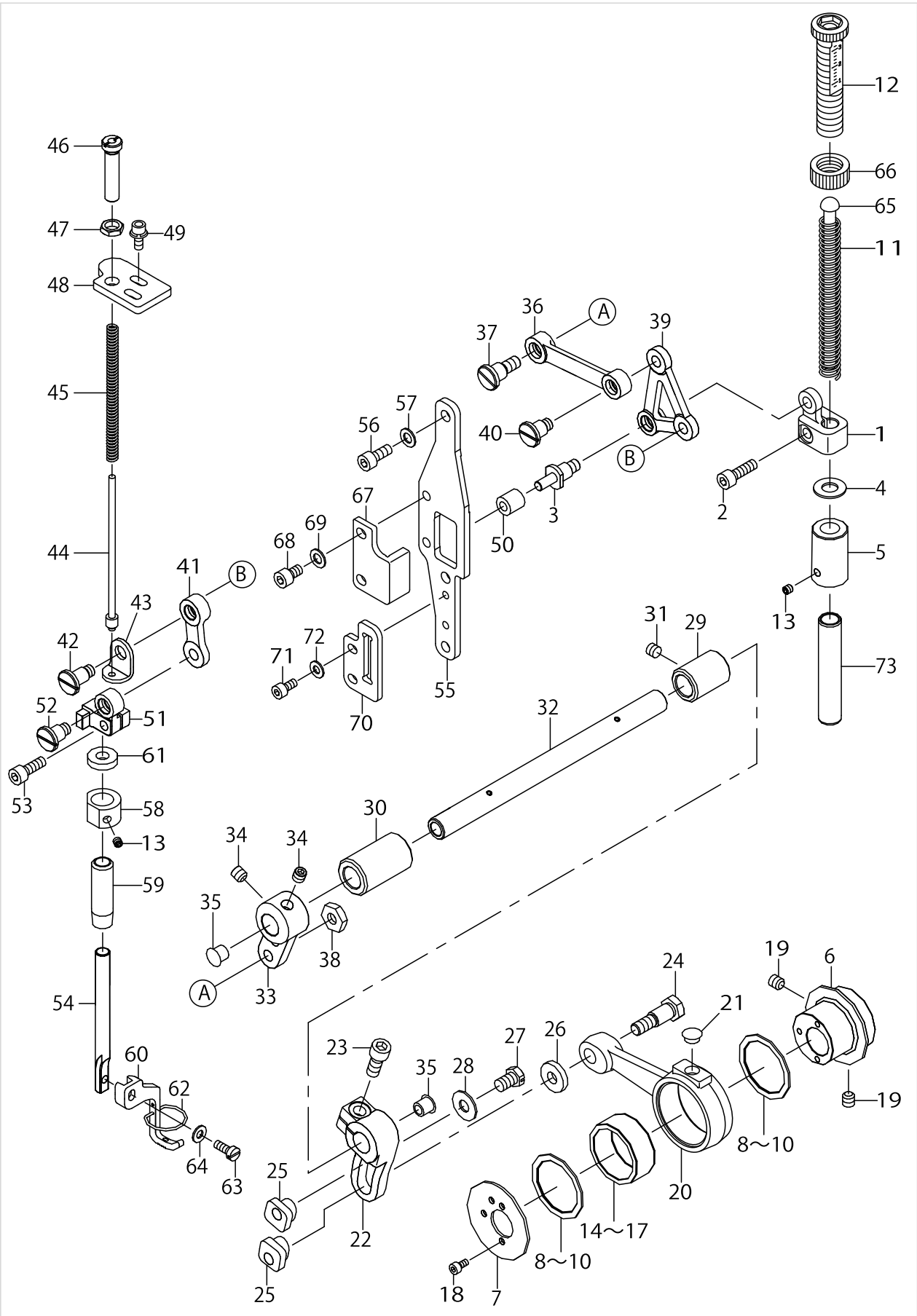
PRESSER COMPONENTS



PRESSER COMPONENTS

No.	Supply Code	Parts No.	Replacement	Parts name	Remarks	Choice	Step	Level	Cons	Qty	Rep. QTY
1		40012853		PRESSURE_BAR_HOLDER						1	
2		SM6051602TP		SCREW M5X0.8 L=16						1	
3		40012861		SHOLDER_SCREW						1	
4		B1116804000		CLOTH PLATE WASHER						1	
5	D	40012967		FEED_FOOT_STOPPER						1	
6		40012963		FEED_DRIVE_ECCENTRIC_CAM						1	
7		40012964		BEARING_PLATE						1	
8		40012965		BEARING_SUPPORT_PLATE	SELECTIVE PARTS					2	
9		40017794		BEARING_SUPPORT_PLATE_B	SELECTIVE PARTS					2	
10		40017795		BEARING_SUPPORT_PLATE_C	SELECTIVE PARTS					2	
11		22907406		PRESSER SPRING						1	
12		23609209		PRESSER SPRING REGULATOR						1	
13		SM8040412TP		SET SCREW M4 L=4						2	
14		B1636581A00		NEEDLE BEARING	SELECTIVE PARTS					1	
15		B1636581B00		NEEDLE BEARING B	SELECTIVE PARTS					1	
16		B1636581C00		NEEDLE BEARING	SELECTIVE PARTS					1	
17		B1636581D00		NEEDLE BEARING	SELECTIVE PARTS					1	
18		SM6030602TP		SCREW M3X0.5 L=6						3	
19		SM8060612TP		SCREW M6 L=6						2	
20		40012962		CRANK_CONNECTING_ROD						1	
21		TA0750404R0		PLUG D=7.5 L=3.5						1	
22		40017593		UPPER_FEED_SPRING_ROD						1	
23		SS6151412TP		SCREW15/64-28L=14						1	
24		B3008141H00		HINGE SCREW						1	
25		B3009141H0A		NUT						2	
26		B3010141H00		WASHER						1	
27		SS9661120CP		SCREW 1/4-40L=10.5						1	
28		WP0641601SC		WASHER						1	
29		40012862		BUSHING_A						1	
30		40012863		BUSHING_B						1	
31		SM8060602TP		SCREW M6X6						1	
32		40012840		FEED_DRIVING_SHAFT						1	
33		40012842		DRIVING_SHAFT_HOLDER						1	
34		SM8060612TP		SCREW M6 L=6						2	
35		TA0750704R0		RUBBER PLUG						2	
36		40017594		CONNECTING_LINK						1	
37		SD0850756TH		SHOULDER SCREW						1	
38		NM6060001SD		NUT M6						1	
39		40017596		L_SHAPED_LINK						1	
40		SD0800756TH		SHOULDER SCREW						1	
41		40017598		CONNECTING_PLATE						1	
42	D	SD0750946TH		SHOULDER SCREW						1	
43		B3035141H00		RETAINING PLATE						1	
44		B3034141H00		SPRING POLE						1	
45		B3033141H00		SPRING						1	
46		B3036141H00		ADJUSTING THUMB SCREW						1	

PRESSER COMPONENTS

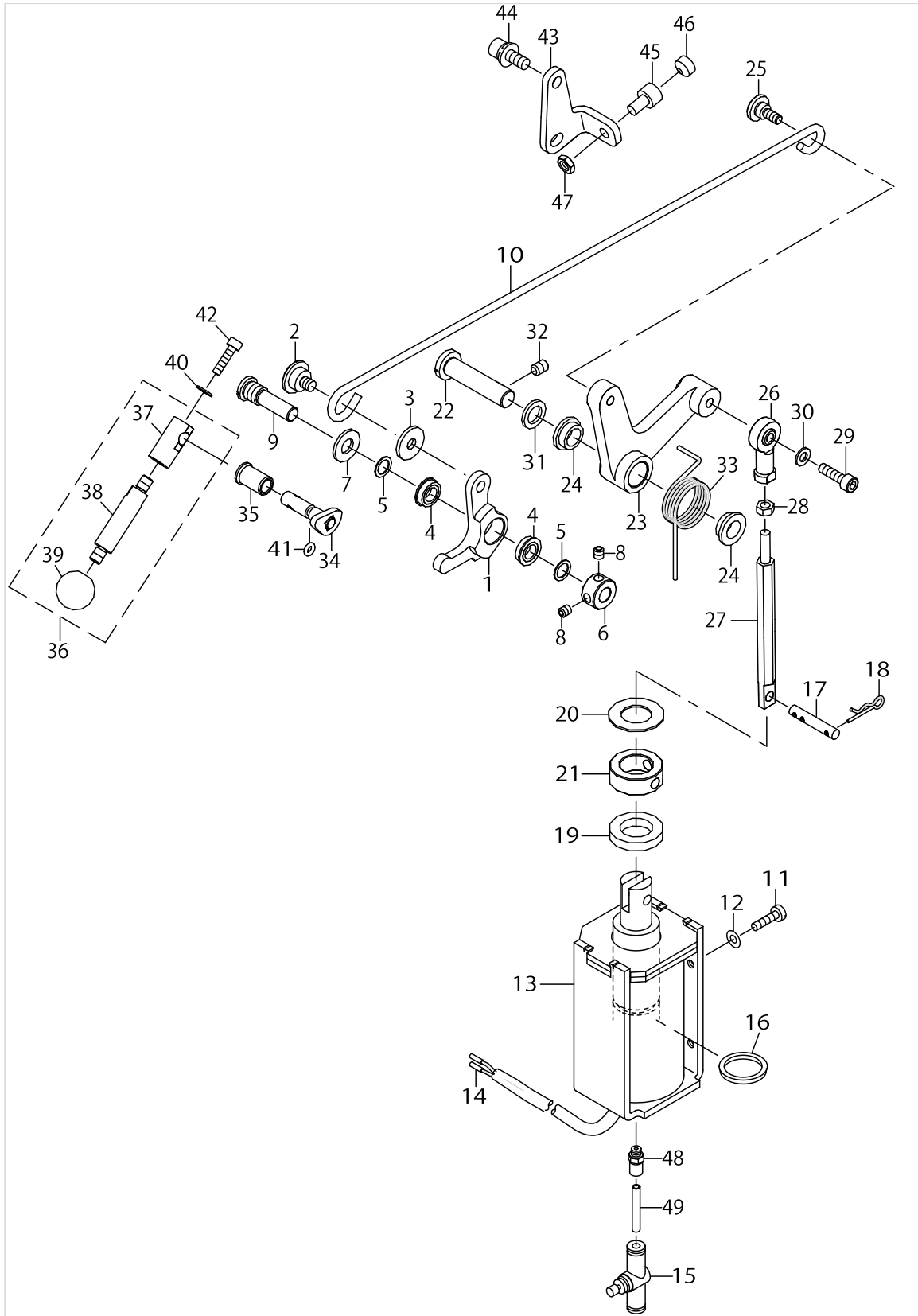


PRESSER COMPONENTS

No.	Supply Code	Parts No.	Replacement	Parts name	Remarks	Choice	Step	Level	Cons	Qty	Rep. QTY
47		NS6680320SP		NUT 9/32-28						1	
48		40012855		SPRING_BASE						1	
49		SL6041092TN		SCREW						2	
50		SB305000100		BEARING						1	
51		40012865		PRESSURE_FOOT_SHAFT HOLDER						1	
52		SD0800756TH		SHOULDER SCREW						1	
53		SM6051402TP		SCREW M5X0.8 L=14						1	
54		40012966		PRESSURE_FOOT_SHAFT						1	
55		40012854		GUIDE_BASE_PLATE						1	
56		SM6051202TP		SCREW M5X0.8 L=12						2	
57		WP0550800SP		WASHER 5.5X10X0.8						2	
58		40012864		PRESSURE_FOOT_STOPPER						1	
59		23608706		NEEDLE BAR LOWER METAL D						1	
60		40017600		PRESSURE_FOOT						1	
61		11043304		SOLENOID RUBBER						1	
62		40017601		FINGER_GUARD						1	
63		SM6041000SP		SCREW M4 L=10						1	
64		WP0430801SC		WASHER 4.3X9X0.8						1	
65		23610306		PRESSER GUIDE BAR						1	
66	R	22907604	22907554	PRESSER SPRING REGULATOR NUT						1	1.00
67		40012867		ROLLER_GUIDE						1	
68		SM6050802TP		SCREW M5X0.8 L=8						2	
69		WP0550800SP		WASHER 5.5X10X0.8						2	
70	D	40017602		GUIDE_PLATE						1	
71		SM6040802TP		SCREW M4X0.7 L=8						2	
72		WP0430801SC		WASHER 4.3X9X0.8						2	
73		23609001		BUSHING						1	



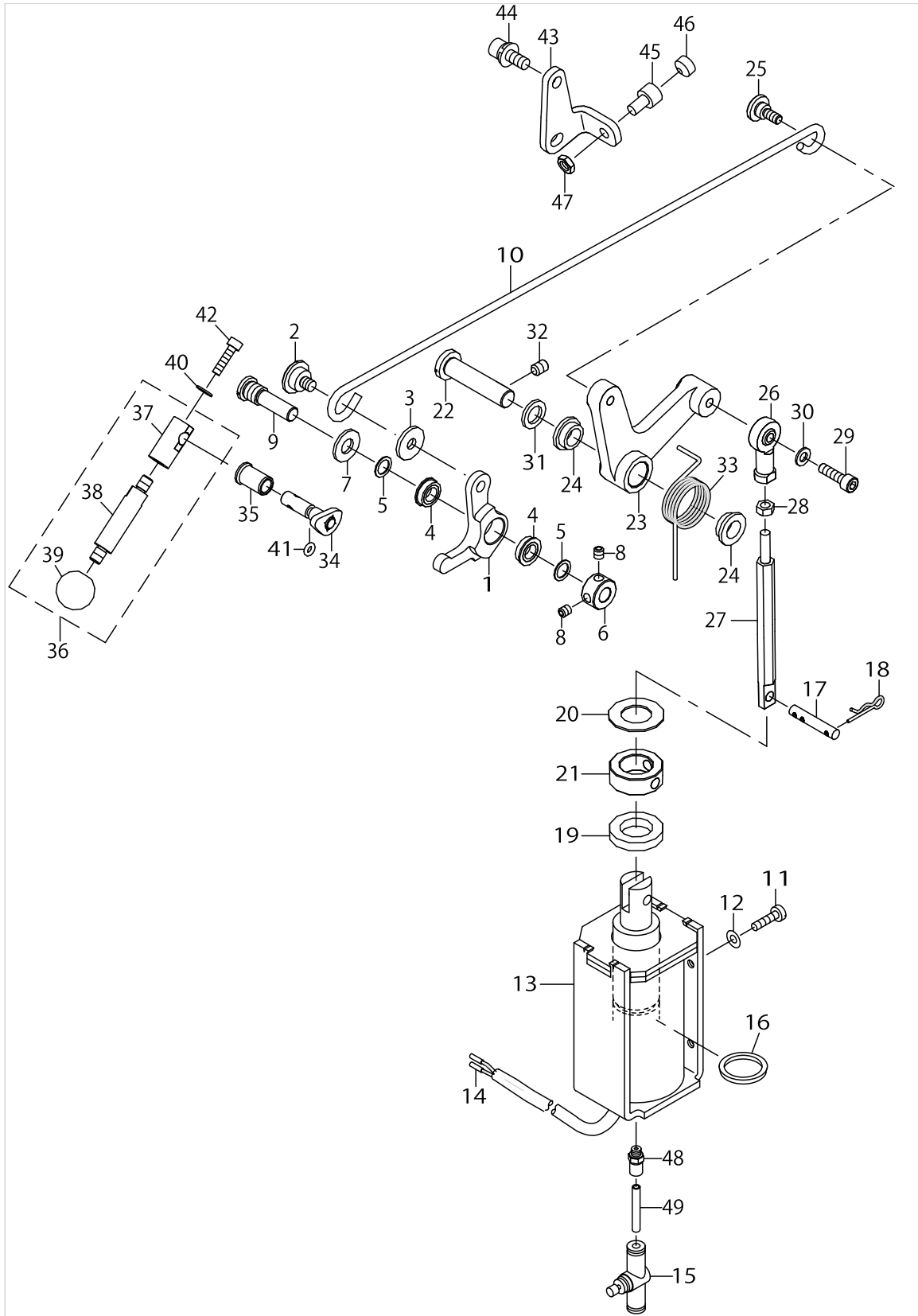
# PRESSER LIFTER COMPONENTS



PRESSER LIFTER COMPONENTS

No.	Supply Code	Parts No.	Replacement	Parts name	Remarks	Choice	Step	Level	Cons	Qty	Rep. QTY
1		40012920		PRESSURE_LINK						1	
2		40012919		PRESSURE_LINK_PIN						1	
3		WP0612056SD		WASHER 6.1X18.5X2						1	
4		SB108000700		BEARING						2	
5		WP0820516SP		WASHER 11.6X8.2X0.6						2	
6		CS0800971TP		THRUST COLLAR D=8 W=9						1	
7		WP0850002SP		WASHER 8.5X18X1.6						1	
8		SM8050502TP		SCREW M5 L=5						2	
9		40017603		LINK_PIN_B						1	
10		40012918		LIFTER_LINK_SHAFT						1	
11		SS6111610SP		SCREW 11/64-40L=16						4	
12		WP0482086SD		WASHER 4.8X11.5X2						4	
13		40017823		SOLENOID						1	
14		HK034610020		2-POLE NYLON PLUG						1	
15		PC022404000		THROTTLE VALVE						1	
16		B1652210D00		GASKET						1	
17		B1513210D00		MAGNET PIN						1	
18		B1515210D00		PIN						2	
19		D2468555B00		RUBBER PLUNGER						1	
20		G5523880000		THRUST WASHER B						1	
21		CS1701011SZ		THRUST COLLAR D=17 W=10						1	
22		40012916		AK_LINK_PIN						1	
23		40012915		AK_LINK						1	
24		32009805		CONNECTING PLATE METAL						2	
25		SD0800426TP		SHOULDER SCREW						1	
26		G6505880000		ROD END B						1	
27		40012917		LINK_BALL_SHAFT						1	
28		NM6050001SC		NUT M5						1	
29		SM6051802TP		SCREW M5 L=18						1	
30		WP0531001SC		WASHER						1	
31		10112704		THRUST WASHER 1.8						1	
32		SM8060812TP		SCREW M6 L=8						1	
33		40012682		SPRING						1	
34		40012677		HAND LIFTER CAM COMPL.						1	
35		10013019		NEEDLE BAR BUSHING, UPPER D=7.						1	
36		40017759		PRESSURE_FOOT_LEVER_ASM.						1	
37		40017604		HAND_LIFTER_SHAFT_BASE				*		1	
38		40017605		HAND_LIFTER_SHAFT				*		1	
39	R	40017606	40017759	BALL_KNOB				*		1	1.00
40		WP0430801SC		WASHER 4.3X9X0.8						1	
41		RO037180100		RUBBER RING						1	
42		SM6041602TP		SCREW M4X0.7 L=16						1	
43		40012673		STOPPER_PLATE						1	
44		SL6061692TN		BOLT						2	
45	R	B1453761000	40009095	SWINGARMSTOPPER						1	1.00
46		B1432761000		SWING ARM STOPPER RUBBER						1	

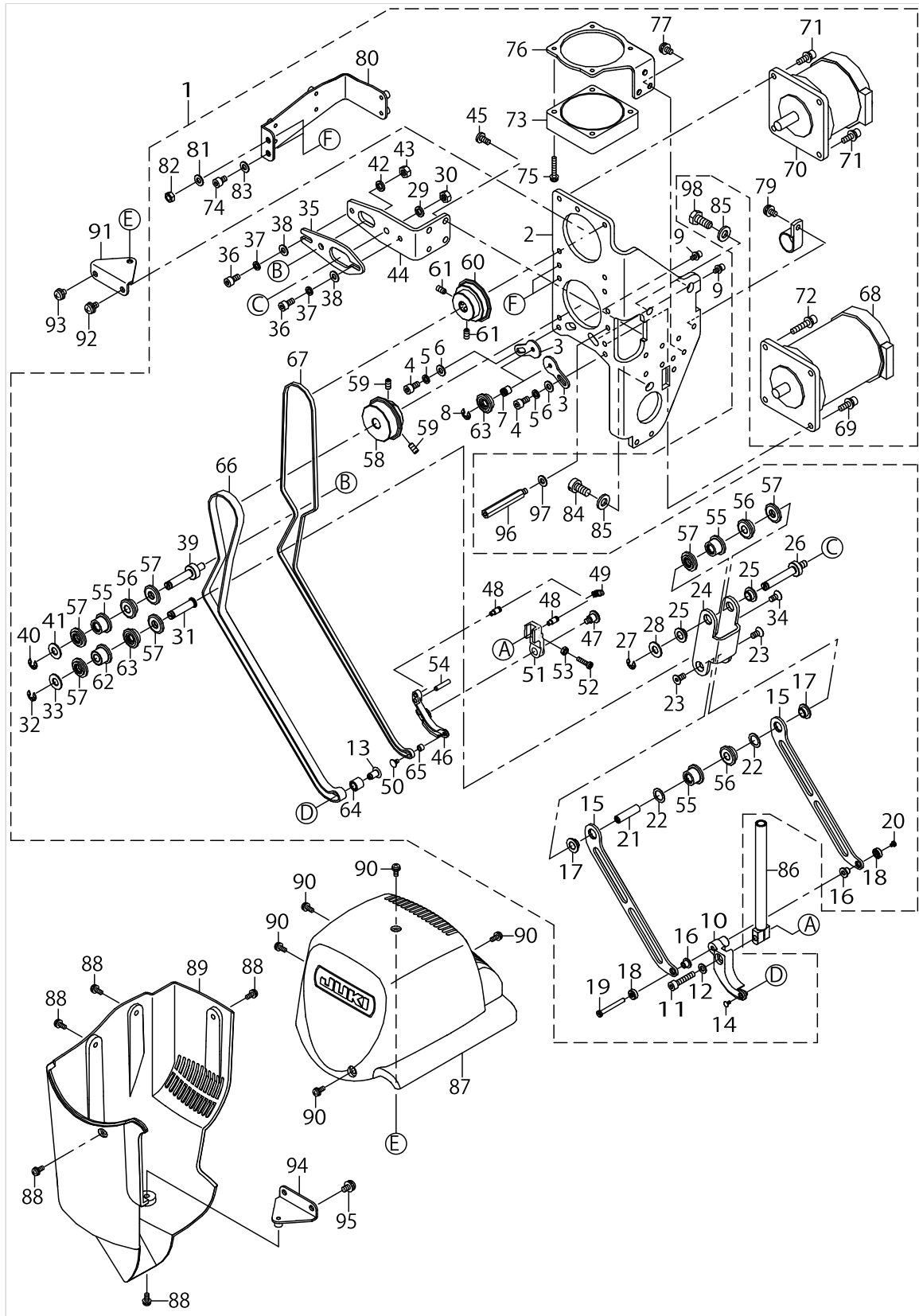
PRESSER LIFTER COMPONENTS



PRESSER LIFTER COMPONENTS

No.	Supply Code	Parts No.	Replacement	Parts name	Remarks	Choice	Step	Level	Cons	Qty	Rep. QTY
47		NS6150430SP		NUT 15/64-28						1	
48		PJ032052503		HOSE NIPPLE						1	
49		BT0400251AB		TUBE HOSE						.03	

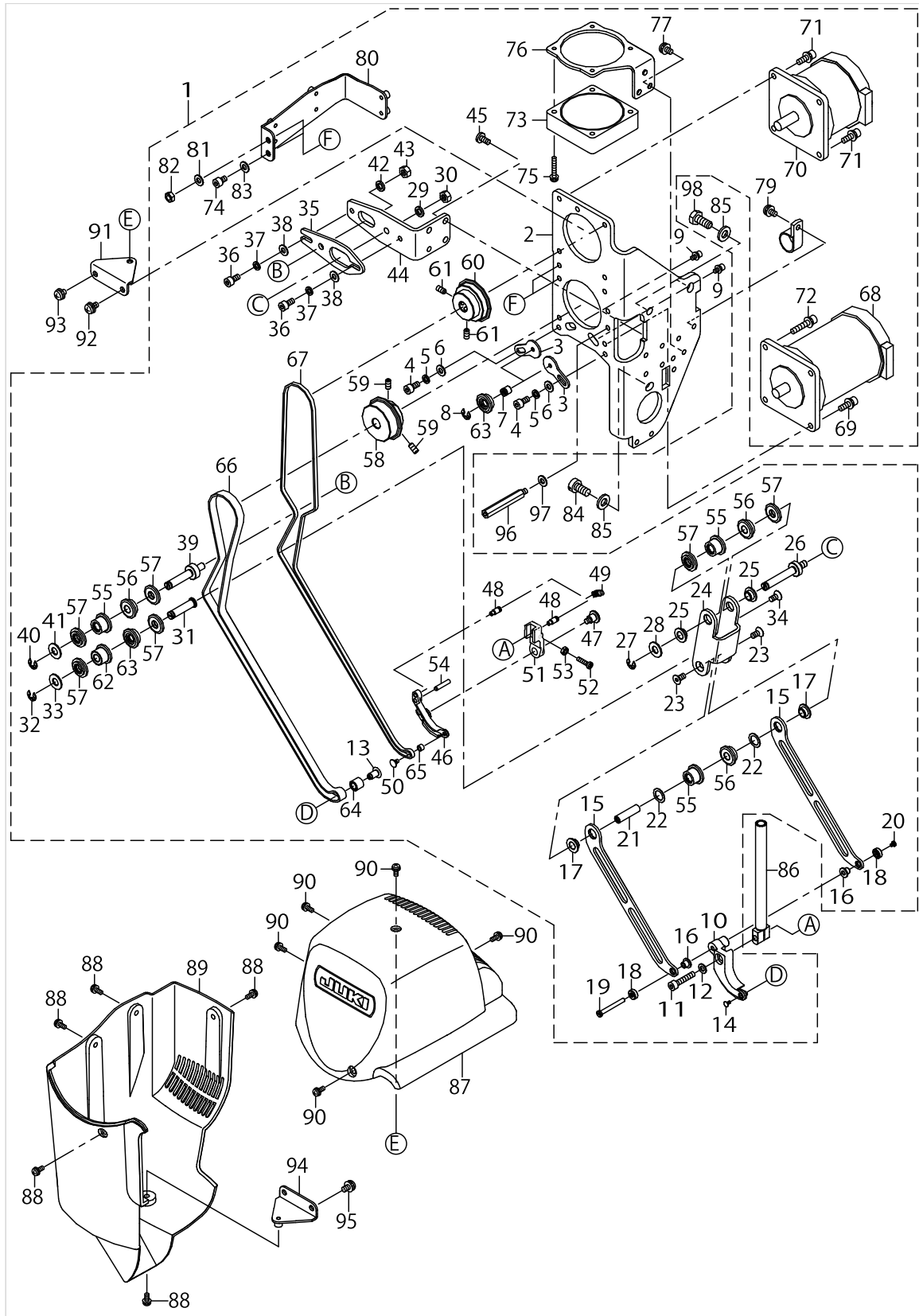
# UPPER FEED MECHANISM COMPONENTS



UPPER FEED MECHANISM COMPONENTS

No.	Supply Code	Parts No.	Replacement	Parts name	Remarks	Choice	Step	Level	Cons	Qty	Rep. QTY
1		40017760		UPPER_FEED_BASE_ASM.						1	
2		40016871		UPPER_FEED_BASE				*		1	
3		40016872		TENSION_ADJUSTING_PLATE_S				*		2	
4		SM6040802TN		SCREW				*		2	
5		WS0410002KN		SPRING WASHER				*		2	
6		WP0430801SC		WASHER 4.3X9X0.8				*		2	
7		40016873		TENSION_PULLEY_SHAFT_S				*		2	
8		RE0400000KP		E-RING 4				*		2	
9		SL6030642TN		SCREW M3 L=6				*		2	
10		40016874		FEED_FOOT				*		1	
11		SM6042002TN		BOLT				*		1	
12		WP0430800SC		WASHER M4				*		1	
13		40016875		FEED_FOOT_PULLEY_SHAFT				*		1	
14		SM0020401SC		SCREW M2 L=4				*		1	
15		40016876		CONECTING_LINK				*		2	
16		40016877		CONECTING_LINK_BUSH_S				*		2	
17		40016878		CONECTING_LINK_BUSH_L				*		2	
18		40016879		CONECTING_LINK_SPACER				*		2	
19		40016880		CONECTING_LINK_SHAFT_S				*		1	
20		SM6020350SP		SCREW M2 L=2.5				*		1	
21		40016881		CONECTING_LINK_SHAFT_L				*		1	
22		E2613700000		WASHER				*		2	
23		SM1040852TP		DISH SCREW				*		2	
24		40016882		ROCKER_ARM				*		1	
25		40016878		CONECTING_LINK_BUSH_L				*		2	
26	D	40016883		ROCKER_ARM_SHAFT_L				*		1	
27		RE0400000KP		E-RING 4				*		1	
28		WP0621016SD		WASHER 6.2X13X1				*		1	
29		WS0510002KN		SPRING WASHER				*		1	
30		NM6050001SC		NUT M5				*		1	
31		40016884		ROCKER_ARM_SHAFT_S				*		1	
32		RE0400000KP		E-RING 4				*	☆	1	
33		WP0621016SD		WASHER 6.2X13X1				*		1	
34		SM1040852TP		DISH SCREW				*		1	
35		40016885		TENSION_ADJUSTING_PLATE_L				*		1	
36		SM6040802TN		SCREW				*		2	
37		WS0410002KN		SPRING WASHER				*		2	
38		WP0430801SC		WASHER 4.3X9X0.8				*		2	
39		40016886		TENSION_PULLEY_SHAFT_L				*		1	
40		RE0400000KP		E-RING 4				*		1	
41		WP0621016SD		WASHER 6.2X13X1				*		1	
42		WS0510002KN		SPRING WASHER				*		1	
43		NM6050001SC		NUT M5				*		1	
44		40016887		ROCKER_ARM_BASE				*		1	
45		SM5040855SN		SCREW				*		4	
46		40016888		SUB_FEED_FOOT				*		1	

# UPPER FEED MECHANISM COMPONENTS

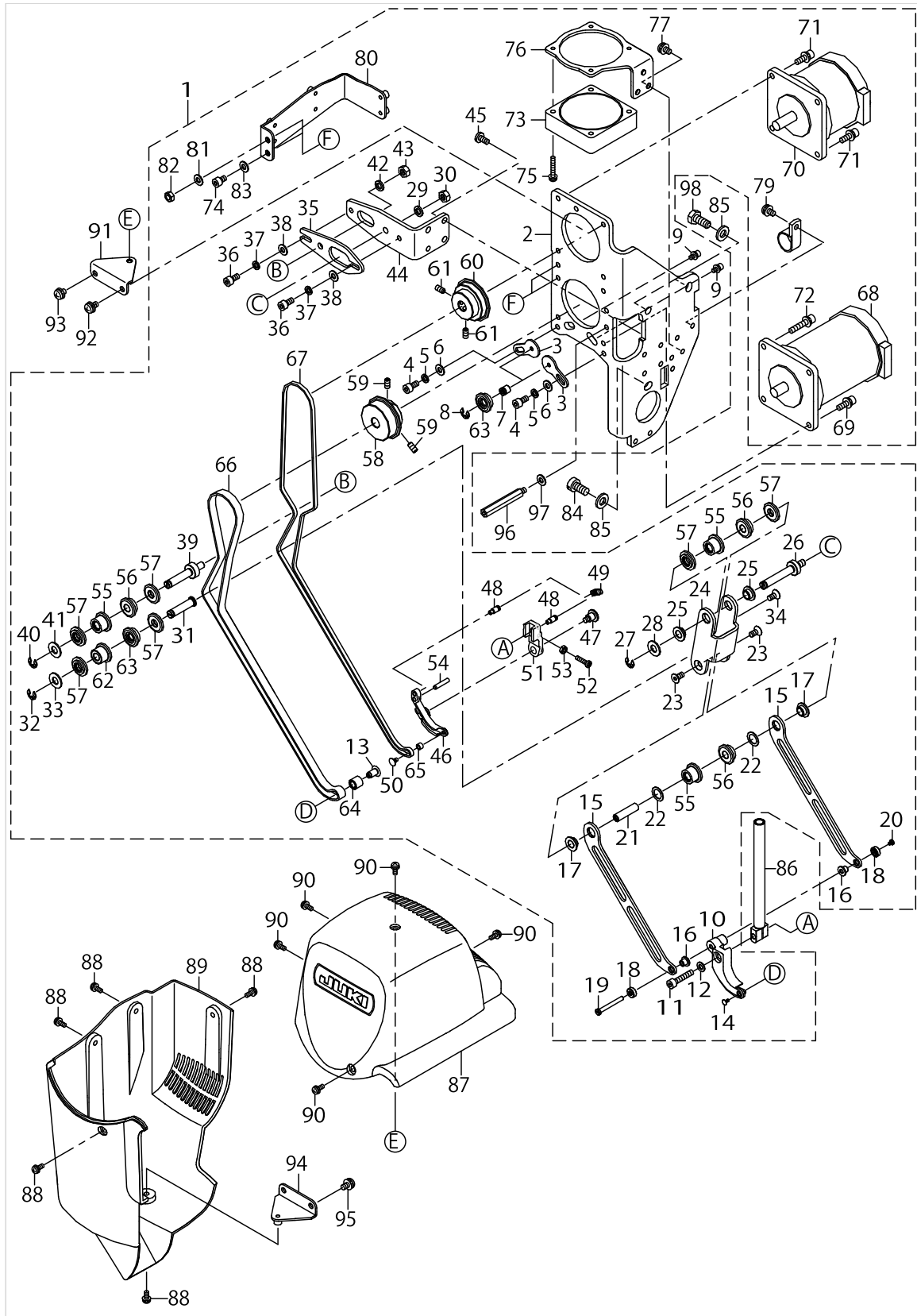


UPPER FEED MECHANISM COMPONENTS

No.	Supply Code	Parts No.	Replacement	Parts name	Remarks	Choice	Step	Level	Cons	Qty	Rep. QTY
47		40017831		SUB_FEED_FOOT_S-HOULDER_SCREW				*		1	
48		40017832		SUB_FEED_FOOT_SPRING_HOOK				*		2	
49		B3417180000		SPRING				*		1	
50		40035301		SUB_FEED_FOOT_PULLEY_SHAFT				*		1	
51		40016890		SUB_FEED_BRACKET				*		1	
52		SM4031201SN		SCREW M3 X 12				*		1	
53		NM6030002SN		NUT M3X0.5				*		1	
54		40065512		PIN				*		1	
55		40016891		IDLER_PULLEY_F7				*		3	
56		40016892		IDLER_PULLEY_F3				*		3	
57		40016893		FLANGE_3				*		6	
58		40016894		DRIVING_PULLEY_P50_F9				*		1	
59		SM8040802TP		SCREW M4X8				*		2	
60		40016895		DRIVING_PULLEY_P50_F5				*		1	
61		SM8040802TP		SCREW M4X8				*		2	
62		40016896		IDLER_PULLEY_P20_F7				*		1	
63		40016897		IDLER_PULLEY_P20_F3				*		3	
64		40016898		FEED_FOOT_PULLEY				*		1	
65		40036120		SUB_FEED_FOOT_PULLEY				*		1	
66		40016900		TIMING_BELT_6.7				*	☆	1	
67		40016901		TIMING_BELT_2.7				*	☆	1	
68		KM000000350		PULSE MOTOR				*		1	
69		SL6041292TN		SCREW				*		3	
70		HM001940000		STEPPING MOTOR				*		1	
71		SL6041292TN		SCREW				*		3	
72		SL6042092TN		SCREW M4 L=20				*		1	
73		40019398		HEAD FAN MOTOR B ASSY				*		1	
74		SM6040602TP		SCREW M4 L=6				*		1	
75		SL4032081SC		SCREW M3 L=20				*		4	
76		40019593		FAN PLATE				*		1	
77		SL4040891SC		SCREW M4 L=8				*		2	
78		HX00150000H		CABLE CLIP				*		1	
79		SL4040891SC		SCREW M4 L=8				*		1	
80	D	40016905		COVER_PLATE_A				*		1	
81		WP0430801SC		WASHER 4.3X9X0.8				*		1	
82		NM6040001SC		NUT M4				*		1	
83		WP0430801SC		WASHER 4.3X9X0.8				*		1	
84		SM6061200SP		SCREW				*		1	
85		WP0641601SC		WASHER				*		3	
86		40016713		FEED_FOOT_BAR				*		1	
87		40016903		COVER_A				*		1	
88		SL4030891SC		SCREW M3X8				*		5	
89		40016904		COVER_B				*		1	
90		SL4030891SC		SCREW M3X8				*		5	
91		40016906		COVER_PLATE_B				*		1	
92		SL4040891SC		SCREW M4 L=8				*		1	



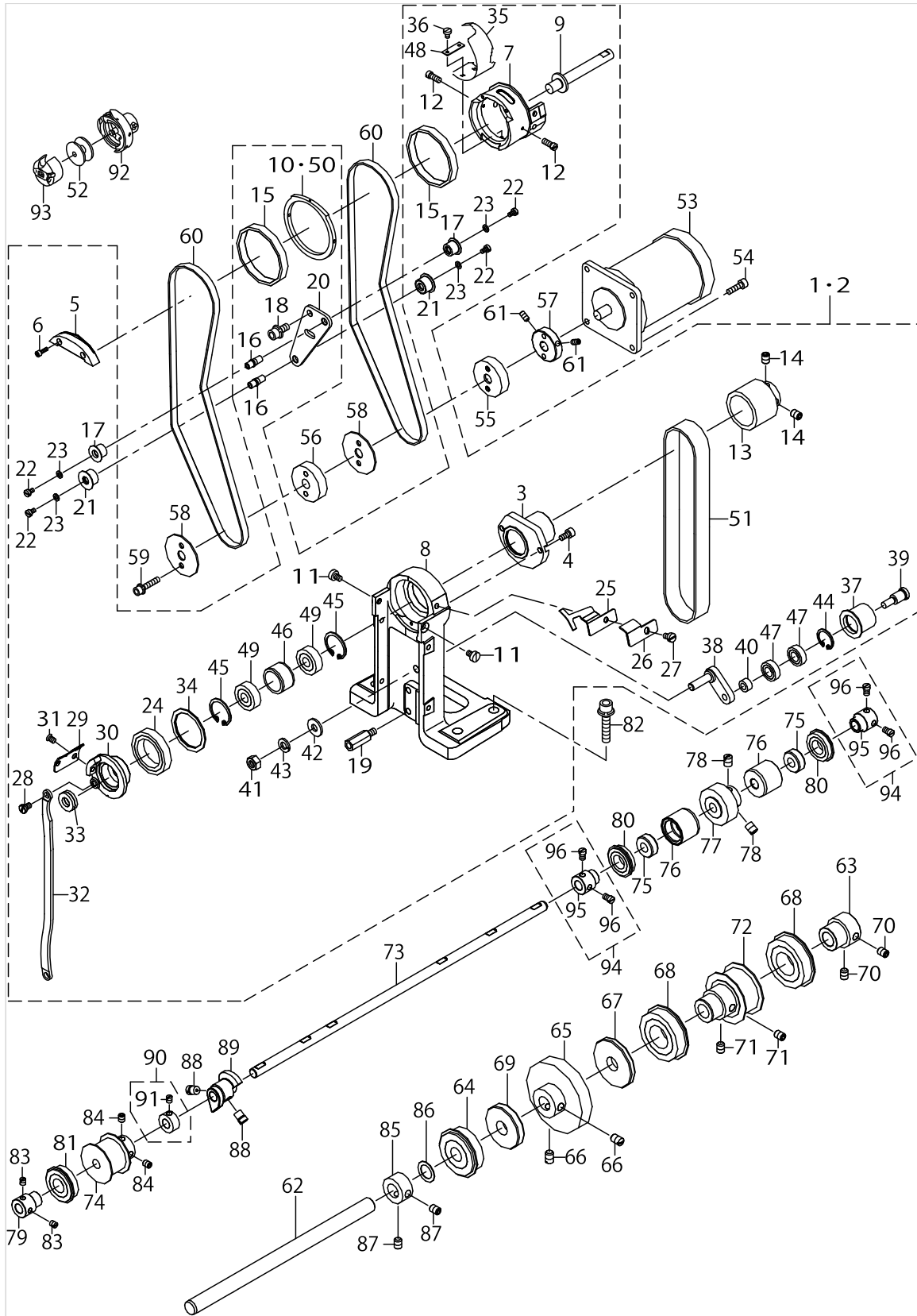
# UPPER FEED MECHANISM COMPONENTS



UPPER FEED MECHANISM COMPONENTS

No.	Supply Code	Parts No.	Replacement	Parts name	Remarks	Choice	Step	Level	Cons	Qty	Rep. QTY
93		SL4040691SC		SCREW M4 L=6						1	
94		40019605		COVER PLATE C						1	
95		SL4040891SC		SCREW M4 L=8						2	
96		40019594		COVER_STUD						2	
97		WP0430801SC		WASHER 4.3X9X0.8						2	
98		SM9061403SE		SCREW M6 L=14						2	

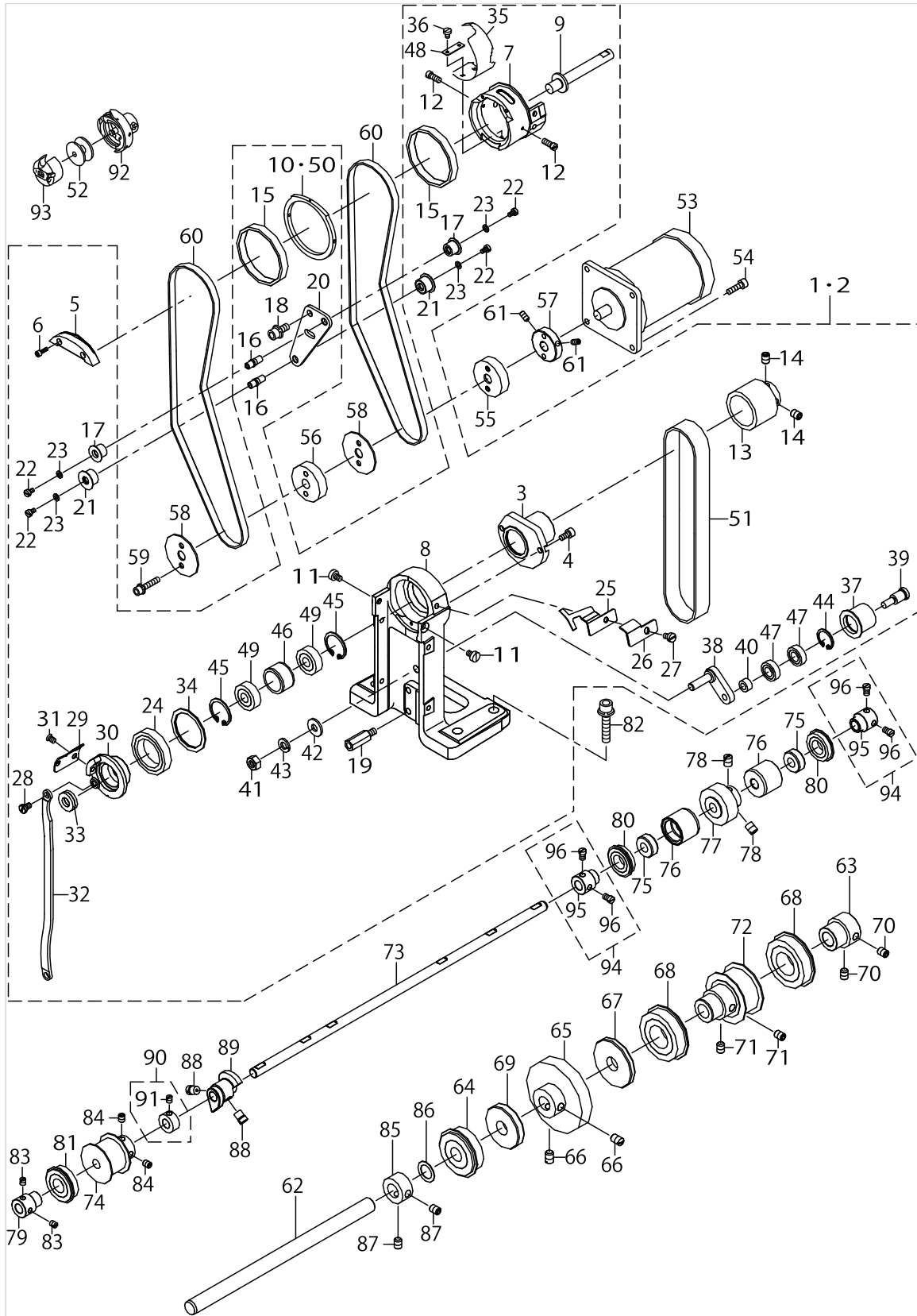
LOWER FEED MECHANISM & HOOK SHAFT & LOWER SHAFT COMPONENTS



LOWER FEED MECHANISM & HOOK SHAFT & LOWER SHAFT COMPONENTS

No.	Supply Code	Parts No.	Replacement	Parts name	Remarks	Choice	Step	Level	Cons	Qty	Rep. QTY
1		40017755		HOOK_SHAFT_BASE_ASM.	EXCEPT CA					1	
2		40046684		HOOK_SHAFT_BASE_ASM.	FOR CA					1	
3		40012938		BEARING_HOUSING				*		1	
4		SM6040802TN		SCREW				*		2	
5		40012931		BOBBIN_CASE HOLDER				*		1	
6		SM6850802TN		SCREW M2.5 L=8				*		2	
7		40012939		HOOK_HOUSING				*		1	
8		40012936		HOOK_SHAFT_BASE				*		1	
9		40012932		HOOK_SHAFT				*		1	
10		40012940		NEEDLE_HOLE_GUIDE	FOR CA			*		1	
11		SM6040650TP		SCREW				*		2	
12		40012709		SCREW				*	☆	2	
13		40012935		UPPER_SPROCKET				*		1	
14		SM8060612TP		SCREW M6 L=6				*		2	
15		40012951		BELT_ROLLER				*		2	
16		40012956		PULLEY_SHAFT				*		2	
17		40012957		LOWER_FEED_BELT_ROLLER				*		2	
18		SL6051292TN		BOLT				*		2	
19		40012961		TENSION_PLATE_SCREW				*		2	
20		40012955		LOWER_FEED_TENSION_PLATE				*		1	
21		40012959		LOWER_FEED_IDLER_PULLEY				*		2	
22		SM6030510SC		SCREW M3X0.5 L=5				*		4	
23		WP0320500SC		WASHER M3				*		4	
24		SB125000300		BEARING				*		1	
25		40012685		COUNTER_KNIFE				*	☆	1	
26		40012686		KNIFE_MOUNTING_PLATE				*	☆	1	
27		SM6040600SP		SCREW M4 L=6				*		1	
28		SD0500205TH		SHOULDER SCREW				*		1	
29		40017611		MOVING_KNIFE				*	☆	1	
30		40012922		MOVING_KNIFE_BASE				*		1	
31		SM1040652TP		SCREW				*		2	
32		40012926		MOVING_KNIFE_LINK				*		1	
33		SB408000200		BEARING				*		1	
34		40012923		BEARING_WASHER				*		1	
35		40043341		COUNTER_KNIFE_GUARD				*		1	
36		SM6020350SP		SCREW M2 L=2.5				*		2	
37	D	40017619		TENSION_ROLLER				*		1	
38	R	40012937	40017755	TENSION_PLATE_ASM.		A	CAを除く/Except CA	*		1	1.00
38	R	40012937	40046684	TENSION_PLATE_ASM.		B	CA	*		1	1.00
39		SD0801007TP		SHOULDER SCREW				*		1	
40	R	13522206	26228601	COLLAR				*		1	1.00
41		NM6060001SC		NUT M6				*		1	
42		WP0611626SP		WASHER 15X6X1.6				*		1	
43		WS0610002KP		SPRING WASHER				*		1	
44		RC1600002KP		RETAINING RING				*		1	
45		RC2200002KP		RETAINING RING				*		2	

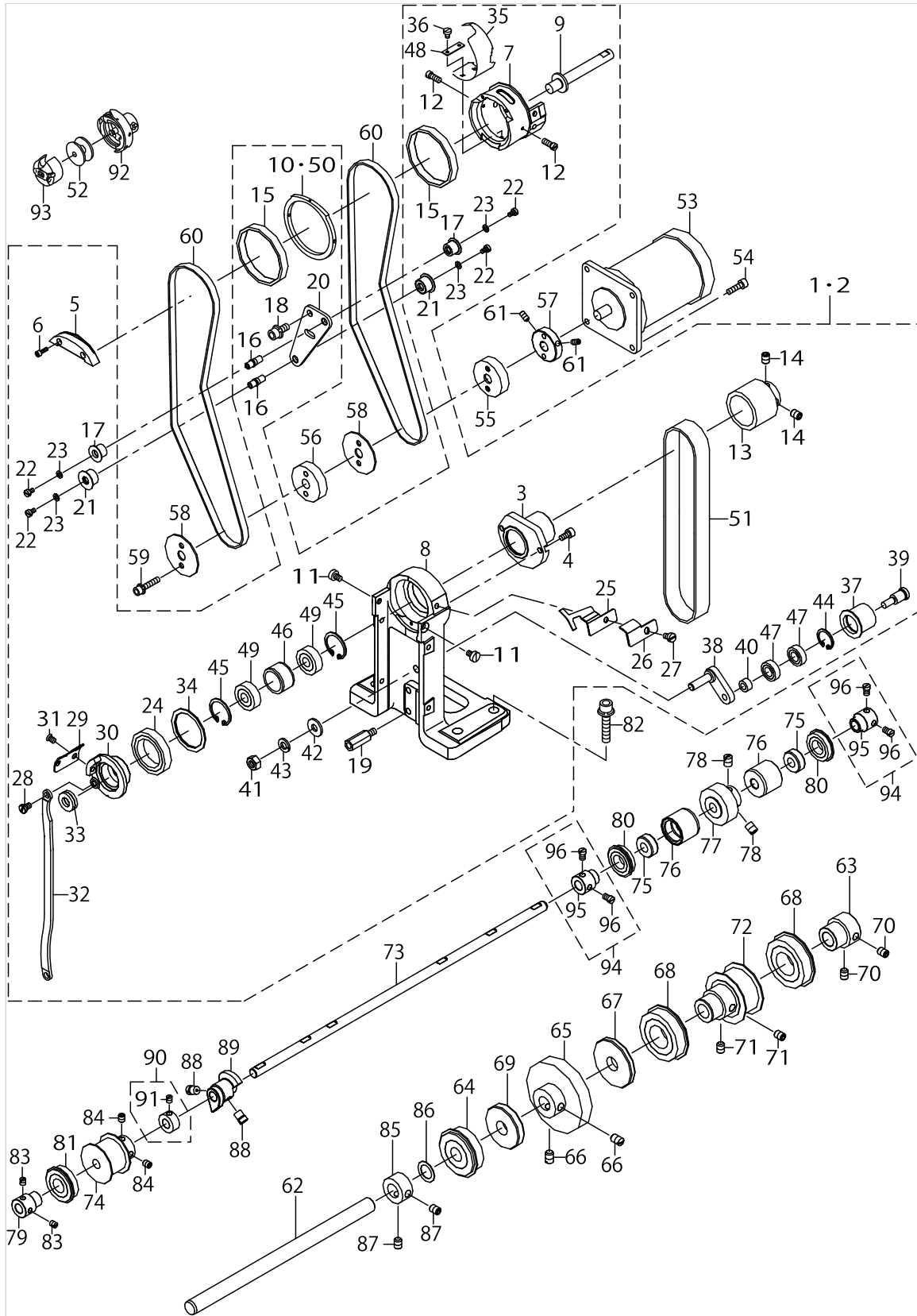
LOWER FEED MECHANISM & HOOK SHAFT & LOWER SHAFT COMPONENTS



LOWER FEED MECHANISM & HOOK SHAFT & LOWER SHAFT COMPONENTS

No.	Supply Code	Parts No.	Replacement	Parts name	Remarks	Choice	Step	Level	Cons	Qty	Rep. QTY
46		40017610		INNER_ROLLER				*		1	
47		SB108000100		BEARING				*		2	
48		40043705		COUNTER_KNIFE_GUARD_WASHER				*		1	
49		SB108000400		BUSHING				*		2	
50		40041854		NEEDLE_HOLE_GUIDE	EXCEPT CA			*		1	
51		40017609		TIMING_BELT				*		1	
52	R	B9117552A00	22964001	BOBBIN					☆	1	1.00
53		KM000000350		PULSE MOTOR						1	
54		SM6041402TP		SCREW M4 L=14						3	
55		40012952		LOWER_FEED_SPROCKET_A						1	
56		40012953		LOWER_FEED_SPROCKET_B						1	
57		40017607		PULLEY_CONNECTER						1	
58		40012954		SPROCKET_WASHER						2	
59		SL6042092TN		SCREW M4 L=20						2	
60		40017608		TIMING_BELT					☆	2	
61		SM8040802TP		SCREW M4X8						2	
62		40012690		SPROCKET_SHAFT						1	
63		40012700		BEARING_SUPPORT						1	
64		B3406180000		PULLEY BEARING						1	
65		23620503		GEAR,LARGE						1	
66		SS8661030SP		SCREW 1/4-40 L=10						2	
67		23618804		OIL SEAL						1	
68		SB120001000		BEARING						2	
69		23618705		OIL SEAL						1	
70		SM8060812TP		SCREW M6 L=8						2	
71		SM8060812TP		SCREW M6 L=8						2	
72		40012692		LOWER_SPROCKET						1	
73		40012705		LOWER_SHAFT						1	
74		40012934		LOWER_SPROCKET						1	
75		22890008		HOOK DRIVING SHAFT OIL SEAL						2	
76		23620404		HOOK SHAFT REAR METAL						2	
77	R	23620750	23620701	GEAR,SMALL(A)		A	A			1	1.00
77	R	23620750	23620800	GEAR,SMALL(A)		B	B			1	1.00
77	R	23620750	23620909	GEAR,SMALL(A)		C	C			1	1.00
77	R	23620750	23621006	GEAR,SMALL(A)		D	D			1	1.00
78		SS8660810TP		SCREW 1/4-40 L=8						2	
79	R	23620305	40044877	BEARING_SUPPORT						1	1.00
80		SB112000600		BEARING						2	
81		SB112000700		BEARING						1	
82		SL6063092TN		SCREW M6 L=30						4	
83		SS8110520TP		SCREW 11/64-40 L= 4.5						2	
84		SM8050612TP		SCREW M5X6						2	
85		CS1201171TP		THRUST COLLAR D=12 W=11						1	
86		E2067715000		BU SPACER X 0.5						1	
87		SM8060812TP		SCREW M6 L=8						2	
88		SS6660610TP		SCREW 1/4-40 L=6						2	

LOWER FEED MECHANISM & HOOK SHAFT & LOWER SHAFT COMPONENTS

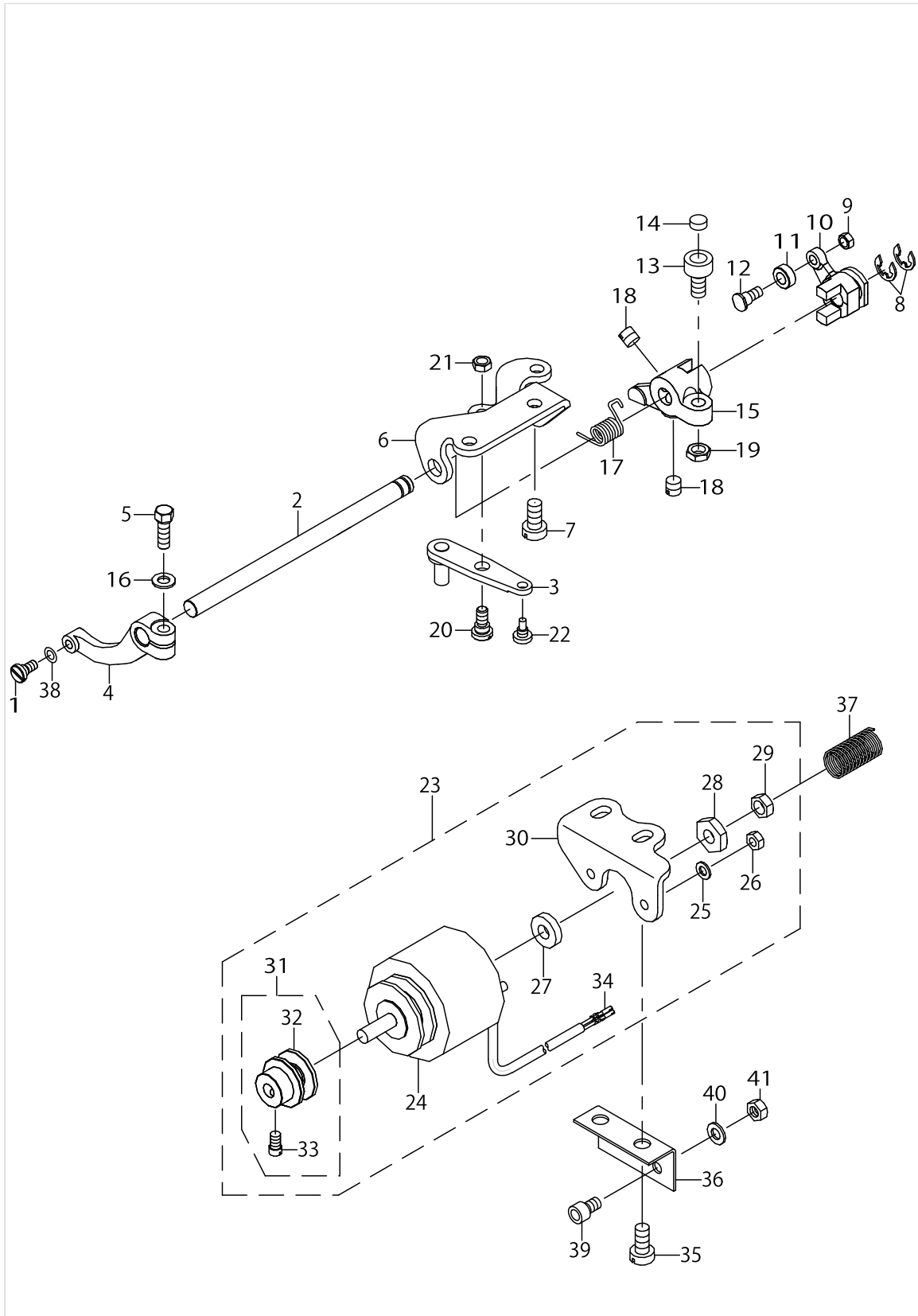


LOWER FEED MECHANISM & HOOK SHAFT & LOWER SHAFT COMPONENTS

No.	Supply Code	Parts No.	Replacement	Parts name	Remarks	Choice	Step	Level	Cons	Qty	Rep. QTY
89	R	11353604	11353653	THREAD TRIMMER CAM						1	1.00
90		22950950		CAM COLLAR ASM.						1	
91		SS8110520TP		SCREW 11/64-40 L= 4.5				*		1	
92		22890305		RP HOOK S					☆	1	
93		40017616		BOBBIN_CASE_ASM.					☆	1	
94		40044877		HOOK SHAFT BEARING SUPPORT ASM						2	
95	R	23620305	40044877	BEARING_SUPPORT				*		1	1.00
96		SS6110650TP		SCREW 11/64-40 L=5.5				*		2	



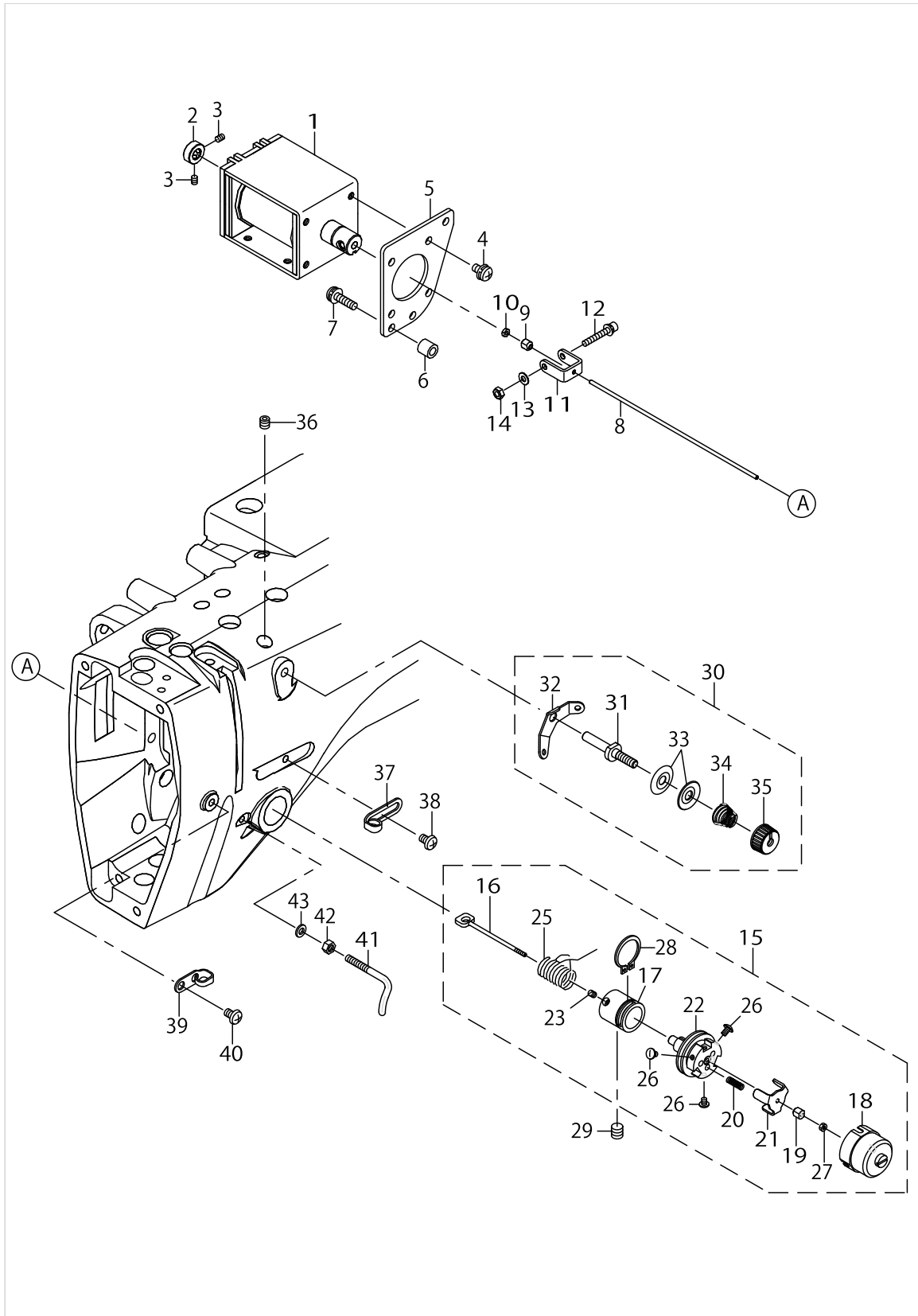
# THREAD TRIMMER MECHANISM COMPONENTS



THREAD TRIMMER MECHANISM COMPONENTS

No.	Supply Code	Parts No.	Replacement	Parts name	Remarks	Choice	Step	Level	Cons	Qty	Rep. QTY
1		SD0500256TH		SHOULDER SCREW						1	
2		40012927		KNIFE_DRIVING_SHAFT						1	
3		40012928		CLUTCH_PLATE_COMPL.						1	
4		40012687		KNIFE_DRIVING						1	
5		40017615		SCREW						1	
6		11352408		BASE PLATE						1	
7		SM6061200SP		SCREW						2	
8		RE0600000K0		E-RING 6						2	
9		NS6110310SP		NUT 11/64-40						1	
10		11352606		SLIDE ARM						1	
11		11354404		DRIVING ROLLER						1	
12		D2588L8WB00		ROLLER SHAFT						1	
13	R	B1453771000	40009236	STOPPER						1	1.00
14		B1432761000		SWING ARM STOPPER RUBBER						1	
15		11352507		KNIFE DRIVING ARM						1	
16		WP0531001SC		WASHER						1	
17		11353406		SPRING						1	
18		SS8660610TP		SCREW 1/4-40 L=6						2	
19		NS6150430SP		NUT 15/64-28						1	
20		SD0640325SP		HINGE SCREW						1	
21		NS6120310SP		NUT 3/16-28						1	
22		11352705		SCREW PIN, A						1	
23		40017612		SOLENOID_UNIT						1	
24		40133275		THREAD_TRIMMER_SOLENOID				*		1	
25		WP0430800SC		WASHER M4				*		1	
26		NM6040000SN		NUT M4				*		1	
27		11043304		SOLENOID RUBBER				*		1	
28		NS6660410SH		NUT				*		1	
29		NS6660430SP		NUT 1/4-40				*		1	
30		22951404		SOLENOID BASE				*		1	
31		23624554		DRIVING_BLOCK_ASM.				*		1	
32		23624505		DRIVING BLOCK				*		1	
33		SS7110740TP		SCREW 11/64-40 L=7				*		1	
34		HK03464000B		PIN CONTACT				*		2	
35		SM6061200SP		SCREW						2	
36		40012930		SOLENOID_SPRING_PLATE						1	
37		40017675		SPRING						1	
38		10523702		WASHER						1	
39		SM6050802TP		SCREW M5X0.8 L=8						1	
40		WP0531001SC		WASHER						1	
41		NM6050001SC		NUT M5						1	

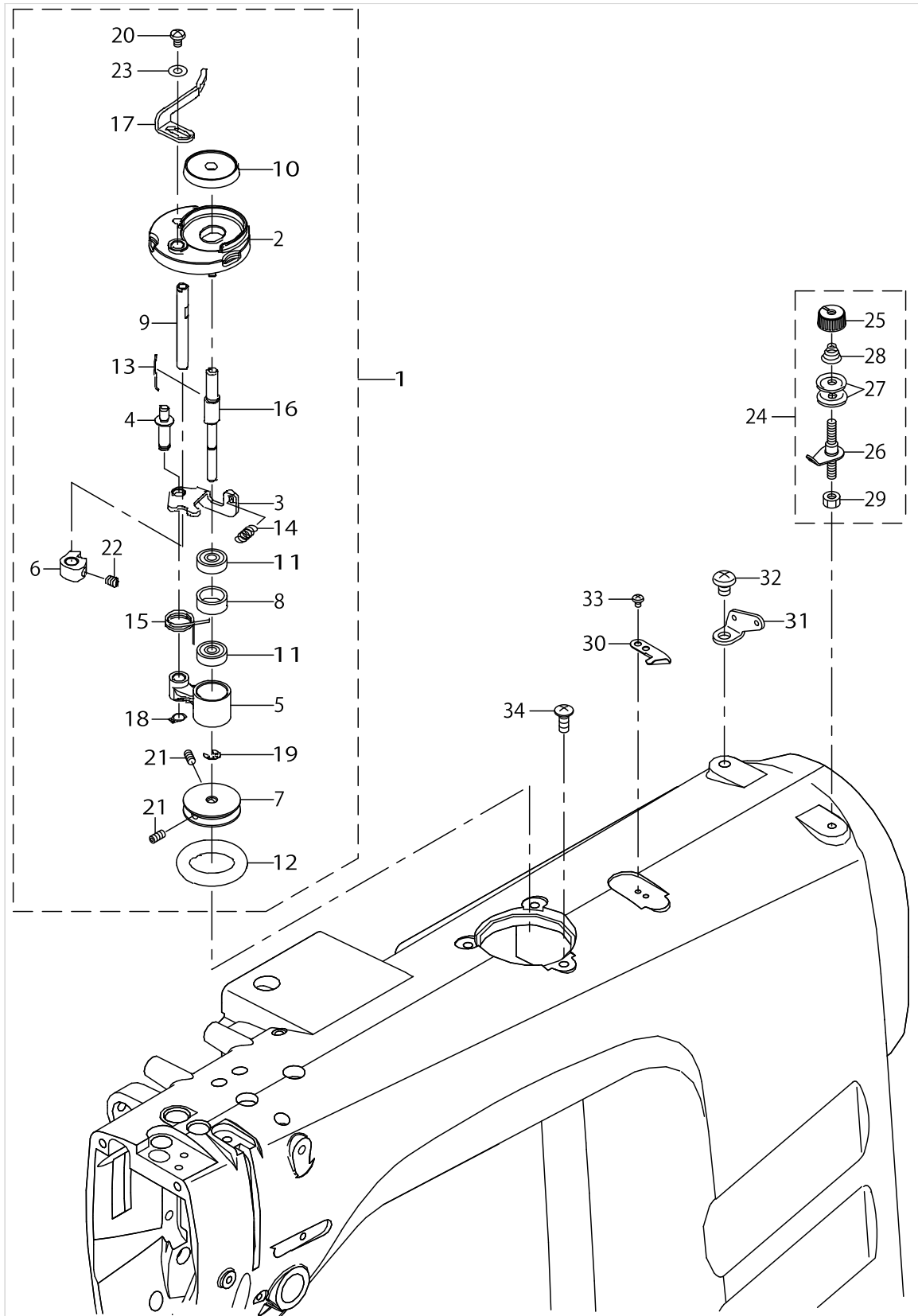
# THREAD TENSION COMPONENTS



THREAD TENSION COMPONENTS

No.	Supply Code	Parts No.	Replacement	Parts name	Remarks	Choice	Step	Level	Cons	Qty	Rep. QTY
1		40016908		AT_SOLENOID						1	
2		40010477		AT_SOL_COLLAR						1	
3		SM8030412TP		SCREW						2	
4		SL4040891SC		SCREW M4 L=8						4	
5		40016909		SOLENOID_PLATE						1	
6	R	11110707	22956205	WIPER HINGE SCREW COLLAR						3	1.00
7		SL4041691SC		SCREW M4 L=16						3	
8		40016910		THREAD_TENSION_SHAFT						1	
9		40010512		THREAD_TENSION_SHAFT_COLLAR						1	
10		NM6020001SC		NUT M2						2	
11		40016911		THREAD_TENSION_SHAFT HOLDER						1	
12		SL6032092TN		BOLT						1	
13		WP0320501SC		WASHER M3						1	
14		NM6030001SC		NUT M3						1	
15		40010508		THREAD_TENSION_2_ASM.						1	
16		40010509		THREAD_TENSION_SHAFT				*		1	
17		40010510		THREAD_TENSION_POST_BASE				*		1	
18		40010511		DISK_STOPPER HOLDER_CAP				*		1	
19		40010512		THREAD_TENSION_SHAFT_COLLAR				*		1	
20		40010513		DISK_STOPPER_SP				*		3	
21		40010514		DISK_STOPPER				*		1	
22		40010515		ASSY_THREAD_TENSION_POST				*		1	
23	R	40011359	40010508	POST_BASE_SCREW				*		1	1.00
24		40010478		AT_SOL_COLLAR_SCREW				*		1	
25		22921605		THREAD TAKE-UP SPRING				*	☆	1	
26		40010521		HOLD_CAP_SCREW				*		3	
27		40010522		SHAFT_NUT				*		1	
28	R	40010523	40010508	POST_BASE_C_RING				*		1	1.00
29		SM8050552TP		SCREW						1	
30		22945463		THREAD TENSION ASM. NO.1						1	
31		22945414		THREAD TENSION POST				*		1	
32	R	22945604	22963458	THREAD TENSION GUIDE		A	DDL8700H-- -7/8700J-- 7/9000B, DLN6390-7	*		1	1.00
32	R	22945604	22945463	THREAD TENSION GUIDE		B	DDL8700-7 and so on	*		1	1.00
33		22945802		THREAD TENSION DISK				*		2	
34		22945505		THREAD TENSION SPRING				*		1	
35		22945703		THREAD TENSION NUT				*		1	
36		SM8050552TP		SCREW						1	
37		23626104		ARMTHREADGUIDEA						1	
38		SM5040655SN		SCREW						1	
39		22920607		ARMTHREADGUIDEB						1	
40		SM5040655SN		SCREW						1	
41	R	11305513	22972608	ARM THREAD GUIDE, C						1	1.00
42		11404308		NUT						1	
43		WP0371026SD		WASHER 3.7X7X1						1	

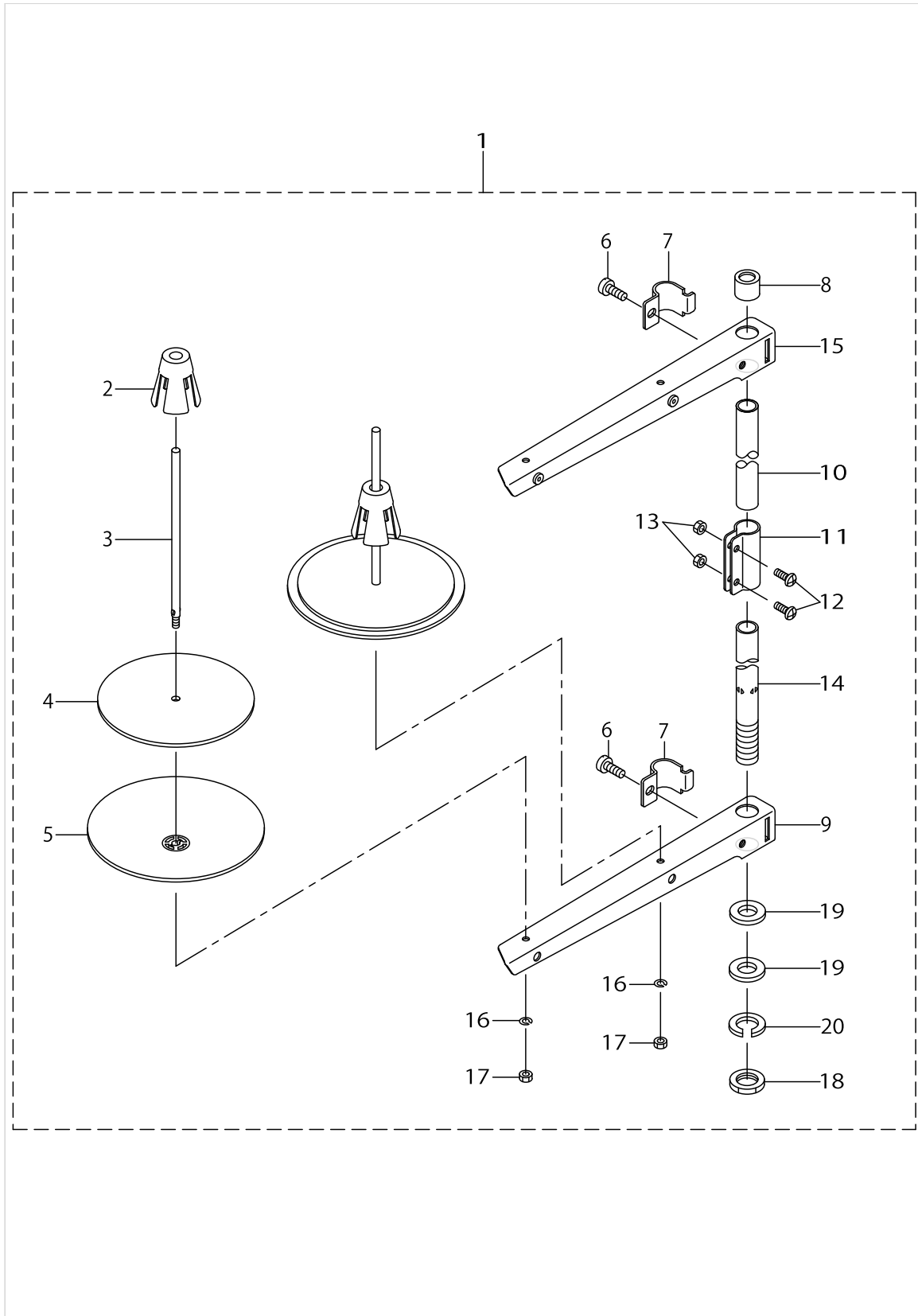
BOBBIN WINDER COMPONENTS



BOBBIN WINDER COMPONENTS

No.	Supply Code	Parts No.	Replacement	Parts name	Remarks	Choice	Step	Level	Cons	Qty	Rep. QTY
1		40023021		BOBBINWINDERUNIT						1	
2	R	26260109	26260000	BTW_BASE				*		1	1.00
3		26260208		BTW_CAM_PLATE				*		1	
4		26260307		BTW_BASE_SHAFT				*		1	
5		26260406		BTW_SHAFT_BASE				*		1	
6		26260505		BTW_CAM_LEVER				*		1	
7		26260604		BTW_WHEEL				*		1	
8	R	26260802	26260000	BTW_BEARING_SPACER				*		1	1.00
9		26261008		BTW_LEVER_SHAFT				*		1	
10		26261206		BTW_SPACER				*		1	
11	R	26261305	26260000	BTW_BEARING				*		2	1.00
12		26261503		BTW_WHEEL_RUBBER				*		1	
13		26261602		BOBBIN_SPRING				*		1	
14		26261701		BTW_SPRING				*		1	
15		40011144		BTW_TORSION_SPRING				*		1	
16		40014837		BTW_SHAFT				*		1	
17		40023022		BTW LEVER				*		1	
18		RC0560711KP		RETAINING RING				*		1	
19		RE0400000K0		E-RING 4				*		1	
20		SM5040655SN		SCREW				*		1	
21		SM8040802TP		SCREW M4X8				*		2	
22		SM8050502TP		SCREW M5 L=5				*		1	
23		WP0450826SC		WASHER 4.5X10X0.8				*		1	
24		23636657		BOBBIN THREAD TENSION ASM.				*		1	
25		11072402		THREAD TENSION NUT				*		1	
26		14113450		BOBBIN THREAD T- ENSION ROD ASM.				*		1	
27	R	B3126012000	22921506	THREAD TENSION DISK				*		2	1.00
28		D7133555B00		CONNECTING ROD SPRING				*		1	
29		NS6110530SP		NUT 11/64-40				*		1	
30		10502300		THREAD CUTTER				*		1	
31	R	13706700	40023291	THREAD GUIDE, NO.1				*		1	1.00
32		SM4060801SE		SCREW				*		1	
33		SM4030401SC		SCREW M3X0.5 L=4				*		2	
34		SM0051201SC		SCREW				*		3	

# THREAD STAND COMPONENTS



THREAD STAND COMPONENTS

No.	Supply Code	Parts No.	Replacement	Parts name	Remarks	Choice	Step	Level	Cons	Qty	Rep. QTY
1	R	22930358	40096354	THREAD STAND ASM.						1	1.00
2	R	22931109	40085791	SPOOL RETAINER				*		2	1.00
3	R	22931000	40085790	SPOOL PIN				*		2	1.00
4		22930903		SPOOL REST CUSHION				*		2	
5		22930804		SPOOL REST				*		2	
6		SM6061610SC		SCREW M6 L=16				*		2	
7	R	22930705	40096354	THREAD GUIDE ARM JOINT				*		2	1.00
8		22931406		SPOOL REST ROD RUBBER CAP				*		1	
9	R	22930507	40096354	SPOOL REST ARM				*		1	1.00
10	R	22930408	40096354	SPOOL REST ROD, UPPER				*		1	1.00
11	R	22931307	40096354	SPOOL REST ROD JOINT				*		1	1.00
12		SM4051405SE		SCREW M5 L=14				*		2	
13		NM6050001SE		NUT M5				*		2	
14	R	22930309	40096354	SPOOL REST ROD, LOWER				*		1	1.00
15	R	22930556	40096354	THREAD STANDING ARM ASM.				*		1	1.00
16		WS0510002KN		SPRING WASHER				*		2	
17		NM6050001SE		NUT M5				*		2	
18		NM6160511SE		NUT M16X1.5				*		1	
19		WP1612616SE		WASHER 16X30X2.6				*		2	
20	R	WS1643202KR	WP1612616SE	SPRING WASHER		A		*		1	2.00
20	R	WS1643202KR	40085796	SPRING WASHER		A		*		1	2.00



TABLE STAND COMPONENTS

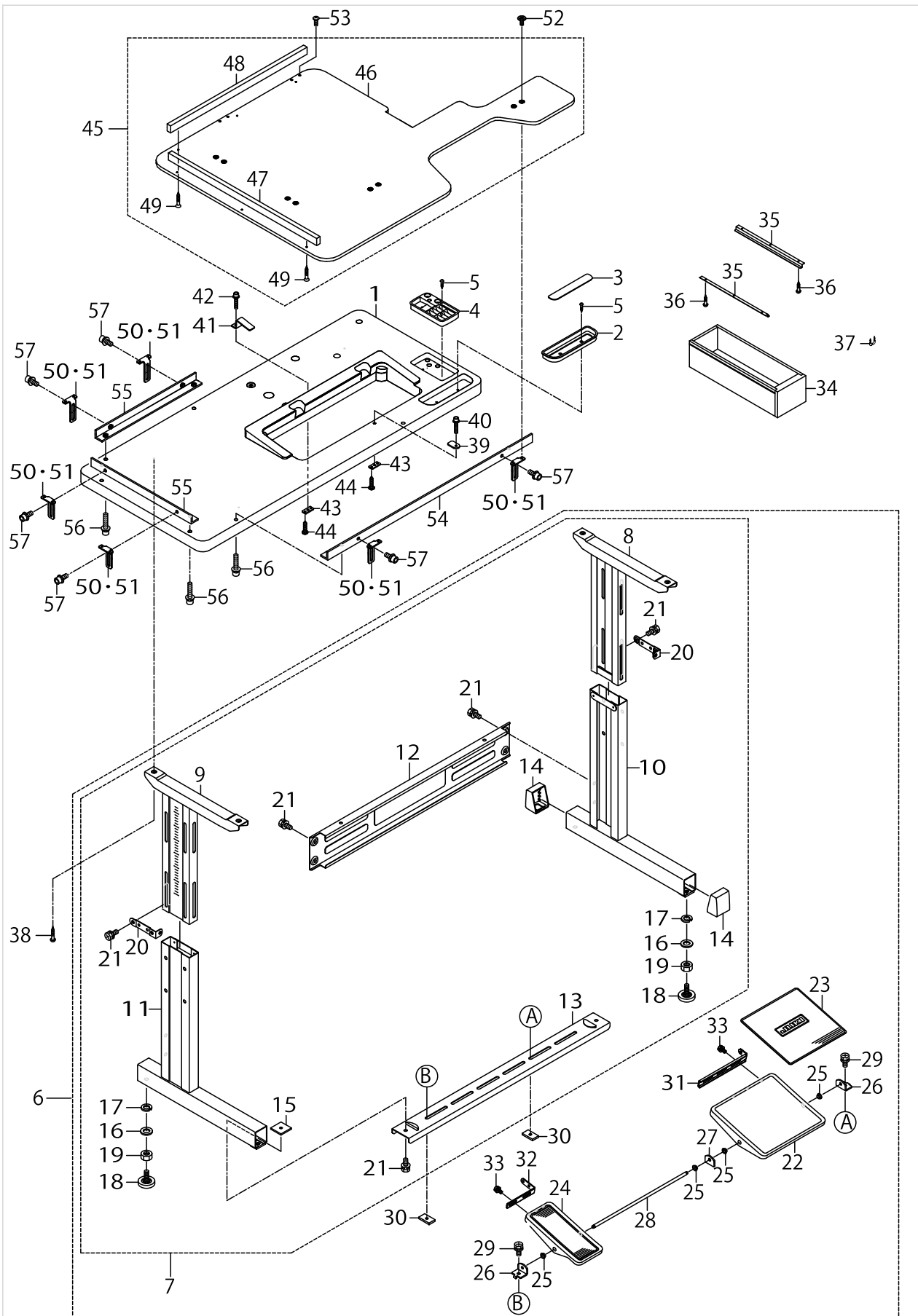


TABLE STAND COMPONENTS

No.	Supply Code	Parts No.	Replacement	Parts name	Remarks	Choice	Step	Level	Cons	Qty	Rep. QTY
1		40013092		SLANT_TABLE						1	
2		11156007		CASE						1	
3		11155801		CASE MAGNET						1	
4		11155751		CASE ASM. B						1	
5		SK3382001SC		WOOD SCREW D=3.8 L=20						4	
6		40014170		STAND_ASSY						1	
7	R	11157559	11157567	T-STAND ASM.				*		1	1.00
8		11157666		UPPER STAND ASM., RIGHT				*		1	
9		11157765		UPPER STAND ASM., LEFT				*		1	
10		11157963		LOWER LEG, RIGHT				*		1	
11		11158060		LOWER LEG, LEFT				*		1	
12	D	11158300		STAND SIDE SUPPORT				*		1	
13		11158409		STAND SIDE SUPPORT				*		1	
14		11158607		RUBBER CAP				*		4	
15		17007402		NUT				*		2	
16		WP1302501SE		WASHER M12				*		4	
17		WS1253010KN		SPRING WASHER 12.5X21.5X3				*		4	
18		B81085550A0		ADJUSTING SCREW ASM. WITH CAP				*		4	
19		NM6120001SE		NUT M12				*		4	
20		11158516		UPPERSTANDPLATE				*		2	
21		SL9082091SE		WASHER HEXAGONAL BOLT				*		12	
22		11158805		PEDAL				*		1	
23		11158904		PEDAL MAT				*		1	
24		GPF060600A0		PEDAL ASM.				*		1	
25		D8113555B00		PEDAL BUSHING				*		4	
26		11159001		PEDAL SHAFT BRACKET				*		2	
27		GPF06017000		PEDAL SHAFT BRACKET				*		1	
28		GPF01016000		PEDAL SHAFT				*		1	
29		SL9082091SE		WASHER HEXAGONAL BOLT				*		2	
30		B8112552000		LEG BOTTOM SUPPORT BRACKET				*		2	
31		11158706		PEDAL ADJUSTING PLATE				*		1	
32		GPF06080000		PEDAL ADJUSTING PLATE				*		1	
33		SL9061291SE		WASHER HEXAGONAL BOLT M6 L=12				*		4	
34	R	11155108	11155157	DRAWER						1	1.00
35		11155207		DRAWER SUPPORT						2	
36	R	SK3311600SC	SK3311601SE	WOOD SCREW D=3.1 L=16						6	1.00
37		D8204555D00		DRAWER STOPPER						1	
38	R	SK3513200SC	SK3513201SE	WOOD SCREW D=5.1 L=32						4	1.00
39		40013126		STOPPER_PLATE_A						1	
40		SL6063092TN		SCREW M6 L=30						1	
41		40017696		STOPPER_PLATE_B						1	
42		SL6063092TN		SCREW M6 L=30						1	
43		40017697		STOPPER_PLATE_C						2	
44		SK3381601SC		WOOD SCREW D=3.8 L=16						4	
45		40013085		WORK_TOP_TABLE_ASSY						1	

TABLE STAND COMPONENTS

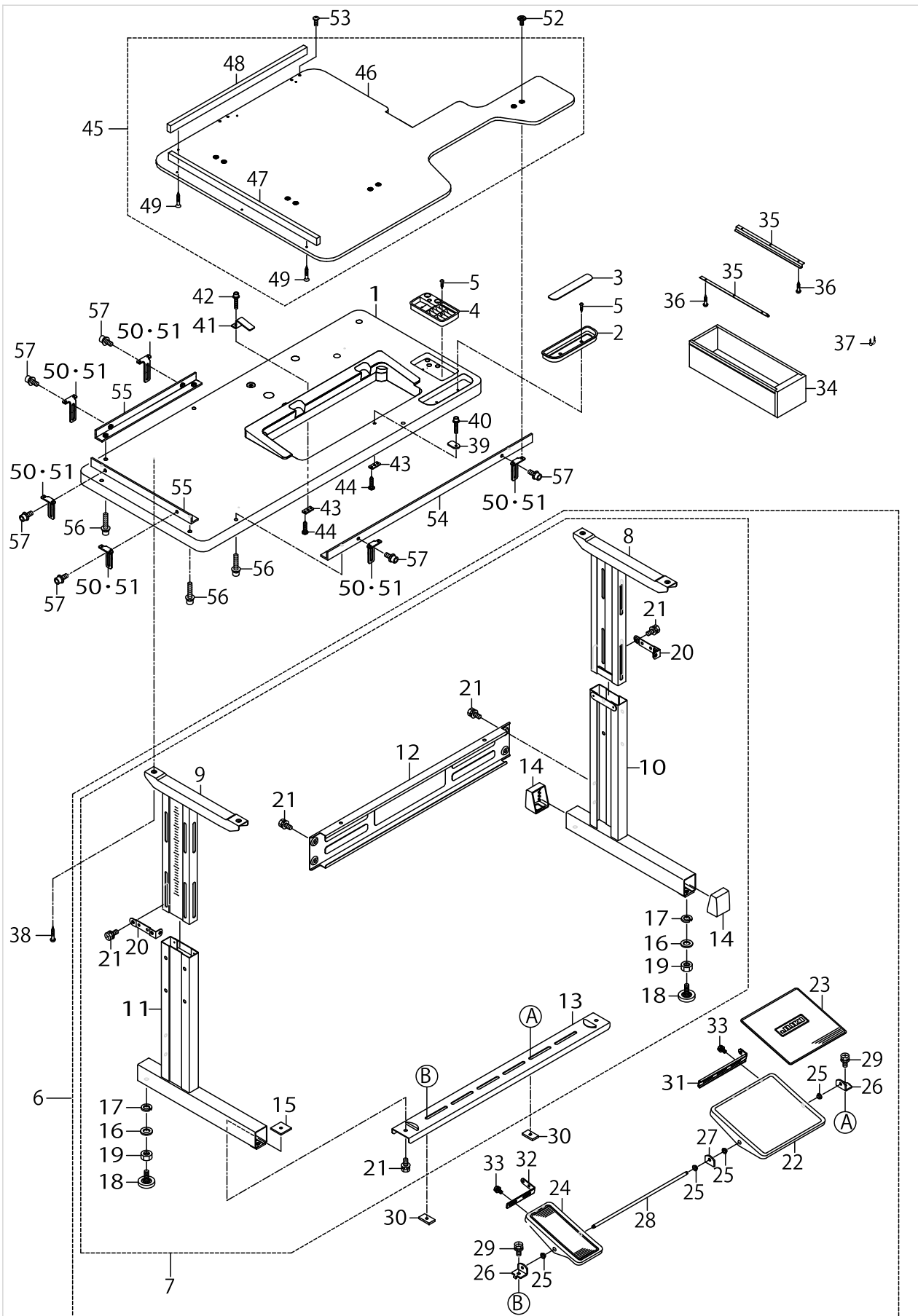
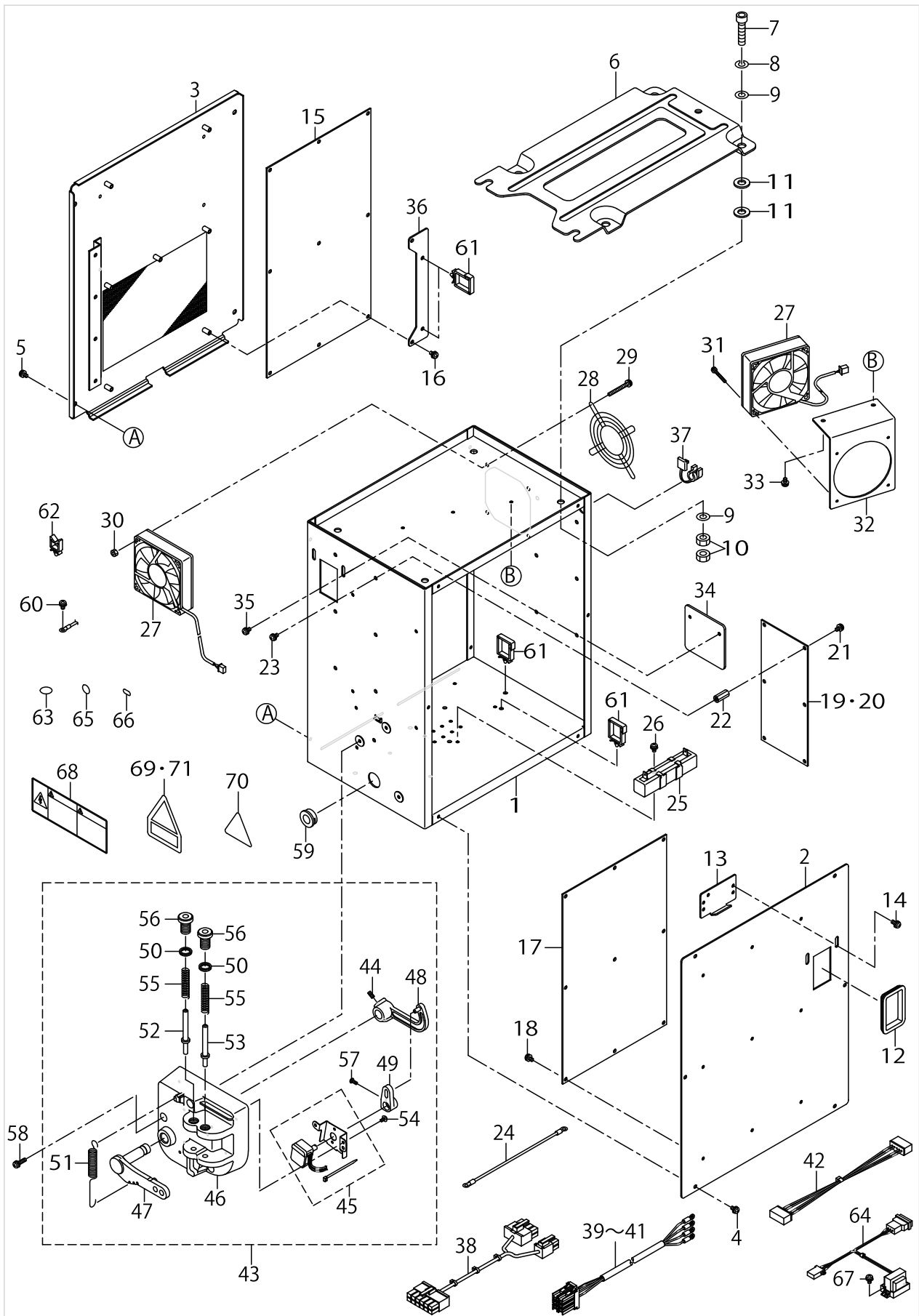


TABLE STAND COMPONENTS

No.	Supply Code	Parts No.	Replacement	Parts name	Remarks	Choice	Step	Level	Cons	Qty	Rep. QTY
46		40013086		WORK_TOP_TABLE				*		1	
47		40013087		EDGE_STOPPER_A				*		1	
48		40013088		EDGE_STOPPER_B				*		1	
49		SK1382501SE		WOOD SCREW D=3.8 L=25				*		6	
50		40013093		ADJUST PLATE	SELECTIVE PARTS					6	
51		40014254		ADJUST_PLATE_B	SELECTIVE PARTS					6	
52		40017676		JOINT_CONNECTOR_BOLT						8	
53		SM0061601SC		SCREW						4	
54		40015522		BASE_A						1	
55		40017630		BASE_B						2	
56		SL6084092TN		BOLT						6	
57		SL6082092TN		BOLT						6	

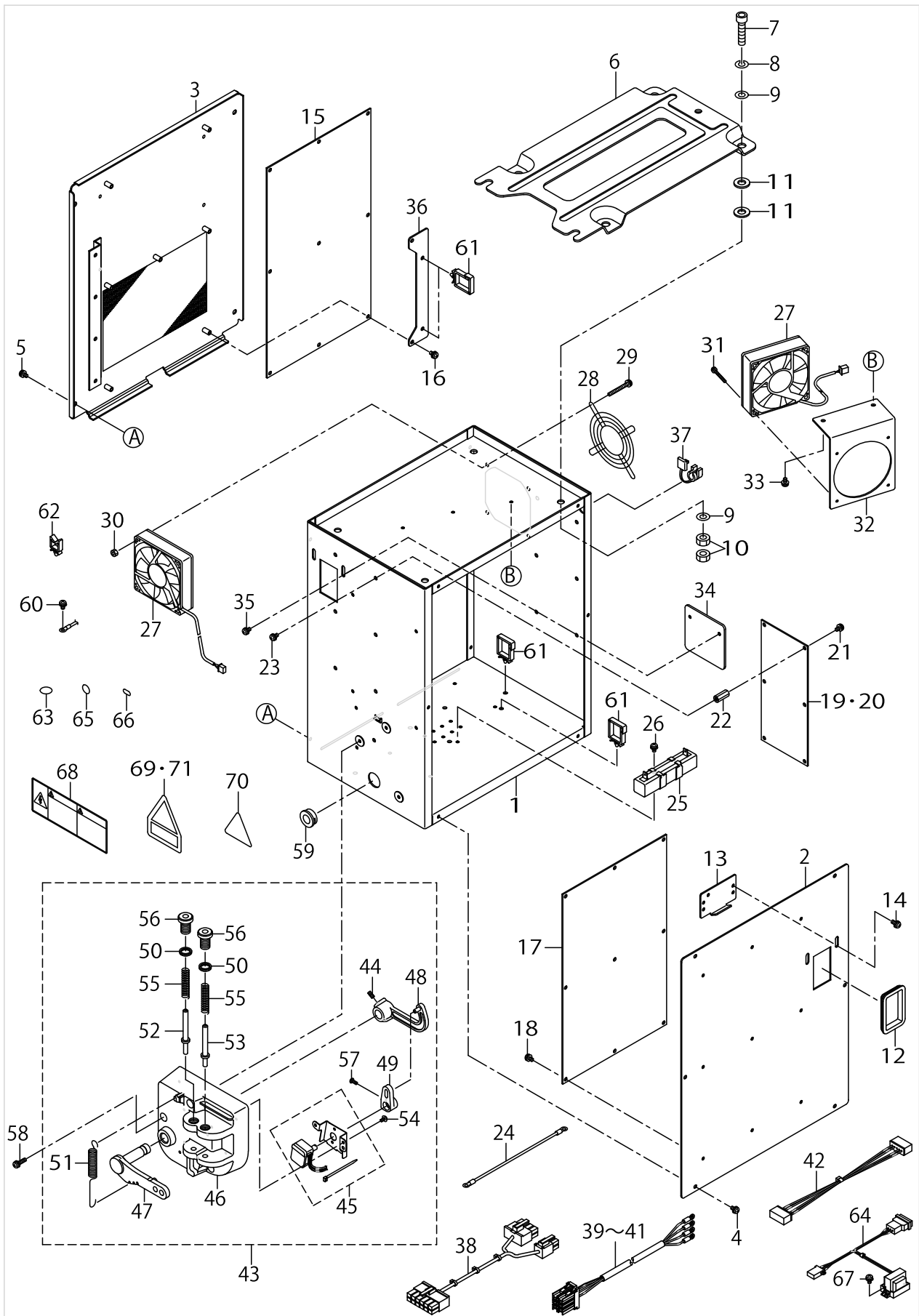
# CONTROL BOX COMPONENTS



CONTROL BOX COMPONENTS

No.	Supply Code	Parts No.	Replacement	Parts name	Remarks	Choice	Step	Level	Cons	Qty	Rep. QTY
1	R	40003451	40055355	CONTROL BOX						1	1.00
2		40005991		TRANSMISSION BOX FRONT COVER						1	
3		40003453		CONTROL BOX REAR COVER						1	
4		SL4040891SC		SCREW M4 L=8						6	
5		SL4040891SC		SCREW M4 L=8						4	
6		M3801476000		TRANSMISSION BOX FITTING PLATE						1	
7		SM6083502TN		SCREW						4	
8		WS0820002KR		SPRING WASHER, M8						4	
9		WP0841601SC		WASHER 8.4X17.4X1.6						8	
10		NM6080002SC		NUT M8						8	
11		M4206461000		WASHER						8	
12		HX004070000		BUSH						1	
13		17845009		CORD FITTING PLATE						1	
14		SL4041091SC		SCREW M4 L=10						2	
15		40008187		MAIN PCB A ASSY						1	
16		SL4040881SC		SCREW M4 L=8						7	
17	R	40017736	40127009	PWR PCB B ASSY						1	1.00
18		SL4040881SC		SCREW M4 L=8						9	
19		40000056		FLT-T PCB A ASSY	FOR USE IN JAPAN(3--PHASE), J-US(3-PHASE)					1	
20	R	40000046	40162838	FLT-S PCB A ASSY	FOR GENERAL EXPORT(1-PHASE),JE					1	1.00
21		SL4040881SC		SCREW M4 L=8						6	
22		HX00337000B		PARTS						6	
23		SL4040891SC		SCREW M4 L=8						6	
24		40005974		FLT-FG CORD A ASM.						1	
25		40005979		REGENERATIVE RESISTANCE A ASM.						1	
26		SL4040891SC		SCREW M4 L=8						1	
27		40016435		FAN ASSY 130						2	
28		HM000480010		FINGER GUARD						1	
29		SL4043591SC		SCREW						4	
30		NM3040520SF		FLANGE NUT M4						4	
31		SL4033091SC		SCREW M3 L=30						4	
32		40005404		FAN MOTOR BRACKET						1	
33		SL4040891SC		SCREW M4 L=8						2	
34		40006002		BOX HORIZONTAL COVER						1	
35		SL4040891SC		SCREW M4 L=8						2	
36		40006003		CTL CLAMP HOLDER PLATE						1	
37		HX00410000A		STRAIN RELIEF BUSHING						1	
38		40017743		DC POWER CORD ASSY						1	
39		40005975		AC INPUT 3-PHASE CORD A ASM.	FOR USE IN JAPAN(3--PHASE), J-US(3-PHASE)					1	
40		40005976		AC INPUT 1-PHASE CORD A ASM.	FOR GENERAL EXPORT(1-PHASE)					1	

# CONTROL BOX COMPONENTS

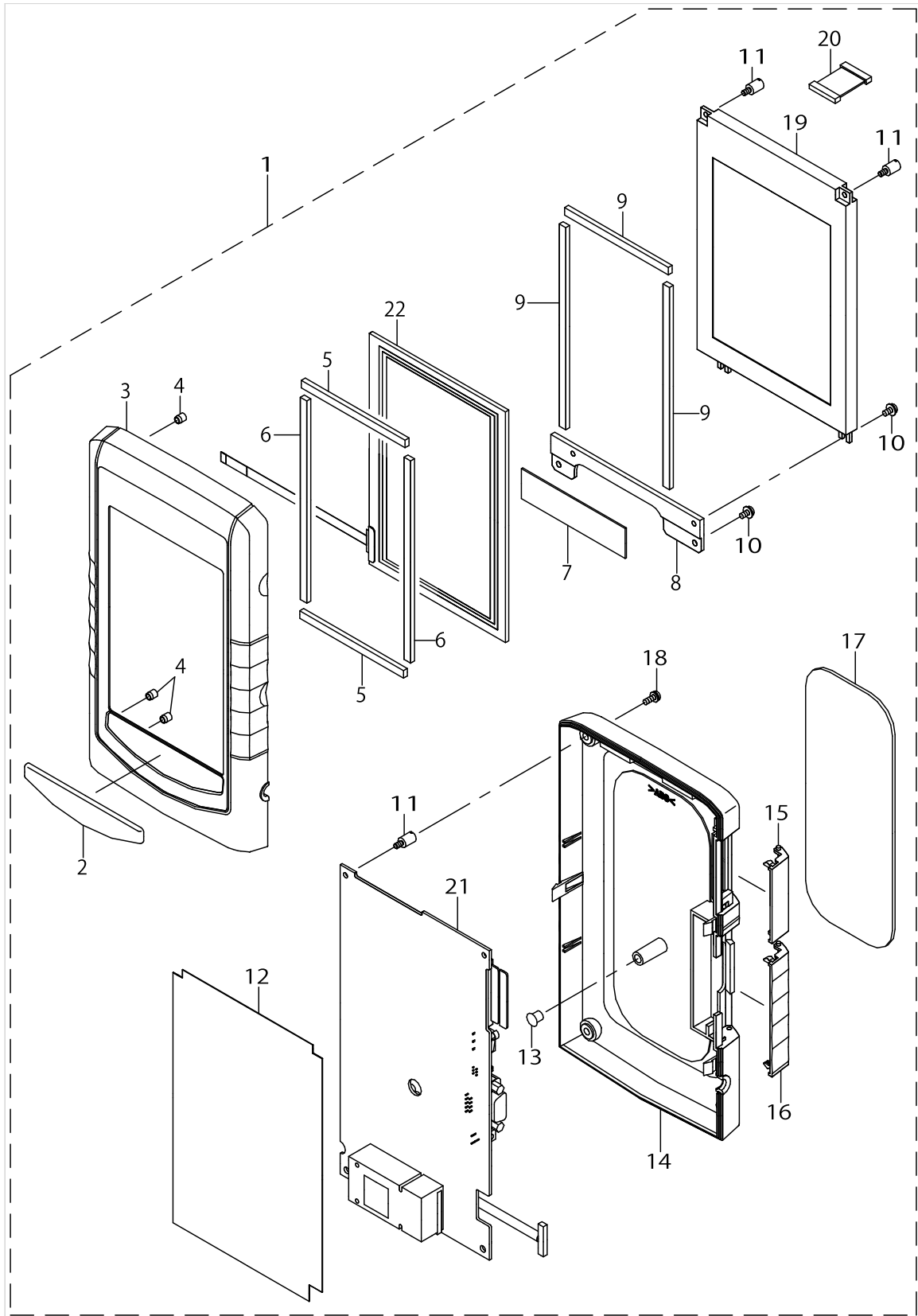


CONTROL BOX COMPONENTS

No.	Supply Code	Parts No.	Replacement	Parts name	Remarks	Choice	Step	Level	Cons	Qty	Rep. QTY
41		40005977		AC INPUT 1-PHASE CORD CE ASM.	FOR JE					1	
42		40005987		PDD RELAY CORD A ASM.						1	
43		40005980		PEDAL SENSOR UNIT A ASM.						1	
44		SM8040802TP		SCREW M4X8				*		2	
45		40005981		SENSOR FITTING PLATE A ASM.				*		1	
46		M4001461000		PEDAL SENSORBASE				*		1	
47		M4002461000		PEDAL LEVER				*		1	
48	R	M4004461000	40006204	PEDAL RING				*		1	1.00
49		M4005461000		VOLUME LINK				*		1	
50		M2010110000		ADJUST NUT				*		2	
51		M4007351000		FRONT SPRING				*		1	
52		M4008351000A		SPRING SHAFT A				*		1	
53		M4009351000A		SPRING SHAFT B				*		1	
54		SV4030601SR		SCREW M3 L=6				*		2	
55		M4011351000		SPRING B				*		2	
56		M4012351000		ADJUST SCREW				*		2	
57		SM4030801SF		SCREW M3X0.5 L=8				*		1	
58		SL4041681SF		SCREW M4 L=16						3	
59		HX00188000D		BUSH						1	
60		SL4040891SC		SCREW M4 L=8						5	
61		HX005110000		WIRE SADDLE						4	
62	D	HX00222000A		CABLE CLAMP						4	
63		E9567319000		EARTH MARK						1	
64		40016436		CEREACTIONEASSY	FOR JE					1	
65		40003458		MASK SEAL	FOR JE					8	
66		CM200100001		PE MARK LABEL	FOR JE					1	
67		SL4040891SC		SCREW M4 L=8	FOR JE					2	
68		CM300100401		LABEL 3 (LARGE)	FOR USE IN JAPAN(3-- PHASE), J- US(3-PHASE)					1	
69		CM300400701		VOLTAGE CAUTION LABEL	FOR USE IN JAPAN(3-- PHASE), J- US(3-PHASE)					1	
70		CM300100003		VOLTAGE WARNING LABEL(25)	FOR GENE- RAL EXPO- RT(1-PHASE),JE					1	
71		CM300400601		VOLTAGE CAUTION LABEL	FOR GENE- RAL EXPO- RT(1-PHASE),JE					1	



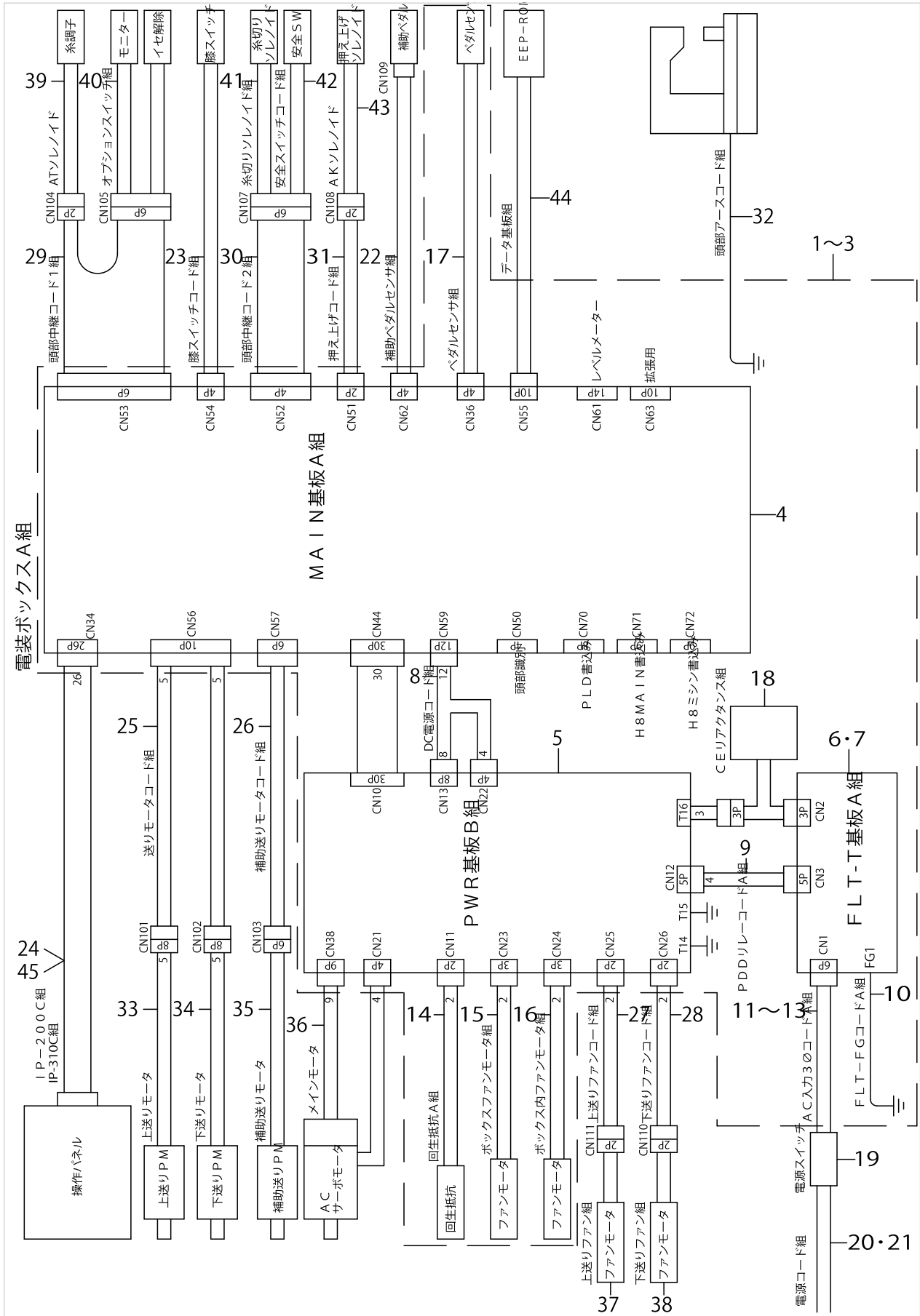
OPERATION PANEL COMPONENTS (IP-200C)



OPERATION PANEL COMPONENTS (IP-200C)

No.	Supply Code	Parts No.	Replacement	Parts name	Remarks	Choice	Step	Level	Cons	Qty	Rep. QTY
1	R	40000130	40059378	OPERATION_PANEL_ASS'Y		D	FOR ACF			1	1.00
1	R	40000130	40101221	OPERATION_PANEL_ASS'Y						1	1.00
1	R	40000130	40105353	OPERATION_PANEL_ASS'Y						1	1.00
1	R	40000130	40112935	OPERATION_PANEL_ASS'Y						1	1.00
1	R	40000130	40105233	OPERATION_PANEL_ASS'Y						1	1.00
2		40000131		NAME_PLATE				*		1	
3	R	40000132	40059378	OPERATION_PANEL_F		D	FOR ACF	*		1	1.00
3	R	40000132	40101221	OPERATION_PANEL_F				*		1	1.00
3	R	40000132	40105353	OPERATION_PANEL_F				*		1	1.00
3	R	40000132	40112935	OPERATION_PANEL_F				*		1	1.00
3	R	40000132	40105233	OPERATION_PANEL_F				*		1	1.00
4		40000133		INSERT_NUT				*		6	
5		40000134		TTP_H_FELT				*		2	
6		40000135		TTP_V_FELT				*		2	
7		40000136		KEY_SHEET				*		1	
8		40000137		LCD_BASE_PLATE				*		1	
9		40000138		BOTHSIDES_TAPE				*		3	
10		SL4030691SC		SCREW M3X6				*		4	
11		40000139		STUD				*		6	
12	R	40000140	40059378	ISOLATION_SHEET		D	FOR ACF	*		1	1.00
12	R	40000140	40101221	ISOLATION_SHEET				*		1	1.00
12	R	40000140	40105353	ISOLATION_SHEET				*		1	1.00
12	R	40000140	40112935	ISOLATION_SHEET				*		1	1.00
12	R	40000140	40105233	ISOLATION_SHEET				*		1	1.00
13		TA0550604R0		RUBBER PLUG				*		1	
14	D	40000141		OPERATION_PANEL_R				*		1	
15	D	40000142		SM_COVER				*		1	
16	D	40000143		SERIAL_COVER				*		1	
17		40000144		OPERATION_PANEL_MAGNET				*		1	
18		SL4030881SC		SCREW M3X8				*		4	
19	R	A39500100A0	A39500100A0A	LCD				*		1	1.00
20		40000146		LCD_CABLE_ASS'Y				*		1	
21	R	40000148	40059378	PANEL_PCB_A_ASS'Y		D	FOR ACF	*		1	1.00
21	R	40000148	40101221	PANEL_PCB_A_ASS'Y				*		1	1.00
21	R	40000148	40105353	PANEL_PCB_A_ASS'Y				*		1	1.00
21	R	40000148	40112935	PANEL_PCB_A_ASS'Y				*		1	1.00
21	R	40000148	40105233	PANEL_PCB_A_ASS'Y				*		1	1.00
22	R	A3906010000	A3906010000A	TOUCH PANEL				*		1	1.00

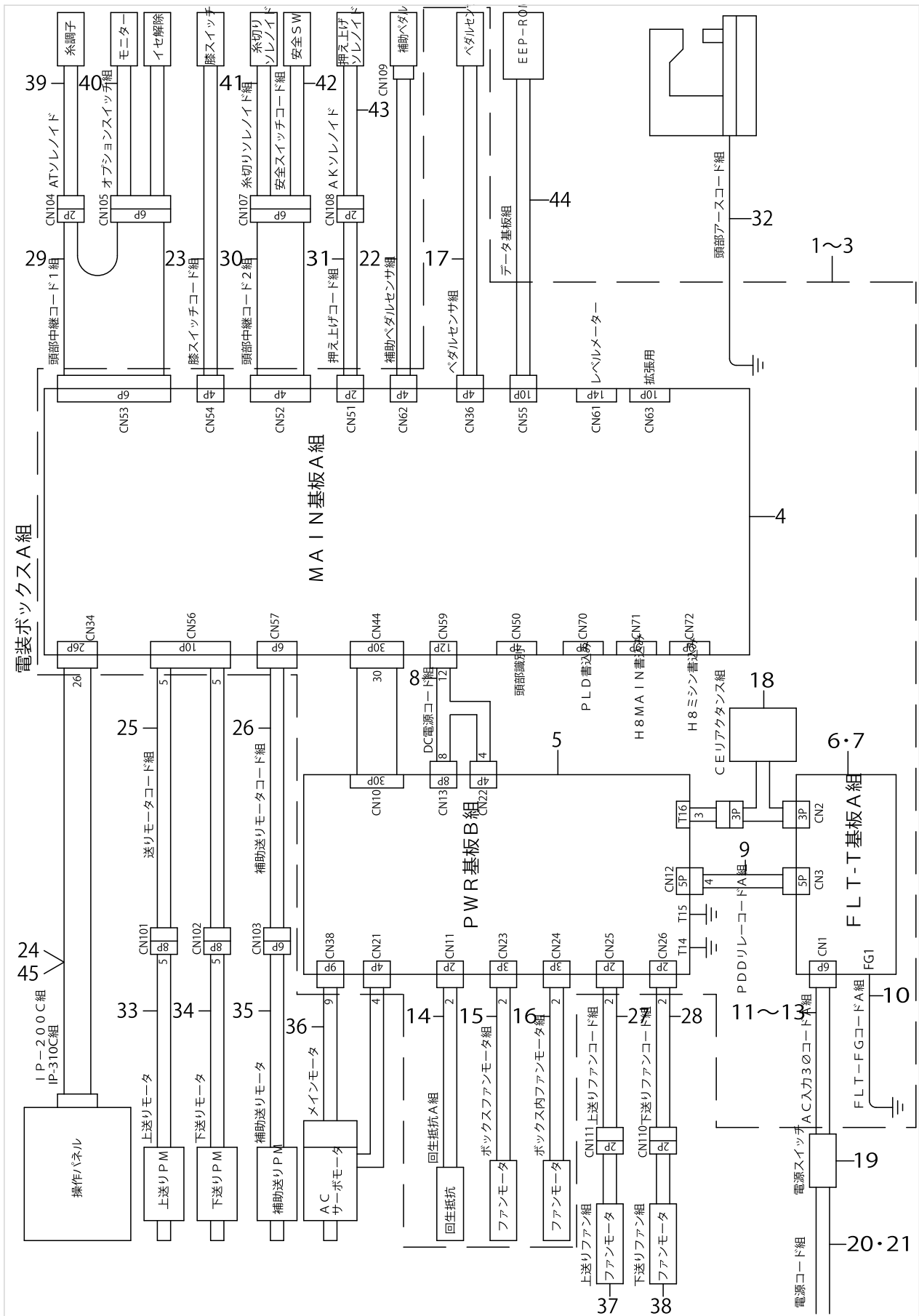
WIRING DIAGRAM



WIRING DIAGRAM

No.	Supply Code	Parts No.	Replacement	Parts name	Remarks	Choice	Step	Level	Cons	Qty	Rep. QTY
1		40008173		MC-650 BOX A 3P 200-240V	FOR USE IN JAPAN(3--PHASE), J-US(3-PHASE)					1	
2		40017733		MC-650 BOX B 1P 200-240V	FOR GENERAL EXPORT(1-PHASE)					1	
3		40017734		MC-650 BOX C 1P 200-240V	FOR JE					1	
4		40008187		MAIN PCB A ASSY				*		1	
5	R	40017736	40127009	PWR PCB B ASSY				*		1	1.00
6		40000056		FLT-T PCB A ASSY	FOR USE IN JAPAN(3--PHASE), J-US(3-PHASE)			*		1	
7	R	40000046	40162838	FLT-S PCB A ASSY	FOR GENERAL EXPORT(1-PHASE),JE			*		1	1.00
8		40017743		DC POWER CORD ASSY				*		1	
9		40005987		PDD RELAY CORD A ASM.				*		1	
10		40005974		FLT-FG CORD A ASM.				*		1	
11		40005975		AC INPUT 3-PHASE CORD A ASM.				*		1	
12		40005976		AC INPUT 1-PHASE CORD A ASM.				*		1	
13		40005977		AC INPUT 1-PHASE CORD ASM.	FOR JE			*		1	
14		40005979		REGENERATIVE RESISTANCE A ASM.	FOR USE IN JAPAN(3--PHASE), J-US(3-PHASE), GENERAL EXPORT(1-PHASE)			*		1	
15		40016435		FAN ASSY 130	FOR USE IN JAPAN(3--PHASE), J-US(3-PHASE)			*		1	
16		40016435		FAN ASSY 130	FOR GENERAL EXPORT(1-PHASE),JE			*		1	
17		40005980		PEDAL SENSOR UNIT A ASM.				*		1	
18		40016436		CEREACTION ASSY				*		1	
19		HA004250000		SWITCH						1	
20		M90175800A0		POWER CABLE ASM.						1	
21		M90245800A0		POWER CABLE ASM.,100V						1	
22	R	40016702	40016703	PEDAL SENSOR ASSY						1	1.00
23		40017738		KNEE SWITCH CORD ASSY						1	
24		40010034		IP-200C_SET						1	
25		40017737		FEEDER MOTOR CORD ASSY						1	
26		40015794		ASSIST FEEDER MOTOR CORD ASSY						1	
27		40015795		UPPER FEEDER FAN CORD ASSY						1	
28		40015796		LOWER FEEDER FAN CORD ASSY						1	
29		40017740		MAIN FRAME RELAY CORD 1 ASSY						1	
30		40017741		MAIN FRAME RELAY CORD 2 ASSY						1	
31		40017739		FOOT LIFTER CORD ASSY						1	
32		40017742		EARTH CORD ASSY						1	
33		KM000000350		PULSE MOTOR						1	
34		KM000000350		PULSE MOTOR						1	
35		HM001940000		STEPPING MOTOR						1	

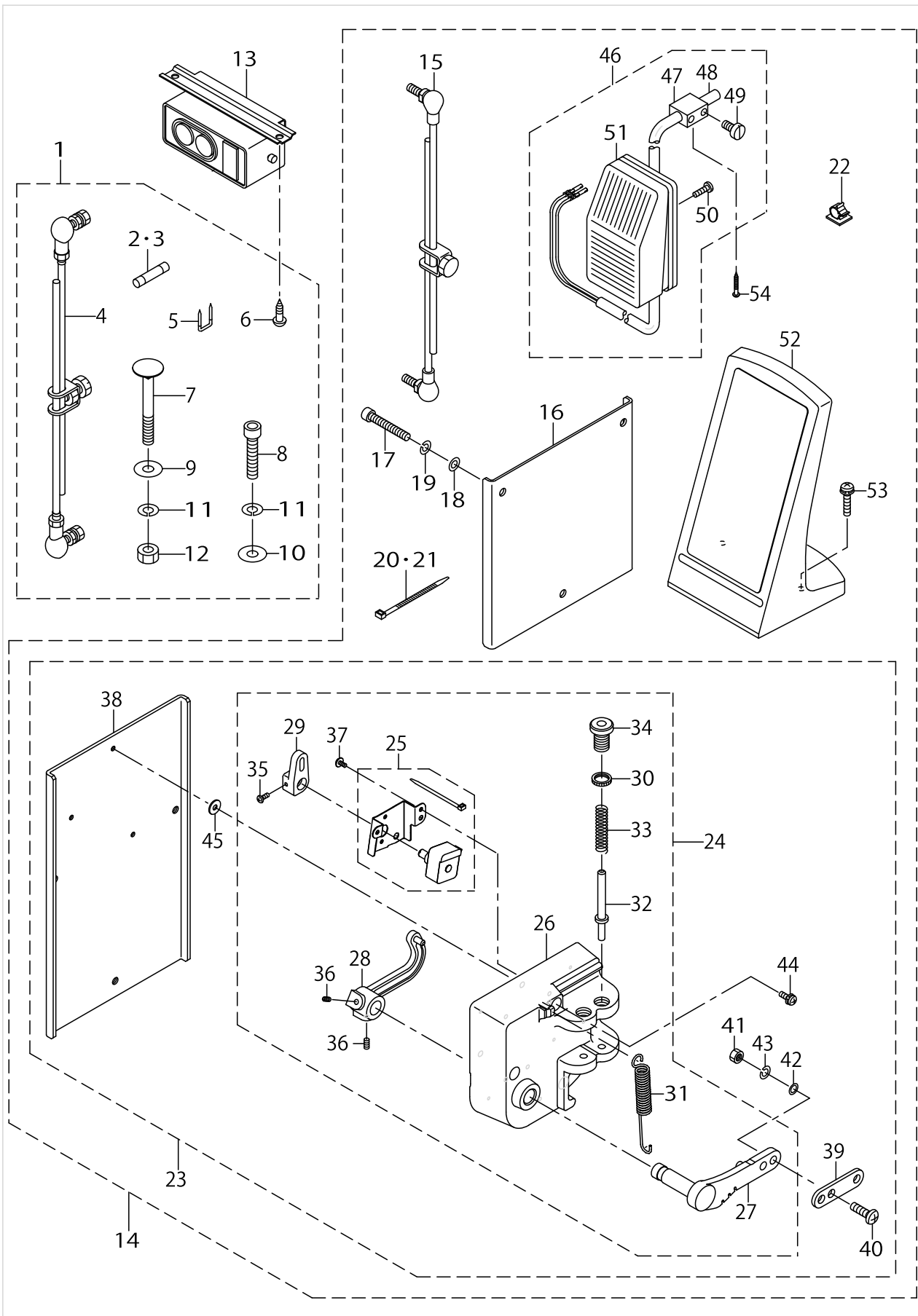
WIRING DIAGRAM



WIRING DIAGRAM

No.	Supply Code	Parts No.	Replacement	Parts name	Remarks	Choice	Step	Level	Cons	Qty	Rep. QTY
36		KM000000470		AC SERVO MOTOR						1	
37		40005402		HEAD FAN MOTOR A ASS'Y						1	
38		40005402		HEAD FAN MOTOR A ASS'Y						1	
39		40016908		AT_SOLENOID						1	
40		40014098		OPTION_SWITCH_ASSY						1	
41		40017612		SOLENOID_UNIT						1	
42		23638554		SAFETY SWITCH CORD ASM.						1	
43		40017823		SOLENOID						1	
44		40017744		DATA PCB ASSY						1	
45		40057937		IP-310C COMPLETE						1	

CONTROL BOX ACCESSORIE PART COMPONENTS

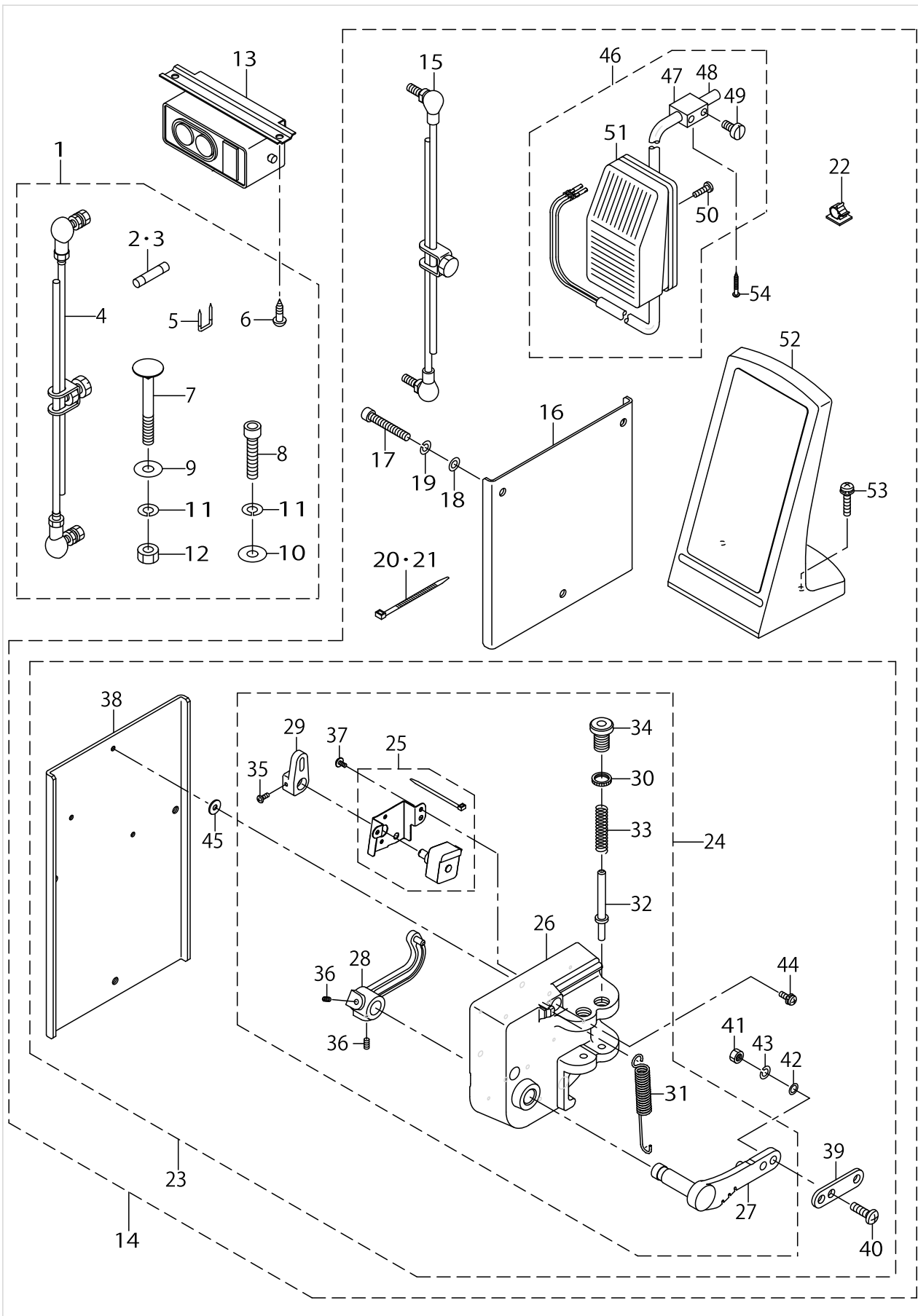


CONTROL BOX ACCESSORIE PART COMPONENTS

No.	Supply Code	Parts No.	Replacement	Parts name	Remarks	Choice	Step	Level	Cons	Qty	Rep. QTY
1		40018344		OPTION A ASSY						1	
2		HF0013020P0		FUSE 2A				*		1	
3		HF001301000		TIMING LAG FUSE				*		1	
4		22958458		CONNECTING ROD ASM. B				*		1	
5		MA011532000		CORD STAPLE				*		3	
6		SK3512001SE		WOOD SCREW D=5.1 L=20				*		2	
7		MTSHJ100003		BOLT				*		2	
8		SM6084002TN		SCREW M8 L=40				*		1	
9		WP0852086SC		WASHER M8				*		2	
10		WP0841601SC		WASHER 8.4X17.4X1.6				*		1	
11		WS0820002KR		SPRING WASHER, M8				*		3	
12		NM6080002SC		NUT M8				*		2	
13		HA004250000		SWITCH	FOR USE IN JAPAN(3-PHASE), J-US(3-PHASE), GENERAL EXPORT(1-PHASE)					1	
14		40008175		OPTION B ASSY						1	
15		12949657		CONNECTING ROD ASM.				*		1	
16		40013084		SENSOR_PLATE_B				*		1	
17		SM6064002TN		HEXAGONAL-HOLE BOLT				*		3	
18		WP0641600SC		WASHEW6.4X12.5X1.6				*		3	
19		WS0610002KN		SPRING WASHER 6.1X12.2X1.5				*		3	
20		HX00065000A		CABLE CLIP				*		2	
21		EA9500B0100		CABLE BAND				*		4	
22		E9607603000		STICKER (SMALL)				*		1	
23		40016703		PEDAL_SENSOR_UNIT				*		1	
24	R	40016702	40016703	PEDALSENSORASSY				*		1	1.00
25	R	40018124	40016703	SENSOR INSTALLING PLATE ASSY				*		1	1.00
26		M4001461000		PEDALSENSORBASE				*		1	
27		M4002461000		PEDAL LEVER				*		1	
28	R	M4004461000	40006204	PEDAL RING				*		1	1.00
29		M4005461000		VOLUME LINK				*		1	
30		M2010110000		ADJUST NUT				*		1	
31		M4007351000		FRONT SPRING				*		1	
32	D	M4008351000		SPRING SHAFT A				*		1	
33		M4011351000		SPRING B				*		1	
34		M4012351000		ADJUST SCREW				*		1	
35		SM4030801SF		SCREW M3X0.5 L=8				*		1	
36		SM8040802TP		SCREW M4X8				*		2	
37		SV4030601SR		SCREW M3 L=6				*		2	
38		40013083		SENSOR_PLATE_A				*		1	
39		40013094		PEDAL_LEVER_PLATE				*		1	
40		SM4062001SC		SCREW M6 L=20				*		2	
41		NM6060001SC		NUT M6				*		2	
42		WP0621026SP		WASHER 6.2X9.5X1				*		2	
43		WS0631510KP		SPRING WASHER				*		2	



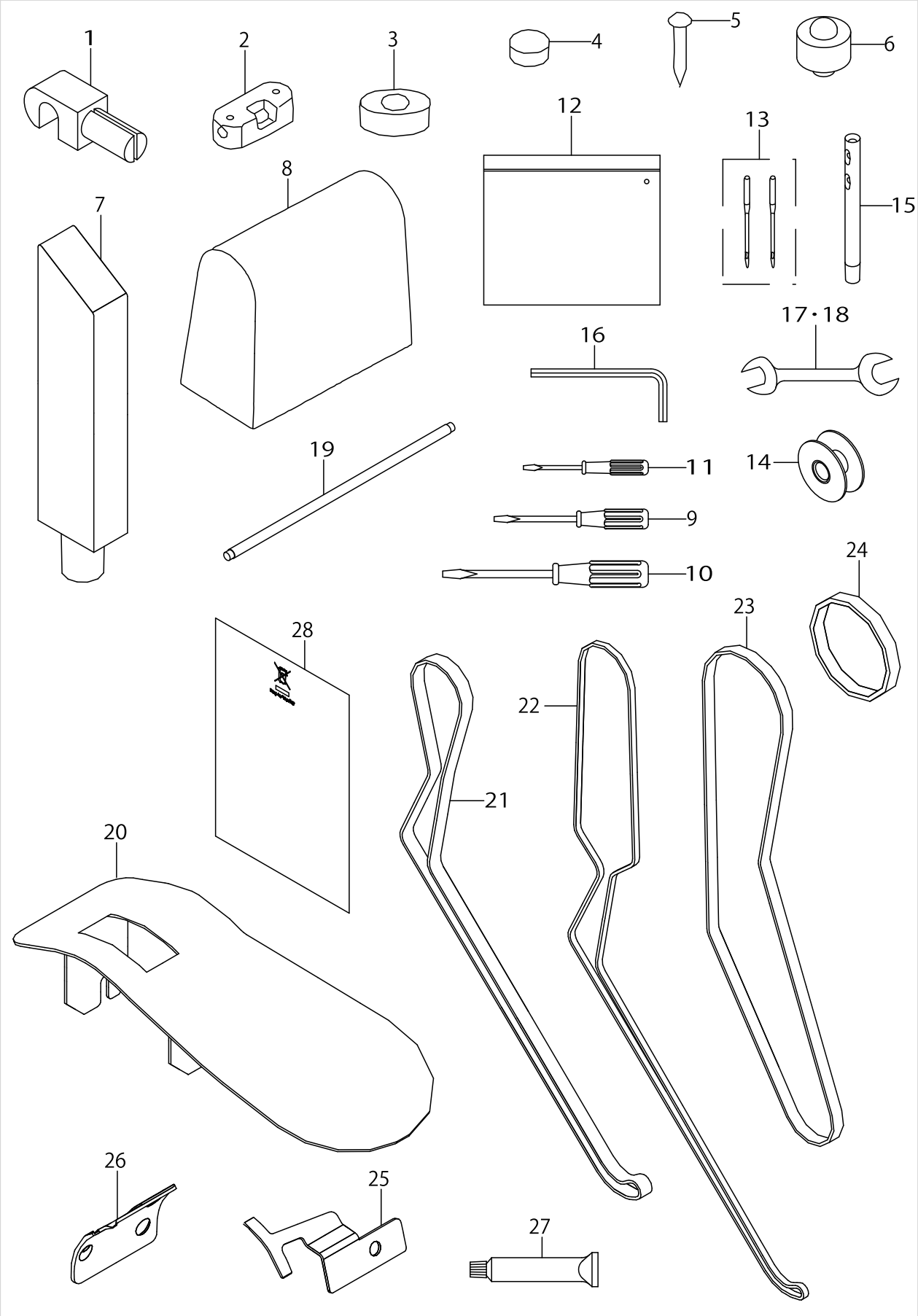
CONTROL BOX ACCESSORIE PART COMPONENTS



CONTROL BOX ACCESSORIE PART COMPONENTS

No.	Supply Code	Parts No.	Replacement	Parts name	Remarks	Choice	Step	Level	Cons	Qty	Rep. QTY
44		SL4041281SC		SCREW M4X0.7 L=12				*		3	
45		WP0431005SP		PLAIN WASHER 4.3X12X1				*		3	
46		40015806		KNEE SWITCH A ASSY				*		1	
47		MAT80230T00		KNEE SWITCH SUPPORT BASE				*		2	
48		MAT80231T00		DRIVING BAR, T002				*		1	
49		SS6151220SP		SCREW 15/64-28 L=11.5				*		4	
50	R	SS7111410SP	SS7111410TP	SCREW 11/64-40 L=14				*		2	1.00
51		40017738		KNEE SWITCH CORD ASSY				*		1	
52		40019976		OPERATION_BOX_FIXED_PLATE_ASM.				*		1	
53		SL4052581SC		SCREW M5 L=25				*		2	
54		SK3413201SE		WOOD SCREW D=4.1 L=32				*		2	

ACCESSORIE PART COMPONENTS



ACCESSORIE PART COMPONENTS

No.	Supply Code	Parts No.	Replacement	Parts name	Remarks	Choice	Step	Level	Cons	Qty	Rep. QTY
1		B8213012000		BED HINGE CONNECTION						2	
2		10529600		WASHER						2	
3		B8209012000		RUBBER CUSHION						2	
4		B8206012000		FELT CUSHION						2	
5		10539906		SET NAIL						6	
6		40016194		FREAM_SUPPORT_RUBBER						2	
7		10528800		FRAME SUPPORT BAR						1	
8		40048536		HEAD_COVER						1	
9		22933006		SCREW DRIVER,LARGE						1	
10		22933105		SCREW DRIVER,MIDDLE						1	
11		22933204		SCREW DRIVER,SMALL						1	
12		22932800		ACCESSORIE BAG						1	
13		MDP170B1102		NEEDLE DPX17#11-2						1	
14		22964001		BOBBIN A						1	
15		22502504		THREAD GUIDE BAR						1	
16		B9141372000		HEXAGONAL WRENCH, LARGE						1	
17		B9143372000		WRENCH (7.1 X 8.1)						1	
18		B9113012000		WRENCH (9X10)						1	
19		D8115555B00		PEDAL SHAFT						1	
20		40013198		SUPPORT_PLATE						1	
21		40016900		TIMING_BELT_6.7						1	
22		40016901		TIMING_BELT_2.7						1	
23		40017608		TIMING_BELT						2	
24		40012951		BELT_ROLLER						2	
25		40012685		COUNTER_KNIFE						1	
26		40017611		MOVING_KNIFE						1	
27		40006323		JUKI GREASE A TUBE						1	
28		CM600100201		WEEE INFORMATION SHEET						1	



## HOW TO MAKE USE OF THIS PARTS LIST

### 1.Explanation of codes

1)"\*"mark.....means this part is changed from the previous parts book.

As to the details of the change, refer to the "List for information of change".

2)"#01".....refer to "Note" explanation at bottom of page.

### 2.Codes on the "Qty" column

- Each numeral indicates the number of parts required.
- "0.1" and "2.5" indicate the length (in meters) of the respective parts.

3.Parentheses mean that the corresponding part is a subpart that constructs an assembly part.

4.Dotted lines on the Figures indicate assembly parts.

5.As to the parts with marks of "☆"(consumable parts) and "◎"(optional parts)on the respective parts, it is recommended to prepare spares.

### 1 ."注記"欄の記号説明

1) "\*"印.....前回のパーツブックに比較して今回変更された部品を意味します。

変更内容は、"変更情報リスト"を参照してください。

2) "#01".....ページ下の"注記"の説明を参照してください。

2.数量欄の数字は、個数を表し、0.1、2.5等の数値は、長さ（単位メートル）を表します。

3.数量欄の（ ）は、組部品を構成している子部品であることを意味します。

4.イラストページの-----枠は、組構成であることを意味します。

5.リストページの"☆"（消耗部品）、"◎"（オプション部品）の印がついた部品は、予備を準備しておくことをお奨めします。

# NUMERICAL INDEX OF PARTS

PART NO	PAGE	REF NO.	PART NO	PAGE	REF NO.	PART NO	PAGE	REF NO.
10004109	2	36	17845009	44	13	23604168	8	14
10013019	16	35	22502504	58	15	23604200	8	2
10112704	16	31	22886808	8	26	23604408	8	12
10502300	36	30	22890008	28	75	23608003	8	27
10523702	32	38	22890305	30	92	23608706	14	59
10528800	58	7	22891204	8	9	23609001	14	73
10529600	58	2	22901409	2	11	23609209	12	12
10539906	58	5	22902506	2	3	23610306	14	65
11043304	14	61	22906309	8	28	23618705	28	69
11043304	32	27	22906408	8	20	23618804	28	67
11072402	36	25	22906457	8	19	23620305	28	95
11110707	34	6	22907406	12	11	23620305	30	95
11141207	8	23	22907604	14	66	23620404	28	76
11155108	40	34	22920607	34	39	23620503	28	65
11155207	40	35	22921605	34	25	23620750	28	77
11155751	40	4	22930309	38	14	23622061	8	4
11155801	40	3	22930358	38	1	23622400	8	6
11156007	40	2	22930408	38	10	23624505	32	32
11157559	40	7	22930507	38	9	23624554	32	31
11157666	40	8	22930556	38	15	23626104	34	37
11157765	40	9	22930705	38	7	23626203	8	29
11157963	40	10	22930804	38	5	23629900	2	27
11158060	40	11	22930903	38	4	23631708	6	32
11158300	40	12	22931000	38	3	23631807	6	33
11158409	40	13	22931109	38	2	23631906	6	34
11158516	40	20	22931307	38	11	23636400	10	47
11158607	40	14	22931406	38	8	23636657	36	24
11158706	40	31	22932800	58	12	23638000	6	2
11158805	40	22	22933006	58	9	23638059	6	1
11158904	40	23	22933105	58	10	23638109	6	3
11159001	40	26	22933204	58	11	23638208	6	4
11305513	34	41	22945414	34	31	23638307	6	5
11352408	32	6	22945463	34	30	23638406	6	6
11352507	32	15	22945505	34	34	23638554	6	7
11352606	32	10	22945604	34	32	23638554	52	42
11352705	32	22	22945703	34	35	23640006	4	58
11353406	32	17	22945802	34	33	26260109	36	2
11353604	30	89	22950950	30	90	26260208	36	3
11354404	32	11	22951404	32	30	26260307	36	4
11404308	34	42	22958458	54	4	26260406	36	5
12949657	54	15	22964001	58	14	26260505	36	6
13522206	26	40	23540909	6	36	26260604	36	7
13706700	36	31	23600505	2	5	26260802	36	8
14113450	36	26	23601305	2	26	26261008	36	9
17007402	40	15	23604119	8	15	26261206	36	10

# NUMERICAL INDEX OF PARTS

PART NO	PAGE	REF NO.	PART NO	PAGE	REF NO.	PART NO	PAGE	REF NO.
26261305	36	11	40005987	46	42	40012705	28	73
26261503	36	12	40005987	50	9	40012709	26	12
26261602	36	13	40005991	44	2	40012840	12	32
26261701	36	14	40006002	44	34	40012842	12	33
32009805	16	24	40006003	44	36	40012853	12	1
40000046	44	19·20	40006323	58	27	40012854	14	55
40000046	50	6·7	40008173	50	1~3	40012855	14	48
40000056	44	19·20	40008175	54	14	40012861	12	3
40000056	50	6·7	40008187	44	15	40012862	12	29
40000130	48	1	40008187	50	4	40012863	12	30
40000131	48	2	40010034	50	24	40012864	14	58
40000132	48	3	40010434	8	8	40012865	14	51
40000133	48	4	40010477	34	2	40012867	14	67
40000134	48	5	40010478	34	24	40012915	16	23
40000135	48	6	40010508	34	15	40012916	16	22
40000136	48	7	40010509	34	16	40012917	16	27
40000137	48	8	40010510	34	17	40012918	16	10
40000138	48	9	40010511	34	18	40012919	16	2
40000139	48	11	40010512	34	19	40012920	16	1
40000140	48	12	40010513	34	20	40012922	26	30
40000141	48	14	40010514	34	21	40012923	26	34
40000142	48	15	40010515	34	22	40012926	26	32
40000143	48	16	40010521	34	26	40012927	32	2
40000144	48	17	40010522	34	27	40012928	32	3
40000146	48	20	40010523	34	28	40012930	32	36
40000148	48	21	40011144	36	15	40012931	26	5
40003451	44	1	40011359	34	23	40012932	26	9
40003453	44	3	40012035	8	1	40012934	28	74
40003458	46	65	40012663	2	45	40012935	26	13
40005402	2	32	40012664	4	47	40012936	26	8
40005402	52	38	40012665	2	15	40012937	26	38
40005404	44	32	40012666	2	16	40012938	26	3
40005974	44	24	40012667	6	25	40012939	26	7
40005974	50	10	40012669	8	37	40012940	26	10·50
40005975	44	39~41	40012671	8	38	40012942	2	22
40005975	50	11~13	40012673	16	43	40012943	2	23
40005976	44	39~41	40012677	16	34	40012944	2	19
40005976	50	11~13	40012682	16	33	40012945	2	18
40005977	46	39~41	40012685	26	25	40012946	4	54
40005977	50	11~13	40012685	58	25	40012948	2	41
40005979	44	25	40012686	26	26	40012949	4	53
40005979	50	14	40012687	32	4	40012951	26	15
40005980	46	43	40012690	28	62	40012951	58	24
40005980	50	17	40012692	28	72	40012952	28	55
40005981	46	45	40012700	28	63	40012953	28	56



# NUMERICAL INDEX OF PARTS

PART NO	PAGE	REF NO.	PART NO	PAGE	REF NO.	PART NO	PAGE	REF NO.
40012954	28	58	40016703	54	23	40016935	6	18
40012955	26	20	40016713	22	86	40016936	6	20
40012956	26	16	40016871	20	2	40016937	6	21
40012957	26	17	40016872	20	3	40016938	6	22
40012959	26	21	40016873	20	7	40016939	6	24
40012961	26	19	40016874	20	10	40016940	6	15
40012962	12	20	40016875	20	13	40016951	2	37
40012963	12	6	40016876	20	15	40017589	8	43
40012964	12	7	40016877	20	16	40017591	8	46
40012965	12	8~10	40016878	20	25	40017593	12	22
40012966	14	54	40016879	20	18	40017594	12	36
40012967	12	5	40016880	20	19	40017596	12	39
40013083	54	38	40016881	20	21	40017598	12	41
40013084	54	16	40016882	20	24	40017600	14	60
40013085	40	45	40016883	20	26	40017601	14	62
40013086	42	46	40016884	20	31	40017602	14	70
40013087	42	47	40016885	20	35	40017603	16	9
40013088	42	48	40016886	20	39	40017604	16	37
40013092	40	1	40016887	20	44	40017605	16	38
40013093	42	50·51	40016888	20	46	40017606	16	39
40013094	54	39	40016890	22	51	40017607	28	57
40013126	40	39	40016891	22	55	40017608	28	60
40013172	2	1	40016892	22	56	40017608	58	23
40013173	2	7	40016893	22	57	40017609	28	51
40013174	2	9	40016894	22	58	40017610	28	46
40013175	6	30	40016895	22	60	40017611	26	29
40013198	4	49	40016896	22	62	40017611	58	26
40013198	58	20	40016897	22	63	40017612	32	23
40014098	6	29	40016898	22	64	40017612	52	41
40014098	52	40	40016900	22	66	40017615	32	5
40014170	40	6	40016900	58	21	40017616	30	93
40014254	42	50·51	40016901	22	67	40017619	26	37
40014837	36	16	40016901	58	22	40017630	42	55
40015522	42	54	40016902	2	30	40017675	32	37
40015794	50	26	40016903	22	87	40017676	42	52
40015795	50	27	40016904	22	89	40017696	40	41
40015796	50	28	40016905	22	80	40017697	40	43
40015806	56	46	40016906	22	91	40017733	50	1~3
40016194	58	6	40016908	34	1	40017734	50	1~3
40016435	44	27	40016908	52	39	40017736	44	17
40016435	50	16	40016909	34	5	40017736	50	5
40016436	46	64	40016910	34	8	40017737	50	25
40016436	50	18	40016911	34	11	40017738	50	23
40016702	50	22	40016933	6	16	40017738	56	51
40016702	54	24	40016934	6	17	40017739	50	31

# NUMERICAL INDEX OF PARTS

PART NO	PAGE	REF NO.	PART NO	PAGE	REF NO.	PART NO	PAGE	REF NO.
40017740	50	29	40133275	32	24	CM600100101	4	51
40017741	50	30	A3906010000	48	22	CM600100201	58	28
40017742	50	32	A39500100A0	48	19	CS0800971TP	16	6
40017743	44	38	B1116804000	12	4	CS1201171TP	28	85
40017743	50	8	B1414555000	8	22	CS1701011SZ	16	21
40017744	52	44	B1432761000	16	46	D2468555B00	16	19
40017755	26	1·2	B1432761000	32	14	D2588L8WB00	32	12
40017756	2	21	B1453761000	16	45	D7133555B00	36	28
40017757	8	36	B1453771000	32	13	D8113555B00	40	25
40017759	16	36	B1513210D00	16	17	D8115555B00	58	19
40017760	20	1	B1515210D00	16	18	D8204555D00	40	37
40017794	12	8~10	B1636581A00	12	14~17	E2067715000	28	86
40017795	12	8~10	B1636581B00	12	14~17	E2613700000	20	22
40017823	16	13	B1636581C00	12	14~17	E9567319000	46	63
40017823	52	43	B1636581D00	12	14~17	E9607603000	54	22
40017831	22	47	B1652210D00	16	16	EA9500B0100	6	39
40017832	22	48	B3008141H00	12	24	EA9500B0100	54	20·21
40018058	6	12	B3009141H0A	12	25	G5523880000	16	20
40018124	54	25	B3010141H00	12	26	G6505880000	16	26
40018344	54	1	B3033141H00	12	45	GPF01016000	40	28
40018458	6	31	B3034141H00	12	44	GPF06017000	40	27
40019398	22	73	B3035141H00	12	43	GPF060600A0	40	24
40019593	22	76	B3036141H00	12	46	GPF06080000	40	32
40019594	24	96	B3126012000	36	27	HA004250000	50	19
40019605	24	94	B3406180000	28	64	HA004250000	54	13
40019976	56	52	B3417180000	22	49	HF001301000	54	2·3
40021363	6	27	B81085550A0	40	18	HF0013020P0	54	2·3
40023021	36	1	B8112552000	40	30	HK016590060	6	37
40023022	36	17	B8206012000	58	4	HK034610020	16	14
40035301	22	50	B8209012000	58	3	HK034610040	6	14
40036120	22	65	B8213012000	58	1	HK03464000B	32	34
40039946	8	34	B9113012000	58	17·18	HM000480010	44	28
40041232	6	38	B9117552A00	28	52	HM001940000	22	70
40041854	28	10·50	B9141372000	58	16	HM001940000	50	35
40043341	26	35	B9143372000	58	17·18	HX00065000A	54	20·21
40043705	28	48	BT0400251AB	18	49	HX00150000H	22	78
40044877	30	94	CM200100001	46	66	HX00188000D	46	59
40044906	8	11	CM300100003	46	70	HX00188000E	4	57
40046684	26	1·2	CM300100401	46	68	HX00222000A	46	62
40048536	58	8	CM300200001	2	35	HX00337000B	44	22
40051473	8	31	CM300200003	4	59	HX004070000	44	12
40051474	8	32	CM300300002	4	60	HX00410000A	44	37
40056602	2	14	CM300400601	46	69·71	HX005110000	46	61
40057937	52	45	CM300400701	46	69·71	KM000000350	22	68
40065512	22	54	CM301300001	2	34	KM000000350	28	53

NUMERICAL INDEX OF PARTS

PART NO	PAGE	REF NO.	PART NO	PAGE	REF NO.	PART NO	PAGE	REF NO.
KM000000350	50	34	NM6060001SD	12	38	SD0800756TH	12	52
KM000000470	8	30	NM6080002SC	44	10	SD0800756TH	14	52
KM000000470	52	36	NM6080002SC	54	12	SD0801007TP	26	39
M2010110000	46	50	NM6100003SC	4	55	SD0850756TH	12	37
M2010110000	54	30	NM6100003SC	8	42	SK1382501SE	42	49
M3801476000	44	6	NM6120001SE	40	19	SK3311600SC	40	36
M4001461000	46	46	NM6160511SE	38	18	SK3381601SC	40	44
M4001461000	54	26	NS6110310SP	32	9	SK3382001SC	40	5
M4002461000	46	47	NS6110530SP	36	29	SK3413201SE	56	54
M4002461000	54	27	NS6120310SP	32	21	SK3512001SE	54	6
M4004461000	46	48	NS6150430SP	18	47	SK3513200SC	40	38
M4004461000	54	28	NS6150430SP	32	19	SL4030691SC	48	10
M4005461000	46	49	NS6660410SH	32	28	SL4030881SC	48	18
M4005461000	54	29	NS6660430SP	32	29	SL4030891SC	22	90
M4007351000	46	51	NS6680320SP	14	47	SL4032081SC	22	75
M4007351000	54	31	PC022404000	16	15	SL4033091SC	44	31
M4008351000	54	32	PJ032052503	18	48	SL4040691SC	24	93
M4008351000A	46	52	RC0560711KP	36	18	SL4040881SC	44	21
M4009351000A	46	53	RC1200001KP	8	39	SL4040891SC	2	31
M4011351000	46	55	RC1600002KP	26	44	SL4040891SC	22	95
M4011351000	54	33	RC2200002KP	26	45	SL4040891SC	24	95
M4012351000	46	56	RE0400000K0	36	19	SL4040891SC	34	4
M4012351000	54	34	RE0400000KP	20	40	SL4040891SC	44	67
M4206461000	44	11	RE0600000K0	32	8	SL4040891SC	46	67
M90175800A0	50	20·21	RO037180100	16	41	SL4041091SC	6	10
M90245800A0	50	20·21	RO080150200	2	28	SL4041091SC	44	14
MAO11532000	54	5	SB108000100	28	47	SL4041281SC	56	44
MAT80230T00	56	47	SB108000400	28	49	SL4041681SF	46	58
MAT80231T00	56	48	SB108000700	16	4	SL4041691SC	34	7
MDP170B1100	8	24	SB112000600	28	80	SL4043591SC	44	29
MDP170B1102	58	13	SB112000700	28	81	SL4052581SC	56	53
MTSHJ100003	54	7	SB112001500	8	40	SL6030642TN	20	9
NM3040520SF	44	30	SB120000800	8	10	SL6031242TN	6	23
NM6020001SC	34	10	SB120000900	10	49	SL6032092TN	34	12
NM6030001SC	34	14	SB120001000	28	68	SL6041092TN	14	49
NM6030002SN	22	53	SB125000300	26	24	SL6041292TN	22	71
NM6040000SN	32	26	SB305000100	14	50	SL6042092TN	22	72
NM6040001SC	22	82	SB307000200	8	5	SL6042092TN	28	59
NM6050001SC	2	44	SB408000200	26	33	SL6051292TN	6	40
NM6050001SC	16	28	SD0500205TH	26	28	SL6051292TN	26	18
NM6050001SC	20	43	SD0500256TH	32	1	SL6051492TN	2	17
NM6050001SC	32	41	SD0600271SP	2	38	SL6051492TN	6	28
NM6050001SE	38	17	SD0640325SP	32	20	SL6051692TN	2	10
NM6060001SC	26	41	SD0750946TH	12	42	SL6052592TN	10	50
NM6060001SC	54	41	SD0800426TP	16	25	SL6054592TN	2	42

# NUMERICAL INDEX OF PARTS

PART NO	PAGE	REF NO.	PART NO	PAGE	REF NO.	PART NO	PAGE	REF NO.
SL6061692TN	16	44	SM6050802TP	14	68	SS8110422TP	10	48
SL6062092TN	4	52	SM6050802TP	32	39	SS8110520TP	28	91
SL6062092TN	8	45	SM6051202TP	14	56	SS8110520TP	30	91
SL6063092TN	28	82	SM6051402TP	14	53	SS8660610TP	8	18
SL6063092TN	40	42	SM6051602TP	12	2	SS8660610TP	32	18
SL6082092TN	42	57	SM6051802TP	16	29	SS8660810TP	28	78
SL6084092TN	42	56	SM6061200SP	22	84	SS8661030SP	28	66
SL9061291SE	40	33	SM6061200SP	32	35	SS8681650TP	8	17
SL9082091SE	40	29	SM6061610SC	38	6	SS9661120CP	12	27
SM0020401SC	20	14	SM6064002TN	54	17	SV4030601SR	46	54
SM0040801SC	2	48	SM6083502TN	44	7	SV4030601SR	54	37
SM0040801SC	4	48	SM6084002TN	54	8	TA0550604R0	48	13
SM0051201SC	36	34	SM6850802TN	26	6	TA0750404R0	12	21
SM0061601SC	42	53	SM8030412TP	34	3	TA0750704R0	12	35
SM1040652TP	26	31	SM8040412TP	12	13	TA0850604R0	2	12
SM1040852TP	20	34	SM8040802TP	22	61	TA1250406R0	2	13
SM4020401SC	6	13	SM8040802TP	28	61	TA1250705R0	2	29
SM4021201SC	6	9	SM8040802TP	36	21	TA1450404R0	2	40
SM4030401SC	36	33	SM8040802TP	46	44	WP0320500SC	26	23
SM4030801SF	46	57	SM8040802TP	54	36	WP0320501SC	6	19
SM4030801SF	54	35	SM8050502TP	16	8	WP0320501SC	34	13
SM4031201SN	22	52	SM8050502TP	36	22	WP0371026SD	34	43
SM4042501SC	2	33	SM8050552TP	34	36	WP0430800SC	20	12
SM4051055SP	2	8	SM8050612TP	28	84	WP0430800SC	32	25
SM4051405SE	38	12	SM8060602TP	12	31	WP0430801SC	14	72
SM4060801SE	36	32	SM8060612TP	12	34	WP0430801SC	16	40
SM4062001SC	54	40	SM8060612TP	26	14	WP0430801SC	20	97
SM5040655SN	34	40	SM8060812TP	8	35	WP0430801SC	22	97
SM5040655SN	36	20	SM8060812TP	16	32	WP0430801SC	24	97
SM5040855SN	20	45	SM8060812TP	28	87	WP0431005SP	56	45
SM5041055SN	2	24	SM80608A2TP	8	33	WP0450826SC	2	25
SM6020350SP	20	20	SM8061212TP	8	7	WP0450826SC	36	23
SM6020350SP	26	36	SM9030650SN	6	26	WP0451016SP	4	50
SM6030510SC	26	22	SM9061403SE	24	98	WP0482086SD	16	12
SM6030602TP	12	18	SS6090670TP	8	21	WP0531001SC	2	43
SM6040600SP	26	27	SS6110650TP	30	96	WP0531001SC	16	30
SM6040602TP	22	74	SS6111610SP	16	11	WP0531001SC	32	40
SM6040650TP	26	11	SS6151220SP	56	49	WP0550800SP	14	69
SM6040802TN	20	36	SS6151412TP	12	23	WP0611626SP	26	42
SM6040802TN	26	4	SS6660610TP	28	88	WP0612056SD	16	3
SM6040802TP	14	71	SS7080510TP	8	25	WP0621016SD	20	41
SM6041000SP	14	63	SS7110740TP	6	35	WP0621026SP	54	42
SM6041402TP	28	54	SS7110740TP	32	33	WP0641600SC	54	18
SM6041602TP	16	42	SS7111410SP	56	50	WP0641601SC	12	28
SM6042002TN	20	11	SS7681650TP	8	16	WP0641601SC	22	85

NUMERICAL INDEX OF PARTS

PART NO	PAGE	REF NO.
WP0820516SP	16	5
WP0841601SC	44	9
WP0841601SC	54	10
WP0850002SP	16	7
WP0852086SC	54	9
WP1052001SC	4	56
WP1052001SC	8	41
WP1302501SE	40	16
WP1612616SE	38	19
WS0410002KN	20	37
WS0510002KN	20	42
WS0510002KN	38	16
WS0610002KN	54	19
WS0610002KP	26	43
WS0631510KP	54	43
WS0820002KR	44	8
WS0820002KR	54	11
WS1253010KN	40	17
WS1643202KR	38	20
WZ0620550KP	2	39