

MODEL : AMS-210Eエア-セット

List No : 1452-03

# PARTS LIST

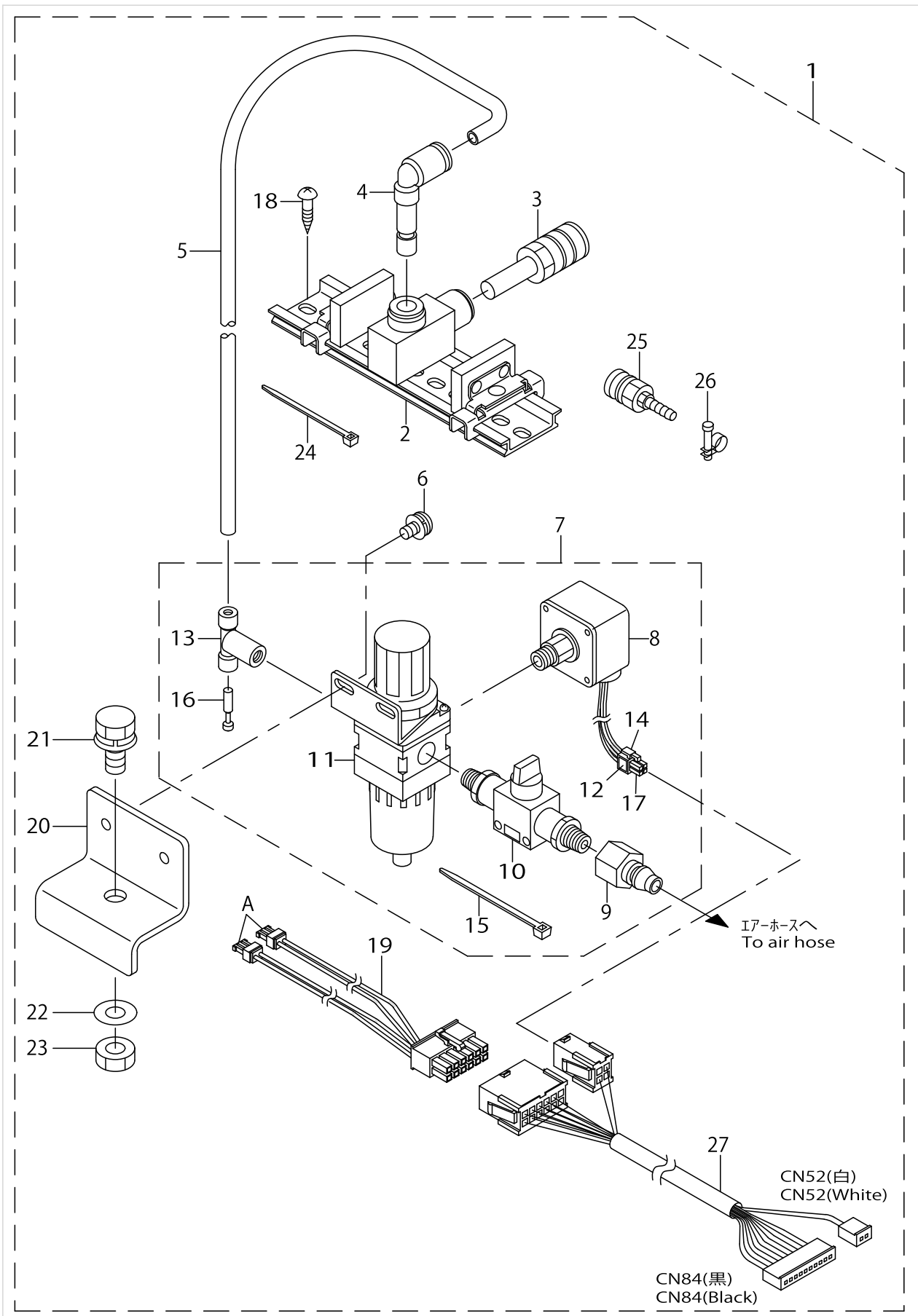
Published:05/12/2017

## CONTENTS

---

AMS-210E AIR UNIT ASM.....	1
HOW TO MAKE USE OF THIS PARTS LIST .....	3

AMS-210E AIR UNIT ASM.



AMS-210E AIR UNIT ASM.

No.	Supply Code	Parts No.	Replacement	Parts name	Remarks	Choice	Step	Level	Cons	Qty	Rep. QTY
1		40035693		AIR UNIT ASM.						1	
2		PV915005000		SOLENOID VALVE I- NSTALLING BASE				*		1	
3		PX050003000		SILENCER				*		1	
4		PJ304060001		ELBOW				*		1	
5		BT0600401EB		TUBE				*		1.3	
6		SL4051091SC		SCREW M5X0.8 L=10				*		2	
7		40030951		FILTER_REGULATOR_ASM.				*		1	
8	R	G8124270000	G85048750A0	AIRPRESSUESWITCH		A	AVP-875	*		1	1.00
8	R	G8124270000	40030951	AIRPRESSUESWITCH		B	AMS-210E- N,AMS-221EN	*		1	1.00
8	R	G8124270000	B47152150A0	AIRPRESSUESWITCH		C	MEB-3200,- LK-1910/2- 0/30/41,AMS-224E	*		1	1.00
9		PJ025200003		PLUG				*		1	
10		PV015211000		HAND VALVE				*		1	
11		PF0552040B0		FILTER REGULATOR				*		1	
12	D	E2678453000		CONNECTOR MARKER J78				*		1	
13		PJ305065202		TEE				*		1	
14		HK034610040		HOUSING				*		1	
15		EA9500B0100		CABLE BAND				*		5	
16		PX950009000		PLUG				*		1	
17		HK034640000		PIN CONTACT				*		3	
18		SK3412001SE		WOOD SCREW D=4.1 L=20				*		2	
19		40048529		VALVE RERAY COAD ASM.				*		1	
20		40023662		FILTER INSTALLING PLATE				*		1	
21		SL9082093SE		SCREW				*		1	
22		WP0871602SE		WASHER 8.7X18X1.6				*		1	
23		NM6080721SE		NUT M8				*		1	
24		EA9500B0100		CABLE BAND				*		3	
25		PJ309520001		SOCKET				*		1	
26		PB000010000		HOSE BAND				*		1	
27		40048528		AIR RELAY CABLE ASM.				*		1	

## HOW TO MAKE USE OF THIS PARTS LIST

1.As to "#01" and "#02" refer to the "Note" given at the bottom of the respective pages.

2.Codes on the "Qty" column

- Each numeral indicates the number of parts required.
- "0.1" and "2.5" indicate the length (in meters) of the respective parts.

3.Parentheses mean that the corresponding part is a subpart that constructs an assembly part.

4.Dotted lines on the Figures indicate assembly parts.

1. リストページの# 0 1、# 0 2の印は、ページ下の"注記"の説明を参照下さい。
2. 数量欄の数字は、個数を表し、0. 1、2. 5等の数値は、長さ（単位メートル）を表します。
3. 数量欄の（ ）は、組部品を構成している子部品であることを意味します。
4. イラストページの-----枠は、組構成であることを意味します。

## NUMERICAL INDEX OF PARTS

PART NO	PAGE	REF NO.
40023662	2	20
40030951	2	7
40035693	2	1
40048528	2	27
40048529	2	19
BT0600401EB	2	5
E2678453000	2	12
EA9500B0100	2	24
G8124270000	2	8
HK034610040	2	14
HK034640000	2	17
NM6080721SE	2	23
PB000010000	2	26
PF0552040B0	2	11
PJ025200003	2	9
PJ304060001	2	4
PJ305065202	2	13
PJ309520001	2	25
PV015211000	2	10
PV915005000	2	2
PX050003000	2	3
PX950009000	2	16
SK3412001SE	2	18
SL4051091SC	2	6
SL9082093SE	2	21
WP0871602SE	2	22