

MODEL : UT31
List No : 1443-04

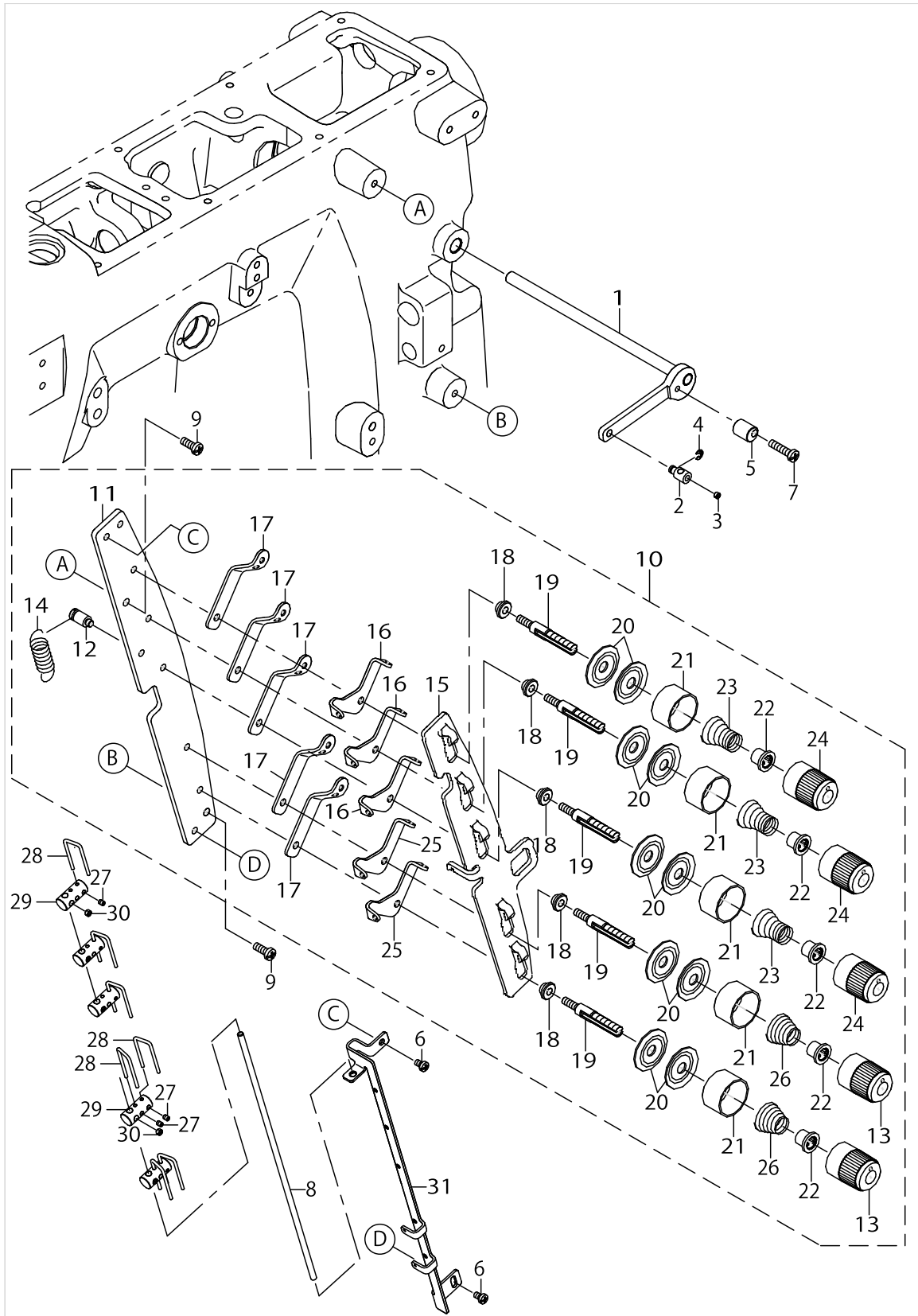
PARTS LIST

Published:05/12/2017

CONTENTS

THREAD TENSION COMPONENTS	1
MISCELLANEOUS COVER COMPONENTS.....	7
LOOPER THREAD TRIMMER COMPONENTS	9
ELECTROMAGNETIC THREAD TRIMMER DRIVE & PRESSER FEED LIFTER COMPONENTS	11
TOP COVER THREAD TRIMMER COMPONENTS	15
ACCESSORIE PART COMPONENTS	17
HOW TO MAKE USE OF THIS PARTS LIST	19

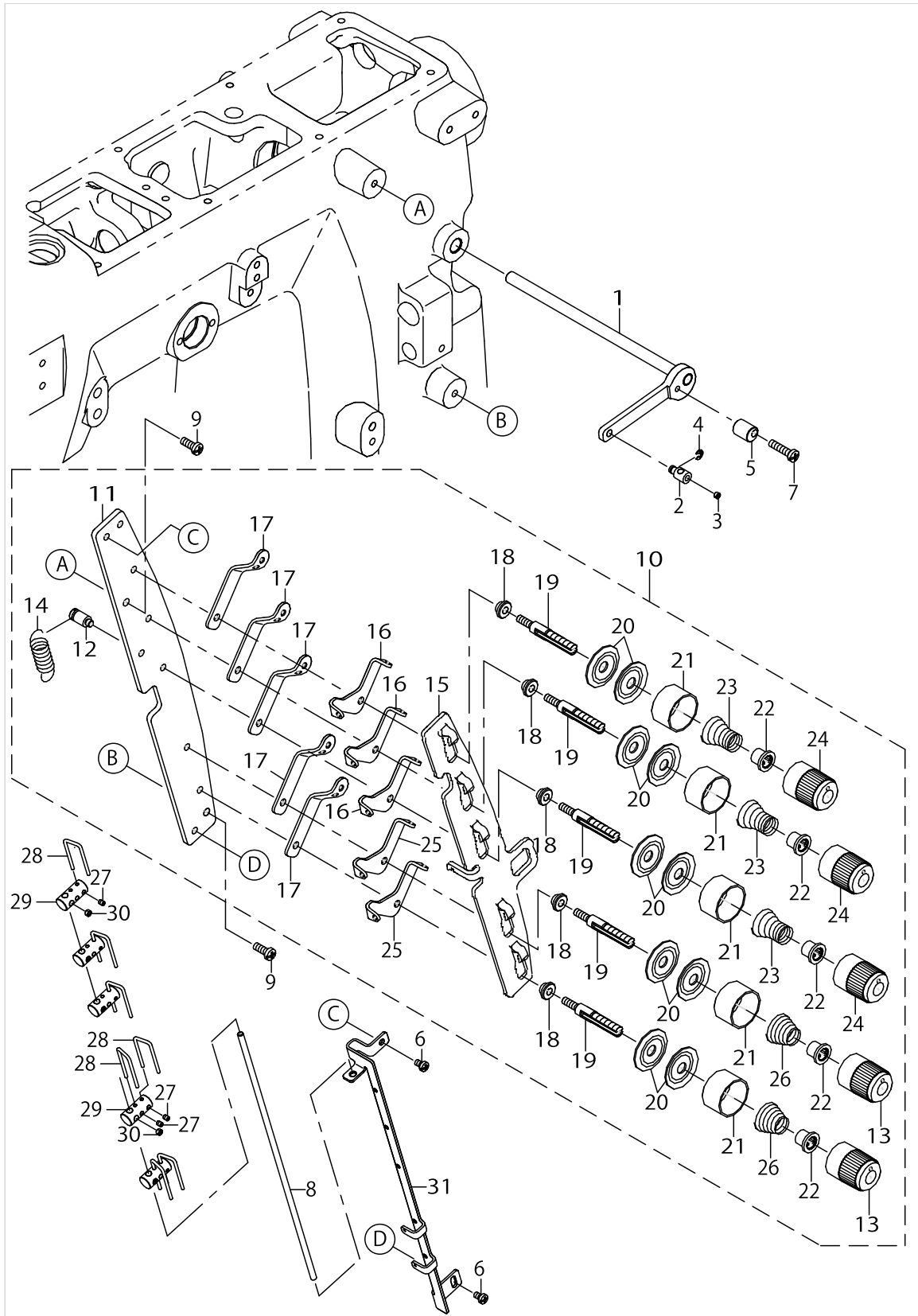
THREAD TENSION COMPONENTS



THREAD TENSION COMPONENTS

No.	Supply Code	Parts No.	Replacement	Parts name	Remarks	Choice	Step	Level	Cons	Qty	Rep. QTY
1		13456553		PULL_OFF_LEVER_ASSY						1	
2		13456405		THD_PULL_OFF_BAR_HOLDER						1	
3		SM8040360TP		SCREW						1	
4		RE0300000K0		E-RING 3						1	
5		40065785		TENS_RELEASE_ADJ_ECC						1	
6		SM4040655SP		SCREW M4 L=6						2	
7		SM4041655SP		SCREW M4 L=16						1	
8		13456108		PULL_OFF_BAR						1	
9		SM4041055SP		SCREW						2	
10		40066136		THREAD_TENSION_ASSY						1	
11		13340203		TENSION POST SUPPORT				*		1	
12		13340302		SHOULDER SCREW				*		1	
13	R	13341706	40042363	KNOB		B	糸調子ナット(緑)対策品/TENSION NUT(green) countermeasure parts	*		2	1.00
13	R	13341706	40042362	KNOB		B	糸調子ナット(緑)対策品/TENSION NUT(green) countermeasure parts	*		2	1.00
13	R	13341706	40042365	KNOB		B	糸調子ナット(緑)対策品/TENSION NUT(green) countermeasure parts	*		2	1.00
13	R	13341706	40042366	KNOB		B	糸調子ナット(緑)対策品/TENSION NUT(green) countermeasure parts	*		2	1.00
13	R	13341706	40066136	KNOB				*		2	1.00
14		B2008372000		THREAD TENSION SPRING				*		1	
15		40065784		TENSION_DISC_SEPARATOR				*		1	
16	R	13341607	40040066	TENSION_DISC_EYELET_2		B	MF-7724-U10-D60	*		3	1.00
16	R	13341607	40066136	TENSION_DISC_EYELET_2				*		3	1.00
17		13340609		THREAD LEAD IN GUIDE				*		5	
18		13340708		SPACER				*		5	
19	R	13340807	40042365	TENSION POST		B	糸調子ナット(無地)対策品/TENSION NUT(plain) countermeasure parts	*		5	1.00
19	R	13340807	40042363	TENSION POST		B	糸調子ナット(無地)対策品/TENSION NUT(plain) countermeasure parts	*		5	1.00
19	R	13340807	40042366	TENSION POST		B	糸調子ナット(無地)対策品/TENSION NUT(plain) countermeasure parts	*		5	1.00

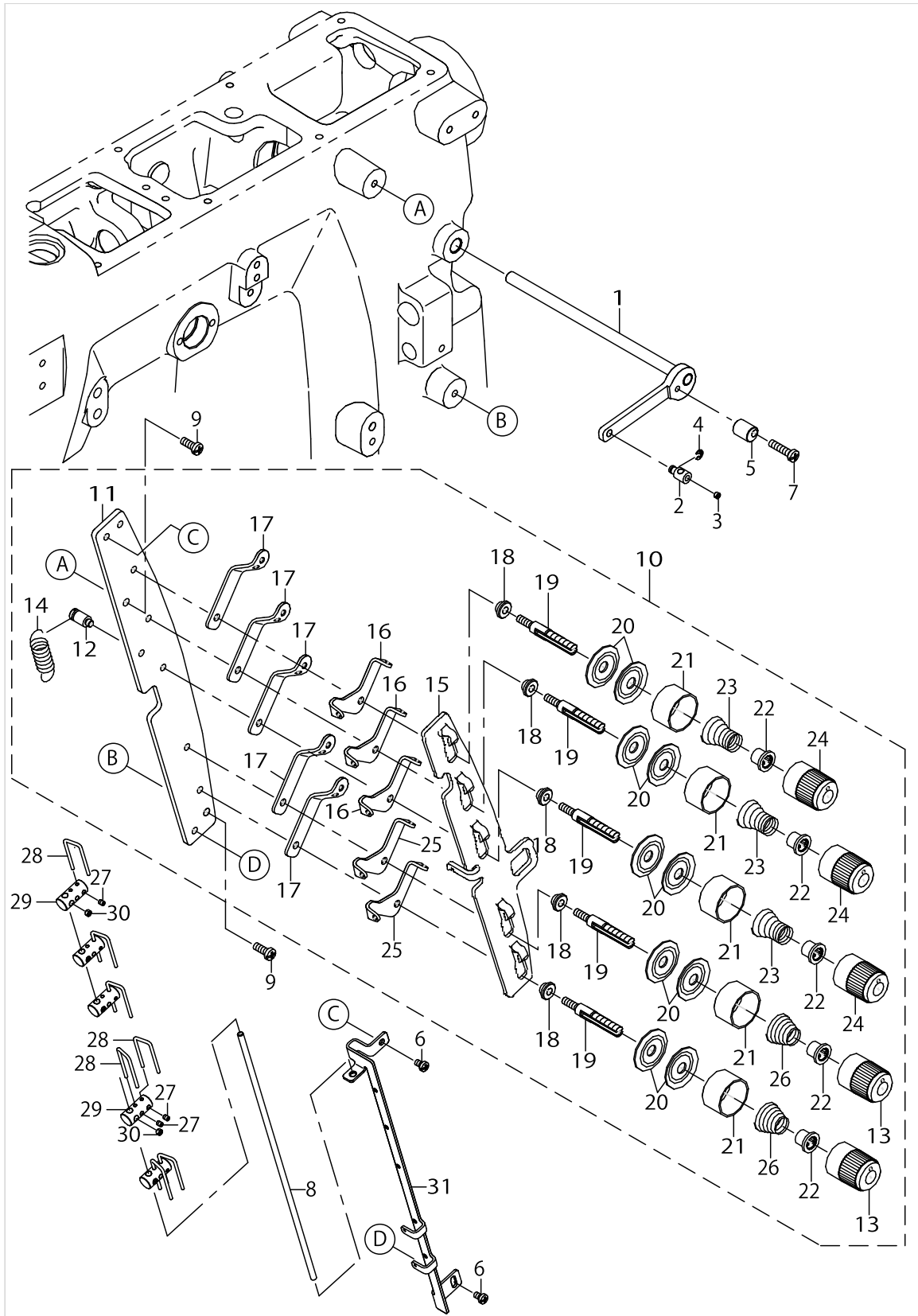
THREAD TENSION COMPONENTS



THREAD TENSION COMPONENTS

No.	Supply Code	Parts No.	Replacement	Parts name	Remarks	Choice	Step	Level	Cons	Qty	Rep. QTY
19	R	13340807	40042362	TENSION POST		B	糸調子ナット(無地)対策品/TENSION NUT(plain) countermeasure parts	*		5	1.00
19	R	13340807	40042366	TENSION POST		C	糸調子ナット(緑)対策品/TENSION NUT(green) countermeasure parts	*		5	1.00
19	R	13340807	40042364	TENSION POST		C	糸調子ナット(緑)対策品/TENSION NUT(green) countermeasure parts	*		5	1.00
19	R	13340807	40042365	TENSION POST		C	糸調子ナット(緑)対策品/TENSION NUT(green) countermeasure parts	*		5	1.00
19	R	13340807	40042362	TENSION POST		C	糸調子ナット(緑)対策品/TENSION NUT(green) countermeasure parts	*		5	1.00
19	R	13340807	40066136	TENSION POST				*		5	1.00
20		13138201		THREAD TENSION DISK				*		10	
21		13137609		THREAD TENSION DISK PRESSER				*		5	
22		13137906		SPRING BUSHING				*		5	
23		13140504		TENNSION SPRING				*		3	
24	R	13340906	40042364	KNOB GREEN		B	糸調子ナット(緑)対策品/TENSION NUT(green) countermeasure parts	*		3	1.00
24	R	13340906	40042366	KNOB GREEN		B	糸調子ナット(緑)対策品/TENSION NUT(green) countermeasure parts	*		3	1.00
24	R	13340906	40042362	KNOB GREEN		B	糸調子ナット(緑)対策品/TENSION NUT(green) countermeasure parts	*		3	1.00
24	R	13340906	40042365	KNOB GREEN		B	糸調子ナット(緑)対策品/TENSION NUT(green) countermeasure parts	*		3	1.00
24	R	13340906	40066136	KNOB GREEN				*		3	1.00
25		13340500		TENSION DISC EYELET				*		2	
26	R	B3121804000	40102003	TENSION SPRING				*		2	1.00
27		SM8030412TP		SCREW						7	
28		13456603		THD_PULL_OFF_HOOK						7	
29		13456207		THD_P_O_HOOK_GUIDE						5	
30		SM8040360TP		SCREW						5	

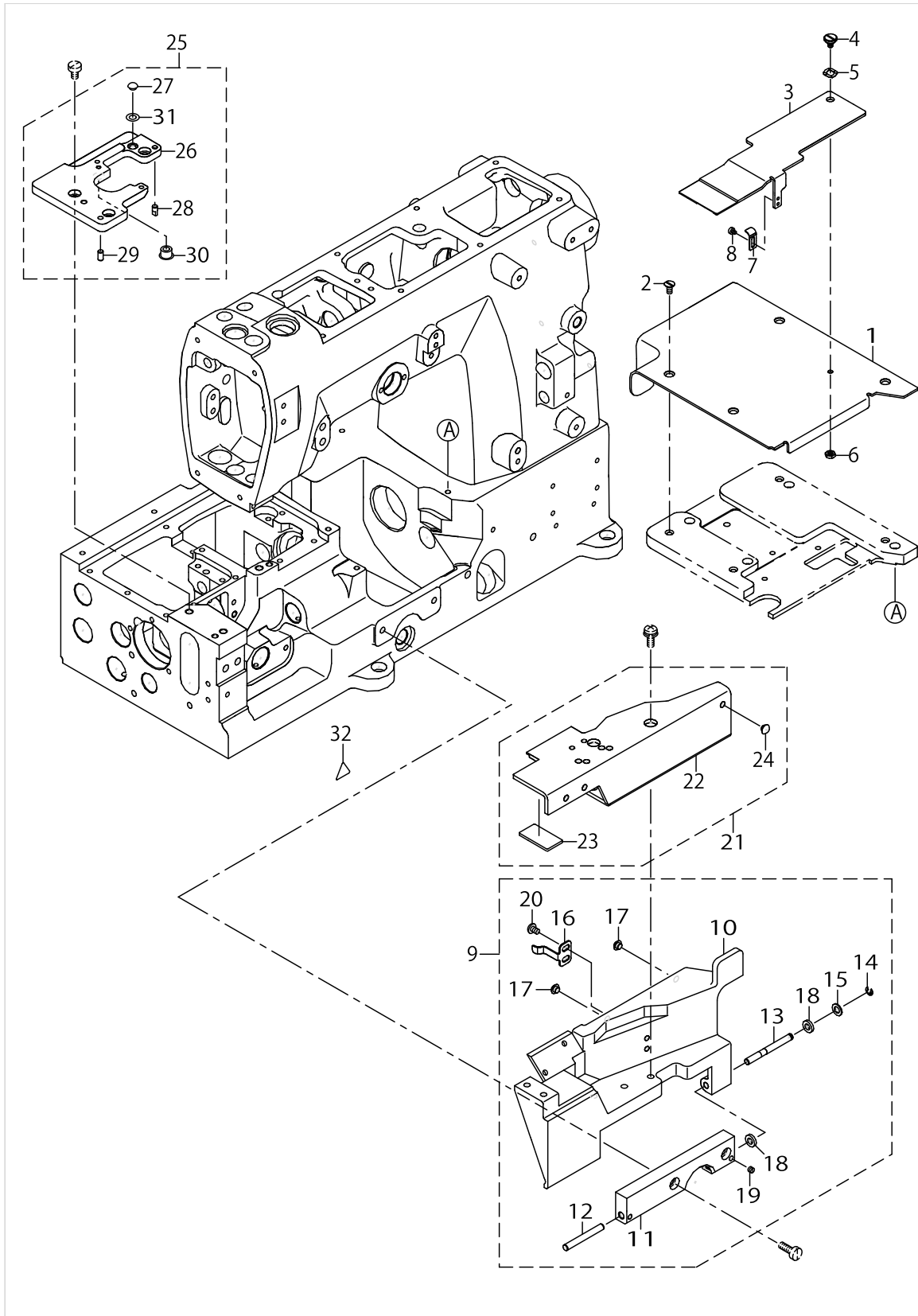
THREAD TENSION COMPONENTS



THREAD TENSION COMPONENTS

No.	Supply Code	Parts No.	Replacement	Parts name	Remarks	Choice	Step	Level	Cons	Qty	Rep. QTY
31		13456009		THREAD_GUIDE						1	

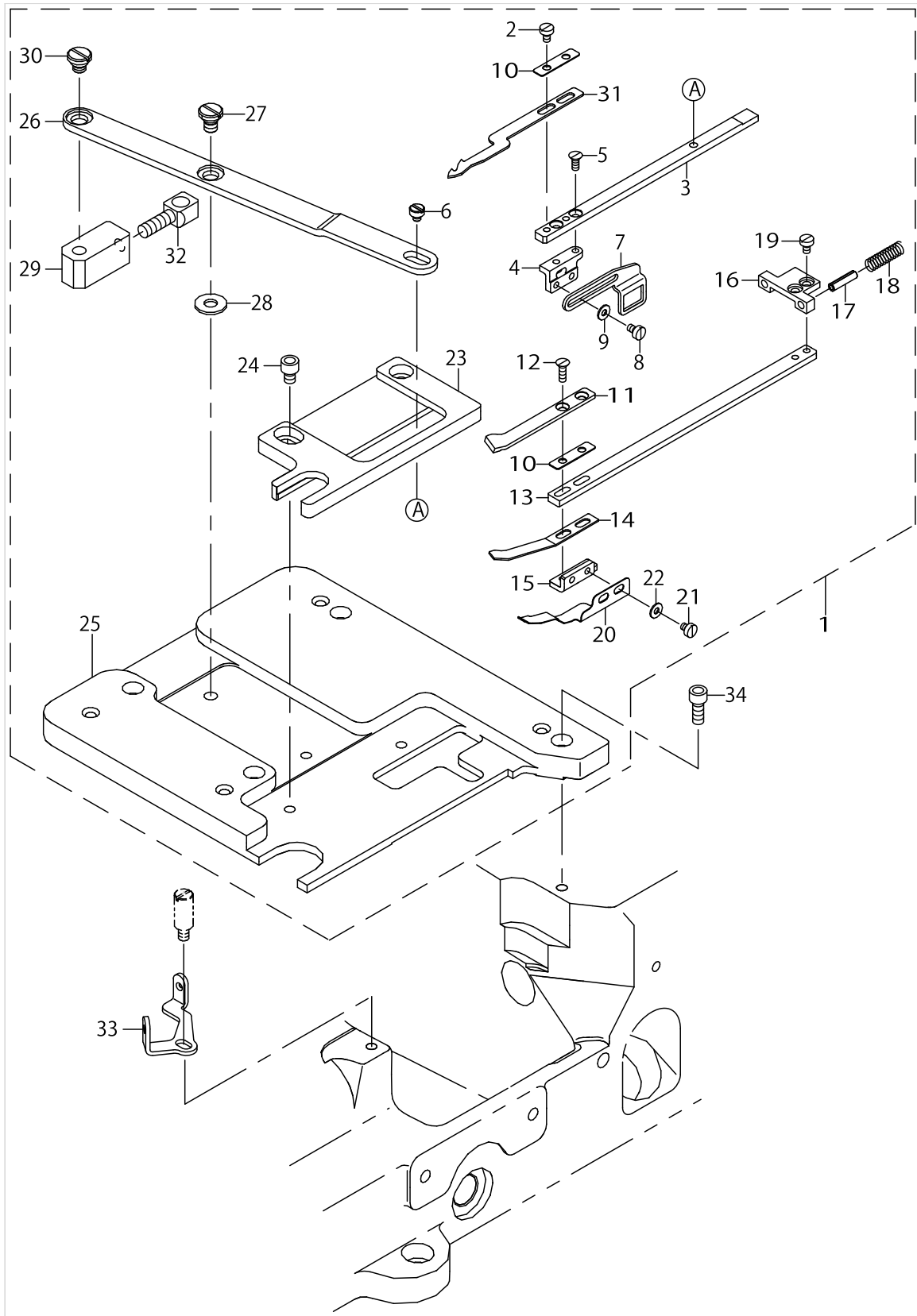
MISCELLANEOUS COVER COMPONENTS



MISCELLANEOUS COVER COMPONENTS

No.	Supply Code	Parts No.	Replacement	Parts name	Remarks	Choice	Step	Level	Cons	Qty	Rep. QTY
1		40040273		COVER_A_UT						1	
2		SM1040800SP		SCREW						4	
3		40019325		COVER_B_UT						1	
4		SD0600266TP		SHOULDER SCREW D6 H2.6						1	
5		WZ0641510KP		WAVED WASHER 6.4X11X0.3						1	
6		NM6040003SD		NUT M4						1	
7		40019326		LATCH_SPRING_UT						1	
8		SM6850300SP		SCREW M2.5 L=3						2	
9		40019330		ASSY_SWING_DOWN_COVER_UT						1	
10		40019329		SWING_DOWN_COVER_UT				*		1	
11		13303508		HINGE				*		1	
12		PH0500400C0		PARALLEL PIN				*		1	
13		13305206		PIN_FOR_S_D_COVER				*		1	
14		RE0300000K0		E-RING 3				*		1	
15		WP0550800SP		WASHER 5.5X10X0.8				*		1	
16		13304308		LATCH SPRING				*		1	
17		13302302		RUBBER BUMPER				*		2	
18		13302708		RUBBER_WASHER				*		2	
19		SM8040360TP		SCREW				*		2	
20		SM4040655SP		SCREW M4 L=6				*		2	
21		40019333		ASSY_BRACKET_UT						1	
22		40019332		BRACKET_UT				*		1	
23		13305305		RUBBER_BOARD				*		1	
24		13302302		RUBBER BUMPER				*		1	
25		40019327		ASSY_TP_SUPPORT_UT						1	
26		13303003		THROAT PLATE SUPPORT				*		1	
27		13302302		RUBBER BUMPER				*		1	
28		13301908		DOWEL PIN				*		1	
29		13302500		DOWEL PIN 2				*		1	
30		TA0850604R0		RUBBER PLUG				*		1	
31		WP0531000SD		WASHER M5				*		1	
32		CM300200001		ATTENTION SEAL						1	

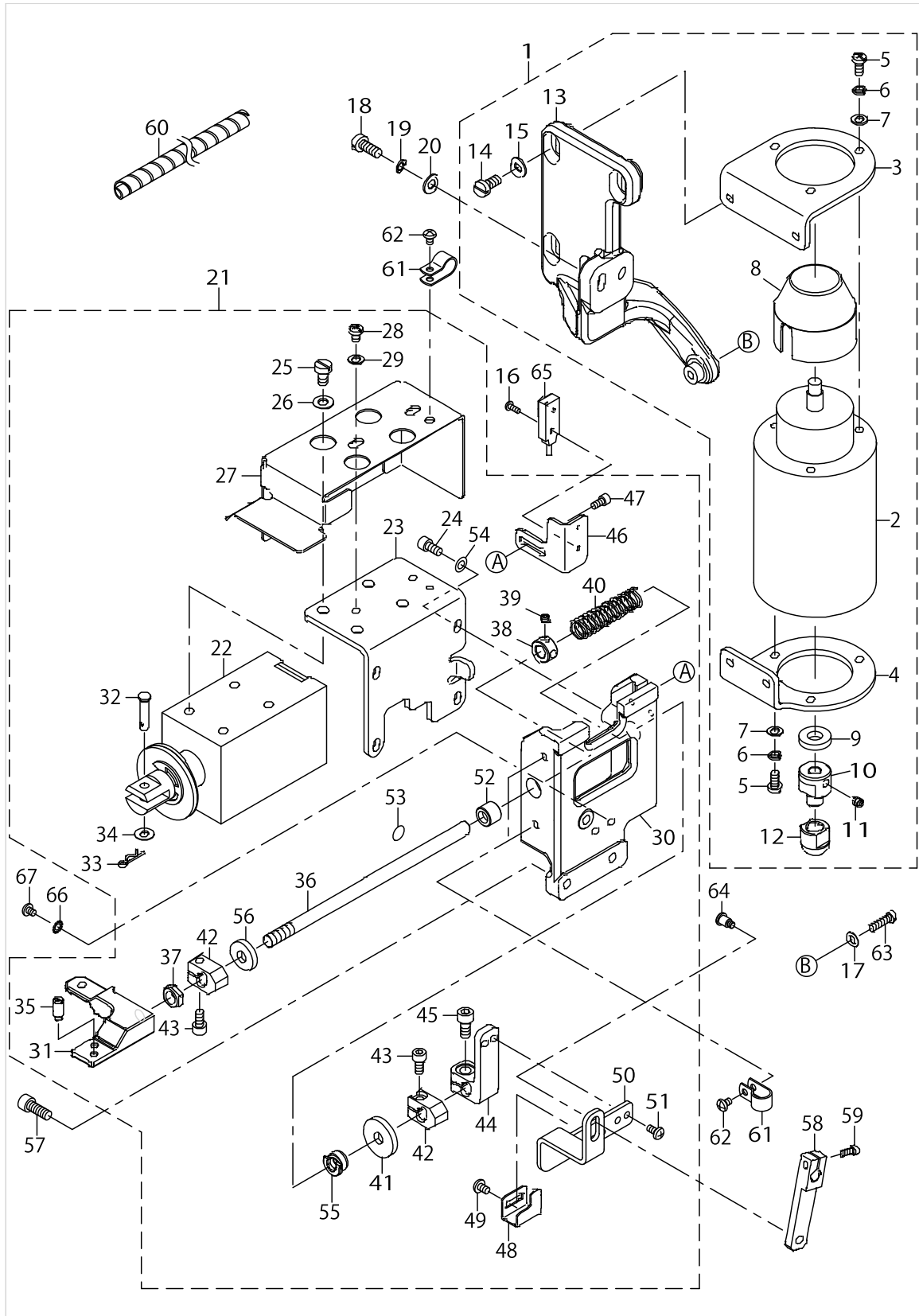
LOOPER THREAD TRIMMER COMPONENTS



LOOPER THREAD TRIMMER COMPONENTS

No.	Supply Code	Parts No.	Replacement	Parts name	Remarks	Choice	Step	Level	Cons	Qty	Rep. QTY
1		40033411		ASSY_UNDER_TRIMMER_7700						1	
2		SM6850400SP		SCREW M2.5 L=4				*		2	
3		40019305		LOWER_KNIFE_LEVER_UT				*		1	
4		40019306		LOWER_KNIFE_BRACKET_UT				*		1	
5		SM1850600SP		SCREW				*		2	
6		40019307		LOWER_KNIFE_DRIVE_PIN_UT				*		1	
7		40019308		THREAD_TAKE_UP_UT				*		1	
8		SM6850400SP		SCREW M2.5 L=4				*		2	
9		WP0250516SD		WASHER 2.5X6X0.5				*		2	
10		40019309		PLATE_WASHER_UT				*		2	
11		40019310		UPPER_KNIFE_UT				*		1	
12	D	SM1850800SP		SCREW M2.5 L=8				*		2	
13		40019311		UPPER_KNIFE_LEVER_UT				*		1	
14		40019312		KNIFE_SUPPORT_PLATE_UT				*		1	
15		40019313		UPPER_KNIFE_BRACKET_UT				*		1	
16		40019314		UPPER_KNIFE_STOPPER_UT				*		1	
17		PS0300122KH		SPRING PIN 3X12				*		2	
18		B1214038000		PLUNGER SPRING				*		2	
19		SM6850400SP		SCREW M2.5 L=4				*		2	
20		40019315		THREAD_CLAMP_UT				*		1	
21		SM6850300SP		SCREW M2.5 L=3				*		2	
22		WP0250516SD		WASHER 2.5X6X0.5				*		2	
23		40019316		KNIFE_LEVER_GUIDE_UT				*		1	
24		SM6040502TP		SCREW M4X0.7 L=5				*		2	
25		40019317		CLOTH_PLATE_RIGHT_UT				*		1	
26		40019318		LEVER_UT				*		1	
27		SD0600206TP		SHOULDER SCREW				*		1	
28		B322877100B		BOBBIN WINDER SPACER				*		1	
29		40033188		UT_JOINT				*		1	
30		SD0640216TP		SHOULDER SCREW				*		1	
31		40019304		LOWER_KNIFE_UT				*		1	
32		40025990		LINK_DRIVING				*		1	
33		40019323		THREAD_GUIDE_UT						1	
34		SM6041002TP		SCREW M4 L=10						4	

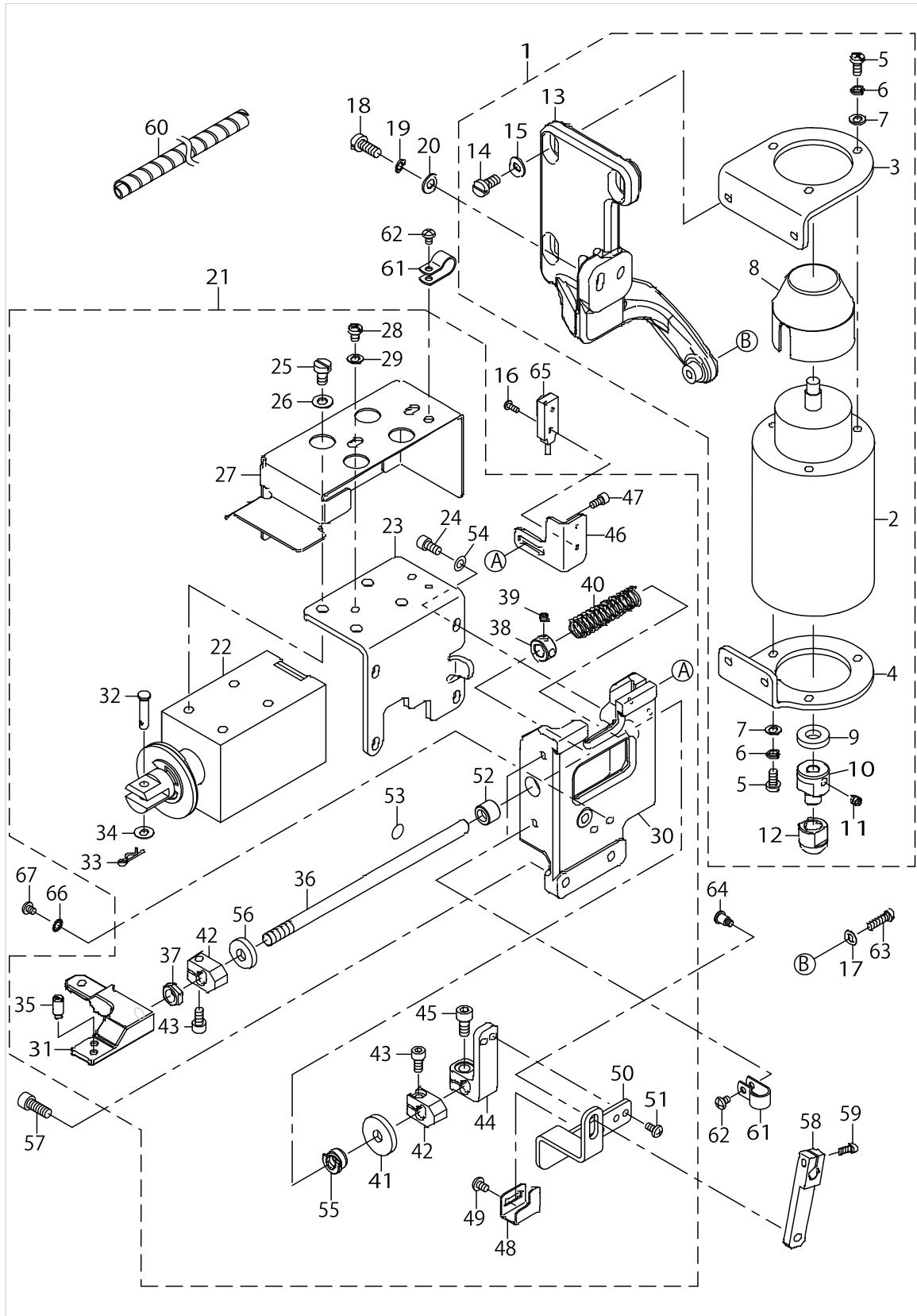
ELECTROMAGNETIC THREAD TRIMMER DRIVE & PRESSER FEED LIFTER COMPONENTS



ELECTROMAGNETIC THREAD TRIMMER DRIVE & PRESSER FEED LIFTER COMPONENTS

No.	Supply Code	Parts No.	Replacement	Parts name	Remarks	Choice	Step	Level	Cons	Qty	Rep. QTY
1		40030477		SOLENOID_ASSY_B						1	
2		40030478		SOLENOID_ASSY_A				*		1	
3		40032444		SOLENOID_BRACKET_UPPER				*		1	
4		40032445		SOLENOID_BRACKET_LOWER				*		1	
5		SM4051055SP		SCREW				*		6	
6		WS0510002KP		SPRING WASHER 5.1X9.2X1.3				*		6	
7		WP0550800SP		WASHER 5.5X10X0.8				*		6	
8		GAK3303600A		SOLENOID COVER				*		1	
9		40032703		P_F_RUBBER_WASHER				*		1	
10		40032447		CAP_JOINT				*		1	
11		SM8050602TP		SCREW M5 L=6				*		1	
12		13455100		AIR_CYLINDER_CAP				*		1	
13		40032446		SOLENOID_BRACKET				*		1	
14		SM6061200SP		SCREW				*		4	
15		WP0621016SD		WASHER 6.2X13X1				*		4	
16		SM4030855SN		SCREW M3 L=8.0						1	
17		WP0450826SC		WASHER 4.5X10X0.8						1	
18		SM6061400SP		SCREW M6 L=14						1	
19		WS0610002KP		SPRING WASHER						1	
20		WP0621016SD		WASHER 6.2X13X1						1	
21		40033414		UT ELECTRIC DRIVE ASSY						1	
22		40040271		UT_SOLENOID_ASSY				*		1	
23		40026935		SOLENOID_BRACKET				*		1	
24		SM6051002TP		SCREW M5X0.8 L=10				*		4	
25		SM6061010TP		SCREW M6 L=10				*		4	
26		WP0621016SD		WASHER 6.2X13X1				*		4	
27		40039670		SOLENOID_COVER				*		1	
28		SM4050655SP		SCREW M5 L=6				*		2	
29		WP0550800SP		WASHER 5.5X10X0.8				*		2	
30		40040662		UT_SOLENOID_BASE				*		1	
31		40026848		CONN_BLOCK				*		1	
32		40039669		MAGNET_PIN				*		1	
33		B1515210D00		PIN				*		1	
34		WP0560860SE		WASHER 5.6X12X0.8				*		1	
35		13442702		PIN				*		1	
36	R	40024097	40097665	UT_SHAFT				*		1	1.00
37		NM6080003SC		NUT M8				*		1	
38		CS0800881TP		THRUST COLLAR				*		1	
39		SM8050412TP		SCREW M5 L=4				*		2	
40		40042567		SPRING				*		1	
41		13443601		WASHER				*		1	
42		13442900		COLLAR				*		2	
43		SM6051002TP		SCREW M5X0.8 L=10				*		2	
44		13443007		PLATE HOLDER				*		1	
45		SM6061202TP		SCREW M6 L=12				*		1	
46		40024101		SENSOR HOLDER				*		1	

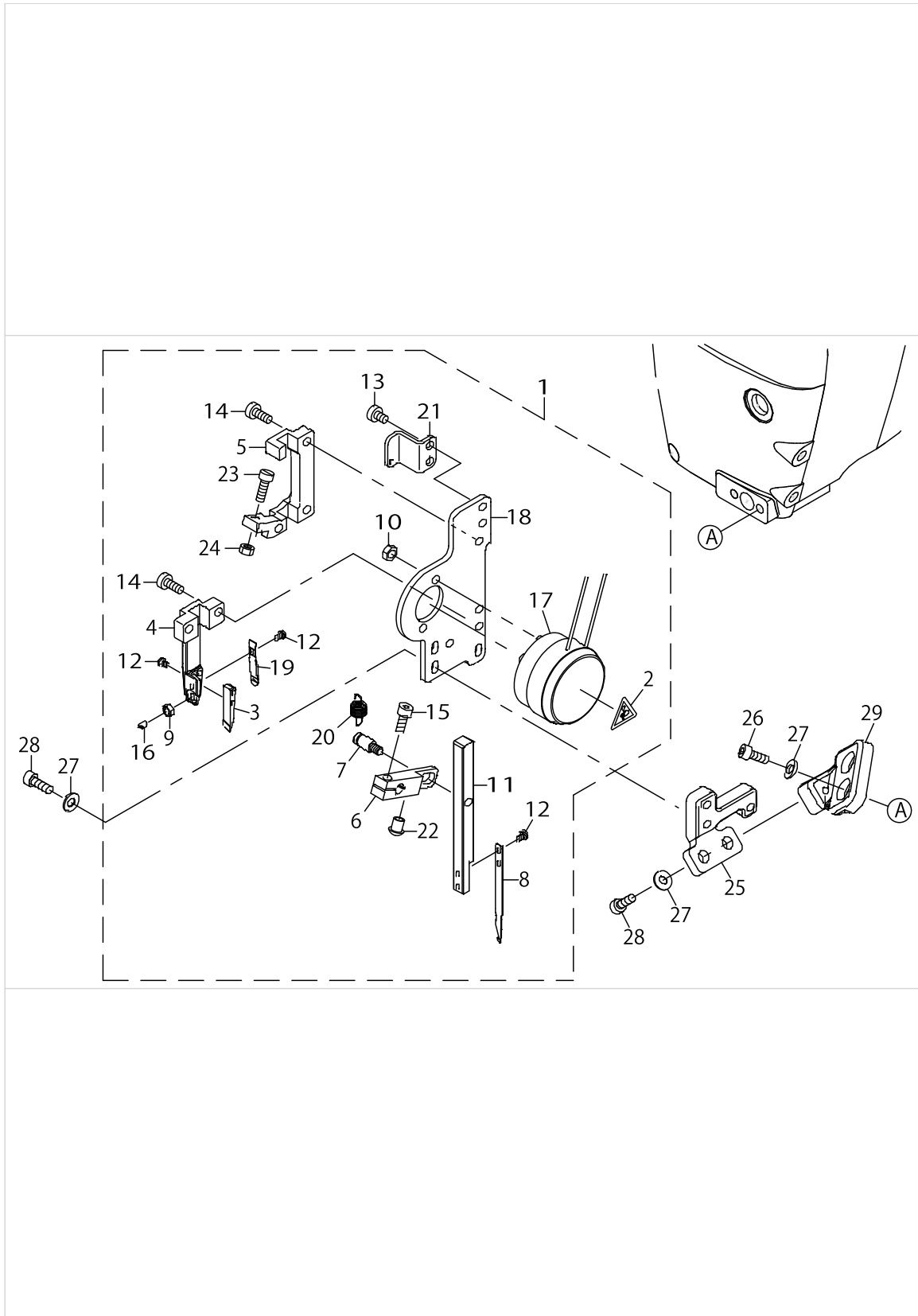
ELECTROMAGNETIC THREAD TRIMMER DRIVE & PRESSER FEED LIFTER COMPONENTS



ELECTROMAGNETIC THREAD TRIMMER DRIVE & PRESSER FEED LIFTER COMPONENTS

No.	Supply Code	Parts No.	Replacement	Parts name	Remarks	Choice	Step	Level	Cons	Qty	Rep. QTY
47		SM6040802TN		SCREW				*		2	
48		13443205		SWITCH_PLATE				*		1	
49		SM4040655SP		SCREW M4 L=6				*		2	
50		40019322		TENS_RELEASE_PLATE_UT				*		1	
51		SM4040855SP		SCREW				*		2	
52		40040661		BUSHING_UT_SHAFT				*		1	
53		22901805		GROUND MARK				*		1	
54		WP0550800SP		WASHER 5.5X10X0.8				*		4	
55		40038380		BUSHING_UT_SHAFT_RIGHT				*		1	
56		40038259		WASHER				*		1	
57		SM6061602TP		SCREW M6 L=16						3	
58		13443304		TENSION_RELEASE_LEVER						1	
59		SM6041202TP		SCREW M4X0.7 L=12						1	
60		HX00314000A		SPIRAL TUBE						.6	
61		HX00150000D		CABLE CLIP						3	
62		SM4040655SP		SCREW M4 L=6						3	
63		SM4041655SP		SCREW M4 L=16						1	
64		SD0700706TP		SHOULDER SCREW						1	
65		40021746		UNDER_TRIMMER_S- ENSOR_CABLE_ASM						1	
66		WT0430002KN		WASHER M4						1	
67		SM4040501SN		SCREW M4X0.7 L=5						1	

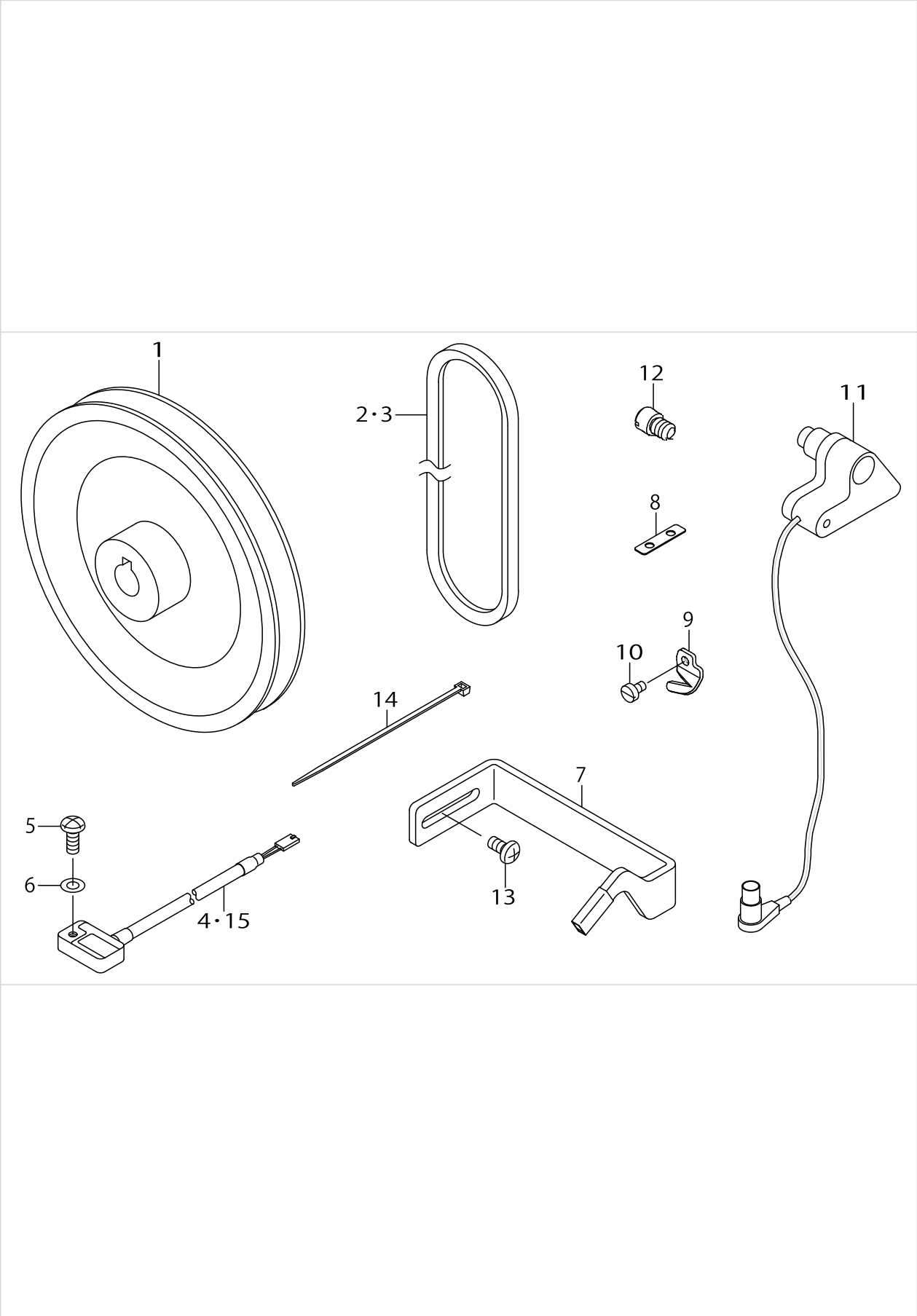
TOP COVER THREAD TRIMMER COMPONENTS



TOP COVER THREAD TRIMMER COMPONENTS

No.	Supply Code	Parts No.	Replacement	Parts name	Remarks	Choice	Step	Level	Cons	Qty	Rep. QTY
1		40029821		U_L_THD_TRIMMER_ASSY						1	
2		CM300200001		ATTENTION SEAL				*		1	
3		40029004		FIXED_KNIFE				*		1	
4		40029005		FIXED_KNIFE_HOLDER				*		1	
5		40024103		HOLDER_GUIDE				*		1	
6		40029006		LEVER				*		1	
7	D	40029007		LEVER_PIN				*		1	
8		40029008		MOVING_KNIFE				*		1	
9		NM6030001SD		NUT M3X0.5				*		1	
10		NM6040001SP		NUT M4X0.7				*		2	
11		40029010		ROD				*		1	
12		SM4850455SP		SCREW				*		5	
13		SM6040600SP		SCREW M4 L=6				*		2	
14		SM6041000SP		SCREW M4 L=10				*		5	
15		SM6041002TP		SCREW M4 L=10				*		1	
16		SM8030450SP		SCREW M3 L=4				*		1	
17		M85186300A0		THREAD TENSION SOLENOID ASM.				*		1	
18		40029011		SOLENOID_BASE				*		1	
19		13458401		SPRING				*		1	
20		40029012		SPRING				*		1	
21		40029013		SPRING_HOOK_BASE				*		1	
22		TA0550604R0		RUBBER PLUG				*		1	
23		SM6041200SP		SCREW M4 L=12				*		1	
24		NM6040001SP		NUT M4X0.7				*		1	
25	D	40029003		BRACKET2						1	
26		SM6041002TN		BOLT						2	
27		WP0450826SC		WASHER 4.5X10X0.8						5	
28		SM6041202TN		SCREW M4X0.7 L=12						5	
29		40029002		BRACKET1						1	

ACCESSORIE PART COMPONENTS



ACCESSORIE PART COMPONENTS

No.	Supply Code	Parts No.	Replacement	Parts name	Remarks	Choice	Step	Level	Cons	Qty	Rep. QTY
1		MTSP0115000A		MOTOR PULLEY	FOR SC-510					1	
2		MTJVM003600		V-BELT, 36 INCH	FOR SC-510					1	
3		MTJVM003500		V-BELT, 35 INCH	FOR SC-500					1	
4		40021727		RESISTOR PACK BL ASM.	FOR MF-7-700(SC-500)					1	
5		SM4041055SP		SCREW	FOR SC-500					1	
6		WP0430800SD		WASHER M4	FOR SC-500					1	
7		40082313		STOPPER ASM						1	
8		40019309		PLATE_WASHER_UT						1	
9		13316302		THREAD_TRIMMER						1	
10		SM6030500SN		SCREW M3 L=5						1	
11		40026921		SYNCHRONIZER						1	
12		40038326		SOLENOID_BRACKET_PIN						1	
13		SM4040855SP		SCREW						2	
14		EA9500B0100		CABLE BAND						1	
15		40083598		RESISTOR PACK AA ASM.	FOR MF-7-700D(SC-500)					1	

HOW TO MAKE USE OF THIS PARTS LIST

- 1.As to "#01" and "#02" refer to the "Note" given at the bottom of the respective pages.
- 2.Codes on the "Qty" column
 - Each numeral indicates the number of parts required.
 - "0.1" and "2.5" indicate the length (in meters) of the respective parts.
- 3.Parentheses mean that the corresponding part is a subpart that constructs an assembly part.
- 4.Dotted lines on the Figures indicate assembly parts.

1. リストページの# 0 1、# 0 2の印は、ページ下の"注記"の説明を参照下さい。
2. 数量欄の数字は、個数を表し、0. 1、2. 5等の数値は、長さ（単位メートル）を表します。
3. 数量欄の（ ）は、組部品を構成している子部品であることを意味します。
4. イラストページの-----枠は、組構成であることを意味します。

ALL PARTS NOT MENTIONED IN THIS PARTS LIST ARE SAME AS THOSE OF
MODEL MF-7700. OTHER PARTS LIST RELATED TO THIS MODEL.
*MF-7700 SERIES(NO.1375 PART NO.13370002)

このパーツリスト記載以外の部品はMF-7700と共通です。
この機種に関連するパーツリストとして下記のパーツリストがあります。
*MF-7700シリーズ（NO. 1375 品番13370002）

NUMERICAL INDEX OF PARTS

PART NO	PAGE	REF NO.	PART NO	PAGE	REF NO.	PART NO	PAGE	REF NO.
13137609	4	21	40019309	18	8	40032447	12	10
13137906	4	22	40019310	10	11	40032703	12	9
13138201	4	20	40019311	10	13	40033188	10	29
13140504	4	23	40019312	10	14	40033411	10	1
13301908	8	28	40019313	10	15	40033414	12	21
13302302	8	27	40019314	10	16	40038259	14	56
13302500	8	29	40019315	10	20	40038326	18	12
13302708	8	18	40019316	10	23	40038380	14	55
13303003	8	26	40019317	10	25	40039669	12	32
13303508	8	11	40019318	10	26	40039670	12	27
13304308	8	16	40019322	14	50	40040271	12	22
13305206	8	13	40019323	10	33	40040273	8	1
13305305	8	23	40019325	8	3	40040661	14	52
13316302	18	9	40019326	8	7	40040662	12	30
13340203	2	11	40019327	8	25	40042567	12	40
13340302	2	12	40019329	8	10	40065784	2	15
13340500	4	25	40019330	8	9	40065785	2	5
13340609	2	17	40019332	8	22	40066136	2	10
13340708	2	18	40019333	8	21	40082313	18	7
13340807	2	19	40021727	18	4-15	40083598	18	4-15
13340807	4	19	40021746	14	65	B1214038000	10	18
13340906	4	24	40024097	12	36	B1515210D00	12	33
13341607	2	16	40024101	12	46	B2008372000	2	14
13341706	2	13	40024103	16	5	B3121804000	4	26
13442702	12	35	40025990	10	32	B322877100B	10	28
13442900	12	42	40026848	12	31	CM300200001	8	32
13443007	12	44	40026921	18	11	CM300200001	16	2
13443205	14	48	40026935	12	23	CS0800881TP	12	38
13443304	14	58	40029002	16	29	EA9500B0100	18	14
13443601	12	41	40029003	16	25	GAK3303600A	12	8
13455100	12	12	40029004	16	3	HX00150000D	14	61
13456009	6	31	40029005	16	4	HX00314000A	14	60
13456108	2	8	40029006	16	6	M85186300A0	16	17
13456207	4	29	40029007	16	7	MTJVM003500	18	2-3
13456405	2	2	40029008	16	8	MTJVM003600	18	2-3
13456553	2	1	40029010	16	11	MTSP0115000A	18	1
13456603	4	28	40029011	16	18	NM6030001SD	16	9
13458401	16	19	40029012	16	20	NM6040001SP	16	24
22901805	14	53	40029013	16	21	NM6040003SD	8	6
40019304	10	31	40029821	16	1	NM6080003SC	12	37
40019305	10	3	40030477	12	1	PH0500400C0	8	12
40019306	10	4	40030478	12	2	PS0300122KH	10	17
40019307	10	6	40032444	12	3	RE0300000K0	2	4
40019308	10	7	40032445	12	4	RE0300000K0	8	14
40019309	10	10	40032446	12	13	SD0600206TP	10	27

NUMERICAL INDEX OF PARTS

PART NO	PAGE	REF NO.	PART NO	PAGE	REF NO.
SD0600266TP	8	4	SM8050412TP	12	39
SD0640216TP	10	30	SM8050602TP	12	11
SD0700706TP	14	64	TA0550604R0	16	22
SM1040800SP	8	2	TA0850604R0	8	30
SM1850600SP	10	5	WP0250516SD	10	22
SM1850800SP	10	12	WP0430800SD	18	6
SM4030855SN	12	16	WP0450826SC	12	17
SM4040501SN	14	67	WP0450826SC	16	27
SM4040655SP	2	6	WP0531000SD	8	31
SM4040655SP	8	20	WP0550800SP	8	15
SM4040655SP	14	62	WP0550800SP	12	54
SM4040855SP	14	51	WP0550800SP	14	54
SM4040855SP	18	13	WP0560860SE	12	34
SM4041055SP	2	9	WP0621016SD	12	26
SM4041055SP	18	5	WS0510002KP	12	6
SM4041655SP	2	7	WS0610002KP	12	19
SM4041655SP	14	63	WT0430002KN	14	66
SM4050655SP	12	28	WZ0641510KP	8	5
SM4051055SP	12	5			
SM4850455SP	16	12			
SM6030500SN	18	10			
SM6040502TP	10	24			
SM6040600SP	16	13			
SM6040802TN	14	47			
SM6041000SP	16	14			
SM6041002TN	16	26			
SM6041002TP	10	34			
SM6041002TP	16	15			
SM6041200SP	16	23			
SM6041202TN	16	28			
SM6041202TP	14	59			
SM6051002TP	12	43			
SM6061010TP	12	25			
SM6061200SP	12	14			
SM6061202TP	12	45			
SM6061400SP	12	18			
SM6061602TP	14	57			
SM6850300SP	8	8			
SM6850300SP	10	21			
SM6850400SP	10	19			
SM8030412TP	4	27			
SM8030450SP	16	16			
SM8040360TP	2	30			
SM8040360TP	4	30			
SM8040360TP	8	19			