

MODEL : DU-1181N (Machine number : ~8D7EJ01535)
List No : 1455-01

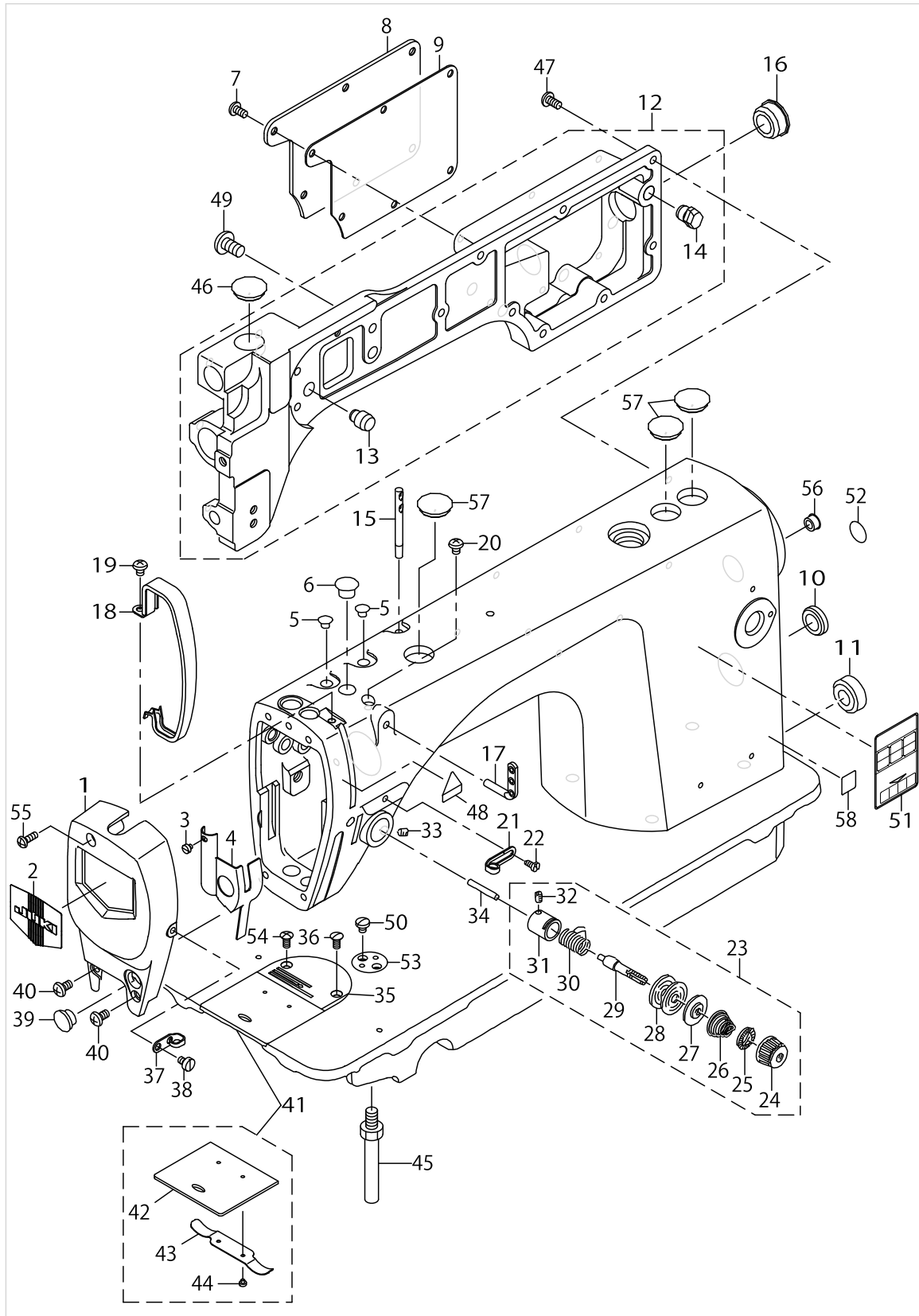
PARTS LIST

Published:05/12/2017

CONTENTS

MACHINE FRAME & MISCELLANEOUS COVER COMPONENTS	1
MAIN SHAFT & THREAD-UP LEVER COMPONENTS	5
NEEDLE BAR, UPRIGHT SHAFT & HOOK DRIVING SHAFT COMPONENTS	7
HAND LIFTER COMPONENTS	9
FEED MECHANISM COMPONENTS.....	11
UPPER FEED MECHANISM COMPONENTS	15
OIL LUBRICATION COMPONENTS.....	19
OIL RESERVOIR COMPONENTS	23
BELT COVER & BOBBIN COMPONENTS.....	25
THREAD STAND COMPONENTS.....	27
HOW TO MAKE USE OF THIS PARTS LIST	29

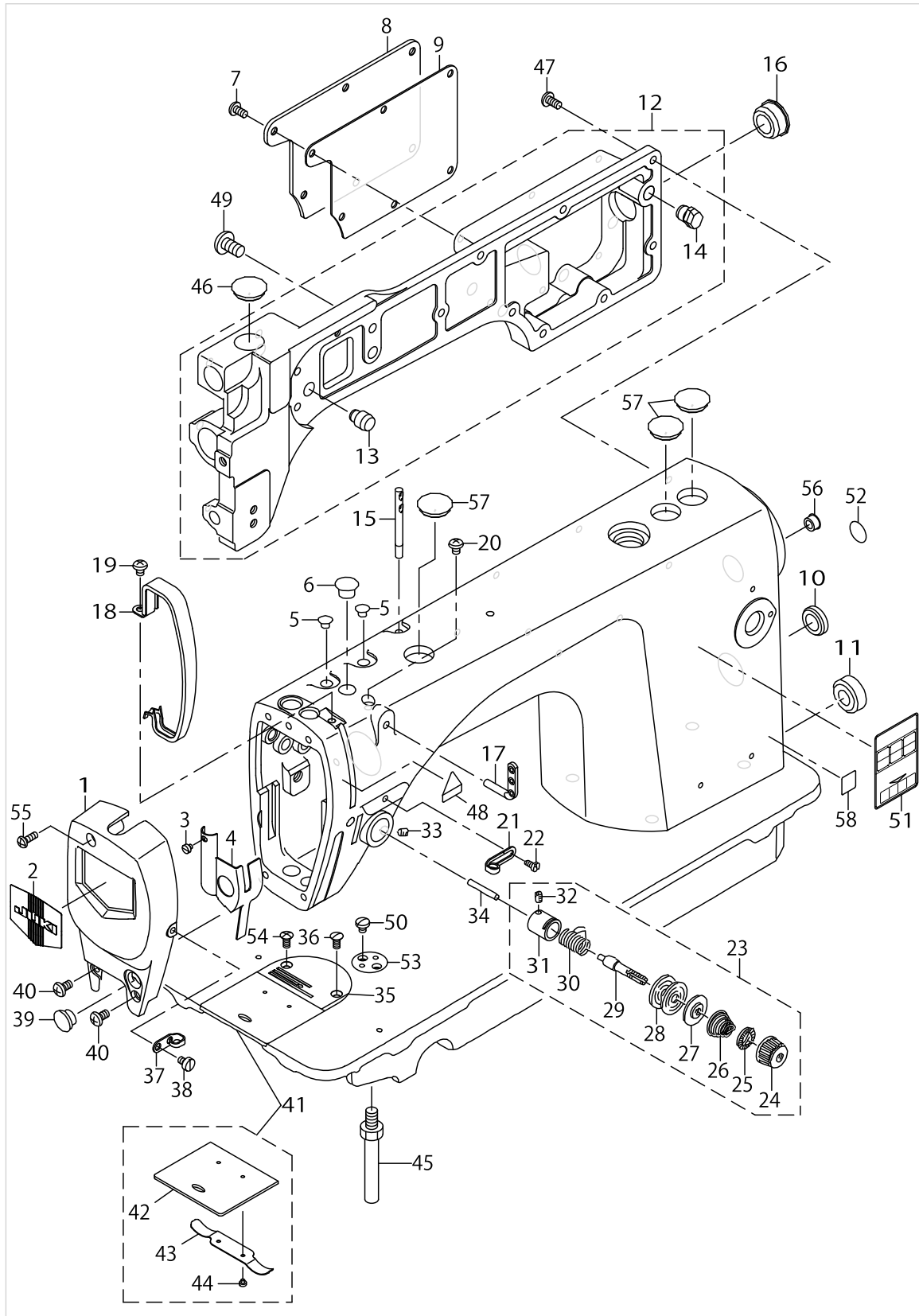
MACHINE FRAME & MISCELLANEOUS COVER COMPONENTS



MACHINE FRAME & MISCELLANEOUS COVER COMPONENTS

No.	Supply Code	Parts No.	Replacement	Parts name	Remarks	Choice	Step	Level	Cons	Qty	Rep. QTY
1		40022646		FACE PLATE						1	
2		22902506		FACE PLATE						1	
3		SS6080320SP		SCREW 1/8-44 L= 2.5						1	
4		40021790		FACE PLATE OIL SHIELD ASM.						1	
5		TA0850604R0		RUBBER PLUG						2	
6		TA1250705R0		RUBBER PLUG						1	
7		SS4120915SP		SCREW 3/16-28 L=9						6	
8		40022647		WINDOW PLATE						1	
9		40021567		GASKET						1	
10		TA2000502R0		RUBBER PLUG						1	
11		TA2101002R0		RUBBER PLUG						1	
12		40021907		UPPER FEED BASE COMPL.						1	
13		40021592		PIN(A)				*		1	
14		40021593		PIN(B)				*		1	
15		22958300		NEEDLE THREAD GUIDE PIN						1	
16		TA2351004R0		RUBBER PLUG						1	
17		40023295		THREE HOLE THREAD EYELET						1	
18		11415205		THREAD TAKE-UP LEVER COVER(JE)						1	
19		SS4120615SP		SCREW 3/16-28 L=6						1	
20		SS4120615SP		SCREW 3/16-28 L=6						1	
21		23626104		ARMTHREADGUIDEA						1	
22	R	11001500	22921001	SCREW						1	1.00
23		22962054		THREAD TENSION ASM.						1	
24		22921308		THREAD TENSION NUT				*		1	
25		22921407		ROTATION STOPPER				*		1	
26	R	22962005	B3114232000	THREAD TENSION SPRING				*		1	1.00
27		22921803		DISK STOPPER				*		1	
28		22921506		THREAD TENSION DISK				*		2	
29		22921209		THREAD TENSION POST				*		1	
30		22921605		THREAD TAKE-UP SPRING				*		1	
31		22945307		THREAD TENSION POST BASE				*		1	
32		SS8090670SP		SCREW 9/64-40L=5.5				*		1	
33		SS8150710TP		SCREW 15/64-28 L=7						1	
34		22920904		PIN						1	
35		40021615		THROAT PLATE						1	
36		SS2110920TP		SCREW 11/64-40 L=8.5						1	
37		22920607		ARMTHREADGUIDEB						1	
38		SS6110610TP		SCREW 11/64-40 L=6						1	
39		TA1250406R0		RUBBER PLUG D=12.5 L=4						1	
40		SS4120915SP		SCREW 3/16-28 L=9						2	
41		22901250		SLIDE PLATE ASM.						1	
42	R	22901201	22901250	SLIDE PLATE				*		1	1.00
43		22901300		SLIDE PLATE SPRING				*		1	
44		SS6060210SP		SCREW 3/32-56L=1.9				*		2	
45		22901003		BED SCREW STUD						4	
46		TA2050406R0		RUBBER PLUG						1	

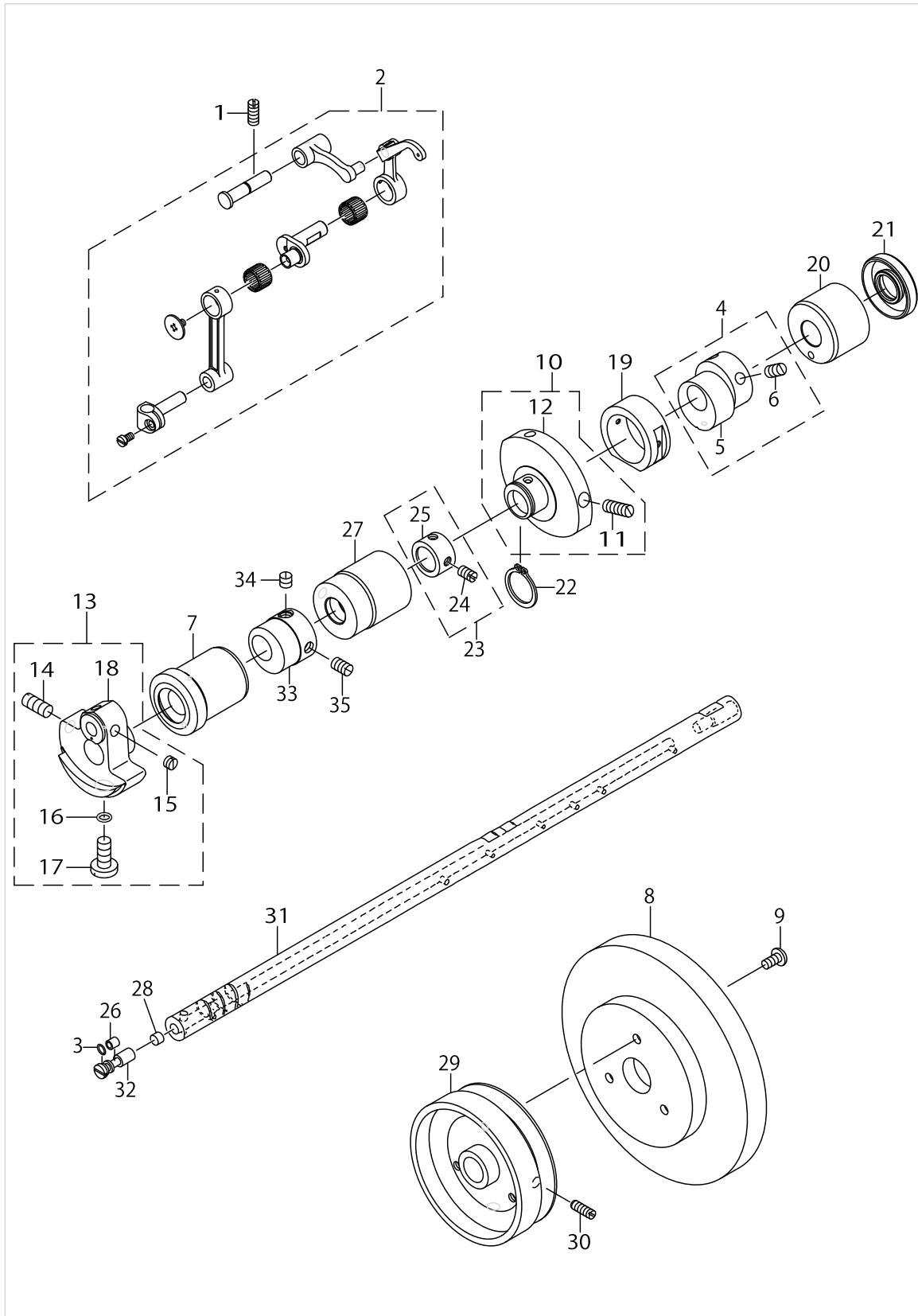
MACHINE FRAME & MISCELLANEOUS COVER COMPONENTS



MACHINE FRAME & MISCELLANEOUS COVER COMPONENTS

No.	Supply Code	Parts No.	Replacement	Parts name	Remarks	Choice	Step	Level	Cons	Qty	Rep. QTY
47		SS4121015SP		SCREW 3/16-28 L=10						10	
48		CM300200001		ATTENTION SEAL 16						1	
49		SS4701415SD		SCREW						1	
50		SS7110540SP		SCREW 11/64-40 L=5						2	
51		CM301200001		SAFETY LABEL_S						1	
52		22901805		GROUND MARK						1	
53		22902605		RULER STOP SEAT						1	
54		SS2110915SP		SCREW 11/64-40 L=8.5						1	
55		SS4112215SP		SCREW11/64-40L=22						1	
56		TA0950806R0		RUBBER PLUG						1	
57		TA2050406R0		RUBBER PLUG						3	
58		CM600100101		WEEE MARK LABEL S	FOR JE					1	

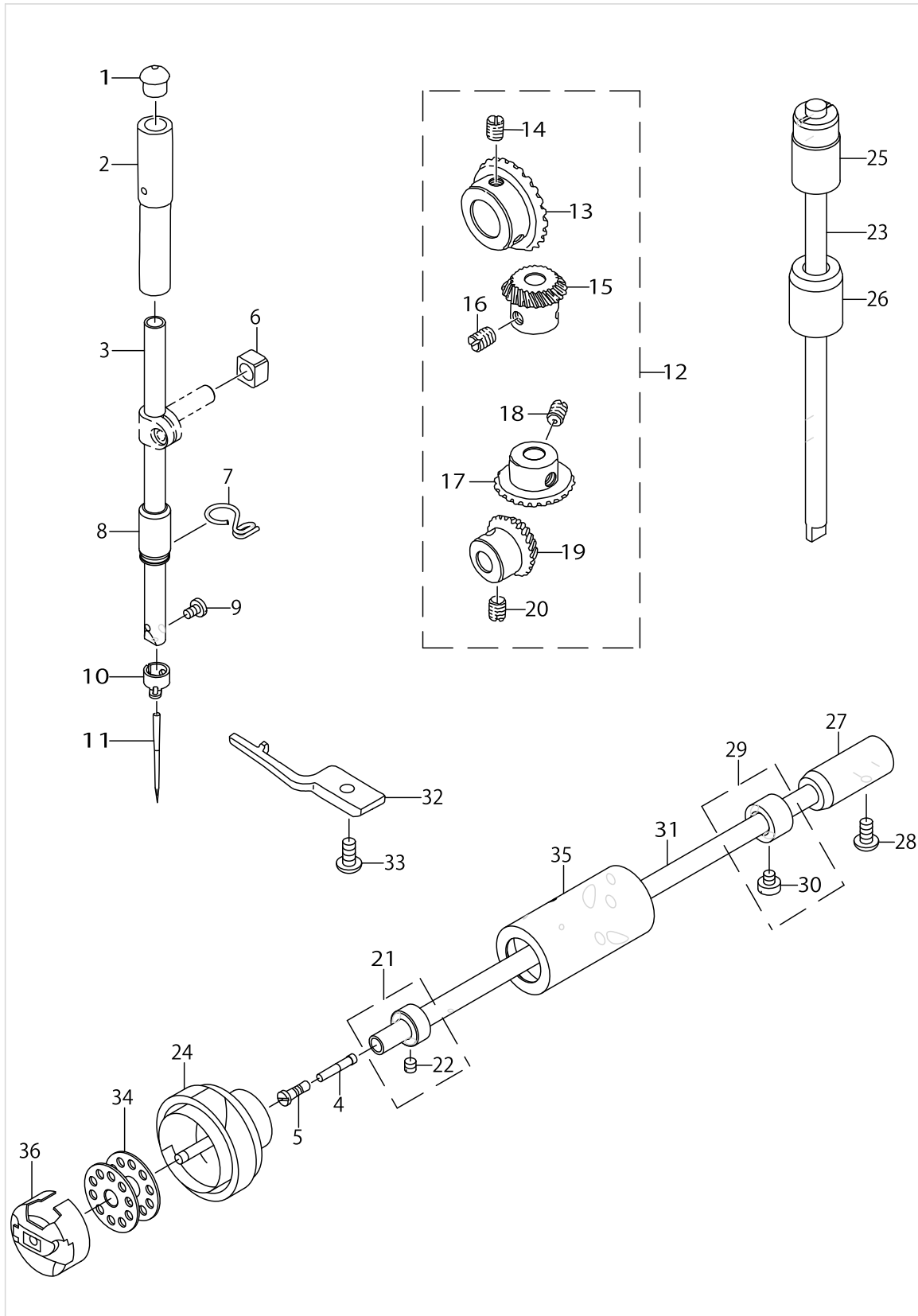
MAIN SHAFT & THREAD-UP LEVER COMPONENTS



MAIN SHAFT & THREAD-UP LEVER COMPONENTS

No.	Supply Code	Parts No.	Replacement	Parts name	Remarks	Choice	Step	Level	Cons	Qty	Rep. QTY
1		SS8151150TP		SCREW 15/64-28 L=10.5						1	
2		40021775		THREAD TAKE-UP LEVER ASM.						1	
3		RO029180100		RUBBER RING						1	
4		40021773		ECCENTRIC FEED CAM ASM.						1	
5		40021574		ECCENTRIC FEED CAM				*		1	
6		SS8660810TP		SCREW 1/4-40 L=8				*		2	
7		22903207		MAIN SHAFT BUSHING, FRONT						1	
8		40026457		HAND WHEEL B						1	
9		SM4051055SP		SCREW						3	
10		40021774		VERTICAL FEED CAM ASM.						1	
11		SS8681650TP		SCREW 9/32-28 L=16				*		2	
12	R	40021575	40021774	VERTICAL FEED CAM				*		1	1.00
13		40021770		COUNTER WEIGHT ASM.						1	
14		SS8681650TP		SCREW 9/32-28 L=16				*		1	
15		SS8660410SP		SCREW 1/4-40 L= 4.2				*		2	
16		RO044240100		RUBBER RING				*		1	
17		SS7681650TP		SCREW 9/32-28 L=16				*		1	
18	R	40021635	40021770	COUNTER WEIGHT				*		1	1.00
19		40024118		PITMAN SLEEVE						1	
20		40048594		MAIN SHAFT BUSHING						1	
21	R	11002508	40105231	OIL SEAL						1	1.00
22		RC1850001KP		SNAP RING 18.5						1	
23		22904155		MAIN SHAFT THRU-ST COLLAR ASM.						1	
24		SS8660610TP		SCREW 1/4-40 L=6				*		2	
25	R	22904106	22904155	MAIN SHAFT THRUST COLLAR				*		1	1.00
26		B1215552000		OIL ADJUSTING COLLAR						1	
27		22903306		BUSHING,INTERMEDIATE						1	
28		B1226490000		ROLLER FELT						1	
29	R	40026454	40026456	HAND WHEEL A						1	1.00
30		SS8151550SP		SCREW15/64-28L=15						2	
31		22903009		MAIN SHAFT						1	
32		22903900		ADJUSTING PIN						1	
33	R	40023031	40023032	FEED DRIVE ECCENTRIC CAM						1	1.00
34		SS8660610TP		SCREW 1/4-40 L=6						1	
35		SS8661030SP		SCREW 1/4-40 L=10						1	

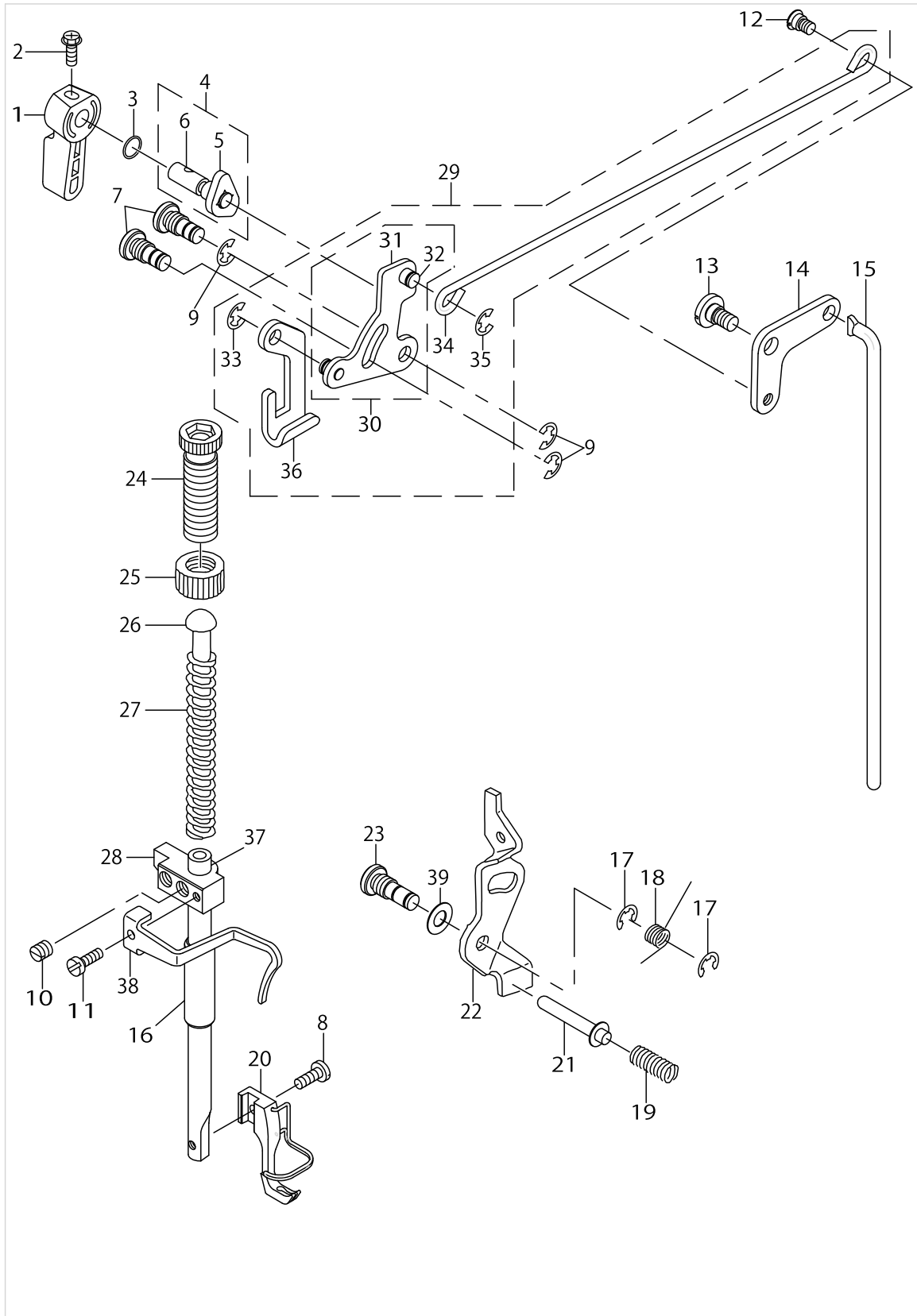
NEEDLE BAR, UPRIGHT SHAFT & HOOK DRIVING SHAFT COMPONENTS



NEEDLE BAR, UPRIGHT SHAFT & HOOK DRIVING SHAFT COMPONENTS

No.	Supply Code	Parts No.	Replacement	Parts name	Remarks	Choice	Step	Level	Cons	Qty	Rep. QTY
1		22901409		NEEDLE BAR UPPER BUSH CAP						1	
2		22906101		NEEDLE BAR BUSHING, UPPER						1	
3		40023030		NEEDLE BAR						1	
4		11404704		OIL WICK						1	
5		22916506		SET SCREW						1	
6		B1414555000		SLIDE BLOCK						1	
7		40023223		NEEDLE BAR THREAD GUIDE						1	
8		40021604		NEEDLE BAR BUSHING, LOWER						1	
9		SS7080510TP		SCREW 1/8-44 L=4.5						1	
10		40024124		NEEDLE BAR THREAD GUIDE						1	
11		MDP170B2100		NEEDLE DPX17 #21						1	
12		40032086		GEAR ASM.						1	
13	R	40032087	40032086	GEAR_UPPER				*		1	1.00
14		SS8660810TP		SCREW 1/4-40 L=8				*		2	
15	R	40032088	40032086	GEAR_UPPER				*		1	1.00
16		SS8660810TP		SCREW 1/4-40 L=8				*		2	
17		40032089		GEAR_LOWER				*		1	
18		SS8660810TP		SCREW 1/4-40 L=8				*		2	
19		40032090		GEAR_LOWER				*		1	
20		SS8660810TP		SCREW 1/4-40 L=8				*		2	
21		22917058		THRUST COLLAR ASM., FRONT						1	
22		SS8110410TP		SCREW 11/64-40 L= 3.5				*		2	
23		40021612		UPRIGHT SHAFT						1	
24	R	40032702	40098685	HOOK ASM.		A				1	1.00
24	R	40032702	40098684	HOOK ASM.		A				1	1.00
25		22905103		UPRIGHT SHAFT BUSHING, UPPER						1	
26		22905202		UPRIGHT SHAFT BUSHING, LOWER						1	
27		22916308		HOOK DRIVING SH- AFT BUSH, REAR						1	
28		SS4120915SP		SCREW 3/16-28 L=9						1	
29		22917157		THRUST COLLAR ASM., REAR						1	
30		SS6110420TP		SCREW 11/64-40 L=4.8				*		2	
31		11403300		HOOK DRIVING SHAFT						1	
32	R	40021622	40102871	BOBBIN CASE POSI- TIONING FINGER						1	1.00
33		SS4110915TP		SCREW 11/64-40 L=9						1	
34		40021610		BOBBIN						1	
35		40021613		HOOK DRIVING SH- AFT BUSH, FRONT						1	
36	R	40021609	40098684	BOBBIN CASE ASM.		A				1	1.00
36	R	40021609	40098685	BOBBIN CASE ASM.		A				1	1.00

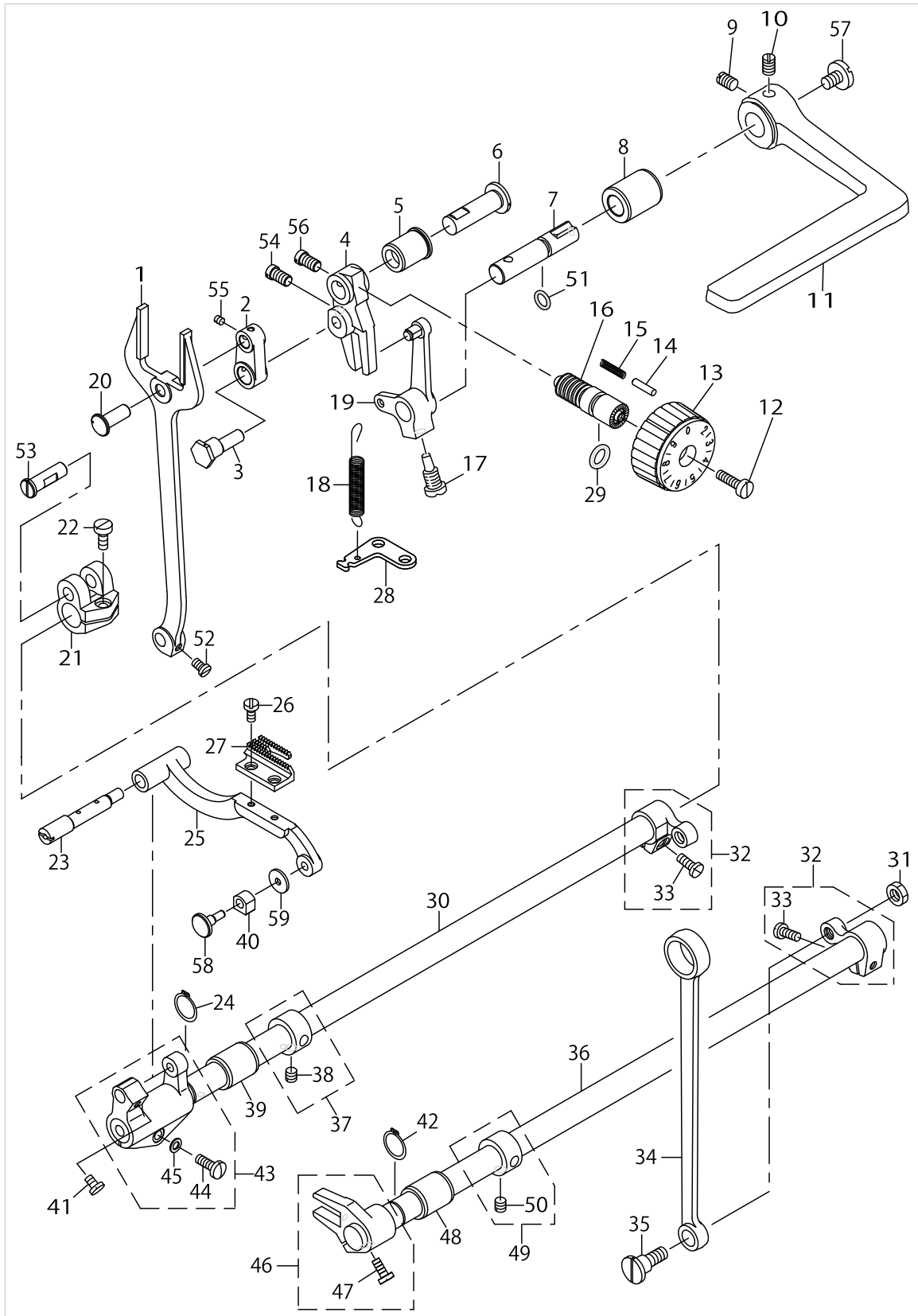
HAND LIFTER COMPONENTS



HAND LIFTER COMPONENTS

No.	Supply Code	Parts No.	Replacement	Parts name	Remarks	Choice	Step	Level	Cons	Qty	Rep. QTY
1		22907802		HAND LIFTER						1	
2		B1521555000		SCREW						1	
3		RO037180100		RUBBER RING						1	
4		40021570		HAND LIFTER CAM ASM.						1	
5		22908503		HAND LIFTER CAM				*		1	
6		22908602		HAND LIFTER CAM SHAFT				*		1	
7		22908701		LINK SHAFT						2	
8		SS7091110TP		SCREW 9/64-40 L=10.5						1	
9		RE0500000K0		E-RING 5						3	
10		SS8660610TP		SCREW 1/4-40 L=6						1	
11		SS6090910SP		SCREW 9/64-40 L=9						2	
12		22908909		HINGE SCREW						1	
13		SD0720331SP		HINGE SCREW D= 7.24 H= 3.3						1	
14		22908800		KNEE LIFTER LINK						1	
15		22909006		KNEE LIFTER CONNECTING ROD						1	
16		B1510155000		PRESSER BAR LOWER BUSHING						1	
17		RE0500000K0		E-RING						2	
18		22920201		RETURN SPRING						1	
19		22920409		THREAD RELEASE PIN SPRING						1	
20		40021791		PRESSER FOOT ASM.						1	
21		22920300		THREAD RELEASE SUPPORTING PIN						1	
22		22920003		THREAD RELEASE PLATE						1	
23		22920102		TENION RELEASE SHAFT						1	
24	R	22907505	22907554	PRESSER SPRING REGULATOR						1	1.00
25	R	22907604	22907554	PRESSER SPRING REGULATOR NUT						1	1.00
26		22907703		PRESSER GUIDE BAR						1	
27		40021617		PRESSER SPRING						1	
28		40021568		PRESSER BAR GUIDE BRACKET						1	
29	R	40024122	40064558	KNEE LIFTING CROSS ROD ASM.						1	1.00
30	R	40024132	40064558	LIFTING LINK ASM.				*		1	1.00
31	R	22908107	22908354	LIFTING LINK				*		1	1.00
32		22908206		LIFTING LINK PIN				*		2	
33		RE0500000K0		E-RING 5				*		1	
34		22908305		KNEE LIFTER SIDE ROD				*		1	
35		RE0500000K0		E-RING 5				*		1	
36	R	40023246	40064558	LIFTING PLATE				*		1	1.00
37		40017805		PRESSER BAR						1	
38	D	40021597		THREAD GUIDE						1	
39		40031286		WASHER						1	

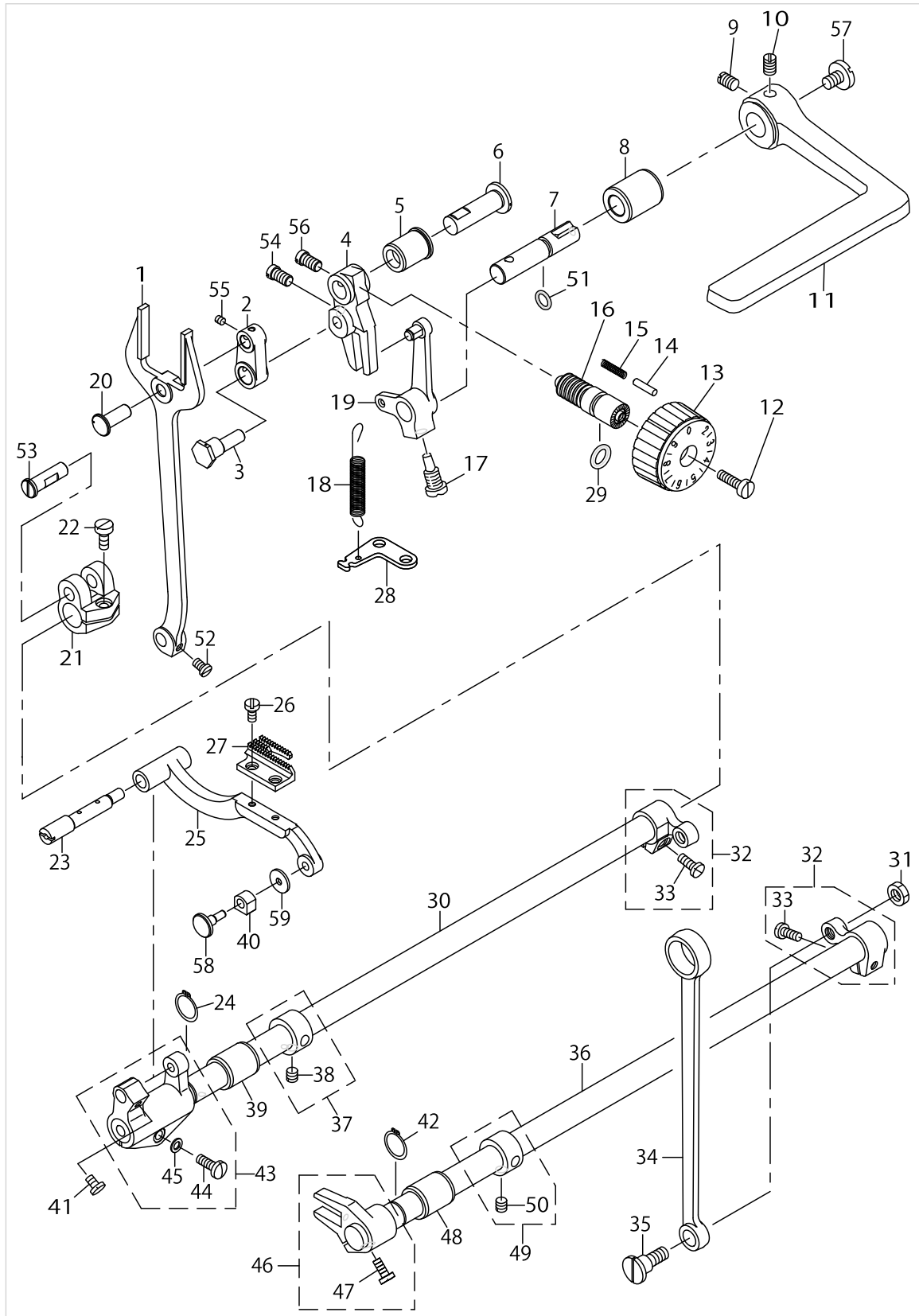
FEED MECHANISM COMPONENTS



FEED MECHANISM COMPONENTS

No.	Supply Code	Parts No.	Replacement	Parts name	Remarks	Choice	Step	Level	Cons	Qty	Rep. QTY
1		40024130		PITMAN ROD						1	
2		40026195		FEED REGULATOR CONNECTING LINK						1	
3		40024119		WALKING FOOT PIN						1	
4		40024117		FEED REGULATOR						1	
5		40038959		FEED REGULATOR BUSHING						1	
6		40026519		FEED REGULATOR SHAFT						1	
7		40038991		FEED REVERSE SHAFT						1	
8		40038958		FEED REVERSE BUSHING						1	
9		SM8061050TP		SCREW M6 L=10						1	
10		SM8061010TP		SCREW M6 L=10						1	
11	R	22912703	22912752	FEED LEVER						1	1.00
12		SS6121860SP		SCREW 3/16-28 L=18						1	
13		40021571		FEED DIAL						1	
14		22912000		FEED REGULATOR PIN						1	
15		22912109		FEED REGULATOR PIN SPRING						1	
16		22911804		FEED REGULATOR SCREW						1	
17		22912505		FEED REVERSE ARM SCREW						1	
18		40052100		LEVER_RETURN_SPRING						1	
19		22966758		LEVER CRANK ASM.						1	
20		40026194		HINGE PIN						1	
21	D	40024308		FEED ROCK SHAFT CRANK L						1	
22		SS6121210SP		SCREW 3/16-28 L=12						1	
23		22940803		FEED BAR SHAFT						1	
24		RC0150001KP		RETAINING RING 13.8						1	
25		40021772		FEED BASE						1	
26		SS4080620TP		SCREW 1/8-44 L=6						2	
27		40021621		FEED DOG						1	
28		22913701		FEED SPRING HOOK						1	
29		RO092270200		RUBBER RING						1	
30		22912901		FEED ROCKERSHAFT						1	
31		NS6680410SP		NUT 9/32-28						1	
32		22915151		FEED ARM COMPL.						2	
33		SS6121210SP		SCREW 3/16-28 L=12				*		2	
34		22915003		CONNECTING ROD						1	
35		SD1000801SH		HINGE SCREW D=10 H=8						1	
36		22915201		FEED DRIVING SHAFT						1	
37		22904155		MAIN SHAFT THRU-ST COLLAR ASM.						1	
38		SS8660610TP		SCREW 1/4-40 L=6				*		2	
39		22913008		FEED ROCKER SHAFT BUSHING						1	
40	R	B1414012000	22913602	NEEDLE BAR SLIDE BLOCK						1	1.00
41		SS7110740TP		SCREW 11/64-40 L=7						1	
42		RC0150001KP		RETAINING RING 13.8						1	
43		22940654		FEED ROCKER ASM.						1	
44		SS7121410TP		SCREW 3/16-28 L=14				*		1	
45		WP0480856SP		WASHER 4.8X8.4X0.8				*		1	

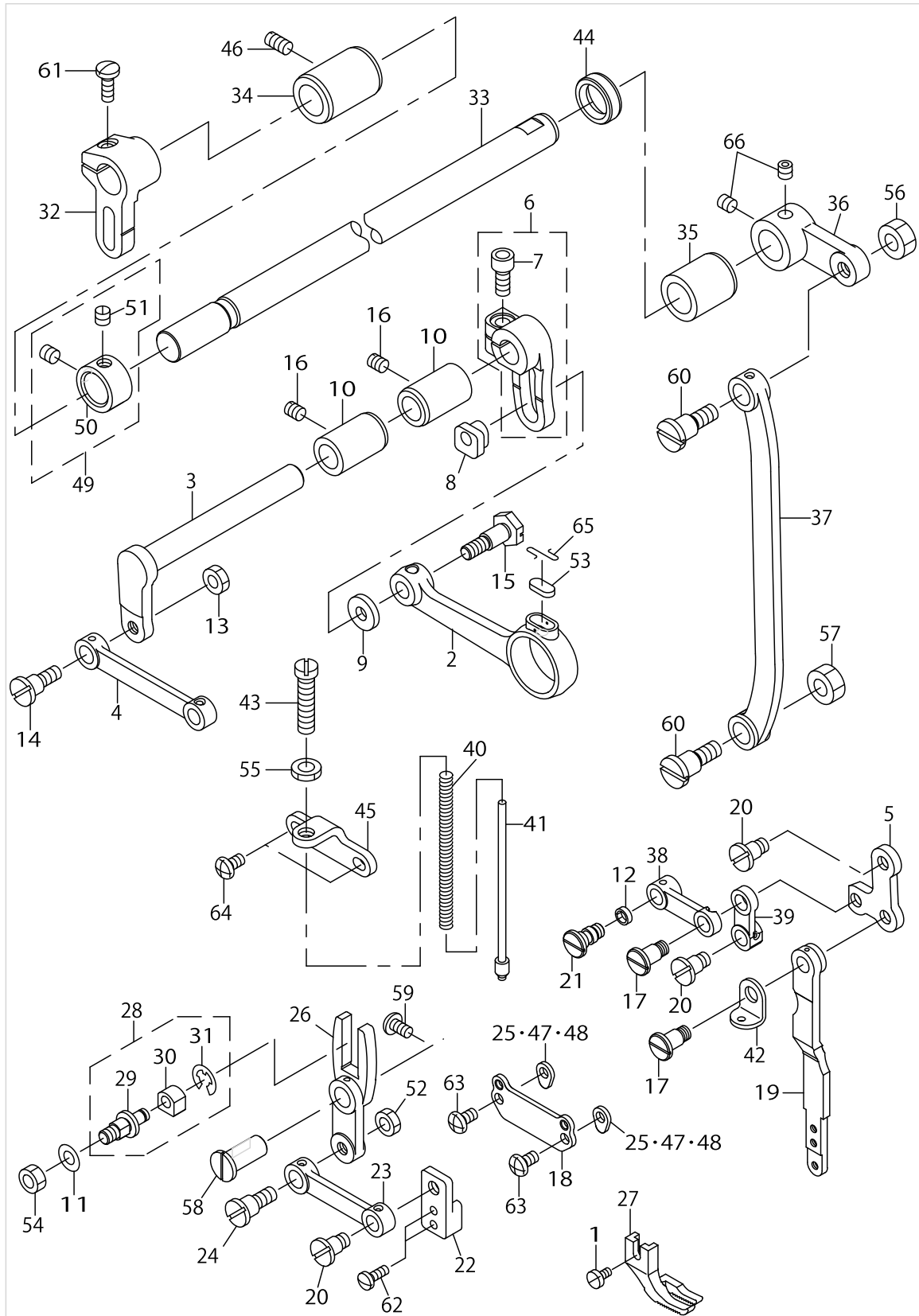
FEED MECHANISM COMPONENTS



FEED MECHANISM COMPONENTS

No.	Supply Code	Parts No.	Replacement	Parts name	Remarks	Choice	Step	Level	Cons	Qty	Rep. QTY
46		40039114		DRIVING SHAFT CRANK ASM.						1	
47		SS7111120TP		SCREW 11/64-40 L=10.5				*		1	
48		22913008		FEED ROCKER SHAFT BUSHING						1	
49		22904155		MAIN SHAFT THRU-ST COLLAR ASM.						1	
50		SS8660610TP		SCREW 1/4-40 L=6				*		2	
51		RO078190100		RUBBER RING						1	
52		SS7120910TP		SCREW 3/16-28 L=9						1	
53		40026520		FEED ROCKER SHAFT CRANK PIN						1	
54		22972806		FEED ECCENTRIC CAM SETSCREW						1	
55		SS8110410TP		SCREW 11/64-40 L= 3.5						1	
56		22972806		FEED ECCENTRIC CAM SETSCREW						1	
57		SS7620750SP		SCREW 3/16-32 L=6.5						1	
58		B1706555000		VERTICAL FEED SQUARE BLOCK						1	
59		22913503		WASHER						1	

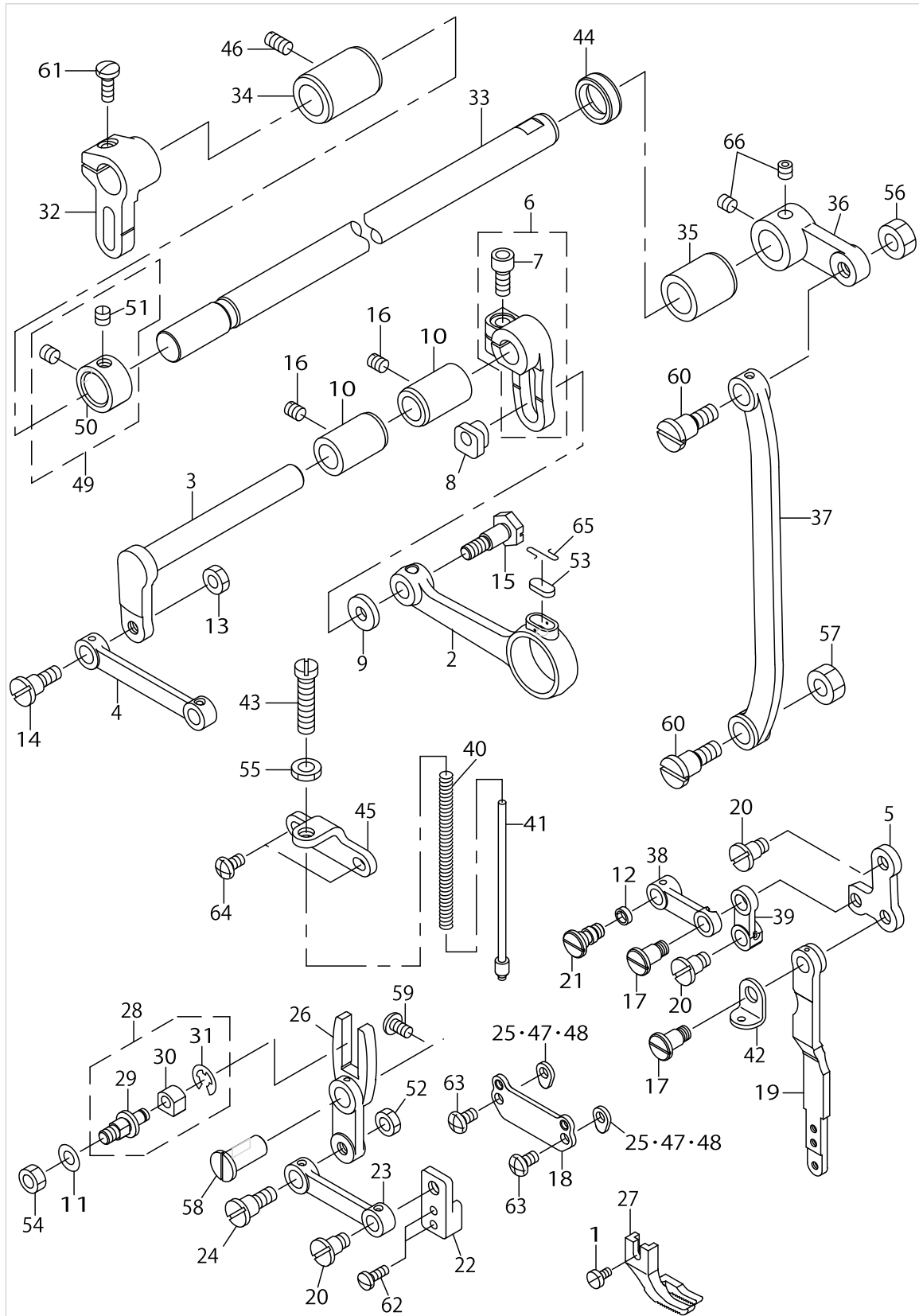
UPPER FEED MECHANISM COMPONENTS



UPPER FEED MECHANISM COMPONENTS

No.	Supply Code	Parts No.	Replacement	Parts name	Remarks	Choice	Step	Level	Cons	Qty	Rep. QTY
1		SS7090610SP		SCREW 9/64-40 L=6						1	
2		40021576		CRANK CONNECTING ROD						1	
3		40022003		UPPER FEED DRIVING SHAFT						1	
4		40021578		CONNECTING LINK						1	
5		40021623		L-SHAPED LINK						1	
6		40021782		UPPER FEED SPRING ROD						1	
7		SS6151412TP		SCREW15/64-28L=14				*		1	
8		B3009141H0A		NUT						1	
9		B3010141H00		WASHER						1	
10		40021625		BUSHING						2	
11		WP0650876SD		WASHER 6.5X13X0.8						1	
12		40027810		FELT						.02	
13		NS6150310SP		NUT 15/64-28						1	
14		SD0850751SP		HINGE SCREW D= 8.50 H= 7.5						1	
15		40021579		HINGE SCREW						1	
16		SS8150710TP		SCREW 15/64-28 L=7						2	
17		B3016141H00		HINGE SCREW, B						2	
18		40021581		WALKING BAR DRIVING LINK						1	
19		40022000		L-SHAPED ROD						1	
20		B3015141H00		HINGE SCREW						3	
21		40027512		HINGE SCREW						1	
22		40021582		CONNECTING LINK HOLDER						1	
23		40021577		CONNECTING LINK						1	
24		SD0850751SP		HINGE SCREW D= 8.50 H= 7.5						1	
25		40029415		WASHER (C)	SELECTIVE PARTS					2	
26		40021627		SLIDE FORK						1	
27		40022772		PRESSURE FOOT						1	
28		40021787		SLIDE BLOCK ASM.						1	
29		40021788		SLIDE BLOCK PIN				*		1	
30	R	B1414012000	22913602	NEEDLE BAR SLIDE BLOCK				*		1	1.00
31		RE0400000K0		E-RING 4				*		1	
32	R	40021583	40021783	CONNECTING ARM						1	1.00
33		40021584		UPPER FEED DRIVING SHAFT						1	
34		40021585		BUSHING, FRONT						1	
35		40021938		BUSHING, REAR						1	
36	R	40031287	40021784	DRIVING SHAFT ROD						1	1.00
37		40021587		DRIVING ROD						1	
38		40021594		L-SHAPED LINK(A)						1	
39		40021595		L-SHAPED LINK (B)						1	
40		40021628		SPRING						1	
41		40021588		SPRING POLE						1	
42		40021629		RETAINING PLATE						1	
43		40023033		ADJUSTING THUMB SCREW						1	
44		22888002		OIL SEAL						1	
45		40021590		SPRING BAR						1	
46		SS8151150TP		SCREW 15/64-28 L=10.5						1	

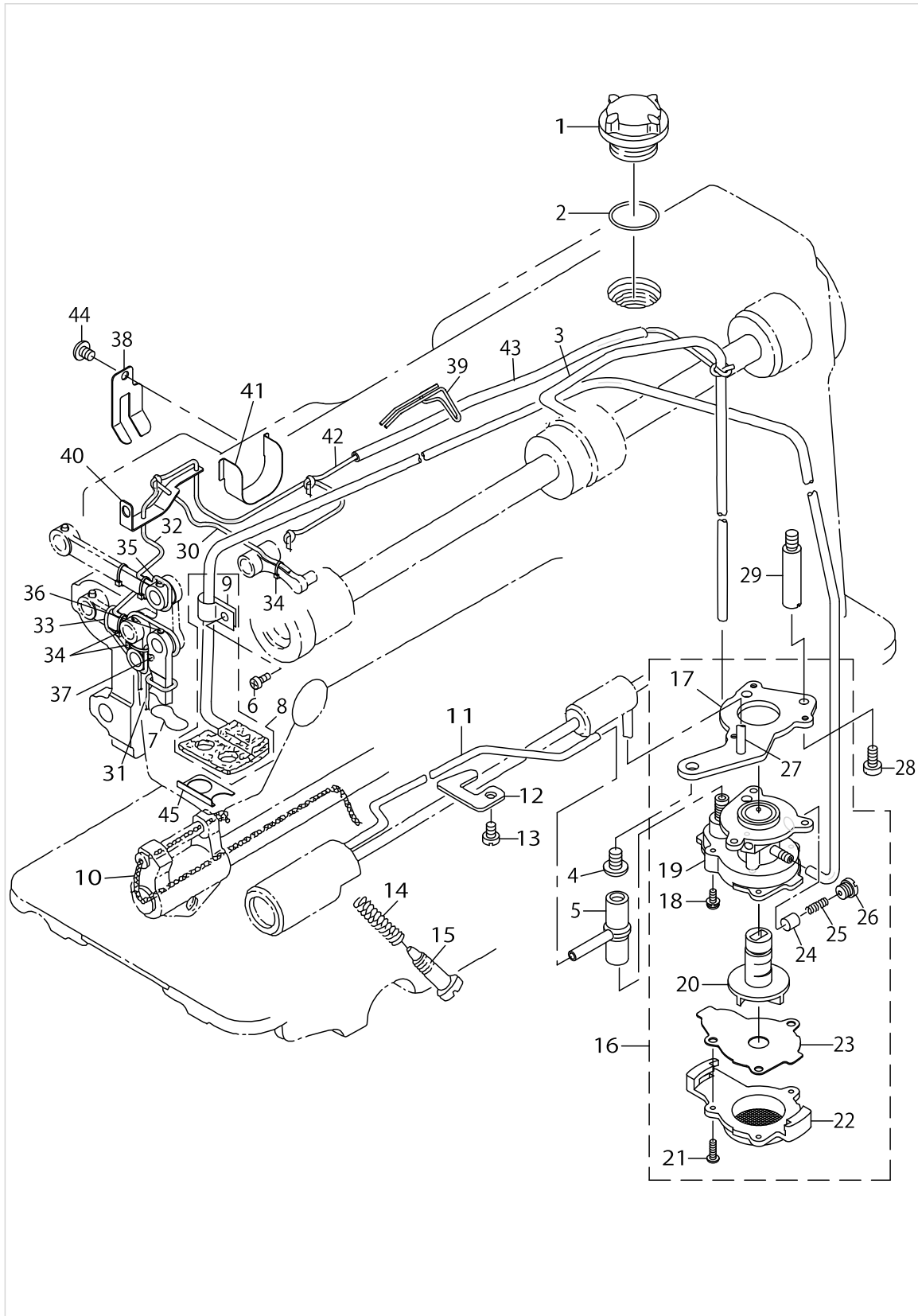
UPPER FEED MECHANISM COMPONENTS



UPPER FEED MECHANISM COMPONENTS

No.	Supply Code	Parts No.	Replacement	Parts name	Remarks	Choice	Step	Level	Cons	Qty	Rep. QTY
47		40029413		WASHER (A)	SELECTIVE PARTS					2	
48		40029414		WASHER (B)	SELECTIVE PARTS					2	
49		22904155		MAIN SHAFT THRU-ST COLLAR ASM.						1	
50	R	22904106	22904155	MAIN SHAFT THRUST COLLAR				*		1	1.00
51		SS8660610TP		SCREW 1/4-40 L=6				*		2	
52		NS6150310SP		NUT 15/64-28						1	
53		40025574		FELT						1	
54		NS6160520SP		NUT 1/4-24						1	
55		NS6680320SP		NUT 9/32-28						1	
56		NS6680410SP		NUT 9/32-28						1	
57		NS6680320SP		NUT 9/32-28						1	
58		40021630		HINGE PIN						1	
59		SS4120915SP		SCREW 3/16-28 L=9						1	
60		SD1020961SP		HINGE SCREW D=10.2 H=9.6						2	
61		SS7121410TP		SCREW 3/16-28 L=14						1	
62	R	SS7091110SP	SS7091110TP	SCREW 9/64-40 L=10.5						2	1.00
63		SS4120915SP		SCREW 3/16-28 L=9						2	
64		SS4120915SP		SCREW 3/16-28 L=9						2	
65		B1213012000		FELT RETAINER						1	
66		SS8660612TP		SCREW 1/4-40 L=6						2	

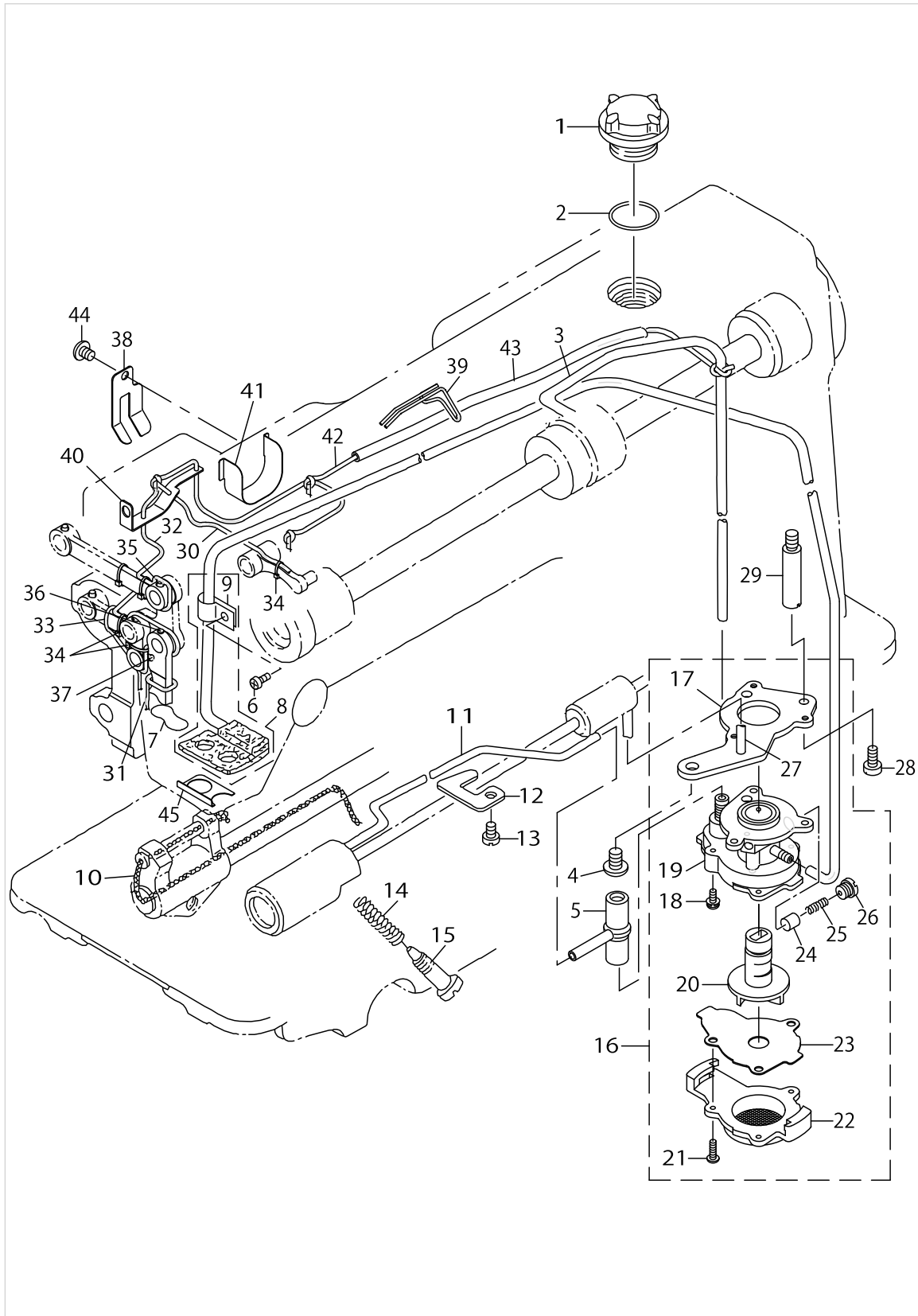
OIL LUBRICATION COMPONENTS



OIL LUBRICATION COMPONENTS

No.	Supply Code	Parts No.	Replacement	Parts name	Remarks	Choice	Step	Level	Cons	Qty	Rep. QTY
1		22924708		OIL SIGHT WINDOW						1	
2		RO195240100		RUBBER RING						1	
3		22924401		MAINSHAFTOILTUBE						1	
4		SS4150915SP		SCREW 15/64-28 L=9						1	
5		22924609		RUBBER JOINT						1	
6		SS4120615SP		SCREW 3/16-28 L=6						1	
7		22925101		OIL FELT PRESSER						1	
8		22924153		RETURN PIPE ASM.						1	
9		22924302		RETURN PIPE HOLDER				*		1	
10		CQ252000000		OIL WICK						.3	
11		22924500		HOOK OIL TUBE						1	
12		22924807		PIPEHOLDER,LOWER						1	
13		SS4150915SP		SCREW 15/64-28 L=9						1	
14		22924906		OIL REGULATOR SCREW SPRING						1	
15		22925002		OIL REGULATOR SCREW						1	
16		11404555		LUBRICATING OIL PUMP ASM.						1	
17	R	22923312	11392057	PUMP BODY INSTALLING PLATE		A	DLD5430	*		1	1.00
17	R	22923312	11404555	PUMP BODY INSTALLING PLATE		B	DDL5600/- 8100e, DU1181	*		1	1.00
17	R	22923312	22923056	PUMP BODY INSTALLING PLATE		C	DDL8700/- 8300/8500- /900A, DM- N5420/5400	*		1	1.00
18		SL4030851SF		SCREW M3 L=8				*		3	
19	R	22923015	22923056	PUMP BODY				*		1	1.00
20		22923700		IMPELLER				*		1	
21		SE4301041SR		SCREW D=3 L=10				*		3	
22		22923205		PUMP BODY COVER				*		1	
23		22923809		PUMP BODY SUPPORT PLATE				*		1	
24		22923403		PLUNGER				*		1	
25		22923601		PLUNGER SPRING				*		1	
26		22923502		PLUNGER SCREW				*		1	
27	D	11404605		HOOK DRIVING SHAFT OIL TUBE				*		1	
28		SS6111010TP		SCREW 11/64-40 L= 9.5						1	
29		22924005		PUMP BODY STRUT						1	
30		CQ202000000		OIL WICK						.1	
31		CQ200000000		OIL WICK						.1	
32		CQ202000000		OIL WICK						.75	
33		CQ202000000		OIL WICK						.1	
34		EA9500B0000		CLIP CV-70S						5	
35		CQ3000000F0		OIL FELT						.04	
36		CQ3000000F0		OIL FELT						.04	
37		CQ3000000F0		OIL FELT						.04	
38		40025328		OIL SHIELD (C)						1	
39		40027938		HOLDER						1	
40		40030403		OIL WICK SUPPORT						1	
41		40030402		OIL SHIELD (D)						1	
42		CQ252000000		OIL WICK						.39	

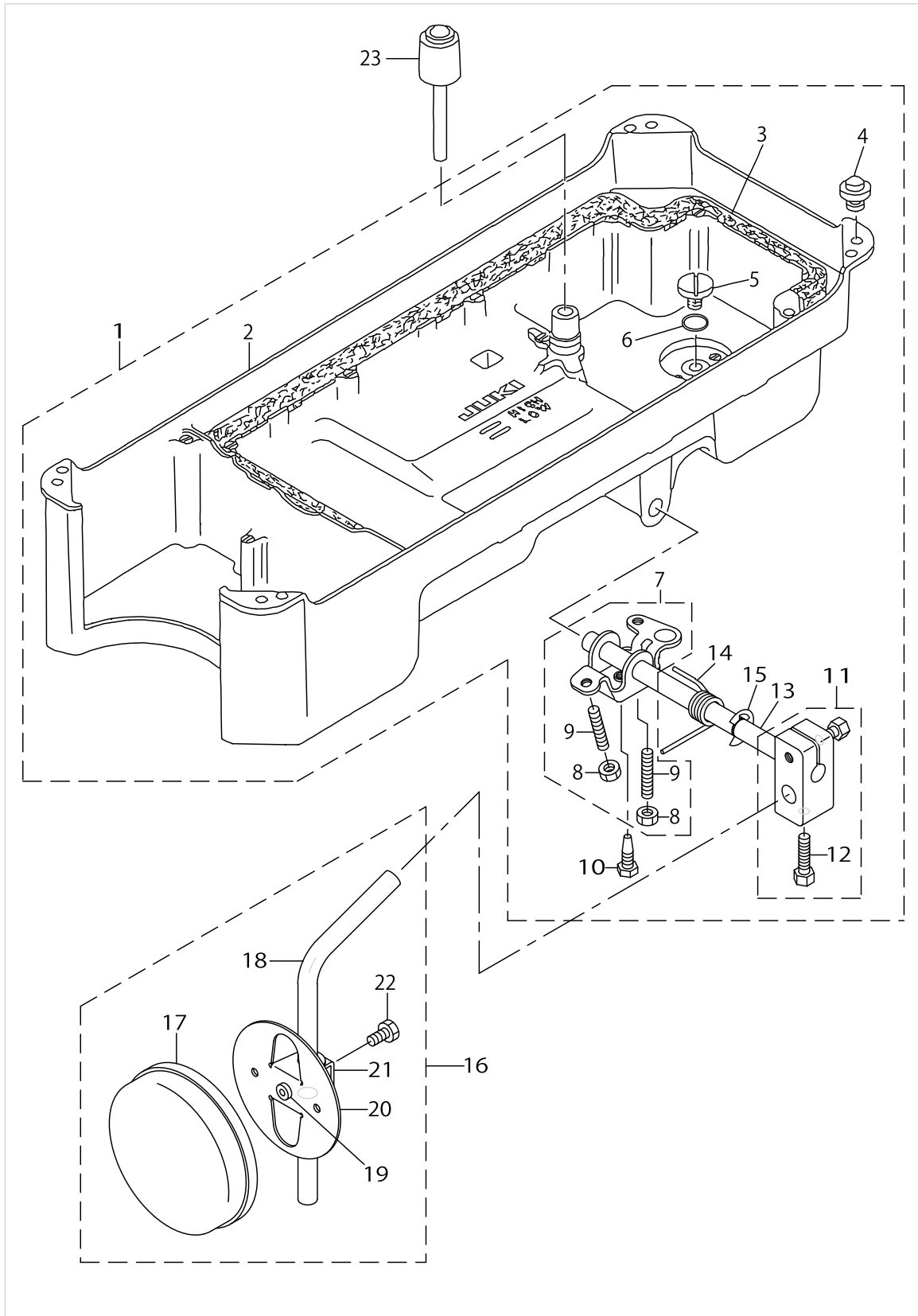
OIL LUBRICATION COMPONENTS



OIL LUBRICATION COMPONENTS

No.	Supply Code	Parts No.	Replacement	Parts name	Remarks	Choice	Step	Level	Cons	Qty	Rep. QTY
43		23630007		TUBE						.19	
44		SS4120615SP		SCREW 3/16-28 L=6						1	
45		40021999		FACE PLATE OIL SHIELD (B)						1	

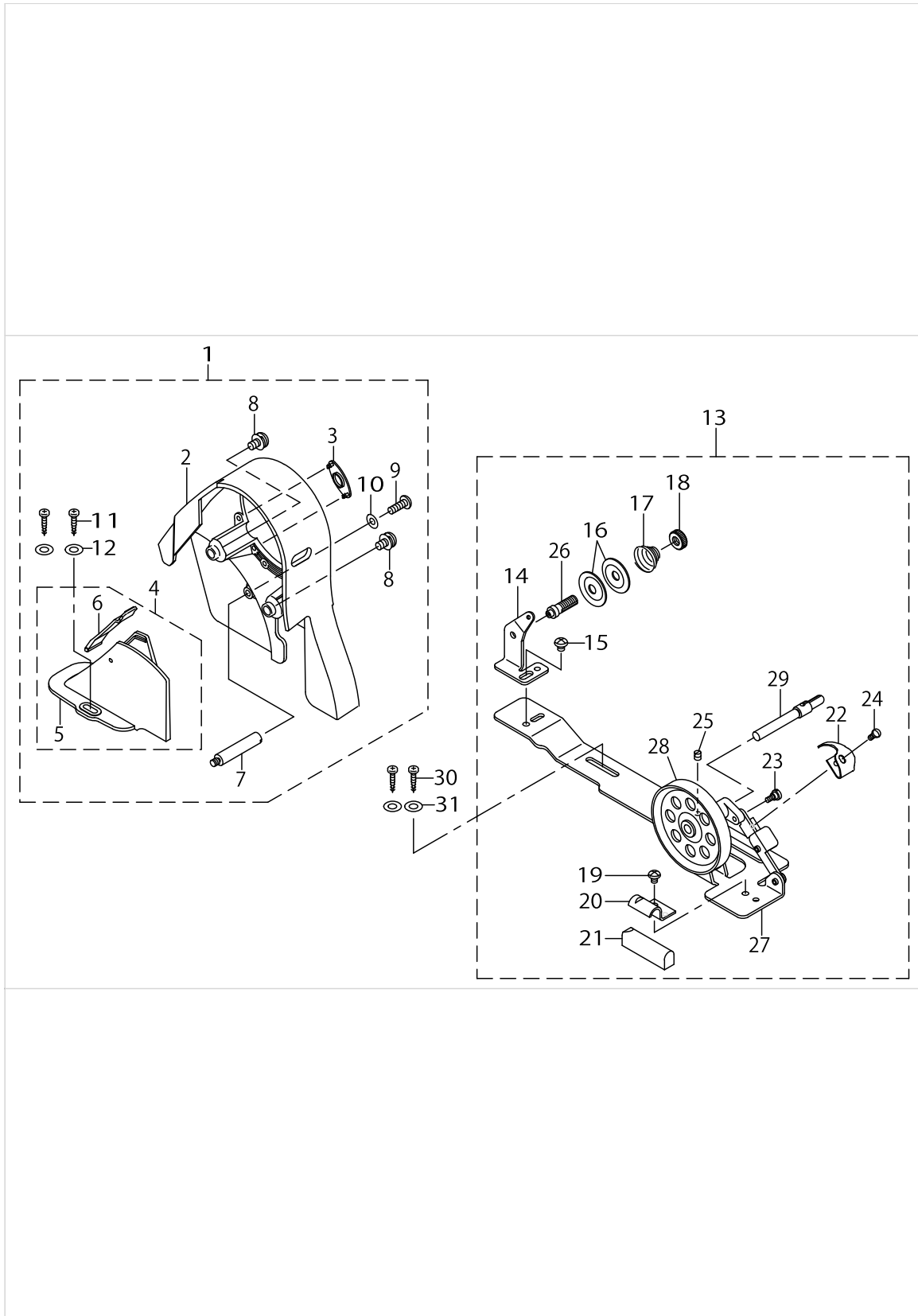
OIL RESERVOIR COMPONENTS



OIL RESERVOIR COMPONENTS

No.	Supply Code	Parts No.	Replacement	Parts name	Remarks	Choice	Step	Level	Cons	Qty	Rep. QTY
1		40029416		OIL RESERVOIR COMPL.						1	
2	R	22931802	40102085	OIL RESERVOIR				*		1	1.00
3	R	22931901	11024700	OIL RESERVOIR GASKET				*		1	1.00
4	R	22932008	11047107	RUBBER CUSHION				*		4	1.00
5		SS6700710SH		SCREW 5/16-24 L=7				*		1	
6		RO098240100		RUBBER RING				*		1	
7		22932156		KNEE LIFTER ROTATION ARM ASM.				*		1	
8		NM6060001SE		NUT M6				*		2	
9		SM8063012TR		SCREW M6 L=30				*		2	
10		SM9061853SR		SCREW M6 L=17.5				*		1	
11		22932453		BRACKET ASM.				*		1	
12		22934707		SCREW				*		2	
13		22932305		KNEE PRESS CROSS SHAFT				*		1	
14		22932206		SPRING				*		1	
15		RE1000000K0		E-RING 10				*		1	
16		22934251		KNEE PAD PLATE ASM.						1	
17		22934509		KNEE PAD PLATE COVER				*		1	
18		22934608		KNEE PAD UPRIGHT SHAFT				*		1	
19		22934400		KNEE PAD PLATE RUBBER				*		1	
20		22934202		KNEE PAD PLATE				*		1	
21		22934301		KNEE PAD PLATE SUPPORT				*		1	
22		SM9061203SE		SCREW M6 L=12				*		1	
23		22931703		KNEE LIFTER PUSH ROD						1	

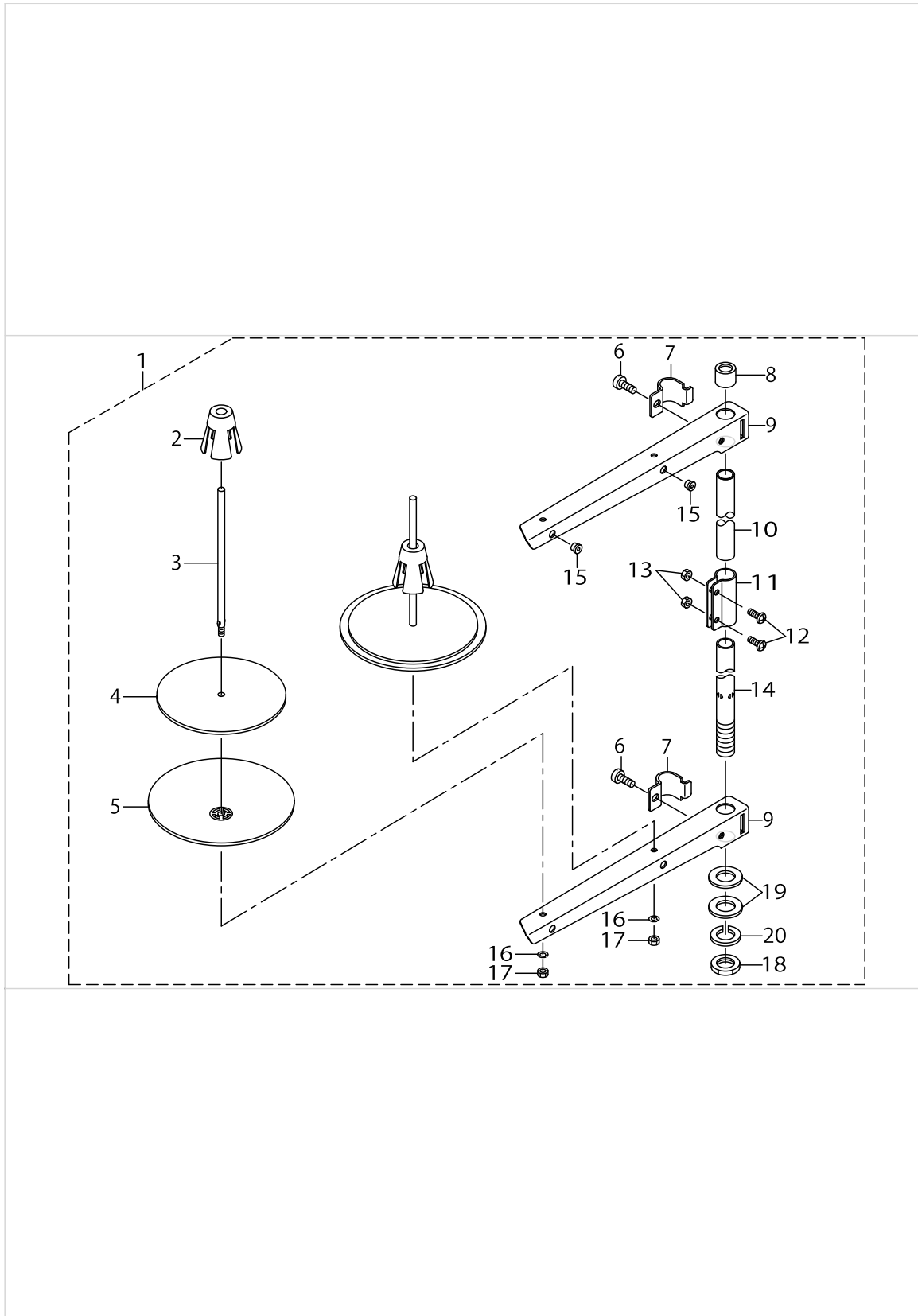
BELT COVER & BOBBIN COMPONENTS



BELT COVER & BOBBIN COMPONENTS

No.	Supply Code	Parts No.	Replacement	Parts name	Remarks	Choice	Step	Level	Cons	Qty	Rep. QTY
1		22933451		BELT COVER ASM.						1	
2	R	22933402	22933451	BELT COVER A				*		1	1.00
3		22933501		BELT COVER A CAP				*		1	
4		22933659		BELT COVER B COMPL.				*		1	
5		22933600		BELT COVER B				*		1	
6	R	22933758	22933659	BELT COVER B LID ASM.				*		1	1.00
7		22933907		BELT COVER STRUT				*		1	
8	R	22934004	11025202	SET SCREW				*		2	1.00
9		SS4121415SP		SCREW 3/16-28 L=14				*		1	
10		WP0501016SD		WASHER 5X10.5X1				*		1	
11	R	SK3412000SC	SK3412000SE	WOOD SCREW D=4.1 L=20				*		2	1.00
12		WP0450826SC		WASHER 4.5X10X0.8				*		2	
13		11415866		BOBBIN WINDER COMPL.						1	
14	R	22928501	11078250	THREAD TENSION POST BASE				*		1	1.00
15		SS4110515SP		SCREW 11/64-40 L=5				*		1	
16	R	22928907	22921506	THREAD TENSION DISK				*		2	1.00
17		22929004		THREAD TENSION SPRING				*		1	
18		22928808		NUT				*		1	
19		SS4110515SP		SCREW 11/64-40 L=5				*		1	
20	D	22928402		CONTROL RUBBER HOLDING PLATE				*		1	
21		22928303		CONTROL RUBBER				*		1	
22		11415908		POSITIONING FINGER				*		1	
23		SD0490261SP		HINGE SCREW D=4.9 H=2.6				*		1	
24		SS7081310SP		SCREW 1/8-44 L=12.5				*		1	
25	R	SS8110510SP	SS8110520TP	SCREW 11/64-40 L=5				*		1	1.00
26	R	22928709	11078250	THREAD TENSION POST				*		1	1.00
27	R	22927305	22927354	BOBBIN WINDER BASE				*		1	1.00
28		22927404		BOBBIN WINDER				*		1	
29		22927602		BOBBIN WINDER SPINDLE				*		1	
30	R	SK3412000SC	SK3412000SE	WOOD SCREW D=4.1 L=20						2	1.00
31		WP0450826SC		WASHER 4.5X10X0.8						2	

THREAD STAND COMPONENTS



THREAD STAND COMPONENTS

No.	Supply Code	Parts No.	Replacement	Parts name	Remarks	Choice	Step	Level	Cons	Qty	Rep. QTY
1	R	22930358	40096354	THREAD STAND ASM.						1	1.00
2	R	22931109	40085791	SPOOL RETAINER				*		2	1.00
3	R	22931000	40085790	SPOOL PIN				*		2	1.00
4		22930903		SPOOL REST CUSHION				*		2	
5		22930804		SPOOL REST				*		2	
6		SM6061610SC		SCREW M6 L=16				*		2	
7	R	22930705	40096354	THREAD GUIDE ARM JOINT				*		2	1.00
8		22931406		SPOOL REST ROD RUBBER CAP				*		1	
9	R	22930507	40096354	SPOOL REST ARM				*		2	1.00
10	R	22930408	40096354	SPOOL REST ROD, UPPER				*		1	1.00
11	R	22931307	40096354	SPOOL REST ROD JOINT				*		1	1.00
12		SM4051405SE		SCREW M5 L=14				*		2	
13		NM6050001SE		NUT M5				*		2	
14	R	22930309	40096354	SPOOL REST ROD, LOWER				*		1	1.00
15		22931208		THREAD GUIDE				*		2	
16		WS0510002KN		SPRING WASHER 5.1X9.2X1.3				*		2	
17		NM6050001SE		NUT M5				*		2	
18		NM6160511SE		NUT M16X1.5				*		1	
19		WP1612616SE		WASHER 16X30X2.6				*		2	
20	R	WS1643202KR	WP1612616SE	SPRING WASHER 16.4X26.6X3.2		A		*		1	2.00
20	R	WS1643202KR	40085796	SPRING WASHER 16.4X26.6X3.2		A		*		1	2.00

HOW TO MAKE USE OF THIS PARTS LIST

1.As to "#01" and "#02" refer to the "Note" given at the bottom of the respective pages.

2.Codes on the "Qty" column

- Each numeral indicates the number of parts required.
- "0.1" and "2.5" indicate the length (in meters) of the respective parts.

3.Parentheses mean that the corresponding part is a subpart that constructs an assembly part.

4.Dotted lines on the Figures indicate assembly parts.

1. リストページの# 0 1、# 0 2の印は、ページ下の"注記"の説明を参照下さい。
2. 数量欄の数字は、個数を表し、0. 1、2. 5等の数値は、長さ（単位メートル）を表します。
3. 数量欄の（ ）は、組部品を構成している子部品であることを意味します。
4. イラストページの-----枠は、組構成であることを意味します。

NUMERICAL INDEX OF PARTS

PART NO	PAGE	REF NO.	PART NO	PAGE	REF NO.	PART NO	PAGE	REF NO.
11001500	2	22	22912000	12	14	22924906	20	14
11002508	6	21	22912109	12	15	22925002	20	15
11403300	8	31	22912505	12	17	22925101	20	7
11404555	20	16	22912703	12	11	22927305	26	27
11404605	20	27	22912901	12	30	22927404	26	28
11404704	8	4	22913008	12	48	22927602	26	29
11415205	2	18	22913008	14	48	22928303	26	21
11415866	26	13	22913503	14	59	22928402	26	20
11415908	26	22	22913701	12	28	22928501	26	14
22888002	16	44	22915003	12	34	22928709	26	26
22901003	2	45	22915151	12	32	22928808	26	18
22901201	2	42	22915201	12	36	22928907	26	16
22901250	2	41	22916308	8	27	22929004	26	17
22901300	2	43	22916506	8	5	22930309	28	14
22901409	8	1	22917058	8	21	22930358	28	1
22901805	4	52	22917157	8	29	22930408	28	10
22902506	2	2	22920003	10	22	22930507	28	9
22902605	4	53	22920102	10	23	22930705	28	7
22903009	6	31	22920201	10	18	22930804	28	5
22903207	6	7	22920300	10	21	22930903	28	4
22903306	6	27	22920409	10	19	22931000	28	3
22903900	6	32	22920607	2	37	22931109	28	2
22904106	6	25	22920904	2	34	22931208	28	15
22904106	18	50	22921209	2	29	22931307	28	11
22904155	6	23	22921308	2	24	22931406	28	8
22904155	12	49	22921407	2	25	22931703	24	23
22904155	14	49	22921506	2	28	22931802	24	2
22904155	18	49	22921605	2	30	22931901	24	3
22905103	8	25	22921803	2	27	22932008	24	4
22905202	8	26	22923015	20	19	22932156	24	7
22906101	8	2	22923205	20	22	22932206	24	14
22907505	10	24	22923312	20	17	22932305	24	13
22907604	10	25	22923403	20	24	22932453	24	11
22907703	10	26	22923502	20	26	22933402	26	2
22907802	10	1	22923601	20	25	22933451	26	1
22908107	10	31	22923700	20	20	22933501	26	3
22908206	10	32	22923809	20	23	22933600	26	5
22908305	10	34	22924005	20	29	22933659	26	4
22908503	10	5	22924153	20	8	22933758	26	6
22908602	10	6	22924302	20	9	22933907	26	7
22908701	10	7	22924401	20	3	22934004	26	8
22908800	10	14	22924500	20	11	22934202	24	20
22908909	10	12	22924609	20	5	22934251	24	16
22909006	10	15	22924708	20	1	22934301	24	21
22911804	12	16	22924807	20	12	22934400	24	19

NUMERICAL INDEX OF PARTS

PART NO	PAGE	REF NO.	PART NO	PAGE	REF NO.	PART NO	PAGE	REF NO.
22934509	24	17	40021622	8	32	40026457	6	8
22934608	24	18	40021623	16	5	40026519	12	6
22934707	24	12	40021625	16	10	40026520	14	53
22940654	12	43	40021627	16	26	40027512	16	21
22940803	12	23	40021628	16	40	40027810	16	12
22945307	2	31	40021629	16	42	40027938	20	39
22958300	2	15	40021630	18	58	40029413	18	47
22962005	2	26	40021635	6	18	40029414	18	48
22962054	2	23	40021770	6	13	40029415	16	25
22966758	12	19	40021772	12	25	40029416	24	1
22972806	14	56	40021773	6	4	40030402	20	41
23626104	2	21	40021774	6	10	40030403	20	40
23630007	22	43	40021775	6	2	40031286	10	39
40017805	10	37	40021782	16	6	40031287	16	36
40021567	2	9	40021787	16	28	40032086	8	12
40021568	10	28	40021788	16	29	40032087	8	13
40021570	10	4	40021790	2	4	40032088	8	15
40021571	12	13	40021791	10	20	40032089	8	17
40021574	6	5	40021907	2	12	40032090	8	19
40021575	6	12	40021938	16	35	40032702	8	24
40021576	16	2	40021999	22	45	40038958	12	8
40021577	16	23	40022000	16	19	40038959	12	5
40021578	16	4	40022003	16	3	40038991	12	7
40021579	16	15	40022646	2	1	40039114	14	46
40021581	16	18	40022647	2	8	40048594	6	20
40021582	16	22	40022772	16	27	40052100	12	18
40021583	16	32	40023030	8	3	B1213012000	18	65
40021584	16	33	40023031	6	33	B1215552000	6	26
40021585	16	34	40023033	16	43	B1226490000	6	28
40021587	16	37	40023223	8	7	B1414012000	12	40
40021588	16	41	40023246	10	36	B1414012000	16	30
40021590	16	45	40023295	2	17	B1414555000	8	6
40021592	2	13	40024117	12	4	B1510155000	10	16
40021593	2	14	40024118	6	19	B1521555000	10	2
40021594	16	38	40024119	12	3	B1706555000	14	58
40021595	16	39	40024122	10	29	B3009141H0A	16	8
40021597	10	38	40024124	8	10	B3010141H00	16	9
40021604	8	8	40024130	12	1	B3015141H00	16	20
40021609	8	36	40024132	10	30	B3016141H00	16	17
40021610	8	34	40024308	12	21	CM300200001	4	48
40021612	8	23	40025328	20	38	CM301200001	4	51
40021613	8	35	40025574	18	53	CM600100101	4	58
40021615	2	35	40026194	12	20	CQ200000000	20	31
40021617	10	27	40026195	12	2	CQ202000000	20	33
40021621	12	27	40026454	6	29	CQ252000000	20	42

NUMERICAL INDEX OF PARTS

PART NO	PAGE	REF NO.	PART NO	PAGE	REF NO.	PART NO	PAGE	REF NO.
CQ300000F0	20	37	SS4112215SP	4	55	SS8660610TP	10	10
EA9500B0000	20	34	SS4120615SP	2	20	SS8660610TP	12	50
MDP170B2100	8	11	SS4120615SP	20	44	SS8660610TP	14	50
NM6050001SE	28	17	SS4120615SP	22	44	SS8660610TP	18	51
NM6060001SE	24	8	SS4120915SP	2	40	SS8660612TP	18	66
NM6160511SE	28	18	SS4120915SP	8	28	SS8660810TP	6	6
NS6150310SP	16	52	SS4120915SP	18	64	SS8660810TP	8	20
NS6150310SP	18	52	SS4121015SP	4	47	SS8661030SP	6	35
NS6160520SP	18	54	SS4121415SP	26	9	SS8681650TP	6	14
NS6680320SP	18	57	SS4150915SP	20	13	TA0850604R0	2	5
NS6680410SP	12	31	SS4701415SD	4	49	TA0950806R0	4	56
NS6680410SP	18	56	SS6060210SP	2	44	TA1250406R0	2	39
RC0150001KP	12	42	SS6080320SP	2	3	TA1250705R0	2	6
RC1850001KP	6	22	SS6090910SP	10	11	TA2000502R0	2	10
RE0400000K0	16	31	SS6110420TP	8	30	TA2050406R0	2	57
RE0500000K0	10	35	SS6110610TP	2	38	TA2050406R0	4	57
RE1000000K0	24	15	SS6111010TP	20	28	TA2101002R0	2	11
RO029180100	6	3	SS6121210SP	12	33	TA2351004R0	2	16
RO037180100	10	3	SS6121860SP	12	12	WP0450826SC	26	31
RO044240100	6	16	SS6151412TP	16	7	WP0480856SP	12	45
RO078190100	14	51	SS6700710SH	24	5	WP0501016SD	26	10
RO092270200	12	29	SS7080510TP	8	9	WP0650876SD	16	11
RO098240100	24	6	SS7081310SP	26	24	WP1612616SE	28	19
RO195240100	20	2	SS7090610SP	16	1	WS0510002KN	28	16
SD0490261SP	26	23	SS7091110SP	18	62	WS1643202KR	28	20
SD0720331SP	10	13	SS7091110TP	10	8			
SD0850751SP	16	24	SS7110540SP	4	50			
SD1000801SH	12	35	SS7110740TP	12	41			
SD1020961SP	18	60	SS7111120TP	14	47			
SE4301041SR	20	21	SS7120910TP	14	52			
SK3412000SC	26	30	SS7121410TP	12	44			
SL4030851SF	20	18	SS7121410TP	18	61			
SM4051055SP	6	9	SS7620750SP	14	57			
SM4051405SE	28	12	SS7681650TP	6	17			
SM6061610SC	28	6	SS8090670SP	2	32			
SM8061010TP	12	10	SS8110410TP	8	22			
SM8061050TP	12	9	SS8110410TP	14	55			
SM8063012TR	24	9	SS8110510SP	26	25			
SM9061203SE	24	22	SS8150710TP	2	33			
SM9061853SR	24	10	SS8150710TP	16	16			
SS2110915SP	4	54	SS8151150TP	6	1			
SS2110920TP	2	36	SS8151150TP	16	46			
SS4080620TP	12	26	SS8151550SP	6	30			
SS4110515SP	26	19	SS8660410SP	6	15			
SS4110915TP	8	33	SS8660610TP	6	34			