

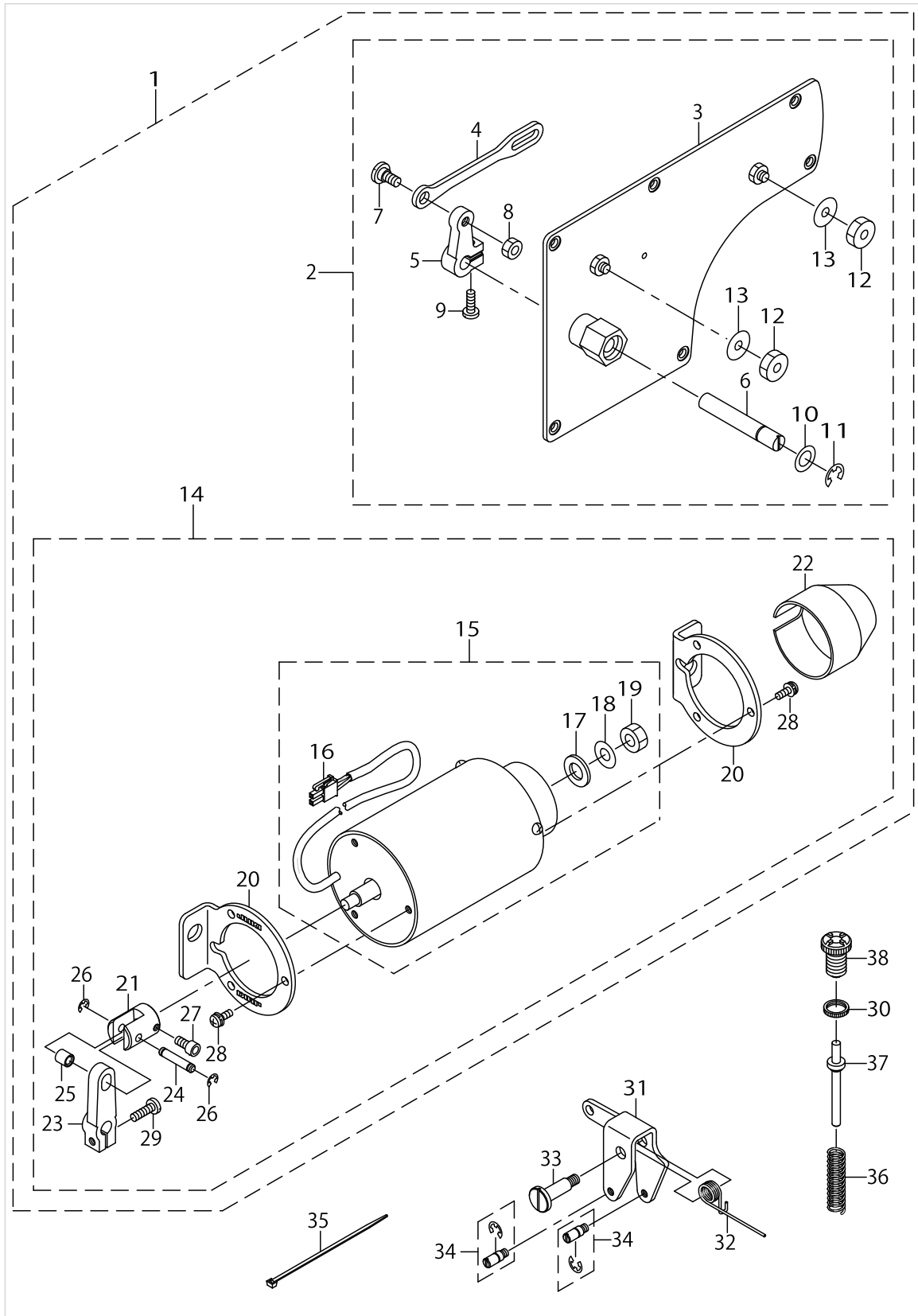
MODEL : AK138
List No : 1471-00

PARTS LIST

Published:05/12/2017

CONTENTS

AK138.....	1
HOW TO MAKE USE OF THIS PARTS LIST	3



AK138

No.	Supply Code	Parts No.	Replacement	Parts name	Remarks	Choice	Step	Level	Cons	Qty	Rep. QTY
1	R	40037163	40056719	AK DEVICE ASM.						1	1.00
2		40037162		SIDE PLATE ASM.				*		1	
3		40037160		SIDEPLATEBCOMPL.				*		1	
4		GAKA1826000		SOLENOID LINK				*		1	
5		GAK33027000		SOLENOID ARM				*		1	
6		22991400		SOLENOID SHAFT				*		1	
7		SD0800352SP		HINGE SCREW D= 8 H= 3.5				*		1	
8		NS6150310SP		NUT 15/64-28				*		1	
9	R	SS7121410SP	SS7121410TP	SCREW 3/16-28 L=14				*		1	1.00
10		WP1021016SD		WASHER 10.2X18X1				*		1	
11		RE0700000K0		E-RING 7				*		1	
12		NS6150440SP		NUT 15/64-28				*		2	
13		WP0621036SP		WASHER				*		2	
14	R	GAK840300BA	40101423	AK"SOLENOIDASM.B				*		1	1.00
15	R	GAK840300AA	40101423	AK"SOLENOIDASM.A				*		1	1.00
16		HK034610020		2-POLE NYLON PLUG				*		1	
17		GAK33031000		SOLENOIDRUBBER,A				*		1	
18		WP0851846SC		WASHER 8.5X22.0X1.8				*		1	
19		NM6080600SM		NUT M8				*		1	
20	D	GAKA1834000		SOLENOID BASE				*		2	
21		GAK33035000		SOLENOID COLLAR				*		1	
22		GAK3303600A		SOLENOID COVER				*		1	
23		GAK33011000		SOLENOID ARM, A				*		1	
24		GAK33012000		SOLENOID PIN				*		1	
25		GAK33013000		SOLENOID PIN COLLAR				*		1	
26		RE0400000KP		E-RING 4				*		2	
27		SM6051002TP		SCREW M5X0.8 L=10				*		1	
28		SS4120915SP		SCREW 3/16-28 L=9				*		6	
29		SS7121610SP		SCREW 3/16-28 L=15.5				*		1	
30		M2010110000		ADJUST NUT						1	
31		GAKA1841000		KNEE LIFTER LINK						1	
32		GAKA1842000		KNEE LIFTER LINK SPRING						1	
33	R	SD0802126TP	40082079	SHOULDER SCREW D=8 H=21.2						1	1.00
34		GAK330400A0		SHAFT PIN ASM.						2	
35		HX000430000		CLIP						1	
36		M4011351000		SPRING B						2	
37		M4009351000A		SPRING SHAFT B						1	
38		M4012351000		ADJUST SCREW						1	

HOW TO MAKE USE OF THIS PARTS LIST

1.As to "#01" and "#02" refer to the "Note" given at the bottom of the respective pages.

2.Codes on the "Qty" column

- Each numeral indicates the number of parts required.
- "0.1" and "2.5" indicate the length (in meters) of the respective parts.

3.Parentheses mean that the corresponding part is a subpart that constructs an assembly part.

4.Dotted lines on the Figures indicate assembly parts.

1. リストページの# 0 1、# 0 2の印は、ページ下の"注記"の説明を参照下さい。
2. 数量欄の数字は、個数を表し、0. 1、2. 5等の数値は、長さ（単位メートル）を表します。
3. 数量欄の（ ）は、組部品を構成している子部品であることを意味します。
4. イラストページの-----枠は、組構成であることを意味します。

NUMERICAL INDEX OF PARTS

PART NO	PAGE	REF NO.
22991400	2	6
40037160	2	3
40037162	2	2
40037163	2	1
GAK33011000	2	23
GAK33012000	2	24
GAK33013000	2	25
GAK33027000	2	5
GAK33031000	2	17
GAK33035000	2	21
GAK3303600A	2	22
GAK330400A0	2	34
GAK840300AA	2	15
GAK840300BA	2	14
GAKA1826000	2	4
GAKA1834000	2	20
GAKA1841000	2	31
GAKA1842000	2	32
HK034610020	2	16
HX000430000	2	35
M2010110000	2	30
M4009351000A	2	37
M4011351000	2	36
M4012351000	2	38
NM6080600SM	2	19
NS6150310SP	2	8
NS6150440SP	2	12
RE0400000KP	2	26
RE0700000K0	2	11
SD0800352SP	2	7
SD0802126TP	2	33
SM6051002TP	2	27
SS4120915SP	2	28
SS7121410SP	2	9
SS7121610SP	2	29
WP0621036SP	2	13
WP0851846SC	2	18
WP1021016SD	2	10