

MODEL : MF-7724-U10-D60 A仕様

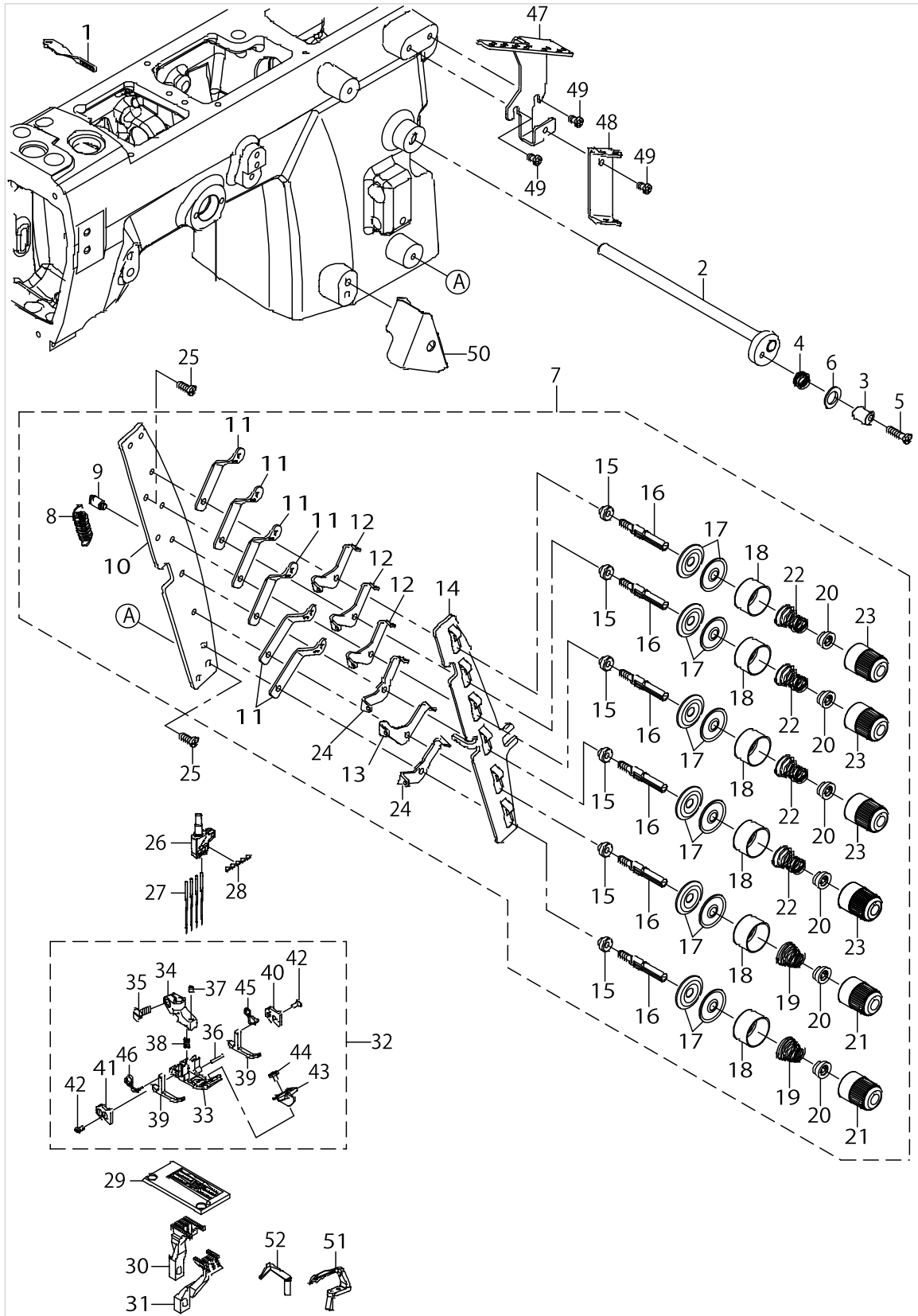
List No : 1476-00

PARTS LIST

Published:05/12/2017

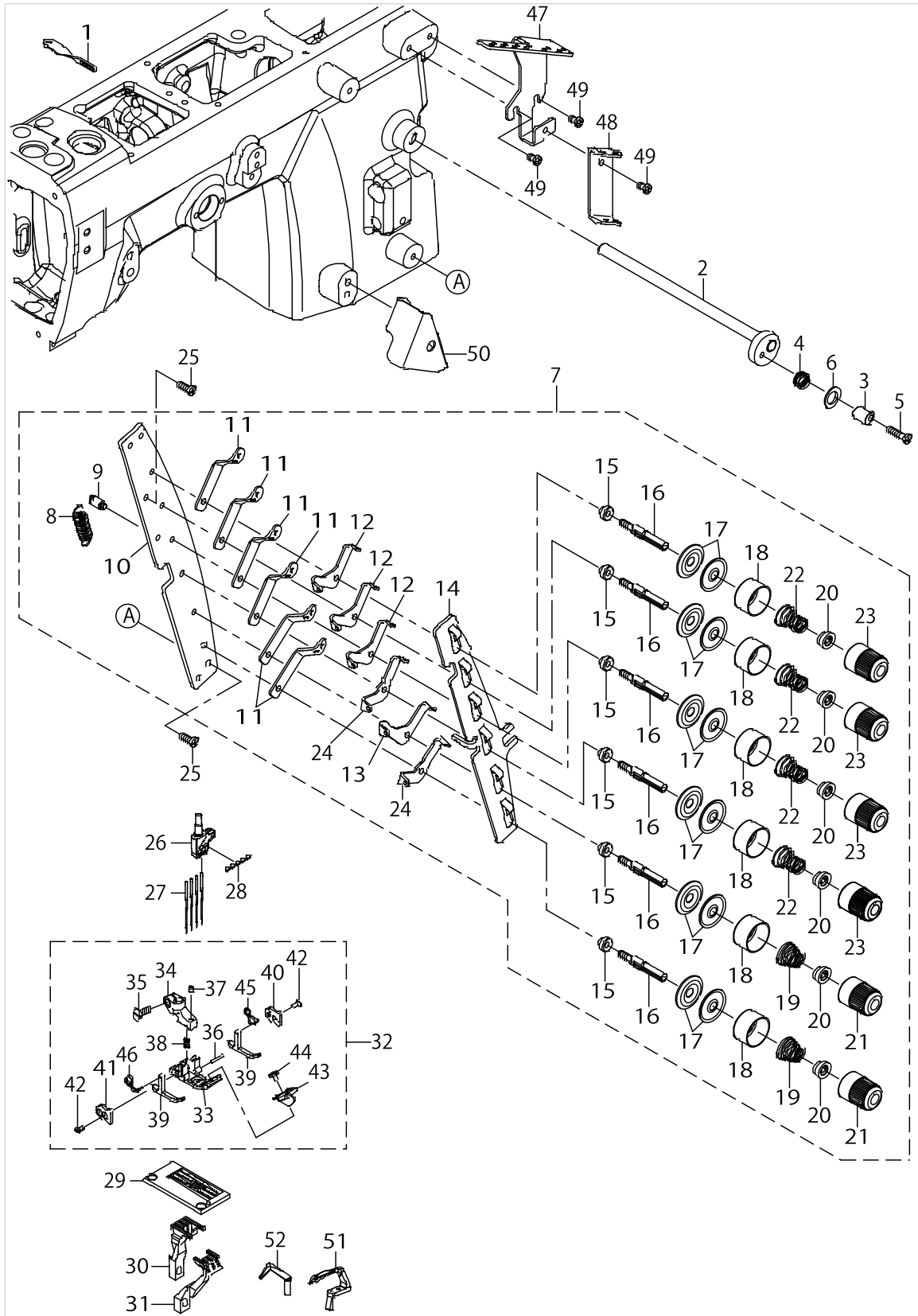
CONTENTS

MF-7724-U10-D60 (1)	1
MF-7724-U10-D60 (2)	5
HOW TO MAKE USE OF THIS PARTS LIST	7



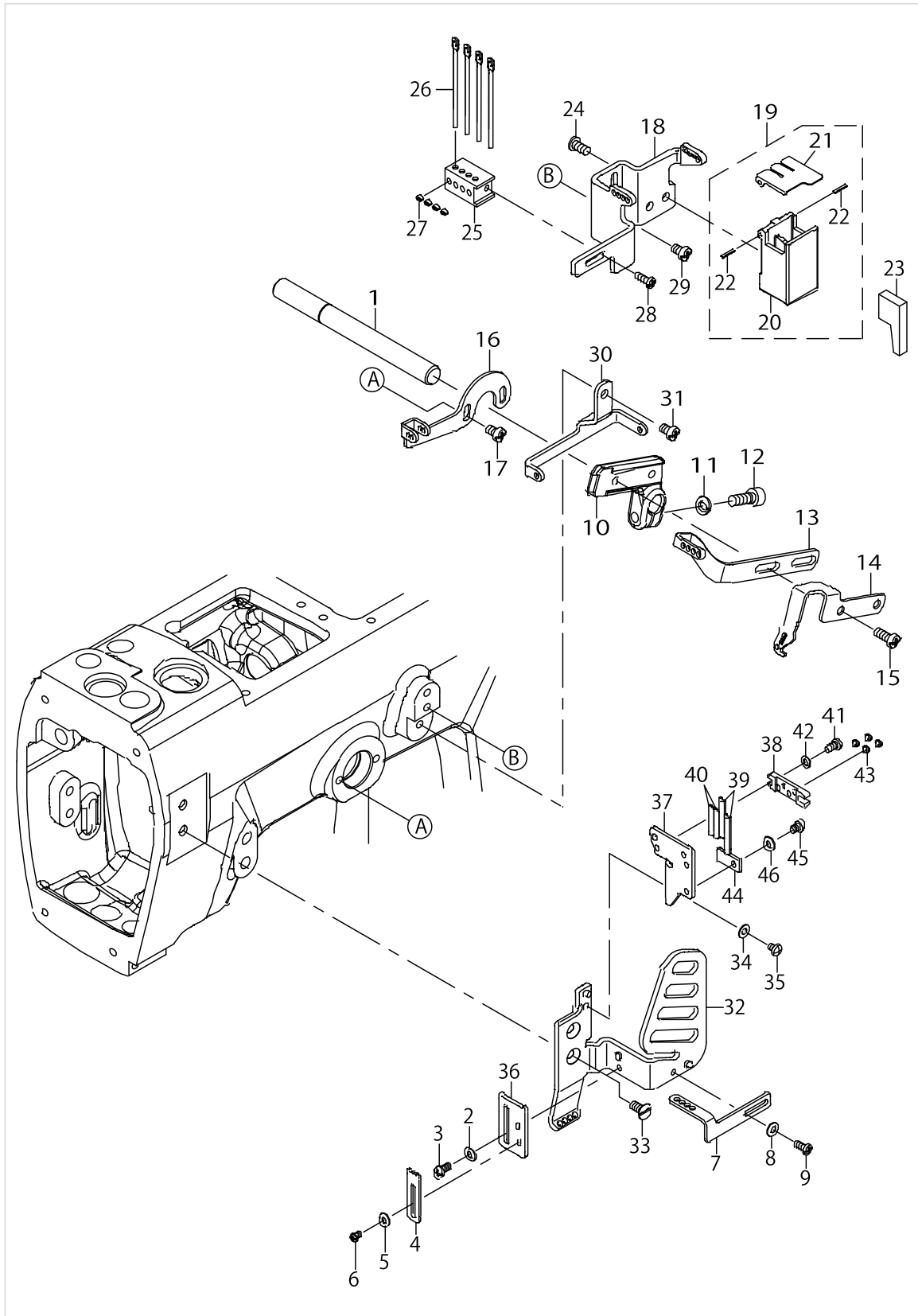
MF-7724-U10-D60 (1)

No.	Supply Code	Parts No.	Replacement	Parts name	Remarks	Choice	Step	Level	Cons	Qty	Rep. QTY
1		40052932		NEEDLE BAR EYELET						1	
2		13341359		ASSY PULL OFF LEVER						1	
3		13341409		TENS RELEASE ADJ ECC						1	
4		13341508		SPRING						1	
5		SM4041655SP		SCREW M4 L=16						1	
6		WP0961046SC		WASHER						1	
7		40040066		THREAD_TENSION_ASSY						1	
8		B2008372000		THREAD TENSION SPRING				*		1	
9		13340302		SHOULDER SCREW				*		1	
10		40040094		TENSION_POST_SUPPORT				*		1	
11		13340609		THREAD LEAD IN GUIDE				*		6	
12	R	13341607	40040066	TENSION_DISC_EYELET_2		B	MF-7724-U10-D60	*		3	1.00
12	R	13341607	40066136	TENSION_DISC_EYELET_2				*		3	1.00
13		13340500		TENSION DISC EYELET				*		1	
14		40040093		TENSION_DISK_SEPARATOR				*		1	
15		13340708		SPACER				*		6	
16		40042362		TENSION POST				*		6	
17		13138201		THREAD TENSION DISK				*		12	
18		40042366		THREAD TENSION DISK PRESSER				*		6	
19	R	B3121804000	40102003	TENSION SPRING				*		2	1.00
20		40042365		SPRING BUSHING				*		6	
21		40042363		KNOB				*		2	
22		13140504		TENSION SPRING				*		4	
23		40042364		KNOB GREEN				*		4	
24		40043776		TENSION_DISC_EYELET_3				*		2	
25		SM4041055SP		SCREW						2	
26		40049609		NEEDLE_HEAD_60_ASSY						1	
27		MSM101B1000		NEEDLE SMX1014B #10S						4	
28		SM8030350TP		SCREW						5	
29		40049382		THROAT PLATE						1	
30		13353701		MAIN_FEED_DOG						1	
31		13357603		DIFF_FEED_DOG						1	
32		40049394		PRESSER_FOOT_ASSY						1	
33		40049383		PRESSER_FOOT_BOTTOM				*		1	
34	R	13375506	13375050	PRESSER_FOOT_HINGE		A	A:MF-7723-U10-B56	*		1	1.00
34	R	13375506	13376058	PRESSER_FOOT_HINGE		B	B:MF-7723-U10-B48	*		1	1.00
34	R	13375506	40049394	PRESSER_FOOT_HINGE		C	C:PRESSER for 7724-D60	*		1	1.00
35		SM6040800SP		SCREW				*		1	
36		13375209		PIVOT_PIN				*		1	
37		SM8030412TP		SCREW				*		1	
38		13377106		SPRING				*		1	
39	R	13375100	13375050	P_F_YIELDING_SECTION		A	A:MF-7723-U10-B56	*		2	1.00
39	R	13375100	13376058	P_F_YIELDING_SECTION		B	B:MF-7723-U10-B48	*		2	1.00
39	R	13375100	40049394	P_F_YIELDING_SECTION		C	C:PRESSER for 7724-D60	*		2	1.00



MF-7724-U10-D60 (1)

No.	Supply Code	Parts No.	Replacement	Parts name	Remarks	Choice	Step	Level	Cons	Qty	Rep. QTY
40	R	13375704	13375050	GUIDE_PLATE_R		A	A:MF-7723-U10-B56	*		1	1.00
40	R	13375704	13376058	GUIDE_PLATE_R		B	B:MF-7723-U10-B48	*		1	1.00
40	R	13375704	40049394	GUIDE_PLATE_R		C	C:PRESSER for 7724-D60	*		1	1.00
41	R	13375605	13375050	GUIDE_PLATE_L		A	A:MF-7723-U10-B56	*		1	1.00
41	R	13375605	13376058	GUIDE_PLATE_L		B	B:MF-7723-U10-B48	*		1	1.00
41	R	13375605	40049394	GUIDE_PLATE_L		C	C:PRESSER for 7724-D60	*		1	1.00
42		SM1850600SP		SCREW				*		4	
43		13376900		PRESSER_FOOT_GUIDE				*		1	
44		13377007		SCREW				*		1	
45		13375407		SPRING_R				*		1	
46		13375308		SPRING_L				*		1	
47		40034355		THREAD_GUIDE_PLATE						1	
48		13340104		THREAD GUIDE						1	
49		SM4040655SP		SCREW M4 L=6						3	
50		40056782		THREAD COVER						1	
51		40051448		LOOPERMF7724-D60						1	
52		40052924		REAR NDL GUARD						1	



MF-7724-U10-D60 (2)

No.	Supply Code	Parts No.	Replacement	Parts name	Remarks	Choice	Step	Level	Cons	Qty	Rep. QTY
1		13324306		SHAFT						1	
2		WP0320501SC		WASHER M3						1	
3		SM4030655SP		SCREW						1	
4		13327002		THD STRIKE OFF PLATE R						1	
5		WP0280501SC		WASHER M2.6						1	
6		SM4850455SP		SCREW						1	
7		40034359		THREAD_GUIDE						1	
8		WP0320501SC		WASHER M3						1	
9		SM4030655SP		SCREW						1	
10		13324702		HOLDER TAKE UP EYELET						1	
11		WS0510002KN		SPRING WASHER						1	
12		SM6051402TP		SCREW M5X0.8 L=14						1	
13		40034360		NDL_THREAD_TAKE_UP						1	
14		13324900		UP LPR THREAD TAKE UP						1	
15		SM4041055SP		SCREW						2	
16		40052929		THREAD GUIDE						1	
17		SM4040655SP		SCREW M4 L=6						2	
18		40034356		THREAD_TENSION_GUIDE						1	
19		40034742		SILICON_OIL_TANK_ASSY						1	
20		40034366		TANK				*		1	
21		B9213850000		SILICONE OIL TANK COVER, UPPER				*		1	
22		PS0150082KH		SPRING PIN				*		2	
23		B9214850000		HEAT REMOVING FELT						1	
24		ST4040851SN		TAPPING SCREW M4X8						2	
25		40034358		HOLDER						1	
26	R	30391601	40074316	NEEDLE THREAD EYELET						4	1.00
27		SM8030350TP		SCREW						4	
28		SM4030855SN		SCREW M3 L=8.0						1	
29		SM4040655SP		SCREW M4 L=6						2	
30		13325402		THREAD GUIDE						1	
31		SM4040655SP		SCREW M4 L=6						1	
32		40034354		COVER						1	
33		SM1040800SP		SCREW						2	
34		WP0320501SC		WASHER M3						1	
35		SM4030455SP		SCREW						1	
36		13325600		THD STRIKE OFF PLATE						1	
37		40052928		NDL THD STRIKE OFF						1	
38		40052926		GUIDE BRACKET						1	
39		40052925		NDL THD STRIKE OFF PLATE						2	
40		40052927		NDL THD STRIKE OFF PLATE M						2	
41		SM4030655SP		SCREW						2	
42		WP0320500SC		WASHER M3						2	
43		SM8030350TP		SCREW						4	
44		40056758		NDL THD STRIKE OFF						1	
45		SM4030455SP		SCREW						1	
46		WP0320501SC		WASHER M3						1	

HOW TO MAKE USE OF THIS PARTS LIST

1.As to "#01" and "#02" refer to the "Note" given at the bottom of the respective pages.

2.Codes on the "Qty" column

- Each numeral indicates the number of parts required.
- "0.1" and "2.5" indicate the length (in meters) of the respective parts.

3.Parentheses mean that the corresponding part is a subpart that constructs an assembly part.

4.Dotted lines on the Figures indicate assembly parts.

1. リストページの# 0 1、# 0 2の印は、ページ下の"注記"の説明を参照下さい。
2. 数量欄の数字は、個数を表し、0. 1、2. 5等の数値は、長さ（単位メートル）を表します。
3. 数量欄の（ ）は、組部品を構成している子部品であることを意味します。
4. イラストページの-----枠は、組構成であることを意味します。

ALL PARTS NOT MENTIONED IN THIS PARTS LIST ARE SAME AS THOSE OF
MODEL MF-7700 OTHER PARTS LIST RELATED TO THIS MODEL.
*MF-7700 SERIES(NO.1375 PART NO.13370002)

このパーツリスト記載以外の部品はMF-7700と共通です。
この機種に関連するパーツリストとして下記のパーツリストがあります。
*MF-7700シリーズ（NO. 1375 品番13370002）

NUMERICAL INDEX OF PARTS

PART NO	PAGE	REF NO.	PART NO	PAGE	REF NO.
13138201	2	17	40042366	2	18
13140504	2	22	40043776	2	24
13324306	6	1	40049382	2	29
13324702	6	10	40049383	2	33
13324900	6	14	40049394	2	32
13325402	6	30	40049609	2	26
13325600	6	36	40051448	4	51
13327002	6	4	40052924	4	52
13340104	4	48	40052925	6	39
13340302	2	9	40052926	6	38
13340500	2	13	40052927	6	40
13340609	2	11	40052928	6	37
13340708	2	15	40052929	6	16
13341359	2	2	40052932	2	1
13341409	2	3	40056758	6	44
13341508	2	4	40056782	4	50
13341607	2	12	B2008372000	2	8
13353701	2	30	B3121804000	2	19
13357603	2	31	B9213850000	6	21
13375100	2	39	B9214850000	6	23
13375209	2	36	MSM101B1000	2	27
13375308	4	46	PS0150082KH	6	22
13375407	4	45	SM1040800SP	6	33
13375506	2	34	SM1850600SP	4	42
13375605	4	41	SM4030455SP	6	45
13375704	4	40	SM4030655SP	6	41
13376900	4	43	SM4030855SN	6	28
13377007	4	44	SM4040655SP	4	49
13377106	2	38	SM4040655SP	6	31
30391601	6	26	SM4041055SP	2	25
40034354	6	32	SM4041055SP	6	15
40034355	4	47	SM4041655SP	2	5
40034356	6	18	SM4850455SP	6	6
40034358	6	25	SM6040800SP	2	35
40034359	6	7	SM6051402TP	6	12
40034360	6	13	SM8030350TP	2	28
40034366	6	20	SM8030350TP	6	43
40034742	6	19	SM8030412TP	2	37
40040066	2	7	ST4040851SN	6	24
40040093	2	14	WP0280501SC	6	5
40040094	2	10	WP0320500SC	6	42
40042362	2	16	WP0320501SC	6	46
40042363	2	21	WP0961046SC	2	6
40042364	2	23	WS0510002KN	6	11
40042365	2	20			