

MODEL : MB-1373/MB-1377

List No : 1493-02

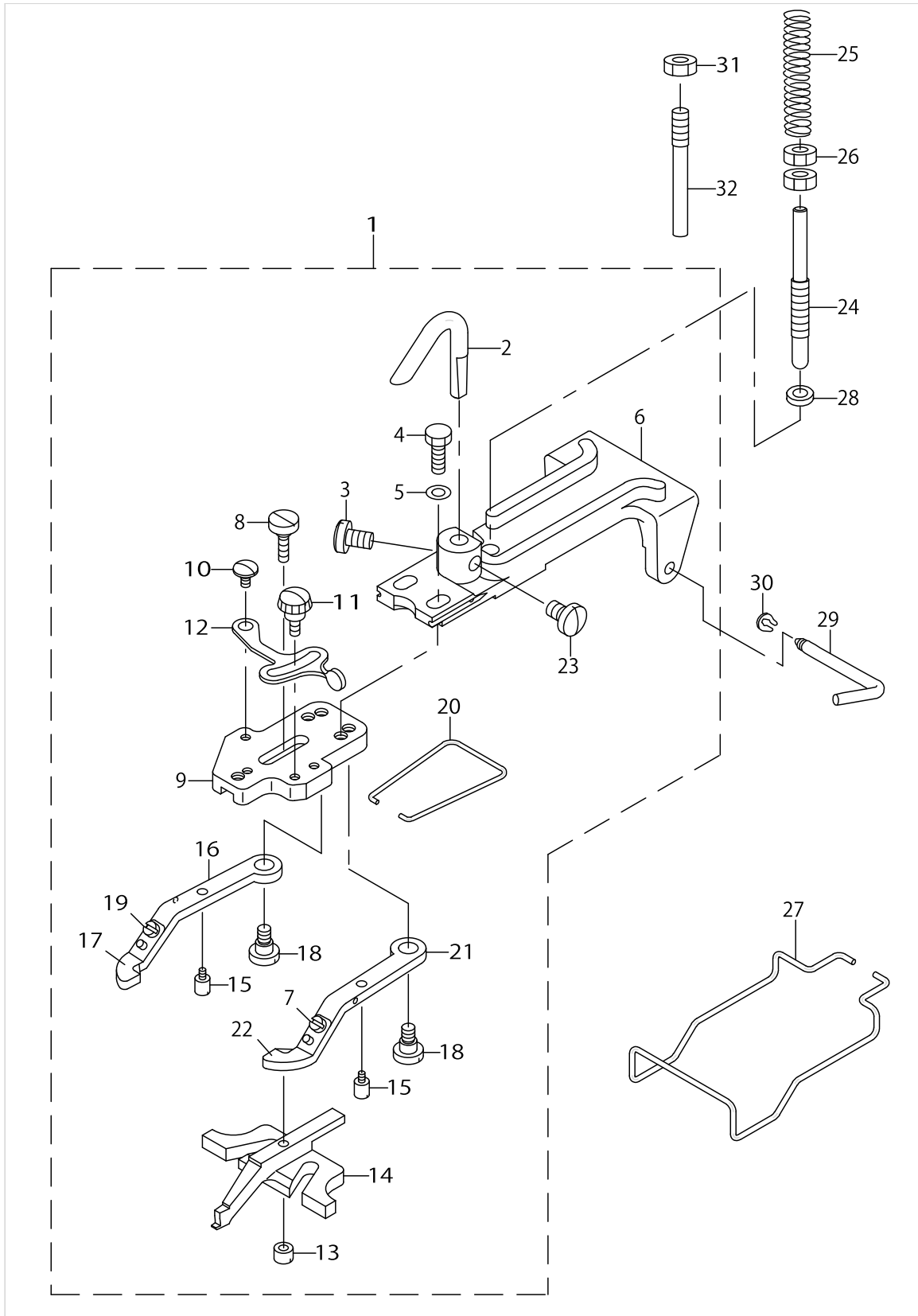
PARTS LIST

Published:05/12/2017

CONTENTS

BUTTON CLAMP MECHANISM COMPONENTS	1
ARM & MISCELLANEOUS COVERS COMPONENTS.....	3
LOOPER SHAFT MECHANISM COMPONENTS	7
NIPPER & THREAD TENSION PARTS COMPONENTS	11
FEED PLATE COMPONENTS	15
BUTTON CLAMP LIFTER COMPONENT	19
NEEDLE DRIVING PULLEY SHAFT COMPONENTS	23
NEEDLE BAR DRIVING MECHANISM COMPONENTS.....	25
STOP MOTION MECHANISM COMPONENTS	27
STITCH SELECTING PARTS COMPONENTS	29
THREAD BIND NOTCH COMPONENTS(FOR MB-1377).....	31
THREAD STAND COMPONENTS.....	33
TABLE & STAND COMPONENTS.....	35
ACCESSORIE PARTS COMPONENTS	37
SPECIAL ORDER SPEC COMPONENTS.....	39
SUBCLASS COMPONENTS(FOR MB-1373-11).....	41
HOW TO MAKE USE OF THIS PARTS LIST	43

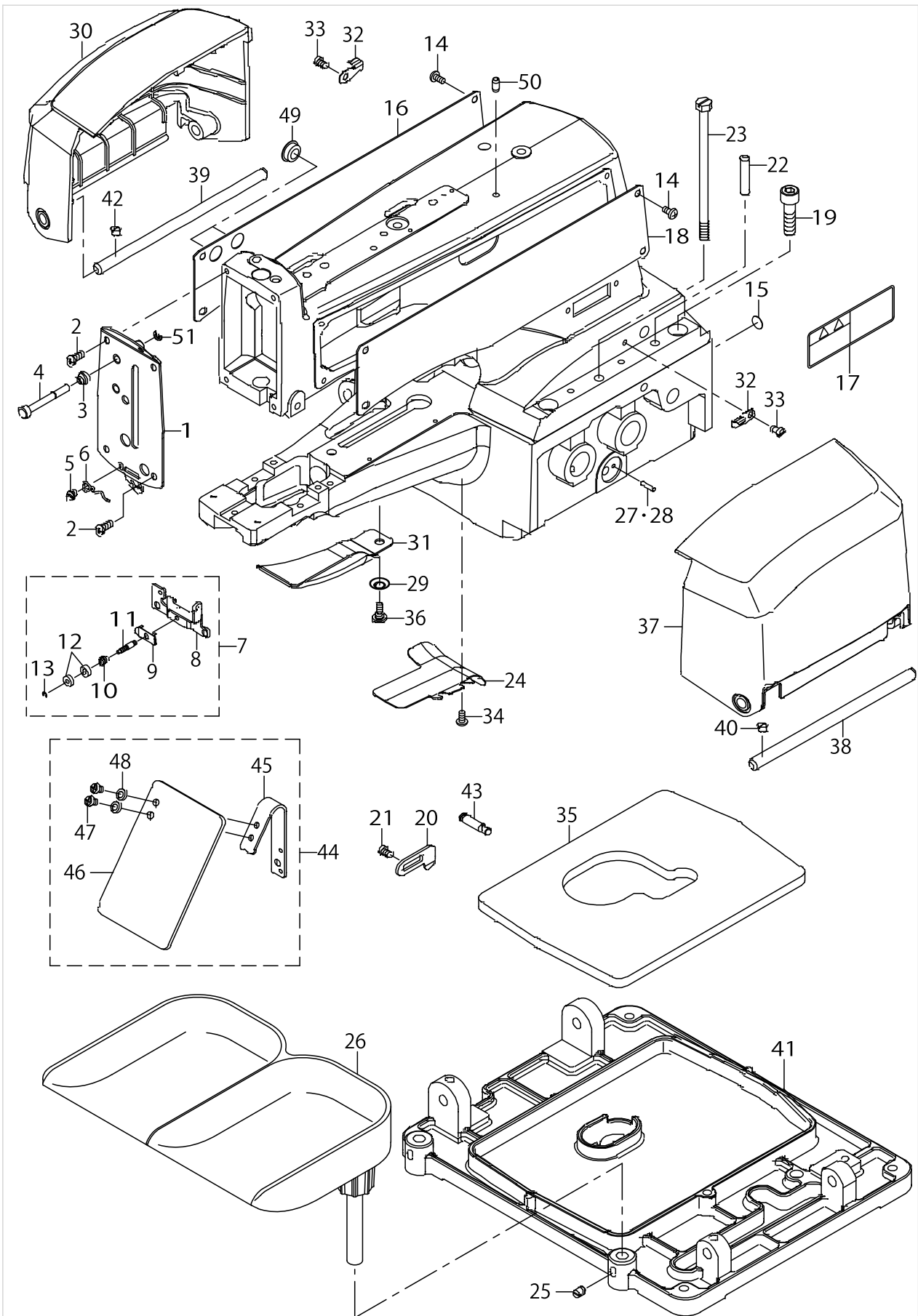
BUTTON CLAMP MECHANISM COMPONENTS



BUTTON CLAMP MECHANISM COMPONENTS

No.	Supply Code	Parts No.	Replacement	Parts name	Remarks	Choice	Step	Level	Cons	Qty	Rep. QTY
1		26026856		PICK-UP DEVICE ASM.						1	
2		40041058		BUTTON CLAMP LIFTING HOOK				*		1	
3		SS7150940SP		SCREW 15/64-28 L=9				*		1	
4		SS9621413SP		SCREW 3/16-32 L=13.5				*		2	
5		WP0501016SD		WASHER 5X10.5X1				*		2	
6		26025502		BUTTON CLAMP HOLDER				*		1	
7		SS7090410SP		SCREW 9/64-40 L=3.5				*		1	
8		SD0550301SP		HINGE SCREW D=5.5 H=3				*		1	
9		26025403		JAW LEVER HOLDER				*		1	
10		SD0550181SP		HINGE SCREW D= 5.50 H= 1.8				*		1	
11		26025809		CLAMP SCREW A				*		1	
12	R	26025700	B2548372000	SNAP FASTENER C-LAMP STOP LEVER				*		1	1.00
13		26026005		NUT				*		1	
14		26025908		BUTTON CLAMP SLIDE				*		1	
15		26026609		BUTTON CLAMP STOP PIN				*		2	
16	R	26026104	B2555372000	BUTTON CLAMP LEVER JAW (LEFT)				*		1	1.00
17	R	26026203	B2556372000	BUTTON HOLDING SPRING, LEFT				*		1	1.00
18		SD0640391TP		HINGE SCREW D= 6.35 H= 3.9				*		2	
19		SS7090410SP		SCREW 9/64-40 L=3.5				*		1	
20	R	26026708	B2561372000	BUTTON CLAMP SPRING				*		1	1.00
21	R	26026302	B2557372000	BUTTON CLAMP LEVER JAW RIGHT				*		1	1.00
22	R	26026401	B2558372000	BUTTON HOLDING SPRING, RIGHT				*		1	1.00
23		SS7150940SP		SCREW 15/64-28 L=9				*		1	
24		40040938		BUTTON_CLAMP_PRESSURE_ADJUSTIN						1	
25		26027102		PRESSURE ADJUSTING SPRING						1	
26		NM6060001CP		NUT M6						2	
27		26027409		FINGER GUARD						1	
28		40041069		SPRING_HOLDING_PLATE						1	
29		26025205		HINGE PIN						1	
30		B2541372000		SNAP RING						1	
31		NM6060001CP		NUT M6						1	
32		40040937		PICK_UP_DEVICE_STOPPER_PIN						1	

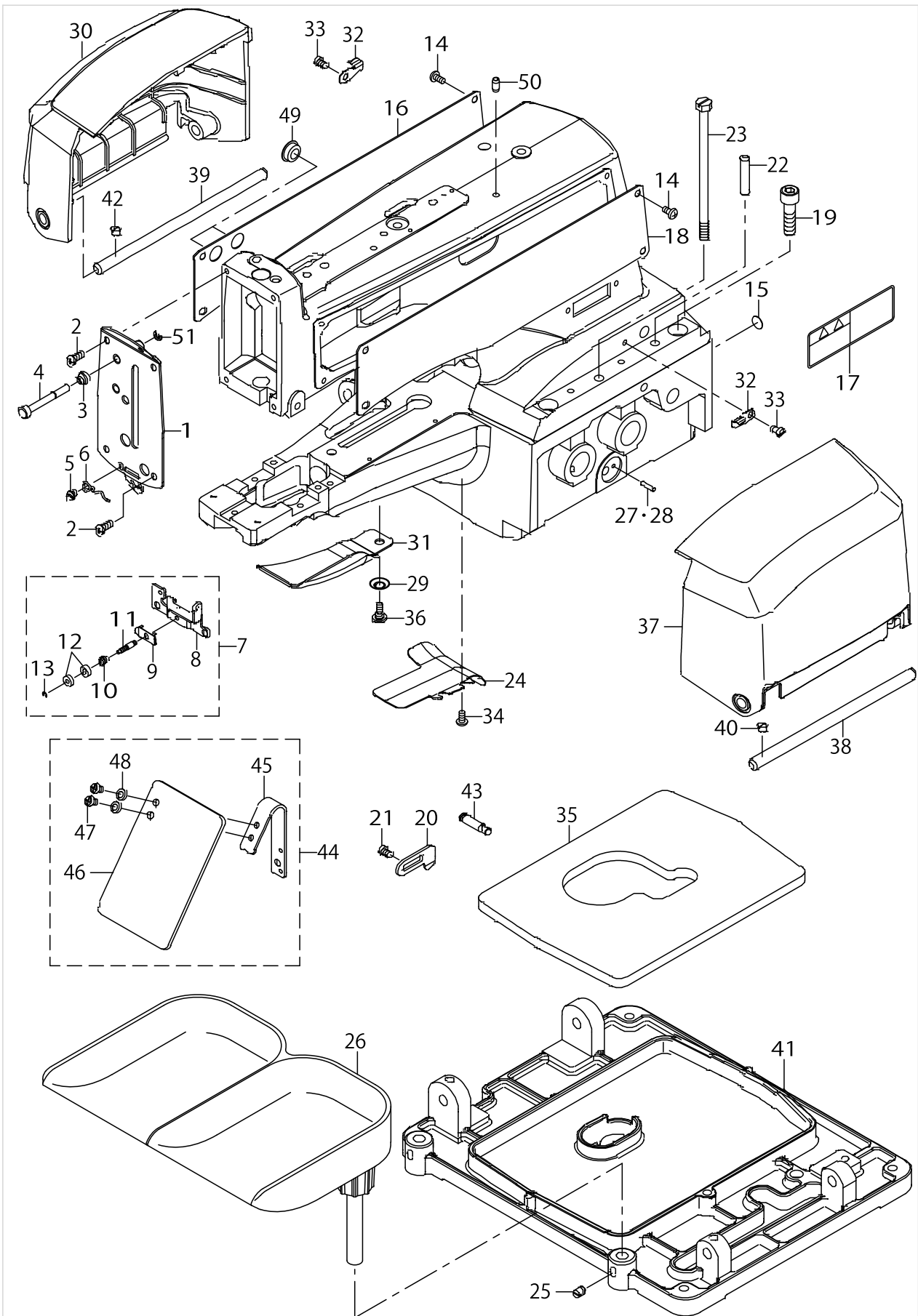
ARM & MISCELLANEOUS COVERS COMPONENTS



ARM & MISCELLANEOUS COVERS COMPONENTS

No.	Supply Code	Parts No.	Replacement	Parts name	Remarks	Choice	Step	Level	Cons	Qty	Rep. QTY
1		40038426		FACE_PLATE_COMPL.						1	
2		SM4040855SP		SCREW						4	
3		26021600		TENSION SPRING						1	
4		26032003		NIPPER RELEASING STUD						1	
5		SM6040650TP		SCREW						1	
6		26031203		THREAD GUIDE NO.4						1	
7		26031351		THREAD TENSION NO.3 ASM.						1	
8		26031302		TENSION ADJUSTING BASE NO.3				*		1	
9	R	26031401	10129104	THREAD PRESSER PLATE				*		1	1.00
10	R	26031500	B1136850000	TENSION SPRING B				*		1	1.00
11	R	26031609	25002809	THREAD TENSION STUD				*		1	1.00
12	R	26031708	26031351	THREAD TENSION NUT				*		2	1.00
13		RE0200000K0		E-RING 2				*		1	
14		SM4040855SP		SCREW						8	
15		TA2050406R0		RUBBER PLUG						1	
16		40040931		SIDE_COVER_RIGHT						1	
17		CM301300001		SAFETY LABEL						1	
18		40040932		SIDE_COVER_LEFT						1	
19		SM6083042CH		SCREW M8 L=30						4	
20		26033704		STOPPER						1	
21		SM6050800SP		SCREW M5 L=8						2	
22		26011205		GUIDE PIN						2	
23		40038483		SET_SCREW						1	
24		40038431		BED_OIL_SHIELD						1	
25		SM8060610TP		SCREW						1	
26		40041022		BUTTON_TRAY_ASM.						1	
27		26022608		CAM INDICATING PIN A	SELECTIVE PARTS					2	
28		26022707		CAM INDICATING PIN B	SELECTIVE PARTS					2	
29		WS0650389KP		SPRING WASHER 6.5X14.0X17						1	
30		40038425		SIDE_COVER_LEFT						1	
31		40038430		LOOPER_COVER						1	
32		40041067		SIDE_COVER_SPRING						2	
33		SM6040600SP		SCREW M4 L=6						2	
34		SM4040855SP		SCREW						2	
35		40038173		OIL_DRIP_FELT						1	
36		SD0600277TP		SHOULDER SCREW D=6 H=2.7						1	
37		40038424		SIDE_COVER_RIGHT						1	
38		40040936		SIDE_COVER_HINGE_SHAFT_RIGHT						2	
39		40040935		SIDE_COVER_HINGE_SHAFT_LEFT						1	
40		SM8060612TP		SCREW M6 L=6						1	
41		40038446		MACHINE_SUB_BASE						1	
42		SM8060612TP		SCREW M6 L=6						1	
43		40038471		SUSPENSION_SCREW_B						1	
44		40054729		ASSY SAFETY PLATE						1	
45		40054730		SAFETY PLATE INSTALLING BASE				*		1	
46		26037200		SAFETY PLATE				*		1	

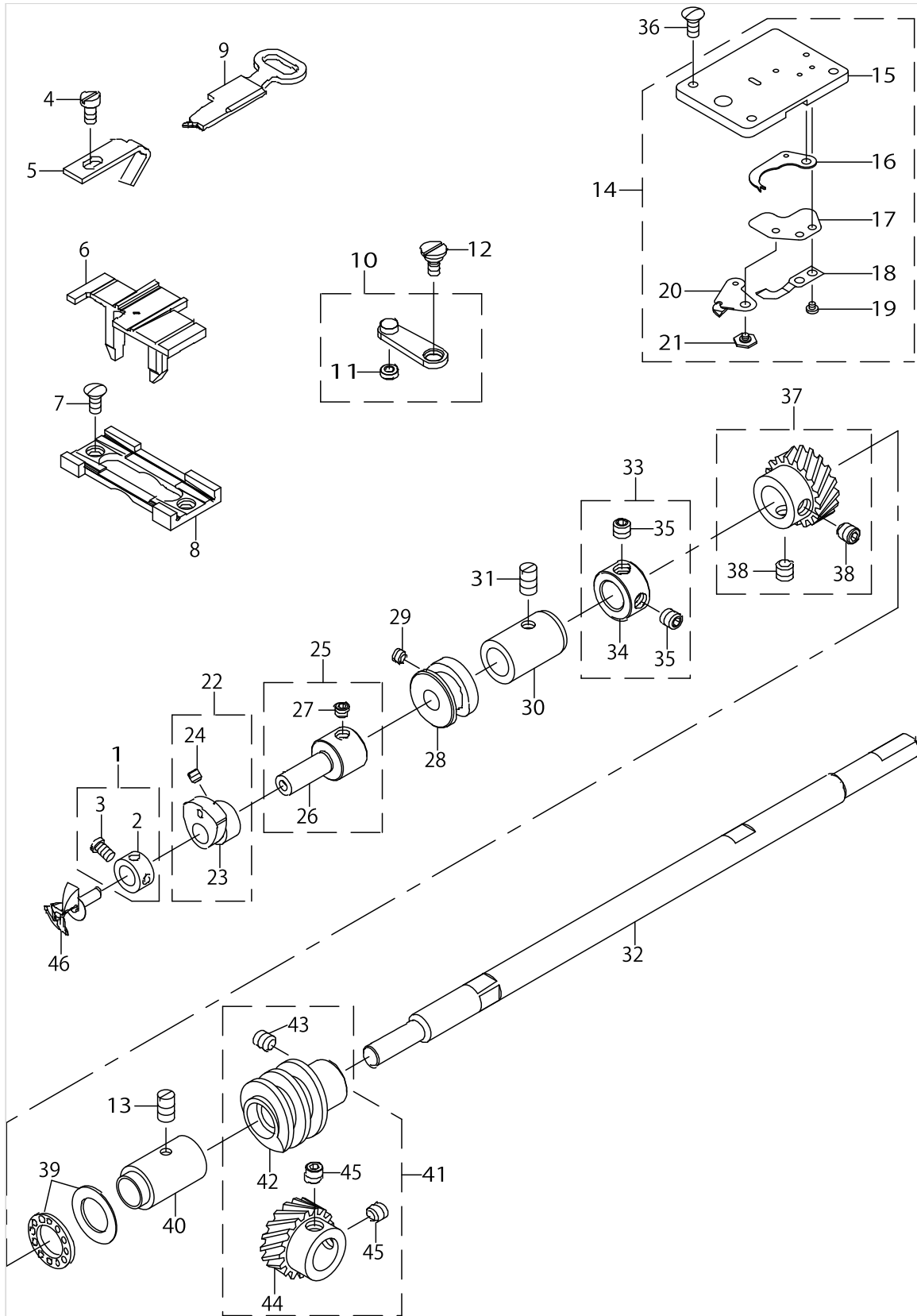
ARM & MISCELLANEOUS COVERS COMPONENTS



ARM & MISCELLANEOUS COVERS COMPONENTS

No.	Supply Code	Parts No.	Replacement	Parts name	Remarks	Choice	Step	Level	Cons	Qty	Rep. QTY
47		SM4040655SP		SCREW M4 L=6				*		2	
48		WP0430800SD		WASHER M4				*		2	
49		TA1250406R0		RUBBER PLUG D=12.5 L=4						2	
50		PS0500102KH		SPRING PIN 5.0X10						1	
51		RE0320000K0		E-RING 3.2						1	

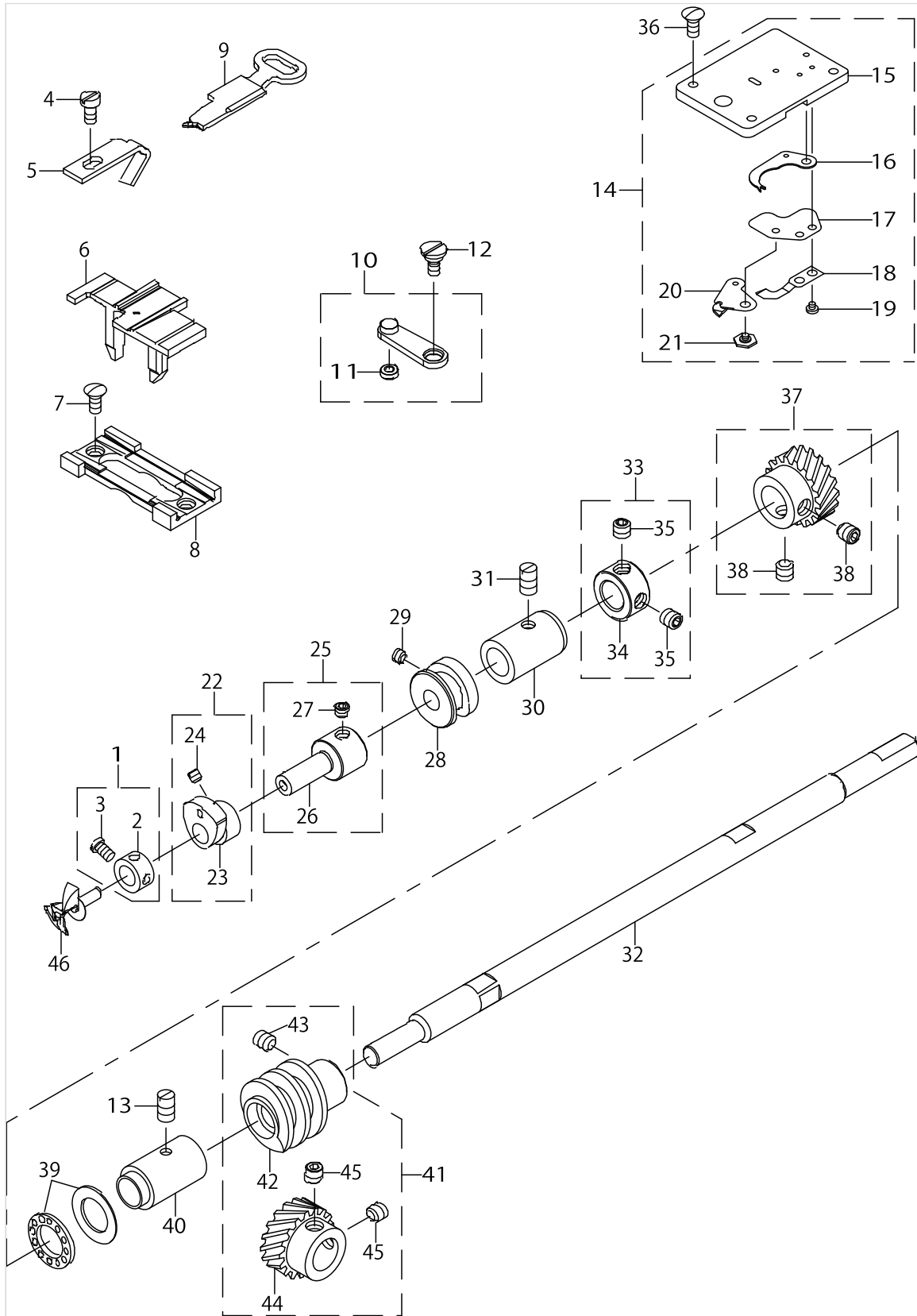
LOOPER SHAFT MECHANISM COMPONENTS



LOOPER SHAFT MECHANISM COMPONENTS

No.	Supply Code	Parts No.	Replacement	Parts name	Remarks	Choice	Step	Level	Cons	Qty	Rep. QTY
1		GS079072ATH		THRUST COLLAR ASM.						1	
2		GS0790721TH		THRUST COLLAR D=7.94 W=7				*		1	
3		SS7090620TP		SCREW 9/64-40 L=6.1				*		1	
4		SM6040800SP		SCREW						1	
5		40038484		NEEDLE_GUARD						1	
6		26013607		POSITIONING FINGER YOKE SLIDE						1	
7		SM1040950TP		SCREW M4 L=9						2	
8		26013409		YOKE SLIDE INSERT						1	
9		26013805		YOKE SLIDE						1	
10		40038400		ASSY_LOOP_POSITI- ONING_FINGER_LEVER						1	
11	R	40038403	40038400	LOOP_POSITIONING- _FINGER_CAM_ROLL				*		1	1.00
12		SD0640246SP		HINGE SCREW D=6.35 H=2.4						1	
13		SM8061010TP		SCREW						1	
14		B12413770B0		THROAT PLATE SET						1	
15		B12413770A0		THROAT PLATE ASM.				*		1	
16		B27033770A0		THREAD BIND PLATE ASM.				*		1	
17		B2702377000		THREAD BIND SUPPORT PLATE				*		1	
18		B2410373000		COUNTER KNIFE				*		1	
19		SS7080310SP		SCREW 1/8-44 L= 3.0				*		2	
20		B24063730A0		MOVING KNIFE ASM.				*		1	
21		SD0600095TH		HINGE SCREW D= 6 H= 0.85				*		1	
22		40041106		ASSY_LOOP_POSITI- ONING_FINGER_CAM						1	
23		26003103		LOOP POSITIONING FINGER CAM				*		1	
24		SS8110410TP		SCREW 11/64-40 L= 3.5				*		2	
25		40038482		ASSY_CAM_AND_LOOPER_SLEEVE						1	
26		26015503		CAM AND LOOPER SLEEVE				*		1	
27		SS8150410TP		SCREW 15/64-28 L= 4.0				*		2	
28		26015404		LOOP POSITIONING FINGER CAM						1	
29		SS8110310SP		SCREW 11/64-40 L= 2.8						2	
30		26015305		LOOPER SHAFT BUSHING FRONT						1	
31		SM8061010TP		SCREW						1	
32		40038111		LOOPER_SHAFT						1	
33	D	40098872		COLLER_ASSY						1	
34		40097991		COLLER				*		1	
35		SS8110422TP		SCREW 11/64-40 L=4				*		2	
36		SM1040870TP		SCREW						3	
37		B12243720A0		LOOPER SHAFT DR- IVEN GEAR ASM.						1	
38		SS8660612TP		SCREW 1/4-40 L=6				*		2	
39		B1215372A00		THRUST BALL BEARING						1	
40		26013102		LOOPER SHAFT BUSHING REAR						1	
41		B1221373NA0		WORM WHEEL ASM.						1	
42	R	B1221373N00	B1221373NA0	WORM				*		1	1.00
43		SS6660712TP		SCREW 1/4-40 L= 7.0				*		2	
44	R	B1220372000	B1221373NA0	CAM SHAFT DRIVEN GEAR				*		1	1.00
45		SS8660612TP		SCREW 1/4-40 L=6				*		2	

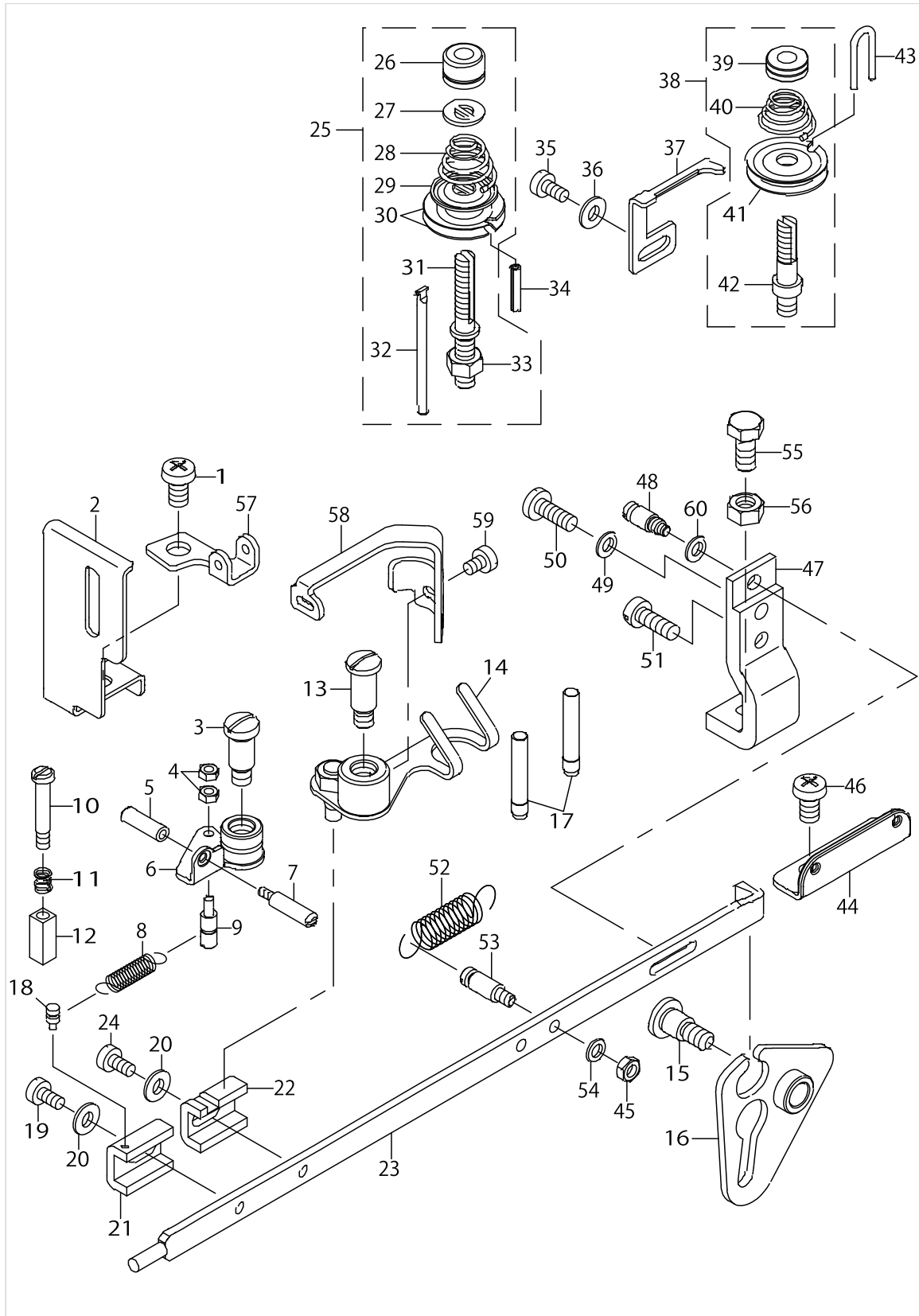
LOOPER SHAFT MECHANISM COMPONENTS



LOOPER SHAFT MECHANISM COMPONENTS

No.	Supply Code	Parts No.	Replacement	Parts name	Remarks	Choice	Step	Level	Cons	Qty	Rep. QTY
46		B1239372000		LOOPER						1	

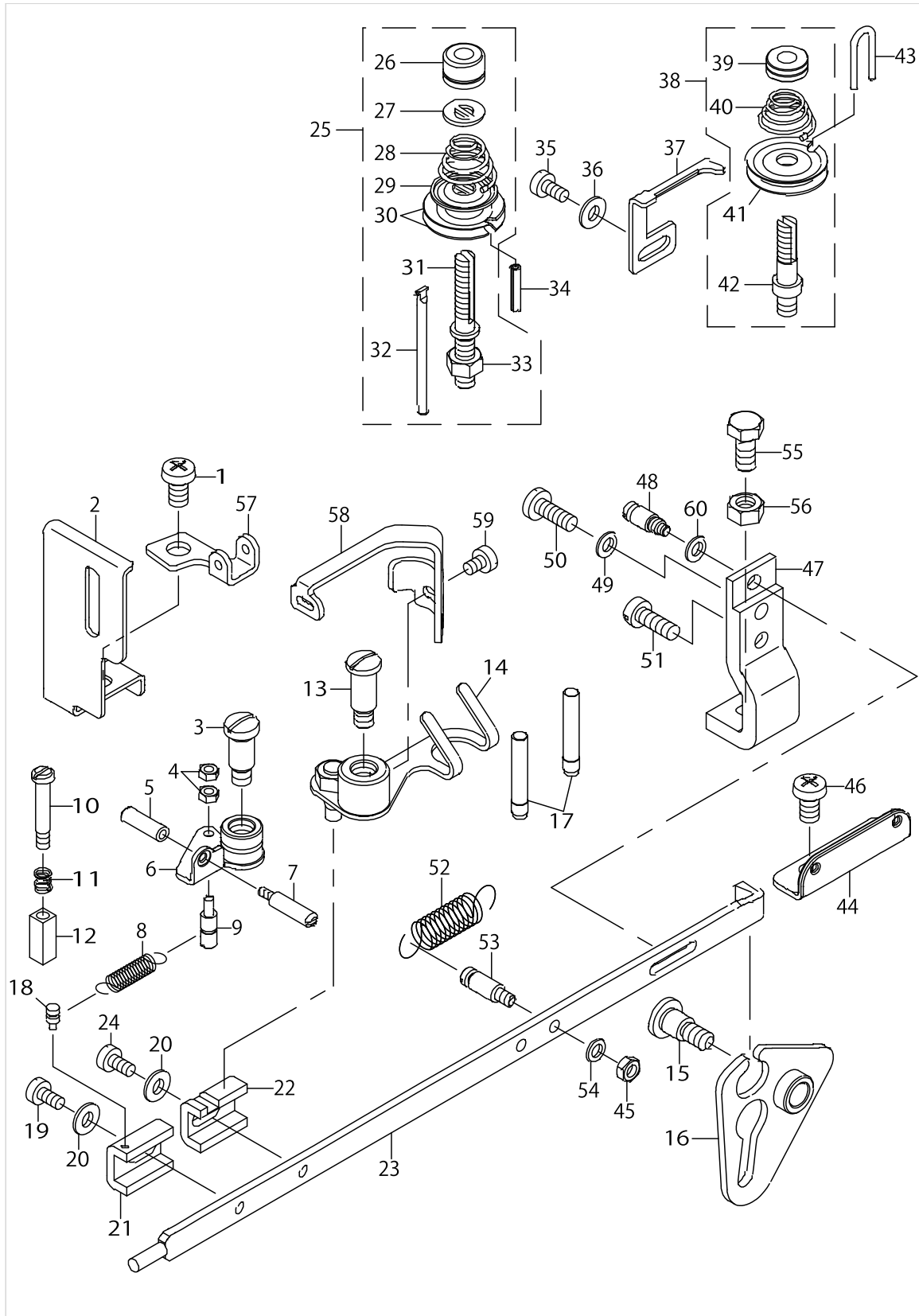
NIPPER & THREAD TENSION PARTS COMPONENTS



NIPPER & THREAD TENSION PARTS COMPONENTS

No.	Supply Code	Parts No.	Replacement	Parts name	Remarks	Choice	Step	Level	Cons	Qty	Rep. QTY
1		SM4061255SP		SCREW M6 L=12						1	
2		40038205		NEEDLE_BAR_GUARD						1	
3		SD0791276TP		SHOULDER SCREW						1	
4		NM6030001SN		NUT						2	
5		26020602		NUT						1	
6		26000950		NIPPER COMPL.						1	
7		26020503		LOOPER SHAFT BUSHING REAR						1	
8		40041077		NIPPER_BAR_BLOCK_SPRING						1	
9		40038492		NIPPER_BAR_BLOCK- K_SPRING_SCREW						1	
10		SD0402001TP		HINGE SCREW D=4 H=20						1	
11		26020404		NIPPER SLIDE BLOCK SPRING						1	
12		26020305		NIPPER BLOCK						1	
13		SD0791506TP		SHOULDER SCREW D=7.94 H=15						1	
14		40038476		THREAD_PULL_OFF_LEVER_ASM						1	
15		SD0790806TP		SHOULDER SCREW D=7.94 H=8						1	
16		26000455		NIPPER BAR ACTU- ATING LEVER ASM						1	
17		26020206		THREAD GUIDE PIN						2	
18		26019406		NIPPER BAR BLOCK SPRING PIN						1	
19		SM6040800SP		SCREW						1	
20		WP0450801SP		WASHER						2	
21		26019307		NIPPER BAR BLOCK						1	
22		26019208		TENSION LEVER ROCKING PIECE						1	
23		40038479		NIPPER_BAR						1	
24		SM6040800SP		SCREW						1	
25		40038208		TENSION_POST_ASM_NO.2						1	
26		40038214		TENSION_NUT				*		1	
27		22921407		ROTATION STOPPER				*		1	
28	R	26019901	40038208	THREAD TENSION SPRING				*		1	1.00
29		26020107		THREAD TENSION DISK PRESSER				*		1	
30	R	26005207	40038404	THREAD TENSION_DISK_NO.1				*		2	1.00
31		40038210		TENSION_POST_NO.2				*		1	
32	R	26019802	40038208	TENSION_RELEASE_PIN				*		1	1.00
33		NM6060001CP		NUT M6				*		1	
34		PS0300162KH		SPRING PIN 3X16						1	
35		SM6040800SP		SCREW						1	
36		WP0450801SP		WASHER						1	
37		26019109		THREAD TENSION RELEASING LEVER						1	
38		40038404		ASSY_THREAD_TENSION_NO.1						1	
39		40038408		THREAD_TENSION_NUT				*		1	
40	R	26005306	40038404	FIRST THREAD TENSION SPRING				*		1	1.00
41	R	26005207	40038404	THREAD TENSION_DISK_NO.1				*		2	1.00
42	R	40038405	40038404	THREAD_TENSION_POST_NO.1				*		1	1.00
43		26019505		THREAD GUIDE						1	
44		26021402		THREAD GUIDE NO.1						1	
45		NM6040002SN		NUT M4						1	

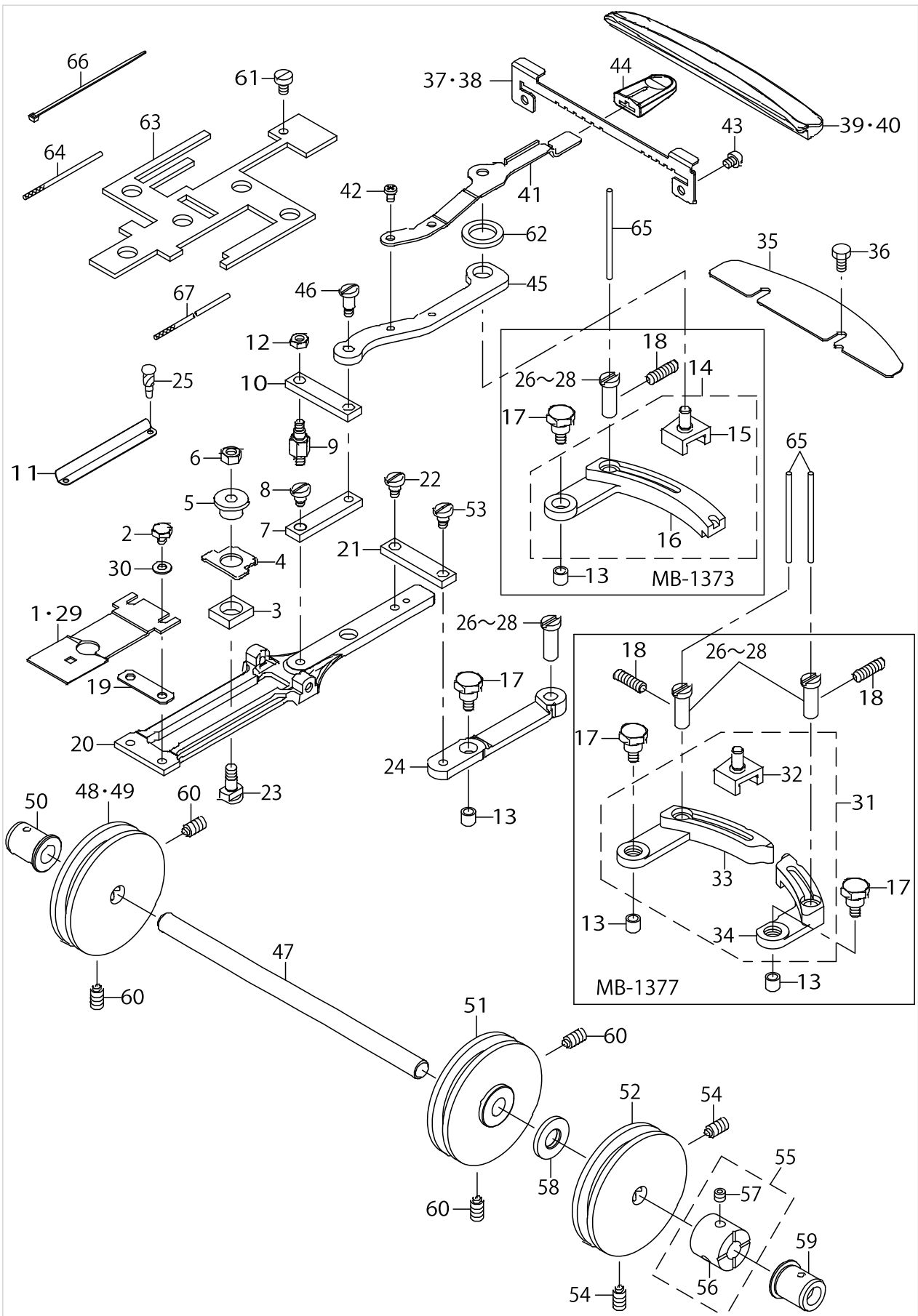
NIPPER & THREAD TENSION PARTS COMPONENTS



NIPPER & THREAD TENSION PARTS COMPONENTS

No.	Supply Code	Parts No.	Replacement	Parts name	Remarks	Choice	Step	Level	Cons	Qty	Rep. QTY
46		SM4061255SP		SCREW M6 L=12						1	
47		40038396		NIPPER_BAR_BEARING_BLOCK						1	
48		40038206		ADJUSTING_SCREW						1	
49		WP0550800SP		WASHER 5.5X10X0.8						1	
50		SM7051460TP		SCREW M5 L=14						1	
51		SM6051400SP		SCREW						1	
52	D	26019000		THREAD TENSION SPRING						1	
53		40038207		NIPPER_BAR_SPRING_SCREW						1	
54		WP0450846SP		WASHER						1	
55		SM9061403CP		SCREW M6 L=14						1	
56		NM6060001SE		NUT M6						1	
57		26021105		THREAD GUIDE						1	
58		40038320		LEVER						1	
59		SM6040600SP		SCREW M4 L=6						1	
60		WP0501016SD		WASHER 5X10.5X1						1	

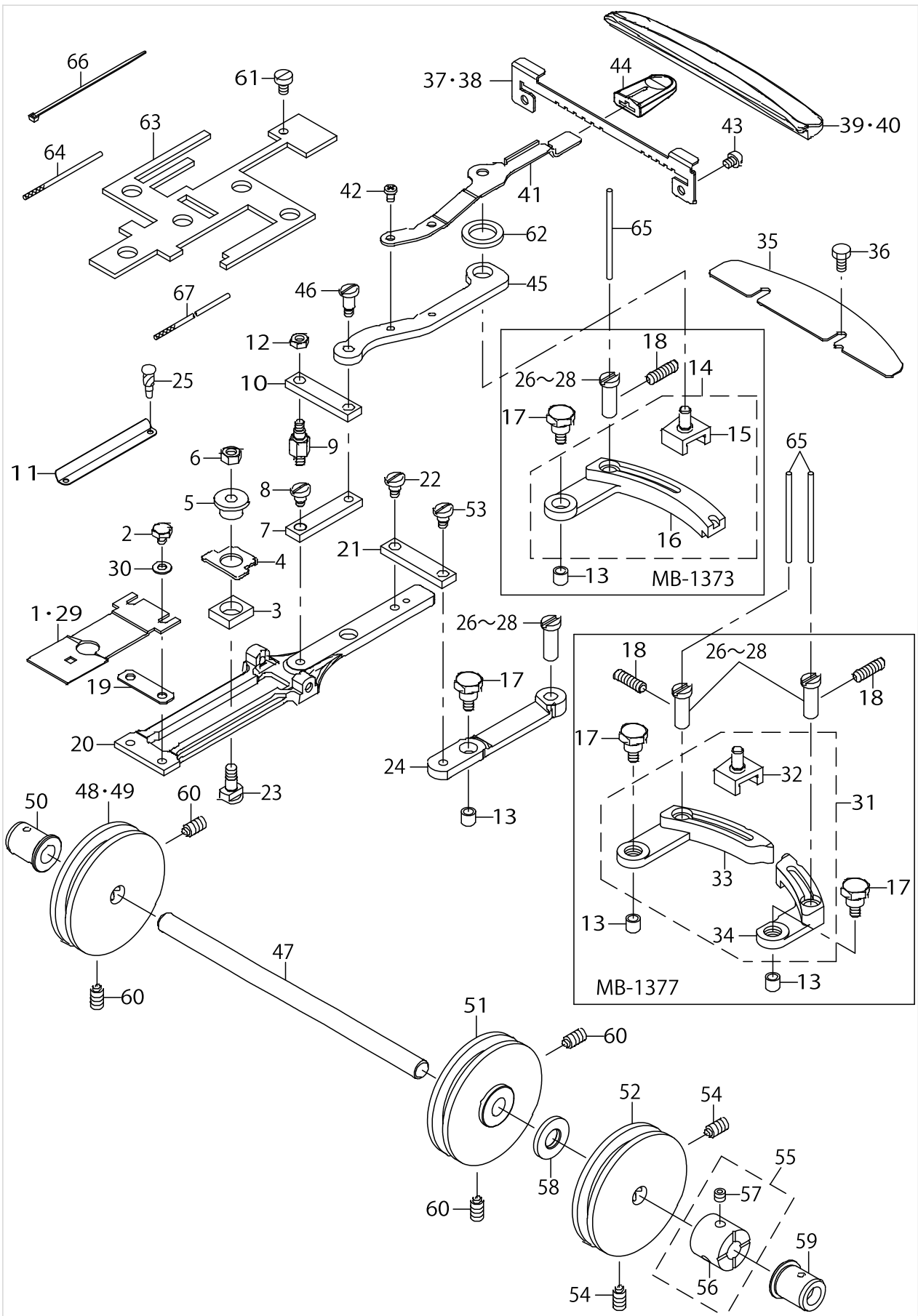
FEED PLATE COMPONENTS



FEED PLATE COMPONENTS

No.	Supply Code	Parts No.	Replacement	Parts name	Remarks	Choice	Step	Level	Cons	Qty	Rep. QTY
1		B2529373000		FEED PLATE, SMALL BUTTON						1	
2		SS9120643TP		SCREW 3/16-28 L=6						2	
3		26024604		LNDICATOR PIN BEARING BLOCK						1	
4		26024901		CROSSWISE FEED INDICATOR						1	
5		26024703		CROSSWISE FEED INDICATOR PIN						1	
6		NM6060001CP		NUT M6						1	
7		40038498		SLIDE_PLATE_CONNECTING_LINK						1	
8		SD0640481SP		HINGE SCREW D= 6.35 H= 4.8						1	
9		40038499		STUD						1	
10		26024208		INTERMEDI CONNECTING LINK						1	
11		40041052		CROSSWISE_FEED_- GRADVATED_PLATE						1	
12		NM6050001SP		NUT M5						1	
13		26023200		CAM ROLL						2	
14		40041030		LENGTHWISE_FEED_- LEVER_ARM_1373						1	
15	R	40038439	40041030	LENGTHWISE_FEED_LEVER_SLIDE				*		1	1.00
16	R	40041029	40041030	FEED_LEVER_1373				*		1	1.00
17		40038496		CAM_ROLL_SCREW_STUD						2	
18		SM8061212TP		SCREW M6X12						1	
19		26025106		SPACER PLATE						1	
20		40038463		FEED_PLATE						1	
21		26024208		INTERMEDI CONNECTING LINK						1	
22		SD0640481SP		HINGE SCREW D= 6.35 H= 4.8						1	
23		40098330		HINGE_SCREW_FOW- _CROSSWISE_FEED						1	
24		40038453		CROSSWISE_FEED_LEVER						1	
25		B1161227000		RIVET						2	
26		40041055		FEED_STUD_A	SELECTIVE PARTS					1	
27		40041056		FEED_STUD_B	SELECTIVE PARTS					1	
28		40041057		FEED_STUD_C	SELECTIVE PARTS					1	
29		D2529373B00A		FEED PLATE ,SMALLBUTTON						1	
30		WP0501016SD		WASHER 5X10.5X1						2	
31		40038469		LENGTHWISE_FEED_LEVER_ARM	FOR MB-1377					1	
32	R	40038439	40041030	LENGTHWISE_FEED_LEVER_SLIDE				*		1	1.00
33		40038432		FEED_LEVER_L				*		1	
34		40038433		FEED_LEVER_R				*		1	
35		40041061		FEED_KNOB_GUIDE_PLATE						2	
36		SM9050813SE		SCREW M5X0.8 L=8						1	
37		40042279		PLATE_BASE_(MB-1373)	FOR MB-1373					1	
38		40038436		PLATE_BASE_(MB-1377)	FOR MB-1377					1	
39		40038313		GRADUATE_PLATE(MB-1373)	FOR MB-1373					1	
40		40038314		GRADUATE_PLATE(MB-1377)	FOR MB-1377					1	
41		40042281		HANDLE_AND_INDICATOR_SPRING						1	
42		SM4040655SP		SCREW M4 L=6						2	
43		SM4050855SP		SCREW						2	
44		40038442		KNOB						1	
45		40040965		INDICATOR_SPRING- _CONNECTING_LINK						1	

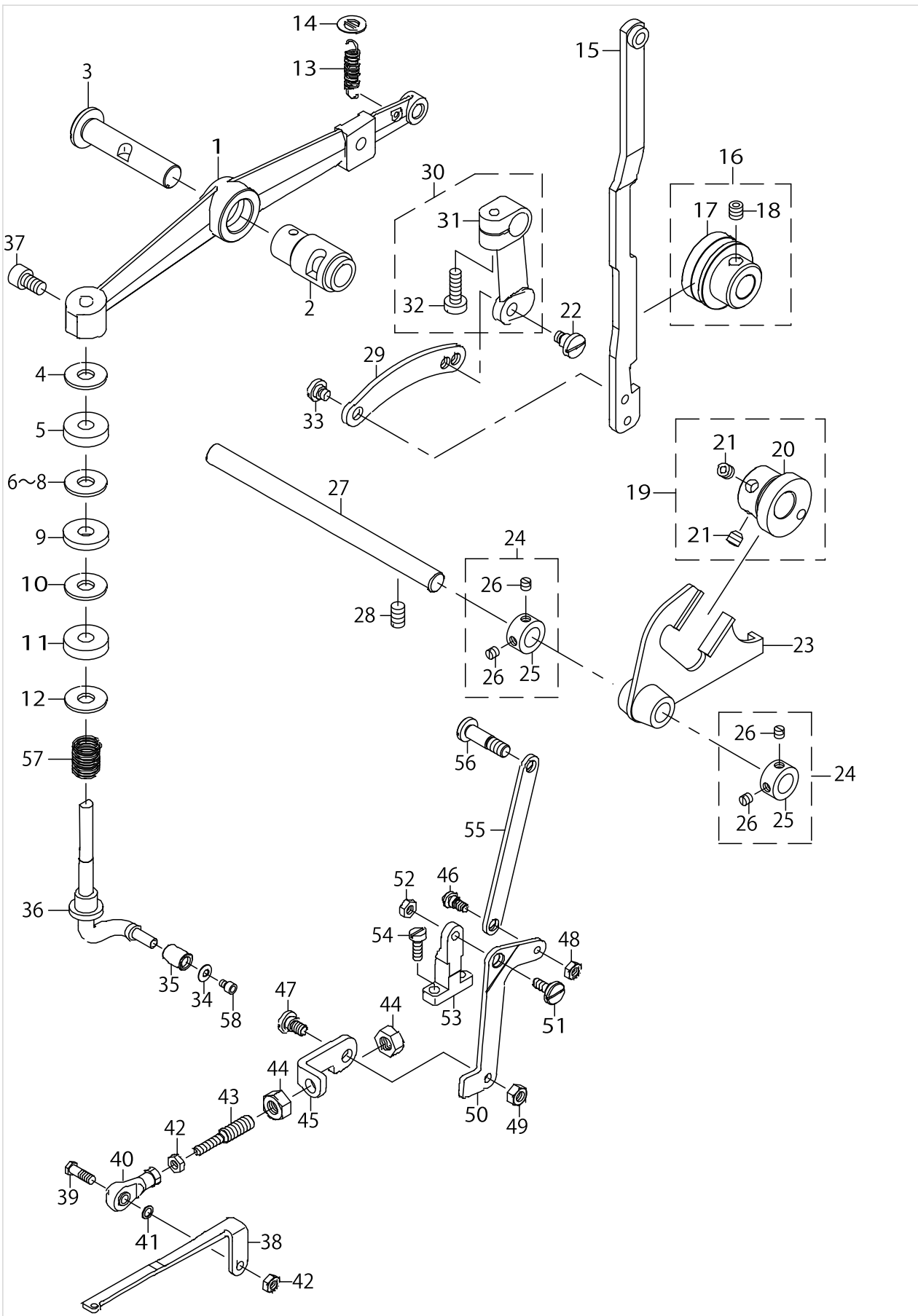
FEED PLATE COMPONENTS



FEED PLATE COMPONENTS

No.	Supply Code	Parts No.	Replacement	Parts name	Remarks	Choice	Step	Level	Cons	Qty	Rep. QTY
46		SD0640976TP		SHOULDER SCREW D=6.35 H=9.7						2	
47		40038444		CAM_SHAFT						1	
48		40041032		LENGTHWISE_FEED_CAM(X)						1	
49		B2506373000A		LONGITUDINAL FEED CAM	FOR MB-1373					1	
50		26022509		CAM SHAFT BUSHING.LEFT						1	
51		40041033		LATERAL_FEED_CAM						1	
52		40041025		LONGITUDINAL_FEED_CAM_A	FOR MB-1377					1	
53		SD0640486TP		SHOULDER SCREW D=6.35 H=4.8						1	
54		SS8681412TP		SCREW 9/32-28 L=13.5	FOR MB-1377					2	
55		40040964		THRUST_COLLAR_ASSY	FOR MB-1373					1	
56		40040961		THRUST_COLLAR				*		1	
57		SM8060552TP		SCREW M6 L=5				*		2	
58		40042081		SPACER	FOR MB-1377					1	
59		26022400		CAM SHAFT BUSHING.RIGHT						1	
60		SS8681412TP		SCREW 9/32-28 L=13.5						4	
61		SM6050800SP		SCREW M5 L=8						1	
62		40041045		OIL_RETAINING_FELT						1	
63		40041044		FEED_SHOULDER_SCREW_FELT						1	
64		CQ252000000		OIL WICK						.06	
65		CQ3000000F0		OIL FELT						.06	
66		EA9500B0100		CABLE BAND						4	
67		CQ252000000		OIL WICK						.3	

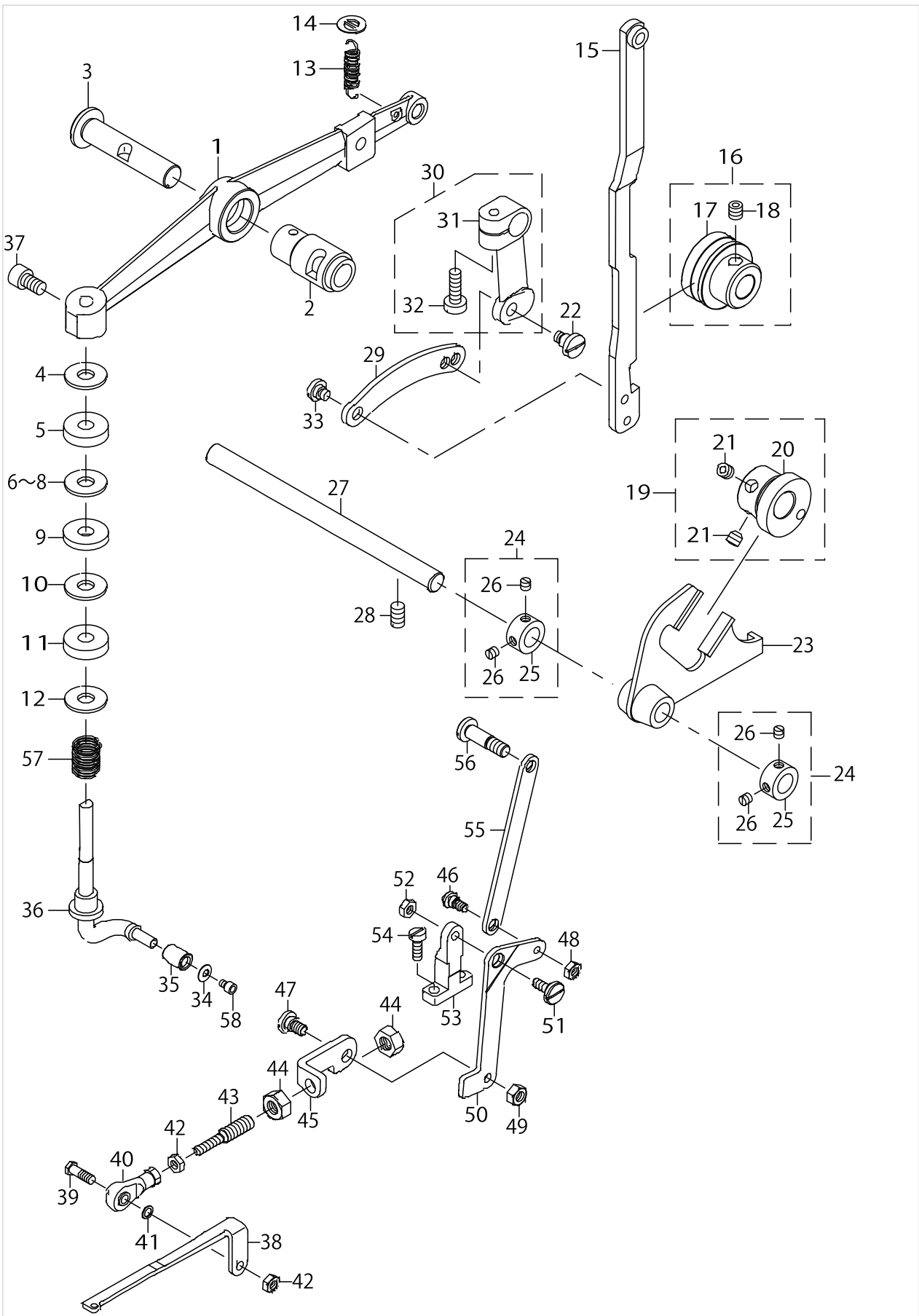
BUTTON CLAMP LIFTER COMPONENT



BUTTON CLAMP LIFTER COMPONENT

No.	Supply Code	Parts No.	Replacement	Parts name	Remarks	Choice	Step	Level	Cons	Qty	Rep. QTY
1		40038119		LIFTING_LEVER						1	
2		26018101		BUSHING						1	
3		40038116		NEEDLE_BAR_LEVER						1	
4		WP0851216SC		WASHER 8.5X18.0X1.2						1	
5		B4420373000		CUSHION						1	
6		WP0851216SC		WASHER 8.5X18.0X1.2	SELECTIVE PARTS (USE OF ONE PARTS)					1	
7		WP0751576SD		WASHER 7.5X19X1.5	SELECTIVE PARTS (USE OF ONE PARTS)					1	
8		10510808		WASHER	SELECTIVE PARTS (USE OF ONE PARTS)					1	
9		WP0751576SD		WASHER 7.5X19X1.5						1	
10		WP0751576SD		WASHER 7.5X19X1.5						1	
11		B4420373000		CUSHION						1	
12		WP0703516SP		WASHER 7X20X3.5						1	
13		26033407		SPRING						1	
14		26033308		WASHER						1	
15	R	B4411372000	B4411372000A	BUTTON CLAMP LIFTING LINK						1	1.00
16		40040962		ASSY_SLIDING_ROLLER						1	
17		40040953		SLIDING_ROLLER				*		1	
18		SM8060612TP		SCREW M6 L=6				*		1	
19		40038321		ECCENTRIC_CAM						1	
20	R	40038398	40038321	ECCENTRIC_CAM				*		1	1.00
21		SM8060612TP		SCREW M6 L=6				*		2	
22		SD0640481SP		HINGE SCREW D= 6.35 H= 4.8						1	
23		40120628		BUTTON_CLAMP_LIFTING_LINK						1	
24		CS0950810SH		THRUST COLLAR ASM. D=9.5 W=8						2	
25	R	CS0950816SH	CS0950810SH	THRUST COLLAR D=9.5 W=8				*		1	1.00
26		SS8110410TP		SCREW 11/64-40 L= 3.5				*		2	
27		40038445		LEVER_SHAFT						1	
28		SM8061010TP		SCREW						2	
29		26032508		LIFTING_LINK						1	
30		40038414		LIFTING_PLATE_GUIDE_ROD_ASM						1	
31		40038413		LIFTING_PLATE_GUIDE_ROD				*		1	
32		SM6051600SP		SCREW M5 L=16				*		1	
33		SD0640211SP		HINGE SCREW D= 6.35 H= 2.1						1	
34		WP0330501SB		WASHER M3						1	
35		40038283		L_TYPE_LIFTING_BAR_ROLLER						1	
36		40038502		BUTTON_CLAMP_LIFTING_ROD_A						1	
37		SM6061002TP		SCREW M6 L=10						1	
38		40038428		CONNECTING_LINK_FRONT						1	
39		26022202		JOINT STUD						1	
40		B1632180000		FEED ADJUSTING JOINT						1	
41		WP0510516SD		WASHER 5.1X7.5X0.5						1	
42		NM6050001SP		NUT M5						2	
43		40038219		CONNECTING_SCREW						1	

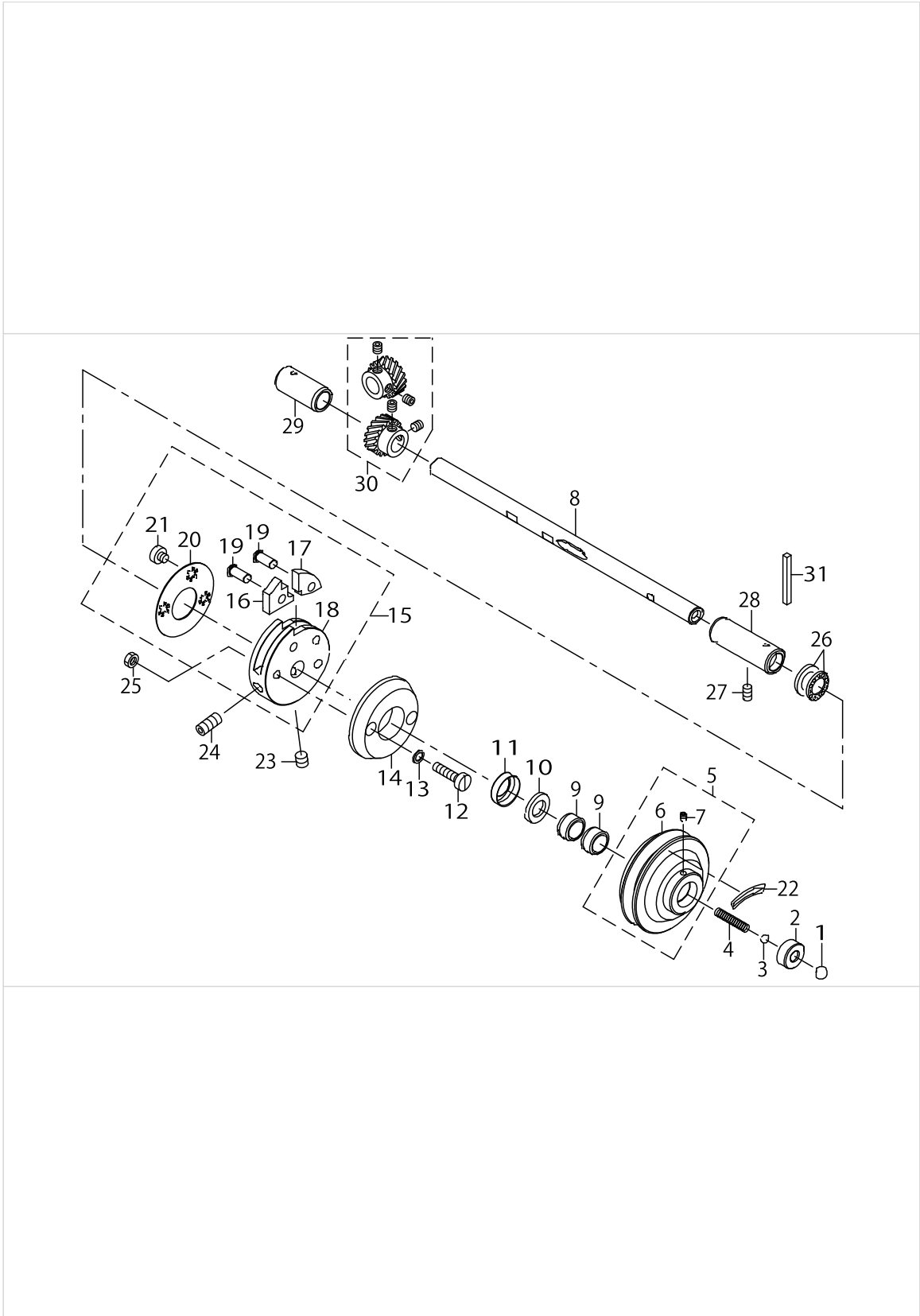
BUTTON CLAMP LIFTER COMPONENT



BUTTON CLAMP LIFTER COMPONENT

No.	Supply Code	Parts No.	Replacement	Parts name	Remarks	Choice	Step	Level	Cons	Qty	Rep. QTY
44		NM6080021SP		NUT M8 TYPE1						2	
45		40038429		CONNECTING_LINK_REAR						1	
46		SD0640323TP		HINGE SCREW D= 6.35 H= 3.2						1	
47		SD0790402TP		HINGE SCREW D= 7.94 H= 4						1	
48		NS6620310SP		NUT 3/16-32						1	
49		NS6150310SP		NUT 15/64-28						1	
50		40038397		THREAD_TRIMMING_LEVER						1	
51		SD0790316TP		SHOULDER SCREW D=7.94 H=3.1						1	
52		NM6050001SP		NUT M5						1	
53		40038495		THREAD_TRIM_LEVER_BASE						1	
54		SM7051460TP		SCREW M5 L=14						2	
55		26021709		THREAD TRIMMING LINK						1	
56		SD0641322TP		HINGE SCREW D=6.35 H=13.2						1	
57		26033605		SPRING						1	
58		SM6030402TP		SCREW M3X0.5 L=4						1	

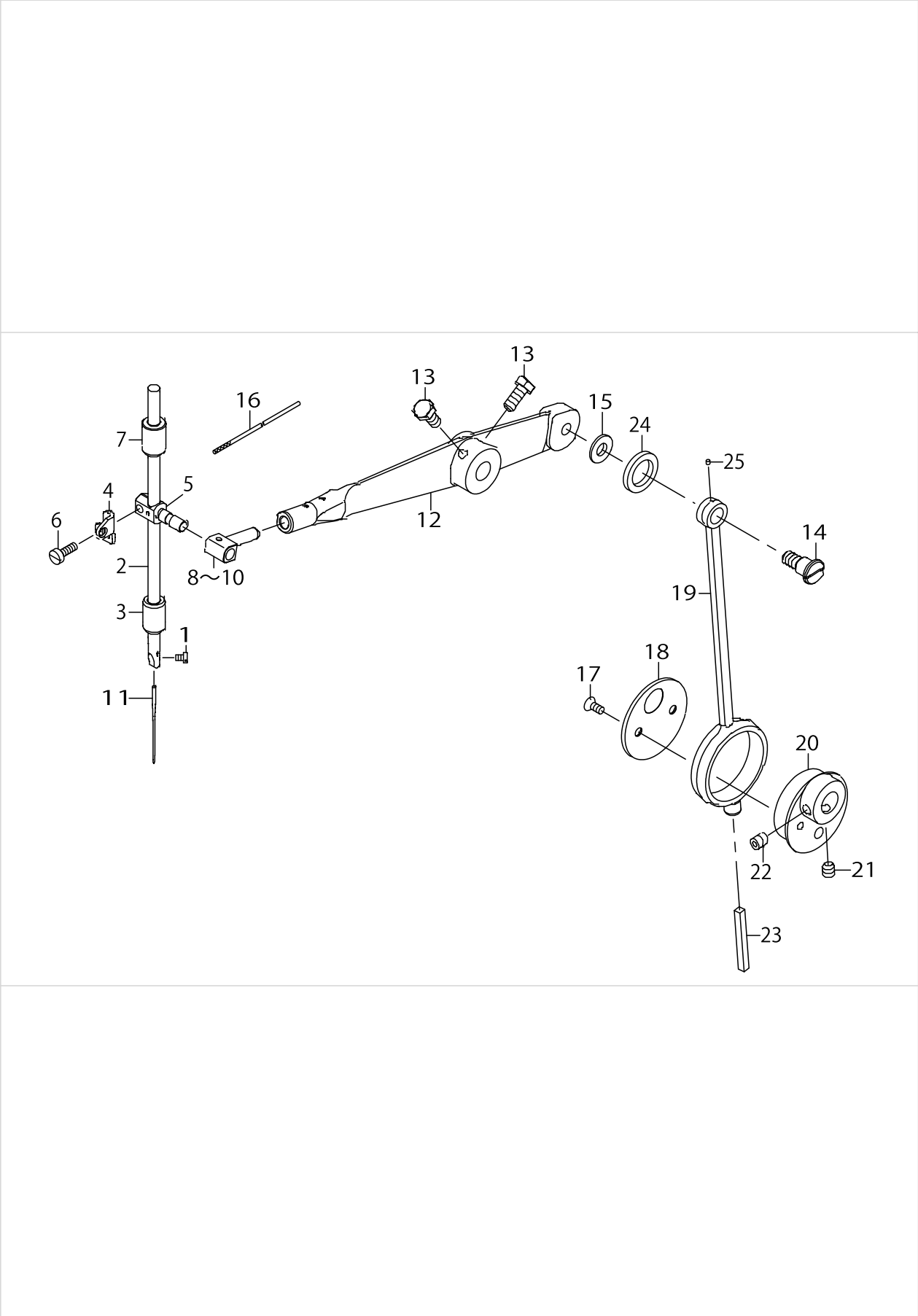
NEEDLE DRIVING PULLEY SHAFT COMPONENTS



NEEDLE DRIVING PULLEY SHAFT COMPONENTS

No.	Supply Code	Parts No.	Replacement	Parts name	Remarks	Choice	Step	Level	Cons	Qty	Rep. QTY
1		B1203372000		BALL LARGE						1	
2		26012401		PULLEY INSERT						1	
3		40038203		BALL_SMALL						1	
4		26012500		SPRING						1	
5		40038169		DRIVING_PULLEY_ASM.						1	
6		40038175		DRIVING_PULLEY				*		1	
7		SM8040612TP		SCREW M4 L=6				*		1	
8		40038449		NEEDLE_DRIVING_PULLEY_SHAFT						1	
9		B1243372000		NEEDLE BEARING						2	
10		26012609		GREASE RTETAINING WICK						1	
11		26012708		RETAINING WASHER						1	
12		SM6062450TP		SCREW M6 L=23.5						2	
13		WP0621026SP		WASHER 6.2X9.5X1						2	
14		B1208372000		NEEDLE DRIVING P- ULLEY CLUTCH D						1	
15		40038137		STOP_MOTION_DISC_ASM.						1	
16	R	40038135	40038137	STOP_MOTION_DISC_LATCH_A				*		1	1.00
17	R	40038136	40038137	STOP_MOTION_DISC_LATCH_B				*		1	1.00
18	R	40038138	40038137	STOP_MOTION_DISC				*		1	1.00
19	R	40038139	40038137	STOP_MOTION_PAWL_SHAFT				*		2	1.00
20	R	40038140	40038137	STOP_MOTION_DISC_WASHER				*		1	1.00
21		SM6060550TP		SCREW M6 L=4.5				*		1	
22		CM500200001		DIRECTION LABEL.						1	
23		SM8080812TP		SCREW M8X8						1	
24		SM8081752TP		SCREW M8 L=17						1	
25		NM6060003SP		NUT M6 TYPE3						2	
26		B1215372B00		THRUST BALL BEARING						1	
27		SM8061010TP		SCREW						1	
28		40038461		PULLEY_SHAFT_BUSHING_RIGHT						1	
29		40042148		PULLET_SHAFT_BUSHING_LEFT						1	
30		B12173720BA		DRIVING GEAR (A) ASM.						1	
31		26018309		OIL WICK						1	

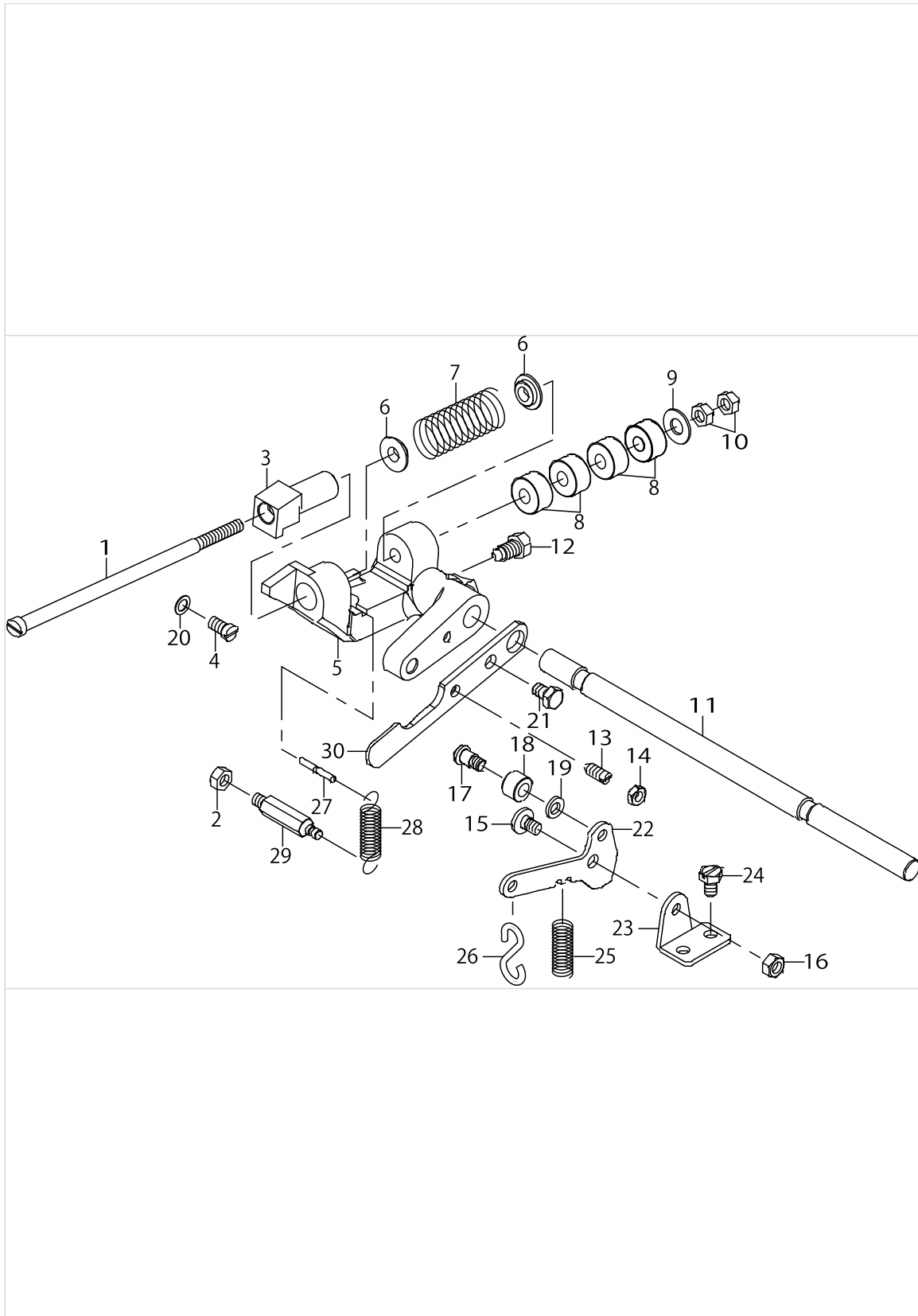
NEEDLE BAR DRIVING MECHANISM COMPONENTS



NEEDLE BAR DRIVING MECHANISM COMPONENTS

No.	Supply Code	Parts No.	Replacement	Parts name	Remarks	Choice	Step	Level	Cons	Qty	Rep. QTY
1		SS7080510TP		SCREW 1/8-44 L=4.5						1	
2		14606107		NEEDLE ROD						1	
3		26017707		NEEDLE BAR BUSHING LOWER						1	
4		40040951		NEEDLE_BAR_BALANCE						1	
5		40040952		NEEDLE_BAR_CLAMP						1	
6		SM6041200SP		SCREW M4 L=12						1	
7		40038142		NEEDLE_BAR_BUSHING_UPPER						1	
8		40038120		NEEDLE_BAR_SLIDE_BLOCK_A	SELECTIVE PARTS					1	
9		40038121		NEEDLE_BAR_SLIDE_BLOCK_B	SELECTIVE PARTS					1	
10		40038122		NEEDLE_BAR_SLIDE_BLOCK_C	SELECTIVE PARTS					1	
11		MTQ100B1600		NEEDLE TQX1 #16						1	
12		40038117		NEEDLE_BAR_DRIVING_LEVER						1	
13		SM9061403CP		SCREW M6 L=14						2	
14		SD0950804TP		SHOULDER SCREW D=9.53 H=8						1	
15		26018705		WASHER						1	
16		CQ202000000		OIL WICK						.1	
17		SS2110920TP		SCREW 11/64-40 L=8.5						2	
18		26018606		THRUST HOLDER						1	
19		26018408		CRANK ROD						1	
20	R	26018507	26018457	ECCENTRIC CAM						1	1.00
21		SS8660612TP		SCREW 1/4-40 L=6						1	
22		SS8660942TP		SCREW 1/4-40 L= 8.5						1	
23		26018309		OIL WICK						1	
24		40041045		OIL_RETAINING_FELT						1	
25		CQ2500000F0		OIL WICK						.01	

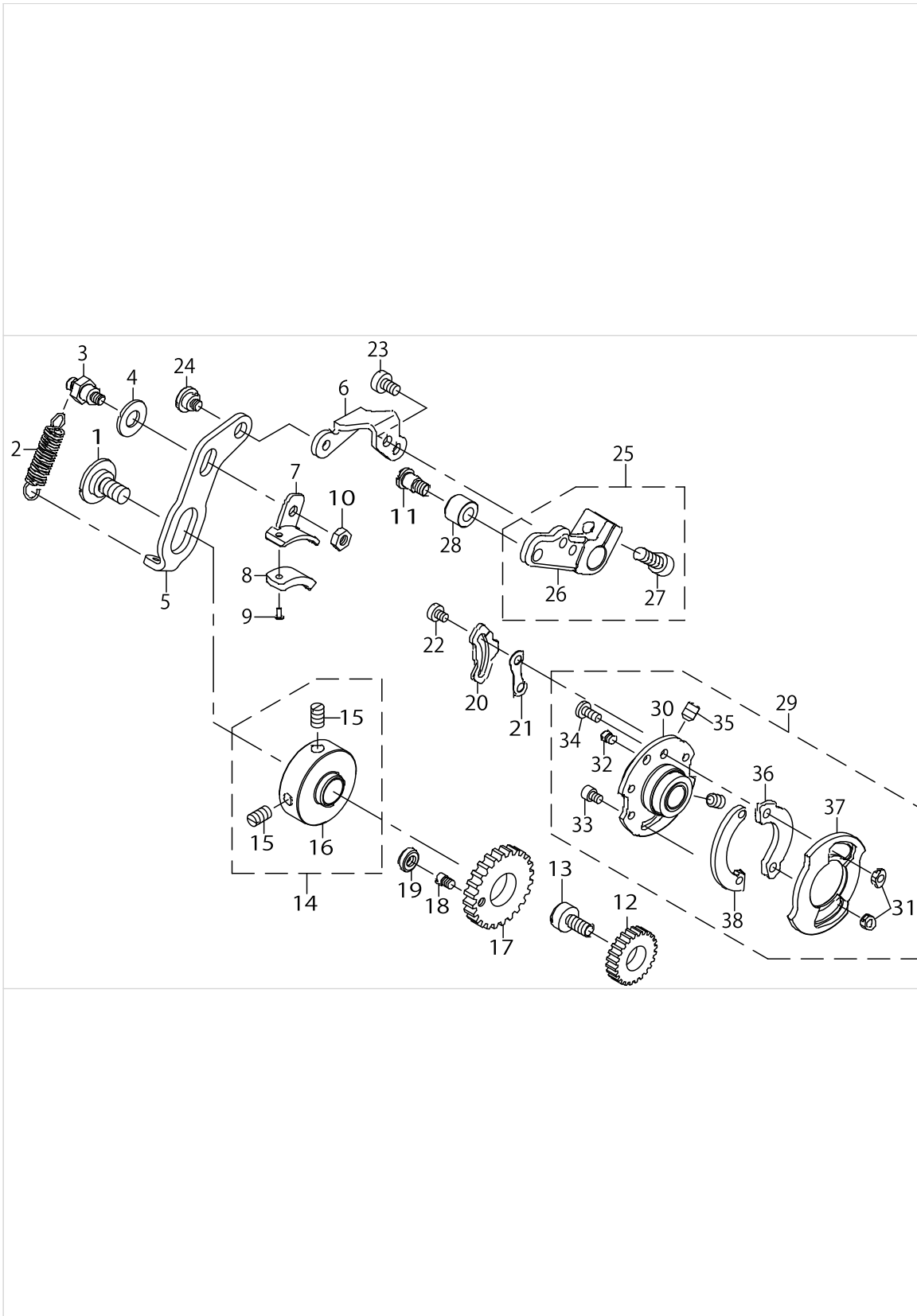
STOP MOTION MECHANISM COMPONENTS



STOP MOTION MECHANISM COMPONENTS

No.	Supply Code	Parts No.	Replacement	Parts name	Remarks	Choice	Step	Level	Cons	Qty	Rep. QTY
1		26027805		STOP MOTION PLUNGER ROD						1	
2		NM6060003SP		NUT M6 TYPE3						1	
3		40038118		CROSSING_HOOK						1	
4		SM6061150TP		SCREW M6 L=11						1	
5	D	40038270		STOP_MOTION_PLUNGER_LEVER						1	
6		26229104		WASHER						2	
7		40038110		STOP_MOTION_SPRING						30	
8		B2608280000		RUBBER CUSHION						4	
9		26030601		WASHER						1	
10		NS6680410SP		NUT 9/32-28						2	
11		40038448		STOP_MOTION_SHAFT						1	
12		40042437		SCREW						1	
13		SS8151570SP		SCREW 15/64-28 L=15.0						1	
14		NS6150310SP		NUT 15/64-28						1	
15		SD0680276TP		SHOULDER SCREW D=6.8 H=2.7						1	
16		NM6060001CP		NUT M6						1	
17		SD0800706TP		SHOULDER SCREW D=8 H=7						1	
18		40087058		STITCH_ADJUSTING_ROLLER						1	
19		WP0612066SP		WASHER 6.1X11X2						1	
20	R	26019604	26217604	WASHER						1	1.00
21		SM9061003CP		SCREW M6 L=10						1	
22		40038160		STOP_MOTION_TRIP_LEVER						1	
23		26028308		STOP MOTION TRIP LEVER BRACKET						1	
24		SM9061250TP		SCREW M6 L=12						2	
25		22924906		OIL REGULATOR SCREW SPRING						1	
26		13160304		S SHAPED HOOK						1	
27		26028001		STOP MOTION LEVER SPRING PIN						1	
28		40038410		STOP_MOTION_LEVER_SPRING						1	
29		40040940		SCREW_STUD						1	
30		B2611373N00		PRESSURE APPLYING LEVER						1	

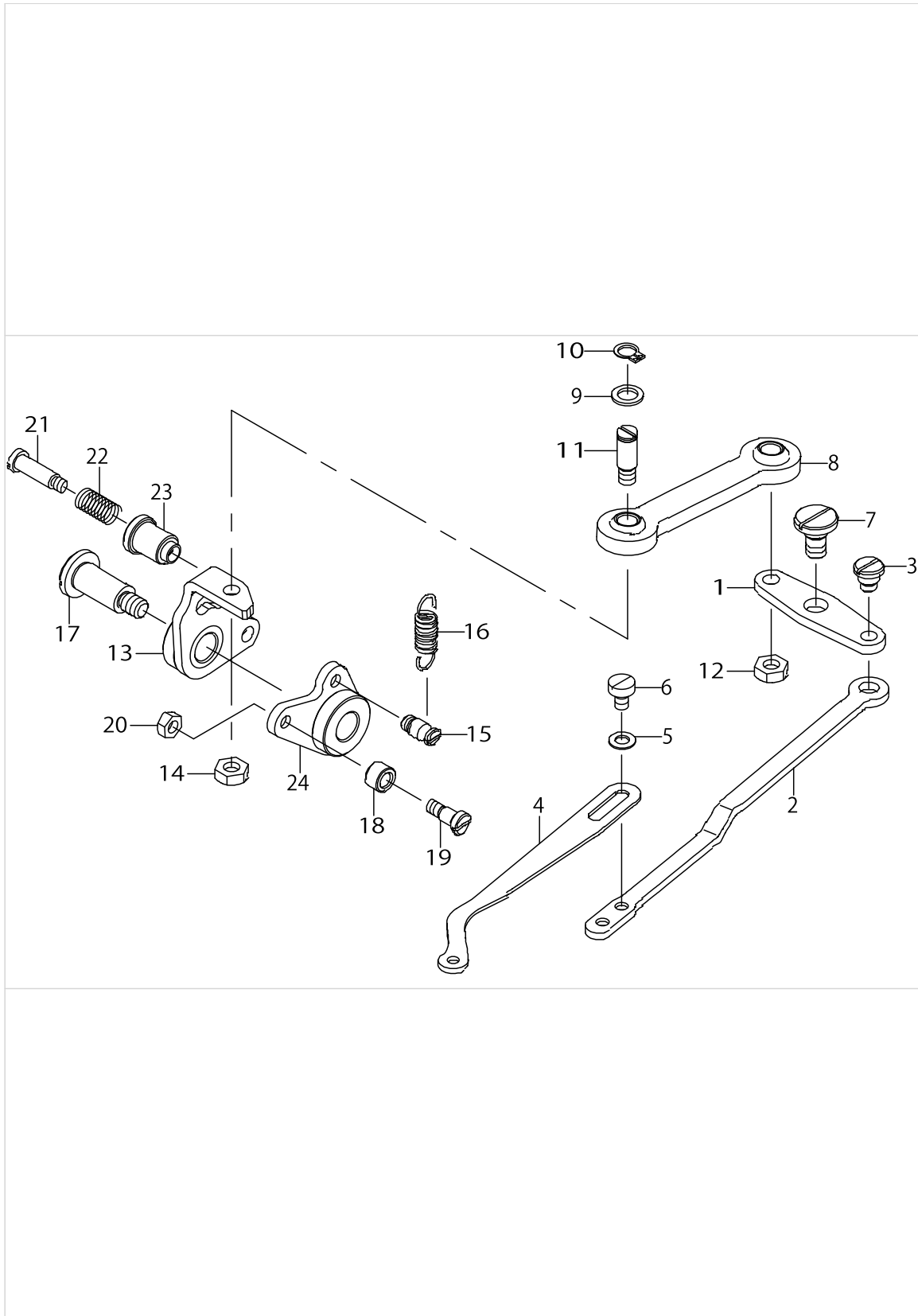
STITCH SELECTING PARTS COMPONENTS



STITCH SELECTING PARTS COMPONENTS

No.	Supply Code	Parts No.	Replacement	Parts name	Remarks	Choice	Step	Level	Cons	Qty	Rep. QTY
1		SD1270346TP		SHOULDER SCREW D=12.7 H=3.4						1	
2		26030304		SPRING FOR FRICTION PLATE						1	
3		26030007		FRICTION PLATE R-OTATING SHAFT						1	
4		WP0850002SP		WASHER 8.5X18X1.6						1	
5		26030908		SPEED SLOWING LEVER						1	
6		26031005		FITTING PLATE						1	
7		26030106		FRICTION PLATE HOLDER						1	
8		B2640372000		SPEED SLOWING FRICTION PLATE						1	
9		B3211232000		POSITIONING PIN						2	
10		NS6110310SP		NUT 11/64-40						1	
11		SD0710706TP		SHOULDER SCREW D=7.14 H=7						1	
12		B2629372000		STITCH SELECTING SPUR GEAR						1	
13		40040943		INTERMEDIATE_GEAR_SHAFT						1	
14		40040942		ASSY_SPEED_SLOWING_FRICTION_WHEEL						1	
15		SM8061010TP		SCREW				*		2	
16		40040944		SPEED_SLOWING_FRICTION_WHEEL				*		1	
17		B2630372000A		GEAR,LARGE						1	
18		B2631372000		SCREW						1	
19		B2632372000A		ROLLER						1	
20		40040946		THREAD_BIND_NOTCH						1	
21		26030809		SPACER						1	
22		SM6040560TP		SCREW M4X0.5 L=4.5						2	
23		SM6050800SP		SCREW M5 L=8						2	
24		SD0800341SP		HINGE SCREW D=8 H=3.4						1	
25		40038269		STITCH_ADJUSTING_ARM_ASM.						1	
26		40038271		STITCH_ADJUSTING_ARM				*		1	
27		SM6061602TN		SCREW M6 L=16				*		1	
28	R	26029207	40087058	STITCH ADJUSTING ROLLER						1	1.00
29		40041046		STITCH_ADJUSTING_CAM_A_ASSY						1	
30		40041054		STITCH_ADJUSTING_CAM_A_ASM.				*		1	
31		40041050		NUT				*		2	
32		40038304		SCREW				*		1	
33		SM6040502TP		SCREW M4X0.7 L=5				*		1	
34		SS7090910TP		SCREW 9/64-40 L= 8.5				*		2	
35		SM8060812TP		SCREW M6 L=8				*		2	
36	R	40041048	40041046	SPACER				*		1	1.00
37		40041049		STITCH_CAM_A				*		1	
38	R	40041051	40041046	STOP MOTION CAM SHOE				*		1	1.00

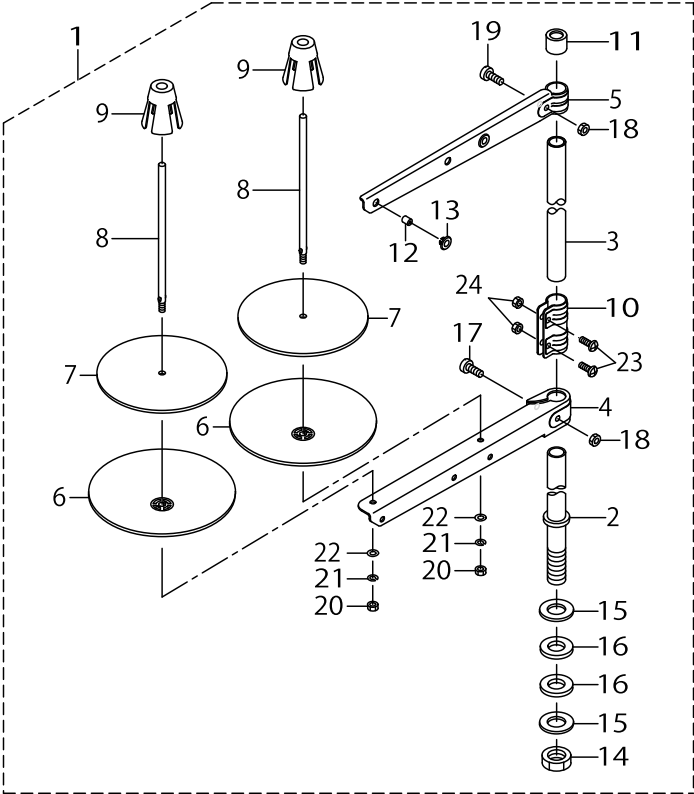
THREAD BIND NOTCH COMPONENTS(FOR MB-1377)



THREAD BIND NOTCH COMPONENTS(FOR MB-1377)

No.	Supply Code	Parts No.	Replacement	Parts name	Remarks	Choice	Step	Level	Cons	Qty	Rep. QTY
1		40038488		THREAD_BIND_LEVER						1	
2		40038452		CONNECTING_PLATE_LARGE						1	
3		SD0640328TP		SHOULDER SCREW D=6.35 H=3.2						1	
4		40038486		CONNECTING_PLATE_SMALL						1	
5		WP0430800SD		WASHER M4						2	
6		SM6040650TP		SCREW						2	
7		SD0720336SP		SHOULDER SCREW						1	
8		D2509282A00		WORK CAMP FOOT BALL LINK						1	
9		40038489		THREAD_BIND_LINK_SHAFT						2	
10		WP0621026SP		WASHER 6.2X9.5X1						2	
11		RC0560711KP		RETAINING RING						2	
12		NM6050001SP		NUT M5						1	
13		40038456		THREAD_BIND_ARM_B						1	
14		NM6050001SP		NUT M5						1	
15		40038494		THREAD_BIND_ARM_SPRING RAC						1	
16		26017103		SPRING						1	
17		SD0901806TP		SHOULDER SCREW						1	
18		26017301		ROLLER						1	
19		SD0460576TP		SHOULDER SCREW D=4.6 H=5.7						1	
20		NM6040001SP		NUT M4X0.7						1	
21		SD0481456TP		SHOULDER SCREW D=4.8 H=14.5						1	
22		40038306		SPRING						1	
23		40038305		STITCH_ADJUSTING_CAM_KNOB						1	
24		40038455		ASS_THREAD_BIND_ARM_A						1	

THREAD STAND COMPONENTS



THREAD STAND COMPONENTS

No.	Supply Code	Parts No.	Replacement	Parts name	Remarks	Choice	Step	Level	Cons	Qty	Rep. QTY
1		40096354		THREAD STAND ASM.						1	
2		40085784		SPOOL REST ROD LOWER				*		1	
3		40085785		SPOOL REST ROD UPPER				*		1	
4		40085786		SPOOL REST ARM LOWER				*		1	
5		40085787		SPOOL REST ARM UPPER				*		1	
6		40085788		SPOOL REST				*		2	
7		40085789		SPOOL REST CUSHION				*		2	
8		40085790		SPOOL PIN				*		2	
9		40085791		SPOOL RETAINER				*		2	
10		40085792		SPOOL REST ROD JOINT				*		1	
11		40085793		SPOOL REST ROD RUBBER CAP				*		1	
12		40085794		THREAD GUIDE				*		2	
13		40085795		THREAD GUIDE BUSHING				*		2	
14		40096325		SPOOL REST ROD NUT				*		1	
15		WP1612616SE		WASHER 16X30X2.6				*		2	
16		40085796		SPOOL REST ROD RUBBER CUSHION				*		2	
17		40096326		SPOOL REST ARM LOWER SCREW				*		1	
18		NM6050001SE		NUT M5				*		2	
19	R	40096327	SM4053001SE	SPOOL REST ARM UPPER SCREW				*		1	1.00
20		NM6050001SE		NUT M5				*		2	
21		WS0510002KN		SPRING WASHER M5				*		2	
22		WP0531001SC		WASHER M5				*		2	
23		SM4051405SE		SCREW M5 L=14				*		2	
24		NM6050001SE		NUT M5				*		2	

TABLE & STAND COMPONENTS

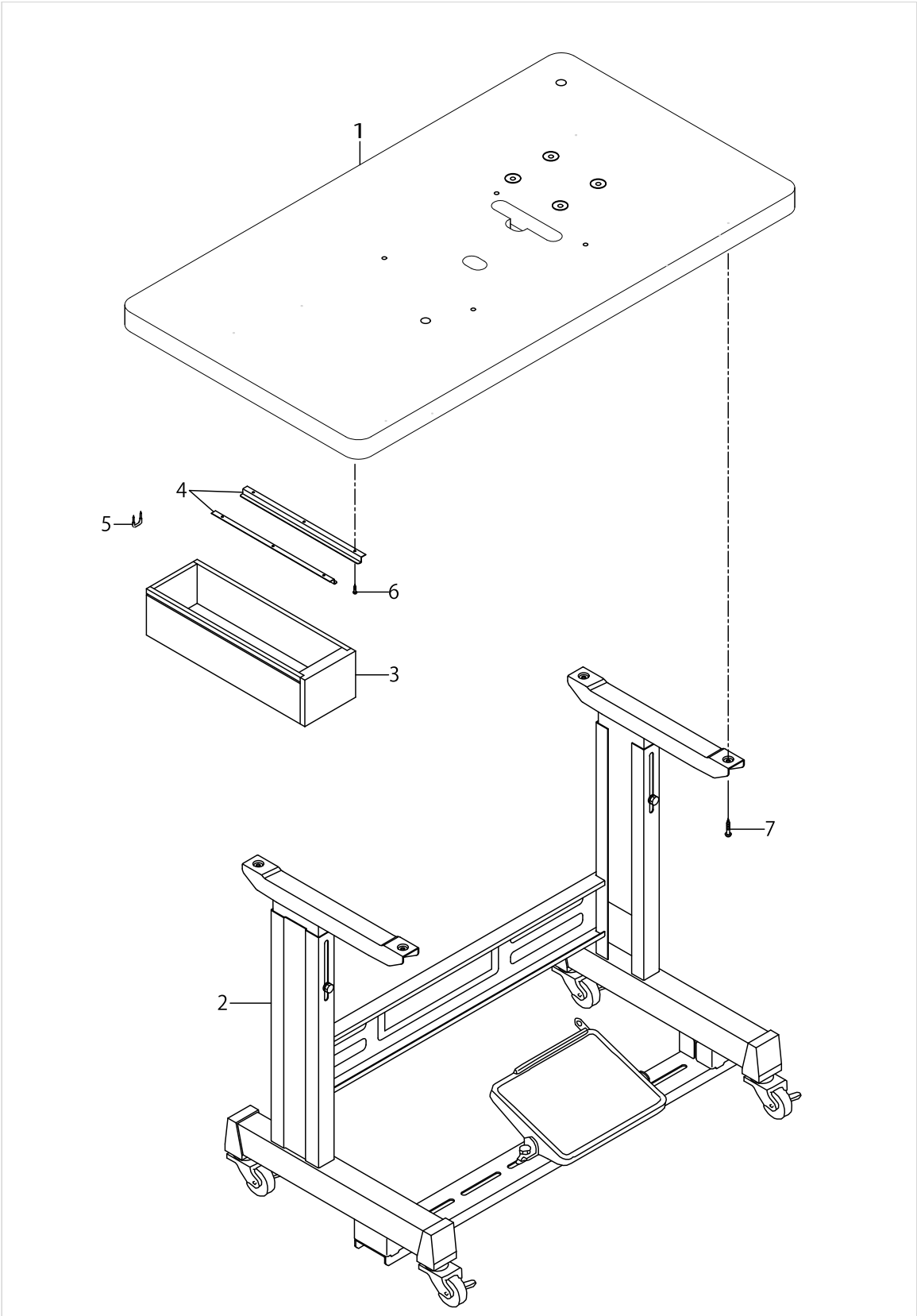
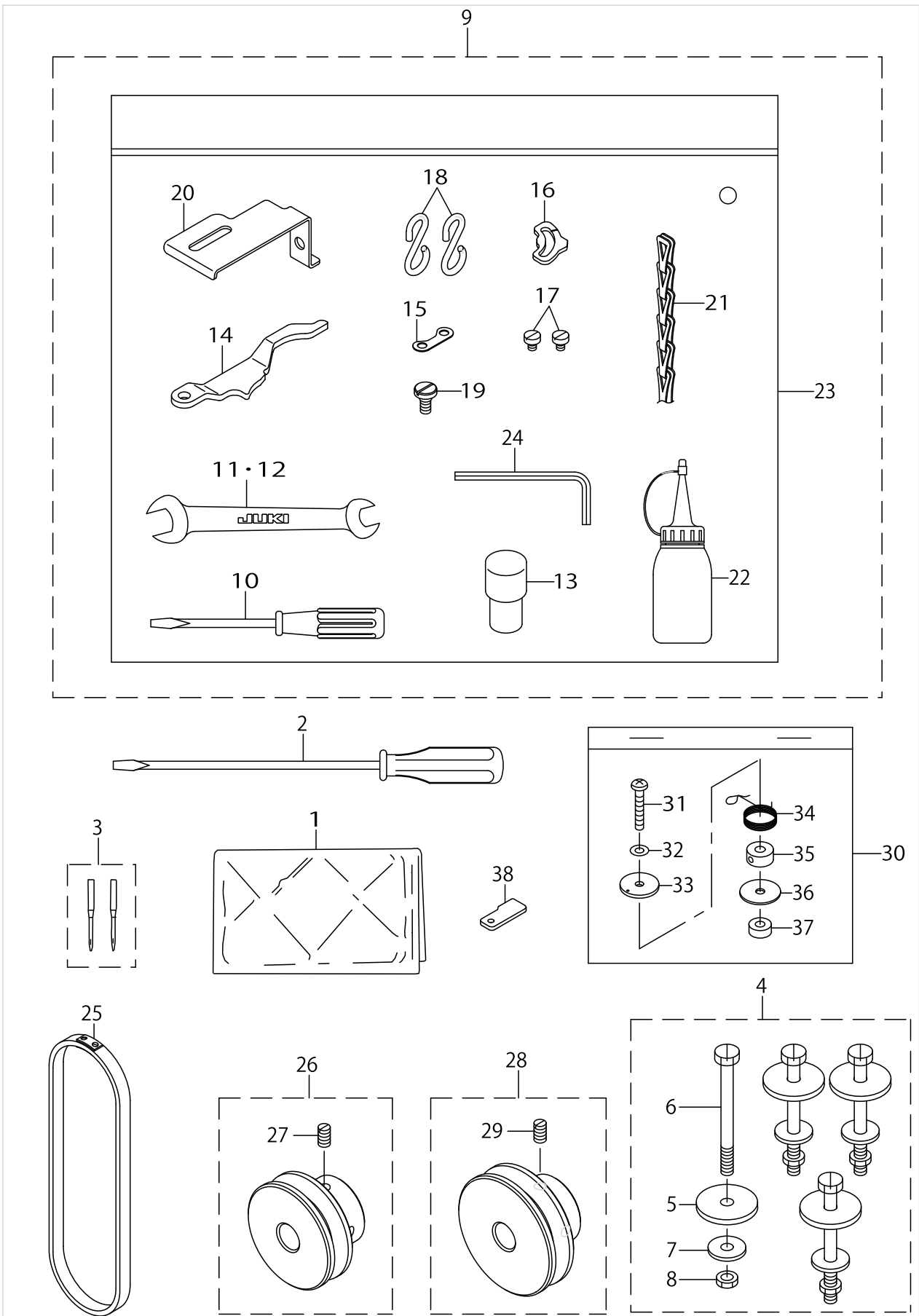


TABLE & STAND COMPONENTS

No.	Supply Code	Parts No.	Replacement	Parts name	Remarks	Choice	Step	Level	Cons	Qty	Rep. QTY
1		40040971		TABLE						1	
2		11159365		T STAND JUNCTION						1	
3	R	11155108	11155157	DRAWER						1	1.00
4		11155207		DRAWER SUPPORT						2	
5		D8204555D00		DRAWER STOPPER						1	
6		SK3311600SE		WOOD SCREW D=3.1 L=16						6	
7		SK3483200SE		WOOD SCREW D=4.8 L=32						4	

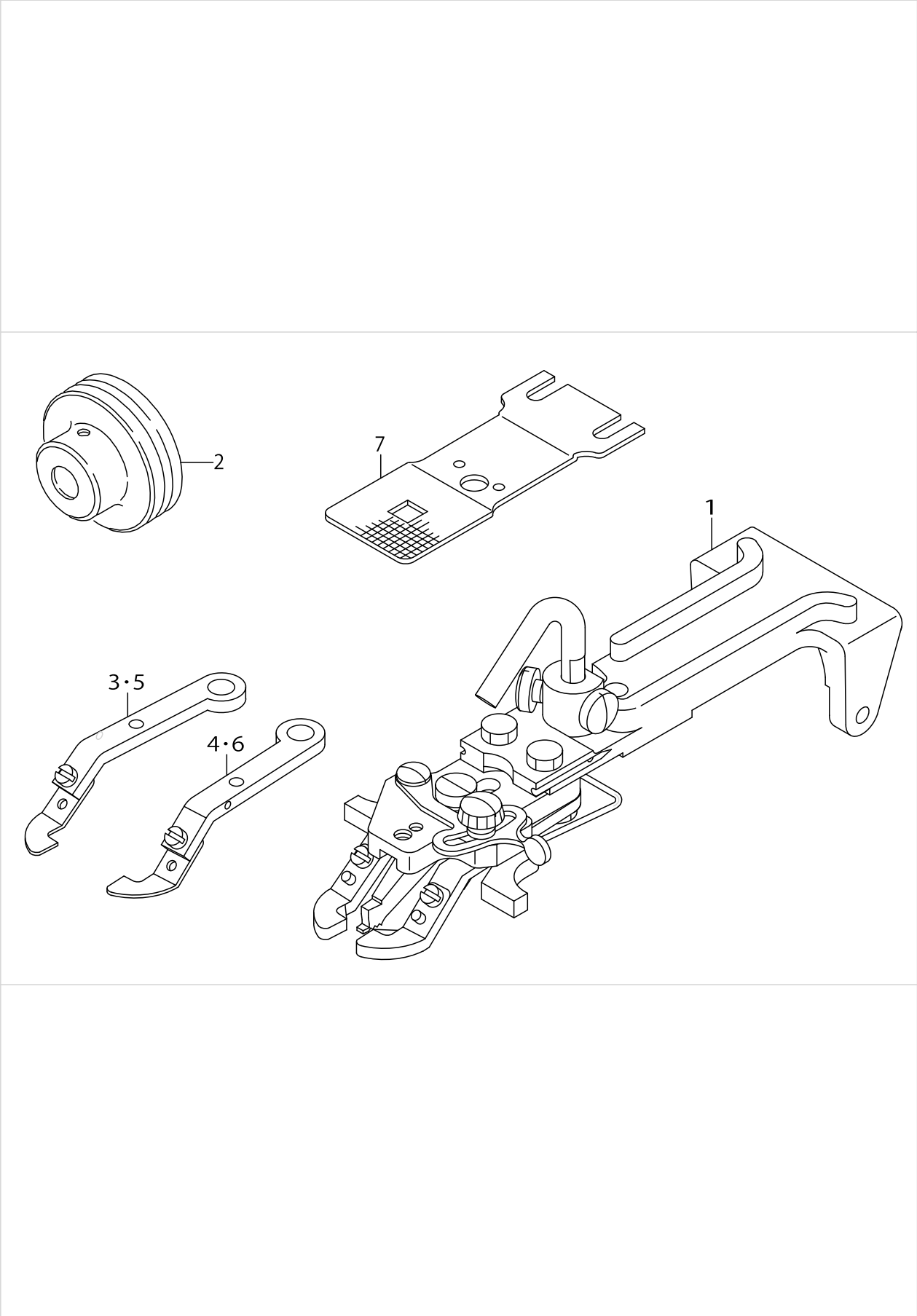
ACCESSORIE PARTS COMPONENTS



ACCESSORIE PARTS COMPONENTS

No.	Supply Code	Parts No.	Replacement	Parts name	Remarks	Choice	Step	Level	Cons	Qty	Rep. QTY
1		22933303		VINYL COVER						1	
2		22933006		SCREW DRIVER,LARGE						1	
3		MTQ700B1802		NEEDLE TQX7#18-2						1	
4		40041072		BASE_SCREW_SET						1	
5		40038174		RUBBER_CUSHION				*		4	
6		SS9156830SP		SCREW15/64-28L=68				*		4	
7		WP0612056SD		WASHER 6.1X18.5X2				*		4	
8		NS6150310SP		NUT 15/64-28				*		4	
9		40041073		ACCESSORIE_BAG_ASM.						1	
10		22933105		SCREW DRIVER,MIDDLE				*		1	
11		26233700		WRENCH				*		1	
12		26034801		WRENCH				*		1	
13		40033327		FRAME_SUPPORT_BAR				*		1	
14		40038459		STITCH_NUMBER_LEVER				*		1	
15		26030809		SPACER				*		1	
16		40040946		THREAD_BIND_NOTCH				*		1	
17		SM6040560TP		SCREW M4X0.5 L=4.5				*		2	
18		13160304		S SHAPED HOOK				*		2	
19		SD0600346TP		SHOULDER SCREW D=6 H=3.4				*		1	
20		40038205		NEEDLE_BAR_GUARD				*		1	
21		26037903		CHAIN				*		1	
22		J1067000000		OILER				*		1	
23		22932800		ACCESSORIE BAG				*		1	
24		40055591		HEXAGONAL WRENCH KYE				*		1	
25		MTJVM00000C		V ROPE 820MM (LACING)						1	
26		40038286		MOTOR_PULLEY_60-HZ_1300RPM_ASM.						1	
27		SM8061010TP		SCREW				*		2	
28		40038285		MOTOR_PULLEY_50-HZ_1300RPM_ASM.						1	
29		SM8061010TP		SCREW				*		2	
30		40112426		THREAD_TENSION_NO3_ASSY						1	
31		SM4042501SC		SCREW M4X0.7 L=25				*		1	
32		WP0430801SE		WASHER 4.3X9X0.8				*		1	
33		40112427		SPRING_BASE				*		1	
34		B3105377B00		THREAD TAKE-UP SPRING				*		1	
35		40040243		SPRING_HOOK				*		1	
36		WP0451016SP		WASHER 4.5X20X1				*		1	
37		D2063772B00		LOCKING CAM PLATE HOLDER				*		1	
38		40041085		GAUGE						1	

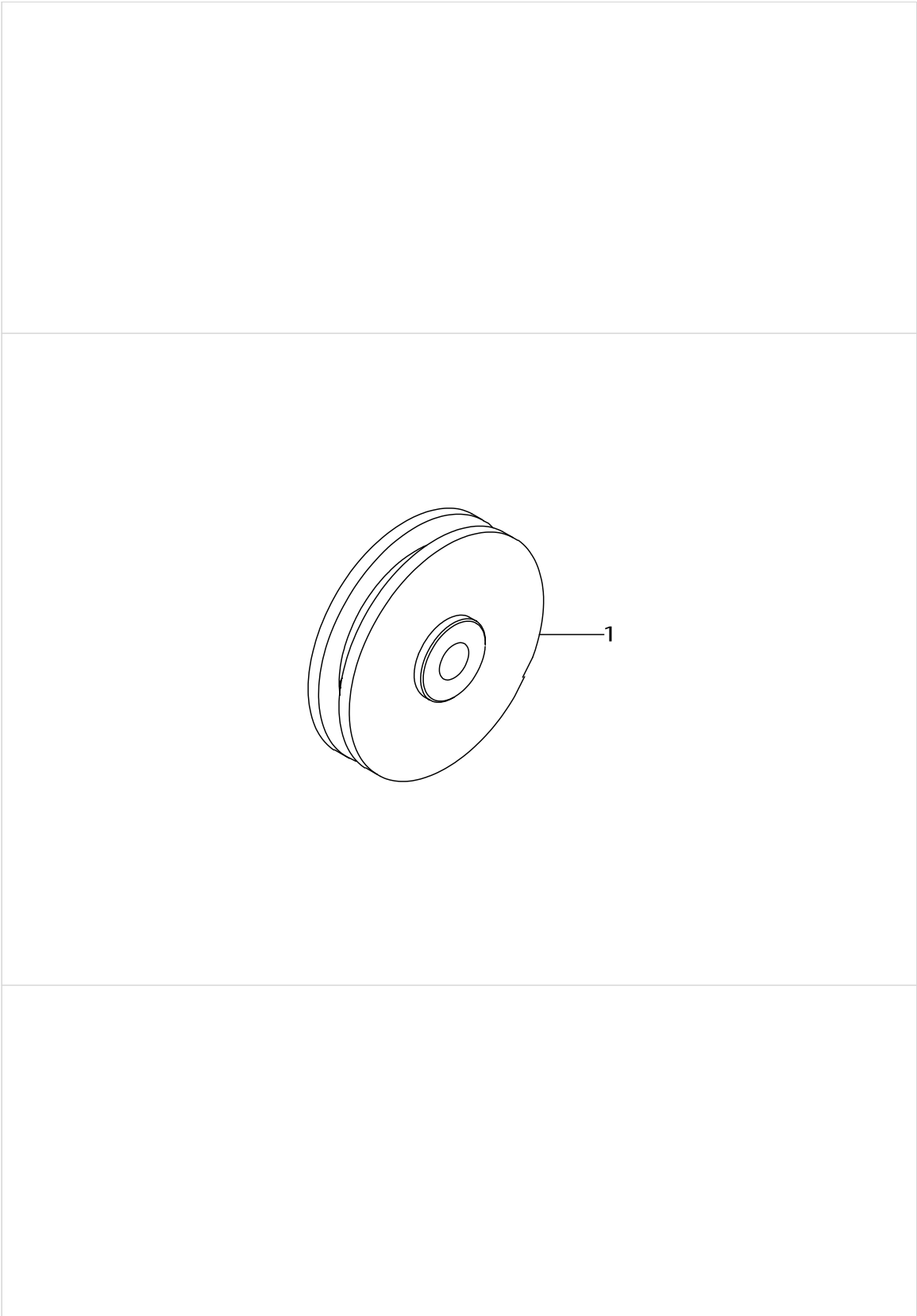
SPECIAL ORDER SPEC COMPONENTS



SPECIAL ORDER SPEC COMPONENTS

No.	Supply Code	Parts No.	Replacement	Parts name	Remarks	Choice	Step	Level	Cons	Qty	Rep. QTY
1		MAZ201010A0		PICK-UP DEVICE ASM. L BUTTON						1	
2		40038290		MOTOR_PULLEY_50-HZ_1500RPM_ASM						1	
3		B25563720AA		BUTTON CLAMP JAW LEVER ASM., L						1	
4		B25583720AA		BUTTON CLAMP JAW LEVER ASM., R						1	
5		D2556372CAA		BUTTON CLAMP JAW LEVER ASM., L						1	
6		D2558372CAA		BUTTON CLAMP JAW LEVER ASM., R						1	
7		D2529373C00A		FEED PLATE, LARGE BUTTON						1	

SUBCLASS COMPONENTS(FOR MB-1373-11)



SUBCLASS COMPONENTS(FOR MB-1373-11)

No.	Supply Code	Parts No.	Replacement	Parts name	Remarks	Choice	Step	Level	Cons	Qty	Rep. QTY
1		40041032		LENGTHWISE_FEED_CAM(X)						1	

HOW TO MAKE USE OF THIS PARTS LIST

1.As to "#01" and "#02" refer to the "Note" given at the bottom of the respective pages.

2.Codes on the "Qty" column

- Each numeral indicates the number of parts required.
- "0.1" and "2.5" indicate the length (in meters) of the respective parts.

3.Parentheses mean that the corresponding part is a subpart that constructs an assembly part.

4.Dotted lines on the Figures indicate assembly parts.

1. リストページの# 0 1、# 0 2の印は、ページ下の"注記"の説明を参照下さい。
2. 数量欄の数字は、個数を表し、0. 1、2. 5等の数値は、長さ（単位メートル）を表します。
3. 数量欄の（ ）は、組部品を構成している子部品であることを意味します。
4. イラストページの-----枠は、組構成であることを意味します。

NUMERICAL INDEX OF PARTS

PART NO	PAGE	REF NO.	PART NO	PAGE	REF NO.	PART NO	PAGE	REF NO.
10510808	20	6~8	26019505	12	43	26030007	30	3
11155108	36	3	26019604	28	20	26030106	30	7
11155207	36	4	26019802	12	32	26030304	30	2
11159365	36	2	26019901	12	28	26030601	28	9
13160304	28	26	26020107	12	29	26030809	30	21
13160304	38	18	26020206	12	17	26030809	38	15
14606107	26	2	26020305	12	12	26030908	30	5
22921407	12	27	26020404	12	11	26031005	30	6
22924906	28	25	26020503	12	7	26031203	4	6
22932800	38	23	26020602	12	5	26031302	4	8
22933006	38	2	26021105	14	57	26031351	4	7
22933105	38	10	26021402	12	44	26031401	4	9
22933303	38	1	26021600	4	3	26031500	4	10
26000455	12	16	26021709	22	55	26031609	4	11
26000950	12	6	26022202	20	39	26031708	4	12
26003103	8	23	26022400	18	59	26032003	4	4
26005207	12	41	26022509	18	50	26032508	20	29
26005306	12	40	26022608	4	27·28	26033308	20	14
26011205	4	22	26022707	4	27·28	26033407	20	13
26012401	24	2	26023200	16	13	26033605	22	57
26012500	24	4	26024208	16	21	26033704	4	20
26012609	24	10	26024604	16	3	26034801	38	11·12
26012708	24	11	26024703	16	5	26037200	4	46
26013102	8	40	26024901	16	4	26037903	38	21
26013409	8	8	26025106	16	19	26229104	28	6
26013607	8	6	26025205	2	29	26233700	38	11·12
26013805	8	9	26025403	2	9	40033327	38	13
26015305	8	30	26025502	2	6	40038110	28	7
26015404	8	28	26025700	2	12	40038111	8	32
26015503	8	26	26025809	2	11	40038116	20	3
26017103	32	16	26025908	2	14	40038117	26	12
26017301	32	18	26026005	2	13	40038118	28	3
26017707	26	3	26026104	2	16	40038119	20	1
26018101	20	2	26026203	2	17	40038120	26	8~10
26018309	24	31	26026302	2	21	40038121	26	8~10
26018309	26	23	26026401	2	22	40038122	26	8~10
26018408	26	19	26026609	2	15	40038135	24	16
26018507	26	20	26026708	2	20	40038136	24	17
26018606	26	18	26026856	2	1	40038137	24	15
26018705	26	15	26027102	2	25	40038138	24	18
26019000	14	52	26027409	2	27	40038139	24	19
26019109	12	37	26027805	28	1	40038140	24	20
26019208	12	22	26028001	28	27	40038142	26	7
26019307	12	21	26028308	28	23	40038160	28	22
26019406	12	18	26029207	30	28	40038169	24	5

NUMERICAL INDEX OF PARTS

PART NO	PAGE	REF NO.	PART NO	PAGE	REF NO.	PART NO	PAGE	REF NO.
40038173	4	35	40038433	16	34	40040946	38	16
40038174	38	5	40038436	16	37·38	40040951	26	4
40038175	24	6	40038439	16	32	40040952	26	5
40038203	24	3	40038442	16	44	40040953	20	17
40038205	12	2	40038444	18	47	40040961	18	56
40038205	38	20	40038445	20	27	40040962	20	16
40038206	14	48	40038446	4	41	40040964	18	55
40038207	14	53	40038448	28	11	40040965	16	45
40038208	12	25	40038449	24	8	40040971	36	1
40038210	12	31	40038452	32	2	40041022	4	26
40038214	12	26	40038453	16	24	40041025	18	52
40038219	20	43	40038455	32	24	40041029	16	16
40038269	30	25	40038456	32	13	40041030	16	14
40038270	28	5	40038459	38	14	40041032	18	48·49
40038271	30	26	40038461	24	28	40041032	42	1
40038283	20	35	40038463	16	20	40041033	18	51
40038285	38	28	40038469	16	31	40041044	18	63
40038286	38	26	40038471	4	43	40041045	18	62
40038290	40	2	40038476	12	14	40041045	26	24
40038304	30	32	40038479	12	23	40041046	30	29
40038305	32	23	40038482	8	25	40041048	30	36
40038306	32	22	40038483	4	23	40041049	30	37
40038313	16	39·40	40038484	8	5	40041050	30	31
40038314	16	39·40	40038486	32	4	40041051	30	38
40038320	14	58	40038488	32	1	40041052	16	11
40038321	20	19	40038489	32	9	40041054	30	30
40038396	14	47	40038492	12	9	40041055	16	26~28
40038397	22	50	40038494	32	15	40041056	16	26~28
40038398	20	20	40038495	22	53	40041057	16	26~28
40038400	8	10	40038496	16	17	40041058	2	2
40038403	8	11	40038498	16	7	40041061	16	35
40038404	12	38	40038499	16	9	40041067	4	32
40038405	12	42	40038502	20	36	40041069	2	28
40038408	12	39	40040243	38	35	40041072	38	4
40038410	28	28	40040931	4	16	40041073	38	9
40038413	20	31	40040932	4	18	40041077	12	8
40038414	20	30	40040935	4	39	40041085	38	38
40038424	4	37	40040936	4	38	40041106	8	22
40038425	4	30	40040937	2	32	40042081	18	58
40038426	4	1	40040938	2	24	40042148	24	29
40038428	20	38	40040940	28	29	40042279	16	37·38
40038429	22	45	40040942	30	14	40042281	16	41
40038430	4	31	40040943	30	13	40042437	28	12
40038431	4	24	40040944	30	16	40054729	4	44
40038432	16	33	40040946	30	20	40054730	4	45

NUMERICAL INDEX OF PARTS

PART NO	PAGE	REF NO.	PART NO	PAGE	REF NO.	PART NO	PAGE	REF NO.
40055591	38	24	B25563720AA	40	3·5	NM6050001SP	32	14
40085784	34	2	B25583720AA	40	4·6	NM6060001CP	2	31
40085785	34	3	B2608280000	28	8	NM6060001CP	12	33
40085786	34	4	B2611373N00	28	30	NM6060001CP	16	6
40085787	34	5	B2629372000	30	12	NM6060001CP	28	16
40085788	34	6	B2630372000A	30	17	NM6060001SE	14	56
40085789	34	7	B2631372000	30	18	NM6060003SP	24	25
40085790	34	8	B2632372000A	30	19	NM6060003SP	28	2
40085791	34	9	B2640372000	30	8	NM6080021SP	22	44
40085792	34	10	B2702377000	8	17	NS6110310SP	30	10
40085793	34	11	B27033770A0	8	16	NS6150310SP	22	49
40085794	34	12	B3105377B00	38	34	NS6150310SP	28	14
40085795	34	13	B3211232000	30	9	NS6150310SP	38	8
40085796	34	16	B4411372000	20	15	NS6620310SP	22	48
40087058	28	18	B4420373000	20	11	NS6680410SP	28	10
40096325	34	14	CM301300001	4	17	PS0300162KH	12	34
40096326	34	17	CM500200001	24	22	PS0500102KH	6	50
40096327	34	19	CQ202000000	26	16	RC0560711KP	32	11
40096354	34	1	CQ2500000F0	26	25	RE0200000K0	4	13
40097991	8	34	CQ252000000	18	67	RE0320000K0	6	51
40098330	16	23	CQ3000000F0	18	65	SD0402001TP	12	10
40098872	8	33	CS0790721TH	8	2	SD0460576TP	32	19
40112426	38	30	CS079072ATH	8	1	SD0481456TP	32	21
40112427	38	33	CS0950810SH	20	24	SD0550181SP	2	10
40120628	20	23	CS0950816SH	20	25	SD0550301SP	2	8
B1161227000	16	25	D2063772B00	38	37	SD0600095TH	8	21
B1203372000	24	1	D2509282A00	32	8	SD0600277TP	4	36
B1208372000	24	14	D2529373B00A	16	1·29	SD0600346TP	38	19
B1215372A00	8	39	D2529373C00A	40	7	SD0640211SP	20	33
B1215372B00	24	26	D2556372CAA	40	3·5	SD0640246SP	8	12
B12173720BA	24	30	D2558372CAA	40	4·6	SD0640323TP	22	46
B1220372000	8	44	D8204555D00	36	5	SD0640328TP	32	3
B1221373N00	8	42	EA9500B0100	18	66	SD0640391TP	2	18
B1221373NA0	8	41	J1067000000	38	22	SD0640481SP	16	22
B12243720A0	8	37	MAZ201010A0	40	1	SD0640481SP	20	22
B1239372000	10	46	MTJVM00000C	38	25	SD0640486TP	18	53
B12413770A0	8	15	MTQ100B1600	26	11	SD0640976TP	18	46
B12413770B0	8	14	MTQ700B1802	38	3	SD0641322TP	22	56
B1243372000	24	9	NM6030001SN	12	4	SD0680276TP	28	15
B1632180000	20	40	NM6040001SP	32	20	SD0710706TP	30	11
B24063730A0	8	20	NM6040002SN	12	45	SD0720336SP	32	7
B2410373000	8	18	NM6050001SE	34	24	SD0790316TP	22	51
B2506373000A	18	48·49	NM6050001SP	16	12	SD0790402TP	22	47
B2529373000	16	1·29	NM6050001SP	20	52	SD0790806TP	12	15
B2541372000	2	30	NM6050001SP	22	52	SD0791276TP	12	3

NUMERICAL INDEX OF PARTS

PART NO	PAGE	REF NO.	PART NO	PAGE	REF NO.	PART NO	PAGE	REF NO.
SD0791506TP	12	13	SM8060612TP	4	42	WP0451016SP	38	36
SD0800341SP	30	24	SM8060612TP	20	21	WP0501016SD	2	5
SD0800706TP	28	17	SM8060812TP	30	35	WP0501016SD	14	60
SD0901806TP	32	17	SM8061010TP	8	31	WP0501016SD	16	30
SD0950804TP	26	14	SM8061010TP	20	28	WP0510516SD	20	41
SD1270346TP	30	1	SM8061010TP	24	27	WP0531001SC	34	22
SK3311600SE	36	6	SM8061010TP	30	15	WP0550800SP	14	49
SK3483200SE	36	7	SM8061010TP	38	29	WP0612056SD	38	7
SM1040870TP	8	36	SM8061212TP	16	18	WP0612066SP	28	19
SM1040950TP	8	7	SM8080812TP	24	23	WP0621026SP	24	13
SM4040655SP	6	47	SM8081752TP	24	24	WP0621026SP	32	10
SM4040655SP	16	42	SM9050813SE	16	36	WP0703516SP	20	12
SM4040855SP	4	34	SM9061003CP	28	21	WP0751576SD	20	10
SM4042501SC	38	31	SM9061250TP	28	24	WP0850002SP	30	4
SM4050855SP	16	43	SM9061403CP	14	55	WP0851216SC	20	6~8
SM4051405SE	34	23	SM9061403CP	26	13	WP1612616SE	34	15
SM4061255SP	12	46	SS2110920TP	26	17	WS0510002KN	34	21
SM4061255SP	14	46	SS6660712TP	8	43	WS0650389KP	4	29
SM6030402TP	22	58	SS7080310SP	8	19			
SM6040502TP	30	33	SS7080510TP	26	1			
SM6040560TP	30	22	SS7090410SP	2	19			
SM6040560TP	38	17	SS7090620TP	8	3			
SM6040600SP	4	33	SS7090910TP	30	34			
SM6040600SP	14	59	SS7150940SP	2	23			
SM6040650TP	4	5	SS8110310SP	8	29			
SM6040650TP	32	6	SS8110410TP	8	24			
SM6040800SP	8	4	SS8110410TP	20	26			
SM6040800SP	12	35	SS8110422TP	8	35			
SM6041200SP	26	6	SS8150410TP	8	27			
SM6050800SP	4	21	SS8151570SP	28	13			
SM6050800SP	18	61	SS8660612TP	8	45			
SM6050800SP	30	23	SS8660612TP	26	21			
SM6051400SP	14	51	SS8660942TP	26	22			
SM6051600SP	20	32	SS8681412TP	18	60			
SM6060550TP	24	21	SS9120643TP	16	2			
SM6061002TP	20	37	SS9156830SP	38	6			
SM6061150TP	28	4	SS9621413SP	2	4			
SM6061602TN	30	27	TA1250406R0	6	49			
SM6062450TP	24	12	TA2050406R0	4	15			
SM6083042CH	4	19	WP0330501SB	20	34			
SM7051460TP	14	50	WP0430800SD	6	48			
SM7051460TP	22	54	WP0430800SD	32	5			
SM8040612TP	24	7	WP0430801SE	38	32			
SM8060552TP	18	57	WP0450801SP	12	36			
SM8060610TP	4	25	WP0450846SP	14	54			