

MODEL : LU-2220N-7

List No : 1495-03

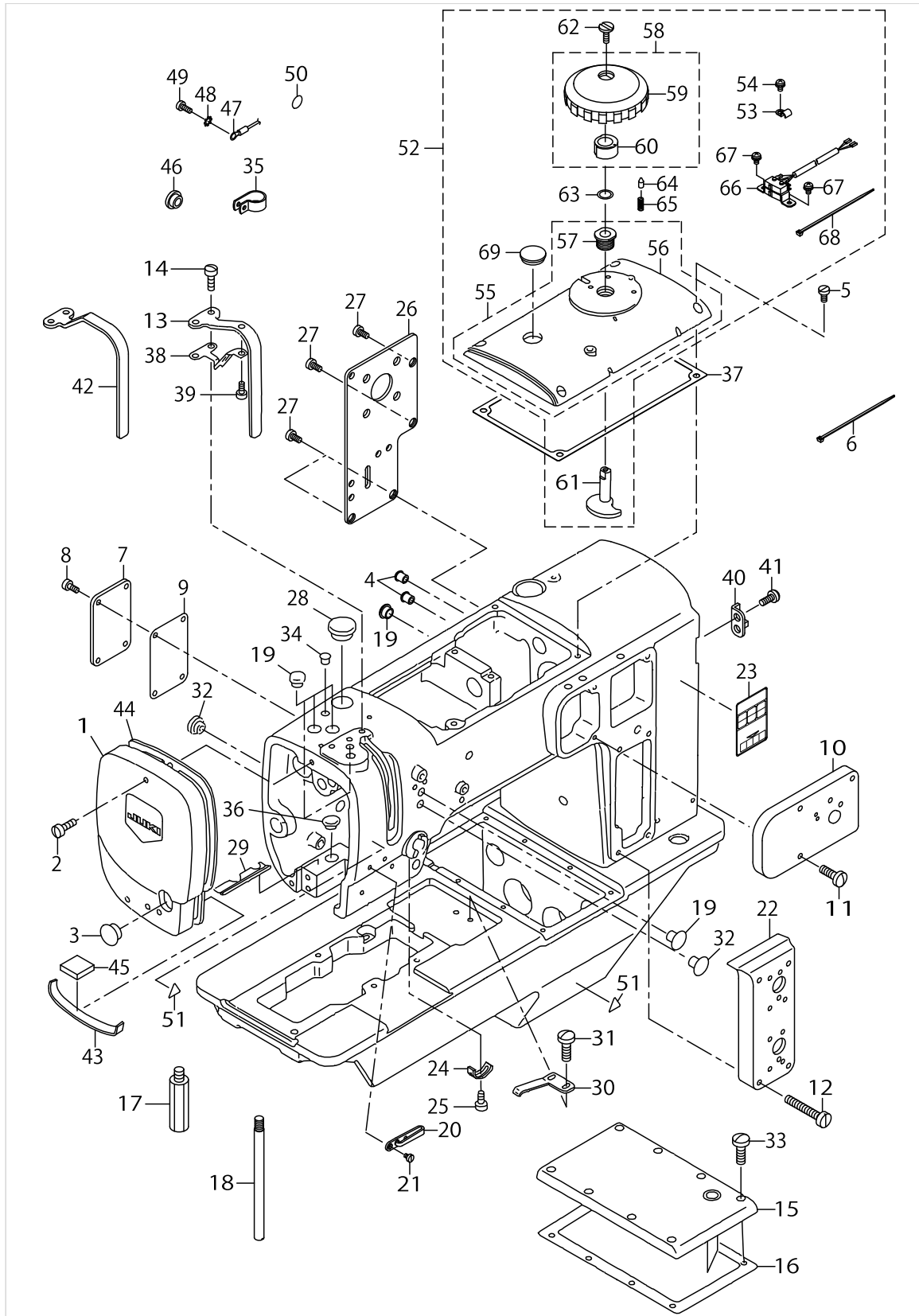
PARTS LIST

Published:05/12/2017

CONTENTS

FRAME & MISCELLANEOUS COVER COMPONENTS.....	1
MAIN SHAFT,HOOK DRIVING SHAFT DELIVERY & THREAD TAKE-UP LEVER COMPONENTS...	5
NEEDLE BAR ROCKING COMPONENTS	9
UPPER FEED MECHANISM COMPONENTS.....	11
FEED ADJUSTMENT & REVERSE FEED MECHANISM COMPONENTS.....	15
LOWER FEED MECHANISM COMPONENTS	19
THREAD TRIMMER COMPONENTS (1).....	23
THREAD TRIMMER COMPONENTS (2).....	25
HOOK SHAFT BASE COMPONENTS.....	27
HOOK COMPONENTS.....	31
NEEDLE THREAD CLAMP MECHANISM COMPONENTS.....	33
THREAD TENSION COMPONENTS.....	35
LOWER THREAD WINDER MECHANISM COMPONENTS.....	37
PRESSURE ADJUSTING COMPONENTS.....	39
PRESSER LIFTER,AUTOMATIC PRESSER LIFTER & TENSION RELEASE MECHANISM.....	41
COMPONENTS	
2P DEVICE.....	43
MUTUAL RISING QUANTITY TRANSFER COMPONENTS.....	45
BACK TUCK COMPONENTS	47
LUBRICATION COMPONENTS	49
6-RANGE SWITCH COMPONENTS.....	53
PNEUMATIC COMPONENTS	55
TABLE & BELT COVER COMPONENTS	57
THREAD STAND COMPONENTS.....	59
GAUGE COMPONENTS.....	61
ACCESSORIES PARTS COMPONENTS	63
TABLE OF EXCHANGING GAUGE PARTS (1).....	65
TABLE OF EXCHANGING GAUGE PARTS (2).....	67
LIST FOR INFORMATION OF CHANGE (1).....	69
LIST FOR INFORMATION OF CHANGE (2).....	70
HOW TO MAKE USE OF THIS PARTS LIST	71

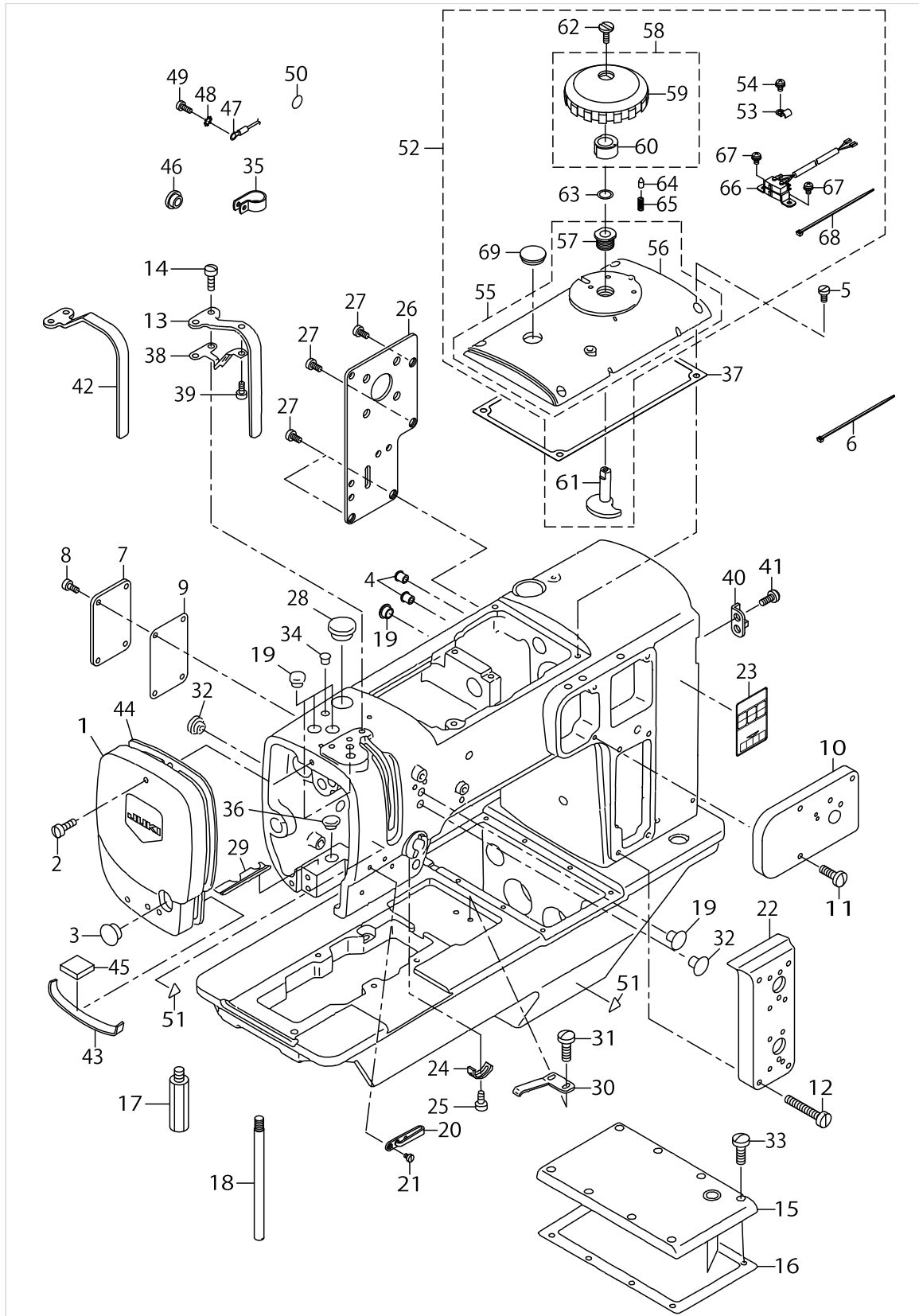
FRAME & MISCELLANEOUS COVER COMPONENTS



FRAME & MISCELLANEOUS COVER COMPONENTS

No.	Supply Code	Parts No.	Replacement	Parts name	Remarks	Choice	Step	Level	Cons	Qty	Rep. QTY
1		10743151		FACE PLATE ASM.						1	
2		SS7121610SP		SCREW 3/16-28 L=15.5						2	
3		TA1250406R0		RUBBER PLUG D=12.5 L=4						1	
4		TA0850604R0		RUBBER PLUG						2	
5		SS6121010SP		SCREW 3/16-28 L=10						4	
6		EA9500B0100		CABLE BAND						1	
7		10743003		SIDE COVER						1	
8		SS6121010SP		SCREW 3/16-28 L=10						4	
9		10700706		SIDE COVER PACKING						1	
10		40027140		FACE APERTURE PLATE (A) ASM.						1	
11		SS7121610SP		SCREW 3/16-28 L=15.5						3	
12		SS6123010SP		SCREW 3/16-28 L=30.0						4	
13		10743201		THREAD TAKE-UP COVER	EXCEPT U- SE IN JAPAN ,JE					1	
14		SS6121010SP		SCREW 3/16-28 L=10						2	
15		40067331		BED TOP COVER ASM.						1	
16		10701209		TOP COVER PACKING						1	
17		10701308		BED STRUT						1	
18		10777308		BED STEW C						1	
19		TA1050504R0		RUBBER PLUG						5	
20	R	22603203	SS2090810SP	THREAD GUIDE(LOWER)		A				1	1.00
20	R	22603203	40084142	THREAD GUIDE(LOWER)		A				1	1.00
21		SS6090510TP		SCREW 9/64-40 L= 5.0						1	
22		40027141		FACE APERTURE PLATE (B) ASM.						1	
23		CM301200001		SAFETY LABEL_S						1	
24		B3138512000		TAKE-UP SPRING A- DJUSTING PLATE						1	
25		SS7090520TP		SCREW 9/64-40 L= 4.5						1	
26		40025562		APERTURE PLATE (A)						1	
27		SS6121010SP		SCREW 3/16-28 L=10						4	
28		TA2050406R0		RUBBER PLUG						1	
29		10731701		RUBBER						1	
30		B1111563000		BED SLIDE SPRING						1	
31		SS7110510SP		SCREW 11/64-40 L=5						2	
32		B1150490000		RUBBER PLUG						2	
33		SS7110910TP		SCREW 11/64-40 L= 8.5						8	
34		TA0750704R0		RUBBER PLUG						1	
35		HX00150000J		CLIP						1	
36		TA1250504R0		RUBBER PLUG						1	
37		10700508		TOP COVER PACKING						1	
38		10709004		PLATE	EXCEPT U- SE IN JAPAN ,JE					1	
39		SS6110480SP		SCREW 11/64-40 L=4.3	EXCEPT U- SE IN JAPAN ,JE					1	
40		10745800		FLYWHEEL POINTER						1	
41		SS7110510SP		SCREW 11/64-40 L=5						2	
42		10754901		THREAD TAKE-UP COVER	FOR USE IN JAPAN ,JE					1	
43		10733103		FACE PLATE FELT						1	

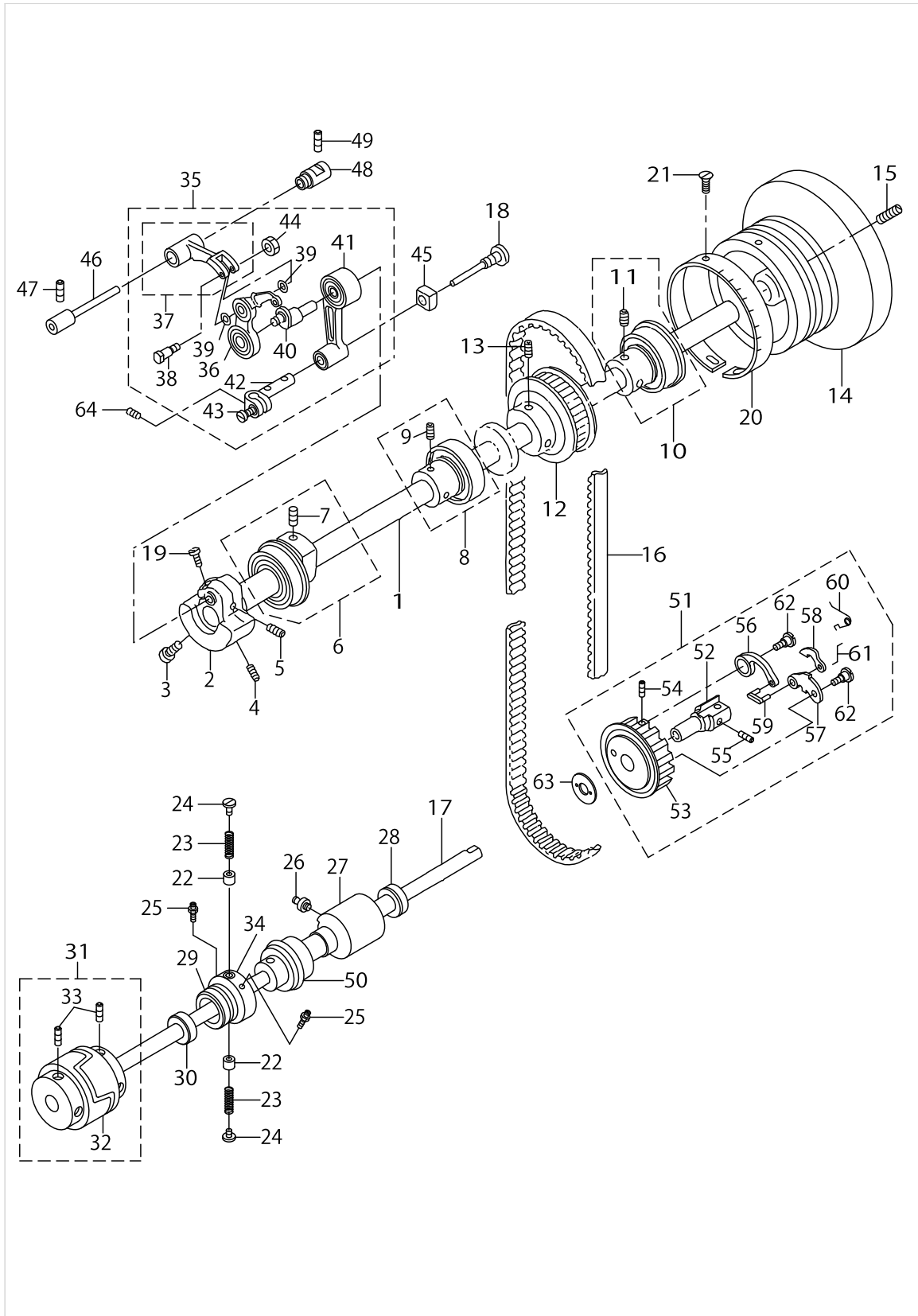
FRAME & MISCELLANEOUS COVER COMPONENTS



FRAME & MISCELLANEOUS COVER COMPONENTS

No.	Supply Code	Parts No.	Replacement	Parts name	Remarks	Choice	Step	Level	Cons	Qty	Rep. QTY
44		10704609		FACE PLATE PACKING						1	
45		B3510019000		OIL FELT						1	
46		10732204		CORD BUSH						1	
47		22951552		GROUND WIRE ASM.						1	
48		WT0530002KS		TOOTHED WASHER D=5.3						1	
49		SS6111140SP		SCREW11/64-40L=11						1	
50		22901805		GROUND MARK						1	
51		CM300200001		ATTENTION SEAL						2	
52		40100943		TOP COVER ASM.						1	
53		B3538112000		OIL RETURN TUBE HOLDER				*		1	
54		SL4040881SC		SCREW M4 L=8				*		1	
55		10774651		TOP COVER ASM.				*		1	
56		10774602		TOP COVER				*		1	
57		40052251		VERTICAL DIAL SHAFT BUSHING				*		1	
58		10774354		UPPER AND LOWER DIAL ASM.				*		1	
59	R	10774305	10774354	VERTICAL DIAL				*		1	1.00
60		10774404		VERTICAL CAM				*		1	
61		40108542		VERTICAL ADJUSTING CAM				*		1	
62		SS6110630TP		SCREW 11/64-40 L=6				*		1	
63		WZ1052010KP		WAVED WASHER				*		1	
64		10715704		VERTICAL DIAL PIN				*		1	
65		B152652700G		SPRING				*		1	
66		40024852		VERTICAL DETECT-OR SWITCH ASM.				*		1	
67		SL4040881SC		SCREW M4 L=8				*		2	
68		EA9500B0100		CABLE BAND				*		1	
69		TA2050406R0		RUBBER PLUG				*		1	

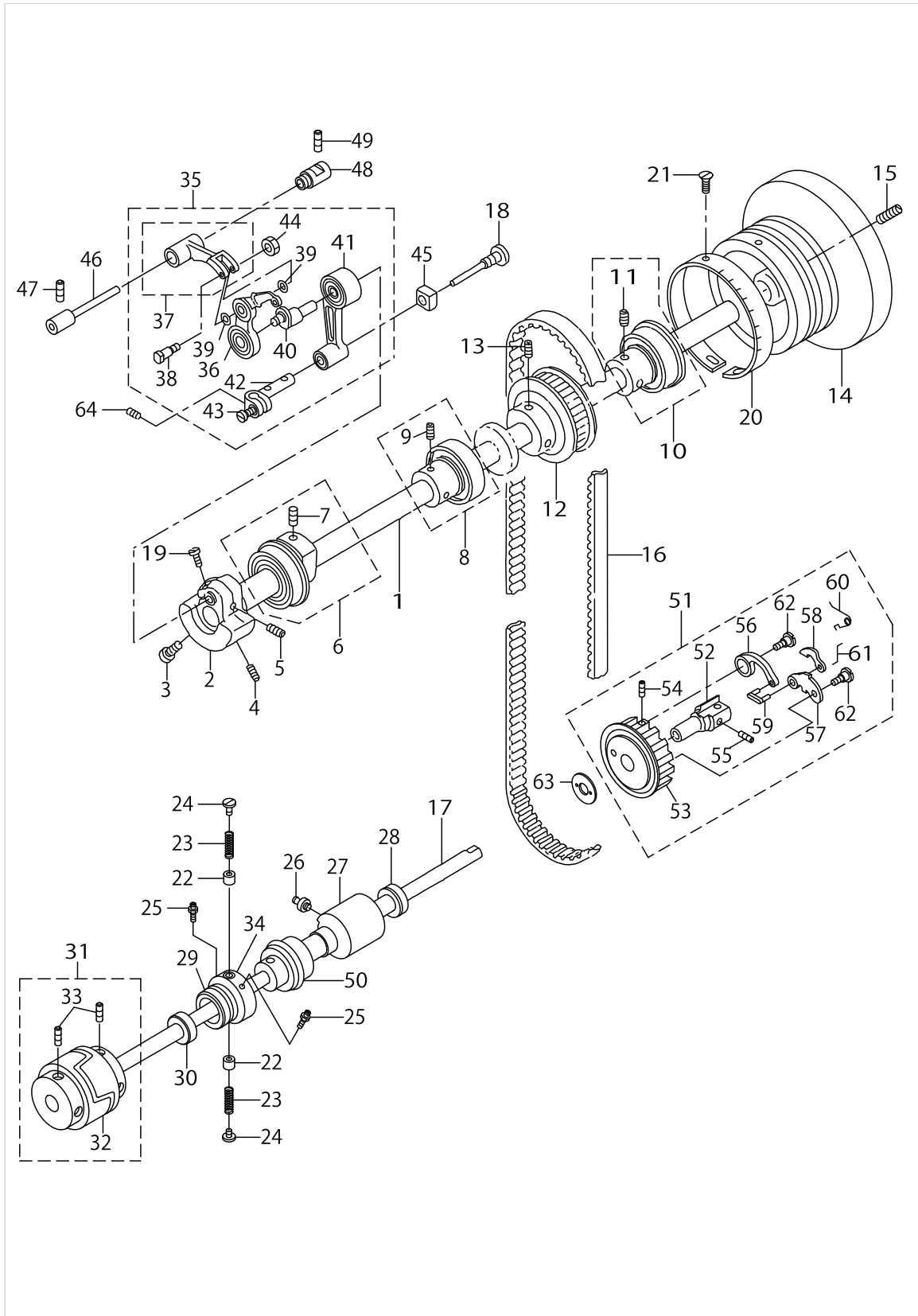
MAIN SHAFT,HOOK DRIVING SHAFT DELIVERY & THREAD TAKE-UP LEVER COMPONENTS



MAIN SHAFT,HOOK DRIVING SHAFT DELIVERY & THREAD TAKE-UP LEVER COMPONENTS

No.	Supply Code	Parts No.	Replacement	Parts name	Remarks	Choice	Step	Level	Cons	Qty	Rep. QTY
1		10704401		UPPER SHAFT						1	
2		10704500		BALANCE WEIGHT						1	
3		SS7681750TP		SCREW 9/32-28 L=16.5						1	
4		SS8681650TP		SCREW 9/32-28 L=16						1	
5		SS8660512TP		SCREW 1/4-40 L=5						1	
6		10704757		BALANCE WEIGHT						1	
7		SM8080802TP		SCREW				*		1	
8		10704955		UPPER SHAFT BEA- RING HOOK A ASM						1	
9		SM8060602TP		SCREW M6X6				*		2	
10		10704963		UPPER SHAFT BEA- RING HOOK B ASM						1	
11		SM8060602TP		SCREW M6X6				*		2	
12	D	10705002		UPPER SPROCKET						1	
13		SM8080802TP		SCREW						2	
14		10741007		FLYWHEEL, LARGE						1	
15		SS8150822TP		SCREW 15/64-28 L=8						2	
16		10706703		TIMING BELT					☆	1	
17		10705408		LOWER SHAFT						1	
18		10708303		NEEDLE ROD THRUST SCREW						1	
19		SS6621220SP		SCREW 3/16-32 L=12						2	
20		10745909		FLYWHEEL SCALE PLATE						1	
21		SM3030650SC		SCREW M3X0.5 L=6						3	
22	R	11020401	22923403	PLUNGER						2	1.00
23	R	11020609	22923601	PLUNGER SPRING						2	1.00
24	R	11020500	22923502	PLUNGER SCREW						2	1.00
25		SQ1110401MZ		CONNECTING SCREW						2	
26		SQ1150451MZ		CONNECTING SCREW						1	
27		10775500		LOWER SHAFT REAR METAL						1	
28		10705606		LOWER SHAFT METAL OIL SEAL						1	
29		10705754		LOWER SHAFT FRO- NT METAL ASM.						1	
30		10705606		LOWER SHAFT METAL OIL SEAL						1	
31		40064519		LOWER SHAFT COUPLING SET						1	
32	R	10776656	40064519	LOWER SHAFT COUPLING ASM.				*		1	1.00
33		SM8060602TP		SCREW M6X6				*		4	
34		RO294310100		RUBBER RING						1	
35		10771269		BALANCE ASM.						1	
36	R	10771251	10771269	BALANCE JUNCTION COMPL.				*		1	1.00
37		10707156		BALANCE CRANK JUNCTION				*		1	
38		10754802		BALANCE CRANK PIN.				*		1	
39		10523702		WASHER				*		2	
40		10707602		NEEDLE ROD CRANK				*		1	
41		10707750		NEEDLE ROD CRANK ROD ASM.				*		1	
42		10707958		NEEDLE ROD HOLDER ASM.				*		1	
43		SS7090910TP		SCREW 9/64-40 L=8.5				*		1	
44		NM6040001SN		NUT M4X0.7				*		1	
45		10708006		NEEDLE ROD SQUARE BLOCK						1	

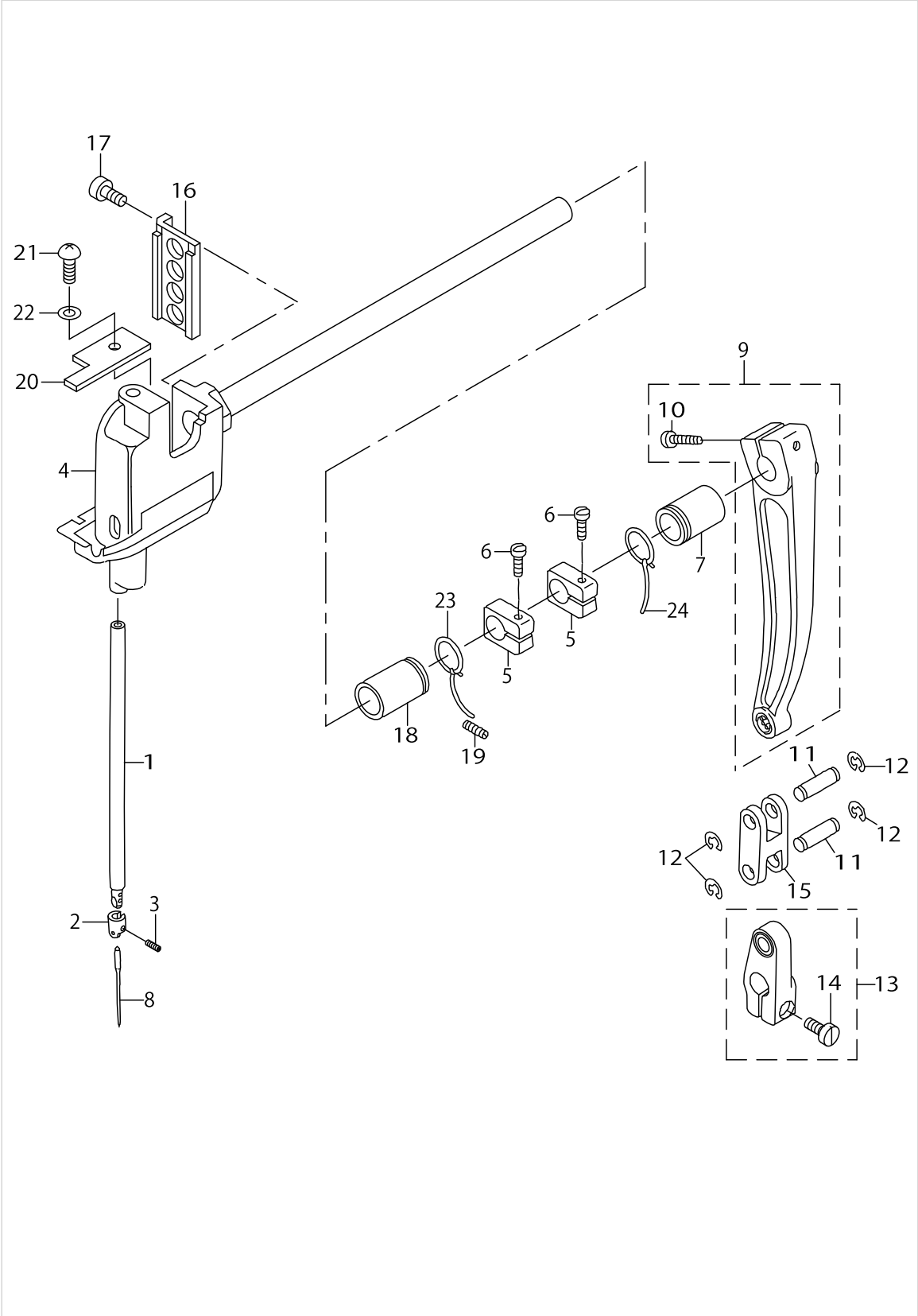
MAIN SHAFT,HOOK DRIVING SHAFT DELIVERY & THREAD TAKE-UP LEVER COMPONENTS



MAIN SHAFT,HOOK DRIVING SHAFT DELIVERY & THREAD TAKE-UP LEVER COMPONENTS

No.	Supply Code	Parts No.	Replacement	Parts name	Remarks	Choice	Step	Level	Cons	Qty	Rep. QTY
46		10707206		BALANCE CRANK SHAFT						1	
47		SS8120740SP		SCREW 3/16-28 L=7						1	
48		10707305		BALANCE CRANK S-HAFT SUPPORT						1	
49		SM8061212TP		SCREW M6X12						1	
50		RO312240100		O-RING						1	
51		10775658		SAFETY DEVICE ASM.						1	
52		10775609		SAFETY DEVICE HOOK				*		1	
53		10706315		LOWER SPROCKET				*		1	
54		SM8040502TP		SCREW M4X0.7 L=5				*		1	
55		SM8060602TP		SCREW M6X6				*		2	
56		10591709		SAFETY SPRING				*		1	
57		10748002		SAFETY CLUTCH PAWL				*		1	
58		B1308055000		SAFETY CLUTCH COUNTER-HOOK				*		1	
59		B1310055000		SAFETY CLUTCH SMALL LINK				*		1	
60	R	B1309055000	40113224	COUNTER-HOOK SPRING				*		1	1.00
61		B1314055000		SAFETY CLUTCH SMALL LINK PIN				*		1	
62		SD0640322TP		HINGE SCREW D= 6.35 H= 3.2				*		2	
63		40052266		LOWER SHAFT COUPLING PLATE						1	
64		SM8030402TP		SCREW M3X0.5 L=4						1	

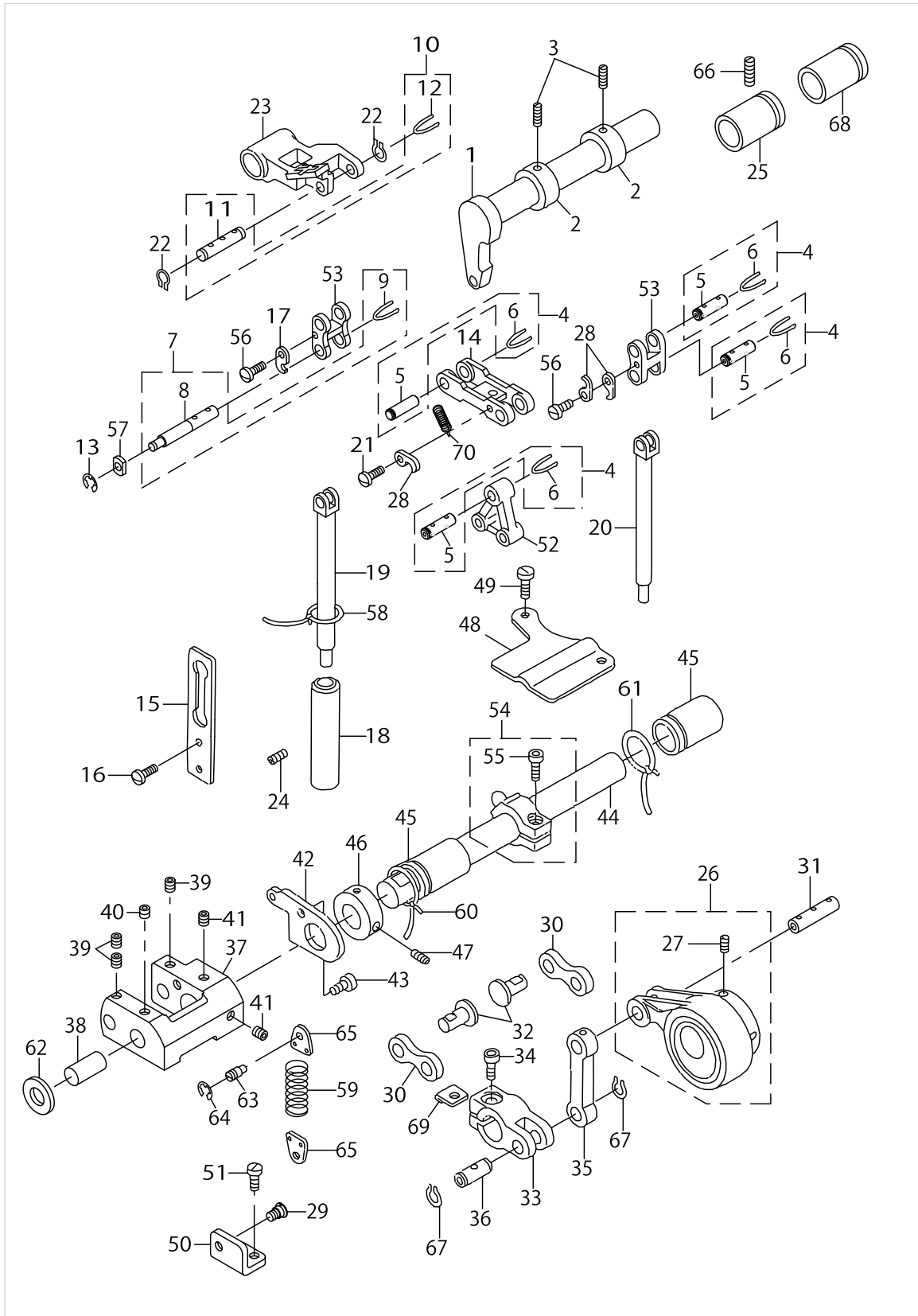
NEEDLE BAR ROCKING COMPONENTS



NEEDLE BAR ROCKING COMPONENTS

No.	Supply Code	Parts No.	Replacement	Parts name	Remarks	Choice	Step	Level	Cons	Qty	Rep. QTY
1		10708105		NEEDLE ROD						1	
2		10708204		NEEDLE BAR THREAD GUIDE						1	
3		SS8080410TP		SCREW 1/8-44 L=3.5					☆	1	
4		10708469		NEEDLE ROD ROCKING BASE SET						1	
5		10708808		THRUST COLLAR						2	
6		SS7111810TP		SCREW11/64-40L=18						2	
7		10708907		ROCKING SHAFT METAL						1	
8		MC321001400		NEEDLE 134-35 #140					☆	1	
9		10709152		NEEDLE ROD ROCKING LINK ASM.						1	
10		SS6152440SP		SCREW 15/64-28 L=23.5				*		1	
11		10709202		NEEDLE ROD LINK PIN						2	
12		RE0600000K0		E-RING 6						4	
13		10709350		FEED ARM ASM.						1	
14		SS6151440SP		SCREW15/64-28L=14				*		1	
15		10709400		NEEDLE ROD ROCKING LINK						1	
16		10708501		ROLLER GUIDE BASE						1	
17		SM6041012TP		SCREW M4X0.7 L=10						2	
18		10709608		ROCKING SHAFT METAL						1	
19		SS8120740SP		SCREW 3/16-28 L=7						1	
20		10733806		SWING STAND FELT, LOWER						1	
21		SM1040801SC		SCREW M4X0.7 L=8						1	
22		WP0450000SD		WASHER 4.5X8X0.5						1	
23		CQ202000000		OIL WICK						.2	
24		CQ202000000		OIL WICK						.2	

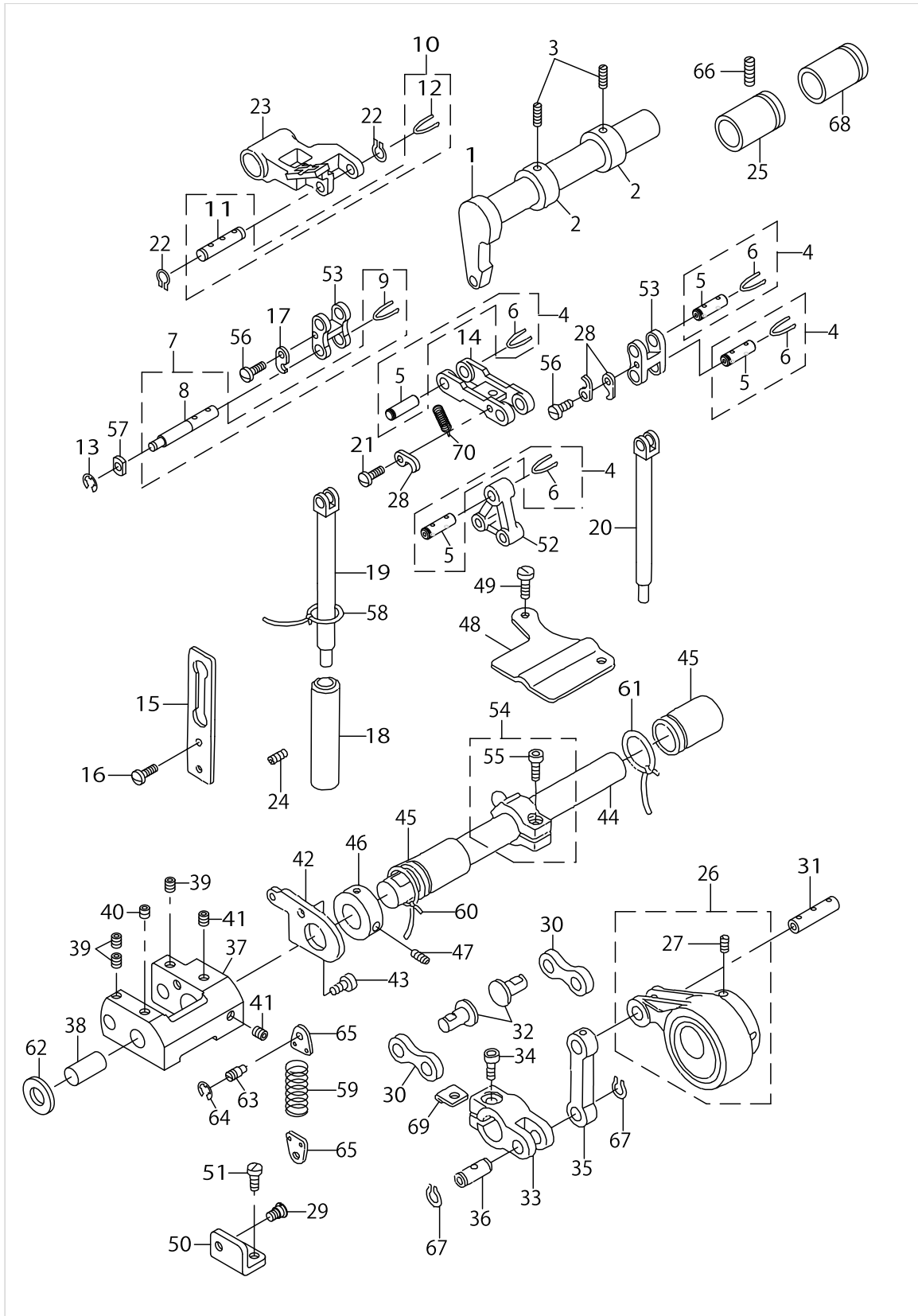
UPPER FEED MECHANISM COMPONENTS



UPPER FEED MECHANISM COMPONENTS

No.	Supply Code	Parts No.	Replacement	Parts name	Remarks	Choice	Step	Level	Cons	Qty	Rep. QTY
1		10709707		UPPER FEED SHAFT						1	
2		CS1501011TH		THRUST COLLAR						2	
3		SS8660410SP		SCREW 1/4-40 L= 4.2						4	
4		40132152		TRIANGLE LEVER SHAFT ASM.						4	
5		40130995		TRIANGLE LEVER SHAFT				*		1	
6		CQ252000000		OIL WICK				*		0.1	
7		40132151		PRESSER ROD GUIDE SHAFT ASM.						1	
8		10710309		PRESSER ROD GUIDE SHAFT				*		1	
9		CQ252000000		OIL WICK				*		0.1	
10		40132153		PRESSER ROD SHAFT ASM.						1	
11		10711000		PRESSER ROD SHAFT				*		1	
12		CQ252000000		OIL WICK				*		0.1	
13		RE0400000K0		E-RING 4						1	
14		40052240		CONNECTION LINK						1	
15		10710408		PRESSER ROD GUIDE						1	
16		SS6121050SP		SCREW 3/16-28 L=9.5						2	
17		10710804		TRIANGLE LEVER S-HAFT STOPPER						1	
18		10710507		PRESSER ROD LOWER METAL						1	
19		10710606		PRESSER ROD						1	
20		10710705		UPPER FEED ROD						1	
21		SS7080510TP		SCREW 1/8-44 L=4.5						1	
22		RC0560711KP		RETAINING RING						2	
23		10711117		PRESSER BAR GUIDE ARM						1	
24		SS8120740SP		SCREW 3/16-28 L=7						1	
25		10709608		ROCKING SHAFT METAL						1	
26		10713766		ECCENTRIC ROD (SET)						1	
27		SS8660810TP		SCREW 1/4-40 L=8				*		2	
28		10710804		TRIANGLE LEVER S-HAFT STOPPER						3	
29		22908909		HINGE SCREW						1	
30		40107949		CONNECTION LINK B						2	
31		10713808		CONNECTION LINK PIN B						1	
32		40052263		CONNECTION LINK B SUPPORT PIN						2	
33		10713907		UPPER FEED CAM						1	
34		SM6061602TP		SCREW M6 L=16						1	
35		10714004		CONNECTION LINK A						1	
36		10714103		CONNECTION LINK PIN A						1	
37		10714202		VERTICAL CHANGE BELT						1	
38		10751303		CHANGE BELT SUPPORT PIN						1	
39		SM8050602TP		SCREW M5 L=6						3	
40		SM8050512TP		SCREW M5 L=5						1	
41		SM8050602TP		SCREW M5 L=6						2	
42		10714400		VERTICAL STOPPER PLATE						1	
43		SM6051002TP		SCREW M5X0.8 L=10						1	
44		10714301		VERTICAL CHANGE BELT SHAFT						1	
45		10708907		ROCKING SHAFT METAL						2	

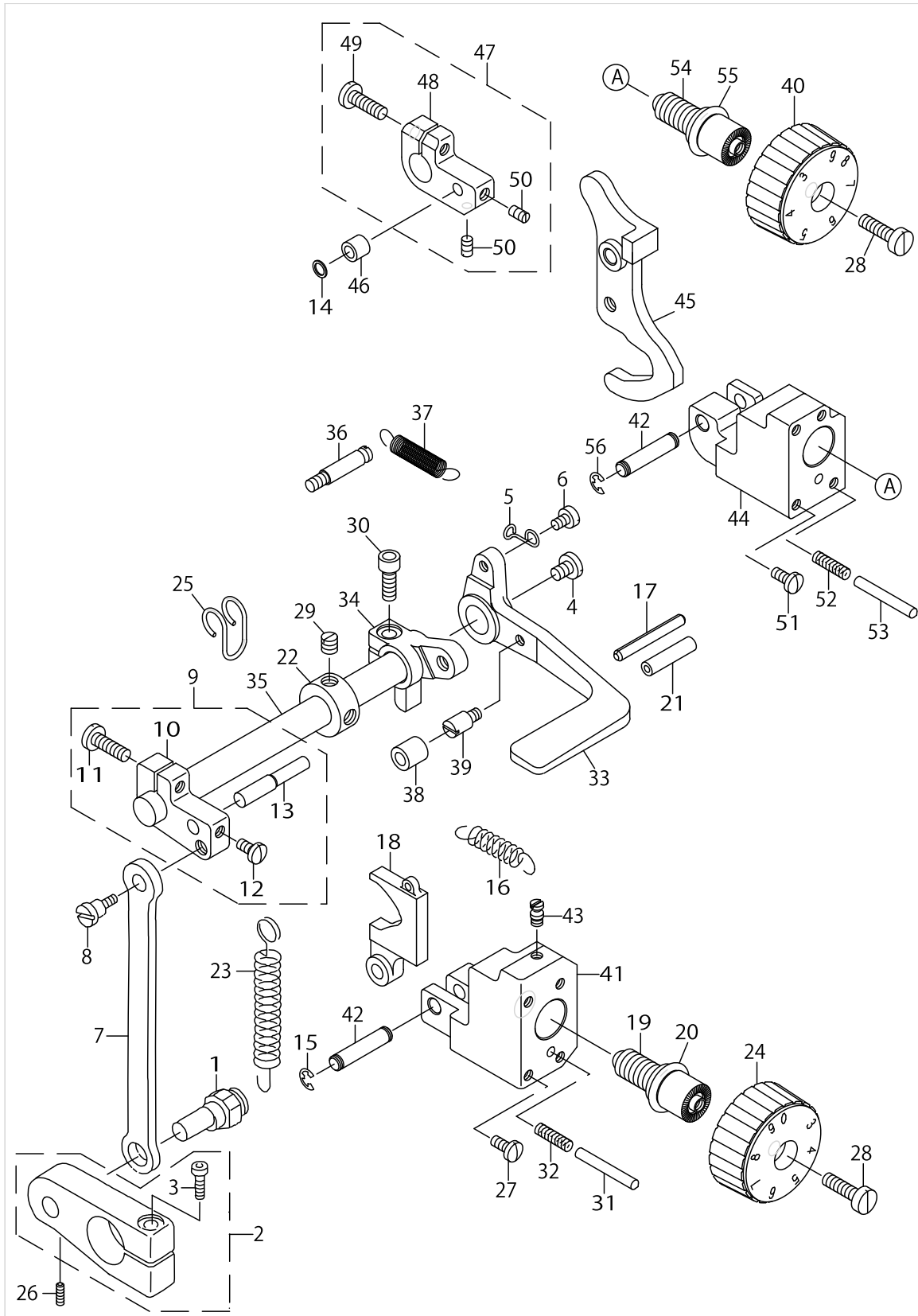
UPPER FEED MECHANISM COMPONENTS



UPPER FEED MECHANISM COMPONENTS

No.	Supply Code	Parts No.	Replacement	Parts name	Remarks	Choice	Step	Level	Cons	Qty	Rep. QTY
46		GS1501011TH		THRUST COLLAR						1	
47		SS8660410SP		SCREW 1/4-40 L= 4.2						2	
48		10714806		VERTICAL STOPPER PLATE						1	
49		SS6121010SP		SCREW 3/16-28 L=10						2	
50		10714905		VERTICAL SHAFT SPRING RACK						1	
51		SS7120710SP		SCREW 3/16-28 L=7						1	
52		10710002		TRIANGLE LEVER						1	
53		10710101		ROCKING LINK						2	
54		10715258		VERTICAL ADJUSTING ARM ASM.						1	
55		SM6051402TP		SCREW M5X0.8 L=14				*		1	
56		SS7080510TP		SCREW 1/8-44 L=4.5						2	
57		10710200		PRESSER ROD SQUARE BLOCK						1	
58		CQ202000000		OIL WICK						.2	
59		10716504		VERTICAL SHAFT SPRING						1	
60		CQ202000000		OIL WICK						.3	
61		CQ202000000		OIL WICK						.3	
62		10109809		THRUST WASHER, B						1	
63		B3416552000		CONNECTING ROD HINGE SCREW						1	
64		RE0500000K0		E-RING						1	
65		10713501		SPRING HOOK						2	
66		SS8120740SP		SCREW 3/16-28 L=7						1	
67		RC0740811KP		C-RING						2	
68		10708907		ROCKING SHAFT METAL						1	
69		10710903		SPACER A						1	
70		10739506		GUIDE SPRING						1	

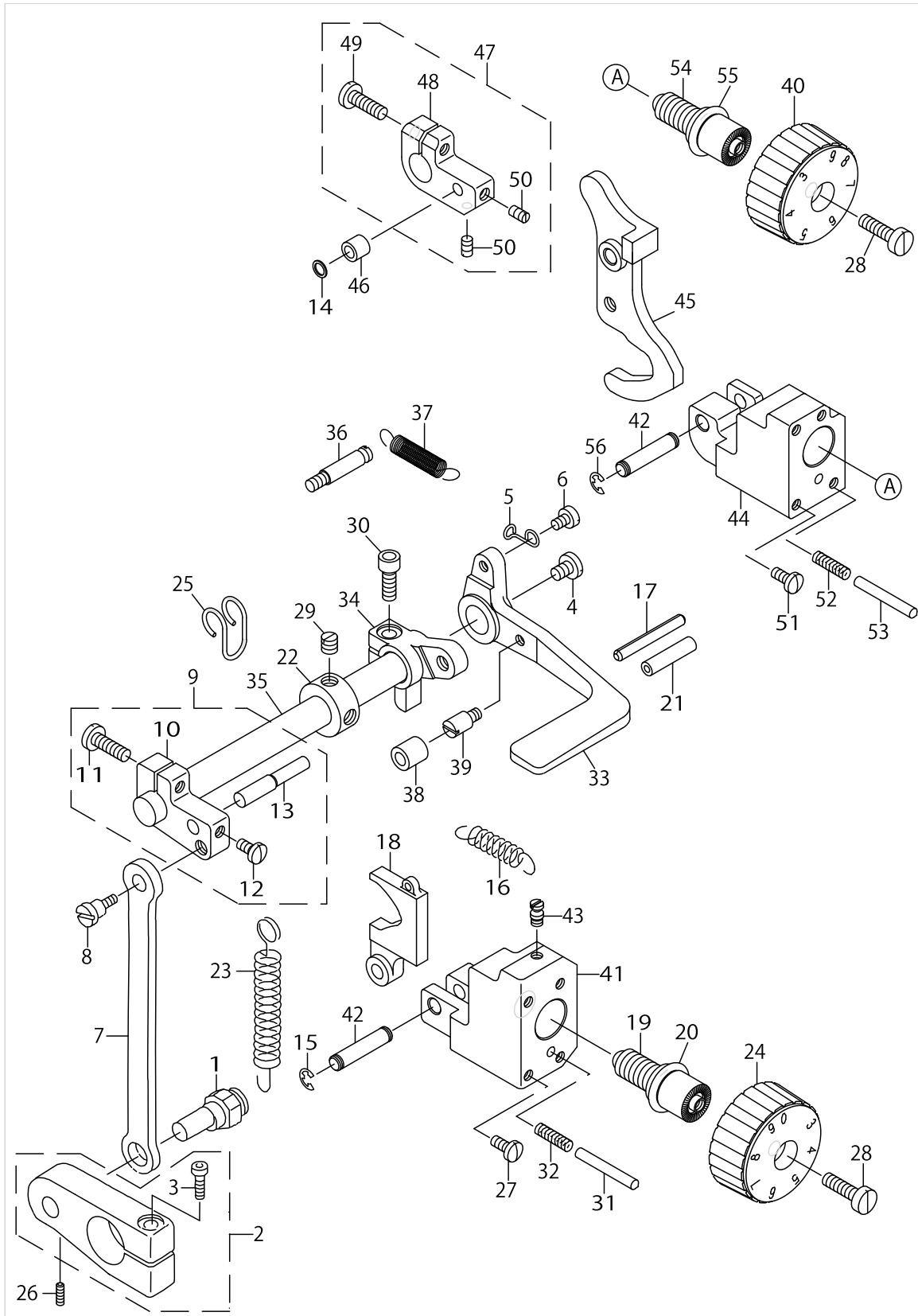
FEED ADJUSTMENT & REVERSE FEED MECHANISM COMPONENTS



FEED ADJUSTMENT & REVERSE FEED MECHANISM COMPONENTS

No.	Supply Code	Parts No.	Replacement	Parts name	Remarks	Choice	Step	Level	Cons	Qty	Rep. QTY
1		40052255		FEED ADJUSTING ECCENTRIC PIN						1	
2		10720357		ADJUSTING CHANGE ARM ASM.						1	
3		SM6062502TP		SCREW M6 L=25				*		1	
4		SS7620750SP		SCREW 3/16-32 L=6.5						1	
5		40058144		SPRING_HOOK						1	
6		SS6110610TP		SCREW 11/64-40 L=6						1	
7		10720407		ADJUSTING CONNECTION RING						1	
8		10725307		ADJUSTING CONNE- CTION RING PIN						1	
9		40027219		FEED ADJUSTING P- IN HOLDER ASM.						1	
10		10720506		ADJUSTING ARM				*		1	
11		SS7121610SP		SCREW 3/16-28 L=15.5				*		1	
12		SS7110810SP		SCREW 11/64-40 L= 8.0				*		1	
13		40025557		FEED ADJUSTING PIN (A)				*		1	
14		40035542		ROLLER SPACER						1	
15		RE0400000K0		E-RING 4						2	
16		10721306		CHANGE SPRING						1	
17		PS0400322KP		SPRING PIN 4.0X32						1	
18		10720605		ADJUSTING BELT						1	
19		10721009		ADJUSTING DIAL SCREW					☆	1	
20		RO118240100		O-RING					☆	1	
21		BT0600402EA		OIL TUBE						.1	
22		GS1201011SH		THRUST COLLAR D=12 W=10						1	
23		10722007		PULLING SPRING						1	
24		10744308		ADJUSTMENT DIAL					☆	1	
25		10733509		SPRING RACK HOOK						1	
26		SM8060602TP		SCREW M6X6						1	
27		SS7110910TP		SCREW 11/64-40 L= 8.5						4	
28		SS6121860SP		SCREW 3/16-28 L=18						2	
29		SS8660610TP		SCREW 1/4-40 L=6						2	
30		SM6051402TP		SCREW M5X0.8 L=14						1	
31		10718401		DIAL PIN						1	
32		B1148141H00		SPRING						1	
33		40052874		BACKWARD FEED LEVER						1	
34	R	40058054	40061246	BACKWARD_FEED_C- ONNECTING_ARM						1	1.00
35		10721900		BACKWARD FEED LEVER SHAFT						1	
36		13755202		SUSPENSION SCREW						1	
37		40058145		RETURN_SPRING						1	
38		10119907		CUSHION						1	
39		B1114280000		PIN						1	
40		40027231		FEED DIAL(A) ASM.					☆	1	
41		40052241		FEED ADJUSTING BASE A						1	
42		22949101		ROLLER FULCRUM SHAFT						2	
43		26017400		SPRING RAC						1	
44		40052242		FEED ADJUSTING BASE B						1	
45		40025556		FEED ADJUSTING (A)						1	

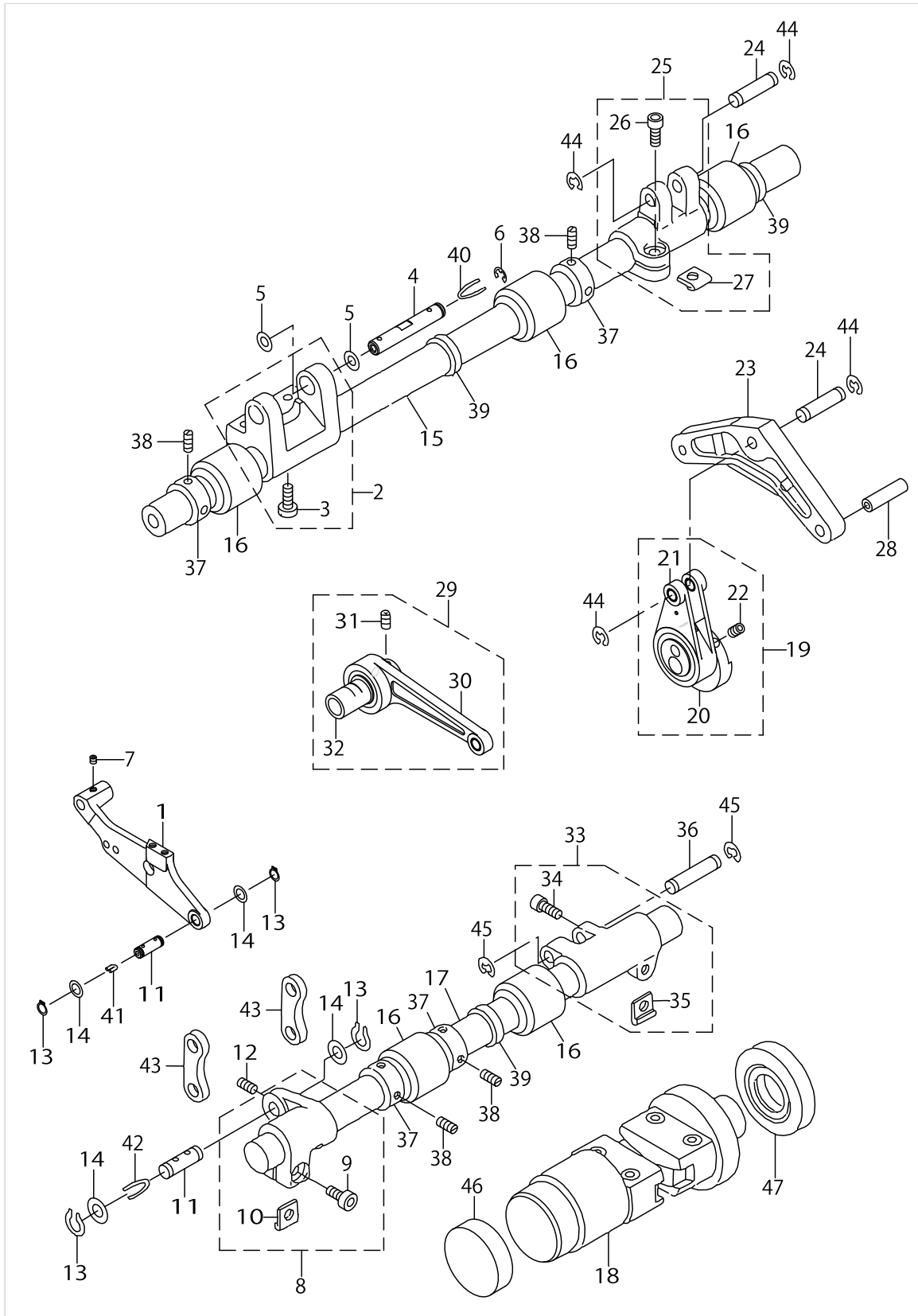
FEED ADJUSTMENT & REVERSE FEED MECHANISM COMPONENTS



FEED ADJUSTMENT & REVERSE FEED MECHANISM COMPONENTS

No.	Supply Code	Parts No.	Replacement	Parts name	Remarks	Choice	Step	Level	Cons	Qty	Rep. QTY
46		13737804		DRIVING ARM BOSS ROLLER						1	
47		40067341		FEED ADJUSTING P-IN HOLDER ASM.						1	
48		40052252		FEED ADJUSTING PIN HOLDER				*		1	
49		SS7121610SP		SCREW 3/16-28 L=15.5				*		1	
50		SS8090710SP		SCREW 9/64-40 L=7.0				*		2	
51		SS7110910TP		SCREW 11/64-40 L= 8.5						4	
52		B1148141H00		SPRING						1	
53		10718401		DIAL PIN						1	
54		10721009		ADJUSTING DIAL SCREW					☆	1	
55		RO118240100		O-RING					☆	1	
56		RE0400000K0		E-RING 4						2	

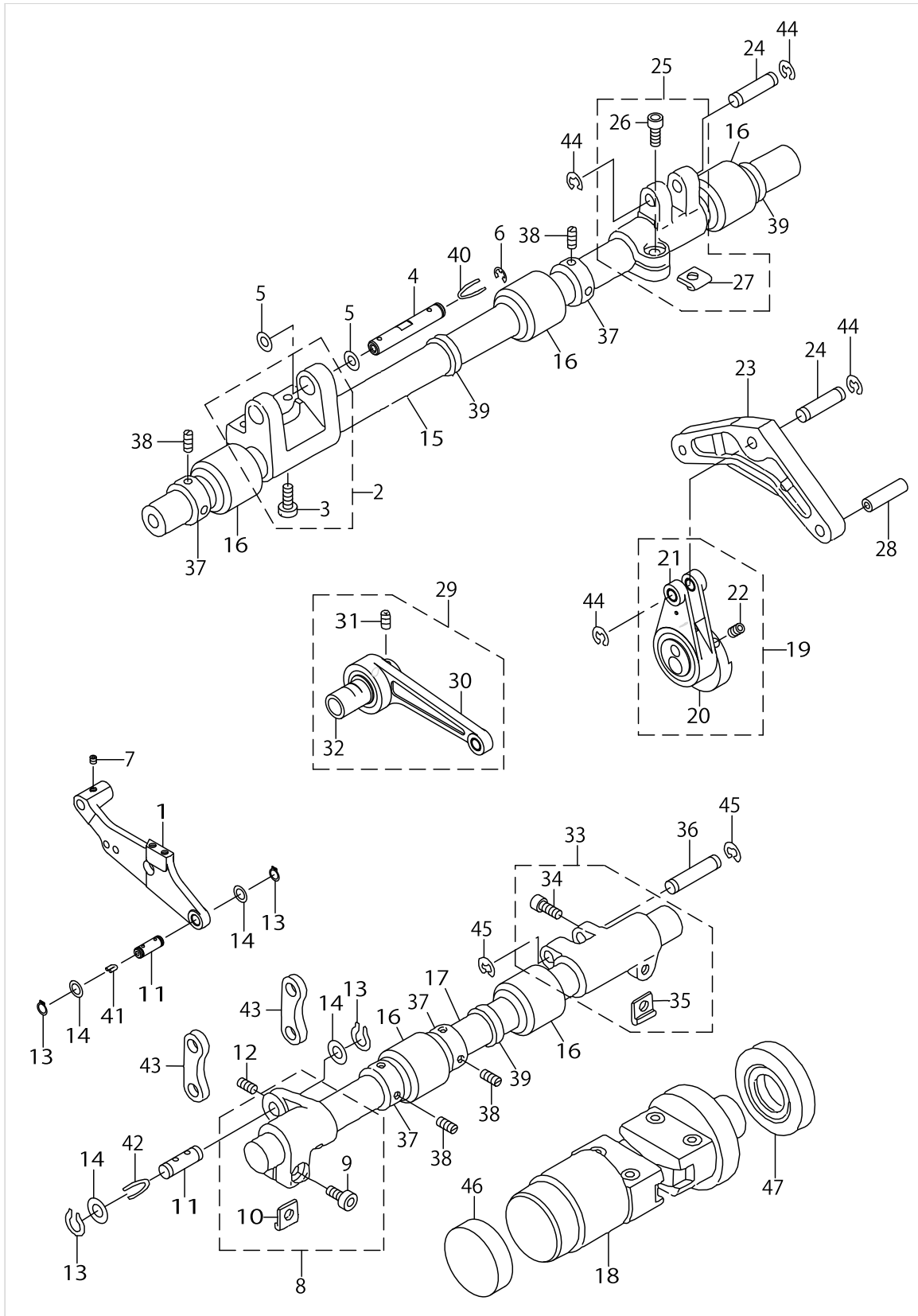
LOWER FEED MECHANISM COMPONENTS



LOWER FEED MECHANISM COMPONENTS

No.	Supply Code	Parts No.	Replacement	Parts name	Remarks	Choice	Step	Level	Cons	Qty	Rep. QTY
1		40058052		FEED_BASE						1	
2		10717668		FEEDBASE ARM ASM.						1	
3		SM6061650TP		SCREW				*		2	
4		40052258		FEED BASE SHAFT						1	
5		10746709		WASHER						2	
6		RE0500000K0		E-RING						1	
7		SS8110422TP		SCREW 11/64-40 L=4						1	
8		10718658		VERTICAL FEED ARM ASM.						1	
9		SS6151412TP		SCREW 15/64-28 L=14				*		1	
10		10710903		SPACER A				*		1	
11		10718906		VERTICAL FEED LINK SHAFT						2	
12		SM8030402TP		SCREW M3X0.5 L=4						1	
13		RC0650811KP		RETAINING RING						4	
14		WP0740516SP		WASHER 7.4X11.8X0.5						4	
15	D	10717908		HORIZONTAL FEED SHAFT						1	
16		10718203		FEED SHAFT FRONT METAL						5	
17		40058153		VERTICAL_FEED_SHAFT						1	
18		10719052		FEED CHANGE BELT ASM.						1	
19		10719664		HORIZONTAL FEED ROD						1	
20		10719201		HORIZONTAL FEED CAM				*		1	
21	D	10719656		HORIZONTAL FEED ROD ASM.				*		1	
22		SS8661012TP		SCREW				*		2	
23		10719300		BELL CRANK						1	
24		10718005		FEED ARM SHAFT						2	
25		10718153		FEED SHAFT ARM ASM.						1	
26	R	SM6061552TP	SM6061552SP	SCREW M6 L=15				*		1	1.00
27		10710903		SPACER A				*		1	
28		10719508		ADJUSTING BLOCK SHAFT						1	
29		10719961		VERTICAL FEED ROD ASM.						1	
30	R	10719953	10719961	VERTICAL FEED ROD COMPL.				*		1	1.00
31		SM8060552TP		SCREW M6 L=5				*		2	
32	R	10720001	10719961	VERTICAL FEED CAM				*		1	1.00
33		10718153		FEED SHAFT ARM ASM.						1	
34	R	SM6061552TP	SM6061552SP	SCREW M6 L=15				*		1	1.00
35		10710903		SPACER A				*		1	
36		10718005		FEED ARM SHAFT						1	
37		CS1501011TH		THRUST COLLAR						4	
38		SS8660410SP		SCREW 1/4-40 L= 4.2						8	
39		13707500		OIL SEAL						3	
40		CQ202000000		OIL WICK						.1	
41		CQ202000000		OIL WICK						.1	
42		CQ202000000		OIL WICK						.1	
43		10718500		VERTICAL LINK						2	
44		RE0500000K0		E-RING						4	
45		RE0500000K0		E-RING						2	
46		10719706		CHANGE BELT OIL SEAL A						1	

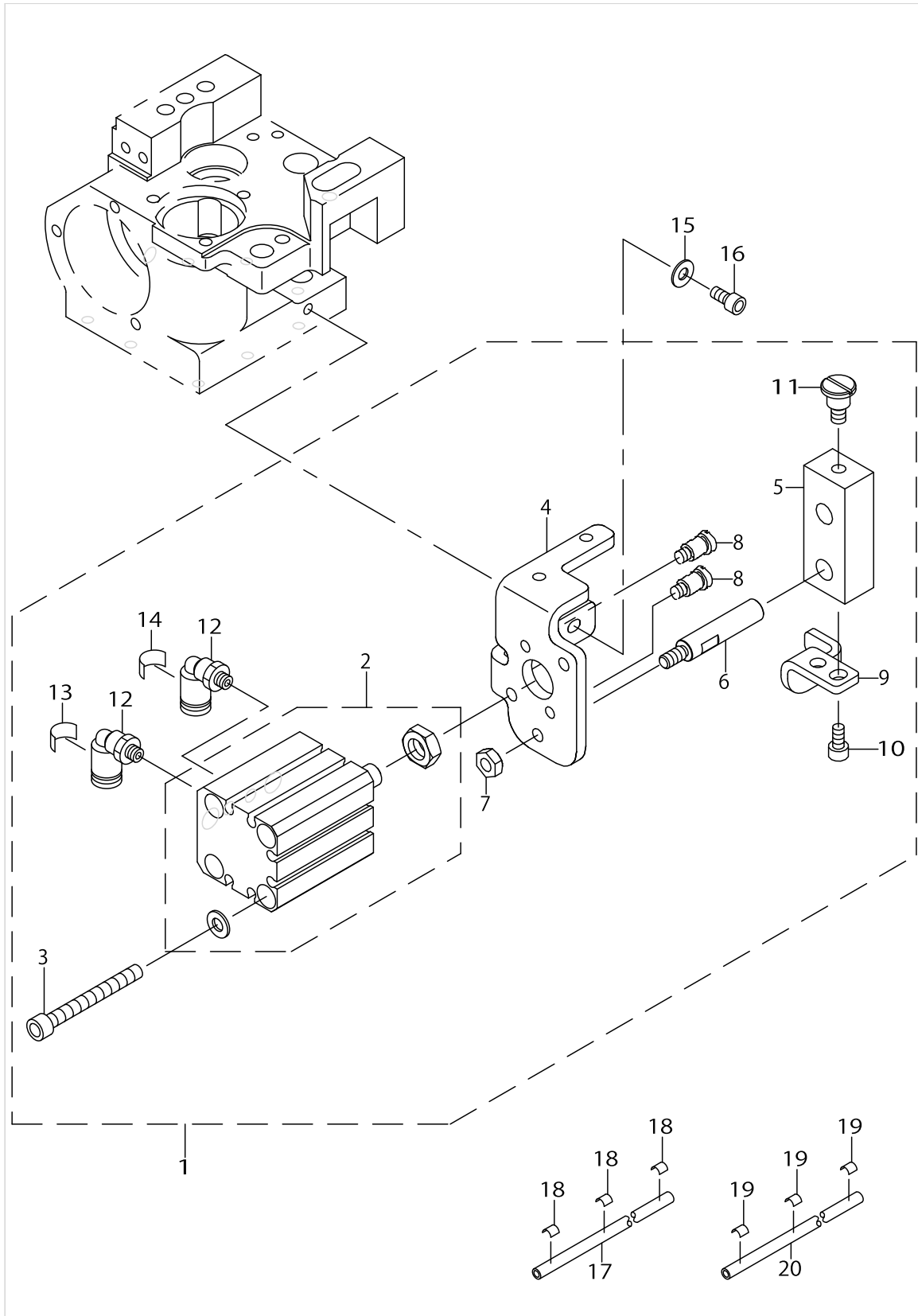
LOWER FEED MECHANISM COMPONENTS



LOWER FEED MECHANISM COMPONENTS

No.	Supply Code	Parts No.	Replacement	Parts name	Remarks	Choice	Step	Level	Cons	Qty	Rep. QTY
47		10719805		CHANGE BELT OIL SEAL B						1	

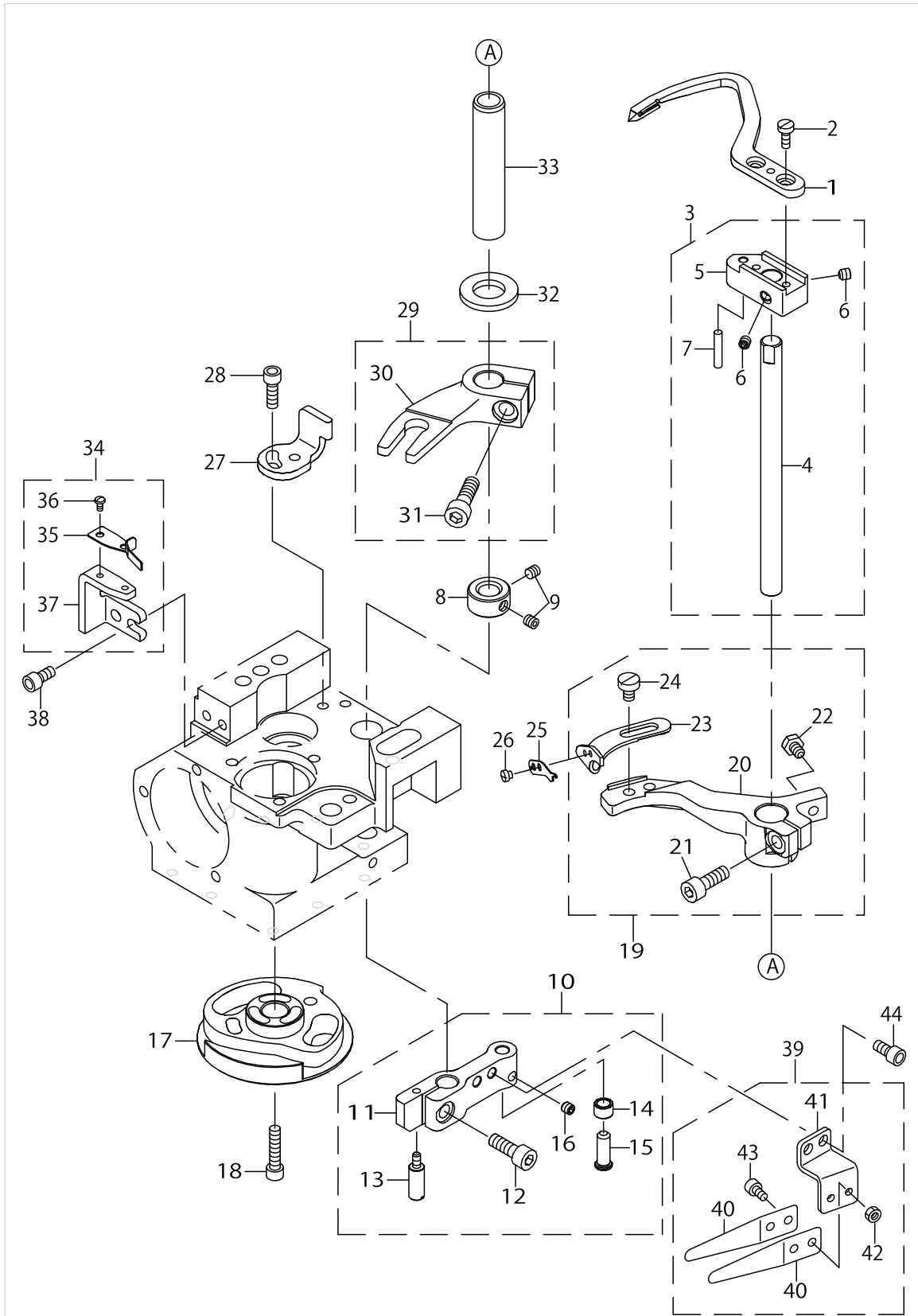
THREAD TRIMMER COMPONENTS (1)



THREAD TRIMMER COMPONENTS (1)

No.	Supply Code	Parts No.	Replacement	Parts name	Remarks	Choice	Step	Level	Cons	Qty	Rep. QTY
1		40083924		AIR_CYLINDER_ASM.						1	
2		PA2001508A0		AIR CYLINDER				*		1	
3		SM6054502TP		SCREW M5X0.8 L=45				*		2	
4		40083925		CYLINDER_PLATE				*		1	
5		40058040		CYLINDER_JOINT				*		1	
6		40058134		JOINT_GUIDE_SHAFT				*		1	
7		NM6050001SP		NUT M5				*		1	
8		SD0640752TP		HINGE SCREW D= 6.35 H= 7.5				*		2	
9		40058062		RETURN_PLATE				*		1	
10		SM6050802TP		SCREW M5X0.8 L=8				*		2	
11		SD0800616TP		SHOULDER SCREW D=8 H=6.1				*		1	
12		PJ304040504		ELBOW UNION				*		2	
13		HX00295000B		WIRE MARK(3)				*		1	
14		HX00295000C		WIRE MARK(4)				*		1	
15		WP0450801SD		WASHER 4.5X10X0.8						3	
16		SM6040802TP		SCREW M4X0.7 L=8						3	
17		BT0400251EB		URETHANE HOSE, BLACK						1.8	
18		HX00295000B		WIRE MARK(3)						3	
19		HX00295000C		WIRE MARK(4)						3	
20		BT0400251EB		URETHANE HOSE, BLACK						1.8	

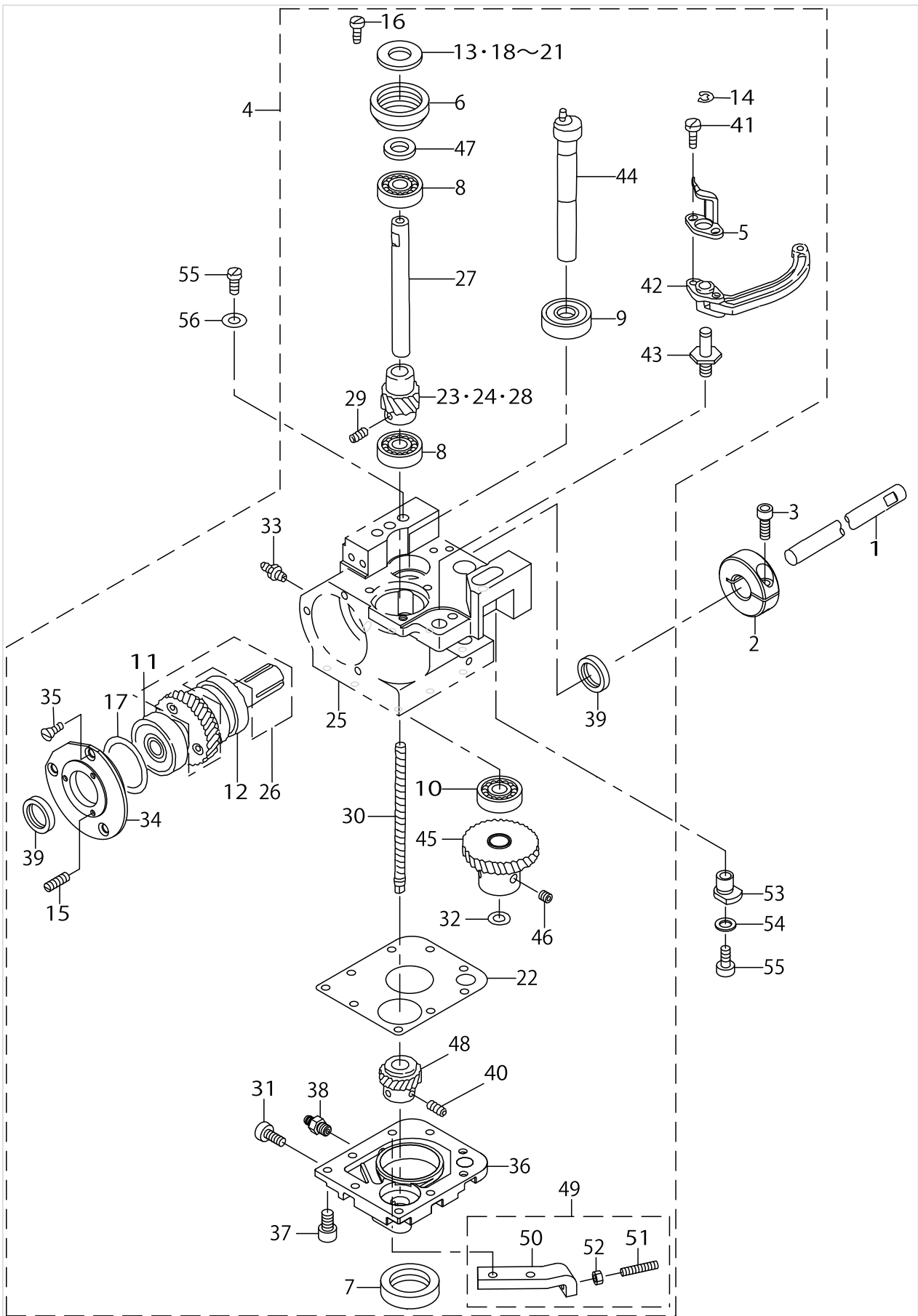
THREAD TRIMMER COMPONENTS (2)



THREAD TRIMMER COMPONENTS (2)

No.	Supply Code	Parts No.	Replacement	Parts name	Remarks	Choice	Step	Level	Cons	Qty	Rep. QTY
1		40083922		MOVING_KNIFE					☆	1	
2		SM6030800SP		SCREW M3X0.5 L=8						2	
3		40058058		MOVING_KNIFE_SHAFT_ASM.						1	
4		40058135		MOVING_KNIFE_SHAFT				*		1	
5		40058041		MOVING_KNIFE_BASE				*		1	
6		SM8040412TP		SET SCREW M4 L=4				*		2	
7		40038691		HOOK COVER HINGE SHAFT				*		1	
8		CS0800816SH		THRUST HOLDER D=8 W=8						1	
9		SS8110422TP		SCREW 11/64-40 L=4						2	
10		40058149		MOVING_KNIFE_DRIVING_ARM_ASM.						1	
11		40083929		MOVING_KNIFE_DRIVING_ARM				*		1	
12		SM6051402TP		SCREW M5X0.8 L=14				*		1	
13		40058148		RETURN_PIN				*		1	
14		21440508		THREAD TRIMMER CAM ROLLER				*		1	
15		21439500		CAM ROLLER SHAFT				*		1	
16		SM8040412TP		SET SCREW M4 L=4				*		1	
17		40083931		THREAD_TRIMMER_CAM						1	
18		SM6041802TP		SCREW M4 L=18						3	
19		40058150		FIXED_KNIFE_BASE_ASM.						1	
20		40058045		FIXED_KNIFE_BASE				*		1	
21		SM6051402TP		SCREW M5X0.8 L=14				*		1	
22		SM9040653SP		SCREW M4 L=6				*		1	
23		40058046		FIXED_KNIFE				*	☆	1	
24		SS6110610TP		SCREW 11/64-40 L=6				*		2	
25		40083930		THREAD_GUIDE					☆	1	
26		SS6060220SP		SCREW 3/32-56 L=2.0						2	
27		40083932		BASE_STOPPER						1	
28		SM6041202TP		SCREW M4X0.7 L=12						2	
29		40059049		FIXED_KNIFE_DRIVING_ARM_ASM.						1	
30		40058048		FIXED_KNIFE_DRIVING_ARM				*		1	
31		SM6062002TP		SCREW M6 L=20				*		1	
32		40058059		WASHER_A						1	
33		40058136		FIXED_KNIFE_SHAFT						1	
34		40058151		CLAMP_SPRING_BASE_ASM.						1	
35		40083923		CLAMP_SPRING				*	☆	1	
36		SS5060410SP		SCREW 3/32-56 L=3.5				*	☆	2	
37		40058044		CLAMP_SPRING_BASE				*		1	
38		SM6040802TP		SCREW M4X0.7 L=8						2	
39		40080546		SPRING_PLATE_ASM.						1	
40		40080547		SPRING_PLATE				*	☆	2	
41		40080548		SPRING_PLATE_BASE				*		1	
42		NM6030001SN		NUT				*		2	
43		SM6030602TP		SCREW M3X0.5 L=6				*		2	
44		SM6040802TP		SCREW M4X0.7 L=8						2	

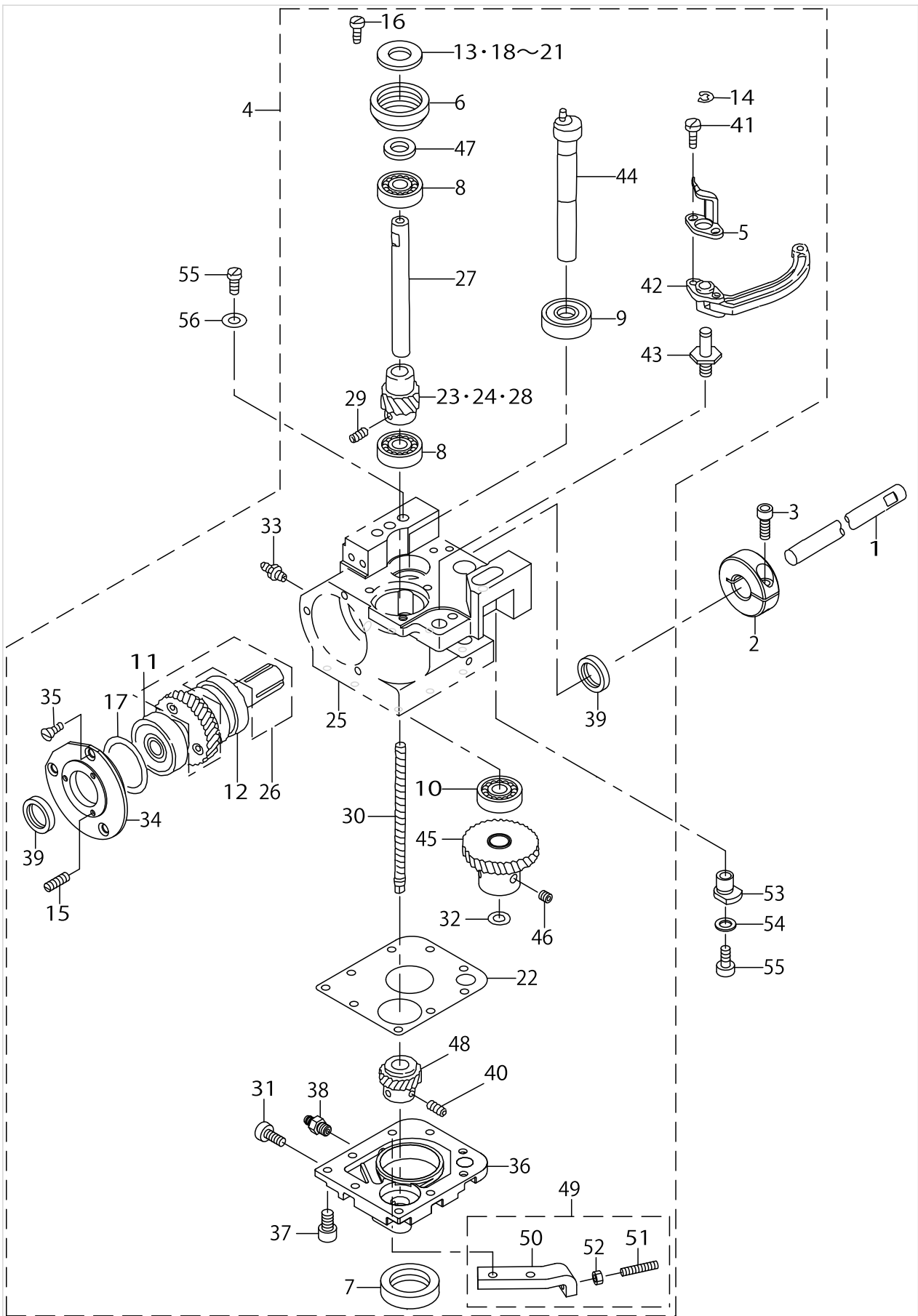
HOOK SHAFT BASE COMPONENTS



HOOK SHAFT BASE COMPONENTS

No.	Supply Code	Parts No.	Replacement	Parts name	Remarks	Choice	Step	Level	Cons	Qty	Rep. QTY
1		10722403		LOWER SHAFT B						1	
2		40052253		SET COLLAR						1	
3		SM6051402TP		SCREW M5X0.8 L=14						1	
4		40059035		HOOK_SHAFT_BASE_RIGHT_ASM.						1	
5	R	10725000	40033293	OPENER				*	☆	1	1.00
6		10755601		BEARING COLLAR				*		1	
7		10726107		OIL SEAL				*		1	
8	R	B1215804000	13108808	BALL BEARING D				*		2	1.00
9		SB110000900		BEARING				*		1	
10		SB110001000		BEARING				*		1	
11		SB115000400		RADIAL BEARING				*		1	
12		SB115000900		BEARING				*		2	
13		10111201		THRUST WASHER, F	SELECTIVE PARTS			*		1	
14		RE0400000K0		E-RING 4				*		1	
15		SS8080610SP		SCREW 1/8-44 L=5.5				*		3	
16		SS6111140SP		SCREW 11/64-40L=11				*		3	
17		RO357350100		O-RING				*		1	
18		10112605		THRUST WASHER 1.7	SELECTIVE PARTS			*		1	
19		10112704		THRUST WASHER 1.8	SELECTIVE PARTS			*		1	
20		10109809		THRUST WASHER, B	SELECTIVE PARTS			*		1	
21		10112506		THRUST WASHER 1.6	SELECTIVE PARTS			*		1	
22		10770402		HOOK SHAFT BOTTOM PACKING				*		1	
23		10739308		HOOK SHAFT SCREW GEAR	SELECTIVE PARTS			*		1	
24		10739407		HOOK SHAFT SCREW GEAR	SELECTIVE PARTS			*		1	
25		40058142		HOOK_SHAFT_BASE				*		1	
26		10722353		LOWERSHAFTAASM.				*		1	
27		10723708		HOOK SHAFT				*		1	
28		10723807		SCREW GEAR	SELECTIVE PARTS			*		1	
29		SM8050502TP		SCREW M5 L=5				*		2	
30		10723906		LUBRICATING SHAFT				*		1	
31		SM4030601SC		SCREW M3 X 6				*		1	
32		RO098240100		RUBBER RING				*		1	
33		SQ1150451MZ		CONNECTINGSCREW				*		1	
34		10724201		BEARING HOLDER				*		1	
35		SS1110840SP		SCREW 11/64-40 L=8				*		3	
36		40083928		HOOK_SHAFT_LOWER_PLATE				*		1	
37		SM6041002TP		SCREW M4 L=10				*		9	
38		SQ1150501SD		CONNECTINGSCREW				*		1	
39		10724805		OIL SEAL				*		2	
40		SM8050502TP		SCREW M5 L=5				*		2	
41		SS6080610TP		SCREW 1/8-44 L=6				*		2	
42		10725158		OPENER ARM COMPL.				*		1	
43		10770501		OPNER ARM SHAFT B				*		1	
44		10725604		OPENER SHAFT				*		1	
45		40063991		OPENER_SHAFT_SCREW_GEAR				*		1	
46		SM8050502TP		SCREW M5 L=5				*		2	

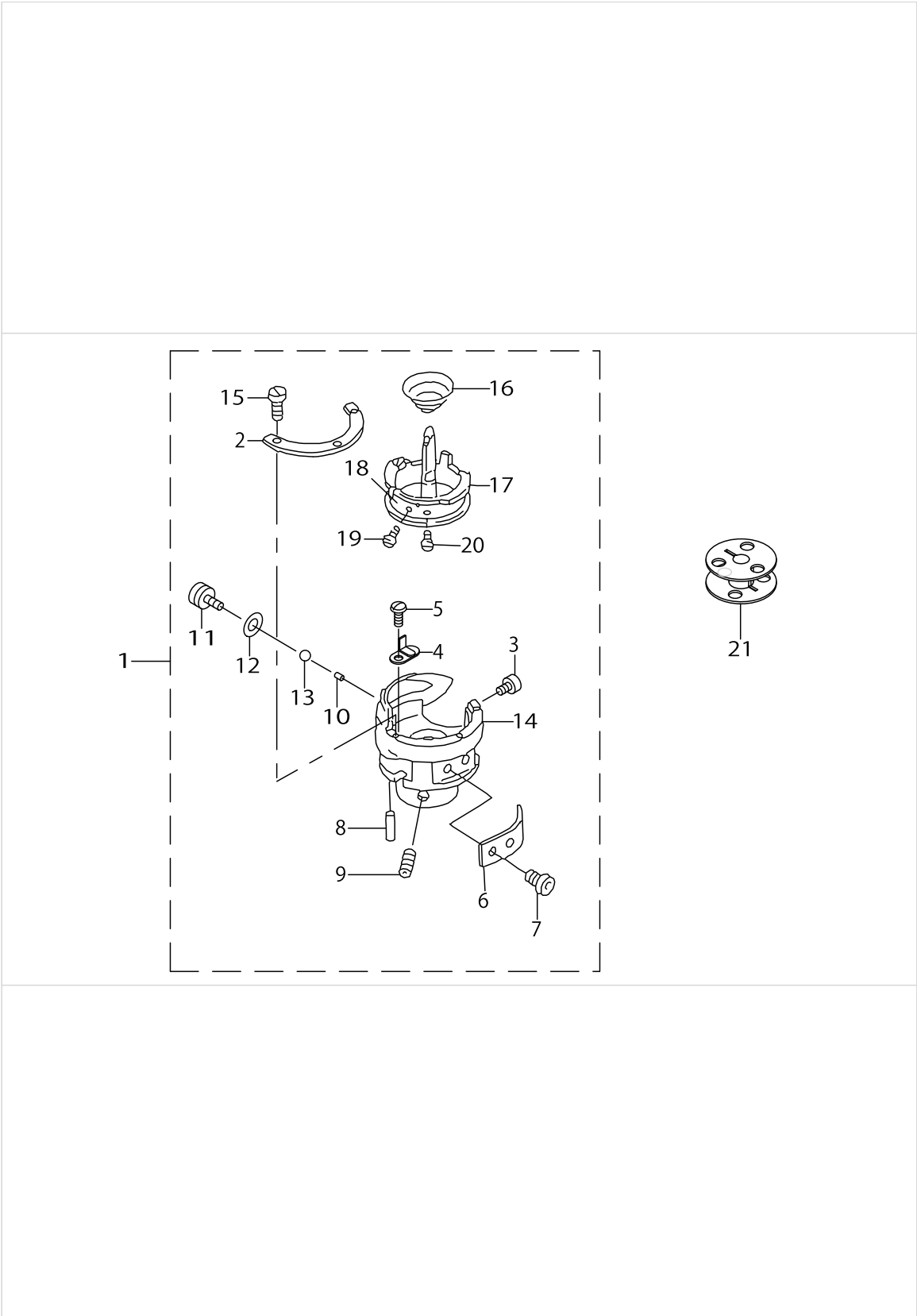
HOOK SHAFT BASE COMPONENTS



HOOK SHAFT BASE COMPONENTS

No.	Supply Code	Parts No.	Replacement	Parts name	Remarks	Choice	Step	Level	Cons	Qty	Rep. QTY
47		10724706		BEARING SPACER				*		1	
48		40063992		HOOK_SHAFT_SCREW_GEAR				*		1	
49		40083926		DRIVING_ARM_STOPPER_ASM.				*		1	
50		40083927		STOPPER_PLATE				*		1	
51		SM8042012TP		SETSCREW				*		1	
52		NM6040001SD		NUT M4				*		1	
53		40052244		HOOK SHAFT BASE ECCENTRIC PIN						1	
54		WP0651056SH		WASHER 6.5X11X1						1	
55		SM6062002TP		SCREW M6 L=20						2	
56		WP0621016SH		WASHER						1	

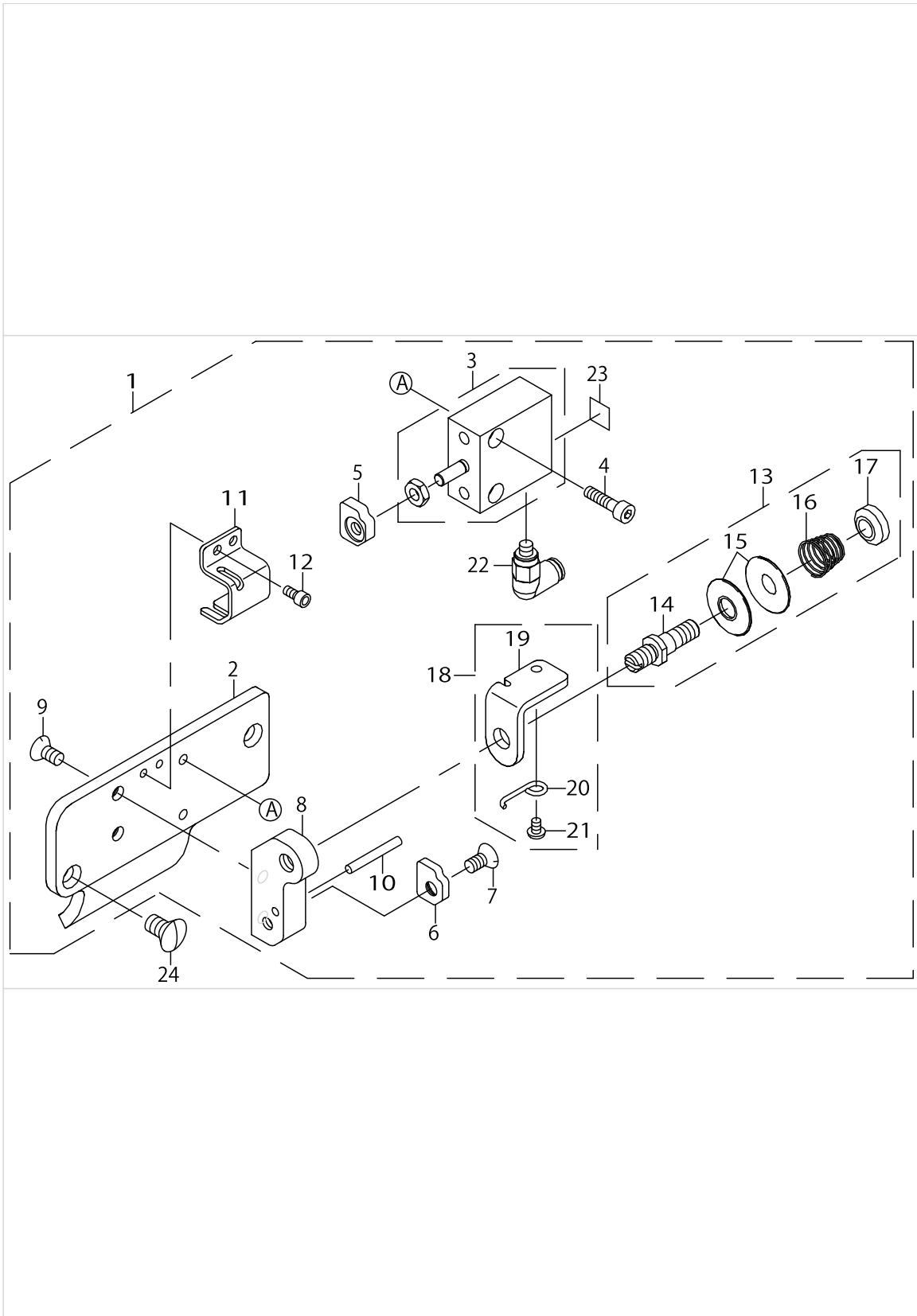
HOOK COMPONENTS



HOOK COMPONENTS

No.	Supply Code	Parts No.	Replacement	Parts name	Remarks	Choice	Step	Level	Cons	Qty	Rep. QTY
1		40075390		HOOK_ASM.					☆	1	
2		40075530		INNER_HOOK_PRESSER				*	☆	1	
3		40075539		NEEDLE HOLDER A- DJJUSTING_SCREW				*		1	
4		40075548		OIL_COVER				*		1	
5		40075547		OIL_COVER_SETSCREW				*		1	
6		40075529		NEEDLE HOLDER				*	☆	1	
7		40075538		NEEDLE HOLDER_SETSCREW				*		2	
8		40075546		FELT				*		1	
9		40075542		OUTER_HOOK_SETSCREW				*		2	
10		40075550		FELT				*		1	
11		40075543		ADJUSTING_SCREW				*		1	
12		40075544		RUBBER_RING				*	☆	1	
13		40075545		URETHAN BALL				*	☆	1	
14		40075527		OUTER_HOOK				*	☆	1	
15		40075537		PRESSER_SETSCREW				*		3	
16		40075549		IDLING_PREVENTION_SPRING				*	☆	1	
17		40075528		INNER_HOOK				*	☆	1	
18		40075531		TENSION_SPRING				*		1	
19		40075532		ADJUSTING_SCREW				*		1	
20		40075533		TENSION_SPRING_SETSCREW				*		1	
21		10759603		ALUMINUM BOBBIN (DOUBLE-CUT)					☆	1	

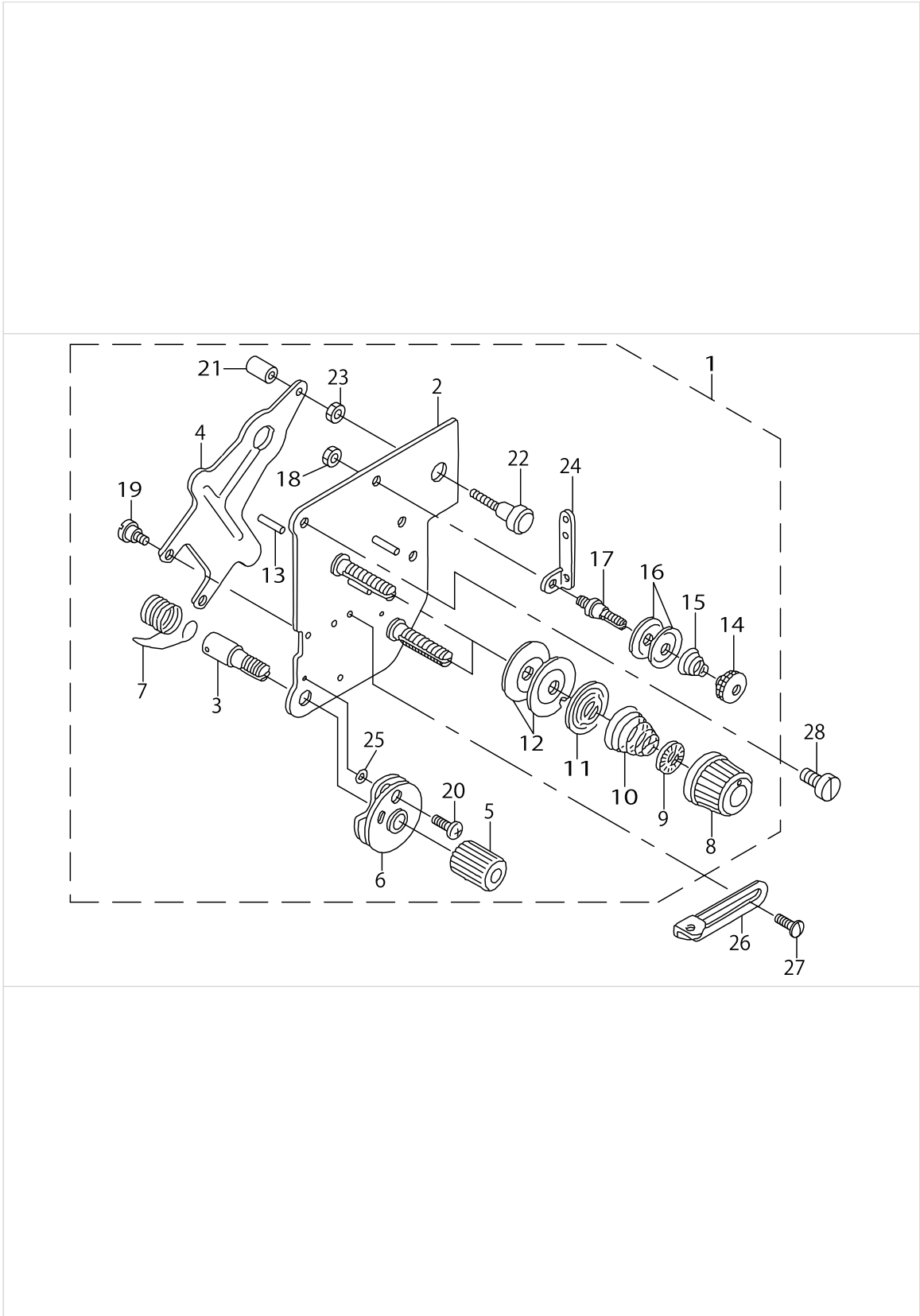
NEEDLE THREAD CLAMP MECHANISM COMPONENTS



NEEDLE THREAD CLAMP MECHANISM COMPONENTS

No.	Supply Code	Parts No.	Replacement	Parts name	Remarks	Choice	Step	Level	Cons	Qty	Rep. QTY
1		40062425		ASSY_THREAD_CATCHER						1	
2		40058066		THREAD_CATCHER_PLATE				*		1	
3		PA0800401A0		AIR CYLINDER				*		1	
4		SM6851002TP		SCREW M2.5 L=10				*		2	
5		40058067		THREAD_PRESSER				*		1	
6		40058068		THREAD HOLDER				*		1	
7		SM1030601SC		SCREW M3 L=6				*		1	
8		40058069		THREAD HOLDER_BASE				*		1	
9		SM1030601SC		SCREW M3 L=6				*		2	
10		22683403		NEEDLE BAR CONNECTION PIN				*		1	
11		40058065		THREAD_CATCHER_COVER				*		1	
12		SM6020452TP		HEXAGONAL HOLE BOLT				*		2	
13		40062426		THREAD_TENSION_ASM.				*		1	
14		40062427		TENSION_POST				*		1	
15		12939708		TENSION DISC				*		2	
16		12939807		TENSION SPRING				*	☆	1	
17		12939906		TENSION NUT				*	☆	1	
18		40062438		THREAD_GUIDE_ASM.				*		1	
19		40062428		THREAD_GUIDE				*		1	
20		40062429		THREAD_GUIDE_SPRING				*	☆	1	
21		SS5060310SP		SCREW 3/32-56 L=2.8				*		1	
22		PJ304020302		ELBOW				*		1	
23		HX00295000D		WIRE MARK(5)				*		1	
24		SS2090710TP		SCREW 9/64-40 L=7.2				*		2	

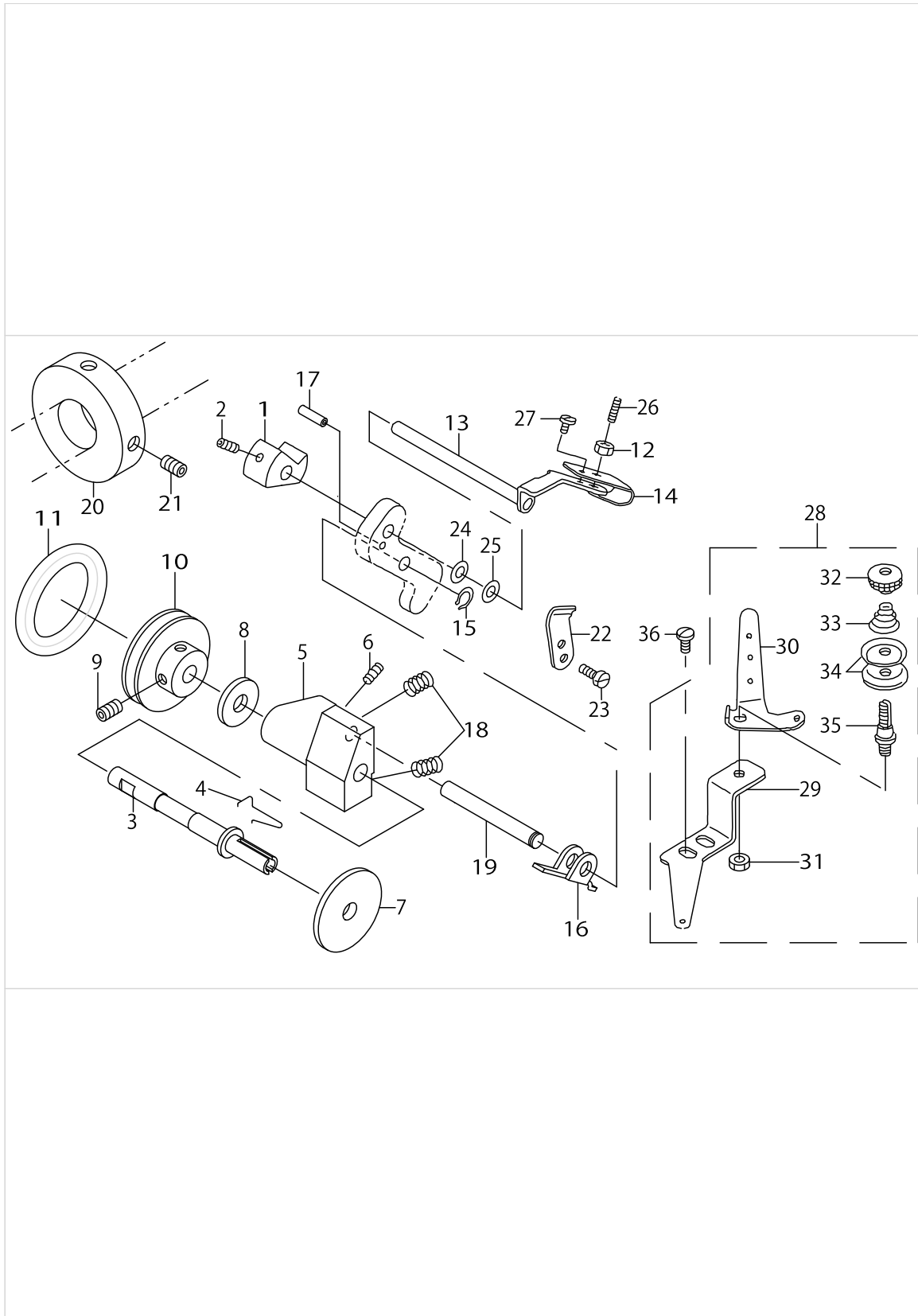
THREAD TENSION COMPONENTS



THREAD TENSION COMPONENTS

No.	Supply Code	Parts No.	Replacement	Parts name	Remarks	Choice	Step	Level	Cons	Qty	Rep. QTY
1		10702561		THREAD TENSION ASM.						1	
2		10702553		THREAD TENSION JUNCTION				*		1	
3		10320109		SCREW STUD				*		1	
4		10702603		THREAD LOOSENING PLATE				*		1	
5		10320208		THRED TENSION STUD NUT				*		1	
6		10741452		THREAD TAKE-UP GUIDE ASM.				*		1	
7		10702405		THREAD TAKE-UP SPRING				*	☆	1	
8	R	10744704	11957008	THREAD TENSION NUT				*	☆	2	1.00
9		10744803		ROTATIONANDSTOP				*		2	
10		B3129012A00		TENSION SPRING				*	☆	2	
11		10744902		THREAD TENSION PLATE SUPPRESSION				*		2	
12		40113091		THREAD TENSION DISK				*		4	
13		10741601		THREAD LOOSEN PIN				*		2	
14		B3216047000		BOBBIN WINDER TENSION NUT				*		1	
15		D3168555H0B		TENSION SPRING NO.1				*	☆	1	
16		10741106		FIRST THREAD TENSION PLATE				*		2	
17		10703304		FIRST THREAD TENSION BAR				*		1	
18		NS6110310SP		NUT 11/64-40				*		1	
19		SD0470281SP		HINGE SCREW D=4.7 H=2.8				*		2	
20		10741502		STOP SCREW				*		1	
21		10702702		THREAD LOOSENING PIN				*		1	
22		10702801		THREAD LOOSENING SCREW				*		1	
23		NM6040003SC		NUT M4				*		1	
24		10703205		FIRST THREAD TENSION GUIDE				*		1	
25		WP0320501SC		WASHER M3				*		1	
26		10703106		BALANCE THREAD GUIDE						1	
27		SS5090420SP		SCREW 9/64-40 L=3.5						2	
28		SS6121010SP		SCREW 3/16-28 L=10						2	

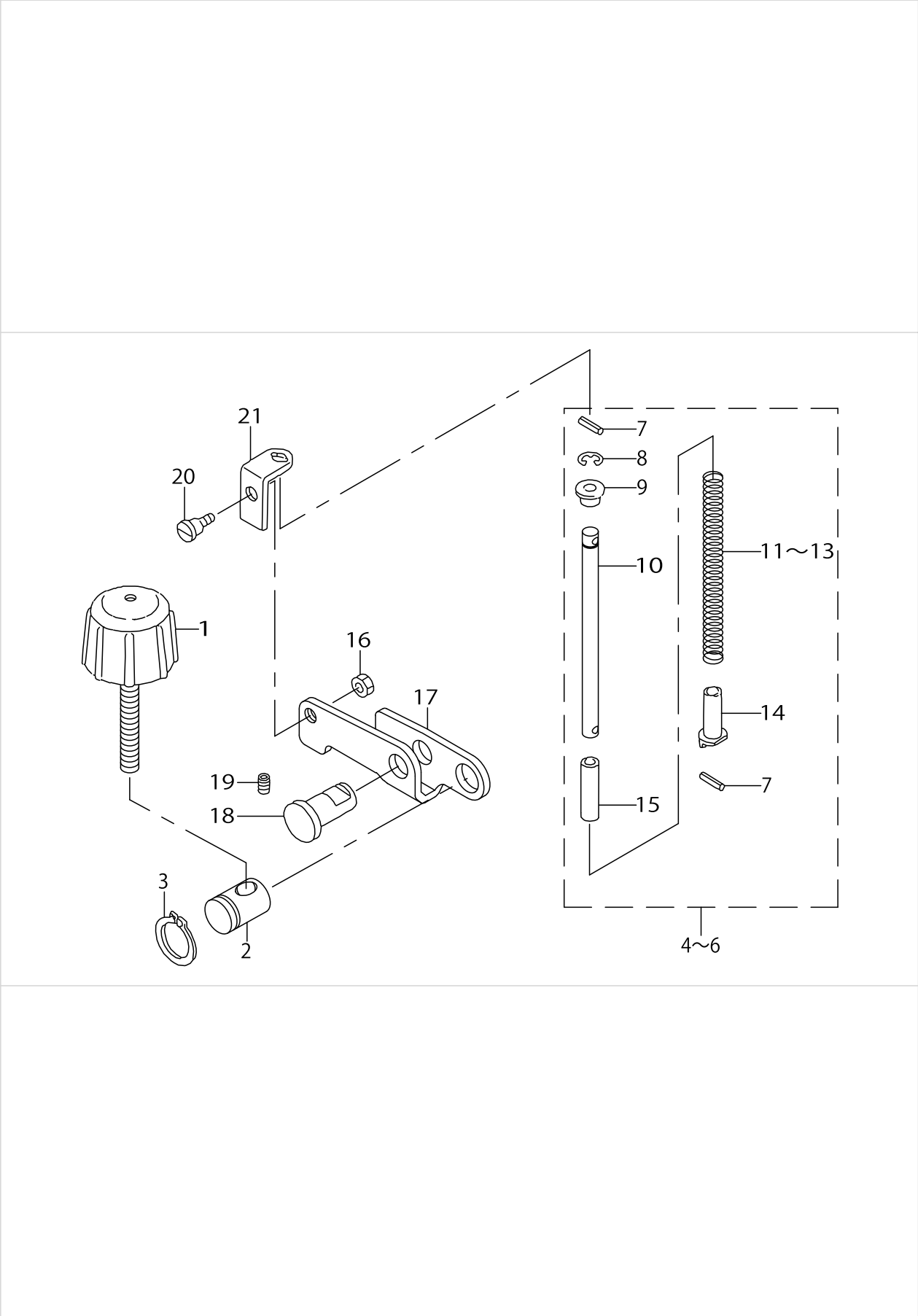
LOWER THREAD WINDER MECHANISM COMPONENTS



LOWER THREAD WINDER MECHANISM COMPONENTS

No.	Supply Code	Parts No.	Replacement	Parts name	Remarks	Choice	Step	Level	Cons	Qty	Rep. QTY
1		10703502		BOBBIN CUM						1	
2		SM8040602TP		SCREW M4X0.7 L=6						1	
3		10703601		BOBBIN SHAFT						1	
4		10703700		BOBBIN SPRING					☆	1	
5		10703908		BOBBIN SHAFT BASE						1	
6		SM8040602TP		SCREW M4X0.7 L=6						1	
7		B3205210000		CUSHION						1	
8		WP0651056SH		WASHER 6.5X11X1						1	
9		SS7110810SP		SCREW 11/64-40 L= 8.0						2	
10		B3211210000		BOBBIN WINDER WHEEL						1	
11		40011368		FRICITION WHEEL					☆	1	
12		NS6110360SP		NUT						1	
13		10703452		BOBBIN PRESSER ASM.						1	
14		10703809		BOBBIN PRESSER SPRING						1	
15		D2430555B00		SNAP RING						1	
16		B3207210000		TRIP LATCH						1	
17		PS0200102KH		SPRING PIN 2.0 X 10						1	
18		B3208210000		SPRING A						2	
19		10704005		BOBBIN SHAFT BASE SHAFT						1	
20		10704807		BOBBIN FRICTION WHEEL						1	
21		SM8050602TP		SCREW M5 L=6						2	
22		10502300		THREAD CUTTER						1	
23		SS6090620TP		SCREW						2	
24		WP0531001SC		WASHER M5						1	
25		WP0520656SA		WASHER 5.2X9.5X0.6						1	
26		SS8111610SP		SCREW 11/64-40 L=15.5						1	
27		SS7110340SP		SCREW 11/64-40 L= 3.2						1	
28		10704153		BOBBIN THREAD G- UIDE PLATE ASM.						1	
29		10704104		BOBBIN THREAD GUIDE PLATE				*		1	
30		10088003		THREAD GUIDE				*		1	
31		NS6110310SP		NUT 11/64-40				*		1	
32		B3216047000		BOBBIN WINDER TENSION NUT				*		1	
33		D3168555H0B		TENSION SPRING NO.1				*	☆	1	
34		40113092		THREAD TENSION DISK				*		2	
35		10124204		THREAD TENSION POST, A				*		1	
36		SS7621040SP		SCREW 3/16-32L=9.5						2	

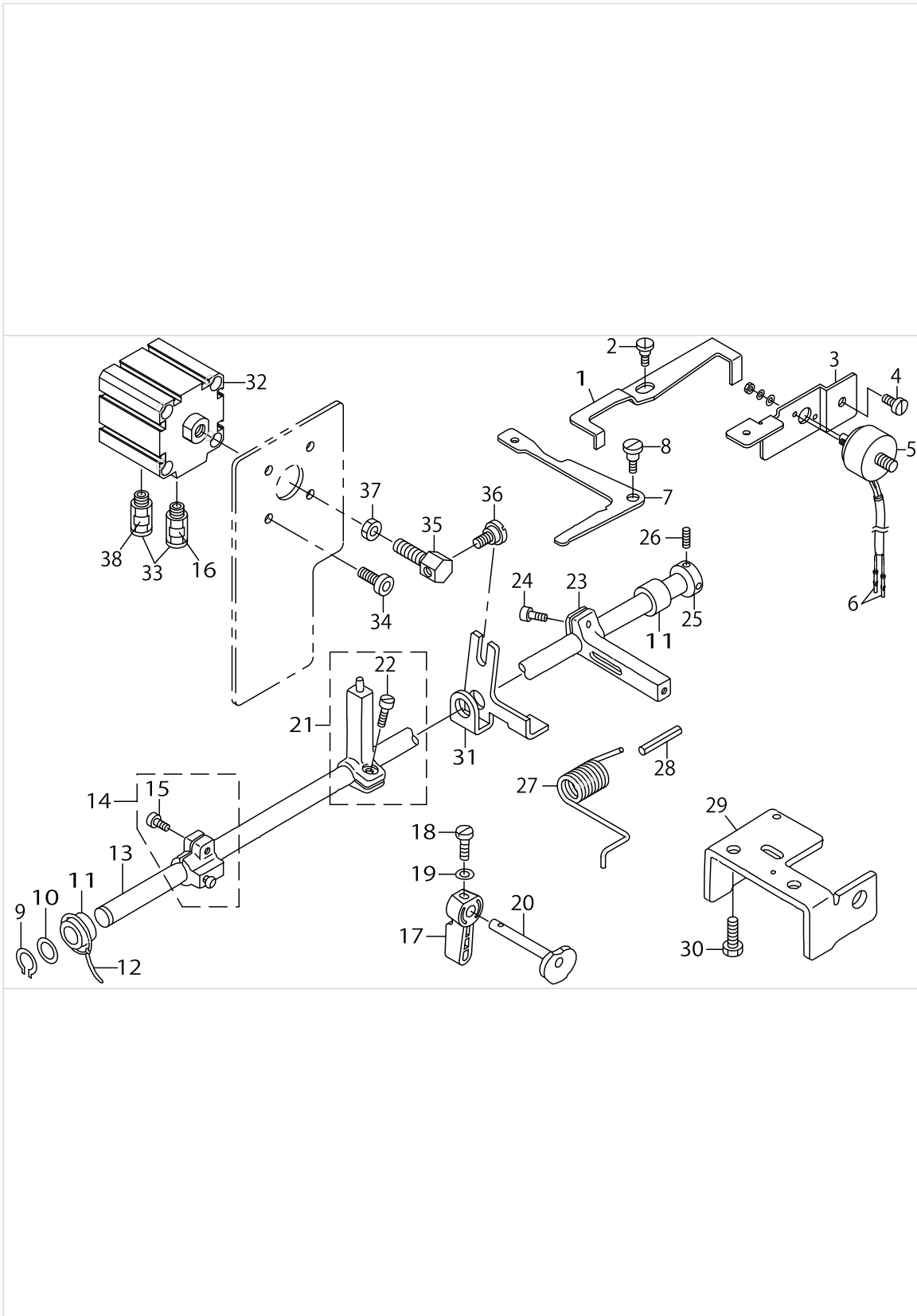
PRESSURE ADJUSTING COMPONENTS



PRESSURE ADJUSTING COMPONENTS

No.	Supply Code	Parts No.	Replacement	Parts name	Remarks	Choice	Step	Level	Cons	Qty	Rep. QTY
1		10743300		ADJUSTMENT DIAL						1	
2		10716009		ADJUSTING HINGE PIN						1	
3		RC1200001KP		C-SHAPED SNAP RING						1	
4	R	10717056	40073881	ADJUSTMENT SPRING ASM.	OPTIONAL PARTS					1	1.00
5		40064240		ADJUSTMENT_SPRING_ASM.						1	
6		10718351		ADJUSTMENT SPRING ASM.	OPTIONAL PARTS					1	
7		PS0300082KH		SPRING PIN 3X8				*		2	
8		RE0500000K0		E-RING				*		1	
9		10715506		SPRING RECEIVING, UPPER				*		1	
10		40052260		ADJUSTING SPRING SHAFT				*		1	
11		10717007		ADJUSTING SPRING	OPTIONAL PARTS			*	☆	1	
12		10715902		ADJUSTMENT SPRING 1.8				*	☆	1	
13		10718302		ADJUSTMENT SPRING 1.4	OPTIONAL PARTS			*	☆	1	
14		10715605		SPRING RECEIVING, LOWER				*		1	
15		BP600000000		VINYL PIPE				*		0.1	
16		NS6150430SP		NUT 15/64-28						1	
17		10716108		ADJUSTING ARM						1	
18		10716207		ADJUSTING ARM SHAFT						1	
19		SS8120740SP		SCREW 3/16-28 L=7						1	
20		SD0700332SP		HINGE SCREW D= 7 H= 3.5						1	
21		10716603		ADJUSTING SPRING SUPPORT						1	

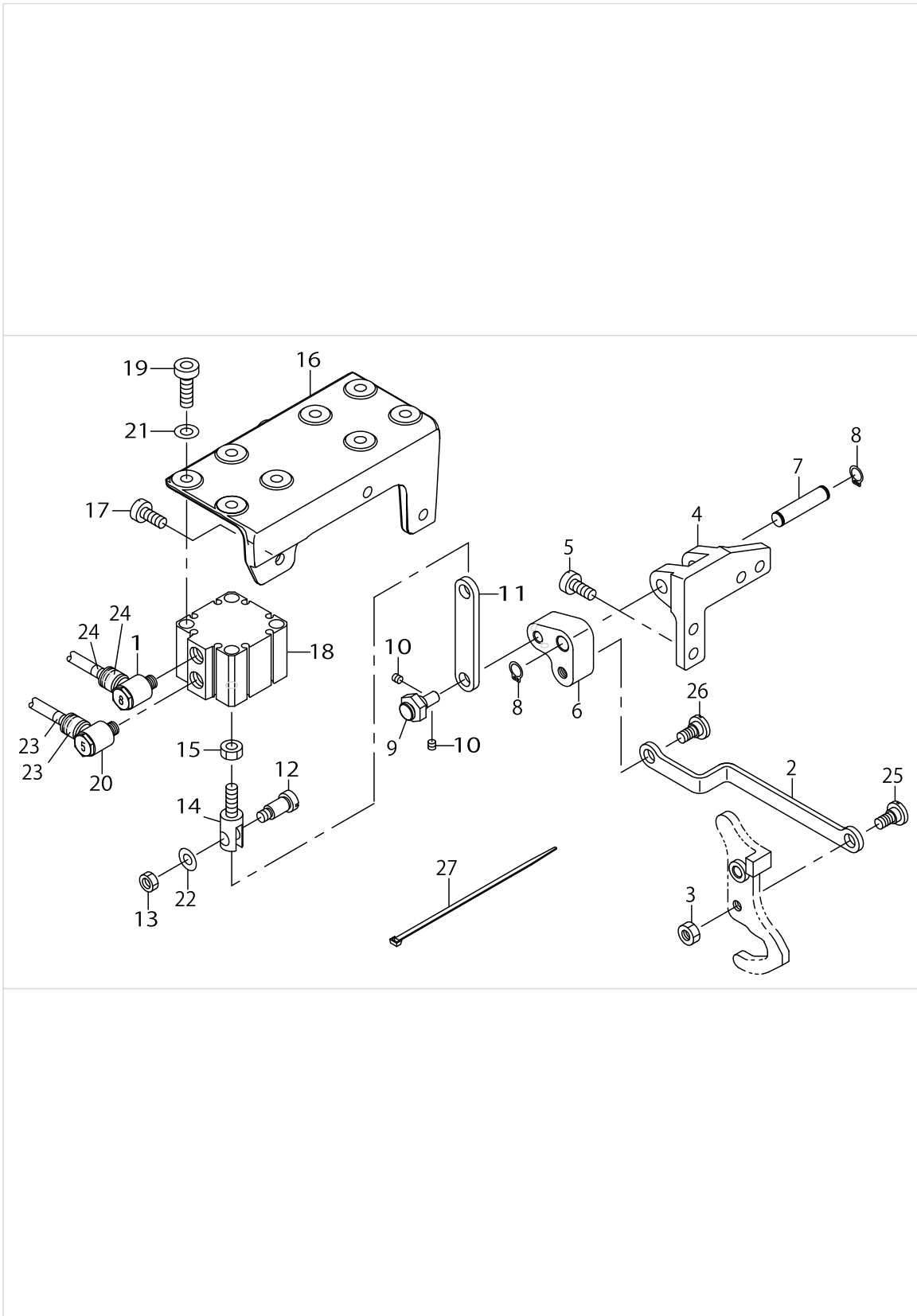
PRESSER LIFTER,AUTOMATIC PRESSER LIFTER & TENSION RELEASE MECHANISM COMPONENTS



PRESSER LIFTER,AUTOMATIC PRESSER LIFTER & TENSION RELEASE MECHANISM COMPONENTS

No.	Supply Code	Parts No.	Replacement	Parts name	Remarks	Choice	Step	Level	Cons	Qty	Rep. QTY
1		10729010		THREAD LOOSENING ARM						1	
2		SD0790203SP		HINGE SCREW D=7.94 H=2						1	
3		10729218		SOLENOID FITTING PLATE						1	
4		SS6121010SP		SCREW 3/16-28 L=10						2	
5		10728905		THREAD LOOSENING SOLENOID						1	
6		HK03464000B		PIN CONTACT						2	
7		10728806		THREAD LOOSENING LEVER						1	
8		SD0901201TP		HINGE SCREW D=9 H=3.2						1	
9		RC1200001KP		C-SHAPED SNAP RING						1	
10		WP1221016SP		WASHER						1	
11		40052264		KNEE LIFT SHAFT FRONT METAL						2	
12		CQ200000000		OIL WICK						.2	
13		10730513		KNEE LIFT SHAFT						1	
14		10729754		PRESSER LIFT ARM ASM.						1	
15		SM6051402TP		SCREW M5X0.8 L=14				*		1	
16		HX00295000F		WIRE MARK (7)						1	
17		22907802		HAND LIFTER						1	
18		SS7090910TP		SCREW 9/64-40 L=8.5						1	
19		WP0371016SD		WASHER 3.7X8X1						1	
20		10729606		PRESSER LIFT CAM						1	
21		10729952		THREAD LOOSENING ARM ASM.						1	
22		SM6061210SC		SCREW M6 L=12				*		1	
23		10730109		KNEE LIFT ARM A						1	
24		SM6061202TP		SCREW M6 L=12						1	
25		CS1201011SH		THRUST COLLAR D=12 W=10						1	
26		SS8660610TP		SCREW 1/4-40 L=6						2	
27		10755502		KNEE LIFTER SPRING						1	
28		PS0500302KH		SPRING PIN 5X30						1	
29		10730703		KNEE SIDE SHAFT HOLDER						1	
30		SM9081050SE		SCREW						2	
31		10736908		PRESSER LIFT LEVER						1	
32		PA400200300		AIR CYLINDER						1	
33		PJ301065104		HALF UNION						2	
34		SM6081802TP		SCREW						2	
35		40052259		CYLINDER CONNECTION SCREW						1	
36		SD0720331SP		HINGE SCREW D= 7.24 H= 3.3						1	
37		NM6080001SE		NUT M8						1	
38		HX00295000G		WIRE MARK (8)						1	

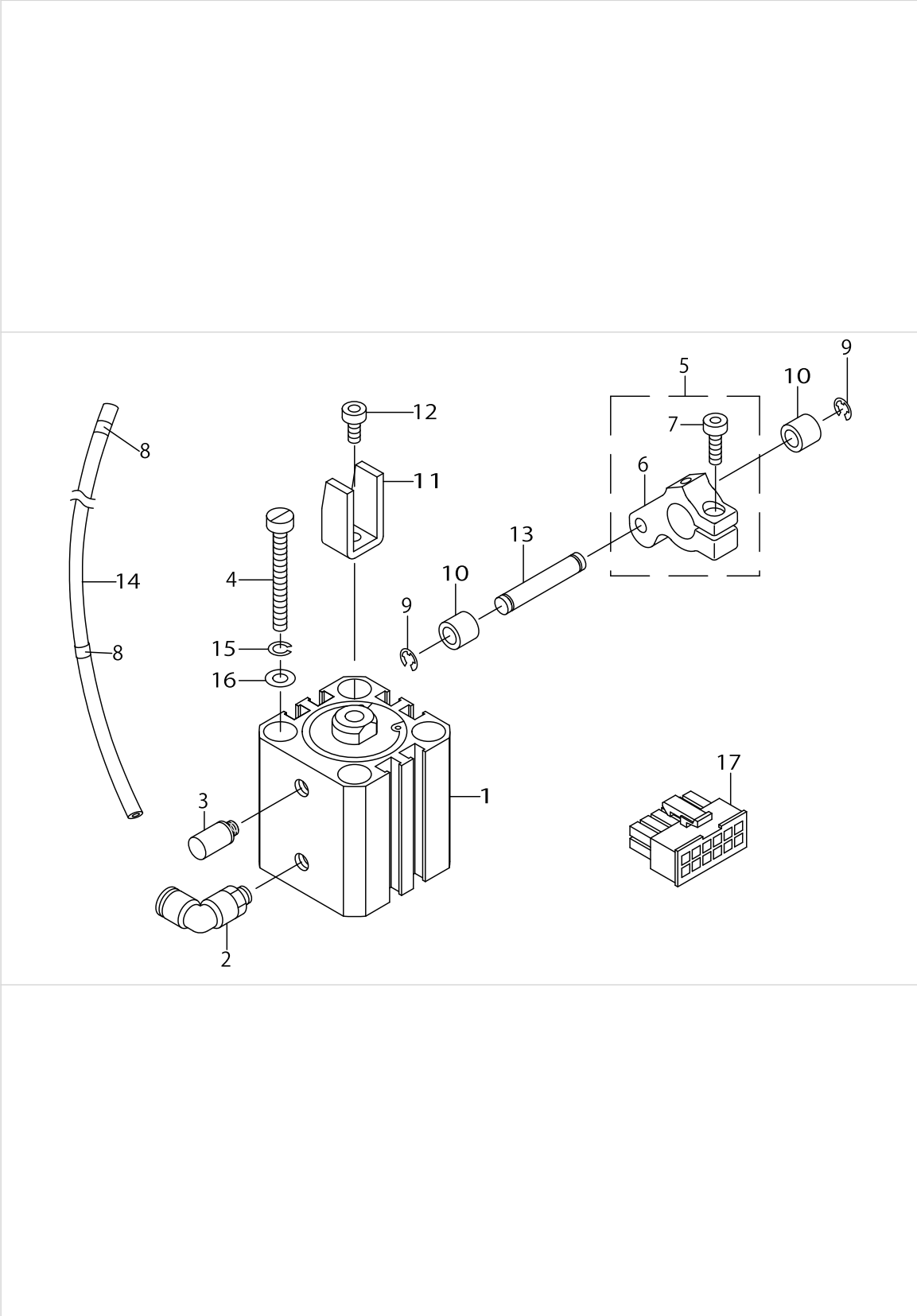
2P DEVICE



2P DEVICE

No.	Supply Code	Parts No.	Replacement	Parts name	Remarks	Choice	Step	Level	Cons	Qty	Rep. QTY
1		PC015118H00		SPEED CONTROLL- ER WITH FIXED ORIFICE 0.8						1	
2		40025561		FEED CONNECTING LINK						1	
3		NS6150540SP		NUT 15/64-28						1	
4		40031233		TRANSFORM LINK BASE						1	
5		SS6151440SP		SCREW15/64-28L=14						4	
6		40031234		TRANSFORM LINK						1	
7		40031235		FULCRUM SHAFT						1	
8		RC0740811KP		C-RING						2	
9		21337902		ECCENTRIC PIN						1	
10		SM8040412TP		SET SCREW M4 L=4						2	
11		40052246		CYLINDER CONNECTING LINK						1	
12		SD0791271SP		HINGE SCREW D= 7.94 H=12.7						1	
13		NS6150430SP		NUT 15/64-28						1	
14		40052254		CYLINDER KNUCKLE JOINT						1	
15		NM6060001SE		NUT M6						1	
16		40058056		INSTALLING_BASE						1	
17		SS6151440SP		SCREW15/64-28L=14						3	
18		PA320100400		AIR CYLINDER						1	
19		SM6061802TP		SCREW M6 L=18						4	
20		PC015118E00		SPEED CONTROLL- ER WITH FIXED ORIFICE 0.8						1	
21		WP0641601SD		WASHER M6						4	
22		WP0621016SD		WASHER 6.2X13X1						1	
23		HX00295000K		WIRE MARK (B)						2	
24		HX00295000L		WIRE MARK (C)						2	
25		SD0800352SP		HINGE SCREW D= 8 H= 3.5						1	
26		SD0800352SP		HINGE SCREW D= 8 H= 3.5						1	
27		EA9500B0200		CABLE BAND 150						1	

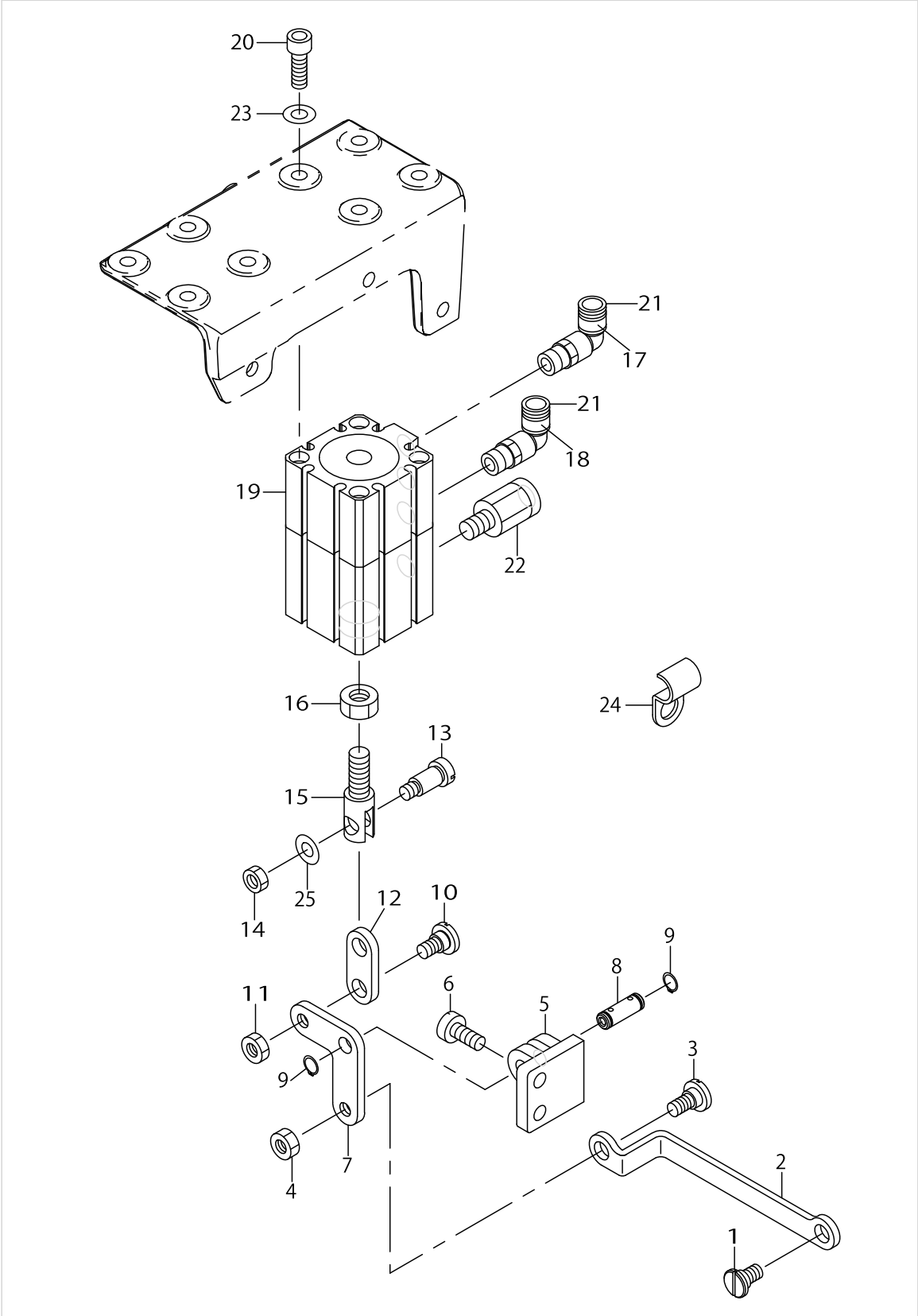
MUTUAL RISING QUANTITY TRANSFER COMPONENTS



MUTUAL RISING QUANTITY TRANSFER COMPONENTS

No.	Supply Code	Parts No.	Replacement	Parts name	Remarks	Choice	Step	Level	Cons	Qty	Rep. QTY
1		PA250200600		JIG CYLINDER						1	
2		PJ304060505		ELBOW						1	
3		PX050501000		SILENCER						1	
4		SM6044500SP		SCREW						2	
5		10735959		VERTICAL CYLINDER ARM ASM.						1	
6		10735900		VERTICAL CYLINDER ARM				*		1	
7		SM6051402TP		SCREW M5X0.8 L=14				*		1	
8		HX00295000H		WIRE MARK (9)						2	
9		RE0320000K0		E-RING 3.2						2	
10		B3031141H00		CONNECTING STUD						2	
11		10736007		ROLLER HOLDER						1	
12		SM6050802TP		SCREW M5X0.8 L=8						1	
13		B1504210000		CONNECTING SHAFT						1	
14		BT0600401EB		TUBE						1.2	
15		WS0410002KN		SPRING WASHER						2	
16		WP0450846SP		WASHER						2	
17		HK034610120		CONNECTOR						1	

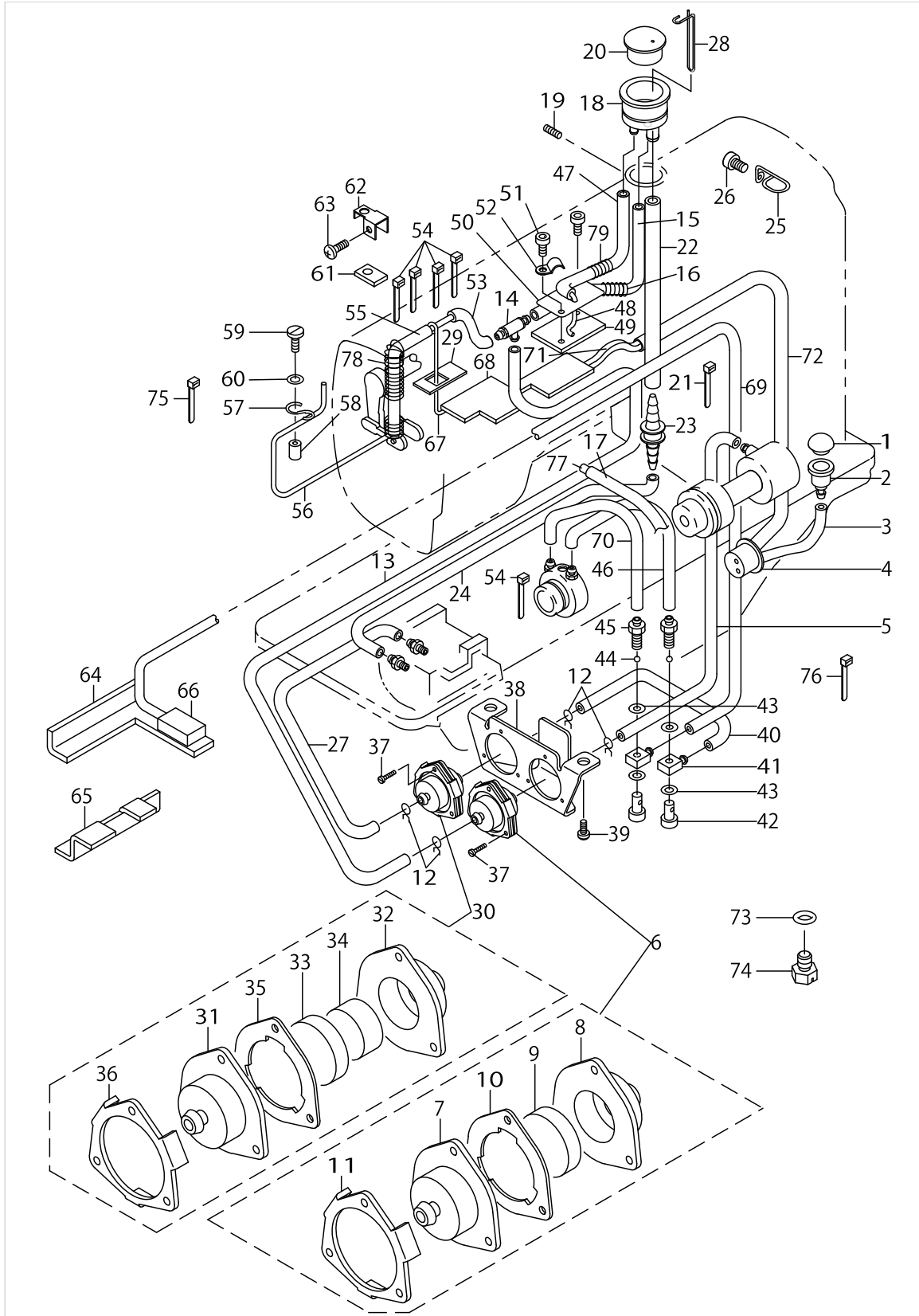
BACK TUCK COMPONENTS



BACK TUCK COMPONENTS

No.	Supply Code	Parts No.	Replacement	Parts name	Remarks	Choice	Step	Level	Cons	Qty	Rep. QTY
1		SD0800346TP		SHOULDER SCREW						1	
2		10736403		BACKWARD FEED ROD						1	
3		SD0800352SP		HINGE SCREW D= 8 H= 3.5						1	
4		NS6150540SP		NUT 15/64-28						1	
5		10775807		LINK FITTING BASE						1	
6		SS6151440SP		SCREW15/64-28L=14						2	
7		40058055		BACKWARD_FEED_LINK_A						1	
8		10718906		VERTICAL FEED LINK SHAFT						1	
9		RC0650811KP		RETAINING RING						2	
10		SD0800402TP		HINGE SCREW D= 8 H= 4						1	
11		NS6150430SP		NUT 15/64-28						1	
12		40058053		BACKWARD_FEED_C- ONNECTING_PLATE						1	
13		SD0791271SP		HINGE SCREW D= 7.94 H=12.7						1	
14		NS6150430SP		NUT 15/64-28						2	
15		40099435		CYLINDER KNUCKLE JOINT						1	
16		NM6080001SE		NUT M8						1	
17		HX002950000		WIRE MARK(1)						1	
18		HX00295000A		WIRE MARK(2)						1	
19		PA320200300		AIR CYLINDER						1	
20		SM6061802TP		SCREW M6 L=18						2	
21		PJ304065101		ELBOW UNION 6XPT1/8						2	
22		PX015101000		MUFFLER						2	
23		WP0641601SD		WASHER M6						2	
24		B3538112000		OIL RETURN TUBE HOLDER						1	
25		WP0621016SD		WASHER 6.2X13X1						1	

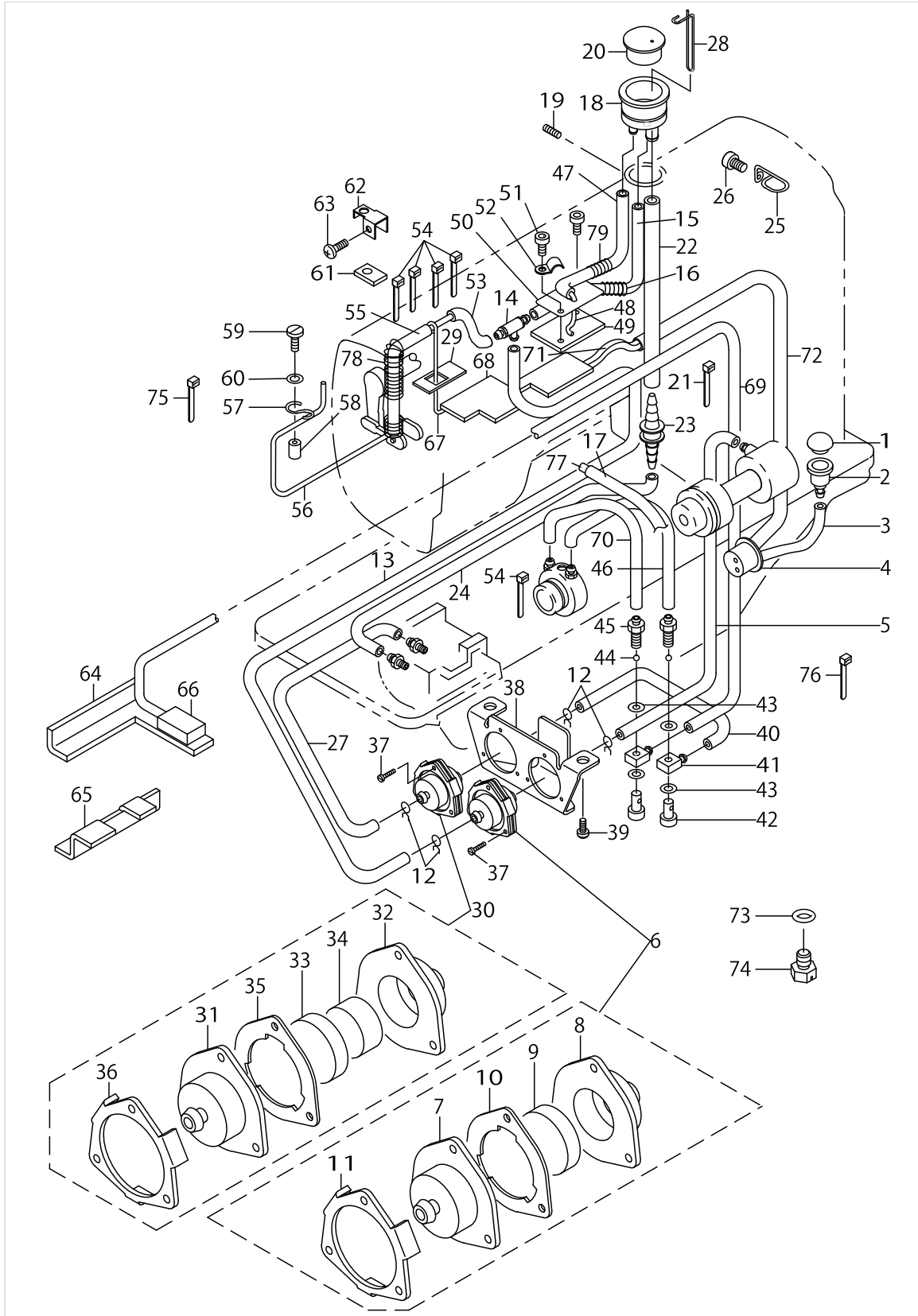
LUBRICATION COMPONENTS



LUBRICATION COMPONENTS

No.	Supply Code	Parts No.	Replacement	Parts name	Remarks	Choice	Step	Level	Cons	Qty	Rep. QTY
1		TA1450404R0		RUBBER PLUG D=14.5 L=4						1	
2		10731404		LUBRICATING HOLE						1	
3		BT0600402EA		OIL TUBE						.2	
4		10733004		BED TANK LUBRICATING COVER						1	
5		BT0500300E0		OIL TUBE						.3	
6		10727154		FILTER A ASM.						1	
7		10727105		FILTER CASE				*		1	
8		10727204		FILTER CAP				*		1	
9		B8228125000		OIL RESERVOIR MAGNET				*		1	
10		10739209		FILTER PACKING				*		1	
11		10753002		FILTER PLATE				*		1	
12		10126803		OIL TUBE HOLDER						4	
13		BT0500300E0		OIL TUBE						.6	
14		B3521245000		RUBBER JOINT						1	
15		BT0500300E0		OIL TUBE						.2	
16		B3520245000		SPRING						1	
17		BT0800602E0		URETHANE TUBE 6-X8 TRANSPARENT						.14	
18		10771509		OIL WINDOW						1	
19		SS8150750SP		SCREW 15/64-28 L=7						1	
20		10760304		OIL SIGHT WINDOW						1	
21		EA9500B0000		CLIP CV-70S						3	
22		BT0800602E0		URETHANE TUBE 6-X8 TRANSPARENT						.17	
23		10771301		PIPE CONNECTOR B						1	
24		BT0600402EA		OIL TUBE						.45	
25		10732709		CORD GUIDE						1	
26		SS6121010SP		SCREW 3/16-28 L=10						1	
27		BT0500300E0		OIL TUBE						.15	
28	D	10760502		LUBRICATION GUIDE BAR						1	
29		10747111		LUBRICATING FELT						1	
30		10727162		FILTER B ASM.						1	
31		10727105		FILTER CASE				*		1	
32		10727204		FILTER CAP				*		1	
33		B8228125000		OIL RESERVOIR MAGNET				*		1	
34		10727303		FILTER				*	☆	1	
35		10739209		FILTER PACKING				*	☆	1	
36		10753002		FILTER PLATE				*		1	
37		SM6021000TP		SCREW						6	
38		10755403		FILTER FIXING PLATE						1	
39		SM6061210SC		SCREW M6 L=12						2	
40		BT0500300E0		OIL TUBE						.1	
41		40082707		CONNECTING SCREW						2	
42		B3525357000		CONNECTING SCREW (B)						2	
43		B3534012000		GASKET						4	
44		21054903		BALL						2	
45		10702108		CONNECTING SCREW						2	

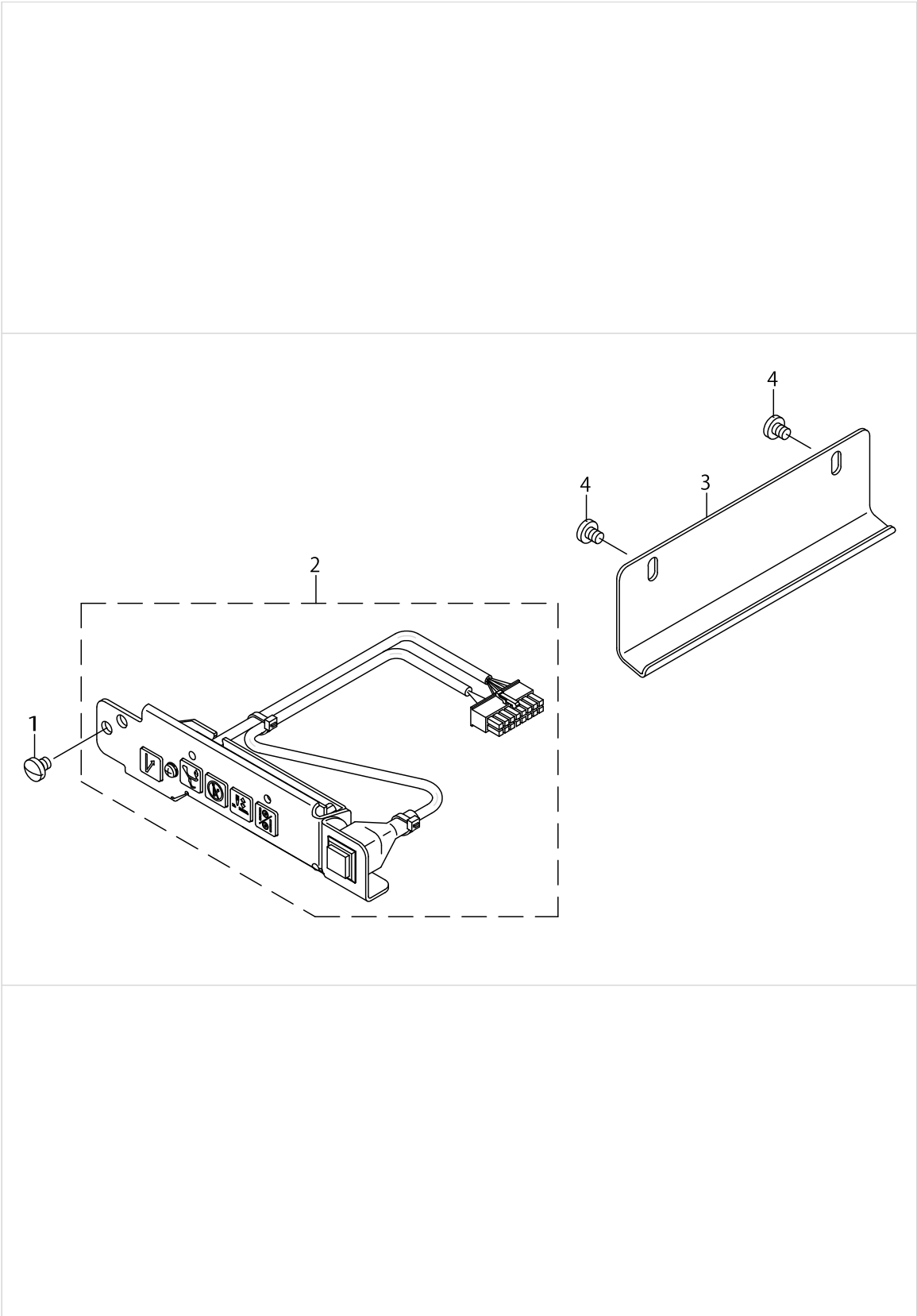
LUBRICATION COMPONENTS



LUBRICATION COMPONENTS

No.	Supply Code	Parts No.	Replacement	Parts name	Remarks	Choice	Step	Level	Cons	Qty	Rep. QTY
46		BT0500300E0		OIL TUBE						.13	
47		BT0600402EA		OIL TUBE						.28	
48		CQ252000000		OIL WICK						.55	
49		10732402		VERTICAL LUBRICATING FELT						1	
50		10732600		LUBRICATING FELT PRESSER B						1	
51		SM6050802TP		SCREW M5X0.8 L=8						1	
52		D2611555B00A		CABLE HOLDER						1	
53		BT0600402EA		OIL TUBE						.04	
54		EA9500B0100		CABLE BAND						11	
55		BT0400251EA		TUBE HOSE, BLUE						.16	
56		CQ202000000		OIL WICK						.4	
57		B1648122000		SUSPENSION HOOK (B)						1	
58		10734606		FELT PRESSER SPACER						1	
59		SS6081210SP		SCREW 1/8-44 L=12						1	
60		WP0320501SC		WASHER M3						1	
61		10733608		SWING STAND FELT, UPPER						1	
62		10733707		SWING STAND FELT SUPPORT,UPPER						1	
63		SM4040601SC		SCREW M4X0.7 L=6						1	
64		10734119		RETURN CURRENT FELT						1	
65		10702207		FELT						1	
66		10527901		FELT						1	
67		CQ202000000		OIL WICK						.25	
68		10734309		FELT						1	
69		BT0500300E0		OIL TUBE						.68	
70		BT0500300E0		OIL TUBE						.13	
71		10773000		FELT						1	
72		BT0800602E0		URETHANE TUBE 6-X8 TRANSPARENT						.4	
73		RO068190100		RUBBER RING						1	
74		40079568		DRAIN_COCK						1	
75		EA9500B0000		CLIP CV-70S						1	
76		EA9500B0200		CABLE BAND 150						2	
77		SQ1680701MZ		CONNECTING SCREW						1	
78		10746907		SPRING						1	
79	D	10123701		PRESSER SPRING						1	

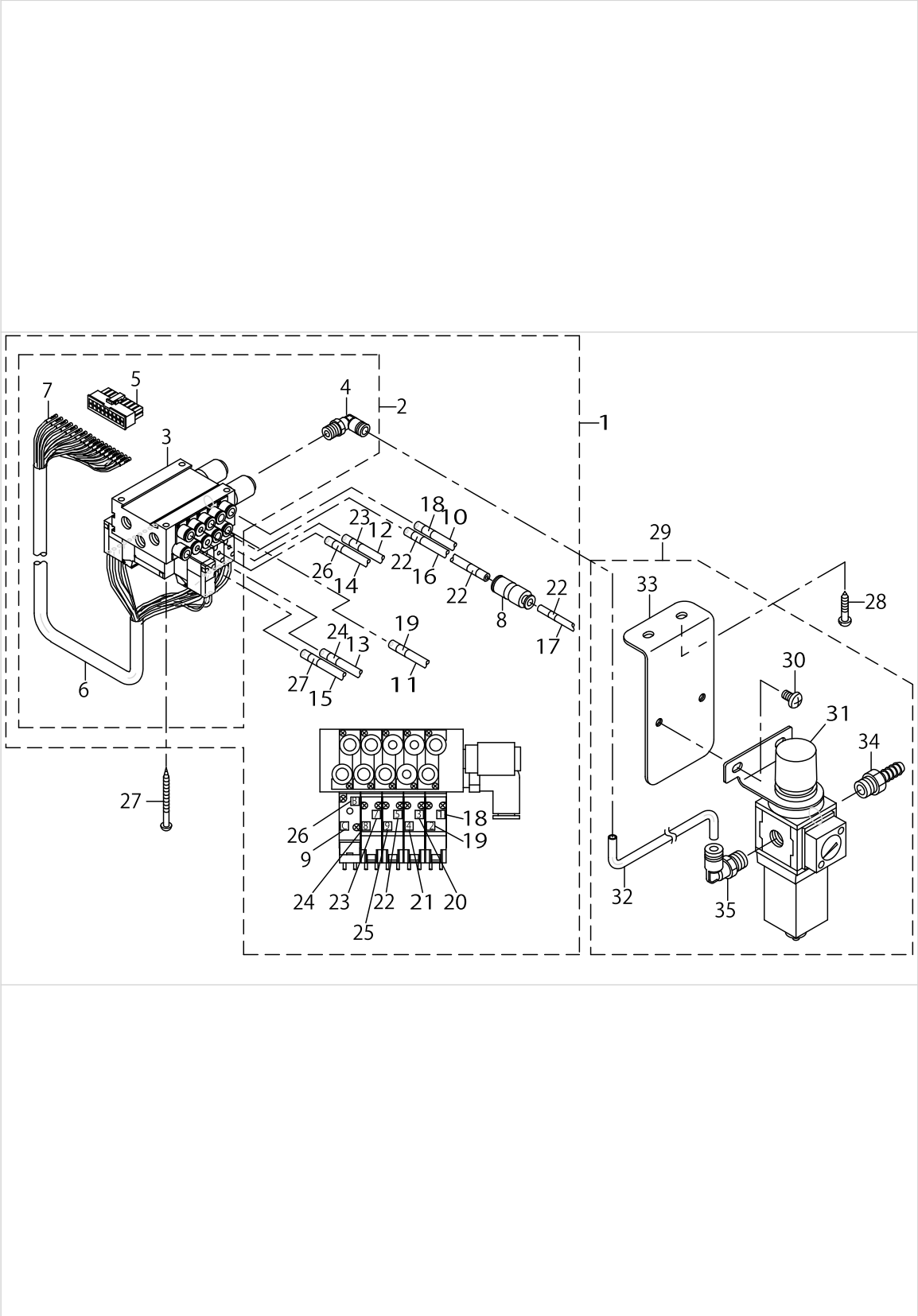
6-RANGE SWITCH COMPONENTS



6-RANGE SWITCH COMPONENTS

No.	Supply Code	Parts No.	Replacement	Parts name	Remarks	Choice	Step	Level	Cons	Qty	Rep. QTY
1		SS7120640SP		SCREW 3/16-28 L=6						2	
2		40103917		6RANG SWITCH ASM.						1	
3		40058057		CABLE_COVER						1	
4		SS7120640SP		SCREW 3/16-28 L=6						2	

PNEUMATIC COMPONENTS



PNEUMATIC COMPONENTS

No.	Supply Code	Parts No.	Replacement	Parts name	Remarks	Choice	Step	Level	Cons	Qty	Rep. QTY
1		40103170		AIR APPARATUS (R) ASM.						1	
2		40103171		ELECTROMAGNETIC VALVE (R) ASM.				*		1	
3		40059559		ELECTROMAGNETIC VALVE (R)				*		1	
4		GAK29010000		ELBOW B				*		1	
5		HK034610180		CONNECTOR				*		1	
6		GAKA1503000		INSULATION TUBE				*		0.2	
7		HK03464000A		TERMINAL, FEMALE				*		18	
8		PJ303040006		JOINT				*		1	
9		HX00295000L		WIRE MARK(C)				*		4	
10		BT0600401EB		TUBE				*		1.3	
11		BT0600401EB		TUBE				*		1.3	
12		BT0600401EB		TUBE				*		1.3	
13		BT0600401EB		TUBE				*		1.3	
14		BT0600401EB		TUBE				*		1.3	
15		BT0600401EB		TUBE				*		1.3	
16		BT0400251EB		URETHANE HOSE, BLACK				*		1.2	
17		BT0200121EB		URETHANE TUBE BLACK 2X1.2				*		0.4	
18		HX002950000		WIRE MARK(1)				*		4	
19		HX00295000A		WIRE MARK(2)				*		4	
20		HX00295000B		WIRE MARK(3)				*		1	
21		HX00295000C		WIRE MARK(4)				*		1	
22		HX00295000D		WIRE MARK(5)				*		5	
23		HX00295000F		WIRE MARK (7)				*		4	
24		HX00295000G		WIRE MARK(8)				*		4	
25		HX00295000H		WIRE MARK(9)				*		1	
26		HX00295000K		WIRE MARK(B)				*		4	
27		SK3385001SE		WOOD SCREW D=3.8 L=50						4	
28		SK3482501SE		WOOD SCREW D=4.8 L=25						2	
29		40038722		FILTER REGULATAR ASM.						1	
30		SM4061001SB		SCREW M6 L=10				*		2	
31		PF0552170A0		FILTER REGULATOR				*		1	
32		BT0600401EB		TUBE				*		1	
33		40038723		FILTER REGULATOR MOUNTING PLATE				*		1	
34		40107618		NIPPLE				*		1	
35		GAK29009000		ELBOW				*		1	

TABLE & BELT COVER COMPONENTS

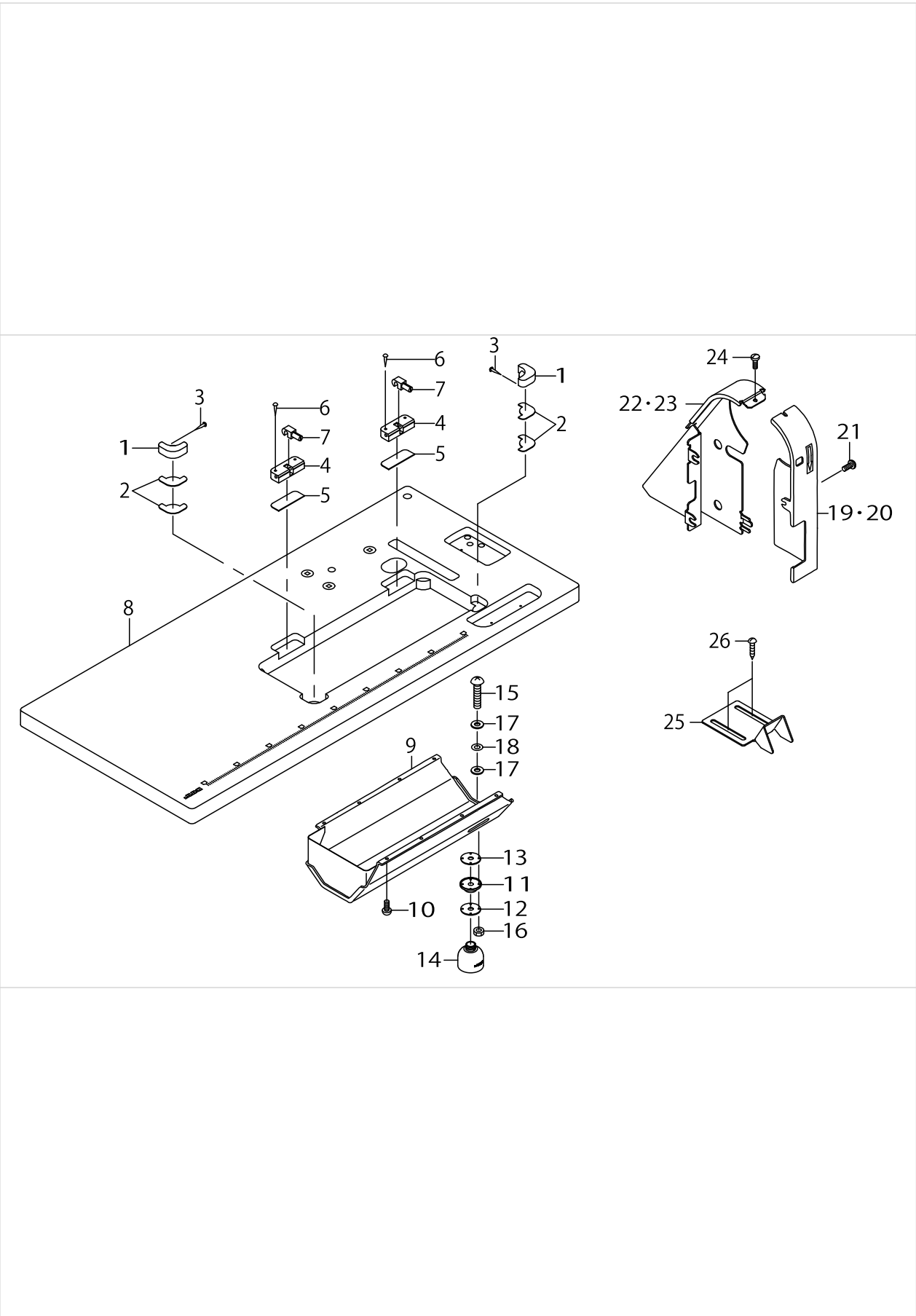
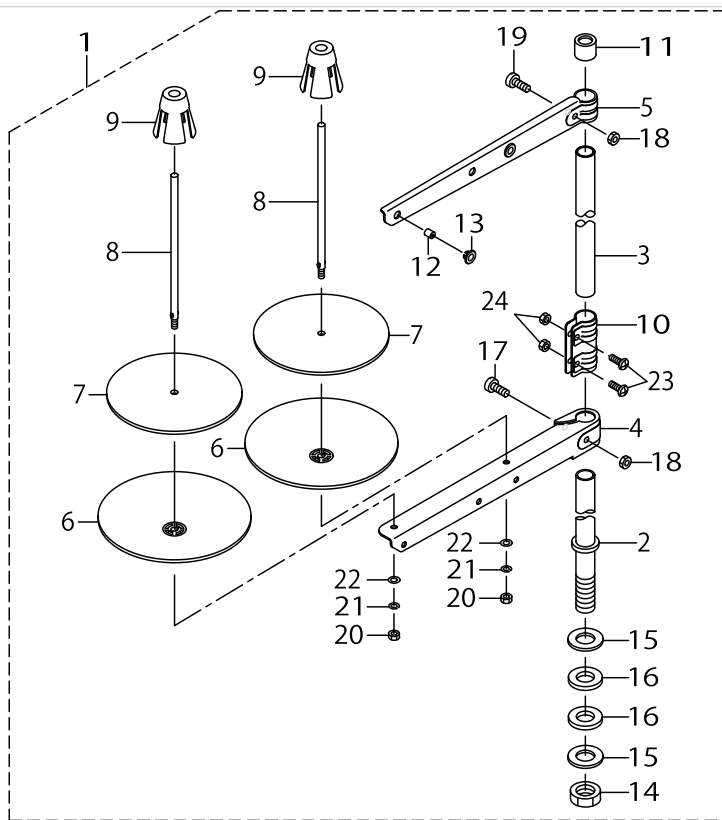


TABLE & BELT COVER COMPONENTS

No.	Supply Code	Parts No.	Replacement	Parts name	Remarks	Choice	Step	Level	Cons	Qty	Rep. QTY
1		10742302		HEAD SUPPORT RUBBER						2	
2		10740900		RUBBER						4	
3		10539906		SET NAIL						4	
4		10734853		HINGE ASM.						2	
5		10742005		SPACER						2	
6		10539906		SET NAIL						4	
7		B8213012000		BED HINGE CONNECTION						2	
8		10735306		TABLE						1	
9		10772952		OIL RESERVOIR ASM.						1	
10		SK3241601SC		WOOD SCREW D=2.4 L=16						8	
11		40025299		OIL POT JOINT						1	
12		21379003		OIL MANAGEMENT WASHER						1	
13		B8112220000		OIL SEAL						1	
14		40025300		OIL POT						1	
15		SM3031401SE		SCREW M3X0.5 L=14						4	
16		NM6030001SC		NUT M3						4	
17		10748101		OIL REMOVING SET- SCREW PACKING						8	
18		WP0320501SC		WASHER M3						4	
19		10743656		BELT COVER,LEFT						1	
20	D	10755155		BELT COVER,LEFT(JE)	FOR JE					1	
21		SS5150510SP		SCREW 15/64-28 L=5						3	
22		40059694		BELT COVER						1	
23		40059695		BELT COVER	FOR JE					1	
24		SS7110510SP		SCREW 11/64-40 L=5						1	
25		10755205		BELT COVER C(JE)	FOR JE					1	
26	R	SK3482500SC	SK3482501SE	WOOD SCREW D=4.8 L=25	FOR JE					2	1.00

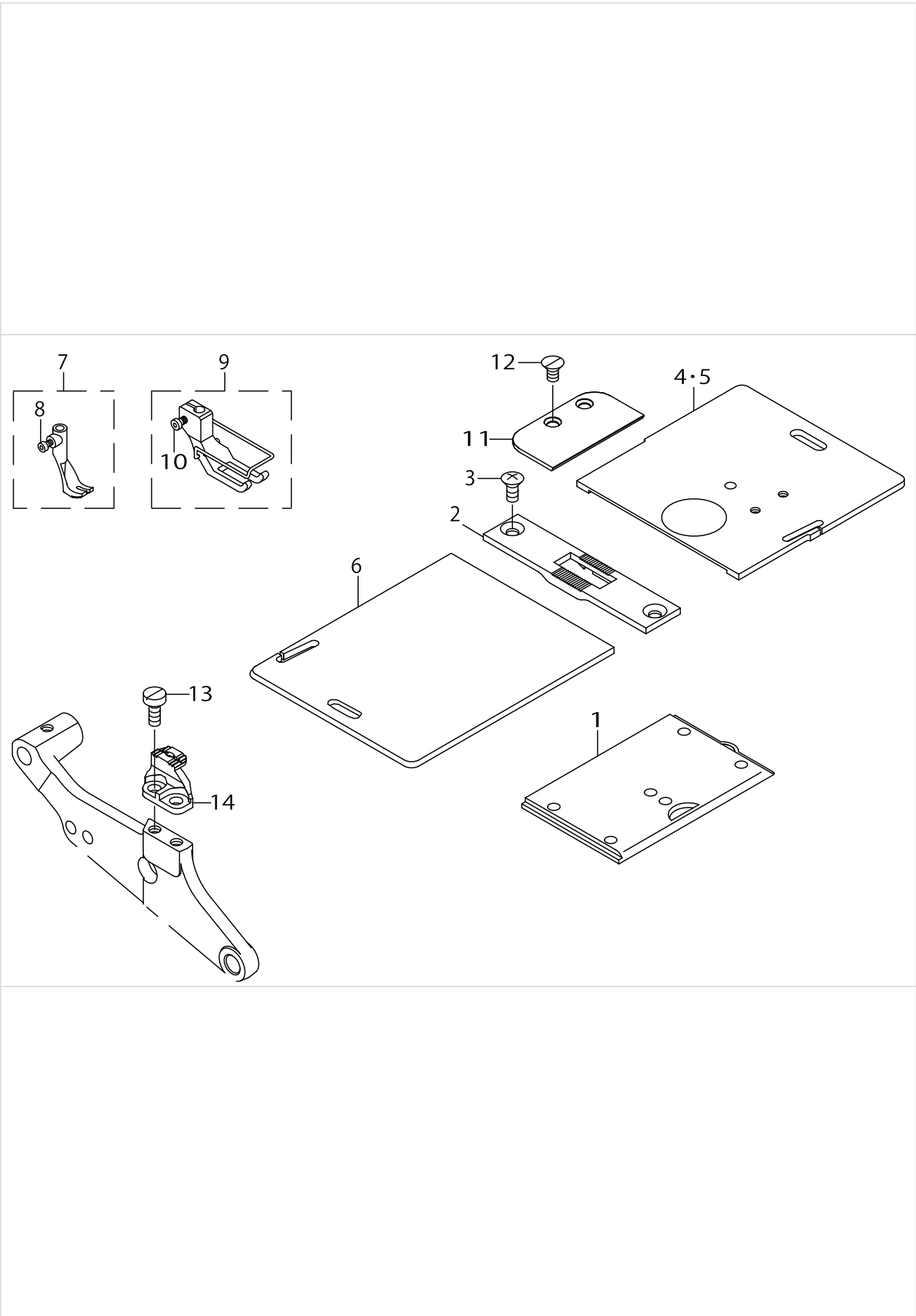
THREAD STAND COMPONENTS



THREAD STAND COMPONENTS

No.	Supply Code	Parts No.	Replacement	Parts name	Remarks	Choice	Step	Level	Cons	Qty	Rep. QTY
1		40096354		THREAD STAND ASM.						1	
2		40085784		SPOOL REST ROD LOWER				*		1	
3		40085785		SPOOL REST ROD UPPER				*		1	
4		40085786		SPOOL REST ARM LOWER				*		1	
5		40085787		SPOOL REST ARM UPPER				*		1	
6		40085788		SPOOL REST				*		2	
7		40085789		SPOOL REST CUSHION				*		2	
8		40085790		SPOOL PIN				*		2	
9		40085791		SPOOL RETAINER				*		2	
10		40085792		SPOOL REST ROD JOINT				*		1	
11		40085793		SPOOL REST ROD RUBBER CAP				*		1	
12		40085794		THREAD GUIDE				*		2	
13		40085795		THREAD GUIDE BUSHING				*		2	
14		40096325		SPOOL REST ROD NUT				*		1	
15		WP1612616SE		WASHER 16X30X2.6				*		2	
16		40085796		SPOOL REST ROD RUBBER CUSHION				*		2	
17		40096326		SPOOL REST ARM LOWER SCREW				*		1	
18		NM6050001SE		NUT M5				*		2	
19	R	40096327	SM4053001SE	SPOOL REST ARM UPPER SCREW				*		1	1.00
20		NM6050001SE		NUT M5				*		2	
21		WS0510002KN		SPRING WASHER M5				*		2	
22		WP0531001SC		WASHER M5				*		2	
23		SM4051405SE		SCREW M5 L=14				*		2	
24		NM6050001SE		NUT M5				*		2	

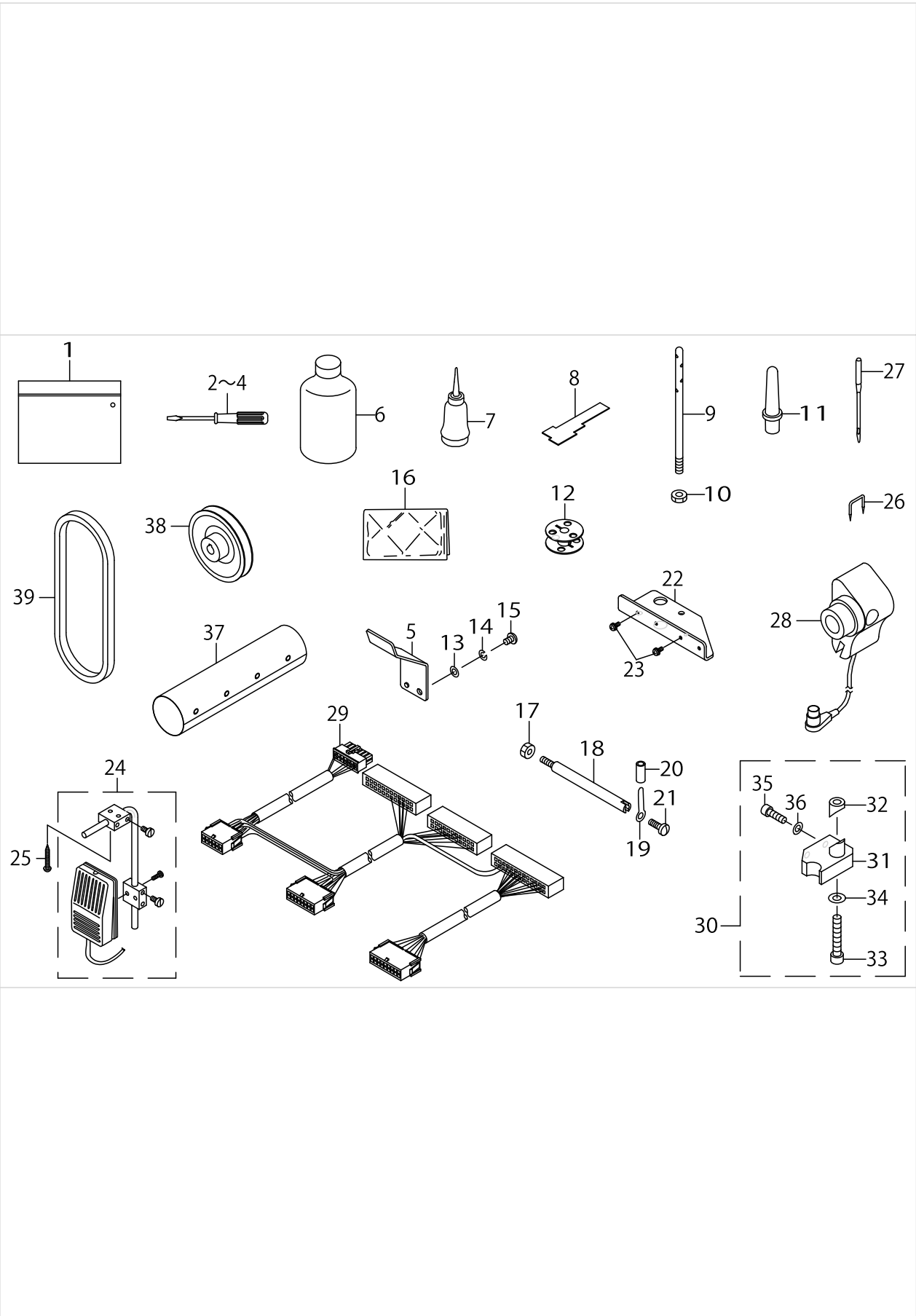
GAUGE COMPONENTS



GAUGE COMPONENTS

No.	Supply Code	Parts No.	Replacement	Parts name	Remarks	Choice	Step	Level	Cons	Qty	Rep. QTY
1		10701654		SLIDE PLATE ASM.						1	
2		40058071		THROAT_PLATE						1	
3		SS2110915SP		SCREW 11/64-40 L=8.5						2	
4		10753150		SLIDER PLATE ASM., RIGHT						1	
5		10701803		SLIDE PLATE ,RIGHT	FOR JE					1	
6		10701902		SLIDE PLATE ,LEFT						1	
7		10711653		FEED FOOT ASM.						1	
8		SM6040552TP		SCREW M4 L=4.5				*		1	
9		10712552		PRESSER FOOT ASM.						1	
10		SM6040802TP		SCREW M4X0.7 L=8				*		1	
11		40058049		AUXILIARY_COVER						1	
12		SM1040750TP		SCREW M4 L=7						2	
13		SS6111010TP		SCREW 11/64-40 L= 9.5						2	
14		40083237		FEED_DOG(NM140)						1	














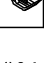
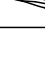
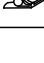
ACCESSORIES PARTS COMPONENTS



ACCESSORIES PARTS COMPONENTS

No.	Supply Code	Parts No.	Replacement	Parts name	Remarks	Choice	Step	Level	Cons	Qty	Rep. QTY
1	R	B9101552000	22932800	ACCESSORY BOX						1	1.00
2		22933006		SCREW DRIVER,LARGE	EXCEPT JA					1	
3		22933105		SCREW DRIVER,MIDDLE						1	
4		22933204		SCREW DRIVER,SMALL						1	
5		40052256		PANEL THREAD GUIDE						1	
6		MDFRX1600C0		DEFRIX OIL NO.1(600CC)						1	
7		B91210120A0		OILER ASM.						1	
8		40063937		ADJUST_GAGE						1	
9		40052262		THREAD GUIDE PIN						1	
10		NS6620310SP		NUT 3/16-32						1	
11		22931604		FRAME SUPPORT BAR						1	
12		10759603		ALUMINUM BOBBIN (DOUBLE-CUT)					☆	1	
13		SM4040601SC		SCREW M4X0.7 L=6						1	
14		WP0430800SC		WASHER M4						1	
15		WS0410002KN		SPRING WASHER						1	
16		22933303		HEAD COVER						1	
17		NS6150430SP		NUT 15/64-28						1	
18		D7101245E00		SYNCHRONIZER HOLDER STUD						1	
19		D7102245E00		SYNCHRONIZER HOLDER PLATE						1	
20		BT0630520Z0		HOLDER COVER						.02	
21		SS7110710SP		SCREW 11/64-40 L=7						1	
22		10774701		PANEL FIXED SUPPORT PLATE						1	
23		SL4041081SC		SCREW M4 L=10						2	
24		40025036		KNEE SWITCH ASM.	FOR DLKN- EE SWITCH TYPE					1	
25	R	SK3514000SC	SK3514001SE	WOOD SCREW D=5.1 L=40	FOR DLKN- EE SWITCH TYPE					2	1.00
26	D	MA011532000		STAPLE	FOR DLKN- EE SWITCH TYPE					2	
27	R	MC321001402	MC321001400	NEEDLE 134-35 #140-2						1	1.00
28		40026920		SYNCHRONIZER ASM						1	
29		40101742		RELAY CORD ASM.						1	
30		10735868		FIXING BASE ASM.						1	
31		10735801		FIXING BASE					*	1	
32		10737401		FIXING BASE NUT					*	1	
33		SM6063502TP		SCREW M6 L=35					*	1	
34		WP0621016SD		WASHER 6.2X13X1					*	1	
35		SM6051602TP		SCREW M5X0.8 L=16					*	2	
36		WP0531000SE		WASHER					*	2	
37		40102736		BUTTON TUBE						1	
38		MTSP00850B0		MOTOR PULLEY ASM. P.C.D 85						1	
39		MTJVH00430A		V BELT 43INCH						1	

TABLE OF EXCHANGING GAUGE PARTS (1)

Walking foot 上送り足																	
		Ref.No	Part No.	Ref.No	Part No.	Ref.No	Part No.	Ref.No	Part No.	Ref.No	Part No.	Ref.No	Part No.	Ref.No	Part No.	Ref.No	Part No.
Presser foot 押え足		1	107-11653	2	107-11752	3	107-11851	4	107-11950	5	107-45354	9	107-46352	13	107-12354 *01	14	107-12057
		6	107-45453	10	107-46451												
		7	107-45552	11	107-46550												
		8	107-45651	12	107-46659												
	15	107-12552	Standard 標準 	—	—	—	—	—	—	—	—	—	—	○	—	—	—
	16	107-58456	*02	—	—	—	—	—	—	—	—	—	—	○	—	—	—
	17	107-12651	 *03	—	—	—	—	—	—	—	—	—	—	○	—	—	—
	18	107-12750	 *04	 *05	—	—	—	—	—	—	—	—	—	—	—	—	—

*01...Without groove.

溝無しタイプ

To be used when the thread cannot be grasped at the sewing start.

縫い始めに糸が絡みにくい時に使用

*02...For overlapped sections of material.

段部用

Common type for overlapped sections and flat sections,

Intermediate type between 10712552 and 10712651.

段部用・平部でも使用できる両用タイプ、10712552と10712651の中間タイプ

*03...For overlapped sections of material.

段部用

To be used when overlapped sections cannot be smoothly fed.

段部での乗り越えが悪い時に使用

*04...For light-weight sponge.

薄いスポンジ用

To be used for resilient materials such as sponge.

スポンジ等の弾力性の有る素材に使用

*05...For heavy-weight sponge.

厚いスポンジ用

To be used for further resilient materials.

より弾力性の有る素材に使用

TABLE OF EXCHANGING GAUGE PARTS (1)

No.	Supply Code	Parts No.	Replacement	Parts name	Remarks	Choice	Step	Level	Cons	Qty	Rep. QTY
1		10711653		FEED FOOT ASM.						1	
2		10711752		FEEDING FOOT (URETHANE)						1	
3		10711851		FEEDING FOOT ASM. RIGHT						1	
4		10711950		FEEDING FOOT ASM.,LEFT						1	
5		10745354		FEEDING FOOT (PIPING) 3MM						1	
6		10745453		FEEDING FOOT (PIPING) 4MM						1	
7		10745552		FEEDING FOOT (PIPING) 5MM						1	
8		10745651		FEEDING FOOT (PIPING) 6MM						1	
9		10746352		FEEDING FOOT (PI-PING) 3MM ADJUSTABLE						1	
10		10746451		FEEDING FOOT (PI-PING) 4MM ADJUSTABLE						1	
11		10746550		FEEDING FOOT (PI-PING) 5MM ADJUSTABLE						1	
12		10746659		FEEDING FOOT (PI-PING) 6MM ADJUSTABLE						1	
13		10712354		FEED FOOT ASM.						1	
14		10712057		FEED FOOT ASM.						1	
15		10712552		PRESSER FOOT ASM.						1	
16		10758456		PRESSER FOOT ASM.						1	
17		10712651		PRESSER FOOT ASM						1	
18		10712750		PRESSER FOOT, URETHANE						1	

TABLE OF EXCHANGING GAUGE PARTS (2)

Walking foot 上送り足											
Presser foot 押え足	Ref.No	Part No.	Ref.No	Part No.	Ref.No	Part No.	Ref.No	Part No.	Ref.No	Part No.	
		1	107-11653	2	107-11752	3	107-11851	4	107-11950	5	107-45354
									6	107-45453	
									7	107-45552	
									8	107-45651	
									9	107-46352	
									10	107-46451	
									11	107-46530	
									12	107-46659	
									13	107-12354 *01	
									14	107-12057	
	15	107-12859	—	—		*02	—	—	—	—	
	16	107-12958	—	—	—	—		*03	—	—	
	17	107-47350	—	—	—	—		*04	Adjustable 調製式		*05
	18	107-47459									
	19	107-47558									
	20	107-47657									
	21	107-13055	—	—	—	—	—	—	—	*06	

Feed dog 送り歯				
Standard 標準	For bold thread 太糸用	For fine thread 細糸用	For needling curved 糸曲がり防止用(Nm130)	For needling curved 糸曲がり防止用(Nm140)
Ref.No	22	23	24	25
Part No.	400-58070	400-62827	400-64353	400-81022

Throat plate 針板	
	Standard 標準
Ref.No	27
Part No.	400-58071

For machining 加工用		
To be machined to a walking foot. 送り足加工用	Type B to be machined to a walking foot. 送り足加工用B	Type A to be machined to a walking foot. 送り足加工用A
Ref.No	28	29
Part No.	107-12255	107-48358

Swing edge guide 吊り定規	
Ref.No	31
Part No.	MAH-152010A0

- *01...Without groove.
溝無しタイプ
To be used when the thread cannot be grasped at the sewing start.
縫い始めに糸が絡みにくい時に使用
- *02...Right-edge presser.
右片押え
To be used to sew edges of material.
イジを縫製する場合に使用
- *03...Left-edge presser.
左片押え
To be used to sew edges of material.
イジを縫製する場合に使用
- *04...For piping.
パイピング用
To be used for general piping processes.
一般のパイピング工程に使用
- *05...For piping.
パイピング用
Permits adjustment of the needle position with respect to the pipe.
パイプに対する針の位置が調整出来ます。
- *06...Wide type.
幅広タイプ
To be used when a sewing product cannot be smoothly fed.
縫製物の送りが悪い場合に使用

TABLE OF EXCHANGING GAUGE PARTS (2)

No.	Supply Code	Parts No.	Replacement	Parts name	Remarks	Choice	Step	Level	Cons	Qty	Rep. QTY
1		10711653		FEED FOOT ASM.						1	
2		10711752		FEEDING FOOT (URETHANE)						1	
3		10711851		FEEDING FOOT ASM. RIGHT						1	
4		10711950		FEEDING FOOT ASM.,LEFT						1	
5		10745354		FEEDING FOOT (PIPING) 3MM						1	
6		10745453		FEEDING FOOT (PIPING) 4MM						1	
7		10745552		FEEDING FOOT (PIPING) 5MM						1	
8		10745651		FEEDING FOOT (PIPING) 6MM						1	
9		10746352		FEEDING FOOT (PI- PING) 3MM ADJUSTABLE						1	
10		10746451		FEEDING FOOT (PI- PING) 4MM ADJUSTABLE						1	
11		10746550		FEEDING FOOT (PI- PING) 5MM ADJUSTABLE						1	
12		10746659		FEEDING FOOT (PI- PING) 6MM ADJUSTABLE						1	
13		10712354		FEED FOOT ASM.						1	
14		10712057		FEED FOOT ASM.						1	
15		10712859		FEEDING FOOT, RIGHT						1	
16		10712958		PRESSERFOOT,LEFT						1	
17		10747350		PRESSER FOOT (PIPING) 3MM						1	
18		10747459		PRESSER FOOT (PIPING) 4MM						1	
19		10747558		PRESSER FOOT (PIPING) 5MM						1	
20		10747657		PIPING FOOT 6MM						1	
21		10713055		FEED FOOT ASM.						1	
22		40058070		FEED_DOG						1	
23		40062827		FEED_DOG						1	
24		40064353		FEED_DOG						1	
25		40081022		FEED DOG (NM130)						1	
26		40083237		FEED_DOG(NM140)						1	
27		40058071		THROAT_PLATE						1	
28		10712255		FEED FOOT ASM.						1	
29		10748358		PRESSER FOOT ASM.						1	
30	D	10713253		PRESSER FOOT ASM.						1	
31		MAH152010A0		RULER						1	
32		10735868		FIXING BASE ASM.						1	

LIST FOR INFORMATION OF CHANGE (1)

As to the place changed, refer to the corresponding Rev.No.
 When previous parts(Obsoleted part)and new parts(Added parts)are
 not interchangeable with each other:
 In this case,even obsoleted parts(D.)can be ordered with the
 obsoleted part number,so select the parts with changed dates and
 place your orders.

変更箇所は、該当Rev.No.版をご参照ください。
 部品の互換性がない変更の場合は、削除された品番でも、ご注文できます。

40063939
 No.1495-03 Rev.No.

*A:Added parts追加部品/D:Obsoleted parts削除部品/E:Erratum訂正

* Rev. No.	Page 頁	Ref. No.	Parts No. 品番	* Rev. No.	Page 頁	Ref. No.	Parts No. 品番
				A	03	2	4 TA-0850604-R0
				A	03	2	6 EA-9500B01-00
				A	03	2	52 401-00943
D	02	2	4 400-64238	A	03	2	55 107-74651
				A	03	8	4 401-32152
D	02	8	5 107-09905	A	03	8	5 401-30995
D	02	8	7 107-09905				
				A	03	8	7 401-32151
				A	03	8	10 401-32153
D	02	8	28 107-74305				
D	02	8	30 107-14509	A	03	8	30 401-07949
D	02	8	52 107-15001				
D	02	8	53 SS-6110630-TP				
D	02	8	56 400-52251				
D	02	8	57 107-15704				
D	02	8	58 B1526-527-00G				
D	02	8	74 CQ-2520000-00				
D	02	8	76 CQ-2520000-00				
D	02	8	77 CQ-2520000-00				
D	02	10	42 110-41407	A	03	10	42 229-49101
D	02	18	37 SM-6040802-TP	A	03	18	37 SM-6041002-TP
D	02	21	12 B3126-352-000	A	03	21	12 401-13091
D	02	22	34 B3214-047-000	A	03	22	34 401-13092
D	02	26	1 PA-2502009-00	A	03	26	1 PA-2502006-00
D	02	26	2 PJ-3040651-02	A	03	26	2 PJ-3040605-05
D	02	26	8 SS-7110510-SP				
D	02	26	17 107-37500				
D	02	26	18 400-24865				
D	02	26	19 SS-7110910-TP				
D	02	26	20 400-52249				
D	02	26	21 SS-7110910-TP				
D	02	26	22 107-37708				
D	02	26	23 SD-0550212-TP				
D	02	26	24 107-37807				
D	02	26	25 SS-7110910-TP				
D	02	26	26 107-38755				

HOW TO MAKE USE OF THIS PARTS LIST

1.Explanation of codes

1)"*"mark.....means this part is changed from the previous parts book.

As to the details of the change, refer to the "List for information of change".

2)"#01".....refer to "Note" explanation at bottom of page.

2.Codes on the "Qty" column

- Each numeral indicates the number of parts required.
- "0.1" and "2.5" indicate the length (in meters) of the respective parts.

3.Parentheses mean that the corresponding part is a subpart that constructs an assembly part.

4.Dotted lines on the Figures indicate assembly parts.

5.As to the parts with marks of "☆"(consumable parts) and "◎"(optional parts)on the respective parts, it is recommended to prepare spares.

1 ."注記"欄の記号説明

1) "*"印.....前回のパーツブックに比較して今回変更された部品を意味します。

変更内容は、"変更情報リスト"を参照してください。

2) "#01".....ページ下の"注記"の説明を参照してください。

2.数量欄の数字は、個数を表し、0.1、2.5等の数値は、長さ（単位メートル）を表します。

3.数量欄の（ ）は、組部品を構成している子部品であることを意味します。

4.イラストページの-----枠は、組構成であることを意味します。

5.リストページの"☆"（消耗部品）、"◎"（オプション部品）の印がついた部品は、予備を準備しておくことをお奨めします。

NUMERICAL INDEX OF PARTS

PART NO	PAGE	REF NO.	PART NO	PAGE	REF NO.	PART NO	PAGE	REF NO.
10088003	38	30	10704005	38	19	10710507	12	18
10109809	14	62	10704104	38	29	10710606	12	19
10109809	28	13·18~ 21	10704153	38	28	10710705	12	20
10111201	28	13·18~ 21	10704401	6	1	10710804	12	28
10112506	28	13·18~ 21	10704500	6	2	10710903	14	69
10112605	28	13·18~ 21	10704609	4	44	10710903	20	35
10112704	28	13·18~ 21	10704757	6	6	10711000	12	11
10119907	16	38	10704807	38	20	10711117	12	23
10123701	52	79	10704955	6	8	10711653	62	7
10124204	38	35	10704963	6	10	10711653	66	1
10126803	50	12	10705002	6	12	10711653	68	1
10320109	36	3	10705408	6	17	10711752	66	2
10320208	36	5	10705606	6	30	10711752	68	2
10502300	38	22	10705754	6	29	10711851	66	3
10523702	6	39	10706315	8	53	10711851	68	3
10527901	52	66	10706703	6	16	10711950	66	4
10539906	58	6	10707156	6	37	10711950	68	4
10591709	8	56	10707206	8	46	10712057	66	14
10700508	2	37	10707305	8	48	10712057	68	14
10700706	2	9	10707602	6	40	10712255	68	28
10701209	2	16	10707750	6	41	10712354	66	13
10701308	2	17	10707958	6	42	10712354	68	13
10701654	62	1	10708006	6	45	10712552	62	9
10701803	62	4·5	10708105	10	1	10712552	66	15
10701902	62	6	10708204	10	2	10712651	66	17
10702108	50	45	10708303	6	18	10712750	66	18
10702207	52	65	10708469	10	4	10712859	68	15
10702405	36	7	10708501	10	16	10712958	68	16
10702553	36	2	10708808	10	5	10713055	68	21
10702561	36	1	10708907	10	7	10713253	68	30
10702603	36	4	10708907	12	68	10713501	14	65
10702702	36	21	10708907	14	68	10713766	12	26
10702801	36	22	10709004	2	38	10713808	12	31
10703106	36	26	10709152	10	9	10713907	12	33
10703205	36	24	10709202	10	11	10714004	12	35
10703304	36	17	10709350	10	13	10714103	12	36
10703452	38	13	10709400	10	15	10714202	12	37
10703502	38	1	10709608	10	18	10714301	12	44
10703601	38	3	10709608	12	25	10714400	12	42
10703700	38	4	10709707	12	1	10714806	14	48
10703809	38	14	10710002	14	52	10714905	14	50
10703908	38	5	10710101	14	53	10715258	14	54
			10710200	14	57	10715506	40	9
			10710309	12	8	10715605	40	14
			10710408	12	15	10715704	4	64

NUMERICAL INDEX OF PARTS

PART NO	PAGE	REF NO.	PART NO	PAGE	REF NO.	PART NO	PAGE	REF NO.
10715902	40	11~13	10723906	28	30	10735959	46	5
10716009	40	2	10724201	28	34	10736007	46	11
10716108	40	17	10724706	30	47	10736403	48	2
10716207	40	18	10724805	28	39	10736908	42	31
10716504	14	59	10725000	28	5	10737401	64	32
10716603	40	21	10725158	28	42	10739209	50	35
10717007	40	11~13	10725307	16	8	10739308	28	23·24·28
10717056	40	4~6	10725604	28	44	10739407	28	23·24·28
10717668	20	2	10726107	28	7	10739506	14	70
10717908	20	15	10727105	50	31	10740900	58	2
10718005	20	36	10727154	50	6	10741007	6	14
10718153	20	33	10727162	50	30	10741106	36	16
10718203	20	16	10727204	50	32	10741452	36	6
10718302	40	11~13	10727303	50	34	10741502	36	20
10718351	40	4~6	10728806	42	7	10741601	36	13
10718401	16	53	10728905	42	5	10742005	58	5
10718401	18	53	10729010	42	1	10742302	58	1
10718500	20	43	10729218	42	3	10743003	2	7
10718658	20	8	10729606	42	20	10743151	2	1
10718906	20	11	10729754	42	14	10743201	2	13
10718906	48	8	10729952	42	21	10743300	40	1
10719052	20	18	10730109	42	23	10743656	58	19·20
10719201	20	20	10730513	42	13	10744308	16	24
10719300	20	23	10730703	42	29	10744704	36	8
10719508	20	28	10731404	50	2	10744803	36	9
10719656	20	21	10731701	2	29	10744902	36	11
10719664	20	19	10732204	4	46	10745354	66	5
10719706	20	46	10732402	52	49	10745354	68	5
10719805	22	47	10732600	52	50	10745453	66	6
10719953	20	30	10732709	50	25	10745453	68	6
10719961	20	29	10733004	50	4	10745552	66	7
10720001	20	32	10733103	2	43	10745552	68	7
10720357	16	2	10733509	16	25	10745651	66	8
10720407	16	7	10733608	52	61	10745651	68	8
10720506	16	10	10733707	52	62	10745800	2	40
10720605	16	18	10733806	10	20	10745909	6	20
10721009	16	54	10734119	52	64	10746352	66	9
10721009	18	54	10734309	52	68	10746352	68	9
10721306	16	16	10734606	52	58	10746451	66	10
10721900	16	35	10734853	58	4	10746451	68	10
10722007	16	23	10735306	58	8	10746550	66	11
10722353	28	26	10735801	64	31	10746550	68	11
10722403	28	1	10735868	64	30	10746659	66	12
10723708	28	27	10735868	68	32	10746659	68	12
10723807	28	23·24·28	10735900	46	6	10746709	20	5

NUMERICAL INDEX OF PARTS

PART NO	PAGE	REF NO.	PART NO	PAGE	REF NO.	PART NO	PAGE	REF NO.
10746907	52	78	11020500	6	24	40038722	56	29
10747111	50	29	11020609	6	23	40038723	56	33
10747350	68	17	12939708	34	15	40052240	12	14
10747459	68	18	12939807	34	16	40052241	16	41
10747558	68	19	12939906	34	17	40052242	16	44
10747657	68	20	13707500	20	39	40052244	30	53
10748002	8	57	13737804	18	46	40052246	44	11
10748101	58	17	13755202	16	36	40052251	4	57
10748358	68	29	21054903	50	44	40052252	18	48
10751303	12	38	21337902	44	9	40052253	28	2
10753002	50	36	21379003	58	12	40052254	44	14
10753150	62	4·5	21439500	26	15	40052255	16	1
10754802	6	38	21440508	26	14	40052256	64	5
10754901	2	42	22603203	2	20	40052258	20	4
10755155	58	19·20	22683403	34	10	40052259	42	35
10755205	58	25	22901805	4	50	40052260	40	10
10755403	50	38	22907802	42	17	40052262	64	9
10755502	42	27	22908909	12	29	40052263	12	32
10755601	28	6	22931604	64	11	40052264	42	11
10758456	66	16	22933006	64	2~4	40052266	8	63
10759603	32	21	22933105	64	2~4	40052874	16	33
10759603	64	12	22933204	64	2~4	40058040	24	5
10760304	50	20	22933303	64	16	40058041	26	5
10760502	50	28	22949101	16	42	40058044	26	37
10770402	28	22	22951552	4	47	40058045	26	20
10770501	28	43	26017400	16	43	40058046	26	23
10771251	6	36	40011368	38	11	40058048	26	30
10771269	6	35	40024852	4	66	40058049	62	11
10771301	50	23	40025036	64	24	40058052	20	1
10771509	50	18	40025299	58	11	40058053	48	12
10772952	58	9	40025300	58	14	40058054	16	34
10773000	52	71	40025556	16	45	40058055	48	7
10774305	4	59	40025557	16	13	40058056	44	16
10774354	4	58	40025561	44	2	40058057	54	3
10774404	4	60	40025562	2	26	40058058	26	3
10774602	4	56	40026920	64	28	40058059	26	32
10774651	4	55	40027140	2	10	40058062	24	9
10774701	64	22	40027141	2	22	40058065	34	11
10775500	6	27	40027219	16	9	40058066	34	2
10775609	8	52	40027231	16	40	40058067	34	5
10775658	8	51	40031233	44	4	40058068	34	6
10775807	48	5	40031234	44	6	40058069	34	8
10776656	6	32	40031235	44	7	40058070	68	22
10777308	2	18	40035542	16	14	40058071	62	2
11020401	6	22	40038691	26	7	40058071	68	27

NUMERICAL INDEX OF PARTS

PART NO	PAGE	REF NO.	PART NO	PAGE	REF NO.	PART NO	PAGE	REF NO.
40058134	24	6	40075545	32	13	40102736	64	37
40058135	26	4	40075546	32	8	40103170	56	1
40058136	26	33	40075547	32	5	40103171	56	2
40058142	28	25	40075548	32	4	40103917	54	2
40058144	16	5	40075549	32	16	40107618	56	34
40058145	16	37	40075550	32	10	40107949	12	30
40058148	26	13	40079568	52	74	40108542	4	61
40058149	26	10	40080546	26	39	40113091	36	12
40058150	26	19	40080547	26	40	40113092	38	34
40058151	26	34	40080548	26	41	40130995	12	5
40058153	20	17	40081022	68	25	40132151	12	7
40059035	28	4	40082707	50	41	40132152	12	4
40059049	26	29	40083237	62	14	40132153	12	10
40059559	56	3	40083237	68	26	B1111563000	2	30
40059694	58	22·23	40083922	26	1	B1114280000	16	39
40059695	58	22·23	40083923	26	35	B1148141H00	16	52
40062425	34	1	40083924	24	1	B1148141H00	18	52
40062426	34	13	40083925	24	4	B1150490000	2	32
40062427	34	14	40083926	30	49	B1215804000	28	8
40062428	34	19	40083927	30	50	B1308055000	8	58
40062429	34	20	40083928	28	36	B1309055000	8	60
40062438	34	18	40083929	26	11	B1310055000	8	59
40062827	68	23	40083930	26	25	B1314055000	8	61
40063937	64	8	40083931	26	17	B1504210000	46	13
40063991	28	45	40083932	26	27	B152652700G	4	65
40063992	30	48	40085784	60	2	B1648122000	52	57
40064240	40	4~6	40085785	60	3	B3031141H00	46	10
40064353	68	24	40085786	60	4	B3129012A00	36	10
40064519	6	31	40085787	60	5	B3138512000	2	24
40067331	2	15	40085788	60	6	B3205210000	38	7
40067341	18	47	40085789	60	7	B3207210000	38	16
40075390	32	1	40085790	60	8	B3208210000	38	18
40075527	32	14	40085791	60	9	B3211210000	38	10
40075528	32	17	40085792	60	10	B3216047000	36	14
40075529	32	6	40085793	60	11	B3216047000	38	32
40075530	32	2	40085794	60	12	B3416552000	14	63
40075531	32	18	40085795	60	13	B3510019000	4	45
40075532	32	19	40085796	60	16	B3520245000	50	16
40075533	32	20	40096325	60	14	B3521245000	50	14
40075537	32	15	40096326	60	17	B3525357000	50	42
40075538	32	7	40096327	60	19	B3534012000	50	43
40075539	32	3	40096354	60	1	B3538112000	4	53
40075542	32	9	40099435	48	15	B3538112000	48	24
40075543	32	11	40100943	4	52	B8112220000	58	13
40075544	32	12	40101742	64	29	B8213012000	58	7

NUMERICAL INDEX OF PARTS

PART NO	PAGE	REF NO.	PART NO	PAGE	REF NO.	PART NO	PAGE	REF NO.
B8228125000	50	33	EA9500B0200	52	76	NM6080001SE	48	16
B9101552000	64	1	GAK29009000	56	35	NS6110310SP	36	18
B91210120A0	64	7	GAK29010000	56	4	NS6110310SP	38	31
BP600000000	40	15	GAKA1503000	56	6	NS6110360SP	38	12
BT0200121EB	56	17	HK034610120	46	17	NS6150430SP	40	16
BT0400251EA	52	55	HK034610180	56	5	NS6150430SP	44	13
BT0400251EB	24	20	HK03464000A	56	7	NS6150430SP	48	14
BT0400251EB	56	16	HK03464000B	42	6	NS6150430SP	64	17
BT0500300E0	50	70	HX00150000J	2	35	NS6150540SP	44	3
BT0500300E0	52	70	HX002950000	48	17	NS6150540SP	48	4
BT0600401EB	46	14	HX002950000	56	18	NS6620310SP	64	10
BT0600401EB	56	32	HX00295000A	48	18	PA0800401A0	34	3
BT0600402EA	16	21	HX00295000A	56	19	PA2001508A0	24	2
BT0600402EA	50	53	HX00295000B	24	18	PA250200600	46	1
BT0600402EA	52	53	HX00295000B	56	20	PA320100400	44	18
BT0630520Z0	64	20	HX00295000C	24	19	PA320200300	48	19
BT0800602E0	50	72	HX00295000C	56	21	PA400200300	42	32
BT0800602E0	52	72	HX00295000D	34	23	PC015118E00	44	20
CM300200001	4	51	HX00295000D	56	22	PC015118H00	44	1
CM301200001	2	23	HX00295000F	42	16	PF0552170A0	56	31
CQ200000000	42	12	HX00295000F	56	23	PJ301065104	42	33
CQ202000000	10	24	HX00295000G	42	38	PJ303040006	56	8
CQ202000000	14	61	HX00295000G	56	24	PJ304020302	34	22
CQ202000000	20	42	HX00295000H	46	8	PJ304040504	24	12
CQ202000000	52	67	HX00295000H	56	25	PJ304060505	46	2
CQ252000000	12	12	HX00295000K	44	23	PJ304065101	48	21
CQ252000000	52	48	HX00295000K	56	26	PS0200102KH	38	17
CS0800816SH	26	8	HX00295000L	44	24	PS0300082KH	40	7
CS1201011SH	16	22	HX00295000L	56	9	PS0400322KP	16	17
CS1201011SH	42	25	MA011532000	64	26	PS0500302KH	42	28
CS1501011TH	12	46	MAH152010A0	68	31	PX015101000	48	22
CS1501011TH	14	46	MC321001400	10	8	PX050501000	46	3
CS1501011TH	20	37	MC321001402	64	27	RC0560711KP	12	22
D2430555B00	38	15	MDFRX1600C0	64	6	RC0650811KP	20	13
D2611555B00A	52	52	MTJVH00430A	64	39	RC0650811KP	48	9
D3168555H0B	36	15	MTSP00850B0	64	38	RC0740811KP	14	67
D3168555H0B	38	33	NM6030001SC	58	16	RC0740811KP	44	8
D7101245E00	64	18	NM6030001SN	26	42	RC1200001KP	40	3
D7102245E00	64	19	NM6040001SD	30	52	RC1200001KP	42	9
EA9500B0000	50	75	NM6040001SN	6	44	RE0320000K0	46	9
EA9500B0000	52	75	NM6040003SC	36	23	RE0400000K0	12	13
EA9500B0100	2	68	NM6050001SE	60	24	RE0400000K0	16	56
EA9500B0100	4	68	NM6050001SP	24	7	RE0400000K0	18	56
EA9500B0100	52	54	NM6060001SE	44	15	RE0400000K0	28	14
EA9500B0200	44	27	NM6080001SE	42	37	RE0500000K0	14	64

NUMERICAL INDEX OF PARTS

PART NO	PAGE	REF NO.	PART NO	PAGE	REF NO.	PART NO	PAGE	REF NO.
RE0500000K0	20	45	SM6020452TP	34	12	SM8042012TP	30	51
RE0500000K0	40	8	SM6021000TP	50	37	SM8050502TP	28	46
RE0600000K0	10	12	SM6030602TP	26	43	SM8050512TP	12	40
RO068190100	52	73	SM6030800SP	26	2	SM8050602TP	12	41
RO098240100	28	32	SM6040552TP	62	8	SM8050602TP	38	21
RO118240100	16	55	SM6040802TP	24	16	SM8060552TP	20	31
RO118240100	18	55	SM6040802TP	26	44	SM8060602TP	6	55
RO294310100	6	34	SM6040802TP	62	10	SM8060602TP	8	55
RO312240100	8	50	SM6041002TP	28	37	SM8060602TP	16	26
RO357350100	28	17	SM6041012TP	10	17	SM8061212TP	8	49
SB110000900	28	9	SM6041202TP	26	28	SM8080802TP	6	13
SB110001000	28	10	SM6041802TP	26	18	SM9040653SP	26	22
SB115000400	28	11	SM6044500SP	46	4	SM9081050SE	42	30
SB115000900	28	12	SM6050802TP	24	10	SQ1110401MZ	6	25
SD0470281SP	36	19	SM6050802TP	46	12	SQ1150451MZ	6	26
SD0640322TP	8	62	SM6050802TP	52	51	SQ1150451MZ	28	33
SD0640752TP	24	8	SM6051002TP	12	43	SQ1150501SD	28	38
SD0700332SP	40	20	SM6051402TP	14	55	SQ1680701MZ	52	77
SD0720331SP	42	36	SM6051402TP	16	30	SS1110840SP	28	35
SD0790203SP	42	2	SM6051402TP	26	21	SS2090710TP	34	24
SD0791271SP	44	12	SM6051402TP	28	3	SS2110915SP	62	3
SD0791271SP	48	13	SM6051402TP	42	15	SS5060310SP	34	21
SD0800346TP	48	1	SM6051402TP	46	7	SS5060410SP	26	36
SD0800352SP	44	26	SM6051602TP	64	35	SS5090420SP	36	27
SD0800352SP	48	3	SM6054502TP	24	3	SS5150510SP	58	21
SD0800402TP	48	10	SM6061202TP	42	24	SS6060220SP	26	26
SD0800616TP	24	11	SM6061210SC	42	22	SS6080610TP	28	41
SD0901201TP	42	8	SM6061210SC	50	39	SS6081210SP	52	59
SK3241601SC	58	10	SM6061552TP	20	34	SS6090510TP	2	21
SK3385001SE	56	27	SM6061602TP	12	34	SS6090620TP	38	23
SK3482500SC	58	26	SM6061650TP	20	3	SS6110480SP	2	39
SK3482501SE	56	28	SM6061802TP	44	19	SS6110610TP	16	6
SK3514000SC	64	25	SM6061802TP	48	20	SS6110610TP	26	24
SL4040881SC	4	67	SM6062002TP	26	31	SS6110630TP	4	62
SL4041081SC	64	23	SM6062002TP	30	55	SS6111010TP	62	13
SM1030601SC	34	9	SM6062502TP	16	3	SS6111140SP	4	49
SM1040750TP	62	12	SM6063502TP	64	33	SS6111140SP	28	16
SM1040801SC	10	21	SM6081802TP	42	34	SS6121010SP	2	27
SM3030650SC	6	21	SM6851002TP	34	4	SS6121010SP	14	49
SM3031401SE	58	15	SM8030402TP	8	64	SS6121010SP	36	28
SM4030601SC	28	31	SM8030402TP	20	12	SS6121010SP	42	4
SM4040601SC	52	63	SM8040412TP	26	16	SS6121010SP	50	26
SM4040601SC	64	13	SM8040412TP	44	10	SS6121050SP	12	16
SM4051405SE	60	23	SM8040502TP	8	54	SS6121860SP	16	28
SM4061001SB	56	30	SM8040602TP	38	6	SS6123010SP	2	12

NUMERICAL INDEX OF PARTS

PART NO	PAGE	REF NO.	PART NO	PAGE	REF NO.
SS6151412TP	20	9	SS8660512TP	6	5
SS6151440SP	10	14	SS8660610TP	16	29
SS6151440SP	44	17	SS8660610TP	42	26
SS6151440SP	48	6	SS8660810TP	12	27
SS6152440SP	10	10	SS8661012TP	20	22
SS6621220SP	6	19	SS8681650TP	6	4
SS7080510TP	12	56	TA0750704R0	2	34
SS7080510TP	14	56	TA0850604R0	2	4
SS7090520TP	2	25	TA1050504R0	2	19
SS7090910TP	6	43	TA1250406R0	2	3
SS7090910TP	42	18	TA1250504R0	2	36
SS7110340SP	38	27	TA1450404R0	50	1
SS7110510SP	2	41	TA2050406R0	2	69
SS7110510SP	58	24	TA2050406R0	4	69
SS7110710SP	64	21	WP0320501SC	36	25
SS7110810SP	16	12	WP0320501SC	52	60
SS7110810SP	38	9	WP0320501SC	58	18
SS7110910TP	2	33	WP0371016SD	42	19
SS7110910TP	16	51	WP0430800SC	64	14
SS7110910TP	18	51	WP0450000SD	10	22
SS7111810TP	10	6	WP0450801SD	24	15
SS7120640SP	54	4	WP0450846SP	46	16
SS7120710SP	14	51	WP0520656SA	38	25
SS7121610SP	2	11	WP0531000SE	64	36
SS7121610SP	16	49	WP0531001SC	38	24
SS7121610SP	18	49	WP0531001SC	60	22
SS7620750SP	16	4	WP0621016SD	44	22
SS7621040SP	38	36	WP0621016SD	48	25
SS7681750TP	6	3	WP0621016SD	64	34
SS8080410TP	10	3	WP0621016SH	30	56
SS8080610SP	28	15	WP0641601SD	44	21
SS8090710SP	18	50	WP0641601SD	48	23
SS8110422TP	20	7	WP0651056SH	30	54
SS8110422TP	26	9	WP0651056SH	38	8
SS8111610SP	38	26	WP0740516SP	20	14
SS8120740SP	8	47	WP1221016SP	42	10
SS8120740SP	10	19	WP1612616SE	60	15
SS8120740SP	12	66	WS0410002KN	46	15
SS8120740SP	14	66	WS0410002KN	64	15
SS8120740SP	40	19	WS0510002KN	60	21
SS8150750SP	50	19	WT0530002KS	4	48
SS8150822TP	6	15	WZ1052010KP	4	63
SS8660410SP	12	47			
SS8660410SP	14	47			
SS8660410SP	20	38			