

MODEL : MF-7800D (For export)

List No : 1514-01

# PARTS LIST

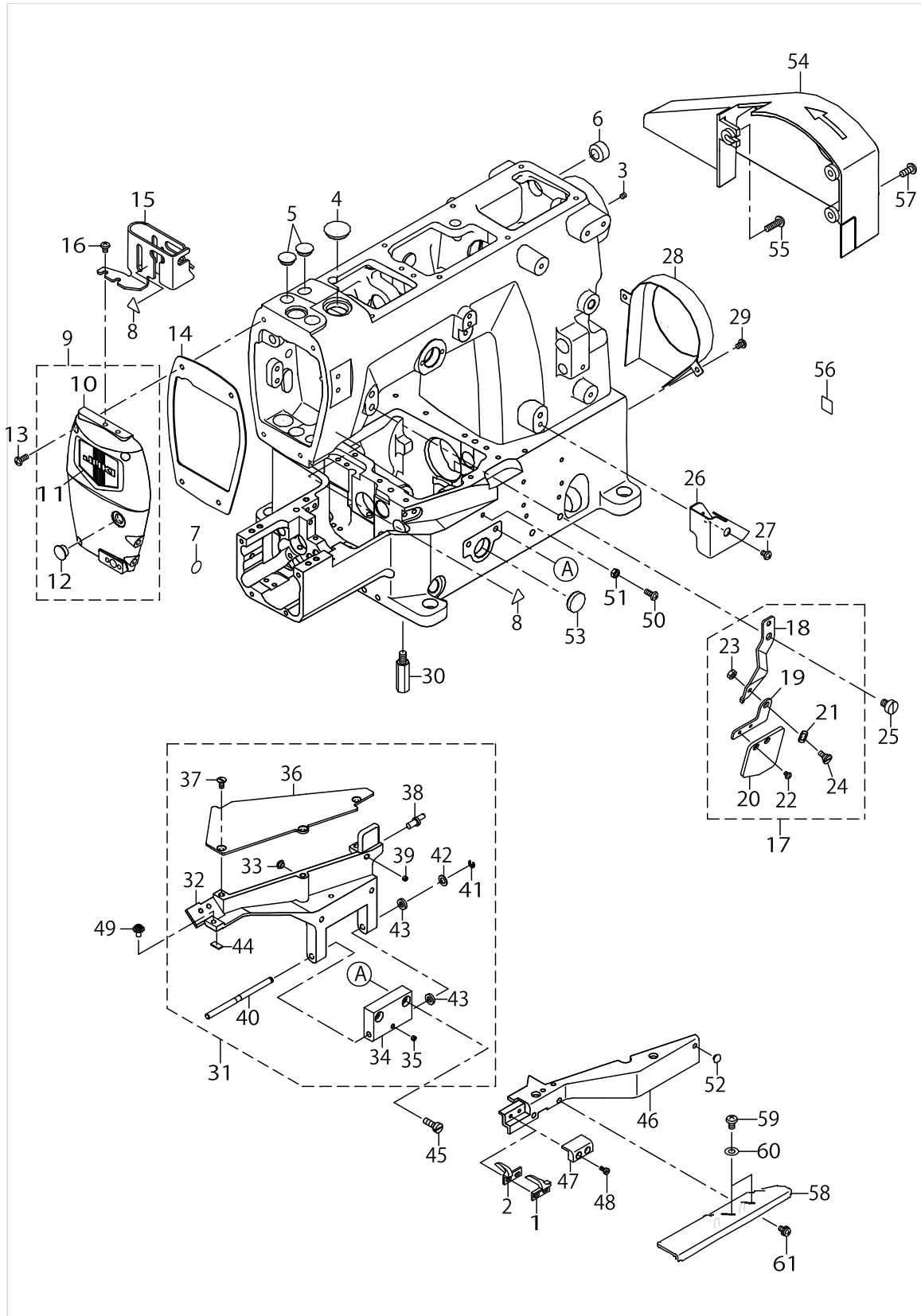
Published:05/12/2017

## CONTENTS

---

FRAME & MISCELLANEOUS COVER COMPONENTS (1) .....	1
FRAME & MISCELLANEOUS COVER COMPONENTS (2) .....	5
MAIN SHAFT COMPONENTS .....	9
NEEDLE BAR & PRESSER COMPONENTS.....	13
FEED DRIVE COMPONENTS (1) .....	17
FEED DRIVE COMPONENTS (2) .....	23
THREAD TAKE-UP LEVER COMPONENTS.....	27
SPREADER COMPONENTS.....	31
LOWER THREAD CAM COMPONENTS.....	33
NEEDLE GUARD COMPONENTS.....	35
LOOPER COMPONENTS .....	37
THREAD TENSION COMPONENTS .....	41
LUBRICATION COMPONENTS .....	43
THREAD STAND COMPONENTS.....	47
GAUGE PARTS COMPONENTS .....	49
NEEDLE COOLING MECHANISM COMPONENTS.....	55
ACCESSORIES PARTS COMPONENTS .....	57
HOW TO MAKE USE OF THIS PARTS LIST .....	59

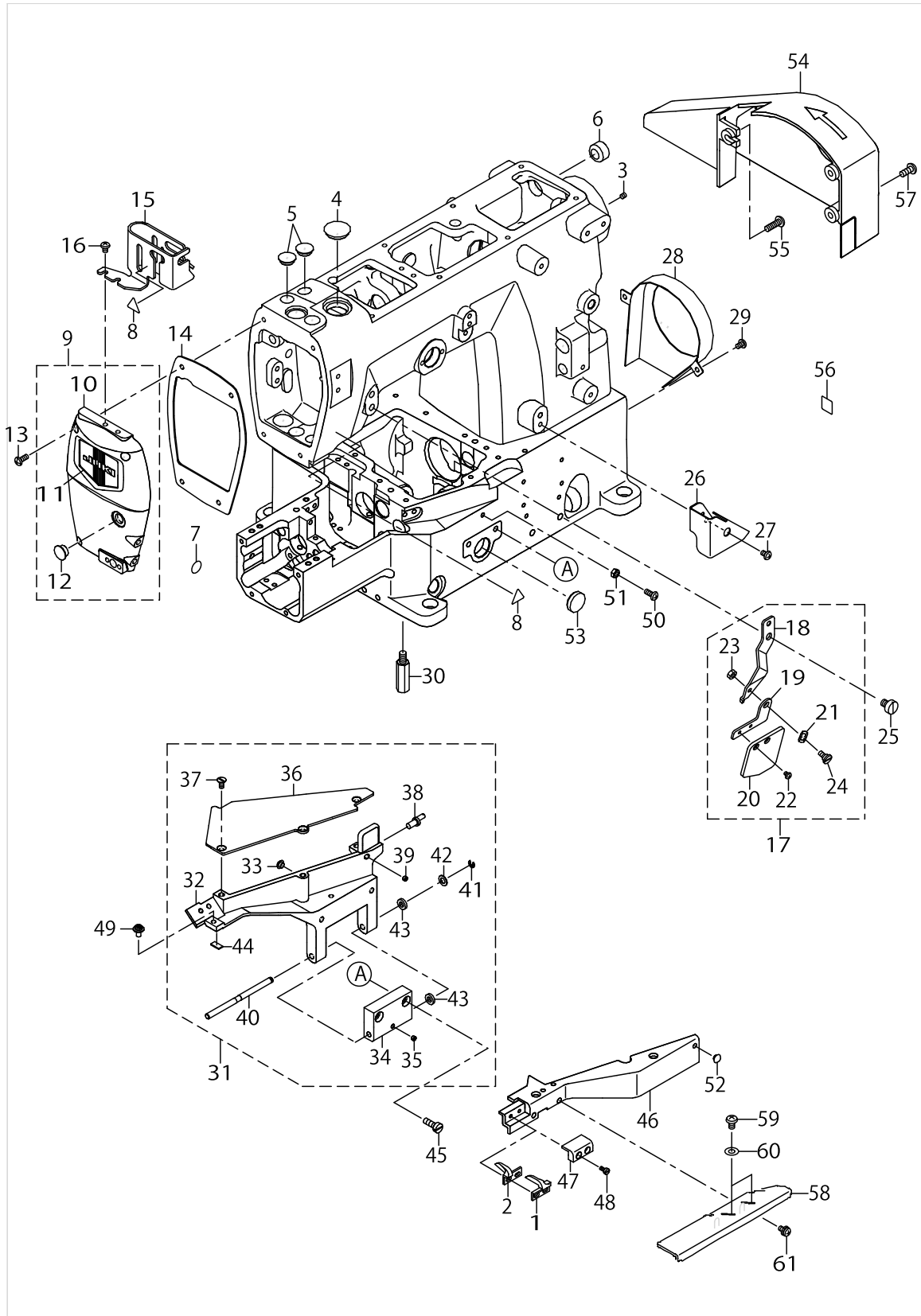
FRAME & MISCELLANEOUS COVER COMPONENTS (1)



FRAME & MISCELLANEOUS COVER COMPONENTS (1)

No.	Supply Code	Parts No.	Replacement	Parts name	Remarks	Choice	Step	Level	Cons	Qty	Rep. QTY
1		13438007		COVERING_GUARD_R	FOR MF-7800-K10					1	
2		13438106		COVERING_GUARD_L	FOR MF-7800-K10					1	
3		SM8040412TP		SET SCREW M4 L=4						3	
4		TA2050406R0		RUBBER PLUG						1	
5		TA1250406R0		RUBBER PLUG D=12.5 L=4						2	
6		TA1701002R0		RUBBER PLUG						1	
7		22901805		GROUND MARK						1	
8		CM300200001		ATTENTION SEAL						2	
9		13300959		ASSY_HEAD_COVER						1	
10		13300900		HEAD COVER				*		1	
11		22902506		FACE PLATE				*		1	
12		TA1050504R0		RUBBER PLUG				*		1	
13		SM4041055SP		SCREW						4	
14		13301007		GASKET H						1	
15		13301304		NEEDLE BAR GUARD						1	
16		SM4040655SP		SCREW M4 L=6						2	
17		40033518		PROTECTION_SHIELD_ASSY						1	
18		40033340		BRACKET HOLDER				*		1	
19		40033341		BRACKET				*		1	
20		13301700		PROTECTION SHIELD				*		1	
21		WZ0641510KP		WAVED WASHER 6.4X11X0.3				*		1	
22		SM4030455SN		SCREW				*		2	
23		NM6040001SP		NUT M4X0.7				*		1	
24		SD0640246SP		HINGE SCREW D=6.35 H=2.4				*		1	
25		SM6060800SP		SCREW M6 L=8						1	
26		13301403		THREAD COVER						1	
27		SM4040655SP		SCREW M4 L=6						1	
28		13302401		LMS_FAN_COVER						1	
29		SM4040655SP		SCREW M4 L=6						2	
30		13301809		SUPPORT STUD						4	
31		13400957		SWING_DOWN_COVER_ASSY						1	
32		13400908		SWING DOWN COVER				*		1	
33		13302302		RUBBER BUMPER				*		1	
34		13401203		HINGE				*		1	
35		SM8040360TP		SCREW				*		1	
36		13401005		CLOTHPLATEFRONT				*		1	
37		SM1040800SP		SCREW				*		3	
38		13402706		PIN FOR COVER				*		1	
39		SM8040360TP		SCREW				*		1	
40		13403506		PIN_FOR_S_D_COVER				*		1	
41		RE0300000K0		E-RING 3				*		1	
42		WP0550800SP		WASHER 5.5X10X0.8				*		1	
43		13302708		RUBBER_WASHER				*		2	
44		13403605		RUBBER_PLATE				*		1	
45		SM6051400SP		SCREW						2	
46		13402904		BRACKET N						1	

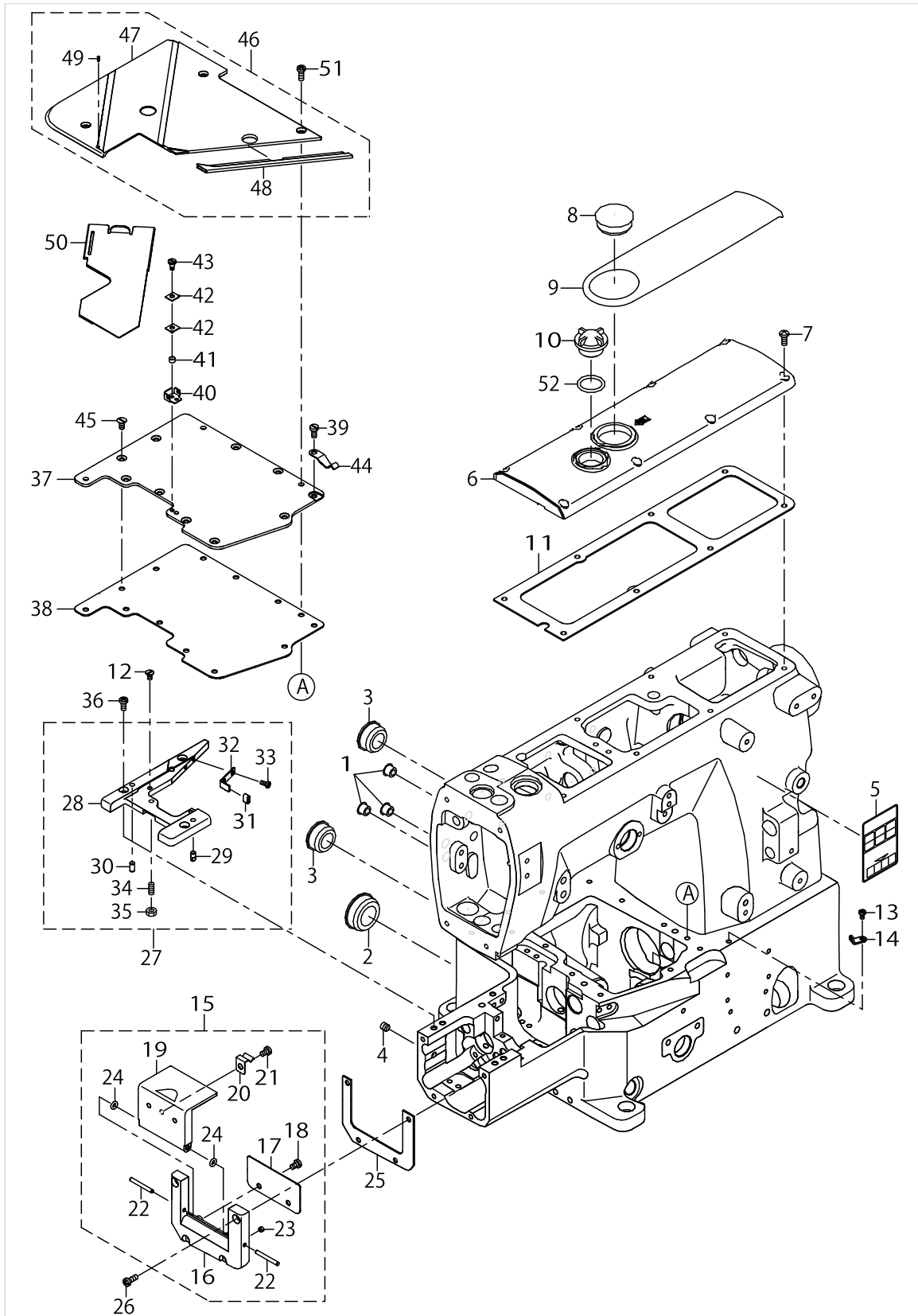
FRAME & MISCELLANEOUS COVER COMPONENTS (1)



FRAME & MISCELLANEOUS COVER COMPONENTS (1)

No.	Supply Code	Parts No.	Replacement	Parts name	Remarks	Choice	Step	Level	Cons	Qty	Rep. QTY
47		13401104		BRACKET	FOR MF-7800D-U10					1	
48		SM6030600SP		SCREW M3X0.5 L=6						2	
49		SL4040805SC		SCREW						2	
50		SM4041055SP		SCREW						1	
51		NM6040001SP		NUT M4X0.7						1	
52		13302302		RUBBER BUMPER						1	
53		TA1900502R0		RUBBER PLUG						1	
54		13302658		DRIVING_BELT_COVER_ASSY						1	
55		SM4051255SP		SCREW.,M5 L=12						1	
56		CM600100101		WEEE MARK LABEL S						1	
57		SM4050855SP		SCREW						2	
58		40022406		BINDER_BRACKET						1	
59		SM5050855SN		SCREW M5 L=8						2	
60		WP0550836SC		WASHER 5.5X12X0.8						2	
61		SL4040805SC		SCREW						2	

FRAME & MISCELLANEOUS COVER COMPONENTS (2)

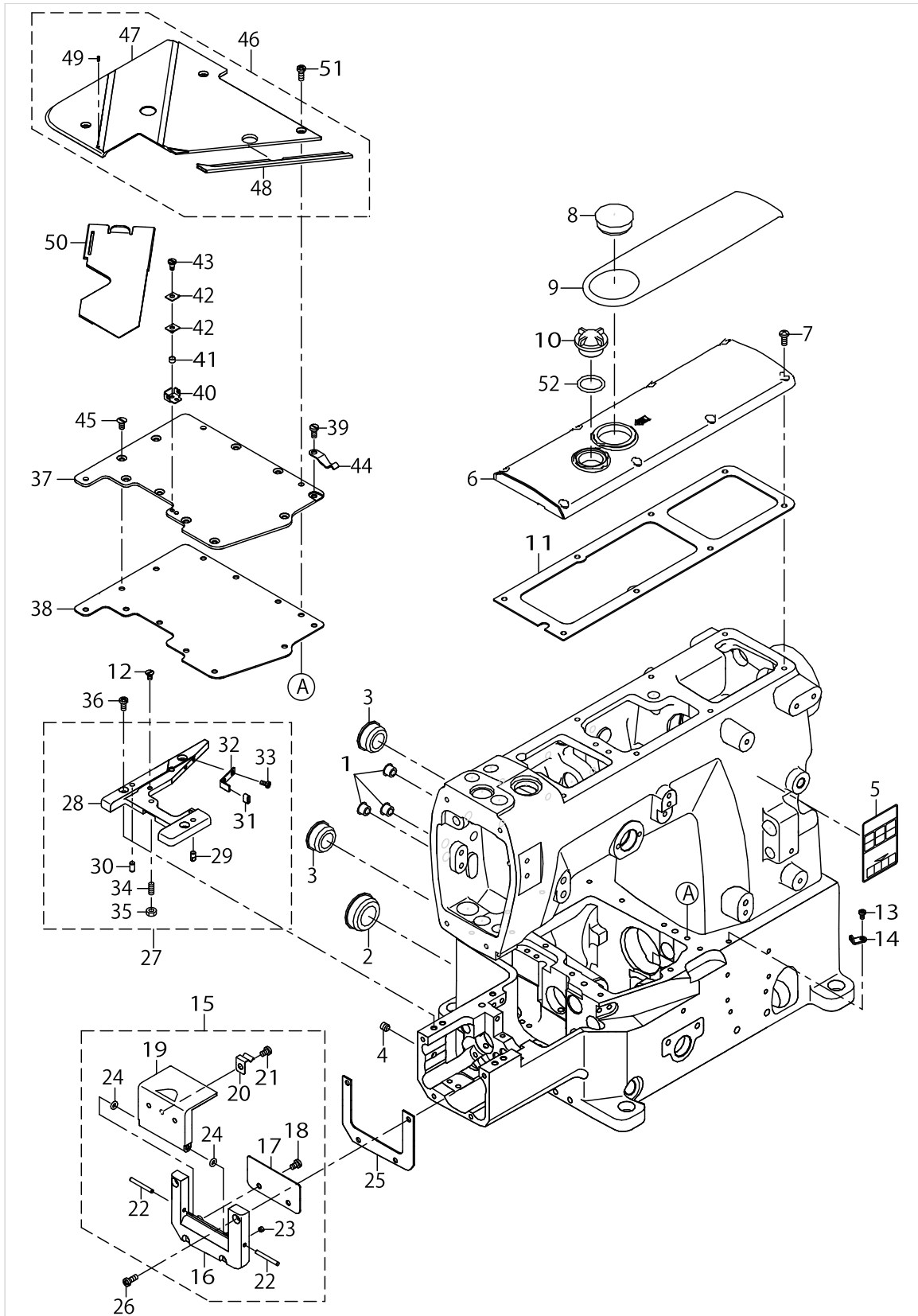


FRAME & MISCELLANEOUS COVER COMPONENTS (2)

No.	Supply Code	Parts No.	Replacement	Parts name	Remarks	Choice	Step	Level	Cons	Qty	Rep. QTY
1		TA0850604R0		RUBBER PLUG						3	
2		10753309		WINDOW PLATE RUBBER PLUG						1	
3		TA2351004R0		RUBBER PLUG						2	
4		SM8060612TP		SCREW M6 L=6						2	
5		CM301200001		SAFETY LABEL_S						1	
6		40081954		TOP_COVER_DRY						1	
7		SM4041055SP		SCREW						8	
8		10753309		WINDOW PLATE RUBBER PLUG						1	
9		40081956		TOP_COVER_PANEL_PRINTING						1	
10		22924708		OIL SIGHT WINDOW						1	
11		13300801		GASKET T						1	
12		13302203		SCREW						2	
13		13402201		LOOPER THD GUIDE						1	
14		SM4040655SP		SCREW M4 L=6						1	
15		13401757		SIDE_COVER_ASSY						1	
16		13401500		CYLINDER COVER				*		1	
17		13401807		CYLINDER COVER PLATE				*		1	
18		SM4040655SP		SCREW M4 L=6				*		2	
19	R	13401708	13401757	SIDE COVER				*		1	1.00
20		13401906		LATCH SPRING 2				*		1	
21		SM4040655SP		SCREW M4 L=6				*		1	
22		PH0300252C0		PARALLEL PIN				*		2	
23		SM8040360TP		SCREW				*		2	
24		RO037180100		RUBBER RING				*		2	
25		13401609		GASKET						1	
26		SM4041055SP		SCREW						4	
27		13400650		ASSY_TP_SUPPORT						1	
28	R	13400601	13400650	THROAT PLATE SUPPORT				*		1	1.00
29		13301908		DOWEL PIN				*		1	
30		13302500		DOWEL PIN 2				*		1	
31		23630007		TUBE				*		0.01	
32		13403407		SLIDE_COVER_SUPPORT				*		1	
33		SM4030655SP		SCREW				*		2	
34		SM8041012TP		SCREW M4 L=10				*		1	
35		NM6040001SP		NUT M4X0.7				*		1	
36		SM4040855SP		SCREW						3	
37		13400700		BED TOP COVER						1	
38		13400809		GASKET B						1	
39		SM6040870SP		SCREW						1	
40		13402300		NIPPER PLATE						1	
41		13402805		SPRING						1	
42		13402409		NIPPER SPRING PLATE						2	
43		13326202		SHOULDER SCREW						1	
44		13402003		LATCH SPRING						1	
45		SM1040860SP		SCREW						9	
46		13401351		CLOTH_PLATE_ASSY						1	



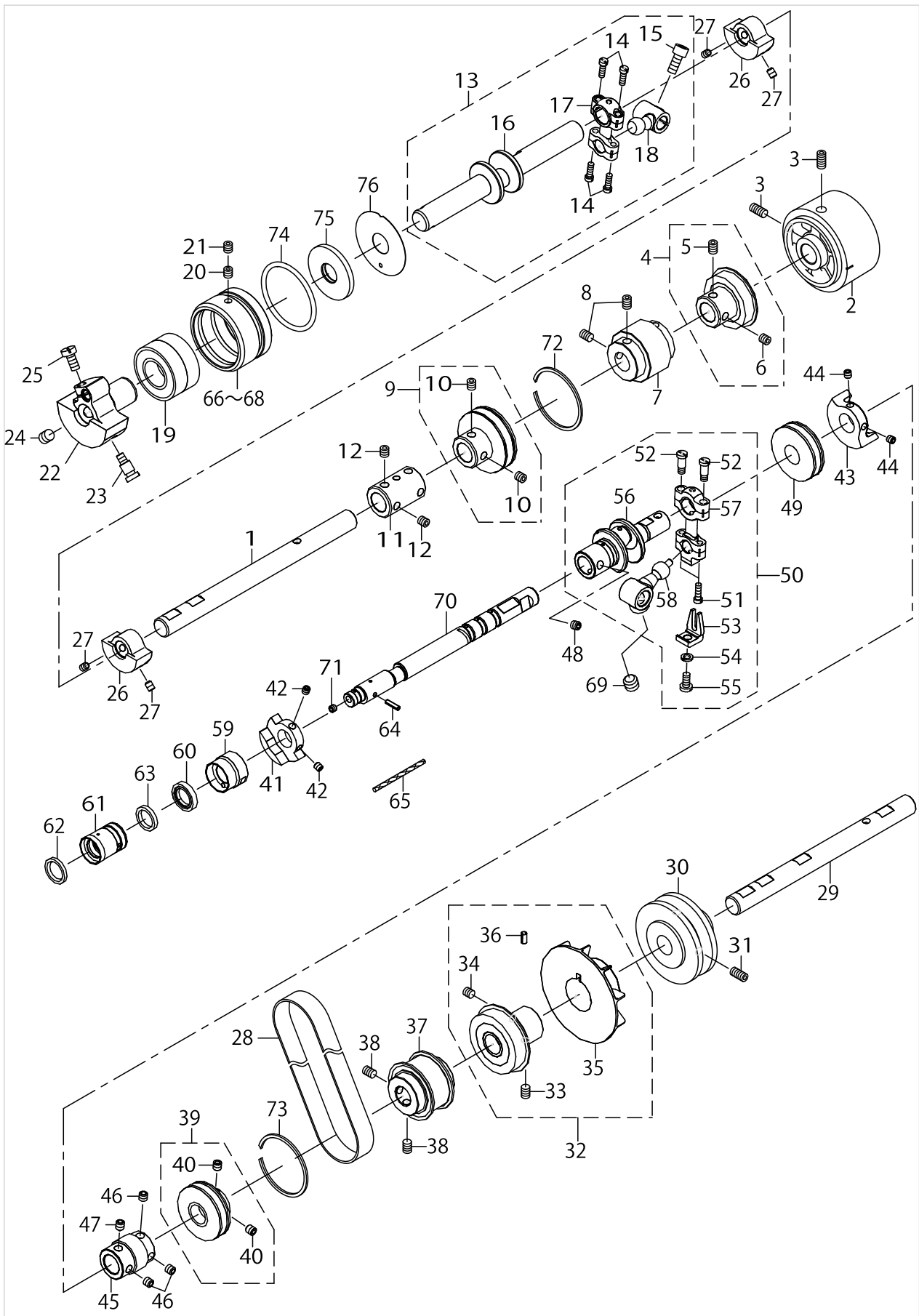
FRAME & MISCELLANEOUS COVER COMPONENTS (2)



FRAME & MISCELLANEOUS COVER COMPONENTS (2)

No.	Supply Code	Parts No.	Replacement	Parts name	Remarks	Choice	Step	Level	Cons	Qty	Rep. QTY
47	R	13401302	13401351	CLOTH PLATE REAR				*		1	1.00
48	R	13402102	13401351	THD GUIDE				*		1	1.00
49		PS0150042K0		SPRING PIN 1.5X 4				*		1	
50		13401401		SLIDE COVER						1	
51		SM4041055SP		SCREW						3	
52		RO195240100		RUBBER RING						1	

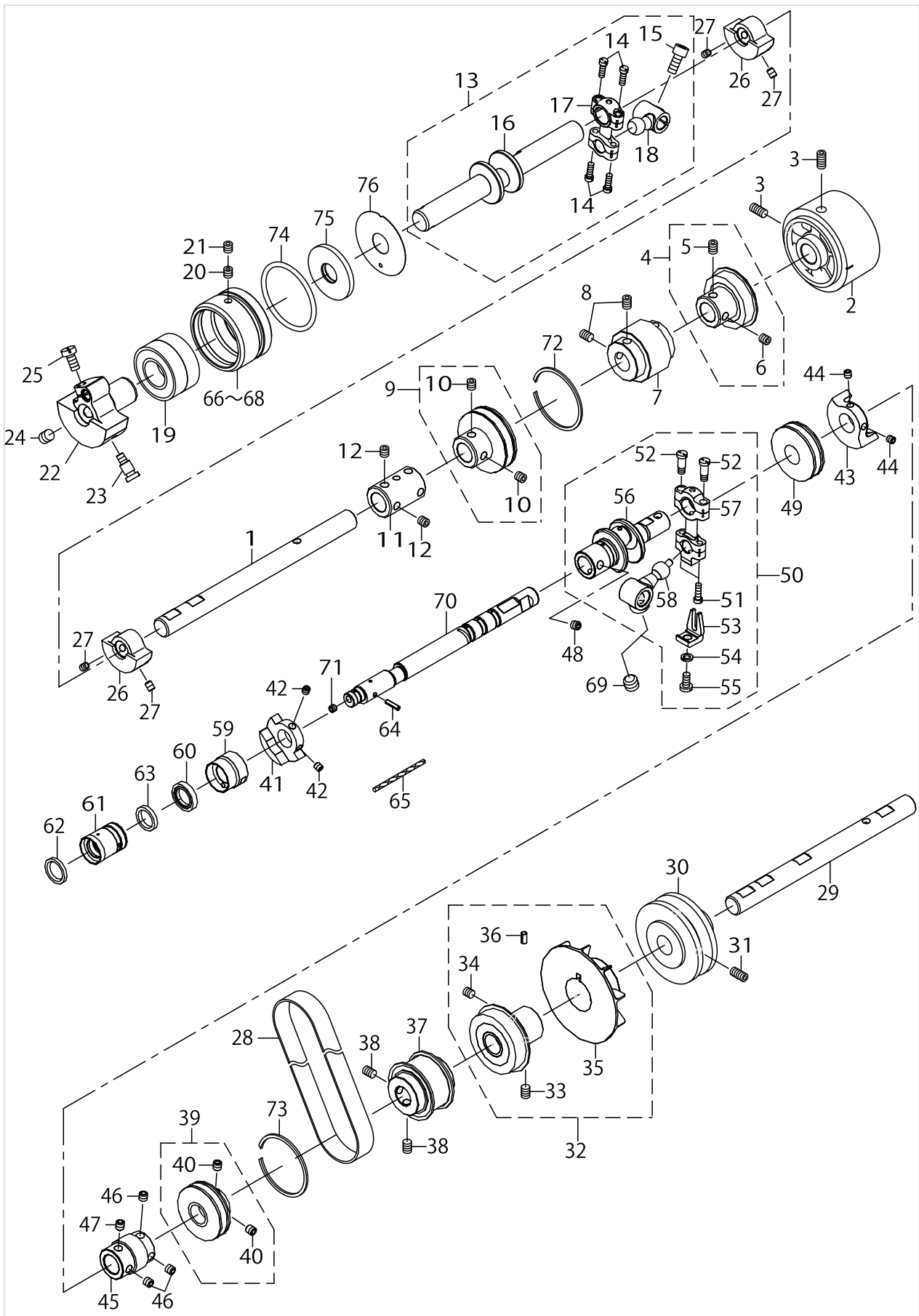
MAIN SHAFT COMPONENTS



MAIN SHAFT COMPONENTS

No.	Supply Code	Parts No.	Replacement	Parts name	Remarks	Choice	Step	Level	Cons	Qty	Rep. QTY
1		13307004		UPPER MAINSHAFT RIGHT						1	
2		13406608		UPPER_PULLEY						1	
3		SM8061212TP		SCREW M6X12						2	
4		13307251		BEARING ASSY A						1	
5		SM8060842TP		SCREW M6 L=8				*		1	
6		SM8060612TP		SCREW M6 L=6				*		1	
7		13307301		UMS_SPROCKET						1	
8		SM8060812TP		SCREW M6 L=8						4	
9		13307459		BEARING ASSY B						1	
10		SM8060612TP		SCREW M6 L=6				*		2	
11		13307509		JOINT						1	
12		SM8060612TP		SCREW M6 L=6						4	
13		40078283		UMS_LEFT_ROD_ASSY						1	
14		13324108		SCREW				*		4	
15		SM6061402TP		SCREW M6 L=14				*		1	
16	R	40078284	40078283	UPPER_MAINSHAFT_LEFT				*		1	1.00
17	R	13324009	13307657	ROD				*		1	1.00
18	R	13324207	13307657	CRANK				*		1	1.00
19		SB120001900		BEARING						1	
20		SM8060842TP		SCREW M6 L=8						1	
21		SM8060612TP		SCREW M6 L=6						1	
22	D	40078277		COUNTER_WEIGHT						1	
23		13309208		SCREW_FOR_COUNTERWEIGHT						1	
24		SM8080812TP		SCREW M8X8						1	
25		SM6061200SP		SCREW						1	
26		13408307		BALANCE_WEIGHT_UMS						2	
27		SM8060812TP		SCREW M6 L=8						4	
28		13406905		TIMING_BELT						1	
29		13407101		LOWER MAINSHAFT RIGHT						1	
30		13406707		LOWER_PULLEY						1	
31		SM8061212TP		SCREW M6X12						2	
32		13309158		BEARING_ASSY_F						1	
33		SM8060842TP		SCREW M6 L=8				*		1	
34		SM8060612TP		SCREW M6 L=6				*		1	
35		13309000		LMS_FAN				*		1	
36		PS0400082KP		SPRING PIN				*		1	
37		13308309		LMS_SPROCKET						1	
38		SM8060812TP		SCREW M6 L=8						4	
39		13407457		BEARING_ASSY_E						1	
40		SM8060612TP		SCREW M6 L=6				*		2	
41		13408406		BALANCE_WEIGHT_LMS_1						1	
42		SM8050512TP		SCREW						2	
43		13408505		BALANCE_WEIGHT_LMS_2						1	
44		SM8050512TP		SCREW						2	
45		13407507		JOINT GEAR						1	
46		SM8060552TP		SCREW M6 L=5						3	

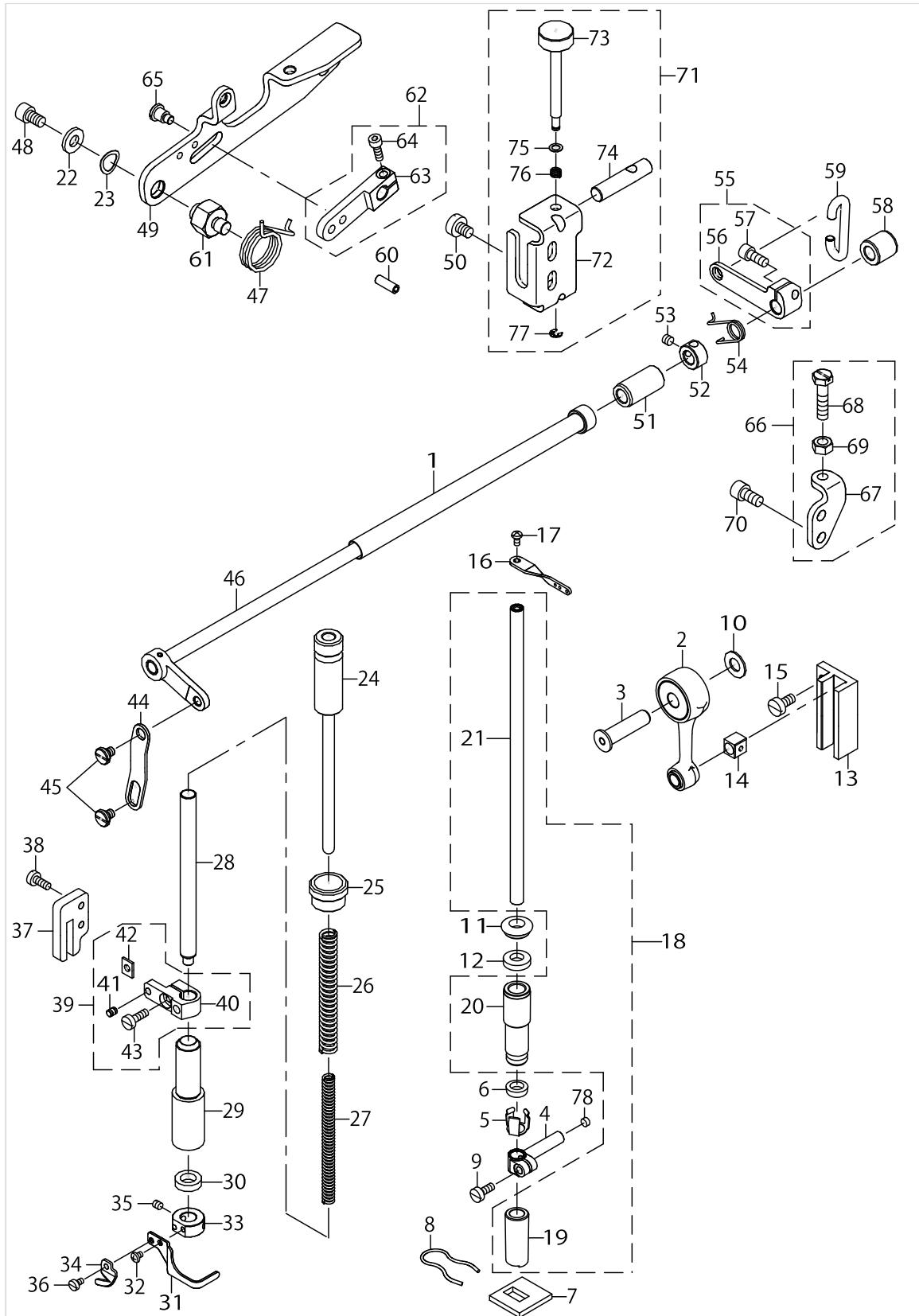
# MAIN SHAFT COMPONENTS



MAIN SHAFT COMPONENTS

No.	Supply Code	Parts No.	Replacement	Parts name	Remarks	Choice	Step	Level	Cons	Qty	Rep. QTY
47		SM8060842TP		SCREW M6 L=8						1	
48		SM8060552TP		SCREW M6 L=5						2	
49		SB115002300		BEARING						1	
50		13407259		CRANK_JOINT_ROD_ASSY						1	
51		13324108		SCREW				*		2	
52		SD0550906TP		SHOULDER SCREW				*		2	
53	R	13337100	13308150	GUIDE LOOPER ROD				*		1	1.00
54		WS0510002KP		SPRING WASHER 5.1X9.2X1.3				*		1	
55		SM4051055SP		SCREW				*		1	
56		13407200		CRANK JOINT				*		1	
57		13424205		ROD				*		1	
58		13424106		CRANK				*		1	
59		40064975		BUSHING_LMS_MIDDLE						1	
60		13408703		OIL_SEAL						1	
61		13407804		BUSHING LMS LEFT						1	
62		13407903		OIL SEAL						1	
63		13408604		FELT_LMS_LEFT_BUSH						1	
64		PS0300122KH		SPRING PIN 3X12						1	
65		CQ300000001		OIL WICK						.05	
66		40078278		HOUSING_A	SELECTIVE PARTS					1	
67		40078279		HOUSING_B	SELECTIVE PARTS					1	
68		40078280		HOUSING_C	SELECTIVE PARTS					1	
69		SM8550952TP		SCREW						1	
70		13407606		LOWER MAINSHAFT LEFT						1	
71		SM8050412TP		SCREW M5 L=4						1	
72		RC4881514KP		C-RING						1	
73		RC4381514KP		C-RING						1	
74		RO445300100		RUBBER RING						1	
75		40078282		OIL SEAL						1	
76		40081965		OIL_BLOCK_PLATE						1	

# NEEDLE BAR & PRESSER COMPONENTS

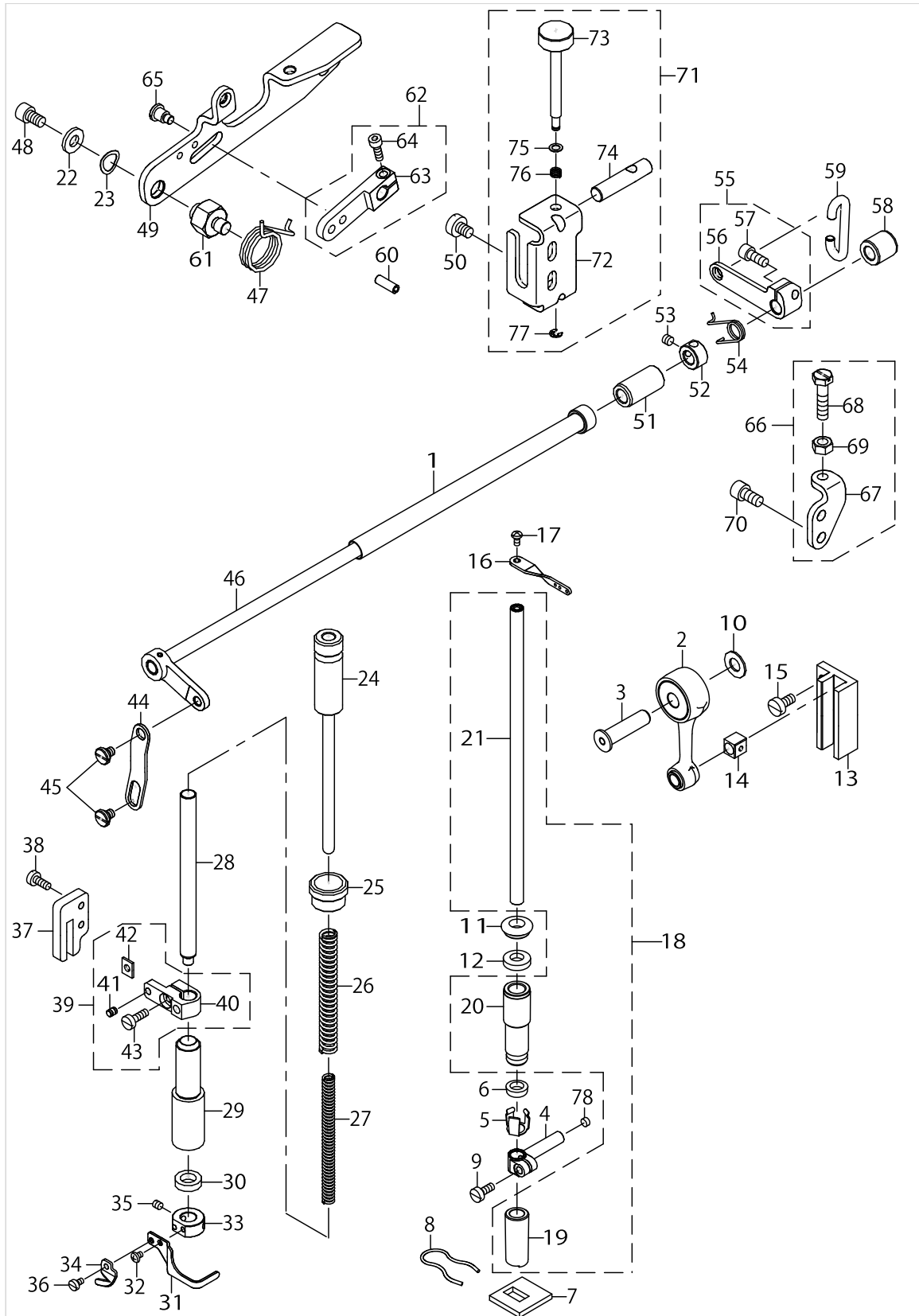


NEEDLE BAR & PRESSER COMPONENTS

No.	Supply Code	Parts No.	Replacement	Parts name	Remarks	Choice	Step	Level	Cons	Qty	Rep. QTY
1		40078320		PIPE_ASSY						1	
2		40078285		ASSY_NEEDLE_CRANK_ROD						1	
3		40078290		NEEDLE_CRANK						1	
4		40078292		NEEDLE_BAR_CLAMP						1	
5		40078306		BUSHING_NB_U_PRESSER_B						1	
6		40078303		BUSHING_NB_U_FELT_B						1	
7		40078301		BUSHING_NB_L_FELT						1	
8		40078304		BUSHING_NB_L_PRESSER						1	
9		SM6041000SP		SCREW M4 L=10						1	
10		40078291		WASHER						1	
11		40078305		BUSHING_NB_U_PRESSER_A						1	
12		40078302		BUSHING_NB_U_FELT_A						1	
13		40078294		NEEDLE_BAR_GUIDE						1	
14		40078295		SLIDE_BLOCK						1	
15		SM6051000SP		SCREW						3	
16		13326806		NEEDLE BAR EYELET						1	
17		SM4030655SP		SCREW						1	
18		40078317		ASSY_BUSHING_NB_DRY						1	
19		40078299		BUSHING_NB_LOWER				*		1	
20		40078300		BUSHING_NB_UPPER				*		1	
21	R	40078296	40078317	NEEDLE BAR ASSY				*		1	1.00
22		WP0702026SP		WASHER 7X15X2						1	
23		WZ1052010KP		WAVED WASHER						1	
24		40070573		ADJ SCREW P B ASSY						1	
25	R	13313101	13313068	LOCKING NUT						1	1.00
26		13313309		SPRING PRESSER BAR A						1	
27		13313408		SPRING PRESSER BAR B						1	
28		40070559		PRESSER BAR						1	
29		13313705		BUSHING PRESSER BAR						1	
30		13315908		OIL SEAL						1	
31		40018259		FINGER_GUARD						1	
32		SM4030455SP		SCREW						1	
33		13313606		COLLAR						1	
34		13316302		THREAD_TRIMMER						1	
35		SM8040410TP		SCREW						2	
36		SM6030500SN		SCREW M3 L=5						1	
37		13313804		GUIDE PLATE						1	
38		SM6041000SP		SCREW M4 L=10						2	
39		13313952		P_B_BRACKET_ASSY						1	
40	R	13313903	13313952	PRESSER BAR BRACKET				*		1	1.00
41		13316203		P_B_BRACKET_PIN				*		1	
42		13333208		WASHER				*		1	
43		SM6041200SP		SCREW M4 L=12				*		1	
44		13314109		LINK						1	
45		SD0700206TP		SHOULDER SCREW						2	
46		40078307		ASSY_LIFTER_SHAFT_DRY						1	



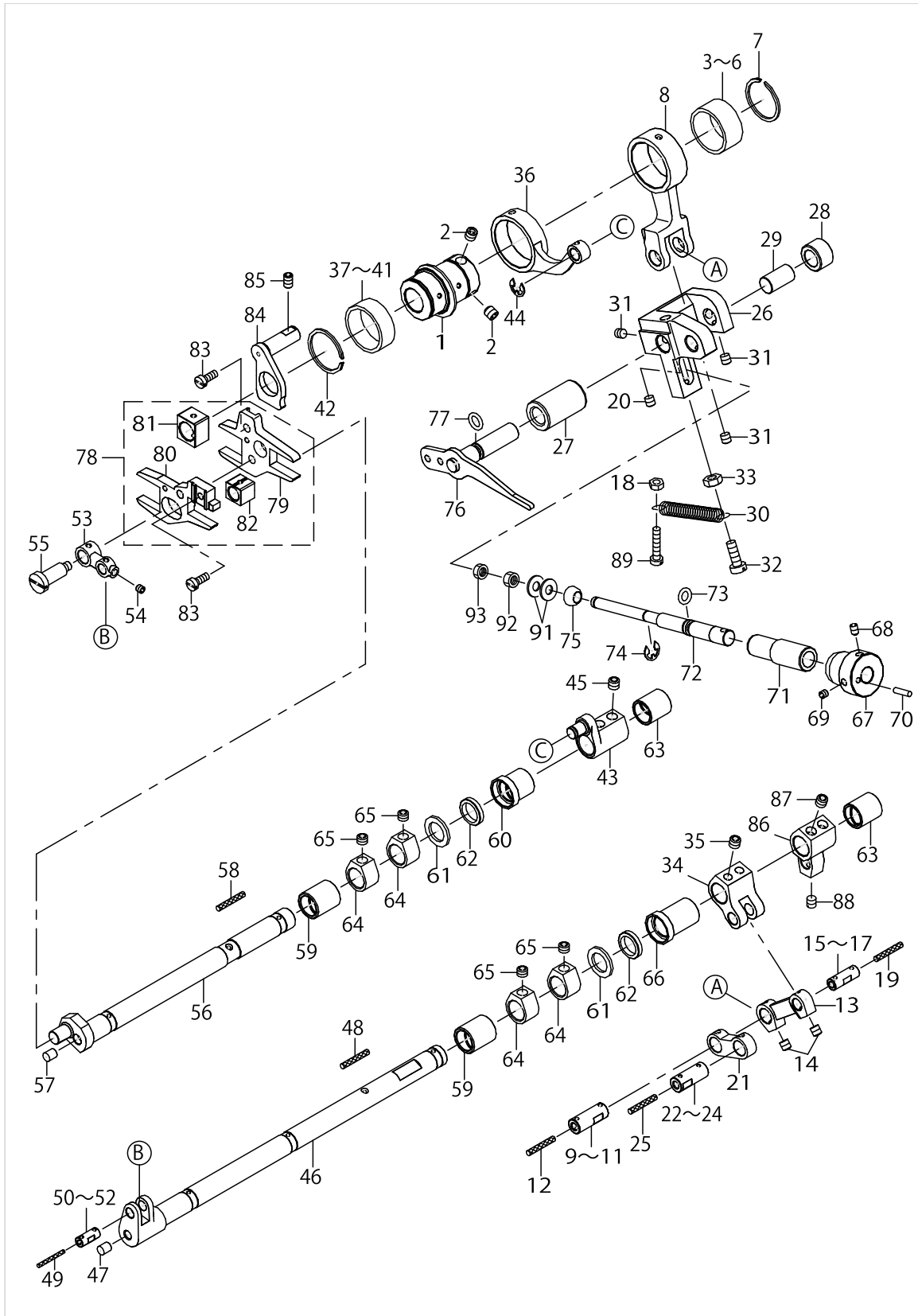
# NEEDLE BAR & PRESSER COMPONENTS



NEEDLE BAR & PRESSER COMPONENTS

No.	Supply Code	Parts No.	Replacement	Parts name	Remarks	Choice	Step	Level	Cons	Qty	Rep. QTY
47		13315205		SPRING LIFTER LEVER						1	
48		SM6061002TP		SCREW M6 L=10						1	
49		13315007		LIFTER LEVER						1	
50		SM6060800SP		SCREW M6 L=8						1	
51		13314406		BUSHING LIFTER FRONT						1	
52		CS0800881TP		THRUST COLLAR						1	
53		SM8050412TP		SCREW M5 L=4						2	
54		13314802		SPRING PF LIFT						1	
55		13314752		LIFTER_SHAFT_LEVER_ASSY						1	
56		13314703		LIFTER SHAFT LEVER				*		1	
57		SM6051202TP		SCREW M5X0.8 L=12				*		1	
58		13314505		BUSHING LIFTER REAR						1	
59		13314901		LIFTER HOOK						1	
60		PS0500142KP		SPRING PIN						1	
61		13315106		LIFTER LEVER HOLDER						1	
62		13315353		TENS_RELEASE_LEVER_ASSY						1	
63		13315304		TENSION RELEASE LEVER				*		1	
64		SM6041202TP		SCREW M4X0.7 L=12				*		1	
65		SD0700586TP		SHOULDER SCREW						1	
66		13315551		STOPPER_ASSY						1	
67		13315502		LIFTER LEVER STOPPER				*		1	
68		SM9062550TP		SCREW				*		1	
69		NM6060001CP		NUT M6				*		1	
70		SM6061202TP		SCREW M6 L=12						2	
71		13315650		MINUTE_LIFTING_ASSY						1	
72		13315601		BRACKET				*		1	
73		13315700		SCREW				*		1	
74		13315809		SLIDER				*		1	
75		WP0460556SD		WASHER 4.6X7.5X0.5				*		1	
76		13123302		ADJUSTING SPRING				*		1	
77		RE0300000K0		E-RING 3				*		1	
78		40078293		PLUG						1	

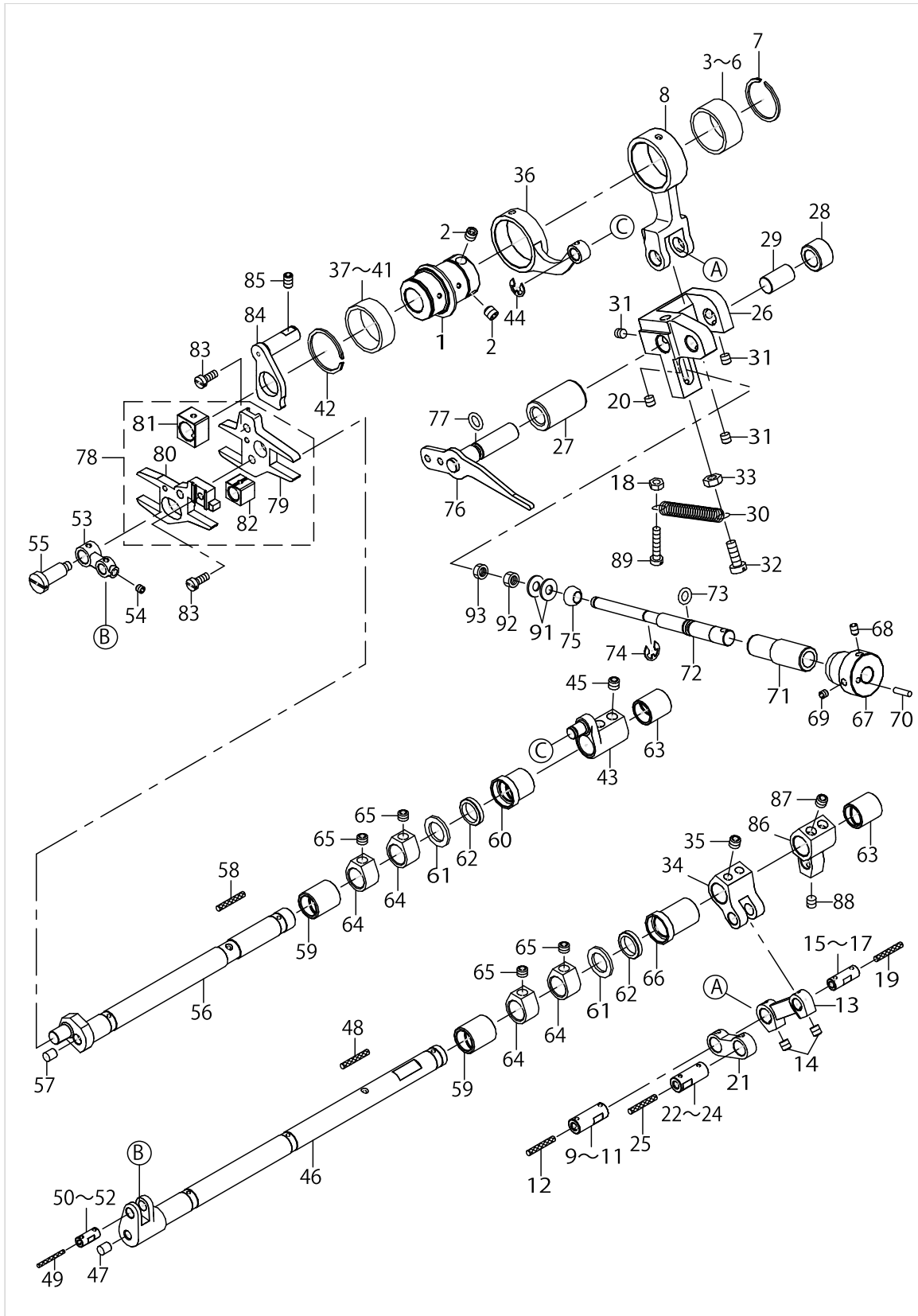
FEED DRIVE COMPONENTS (1)



FEED DRIVE COMPONENTS (1)

No.	Supply Code	Parts No.	Replacement	Parts name	Remarks	Choice	Step	Level	Cons	Qty	Rep. QTY
1		13410006		FEED ECCENTRIC						1	
2		SM8060612TP		SCREW M6 L=6						2	
3		B1426180A00		NEEDLE BEARING (A)	SELECTIVE PARTS					1	
4		B1426180B00		NEEDLE BEARING (B)	SELECTIVE PARTS					1	
5		B1426180C00		NEEDLE BEARING (C)	SELECTIVE PARTS					1	
6		B1426180D00		NEEDLE BEARING (D)	SELECTIVE PARTS					1	
7		RC2251213KP		C-RING						1	
8		13410105		CRANK_ROD						1	
9		13323308		FEED_ADJ_LINK_PIN_A	SELECTIVE PARTS					1	
10		13323407		FEED_ADJ_LINK_PIN_B	SELECTIVE PARTS					1	
11		13323506		FEED_ADJ_LINK_PIN_C	SELECTIVE PARTS					1	
12		CQ303000000		OIL WICK						.07	
13		13410204		MAIN ADJ LINK						1	
14		SM8050512TP		SCREW						2	
15		13318704		MAIN FEED CRANK PIN A	SELECTIVE PARTS					1	
16		13318803		MAIN FEED CRANK PIN B	SELECTIVE PARTS					1	
17		13318902		MAIN FEED CRANK PIN C	SELECTIVE PARTS					1	
18		NM6040001SP		NUT M4X0.7						1	
19		CQ303000000		OIL WICK						.04	
20		SM8050512TP		SCREW						1	
21		13317300		ADJUST LINK						1	
22		13410600		FEED ADJ LINK PIN A	SELECTIVE PARTS					1	
23		13410709		FEED ADJ LINK PIN B	SELECTIVE PARTS					1	
24		13410808		FEED ADJ LINK PIN C	SELECTIVE PARTS					1	
25		CQ303000000		OIL WICK						.07	
26		13415708		FEED_ADJ_BLOCK						1	
27		13411004		BUSHING MAIN FEED ADJ						1	
28		13415807		BUSHING_MAIN_FEED_ADJ						1	
29		13415906		SHAFT_FEED_ADJ_BLOCK						1	
30		B2546232000		PRESSURE SPRING						1	
31		SM8050512TP		SCREW						4	
32		SM6051400SP		SCREW						1	
33		NM6050001SP		NUT M5						1	
34		13411509		MAIN_FEED_CRANK						1	
35		SM8060552TP		SCREW M6 L=5						2	
36		13414305		FEED LIFT ROD						1	
37		12116604		NEEDLE BEARING	SELECTIVE PARTS					1	
38		12116703		NEEDLE BEARING B	SELECTIVE PARTS					1	
39		12116802		NEEDLE BEARING..C.	SELECTIVE PARTS					1	
40		12116901		NEEDLE BEARING..D.	SELECTIVE PARTS					1	
41		12117008		NEEDLE BEARING..E.	SELECTIVE PARTS					1	
42		B1248280000		STOP RING						1	
43		13414404		FEED LIFT LEVER						1	
44		RE0500000K0		E-RING						1	
45		SM8060552TP		SCREW M6 L=5						2	
46		13411608		MAIN FEED SHAFT						1	

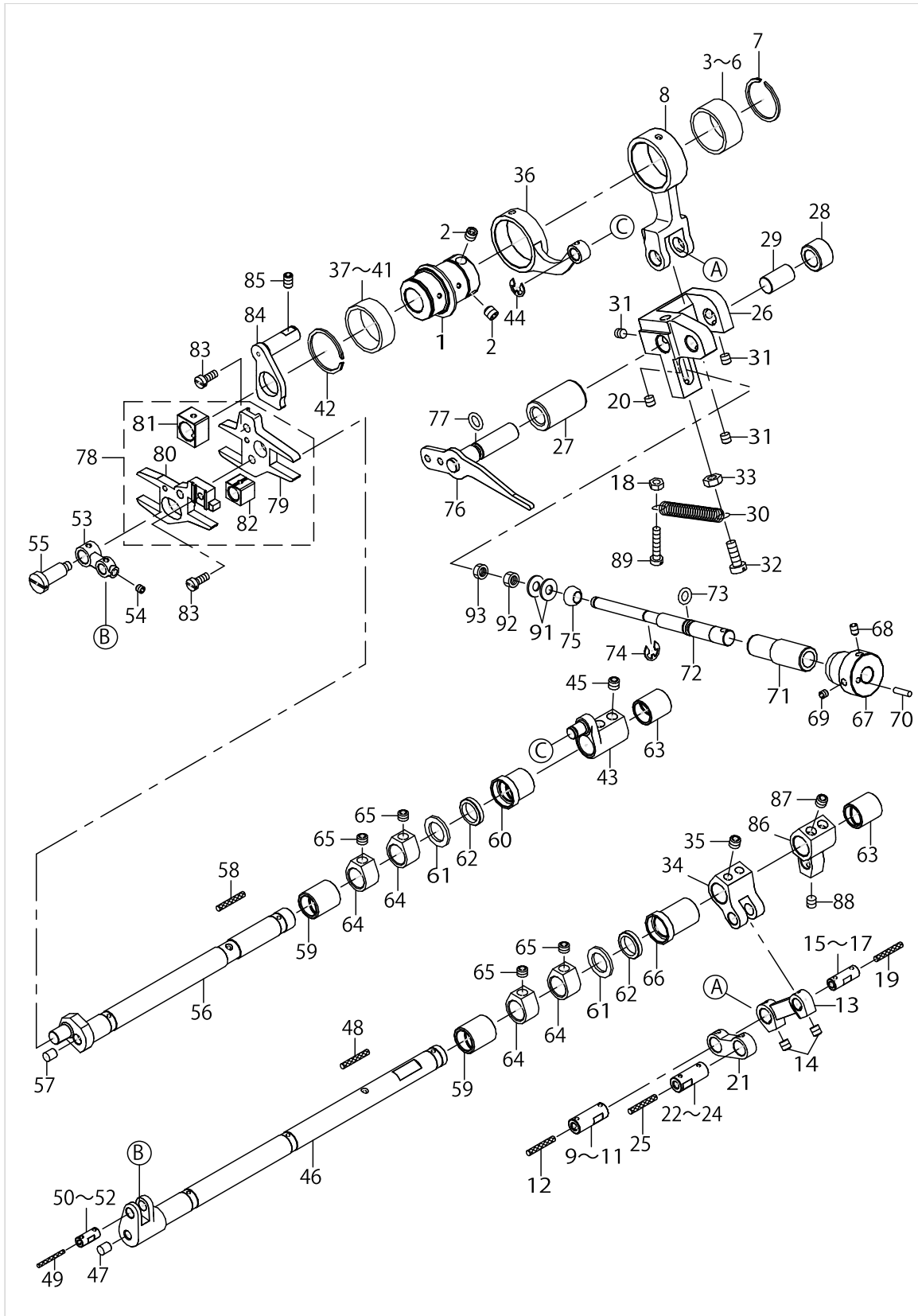
FEED DRIVE COMPONENTS (1)



FEED DRIVE COMPONENTS (1)

No.	Supply Code	Parts No.	Replacement	Parts name	Remarks	Choice	Step	Level	Cons	Qty	Rep. QTY
47		TA0500601M0		PLUG D=5X5.4 L=6						1	
48		CQ300000001		OIL WICK						1	
49		CQ202000000		OIL WICK						.6	
50		13412002		MAIN FEED LINK PIN A	SELECTIVE PARTS					1	
51		13412101		MAIN FEED LINK PIN B	SELECTIVE PARTS					1	
52		13412200		MAIN FEED LINK PIN C	SELECTIVE PARTS					1	
53		13411905		MAIN FEED LINK						1	
54		SM8040412TP		SET SCREW M4 L=4						1	
55		SD0801636TH		SHOULDER SCREW						1	
56		13414503		FEED LIFT SHAFT						1	
57		TA0500601M0		PLUG D=5X5.4 L=6						1	
58		CQ300000001		OIL WICK						.67	
59		13411707		BUSHING FEED MECH						2	
60		13409206		BUSHING_FEED_MECH						1	
61		13409107		WASHER						2	
62		E3025721000		OIL SEAL						2	
63		13415500		BUSHING_FEED_MECH						2	
64		13411806		COLLAR						4	
65		SM8060412TP		SCREW						4	
66		13408802		BUSHING_FEED_MECH						1	
67		13318001		KNOB FEED ADJUST						1	
68		SM8040602TP		SCREW M4X0.7 L=6						1	
69		SM8040412TP		SET SCREW M4 L=4						1	
70		B3215470000		PIN						1	
71		13411400		BUSHING FEED ADJ						1	
72		13411301		SHAFT FEED ADJ						1	
73		RO055200100		RUBBER RING						1	
74		RE0500000K0		E-RING						1	
75		13318308		STOPPER FEED ADJUST						1	
76		13411152		INDICATOR ASSY						1	
77		RO068190100		RUBBER RING						1	
78		13413950		FEED_BAR_ASSY						1	
79		13413901		MAIN FEED BAR					*	1	
80	R	13414008	13413950	DIFF FEED BAR					*	1	1.00
81		13413703		SLIDE BLOCK 1					*	1	
82		13413802		SLIDE BLOCK 2					*	1	
83		SM6041000SP		SCREW M4 L=10						2	
84		13414107		FEED BAR GUIDE 1						1	
85		SM8050812TP		SCREW M5X8						1	
86		13413307		DIFF_FEED_CRANK						1	
87		SM8060552TP		SCREW M6 L=5						2	
88		SM8050512TP		SCREW						1	
89		SM6042000SP		SCREW						1	
90		NM6040001SP		NUT M4X0.7						1	
91		13120605		WASHER						2	
92		NM6050001SC		NUT M5						1	

FEED DRIVE COMPONENTS (1)

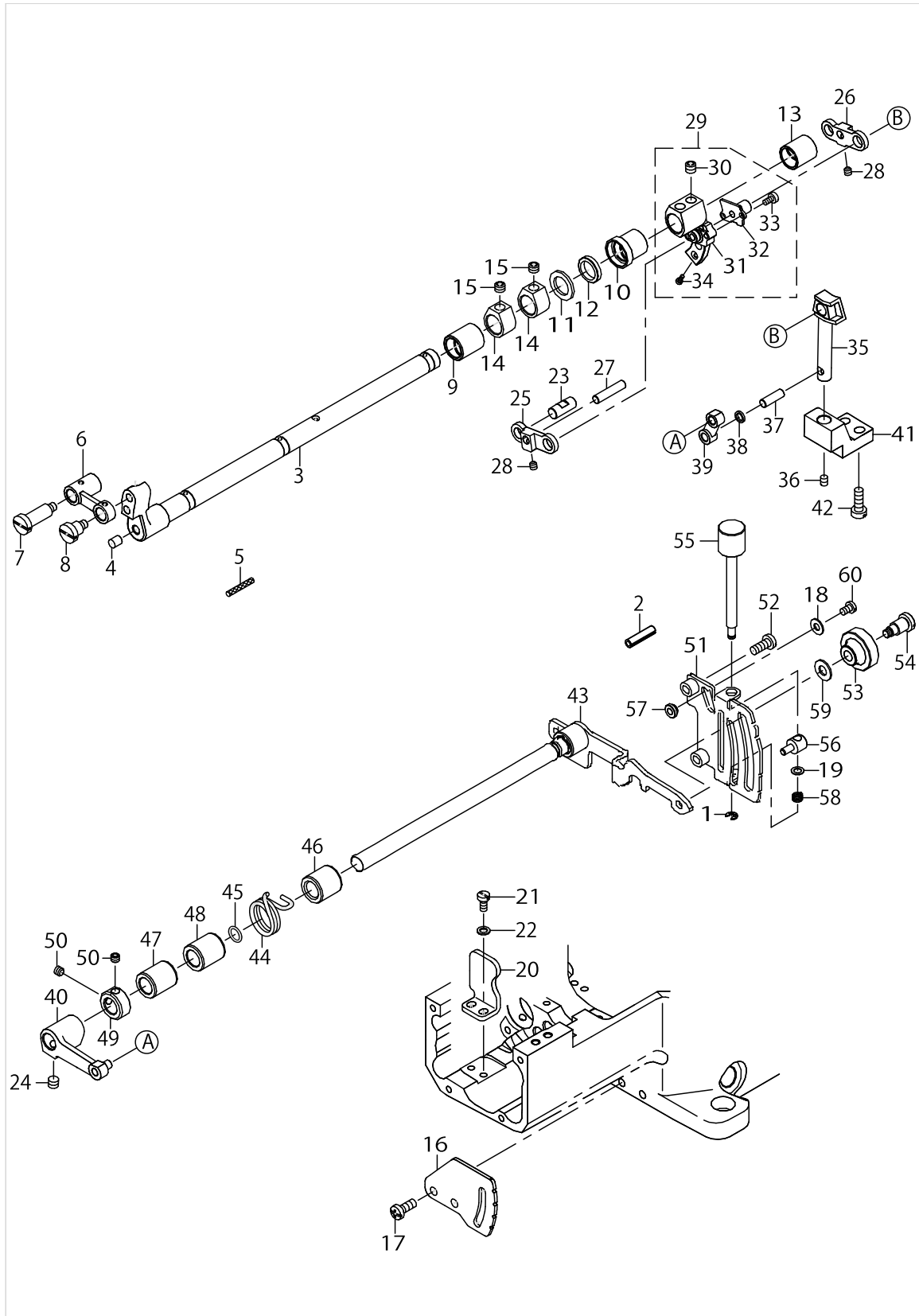


FEED DRIVE COMPONENTS (1)

No.	Supply Code	Parts No.	Replacement	Parts name	Remarks	Choice	Step	Level	Cons	Qty	Rep. QTY
93		NM6050003SC		NUT M5X0.8						1	



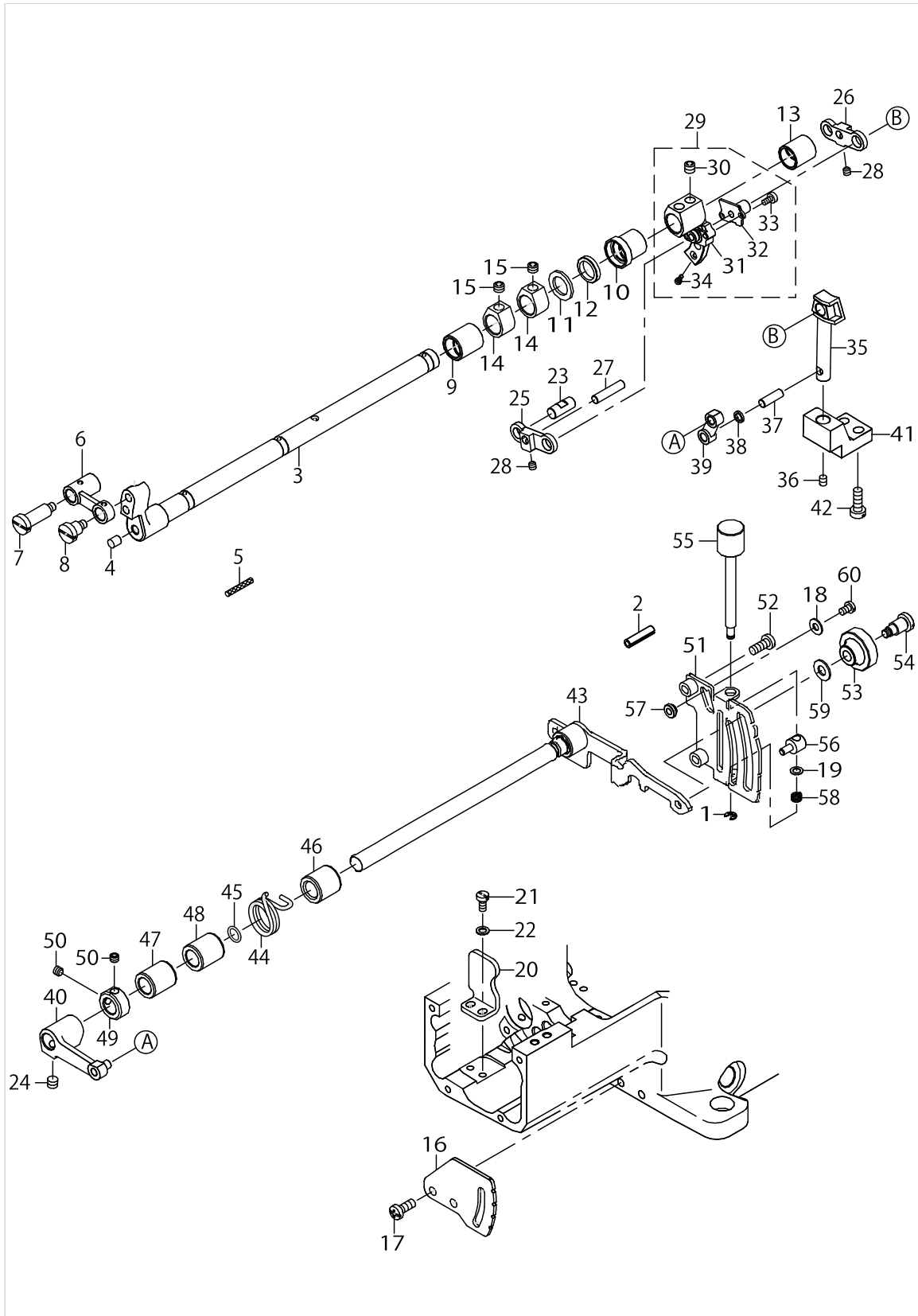
FEED DRIVE COMPONENTS (2)



FEED DRIVE COMPONENTS (2)

No.	Supply Code	Parts No.	Replacement	Parts name	Remarks	Choice	Step	Level	Cons	Qty	Rep. QTY
1		RE0300000K0		E-RING 3						1	
2		PS0500202KP		SPRING PIN 5X20						1	
3		13413406		DIFF FEED SHAFT						1	
4		TA0500601M0		PLUG D=5X5.4 L=6						1	
5		CQ300000001		OIL WICK						1	
6		13413604		DIFF FEED LINK						1	
7		SD0801866TH		SHOULDER SCREW						1	
8		SD0800626TH		SHOULDER SCREW						1	
9		13411707		BUSHING FEED MECH						1	
10		13409206		BUSHING_FEED_MECH						1	
11		13409107		WASHER						1	
12		E3025721000		OIL SEAL						1	
13		13415500		BUSHING_FEED_MECH						1	
14		13411806		COLLAR						2	
15		SM8060412TP		SCREW						2	
16		13411202		PLATE MAIN FEED ADJ						1	
17		SM4051255SP		SCREW.,M5 L=12.						2	
18		WP0450826SC		WASHER 4.5X10X0.8						1	
19		WP0460556SD		WASHER 4.6X7.5X0.5						1	
20		13414206		FEED BAR GUIDE 2						1	
21		SM6040800SP		SCREW						2	
22		WP0450846SP		WASHER						2	
23		13409909		DIFF_FEED_CRANK_PIN						1	
24		SM8060552TP		SCREW M6 L=5						2	
25		13409602		DIFF_DRIVE_LINK_L						1	
26		13409701		DIFF_DRIVE_LINK_R						1	
27		13409800		DIFF_LINK_PIN						1	
28		SM8040412TP		SET SCREW M4 L=4						2	
29		13416052		DIFF_FEED_ARM_ASSY						1	
30		SM8060552TP		SCREW M6 L=5				*		2	
31	R	13416102	13416052	DIFF_FEED_PIN_1				*		1	1.00
32	R	13416201	13416052	DIFF_FEED_PIN_2				*		1	1.00
33		SM6030650TP		SCREW				*		2	
34		SM4850455SP		SCREW				*		1	
35		13416458		SLIDER_GUIDE_ASSY						1	
36		SM8040512TP		SCREW						1	
37		13416508		PIN_DIFF_ADJ						1	
38		13412705		SPACER						1	
39		13413208		DIFF ADJ LINK						1	
40		13416854		DIFF_ADJ_LEVER_ASSY						1	
41		13416706		SLIDER_GUIDE_BLOCK						1	
42		SM6051400SP		SCREW						2	
43		40040154		DIFF_ADJ_LEVER_ASSY						1	
44		40040208		TORSION_SPRING						1	
45		RO068190100		RUBBER RING						1	
46		13415104		BUSHING FEED ADJ						1	

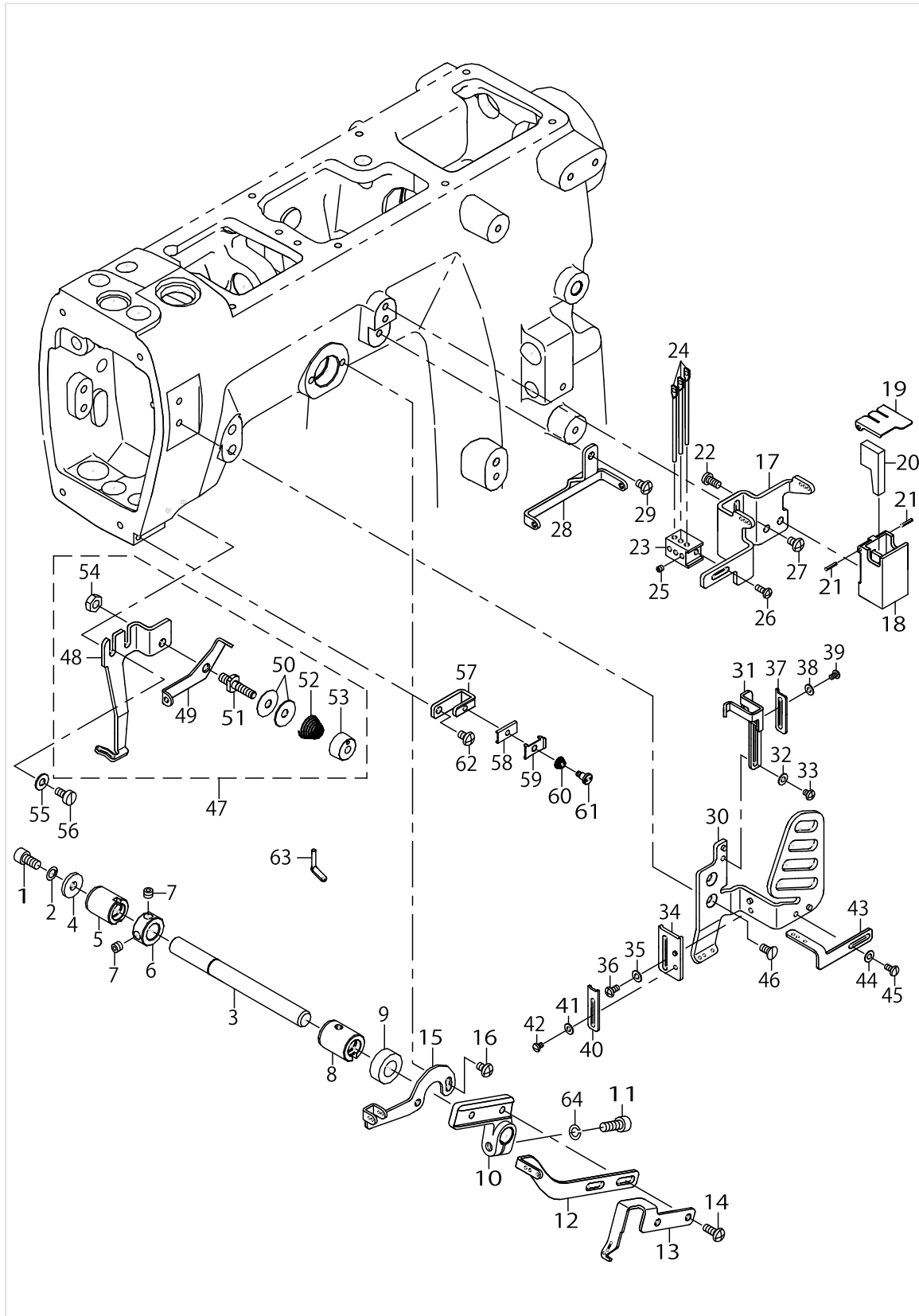
FEED DRIVE COMPONENTS (2)



FEED DRIVE COMPONENTS (2)

No.	Supply Code	Parts No.	Replacement	Parts name	Remarks	Choice	Step	Level	Cons	Qty	Rep. QTY
47		13414701		BUSHING FEED ADJ						1	
48		13409305		BUSHING_FEED_ADJ						1	
49		CS1000881TP		THRUST COLLAR						1	
50		SM8050412TP		SCREW M5 L=4						2	
51		40040155		PLATE_DIFF_ADJ_LEVER						1	
52		SM4051255SP		SCREW.,M5 L=12.						2	
53		13217500		DIFFERENTIAL FEED LOCK NUT						1	
54		13217401		DIFFERENTIAL FEED HINGE SCREW						1	
55		13417100		SCREW						1	
56		13217708		DIFFERENTIAL FEED BLOCK						1	
57		13321203		STOPPER DIFF ADJ						1	
58		13123302		ADJUSTING SPRING						1	
59		WP0621016SD		WASHER 6.2X13X1						1	
60		SM4040655SN		SCREW M4X0.7 L=6						1	

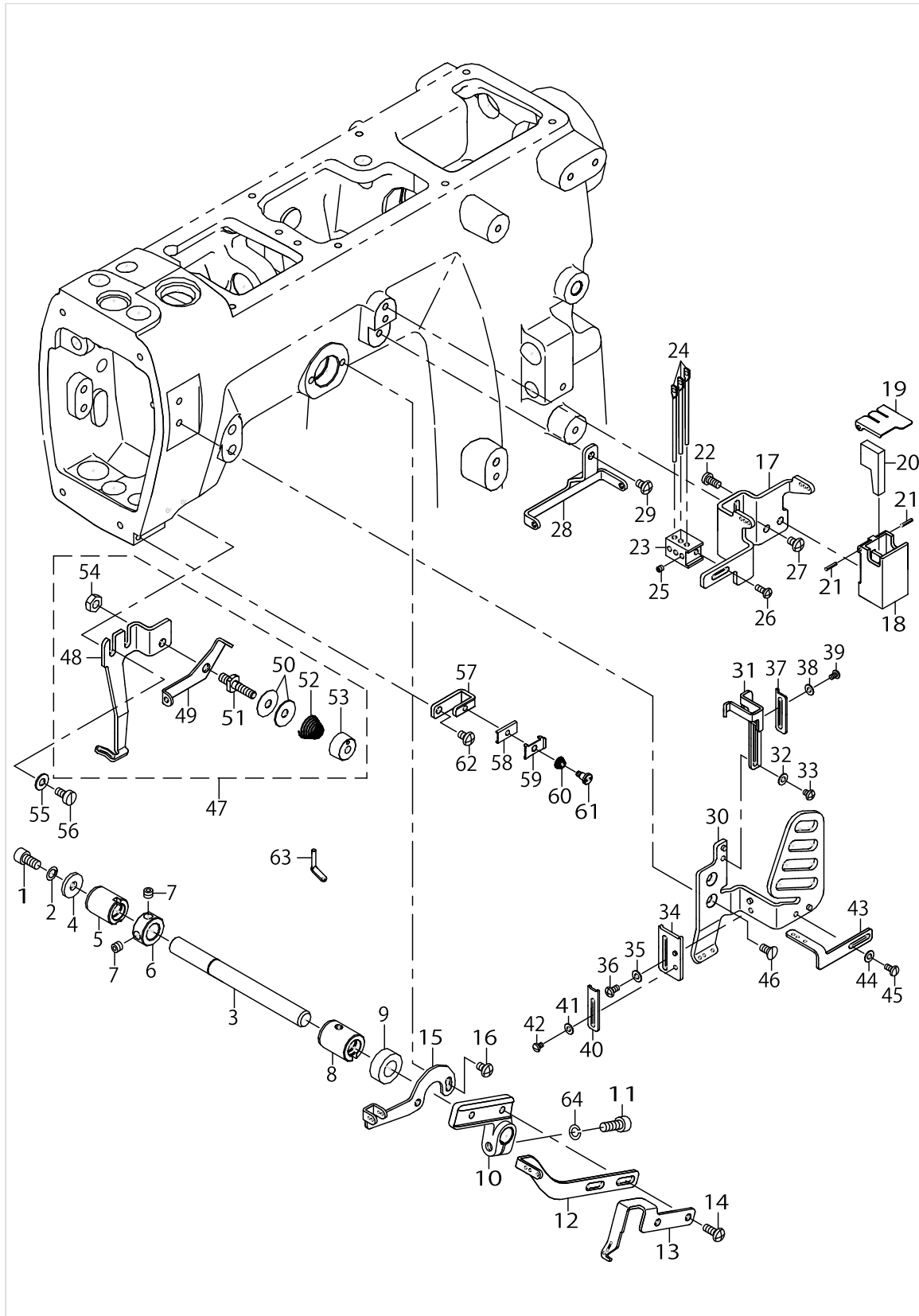
# THREAD TAKE-UP LEVER COMPONENTS



THREAD TAKE-UP LEVER COMPONENTS

No.	Supply Code	Parts No.	Replacement	Parts name	Remarks	Choice	Step	Level	Cons	Qty	Rep. QTY
1		SM6051002TP		SCREW M5X0.8 L=10						1	
2		WS0510002KP		SPRING WASHER 5.1X9.2X1.3						1	
3		13324306		SHAFT						1	
4		WP0522016SH		WASHER						1	
5		13324504		BUSHING REAR						1	
6		CS1000881TP		THRUST COLLAR						1	
7		SM8050412TP		SCREW M5 L=4						2	
8		13324603		BUSHING FRONT						1	
9		23612609		FEED CHANGING SHAFT OIL SEAL						1	
10		13324702		HOLDER TAKE UP EYELET						1	
11		SM6051402TP		SCREW M5X0.8 L=14						1	
12		13324801		NDL THREAD TAKE UP						1	
13		13324900		UP LPR THREAD TAKE UP						1	
14		SM4041055SP		SCREW						2	
15		13325006		THREAD GUIDE						1	
16		SM4040655SP		SCREW M4 L=6						2	
17		13325105		THREAD TENSION GUIDE						1	
18		13348008		TANK						1	
19		B9213850000		SILICONE OIL TANK COVER, UPPER						1	
20		B9214850000		HEAT REMOVING FELT						1	
21		PS0150082KH		SPRING PIN						2	
22		ST4040851SN		TAPPING SCREW M4X8						2	
23		13325204		HOLDER						1	
24	R	30391601	40074316	NEEDLE THREAD EYELET						3	1.00
25		SM8030312TP		SCREW M3 L=3						3	
26		SM4030855SN		SCREW M3 L=8.0						1	
27		SM4040655SP		SCREW M4 L=6						2	
28		13325402		THREAD GUIDE						1	
29		SM4040655SP		SCREW M4 L=6						1	
30		13325501		COVER						1	
31		13325709		NDL THD STRIKE OFF						1	
32		WP0320501SC		WASHER M3						1	
33		SM4030455SP		SCREW						1	
34		13325600		THD STRIKE OFF PLATE						1	
35		WP0320501SC		WASHER M3						1	
36		SM4030655SP		SCREW						1	
37		13326905		NDL THD STRIKE OFF R						1	
38		WP0280501SC		WASHER M2.6						1	
39		SM4850455SP		SCREW						1	
40		13327002		THD STRIKE OFF PLATE R						1	
41		WP0280501SC		WASHER M2.6						1	
42		SM4850455SP		SCREW						1	
43		13327101		THREAD_GUIDE						1	
44		WP0320501SC		WASHER M3						1	
45		SM4030655SP		SCREW						1	
46		SM1040800SP		SCREW						2	

# THREAD TAKE-UP LEVER COMPONENTS

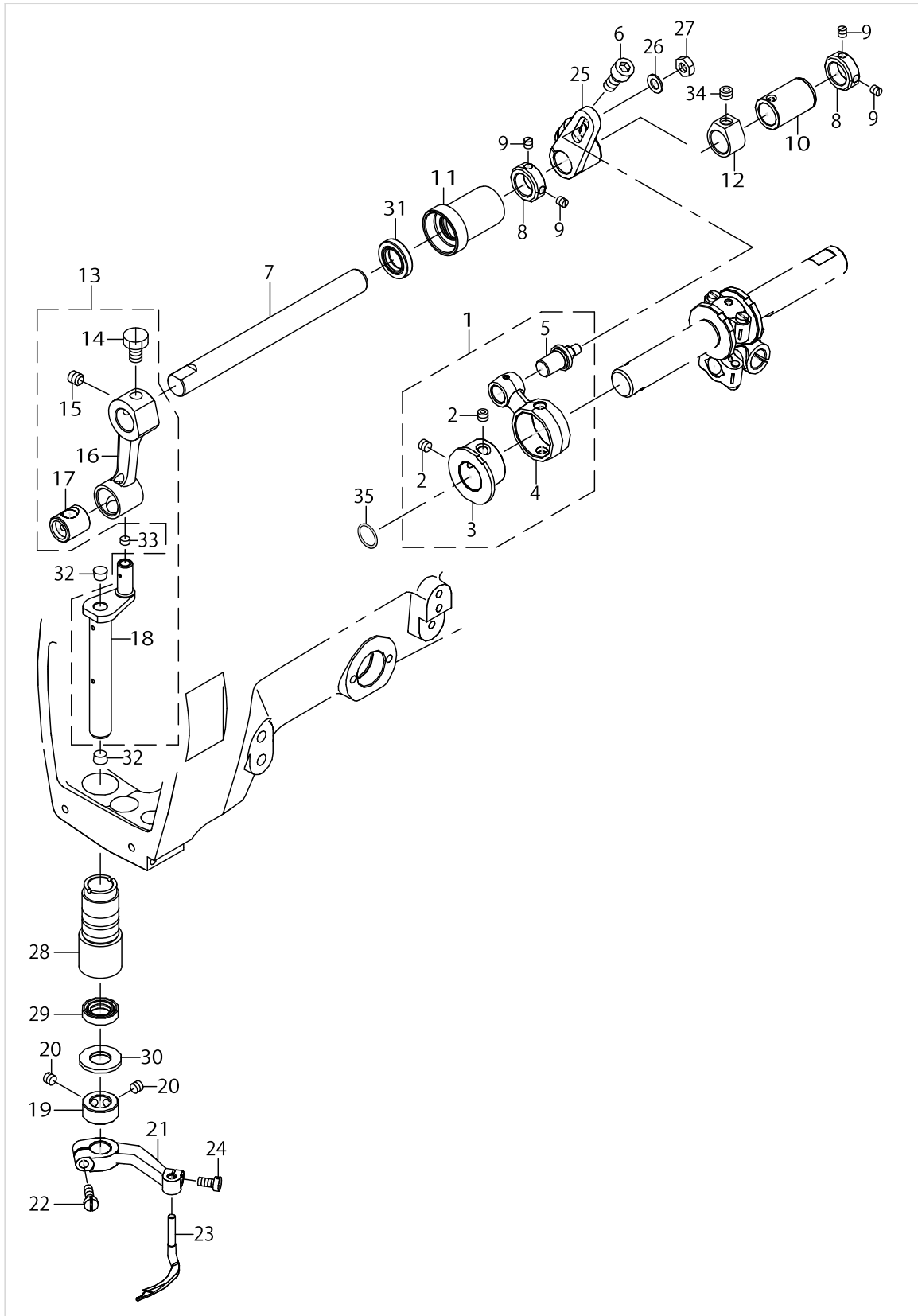


THREAD TAKE-UP LEVER COMPONENTS

No.	Supply Code	Parts No.	Replacement	Parts name	Remarks	Choice	Step	Level	Cons	Qty	Rep. QTY
47		13326350		UP_LPR_TENSION_ASSY						1	
48		13326301		THREAD GUIDE UPPER LPR				*		1	
49		13326400		THREAD GUIDE				*		1	
50		22945802		THREAD TENSION DISK				*		2	
51		13326509		TENSION POST				*		1	
52		22945505		THREAD TENSION SPRING				*		1	
53		13326608		TENSION NUT				*		1	
54		NM6050001SP		NUT M5				*		1	
55		WP0450826SC		WASHER 4.5X10X0.8						2	
56		SM6040800SP		SCREW						2	
57		13325808		NIPPER PLATE SUPPORT						1	
58		13325907		NIPPER PLATE						1	
59		13326004		NIPPER GUIDE PLATE						1	
60		13326103		SPRING						1	
61		13326202		SHOULDER SCREW						1	
62		SM4040655SP		SCREW M4 L=6						1	
63		13326707		THREAD GUIDE						1	
64		WS0510002KN		SPRING WASHER						1	



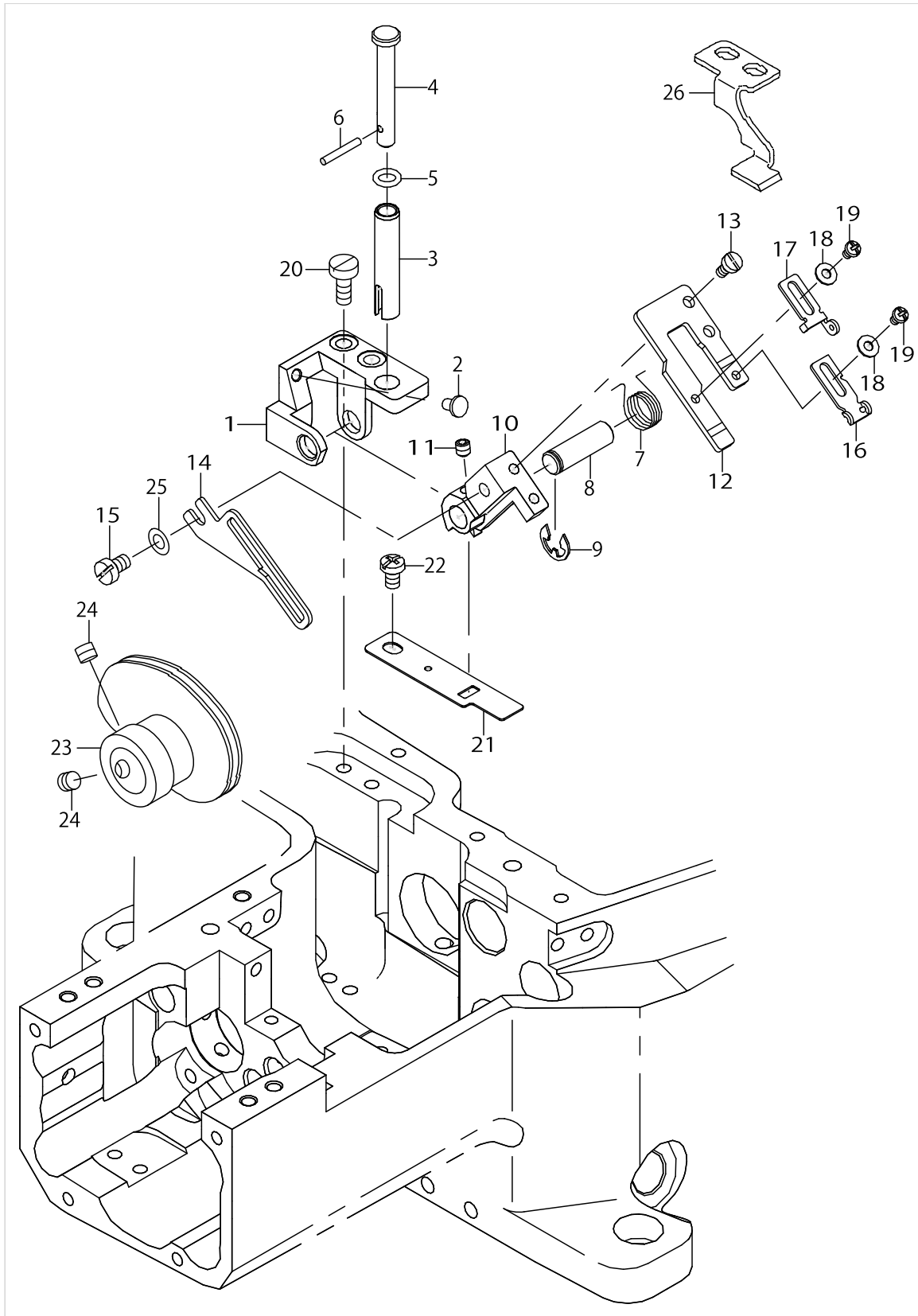
# SPREADER COMPONENTS



SPREADER COMPONENTS

No.	Supply Code	Parts No.	Replacement	Parts name	Remarks	Choice	Step	Level	Cons	Qty	Rep. QTY
1		40078318		ASSY_UPPPER_LPR_MECH						1	
2		SM8050412TP		SCREW M5 L=4				*		2	
3		40083520		UPPER LOOPER ECCENTRIC				*		1	
4		40078319		CONNROD_FOR_UPPER_LPR				*		1	
5		13328208		STUD				*		1	
6		SM6061402TP		SCREW M6 L=14						1	
7		40078310		UPPER_LOOPER_SHAFT						1	
8		13399209		COLLAR						2	
9		SM8040412TP		SET SCREW M4 L=4						4	
10		40081402		BUSHING_REAR						1	
11		40078309		BUSHING_FRONT						1	
12		13411806		COLLAR						1	
13		40078311		ASSY_UPPER_LPR_MECH_2						1	
14		SM9061050TP		SCREW M6 L=10				*		1	
15		SM8060612TP		SCREW M6 L=6				*		1	
16		40078312		CRANK_ROD				*		1	
17		40078313		UPPER_LOOPER_ROCKER				*		1	
18		40078314		U.L_SHAFT_VERTICAL				*		1	
19		CS1000881TP		THRUST COLLAR						1	
20		SM8050412TP		SCREW M5 L=4						2	
21		13328802		UPPER LOOPER HOLDER						1	
22		SM6041200SP		SCREW M4 L=12						1	
23		13329404		UPPER_LOOPER						1	
24		SM6040800SP		SCREW						1	
25		40078316		DRIVING_ARM						1	
26		WP0550800SP		WASHER 5.5X10X0.8						1	
27		NM6050001SP		NUT M5						1	
28		13329206		BUSHING VERTICAL						1	
29		13338900		OIL SEAL						1	
30		WP1022016SH		WASHER						1	
31		40004573		OIL SEAL						1	
32		TA0600401R0		PLUG						2	
33		40078293		PLUG						1	
34		SM8060412TP		SCREW						1	
35		13170402		RUBBER RING						1	

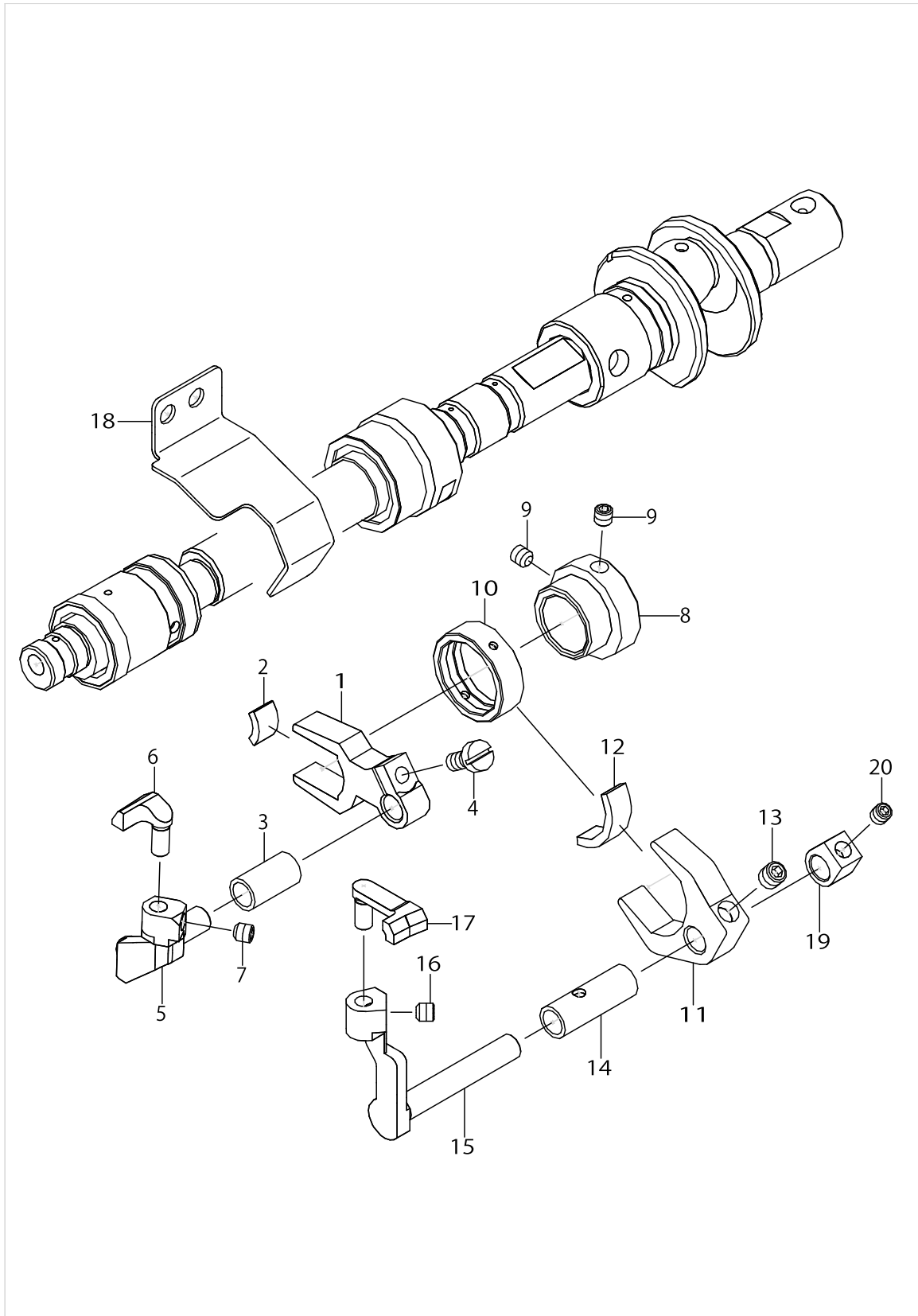
# LOWER THREAD CAM COMPONENTS



LOWER THREAD CAM COMPONENTS

No.	Supply Code	Parts No.	Replacement	Parts name	Remarks	Choice	Step	Level	Cons	Qty	Rep. QTY
1		13417209		TAKE UP BASE						1	
2		13418306		BUMPER						1	
3		13417308		TAKE UP BASE GUIDE						1	
4		13417407		RESET KNOB						1	
5		RO037180100		RUBBER RING						1	
6		PS0200142K0		SPRING PIN 2.0X14						1	
7		13417704		SPRING TAKE UP						1	
8		13417902		TAKE UP PLATE SHAFT						1	
9		RE0500000K0		E-RING						1	
10		13417506		BASE TAKEUP PLATE						1	
11		SM8040412TP		SET SCREW M4 L=4						1	
12		40064971		TAKE_UP_PLATE						1	
13		SM6030600SP		SCREW M3X0.5 L=6						2	
14		13417803		THREAD GUIDE						1	
15		SM6040600SP		SCREW M4 L=6						1	
16		40064970		EYELET_A						1	
17		13418207		EYELET B						1	
18		WP0280501SC		WASHER M2.6						2	
19		SM4850455SP		SCREW						2	
20		SM6041000SP		SCREW M4 L=10						2	
21		13418009		LOCATION SPRING						1	
22		SM4040655SP		SCREW M4 L=6						1	
23	R	40064974	40088113	TAKE_UP_ASSY		A				1	1.00
23	R	40064974	40088112	TAKE_UP_ASSY		A				1	1.00
24		SM8050412TP		SCREW M5 L=4						2	
25		WP0430800SC		WASHER M4						1	
26		40064969		THREAD_CUTTER						1	

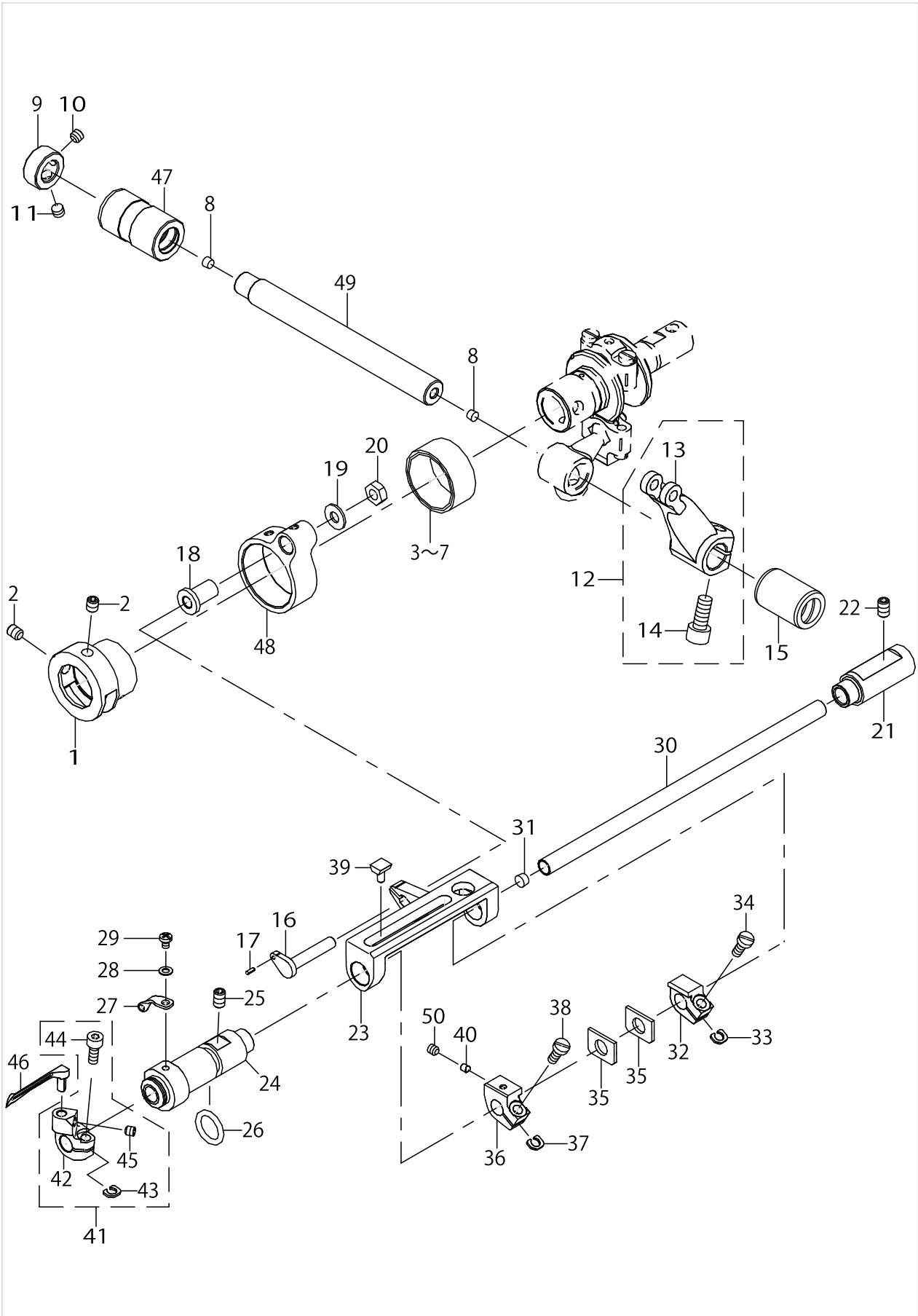
# NEEDLE GUARD COMPONENTS



NEEDLE GUARD COMPONENTS

No.	Supply Code	Parts No.	Replacement	Parts name	Remarks	Choice	Step	Level	Cons	Qty	Rep. QTY
1		13420401		FORK FRONT NDL GUARD						1	
2		13421201		FELT_FRONT_NDL_GUARD						1	
3		13420807		BUSH FRONT NDL GUARD						1	
4		SM6040800SP		SCREW						1	
5		13420500		HOLDER FRONT NDL GUARD						1	
6		13420609		FRONT NDL GUARD						1	
7		SM8040412TP		SET SCREW M4 L=4						1	
8		13420005		CAM REAR NDL GUARD						1	
9		SM8040412TP		SET SCREW M4 L=4						2	
10		13421003		REAR NEEDLE GUARD BLOCK						1	
11		13420104		FORK REAR N GUARD						1	
12		13421300		FELT_REAR_NDL_GUARD						1	
13		SM8050512TP		SCREW						1	
14	D	13420708		BUSH REAR NDL GUARD						1	
15		13420203		REAR N GUARD HOLDER						1	
16		SM8040412TP		SET SCREW M4 L=4						1	
17		13420302		REARNEEDLE GUARD						1	
18		13420906		NDL GUARD COVER						1	
19		13421409		COLLER_FOR_NDL_GUARD						1	
20		SM8040412TP		SET SCREW M4 L=4						1	

LOOPER COMPONENTS

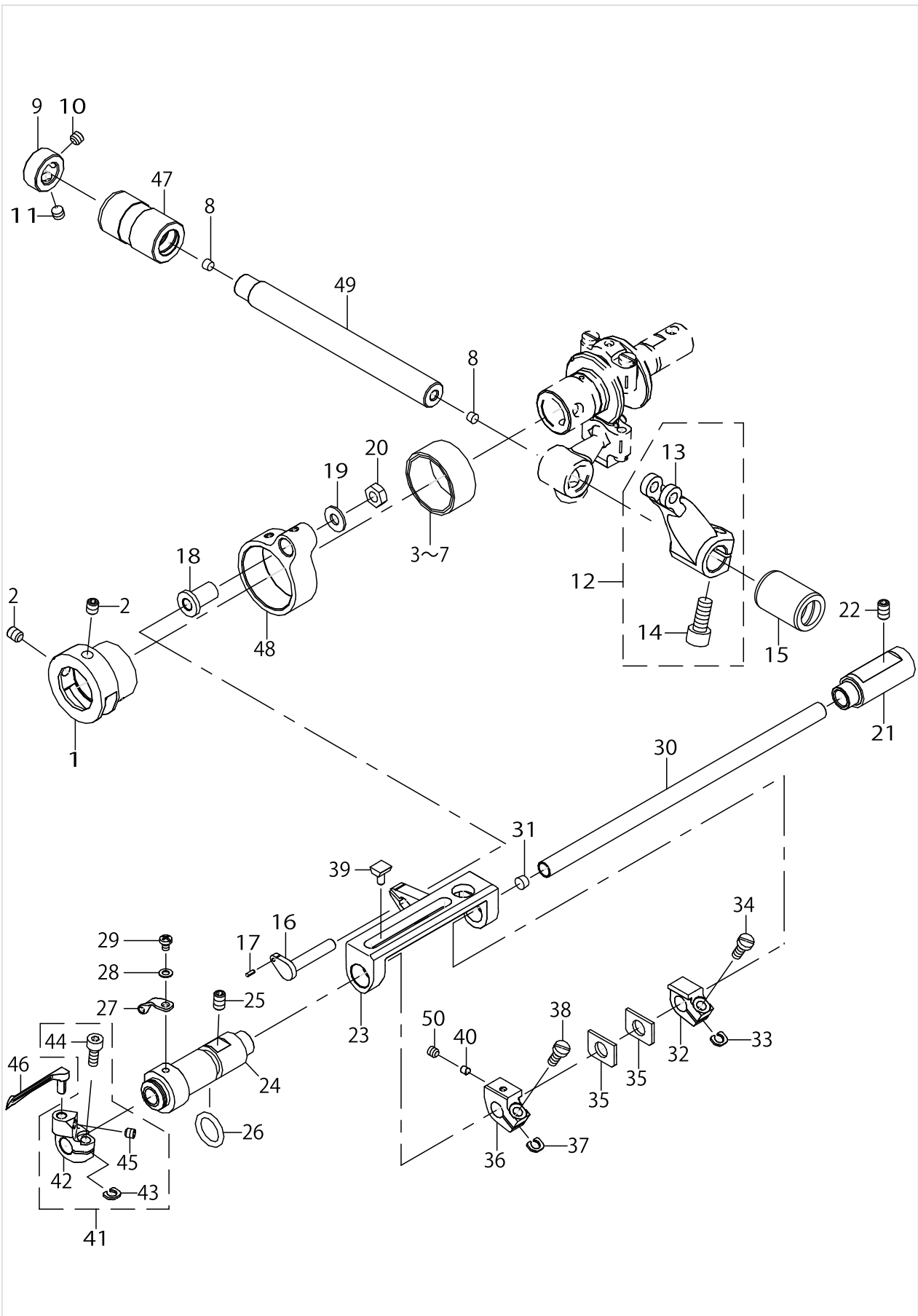


LOOPER COMPONENTS

No.	Supply Code	Parts No.	Replacement	Parts name	Remarks	Choice	Step	Level	Cons	Qty	Rep. QTY
1		13422001		LOOPER ADOID ECCENTRIC						1	
2		SM8050612TP		SCREW M5X6						2	
3		SB32600020A		BEARING	SELECTIVE PARTS					1	
4		SB32600020B		BEARING	SELECTIVE PARTS					1	
5		SB32600020C		BEARING	SELECTIVE PARTS					1	
6		SB32600020D		BEARING	SELECTIVE PARTS					1	
7		SB32600020E		BEARING	SELECTIVE PARTS					1	
8		TA0400301M0		PLUG D=4X4.5 L=3						2	
9		CS1000881TP		THRUST COLLAR						1	
10		SM8050412TP		SCREW M5 L=4						1	
11		SM8050642TP		SCREW						1	
12		13424452		LEVER_ASSY						1	
13	R	13424403	13424452	LEVER				*		1	1.00
14		SM6061402TP		SCREW M6 L=14				*		1	
15		13424502		BUSHING FRONT						1	
16		13422704		LOOPER AVOID PIN						1	
17		PS0150042K0		SPRING PIN 1.5X 4						1	
18		13422803		BUSHING						1	
19		B2107816000		WASHER						1	
20		NM6050001SP		NUT M5						1	
21		13423009		BUSHING RIGHT						1	
22		SM8050812TP		SCREW M5X8						1	
23		13422902		GUIDE LOOPER BAR						1	
24		13423108		BUSHING LEFT						1	
25		SM8050812TP		SCREW M5X8						1	
26		RO118240100		O-RING						1	
27		13425202		LPR_THREAD_GUIDE						1	
28		WP0320500SC		WASHER M3						1	
29		SM4030455SP		SCREW						1	
30		13424601		LOOPER BAR						1	
31		TA0600401R0		PLUG						1	
32		13423405		HOLDER						1	
33		13423801		WASHER						1	
34		SM6041000SP		SCREW M4 L=10						1	
35		13423603		WASHER						2	
36		13423504		SLIDER HOLDER						1	
37		13423801		WASHER						1	
38		SM6041000SP		SCREW M4 L=10						1	
39		13423306		SLIDER						1	
40		13423702		PIN						1	
41		40022804		LOOPER HOLDER_ASSY						1	
42		13424700		LOOPER HOLDER				*		1	
43		13423801		WASHER				*		1	
44		SM6041002TP		SCREW M4 L=10				*		1	
45		SM8040412TP		SET SCREW M4 L=4				*		1	
46		13424809		LOOPER						1	



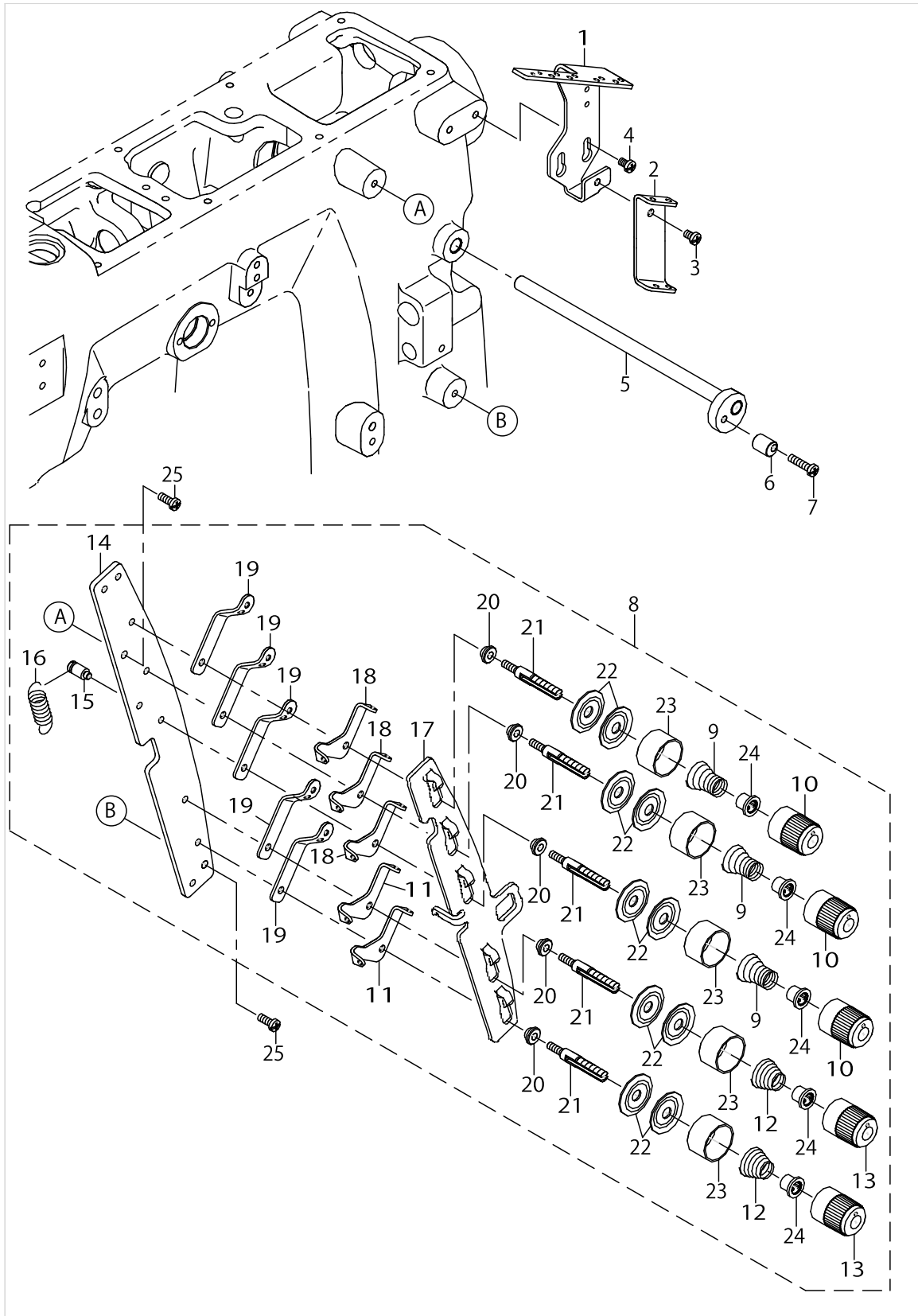
LOOPER COMPONENTS



LOOPER COMPONENTS

No.	Supply Code	Parts No.	Replacement	Parts name	Remarks	Choice	Step	Level	Cons	Qty	Rep. QTY
47		13423900		BUSHING REAR						1	
48		13422605		LOOPER AVOID LINK						1	
49		13424304		LOOPER SHAFT						1	
50		SM8040412TP		SET SCREW M4 L=4						1	

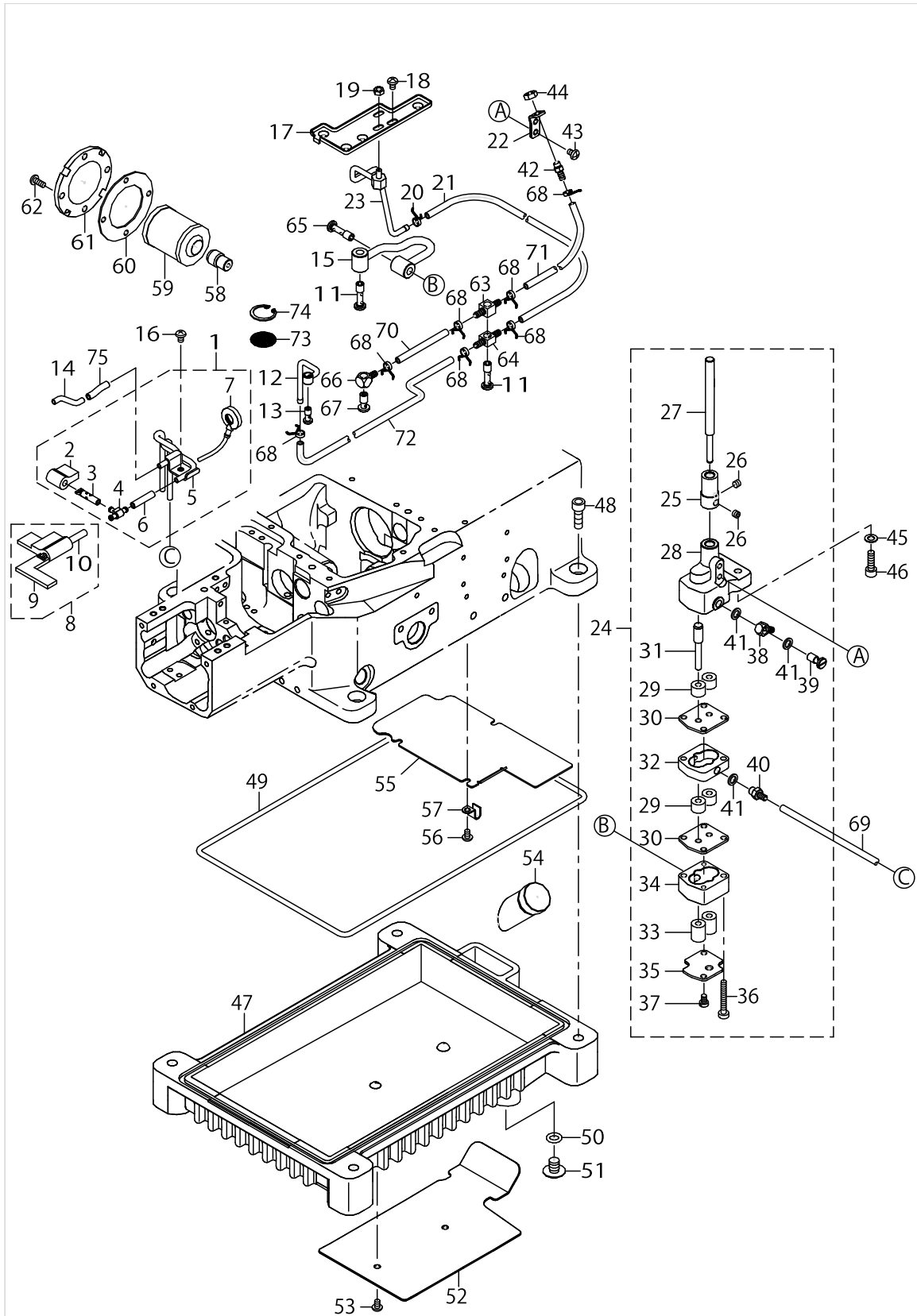
# THREAD TENSION COMPONENTS



THREAD TENSION COMPONENTS

No.	Supply Code	Parts No.	Replacement	Parts name	Remarks	Choice	Step	Level	Cons	Qty	Rep. QTY
1		13340005		THREAD GUIDE PLATE						1	
2		13340104		THREAD GUIDE						1	
3		SM4040655SP		SCREW M4 L=6						1	
4		SM4040655SP		SCREW M4 L=6						2	
5		13341359		ASSY PULL OFF LEVER						1	
6		40065785		TENS_RELEASE_ADJ_ECC						1	
7		SM4041655SP		SCREW M4 L=16						1	
8		40066136		THREAD_TENSION_ASSY						1	
9		13140504		TENSION SPRING				*		3	
10		40042364		KNOB GREEN				*		3	
11		13340500		TENSION DISC EYELET				*		2	
12	R	B3121804000	40102003	TENSION SPRING				*		2	1.00
13		40042363		KNOB				*		2	
14		13340203		TENSION POST SUPPORT				*		1	
15		13340302		SHOULDER SCREW				*		1	
16		B2008372000		THREAD TENSION SPRING				*		1	
17		40065784		TENSION_DISC_SEPARATOR				*		1	
18	R	13341607	40040066	TENSION_DISC_EYELET_2		B	MF-7724-U10-D60	*		3	1.00
18	R	13341607	40066136	TENSION_DISC_EYELET_2				*		3	1.00
19		13340609		THREAD LEAD IN GUIDE				*		5	
20		13340708		SPACER				*		5	
21		40042362		TENSION POST				*		5	
22		13138201		THREAD TENSION DISK				*		10	
23		40042366		THREAD TENSION DISK PRESSER				*		5	
24		40042365		SPRING BUSHING				*		5	
25		SM4041055SP		SCREW						2	

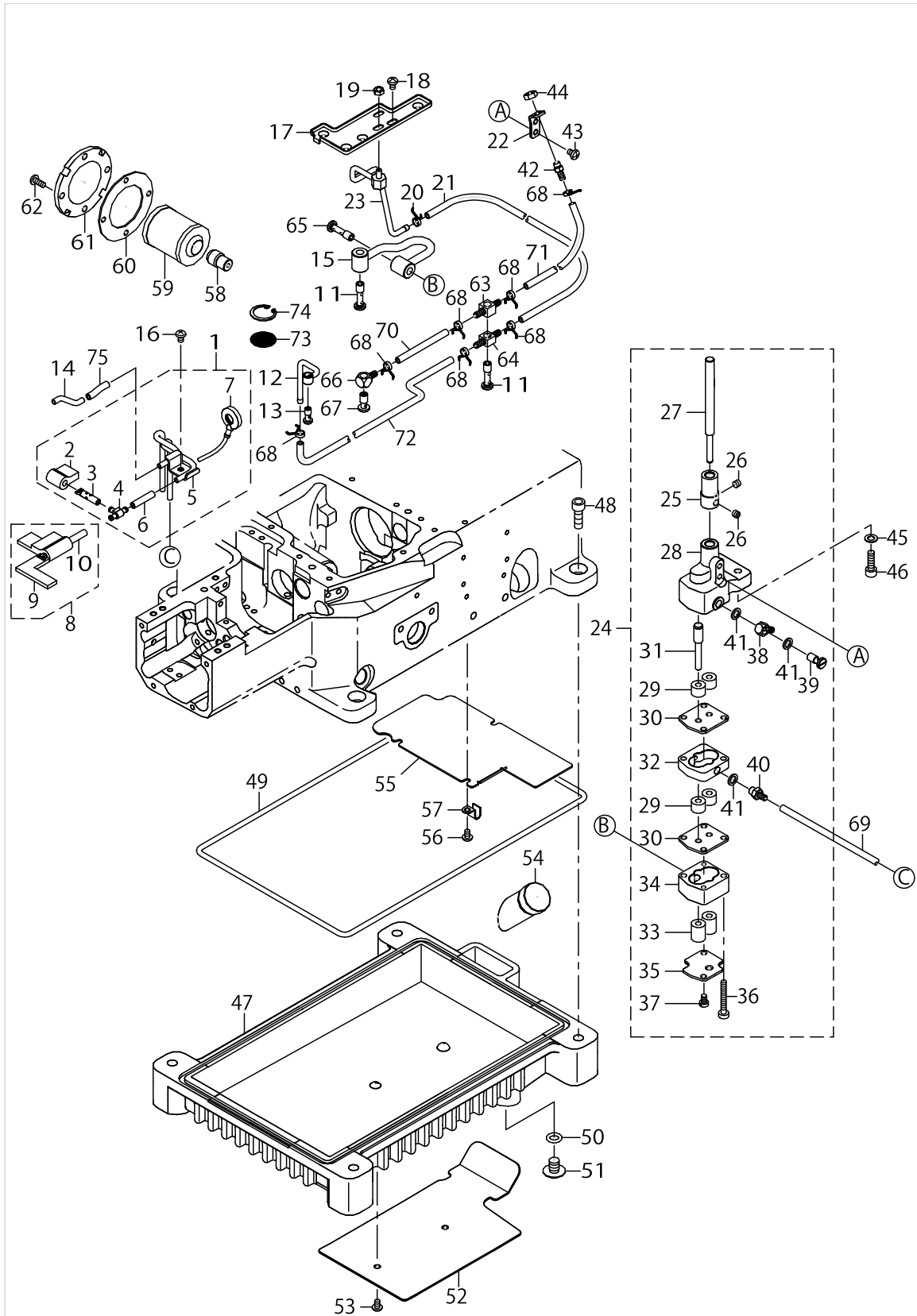
LUBRICATION COMPONENTS



LUBRICATION COMPONENTS

No.	Supply Code	Parts No.	Replacement	Parts name	Remarks	Choice	Step	Level	Cons	Qty	Rep. QTY
1		13427851		ASSY_BED_SUCTION						1	
2		13427802		FELT_FOR_BED_SUCTION				*		1	
3		13428305		OIL_TUBE_FOR_SUCTION				*		1	
4		13765607		OIL_CONNEC. ARM				*		1	
5		13426754		OIL_SUCTION_ASSY				*		1	
6		23630007		TUBE				*		0.03	
7		13428255		ASSY_LOOPER_SUCTION				*		1	
8		13427752		ASSY_CYLINDER_SUCTION						1	
9		13427703		FELT_FOR_C_SUCTION				*		1	
10		13346408		OIL_TUBE_FOR_SUCTION				*		1	
11		SQ2060442SD		CONNECTING SCREW						2	
12		13427455		ASSY_OIL_SUPPLY_FOR_LMS						1	
13		SQ2050391SD		CONNECTING SCREW						1	
14		13428008		OIL_SUCTION_FOR_BUSHING						1	
15		13427257		ASSY_OIL_PIPE						1	
16		SM4040655SP		SCREW M4 L=6						1	
17		40083514		OIL_SAUCER						1	
18		SM4040655SP		SCREW M4 L=6						2	
19		NM6040001SP		NUT M4X0.7						1	
20		23629306		PIPE_STOPPER_A						1	
21		BP30000010R		VINYL_PIPE						.5	
22		13427307		CONNECTING_SCR_BRACKET						1	
23		13345053		ASSY_OIL_SUPPLY_FOR_TOP						1	
24		13426051		ASSY_PUMP_3-STAGE						1	
25		13343009		WORM_WHEEL				*		1	
26		SM8050412TP		SCREW M5 L=4				*		2	
27	R	13426002	13426051	OIL_PUMP_SHAFT_LARGE				*		1	1.00
28	R	13343108	13345459	OIL_PUMP_HOUSING		A	MF-7700	*		1	1.00
28	R	13343108	13426051	OIL_PUMP_HOUSING		B	MF-7800	*		1	1.00
29		13228309		OIL_PUMP_PINION				*		4	
30	R	13343405	13345459	OIL_PUMP_SPACER		A	MF-7700	*		2	1.00
30	R	13343405	13426051	OIL_PUMP_SPACER		B	MF-7800	*		2	1.00
31	R	13426101	13426051	OIL_PUMP_SHAFT_SMALL				*		1	1.00
32		13426200		OIL_PUMP_CASING_UPPER				*		1	
33		13228200		OIL_PUMP_PINION				*		2	
34	R	13343207	13345459	OIL_PUMP_CASING		A	MF-7700	*		1	1.00
34	R	13343207	13426051	OIL_PUMP_CASING		B	MF-7800	*		1	1.00
35	R	13343306	13345459	OIL_PUMP_COVER		A	MF-7700	*		1	1.00
35	R	13343306	13426051	OIL_PUMP_COVER		B	MF-7800	*		1	1.00
36		SM6043000SP		SCREW				*		2	
37		SM6040600SP		SCREW M4 L=6				*		2	
38		SQ0000451MZ		CONNECTING SCREW				*		1	
39		SQ2060443SD		CONNECTING SCREW				*		1	
40		SQ2060451MZ		CONNECTING SCREW				*		1	
41		40004749		GASCKET				*		3	
42		SQ2050452MZ		CONNECTING SCREW						1	

LUBRICATION COMPONENTS

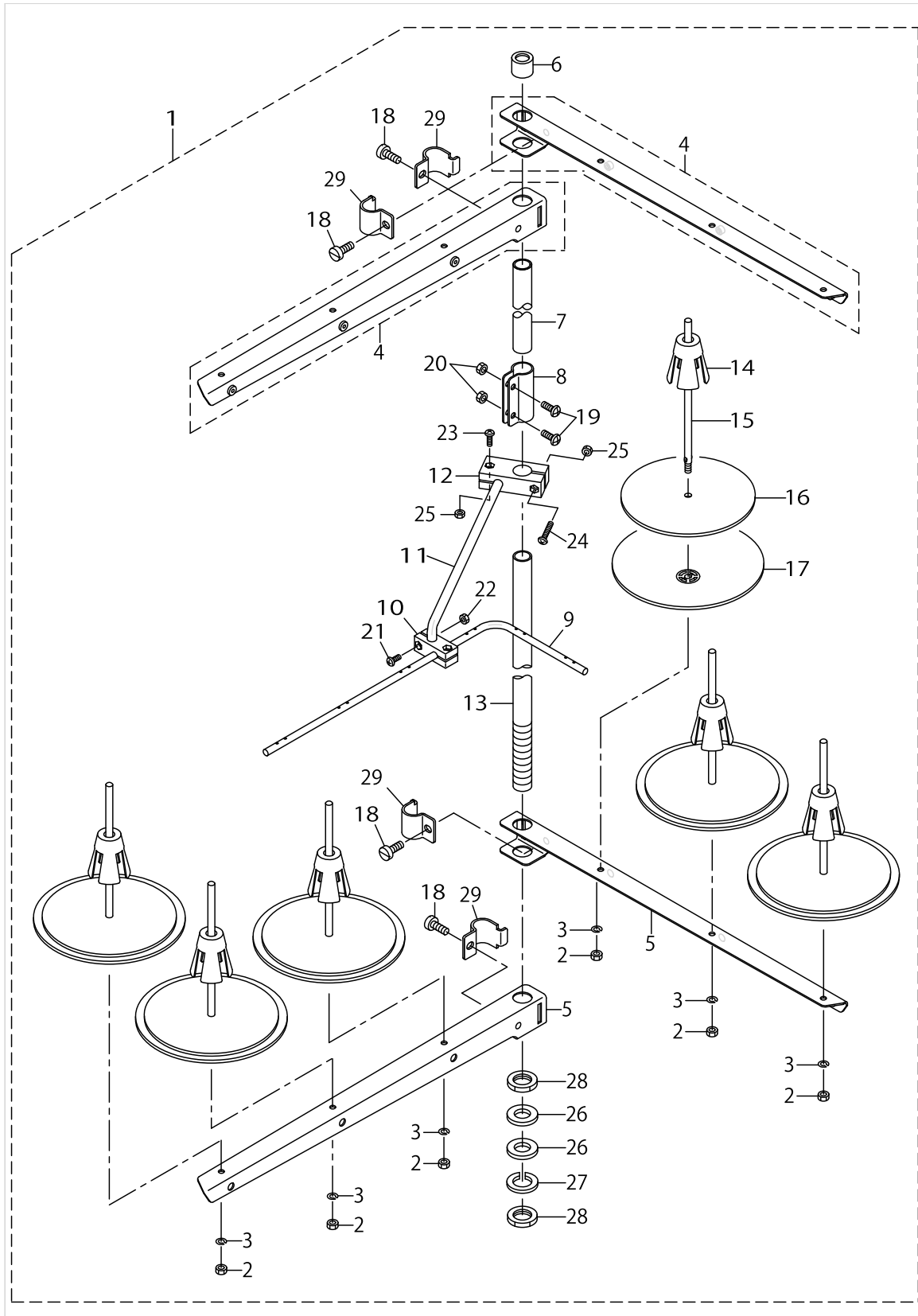


LUBRICATION COMPONENTS

No.	Supply Code	Parts No.	Replacement	Parts name	Remarks	Choice	Step	Level	Cons	Qty	Rep. QTY
43		SM4040655SP		SCREW M4 L=6						2	
44		NM6050001SP		NUT M5						1	
45		WP0550800SP		WASHER 5.5X10X0.8						2	
46		SM6051602TP		SCREW M5X0.8 L=16						2	
47		13426309		OIL PAN						1	
48		SM6081802TP		SCREW						4	
49		13426408		O RING						1	
50		13170105		RUBBER RING						1	
51		SM0081001SD		SCREW						1	
52		13346309		BREEZE_PLATE						1	
53		SM4040655SP		SCREW M4 L=6						2	
54		13346101		OIL SIGHT GAUGE						1	
55		13426606		DUSTPROOF PLATE						1	
56		SM4040655SP		SCREW M4 L=6						3	
57		13427604		TUBE HOLDER						1	
58		13343801		FITTING FILTER						1	
59		13142500		CARTRIDGE FILTER						1	
60		13344809		GASKET O						1	
61		13345202		FILTER_COVER						1	
62		SM4041055SP		SCREW						4	
63		SQ0000453MZ		CONNECTINGSCREW						1	
64		SQ0000454MZ		CONNECTINGSCREW						1	
65		SQ2060442SD		CONNECTINGSCREW						1	
66		SQ0000452MZ		CONNECTINGSCREW						1	
67		SQ2060443SD		CONNECTINGSCREW						1	
68		23629306		PIPE STOPPER A						7	
69		23630007		TUBE						.2	
70		BP30000010R		VINYL PIPE						.09	
71		BP30000010R		VINYL PIPE						.14	
72		BP30000010R		VINYL PIPE						.13	
73		13426903		MESH PLATE						1	
74		RC1900002KP		C RING						1	
75		23630007		TUBE						.02	



# THREAD STAND COMPONENTS

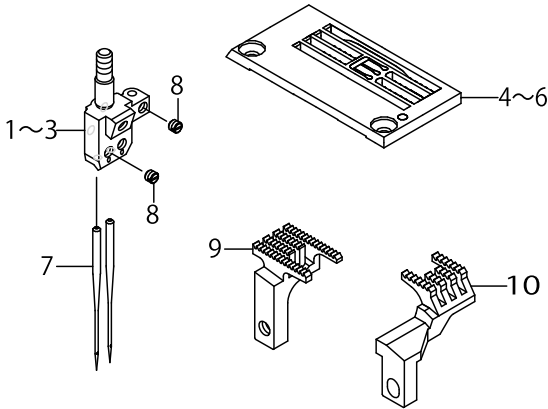


THREAD STAND COMPONENTS

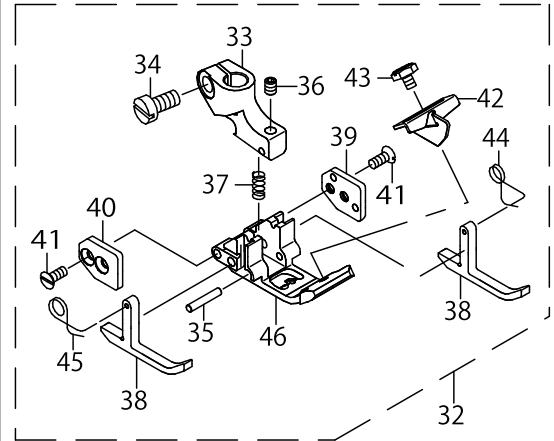
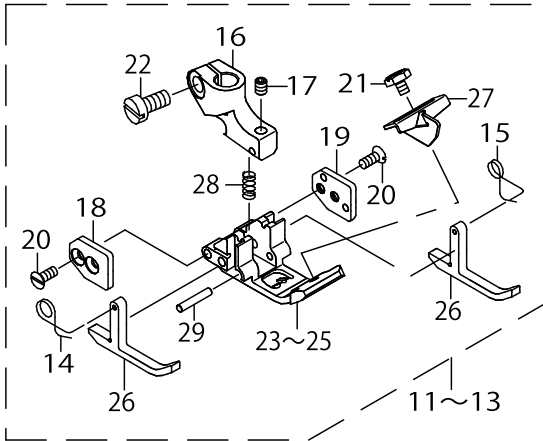
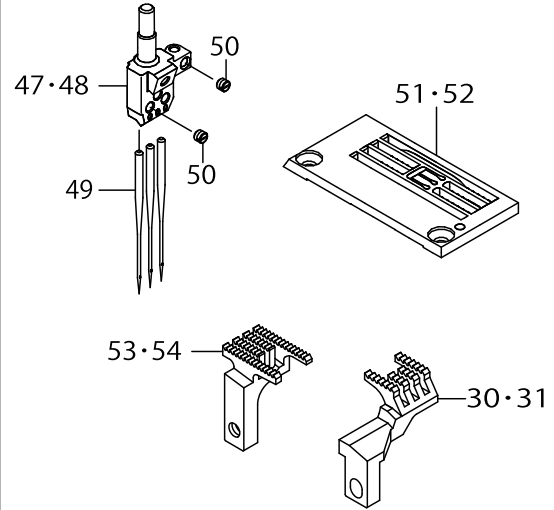
No.	Supply Code	Parts No.	Replacement	Parts name	Remarks	Choice	Step	Level	Cons	Qty	Rep. QTY
1		40072506		THREAD STAND ASM.						1	
2		NM6050001SE		NUT M5				*		6	
3		WS0510002KN		SPRING WASHER				*		6	
4		13168356		THREAD STANDING ARM ASM. ,LONG				*		2	
5	R	13168307	13168356	THREAD STANDING ARM ,LONG				*		2	1.00
6		22931406		THREAD STANDING ROD RUBBER CAP				*		1	
7	R	22930408	40096354	THREAD STANDING ROD, UPPER				*		1	1.00
8	R	22931307	40096354	THREAD STANDING ROD JOINT				*		1	1.00
9		40056675		THREAD GUIDE ARM BASE				*		1	
10	D R	13168000	26910059	THREAD GUIDE BASE, LOWER				*		1	1.00
11	R	13168109	26910059	THREAD GUIDE ARM				*		1	1.00
12	R	13168208	26910059	THREAD GUIDE ARM BASE				*		1	1.00
13	R	22930309	40096354	THREAD STANDING ROD, LOWER				*		1	1.00
14	R	22931109	40085791	SPOOL RETAINER				*		6	1.00
15	R	22931000	40085790	SPOOL PIN				*		6	1.00
16		22930903		SPOOL REST CUSHION				*		6	
17		22930804		SPOOL REST				*		6	
18		SM6061610SC		SCREW M6 L=16				*		4	
19		SM4051405SE		SCREW M5 L=14				*		2	
20		NM6050001SE		NUT M5				*		2	
21		SM4041001SC		SCREW M4X0.7 L=10				*		2	
22		NM6040002SE		NUT M4X0.7				*		2	
23		SM4041201SC		SCREW M4 L=12				*		1	
24		SM4042001SC		SCREW M4 X 20				*		1	
25		NM6040002SE		NUT M4X0.7				*		2	
26		WP1612616SE		WASHER 16X30X2.6				*		2	
27	R	WS1643202KR	WP1612616SE	SPRING WASHER		A		*		1	2.00
27	R	WS1643202KR	40085796	SPRING WASHER		A		*		1	2.00
28		NM6160511SE		NUT M16X1.5				*		2	
29	R	22930705	40096354	THREAD GUIDE ARM JOINT				*		4	1.00

GAUGE PARTS COMPONENTS

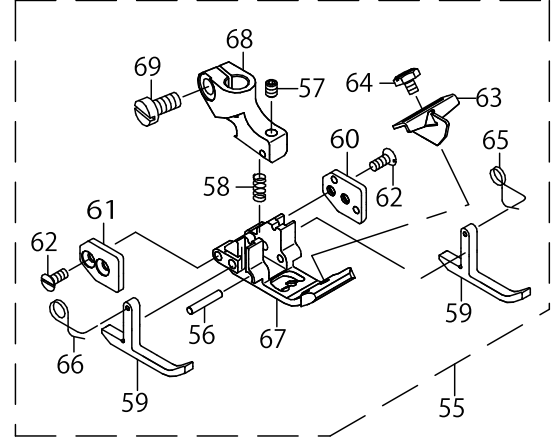
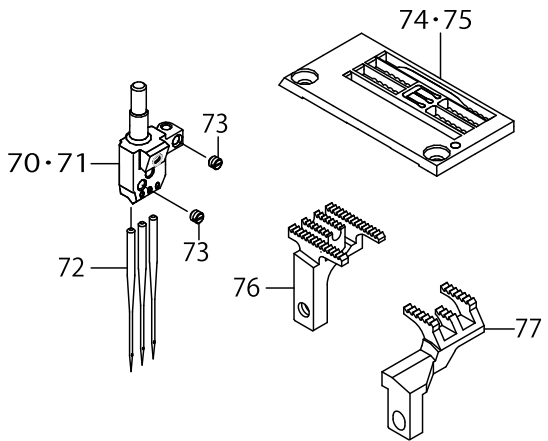
MF-7822-U10-B32  
MF-7822-U10-B40  
MF-7822-U10-B48



MF-7823-U10-B56 MF-7823D-U10-B56  
MF-7823-U10-B64 MF-7823D-U10-B64



MF-7823-K10-B56  
MF-7823-K10-B64

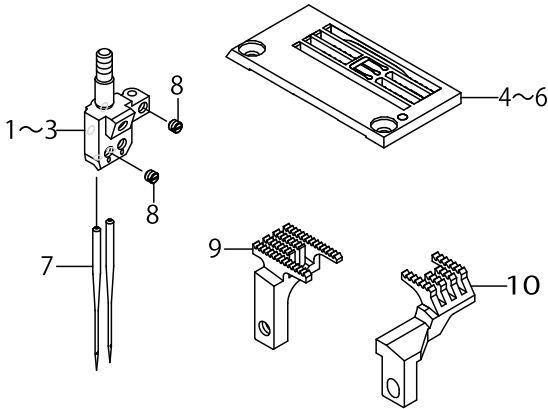


GAUGE PARTS COMPONENTS

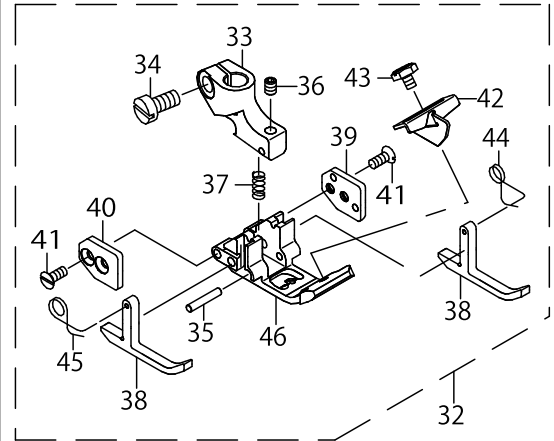
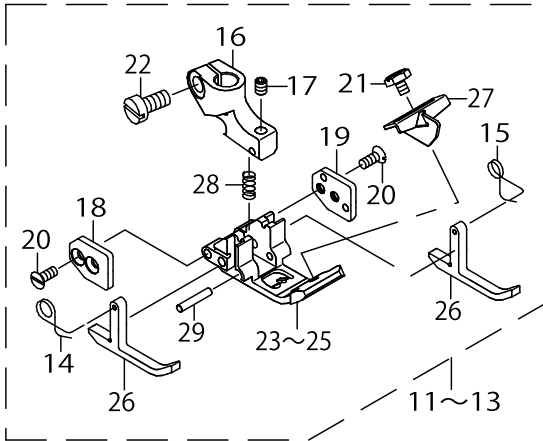
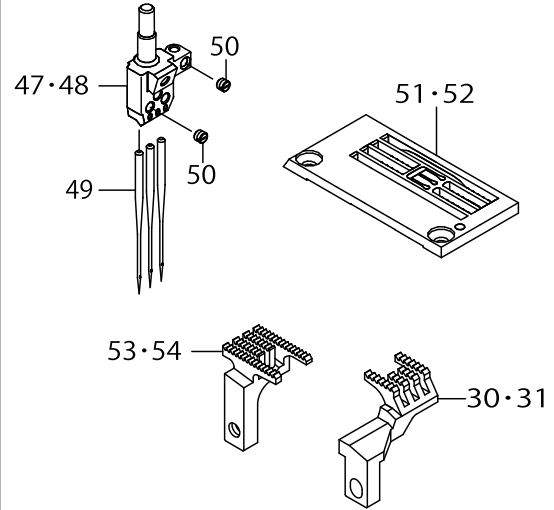
No.	Supply Code	Parts No.	Replacement	Parts name	Remarks	Choice	Step	Level	Cons	Qty	Rep. QTY
1		13350509		NEEDLE_HEAD_48	FOR MF-7-822-U10-B48					1	
2		13350004		NEEDLE_HEAD_32	FOR MF-7-822-U10-B32					1	
3		13350103		NEEDLE_HEAD_40	FOR MF-7-822-U10-B40					1	
4		40040514		THROAT_PLATE	FOR MF-7-822-U10-B48					1	
5		40058587		THROAT_PLATE	FOR MF-7-822-U10-B32					1	
6		40058706		THROAT_PLATE	FOR MF-7-822-U10-B40					1	
7		MUY128S1000		NEEDLE UYX128GAS #10						2	
8		SM8030350TP		SCREW						3	
9		13431200		MAIN_FEED_DOG						1	
10		13433503		DIFF_FEED_DOG						1	
11		13376058		PRESSER_FOOT_ASSY	FOR MF-7-822-U10-B48					1	
12		40058589		PRESSER_FOOT_ASSY	FOR MF-7-822-U10-B32					1	
13		40058708		PRESSER_FOOT_ASSY	FOR MF-7-822-U10-B40					1	
14		13375308		SPRING_L				*		1	
15		13375407		SPRING_R				*		1	
16	R	13375506	13375050	PRESSER_FOOT_HINGE		A	A:MF-7723-U10-B56	*		1	1.00
16	R	13375506	13376058	PRESSER_FOOT_HINGE		B	B:MF-7723-U10-B48	*		1	1.00
16	R	13375506	40049394	PRESSER_FOOT_HINGE		C	C:PRESSER for 7724-D60	*		1	1.00
17		SM8030412TP		SCREW				*		1	
18	R	13375605	13375050	GUIDE_PLATE_L		A	A:MF-7723-U10-B56	*		1	1.00
18	R	13375605	13376058	GUIDE_PLATE_L		B	B:MF-7723-U10-B48	*		1	1.00
18	R	13375605	40049394	GUIDE_PLATE_L		C	C:PRESSER for 7724-D60	*		1	1.00
19	R	13375704	13375050	GUIDE_PLATE_R		A	A:MF-7723-U10-B56	*		1	1.00
19	R	13375704	13376058	GUIDE_PLATE_R		B	B:MF-7723-U10-B48	*		1	1.00
19	R	13375704	40049394	GUIDE_PLATE_R		C	C:PRESSER for 7724-D60	*		1	1.00
20		SM1850600SP		SCREW				*		4	
21		13377007		SCREW				*		1	
22		SM6040800SP		SCREW				*		1	
23	R	13376009	13376058	PRESSER_FOOT_BOTTOM	FOR MF-7-822-U10-B48			*		1	1.00
24		40058588		PRESSER_FOOT_BOTTOM	FOR MF-7-822-U10-B32			*		1	
25	R	40058707	40058708	PRESSER_FOOT_BOTTOM_40	FOR MF-7-822-U10-B40			*		1	1.00
26	R	13375100	13375050	P_F_YIELDING_SECTION		A	A:MF-7723-U10-B56	*		2	1.00
26	R	13375100	13376058	P_F_YIELDING_SECTION		B	B:MF-7723-U10-B48	*		2	1.00
26	R	13375100	40049394	P_F_YIELDING_SECTION		C	C:PRESSER for 7724-D60	*		2	1.00
27		13376900		PRESSER_FOOT_GUIDE				*		1	
28		13377106		SPRING				*		1	
29		13375209		PIVOT_PIN				*		1	

GAUGE PARTS COMPONENTS

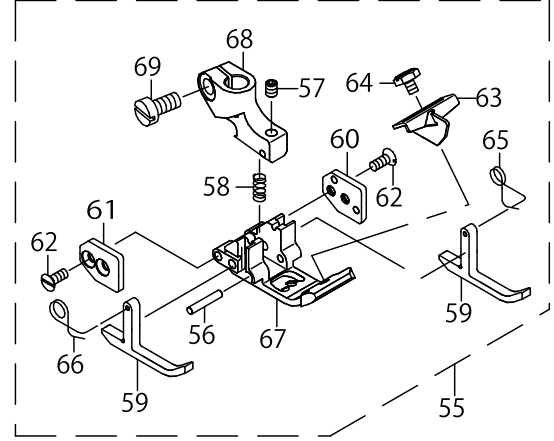
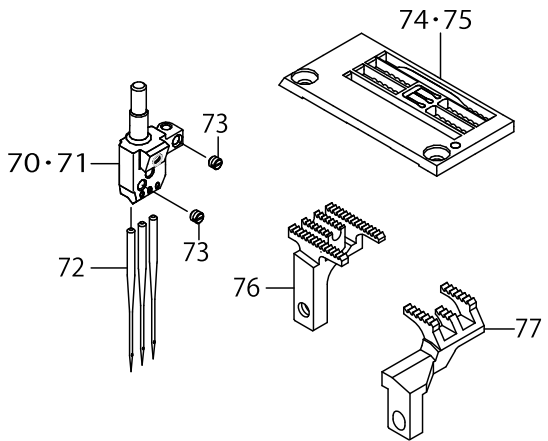
MF-7822-U10-B32  
MF-7822-U10-B40  
MF-7822-U10-B48



MF-7823-U10-B56 MF-7823D-U10-B56  
MF-7823-U10-B64 MF-7823D-U10-B64



MF-7823-K10-B56  
MF-7823-K10-B64

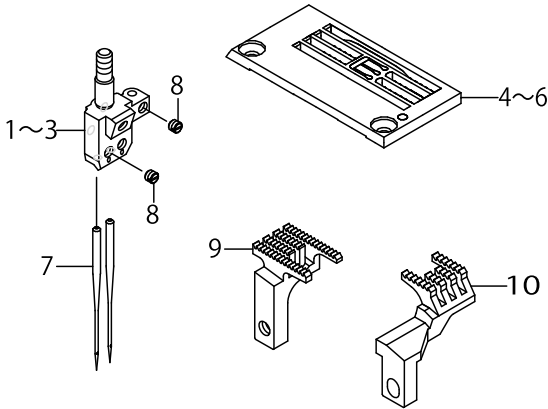


GAUGE PARTS COMPONENTS

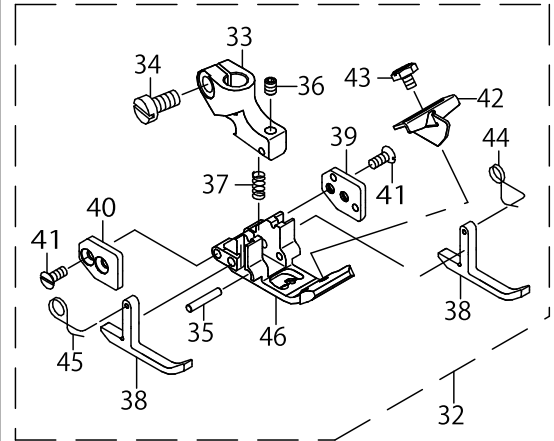
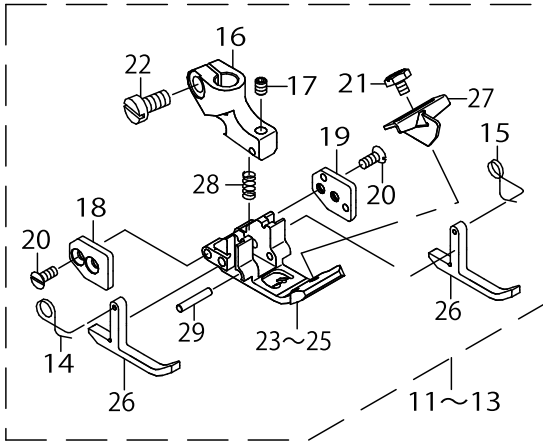
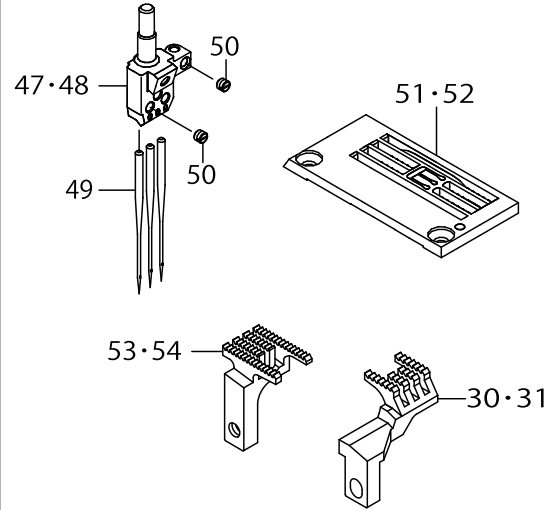
No.	Supply Code	Parts No.	Replacement	Parts name	Remarks	Choice	Step	Level	Cons	Qty	Rep. QTY
30		13433503		DIFF_FEED_DOG	FOR MF-7-823D-U10-B56					1	
31		13432109		DIFF_FEED_DOG	FOR MF-7-823D-U10-B64					1	
32		13375050		PRESSER_FOOT_ASSY						1	
33	R	13375506	13375050	PRESSER_FOOT_HINGE		A	A:MF-7723-U10-B56	*		1	1.00
33	R	13375506	13376058	PRESSER_FOOT_HINGE		B	B:MF-7723-U10-B48	*		1	1.00
33	R	13375506	40049394	PRESSER_FOOT_HINGE		C	C:PRESSER for 7724-D60	*		1	1.00
34		SM6040800SP		SCREW				*		1	
35		13375209		PIVOT_PIN				*		1	
36		SM8030412TP		SCREW				*		1	
37		13377106		SPRING				*		1	
38	R	13375100	13375050	P_F_YIELDING_SECTION		A	A:MF-7723-U10-B56	*		2	1.00
38	R	13375100	13376058	P_F_YIELDING_SECTION		B	B:MF-7723-U10-B48	*		2	1.00
38	R	13375100	40049394	P_F_YIELDING_SECTION		C	C:PRESSER for 7724-D60	*		2	1.00
39	R	13375704	13375050	GUIDE_PLATE_R		A	A:MF-7723-U10-B56	*		1	1.00
39	R	13375704	13376058	GUIDE_PLATE_R		B	B:MF-7723-U10-B48	*		1	1.00
39	R	13375704	40049394	GUIDE_PLATE_R		C	C:PRESSER for 7724-D60	*		1	1.00
40	R	13375605	13375050	GUIDE_PLATE_L		A	A:MF-7723-U10-B56	*		1	1.00
40	R	13375605	13376058	GUIDE_PLATE_L		B	B:MF-7723-U10-B48	*		1	1.00
40	R	13375605	40049394	GUIDE_PLATE_L		C	C:PRESSER for 7724-D60	*		1	1.00
41		SM1850600SP		SCREW				*		4	
42		13376900		PRESSER_FOOT_GUIDE				*		1	
43		13377007		SCREW				*		1	
44		13375407		SPRING_R				*		1	
45		13375308		SPRING_L				*		1	
46	R	13375001	13375050	PRESSER_FOOT_BOTTOM				*		1	1.00
47		13350301		NEEDLE_HEAD_56	FOR MF-7-823D-U10-B56					1	
48		13350400		NEEDLE_HEAD_64	FOR MF-7-823D-U10-B64					1	
49		MUY128S1000		NEEDLE UYX128GAS #10						3	
50		SM8030350TP		SCREW						4	
51		40040515		THROAT PLATE	FOR MF-7-823D-U10-B56					1	
52		40040513		THROAT PLATE	FOR MF-7-823D-U10-B64					1	
53		13431200		MAIN_FEED_DOG	FOR MF-7-823D-U10-B56					1	
54		13430103		MAIN_FEED_DOG	FOR MF-7-823D-U10-B64					1	
55		13375050		PRESSER_FOOT_ASSY						1	
56		13375209		PIVOT_PIN				*		1	
57		SM8030412TP		SCREW				*		1	
58		13377106		SPRING				*		1	
59	R	13375100	13375050	P_F_YIELDING_SECTION		A	A:MF-7723-U10-B56	*		2	1.00

GAUGE PARTS COMPONENTS

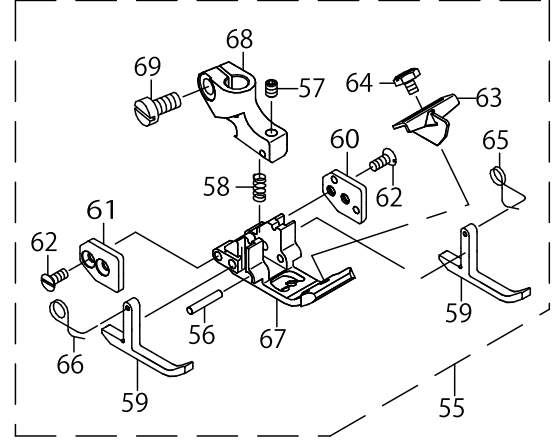
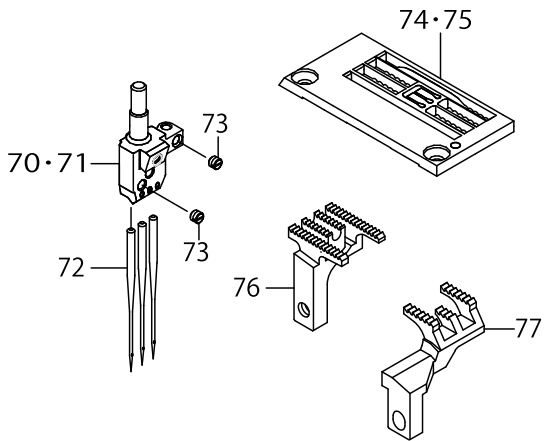
MF-7822-U10-B32  
MF-7822-U10-B40  
MF-7822-U10-B48



MF-7823-U10-B56 MF-7823D-U10-B56  
MF-7823-U10-B64 MF-7823D-U10-B64



MF-7823-K10-B56  
MF-7823-K10-B64

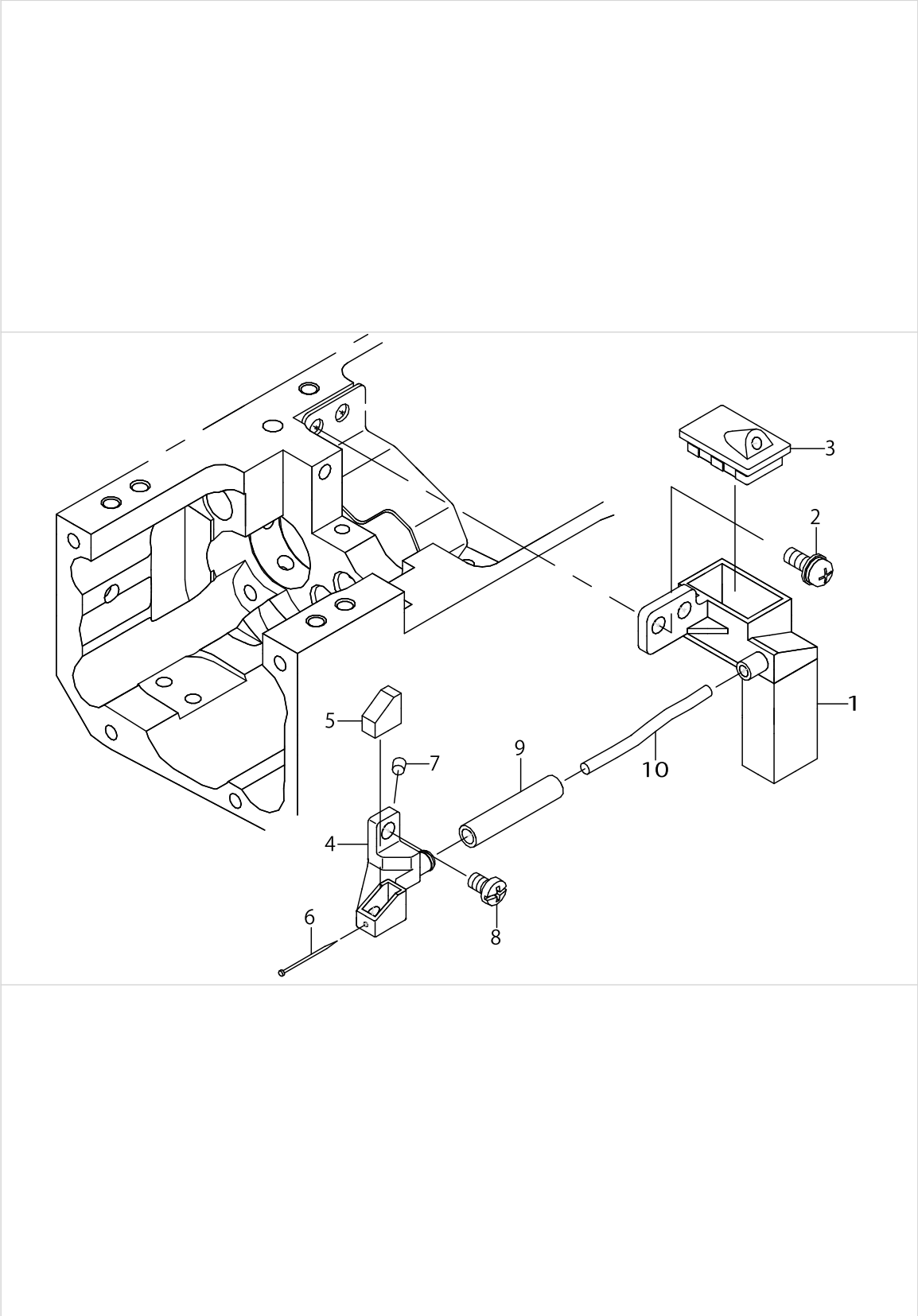


GAUGE PARTS COMPONENTS

No.	Supply Code	Parts No.	Replacement	Parts name	Remarks	Choice	Step	Level	Cons	Qty	Rep. QTY
59	R	13375100	13376058	P_F_YIELDING_SECTION		B	B:MF-7723-U10-B48	*		2	1.00
59	R	13375100	40049394	P_F_YIELDING_SECTION		C	C:PRESSER for 7724-D60	*		2	1.00
60	R	13375704	13375050	GUIDE_PLATE_R		A	A:MF-7723-U10-B56	*		1	1.00
60	R	13375704	13376058	GUIDE_PLATE_R		B	B:MF-7723-U10-B48	*		1	1.00
60	R	13375704	40049394	GUIDE_PLATE_R		C	C:PRESSER for 7724-D60	*		1	1.00
61	R	13375605	13375050	GUIDE_PLATE_L		A	A:MF-7723-U10-B56	*		1	1.00
61	R	13375605	13376058	GUIDE_PLATE_L		B	B:MF-7723-U10-B48	*		1	1.00
61	R	13375605	40049394	GUIDE_PLATE_L		C	C:PRESSER for 7724-D60	*		1	1.00
62		SM1850600SP		SCREW				*		4	
63		13376900		PRESSER_FOOT_GUIDE				*		1	
64		13377007		SCREW				*		1	
65		13375407		SPRING_R				*		1	
66		13375308		SPRING_L				*		1	
67	R	13375001	13375050	PRESSER_FOOT_BOTTOM				*		1	1.00
68	R	13375506	13375050	PRESSER_FOOT_HINGE		A	A:MF-7723-U10-B56	*		1	1.00
68	R	13375506	13376058	PRESSER_FOOT_HINGE		B	B:MF-7723-U10-B48	*		1	1.00
68	R	13375506	40049394	PRESSER_FOOT_HINGE		C	C:PRESSER for 7724-D60	*		1	1.00
69		SM6040800SP		SCREW				*		1	
70		13350301		NEEDLE_HEAD_56	FOR MF-7-823-K10-B56					1	
71		13350400		NEEDLE_HEAD_64	FOR MF-7-823-K10-B64					1	
72		MUY128S1000		NEEDLE UYX128GAS #10						3	
73		SM8030350TP		SCREW						4	
74		13352307		THROAT PLATE	FOR MF-7-823-K10-B56					1	
75		13352406		THROAT_PLATE	FOR MF-7-823-K10-B64					1	
76		13430707		MAIN_FEED_DOG						1	
77		13432901		DIFF_FEED_DOG						1	



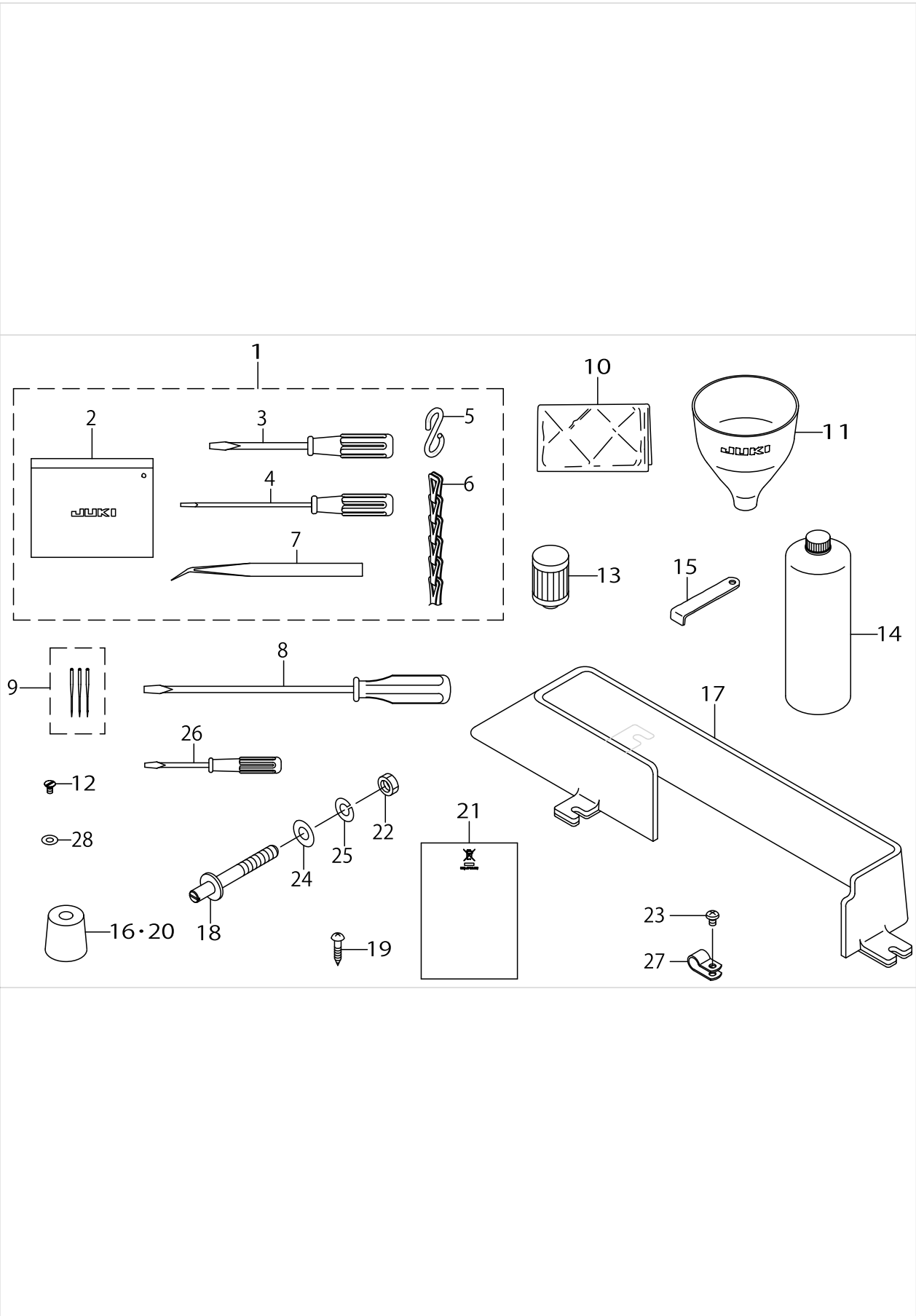
NEEDLE COOLING MECHANISM COMPONENTS



NEEDLE COOLING MECHANISM COMPONENTS

No.	Supply Code	Parts No.	Replacement	Parts name	Remarks	Choice	Step	Level	Cons	Qty	Rep. QTY
1		13429055		SILICONE OIL TANK ASSY						1	
2		SL4041081SC		SCREW M4 L=10						2	
3		13429105		SILICONE OIL TANK CAP						1	
4		13429204		SILICONE OIL CUP						1	
5		13429303		FELT						1	
6		11856101		NEEDLE COOLER PIN						1	
7		TA0290301M0		PLUG						1	
8		SM4040655SP		SCREW M4 L=6						1	
9		BT0600402EA		OIL TUBE						.03	
10		CQ303000000		OIL WICK						.1	

ACCESSORIES PARTS COMPONENTS



ACCESSORIES PARTS COMPONENTS

No.	Supply Code	Parts No.	Replacement	Parts name	Remarks	Choice	Step	Level	Cons	Qty	Rep. QTY
1		40013913		ACCESSORY_BAG_ASSY						1	
2		22932800		ACCESSORIE BAG				*		1	
3		22933105		SCREW DRIVER,MIDDLE				*		1	
4		12347308		SCREW DRIVER (SMALL)				*		1	
5		13160304		S SHAPED HOOK				*		2	
6		26037903		CHAIN				*		1	
7		12288403		TWEEZERS				*		1	
8		22933006		SCREW DRIVER,LARGE						1	
9		MUY128S1003		NEEDLES(PACKAGE_OF_3)						1	
10		40066645		HEAD_COVER						1	
11		13160601		FUNNEL						1	
12		13302203		SCREW						1	
13		13142500		CARTRIDGE_FILTER						1	
14		MML018900CA		JUKI MACHINE OIL 18						1	
15		B9101490000		DRIVER						1	
16		13155403		DUST-PROOF RUBBER						3	
17		13429709		BELT_COVER						1	
18		13349600		PIN_FOR_RUBBER_CUSHION						4	
19		SK3412001SE		WOOD SCREW D=4.1 L=20						3	
20		40072505		ISOLATOR						1	
21		CM600100201		WEEE INFORMATION SHEET						1	
22		NM6080003SC		NUT M8						4	
23		SM4040655SP		SCREW M4 L=6						1	
24		WP0851216SC		WASHER 8.5X18.0X1.2						4	
25		WS0820002KR		SPRING WASHER, M8						4	
26		22933204		SCREW DRIVER,SMALL						1	
27		HX00150000C		CABLE CLIP						1	
28		WP0450826SC		WASHER 4.5X10X0.8						3	

## HOW TO MAKE USE OF THIS PARTS LIST

1.As to "#01" and "#02" refer to the "Note" given at the bottom of the respective pages.

2.Codes on the "Qty" column

- Each numeral indicates the number of parts required.
- "0.1" and "2.5" indicate the length (in meters) of the respective parts.

3.Parentheses mean that the corresponding part is a subpart that constructs an assembly part.

4.Dotted lines on the Figures indicate assembly parts.

1. リストページの# 0 1、# 0 2の印は、ページ下の"注記"の説明を参照下さい。
2. 数量欄の数字は、個数を表し、0. 1、2. 5等の数値は、長さ（単位メートル）を表します。
3. 数量欄の（ ）は、組部品を構成している子部品であることを意味します。
4. イラストページの-----枠は、組構成であることを意味します。

NUMERICAL INDEX OF PARTS

PART NO	PAGE	REF NO.	PART NO	PAGE	REF NO.	PART NO	PAGE	REF NO.
10753309	6	8	13302500	6	30	13318803	18	15~17
11856101	56	6	13302658	4	54	13318902	18	15~17
12116604	18	37~41	13302708	2	43	13321203	26	57
12116703	18	37~41	13307004	10	1	13323308	18	9~11
12116802	18	37~41	13307251	10	4	13323407	18	9~11
12116901	18	37~41	13307301	10	7	13323506	18	9~11
12117008	18	37~41	13307459	10	9	13324009	10	17
12288403	58	7	13307509	10	11	13324108	10	51
12347308	58	4	13308309	10	37	13324108	12	51
13120605	20	91	13309000	10	35	13324207	10	18
13123302	16	76	13309158	10	32	13324306	28	3
13123302	26	58	13309208	10	23	13324504	28	5
13138201	42	22	13313101	14	25	13324603	28	8
13140504	42	9	13313309	14	26	13324702	28	10
13142500	46	59	13313408	14	27	13324801	28	12
13142500	58	13	13313606	14	33	13324900	28	13
13155403	58	16·20	13313705	14	29	13325006	28	15
13160304	58	5	13313804	14	37	13325105	28	17
13160601	58	11	13313903	14	40	13325204	28	23
13168000	48	10	13313952	14	39	13325402	28	28
13168109	48	11	13314109	14	44	13325501	28	30
13168208	48	12	13314406	16	51	13325600	28	34
13168307	48	5	13314505	16	58	13325709	28	31
13168356	48	4	13314703	16	56	13325808	30	57
13170105	46	50	13314752	16	55	13325907	30	58
13170402	32	35	13314802	16	54	13326004	30	59
13217401	26	54	13314901	16	59	13326103	30	60
13217500	26	53	13315007	16	49	13326202	6	43
13217708	26	56	13315106	16	61	13326202	30	61
13228200	44	33	13315205	16	47	13326301	30	48
13228309	44	29	13315304	16	63	13326350	30	47
13300801	6	11	13315353	16	62	13326400	30	49
13300900	2	10	13315502	16	67	13326509	30	51
13300959	2	9	13315551	16	66	13326608	30	53
13301007	2	14	13315601	16	72	13326707	30	63
13301304	2	15	13315650	16	71	13326806	14	16
13301403	2	26	13315700	16	73	13326905	28	37
13301700	2	20	13315809	16	74	13327002	28	40
13301809	2	30	13315908	14	30	13327101	28	43
13301908	6	29	13316203	14	41	13328208	32	5
13302203	6	12	13316302	14	34	13328802	32	21
13302203	58	12	13317300	18	21	13329206	32	28
13302302	2	52	13318001	20	67	13329404	32	23
13302302	4	52	13318308	20	75	13333208	14	42
13302401	2	28	13318704	18	15~17	13337100	12	53

# NUMERICAL INDEX OF PARTS

PART NO	PAGE	REF NO.	PART NO	PAGE	REF NO.	PART NO	PAGE	REF NO.
13338900	32	29	13375407	52	65	13402706	2	38
13340005	42	1	13375407	54	65	13402805	6	41
13340104	42	2	13375506	50	68	13402904	2	46
13340203	42	14	13375506	52	68	13403407	6	32
13340302	42	15	13375506	54	68	13403506	2	40
13340500	42	11	13375605	50	61	13403605	2	44
13340609	42	19	13375605	52	61	13406608	10	2
13340708	42	20	13375605	54	61	13406707	10	30
13341359	42	5	13375704	50	60	13406905	10	28
13341607	42	18	13375704	52	60	13407101	10	29
13343009	44	25	13375704	54	60	13407200	12	56
13343108	44	28	13376009	50	23~25	13407259	12	50
13343207	44	34	13376058	50	11~13	13407457	10	39
13343306	44	35	13376900	50	63	13407507	10	45
13343405	44	30	13376900	52	63	13407606	12	70
13343801	46	58	13376900	54	63	13407804	12	61
13344809	46	60	13377007	50	64	13407903	12	62
13345053	44	23	13377007	52	64	13408307	10	26
13345202	46	61	13377007	54	64	13408406	10	41
13346101	46	54	13377106	50	58	13408505	10	43
13346309	46	52	13377106	52	58	13408604	12	63
13346408	44	10	13399209	32	8	13408703	12	60
13348008	28	18	13400601	6	28	13408802	20	66
13349600	58	18	13400650	6	27	13409107	20	61
13350004	50	1~3	13400700	6	37	13409107	24	11
13350103	50	1~3	13400809	6	38	13409206	20	60
13350301	52	70·71	13400908	2	32	13409206	24	10
13350301	54	70·71	13400957	2	31	13409305	26	48
13350400	52	70·71	13401005	2	36	13409602	24	25
13350400	54	70·71	13401104	4	47	13409701	24	26
13350509	50	1~3	13401203	2	34	13409800	24	27
13352307	54	74·75	13401302	8	47	13409909	24	23
13352406	54	74·75	13401351	6	46	13410006	18	1
13375001	52	67	13401401	8	50	13410105	18	8
13375001	54	67	13401500	6	16	13410204	18	13
13375050	52	55	13401609	6	25	13410600	18	22~24
13375100	50	59	13401708	6	19	13410709	18	22~24
13375100	52	59	13401757	6	15	13410808	18	22~24
13375100	54	59	13401807	6	17	13411004	18	27
13375209	50	56	13401906	6	20	13411152	20	76
13375209	52	56	13402003	6	44	13411202	24	16
13375308	50	66	13402102	8	48	13411301	20	72
13375308	52	66	13402201	6	13	13411400	20	71
13375308	54	66	13402300	6	40	13411509	18	34
13375407	50	65	13402409	6	42	13411608	18	46

# NUMERICAL INDEX OF PARTS

PART NO	PAGE	REF NO.	PART NO	PAGE	REF NO.	PART NO	PAGE	REF NO.
13411707	20	59	13417902	34	8	13426200	44	32
13411707	24	9	13418009	34	21	13426309	46	47
13411806	20	64	13418207	34	17	13426408	46	49
13411806	24	14	13418306	34	2	13426606	46	55
13411806	32	12	13420005	36	8	13426754	44	5
13411905	20	53	13420104	36	11	13426903	46	73
13412002	20	50~52	13420203	36	15	13427257	44	15
13412101	20	50~52	13420302	36	17	13427307	44	22
13412200	20	50~52	13420401	36	1	13427455	44	12
13412705	24	38	13420500	36	5	13427604	46	57
13413208	24	39	13420609	36	6	13427703	44	9
13413307	20	86	13420708	36	14	13427752	44	8
13413406	24	3	13420807	36	3	13427802	44	2
13413604	24	6	13420906	36	18	13427851	44	1
13413703	20	81	13421003	36	10	13428008	44	14
13413802	20	82	13421201	36	2	13428255	44	7
13413901	20	79	13421300	36	12	13428305	44	3
13413950	20	78	13421409	36	19	13429055	56	1
13414008	20	80	13422001	38	1	13429105	56	3
13414107	20	84	13422605	40	48	13429204	56	4
13414206	24	20	13422704	38	16	13429303	56	5
13414305	18	36	13422803	38	18	13429709	58	17
13414404	18	43	13422902	38	23	13430103	52	53·54
13414503	20	56	13423009	38	21	13430707	54	76
13414701	26	47	13423108	38	24	13431200	50	53·54
13415104	24	46	13423306	38	39	13431200	52	53·54
13415500	20	63	13423405	38	32	13432109	52	30·31
13415500	24	13	13423504	38	36	13432901	54	77
13415708	18	26	13423603	38	35	13433503	50	30·31
13415807	18	28	13423702	38	40	13433503	52	30·31
13415906	18	29	13423801	38	43	13438007	2	1
13416052	24	29	13423900	40	47	13438106	2	2
13416102	24	31	13424106	12	58	13765607	44	4
13416201	24	32	13424205	12	57	22901805	2	7
13416458	24	35	13424304	40	49	22902506	2	11
13416508	24	37	13424403	38	13	22924708	6	10
13416706	24	41	13424452	38	12	22930309	48	13
13416854	24	40	13424502	38	15	22930408	48	7
13417100	26	55	13424601	38	30	22930705	48	29
13417209	34	1	13424700	38	42	22930804	48	17
13417308	34	3	13424809	38	46	22930903	48	16
13417407	34	4	13425202	38	27	22931000	48	15
13417506	34	10	13426002	44	27	22931109	48	14
13417704	34	7	13426051	44	24	22931307	48	8
13417803	34	14	13426101	44	31	22931406	48	6



NUMERICAL INDEX OF PARTS

PART NO	PAGE	REF NO.	PART NO	PAGE	REF NO.	PART NO	PAGE	REF NO.
22932800	58	2	40064975	12	59	40081402	32	10
22933006	58	8	40065784	42	17	40081954	6	6
22933105	58	3	40065785	42	6	40081956	6	9
22933204	58	26	40066136	42	8	40081965	12	76
22945505	30	52	40066645	58	10	40083514	44	17
22945802	30	50	40070559	14	28	40083520	32	3
23612609	28	9	40070573	14	24	B1248280000	18	42
23629306	44	68	40072505	58	16·20	B1426180A00	18	3~6
23629306	46	68	40072506	48	1	B1426180B00	18	3~6
23630007	6	31	40078277	10	22	B1426180C00	18	3~6
23630007	44	75	40078278	12	66~68	B1426180D00	18	3~6
23630007	46	75	40078279	12	66~68	B2008372000	42	16
26037903	58	6	40078280	12	66~68	B2107816000	38	19
30391601	28	24	40078282	12	75	B2546232000	18	30
40004573	32	31	40078283	10	13	B3121804000	42	12
40004749	44	41	40078284	10	16	B3215470000	20	70
40013913	58	1	40078285	14	2	B9101490000	58	15
40018259	14	31	40078290	14	3	B9213850000	28	19
40022406	4	58	40078291	14	10	B9214850000	28	20
40022804	38	41	40078292	14	4	BP30000010R	44	72
40033340	2	18	40078293	16	78	BP30000010R	46	72
40033341	2	19	40078293	32	33	BT0600402EA	56	9
40033518	2	17	40078294	14	13	CM300200001	2	8
40040154	24	43	40078295	14	14	CM301200001	6	5
40040155	26	51	40078296	14	21	CM600100101	4	56
40040208	24	44	40078299	14	19	CM600100201	58	21
40040513	52	51·52	40078300	14	20	CQ202000000	20	49
40040514	50	4~6	40078301	14	7	CQ300000001	12	65
40040515	52	51·52	40078302	14	12	CQ300000001	20	58
40042362	42	21	40078303	14	6	CQ300000001	24	5
40042363	42	13	40078304	14	8	CQ303000000	18	25
40042364	42	10	40078305	14	11	CQ303000000	56	10
40042365	42	24	40078306	14	5	CS0800881TP	16	52
40042366	42	23	40078307	14	46	CS1000881TP	26	49
40056675	48	9	40078309	32	11	CS1000881TP	28	6
40058587	50	4~6	40078310	32	7	CS1000881TP	32	19
40058588	50	23~25	40078311	32	13	CS1000881TP	38	9
40058589	50	11~13	40078312	32	16	E3025721000	20	62
40058706	50	4~6	40078313	32	17	E3025721000	24	12
40058707	50	23~25	40078314	32	18	HX00150000C	58	27
40058708	50	11~13	40078316	32	25	MML018900CA	58	14
40064969	34	26	40078317	14	18	MUY128S1000	50	72
40064970	34	16	40078318	32	1	MUY128S1000	52	72
40064971	34	12	40078319	32	4	MUY128S1000	54	72
40064974	34	23	40078320	14	1	MUY128S1003	58	9

# NUMERICAL INDEX OF PARTS

PART NO	PAGE	REF NO.	PART NO	PAGE	REF NO.	PART NO	PAGE	REF NO.
NM6040001SP	2	51	SB115002300	12	49	SM4041055SP	2	50
NM6040001SP	4	51	SB120001900	10	19	SM4041055SP	4	50
NM6040001SP	6	35	SB32600020A	38	3~7	SM4041055SP	6	51
NM6040001SP	18	90	SB32600020B	38	3~7	SM4041055SP	8	51
NM6040001SP	20	90	SB32600020C	38	3~7	SM4041055SP	28	14
NM6040001SP	44	19	SB32600020D	38	3~7	SM4041055SP	42	25
NM6040002SE	48	25	SB32600020E	38	3~7	SM4041055SP	46	62
NM6050001SC	20	92	SD0550906TP	12	52	SM4041201SC	48	23
NM6050001SE	48	20	SD0640246SP	2	24	SM4041655SP	42	7
NM6050001SP	18	33	SD0700206TP	14	45	SM4042001SC	48	24
NM6050001SP	30	54	SD0700586TP	16	65	SM4050855SP	4	57
NM6050001SP	32	27	SD0800626TH	24	8	SM4051055SP	12	55
NM6050001SP	38	20	SD0801636TH	20	55	SM4051255SP	4	55
NM6050001SP	46	44	SD0801866TH	24	7	SM4051255SP	24	52
NM6050003SC	22	93	SK3412001SE	58	19	SM4051255SP	26	52
NM6060001CP	16	69	SL4040805SC	4	61	SM4051405SE	48	19
NM6080003SC	58	22	SL4041081SC	56	2	SM4850455SP	24	34
NM6160511SE	48	28	SM0081001SD	46	51	SM4850455SP	28	42
PH0300252C0	6	22	SM1040800SP	2	37	SM4850455SP	34	19
PS0150042K0	8	49	SM1040800SP	28	46	SM5050855SN	4	59
PS0150042K0	38	17	SM1040860SP	6	45	SM6030500SN	14	36
PS0150082KH	28	21	SM1850600SP	50	62	SM6030600SP	4	48
PS0200142K0	34	6	SM1850600SP	52	62	SM6030600SP	34	13
PS0300122KH	12	64	SM1850600SP	54	62	SM6030650TP	24	33
PS0400082KP	10	36	SM4030455SN	2	22	SM6040600SP	34	15
PS0500142KP	16	60	SM4030455SP	14	32	SM6040600SP	44	37
PS0500202KP	24	2	SM4030455SP	28	33	SM6040800SP	24	21
RC1900002KP	46	74	SM4030455SP	38	29	SM6040800SP	30	56
RC2251213KP	18	7	SM4030655SP	6	33	SM6040800SP	32	24
RC4381514KP	12	73	SM4030655SP	14	17	SM6040800SP	36	4
RC4881514KP	12	72	SM4030655SP	28	45	SM6040800SP	50	69
RE0300000K0	2	41	SM4030855SN	28	26	SM6040800SP	52	69
RE0300000K0	16	77	SM4040655SN	26	60	SM6040800SP	54	69
RE0300000K0	24	1	SM4040655SP	2	29	SM6040870SP	6	39
RE0500000K0	18	74	SM4040655SP	6	21	SM6041000SP	14	38
RE0500000K0	20	74	SM4040655SP	28	62	SM6041000SP	20	83
RE0500000K0	34	9	SM4040655SP	30	62	SM6041000SP	34	20
RO037180100	6	24	SM4040655SP	34	22	SM6041000SP	38	38
RO037180100	34	5	SM4040655SP	42	4	SM6041002TP	38	44
RO055200100	20	73	SM4040655SP	44	56	SM6041200SP	14	43
RO068190100	20	77	SM4040655SP	46	56	SM6041200SP	32	22
RO068190100	24	45	SM4040655SP	56	8	SM6041202TP	16	64
RO118240100	38	26	SM4040655SP	58	23	SM6042000SP	20	89
RO195240100	8	52	SM4040855SP	6	36	SM6043000SP	44	36
RO445300100	12	74	SM4041001SC	48	21	SM6051000SP	14	15

# NUMERICAL INDEX OF PARTS

PART NO	PAGE	REF NO.	PART NO	PAGE	REF NO.	PART NO	PAGE	REF NO.
SM6051002TP	28	1	SM8050512TP	10	44	TA0600401R0	38	31
SM6051202TP	16	57	SM8050512TP	18	88	TA0850604R0	6	1
SM6051400SP	2	45	SM8050512TP	20	88	TA1050504R0	2	12
SM6051400SP	18	32	SM8050512TP	36	13	TA1250406R0	2	5
SM6051400SP	24	42	SM8050612TP	38	2	TA1701002R0	2	6
SM6051402TP	28	11	SM8050642TP	38	11	TA1900502R0	4	53
SM6051602TP	46	46	SM8050812TP	20	85	TA2050406R0	2	4
SM6060800SP	2	25	SM8050812TP	38	25	TA2351004R0	6	3
SM6060800SP	16	50	SM8060412TP	20	65	WP0280501SC	28	41
SM6061002TP	16	48	SM8060412TP	24	15	WP0280501SC	34	18
SM6061200SP	10	25	SM8060412TP	32	34	WP0320500SC	38	28
SM6061202TP	16	70	SM8060552TP	10	48	WP0320501SC	28	44
SM6061402TP	10	15	SM8060552TP	12	48	WP0430800SC	34	25
SM6061402TP	32	6	SM8060552TP	18	87	WP0450826SC	24	18
SM6061402TP	38	14	SM8060552TP	20	87	WP0450826SC	30	55
SM6061610SC	48	18	SM8060552TP	24	30	WP0450826SC	58	28
SM6081802TP	46	48	SM8060612TP	6	4	WP0450846SP	24	22
SM8030312TP	28	25	SM8060612TP	10	40	WP0460556SD	16	75
SM8030350TP	50	73	SM8060612TP	18	2	WP0460556SD	24	19
SM8030350TP	52	73	SM8060612TP	32	15	WP0522016SH	28	4
SM8030350TP	54	73	SM8060812TP	10	38	WP0550800SP	2	42
SM8030412TP	50	57	SM8060842TP	10	47	WP0550800SP	32	26
SM8030412TP	52	57	SM8060842TP	12	47	WP0550800SP	46	45
SM8040360TP	2	39	SM8061212TP	10	31	WP0550836SC	4	60
SM8040360TP	6	23	SM8080812TP	10	24	WP0621016SD	26	59
SM8040410TP	14	35	SM8550952TP	12	69	WP0702026SP	14	22
SM8040412TP	2	3	SM9061050TP	32	14	WP0851216SC	58	24
SM8040412TP	20	69	SM9062550TP	16	68	WP1022016SH	32	30
SM8040412TP	24	28	SQ0000451MZ	44	38	WP1612616SE	48	26
SM8040412TP	32	9	SQ0000452MZ	46	66	WS0510002KN	30	64
SM8040412TP	34	11	SQ0000453MZ	46	63	WS0510002KN	48	3
SM8040412TP	36	20	SQ0000454MZ	46	64	WS0510002KP	12	54
SM8040412TP	38	50	SQ2050391SD	44	13	WS0510002KP	28	2
SM8040412TP	40	50	SQ2050452MZ	44	42	WS0820002KR	58	25
SM8040512TP	24	36	SQ2060442SD	44	65	WS1643202KR	48	27
SM8040602TP	20	68	SQ2060442SD	46	65	WZ0641510KP	2	21
SM8041012TP	6	34	SQ2060443SD	44	67	WZ1052010KP	14	23
SM8050412TP	12	71	SQ2060443SD	46	67			
SM8050412TP	16	53	SQ2060451MZ	44	40			
SM8050412TP	26	50	ST4040851SN	28	22			
SM8050412TP	28	7	TA0290301M0	56	7			
SM8050412TP	32	20	TA0400301M0	38	8			
SM8050412TP	34	24	TA0500601M0	20	57			
SM8050412TP	38	10	TA0500601M0	24	4			
SM8050412TP	44	26	TA0600401R0	32	32			