

MODEL : DDL-9000A/PBN

List No : 1498-01

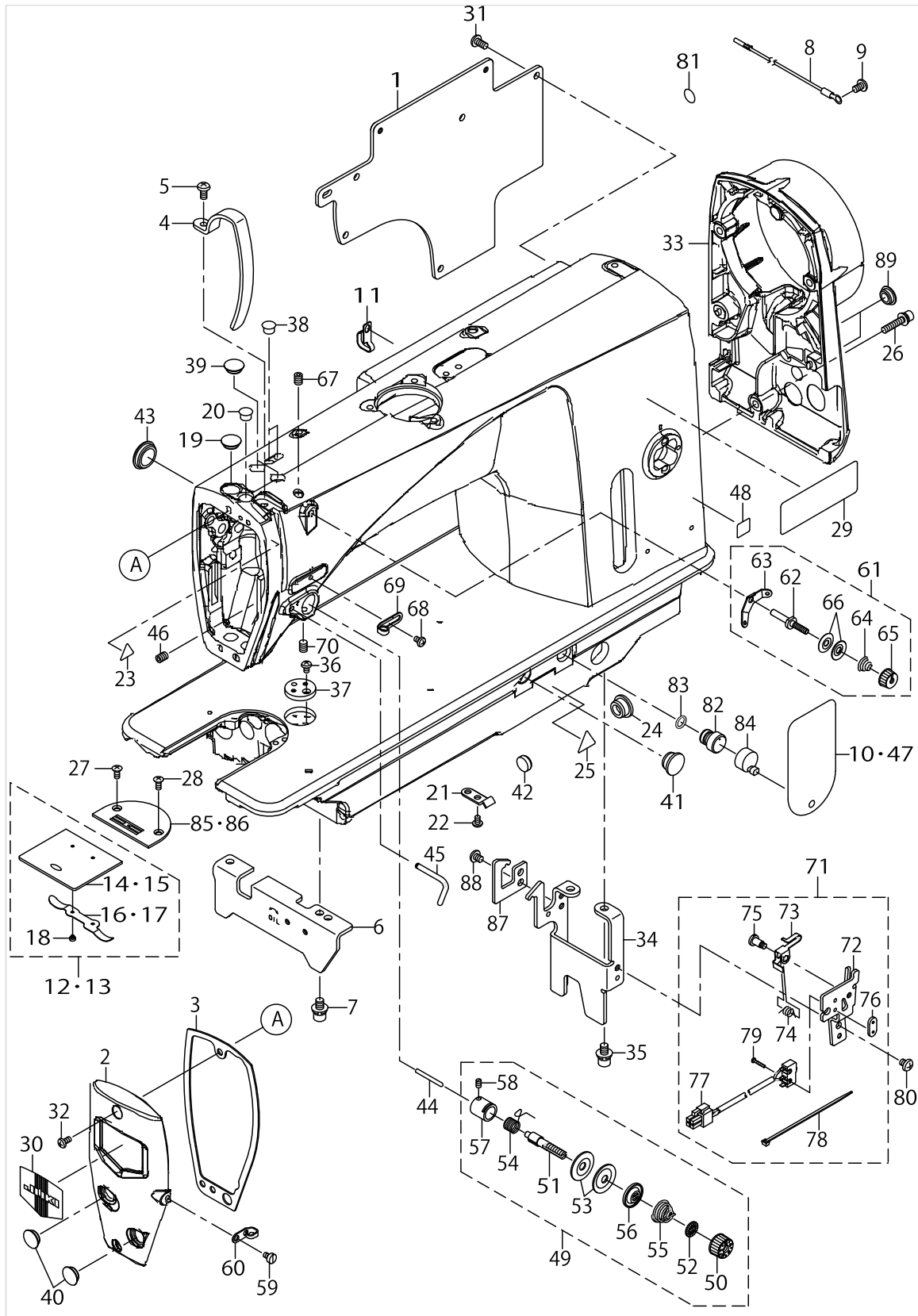
PARTS LIST

Published:05/12/2017

CONTENTS

MACHINE FRAME & MISCELLANEOUS COVER COMPONENTS	1
BOBBIN WINDER COMPONENTS.....	7
MAIN SHAFT & NEEDLE BAR COMPONENTS.....	9
HAND LIFTER & TENSION RELEASE COMPONENTS.....	13
FEED ADJUST MECHANISM COMPONENTS	17
HORIZONTAL FEED, VERTICAL FEED & HOOK DRIVING SHAFT COMPONENTS.....	21
THREAD TRIMMER COMPONENTS (1).....	25
THREAD TRIMMER COMPONENTS (2).....	29
OIL LUBRICATION COMPONENTS	31
AUTOMATIC REVERSE FEED COMPONENTS.....	33
CONDENSE COMPONENTS.....	35
WIPER COMPONENTS.....	37
THREAD HOLDER & AIR COMPONENTS	39
THREAD HAUL COMPONENTS.....	41
THREAD STAND COMPONENTS.....	43
UNDER COVER COMPONENTS.....	45
ACCESSORIE PART COMPONENTS	47
TABLE & STAND COMPONENTS.....	49
AUTOMATIC HAND LIFTER COMPONENTS.....	51
LIST FOR INFORMATION OF CHANGE.....	53
HOW TO MAKE USE OF THIS PARTS LIST	54

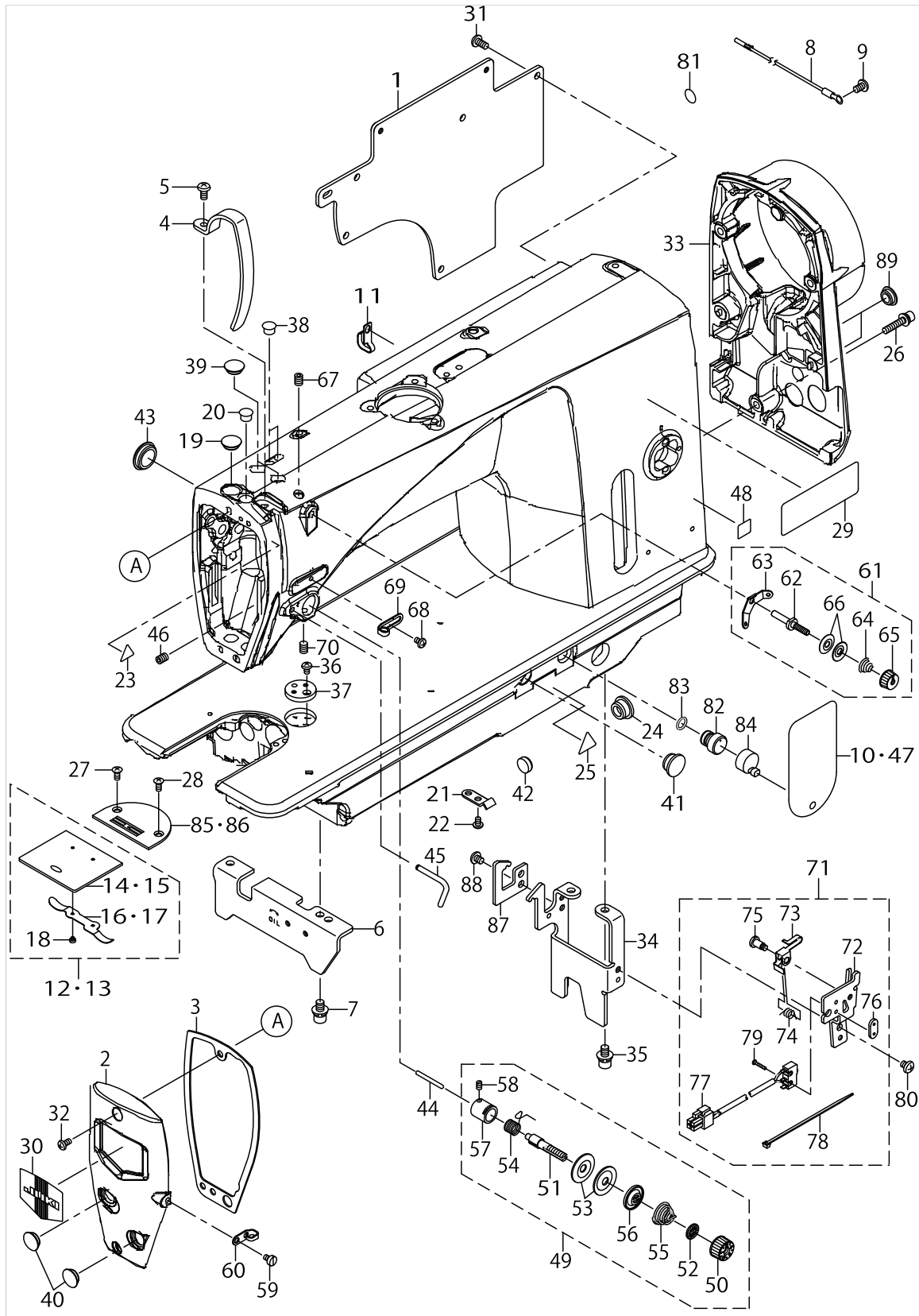
MACHINE FRAME & MISCELLANEOUS COVER COMPONENTS



MACHINE FRAME & MISCELLANEOUS COVER COMPONENTS

No.	Supply Code	Parts No.	Replacement	Parts name	Remarks	Choice	Step	Level	Cons	Qty	Rep. QTY
1		40067252		SIDE PLATE						1	
2		40041161		FACE PLATE						1	
3		23600406		FACE PLATE PACKING						1	
4		23600505		THREAD TAKE-UP LEVER COVER						1	
5		SM4051055SP		SCREW						1	
6		23600703		BED STUD A						1	
7		SL6061292TN		SCREW						2	
8		40061562		EARTH CORD ASM.						1	
9		SM4050855SP		SCREW						1	
10		40037488		SHEET	VARIOUS NOS.FOR DESTINATIONS					1	
11		40022407		CORD HOLDER						1	
12		22901250		SLIDE PLATE ASM.	VARIOUS NOS.FOR DESTINATIONS					1	
13		22902753		SLIDE PLATE ASM.	VARIOUS NOS.FOR DESTINATIONS					1	
14	R	22901201	22901250	SLIDE PLATE					*	1	1.00
15		22902704		SLIDE PLATE					*	1	
16		22901300		SLIDE PLATE SPRING					*	1	
17		22901300		SLIDE PLATE SPRING					*	1	
18		SS6060210SP		SCREW 3/32-56 L=1.9					*	2	
19		TA1250406R0		RUBBER PLUG D=12.5 L=4						1	
20		TA0850604R0		RUBBER PLUG						1	
21		22944508		WIRE PRESSER A						1	
22		SM4040655SP		SCREW M4 L=6						1	
23		CM300200001		ATTENTION SEAL						1	
24		TA1470704R0		RUBBER PLUG						1	
25		CM300200003		ATTENTION LABEL						1	
26		SL6052592TN		BOLT						3	
27		SM2040955TP		SCREW M4 L=8.5					☆	1	
28		SM2040955TP		SCREW M4 L=8.5					☆	1	
29		CM301300001		SAFETY LABEL						1	
30		22902506		FACE PLATE						1	
31		SM4051055SP		SCREW						5	
32		SM4050855SP		SCREW						2	
33		40062104		PULLEY_COVER						1	
34		40060815		BED STUD B						1	
35		SL6061292TN		SCREW						2	
36		SM4040655SP		SCREW M4 L=6						1	
37		40035589		RULER PLATE						1	
38		TA0850604R0		RUBBER PLUG						2	
39		TA1250406R0		RUBBER PLUG D=12.5 L=4						2	
40		TA1250406R0		RUBBER PLUG D=12.5 L=4						2	
41		TA1470704R0		RUBBER PLUG						1	
42		TA1270502R0		RUBBER PLUG						1	
43		TA1250406R0		RUBBER PLUG D=12.5 L=4						1	

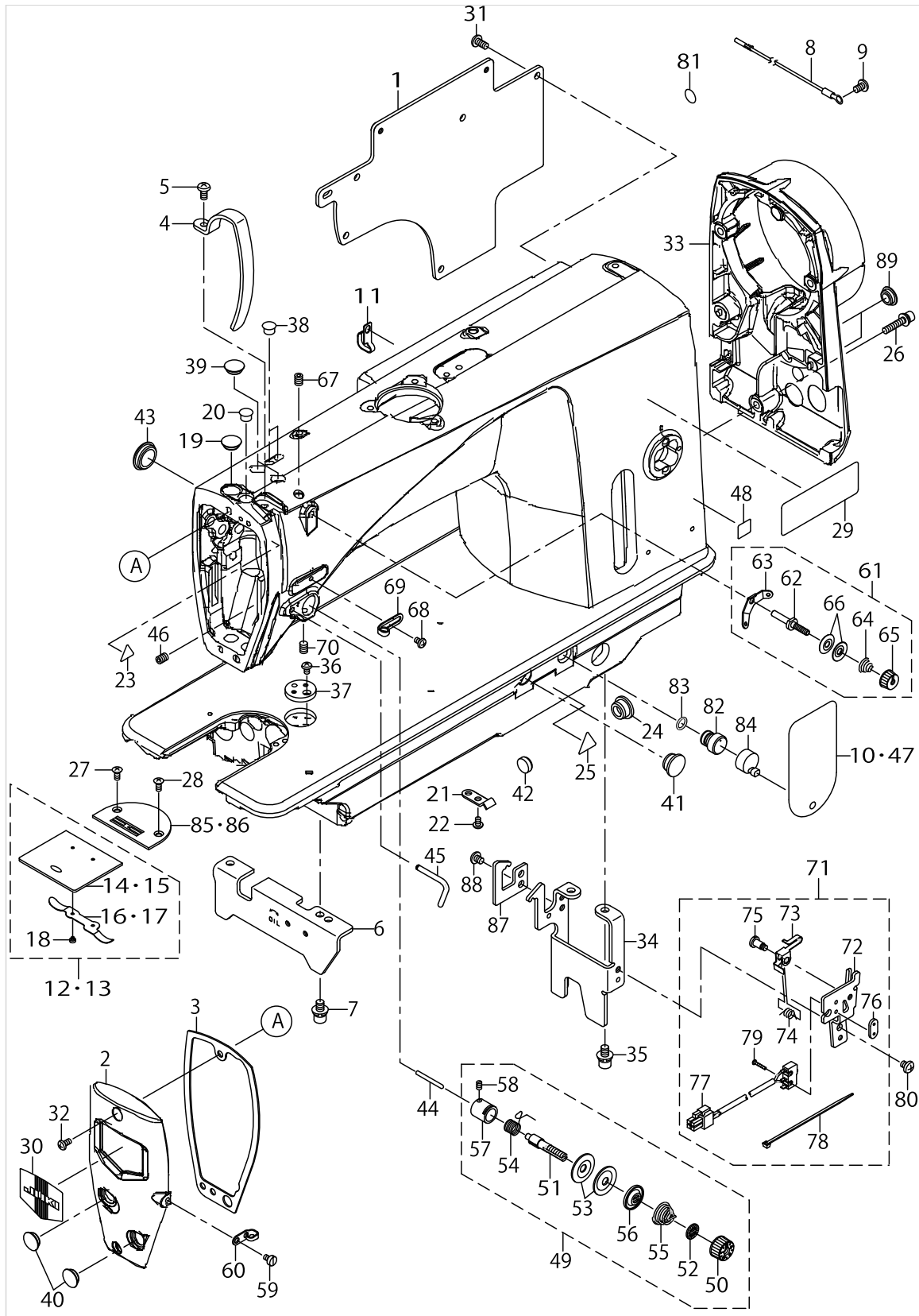
MACHINE FRAME & MISCELLANEOUS COVER COMPONENTS



MACHINE FRAME & MISCELLANEOUS COVER COMPONENTS

No.	Supply Code	Parts No.	Replacement	Parts name	Remarks	Choice	Step	Level	Cons	Qty	Rep. QTY
44		B3118552F00		TENSION RELEASING PIN						1	
45		40052933		ARMTHREADGUIDE C						1	
46		SM80608A2TP		L=8SCREW M6 L=8						1	
47		23640006		SHEET	VARIOUS NOS.FOR DESTINATIONS					1	
48		CM600100101		WEEE MARK LABEL S	VARIOUS NOS.FOR DESTINATIONS					1	
49	R	40024843	40086639	THREAD TENSION DISK ASM.						1	1.00
50		23626005		THREAD TENSION NUT				*		1	
51		B3115552000		TENSION POST				*		1	
52		B3120125000		ROTATING STOPPER				*		1	
53	R	B3126012000	22921506	THREAD TENSION DISK				*		2	1.00
54	R	B3128012000	22921605	TAKE-UP SPRING				*	☆	1	1.00
55		B3129012A00		TENSION SPRING				*		1	
56		B3132552000		THREAD TENSION DISK PRESSER				*		1	
57		40024845		TENSION POST SOCKET ASM.				*		1	
58		SS8090670SP		SCREW 9/64-40 L=5.5				*		1	
59		SS6110610TP		SCREW 11/64-40 L=6				*		1	
60		22920607		ARMTHREADGUIDEB				*		1	
61		22945463		THREAD TENSION ASM. ,NO.1				*		1	
62		22945414		THREAD TENSION POST				*		1	
63	R	22945604	22963458	THREAD TENSION GUIDE		A		*		1	1.00
63	R	22945604	22945463	THREAD TENSION GUIDE		B	DDL8700H--7/8700J--7/9000B, DLN6390-7 DDL8700-7 and so on	*		1	1.00
64		22945505		THREAD TENSION SPRING				*		1	
65		22945703		THREAD TENSION NUT				*		1	
66		22945802		THREAD TENSION DISK				*		2	
67		SM80608A2TP		L=8SCREW M6 L=8				*		1	
68		SM5040655SN		SCREW				*		1	
69		23626104		ARMTHREADGUIDEA				*		1	
70		SM80608A2TP		L=8SCREW M6 L=8				*		1	
71		40037002		SAFETY_SWITCH_ASM.				*		1	
72		40037018		SAFETY SWITCH BASE				*		1	
73		23638109		SAFETY SWITCH ARM				*		1	
74	R	23638208	23638059	SAFETY SWITCH SPRING				*		1	1.00
75		23638307		SAFETY SWITCH ARM SHAFT				*		1	
76	R	23638406	23638059	SAFETY SWITCH NUT				*		1	1.00
77		23638554		SAFETY SWITCH CORD ASM.				*		1	
78		EA9500B0100		CABLE BAND				*		1	
79		SM4021201SC		SCREW M2 L=12				*		2	
80		SM4050655SP		SCREW M5 L=6				*		1	
81		22901805		GROUND MARK				*		1	
82		23629900		AIR-DISCHARGING				*		1	
83		RO080150200		RUBBER RING				*		1	
84		23601305		AIR-DISCHARGING CAP				*		1	

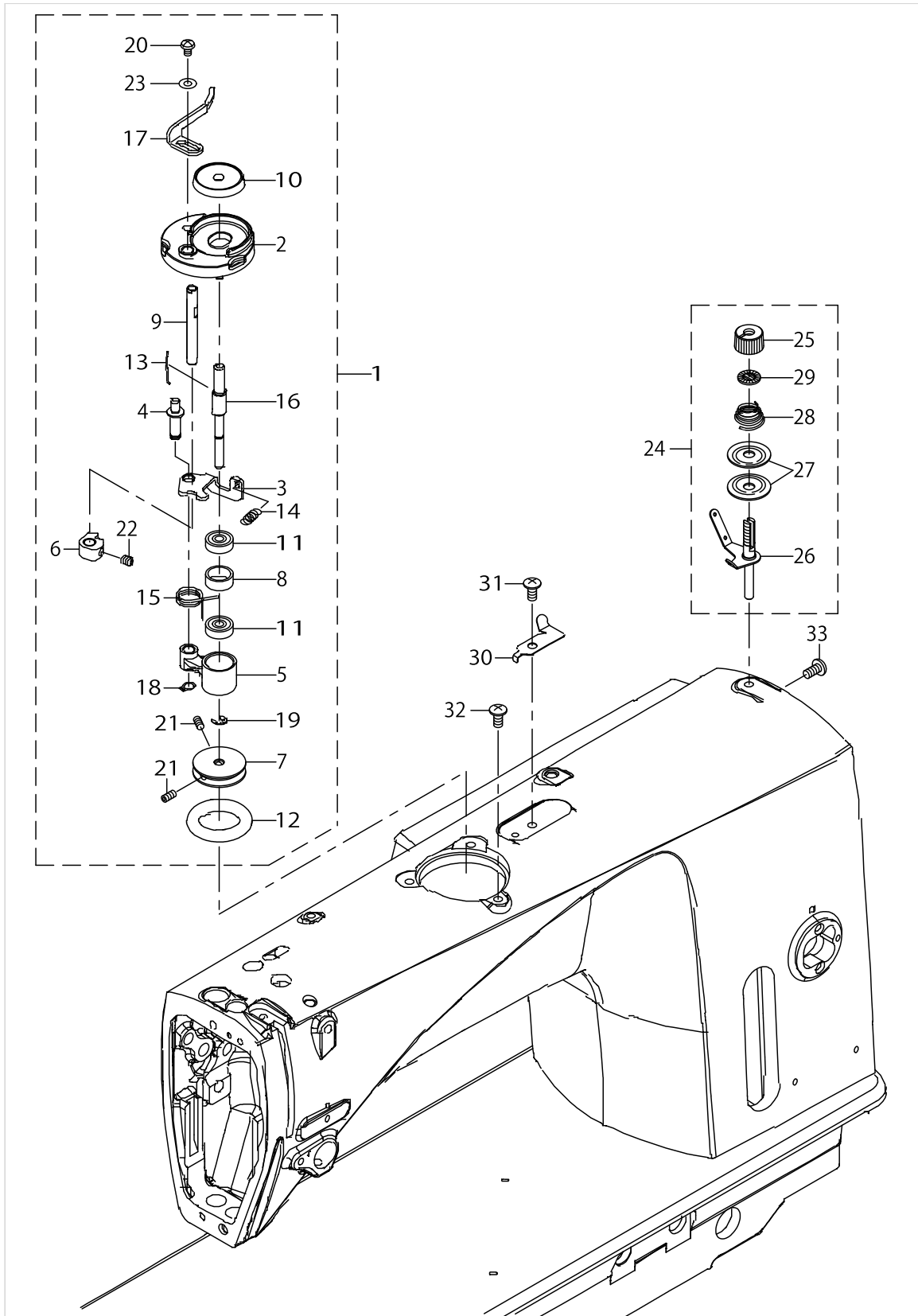
MACHINE FRAME & MISCELLANEOUS COVER COMPONENTS



MACHINE FRAME & MISCELLANEOUS COVER COMPONENTS

No.	Supply Code	Parts No.	Replacement	Parts name	Remarks	Choice	Step	Level	Cons	Qty	Rep. QTY
85		B1109012I0B		THROAT PLATE (I)	VARIOUS NOS.FOR DESTINATIONS					1	
86		11028008		THROAT PLATE	VARIOUS NOS.FOR DESTINATIONS					1	
87		40060814		BED STUD ANCHOR						1	
88		SM4050655SP		SCREW M5 L=6						2	
89		TA1250406R0		RUBBER PLUG D=12.5 L=4						2	

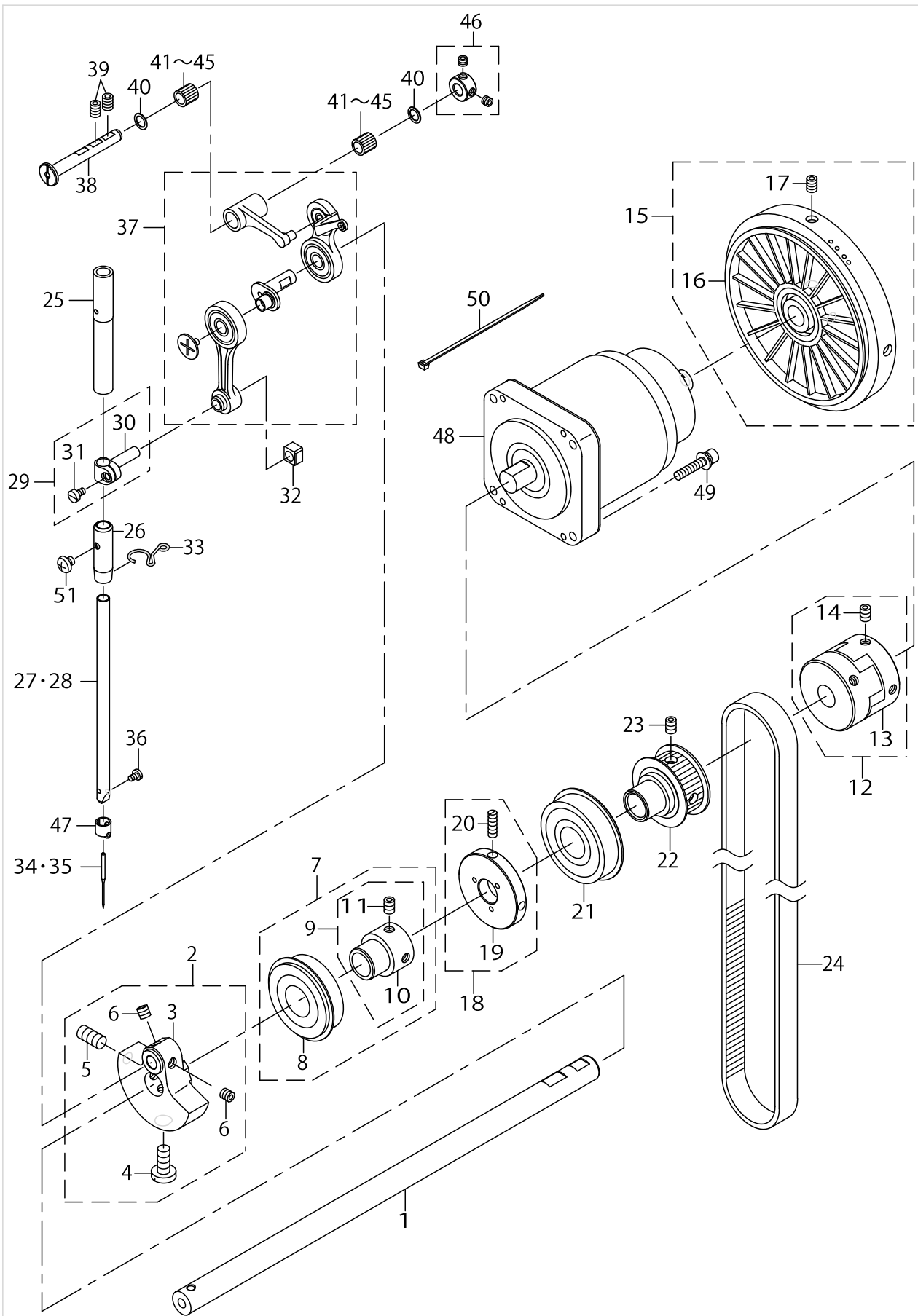
BOBBIN WINDER COMPONENTS



BOBBIN WINDER COMPONENTS

No.	Supply Code	Parts No.	Replacement	Parts name	Remarks	Choice	Step	Level	Cons	Qty	Rep. QTY
1		40023021		BOBBINWINDERUNIT						1	
2	R	26260109	26260000	BTW_BASE				*		1	1.00
3		26260208		BTW_CAM_PLATE				*		1	
4		26260307		BTW_BASE_SHAFT				*		1	
5		26260406		BTW_SHAFT_BASE				*		1	
6		26260505		BTW_CAM_LEVER				*		1	
7		26260604		BTW_WHEEL				*		1	
8	R	26260802	26260000	BTW_BEARING_SPACER				*		1	1.00
9		26261008		BTW_LEVER_SHAFT				*		1	
10		26261206		BTW_SPACER				*		1	
11	R	26261305	26260000	BTW_BEARING				*		2	1.00
12		26261503		BTW_WHEEL_RUBBER				*	☆	1	
13		26261602		BOBBIN_SPRING				*		1	
14		26261701		BTW_SPRING				*		1	
15		40011144		BTW_TORSION_SPRING				*		1	
16		40014837		BTW_SHAFT				*		1	
17		40023022		BTW LEVER				*		1	
18		RC0560711KP		RETAINING RING				*		1	
19		RE0400000K0		E-RING 4				*		1	
20		SM5040655SN		SCREW				*		1	
21		SM8040802TP		SCREW M4X8				*		2	
22		SM8050502TP		SCREW M5 L=5				*		1	
23		WP0450826SC		WASHER 4.5X10X0.8				*		1	
24	R	40040202	40088958	BOBBIN THREAD TENSION ASM.				*		1	1.00
25		11072204		TENSION NUT				*		1	
26	R	40040203	40088958	BOBBIN THREAD T- ENSION ROD ASM.				*		1	1.00
27	R	B3126012000	22921506	THREAD TENSION DISK				*		2	1.00
28		B3129012A00		TENSION SPRING				*		1	
29		B3120125000		ROTATING STOPPER				*		1	
30		40037008		THREAD_CUTTER				*	☆	1	
31		SM0051001SC		SCREW						1	
32		SM0051001SC		SCREW						3	
33		SM4051055SP		SCREW						1	

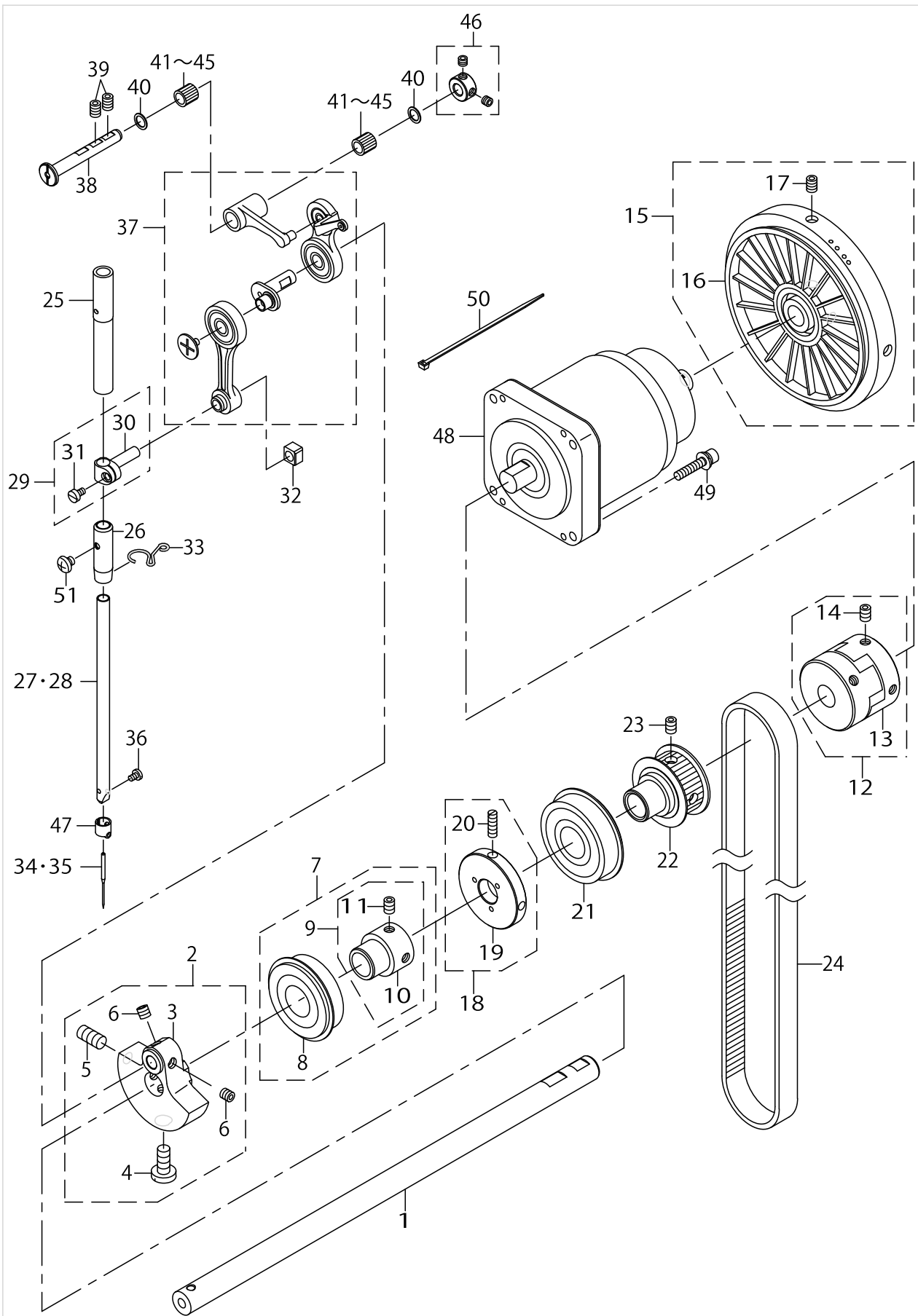
MAIN SHAFT & NEEDLE BAR COMPONENTS



MAIN SHAFT & NEEDLE BAR COMPONENTS

No.	Supply Code	Parts No.	Replacement	Parts name	Remarks	Choice	Step	Level	Cons	Qty	Rep. QTY
1		23604010		MAIN SHAFT						1	
2		40037003		ASSY_COUNTER_WEIGHT						1	
3	R	40025729	40037003	COUNTER WEIGHT				*		1	1.00
4		40004171		COUNTER_WEIGHT_SCREW				*		1	
5		SM8081652TP		SCREW M8 L=16				*		1	
6		SM80606A2TP		L=6SCREW M6 L=6				*		2	
7		23605256		BEARING SUPPORT COMPL.						1	
8		SB120001300		BEARING				*		1	
9		40044857		FRONT BEARING SUPPORT ASM.				*		1	
10		23605207		MAIN SHAFT BEARING SUPPORT				*		1	
11		SM80608A2TP		L=8SCREW M6 L=8				*		2	
12		40051473		COUPLING ASM.						1	
13		40051474		COUPLING				*		1	
14		SM80608A2TP		L=8SCREW M6 L=8				*		4	
15		40062371		HAND WHEEL ASM.						1	
16		40062372		HAND WHEEL				*		1	
17		SM80608A2TP		L=8SCREW M6 L=8				*		2	
18		40020454		BTW DRIVING WHEEL ASM.						1	
19		40020455		BTW DRIVING WHEEL				*		1	
20		SM8051610SP		SCREW M5 L=16				*		2	
21		SB120000800		BEARING						1	
22		40039946		SPROCKET ASM.						1	
23		SM80608A2TP		L=8SCREW M6 L=8						2	
24		23607302		TIMING BELT						1	
25		23608003		NEEDLE BAR METAL,UPPER						1	
26		40036347		NEEDLE BAR LOWER METAL B						1	
27		22886907		NEEDLE BAR (A)	VARIOUS NOS.FOR DESTINATIONS (FOR DBX1)					1	
28		22887004		NEEDLE BAR (B)	VARIOUS NOS.FOR DESTINATIONS (FOR DPX5)					1	
29		22906457		NEEDLE BAR HOLDER ASM.						1	
30	R	22906408	22906457	NEEDLERODHOLDER				*		1	1.00
31		SS6090670TP		SCREW 9/64-40 L=6				*		1	
32		B1414555000		SLIDE BLOCK						1	
33		23626203		NEEDLE BAR THREAD GUIDE						1	
34		MDB100B1100		NEEDLE DBX1 #11	VARIOUS NOS.FOR DESTINATIONS (FOR DBX1)				☆	1	
35		MC200500750		NEEDLE 134 NM75	VARIOUS NOS.FOR DESTINATIONS (FOR DPX5)				☆	1	
36		SS7080510TP		SCREW 1/8-44 L=4.5					☆	1	
37	R	40037370	40174341	THREAD TAKE UP COMP.						1	1.00
38		40035855		THREAD TAKE UP CRANK SHAFT						1	
39		SM80608A2TP		L=8SCREW M6 L=8						2	
40		22891204		BEARING SUPPORT						2	

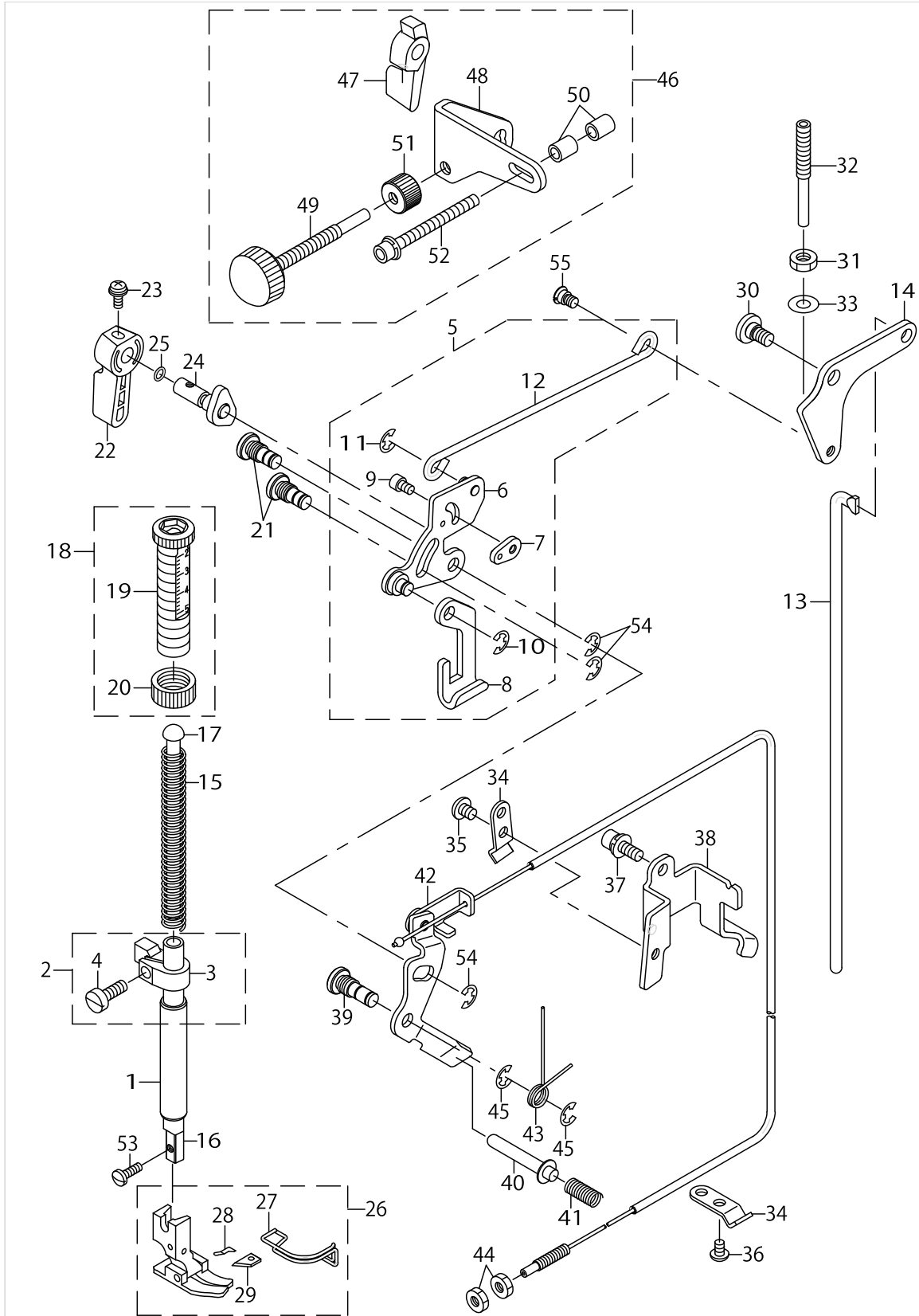
MAIN SHAFT & NEEDLE BAR COMPONENTS



MAIN SHAFT & NEEDLE BAR COMPONENTS

No.	Supply Code	Parts No.	Replacement	Parts name	Remarks	Choice	Step	Level	Cons	Qty	Rep. QTY
41		SB307000200		BEARING	SELECTIVE PARTS					2	
42		SB30700020A		BEARING	SELECTIVE PARTS					2	
43		SB30700020B		BEARING	SELECTIVE PARTS					2	
44		SB30700020C		BEARING	SELECTIVE PARTS					2	
45		SB30700020D		BEARING	SELECTIVE PARTS					2	
46		40010434		THRUST_COLLAR_ASM.						1	
47		22906309		NEEDLE BAR THREAD GUIDE						1	
48		40050265		AC_SERVO_MOTOR						1	
49		SL6052592TN		BOLT						4	
50		EA9500B0100		CABLE BAND						2	
51		SM4050501SC		SCREW M5X0.8 L=5						1	

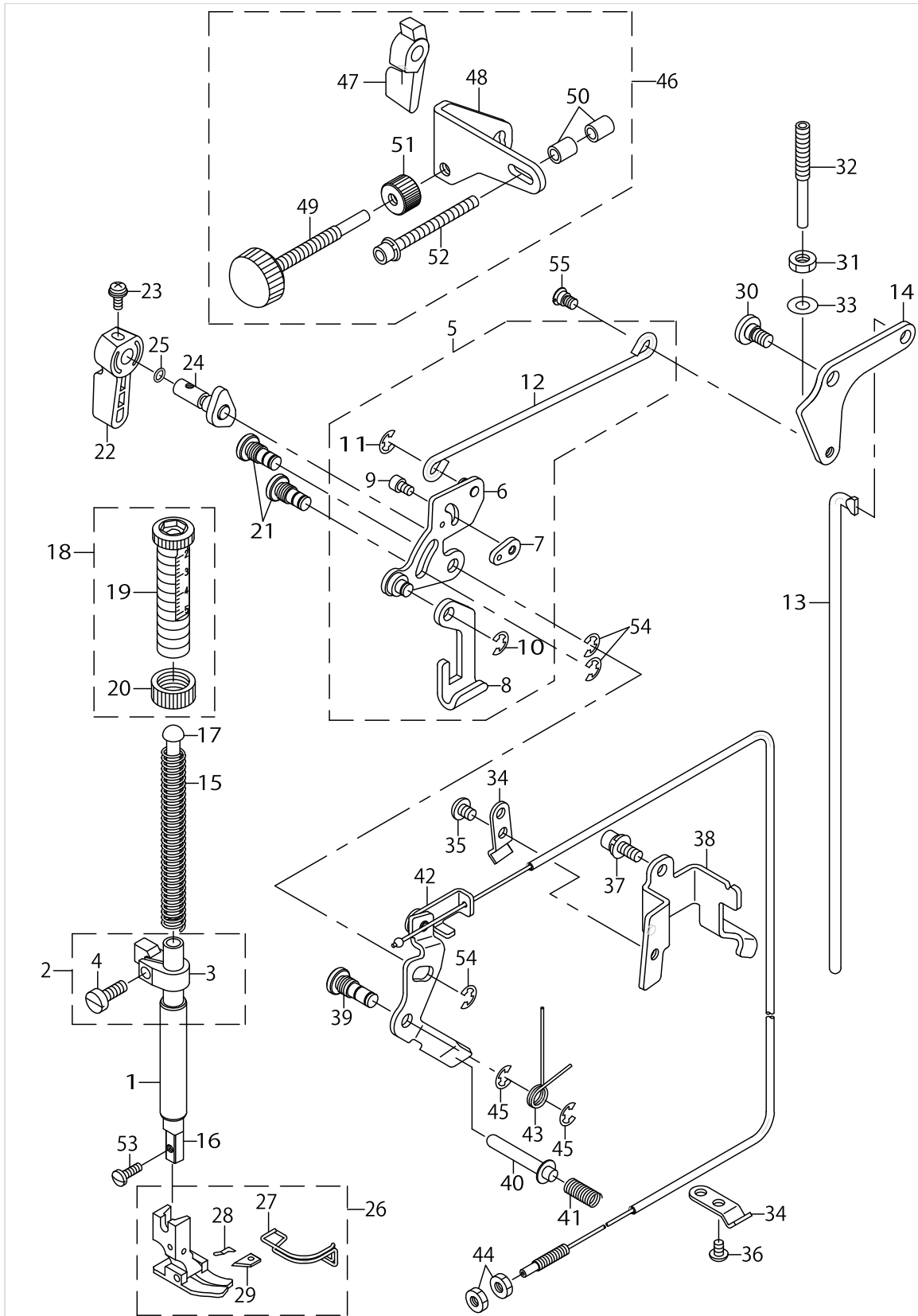
HAND LIFTER & TENSION RELEASE COMPONENTS



HAND LIFTER & TENSION RELEASE COMPONENTS

No.	Supply Code	Parts No.	Replacement	Parts name	Remarks	Choice	Step	Level	Cons	Qty	Rep. QTY
1		23609001		BUSHING						1	
2		40040264		PRESSER BAR GUIDE BRACKET ASM.						1	
3	R	40039078	40040264	PRESSER BAR GUIDE BRACKET				*		1	1.00
4		SM6051400SP		SCREW				*		1	
5		23609357		LIFTING LEVER CONNECT ROD ASM.						1	
6	R	23609456	23609357	LIFTING LINK COMPL.				*		1	1.00
7		23609605		PLATE				*		1	
8	R	22908008	22908354	LIFTING PLATE		A	DDL-5550 5550N 555- ON-7 5556- N-7 5600NL-7	*		1	1.00
8	R	22908008	23609357	LIFTING PLATE		B	DDL-9000A 9000B	*		1	1.00
8	R	22908008	40057398	LIFTING PLATE		C	LH-3500	*		1	1.00
8	R	22908008	40174387	LIFTING PLATE		D	DDL-9000C	*		1	1.00
9		SM6040602TP		SCREW M4 L=6				*		1	
10		RE0500000K0		E-RING				*		1	
11		RE0500000K0		E-RING				*		1	
12	R	23609308	23609357	LIFTING LEVER CONNECT ROD				*		1	1.00
13		23609803		CONNECTING ROD						1	
14		23609704		LIFTING LEVER LINK						1	
15		22907406		PRESSER SPRING						1	
16		23610207		PRESSER BAR						1	
17		23610306		PRESSER GUIDE BAR						1	
18		40037359		PRESSER SPRING REGULATOR ASM.						1	
19	R	40037141	40037359	PRESSER SPRING REGULATOR				*		1	1.00
20	R	40037144	40037359	PRESSER SPRING REGULATOR NUT				*		1	1.00
21		40050583		LINK SHAFT						2	
22		22907802		HAND LIFTER						1	
23		B1521555000		SCREW						1	
24		22908552		HAND LIFTER CAM ASM.						1	
25		RO037180100		RUBBER RING						1	
26		40070134		PRESSER FOOT ASM					☆	1	
27		40070074		NEEDLE GUARD				*		1	
28		11434313		FIXING SPRING				*	☆	1	
29		11434206		THREAD CUTTER KNIFE				*	☆	1	
30		SD0720336SP		SHOULDER SCREW						1	
31	R	NM6060003SE	NM6060003SC	NUT FOR BRACKET						1	1.00
32		40036706		ADJUSTING SCREW						1	
33		WP0621016SD		WASHER 6.2X13X1						1	
34		22944508		WIRE PRESSER A						2	
35		SM4050655SP		SCREW M5 L=6						1	
36		SM4040655SP		SCREW M4 L=6						1	
37		SL6051492TN		BOLT						1	
38		40039708		WIRE HOLDER						1	
39		40050582		TENSION RELEASE SHAFT						1	
40		22920300		THREAD RELEASE SUPPORTING PIN						1	

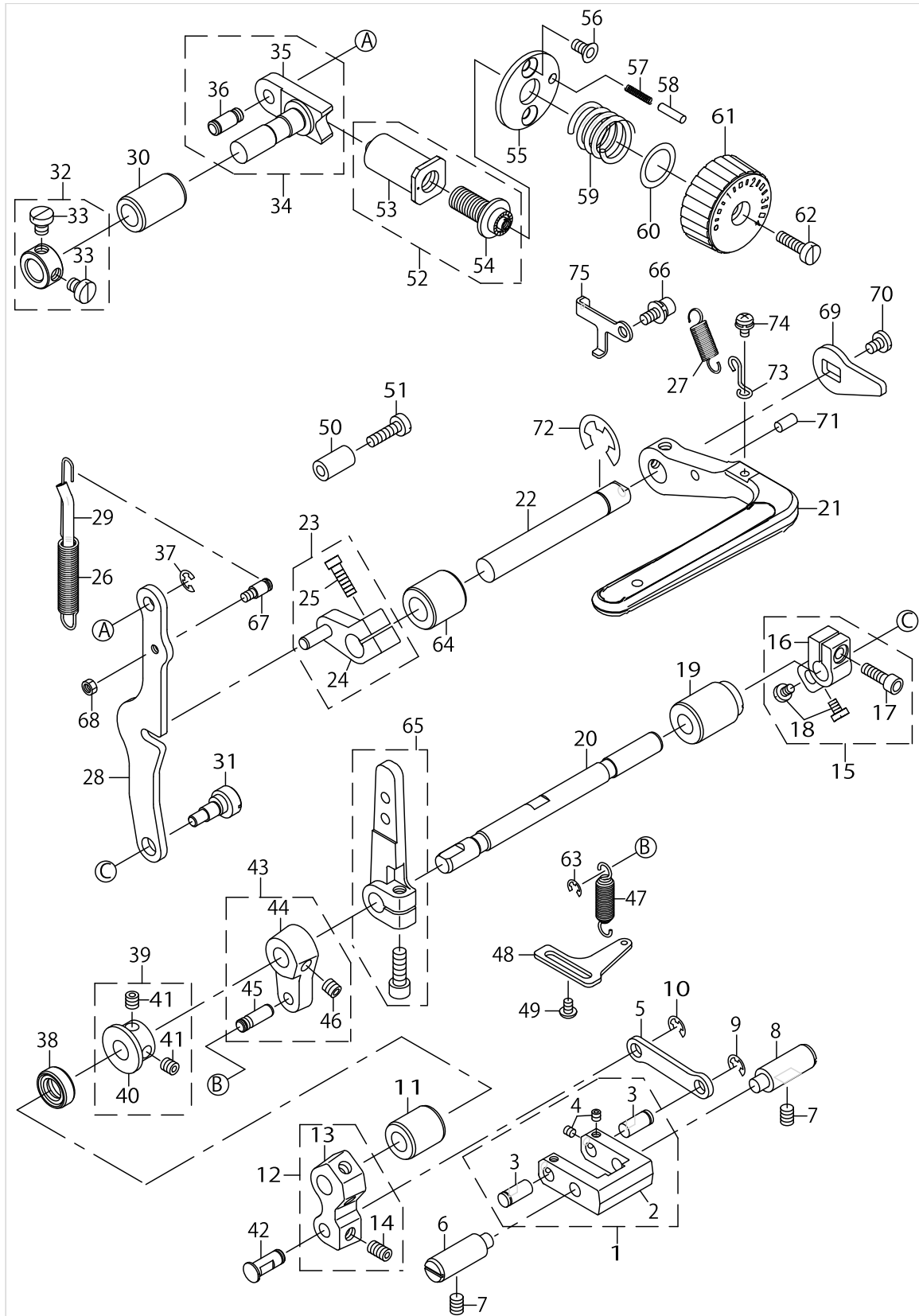
HAND LIFTER & TENSION RELEASE COMPONENTS



HAND LIFTER & TENSION RELEASE COMPONENTS

No.	Supply Code	Parts No.	Replacement	Parts name	Remarks	Choice	Step	Level	Cons	Qty	Rep. QTY
41		22920409		THREAD RELEASE PIN SPRING						1	
42		23626351		THREAD TENSION RELEASE WIRE						1	
43		23626807		TENSION RELEASE RETURN SPRING						1	
44		NS6620310SP		NUT 3/16-32						2	
45		RE050000K0		E-RING						2	
46		40056622		MINUTE LIFTING DEVICE ASM.	OPTIONAL PARTS					1	
47		23611106		HAND LIFTER				*		1	
48		23610504		STOPPER BASE				*		1	
49		23610652		STOPPER SCREW ASM.				*		1	
50		D5119206K0K		SPACER				*		2	
51		23610702		STOPPER SCREW NUT				*		1	
52		SL6053592TN		BOLT				*		1	
53		SS7091110TP		SCREW 9/64-40 L=10.5					☆	1	
54		RE050000K0		E-RING						3	
55		22908909		HINGE SCREW						1	

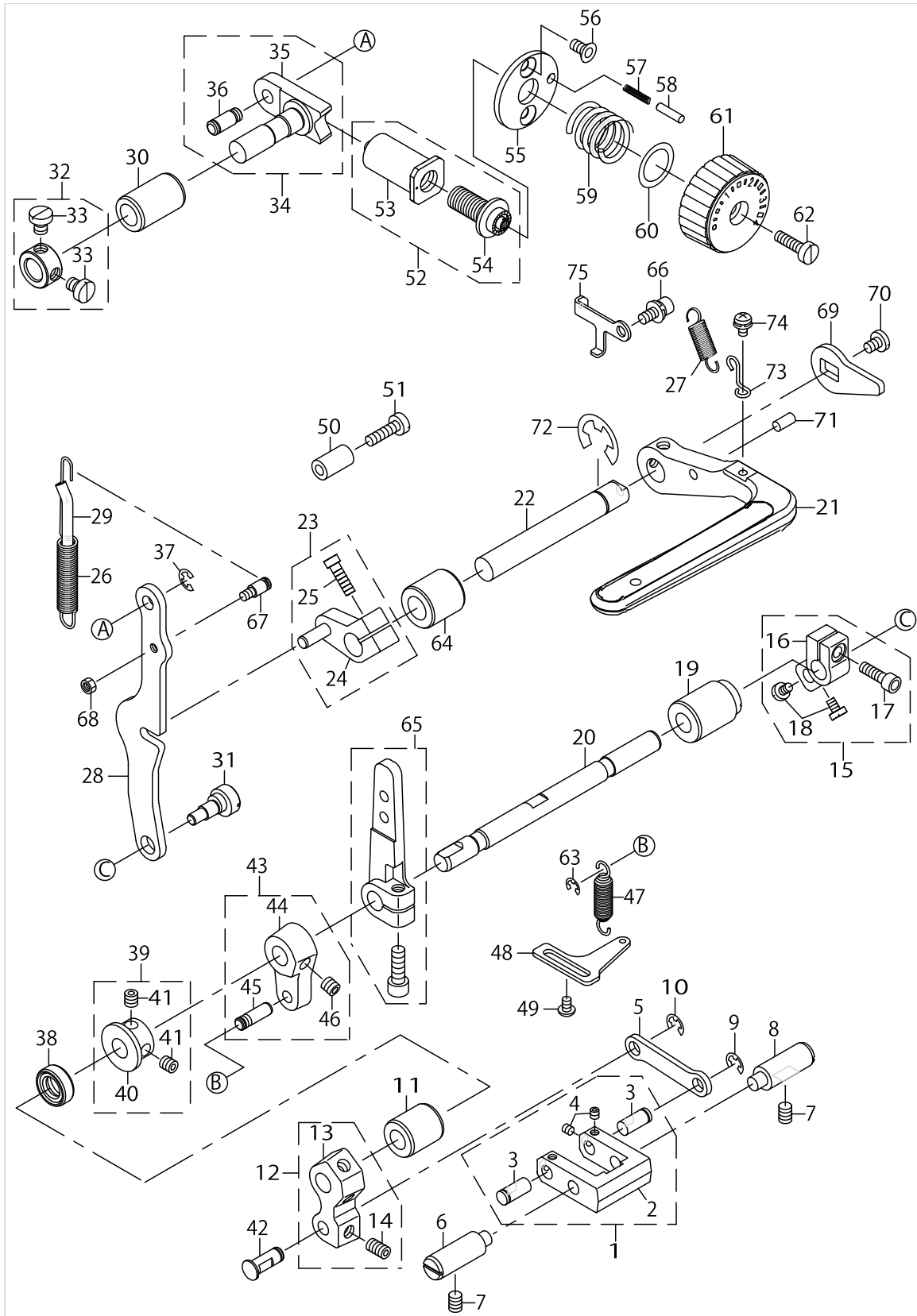
FEED ADJUST MECHANISM COMPONENTS



FEED ADJUST MECHANISM COMPONENTS

No.	Supply Code	Parts No.	Replacement	Parts name	Remarks	Choice	Step	Level	Cons	Qty	Rep. QTY
1		40037188		ADJUSTING LINK ASM.						1	
2		40026272		ADJUSTING LINK				*		1	
3		40033393		ADJUSTING LINK PIN				*		2	
4		SM80404A2TP		CREW M4 L=4				*		4	
5		23612104		ADJUSTING LINK C- ONNECTING LINK						1	
6		40012032		ADJUSTING LINK F- ULCRUM SHAFT						2	
7		SM80608A2TP		L=8SCREW M6 L=8						2	
8		40040370		ADJUSTING LINK F- ULCRUM SHAFT B						1	
9		RE0500000K0		E-RING						1	
10		RE0500000K0		E-RING						1	
11		23612807		METAL,A						1	
12		40056502		FEED CHANGING S- HAFT ARM A ASM.						1	
13		40053465		FEED CHANGING SHAFT ARM A				*		1	
14		SS8661012TP		SCREW				*		3	
15	R	40037191	40073953	FEED CHANGING S- HAFT ARM B ASM.						1	1.00
16		40026274		FEED CHANGING SHAFT ARM B				*		1	
17		SM6051602TP		SCREW M5X0.8 L=16				*		1	
18		SM9040600SP		HEAXGON BOLT				*		2	
19		40060869		FEED CHANGING SHAFT METAL B						1	
20		40037017		FEED CHANGING SHAFT						1	
21		40060809		REVERSE FEED LEVER						1	
22		40060807		FEED LEVER SHAFT						1	
23		40061012		FEED LEVER ARM ASM.						1	
24		23613904		FEED LEVER ARM				*		1	
25		SS6121860SP		SCREW 3/16-28 L=18				*		1	
26		40060817		FEED ADJUSTING SPRING						1	
27		26226209		SPRING						1	
28		40060823		FEED ADJUSTING ROD						1	
29		23630007		TUBE						.07	
30		23613508		ADJUSTING BASE SHAFT METAL						1	
31		40028112		FEED_ADJUSTING_PIN						1	
32		CS111101CSH		THRUST COLLAR A- SM.D=11.11 W=10						1	
33		SS6660710TP		SCREW 1/4-40 L=7				*		2	
34		40036344		FEED REGULATOR ASSY						1	
35		40036343		FEED REGULATOR				*		1	
36		40040499		FEED REGUKATOR PIN				*		1	
37		RE0500000K0		E-RING						1	
38		23612609		FEED CHANGING SHAFT OIL SEAL						1	
39		40055585		THRUST COLLAR ASM.						1	
40	R	23612716	23612765	THRUST COLLAR				*		1	1.00
41		SS8660612TP		SCREW 1/4-40 L=6				*		2	
42		40053340		ADJUSTING LINK PIN						1	
43		40053450		FEED CHANGING S- HAFT ARM C ASM.						1	
44		40050221		FEED CHANGING SHAFT ARM C				*		1	

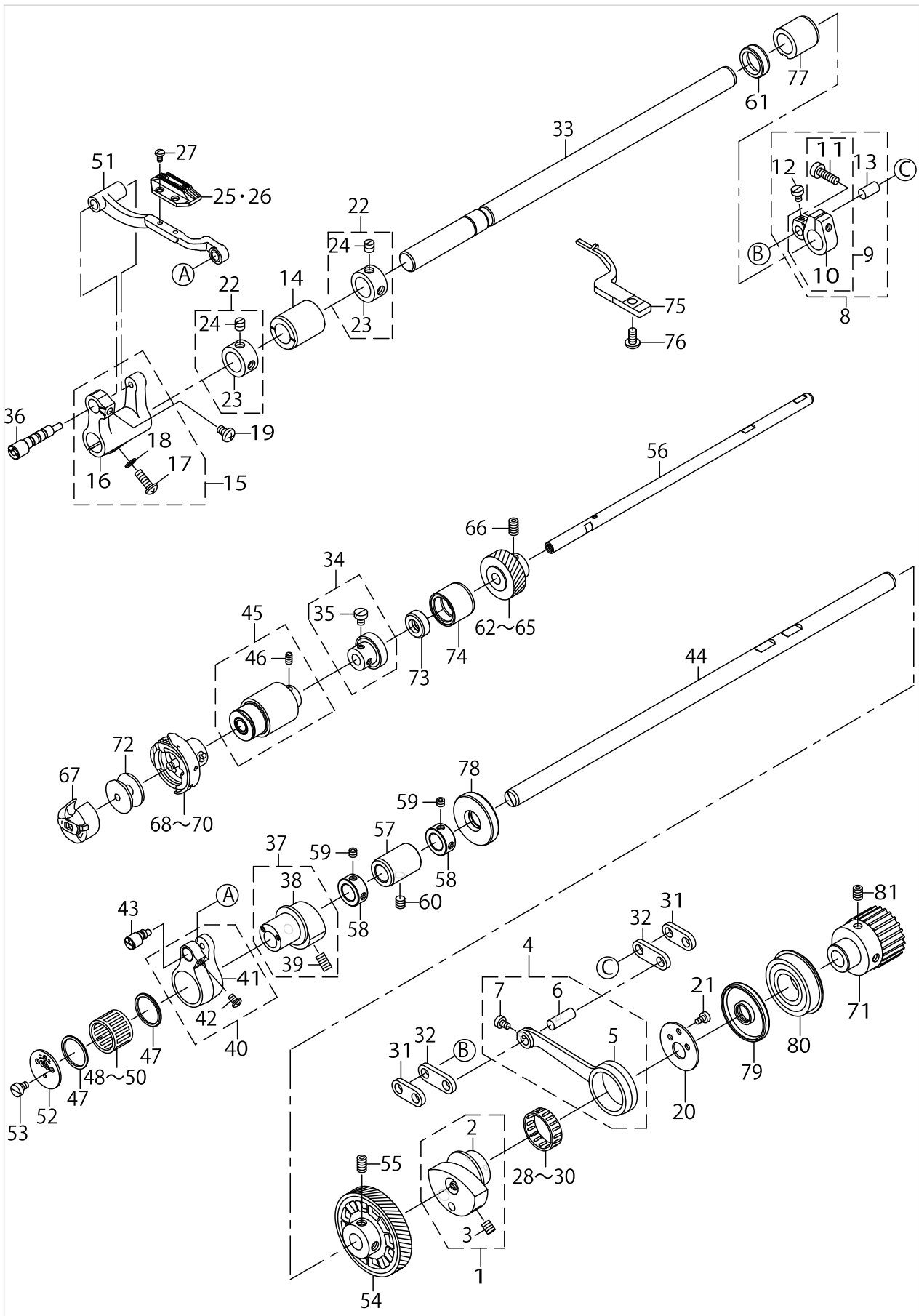
FEED ADJUST MECHANISM COMPONENTS



FEED ADJUST MECHANISM COMPONENTS

No.	Supply Code	Parts No.	Replacement	Parts name	Remarks	Choice	Step	Level	Cons	Qty	Rep. QTY
45	R	40056721	40053450	FEED CHANGING S-HAFT ARM C PIN				*		1	1.00
46		SS8660612TP		SCREW 1/4-40 L=6				*		1	
47		40050219		FEED CHANGING SHAFT SPRING						1	
48		40050220		FEED CHANGING S-HAFT SPRING HOOK						1	
49		SM4040655SP		SCREW M4 L=6						1	
50		22952501		BACK LEVER STOPPER						1	
51		SM6051850TP		SCREW M5 L=18						1	
52		40062651		FEED ADJUSTING SHAFT ASM						1	
53	R	40055569	40062651	FEED_ADJUSTING_SHAFT				*		1	1.00
54		23533904		FEED ADJUSTING SCREW				*		1	
55		40053172		FEED ADJUSTING BASE						1	
56		SM1051052TN		SCREW M5 L=10						2	
57		22912109		FEED REGULATOR PIN SPRING						1	
58		22912000		FEED REGULATOR PIN						1	
59		23534506		FEED DIAL SPRING						1	
60		WP1751616SD		WASHER 17.5X24X1.6						1	
61		40050584		FEED DIAL 4						1	
62		SS6121860SP		SCREW 3/16-28 L=18						1	
63		RE040000K0		E-RING 4						1	
64		23613805		FEED LEVER SHAFT METAL						1	
65		40061560		FEED_CHANGING_B-ALANCER_ARM_ASM						1	
66		SL6051292TN		BOLT						1	
67		40023289		SPRINGSUSPENSION						1	
68		NS6110310SP		NUT 11/64-40						1	
69		40060821		FEED LEVER PLATE						1	
70		SS7620750SP		SCREW 3/16-32L=6.5						1	
71		PS0500102KH		SPRING PIN 5.0X10						1	
72		RC1200001KP		C-SHAPED SNAP RING						1	
73		40062316		LEVER RETURN SPRING HOOK						1	
74		SL4040805SC		SCREW						1	
75	D	40060813		LEVER SPRING HOOK						1	

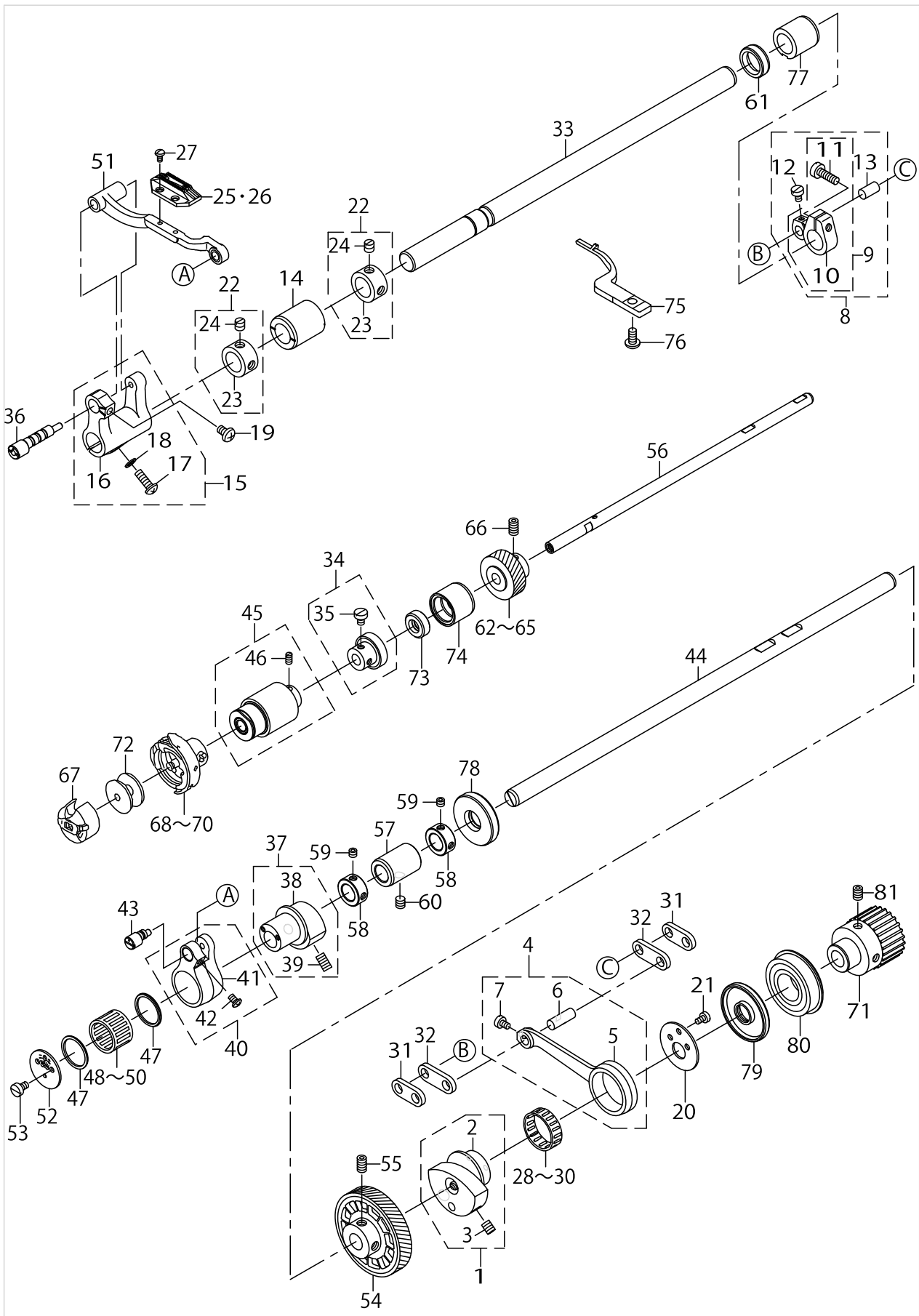
HORIZONTAL FEED, VERTICAL FEED & HOOK DRIVING SHAFT COMPONENTS



HORIZONTAL FEED, VERTICAL FEED & HOOK DRIVING SHAFT COMPONENTS

No.	Supply Code	Parts No.	Replacement	Parts name	Remarks	Choice	Step	Level	Cons	Qty	Rep. QTY
1		40037192		FEED ROCKER CAM ASM.						1	
2		23616006		FEED ROCKER CAM				*		1	
3		SS8150822TP		SCREW 15/64-28 L=8				*		2	
4		40037365		FEED ROCKER ROD ASM.						1	
5		40026277		FEED ROCKER ROD				*		1	
6		22911101		WALKING FOOT PIN C				*		1	
7		SS6090620TP		SCREW				*		1	
8		40061246		FEED ROCKER ARM ALL ASM.						1	
9	R	40058504	40061246	FEED ROCKER ARM ASM.				*		1	1.00
10	R	40042079	40061246	FEED ROCKER ARM				*		1	1.00
11		SS6121610SP		SCREW 3/16-28 L=15.5				*		1	
12		SS6090620TP		SCREW				*		1	
13		22911002		WALKING FOOT PIN B				*		1	
14		40060868		FEED SHAFT FRONT METAL						1	
15		40037005		ASSY_FEED_ROCKER_BASE_ARM						1	
16		40026281		FEED ROCKER BASE ARM				*		1	
17		SM6051400SP		SCREW				*		1	
18		WP0531000SD		WASHER M5				*		1	
19		SM4050855SP		SCREW						1	
20		23616204		FEED ROCKER CAM PLATE						1	
21		SS6090670TP		SCREW 9/64-40 L=6						2	
22		22904155		MAIN SHAFT THRU-ST COLLAR ASM.						2	
23	R	22904106	22904155	MAIN SHAFT THRUST COLLAR				*		1	1.00
24		SS8660610TP		SCREW 1/4-40 L=6				*		2	
25		B1613012I00		FEED DOG I						1	
26		23614506		FEED DOG A						1	
27		SS4080620TP		SCREW 1/8-44 L=6						2	
28		B412352200A		NEEDLE BEARING	SELECTIVE PARTS					1	
29		B412352200B		NEEDLE ROLLAR	SELECTIVE PARTS					1	
30		B412352200C		NEEDLE ROLLAR	SELECTIVE PARTS					1	
31		40026278		CONNECTING LINK A						2	
32		40060448		CONNECTING LINK B						2	
33		23616600		FEEDROCKER SHAFT						1	
34		23620354		BEARING SUPPORT ASM.						1	
35		SS6110650TP		SCREW 11/64-40 L=5.5				*		2	
36		40026282		FEED ROCKER BASE SHAFT						1	
37		40000391		VERTICAL FEED CAM ASM. 5						1	
38	R	40000392	40000391	VERTICAL FEED CAM 5				*		1	1.00
39		SS8151150TP		SCREW 15/64-28 L=10.5				*		2	
40		40053720		FEED DRIVING BASE ARM ASM.						1	
41	R	40026287	40053720	FEED DRIVING BASE ARM				*		1	1.00
42		SM4040655SP		SCREW M4 L=6				*		1	
43		40026288		FEED DRIVING BASE SHAFT						1	
44		40030790		FEED DRIVING SHAFT						1	
45		40060511		LOWER SHAFT BEARING ASM.						1	
46		SS8110710SP		SCREW 11/64-40 L=6.5				*		2	

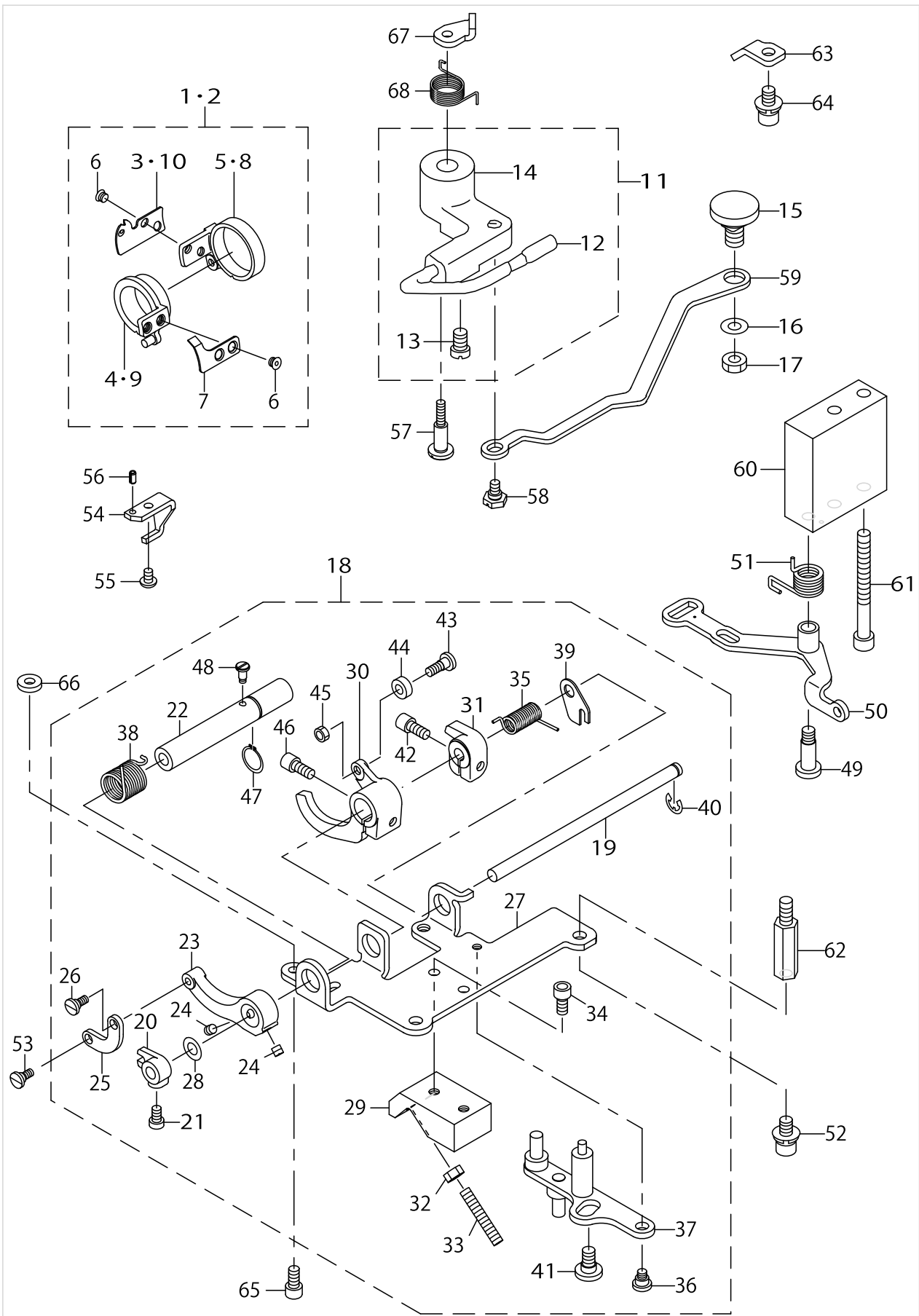
HORIZONTAL FEED, VERTICAL FEED & HOOK DRIVING SHAFT COMPONENTS



HORIZONTAL FEED, VERTICAL FEED & HOOK DRIVING SHAFT COMPONENTS

No.	Supply Code	Parts No.	Replacement	Parts name	Remarks	Choice	Step	Level	Cons	Qty	Rep. QTY
47		23618101		FEED DRIVING CAM THRUST BUSH						2	
48		SB32000060A		BEARING	SELECTIVE PARTS					1	
49		SB32000060B		BEARING	SELECTIVE PARTS					1	
50		SB32000060C		BEARING	SELECTIVE PARTS					1	
51		40030786		FEED BASE COMPL.						1	
52		23618309		FEED DRIVING CAM PLATE						1	
53		SS6090670TP		SCREW 9/64-40 L=6						2	
54		23620503		GEAR,LARGE						1	
55		SS8661012TP		SCREW						2	
56		23620008		HOOK SHAFT						1	
57		40060804		FEED DRIVING SHAFT BUSHING FRONT						1	
58		CS1200981TP		THRUST COLLAR D=12 W=9						2	
59		SM8050412TP		SCREW M5 L=4						4	
60		SM80606A2TP		SCREW M6 L=6						1	
61		22888002		OIL SEAL						1	
62		23620701		GEAR,SMALL(A)	SELECTIVE PARTS					1	
63		23620800		GEAR,SMALL(B)	SELECTIVE PARTS					1	
64		23620909		GEAR,SMALL(C)	SELECTIVE PARTS					1	
65		23621006		GEAR,SMALL(D)	SELECTIVE PARTS					1	
66		SS8661012TP		SCREW						2	
67		22896252		BOBBIN CASE ASM.					☆	1	
68		22890305		RP HOOK S	VARIOUS NOS.FOR DESTINATIONS				☆	1	
69		22890404		RP HOOK C	VARIOUS NOS.FOR DESTINATIONS				☆	1	
70		22890206		RP HOOK	VARIOUS NOS.FOR DESTINATIONS				☆	1	
71		40031608		SPROCKET ASM.						1	
72	R	B9117552A00	22964001	BOBBIN					☆	1	1.00
73		22890008		HOOK DRIVING SHAFT OIL SEAL						1	
74		23620404		HOOK SHAFT REAR METAL						1	
75	R	40068998	40089607	INNERHOOK HOLDER						1	1.00
76		SM4051055SP		SCREW						1	
77		40060865		FEED SHAFT REAR METAL						1	
78		23618705		OIL SEAL						1	
79		23618804		OIL SEAL						1	
80		SB120001000		BEARING						1	
81		SM80608A2TP		SCREW M6 L=8						2	

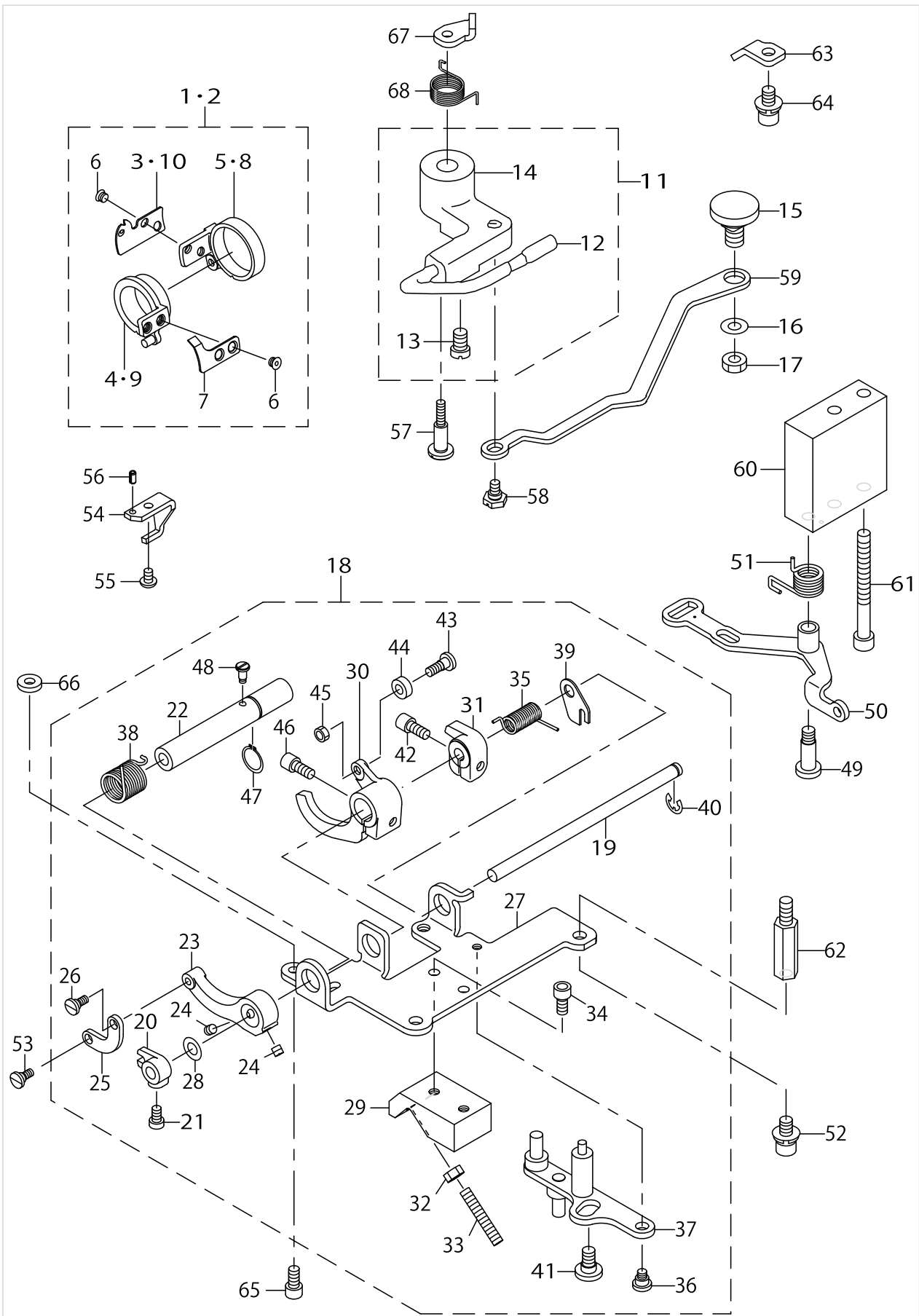
THREAD TRIMMER COMPONENTS (1)



THREAD TRIMMER COMPONENTS (1)

No.	Supply Code	Parts No.	Replacement	Parts name	Remarks	Choice	Step	Level	Cons	Qty	Rep. QTY
1		40060782		KNIFE UNIT						1	
2		40067412		KNIFE UNIT	OPTIONAL PARTS					1	
3		11420205		LOOP SPREADING KNIFE				*	☆	1	
4		40060783		KNIFE BASE ASM.				*		1	
5		11420502		LOOP SPREADING BASE				*		1	
6		11420601		SCREW				*		4	
7		11420106		THREAD CUTTER KNIFE				*	☆	1	
8		11497104		LOOP SPREADING BASE	OPTIONAL PARTS			*		1	
9		40067413		KNIFE BASE ASM.	OPTIONAL PARTS			*		1	
10		11497302		THREAD HAUL KNIFE	OPTIONAL PARTS			*		1	
11		40066590		ASSY PICKER ARM						1	
12		40036997		ASSY_PICKER				*	☆	1	
13		SS6090510TP		SCREW 9/64-40 L=5.0				*		2	
14		40066591		PICKER ARM				*		1	
15		22950000		PICKER LINK PIN						1	
16		WP0621016SH		WASHER						1	
17		NS6150310SP		NUT 15/64-28						1	
18		40060800		THREAD CUTTER DRIVING UNIT						1	
19		11420700		THREAD CUTTER KNIFE SHAFT				*		1	
20		11421500		KNIFE DRIVING ARM				*		1	
21		SS7110740TP		SCREW 11/64-40 L=7				*		1	
22		11420809		LOOP SPREADING SHAFT				*		1	
23		40060793		LOOP SPREADING ARM				*		1	
24		SS8110410TP		SCREW 11/64-40 L= 3.5				*		2	
25		11421401		LOOP SPREADING CONNECTING LINK				*		1	
26		SD0500251SP		HINGE SCREW D= 5 H= 2.5				*		1	
27		40060787		BASE PLATE				*		1	
28		WP0651056SH		WASHER 6.5X11X1				*		1	
29		40060799		STOPPER BLOCK				*		1	
30		11421104		LOOP SPREADING ARM				*		1	
31		11421203		KNIFE DRIVING STITCH TONGUE				*		1	
32		NM6050001SD		NUT M5X0.8				*		2	
33		SM8053002TP		SCREW M5 L=30				*		2	
34		SM6051002TP		SCREW M5X0.8 L=10				*		2	
35		40062180		KNIFE RETURN SPRING				*		1	
36		SD0640321TP		HINGE SCREW D=6.35 H=3.2				*		1	
37		40060789		CLUTCH PLATE ASM.				*		1	
38		40066592		LOOP SPREAD SPRING				*		1	
39		11421708		SPRING HOOK				*		1	
40		RE0500000K0		E-RING				*		1	
41		SD0720331SP		HINGE SCREW D= 7.24 H= 3.3				*		1	
42		SS6621212TP		SCREW 3/16-32 L=12.0				*		1	
43		SD0500402SP		HINGESCREWD=5H=4				*		1	
44		D2422530D00		CAM ROLLER				*		1	
45		NS6110310SP		NUT 11/64-40				*		1	
46		SS6621212TP		SCREW 3/16-32 L=12.0				*		1	

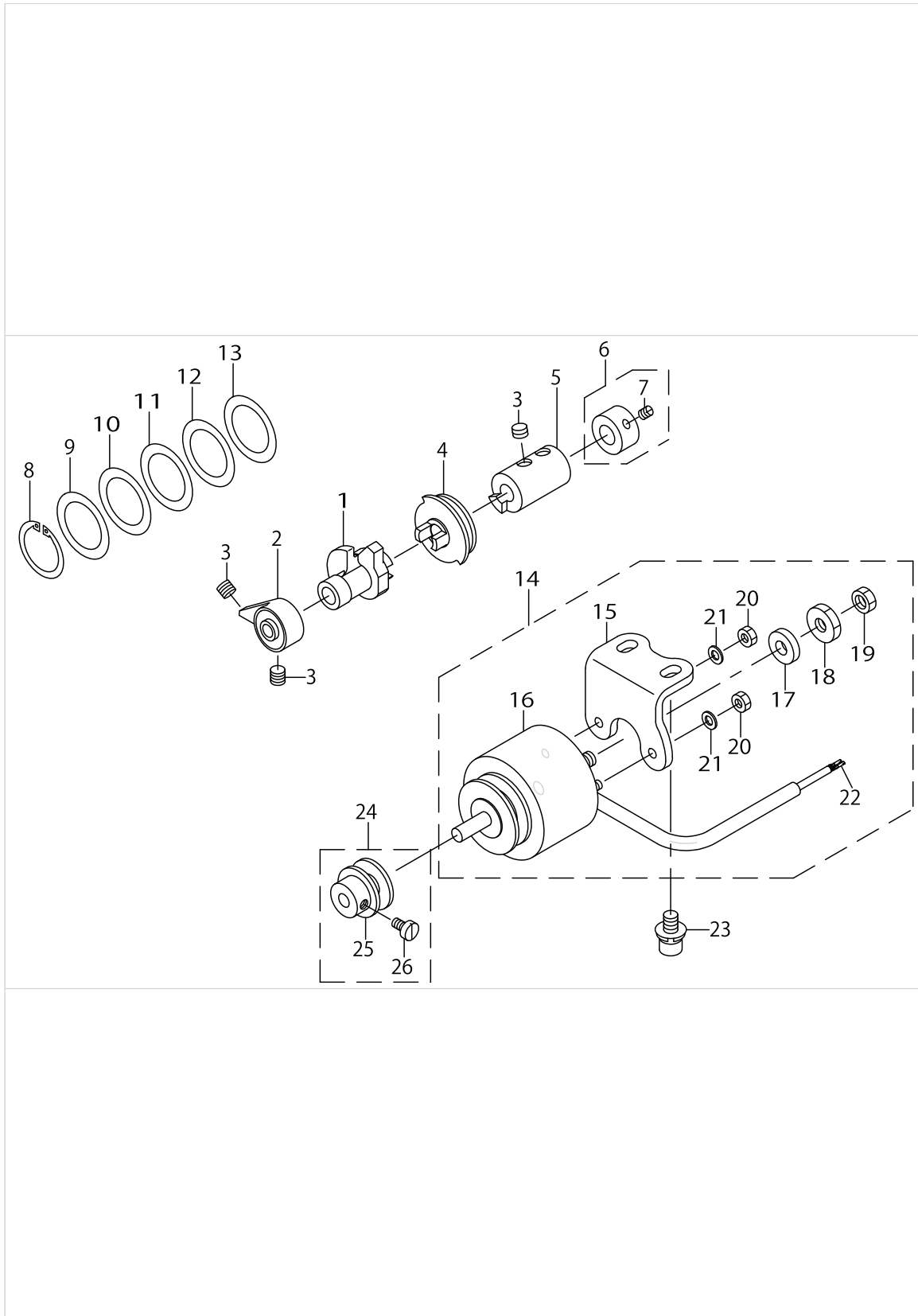
THREAD TRIMMER COMPONENTS (1)



THREAD TRIMMER COMPONENTS (1)

No.	Supply Code	Parts No.	Replacement	Parts name	Remarks	Choice	Step	Level	Cons	Qty	Rep. QTY
47		RC1200001KP		C-SHAPED SNAP RING				*		1	
48		SD0380551SL		HINGE SCREW D= 3.80 H= 5.5				*		1	
49		SD0701511TP		HING SCREW D=7 H=15.1						1	
50		40060796		TENSION RELEASING LEVER ASM.						1	
51		11353505		SPRING						1	
52		SL6061292TN		SCREW						2	
53		SD0500251SP		HINGE SCREW D= 5 H= 2.5						1	
54		40066602		KNIFE DRIVING ARM STOPPER						1	
55		SM4040655SP		SCREW M4 L=6						1	
56		PS0300062KH		SPRING PIN 3X6						1	
57		SD0641456TP		SHOULDER SCREW D=6.35 H=14.5						1	
58		SD0630275SP		HINGE SCREW D= 6.35 H= 2.7						1	
59		40060795		PICKER LINK						1	
60		40060802		TENSION RELEASING LEVER BASE						1	
61		SM6066002TN		BOLT M6 L=60						2	
62		40060832		STUD BOLT						1	
63		40060801		STOPPER PLATE						1	
64		SL6061292TN		SCREW						1	
65		SM6051002TP		SCREW M5X0.8 L=10						1	
66		WP0502616SD		WASHER						1	
67		40062168		PICKER SPRING HOOK						1	
68		40029398		PICKER SPRING						1	

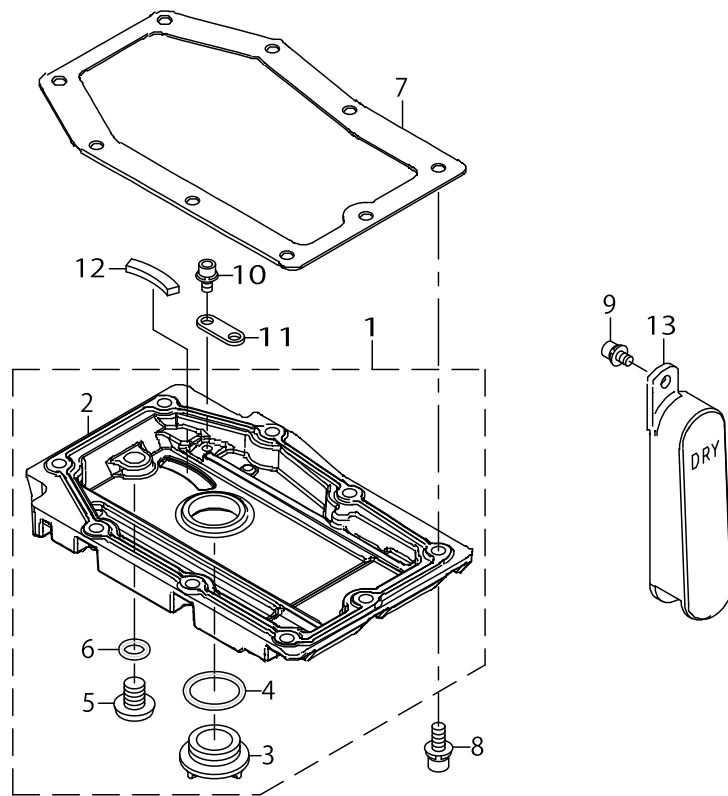
THREAD TRIMMER COMPONENTS (2)



THREAD TRIMMER COMPONENTS (2)

No.	Supply Code	Parts No.	Replacement	Parts name	Remarks	Choice	Step	Level	Cons	Qty	Rep. QTY
1		11419108		THREAD CUTTER CAM						1	
2		11419405		SAFETY CAM						1	
3		SS8660612TP		SCREW 1/4-40 L=6						4	
4		40060786		CLUTCH						1	
5		11419207		THREAD CUTTER D-RIVING COLLAR						1	
6		22950950		CAM COLLAR ASM.						1	
7		SS8110520TP		SCREW 11/64-40 L= 4.5				*		1	
8		RC2651218KP		RETAINING RING						1	
9		11419603		THRUST COLLAR, B	SELECTIVE PARTS					1	
10		11419504		THRUST COLLAR, A	SELECTIVE PARTS					1	
11		11419702		THRUST COLLAR, C	SELECTIVE PARTS					1	
12		11419801		THRUST COLLAR, D	SELECTIVE PARTS					1	
13		11419900		THRUST COLLAR, E	SELECTIVE PARTS					1	
14		40060794		SOLENOID ASM.						1	
15		40060791		SOLENOID BASE				*		1	
16	R	40056706	40040545	THREAD TRIMMER SOLENOID				*		1	1.00
17		11043304		SOLENOID RUBBER				*		1	
18		NS6660410SH		NUT				*		1	
19		NS6660430SP		NUT 1/4-40				*		1	
20		NM6040000SN		NUT M4				*		2	
21		WP0430800SC		WASHER M4				*		2	
22		HK03464000B		PIN CONTACT				*		2	
23		SL6061292TN		SCREW						2	
24		23624554		DRIVING BLOCK ASM.						1	
25		23624505		DRIVING BLOCK				*		1	
26		SS6110710TP		SCREW 11/64-40 L= 6.5				*		1	

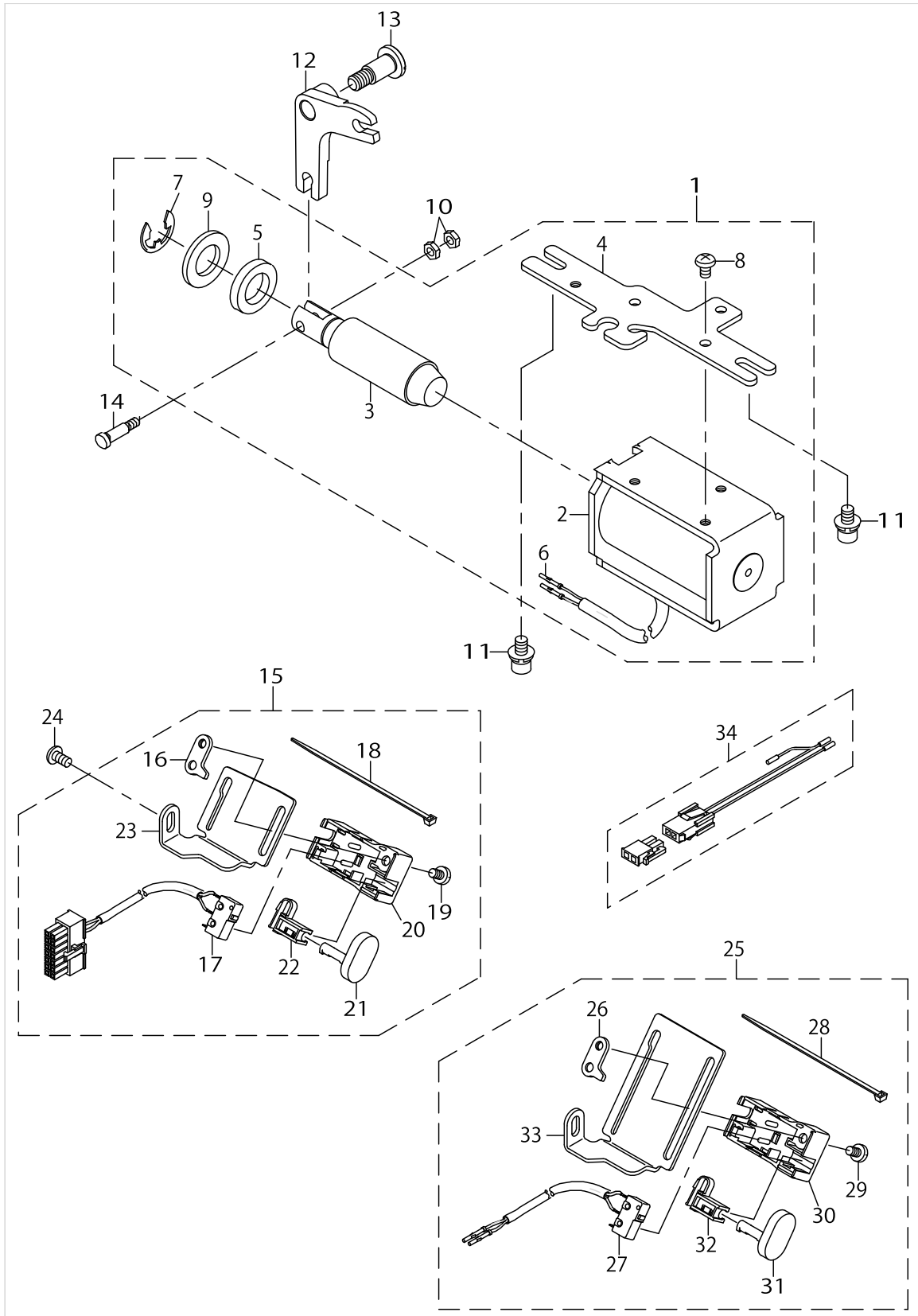
OIL LUBRICATION COMPONENTS



OIL LUBRICATION COMPONENTS

No.	Supply Code	Parts No.	Replacement	Parts name	Remarks	Choice	Step	Level	Cons	Qty	Rep. QTY
1		40037180		GEAR_BOX_COVER_ASM.						1	
2	R	40026286	40037180	GEAR BOX COVER				*		1	1.00
3		40034246		OIL_SIGHT_WINDOW				*		1	
4		RO195240100		RUBBER RING				*		1	
5	R	13171004	SM0081001SD	DRAIN SCREW				*		1	1.00
6		13170105		RUBBER RING				*		1	
7		40037166		GEAR BOX PACKING						1	
8		SL6051492TN		BOLT						9	
9		SL6040892TN		BOLT						1	
10		SL6040892TN		BOLT						1	
11		40024644		MAGNET WASHER						1	
12		23604705		MAGNET BASE PM						1	
13		40037146		FLOATER SIGHT WINDOW D						1	

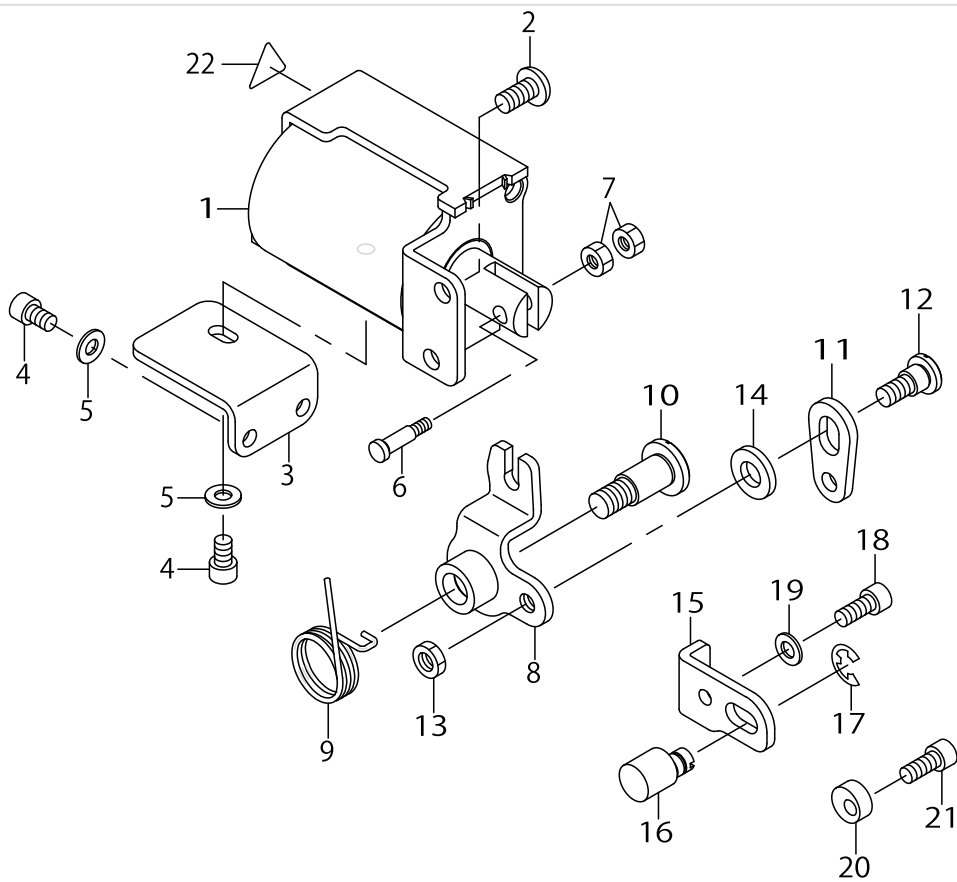
AUTOMATIC REVERSE FEED COMPONENTS



AUTOMATIC REVERSE FEED COMPONENTS

No.	Supply Code	Parts No.	Replacement	Parts name	Remarks	Choice	Step	Level	Cons	Qty	Rep. QTY
1		40040518		REVERSE FEED SOLENOID ASM.						1	
2	R	40040519	40040518	REVERSE FEED SOLENOID				*		1	1.00
3	R	23631104	40083305	REVERSE FEED SOLENOID PLUNGER				*		1	1.00
4		40027156		REVERSE FEED SOLENOID BASE				*		1	
5		D2468555B00		RUBBER PLUNGER				*		1	
6		HK03464000B		PIN CONTACT				*		2	
7		RE1200000K0		E-RING 12				*		1	
8		SM4050855SP		SCREW				*		3	
9		WP1703001SC		WASHER 17X30X3				*		1	
10		NS6110350SP		NUT 11/64-40						2	
11		SL6061292TN		SCREW						2	
12		40026290		REVERSE FEED ARM						1	
13		SD1001506TP		SHOULDER SCREW D=10 H=15						1	
14		22962906		PLUNGER ARM PIN						1	
15		23631757		REVERSE FEED SWITCH ASM.						1	
16		23632102		REVERSE FEED SWITCH BASE GUIDE				*		1	
17	R	23632359	23631757	REVERSE FEED CORD ASM.				*		1	1.00
18		EA9500B0100		CABLE BAND				*		1	
19		SS7110740TP		SCREW 11/64-40 L=7				*		1	
20		23631708		REVERSE FEED SWITCH COVER				*		1	
21		23631807		REVERSE FEED SWITCH SHAFT				*		1	
22		23631906		REVERSE FEED SWITCH SUPPORT				*		1	
23	R	23632003	23631757	REVERSE FEED SWITCH BASE				*		1	1.00
24		SM4051055SP		SCREW						1	
25		23632656		OPTION SWITCH ASM.	OPTIONAL PARTS					1	
26		23632102		REVERSE FEED SWITCH BASE GUIDE				*		1	
27		23632250		REVERSE FEED CORD ASM.				*		1	
28		EA9500B0100		CABLE BAND				*		1	
29		SS7110740TP		SCREW 11/64-40 L=7				*		1	
30		23631708		REVERSE FEED SWITCH COVER				*		1	
31		23631807		REVERSE FEED SWITCH SHAFT				*		1	
32		23631906		REVERSE FEED SWITCH SUPPORT				*		1	
33		23632607		OPTION SWITCH BASE				*		1	
34		40050581		JOINT_CABLE_ASM						1	

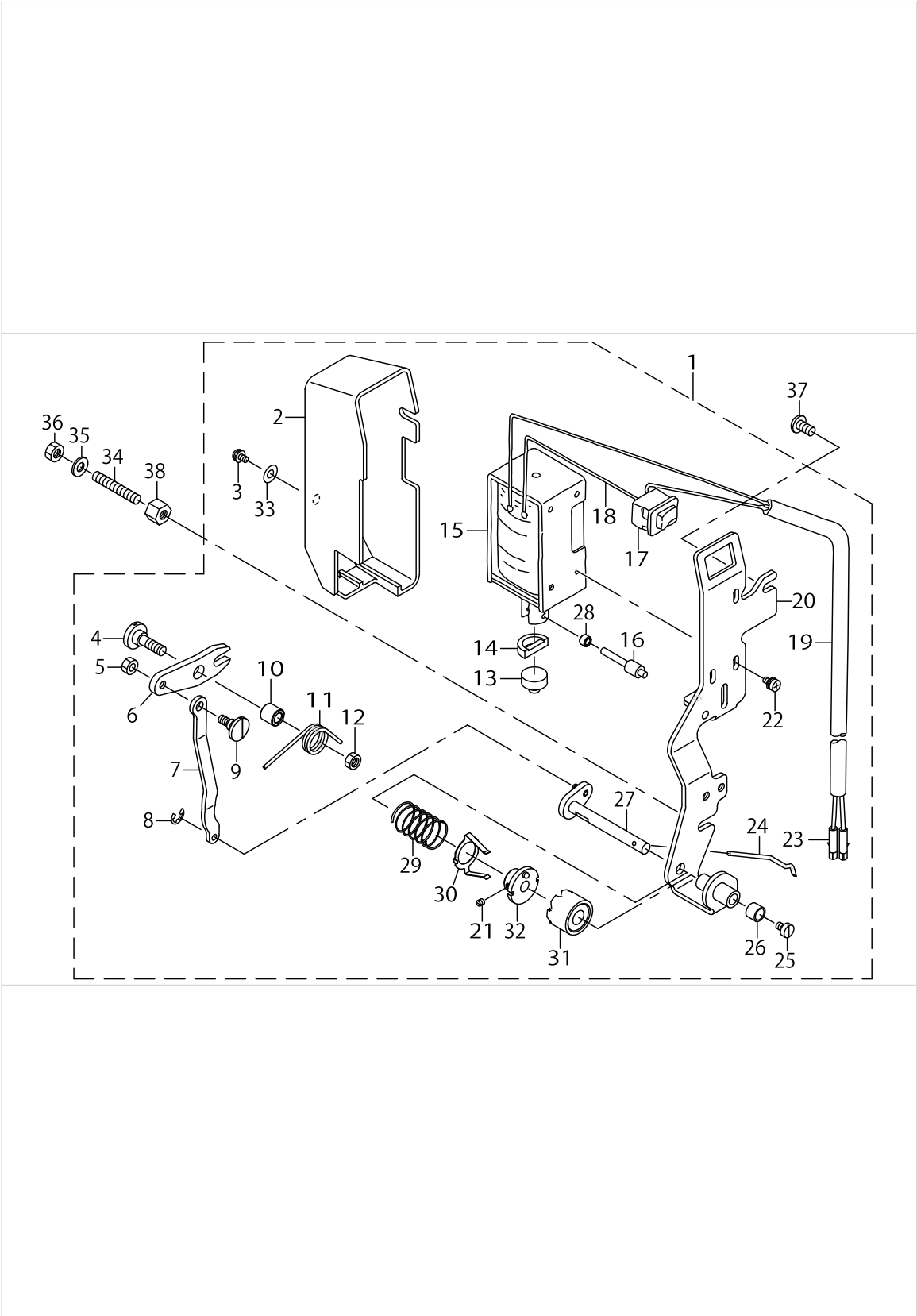
CONDENSE COMPONENTS



CONDENSE COMPONENTS

No.	Supply Code	Parts No.	Replacement	Parts name	Remarks	Choice	Step	Level	Cons	Qty	Rep. QTY
1		40060830		CONDENSE SOLENOID ASM.						1	
2		SM4061255SP		SCREW M6 L=12						2	
3		40060828		SOLENOID STAY						1	
4		SM6050802TP		SCREW M5X0.8 L=8						3	
5		WP0501016SD		WASHER 5X10.5X1						3	
6		22962906		PLUNGER ARM PIN						1	
7		NS6110420SP		NUT 11/64-40						2	
8		40060825		CONDENSE ARM ASM.						1	
9		40060818		CONDENSE ARM RETURN SPRING						1	
10		SD1001506TP		SHOULDER SCREW D=10 H=15						1	
11		40060822		CONDENSE CONNECT LINK						1	
12		SD0790601SP		HINGE SCREW D=7.94 H=6						1	
13		NS6150310SP		NUT 15/64-28						1	
14		B185351200C		WASHER, C						1	
15		40060834		CONDENSE STOPPER						1	
16		40060833		CONDENSE PIVOT						1	
17		RE0600000K0		E-RING 6						1	
18		SM6051202TP		SCREW M5X0.8 L=12						1	
19		WP0531000SD		WASHER M5						1	
20		40061486		STOPPER COLLAR						1	
21		SM6051202TP		SCREW M5X0.8 L=12						1	
22		CM300300001		SEAL						1	

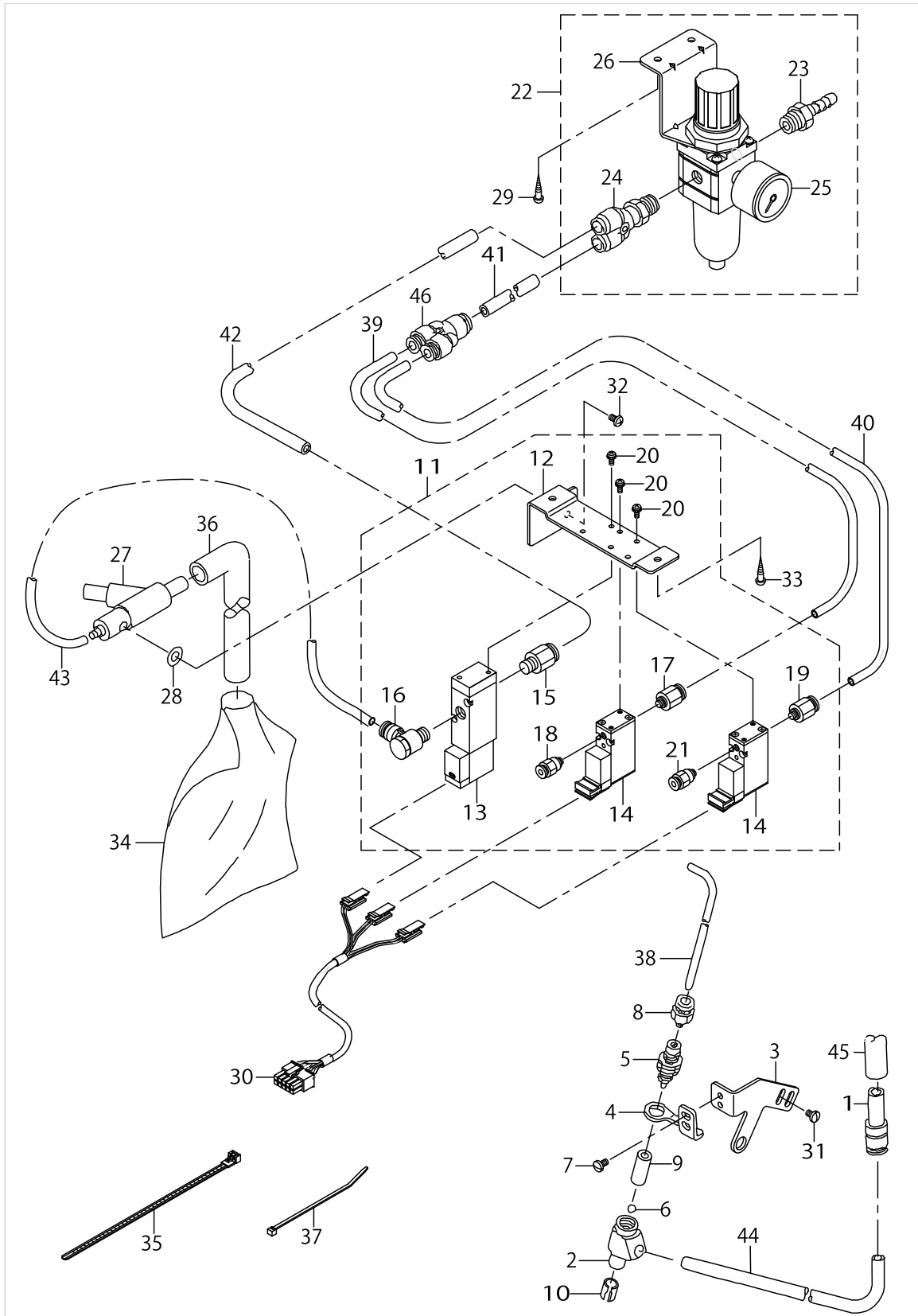
WIPER COMPONENTS



WIPER COMPONENTS

No.	Supply Code	Parts No.	Replacement	Parts name	Remarks	Choice	Step	Level	Cons	Qty	Rep. QTY
1		40067469		WIPER ASM						1	
2		11425907		WIPER COVER				*		1	
3		SL4030631SC		SCREW M3X6				*		1	
4		SD0650321TP		HINGE SCREW D=6.5 H=3.2				*		1	
5		NS6090310SP		NUT 9/64-40				*		1	
6		22956106		WIPER LINK A				*		1	
7		40060343		WIPER LINK B				*		1	
8		RE0250000K0		E-RING 2.5				*		1	
9		22956908		WIPER LINK B HINGE SCREW				*		1	
10		22956205		WIPER HINGE SCREW COLLAR				*		1	
11		22956304		WIPER SPRING				*		1	
12		NS6110310SP		NUT 11/64-40				*		1	
13		22955900		WIPER RUBBER A				*		1	
14		22956007		WIPER RUBBER B				*		1	
15	R	11110301	40106936	WIPER SOLENOID				*		1	1.00
16		22957104		WIPER SOLENOID SHAFT				*		1	
17		HA006000000		SWITCH				*		1	
18		HW200390000		ELECTRIC WIRE				*		0.04	
19		HW500070000		2-CORE CABTYRE CORD				*		1.3	
20		40060345		WIPER BASE ASM.				*		1	
21		SS8080310TP		SCREW 1/8-44 L=2.8				*		2	
22		SL4030641SE		SCREW				*		3	
23		HK03464000B		PIN CONTACT				*		2	
24		40046108		WIPER				*	☆	1	
25		SS6090540SP		SCREW 9/64-40 L=5.0				*		1	
26		22956809		WIPER COLLAR				*		1	
27		11424959		WIPER SHAFT ASM.				*		1	
28		22957203		WIPER LINK COLLAR				*		1	
29		11429107		SLIDE SPRING				*		1	
30		11422706		STOPPER SPRING, B				*		1	
31		11425659		RATCHET ASM.				*		1	
32		11425451		FOLLOWER ASM.				*		1	
33		WP0330501SB		WASHER M3				*		1	
34		SM8053002TP		SCREW M5 L=30						1	
35		WP0501016SD		WASHER 5X10.5X1						1	
36		NM6050001SD		NUT M5X0.8						1	
37		SM4051255SP		SCREW.,M5 L=12.						1	
38		40060410		WIPER BASE SPACER						1	

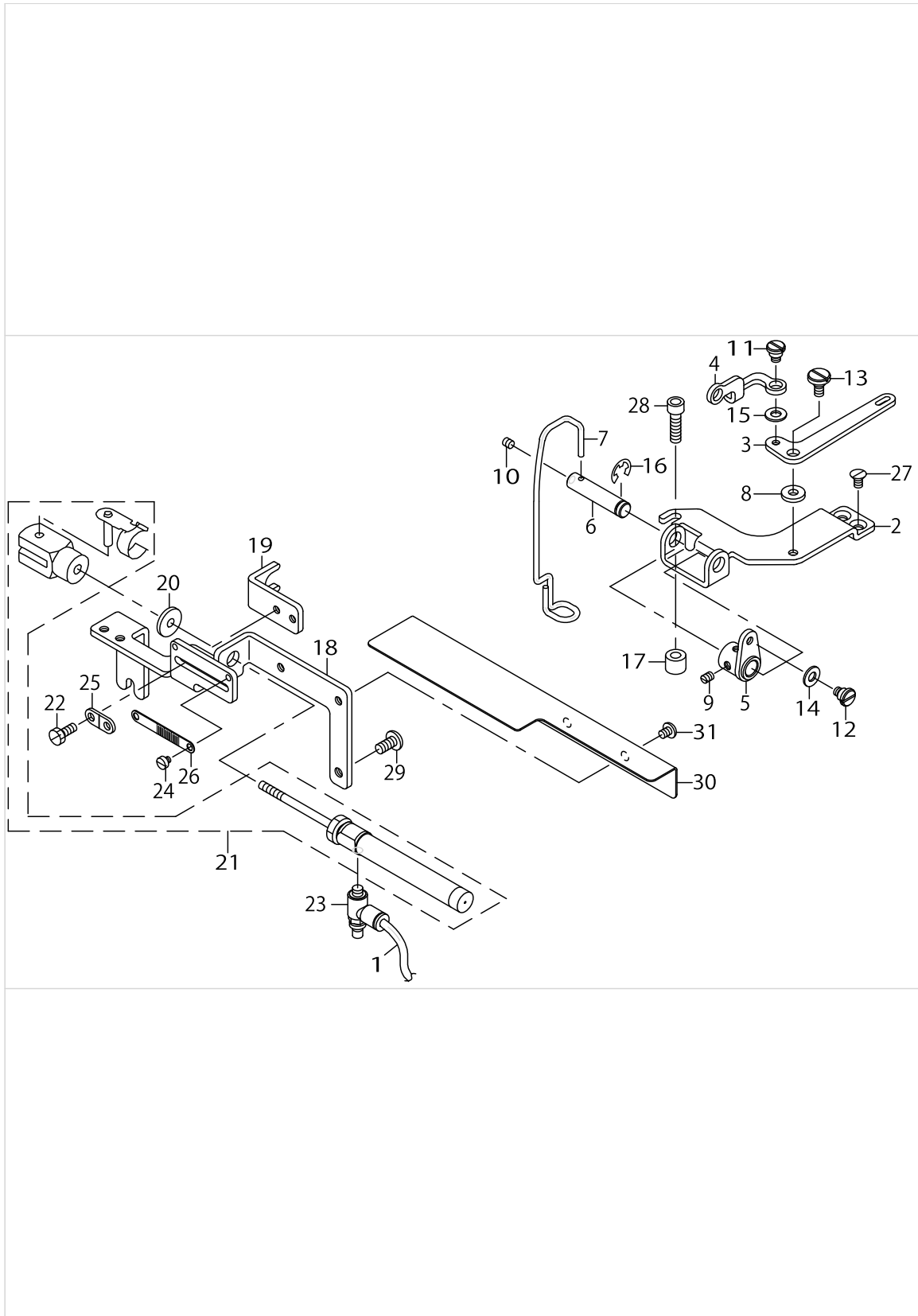
THREAD HOLDER & AIR COMPONENTS



THREAD HOLDER & AIR COMPONENTS

No.	Supply Code	Parts No.	Replacement	Parts name	Remarks	Choice	Step	Level	Cons	Qty	Rep. QTY
1		PJ301080001		REDUCER						1	
2		11429305		CLAMP HEAD						1	
3		40062167		CLAMP BASE						1	
4		11429404		CLAMP BASE, B						1	
5		11429008		CLAMP CYLINDER						1	
6		11428505		CLAMP BALL						1	
7		SS7110710SP		SCREW 11/64-40 L=7						2	
8		PJ301040502		HALF UNION 4XM5						1	
9		11427705		HEAD BUSH						1	
10		11427309		HEAD COVER						1	
11		11426368		SOLENOID VALVE ASM.						1	
12		11426301		SOLENOID VALVE ADJUSTING BASE				*		1	
13		PV135103000		3-PORT SOLENOID VALVE				*		1	
14		PV130524000		3 PORT SOLENOID VALVE				*		2	
15		PJ301085102		JOINTING				*		1	
16		PJ304085103		SWING ELBOW				*		1	
17		PJ301060501		UNION				*		1	
18		PJ301040501		HALF UNION M5 D=4				*		1	
19		PJ301060501		UNION				*		1	
20		SL4030881SF		SCREW M3 L=8				*		6	
21		PJ301040501		HALF UNION M5 D=4				*		1	
22		11427960		AIR FILTER ASM.						1	
23		PJ032526001		HOSE NIPPLE				*		1	
24		PJ308085201		Y-UNION				*		1	
25		40003560		REGULATOR ASM.				*		1	
26		PF902005000		REGULATOR BRACKET				*		1	
27		F10120030A0		NOZZLE ASM.						1	
28		B1155771000		CUSHION						1	
29	R	SK3412000SC	SK3412000SE	WOOD SCREW D=4.1 L=20						2	1.00
30		11496767		SORENOID VALVE CORD ASM.						1	
31		SS7110510SP		SCREW 11/64-40 L=5						2	
32		SS4110715SP		SCREW 11/64-40 L=7						1	
33	R	SK3412000SC	SK3412000SE	WOOD SCREW D=4.1 L=20						2	1.00
34		11428802		DUST BAG						1	
35		HX00292000A		CONNECTING PART						1	
36		BT1601001Z0		TUBE						.3	
37		HX002330000		CLIP						4	
38		BT0400251EB		URETHANE HOSE, BLACK						1.4	
39		BT0600401EB		TUBE						.2	
40		BT0600401EB		TUBE						.2	
41		BT0800501EB		VINYL TUBE						.1	
42		BT0800501EB		VINYL TUBE						.3	
43		BT0600401EB		TUBE						.1	
44		BT0800501EB		VINYL TUBE						1.5	
45		BT1601001Z0		TUBE						.1	
46		PJ308080001		UNION, Y						1	

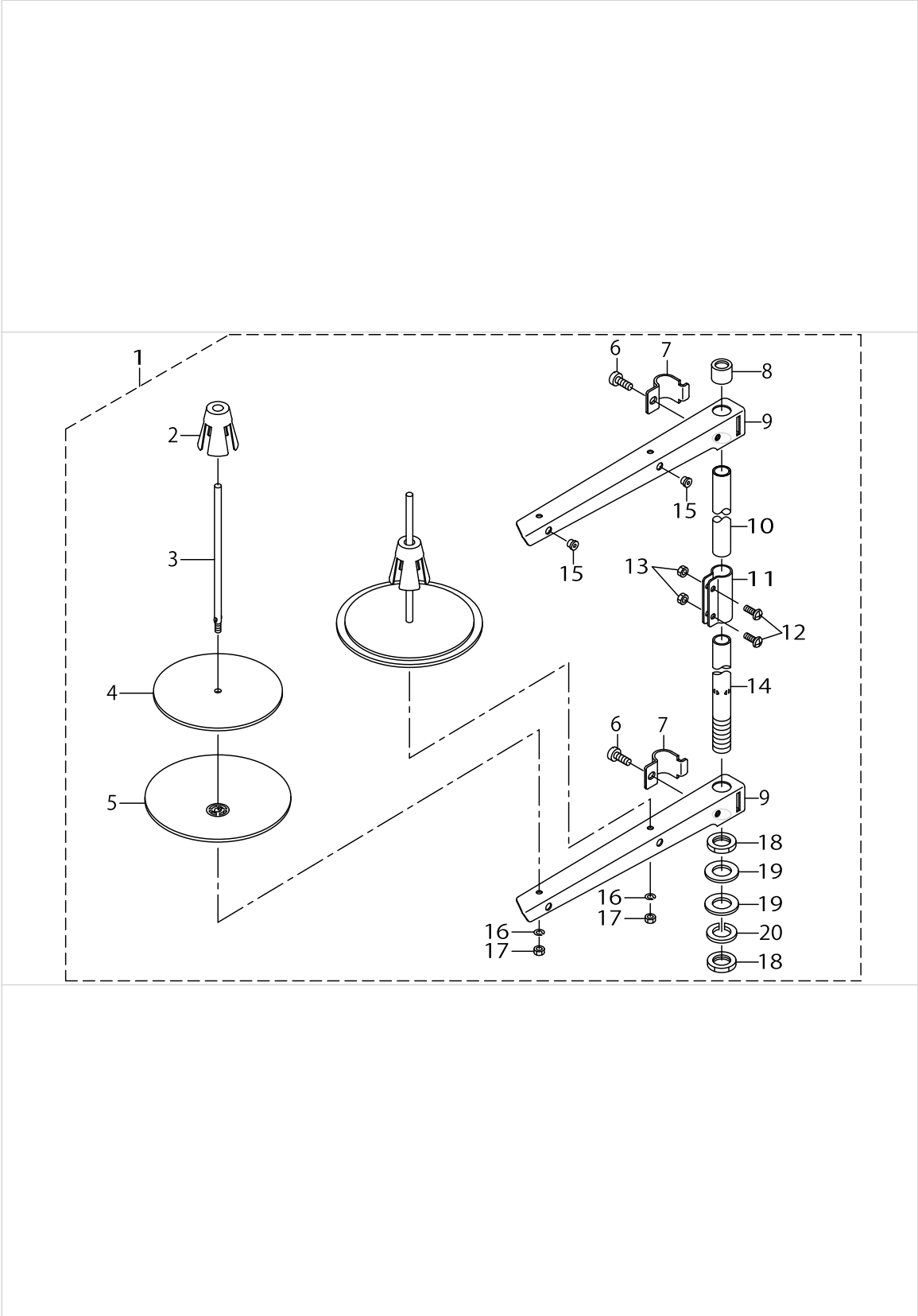
THREAD HAUL COMPONENTS



THREAD HAUL COMPONENTS

No.	Supply Code	Parts No.	Replacement	Parts name	Remarks	Choice	Step	Level	Cons	Qty	Rep. QTY
1		BT0400251EB		URETHANE HOSE, BLACK						1.2	
2		11426608		THREAD HAUL BASE						1	
3		11427101		THREAD HAUL CON- NECTING LINK, A						1	
4		11427200		THREAD HAUL CON- NECTING LINK, B						1	
5		11426855		THREAD HAUL LEVER ASM.						1	
6		11426707		THREAD HAUL SHAFT						1	
7		40060341		THREAD HAUL WIRE						1	
8		WP0482086SD		WASHER 4.8X11.5X2						1	
9		SS8110520TP		SCREW 11/64-40 L= 4.5						2	
10		SS8110422TP		SCREW 11/64-40 L=4						1	
11		SD0640321SP		HINGE SCREW D= 6.35 H= 3.2						1	
12		SD0640321SP		HINGE SCREW D= 6.35 H= 3.2						1	
13		SD0600291TP		HINGE SCREW D=6 H=2.9						1	
14	R	WP0501016SA	WP0501016SD	WASHER 5X10.5X1						1	1.00
15	R	WP0501016SA	WP0501016SD	WASHER 5X10.5X1						1	1.00
16		RE0600000K0		E-RING 6						1	
17		11315108		COLLAR						1	
18		40060342		HAUL THREAD CYLINDER PLATE						1	
19		11428307		HAUL THREAD STOPPER						1	
20		B1620487000		FEED CONNECTING PIN WASHER						1	
21		PA1003018B0		AIR CYLINDER (Y KNUCKLE)						1	
22		SM9041050SC		SCREW M4X0.7 L=10						2	
23		PC010507000		SPEED CONTROLLER						1	
24		SS6080320SP		SCREW 1/8-44 L= 2.5						2	
25		11428000		THREAD HAUL ADJUSTING PLATE						1	
26		11427804		THREAD HAUL SCALE PLATE						1	
27		SS1110710SP		SCREW 11/64-40 L=7						2	
28		SM6051802TP		SCREW M5 L=18						1	
29		SM4051055SP		SCREW						1	
30		11427606		THREAD HAUL CYLINDER COVER						1	
31		SS4110515SP		SCREW 11/64-40 L=5						2	

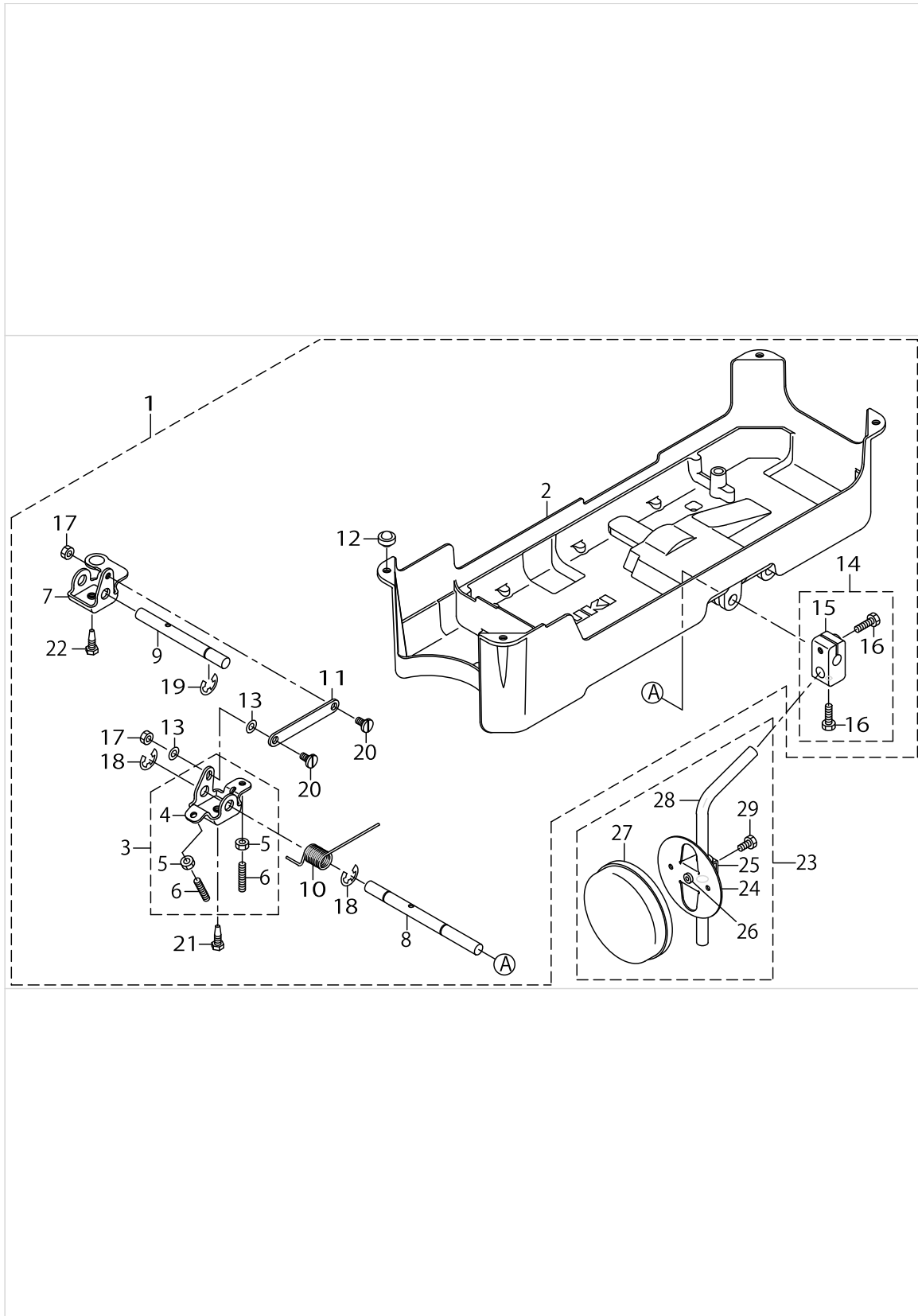
THREAD STAND COMPONENTS



THREAD STAND COMPONENTS

No.	Supply Code	Parts No.	Replacement	Parts name	Remarks	Choice	Step	Level	Cons	Qty	Rep. QTY
1	R	22930358	40096354	THREAD STAND ASM.						1	1.00
2	R	22931109	40085791	SPOOL RETAINER				*		2	1.00
3	R	22931000	40085790	SPOOL PIN				*		2	1.00
4		22930903		SPOOL REST CUSHION				*		2	
5		22930804		SPOOL REST				*		2	
6		SM6061610SC		SCREW M6 L=16				*		2	
7	R	22930705	40096354	THREAD GUIDE ARM JOINT				*		2	1.00
8		22931406		SPOOL REST ROD RUBBER CAP				*		1	
9	R	22930507	40096354	SPOOL REST ARM				*		2	1.00
10	R	22930408	40096354	SPOOL REST ROD, UPPER				*		1	1.00
11	R	22931307	40096354	SPOOL REST ROD JOINT				*		1	1.00
12		SM4051405SE		SCREW M5 L=14				*		2	
13		NM6050001SE		NUT M5				*		2	
14	R	22930309	40096354	SPOOL REST ROD, LOWER				*		1	1.00
15		22931208		THREAD GUIDE				*		2	
16		WS0510002KN		SPRING WASHER				*		2	
17		NM6050001SE		NUT M5				*		2	
18		NM6160511SE		NUT M16X1.5				*		2	
19		WP1612616SE		WASHER 16X30X2.6				*		2	
20	R	WS1643202KR	WP1612616SE	SPRING WASHER		A		*		1	2.00
20	R	WS1643202KR	40085796	SPRING WASHER		A		*		1	2.00

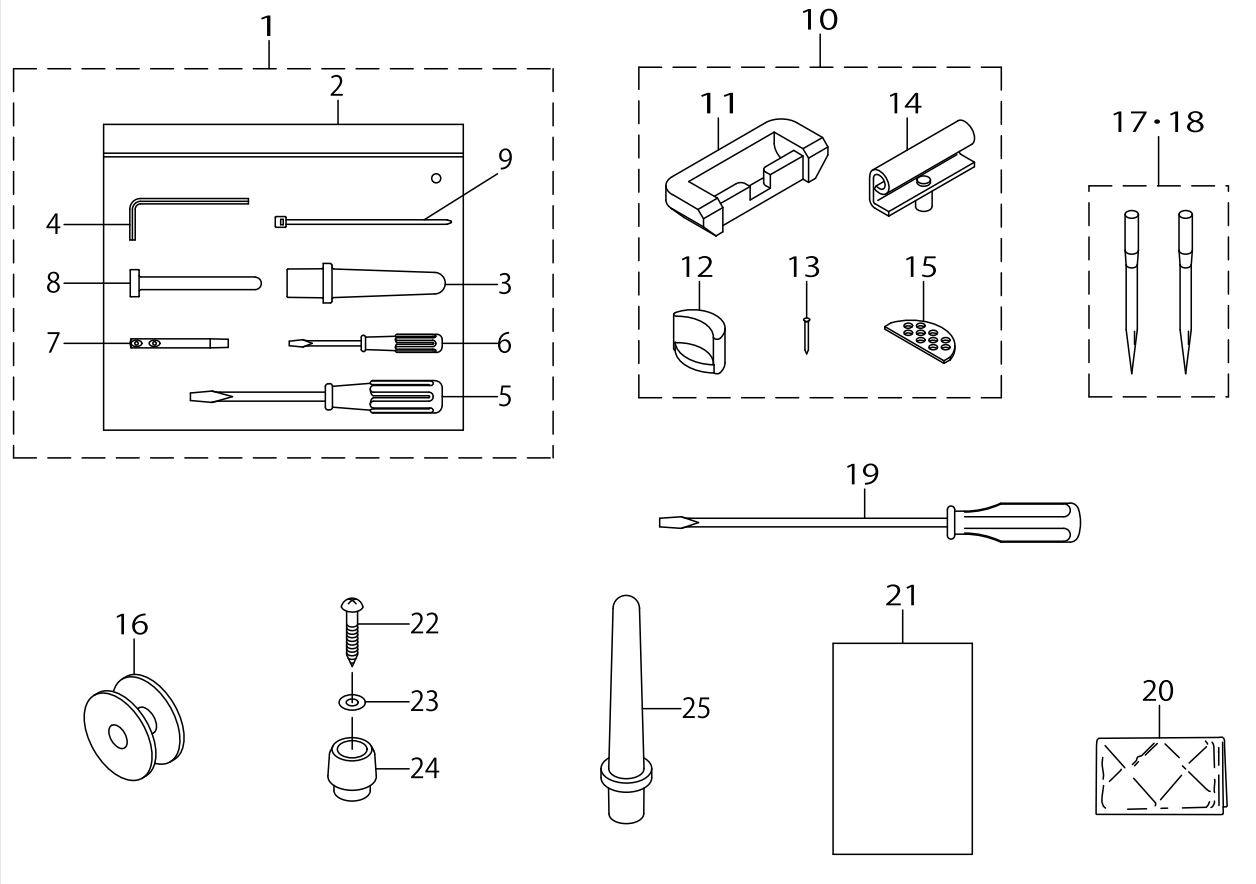
UNDER COVER COMPONENTS



UNDER COVER COMPONENTS

No.	Supply Code	Parts No.	Replacement	Parts name	Remarks	Choice	Step	Level	Cons	Qty	Rep. QTY
1		40062321		UNDER COVER ASM.						1	
2	R	23639008	40062321	UNDER COVER				*		1	1.00
3		23639156		BRACKET ASM.				*		1	
4	R	23639107	23639156	BRACKET				*		1	1.00
5		NM6060001SE		NUT M6				*		2	
6		SM8063012TR		SCREW M6 L=30				*		2	
7		23639206		CONNECTING ROT				*		1	
8		23639305		KNEE PRESS ROD				*		1	
9		23639404		SHAFT				*		1	
10		23639503		SPRING				*		1	
11		23639602		CONNECTING ROD				*		1	
12		B1116210D00		FRAME SUPPORT RUBBER				*		4	
13		WP0650876SD		WASHER 6.5X13X0.8				*		2	
14		22932453		BRACKET ASM.				*		1	
15	R	22932404	22932453	BRACKET				*		1	1.00
16	R	SM9062053SR	22934707	SCREW M6 L=20				*		2	1.00
17		NS6150310SP		NUT 15/64-28				*		2	
18		RE1000000K0		E-RING 10				*		2	
19		RE1000000K0		E-RING 10				*		1	
20		SD0720331SP		HINGE SCREW D= 7.24 H= 3.3				*		2	
21		SM9061853SR		SCREW M6 L=17.5				*		1	
22		SM9061853SR		SCREW M6 L=17.5				*		1	
23		22934251		KNEE PAD PLATE ASM.				*		1	
24		22934202		KNEE PAD PLATE				*		1	
25		22934301		KNEE PAD PLATE SUPPORT				*		1	
26		22934400		KNEE PAD PLATE RUBBER				*		1	
27		22934509		KNEE PAD PLATE COVER				*		1	
28		22934608		KNEE PAD UPRIGHT SHAFT				*		1	
29		SM9061203SE		SCREW M6 L=12				*		1	

ACCESSORIE PART COMPONENTS



ACCESSORIE PART COMPONENTS

No.	Supply Code	Parts No.	Replacement	Parts name	Remarks	Choice	Step	Level	Cons	Qty	Rep. QTY
1		40037484		ACCESSORIE BAG ASM.						1	
2		22932800		ACCESSORIE BAG				*		1	
3		22931604		FRAME SUPPORT BAR				*		1	
4		40055591		HEXAGONAL WRENCH KYE				*		1	
5		22933105		SCREW DRIVER,MIDDLE				*		1	
6		22933204		SCREW DRIVER,SMALL				*		1	
7		22958300		NEEDLE THREAD GUIDE PIN				*		1	
8		23639701		KNEE LIFTER PRESSER ROD				*		1	
9		HX000430000		CLIP				*		1	
10		22958052		RUBBER HINGE ASM.						1	
11	R	22926000	22958052	RUBBER CUSHION				*		2	1.00
12	R	22958003	11075900	FRAME BUBBER CUSHION				*		2	1.00
13	D	22926208		NAIL				*		8	
14	R	22926356	22958052	HINGE COMPL.				*		2	1.00
15	R	22926505	D8226555E00	WASHER				*		2	1.00
16	R	B9117552A00	22964001	BOBBIN					☆	1	1.00
17		MDB100B1100		NEEDLE DBX1 #11	VARIOUS NOS.FOR DESTINATIONS				☆	1	
18		MC200500750		NEEDLE 134 NM75	VARIOUS NOS.FOR DESTINATIONS				☆	1	
19		22933006		SCREW DRIVER,LARGE						1	
20		22933303		VINYL COVER						1	
21		40064984		DDL-9000A SETUP DOCUMENT						1	
22		SK3513201SE		WOOD SCREW D=5.1 L=32	FOR AK					1	
23		WP0550836SC		WASHER 5.5X12X0.8	FOR AK					1	
24		40062179		FRAME SUPPORT BAR	FOR AK					1	
25		B8216271000		FRAME SUPPORT BAR						1	

TABLE & STAND COMPONENTS

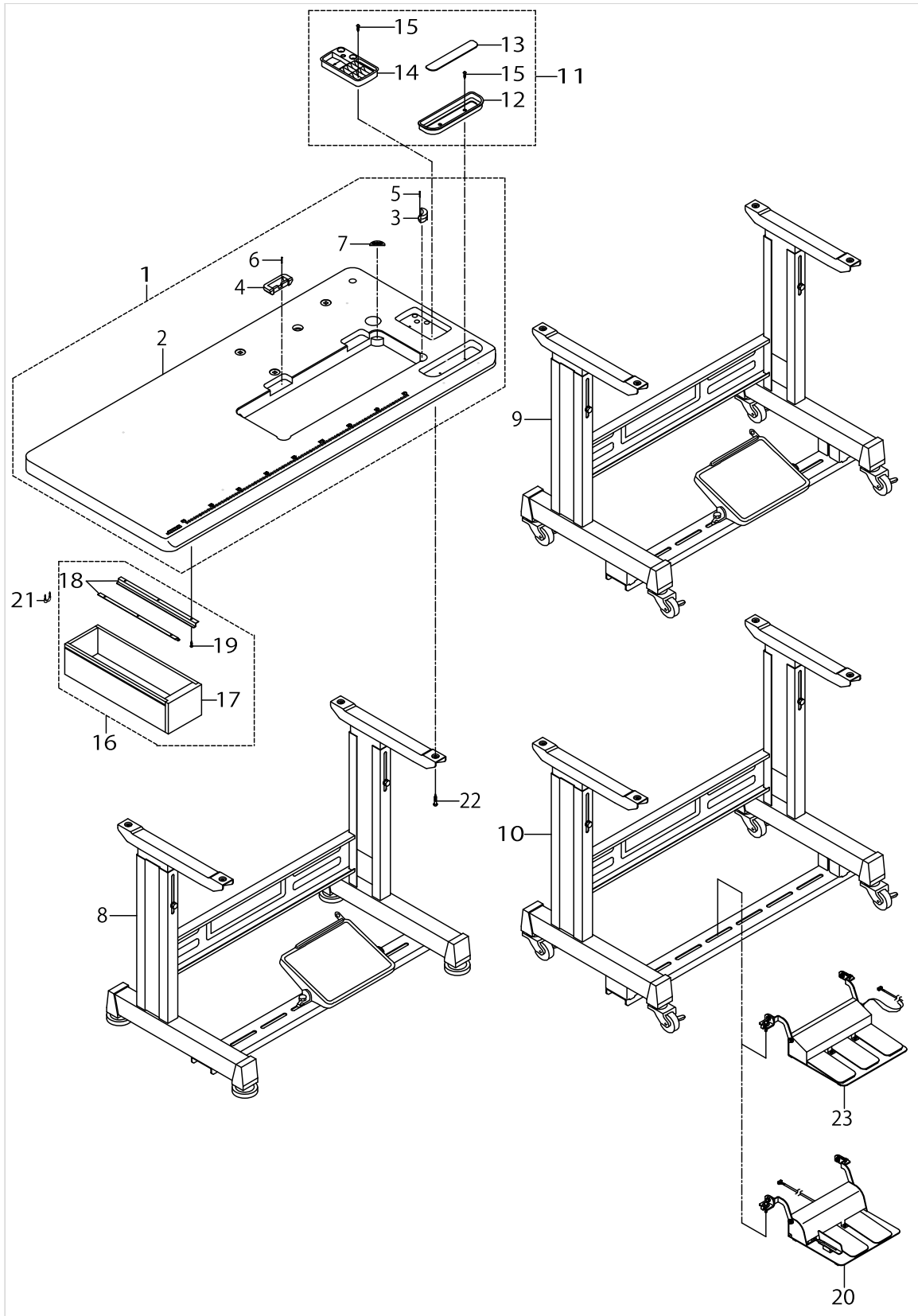
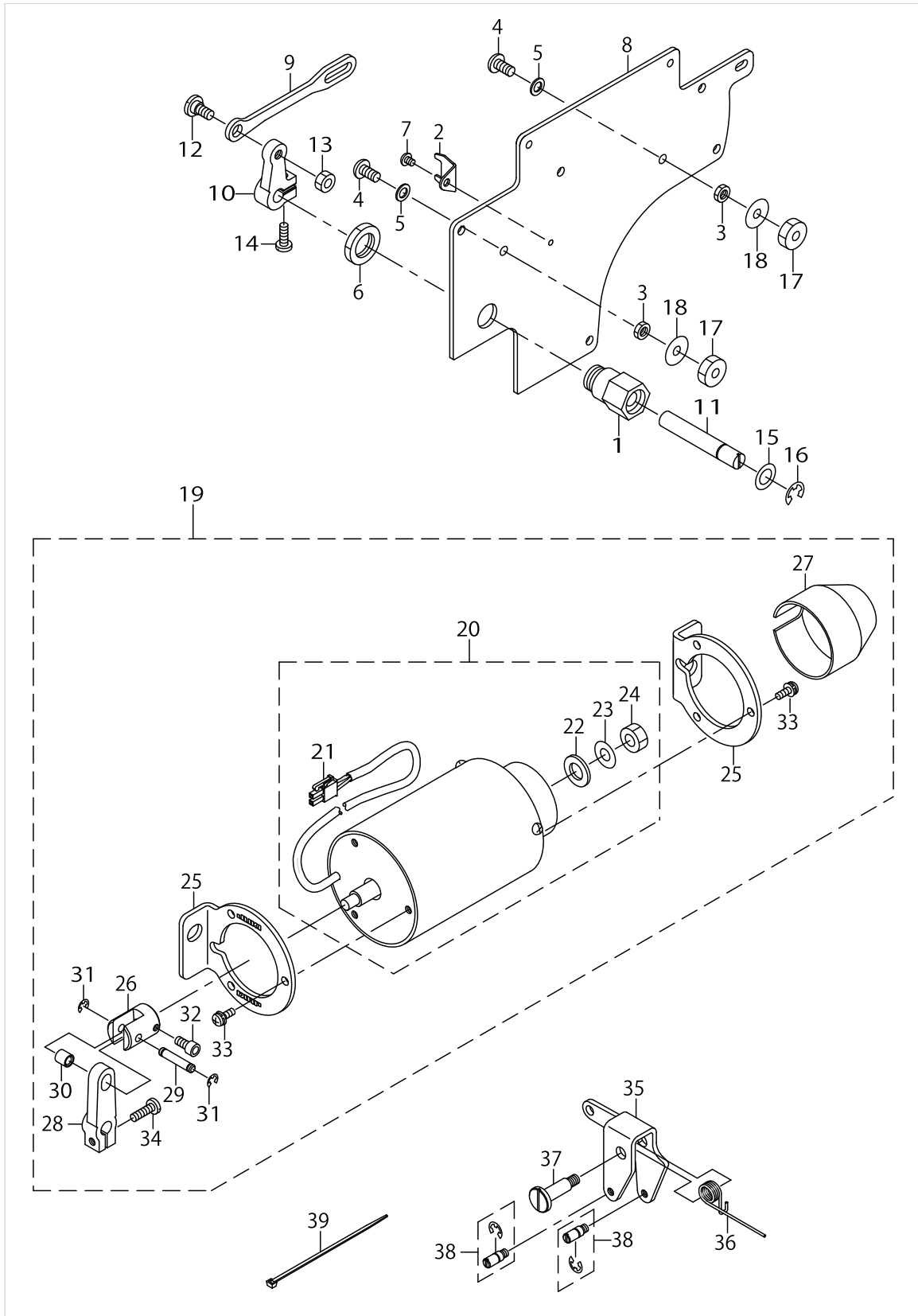


TABLE & STAND COMPONENTS

No.	Supply Code	Parts No.	Replacement	Parts name	Remarks	Choice	Step	Level	Cons	Qty	Rep. QTY
1		23642259		TABLE ASM.						1	
2	R	23642200	23642259	TABLE				*		1	1.00
3		11075900		RUBBER SPACER				*		2	
4		11075801		RUBBER SPACER				*		2	
5		B8210012000		CUSHION SET NAIL				*		4	
6		B8210012000		CUSHION SET NAIL				*		4	
7		D8226555E00		FRAME RUBBER CUSHION A				*		2	
8		11157567		T LEG JUNCTION	FOR JT-D950					1	
9		11159365		T STAND JUNCTION	FOR JT-D952					1	
10		11159357		T-STAND ASM.	FOR JT-D-95J, JT-D95K					1	
11		11155769		SMALL CASTINGS BOX B ASM.						1	
12		11156007		CASE				*		1	
13		11155801		CASE MAGNET				*		1	
14		11155751		CASE ASM. B				*		1	
15		SK3382001SC		WOOD SCREW D=3.8 L=20				*		4	
16		11155157		DRAWER ASM.						1	
17	R	11155108	11155157	DRAWER				*		1	1.00
18		11155207		DRAWER SUPPORT				*		2	
19		SK3311600SE		WOOD SCREW D=3.1 L=16				*		6	
20		GPK710010A0		2-PEDAL ASM., 71	FOR JT-D-95J, JT-D95K					1	
21		D8204555D00		DRAWER STOPPER						1	
22	R	SK3513200SC	SK3513201SE	WOOD SCREW D=5.1 L=32						4	1.00
23		GPK700010A0		3-JOINT PEDAL, 70	FOR JT-D-95J, JT-D95K					1	

AUTOMATIC HAND LIFTER COMPONENTS



AUTOMATIC HAND LIFTER COMPONENTS

No.	Supply Code	Parts No.	Replacement	Parts name	Remarks	Choice	Step	Level	Cons	Qty	Rep. QTY
1		22991103		SOLENOID BUSHING						1	
2		22991202		SOLENOID LINK						1	
3		NS6150310SP		NUT 15/64-28						2	
4		SS4151215SP		SCREW15/64-28L=12						2	
5		WP0651056SD		WASHER 6.5X11X1						2	
6		NM6160511SE		NUT M16X1.5						1	
7		SS4110515SP		SCREW 11/64-40 L=5						1	
8		40060812		SIDE PLATE (AK)						1	
9		GAKA1826000		SOLENOID LINK						1	
10		GAK33027000		SOLENOID ARM						1	
11		22991400		SOLENOID SHAFT						1	
12		SD0800352SP		HINGE SCREW D= 8 H= 3.5						1	
13		NS6150310SP		NUT 15/64-28						1	
14	R	SS7121410SP	SS7121410TP	SCREW 3/16-28 L=14						1	1.00
15		WP1021016SD		WASHER						1	
16		RE0700000K0		E-RING 7						1	
17		NS6150440SP		NUT 15/64-28						2	
18		WP0621036SP		WASHER						2	
19	R	GAK840300BA	40101423	AK"SOLENOIDASM.B						1	1.00
20	R	GAK840300AA	40101423	AK"SOLENOIDASM.A				*		1	1.00
21		HK034610020		2-POLE NYLON PLUG				*		1	
22		GAK33031000		SOLENOIDRUBBER,A				*		1	
23		WP0851846SC		WASHER8.5X22.0X1.8				*		1	
24		NM6080600SM		NUT M8				*		1	
25	D	GAKA1834000		SOLENOID BASE				*		2	
26		GAK33035000		SOLENOID COLLAR				*		1	
27		GAK3303600A		SOLENOID COVER				*		1	
28		GAK33011000		SOLENOID ARM, A				*		1	
29		GAK33012000		SOLENOID PIN				*		1	
30		GAK33013000		SOLENOID PIN COLLAR				*		1	
31		RE0400000KP		E-RING 4				*		2	
32		SM6051002TP		SCREW M5X0.8 L=10				*		1	
33		SS4120915SP		SCREW 3/16-28 L=9				*		6	
34		SS7121610SP		SCREW 3/16-28 L=15.5				*		1	
35		GAKA1841000		KNEE LIFTER LINK						1	
36		GAKA1842000		KNEE LIFTER LINK SPRING						1	
37	R	SD0802126TP	40082079	SHOULDER SCREW D=8 H=21.2						1	1.00
38		GAK330400A0		SHAFT PIN ASM.						2	
39		HX000430000		CLIP						1	

LIST FOR INFORMATION OF CHANGE

As to the place changed, refer to the corresponding Rev.No.
 When previous parts(Obsoleted part)and new parts(Added parts)are
 not interchangeable with each other:
 In this case,even obsoleted parts(D.)can be ordered with the
 obsoleted part number,so select the parts with changed dates and
 place your orders.

変更箇所は,該当Rev.No.版をご参照ください。
 部品の互換性がない変更の場合は,削除された品番でも,ご注文できます。
 40067750

No.1498-01 Rev.No.

*A:Added parts追加部品/D:Obsoleted parts削除部品/E:Erratum訂正

*	Rev. No.	Page No.	Ref. No.	Parts No. 品番	*	Rev. No.	Page No.	Ref. No.	Parts No. 品番
D	00	2	9	SL-6051492-TN	A	01	2	9	SM-4050855-SP
D	00	8	26	114-34065	A	01	8	26	400-70134
D	00	8	27	D1421-555-B00	A	01	8	27	400-70074
D	00	10	20	400-61204	A	01	10	20	400-37017
D	00	10	32	CS-111101E-SH	A	01	10	32	CS-111101C-SH
D	00	10	33	SS-8660330-SP	A	01	10	33	SS-6660710-TP
D	00	10	74	SM-5040601-SC	A	01	10	74	SL-4040805-SC
D	00	12	75	400-32052	A	01	12	75	400-68998
					A	01	20	33	WP-0330501-SB
D	00	22	35	HX-0059700-00	A	01	22	35	HX-0029200-0A
D	00	23	29	SM-4050855-SP	A	01	23	29	SM-4051055-SP
					A	01	30	-	ALL PARTS - 全部品

HOW TO MAKE USE OF THIS PARTS LIST

1.Explanation of codes

1)"*"mark.....means this part is changed from the previous parts book.

As to the details of the change, refer to the "List for information of change".

2)"#01".....refer to "Note" explanation at bottom of page.

2.Codes on the "Qty" column

- Each numeral indicates the number of parts required.
- "0.1" and "2.5" indicate the length (in meters) of the respective parts.

3.Parentheses mean that the corresponding part is a subpart that constructs an assembly part.

4.Dotted lines on the Figures indicate assembly parts.

5.As to the parts with marks of "☆"(consumable parts) and "◎"(optional parts)on the respective parts, it is recommended to prepare spares.

1 ."注記"欄の記号説明

1) "*"印.....前回のパーツブックに比較して今回変更された部品を意味します。

変更内容は、"変更情報リスト"を参照してください。

2) "#01".....ページ下の"注記"の説明を参照してください。

2.数量欄の数字は、個数を表し、0.1、2.5等の数値は、長さ（単位メートル）を表します。

3.数量欄の（ ）は、組部品を構成している子部品であることを意味します。

4.イラストページの-----枠は、組構成であることを意味します。

5.リストページの"☆"（消耗部品）、"◎"（オプション部品）の印がついた部品は、予備を準備しておくことをお奨めします。

NUMERICAL INDEX OF PARTS

PART NO	PAGE	REF NO.	PART NO	PAGE	REF NO.	PART NO	PAGE	REF NO.
11028008	6	85·86	11426707	42	6	22907406	14	15
11043304	30	17	11426855	42	5	22907802	14	22
11072204	8	25	11427101	42	3	22908008	14	8
11075801	50	4	11427200	42	4	22908552	14	24
11075900	50	3	11427309	40	10	22908909	16	55
11110301	38	15	11427606	42	30	22911002	22	13
11155108	50	17	11427705	40	9	22911101	22	6
11155157	50	16	11427804	42	26	22912000	20	58
11155207	50	18	11427960	40	22	22912109	20	57
11155751	50	14	11428000	42	25	22920300	14	40
11155769	50	11	11428307	42	19	22920409	16	41
11155801	50	13	11428505	40	6	22920607	4	60
11156007	50	12	11428802	40	34	22926000	48	11
11157567	50	8	11429008	40	5	22926208	48	13
11159357	50	10	11429107	38	29	22926356	48	14
11159365	50	9	11429305	40	2	22926505	48	15
11315108	42	17	11429404	40	4	22930309	44	14
11353505	28	51	11434206	14	29	22930358	44	1
11419108	30	1	11434313	14	28	22930408	44	10
11419207	30	5	11496767	40	30	22930507	44	9
11419405	30	2	11497104	26	5·8	22930705	44	7
11419504	30	10	11497302	26	3·10	22930804	44	5
11419603	30	9	13170105	32	6	22930903	44	4
11419702	30	11	13171004	32	5	22931000	44	3
11419801	30	12	22886907	10	27·28	22931109	44	2
11419900	30	13	22887004	10	27·28	22931208	44	15
11420106	26	7	22888002	24	61	22931307	44	11
11420205	26	3·10	22890008	24	73	22931406	44	8
11420502	26	5·8	22890206	24	68~70	22931604	48	3
11420601	26	6	22890305	24	68~70	22932404	46	15
11420700	26	19	22890404	24	68~70	22932453	46	14
11420809	26	22	22891204	10	40	22932800	48	2
11421104	26	30	22896252	24	67	22933006	48	19
11421203	26	31	22901201	2	14·15	22933105	48	5
11421401	26	25	22901250	2	12·13	22933204	48	6
11421500	26	20	22901300	2	16·17	22933303	48	20
11421708	26	39	22901805	4	81	22934202	46	24
11422706	38	30	22902506	2	30	22934251	46	23
11424959	38	27	22902704	2	14·15	22934301	46	25
11425451	38	32	22902753	2	12·13	22934400	46	26
11425659	38	31	22904106	22	23	22934509	46	27
11425907	38	2	22904155	22	22	22934608	46	28
11426301	40	12	22906309	12	47	22944508	2	21
11426368	40	11	22906408	10	30	22944508	14	34
11426608	42	2	22906457	10	29	22945414	4	62

NUMERICAL INDEX OF PARTS

PART NO	PAGE	REF NO.	PART NO	PAGE	REF NO.	PART NO	PAGE	REF NO.
22945463	4	61	23610306	14	17	23632359	34	17
22945505	4	64	23610504	16	48	23632607	34	33
22945604	4	63	23610652	16	49	23632656	34	25
22945703	4	65	23610702	16	51	23638109	4	73
22945802	4	66	23611106	16	47	23638208	4	74
22950000	26	15	23612104	18	5	23638307	4	75
22950950	30	6	23612609	18	38	23638406	4	76
22952501	20	50	23612716	18	40	23638554	4	77
22955900	38	13	23612807	18	11	23639008	46	2
22956007	38	14	23613508	18	30	23639107	46	4
22956106	38	6	23613805	20	64	23639156	46	3
22956205	38	10	23613904	18	24	23639206	46	7
22956304	38	11	23614506	22	25-26	23639305	46	8
22956809	38	26	23616006	22	2	23639404	46	9
22956908	38	9	23616204	22	20	23639503	46	10
22957104	38	16	23616600	22	33	23639602	46	11
22957203	38	28	23618101	24	47	23639701	48	8
22958003	48	12	23618309	24	52	23640006	4	10-47
22958052	48	10	23618705	24	78	23642200	50	2
22958300	48	7	23618804	24	79	23642259	50	1
22962906	34	14	23620008	24	56	26226209	18	27
22962906	36	6	23620354	22	34	26260109	8	2
22991103	52	1	23620404	24	74	26260208	8	3
22991202	52	2	23620503	24	54	26260307	8	4
22991400	52	11	23620701	24	62~65	26260406	8	5
23533904	20	54	23620800	24	62~65	26260505	8	6
23534506	20	59	23620909	24	62~65	26260604	8	7
23600406	2	3	23621006	24	62~65	26260802	8	8
23600505	2	4	23624505	30	25	26261008	8	9
23600703	2	6	23624554	30	24	26261206	8	10
23601305	4	84	23626005	4	50	26261305	8	11
23604010	10	1	23626104	4	69	26261503	8	12
23604705	32	12	23626203	10	33	26261602	8	13
23605207	10	10	23626351	16	42	26261701	8	14
23605256	10	7	23626807	16	43	40000391	22	37
23607302	10	24	23629900	4	82	40000392	22	38
23608003	10	25	23630007	18	29	40003560	40	25
23609001	14	1	23631104	34	3	40004171	10	4
23609308	14	12	23631708	34	30	40010434	12	46
23609357	14	5	23631757	34	15	40011144	8	15
23609456	14	6	23631807	34	31	40012032	18	6
23609605	14	7	23631906	34	32	40014837	8	16
23609704	14	14	23632003	34	23	40020454	10	18
23609803	14	13	23632102	34	26	40020455	10	19
23610207	14	16	23632250	34	27	40022407	2	11

NUMERICAL INDEX OF PARTS

PART NO	PAGE	REF NO.	PART NO	PAGE	REF NO.	PART NO	PAGE	REF NO.
40023021	8	1	40037192	22	1	40060342	42	18
40023022	8	17	40037359	14	18	40060343	38	7
40023289	20	67	40037365	22	4	40060345	38	20
40024644	32	11	40037370	10	37	40060410	38	38
40024843	4	49	40037484	48	1	40060448	22	32
40024845	4	57	40037488	2	10-47	40060511	22	45
40025729	10	3	40039078	14	3	40060782	26	1-2
40026272	18	2	40039708	14	38	40060783	26	4-9
40026274	18	16	40039946	10	22	40060786	30	4
40026277	22	5	40040202	8	24	40060787	26	27
40026278	22	31	40040203	8	26	40060789	26	37
40026281	22	16	40040264	14	2	40060791	30	15
40026282	22	36	40040370	18	8	40060793	26	23
40026286	32	2	40040499	18	36	40060794	30	14
40026287	22	41	40040518	34	1	40060795	28	59
40026288	22	43	40040519	34	2	40060796	28	50
40026290	34	12	40041161	2	2	40060799	26	29
40027156	34	4	40042079	22	10	40060800	26	18
40028112	18	31	40044857	10	9	40060801	28	63
40029398	28	68	40046108	38	24	40060802	28	60
40030786	24	51	40050219	20	47	40060804	24	57
40030790	22	44	40050220	20	48	40060807	18	22
40031608	24	71	40050221	18	44	40060809	18	21
40033393	18	3	40050265	12	48	40060812	52	8
40034246	32	3	40050581	34	34	40060813	20	75
40035589	2	37	40050582	14	39	40060814	6	87
40035855	10	38	40050583	14	21	40060815	2	34
40036343	18	35	40050584	20	61	40060817	18	26
40036344	18	34	40051473	10	12	40060818	36	9
40036347	10	26	40051474	10	13	40060821	20	69
40036706	14	32	40052933	4	45	40060822	36	11
40036997	26	12	40053172	20	55	40060823	18	28
40037002	4	71	40053340	18	42	40060825	36	8
40037003	10	2	40053450	18	43	40060828	36	3
40037005	22	15	40053465	18	13	40060830	36	1
40037008	8	30	40053720	22	40	40060832	28	62
40037017	18	20	40055569	20	53	40060833	36	16
40037018	4	72	40055585	18	39	40060834	36	15
40037141	14	19	40055591	48	4	40060865	24	77
40037144	14	20	40056502	18	12	40060868	22	14
40037146	32	13	40056622	16	46	40060869	18	19
40037166	32	7	40056706	30	16	40061012	18	23
40037180	32	1	40056721	20	45	40061246	22	8
40037188	18	1	40058504	22	9	40061486	36	20
40037191	18	15	40060341	42	7	40061560	20	65

NUMERICAL INDEX OF PARTS

PART NO	PAGE	REF NO.	PART NO	PAGE	REF NO.	PART NO	PAGE	REF NO.
40061562	2	8	B8216271000	48	25	HW200390000	38	18
40062104	2	33	B9117552A00	24	72	HW500070000	38	19
40062167	40	3	B9117552A00	48	16	HX000430000	48	9
40062168	28	67	BT0400251EB	40	38	HX000430000	52	39
40062179	48	24	BT0400251EB	42	1	HX002330000	40	37
40062180	26	35	BT0600401EB	40	43	HX00292000A	40	35
40062316	20	73	BT0800501EB	40	44	MC200500750	10	34·35
40062321	46	1	BT1601001Z0	40	45	MC200500750	48	17·18
40062371	10	15	CM300200001	2	23	MDB100B1100	10	34·35
40062372	10	16	CM300200003	2	25	MDB100B1100	48	17·18
40062651	20	52	CM300300001	36	22	NM6040000SN	30	20
40064984	48	21	CM301300001	2	29	NM6050001SD	26	32
40066590	26	11	CM600100101	4	48	NM6050001SD	38	36
40066591	26	14	CS111101CSH	18	32	NM6050001SE	44	17
40066592	26	38	CS1200981TP	24	58	NM6060001SE	46	5
40066602	28	54	D2422530D00	26	44	NM6060003SE	14	31
40067252	2	1	D2468555B00	34	5	NM6080600SM	52	24
40067412	26	1·2	D5119206K0K	16	50	NM6160511SE	44	18
40067413	26	4·9	D8204555D00	50	21	NM6160511SE	52	6
40067469	38	1	D8226555E00	50	7	NS6090310SP	38	5
40068998	24	75	EA9500B0100	4	78	NS6110310SP	20	68
40070074	14	27	EA9500B0100	12	50	NS6110310SP	26	45
40070134	14	26	EA9500B0100	34	28	NS6110310SP	38	12
B1109012I0B	6	85·86	F10120030A0	40	27	NS6110350SP	34	10
B1116210D00	46	12	GAK33011000	52	28	NS6110420SP	36	7
B1155771000	40	28	GAK33012000	52	29	NS6150310SP	26	17
B1414555000	10	32	GAK33013000	52	30	NS6150310SP	36	13
B1521555000	14	23	GAK33027000	52	10	NS6150310SP	46	17
B1613012I00	22	25·26	GAK33031000	52	22	NS6150310SP	52	13
B1620487000	42	20	GAK33035000	52	26	NS6150440SP	52	17
B185351200C	36	14	GAK3303600A	52	27	NS6620310SP	16	44
B3115552000	4	51	GAK330400A0	52	38	NS6660410SH	30	18
B3118552F00	4	44	GAK840300AA	52	20	NS6660430SP	30	19
B3120125000	4	52	GAK840300BA	52	19	PA1003018B0	42	21
B3120125000	8	29	GAKA1826000	52	9	PC010507000	42	23
B3126012000	4	53	GAKA1834000	52	25	PF902005000	40	26
B3126012000	8	27	GAKA1841000	52	35	PJ032526001	40	23
B3128012000	4	54	GAKA1842000	52	36	PJ301040501	40	21
B3129012A00	4	55	GPK700010A0	50	23	PJ301040502	40	8
B3129012A00	8	28	GPK710010A0	50	20	PJ301060501	40	19
B3132552000	4	56	HA006000000	38	17	PJ301080001	40	1
B412352200A	22	28~30	HK034610020	52	21	PJ301085102	40	15
B412352200B	22	28~30	HK03464000B	30	22	PJ304085103	40	16
B412352200C	22	28~30	HK03464000B	34	6	PJ308080001	40	46
B8210012000	50	6	HK03464000B	38	23	PJ308085201	40	24

NUMERICAL INDEX OF PARTS

PART NO	PAGE	REF NO.	PART NO	PAGE	REF NO.	PART NO	PAGE	REF NO.
PS0300062KH	28	56	SD0701511TP	28	49	SM4051055SP	2	31
PS0500102KH	20	71	SD0720331SP	26	41	SM4051055SP	8	33
PV130524000	40	14	SD0720331SP	46	20	SM4051055SP	24	76
PV135103000	40	13	SD0720336SP	14	30	SM4051055SP	34	24
RC0560711KP	8	18	SD0790601SP	36	12	SM4051055SP	42	29
RC1200001KP	20	72	SD0800352SP	52	12	SM4051255SP	38	37
RC1200001KP	28	47	SD0802126TP	52	37	SM4051405SE	44	12
RC2651218KP	30	8	SD1001506TP	34	13	SM4061255SP	36	2
RE0250000K0	38	8	SD1001506TP	36	10	SM5040655SN	4	68
RE0400000K0	8	19	SK3311600SE	50	19	SM5040655SN	8	20
RE0400000K0	20	63	SK3382001SC	50	15	SM6040602TP	14	9
RE0400000KP	52	31	SK3412000SC	40	33	SM6050802TP	36	4
RE0500000K0	14	54	SK3513200SC	50	22	SM6051002TP	26	65
RE0500000K0	16	54	SK3513201SE	48	22	SM6051002TP	28	65
RE0500000K0	18	37	SL4030631SC	38	3	SM6051002TP	52	32
RE0500000K0	26	40	SL4030641SE	38	22	SM6051202TP	36	21
RE0600000K0	36	17	SL4030881SF	40	20	SM6051400SP	14	4
RE0600000K0	42	16	SL4040805SC	20	74	SM6051400SP	22	17
RE0700000K0	52	16	SL6040892TN	32	10	SM6051602TP	18	17
RE1000000K0	46	19	SL6051292TN	20	66	SM6051802TP	42	28
RE1200000K0	34	7	SL6051492TN	14	37	SM6051850TP	20	51
RO037180100	14	25	SL6051492TN	32	8	SM6061610SC	44	6
RO080150200	4	83	SL6052592TN	2	26	SM6066002TN	28	61
RO195240100	32	4	SL6052592TN	12	49	SM80404A2TP	18	4
SB120000800	10	21	SL6053592TN	16	52	SM8040802TP	8	21
SB120001000	24	80	SL6061292TN	2	35	SM8050412TP	24	59
SB120001300	10	8	SL6061292TN	28	64	SM8050502TP	8	22
SB307000200	12	41~45	SL6061292TN	30	23	SM8051610SP	10	20
SB30700020A	12	41~45	SL6061292TN	34	11	SM8053002TP	26	33
SB30700020B	12	41~45	SM0051001SC	8	32	SM8053002TP	38	34
SB30700020C	12	41~45	SM1051052TN	20	56	SM80606A2TP	10	6
SB30700020D	12	41~45	SM2040955TP	2	28	SM80606A2TP	24	60
SB32000060A	24	48~50	SM4021201SC	4	79	SM80608A2TP	4	70
SB32000060B	24	48~50	SM4040655SP	2	36	SM80608A2TP	10	39
SB32000060C	24	48~50	SM4040655SP	14	36	SM80608A2TP	18	7
SD0380551SL	28	48	SM4040655SP	20	49	SM80608A2TP	24	81
SD0500251SP	26	53	SM4040655SP	22	42	SM8063012TR	46	6
SD0500251SP	28	53	SM4040655SP	28	55	SM8081652TP	10	5
SD0500402SP	26	43	SM4050501SC	12	51	SM9040600SP	18	18
SD0600291TP	42	13	SM4050655SP	4	88	SM9041050SC	42	22
SD0630275SP	28	58	SM4050655SP	6	88	SM9061203SE	46	29
SD0640321SP	42	12	SM4050655SP	14	35	SM9061853SR	46	22
SD0640321TP	26	36	SM4050855SP	2	32	SM9062053SR	46	16
SD0641456TP	28	57	SM4050855SP	22	19	SS1110710SP	42	27
SD0650321TP	38	4	SM4050855SP	34	8	SS4080620TP	22	27

NUMERICAL INDEX OF PARTS

PART NO	PAGE	REF NO.	PART NO	PAGE	REF NO.
SS4110515SP	42	31	TA0850604R0	2	38
SS4110515SP	52	7	TA1250406R0	2	89
SS4110715SP	40	32	TA1250406R0	6	89
SS4120915SP	52	33	TA1270502R0	2	42
SS4151215SP	52	4	TA1470704R0	2	41
SS6060210SP	2	18	WP0330501SB	38	33
SS6080320SP	42	24	WP0430800SC	30	21
SS6090510TP	26	13	WP0450826SC	8	23
SS6090540SP	38	25	WP0482086SD	42	8
SS6090620TP	22	12	WP0501016SA	42	15
SS6090670TP	10	31	WP0501016SD	36	5
SS6090670TP	22	53	WP0501016SD	38	35
SS6090670TP	24	53	WP0502616SD	28	66
SS6110610TP	4	59	WP0531000SD	22	18
SS6110650TP	22	35	WP0531000SD	36	19
SS6110710TP	30	26	WP0550836SC	48	23
SS6121610SP	22	11	WP0621016SD	14	33
SS6121860SP	18	62	WP0621016SH	26	16
SS6121860SP	20	62	WP0621036SP	52	18
SS6621212TP	26	46	WP0650876SD	46	13
SS6660710TP	18	33	WP0651056SD	52	5
SS7080510TP	10	36	WP0651056SH	26	28
SS7091110TP	16	53	WP0851846SC	52	23
SS7110510SP	40	31	WP1021016SD	52	15
SS7110710SP	40	7	WP1612616SE	44	19
SS7110740TP	26	21	WP1703001SC	34	9
SS7110740TP	34	29	WP1751616SD	20	60
SS7121410SP	52	14	WS0510002KN	44	16
SS7121610SP	52	34	WS1643202KR	44	20
SS7620750SP	20	70			
SS8080310TP	38	21			
SS8090670SP	4	58			
SS8110410TP	26	24			
SS8110422TP	42	10			
SS8110520TP	30	7			
SS8110520TP	42	9			
SS8110710SP	22	46			
SS8150822TP	22	3			
SS8151150TP	22	39			
SS8660610TP	22	24			
SS8660612TP	18	46			
SS8660612TP	20	46			
SS8660612TP	30	3			
SS8661012TP	18	14			
SS8661012TP	24	66			