

MODEL : MS-3580 Series

List No : 1506-06

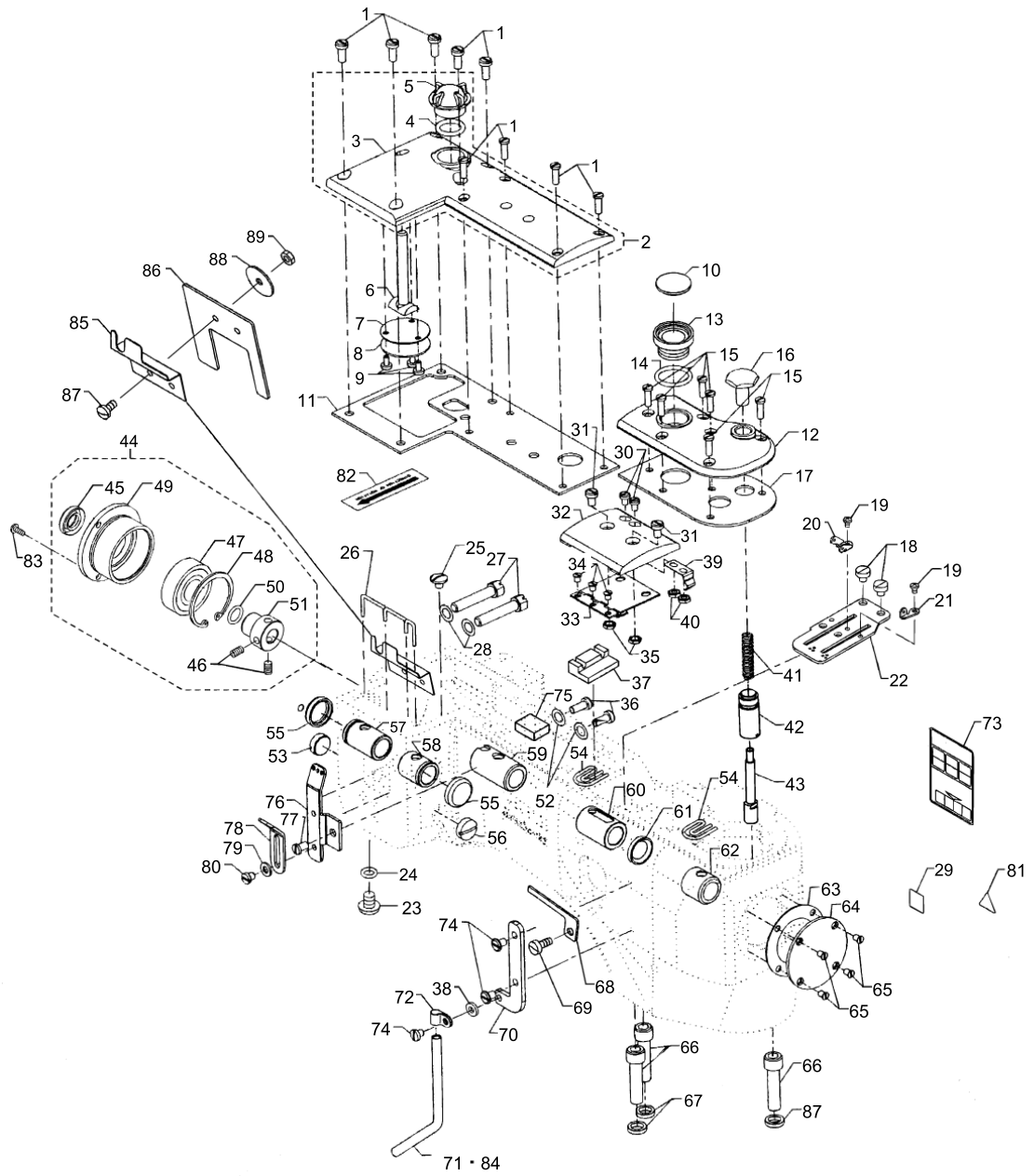
PARTS LIST

Published:05/12/2017

CONTENTS

FRAME MISCELLANEOUS & BEARING COMPONENTS	1
FRAME MISCELLANEOUS, BEARING & FOLDER COMPONENTS (FOR MS-3580SF/0SN).....	7
FRAME MISCELLANEOUS, BEARING & FOLDER COMPONENTS (FOR MS-3580SF/1SN).....	11
DETACHABLE HEAD COMPONENTS.....	15
OIL LUBRICATION & NEEDLE DRIVING COMPONENTS	19
FEED MECHANISM COMPONENTS (FOR MS-3580SF/0SN).....	23
FEED MECHANISM COMPONENTS (FOR MS-3580SF/1SN).....	27
LOOPER DRIVING COMPONENTS (FOR MS-3580SF/0SN)	31
LOOPER DRIVING COMPONENTS (FOR MS-3580SF/1SN)	35
UPPER ROLLER FEED & THREAD TENSION COMPONENTS.....	37
PULLEY, UPPER ROLLER FEED & DRIVING COMPONENTS	43
SEWING PARTS COMPONENTS.....	47
THREAD STAND COMPONENTS.....	49
ACCESSORIES PARTS COMPONENTS	51
LIST FOR INFORMATION OF CHANGE.....	55
HOW TO MAKE USE OF THIS PARTS LIST	56

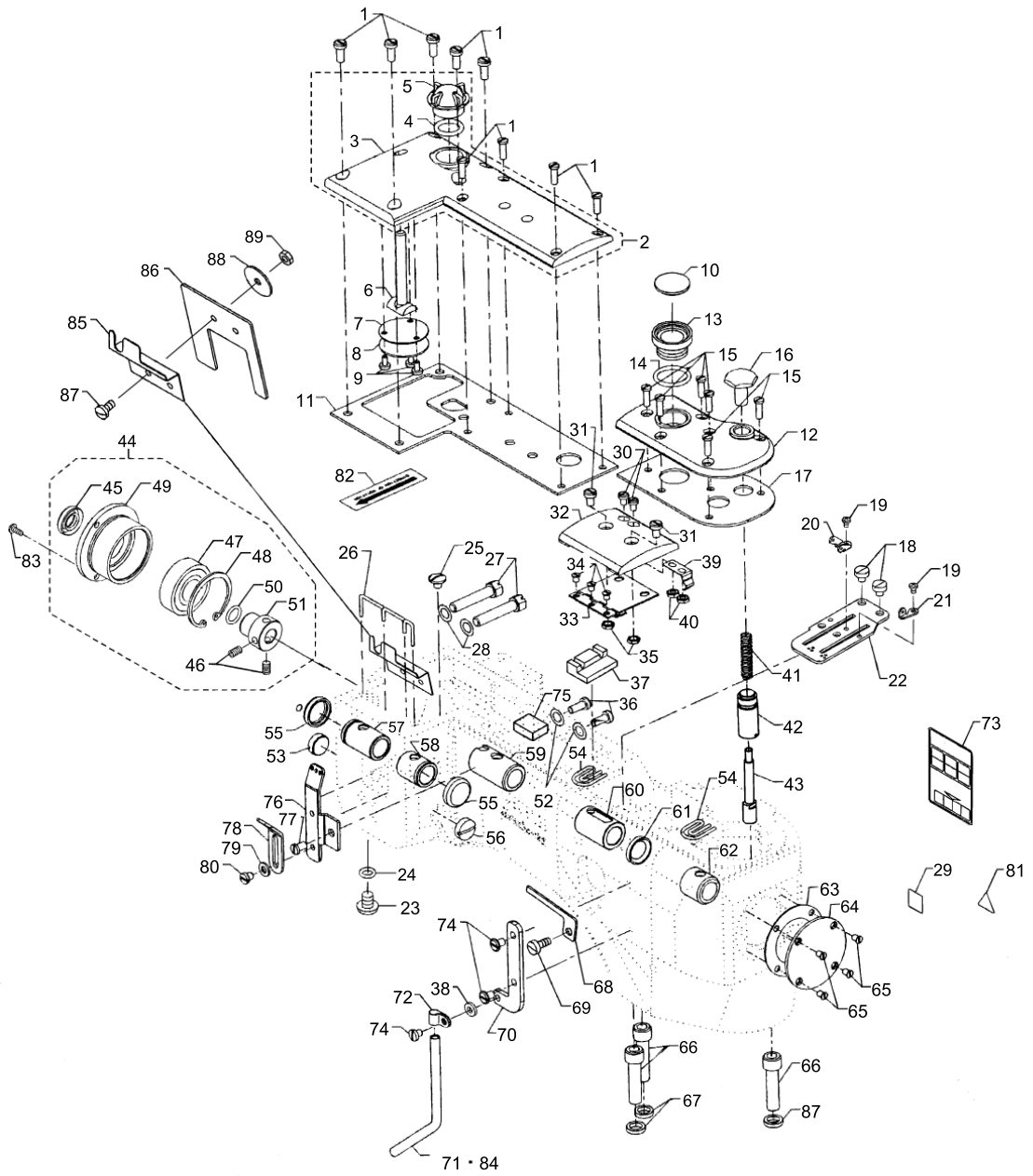
FRAME MISCELLANEOUS & BEARING COMPONENTS



FRAME MISCELLANEOUS & BEARING COMPONENTS

No.	Supply Code	Parts No.	Replacement	Parts name	Remarks	Choice	Step	Level	Cons	Qty	Rep. QTY
1		SS4111215SP		SCREW 11/64-40L=12						9	
2		40066849		CHAMBER COVER ASSEMBLY						1	
3		40070102		TOP COVER REAR				*		1	
4		RO148240200		RUBBER RING				*		1	
5		22924708		OIL SIGHT WINDOW				*		1	
6		40066851		PRESSER SPRING BAR						1	
7		40066854		GASKET						1	
8		40066855		COVER PLATE						1	
9		SM5030655SP		SCREW						3	
10		40009014		OIL SIGHT WINDOW						1	
11		40068335		GASKET						1	
12		40066857		TOP COVER FRONT						1	
13		40072348		SCREW						1	
14		RO148240200		RUBBER RING						1	
15		SM4041255SP		SCREW M4 L=12						6	
16		40066864		LOOPER THROW O-UT PLUNGER KNOB						1	
17		40068341		GASKET						1	
18		SM6050800SP		SCREW M5 L=8						2	
19		SS4080515SP		SCREW 1/8-44 L=5						2	
20		40066865		CAST OFF PLATE EYELET						1	
21		40066866		CAST OFF PLATE EYELET						1	
22		40068345		CAST OFF PLATE						1	
23	R	13171004	SM0081001SD	DRAIN SCREW						1	1.00
24		13170105		RUBBER RING						1	
25		SM6050660TP		SCREW						1	
26		CQ303000000		OIL WICK						.15	
27		SM6063002TP		SCREW M6 L=30						2	
28		WP0651056SD		WASHER 6.5X11X1						2	
29		CM600100101		WEEE MARK LABEL S						1	
30		SS7090710SP		SCREW 9/64-40 L=6.8						2	
31		SS6111010TP		SCREW 11/64-40 L=9.5						2	
32		40070062		TOP COVER						1	
33		40066875		MIDDLE TOP COVER HINGE						1	
34		SS6090420SP		SCREW 9/64-40 L=4.0						3	
35		NS6110350SP		NUT 11/64-40						2	
36		SS7121410TP		SCREW 3/16-28 L=14						2	
37		40066876		SEAL LOWER						1	
38		B144418000B		WASHER						1	
39		40066878		SPRING TOP COVER						1	
40		NS6090310SP		NUT 9/64-40						2	
41		40066880		LOOPER THROW O-UT PLUNGER SPRING						1	
42		40066881		LOOPER THROW OUT BUSHING						1	
43		40068368		LOOPER THROW OUT PLUNGER						1	
44		40066882		BEARING HOUSING ASSEMBLY						1	
45		40112855		LIP SEAL				*		1	

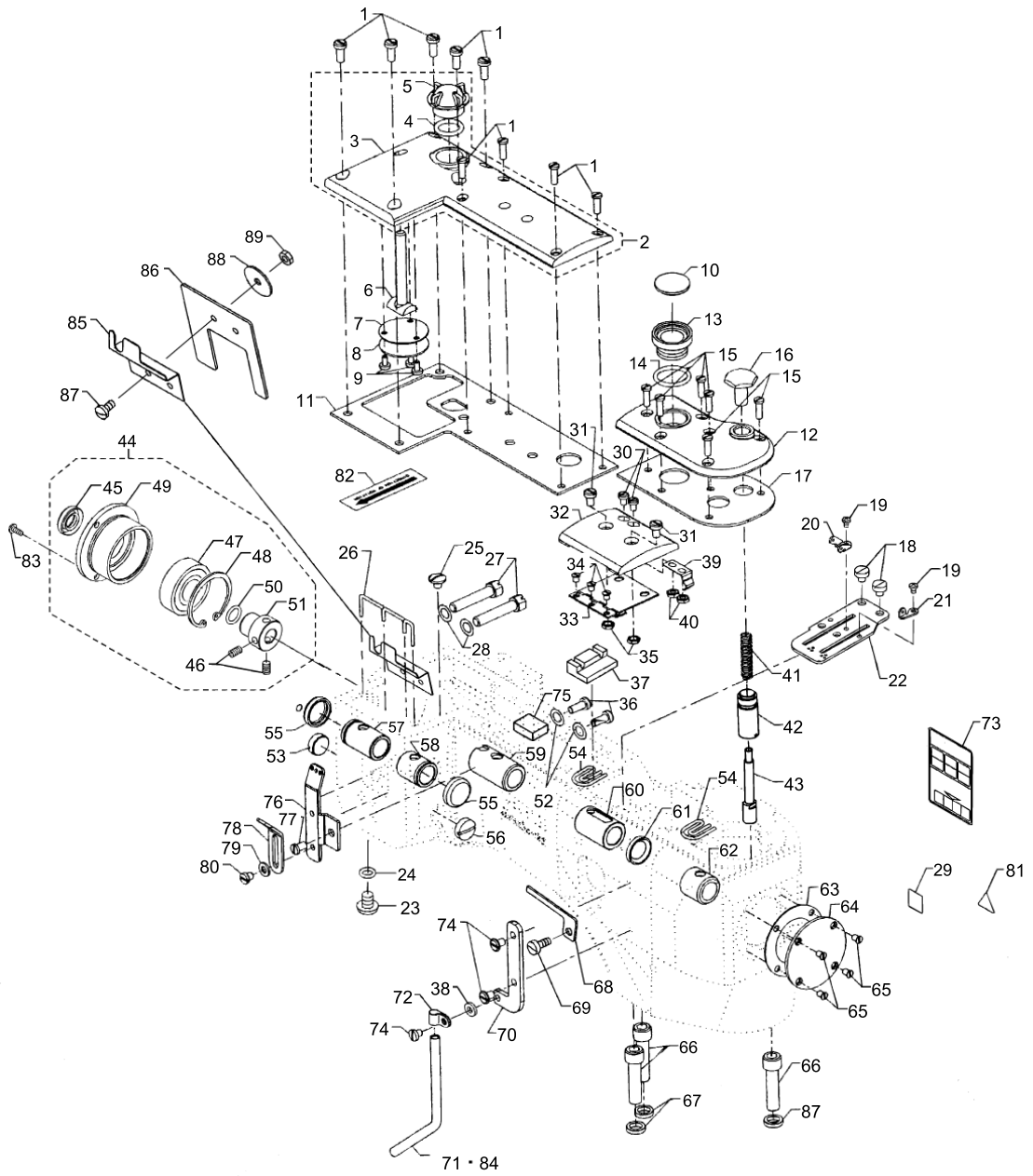
FRAME MISCELLANEOUS & BEARING COMPONENTS



FRAME MISCELLANEOUS & BEARING COMPONENTS

No.	Supply Code	Parts No.	Replacement	Parts name	Remarks	Choice	Step	Level	Cons	Qty	Rep. QTY
46		SS8660612TP		SCREW 1/4-40 L=6				*		2	
47		SB120002200		BEARING				*		1	
48		40068371		RETAINING RING				*		1	
49		40068645		BEARING HOUSING				*		1	
50		40070015		O-RING				*		1	
51		40066884		ADAPTOR BEARING				*		1	
52		WP0480856SP		WASHER 4.8X8.4X0.8						2	
53		40070075		PLUG SCREW						1	
54		CQ200000000		OIL WICK						.2	
55		40066891		BUSHING CAP PLASTIC						2	
56		40066892		PLUG SCREW						1	
57		40066893		NEEDLE LEVER SH-AFT BUSHING REAR						1	
58		40066894		NEEDLE LEVER SH-AFT BUSHING FRONT						1	
59		40066895		CRANK SHAFT BUSHING REAR						1	
60		40066896		MAIN SHAFT BUSHING CENTER						1	
61		40112856		OIL SEAL						1	
62		40066898		MAIN SHAFT BUSHING FRONT						1	
63		40066899		GASKET						1	
64		40070157		ROLLER END COVER						1	
65		SS1090520TP		SCREW 9/64-40 L=5						4	
66		40009520		SCREW 5/16-24 L=38						3	
67		40066902		WASHER						3	
68		40066903		LOOPER THREAD GUIDE BASE						1	
69		SS6110610TP		SCREW 11/64-40 L=6						1	
70		40069957		THREAD GUIDE						1	
71		40068376		LOOPER GUIDE COVER	WITH DIFF-ERENTIAL FEED					1	
72		40067249		CLAMP TUBE						1	
73		CM301200001		SAFETY LABEL_S						1	
74		SS6110610TP		SCREW 11/64-40 L=6						3	
75		40083065		FELT						1	
76		40066905		NEEDLE THREAD E-YELET THREE HOLES						1	
77		SS7110840SP		SCREW 11/64-40 L=7.8						1	
78		40066906		NEEDLE THREAD E-YELET THREE HOLES						1	
79		WP0450801SP		WASHER						1	
80		SS6110610TP		SCREW 11/64-40 L=6						1	
81		CM300200001		ATTENTION SEAL						3	
82		CM500300001		DIRECTION LABEL						1	
83		SS4111015SP		SCREW 11/64-40 L=10						3	
84		40068378		LOOPER GUIDE PIPE	WITHOUT DIFFERENTIAL FEED					1	
85		40066890		OIL SHIELD						1	
86		40073130		RUBBER						1	
87		SS7090850SP		SCREW 9/64-40 L=8						2	
88		WP0370316SD		WASHER 3.7X8X0.3						2	

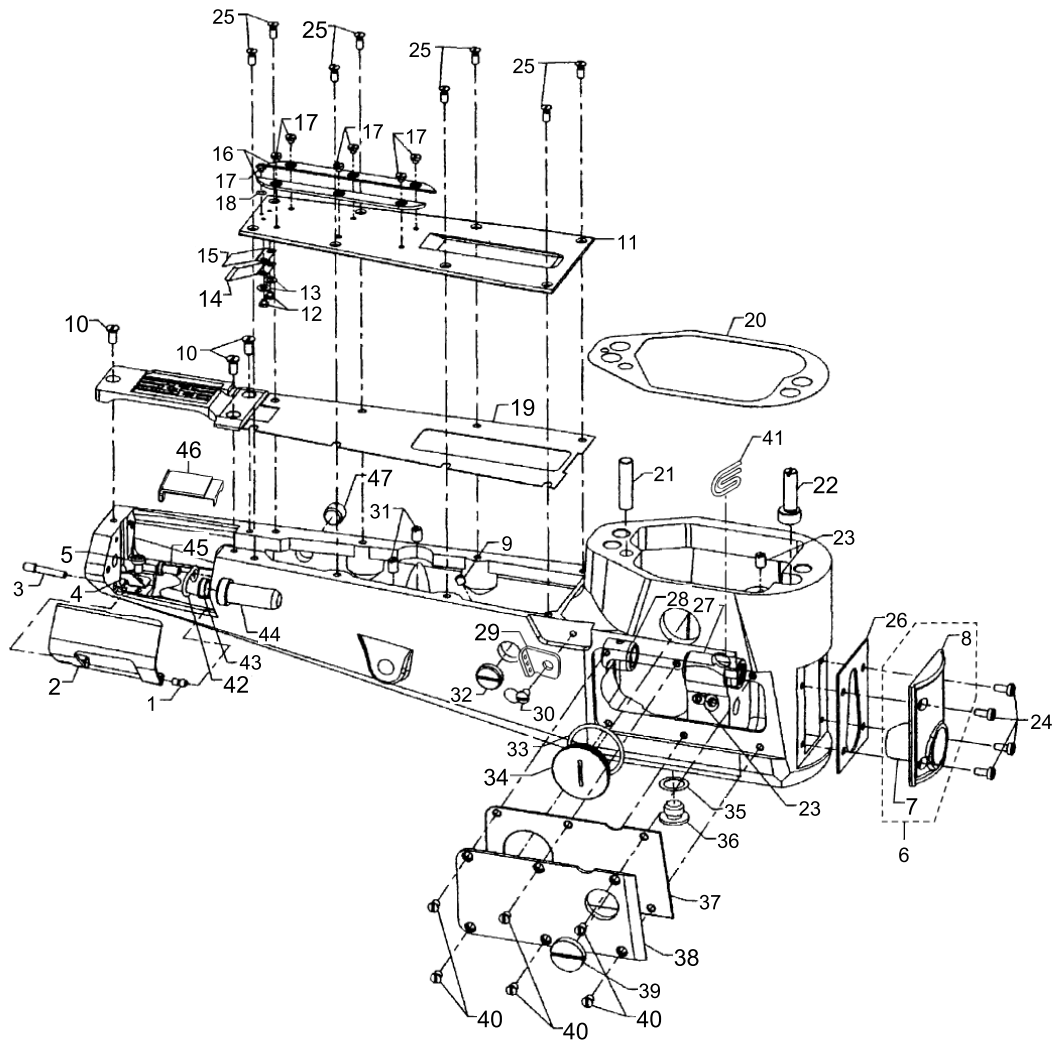
FRAME MISCELLANEOUS & BEARING COMPONENTS



FRAME MISCELLANEOUS & BEARING COMPONENTS

No.	Supply Code	Parts No.	Replacement	Parts name	Remarks	Choice	Step	Level	Cons	Qty	Rep. QTY
89		NS6090310SP		NUT 9/64-40						2	

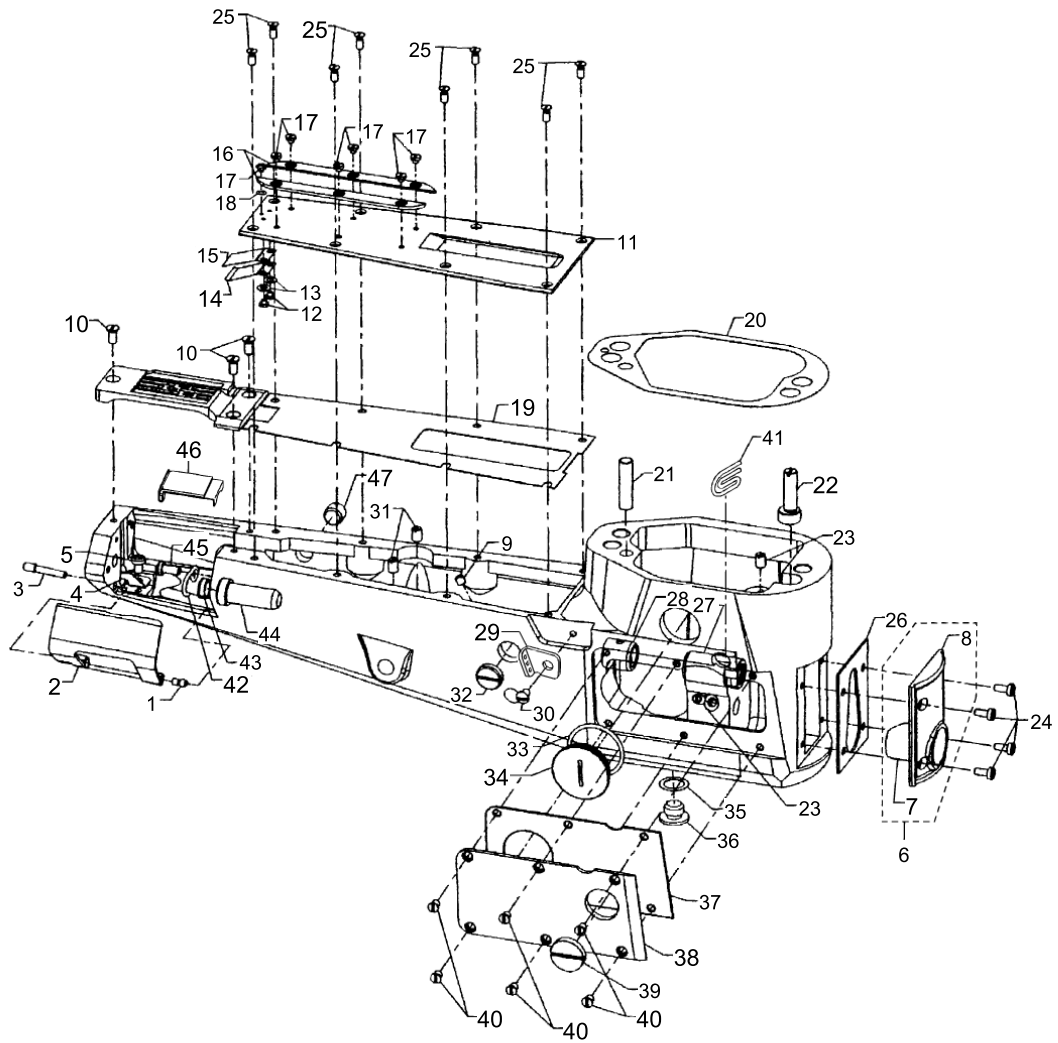
FRAME MISCELLANEOUS, BEARING & FOLDER COMPONENTS (FOR MS-3580SF/0SN)



FRAME MISCELLANEOUS, BEARING & FOLDER COMPONENTS (FOR MS-3580SF/0SN)

No.	Supply Code	Parts No.	Replacement	Parts name	Remarks	Choice	Step	Level	Cons	Qty	Rep. QTY
1		40066909		PIN						1	
2		40066911		LOOPER COVER						1	
3		40066912		SCREW PIN						1	
4		40066913		SPRING					☆	1	
5		SS6090670TP		SCREW 9/64-40 L=6						1	
6		40066920		CYLINDER COVER AND OIL GAUGE						1	
7		40066923		OIL GAUGE				*		1	
8		40069993		CYLINDER COVER FRONT				*		1	
9		SS8110520TP		SCREW 11/64-40 L=4.5						1	
10		40069884		SCREW					☆	3	
11		40068382		CYLINDER COVER						1	
12		SS4060310SP		SCREW 3/32-56 L=2.5						2	
13		40070319		WASHER						2	
14		40066914		CYLINDER LINT SHIELD UPPER						1	
15		40066915		CYLINDER LINT SHIELD SPRING						1	
16		40066916		SLIDE PLATE						2	
17		40069883		SCREW						7	
18		WS0310002UZ		WASHER						1	
19		40068383		GASKET						1	
20		40066917		GASKET						1	
21		40066918		DOWEL PIN STRAIGHT						1	
22		40066919		ECCENTRIC PIN						1	
23		SS8110710SP		SCREW 11/64-40 L=6.5						2	
24		SS4080620TP		SCREW 1/8-44 L=6						4	
25		SS2080810SP		SCREW 1/8-44 L=7.5						8	
26		40068384		GASKET						1	
27		40066924		LOOPER SHAFT BUSHING FRONT						1	
28		40066925		LOOPER SHAFT BUSHING MIDDLE						1	
29		40067013		LOOPER THREAD EYELET						1	
30		SS5090610SP		SCREW 9/64-40 L=6						1	
31		SS8110710SP		SCREW 11/64-40 L=6.5						2	
32		40066927		PLUG SCREW						1	
33		40066928		O RING						1	
34		40066929		PLUG SCREW						1	
35		13170105		RUBBER RING						1	
36	R	13171004	SM0081001SD	DRAIN SCREW						1	1.00
37		40068386		GASKET						1	
38		40070350		CYLINDER SIDE COVER						1	
39		TA2050406R0		RUBBER PLUG						1	
40		SS6090440SP		SCREW 9/64-40 L=4.0						6	
41		CQ200000000		OIL WICK						.6	
42		40070071		CYLINDER LOOPER THREAD GUIDE WIRE						1	
43		40112857		OIL SEAL FOR 35850G						1	
44		40066969		LOOPER SHAFT BUSHING REAR						1	
45		SS7090710SP		SCREW 9/64-40 L=6.8						1	

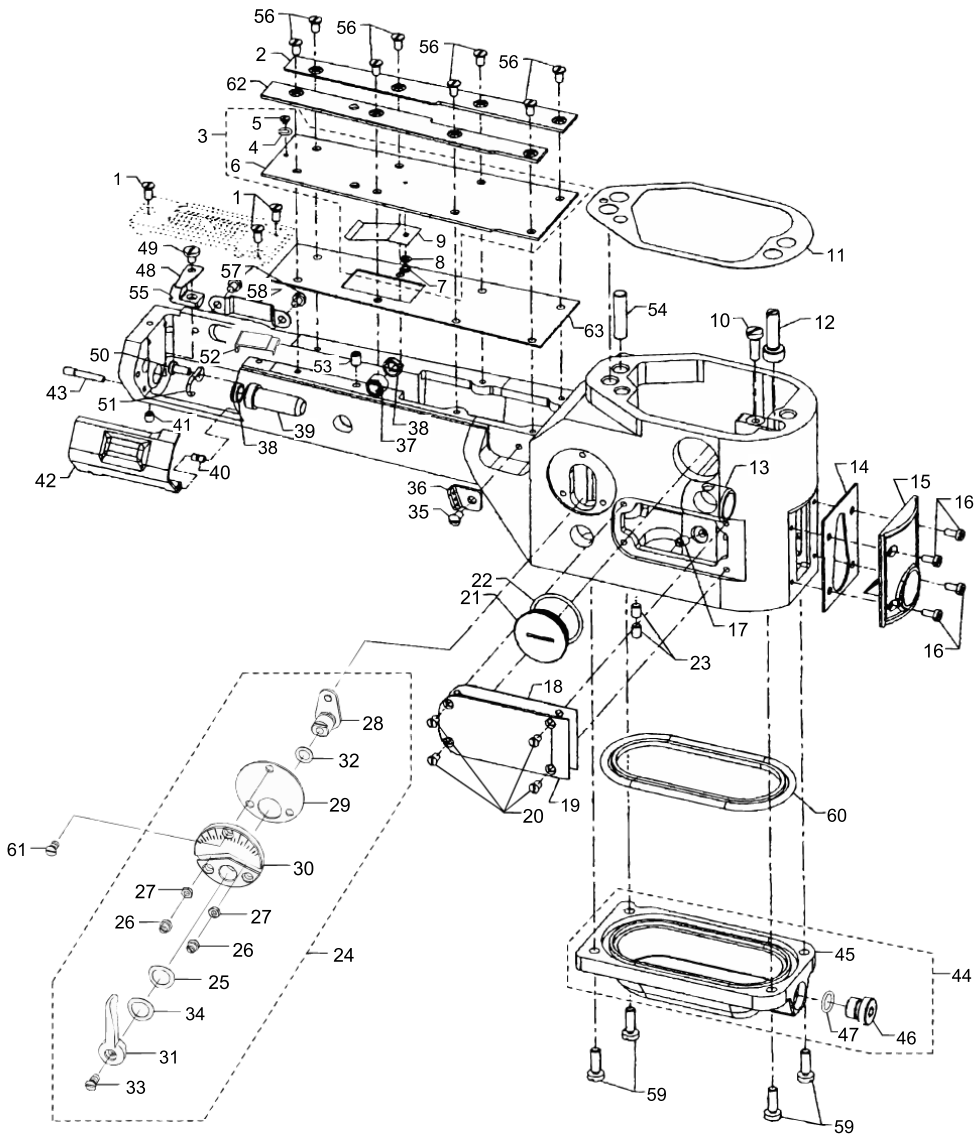
FRAME MISCELLANEOUS, BEARING & FOLDER COMPONENTS (FOR MS-3580SF/0SN)



FRAME MISCELLANEOUS, BEARING & FOLDER COMPONENTS (FOR MS-3580SF/0SN)

No.	Supply Code	Parts No.	Replacement	Parts name	Remarks	Choice	Step	Level	Cons	Qty	Rep. QTY
46		40082006		LOWER LINT SHIELD ASM.						1	
47		40066975		PLUG SCREW						1	

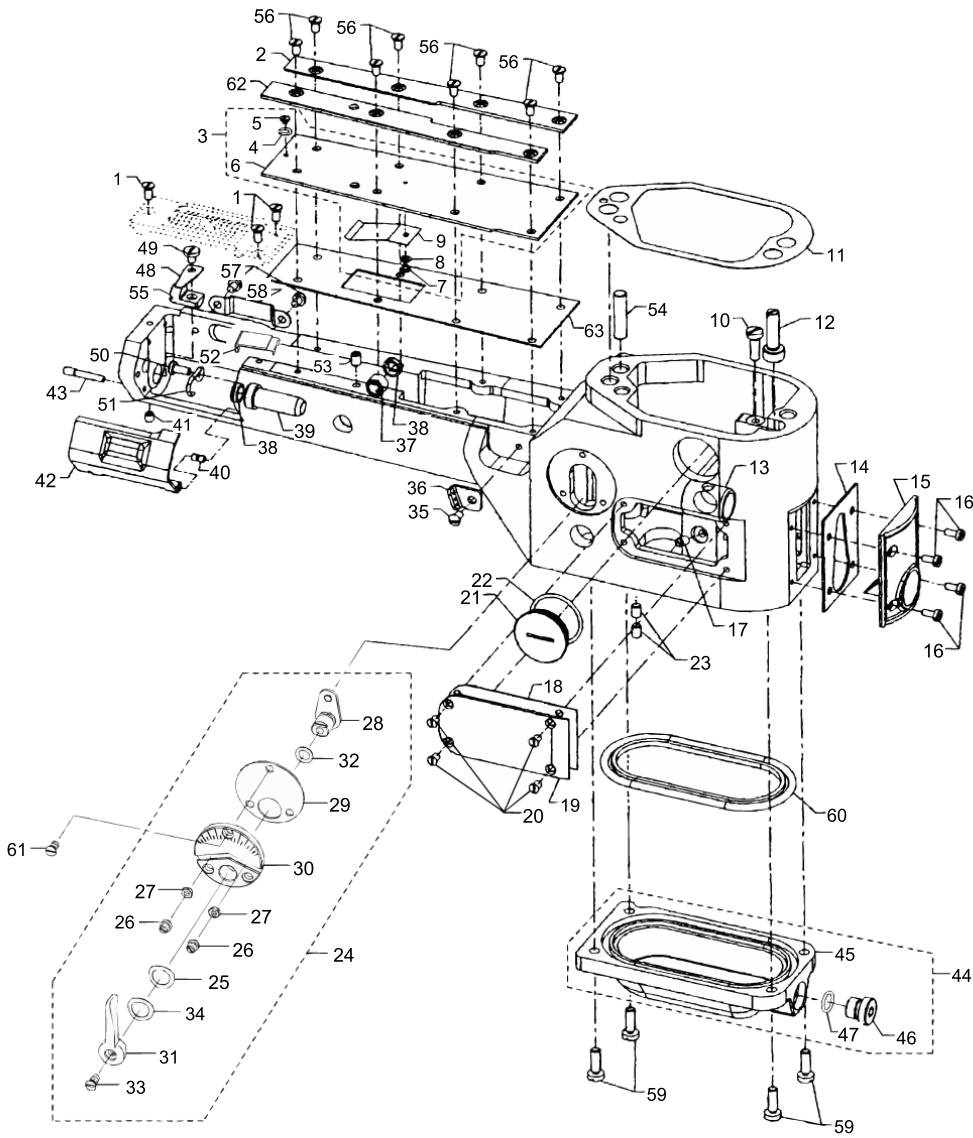
FRAME MISCELLANEOUS, BEARING & FOLDER COMPONENTS (FOR MS-3580SF/1SN)



FRAME MISCELLANEOUS, BEARING & FOLDER COMPONENTS (FOR MS-3580SF/1SN)

No.	Supply Code	Parts No.	Replacement	Parts name	Remarks	Choice	Step	Level	Cons	Qty	Rep. QTY
1		40069884		SCREW					☆	3	
2		40066998		SLIDE PLATE RIGHT						1	
3		40069920		CYLINDER COVER ASM.						1	
4		WS0310002UZ		WASHER				*		1	
5		40069883		SCREW				*		1	
6		40067001		CYLINDER COVER				*		1	
7		40069919		SCREW				*		1	
8		WP0330500MB		WASHER 3.3X6X0.5				*		1	
9		40069921		SHIELD SPRING				*		1	
10		SS7111410TP		SCREW11/64-40L=14						1	
11		40066917		GASKET						1	
12		40066919		ECCENTRIC PIN						1	
13		40067003		LOOPER SHAFT BUSHING FRONT						1	
14		40068384		GASKET						1	
15		40066920		CYLINDER COVER AND OIL GAUGE						1	
16		SS4080620TP		SCREW 1/8-44 L=6						4	
17		SS8110710SP		SCREW 11/64-40 L=6.5						1	
18		40068391		GASKET						1	
19		40070346		CYLINDER SIDE COVER						1	
20		SS6090440SP		SCREW 9/64-40 L=4.0						4	
21		40066929		PLUG SCREW						1	
22		40066928		O RING						1	
23		SS8110710SP		SCREW 11/64-40 L=6.5						2	
24		40074648		DIFF_FEED_CONTROL_ASSY						1	
25		40067008		SPRING WASHER				*		1	
26		40067009		STOP SCREW PIN				*		2	
27		40068392		NUT				*		2	
28		40074649		ADJUSTING_LEVER				*		1	
29		40074653		GASKET				*		1	
30		40074654		ADJUSTING PLATE				*		1	
31		40074655		OPERATING_LEVER				*		1	
32		RO061180100		RUBBER RING				*		1	
33		SM1040950TP		SCREW M4 L=9				*		1	
34		WP0951016SP		WASHER 9.53X15X1				*		1	
35		SS5090610SP		SCREW 9/64-40 L=6						1	
36		40067013		LOOPER THREAD EYELET						1	
37		40067014		BUSHING FOR FEED BAR ECCENTRIC STUD						1	
38		40112857		OIL SEAL FOR 35850G						2	
39		40066969		LOOPER SHAFT BUSHING REAR						1	
40		40066909		PIN						1	
41		SS8110710SP		SCREW 11/64-40 L=6.5						1	
42		40067050		LOOPER COVER						1	
43		40066912		SCREW PIN						1	
44		40067055		BOTTOM COVER						1	
45		40069994		OIL RESERVOIR				*		1	

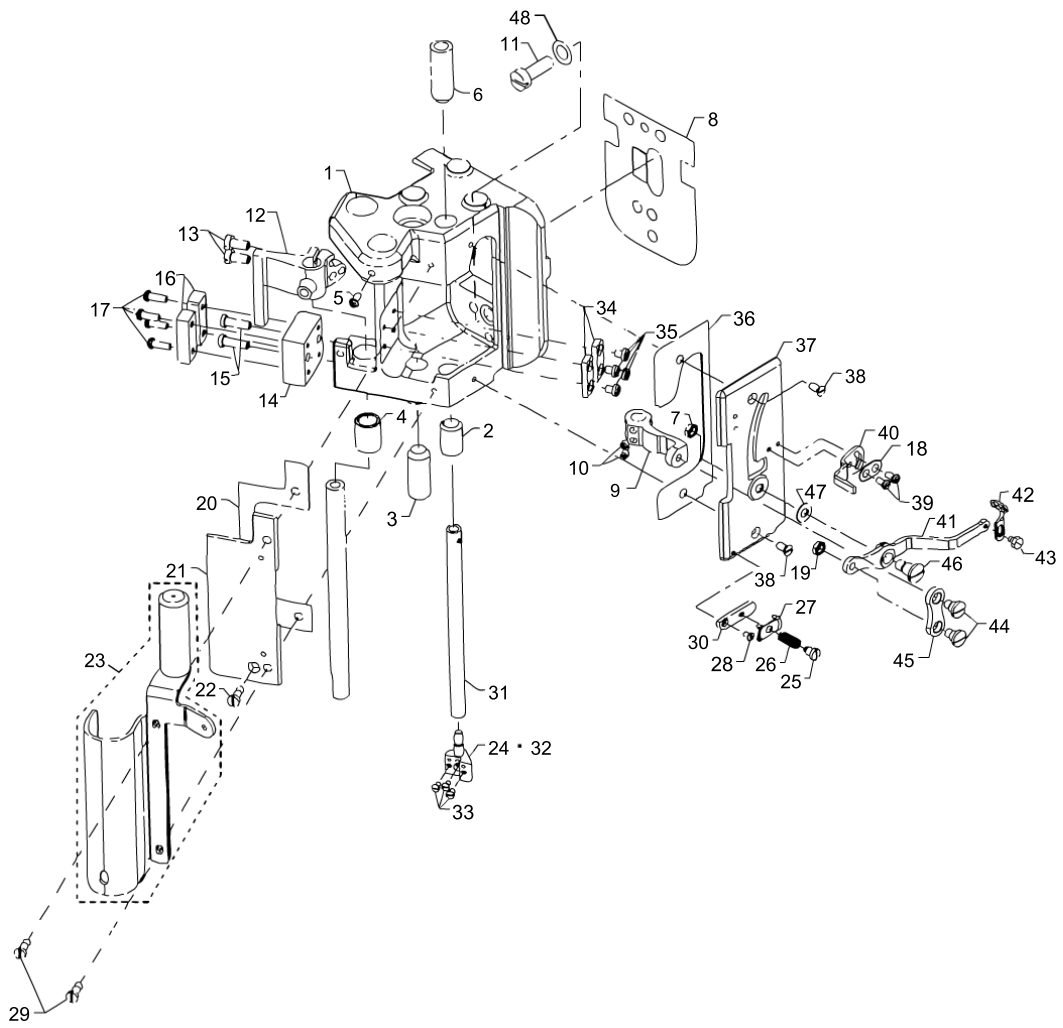
FRAME MISCELLANEOUS, BEARING & FOLDER COMPONENTS (FOR MS-3580SF/1SN)



FRAME MISCELLANEOUS, BEARING & FOLDER COMPONENTS (FOR MS-3580SF/1SN)

No.	Supply Code	Parts No.	Replacement	Parts name	Remarks	Choice	Step	Level	Cons	Qty	Rep. QTY
46		40068448		OIL RESERVOIR SCREW				*		1	
47		RO098190100		RUBBER RING				*		1	
48		40067051		CYLINDER COVER SPRING					☆	1	
49		SS7090510SP		SCREW 9/64-40 L=4.6						1	
50		SS7090710SP		SCREW 9/64-40 L=6.8						1	
51		40070071		CYLINDER LOOPER THREAD GUIDE WIRE						1	
52		40082003		LOWER LINT SHIELD ASM.						1	
53		SS8110710SP		SCREW 11/64-40 L=6.5						1	
54		40066918		DOWEL PIN STRAIGHT						1	
55		40068395		CYLINDER HINGED COVER SPRING SUPPORT STU						1	
56		40069882		SCREW						8	
57		SS7090520TP		SCREW 9/64-40 L=4.5						2	
58		40067054		CYLINDER GUARD FOR LOOPER						1	
59		SS7111410TP		SCREW 11/64-40 L=14						4	
60		40067059		GASKET						1	
61		SS2090810SP		SCREW 9/64-40 L=7.5						3	
62		40066996		SLIDE PLATE LEFT						1	
63		40068389		GASKET						1	

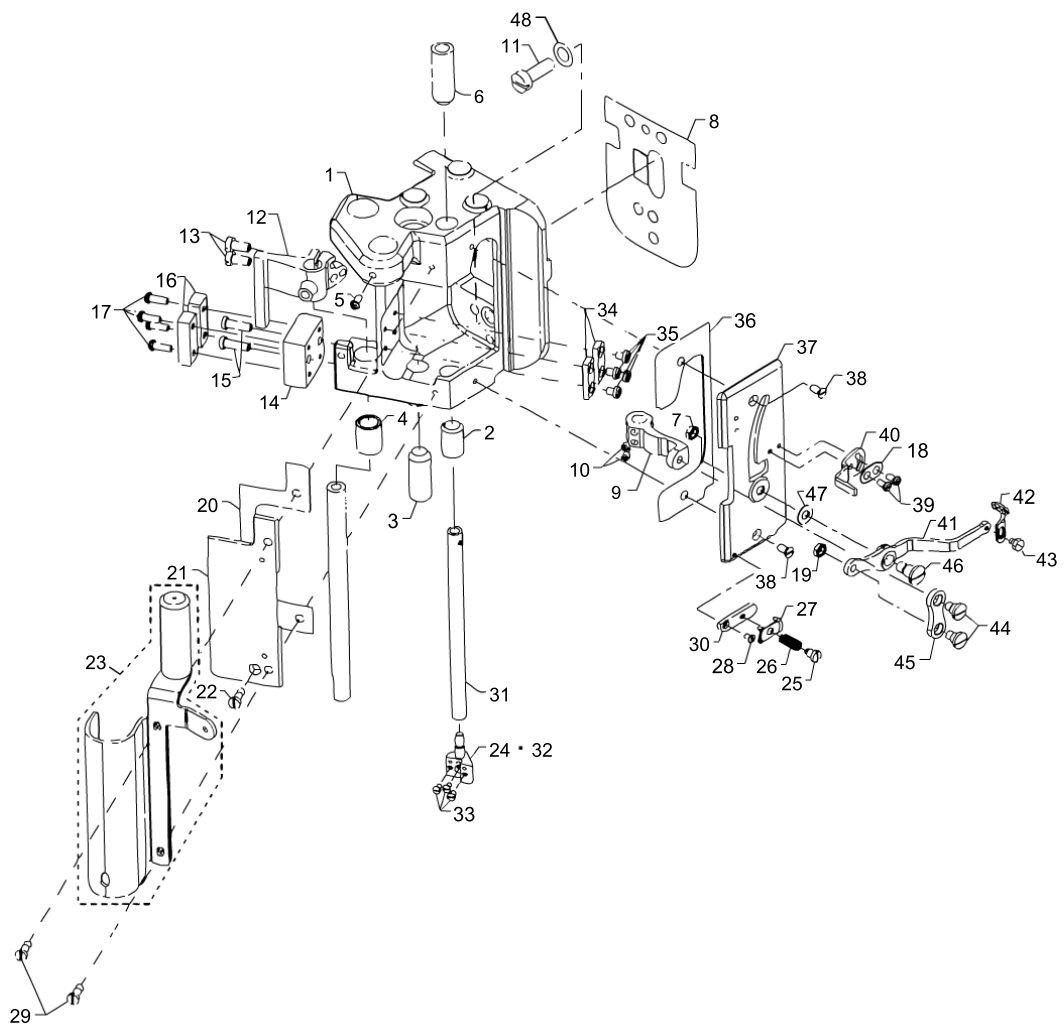
DETACHABLE HEAD COMPONENTS



DETACHABLE HEAD COMPONENTS

No.	Supply Code	Parts No.	Replacement	Parts name	Remarks	Choice	Step	Level	Cons	Qty	Rep. QTY
1		40070158		DETACHABLE HEAD MASKING						1	
2		40082711		NEEDLE BAR LOWER BUSHING						1	
3		40067073		PRESSER BAR BUSHING						1	
4		40067074		BUSHING						1	
5		40082705		SCREW 3/16-28 L=12						1	
6		40082712		NEEDLE BAR UPPER BUSHING						1	
7		NS6150350SP		NUT 15/64-28						2	
8		40067078		PLATE BAFFLE						1	
9		40068294		THRAED CONTROLLER ARM						1	
10		SS8110520TP		SCREW 11/64-40 L=4.5						2	
11		SM6062002TP		SCREW M6 L=20						1	
12		40068293		GUIDE PLATE						1	
13		SS6121010SP		SCREW 3/16-28 L=10						2	
14		40068397		BLOCK SUPPORT REAR GUIDE						1	
15		SS7121410TP		SCREW 3/16-28 L=14						2	
16		40068398		GUIDE PLATE						2	
17		SS4091015SP		SCREW 9/64-40 L=10						4	
18		40078404		WASHER PLATE						1	
19		NS6110310SP		NUT 11/64-40						1	
20		40068399		COVER HEAD LEFT GASKET						1	
21		40070141		SIDE COVER						1	
22		SS1090930SP		SCREW 9/64-40 L=8.6						1	
23		40067082		NEEDLE ROD ROLL- ER COVER ASM.						1	
24		40067091		NEEDLE HEAD (7.2MM GAUGE)	FOR MS-3- 580 SG/△△N					1	
25		SD0380551SL		HINGE SCREW D=3.80 H=5.5						1	
26		B1132521000		THREAD PRESSER PLATE SPRING						1	
27		10129104		THREAD PRESSER PLATE						1	
28		SS6090610SP		SCREW 9/64-40 L=5.5						1	
29		SS7091110TP		SCREW 9/64-40 L=10.5						2	
30		40068409		NEEDLE THREAD NIPPER BASE						1	
31		40068401		NEEDLE BAR						1	
32		40067090		NEEDLE HEAD (6.4MM GAUGE)	FOR MS-3- 580 SF/△△N					1	
33		SS6080410SP		SCREW 1/8-44 L=4					☆	3	
34		40068402		PLATE GUIDE PRESSER BAR						2	
35		SS6090440SP		SCREW 9/64-40 L=4.0						4	
36		40068403		COVER HEAD FRONT GASKET						1	
37		40069768		FRONT HEAD COVER						1	
38		SS1090930SP		SCREW 9/64-40 L=8.6						2	
39		SS4080620TP		SCREW 1/8-44 L=6						2	
40		40068405		NEEDLE THREAD H- OLDER ADJUSTING PLATE						1	
41		40067092		NEEDLE THREAD C- ONTROL LEVER						1	
42		40067093		NEEDLE THREAD C- ONTROL LEVER EYELET						1	
43		40082960		SCREW 1/8-44 L=4.3						1	
44		40068656		SHOULDER SCREW						2	

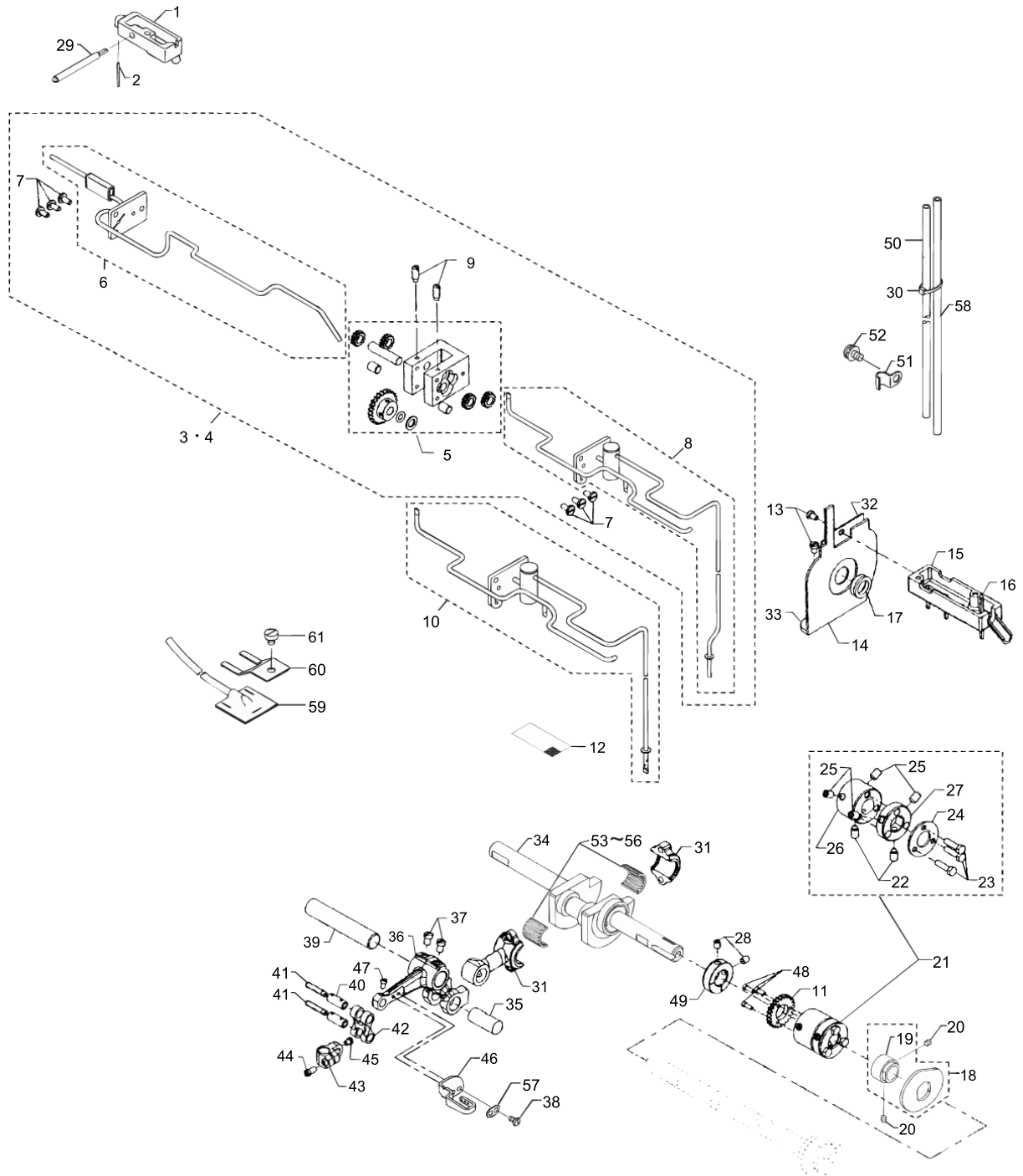
DETACHABLE HEAD COMPONENTS



DETACHABLE HEAD COMPONENTS

No.	Supply Code	Parts No.	Replacement	Parts name	Remarks	Choice	Step	Level	Cons	Qty	Rep. QTY
45		40067094		CONTROL LEVER C- ONNECTION LINK						1	
46		40069800		SHOULDER SCREW						1	
47		WP0740516SP		WASHER 7.4X11.8X0.5						2	
48		WP0651056SD		WASHER 6.5X11X1						1	

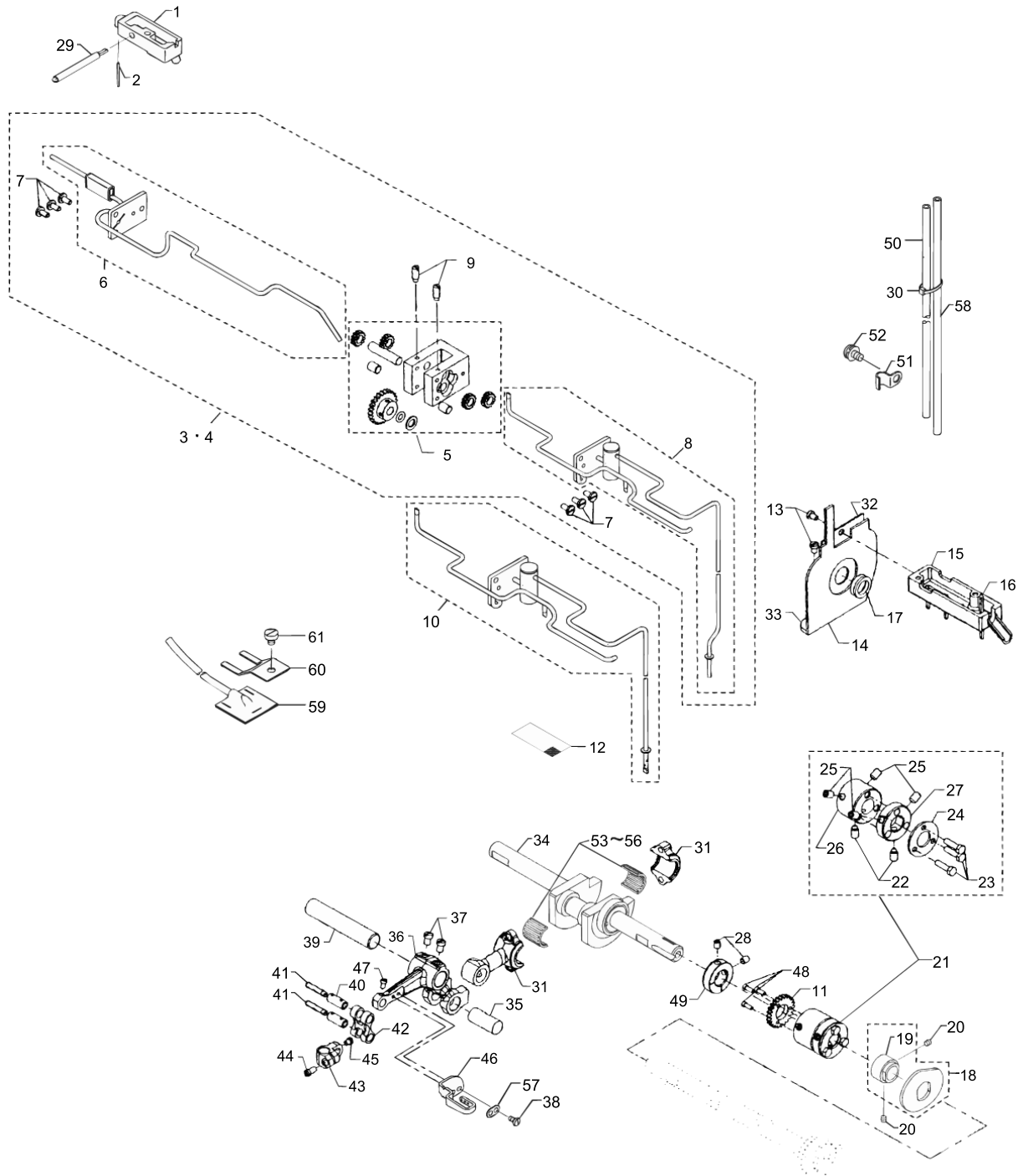
OIL LUBRICATION & NEEDLE DRIVING COMPONENTS



OIL LUBRICATION & NEEDLE DRIVING COMPONENTS

No.	Supply Code	Parts No.	Replacement	Parts name	Remarks	Choice	Step	Level	Cons	Qty	Rep. QTY
1		40068410		OILRESERVOIRBACK						1	
2		CQ200000000		OIL WICK						.11	
3		40067100		OIL PUMP ASSEMBLY	WITH DIFF- ERENTIAL FEED					1	
4		40067101		OIL PUMP ASSEMBLY	WITHOUT DIFFEREN- TIAL FEED					1	
5		40068413		OIL PUMP ASSEMBLY				*		1	
6		40067102		OIL PUMP ASSEMB- LY COVER REAR				*		1	
7		SS6090630TP		SCREW 9/64-40 L=6				*		6	
8		40068419		OIL PUMP HOUSING COVER FRONT ASM.	WITH DIFF- ERENTIAL FEED			*		1	
9		40068420		VENT SCREW FOR OIL PUMP				*		2	
10		40067109		OIL PUMP HOUSING COVER FRONT ASM.	WITHOUT DIFFEREN- TIAL FEED					1	
11		40068426		OIL PUMP DRIVING GEAR						1	
12		40098071		FILTER						1	
13		SM4040855SP		SCREW						2	
14		40067118		GASKET						1	
15		40067121		OIL RESERVOIR FRONT						1	
16		CQ200000000		OIL WICK						.4	
17		40112858		OIL SEAL RING						1	
18		40068421		LOWER THREAD CAM						1	
19		40067124		HUB BLANK				*		1	
20		SS8110410TP		SCREW 11/64-40 L=3.5						2	
21		40068422		MAIN SHAFT COUPLING						1	
22		40068601		SPOT SCREW				*		2	
23		40070353		SCREW				*		3	
24		40068424		WASHER PLATE				*		1	
25		SM8050812TP		SCREW M5X8				*		4	
26		40068423		SHAFT COUPLING A				*		1	
27		40068425		SHAFT COUPLING B				*		1	
28		SM8050812TP		SCREW M5X8						2	
29		40068921		OIL RESERVOIR OU- TLET TUBE ASM.						1	
30		EA9500B0000		CLIP CV-70S						4	
31		40068295		NEEDLE LEVER CONNECTION ROD						1	
32		40067119		TAKE-UP SHIELD						1	
33		40067120		FELT						1	
34		40067125		CRANKSHAFT						1	
35		40081693		NEEDLE LEVER CO- NNECTION ROD ASM.						1	
36		40068312		NEEDLE LEVER						1	
37		SS6110650TP		SCREW 11/64-40 L=5.5						2	
38		SS4080620TP		SCREW 1/8-44 L=6						2	
39		40067132		NEEDLE LEVER SHAFT						1	
40		40067133		LINK PIN						2	
41		CQ303000000		OIL WICK						.45	
42		40068311		NEEDLE LEVER LINK						1	

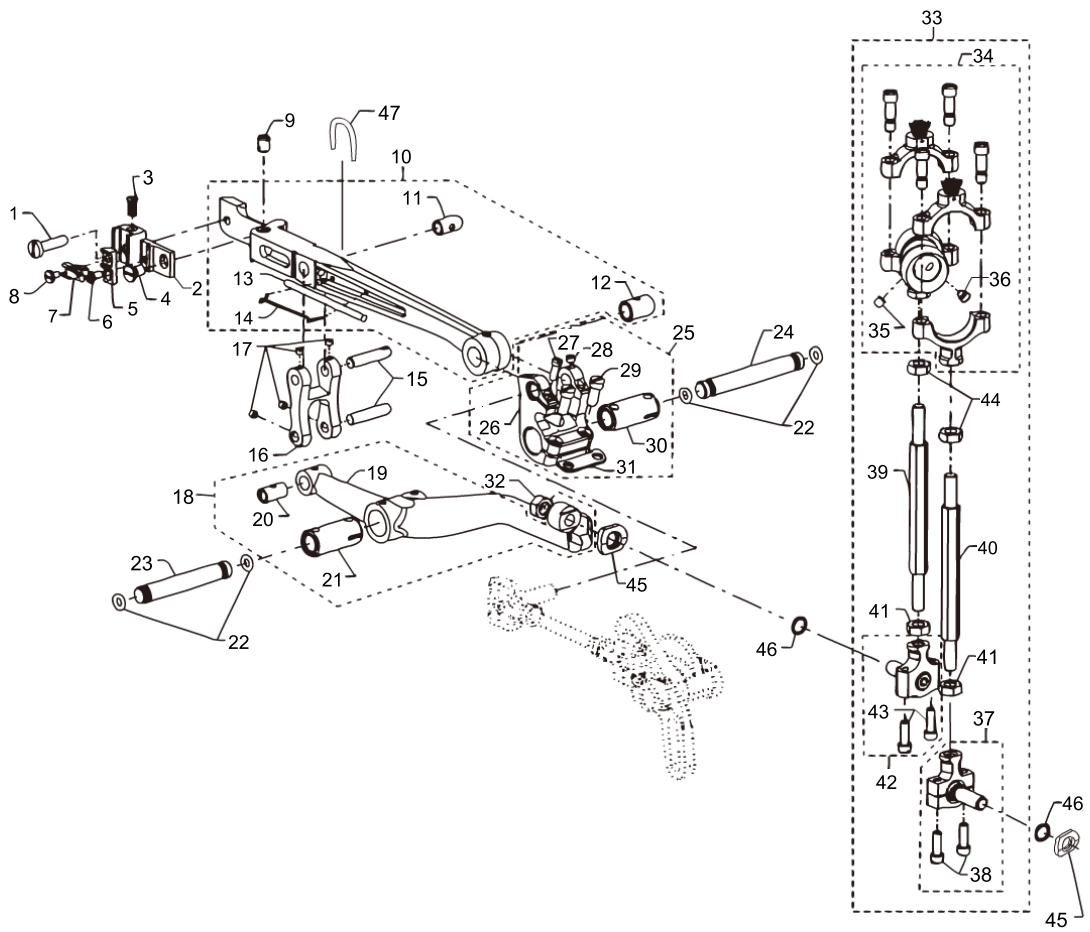
OIL LUBRICATION & NEEDLE DRIVING COMPONENTS



OIL LUBRICATION & NEEDLE DRIVING COMPONENTS

No.	Supply Code	Parts No.	Replacement	Parts name	Remarks	Choice	Step	Level	Cons	Qty	Rep. QTY
43		40068377		NEEDLE BAR CONNECTION						1	
44		SS7111120TP		SCREW					☆	1	
45		SS6090510TP		SCREW 9/64-40 L=5.0						1	
46		40068429		NEEDLE LEVER THREAD EYELET						1	
47		SS6080720SP		SCREW						1	
48		SM6030850TP		SCREW M3 L=8						3	
49		40068427		COLLAR						1	
50		40072351		OIL RETURN TUBE						1	
51		B3538112000		OIL RETURN TUBE HOLDER						1	
52		SL4040881SC		SCREW M4 L=8						1	
53		40075304		NEEDLE BEARING A	SELECTIVE PARTS					1	
54		40075305		NEEDLE BEARING B	SELECTIVE PARTS					1	
55		40075306		NEEDLE BEARING C	SELECTIVE PARTS					1	
56		40075307		NEEDLE BEARING D	SELECTIVE PARTS					1	
57		40078404		WASHER PLATE						1	
58		BT0500300EA		OIL TUBE						.19	
59		40082824		FELT ASM.						1	
60		40082833		FELT PRESSER						1	
61		SM6050660TP		SCREW						1	

FEED MECHANISM COMPONENTS (FOR MS-3580SF/0SN)

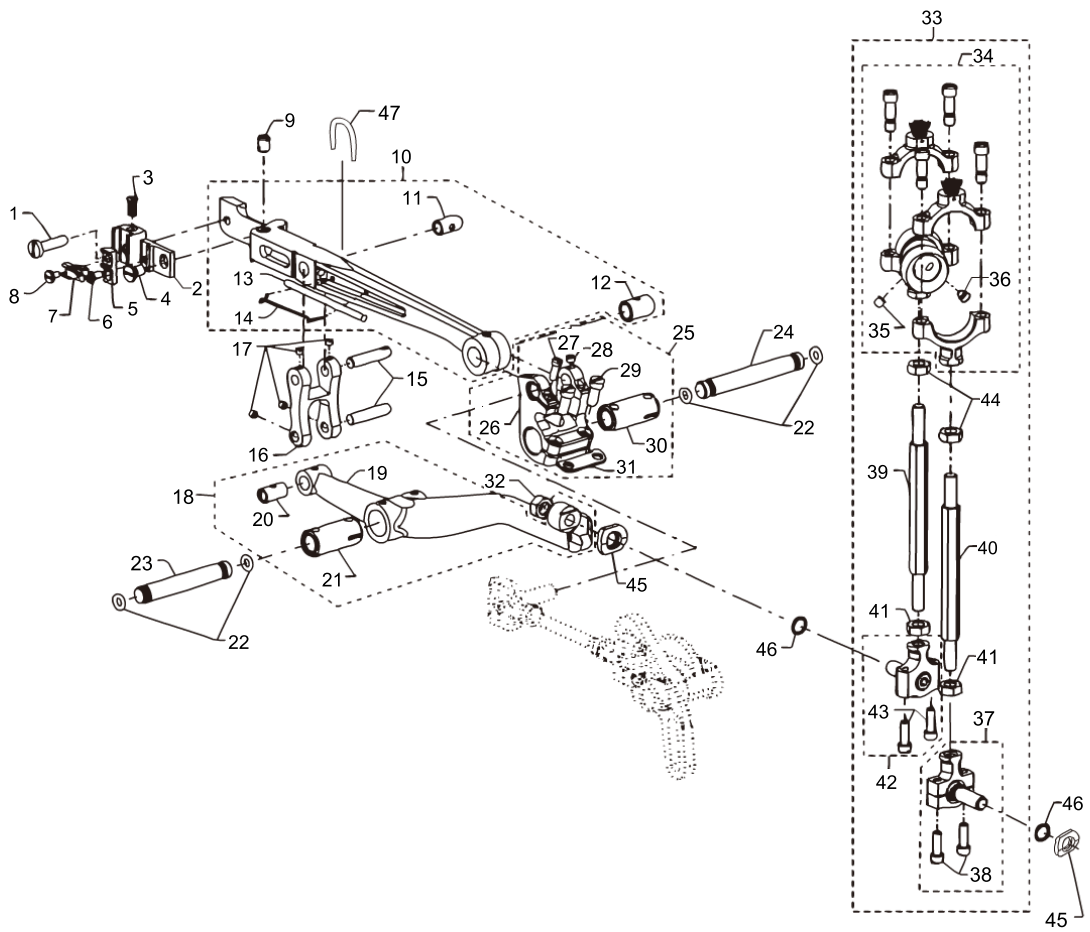


FEED MECHANISM COMPONENTS (FOR MS-3580SF/0SN)

No.	Supply Code	Parts No.	Replacement	Parts name	Remarks	Choice	Step	Level	Cons	Qty	Rep. QTY
1		SS6111620SP		SCREW 11/64-40 L=16.0						1	
2		40067134		FEED DOG HOLDER						1	
3		SS2090710TP		SCREW 9/64-40 L=7.2						1	
4		SS6110610TP		SCREW 11/64-40 L=6					☆	1	
5		40068430		NEEDLE GUARD HOLDER						1	
6		40068794		SCREW						1	
7		40068296		NEEDLE GUARD					☆	1	
8		40068794		SCREW					☆	1	
9		SM8061010TP		SCREW						1	
10		40068431		FEED BAR ASM.						1	
11	R	40067137	40068431	BUSHING					*	1	1.00
12	R	40067138	40068431	BUSHING					*	1	1.00
13		40068432		OIL FELT					*	2	
14		40067139		WIRE SPRING CLIP					*	1	
15		40067140		LINK PIN						2	
16		40067141		LINK						1	
17		SS8080310TP		SCREW 1/8-44 L=2.8						4	
18		40069753		FEED LIFTER LEVER ASM.						1	
19	R	40068433	40069753	FEED LIFTER LEVER					*	1	1.00
20	R	40067142	40069753	BUSHING					*	1	1.00
21		40069453		FEED ROCKER BUSHING					*	1	
22		40068434		O RING						4	
23		40067144		FEED LIFT LEVER SHAFT						1	
24		40067145		FEED ROCKER SHAFT						1	
25		40068435		FEED ROCKER						1	
26		40069155		FEED ROCKER					*	1	
27		40102214		SCREW					*	1	
28		SS8080310TP		SCREW 1/8-44 L=2.8					*	1	
29		SS7111110TP		SCREW 11/64-40 L=10.5					*	2	
30		40069453		FEED ROCKER BUSHING					*	1	
31		40067147		FEED ROCKER BUSHING KEY					*	1	
32		NS6660430SP		NUT 1/4-40						1	
33		40067148		CONNECTING ROD ASSEMBLY						1	
34		40068436		AVOID ECCENTRIC					*	4	
35		SS8110432SP		SCREW 11/64-40 L=4.1					*	1	
36		40069886		SCREW					*	1	
37		40068444		BALL JOINT					*	1	
38		40069771		SCREW 9/64-40 L=12					*	2	
39		40068438		FEED LIFT ECCENTRIC CONNECTING ROD					*	1	
40	R	40068439	40067148	COMBINATION ROD		A			*	1	1.00
40	R	40068439	40068546	COMBINATION ROD		B			*	1	1.00
41		NM6050001SP		NUT M5					*	2	

送り関係(-
差動なし)/-
FEED(No d-
ifferencial)
ルーハ°-駆動-
関係(差動-
あり)/LOO-
PER DRIVI-
NG(differencial)

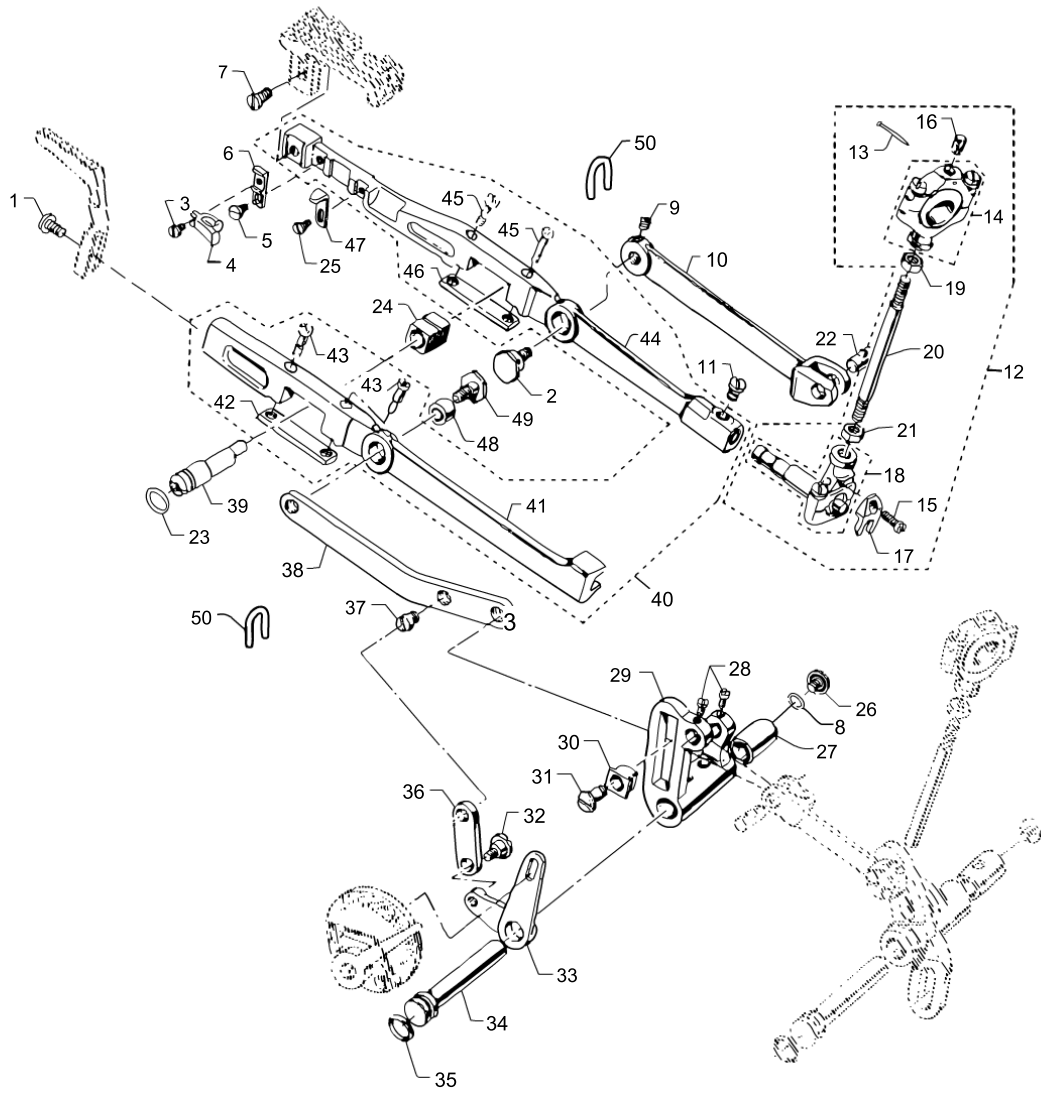
FEED MECHANISM COMPONENTS (FOR MS-3580SF/0SN)



FEED MECHANISM COMPONENTS (FOR MS-3580SF/0SN)

No.	Supply Code	Parts No.	Replacement	Parts name	Remarks	Choice	Step	Level	Cons	Qty	Rep. QTY
42	R	40068441	40067148	BALL JOINT ASM.				*		1	1.00
43		40069771		SCREW 9/64-40 L=12				*		2	
44		40069918		NUT M6 LEFT				*		2	
45		40068449		BALL SCREW BRACKET						2	
46		40067154		SHIM						4	
47		CQ20000000		OIL WICK						.2	

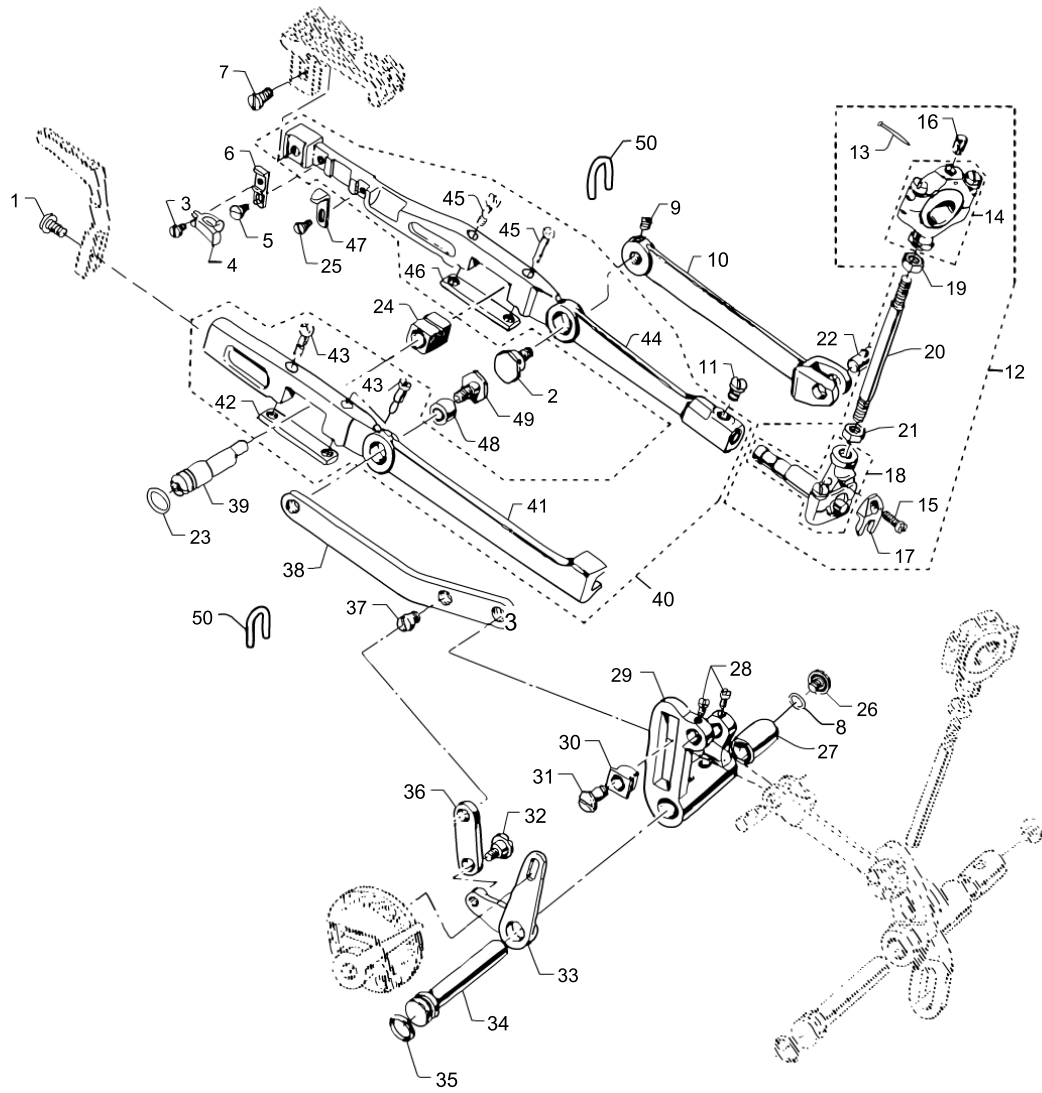
FEED MECHANISM COMPONENTS (FOR MS-3580SF/1SN)



FEED MECHANISM COMPONENTS (FOR MS-3580SF/1SN)

No.	Supply Code	Parts No.	Replacement	Parts name	Remarks	Choice	Step	Level	Cons	Qty	Rep. QTY
1		SS6111010TP		SCREW 11/64-40 L=9.5						1	
2		40067174		MAIN FEED BAR EC-CENTRIC DRIVING STUD						1	
3		40068794		SCREW					☆	1	
4		40068296		NEEDLE GUARD					☆	1	
5		40068794		SCREW						1	
6		40068430		NEEDLE GUARD HOLDER						1	
7		SS6111010TP		SCREW 11/64-40 L=9.5						1	
8		40076295		RUBBER RING						1	
9		SM80404A2TP		SCREW M4 L=4						1	
10		40068451		MAIN FEED BAR DRIVING LINK						1	
11		SS6110710TP		SCREW 11/64-40 L=6.5						1	
12		40067156		FEED LIFT ECCENTRIC ASSEMBLY FOR STYLES						1	
13		11856101		NEEDLE COOLER PIN				*		1	
14		40068452		FEED LIFT ECCENTRIC ASSEMBLY BALL JOINT				*		1	
15		SS6080810SP		SCREW 1/8-44 L=8.0				*		1	
16		40067149		FELT				*		1	
17		40068461		BALL FORK				*		1	
18		40068456		BALL JOINT COMPLETE				*		1	
19		40069918		NUT M6 LEFT				*		1	
20	R	40068455	40067156	CONNECTING ROD				*		1	1.00
21		NM6050001SP		NUT M5				*		1	
22		40067155		LINK PIN						1	
23		RO061180100		RUBBER RING						1	
24		40068470		FEED BAR SLIDE BLOCK						1	
25		40069085		SCREW					☆	1	
26		40070073		SEALING SCREW						1	
27		40067161		BUSHING FOR FEED ROCKER SHAFT						1	
28		SS4080515SP		SCREW 1/8-44 L=5						2	
29		40068463		FEED ROCKER						1	
30		40067166		DIFFERENTIAL FEED DRIVING LINK SLIDE BLO						1	
31		40067167		DIFFERENTIAL FEED BAR DRIVING LINK STUD						1	
32		40070192		SCREW						1	
33		40068465		DIFFERENTIAL FEED ADJUSTING LEVER						1	
34		40068466		FEED ROCKERSHAFT						1	
35		40076293		RUBBER RING						1	
36		40067168		DIFFERENTIAL FEED ADJUSTING LEVER LINK						1	
37		40070191		SCREW						1	
38		40067169		DIFFERENTIAL FEED BAR DRIVING LINK						1	
39		40068467		FEED BAR ECCENTRIC STUD						1	
40		40069015		FEED ROCKER ASM.						1	
41	R	40068468	40069015	DIFFERENTIAL FEED BAR				*		1	1.00
42	R	40068663	40069015	FEED BAR PLATE		A	MS-3580	*		1	1.00
42	R	40068663	40074662	FEED BAR PLATE		B	MF-3620	*		1	1.00

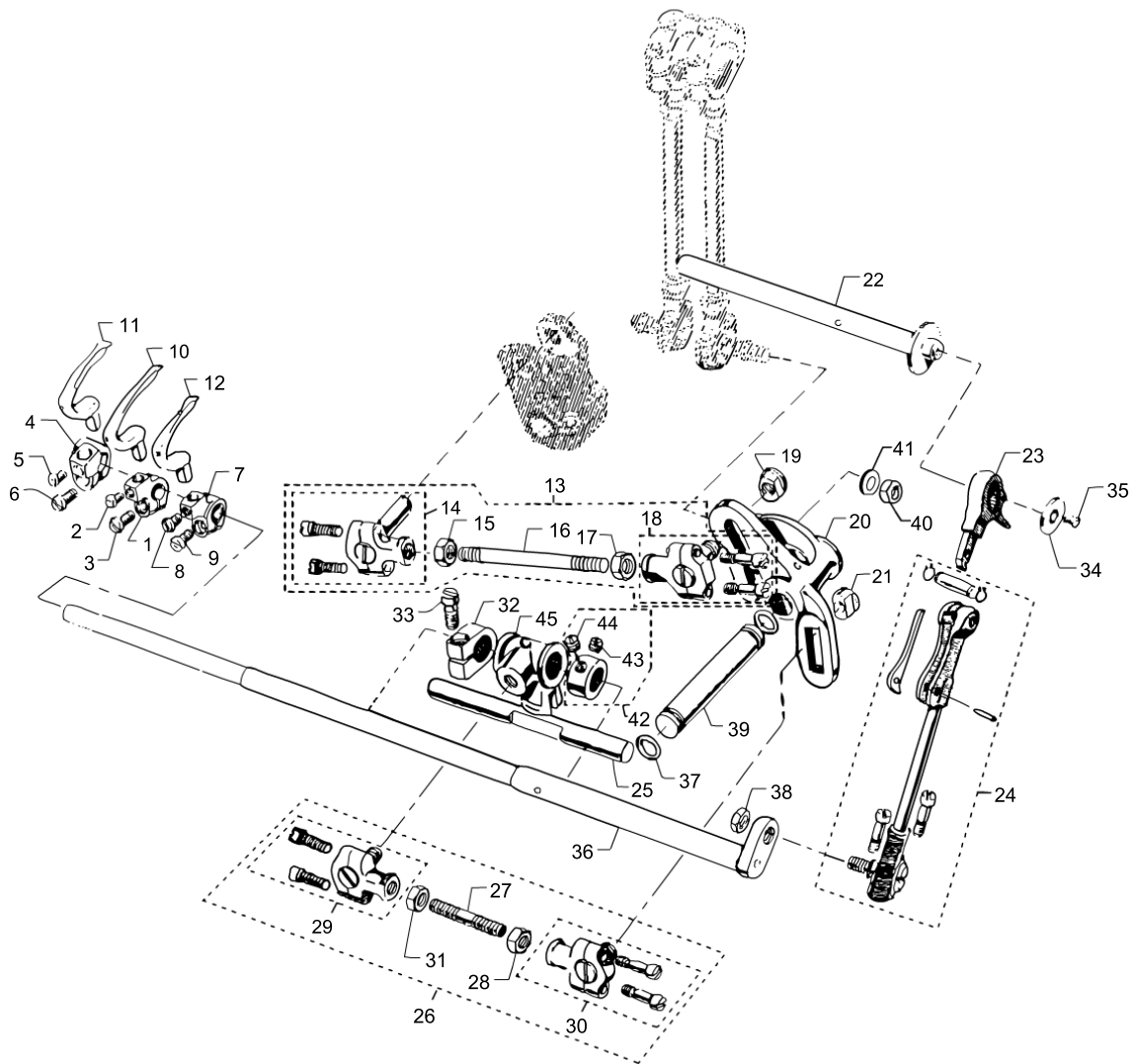
FEED MECHANISM COMPONENTS (FOR MS-3580SF/1SN)



FEED MECHANISM COMPONENTS (FOR MS-3580SF/1SN)

No.	Supply Code	Parts No.	Replacement	Parts name	Remarks	Choice	Step	Level	Cons	Qty	Rep. QTY
43		40068664		SCREW				*		2	
44	R	40068469	40069015	MAIN FEED BAR				*		1	1.00
45		40068664		SCREW				*		2	
46	R	40068663	40069015	FEED BAR PLATE		A	MS-3580	*		1	1.00
46	R	40068663	40074662	FEED BAR PLATE		B	MF-3620	*		1	1.00
47		40068297		MAIN FEED DOG SUPPORT					☆	1	
48		40067172		BUSHING						1	
49		40067173		DIFFERENTIAL FEED BAR DRIVING						1	
50		CQ20000000		OIL WICK						.12	

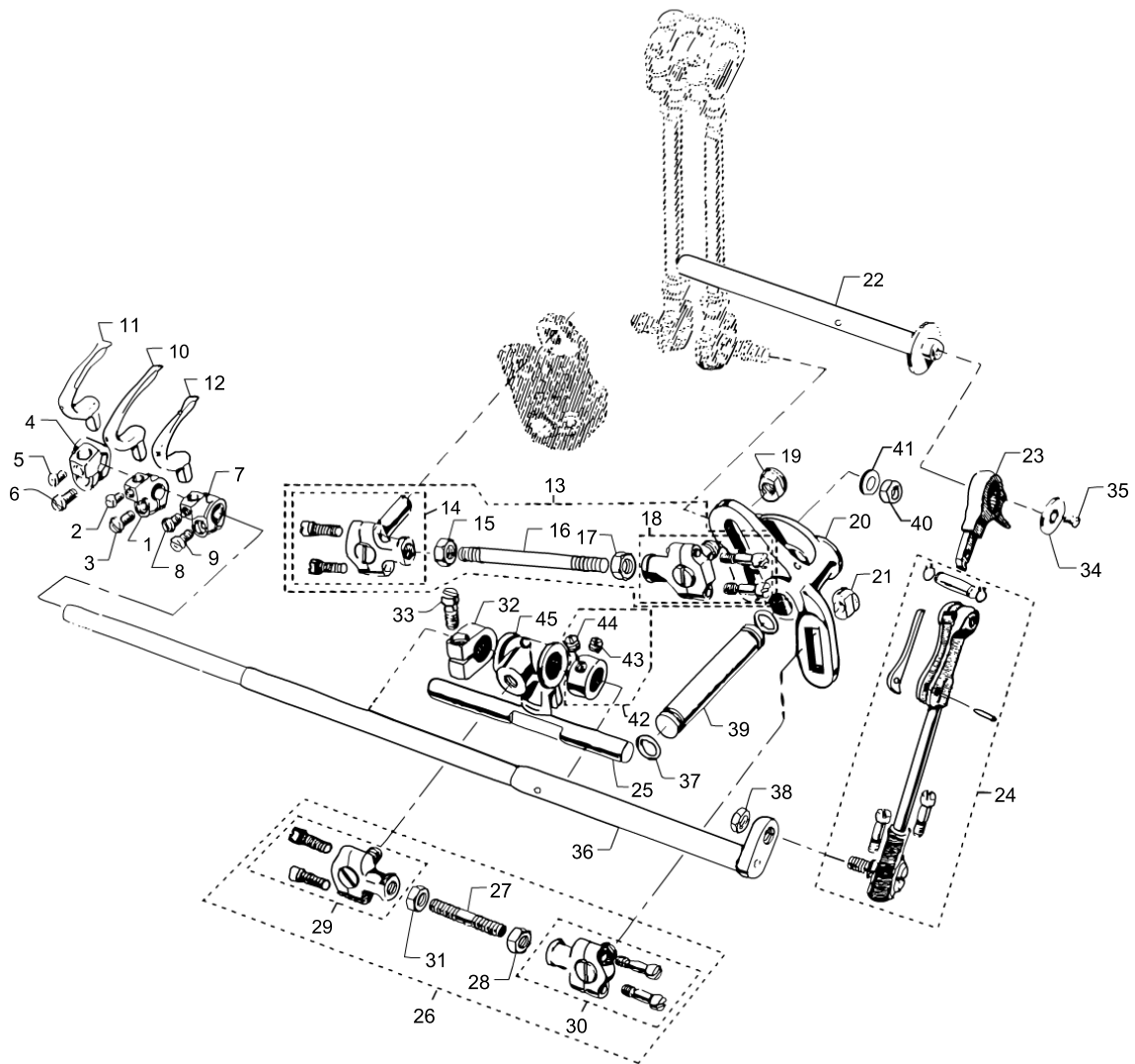
LOOPER DRIVING COMPONENTS (FOR MS-3580SF/0SN)



LOOPER DRIVING COMPONENTS (FOR MS-3580SF/0SN)

No.	Supply Code	Parts No.	Replacement	Parts name	Remarks	Choice	Step	Level	Cons	Qty	Rep. QTY
1		40068471		LOOPER HOLDER MIDDLE						1	
2	R	40075055	SS6090440SP	SCREW						1	1.00
3		40068817		SCREW					☆	1	
4		40068472		LOOPER HOLDER LEFT						1	
5	R	40075055	SS6090440SP	SCREW						1	1.00
6		40068817		SCREW					☆	1	
7		40068473		LOOPER HOLDER RIGHT						1	
8	R	40075055	SS6090440SP	SCREW					☆	1	1.00
9		40068817		SCREW						1	
10		40068298		LOOPER MIDDLE					☆	1	
11		40068299		LOOPER LEFT					☆	1	
12		40068300		LOOPER RIGHT					☆	1	
13		40067176		FEED ROCKER CON- NECTING ROD ASSEMBLY						1	
14		40068474		BALL JOINT					*	1	
15		NM6050001SP		NUT M5					*	1	
16	R	40067179	40067176	CONNECTING ROD					*	1	1.00
17	R	40069128	40068828	NUT M5X0.8 LEFT					*	1	1.00
18	R	40068522	40067176	BALL JOINT					*	1	1.00
19		40067184		NUT						1	
20		40068525		FEED ROCKER AND LOOPER AVOID LEVER						1	
21		40067180		NUT						1	
22		40067183		SHAFT BLANK						1	
23		40068816		LOOPER DRIVE CO- NNECTION ASM.						1	
24		40067181		LOOPER DRIVE CO- NNECTING ROD ASM.						1	
25		40068536		CROSS HEAD GUIDE SHAFT						1	
26		40068537		CONNECTING ROD ASSEMBLY						1	
27		40068539		CONNECTING ROD					*	1	
28	R	40069128	40068828	NUT M5X0.8 LEFT					*	1	1.00
29		40068538		BALL JOINT					*	1	
30		40068540		BALL JOINT					*	1	
31		NM6050001SP		NUT M5					*	1	
32		40074663		THRUST_COLLAR						1	
33		SM6051202TP		SCREW M5X0.8 L=12						1	
34		40068531		MAIN SHAFT WASHER						1	
35		SS1110840SP		SCREW 11/64-40 L=8						1	
36		40068532		FEED ROCKER AND LOOPER LEVER SHAFT						1	
37		RO061180100		RUBBER RING						2	
38		NS6660430SP		NUT 1/4-40						1	
39		40068534		LOOPER ROCKER SHAFT						1	
40		NS6660430SP		NUT 1/4-40						1	
41		WP0700616SP		WASHER 7X11.6X0.6						1	
42		40067196		LOOPER SHAFT COLLAR						1	
43		SM8040642TP		SCREW					*	1	
44		SM80404A2TP		SCREW M4 L=4					*	1	

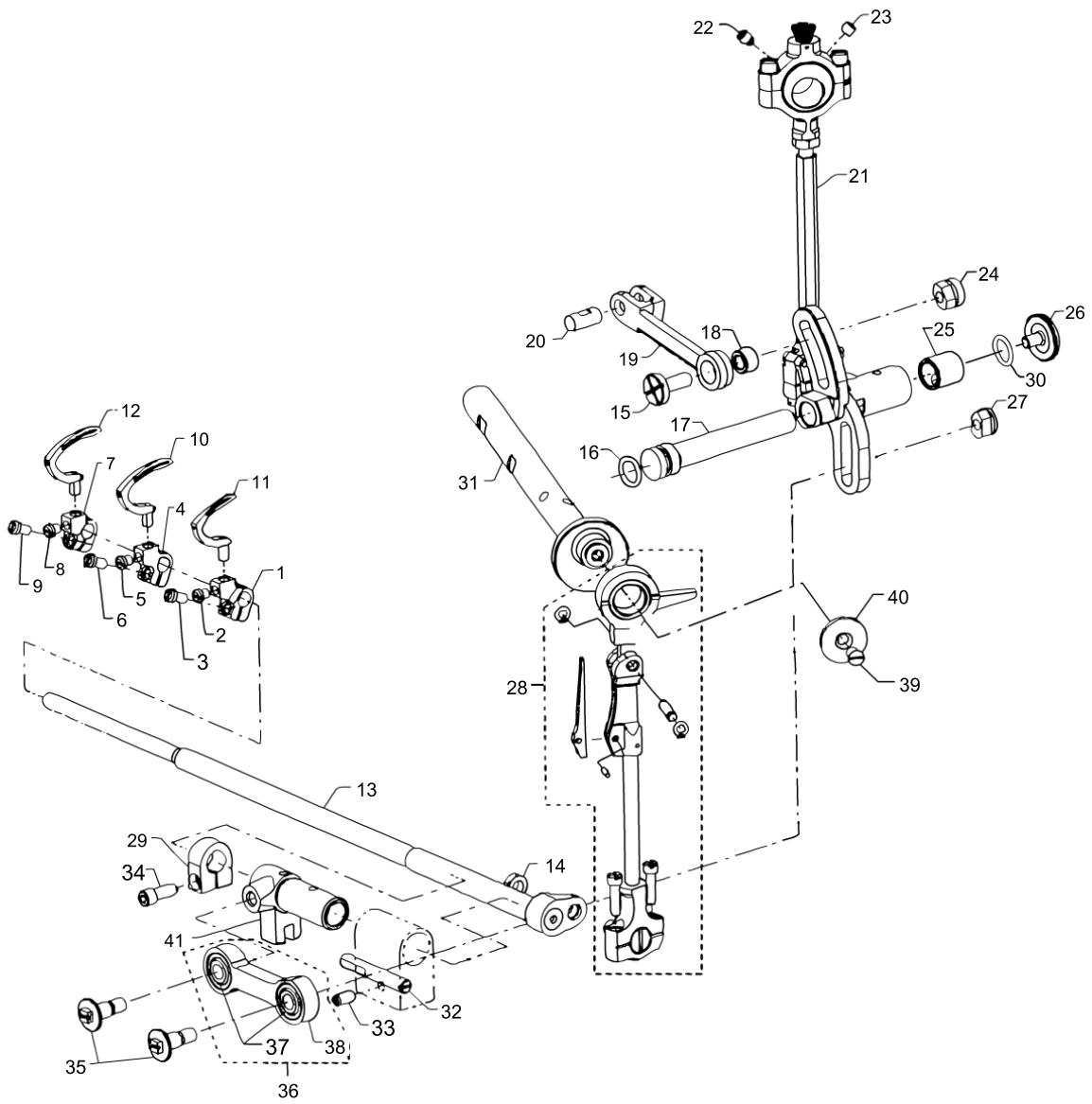
LOOPER DRIVING COMPONENTS (FOR MS-3580SF/0SN)



LOOPER DRIVING COMPONENTS (FOR MS-3580SF/0SN)

No.	Supply Code	Parts No.	Replacement	Parts name	Remarks	Choice	Step	Level	Cons	Qty	Rep. QTY
45		40068535		LOOPER ROCKER S-HAFT CROSS HEAD						1	

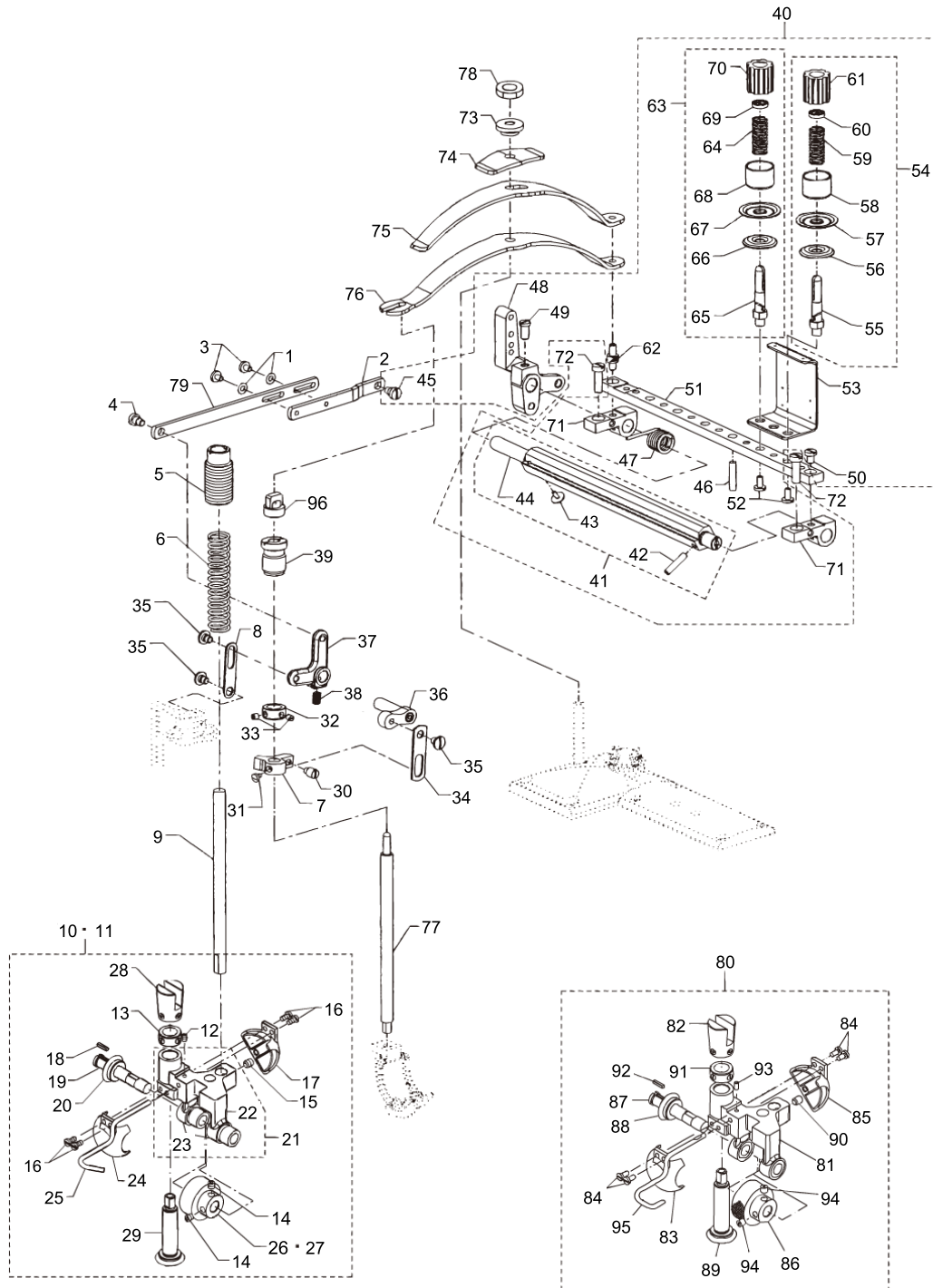
LOOPER DRIVING COMPONENTS (FOR MS-3580SF/1SN)



LOOPER DRIVING COMPONENTS (FOR MS-3580SF/1SN)

No.	Supply Code	Parts No.	Replacement	Parts name	Remarks	Choice	Step	Level	Cons	Qty	Rep. QTY
1		40068473		LOOPER HOLDER RIGHT						1	
2		SS6090510TP		SCREW 9/64-40 L=5.0						1	
3		40068817		SCREW					☆	1	
4		40068471		LOOPER HOLDER MIDDLE						1	
5		SS6090510TP		SCREW 9/64-40 L=5.0						1	
6		40068817		SCREW					☆	1	
7		40068472		LOOPER HOLDER LEFT						1	
8		SS6090510TP		SCREW 9/64-40 L=5.0						1	
9		40068817		SCREW					☆	1	
10		40068298		LOOPER MIDDLE					☆	1	
11		40068300		LOOPER RIGHT					☆	1	
12		40068299		LOOPER LEFT					☆	1	
13		40068543		LOOPER ROCKER SHAFT						1	
14		NS6660430SP		NUT 1/4-40						1	
15		40067200		FEED ROCKER DRIVING LINK SCREW						1	
16		40076293		RUBBER RING						1	
17		40068466		FEEDROCKER SHAFT						1	
18		40067172		BUSHING						1	
19		40068545		FEED ROCKER DRIVING LINK						1	
20		40067155		LINK PIN						1	
21		40068546		FEED DRIVE ASSEMBLY						1	
22		40069886		SCREW						1	
23		SS8110432SP		SCREW 11/64-40 L=4.1						1	
24		40067184		NUT						1	
25		40067161		BUSHING FOR FEED ROCKER SHAFT						1	
26		40070073		SEALING SCREW						1	
27		40067201		NUT						1	
28		40067181		LOOPER DRIVE CONNECTING ROD ASM.						1	
29		40068302		THRUST COLLAR						1	
30		40076295		RUBBER RING						1	
31		40067183		SHAFT BLANK						1	
32		40067202		STUD FOR LOOPER SHAFT SLEEVE						1	
33		SS8110710SP		SCREW 11/64-40 L=6.5						1	
34		SM6041202TP		SCREW M4X0.7 L=12						1	
35		40070093		SCREW						2	
36		40069776		CONNECTING ROD BEARING ASM.						1	
37		40069777		BEARING					*	2	
38	R	40067203	40069776	CONNECTING ROD BEARING SHELL					*	1	1.00
39		SS1110840SP		SCREW 11/64-40 L=8						1	
40		40068531		MAIN SHAFT WASHER						1	
41		40068303		LOOPER SHAFT SLEEVE						1	

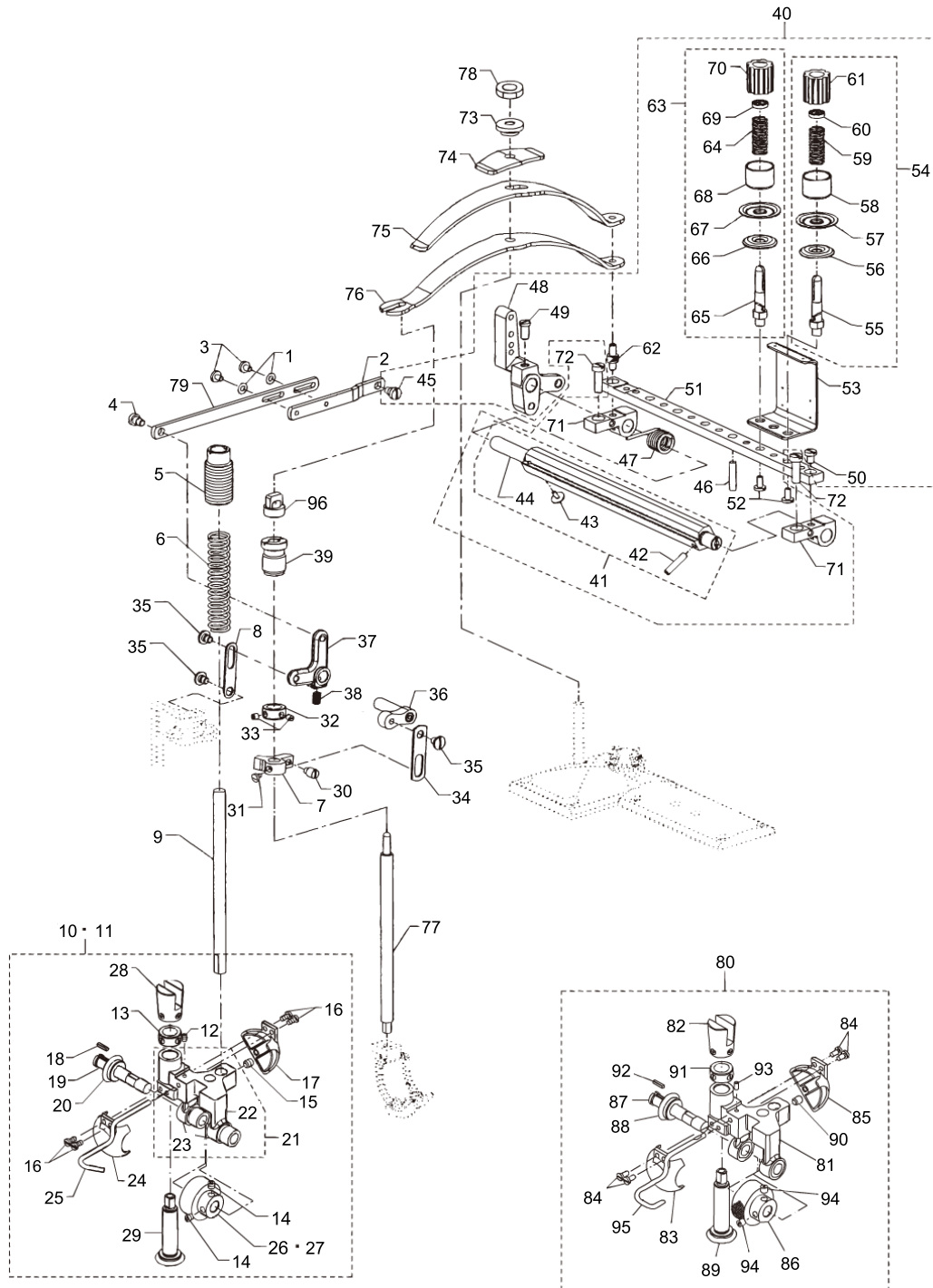
UPPER ROLLER FEED & THREAD TENSION COMPONENTS



UPPER ROLLER FEED & THREAD TENSION COMPONENTS

No.	Supply Code	Parts No.	Replacement	Parts name	Remarks	Choice	Step	Level	Cons	Qty	Rep. QTY
1		WP0380516SD		WASHER						2	
2		40067207		LIFTER LEVER						1	
3		SS4090715SP		SCREW 9/64-40 L=7						2	
4		40070175		SCREW						1	
5		40068554		PULLER BAR KNOB TOP						1	
6		40068555		SPRING PULLER BAR						1	
7		40068572		PRESSER BAR LIFTER AND GUIDE						1	
8		40068556		LIFTER LEVER BELL CRANK LINK						1	
9		40067089		PRESSER BAR						1	
10		40067209		PULLER ASSEMBLY	FOR MS-3-580 SΔ/ΔSN					1	
11		40077683		PULLER ASSEMBLY	FOR MS-3-580 SΔ/ΔRN					1	
12		SM8030602TP		SCREW M3X0.5 L=6				*		1	
13		40068558		DRIVE GEAR COLLAR ASM.				*		1	
14		SS8110422TP		SCREW 11/64-40 L=4				*		2	
15		SM8050612TP		SCREW M5X6				*		1	
16		SM6030650TP		SCREW				*		4	
17		40068559		GEAR GUARD REAR				*		1	
18		40068560		STRAIGHT KEY				*		1	
19		40068561		FEED ROLLER SHAFT				*		1	
20		40068562		DRIVEN MITER GEAR				*		1	
21		40084993		FEED ROLLER FRAME ASM.				*		1	
22	R	40068564	40084993	FEED ROLLER FRAME				*		1	1.00
23		40068565		NEEDLE BEARING				*		2	
24		40068566		GEAR COVER FRONT				*		1	
25		40073864		FINGER GUARD				*		1	
26		40068568		FEED ROLLER STEEL	FOR MS-3-580 SΔ/ΔSN			*		1	
27		40077682		FEED ROLLER STEEL (REVERSE TEETH)	FOR MS-3-580 SΔ/ΔRN			*		1	
28		40067213		FEED ROLLER LOWER CONNECTION				*		1	
29		40068563		DRIVE MITER GEAR				*		1	
30		40070177		SCREW						1	
31		SS7110540SP		SCREW 11/64-40 L=5						1	
32		40068573		COLLAR						1	
33		SS6090620TP		SCREW						2	
34		40067218		LIFTER LINK						1	
35		40078418		SHOULDER SCREW						3	
36		40068304		PRESSER BAR LIFTER LEVER						1	
37		40068574		LIFTER LEVER LINK						1	
38		SS8150822TP		SCREW 15/64-28 L=8						1	
39		40067075		PRESSER BAR BUSHING						1	
40		40069985		THREAD TENSION CONTROL UNIT						1	
41		40068575		TENSION RELEASE SHAFT ASM.				*		1	
42		PS0400202KP		SPRING PIN TYPE W 4X20				*		1	
43		SM7030450SC		SCREW M3X0.5 L=4				*		1	
44		40067221		TENSION RELEASE SHAFT BLK				*		1	

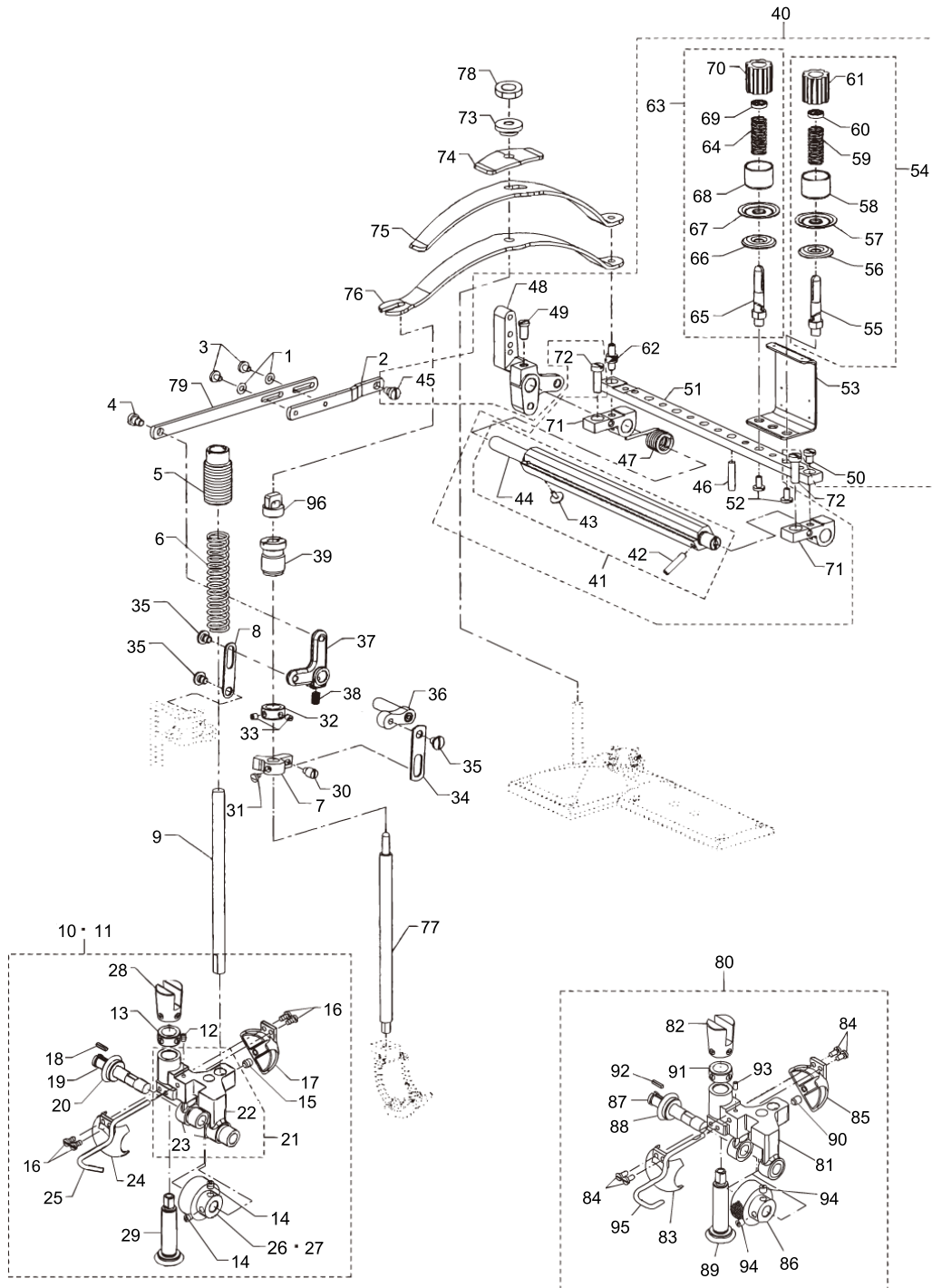
UPPER ROLLER FEED & THREAD TENSION COMPONENTS



UPPER ROLLER FEED & THREAD TENSION COMPONENTS

No.	Supply Code	Parts No.	Replacement	Parts name	Remarks	Choice	Step	Level	Cons	Qty	Rep. QTY
45		40070175		SCREW				*		1	
46		40067224		TENSION DISC RELEASE PIN				*		7	
47		40067225		TENSION RELEASE SHAFT SPRING				*		1	
48		40068305		LIFTER LEVER				*		1	
49		SS9151160CP		SCREW 15/64-28 L=10.5				*		1	
50		SS6120940SP		SCREW 3/16-28 L=9				*		1	
51	R	40067226	40069985	TENSION SUPPORT				*		1	1.00
52		SS6090630TP		SCREW 9/64-40 L=6				*		6	
53		40068576		TENSION THREAD EYELET				*		3	
54		40069840		LOOPER THREAD T- ENSION CONTROLL ASM.				*		3	
55		40067227		TENSION POST				*		1	
56		40068577		TENSIONDISCSMALL				*		1	
57		40068578		TENSIONDISCLARGE				*		1	
58		40067228		SHIELD TENSION SPRING				*		1	
59		40067229		LOOPER THREAD T- ENSION SPRING FOR LOOPER				*		1	
60		40068580		TENSION POST FERRULE				*		1	
61		40067230		TENSION NUT				*		1	
62		40067231		PRESSER SPRING REST				*		1	
63		40069841		NEEDLE THREAD T- ENSION CONTROLLER ASM.				*		3	
64		40068579		NEEDLE THREAD T- ENSION SPRING FOR NEEDLE				*		1	
65		40067227		TENSION POST				*		1	
66		40068577		TENSIONDISCSMALL				*		1	
67		40068578		TENSIONDISCLARGE				*		1	
68		40067228		SHIELD TENSION SPRING				*		1	
69		40068580		TENSION POST FERRULE				*		1	
70		40067230		TENSION NUT				*		1	
71	R	40067223	40069985	TENSION PLATE BRACKET				*		2	1.00
72		SM6051202TP		SCREW M5X0.8 L=12						2	
73		40067232		PRESSER REGULATING SCREW						1	
74		40067233		PRESSER SPRING PLATE						1	
75		40067234		PRESSER SPRING UPPER						1	
76		40067235		PRESSER SPRING LOWER						1	
77		40067217		PRESSER BAR						1	
78		NM6060003SP		NUT M6 TYPE3						1	
79		40070491		LIFTER LEVER LINK						1	
80		40120356		PULLER ASSEMBLY	OPTIONAL PARTS					1	
81		40084993		FEED ROLLER FRAME ASM				*		1	
82		40067213		FEED ROLLER LOW- ER CONNECTION				*		1	
83		40068566		GEAR GUARD FRONT				*		1	
84		SM6030650TP		SCREW				*		4	
85		40068559		GEAR GUARD REAR				*		1	
86		40118632		ROLLER FOR THIN CLOTH				*		1	
87		40068561		FEED ROLLER SHAFT				*		1	
88		40068562		DRIVEN MITER GEAR				*		1	

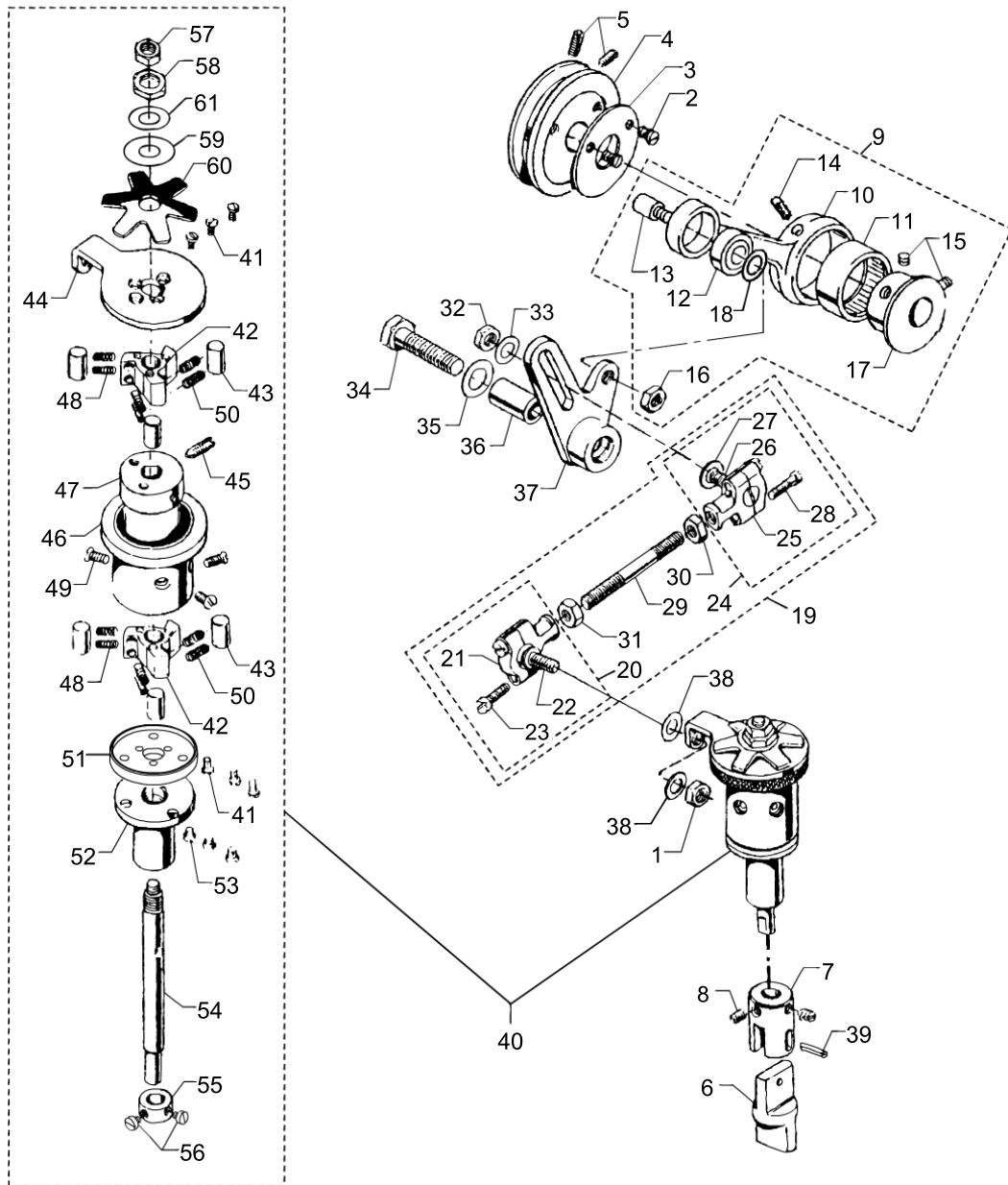
UPPER ROLLER FEED & THREAD TENSION COMPONENTS



UPPER ROLLER FEED & THREAD TENSION COMPONENTS

No.	Supply Code	Parts No.	Replacement	Parts name	Remarks	Choice	Step	Level	Cons	Qty	Rep. QTY
89		40068563		DRIVE MITER GEAR				*		1	
90		SM8050612TP		SCREW M5X6				*		1	
91		40068558		DRIVE GREAR COLLAR ASM				*		1	
92		40068560		STRAIGHT KEY				*		1	
93		SM8030602TP		SCREW M3X0.5 L=6				*		1	
94		SS8110422TP		SCREW 11/64-40 L=4				*		2	
95		40073864		FINGER GUARD				*		1	
96		40067220		PRESSER BAR KNOB				*		1	

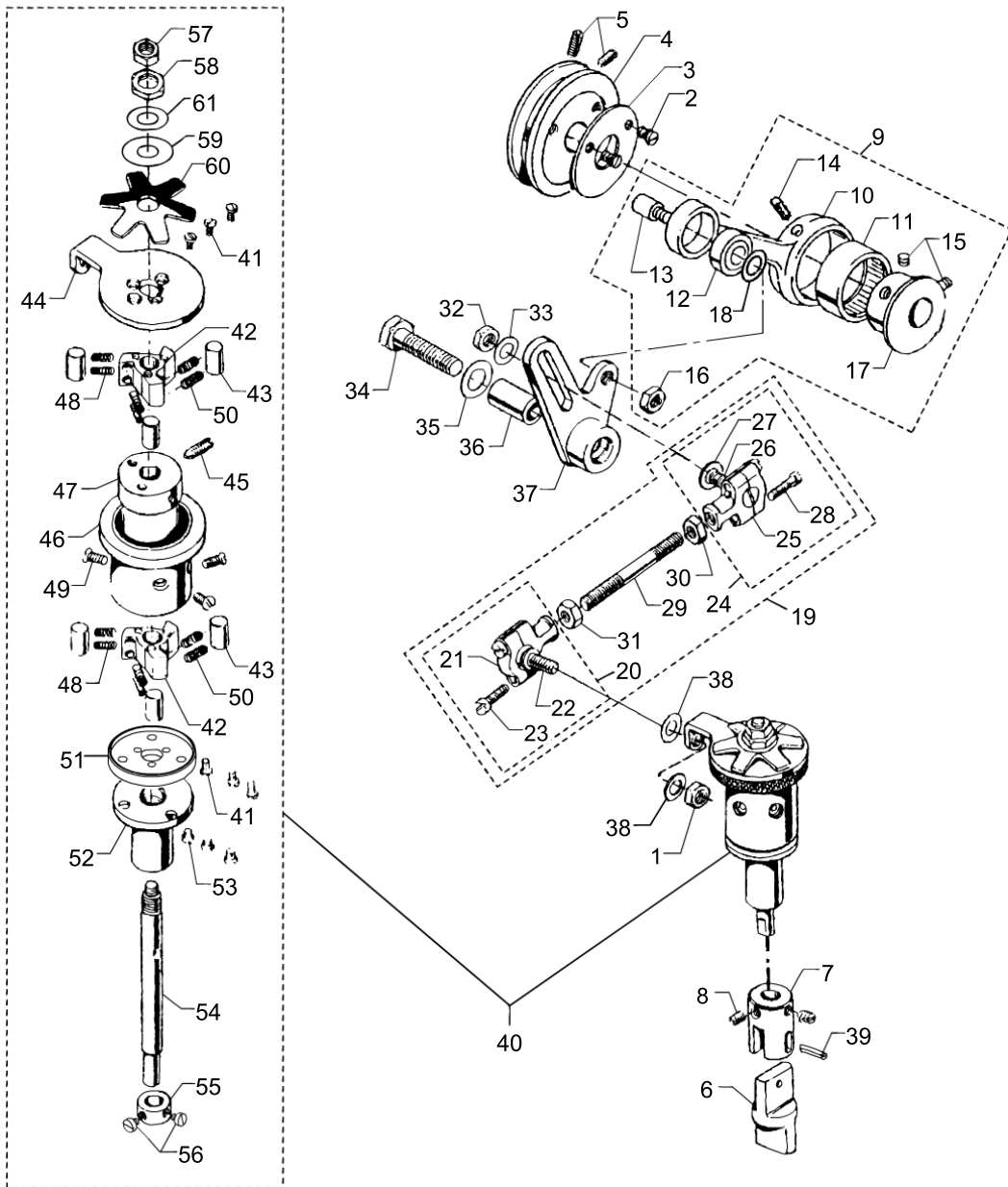
PULLEY, UPPER ROLLER FEED & DRIVING COMPONENTS



PULLEY, UPPER ROLLER FEED & DRIVING COMPONENTS

No.	Supply Code	Parts No.	Replacement	Parts name	Remarks	Choice	Step	Level	Cons	Qty	Rep. QTY
1		NS6150430SP		NUT 15/64-28						1	
2		SS1090750SP		SCREW 9/64-40 L=7						3	
3		40067242		WASHER						1	
4		40067243		PULLEY						1	
5		SS8150822TP		SCREW 15/64-28 L=8						2	
6		40067284		FEED ROLLER DRIVE FLOATING CONNECTION						1	
7		40067285		FEED ROLLER CON- NECTION UPPER						1	
8		SS8110422TP		SCREW 11/64-40 L=4						2	
9		40068581		CONNECTING ROD AND CLUTCH DRIVING ECCENT						1	
10		40068585		CONNECTING ROD				*		1	
11		40068584		NEEDLE BEARING				*		1	
12		40067241		BEARING				*		1	
13		40068583		SHOULDER SCREW				*		1	
14	R	40067240	40068581	OIL WICK				*		1	1.00
15		SM8050612TP		SCREW M5X6				*		2	
16		NS6660430SP		NUT 1/4-40				*		1	
17		40068582		ECCENTRIC				*		1	
18		WP0651056SH		WASHER 6.5X11X1				*		1	
19		40068828		CLUTCH CONNECTION LOT ASM.						1	
20	R	40068594	40068828	ROLLER CLUTCH B- ALL JOINT ASSEMBLY LEFT				*		1	1.00
21		40068595		SHELL				*		1	
22		40068596		BALL STUD				*		1	
23		40069771		SCREW 9/64-40 L=12				*		2	
24	R	40068592	40068828	BALL JOINT ASSEMBLY RIGHT				*		1	1.00
25		40068542		SHELL				*		1	
26		40068593		LOOPER LEVER BAL STUD				*		1	
27		40068591		WASHER				*		1	
28		40069771		SCREW 9/64-40 L=12				*		2	
29	R	40067245	40068828	ROLLER CLUTCH C- ONNECTING ROD				*		1	1.00
30	R	40069128	40068828	NUT M5X0.8 LEFT				*		1	1.00
31		NM6050001SP		NUT M5				*		1	
32		NS6150430SP		NUT 15/64-28						1	
33		WP0621026SP		WASHER 6.2X9.5X1						1	
34		40069460		SCREW 5/16-24						1	
35		WP0951016SP		WASHER 9.53X15X1						1	
36		40067244		SEGMENT LEVER BUSHING						1	
37		40068306		CLUTCH CONNECTION LOT LEVER						1	
38		WP0621026SP		WASHER 6.2X9.5X1						2	
39		PS0200182KP		SPRING PIN TYPE W 2X18						1	
40		40067272		CONSTANT WEDGE ANGLE CLUTCH ASM.						1	
41		SS6060510TP		SCREW 3/32-56 L=4.5				*		6	
42		40068600		CLUTCH DISC				*		2	
43		40067274		CLUTCH ROLLER				*		6	
44		40067273		CLUTCH DRIVE LEVER				*		1	

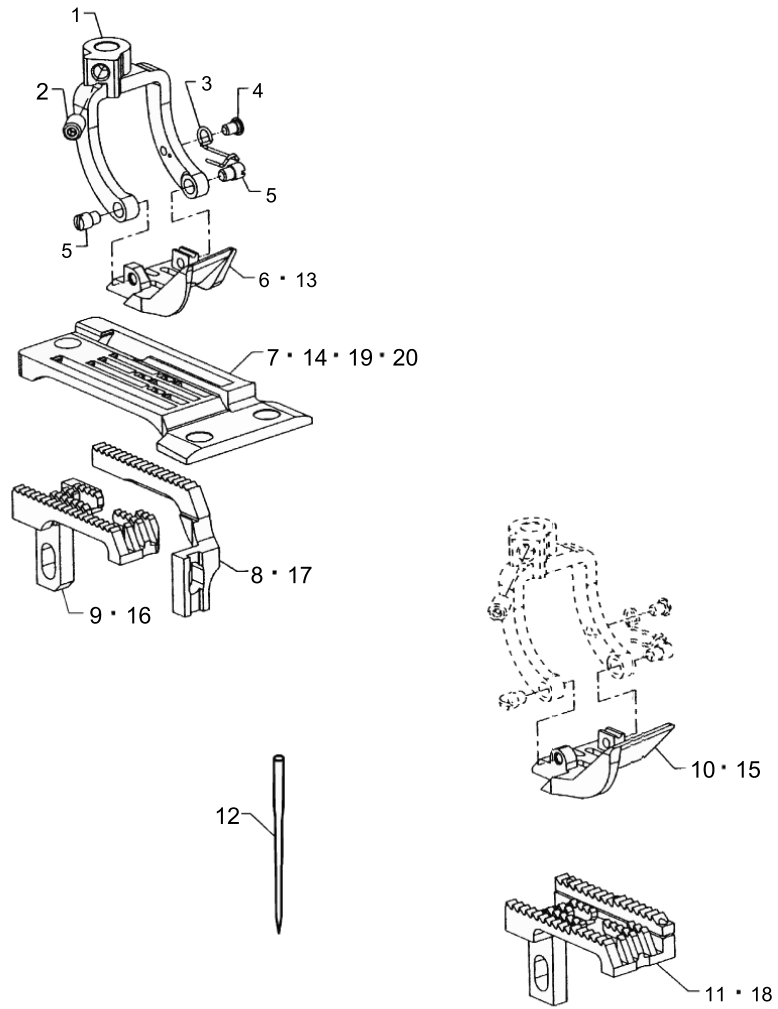
PULLEY, UPPER ROLLER FEED & DRIVING COMPONENTS



PULLEY, UPPER ROLLER FEED & DRIVING COMPONENTS

No.	Supply Code	Parts No.	Replacement	Parts name	Remarks	Choice	Step	Level	Cons	Qty	Rep. QTY
45		40068601		SPOT SCREW				*		1	
46		40067276		CONSTANT WEDGE ANGLE CLUTCH BARREL ASM.				*		1	
47		40068602		BARREL CORE				*		1	
48		40068598		CLUTCH SPRING CAP				*		12	
49		SS1090930SP		SCREW 9/64-40 L=8.6				*		3	
50		40067275		CLUTCH ROLLER SPRING				*		12	
51		40067281		LOCKING SPACER PLATE				*		1	
52		40067282		LOWER BEARING				*		1	
53		SS7090530SP		SCREW 9/64-40 L=4.5				*		3	
54		40068603		FEED DRIVE SHAFT				*		1	
55		40067283		FEED CUP SHAFT COLLAR				*		1	
56		SS6090440SP		SCREW 9/64-40 L=4.0				*		2	
57		NS6120630SP		NUT 3/16-28				*		1	
58		NS6700320SP		NUT 5/16-24				*		1	
59		40082015		WASHER				*		1	
60		40068599		BRAKE SPRING				*		1	
61		40081999		CLUTCH THRUST WASHER				*		1	

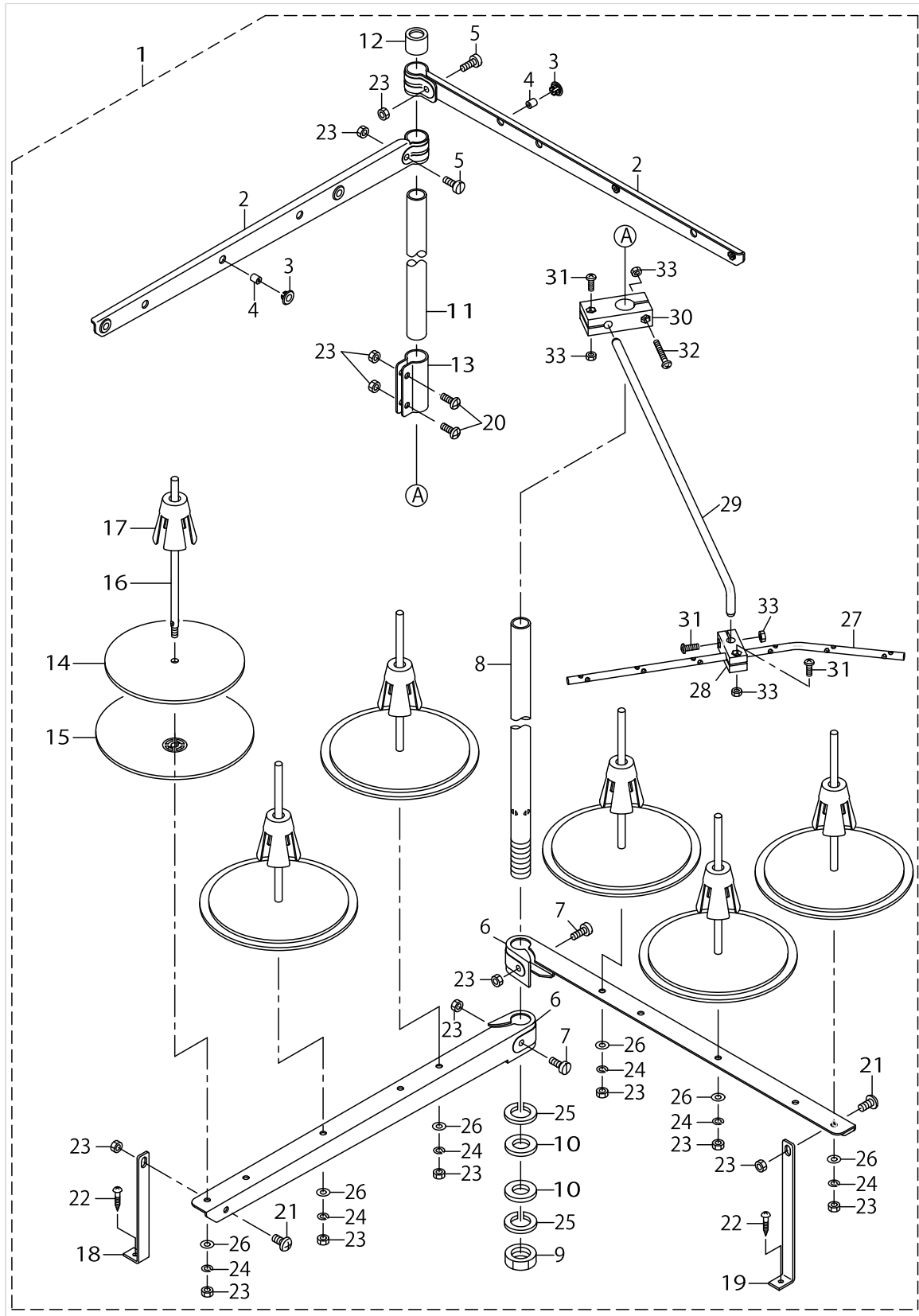
SEWING PARTS COMPONENTS



SEWING PARTS COMPONENTS

No.	Supply Code	Parts No.	Replacement	Parts name	Remarks	Choice	Step	Level	Cons	Qty	Rep. QTY
1		40067286		PRESSERFOOTFORK						1	
2		SS8110422TP		SCREW 11/64-40 L=4					☆	1	
3		40067287		SPRING					☆	1	
4		40070194		SCREW						1	
5		40070193		SCREW					☆	2	
6		40067289		PRESSER FOOT 6.4MM GAUGE	FOR MS-3-580 SF/1- △N - MS-3580					1	
7		40067292		THROAT PLATE 6.4MM GAUGE	FOR MS-3-580 SF/△- △N - MS-3580					1	
8		40067295		DIFFERENTIAL FEED DOG	FOR MS-3-580 S△/1- △N - MS-3580				☆	1	
9		40070054		FEED DOG	FOR MS-3-580 S△/1- △N - MS-3580					1	
10		40067297		PRESSER FOOT 6.4MM GAUGE	FOR MS-3-580 SF/0- △N - MS-3580					1	
11		40068612		FEED DOG FOR 6.4- MM AND 7.2MM GAUGE STYLE	FOR MS-3-580 S△/0- △N - MS-3580					1	
12		MUY130B1400		NEEDLE UY130GS NM140					☆	3	
13		40067290		PRESSER FOOT 7.2MM GAUGE	FOR MS-3-580 SG/1- △N - MS-3580					1	
14		40067293		THROAT PLATE 7.2MM GAUGE	FOR MS-3-580 SG/△- △N - MS-3580					1	
15		40067298		PRESSER FOOT 7.2MM GAUGE	FOR MS-3-580 SG/0- △N - MS-3580					1	
16		40107500		MAIN FEED DOG	FOR MS-3-580 S△/1- △N OPTIO- NAL PARTS					1	
17		40107501		DIFFIRENTIAL FEED DOG	FOR MS-3-580 S△/1- △N OPTIO- NAL PARTS					1	
18		40107503		FEED DOG	FOR MS-3-580 S△/0- △N - MS-3-580 OPTI- ONAL PARTS					1	
19		40107504		THROAT PLATE 6.4MM GAUGE	OPTIONAL PARTS					1	
20		40107505		THROAT PLATE 7.2MM GAUGE	OPTIONAL PARTS					1	

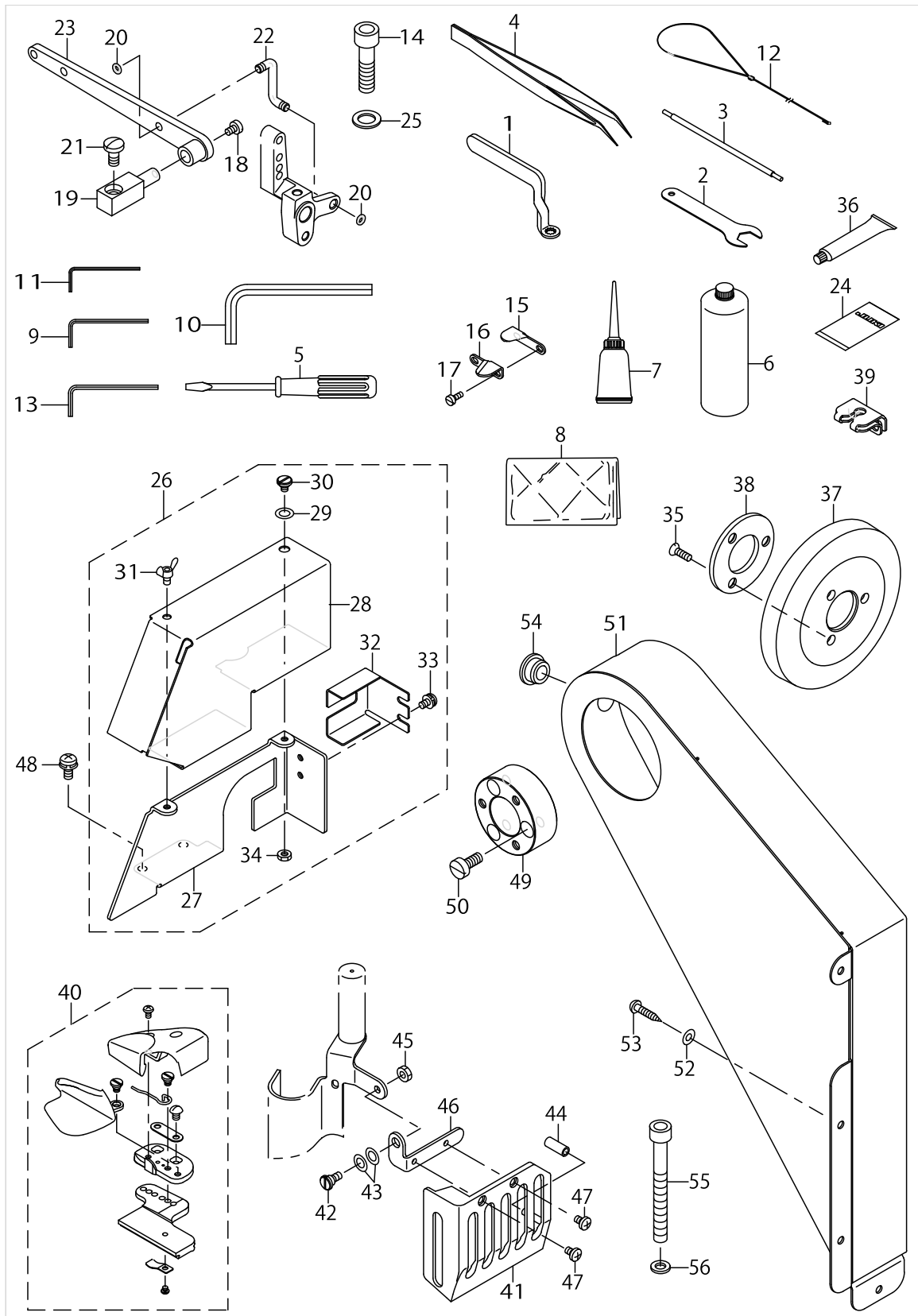
THREAD STAND COMPONENTS



THREAD STAND COMPONENTS

No.	Supply Code	Parts No.	Replacement	Parts name	Remarks	Choice	Step	Level	Cons	Qty	Rep. QTY
1		40106586		THREAD STAND PACKING						1	
2		40106575		SPOOL REST LONG ARM UPPER				*		2	
3		40085795		THREAD GUIDE BUSHING				*		6	
4		40085794		THREAD GUIDE				*		6	
5	R	40096327	SM4053001SE	SPOOL REST ARM UPPER SCREW				*		2	1.00
6		40106574		SPOOL REST LONG ARM LOWER				*		2	
7		40096326		SPOOL REST ARM LOWER SCREW				*		2	
8		40085784		SPOOL REST ROD LOWER				*		1	
9		40096325		SPOOL REST ROD NUT				*		1	
10		40085796		SPOOL REST ROD RUBBER CUSHION				*		2	
11		40085785		SPOOL REST ROD UPPER				*		1	
12		40085793		SPOOL REST ROD RUBBER CAP				*		1	
13		40085792		SPOOL REST ROD JOINT				*		1	
14		40085789		SPOOL REST CUSHION				*		6	
15		40085788		SPOOL REST				*		6	
16		40085790		SPOOL PIN				*		6	
17		40085791		SPOOL RETAINER				*		6	
18		40106577		SPOOL REST ARM LOWER A				*		1	
19		40106578		SPOOL REST ARM LOWER B				*		1	
20		SM4051405SE		SCREW M5 L=14				*		2	
21		SM4051001SE		SCREW M5 L=10				*		2	
22		SK3412001SE		WOOD SCREW D=4.1 L=20				*		2	
23		NM6050001SE		NUT M5X0.8 TYPE1				*		14	
24		WP0531001SC		WASHER M5				*		6	
25		WP1612616SE		WASHER 16X30X2.6				*		2	
26		WS0510002KN		SPRING WASHER M5				*		6	
27		40106583		THREAD GUIDE 6				*		1	
28		40106580		THREAD GUIDE UNDER BASE				*		1	
29		40106576		THREAD GUIDE ARM				*		1	
30		40106579		THREAD GUIDE ARM BASE				*		1	
31		SM4041201SC		SCREW M4X0.7 L=12				*		3	
32		SM4042501SC		SCREW M4X0.7 L=25				*		1	
33	R	NM6040002SC	NM6040002SE	NUT M4X0.7 TYPE2				*		4	1.00

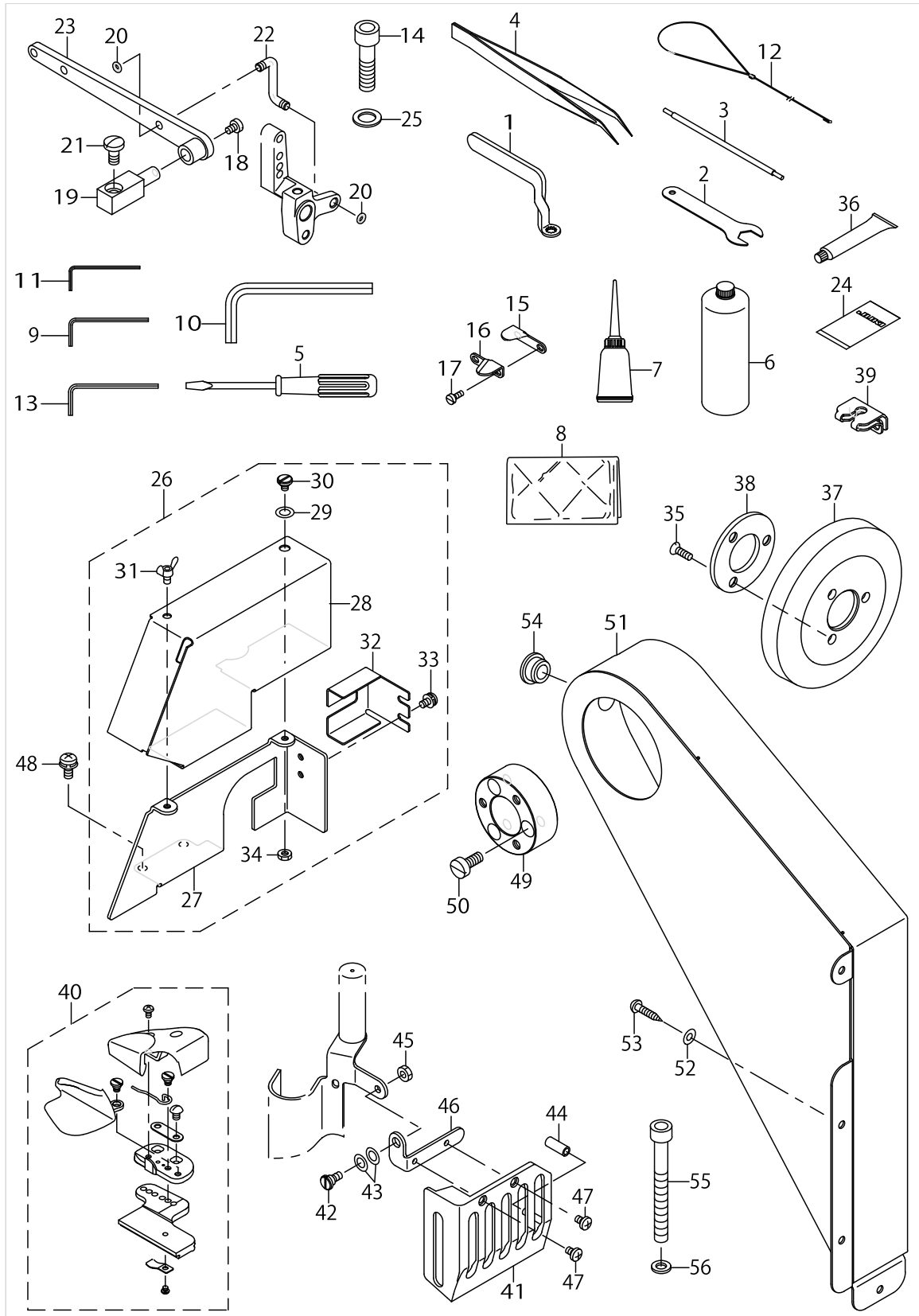
ACCESSORIES PARTS COMPONENTS



ACCESSORIES PARTS COMPONENTS

No.	Supply Code	Parts No.	Replacement	Parts name	Remarks	Choice	Step	Level	Cons	Qty	Rep. QTY
1		40068617		WRENCH FOR LOOPER AVOID						1	
2		40067303		SPANNER FOR FEED BAR						1	
3		40068618		NEEDLE HEAD TORQUE ROD						1	
4		12288403		TWEEZERS						1	
5		22933105		SCREW DRIVER MIDDLE						1	
6		MML018900CA		JUKI MACHINE OIL 18						1	
7		B91210120A0		OILER ASM.						1	
8		40066644		HEAD_COVER						1	
9		J106600000C		HEXAGONAL WRENCH KEY 2.5						1	
10	D	G5407161000		HEXAGONAL ROD SPANNER						1	
11		J106600000B		HEXAGONAL WRENCH KEY (2MM)						1	
12		14058002		THREADER						1	
13		J106600000D		HEXAGONAL WRENCH KEY						1	
14		SM6103502TP		SCREW M10 L=35						2	
15		40068380		CHAIN CUTTER BLADE LOWER						1	
16		40068381		CHAIN CUTTER BLADE UPPER						1	
17		SS6080810SP		SCREW 1/8-44 L= 8.0						2	
18		SS6110630TP		SCREW 11/64-40 L=6						1	
19		40067236		PRESSER FOOT LIF- TER BEARING BRACKET						1	
20		RO029180100		RUBBER RING						2	
21		SS7151210SP		SCREW 15/64-28L=12						1	
22		40067238		LIFTER LEVER CONNECTING LINK						1	
23		40067239		PRESSER FOOT CO- NNECTING LIFTER						1	
24		MUY130B140T		NEEDLE UY130GS NM140-10						1	
25		WP1051416SD		WASHER 10.5X17X1.4						2	
26		40073359		ROLLER COVER ASM.						1	
27		40072763		COVER A				*		1	
28		40073358		COVER B				*		1	
29		WZ0641510KP		WAVED WASHER 6.4X11X0.3				*		1	
30		40081945		SHOULDER SCREW				*		1	
31		16368508		WING BOLT				*		1	
32		40073806		SAFETY COVER				*		1	
33		SL4040891SC		SCREW M4 L=8				*		2	
34		NM6040003SC		NUT M4				*		1	
35		SS1151310TP		SCREW						3	
36		40013640		JUKI_GREASE_B_TUBE						1	
37		40068588		HANDWHEEL						1	
38		40068589		CLAMP PLATE						1	
39		40075567		CHAIN CUTTER COVER						1	
40		40066942		FOLDER ASSEMBLY 3.2MM						1	
41		40067087		SEWING GUARD						1	
42		SD0640326TP		HINGE SCREW						1	
43		WZ0641510KP		WAVED WASHER 6.4X11X0.3						2	
44		BT0600400EC		TUBE HOSE BLUE						.015	
45		NS6110350SP		NUT 11/64-40						1	

ACCESSORIES PARTS COMPONENTS



ACCESSORIES PARTS COMPONENTS

No.	Supply Code	Parts No.	Replacement	Parts name	Remarks	Choice	Step	Level	Cons	Qty	Rep. QTY
46		40081665		SEWING GUARD						1	
47		SS7090611SL		SCREW 9/64-40 L=6.1						2	
48		SL4051291SC		SCREW M5X0.8 L=12						2	
49		40083674		BELTCOVERSPACER						1	
50		SS6151440SP		SCREW15/64-28L=14						3	
51		40083683		BELT COVER						1	
52		WP0450826SC		WASHER 4.5X10X0.8						4	
53		SK3412001SE		WOOD SCREW D=4.1 L=20						4	
54		TA1470704R0		RUBBER PLUG						1	
55		SM6087002TN		SCREW M8 L=70						4	
56		WP0841600SC		WASHER						4	

LIST FOR INFORMATION OF CHANGE

As to the place changed, refer to the corresponding Rev.No.
 When previous parts(Obsoleted part)and new parts(Added parts)are
 not interchangeable with each other:
 In this case,even obsoleted parts(D.)can be ordered with the
 obsoleted part number,so select the parts with changed dates and
 place your orders.

変更箇所は、該当Rev.No.版をご参照ください。
 部品の互換性がない変更の場合は、削除された品番でも、ご注文できます。

40070364
 No.1506-06 Rev.No.

*A:Added parts追加部品/D:Obsoleted parts削除部品/E:Erratum訂正

* Rev. No.	Page 頁	Ref. No.	Parts No. 品番	* Rev. No.	Page 頁	Ref. No.	Parts No. 品番
D 05	2	28	TA-1250406-R0				
D 05	2	46	400-68369				
				A 06	2	52	WP-0480856-SP
D 05	4	31	WP-0430801-UZ				
D 05	6	24	400-67006	A 06	6	24	400-74648
D 05	6	61	400-67011				
D 05	10	12	400-67108	A 06	10	12	400-98071
D 05	12	3	SS-1090920-SP	A 06	12	3	SS-2090710-TP
D 05	12	27	SS-6080810-SP	A 06	12	27	401-02214
D 05	16	32	400-68302	A 06	16	32	400-74663
D 05	16	33	SM-6041202-TP	A 06	16	33	SM-6051202-TP
D 05	18	2	400-75055	A 06	18	2	SS-6090510-TP
D 05	18	5	400-75055	A 06	18	5	SS-6090510-TP
D 05	18	8	400-75055	A 06	18	8	SS-6090510-TP
D 05	20	33	SS-6090610-SP	A 06	20	33	SS-6090620-TP
				A 06	20	40	400-69985
				A 06	20	45	400-70175
				A 06	20	80	401-20356
D 05	22	41	SS-7060510-SP	A 06	22	41	SS-6060510-TP
				A 06	24	16	401-07500
				A 06	24	17	401-07501
				A 06	24	18	401-07503
				A 06	24	19	401-07504
				A 06	24	20	401-07505
D 05	26	1	131-68653	A 06	26	1	401-06586

HOW TO MAKE USE OF THIS PARTS LIST

1.Explanation of codes

1)"*"mark.....means this part is changed from the previous parts book.

As to the details of the change, refer to the "List for information of change".

2)"#01".....refer to "Note" explanation at bottom of page.

2.Codes on the "Qty" column

- Each numeral indicates the number of parts required.
- "0.1" and "2.5" indicate the length (in meters) of the respective parts.

3.Parentheses mean that the corresponding part is a subpart that constructs an assembly part.

4.Dotted lines on the Figures indicate assembly parts.

1."注記"欄の記号説明

1) "*"印.....前回のパーツブックに比較して今回変更された部品を意味します。

変更内容は、"変更情報リスト"を参照してください。

2) "#01".....ページ下の"注記"の説明を参照してください。

2.数量欄の数字は、個数を表し、0.1、2.5等の数値は、長さ（単位メートル）を表します。

3.数量欄の（ ）は、組部品を構成している子部品であることを意味します。

4.イラストページの-----枠は、組構成であることを意味します。

NUMERICAL INDEX OF PARTS

PART NO	PAGE	REF NO.	PART NO	PAGE	REF NO.	PART NO	PAGE	REF NO.
10129104	16	27	40066911	8	2	40067082	16	23
11856101	28	13	40066912	8	3	40067087	52	41
12288403	52	4	40066912	12	43	40067089	38	9
13170105	2	24	40066913	8	4	40067090	16	32
13170105	8	35	40066914	8	14	40067091	16	24
13171004	2	23	40066915	8	15	40067092	16	41
13171004	8	36	40066916	8	16	40067093	16	42
14058002	52	12	40066917	8	20	40067094	18	45
16368508	52	31	40066917	12	11	40067100	20	3
22924708	2	5	40066918	8	21	40067101	20	4
22933105	52	5	40066918	14	54	40067102	20	6
40009014	2	10	40066919	8	22	40067109	20	10
40009520	4	66	40066919	12	12	40067118	20	14
40013640	52	36	40066920	8	6	40067119	20	32
40066644	52	8	40066920	12	15	40067120	20	33
40066849	2	2	40066923	8	7	40067121	20	15
40066851	2	6	40066924	8	27	40067124	20	19
40066854	2	7	40066925	8	28	40067125	20	34
40066855	2	8	40066927	8	32	40067132	20	39
40066857	2	12	40066928	8	33	40067133	20	40
40066864	2	16	40066928	12	22	40067134	24	2
40066865	2	20	40066929	8	34	40067137	24	11
40066866	2	21	40066929	12	21	40067138	24	12
40066875	2	33	40066942	52	40	40067139	24	14
40066876	2	37	40066969	8	44	40067140	24	15
40066878	2	39	40066969	12	39	40067141	24	16
40066880	2	41	40066975	10	47	40067142	24	20
40066881	2	42	40066996	14	62	40067144	24	23
40066882	2	44	40066998	12	2	40067145	24	24
40066884	4	51	40067001	12	6	40067147	24	31
40066890	4	85	40067003	12	13	40067148	24	33
40066891	4	55	40067008	12	25	40067149	28	16
40066892	4	56	40067009	12	26	40067154	26	46
40066893	4	57	40067013	8	29	40067155	28	22
40066894	4	58	40067013	12	36	40067155	36	20
40066895	4	59	40067014	12	37	40067156	28	12
40066896	4	60	40067050	12	42	40067161	28	27
40066898	4	62	40067051	14	48	40067161	36	25
40066899	4	63	40067054	14	58	40067166	28	30
40066902	4	67	40067055	12	44	40067167	28	31
40066903	4	68	40067059	14	60	40067168	28	36
40066905	4	76	40067073	16	3	40067169	28	38
40066906	4	78	40067074	16	4	40067172	30	48
40066909	8	1	40067075	38	39	40067172	36	18
40066909	12	40	40067078	16	8	40067173	30	49

NUMERICAL INDEX OF PARTS

PART NO	PAGE	REF NO.	PART NO	PAGE	REF NO.	PART NO	PAGE	REF NO.
40067174	28	2	40067249	4	72	40068376	4	71
40067176	32	13	40067272	44	40	40068377	22	43
40067179	32	16	40067273	44	44	40068378	4	84
40067180	32	21	40067274	44	43	40068380	52	15
40067181	32	24	40067275	46	50	40068381	52	16
40067181	36	28	40067276	46	46	40068382	8	11
40067183	32	22	40067281	46	51	40068383	8	19
40067183	36	31	40067282	46	52	40068384	8	26
40067184	32	19	40067283	46	55	40068384	12	14
40067184	36	24	40067284	44	6	40068386	8	37
40067196	32	42	40067285	44	7	40068389	14	63
40067200	36	15	40067286	48	1	40068391	12	18
40067201	36	27	40067287	48	3	40068392	12	27
40067202	36	32	40067289	48	6	40068395	14	55
40067203	36	38	40067290	48	13	40068397	16	14
40067207	38	2	40067292	48	7	40068398	16	16
40067209	38	10	40067293	48	14	40068399	16	20
40067213	38	82	40067295	48	8	40068401	16	31
40067213	40	82	40067297	48	10	40068402	16	34
40067217	40	77	40067298	48	15	40068403	16	36
40067218	38	34	40067303	52	2	40068405	16	40
40067220	42	96	40068293	16	12	40068409	16	30
40067221	38	44	40068294	16	9	40068410	20	1
40067223	40	71	40068295	20	31	40068413	20	5
40067224	40	46	40068296	24	7	40068419	20	8
40067225	40	47	40068296	28	4	40068420	20	9
40067226	40	51	40068297	30	47	40068421	20	18
40067227	40	65	40068298	32	10	40068422	20	21
40067228	40	68	40068298	36	10	40068423	20	26
40067229	40	59	40068299	32	11	40068424	20	24
40067230	40	70	40068299	36	12	40068425	20	27
40067231	40	62	40068300	32	12	40068426	20	11
40067232	40	73	40068300	36	11	40068427	22	49
40067233	40	74	40068302	36	29	40068429	22	46
40067234	40	75	40068303	36	41	40068430	24	5
40067235	40	76	40068304	38	36	40068430	28	6
40067236	52	19	40068305	40	48	40068431	24	10
40067238	52	22	40068306	44	37	40068432	24	13
40067239	52	23	40068311	20	42	40068433	24	19
40067240	44	14	40068312	20	36	40068434	24	22
40067241	44	12	40068335	2	11	40068435	24	25
40067242	44	3	40068341	2	17	40068436	24	34
40067243	44	4	40068345	2	22	40068438	24	39
40067244	44	36	40068368	2	43	40068439	24	40
40067245	44	29	40068371	4	48	40068441	26	42

NUMERICAL INDEX OF PARTS

PART NO	PAGE	REF NO.	PART NO	PAGE	REF NO.	PART NO	PAGE	REF NO.
40068444	24	37	40068559	40	85	40068618	52	3
40068448	14	46	40068560	38	92	40068645	4	49
40068449	26	45	40068560	42	92	40068656	16	44
40068451	28	10	40068561	38	87	40068663	28	46
40068452	28	14	40068561	40	87	40068663	30	46
40068455	28	20	40068562	38	88	40068664	30	45
40068456	28	18	40068562	40	88	40068794	24	8
40068461	28	17	40068563	38	89	40068794	28	5
40068463	28	29	40068563	42	89	40068816	32	23
40068465	28	33	40068564	38	22	40068817	32	9
40068466	28	34	40068565	38	23	40068817	36	9
40068466	36	17	40068566	38	83	40068828	44	19
40068467	28	39	40068566	40	83	40068921	20	29
40068468	28	41	40068568	38	26	40069015	28	40
40068469	30	44	40068572	38	7	40069085	28	25
40068470	28	24	40068573	38	32	40069128	32	28
40068471	32	1	40068574	38	37	40069128	44	30
40068471	36	4	40068575	38	41	40069155	24	26
40068472	32	4	40068576	40	53	40069453	24	30
40068472	36	7	40068577	40	66	40069460	44	34
40068473	32	7	40068578	40	67	40069753	24	18
40068473	36	1	40068579	40	64	40069768	16	37
40068474	32	14	40068580	40	69	40069771	24	43
40068522	32	18	40068581	44	9	40069771	26	43
40068525	32	20	40068582	44	17	40069771	44	28
40068531	32	34	40068583	44	13	40069776	36	36
40068531	36	40	40068584	44	11	40069777	36	37
40068532	32	36	40068585	44	10	40069800	18	46
40068534	32	39	40068588	52	37	40069840	40	54
40068535	34	45	40068589	52	38	40069841	40	63
40068536	32	25	40068591	44	27	40069882	14	56
40068537	32	26	40068592	44	24	40069883	8	17
40068538	32	29	40068593	44	26	40069883	12	5
40068539	32	27	40068594	44	20	40069884	8	10
40068540	32	30	40068595	44	21	40069884	12	1
40068542	44	25	40068596	44	22	40069886	24	36
40068543	36	13	40068598	46	48	40069886	36	22
40068545	36	19	40068599	46	60	40069918	26	44
40068546	36	21	40068600	44	42	40069918	28	19
40068554	38	5	40068601	20	22	40069919	12	7
40068555	38	6	40068601	46	45	40069920	12	3
40068556	38	8	40068602	46	47	40069921	12	9
40068558	38	91	40068603	46	54	40069957	4	70
40068558	42	91	40068612	48	11	40069985	38	40
40068559	38	85	40068617	52	1	40069993	8	8

NUMERICAL INDEX OF PARTS

PART NO	PAGE	REF NO.	PART NO	PAGE	REF NO.	PART NO	PAGE	REF NO.
40069994	12	45	40075307	22	56	40106574	50	6
40070015	4	50	40075567	52	39	40106575	50	2
40070054	48	9	40076293	28	35	40106576	50	29
40070062	2	32	40076293	36	16	40106577	50	18
40070071	8	42	40076295	28	8	40106578	50	19
40070071	14	51	40076295	36	30	40106579	50	30
40070073	28	26	40077682	38	27	40106580	50	28
40070073	36	26	40077683	38	11	40106583	50	27
40070075	4	53	40078404	16	18	40106586	50	1
40070093	36	35	40078404	22	57	40107500	48	16
40070102	2	3	40078418	38	35	40107501	48	17
40070141	16	21	40081665	54	46	40107503	48	18
40070157	4	64	40081693	20	35	40107504	48	19
40070158	16	1	40081945	52	30	40107505	48	20
40070175	38	45	40081999	46	61	40112855	2	45
40070175	40	45	40082003	14	52	40112856	4	61
40070177	38	30	40082006	10	46	40112857	8	43
40070191	28	37	40082015	46	59	40112857	12	38
40070192	28	32	40082705	16	5	40112858	20	17
40070193	48	5	40082711	16	2	40118632	40	86
40070194	48	4	40082712	16	6	40120356	40	80
40070319	8	13	40082824	22	59	B1132521000	16	26
40070346	12	19	40082833	22	60	B144418000B	2	38
40070350	8	38	40082960	16	43	B3538112000	22	51
40070353	20	23	40083065	4	75	B91210120A0	52	7
40070491	40	79	40083674	54	49	BT0500300EA	22	58
40072348	2	13	40083683	54	51	BT0600400EC	52	44
40072351	22	50	40084993	38	81	CM300200001	4	81
40072763	52	27	40084993	40	81	CM301200001	4	73
40073130	4	86	40085784	50	8	CM500300001	4	82
40073358	52	28	40085785	50	11	CM600100101	2	29
40073359	52	26	40085788	50	15	CQ200000000	4	54
40073806	52	32	40085789	50	14	CQ200000000	8	41
40073864	38	95	40085790	50	16	CQ200000000	20	16
40073864	42	95	40085791	50	17	CQ200000000	26	47
40074648	12	24	40085792	50	13	CQ200000000	30	50
40074649	12	28	40085793	50	12	CQ303000000	2	26
40074653	12	29	40085794	50	4	CQ303000000	20	41
40074654	12	30	40085795	50	3	EA9500B0000	20	30
40074655	12	31	40085796	50	10	G5407161000	52	10
40074663	32	32	40096325	50	9	J106600000B	52	11
40075055	32	8	40096326	50	7	J106600000C	52	9
40075304	22	53	40096327	50	5	J106600000D	52	13
40075305	22	54	40098071	20	12	MML018900CA	52	6
40075306	22	55	40102214	24	27	MUY130B1400	48	12

NUMERICAL INDEX OF PARTS

PART NO	PAGE	REF NO.	PART NO	PAGE	REF NO.	PART NO	PAGE	REF NO.
MUY130B140T	52	24	SM5030655SP	2	9	SS4111215SP	2	1
NM6040002SC	50	33	SM6030650TP	38	84	SS5090610SP	8	30
NM6040003SC	52	34	SM6030650TP	40	84	SS5090610SP	12	35
NM6050001SE	50	23	SM6030850TP	22	48	SS6060510TP	44	41
NM6050001SP	24	41	SM6041202TP	36	34	SS6080410SP	16	33
NM6050001SP	28	21	SM6050660TP	2	25	SS6080720SP	22	47
NM6050001SP	32	31	SM6050660TP	22	61	SS6080810SP	28	15
NM6050001SP	44	31	SM6050800SP	2	18	SS6080810SP	52	17
NM6060003SP	40	78	SM6051202TP	32	33	SS6090420SP	2	34
NS6090310SP	2	89	SM6051202TP	40	72	SS6090440SP	8	40
NS6090310SP	6	89	SM6062002TP	16	11	SS6090440SP	12	20
NS6110310SP	16	19	SM6063002TP	2	27	SS6090440SP	16	35
NS6110350SP	2	35	SM6087002TN	54	55	SS6090440SP	46	56
NS6110350SP	52	45	SM6103502TP	52	14	SS6090510TP	22	45
NS6120630SP	46	57	SM7030450SC	38	43	SS6090510TP	36	8
NS6150350SP	16	7	SM8030602TP	38	93	SS6090610SP	16	28
NS6150430SP	44	32	SM8030602TP	42	93	SS6090620TP	38	33
NS6660430SP	24	32	SM80404A2TP	28	9	SS6090630TP	20	7
NS6660430SP	32	40	SM80404A2TP	32	44	SS6090630TP	40	52
NS6660430SP	36	14	SM8040642TP	32	43	SS6090670TP	8	5
NS6660430SP	44	16	SM8050612TP	38	90	SS6110610TP	4	80
NS6700320SP	46	58	SM8050612TP	42	90	SS6110610TP	24	4
PS0200182KP	44	39	SM8050612TP	44	15	SS6110630TP	52	18
PS0400202KP	38	42	SM8050812TP	20	28	SS6110650TP	20	37
RO029180100	52	20	SM8061010TP	24	9	SS6110710TP	28	11
RO061180100	12	32	SS1090520TP	4	65	SS6111010TP	2	31
RO061180100	28	23	SS1090750SP	44	2	SS6111010TP	28	7
RO061180100	32	37	SS1090930SP	16	38	SS6111620SP	24	1
RO098190100	14	47	SS1090930SP	46	49	SS6120940SP	40	50
RO148240200	2	14	SS1110840SP	32	35	SS6121010SP	16	13
SB120002200	4	47	SS1110840SP	36	39	SS6151440SP	54	50
SD0380551SL	16	25	SS1151310TP	52	35	SS7090510SP	14	49
SD0640326TP	52	42	SS2080810SP	8	25	SS7090520TP	14	57
SK3412001SE	50	22	SS2090710TP	24	3	SS7090530SP	46	53
SK3412001SE	54	53	SS2090810SP	14	61	SS7090611SL	54	47
SL4040881SC	22	52	SS4060310SP	8	12	SS7090710SP	2	30
SL4040891SC	52	33	SS4080515SP	2	19	SS7090710SP	8	45
SL4051291SC	54	48	SS4080515SP	28	28	SS7090710SP	14	50
SM1040950TP	12	33	SS4080620TP	8	24	SS7090850SP	4	87
SM4040855SP	20	13	SS4080620TP	12	16	SS7091110TP	16	29
SM4041201SC	50	31	SS4080620TP	16	39	SS7110540SP	38	31
SM4041255SP	2	15	SS4080620TP	20	38	SS7110840SP	4	77
SM4042501SC	50	32	SS4090715SP	38	3	SS7111110TP	24	29
SM4051001SE	50	21	SS4091015SP	16	17	SS7111120TP	22	44
SM4051405SE	50	20	SS4111015SP	4	83	SS7111410TP	12	59

NUMERICAL INDEX OF PARTS

PART NO	PAGE	REF NO.	PART NO	PAGE	REF NO.
SS7111410TP	14	59	WZ0641510KP	52	43
SS7121410TP	2	36			
SS7121410TP	16	15			
SS7151210SP	52	21			
SS8080310TP	24	28			
SS8110410TP	20	20			
SS8110422TP	38	94			
SS8110422TP	42	94			
SS8110422TP	44	8			
SS8110422TP	48	2			
SS8110432SP	24	35			
SS8110432SP	36	23			
SS8110520TP	8	9			
SS8110520TP	16	10			
SS8110710SP	8	31			
SS8110710SP	12	53			
SS8110710SP	14	53			
SS8110710SP	36	33			
SS8150822TP	38	38			
SS8150822TP	44	5			
SS8660612TP	4	46			
SS9151160CP	40	49			
TA1470704R0	54	54			
TA2050406R0	8	39			
WP0330500MB	12	8			
WP0370316SD	4	88			
WP0380516SD	38	1			
WP0450801SP	4	79			
WP0450826SC	54	52			
WP0480856SP	4	52			
WP0531001SC	50	24			
WP0621026SP	44	38			
WP0651056SD	2	28			
WP0651056SD	18	48			
WP0651056SH	44	18			
WP0700616SP	32	41			
WP0740516SP	18	47			
WP0841600SC	54	56			
WP0951016SP	12	34			
WP0951016SP	44	35			
WP1051416SD	52	25			
WP1612616SE	50	25			
WS0310002UZ	8	18			
WS0310002UZ	12	4			
WS0510002KN	50	26			