

MODEL : AK-141

List No : 1529-04

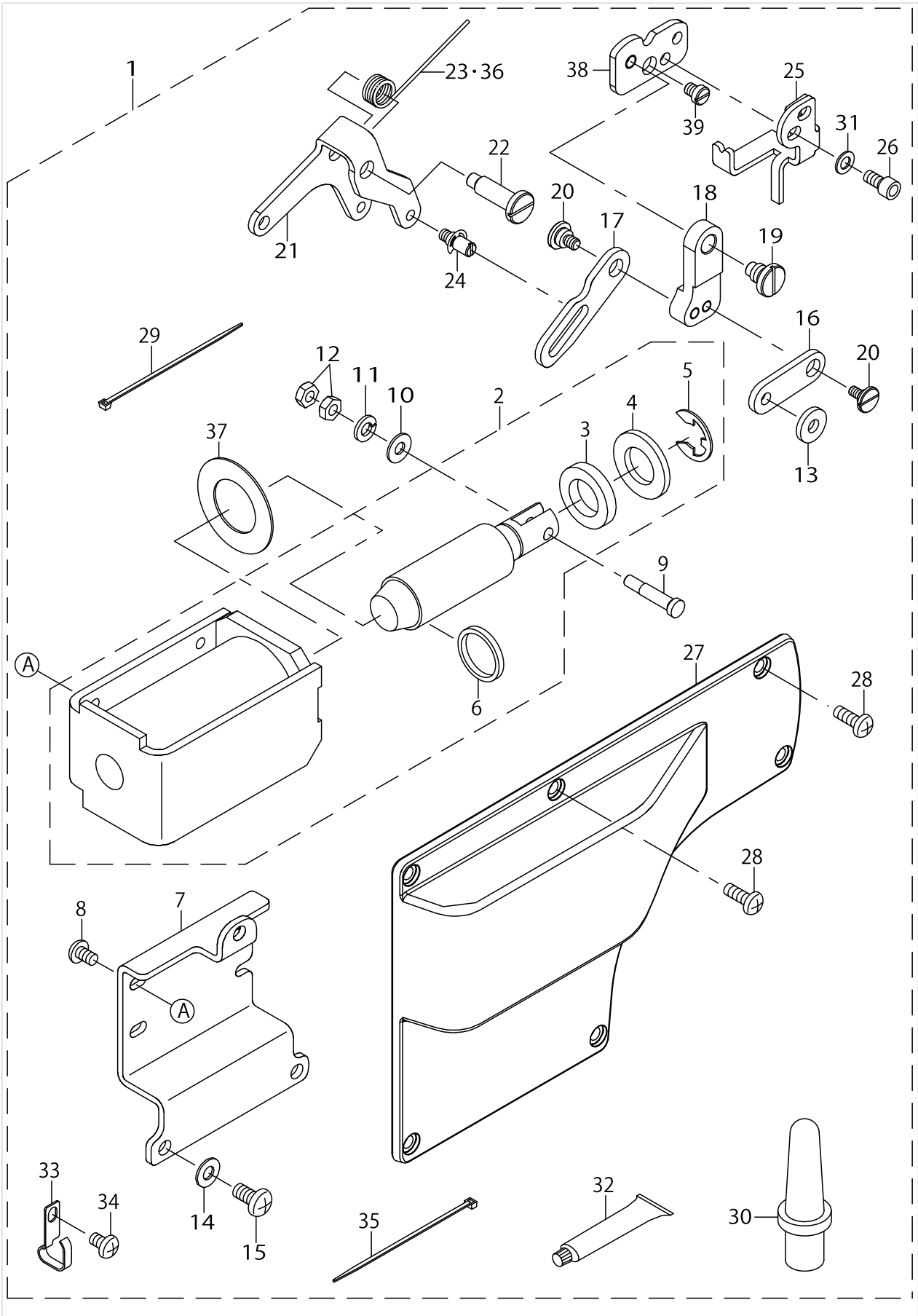
PARTS LIST

Published:05/12/2017

CONTENTS

AK-141 COMPONENTS.....	1
HOW TO MAKE USE OF THIS PARTS LIST	3

AK-141 COMPONENTS



AK-141 COMPONENTS

No.	Supply Code	Parts No.	Replacement	Parts name	Remarks	Choice	Step	Level	Cons	Qty	Rep. QTY
1		40089370		AK141 COMPONENTS						1	
2		40086663		AK_SOLENOID				*		1	
3		D2468555B00		RUBBER PLUNGER				*		1	
4		40091295		AK SOLENOID WASHER				*		1	
5		RE1200000K0		E-RING 12				*		1	
6		B1652210D00		GASKET				*		1	
7		40086662		AK_SOLENOID_BASE				*		1	
8		SM4050855SP		SCREW M5 L=8				*		4	
9		40086759		BACK_SOLENOID_PLUNGER_PIN				*		1	
10		WP0551016SH		WASHER 5.5X13X1				*		1	
11		WS0610002KN		SPRING WASHER 6.1X12.2X1.5				*		1	
12		NM6050001SP		NUT M5				*		2	
13		WP0612516SD		WASHER 6.1X15.2X2.5				*		1	
14		WP0651056SD		WASHER 6.5X11X1				*		3	
15		SM4061255SP		SCREW M6 L=12				*		3	
16		40086665		SOLENOID_CONNECTING_LINK_PLATE				*		1	
17		40086666		KNEE_LIFTER_LINK_PLATE				*		1	
18		40142985		KNEE_LIFTER_CONNECTING_LINK				*		1	
19		40145614		SHOULDER_SCREW				*		1	
20		SD0800327TP		SHOULDER SCREW D=8 H=3.2				*		2	
21		40086667		KNEE LIFTER LINK_AK				*		1	
22		40082079		SHOULDER SCREW D=8 H=21.2				*		1	
23		GAKA1842000		KNEE LIFTER LINK SPRING	TYPE H			*		1	
24		GAK330400A0		SHAFT PIN ASM.				*		1	
25		40086644		WIRE HOLDER_AK				*		1	
26		SM6051002TP		SCREW M5 L=10				*		2	
27		40089270		SIDE_PLATE_AK				*		1	
28		SM4051455SP		SCREW M5 L=14	FOR CP-1-8, CP-180 (-IP-110F C-AN NOT BE USED. SCREW.)			*		2	
29		HX000430000		CLIP				*		1	
30		40024081		HEAD SUPPORT ROD				*		1	
31		WP0550800SP		WASHER 5.5X10X0.8				*		2	
32		40006323		JUKI GREASE A TUBE				*		1	
33		40022407		CORD HOLDER				*		1	
34		SM4050855SP		SCREW M5 L=8				*		1	
35		EA9500B0100		CABLE BAND				*		2	
36		40098944		KNEE LIFTER LINK SPRING A	TYPE S/A			*		1	
37		40131560		AK PLUNGER WASHER	TYPE S/A			*		1	
38		40145613		FITTING BASE				*		1	
39		40145940		BASE PLATE STOPPER				*		1	

HOW TO MAKE USE OF THIS PARTS LIST

1.As to "#01" and "#02" refer to the "Note" given at the bottom of the respective pages.

2.Codes on the "Qty" column

- Each numeral indicates the number of parts required.
- "0.1" and "2.5" indicate the length (in meters) of the respective parts.

3.Parentheses mean that the corresponding part is a subpart that constructs an assembly part.

4.Dotted lines on the Figures indicate assembly parts.

1. リストページの# 0 1、# 0 2の印は、ページ下の"注記"の説明を参照下さい。
2. 数量欄の数字は、個数を表し、0. 1、2. 5等の数値は、長さ（単位メートル）を表します。
3. 数量欄の（ ）は、組部品を構成している子部品であることを意味します。
4. イラストページの-----枠は、組構成であることを意味します。

NUMERICAL INDEX OF PARTS

PART NO	PAGE	REF NO.
40006323	2	32
40022407	2	33
40024081	2	30
40082079	2	22
40086644	2	25
40086662	2	7
40086663	2	2
40086665	2	16
40086666	2	17
40086667	2	21
40086759	2	9
40089270	2	27
40089370	2	1
40091295	2	4
40098944	2	23-36
40131560	2	37
40142985	2	18
40145613	2	38
40145614	2	19
40145940	2	39
B1652210D00	2	6
D2468555B00	2	3
EA9500B0100	2	35
GAK330400A0	2	24
GAKA1842000	2	23-36
HX000430000	2	29
NM6050001SP	2	12
RE1200000K0	2	5
SD0800327TP	2	20
SM4050855SP	2	34
SM4051455SP	2	28
SM4061255SP	2	15
SM6051002TP	2	26
WP0550800SP	2	31
WP0551016SH	2	10
WP0612516SD	2	13
WP0651056SD	2	14
WS0610002KN	2	11