

MODEL : SC-920

List No : 1530-03

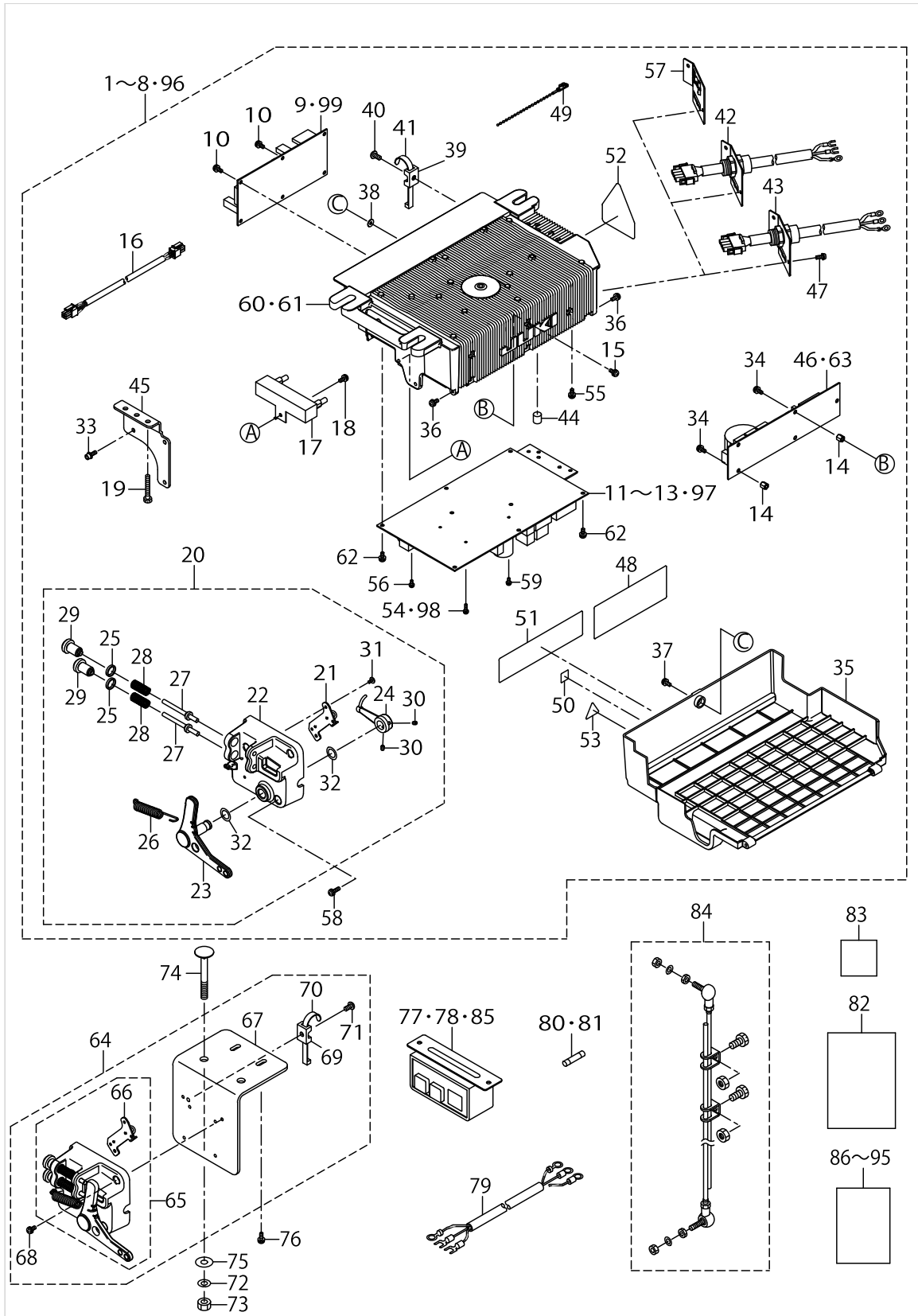
# PARTS LIST

Published:05/12/2017

## CONTENTS

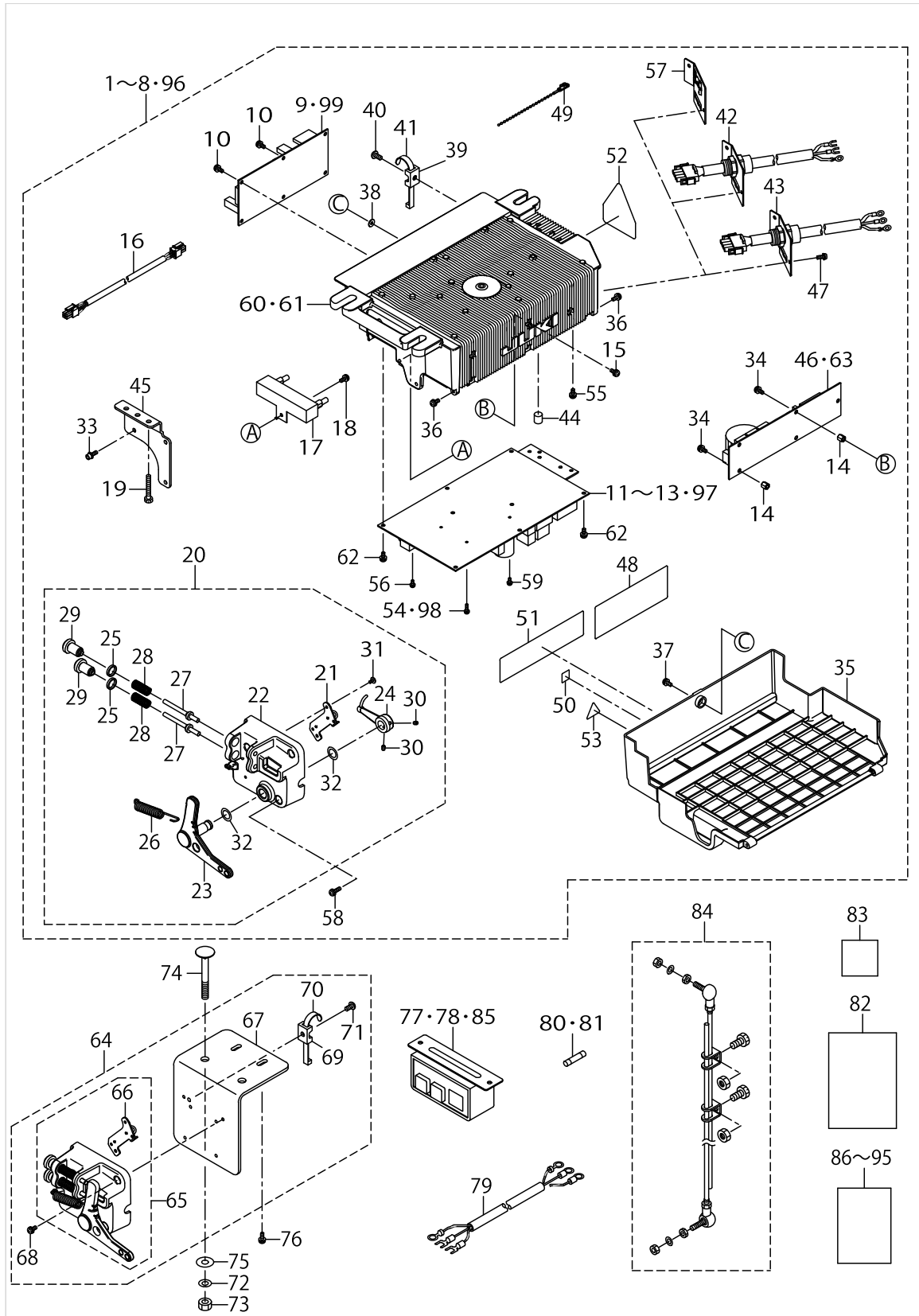
---

SC-920 .....	1
CP-18 TYPE A.....	11
REACTOR BOX 1P (FOR CE).....	13
HOW TO MAKE USE OF THIS PARTS LIST .....	15



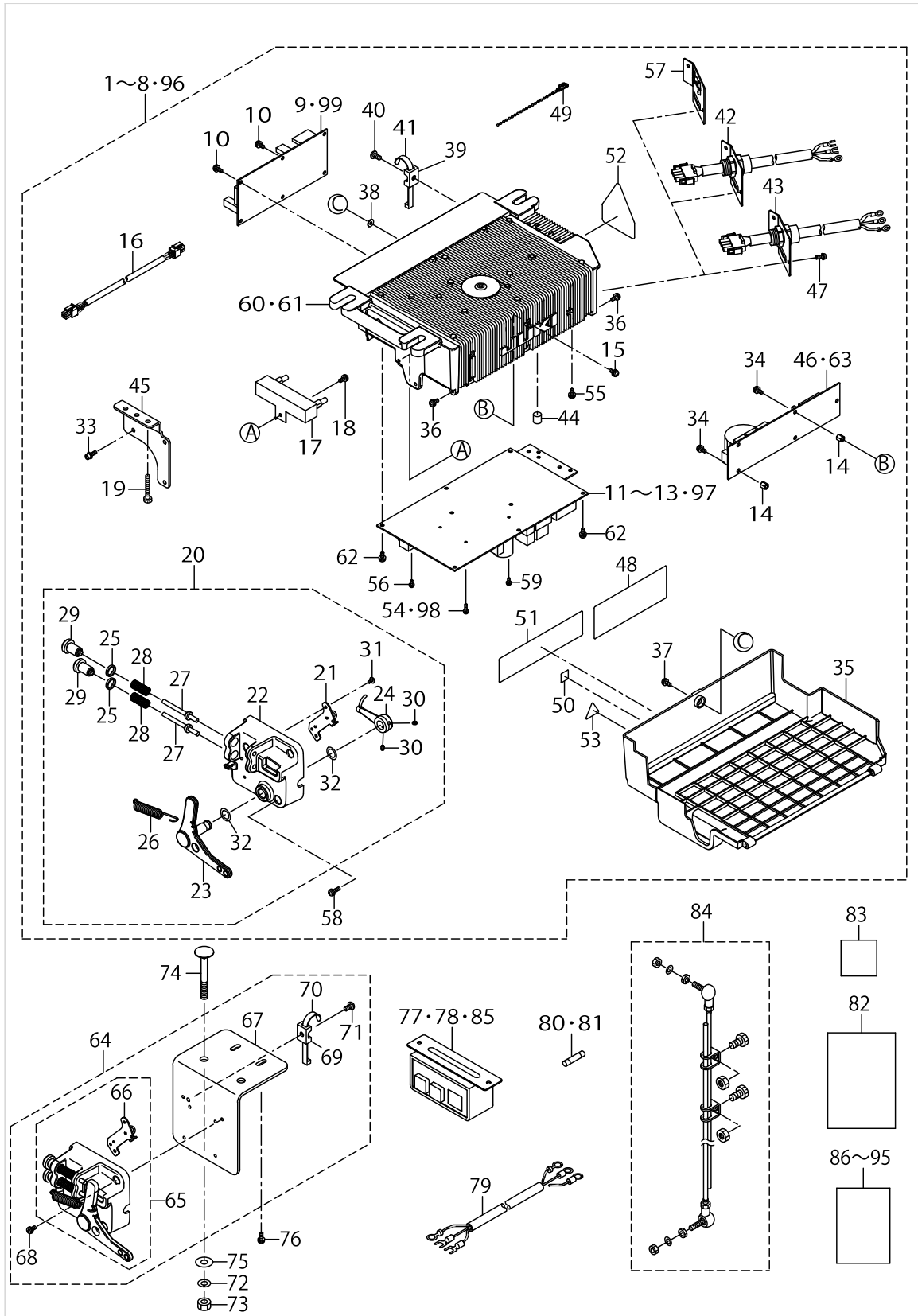
SC-920

No.	Supply Code	Parts No.	Replacement	Parts name	Remarks	Choice	Step	Level	Cons	Qty	Rep. QTY
1		40087107		PSC UNIT 1PHASE 220-240V CE PFL	FOR 1-PHASE 220~240V CE PFL (SPECIFICATIONS WITH PEDAL)					1	
2		40087114		PSC UNIT 1PHASE 220-240V PFL	FOR 1-PHASE 220~240V PFL (-SPECIFICATIONS WITH PEDAL)					1	
3		40087115		PSC UNIT 3PHASE 200-240V PFL	FOR 3-PHASE 200~240V PFL, 3-PHASE 200~240V JA PFL (SPECIFICATIONS WITH PEDAL)					1	
4		40089409		PSC UNIT 1PHASE 100-120V LA PFL	FOR 1-PHASE 100~120V LA PFL (SPECIFICATIONS WITH PEDAL)					1	
5		40094306		PSC UNIT 1PHASE 100-120V LA PFL PDL-SP	FOR 1-PHASE 100~120V LA PFL (SEPARATION SPECIFICATIONS PEDAL)					1	
6		40094307		PSC UNIT 1PHASE 220-240V CE PFL PDL-SP	FOR 1-PHASE 220~240V CE PFL (SEPARATION SPECIFICATIONS PEDAL)					1	
7		40094308		PSC UNIT 1PHASE 220-240V PFL PDL-SP	FOR 1-PHASE 220~240V PFL (-SEPARATION SPECIFICATIONS PEDAL)					1	
8		40094309		PSC UNIT 3PHASE 200-240V PFL PDL-SP	FOR 3-PHASE 200~240V PFL, 3-PHASE 200~240V JA PFL (SEPARATION SPECIFICATIONS PEDAL)					1	
9		40087119		CTL_PCB_ASSY				*		1	
10		SL4041081SC		SCREW M4 L=10				*		6	
11		40089241		PWR-CE PCB ASSY	FOR 1-PHASE 220~240V CEPFL			*		1	
12		40087129		PWR-S PCB ASSY	FOR 1-PHASE 220~240V PFL			*		1	
13		40087147		PWR-T PCB ASSY	FOR 3-PHASE 200~240V PFL, 1-PHASE 100~120V LA PFL, 3-PHASE 200~240V JA PFL			*		1	



SC-920

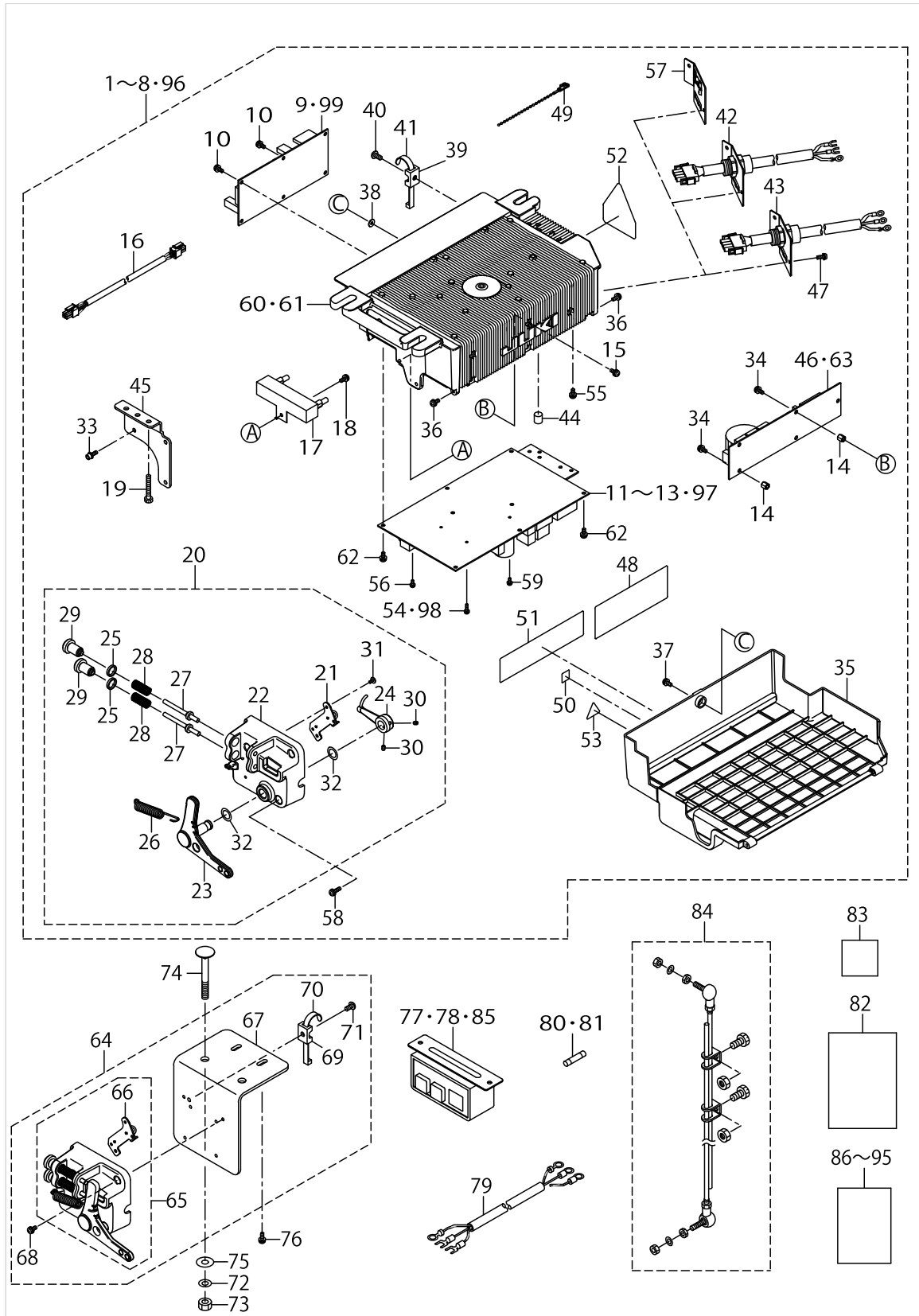
No.	Supply Code	Parts No.	Replacement	Parts name	Remarks	Choice	Step	Level	Cons	Qty	Rep. QTY
14		40088311		STUD	FOR 1-PHASE 220~240V CE PFL, 3-PHASE 200~240V PFL, 1-PHASE 100~120V LA PFL, 3-PHASE 200~240V JA PFL			*		5	
15		SL4041081SC		SCREW M4 L=10	FOR 1-PHASE 220~240V CE PFL, 3-PHASE 200~240V PFL, 1-PHASE 100~120V LA PFL, 3-PHASE 200~240V JA PFL			*		5	
16		40087153		DC POWER SUPPLY CORD ASSY				*		1	
17		40087154		RESISTANCE_A_ASSY				*		1	
18		SL4041091SC		SCREW M4 L=10				*		1	
19		ST9053511SR		TAPPING SCREW M5X35	SEPARATION SPECIFICATIONS PEDAL			*		2	
20		40087155		PEDAL_SENSOR_A_ASSY	SPECIFICATIONS WITH PEDAL			*		1	
21		40087159		SENSOR COIL HOLD A ASSY	SPECIFICATIONS WITH PEDAL			*		1	
22		40042130		PEDAL_SENSOR_BASE				*		1	
23		40087156		PEDAL_LEVER_A				*		1	
24		40042133		PEDAL_LEVER_B				*		1	
25		40006202		ADJUST_NUT				*		2	
26		40006207		FRONT_SPRING				*		1	
27		40006208		SPRING_SHAFT_A				*		2	
28		40049426		SPRING_C				*		2	
29		40006212		ADJUST_SCREW				*		2	
30		SM8040612TP		SCREW M4 L=6				*		2	
31		SV4030601SR		SCREW M3 L=6				*		2	
32		40088315		THRUST COLLAR				*		2	
33		SL6041292TN		SCREW	SEPARATION SPECIFICATIONS PEDAL			*		3	
34		SL4040681SC		COMBINATION SCREW M4X8	FOR 1-PHASE 220~240V CE PFL, 3-PHASE 200~240V PFL, 1-PHASE 100~120V LA PFL, 3-PHASE 200~240V JA PFL			*		5	
35		40087167		UNDER_COVER				*		1	
36		40087157		HINGE SCREW				*		2	
37		SL4041681SC		SCREW M4 L=16				*		1	
38		M8002430000		STOPPER				*		1	
39		KX000000210		SADDLE TYPE TIE MOUNT				*		1	



SC-920

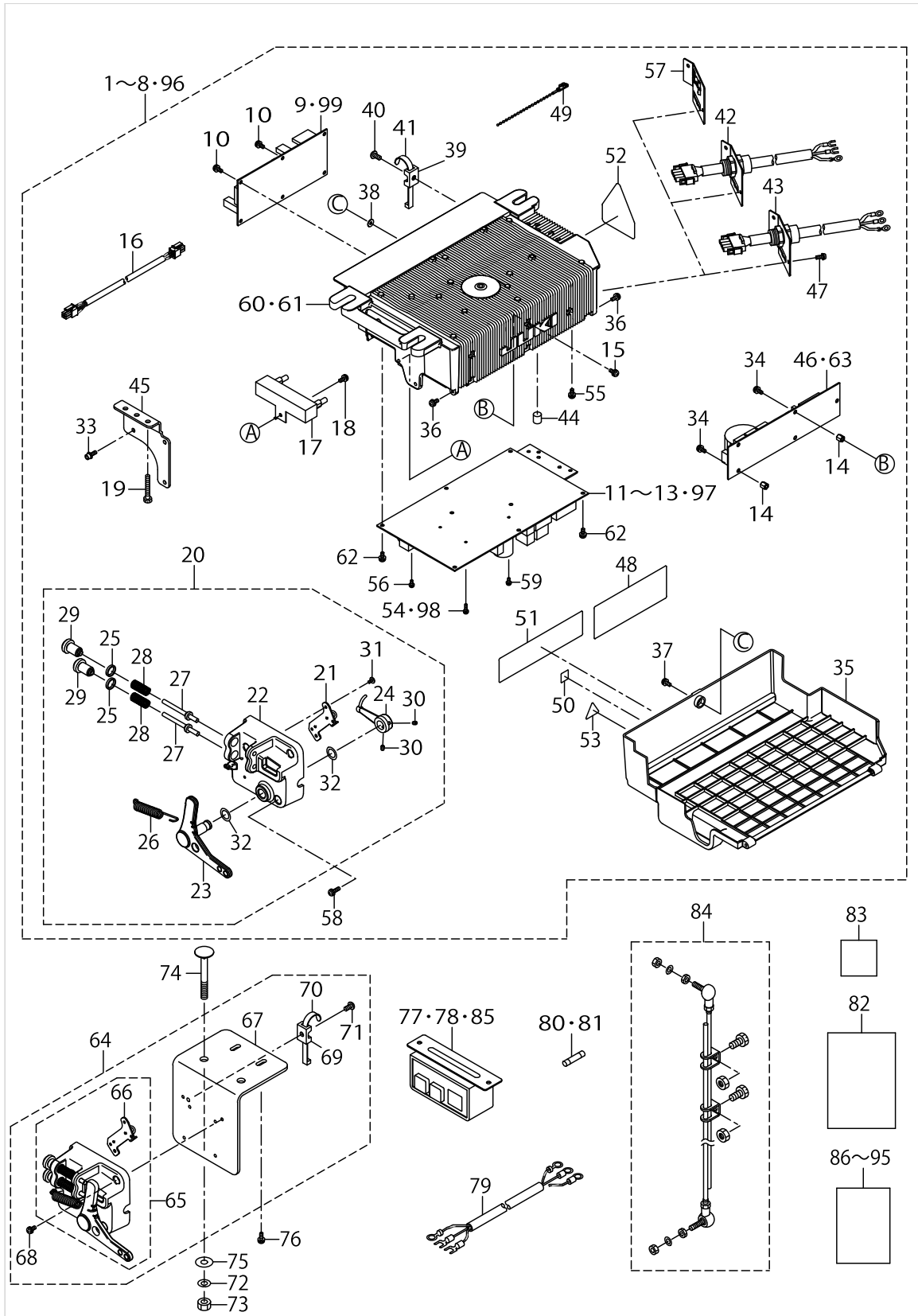
No.	Supply Code	Parts No.	Replacement	Parts name	Remarks	Choice	Step	Level	Cons	Qty	Rep. QTY
40	R	SM4051001SC	SM4051001SN	SCREW M5 L=10				*		1	1.00
41		KX000000230		RELEASIBLE CABLE TIE				*		1	
42		40088035		POWER SUPPLY PLATE ASSY CE	FOR 1-PHASE 220~240V CEPFL			*		1	
43		40089563		POWER SUPPLY PLATE ASSY LA	FOR 1-PHASE 100~120V LA PFL			*		1	
44		40088316		RUBBER_CUSHION				*		2	
45		40093424		BOX BRACKET	SEPARATION SPECIFICATIONS PEDAL			*		1	
46		40087139		FLT-T PCB ASSY	FOR 3-PHASE 200~240V PFL, 1-PHASE 100~120V LA PFL, 3-PHASE 200~240V JA PFL			*		1	
47		SL4041081SC		SCREW M4 L=10	FOR 3-PHASE 200~240V PFL, 1-PHASE 100~120V LA PFL, 3-PHASE 200~240V JA PFL			*		2	
48		CM300100402		VOLTAGE DANGER LABEL(SMALL)	FOR 1-PHASE 100~120V LA PFL, 3-PHASE 200~240V JA PFL			*		1	
49		KX000000280		BEAD BAND				*		2	
50		CM600100101		WEEE MARK LABEL S	FOR 1-PHASE 220~240V CEPFL			*		1	
51		CM300100302		VOLTAGE DANGER LABEL(SMALL)	FOR 1-PHASE 220~240V CEPFL			*		1	
52		CM300400602		VOLTAGE CAUTION LABEL L=25				*		1	
53		CM300100003		VOLTAGE WARNING LABEL(25)	FOR 1-PHASE 220~240V PFL			*		1	
54		SL4031081SC		SCREW M3 L=10				*		2	
55		SL4040881SC		SCREW M4 L=8				*		3	
56		SL4030881SC		SCREW M3 L=8				*		1	
57		40087168		HOUSING_PLATE_A	FOR 1-PHASE 220~240V PFL, 3-PHASE 200~240V PFL, 3-PHASE 200~240V JA PFL			*		1	
58		SL4041491SC		SCREW 4 L=14	SPECIFICATIONS WITH PEDAL			*		3	
59		SL4030881SC		SCREW M3 L=8	FOR 1-PHASE 220~240V PFL			*		1	
60	D	40087166		FRAME_B	FOR 1-PHASE 220~240V CEPFL, 3-PHASE 200~240V PFL, 1-PHASE 100~120V LA PFL, 3-PHASE 200~240V JA PFL			*		1	
61	D	40087165		FRAME_A	FOR 1-PHASE 220~240V PFL			*		1	





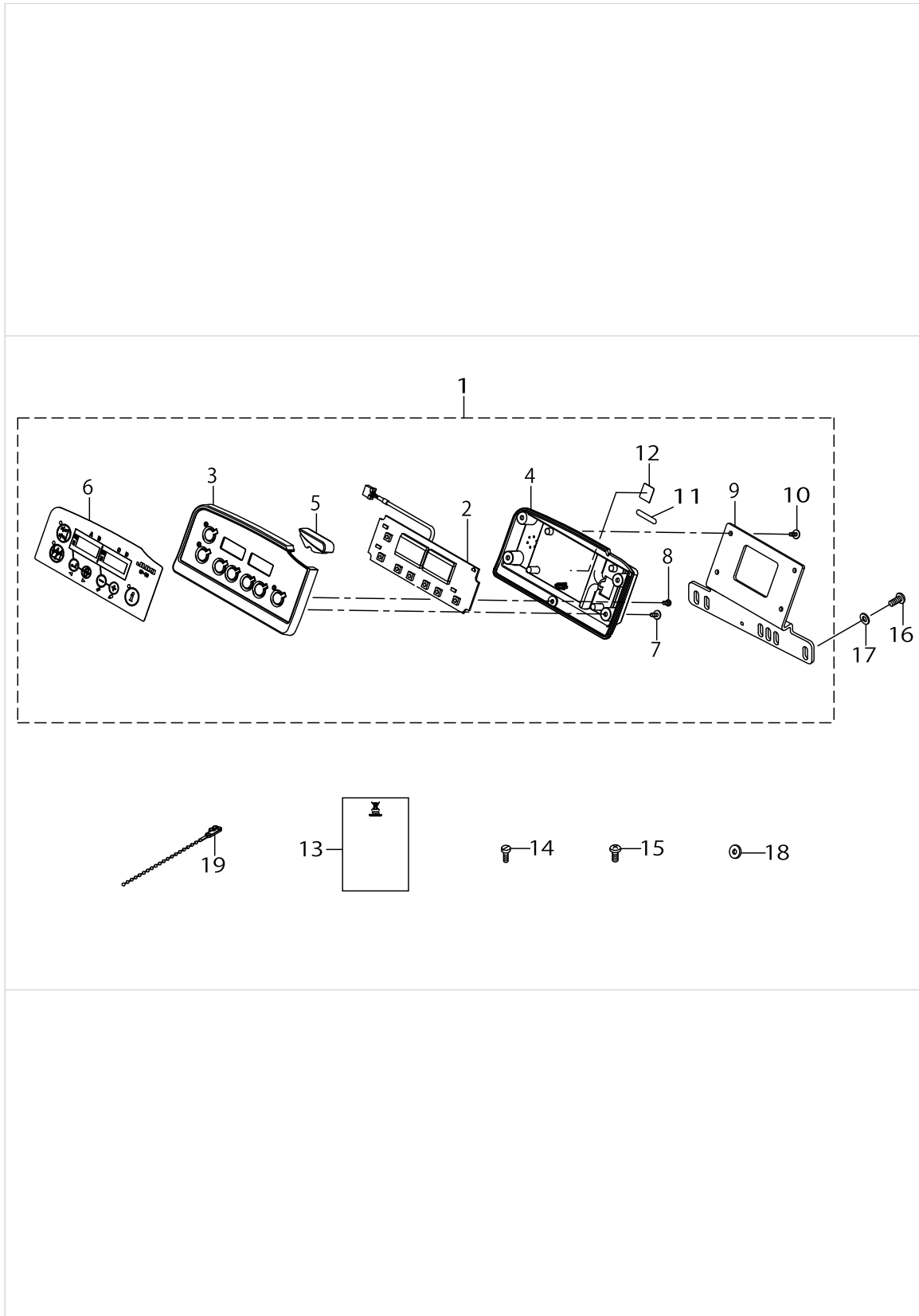
SC-920

No.	Supply Code	Parts No.	Replacement	Parts name	Remarks	Choice	Step	Level	Cons	Qty	Rep. QTY
62		SL4041081SC		SCREW M4 L=10				*		10	
63		40103079		FLT-CE PCB ASSY	FOR 1-PH-ASE 220~--240V CEPFL			*		1	
64		40094262		PEDAL SENSOR BASE ASSY	SEPARATI-ON SPECI-FICATIONS PEDAL					1	
65		40094259		PEDAL SENSOR ASM.	SEPARATI-ON SPECI-FICATIONS PEDAL			*		1	
66		40094260		SENSOR COIL HOLD ASSY	SEPARATI-ON SPECI-FICATIONS PEDAL			*		1	
67	R	40093423	40099913	SENSOR BRACKET	SEPARATI-ON SPECI-FICATIONS PEDAL			*		1	1.00
68		SL4041091SC		SCREW M4 L=10	SEPARATI-ON SPECI-FICATIONS PEDAL			*		3	
69		KX000000210		SADDLE TYPE TIE MOUNT	SEPARATI-ON SPECI-FICATIONS PEDAL			*		1	
70		KX000000230		RELEASIBLE CABLE TIE	SEPARATI-ON SPECI-FICATIONS PEDAL			*		1	
71	R	SM4051001SC	SM4051001SN	SCREW M5 L=10	SEPARATI-ON SPECI-FICATIONS PEDAL			*		1	1.00
72		WS0820002KR		SPRING WASHER M8	SEPARATI-ON SPECI-FICATIONS PEDAL					1	
73		NM6080002SC		NUT M8	SEPARATI-ON SPECI-FICATIONS PEDAL					1	
74		MTSHJ100003		BOLT	SEPARATI-ON SPECI-FICATIONS PEDAL					1	
75		WP0851846SC		WASHER 8.5X22.0X1.8	SEPARATI-ON SPECI-FICATIONS PEDAL					1	
76		SL4051291SC		SCREW M5X0.8 L=12	SEPARATI-ON SPECI-FICATIONS PEDAL					2	
77		M6101471CA0		POWER SWITCH C ASM.	FOR 1-PH-ASE 220~240V PFL					1	
78		40089414		AC POWER SUPPLY CORD D	FOR 3-PH-ASE 200~--240V JA P-FL (SPECI-FICATIONS WITH PEDAL)					1	
79		M6102461DAA		AC INPUT CABLE ASM.(CE)	FOR 1-PH-ASE 220~--240V CEPFL					1	
80		KF000000080		SLO-BLO FUSE						1	
81		KF000000030		SLO-BLO FUSE						1	
82		CM600100201		WEEE INFORMATION SHEET	FOR 1-PH-ASE 220~--240V CEPFL					1	
83		40087110		INSTRUCTION MAN-UALCD9LANGUAGES	FOR 1-PH-ASE 220~--240V CEPFL					1	
84		40088314		CONNECING ROD ASSY						1	



SC-920

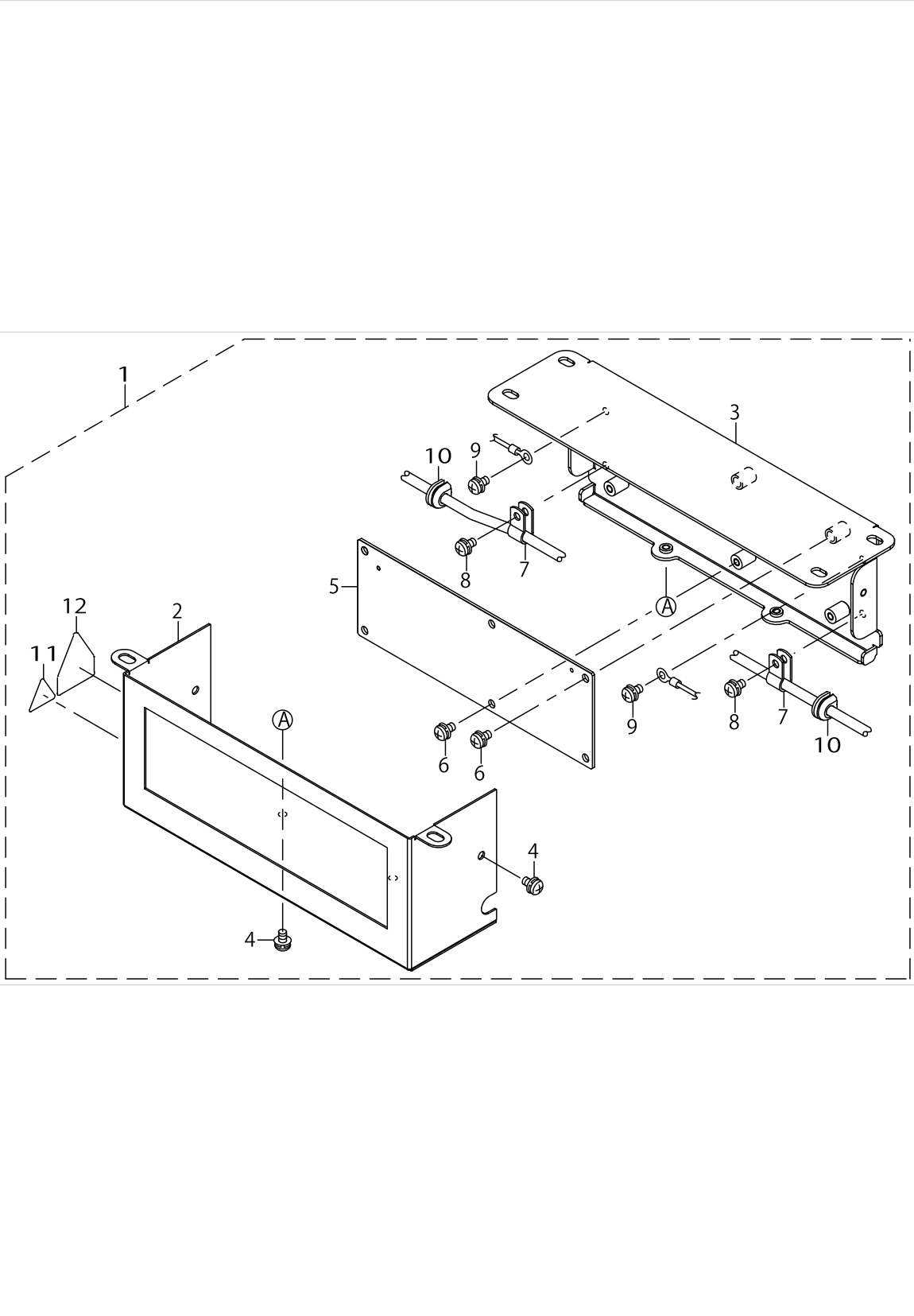
No.	Supply Code	Parts No.	Replacement	Parts name	Remarks	Choice	Step	Level	Cons	Qty	Rep. QTY
85		40049385		POWER SWITCH D ASM.	FOR 3-PHASE 200~240V JA PFL (SEPARATION SPECIFICATIONS PEDAL					1	
86		40087108		INSTRUCTION MANUAL 4LANGUAGES	FOR SC-920(EXCEPTED FOR CHINA)					1	
87		40090760		SAFETY INSTRUCTION MANUAL	FOR 1-PHASE 220~240V CEPFL					1	
88		40091952		EC DECLARATION (BOX)	FOR 1-PHASE 220~240V CEPFL					1	
89		40088647		MACHINE HEAD LIST	FOR SC-920(EXCEPTED "FOR DDL-900					1	
90		40099341		SAFETY INSTRUCTION MANUAL (CHINA)	FOR 1-PHASE 220~240V PFL CN (FOR DDL-9000B)					1	
91		40100155		SAFETY INSTRUCTION MANUAL (CHINA)	FOR 1-PHASE 220~240VPFLCN					1	
92		40087112		INSTRUCTION MANUAL 4L(CHN SALE)	FOR 1-PHASE 220~240VPFLCN					1	
93		40087116		SC-920 PART LIST	FOR SC-920(EXCEPTED FOR CHINA)					1	
94		40089410		SC-920 PART LIST CHN	FOR 1-PHASE 220~240VPFLCN					1	
95		40094278		M92 SETUP MANUAL 4L	SEPARATION SPECIFICATIONS PEDAL					1	
96		40099980		PSC UNIT (F) 1PHASE 220-240V PFL	FOR SC-920 (F) 1-PHASE 220~240V PFL					1	
97	D	40099351		PWR-S (F) PCB ASSY	FOR SC-920 (F) 1-PHASE 220~240V PFL			*		1	
98		SL4031291SC		SCREW M3X12	FOR SC-920 (F) 1-PHASE 220~240V PFL			*		2	
99		40162967		CTL PCB ASSY CE	FOR 1-PHASE 220~240V CEPFL			*		1	



CP-18 TYPE A

No.	Supply Code	Parts No.	Replacement	Parts name	Remarks	Choice	Step	Level	Cons	Qty	Rep. QTY
1		40088334		CP-18 TYPE A						1	
2		40088126		CP PCB ASSY				*		1	
3		40088347		FRONT_CASE				*		1	
4		40088348		REAR_CASE				*		1	
5		40088349		INDICATOR				*		1	
6		40088351		PANEL SHEET				*		1	
7	D	SV4030802SN		TAPPING SCREW W- ITH FLANGE M3X8				*		4	
8	D	ST4030651SN		SCREW M3X6				*		1	
9		40088350		PANEL BRACKET_A				*		1	
10	D	SV4030802SN		TAPPING SCREW W- ITH FLANGE M3X8				*		4	
11		40044616		TYPE LABEL A				*		1	
12		CM600100101		WEEE MARK LABEL S	TYPE CE			*		1	
13		CM600100201		WEEE INFORMATION SHEET						1	
14		SS6111210SP		SCREW11/64-40L=12						2	
15		SS4121215SP		SCREW 3/16-28 L=12						2	
16		SM4051255SP		SCREW M5 L=12						2	
17		WP0501016SD		WASHER 5X10.5X1						4	
18		B1144771000		FRAME SIDE COVER GASKET (C)						4	
19		KX000000280		BEAD BAND						1	

REACTOR BOX 1P (FOR CE)



REACTOR BOX 1P (FOR CE)

No.	Supply Code	Parts No.	Replacement	Parts name	Remarks	Choice	Step	Level	Cons	Qty	Rep. QTY
1		40161412		REACTOR BOX ASSY 1P						1	
2		40161413		REACTOR_BOX_COVER_A_ASSY				*		1	
3		40161414		REACTOR BOX BASE				*		1	
4		SL4040881SC		SCREW M4 L=8				*		4	
5		40161421		REACTOR PCB ASSY 1P				*		1	
6		SL4040881SC		SCREW M4 L=8				*		6	
7		HX00150000B		CABLE CLAMP				*		2	
8		SL4040881SC		SCREW M4 L=8				*		2	
9		SL4040881SC		SCREW M4 L=8				*		2	
10		M1013110000		CORD BUSH A				*		2	
11		CM300100003		VOLTAGE WARNING LABEL (25)				*		1	
12		CM300400602		VOLTAGE CAUTION LABEL L=25				*		1	



## HOW TO MAKE USE OF THIS PARTS LIST

1.As to "#01" and "#02" refer to the "Note" given at the bottom of the respective pages.

2.Codes on the "Qty" column

- Each numeral indicates the number of parts required.
- "0.1" and "2.5" indicate the length (in meters) of the respective parts.

3.Parentheses mean that the corresponding part is a subpart that constructs an assembly part.

4.Dotted lines on the Figures indicate assembly parts.

1. リストページの# 0 1、# 0 2の印は、ページ下の"注記"の説明を参照下さい。
2. 数量欄の数字は、個数を表し、0. 1、2. 5等の数値は、長さ（単位メートル）を表します。
3. 数量欄の（ ）は、組部品を構成している子部品であることを意味します。
4. イラストページの-----枠は、組構成であることを意味します。

NUMERICAL INDEX OF PARTS

PART NO	PAGE	REF NO.	PART NO	PAGE	REF NO.	PART NO	PAGE	REF NO.
40006202	4	25	40089241	2	11~ 13·97	KX000000230	8	70
40006207	4	26	40089409	2	1~8·96	KX000000280	6	49
40006208	4	27	40089410	10	86~95	KX000000280	12	19
40006212	4	29	40089414	8	77·78·85	M1013110000	14	10
40042130	4	22	40089563	6	43	M6101471CA0	8	77·78·85
40042133	4	24	40090760	10	86~95	M6102461DAA	8	79
40044616	12	11	40091952	10	86~95	M8002430000	4	38
40049385	10	77·78·85	40093423	8	67	MTSHJ100003	8	74
40049426	4	28	40093424	6	45	NM6080002SC	8	73
40087107	2	1~8·96	40094259	8	65	SL4030881SC	6	59
40087108	10	86~95	40094260	8	66	SL4031081SC	6	54·98
40087110	8	83	40094262	8	64	SL4031291SC	10	54·98
40087112	10	86~95	40094278	10	86~95	SL4040681SC	4	34
40087114	2	1~8·96	40094306	2	1~8·96	SL4040881SC	6	55
40087115	2	1~8·96	40094307	2	1~8·96	SL4040881SC	14	9
40087116	10	86~95	40094308	2	1~8·96	SL4041081SC	2	62
40087119	2	9·99	40094309	2	1~8·96	SL4041081SC	4	62
40087129	2	11~ 13·97	40099341	10	86~95	SL4041081SC	6	62
40087139	6	46·63	40099351	10	11~ 13·97	SL4041081SC	8	62
40087147	2	11~ 13·97	40099980	10	1~8·96	SL4041091SC	4	68
40087153	4	16	40100155	10	86~95	SL4041091SC	8	68
40087154	4	17	40100379	8	46·63	SL4041491SC	6	58
40087155	4	20	40161412	14	1	SL4041681SC	4	37
40087156	4	23	40161413	14	2	SL4051291SC	8	76
40087157	4	36	40161414	14	3	SL6041292TN	4	33
40087159	4	21	40161421	14	5	SM4051001SC	6	71
40087165	6	60·61	40162967	10	9·99	SM4051001SC	8	71
40087166	6	60·61	B1144771000	12	18	SM4051255SP	12	16
40087167	4	35	CM300100003	6	53	SM8040612TP	4	30
40087168	6	57	CM300100003	14	11	SS4121215SP	12	15
40088035	6	42	CM300100302	6	51	SS6111210SP	12	14
40088126	12	2	CM300100402	6	48	ST4030651SN	12	8
40088311	4	14	CM300400602	6	52	ST9053511SR	4	19
40088314	8	84	CM300400602	14	12	SV4030601SR	4	31
40088315	4	32	CM600100101	6	50	SV4030802SN	12	10
40088316	6	44	CM600100101	12	12	WP0501016SD	12	17
40088334	12	1	CM600100201	8	82	WP0851846SC	8	75
40088347	12	3	CM600100201	12	13	WS0820002KR	8	72
40088348	12	4	HX00150000B	14	7			
40088349	12	5	KF000000030	8	80·81			
40088350	12	9	KF000000080	8	80·81			
40088351	12	6	KX000000210	4	69			
40088647	10	86~95	KX000000210	8	69			
			KX000000230	6	70			