

MODEL : AMS-221EN/IP-420

List No : 1543-06

# PARTS LIST

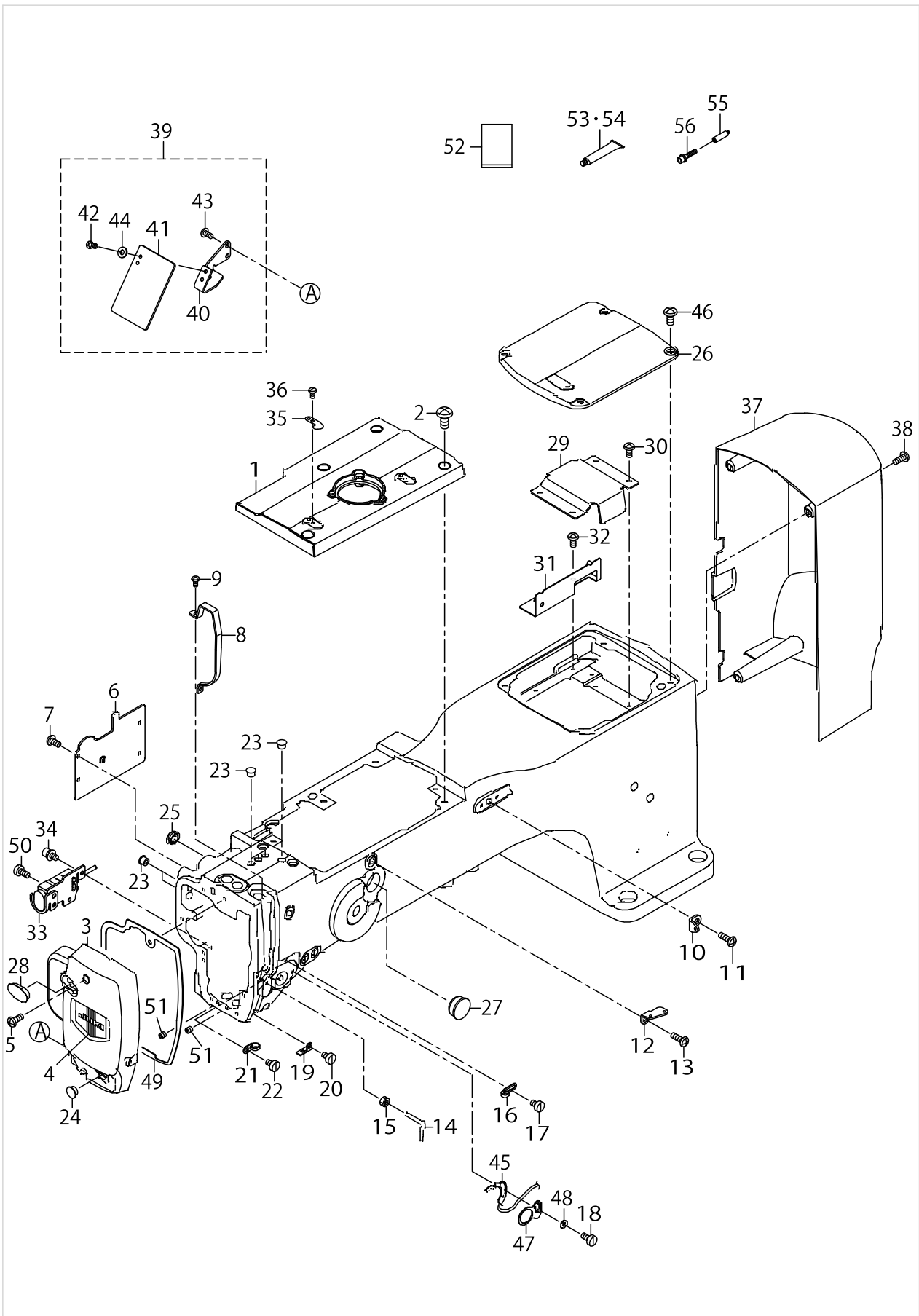
Published:05/12/2017

## CONTENTS

---

FRAME & MISCELLANEOUS COVER COMPONENTS (1) .....	1
FRAME & MISCELLANEOUS COVER COMPONENTS (2) .....	5
FRAME & MISCELLANEOUS COVER COMPONENTS (3) .....	9
FRAME & MISCELLANEOUS COVER COMPONENTS (4) .....	13
MAIN SHAFT & NEEDLE BAR COMPONENTS .....	15
PRESSER MECHANISM & PRESSER VARIABLE COMPONENTS (1) .....	21
PRESSER MECHANISM & PRESSER VARIABLE COMPONENTS (2) .....	25
SHUTTLE DRIVER SHAFT COMPONENTS .....	29
WIPER MECHANISM COMPONENTS .....	33
TENSION RELEASE & THREAD TENSION COMPONENTS .....	35
THREAD TRIMMER MECHANISM COMPONENTS .....	39
THREAD CLAMP COMPONENTS .....	43
X-Y COMPONENTS (1) .....	47
X-Y COMPONENTS (2) .....	51
CLOTH FEED MECHANISM COMPONENTS (1) .....	55
CLOTH FEED MECHANISM COMPONENTS (2) .....	59
TABLE COMPONENTS .....	61
PNEUMATIC COMPONENTS .....	67
THREAD STAND COMPONENTS .....	69
OPERATION PANEL COMPONENTS .....	71
CONTROL BOX COMPONENTS .....	75
WIRING DIAGRAM .....	79
PEDAL COMPONENTS .....	83
ACCESSORIE PART COMPONENTS .....	85
OPTIONAL PARTS .....	87
LIST FOR INFORMATION OF CHANGE .....	89
HOW TO MAKE USE OF THIS PARTS LIST .....	90

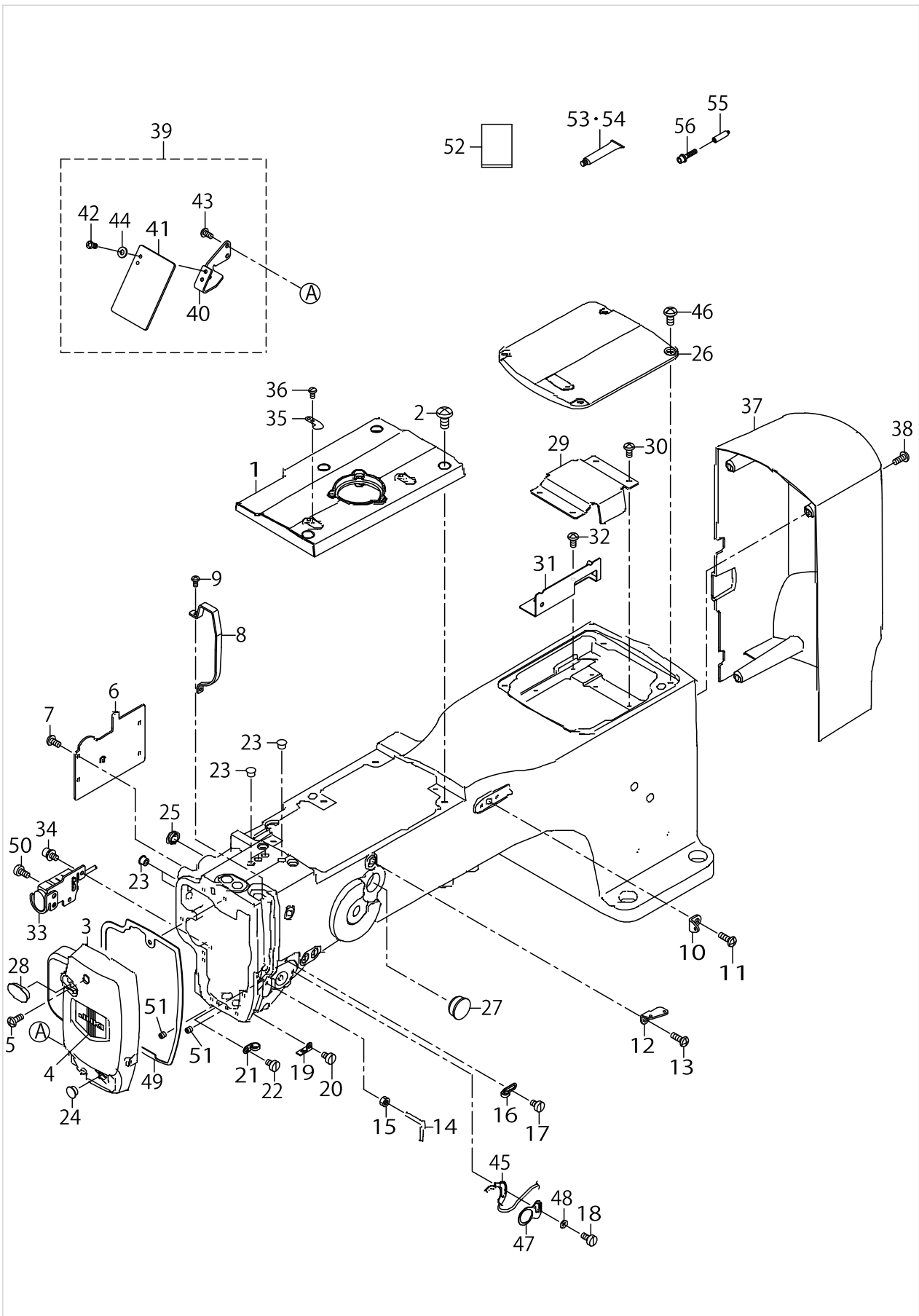
FRAME & MISCELLANEOUS COVER COMPONENTS (1)



FRAME & MISCELLANEOUS COVER COMPONENTS (1)

No.	Supply Code	Parts No.	Replacement	Parts name	Remarks	Choice	Step	Level	Cons	Qty	Rep. QTY
1		40032158		TOP_COVER_FRONT						1	
2		SM4061255SP		SCREW M6 L=12						4	
3		40026979		FACE_COVER						1	
4		22902506		FACE PLATE						1	
5		SM4041055SP		SCREW						2	
6		40024999		PRESSER_COVER						1	
7		SM4040855SP		SCREW						4	
8		40030828		THREAD_TAKE_UP_LEVER_COVER						1	
9		SM4030601SN		SCREW M3X6						2	
10		40010414		THREAD_GUIDE_NO.1						1	
11		SM4061255SP		SCREW M6 L=12						1	
12		26211904		THREAD GUIDE PLATE						1	
13		SM4061255SP		SCREW M6 L=12						1	
14		40025414		L_SHAPED_THREAD_GUIDE						1	
15		NM6040000SN		NUT M4						1	
16		22920508		ARMTHREADGUIDEA						1	
17		SM6040650TP		SCREW						1	
18		SM6040860TP		SCREW M4 L=8						1	
19		B1129210000		FRAME THREAD GUIDE (B)						1	
20		SM6040650TP		SCREW						1	
21		13705108		TAKE-UP THREAD GUIDE B						1	
22		SM6040650TP		SCREW						1	
23		TA0850604R0		RUBBER PLUG						6	
24		TA1050504R0		RUBBER PLUG						2	
25		TA1250406R0		RUBBER PLUG D=12.5 L=4						1	
26		40032159		TOP_COVER_REAR						1	
27		TA2351004R0		RUBBER PLUG						1	
28		40028877		FACE_COVER_CAP						1	
29		40010405		CRANK_ROD_COVER						1	
30		SM4040855SP		SCREW						4	
31		40084115		GREASE PLATE						1	
32		SM4040855SP		SCREW						2	
33		40040242		STOP SW ASM						1	
34		SL6040892TN		BOLT						1	
35		10502300		THREAD CUTTER						1	
36		SM4030601SN		SCREW M3X6						1	
37		40027971		MOTOR_COVER						1	
38		SM4041055SP		SCREW						4	
39		40006484		SAFETY PLATE COMPL.						1	
40		40051987		SAFETY PLATE BASE				*		1	
41	R	B3120372000	26037200	SAFETY PLATE				*		1	1.00
42		SM4040655SP		SCREW M4 L=6				*		2	
43		SM4040855SP		SCREW				*		2	
44		WP0450801SD		WASHER 4.5X10X0.8				*		2	
45		40040225		THB SENSOR CABLE ASM						1	
46		SM4051055SP		SCREW						4	

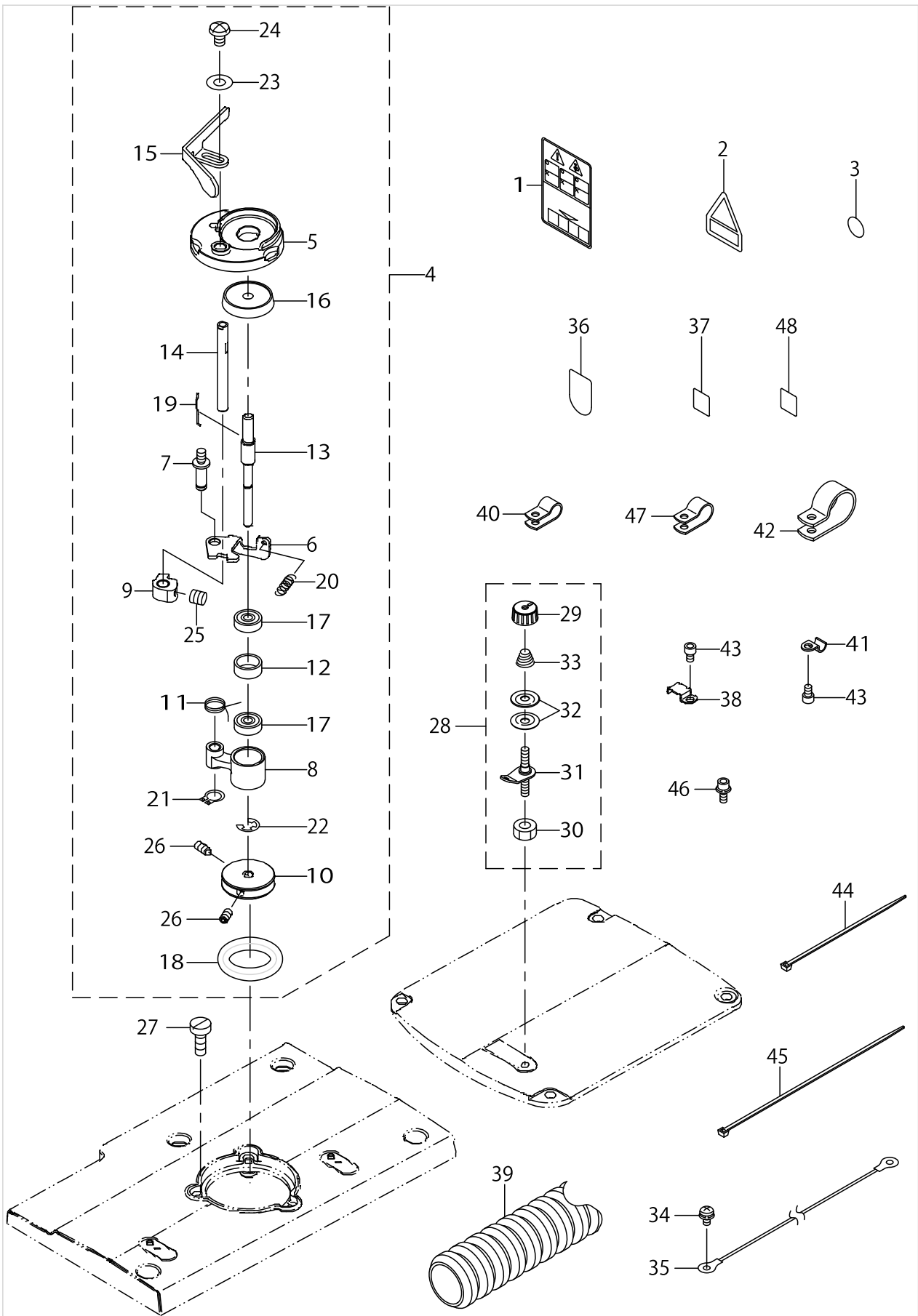
FRAME & MISCELLANEOUS COVER COMPONENTS (1)



FRAME & MISCELLANEOUS COVER COMPONENTS (1)

No.	Supply Code	Parts No.	Replacement	Parts name	Remarks	Choice	Step	Level	Cons	Qty	Rep. QTY
47		40028834		GUIDE_PLATE						1	
48		40028835		BUSHING						1	
49		40050509		FACE PLATE CUSHION						1	
50		SM6040860TP		SCREW M4 L=8						1	
51		SM8040412TP		SET SCREW M4 L=4						2	
52		40031336		FLAT_BAG						1	
53		40013640		JUKI_GREASE_B_TUBE					☆	1	
54		40006323		JUKI GREASE A TUBE						1	
55		40036110		GREASE_JOINT_B						1	
56		SL6084092TN		BOLT						1	

FRAME & MISCELLANEOUS COVER COMPONENTS (2)

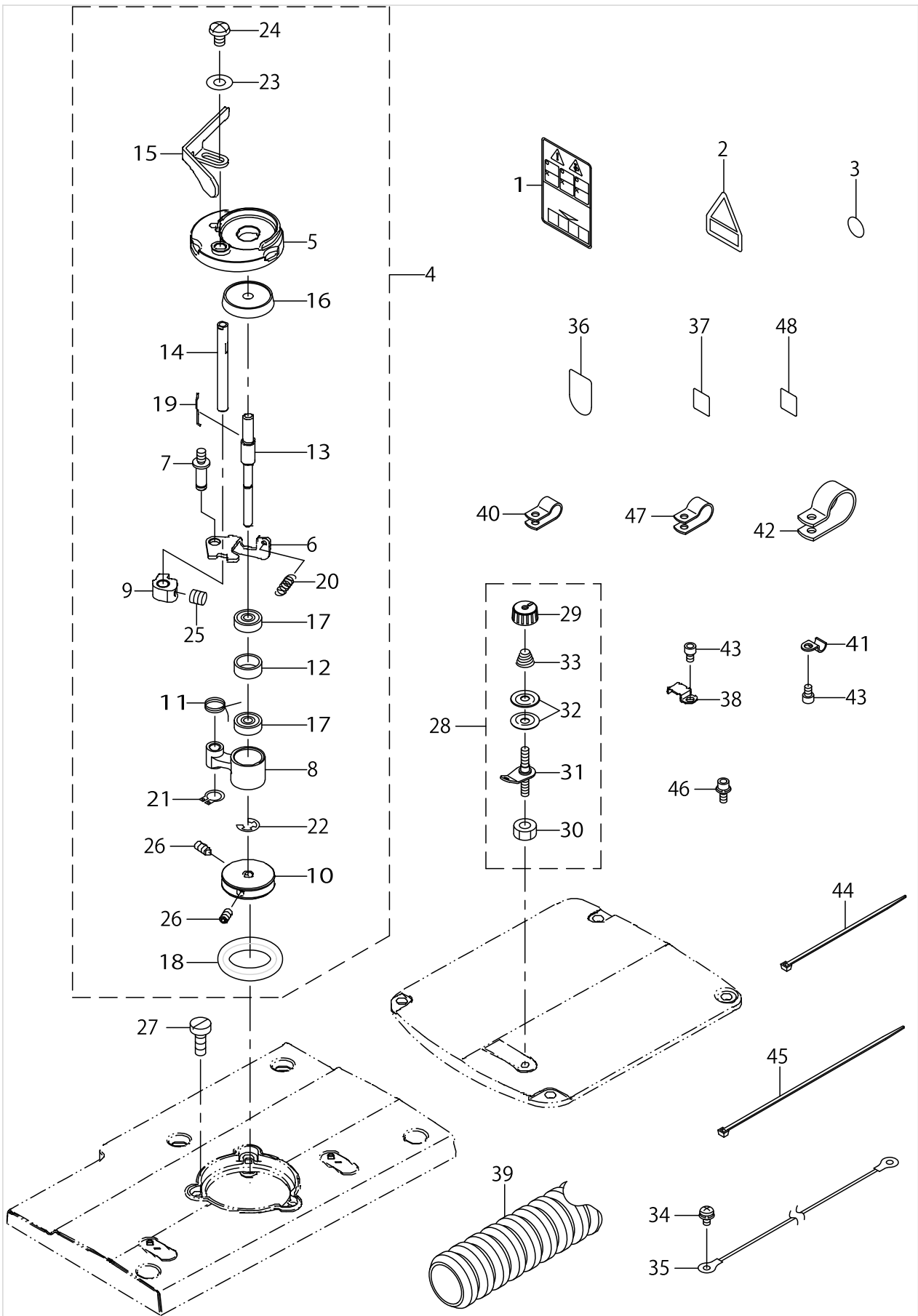


FRAME & MISCELLANEOUS COVER COMPONENTS (2)

No.	Supply Code	Parts No.	Replacement	Parts name	Remarks	Choice	Step	Level	Cons	Qty	Rep. QTY
1		CM301200001		SAFETY LABEL_S						1	
2		CM300200003		ATTENTION LABEL						1	
3		22901805		GROUND MARK						1	
4		40028338		BOBBIN_WINDER_UNIT						1	
5	R	26260109	26260000	BTW_BASE				*		1	1.00
6		26260208		BTW_CAM_PLATE				*		1	
7		26260307		BTW_BASE_SHAFT				*		1	
8		26260406		BTW_SHAFT_BASE				*		1	
9		26260505		BTW_CAM_LEVER				*		1	
10		26260604		BTW_WHEEL				*		1	
11		26260703		BTW_TORSION_SPRING				*		1	
12	R	26260802	26260000	BTW_BEARING_SPACER				*		1	1.00
13		40023865		BTW_SHAFT				*		1	
14	D	40023866		BTW_LEVER_SHAFT				*		1	
15		40030829		BTW_LEVER				*		1	
16		26261206		BTW_SPACER				*		1	
17	R	26261305	26260000	BTW_BEARING				*		2	1.00
18		26261503		BTW_WHEEL_RUBBER				*		1	
19		26261602		BOBBIN_SPRING				*		1	
20		26261701		BTW_SPRING				*		1	
21		RC0560711KP		RETAINING RING				*		1	
22		RE0400000K0		E-RING 4				*		1	
23		WP0450826SC		WASHER 4.5X10X0.8				*		1	
24		SM5040655SN		SCREW				*		1	
25		SM8050502TP		SCREW M5 L=5				*		1	
26		SM8040802TP		SCREW M4X8				*		2	
27		SM6041150TP		SCREW						3	
28		14113468		BOBBIN THREAD TENSION ASM.						1	
29		11072402		THREAD TENSION NUT				*		1	
30		NS6110310SP		NUT 11/64-40				*		1	
31		14113450		BOBBIN THREAD T- ENSION ROD ASM.				*		1	
32	R	B3126012000	22921506	THREAD TENSION DISK				*		2	1.00
33		D7133555B00		CONNECTING ROD SPRING				*		1	
34		SL4040891SC		SCREW M4 L=8						1	
35		40005712		EARTH CODE ASM						1	
36		CM100100001		OIL INJECTION PR- OHIBITION LABEL						1	
37		CM600100101		WEEE MARK LABEL S	FOR JE					4	
38		B3509210000		OIL TUBE HOLDER C						6	
39		HX00307000E		TUBE						.45	
40		HX00150000C		CABLE BAND						1	
41		B3538112000		OIL RETURN TUBE HOLDER						3	
42		HX00150000K		CABLE CLIP						1	
43		SM6040602TP		SCREW M4 L=6						9	
44		EA9500B0100		CABLE BAND						6	
45		EA9500B0200		CABLE BAND 150						6	



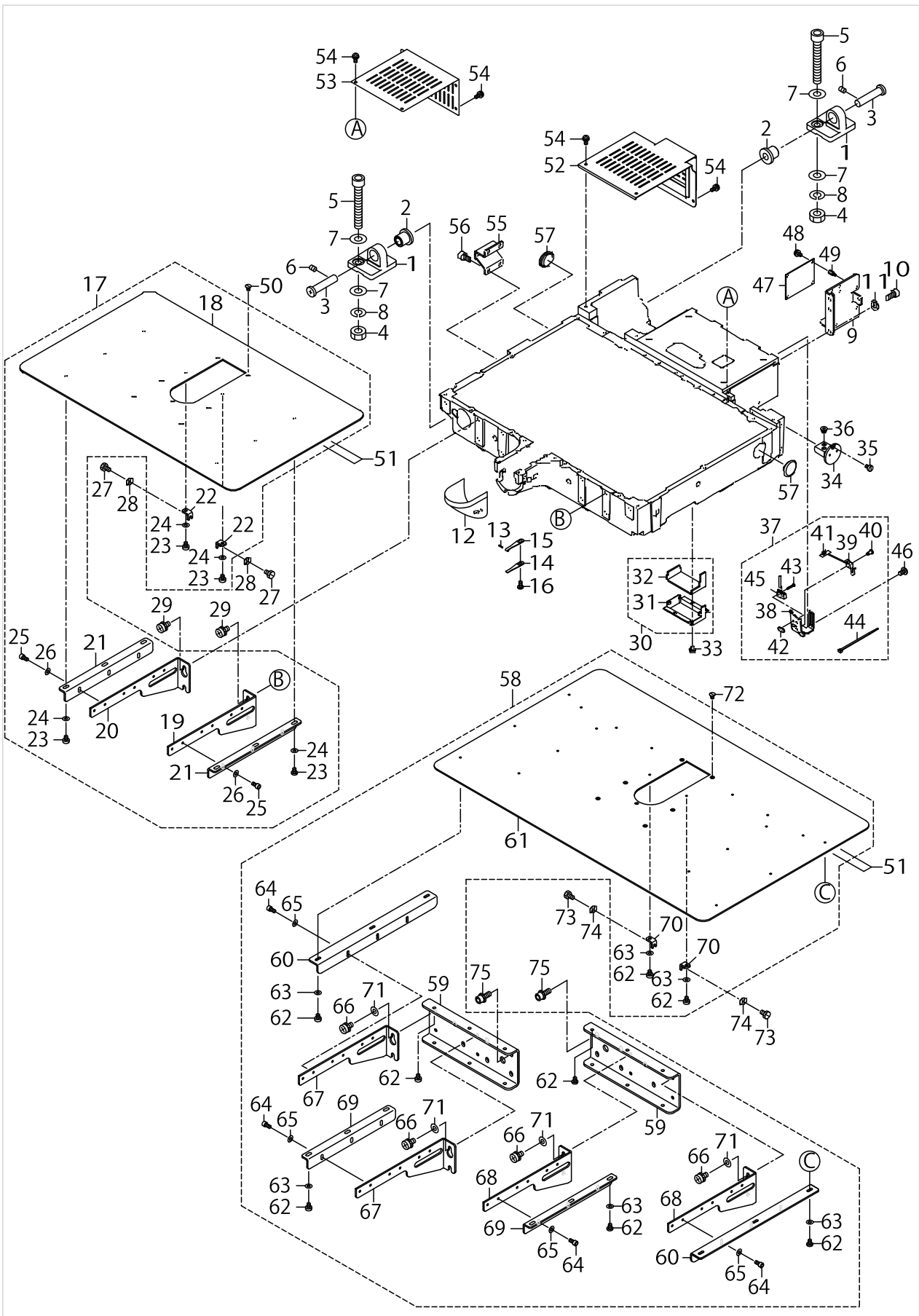
FRAME & MISCELLANEOUS COVER COMPONENTS (2)



FRAME & MISCELLANEOUS COVER COMPONENTS (2)

No.	Supply Code	Parts No.	Replacement	Parts name	Remarks	Choice	Step	Level	Cons	Qty	Rep. QTY
46		SL6041092TN		SCREW						2	
47		HX00150000D		CABLE CLIP						5	
48		40150131		EAC_MARK_LABEL_S	FOR JE					1	

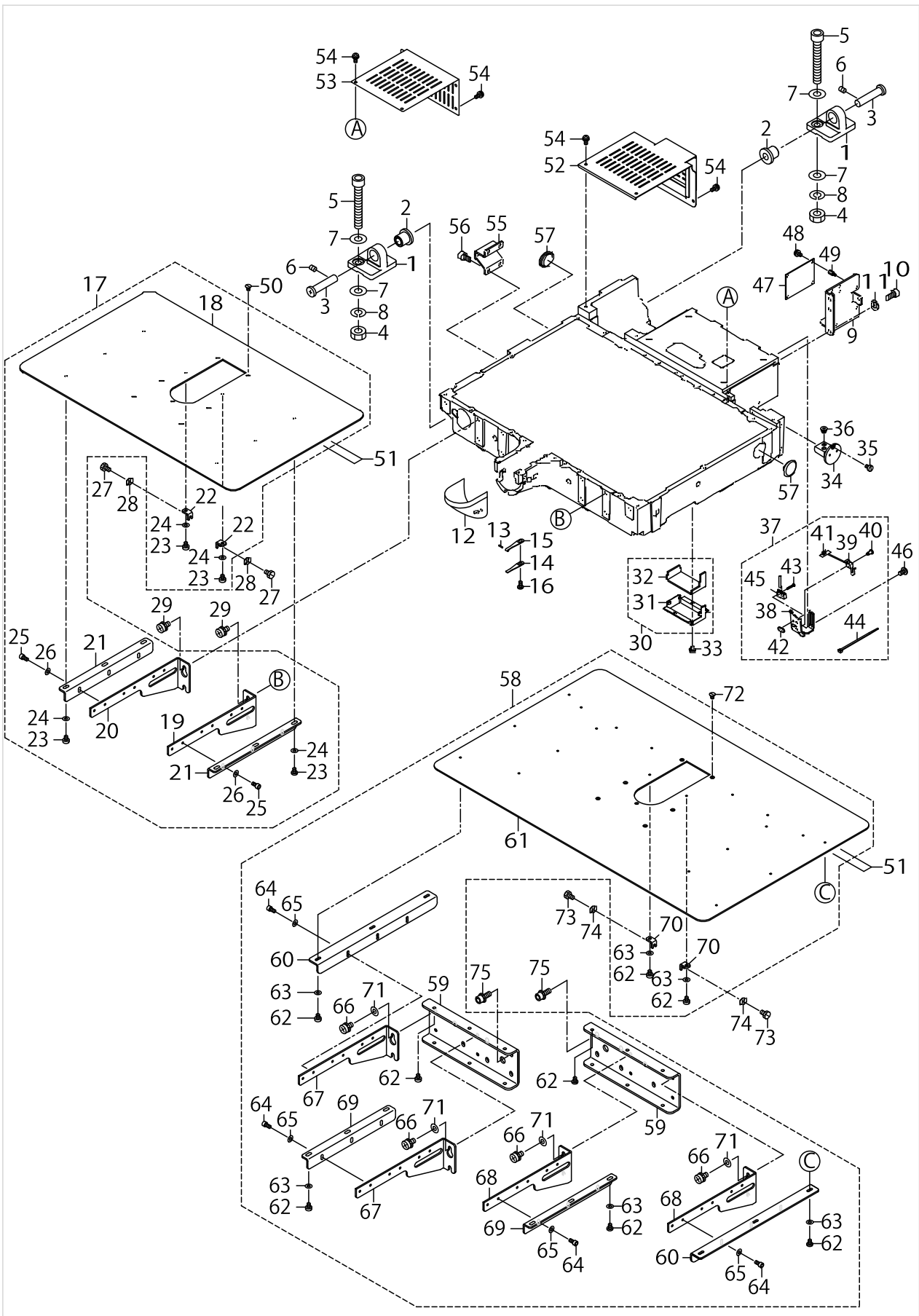
FRAME & MISCELLANEOUS COVER COMPONENTS (3)



FRAME & MISCELLANEOUS COVER COMPONENTS (3)

No.	Supply Code	Parts No.	Replacement	Parts name	Remarks	Choice	Step	Level	Cons	Qty	Rep. QTY
1		B1111215000		BED HINGE						2	
2		B1115215000		BED HINGE RUBBER PAD						2	
3		B2529232000		FEED ACROSS REG- ULATOR SHAFT						2	
4		NM6100001SD		NUT M10						4	
5	D	SM6107002TP		SCREW M10 L=70						4	
6		SM8060812TP		SCREW M6 L=8						4	
7		WP1052001SC		WASHER 10.5X21X2						8	
8		WS1020002KN		SPRING WASHER M10						4	
9		40024997		LIFTER_BASE						1	
10		SM6061202TP		SCREW M6 L=12						2	
11		WP0651001SC		WASHER						2	
12	R	13816855	40142674	CYLINDER ARM CAP						1	1.00
13		31262801		PIN						1	
14		26221200		HOOK COVER PRESSER SPRING B						1	
15		26221101		HOOK COVER PRESSER SPRING A						1	
16		SM5040855SN		SCREW						1	
17		40090330		NEEDLE_PLATE_SU- Pपोर्ट_COVER_ASM	FOR AMS-- 221EN-2516					1	
18		40032173		NEEDLE_PLATE_SUPPORT_COVER				*		1	
19		40039546		COVER_SUPPORT_R				*		1	
20		40039547		COVER_SUPPORT_L				*		1	
21		B1132223C00		COVER BASE				*		2	
22		40086367		COVER SUPPORT B				*		2	
23		SM6450610TP		SCREW				*		8	
24		WP0450801SP		WASHER				*		8	
25		SM6040802TP		SCREW M4X0.7 L=8				*		6	
26		WP0450801SP		WASHER				*		6	
27		SM9050850SP		SCREW						2	
28		WP0520656SA		WASHER 5.2X9.5X0.6						2	
29		SL9061291SE		WASHER HEXAGON- AL BOLT M6 L=12	FOR AMS-- 221EN-2516					4	
30		40026829		GEAR_COVER_ASM.						1	
31	R	40026830	40026829	GEAR_COVER				*		1	1.00
32	D	40026831		GEAR_COVER_FELT				*		1	
33		SL4040681SC		COMBINATION SCREW M4X8						2	
34		40006836		OIL TANK ASM.						1	
35		SM6040650TP		SCREW						1	
36		40006840		RUBBER BUSH						2	
37		40033182		SAFETY_SW_ASM						1	
38		40033183		SAFETY_SW_BASE				*		1	
39		23638109		SAFETY SWITCH ARM				*		1	
40	R	40006497	40006495	SAFETY_SW_ARM_SHAFT				*		1	1.00
41	R	23638208	23638059	SAFETY SWITCH SPRING				*		1	1.00
42	R	23638406	23638059	SAFETY SWITCH NUT				*		1	1.00
43		SM4021201SC		SCREW M2 L=12				*		2	
44		EA9500B0100		CABLE BAND				*		1	
45	D	40029633		SAFETY SW CORD ASM				*		1	

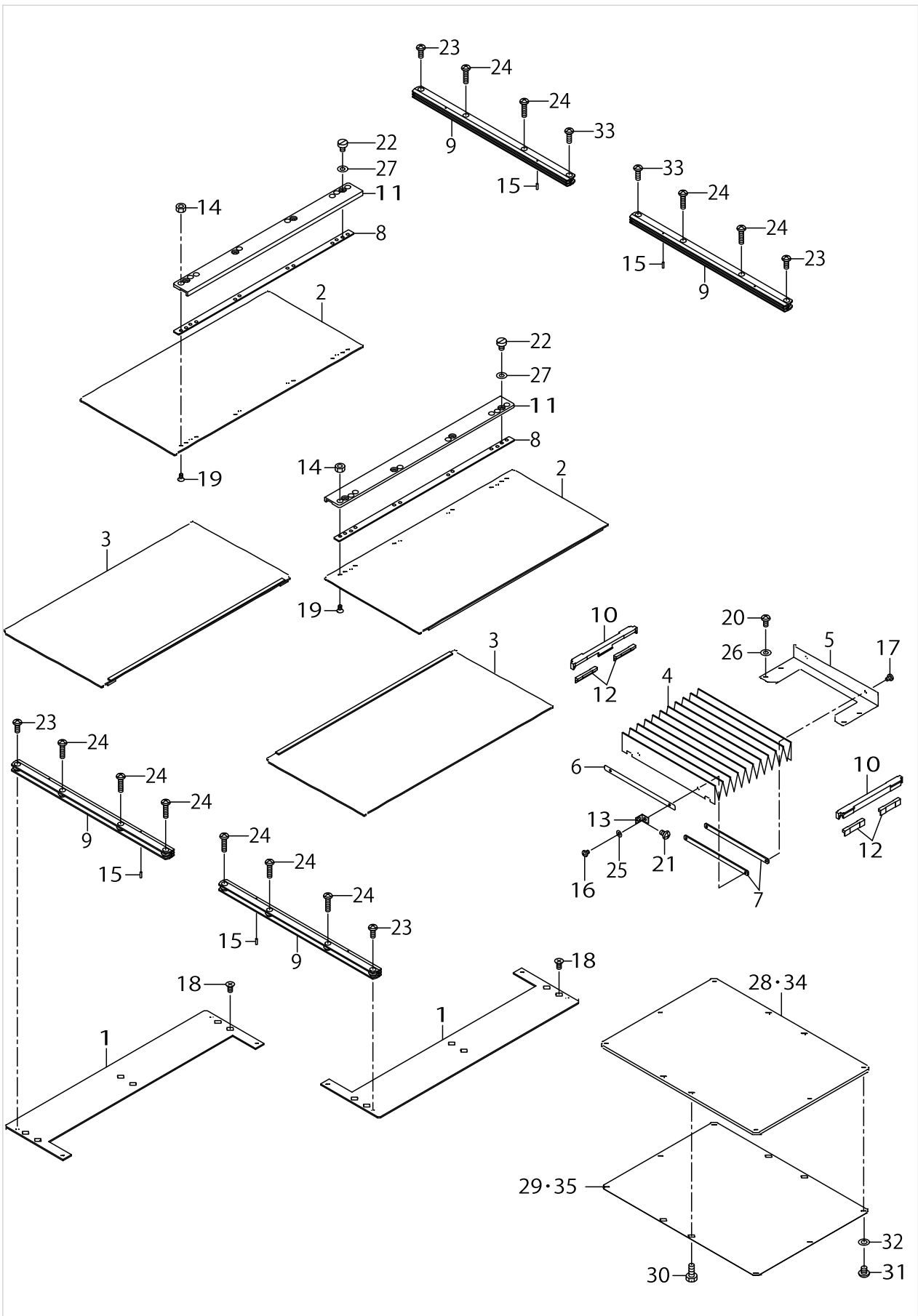
FRAME & MISCELLANEOUS COVER COMPONENTS (3)



FRAME & MISCELLANEOUS COVER COMPONENTS (3)

No.	Supply Code	Parts No.	Replacement	Parts name	Remarks	Choice	Step	Level	Cons	Qty	Rep. QTY
46		SM4050855SP		SCREW						1	
47		40040230		INT PCB ASM						1	
48		SL4040891SC		SCREW M4 L=8						4	
49		HX003390000		STUD						4	
50		SM1040650TP		SCREW						2	
51		40051501		TAPE						1	
52		40057380		BED_COVER_LEFT_ASM.	FOR AMS-- 221EN-2516					1	
53		40032161		BED_COVER_RIGHT						1	
54		SL4041091SC		SCREW M4 L=10						8	
55		B1116215000		FRAME SUPPORT						1	
56		SM6061002TP		SCREW M6 L=10						4	
57		B8267180000		RUBBER PLUG						2	
58		40090331		NEEDLE_PLATE_SU- Pपोर्ट_COVER_ASM						1	
59		40051499		COVER_SUPPORT_BASE				*		2	
60		40051502		COVER_BASE				*		2	
61		40032174		NEEDLE_PLATE_SUPPORT_COVER				*		1	
62		SM6450610TP		SCREW				*		18	
63		WP0450801SP		WASHER				*		12	
64		SM6040802TP		SCREW M4X0.7 L=8				*		12	
65		WP0450801SP		WASHER				*		12	
66		SL9061291SE		WASHER HEXAGON- AL BOLT M6 L=12				*		8	
67		40039547		COVER_SUPPORT_L				*		2	
68		40039546		COVER_SUPPORT_R				*		2	
69		B1132223C00		COVER BASE				*		2	
70		40086367		COVER SUPPORT B				*		2	
71		WP0612056SD		WASHER 6.1X18.5X2				*		8	
72		SM1040650TP		SCREW						2	
73		SM9050850SP		SCREW						2	
74		WP0520656SA		WASHER 5.2X9.5X0.6						2	
75		SL6061692TN		BOLT						10	

FRAME & MISCELLANEOUS COVER COMPONENTS (4)

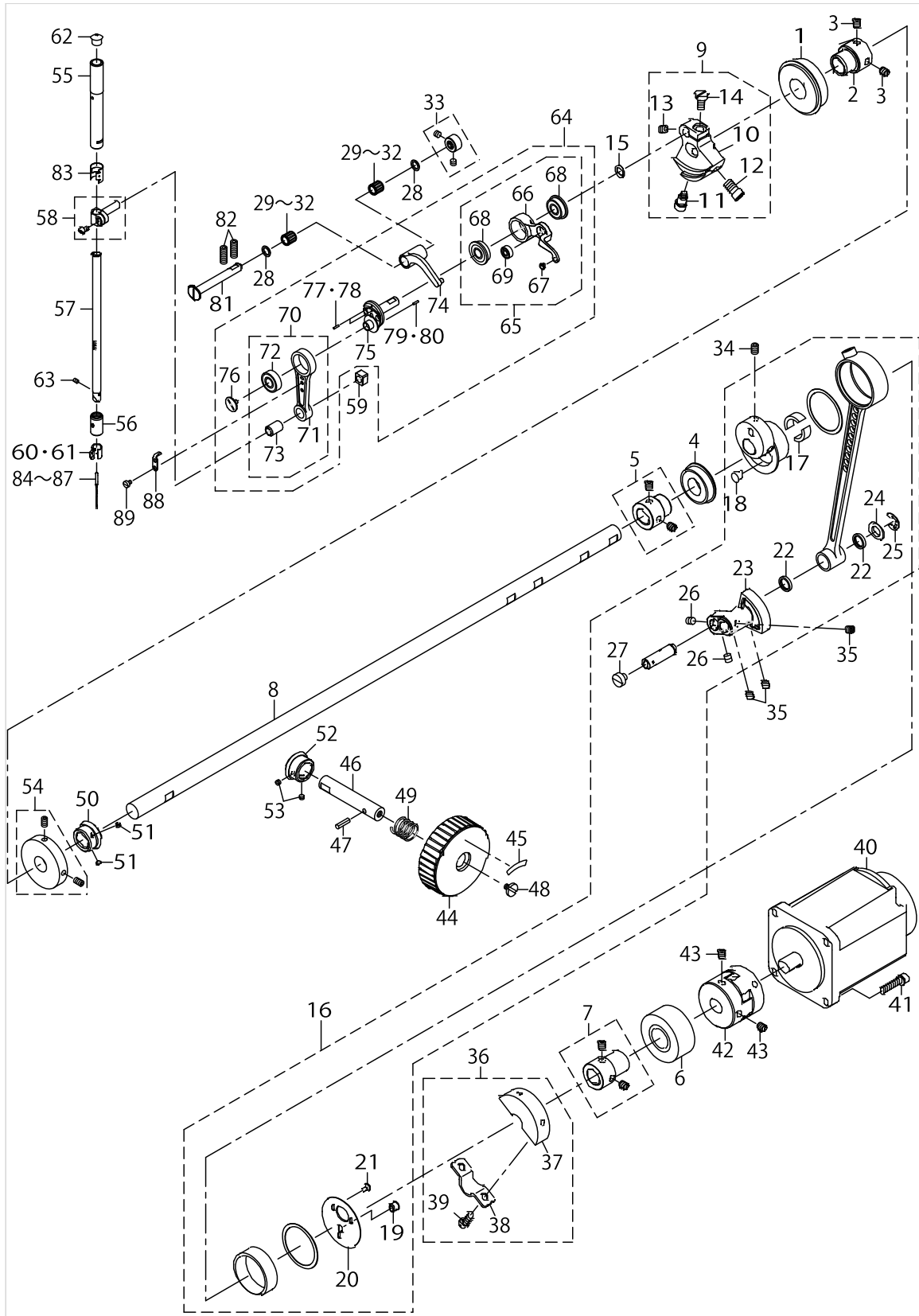


FRAME & MISCELLANEOUS COVER COMPONENTS (4)

No.	Supply Code	Parts No.	Replacement	Parts name	Remarks	Choice	Step	Level	Cons	Qty	Rep. QTY
1		40032162		FEED_BASE_COVER						2	
2		40032168		X_FEED_UPPER_COVER_ASM						2	
3		40032163		X_FEED_LOWER_COVER_ASM						2	
4		40035705		FEED COVER						1	
5		40033186		FEED_COVER_STAY						1	
6		B1155221D00		FEED COVER FIX PLATE						1	
7		B1156221D00		FEED COVER FIX PLATE B						2	
8		40032167		FEED_COVER_RALL_STOPPER_PLATE						2	
9		B1181221D00		FEED BASE SUPPO-RT COVER RAIL X						4	
10		B1182221D00		Y GUIDE RAIL BRACKET						2	
11		B1183221D00		FEED BASE SUPPO-RT COVER RAIL Y						2	
12		B1193221D00		Y GUIDE RAIL BUSH						4	
13		B1157215000		MOVEMENT COVER PLATE						2	
14		NM6030003SC		NUT M3						8	
15		PS0150065KP		SPRING PIN 1.5X6						4	
16		SM4030401SC		SCREW M3X0.5 L=4						2	
17		SM7030450SC		SCREW M3X0.5 L=3.5						2	
18		SM1040801SP		SCREW M4X0.7 L=8						6	
19		SM1030601SP		SCREW M3 L=6						8	
20		SM4040855SP		SCREW						4	
21		SM4040655SP		SCREW M4 L=6						2	
22		SM6040650TP		SCREW						8	
23		SM4041055SP		SCREW						4	
24		SM4041655SP		SCREW M4 L=16						10	
25		WP0330501SB		WASHER M3						2	
26		WP0450801SD		WASHER 4.5X10X0.8						4	
27		WP0450801SD		WASHER 4.5X10X0.8						8	
28		40032176		PRESSER_PLATE	FOR AMS-- 221EN-2516					1	
29		B1504221D00		PRESSER PLATE SHEET	FOR AMS-- 221EN-2516					1	
30		SM9051203CP		SCREW M5 L=12						4	
31		SM4050655SP		SCREW M5 L=6						6	
32		WP0531000SD		WASHER M5						6	
33		SM4041255SP		SCREW M4 L=12						2	
34		40032177		PRESSER_PLATE						1	
35		40032178		PRESSER_PLATE_SHEET						1	



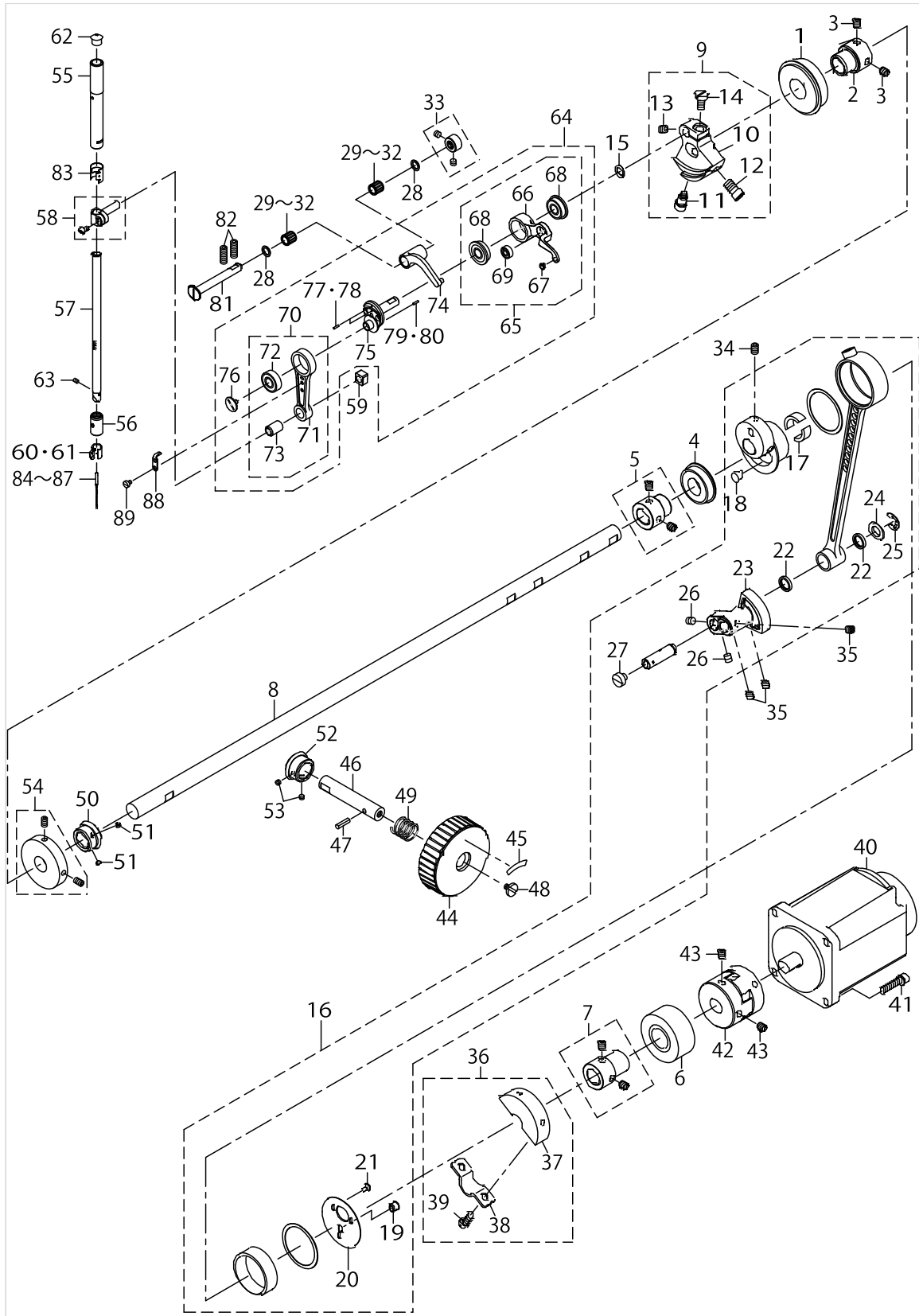
# MAIN SHAFT & NEEDLE BAR COMPONENTS



MAIN SHAFT & NEEDLE BAR COMPONENTS

No.	Supply Code	Parts No.	Replacement	Parts name	Remarks	Choice	Step	Level	Cons	Qty	Rep. QTY
1		SB12000900		BEARING						1	
2		23604200		MAIN SHAFT BEARING SUPPORT						1	
3		SM8060812TP		SCREW M6 L=8						2	
4		SB120001800		BEARING						1	
5		40010415		BEARING_BUSH_A_ASM.						1	
6		SB120001700		BEARING						1	
7		40010418		BEARING_BUSH_B_ASM.						1	
8		40032175		MAIN_SHAFT						1	
9		40010422		COUNTER_WEIGHT_ASM.						1	
10	R	40010423	40010422	COUNTER_WEIGHT				*		1	1.00
11		40010424		COUNTER_WEIGHT_SCREW_A				*		1	
12		40010425		COUNTER_WEIGHT_SCREW_B				*		1	
13		40010426		COUNTER_WEIGHT_SCREW_C				*		1	
14		40010427		COUNTER_WEIGHT_SCREW_D				*		1	
15		WP0820516SP		WASHER 11.6X8.2X0.6						1	
16		40089367		CRANK_ROD_ALL_ASM						1	
17		40006555		UNDER CAM FELT				*		2	
18		TA0670604R0		PLUG D=6.7 L=6				*		1	
19		TA0670604R0		PLUG D=6.7 L=6				*		1	
20		40010421		CRANK_ROD_SUPPORT_PLATE				*		1	
21		SM1030601SP		SCREW M3 L=6				*		3	
22		10108009		OIL SEAL				*		2	
23	R	40006561	40089367	OSCILLATOR				*		1	1.00
24		40026818		WASHER				*		1	
25		RE0800000K0		E-SHAPED SNAP RING (8MM)				*		1	
26		SM8480652TP		SCREW				*		2	
27		SM6060550TP		SCREW M6 L=4.5				*		1	
28		22891204		BEARING SUPPORT						2	
29		SB30700020A		BEARING	SELECTIVE PARTS					2	
30		SB30700020B		BEARING	SELECTIVE PARTS					2	
31		SB30700020C		BEARING	SELECTIVE PARTS					2	
32		SB30700020D		BEARING	SELECTIVE PARTS					2	
33		40010434		THRUST_COLLAR_ASM.						1	
34		SM8060812TP		SCREW M6 L=8						2	
35		SM8480652TP		SCREW						3	
36		40010437		CRANK_BALANCER_ASM.						1	
37	R	40010438	40010437	CRANK_BALANCER				*		1	1.00
38		40010439		CRANK_BALANCER_FIX_PLATE				*		1	
39		40010440		CRANK_BALANCER_FIX_PLATE_SCREW				*		2	
40		40052937		550W_SERVO_MOTOR						1	
41		SL6052592TN		BOLT						4	
42	R	23604309	40051473	COUPLING						1	1.00
43		SM8060812TP		SCREW M6 L=8						4	
44		B1212210D00		PULLEY						1	
45		B1144210000		REVOLVING DIRECTION LABEL						1	
46		40044053		PULLEY SHAFT						1	

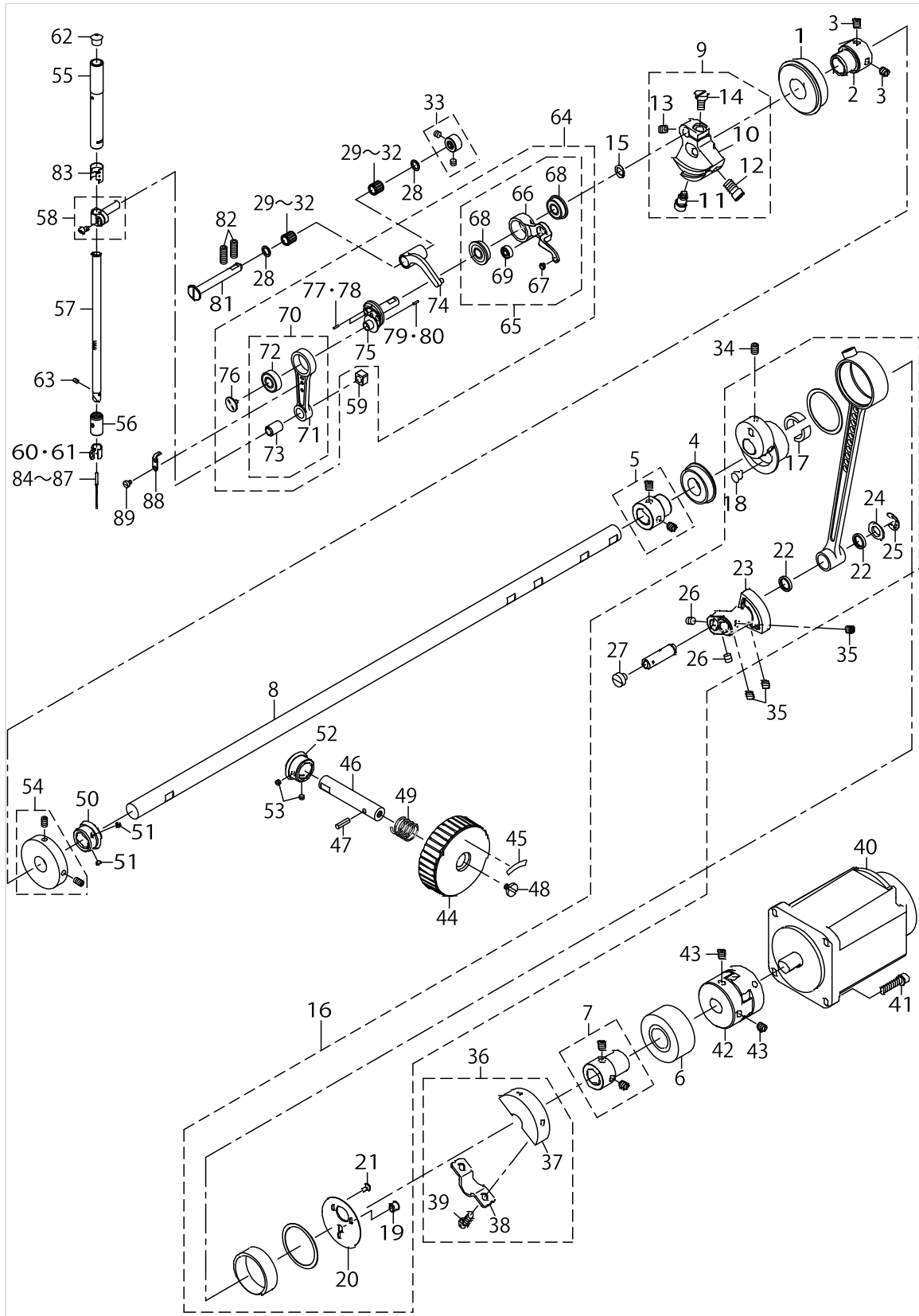
# MAIN SHAFT & NEEDLE BAR COMPONENTS



MAIN SHAFT & NEEDLE BAR COMPONENTS

No.	Supply Code	Parts No.	Replacement	Parts name	Remarks	Choice	Step	Level	Cons	Qty	Rep. QTY
47		PS0400142KH		SPRING PIN 4X14						1	
48		A1230500000A		HANDWHEEL SETSCREW						1	
49		GAF01007000		SPRING						1	
50		40006515		GEAR_A						1	
51		SM8040310SS		SCREW M4 L=3						2	
52		40006516		GEAR_B						1	
53		SM8040310SS		SCREW M4 L=3						2	
54		40010533		BTW_DRIVING_WHEEL_ASM.						1	
55		40077604		NEEDLE_ROD_METAL						1	
56		40077605		NEEDLE_ROD_LOWER_METAL						1	
57		40026882		NEEDLE_BAR						1	
58		B14115520A0		NEEDLE BAR CONNECTING ASM.						1	
59		B1414555000		SLIDE BLOCK						1	
60		B1405210000		THREAD GUIDE A						1	
61		40026884		NEEDLE_BAR_SHREAD_GUIDE_H						1	
62		22901409		NEEDLE BAR UPPER BUSH CAP						1	
63		SM8030412TP		SCREW					☆	1	
64		40078382		THREAD_TAKE_UP_COMPL						1	
65	R	40006530	40006529	THREAD_TAKE_UP_LEVER_ASM.				*		1	1.00
66	R	40006531	40006529	THREAD_TAKE_UP_LEVER				*		1	1.00
67		B1908505000		THREAD PASS BUSH				*		1	
68		SB108002200		BEARING				*		2	
69		SB104001600		BEARING				*		1	
70		40078106		NEEDLE_BAR_CRANK- K_ROD_ALL_ASM				*		1	
71		40078088		NEEDLE_BAR_CRANK_ROD				*		1	
72		SB108002300		BEARING				*		1	
73	R	22891006	22890958	NEEDLE BAR CRANK ROD BUSH		A	DDL-5700N	*		1	1.00
73	R	22891006	23622251	NEEDLE BAR CRANK ROD BUSH		B	DDL-9000,- DP-2100,DLN-9010	*		1	1.00
73	R	22891006	40078106	NEEDLE BAR CRANK ROD BUSH		C	AMS- /IP-- 420,AMS-220EN	*		1	1.00
73	R	22891006	40006534	NEEDLE BAR CRANK ROD BUSH		D	LK- ,AMS-- /IP-410,A- MS-210E,AB-1351	*		1	1.00
74		40006532		THREAD_TAKE_UP_CRANK				*		1	
75	R	40078083	40078382	NEEDLE_ROD_CRANK				*		1	1.00
76		B1903552000		LEFT SCREW				*		1	
77		40078135		PIN	SELECTIVE PARTS			*		1	
78		40096186		PIN	SELECTIVE PARTS			*		1	
79		B1705850000		STOPPER PIN	SELECTIVE PARTS			*		1	
80		40096209		PIN	SELECTIVE PARTS			*		1	
81		40078079		THREAD_TAKE_UP_CRANK_SHAFT						1	
82		SM8061612TP		SCREW M6X16						2	
83		40078160		NEEDLE_ROD_META- L_GREASE_COVER						1	
84		MDP500B1400		NEEDLE DPX5 #14					☆	1	
85		MDP170B1800		NEEDLE DPX17 #18					☆	1	
86		MC200501000		NEEDLE #100					☆	1	
87		MC372001100		NEEDLE 135X17 #110					☆	1	

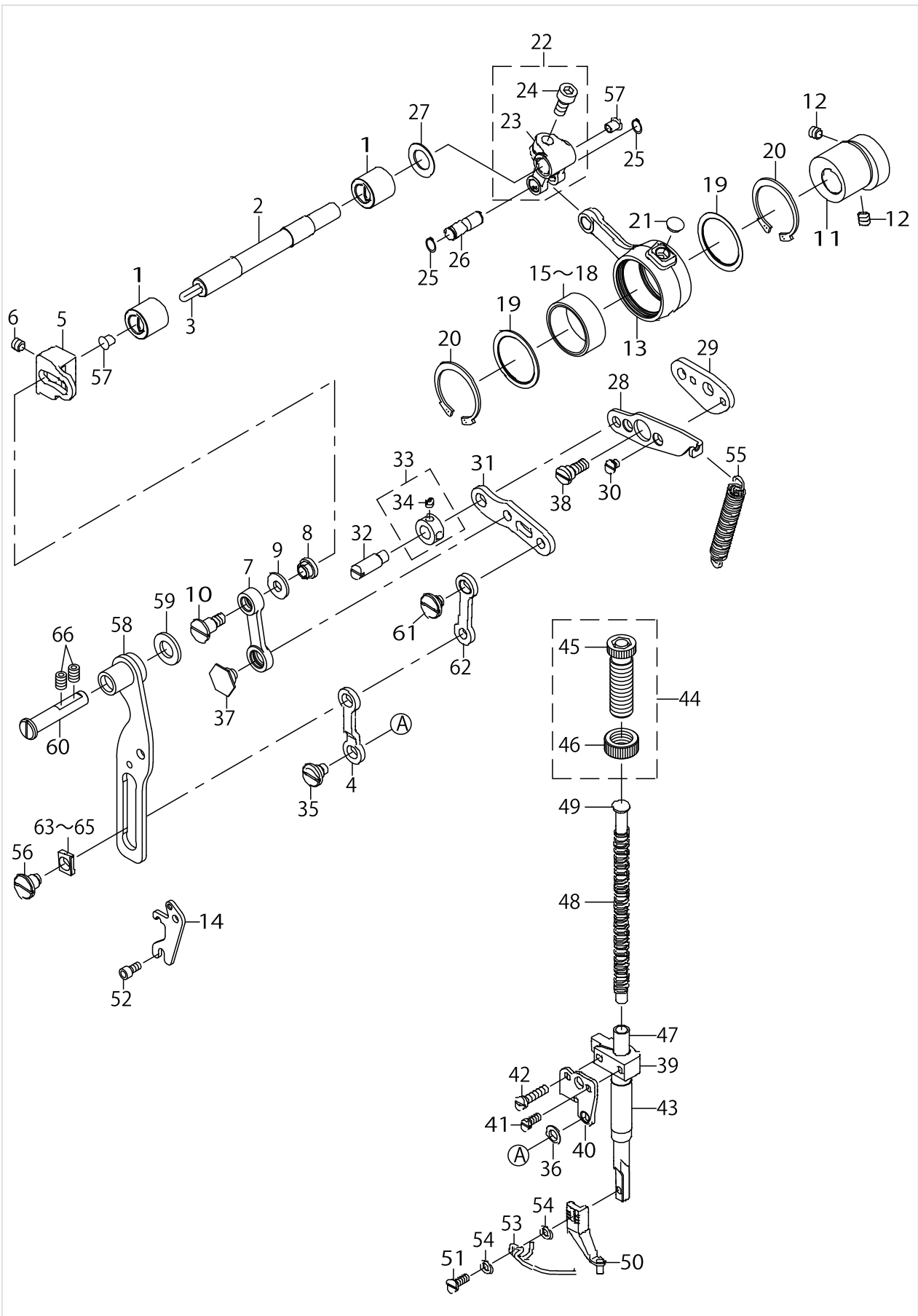
# MAIN SHAFT & NEEDLE BAR COMPONENTS



MAIN SHAFT & NEEDLE BAR COMPONENTS

No.	Supply Code	Parts No.	Replacement	Parts name	Remarks	Choice	Step	Level	Cons	Qty	Rep. QTY
88		40078107		KNIFE						1	
89		SM6030450TP		SCREW M3 L=4						2	

PRESSER MECHANISM & PRESSER VARIABLE COMPONENTS (1)

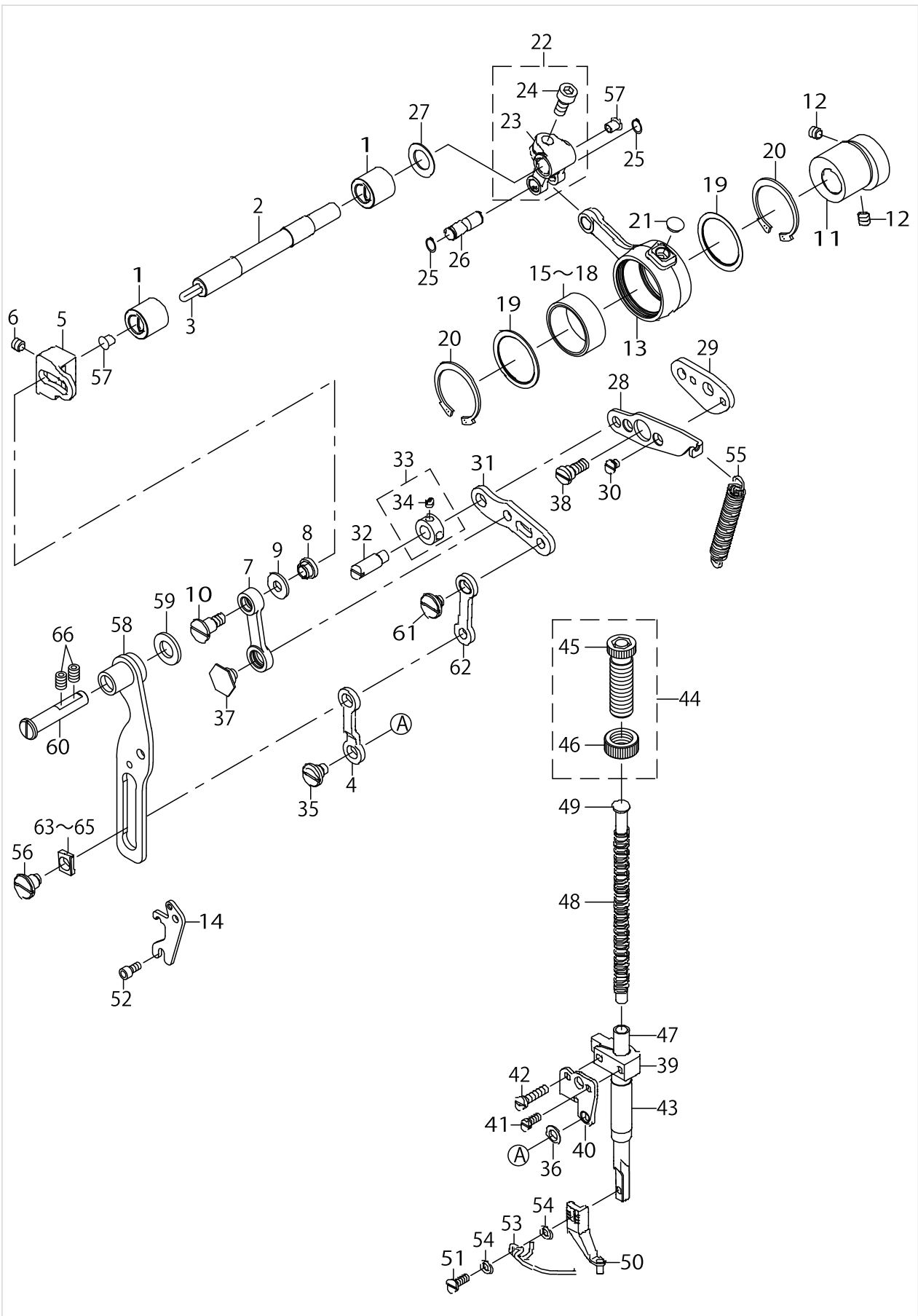


PRESSER MECHANISM & PRESSER VARIABLE COMPONENTS (1)

No.	Supply Code	Parts No.	Replacement	Parts name	Remarks	Choice	Step	Level	Cons	Qty	Rep. QTY
1		40025431		BUSHING						2	
2		40025427		INTERMEDIATE_PRESSER_SHAFT						1	
3		CQ303000000		OIL WICK						.18	
4		40030617		INTERMEDIATE_PRESSER_LINK_D						1	
5		40025012		ADJUSTING_ARM						1	
6		SM8060812TP		SCREW M6 L=8						1	
7		40068835		INTERMEDIATE_PRESSURE_LINK						1	
8		40025415		ADJUSTING_NUT						1	
9		WP0611626SP		WASHER 15X6X1.6						1	
10		SD0800746TP		SHOULDER SCREW						1	
11		40025428		ECCENTRIC_CAM						1	
12		SM8060812TP		SCREW M6 L=8						2	
13		40025011		CRANK_CONNECTING_ROD						1	
14		40068833		POSITIONING_LINK_SPRING_HOOK						1	
15		B1636581A00		NEEDLE BEARING A	SELECTIVE PARTS					1	
16		B1636581B00		NEEDLE BEARING B	SELECTIVE PARTS					1	
17		B1636581C00		NEEDLE BEARING	SELECTIVE PARTS					1	
18		B1636581D00		NEEDLE BEARING	SELECTIVE PARTS					1	
19		40012965		BEARING_SUPPORT_PLATE						2	
20		RC3781518KP		RETAINING RING						2	
21		TA0750404R0		PLUG D=7.5 L=3.5						1	
22		13122452		FEED BRANCH CRANK ASM.						1	
23		13122403		FEED BRANCH CRANK				*		1	
24		SM6061402TP		SCREW M6 L=14				*		1	
25		RC0650811KP		RETAINING RING						2	
26		40025429		ROD_CONNECTING_SHAFT						1	
27		WP1221016SP		WASHER						1	
28		40068834		POSITIONING_LINK						1	
29		40024988		POSITIONING_LINK_B						1	
30		SS1110640TP		SCREW 11/64-40 L=5.5						2	
31		40030620		INTERMEDIATE_PRESSER_LINK_B						1	
32		B1408180000		HINGE SCREW						1	
33		CS079073ASH		THRUST COLLAR ASM.						1	
34		SS8110410TP		SCREW 11/64-40 L=3.5				*		2	
35		SD0800386TP		SHOULDER SCREW D=8 H=3.75						1	
36		40029419		LINK_CONNECTING_PLATE_WASHER						1	
37		SD1000506TP		SHOULDER SCREW D=10 H=4.95						1	
38		SD0800408TP		SHOULDER SCREW						1	
39		23610108		PRESSER BAR GUIDE BRACKET						1	
40		40024991		LINK_CONNECTING_PLATE						1	
41		SS6090910SP		SCREW 9/64-40 L=9						1	
42		SS7111810TP		SCREW 11/64-40 L=18						1	
43		40078133		PRESSER_BUSHING						1	
44		22907554		PRESSER SPRING REG NUT ASM.						1	
45	R	22907505	22907554	PRESSER SPRING REGULATOR				*		1	1.00



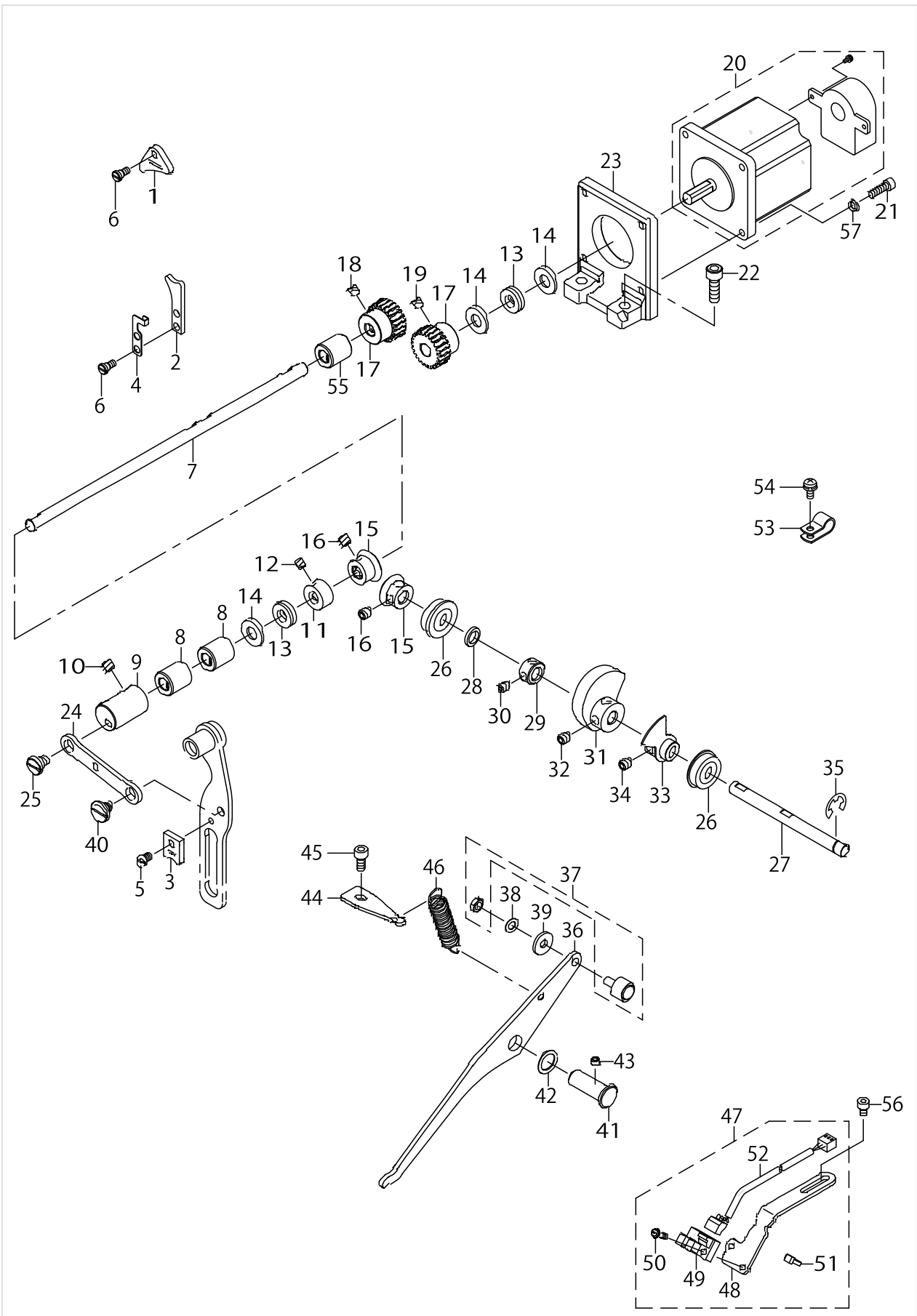
PRESSER MECHANISM & PRESSER VARIABLE COMPONENTS (1)



PRESSER MECHANISM & PRESSER VARIABLE COMPONENTS (1)

No.	Supply Code	Parts No.	Replacement	Parts name	Remarks	Choice	Step	Level	Cons	Qty	Rep. QTY
46	R	22907604	22907554	PRESSER SPRING REGULATOR NUT				*		1	1.00
47		40030623		INTERMEDIATE_PRESSER_BAR						1	
48		B161121000A		INNER PRESSER SPRING						1	
49		40023631		PRESSER GUIDE BAR						1	
50		40023632		INTERMEDIATE PRESSER A					☆	1	
51		SM7751160TP		SCREW						1	
52		SM6040802TP		SCREW M4X0.7 L=8						2	
53		B1634210D00		FINGER GUARD						1	
54		WP0430800SC		WASHER M4						2	
55		40030621		INTERMEDIATE PRE- SSER_SPRING B						1	
56		SD0800656TP		SHOULDER SCREW						1	
57		TA0550604R0		RUBBER PLUG						1	
58	R	40096092	40077925	PRESSURE_VARIAB- LE_PLATE_ASM_BL						1	1.00
59		40078113		COLLAR						1	
60		40023624		THREAD_TRIMMER_SHAFT						1	
61		SD0800336TP		SHOULDER SCREW						1	
62		40030616		INTERMEDIATE_PRESSER_LINK_C						1	
63		40030628		SLIDE_BLOCK_A	SELECTIVE PARTS					1	
64		40030629		SLIDE_BLOCK_B	SELECTIVE PARTS					1	
65		40030630		SLIDE_BLOCK_C	SELECTIVE PARTS					1	
66		SM8060812TP		SCREW M6 L=8						2	

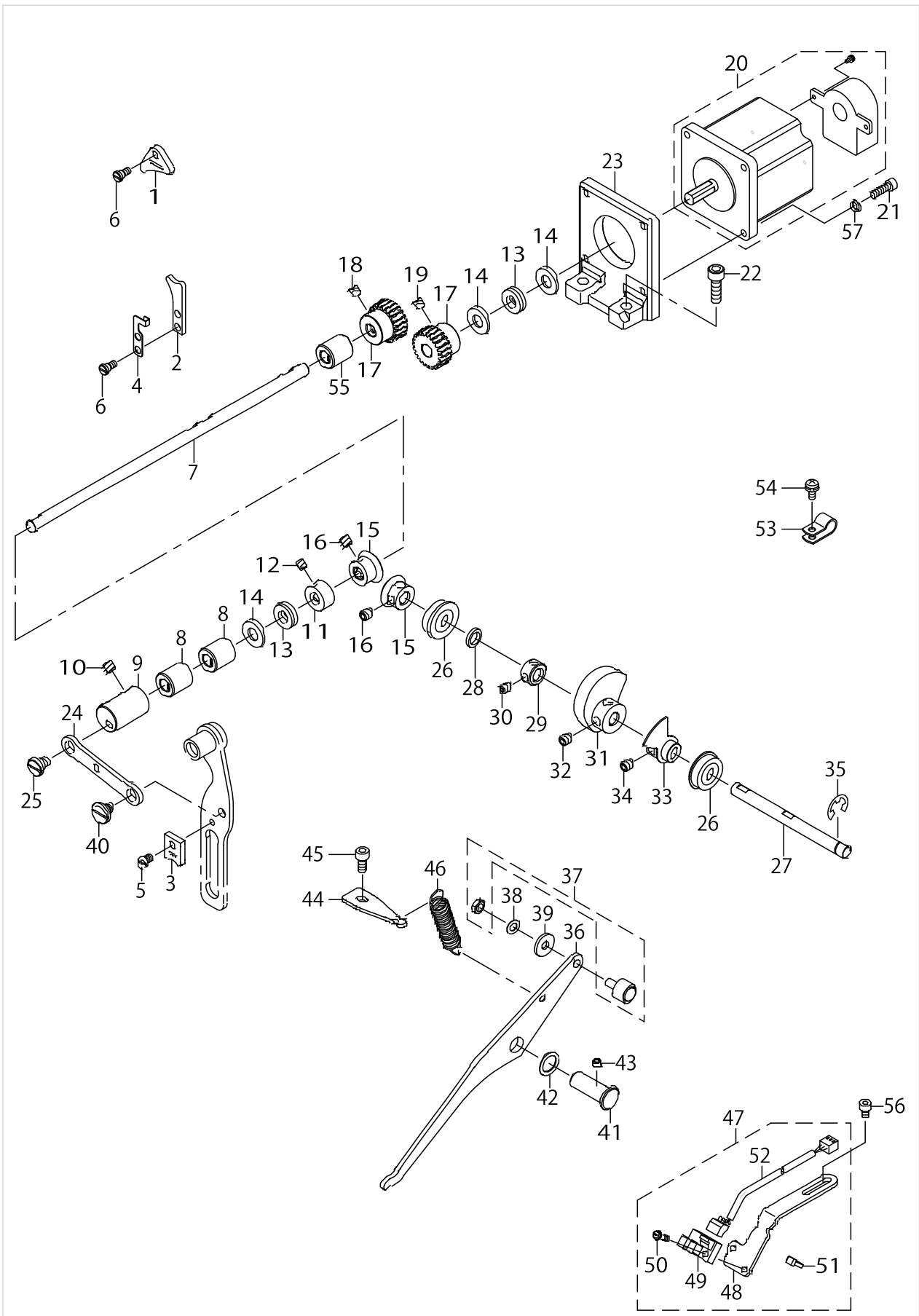
PRESSER MECHANISM & PRESSER VARIABLE COMPONENTS (2)



PRESSER MECHANISM & PRESSER VARIABLE COMPONENTS (2)

No.	Supply Code	Parts No.	Replacement	Parts name	Remarks	Choice	Step	Level	Cons	Qty	Rep. QTY
1		40030625		FACE_FELT_A						1	
2		40030626		FACE_FELT_B						1	
3		40030627		FACE_FELT_C						1	
4		40026817		FACE_FELT_B_SUPPORT						1	
5		40029420		FELT_SCREW_C						1	
6		40032483		FELT_SCREW_AB						3	
7		40032179		PRESSER_VARIABLE_SHAFT						1	
8		40025423		BUSHING B						2	
9		40026819		PRESSER_VARIABLE_ARM						1	
10		SM8480652TP		SCREW						2	
11		CS0800881TP		THRUST COLLAR						1	
12		SM8050412TP		SCREW M5 L=4						2	
13		SB408000100		BEARING						2	
14		WP0850002SP		WASHER 8.5X18X1.6						3	
15		40030615		PRESSER_LIFT_GEAR						2	
16		SM8060812TP		SCREW M6 L=8						4	
17		40032180		PRESSER_MOTOR_GEAR_A						2	
18		SM8060812TP		SCREW M6 L=8						2	
19		SM8060602TP		SCREW M6X6						2	
20		40102213		ENCODER MOTOR ASM						1	
21		SM6041402TP		SCREW M4 L=14						4	
22		SM6061802TP		SCREW M6 L=18						2	
23		40032181		PRESSER_MOTOR_BRACKET						1	
24		40024989		PRESSER_VARIABLE_LINK						1	
25		SD0800337TP		SHOULDER SCREW						1	
26		SB108000500		RADIAL BEARING						2	
27		40025426		PRESSER_LIFT_SHAFT						1	
28		WZ0850302K0		WAVED WASHER 8.5X12.5X0.3						1	
29		CS0800881TP		THRUST COLLAR						1	
30		SM8050412TP		SCREW M5 L=4						2	
31		40025016		LIFTING_CAM						1	
32		SM8060812TP		SCREW M6 L=8						2	
33		40025418		SENSOR_SLIT_ASM						1	
34		SM8060812TP		SCREW M6 L=8						2	
35		RE0700000K0		E-RING 7						1	
36		40025030		LIFTING_LINK						1	
37		40027870		CAM FOLLOWER						1	
38		WP0520656SA		WASHER 5.2X9.5X0.6						1	
39		WP0522016SH		WASHER						1	
40		SD0800387TP		SHOULDER SCREW D=8 H=3.75						1	
41		B1641562000		FEED REGULATING ARM SHAFT						1	
42		26226001		WASHER						1	
43		SM8050412TP		SCREW M5 L=4						1	
44		40025420		LIFTER_LINK_SPRING_HOOK						1	
45		SM6050802TP		SCREW M5X0.8 L=8						1	
46		40003970		TENSION RELEASE RETURN						1	

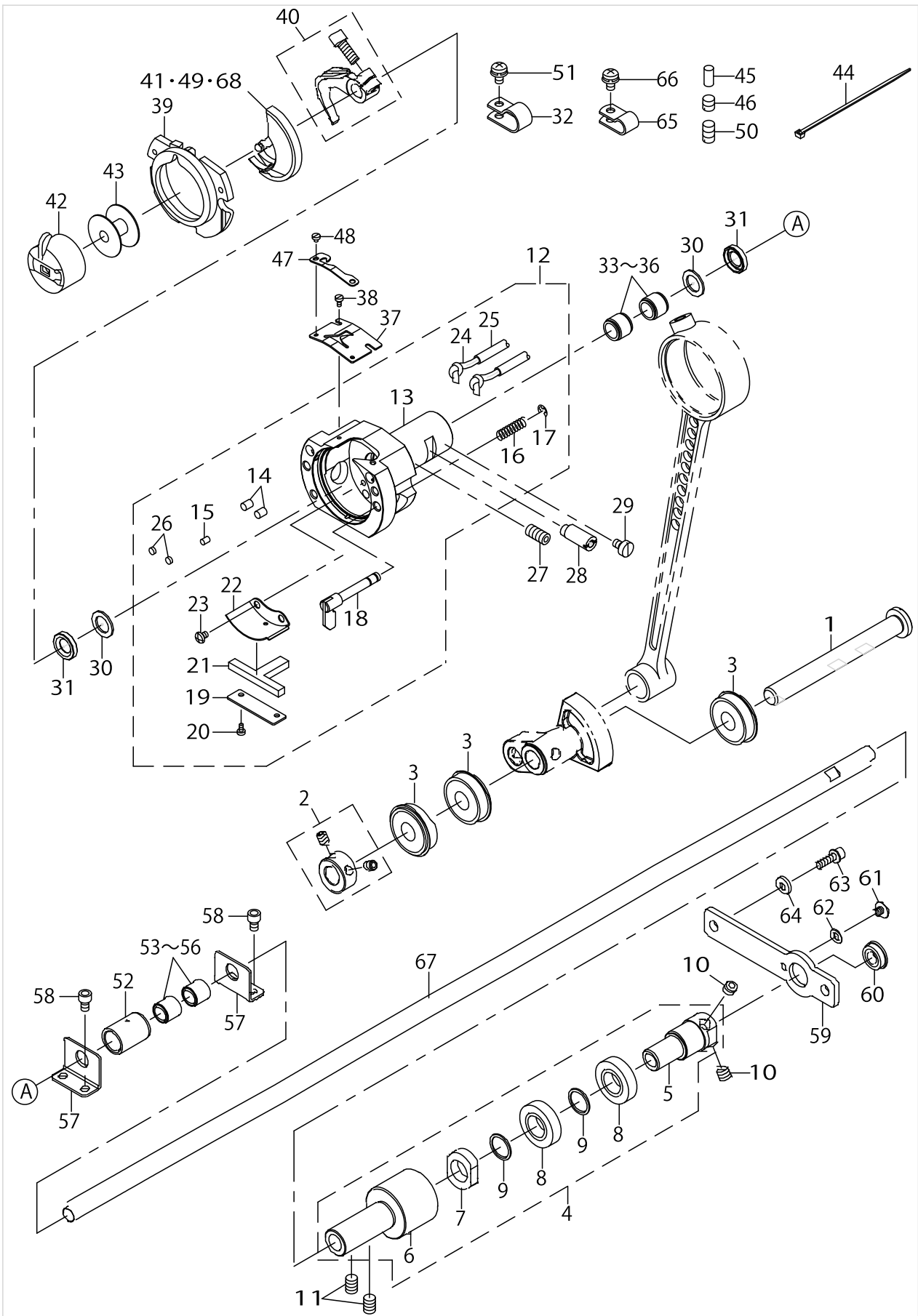
PRESSER MECHANISM & PRESSER VARIABLE COMPONENTS (2)



PRESSER MECHANISM & PRESSER VARIABLE COMPONENTS (2)

No.	Supply Code	Parts No.	Replacement	Parts name	Remarks	Choice	Step	Level	Cons	Qty	Rep. QTY
47		40073081		SENER_INSTALLING_BASE ASM.						1	
48		40025419		SENSOR_INSTALLING_BASE				*		1	
49		HD00057000A		PHOTO SENSOR				*		1	
50		SL4031091SC		SCREW M3X10				*		1	
51		EA9500B0100		CABLE BAND				*		2	
52		40040240		IP SENSOR CABLE ASM				*		1	
53		HX00150000D		CABLE CLIP						2	
54		SL4040891SC		SCREW M4 L=8						2	
55		40043321		BUSHING_C						1	
56		SM6040602TP		SCREW M4 L=6						2	
57		WP0450846SP		WASHER						4	

# SHUTTLE DRIVER SHAFT COMPONENTS

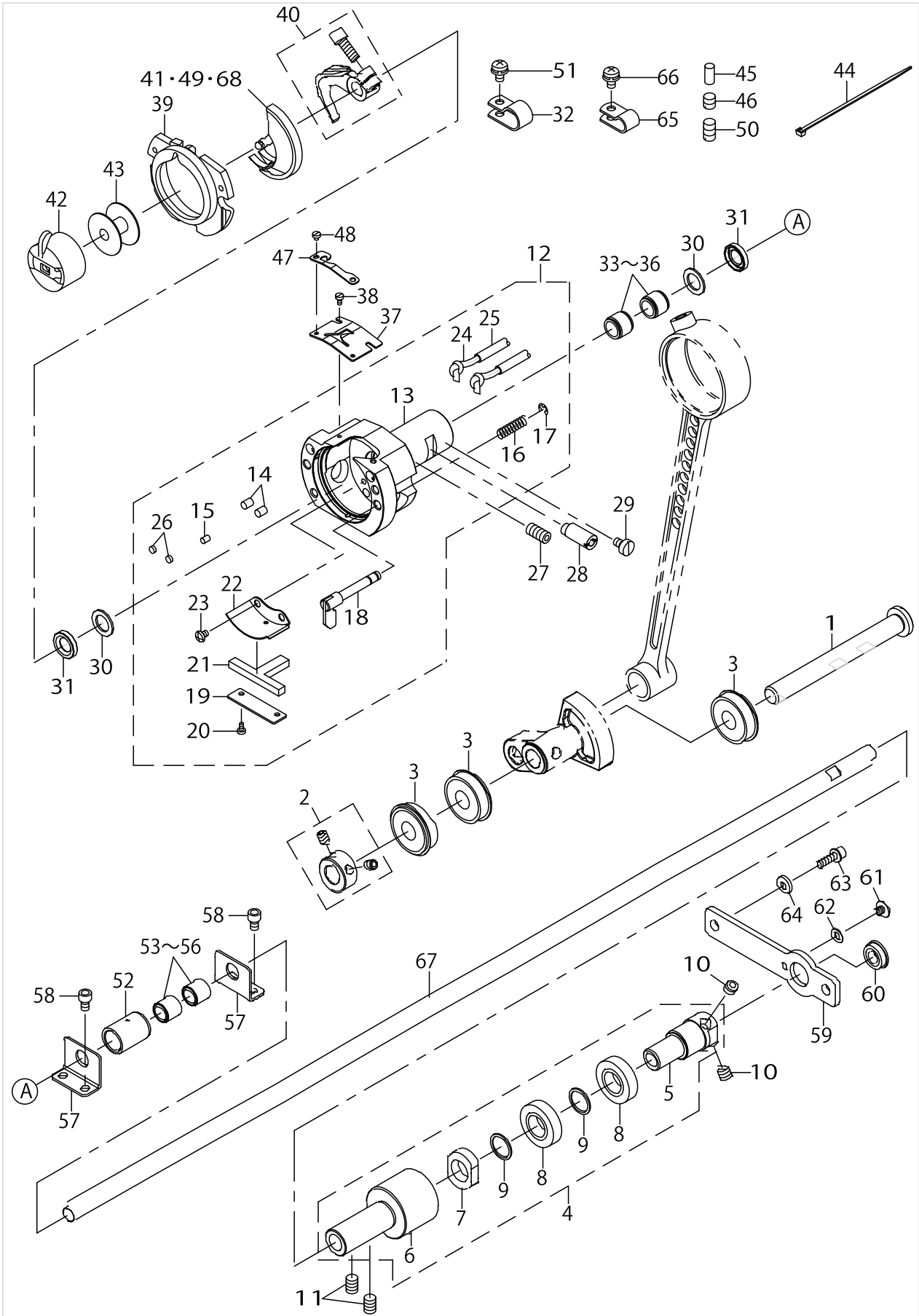


SHUTTLE DRIVER SHAFT COMPONENTS

No.	Supply Code	Parts No.	Replacement	Parts name	Remarks	Choice	Step	Level	Cons	Qty	Rep. QTY
1		40043869		OSCILLATOR_SHAFT						1	
2		40010464		THRUST_COLLAR_ASM.						1	
3		SB110002400		BEARING						3	
4		40072009		LOWEW_SHAFT_GEAR_ASM						1	
5	R	40006567	40016077	LOWER_SHAFT_GEAR				*		1	1.00
6	R	40006569	40016077	LOWER_SHAFT_REAR_METAL				*		1	1.00
7		40024063		NUT				*		1	
8		SB112001700		BEARING				*		2	
9		40006317		LOWER SHAFT GEAR RING				*		2	
10		SM8060812TP		SCREW M6 L=8						2	
11		SM8060812TP		SCREW M6 L=8						2	
12		40034846		SHUTTLE_ASM						1	
13		40089365		SHUTTLE				*		1	
14		B1820210D00		SHUTTLE OIL FELT A				*		2	
15		B1821210D00		SHUTTLE OIL FELT B				*		1	
16		B1822215P00		INNER HOOK PRESSER SPRING				*		2	
17		RE0300000K0		E-RING 3				*		2	
18		26501858		INNER-HOOK-PRESSER COMPL.				*		2	
19		14104004		ONCE THROUGH OIL FELT PRESSER				*		1	
20		SM6020460TP		SCREW				*		2	
21		14103907		SHUTTLE ONCE TH-ROUGH OIL FELT				*		1	
22		40006577		SHUTTLE_LUBRICATING_PLATE				*		1	
23		SM4030455SP		SCREW				*		2	
24		CQ200000000		OIL WICK				*		5.7	
25		23630007		TUBE				*		2.22	
26		13529607		SHUTTLE PACKING				*		2	
27		SM8061212TP		SCREW M6X12						1	
28		40010471		SHUTTLE_RACE_AD-JUSTING_SHAFT						1	
29		SM6040650TP		SCREW						1	
30		40010472		SHUTTLE_BEARING_RING						2	
31		40006576		SHUTTLE_OIL_SEAL						2	
32		HX00150000D		CABLE CLIP						1	
33		SB30800100A		BEARING	SELECTIVE PARTS					2	
34		SB30800100B		BEARING	SELECTIVE PARTS					2	
35		SB30800100C		BEARING	SELECTIVE PARTS					2	
36		SB30800100D		BEARING	SELECTIVE PARTS					2	
37		40036117		SHUTTLE UPPER SPRING						1	
38		SM6020460TP		SCREW						2	
39		14103352		INNER HOOK PRESSER ASM. B						1	
40		40014963		SHUTTLE DRIVER ASM.						1	
41		40061991		SHUTTLE(H)					☆	1	
42		B1828210DAA		BOBBIN CASE ASM.					☆	1	
43		B1806210D00		BOBBIN					☆	1	
44		EA9500B0100		CABLE BAND						2	
45		40006578		OIL_WICK_PRESSER						1	



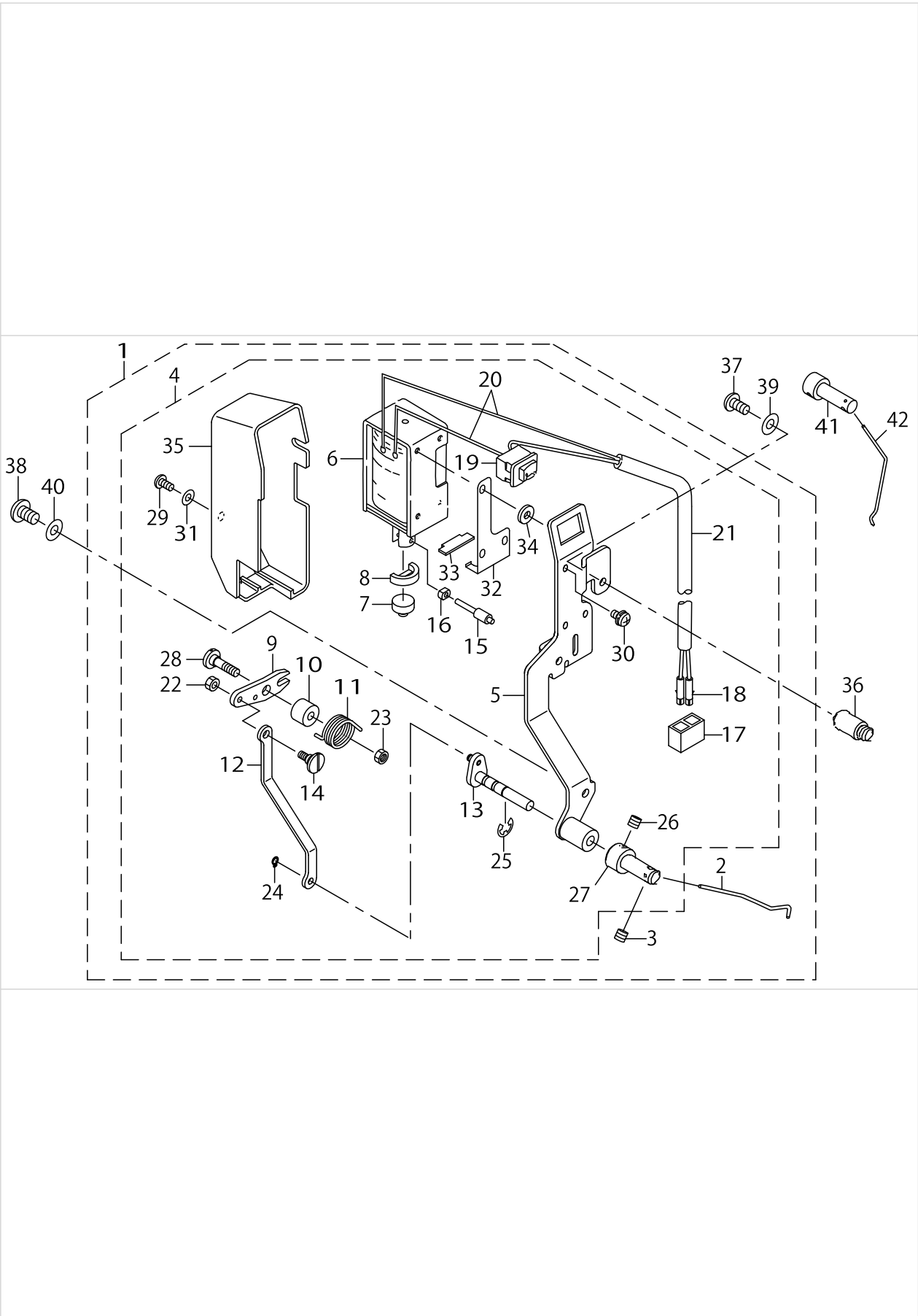
SHUTTLE DRIVER SHAFT COMPONENTS



SHUTTLE DRIVER SHAFT COMPONENTS

No.	Supply Code	Parts No.	Replacement	Parts name	Remarks	Choice	Step	Level	Cons	Qty	Rep. QTY
46		SM8060610TP		SCREW						1	
47		40036118		LOWER THREAD HOLDER						1	
48		SM6020250TP		SCREW						2	
49		40014964		SHUTTLE					☆	1	
50		SM8061050TP		SCREW						1	
51		SL4040891SC		SCREW M4 L=8						1	
52		B1847221D00		LOWER SHAFT MIDDLE METAL						1	
53		B1411804A00		BEARING (A)	SELECTIVE PARTS					2	
54		B1411804B00		NEEDLE DRIVING L- EVER BEARING B	SELECTIVE PARTS					2	
55		B1411804C00		NEEDLE DRIVING L- EVER BEARING C	SELECTIVE PARTS					2	
56		B1411804D00		BEARING (D)	SELECTIVE PARTS					2	
57		40032185		LOWER_SHAFT_NEEDLE_SUPPORT						2	
58		SM6040602TP		SCREW M4 L=6						4	
59		40032184		LOWER_SHAFT_REA- R_BEARING_BRACKET						1	
60		SB108000200		SIDE BEARING						1	
61		SM6040460TP		SCREW						1	
62		WP0450801SD		WASHER 4.5X10X0.8						1	
63		SL6041692TN		SCREW						2	
64		WP0482086SD		WASHER 4.8X11.5X2						2	
65		HX00150000B		CABLE CLIP						2	
66		SL4040891SC		SCREW M4 L=8						2	
67		40032182		LOWER_SHAFT						1	
68		40014965		SHUTTLE(H)						1	

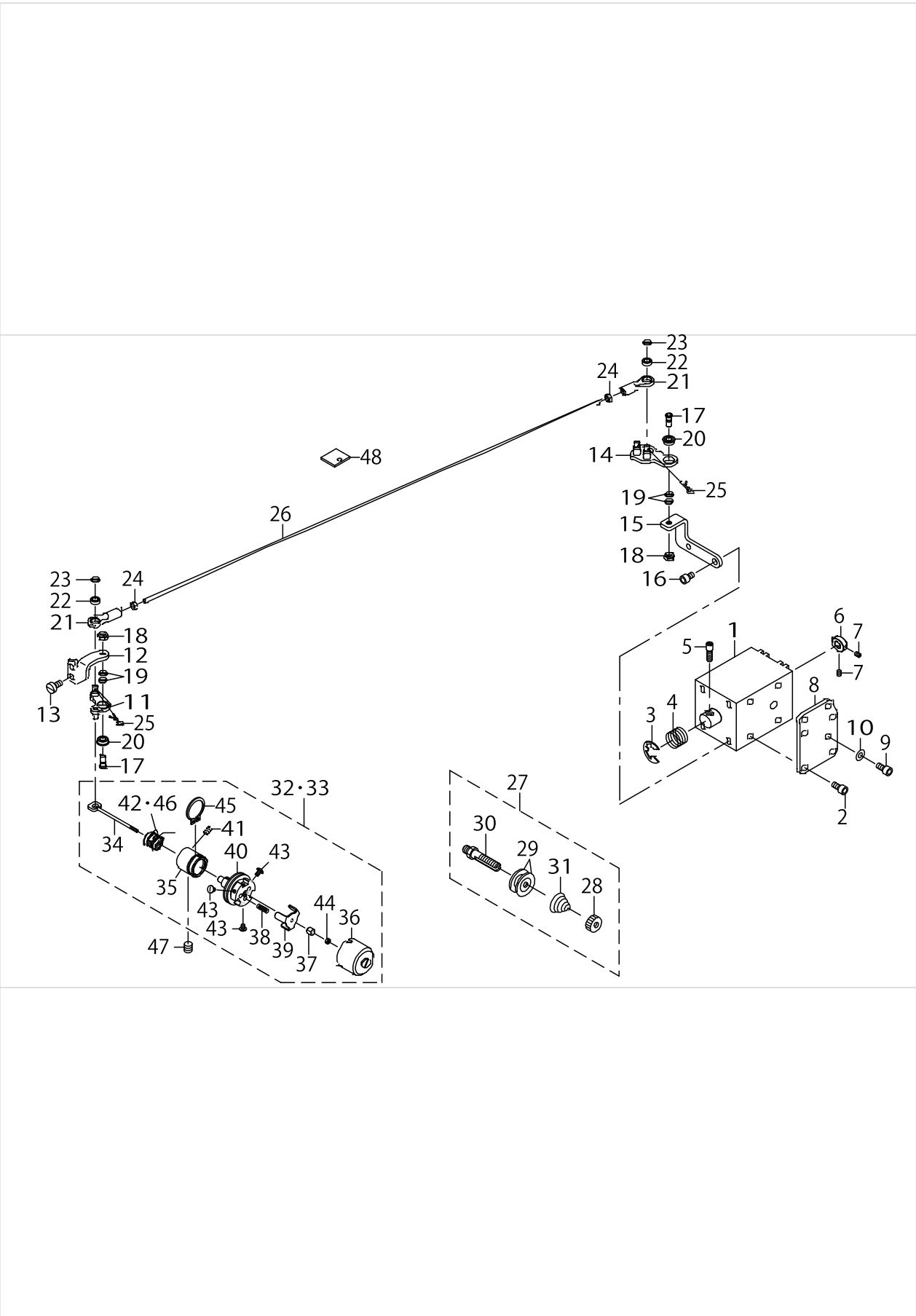
# WIPER MECHANISM COMPONENTS



WIPER MECHANISM COMPONENTS

No.	Supply Code	Parts No.	Replacement	Parts name	Remarks	Choice	Step	Level	Cons	Qty	Rep. QTY
1		40086363		WIPER_ASM						1	
2		B2107210D00		WIPER				*		1	
3		SM8040412TP		SET SCREW M4 L=4				*		1	
4		40086364		WIPER_B_ASM				*		1	
5		40086355		WIPER_BASE_ASM				*		1	
6		40030956		WIPER_SOLENOID				*		1	
7		22955900		WIPER RUBBER A				*		1	
8		22956007		WIPER RUBBER B				*		1	
9		40086350		WIPER_LINK_A				*		1	
10		40086353		WIPER_HINGE_SCREW_COLLAR				*		1	
11		40086349		WIPER_SPRING				*		1	
12		40086357		WIPER_LINK_B				*		1	
13		40086358		WIPER_DRIVING_SHAFT_ASM				*		1	
14		22956908		WIPER LINK B HINGE SCREW				*		1	
15		40086352		WIPER_SOLENOID_SHAFT				*		1	
16		40091894		SLIDE_BLOCK				*		1	
17		HK034610020		2-POLE NYLON PLUG				*		1	
18		HK03464000B		PIN CONTACT				*		2	
19		HA006000000		SWITCH				*		1	
20		HW200390000		ELECTRIC WIRE				*		0.04	
21		HW500070000		2-CORE CABTYRE CORD				*		1.8	
22		NS6090310SP		NUT 9/64-40				*		1	
23		NM6050001SC		NUT M5				*		1	
24		RC0370411KP		RETAINING RING				*		1	
25		RE0500000K0		E-RING				*		1	
26		SM8040412TP		SET SCREW M4 L=4				*		1	
27		40086354		WIPER_SHAFT_CAP				*		1	
28		40086351		SHOULDER_SCREW				*		1	
29		SM4030601SN		SCREW M3X6				*		1	
30		SL4031091SC		SCREW M3X10				*		3	
31		WP0320501SC		WASHER M3				*		1	
32		40037500		RUBBER HOLDER				*		1	
33		40037501		STOPPER_RUBBER				*		1	
34		WP0482086SD		WASHER 4.8X11.5X2				*		3	
35		22955504		WIPER COVER				*		1	
36		40025440		WIPER_STUD_TOP						1	
37		SM4040855SP		SCREW						1	
38		SM4050855SP		SCREW						1	
39		WP0450801SP		WASHER						1	
40		WP0531001SC		WASHER						1	
41		40076294		WIPER_SHAFT_CAP	OPTIONAL PARTS					1	
42		B2107210D0B		WIPER	OPTIONAL PARTS					1	

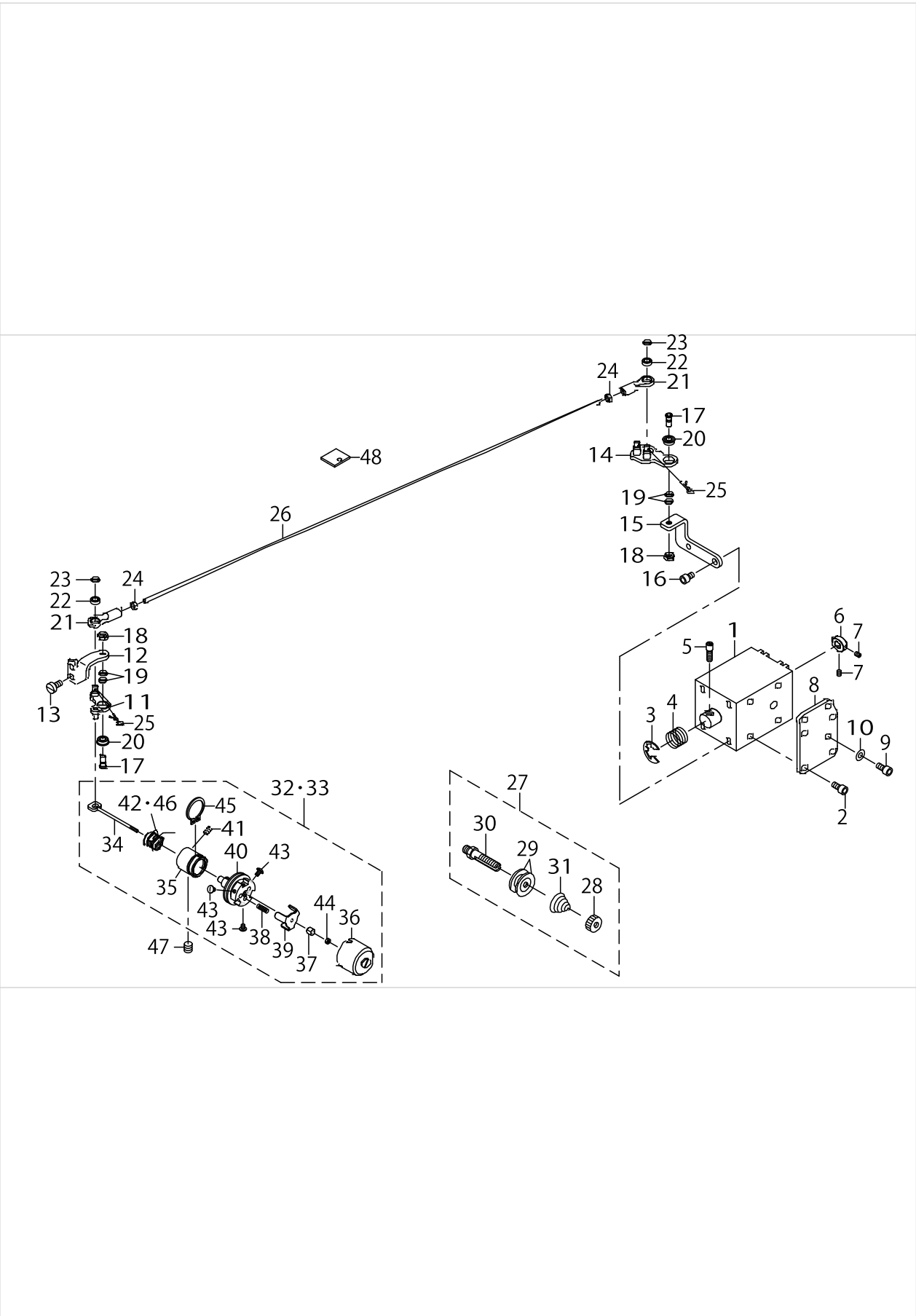
TENSION RELEASE & THREAD TENSION COMPONENTS



TENSION RELEASE & THREAD TENSION COMPONENTS

No.	Supply Code	Parts No.	Replacement	Parts name	Remarks	Choice	Step	Level	Cons	Qty	Rep. QTY
1		40073660		AT SOLENOID						1	
2		SM6040802TP		SCREW M4X0.7 L=8						4	
3		RE0900000K0		E-RING 9						1	
4		40006625		SPRING						1	
5		40006617		AT_SOL_PIN						1	
6		40010477		AT_SOL_COLLAR						1	
7		SM8030412TP		SCREW						2	
8		40010479		AT_PLATE						1	
9		SM6040802TP		SCREW M4X0.7 L=8						2	
10		WP0430801SC		WASHER 4.3X9X0.8						2	
11		40032343		AT_DRIVE_LINK_F_ASM						1	
12		40023993		AT_PIVOT_BASE(F)						1	
13		SM6040860TP		SCREW M4 L=8						2	
14		40089796		AT_DRIVE_LINK_R_ASM						1	
15		40089798		AT_PIVOT_BASE(R)						1	
16		SM6040802TP		SCREW M4X0.7 L=8						2	
17		40010487		AT_PIVOT_SCREW						2	
18		NM6040003SC		NUT M4						2	
19		40010489		AT_PIVOT_SCREW_WASHER						4	
20		40010490		AT_PIVOT_BEARING						2	
21		40010497		AT_JOINT						2	
22		40010498		AT_JOINT_BEARING						2	
23		40010489		AT_PIVOT_SCREW_WASHER						2	
24		NM6030001SC		NUT M3						2	
25		40006622		AT_SNAP_PIN						2	
26		40032190		AT_CONNECTION_BAR						1	
27		40010503		THREAD_TENSION_1_ASM.						1	
28		22928808		NUT				*		1	
29		22921506		THREAD TENSION DISK				*		2	
30	R	40010504	40010503	THREAD_TENSION_SHAFT				*		1	1.00
31		26218602		FIRST THREAD TENSION SPRING				*		1	
32		40029411		THREAD_TENSION_2_ASM_H						1	
33		40010508		THREAD_TENSION_2_ASM.	TYPE S					1	
34		40010509		TENSION RELEASE PIN				*		1	
35		40010510		THREAD_TENSION_POST_BASE				*		1	
36		40010511		DISK_STOPPER HOLDER_CAP				*		1	
37		40010512		THREAD_TENSION_SHAFT_COLLAR				*		1	
38		40010513		DISK_STOPPER_SPRING				*		3	
39		40010514		DISK_STOPPER				*		1	
40		40010515		ASSY_THREAD_TENSION_POST				*		1	
41		40010478		AT_SOL_COLLAR_SCREW				*		1	
42		40029412		THREAD_TAKE-UP_SPRING_H				*	☆	1	
43		40010521		HOLD_CAP_SCREW				*		3	
44		40010522		SHAFT_NUT				*		1	
45	R	40010523	40010508	POST_BASE_C_RING				*		1	1.00
46		22921605		THREAD TAKE-UP SPRING	TYPE S			*	☆	1	

TENSION RELEASE & THREAD TENSION COMPONENTS

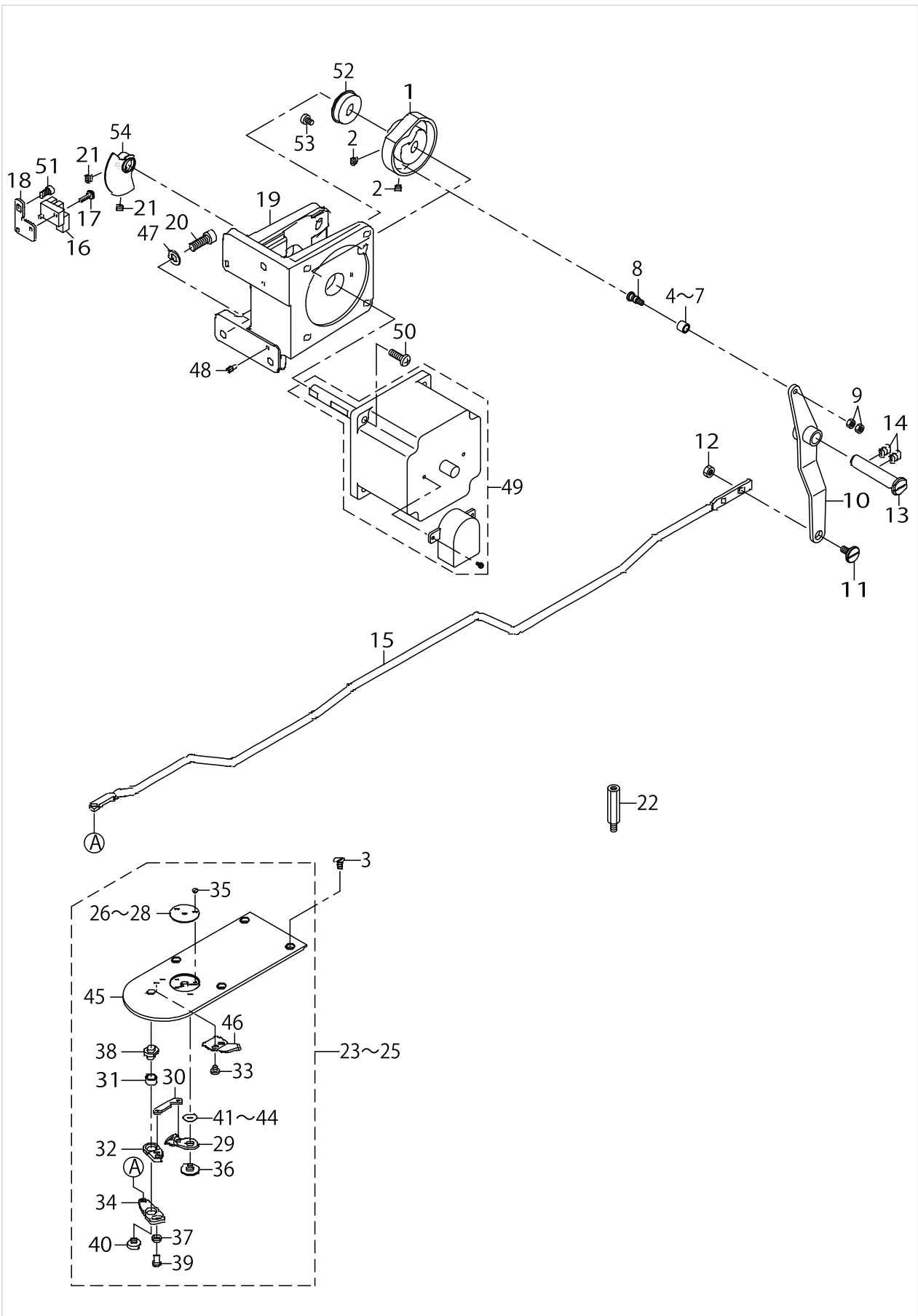


TENSION RELEASE & THREAD TENSION COMPONENTS

No.	Supply Code	Parts No.	Replacement	Parts name	Remarks	Choice	Step	Level	Cons	Qty	Rep. QTY
47		SM8061612TP		SCREW M6X16						1	
48		40013967		AT FELT						1	



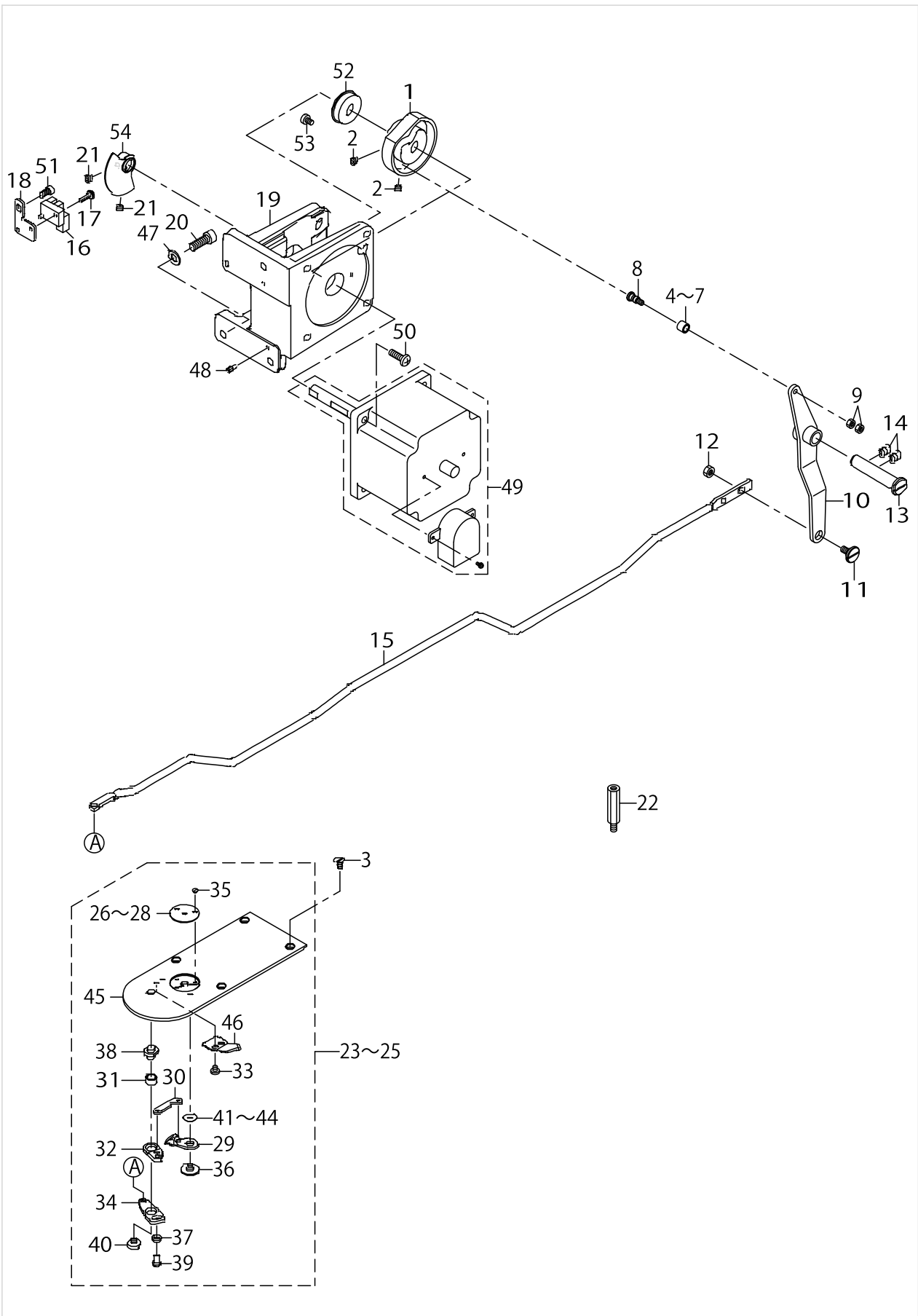
# THREAD TRIMMER MECHANISM COMPONENTS



THREAD TRIMMER MECHANISM COMPONENTS

No.	Supply Code	Parts No.	Replacement	Parts name	Remarks	Choice	Step	Level	Cons	Qty	Rep. QTY
1		40030936		THREAD_TRIMMER_CAM						1	
2		SM8050592TP		SCREW						2	
3		SM1040870TP		SCREW						4	
4		23517501		NEEDLE CAM ROLLER A	SELECTIVE PARTS					1	
5		23517600		NEEDLE CAM ROLLER B	SELECTIVE PARTS					1	
6		23517709		NEEDLE CAM ROLLER C	SELECTIVE PARTS					1	
7		23517808		NEEDLE CAM ROLLER D	SELECTIVE PARTS					1	
8		40040256		ROLLER_SHAFT						1	
9		NM6040001SP		NUT M4X0.7						2	
10		40072228		THREAD_TRIMMER_LINK_ASM						1	
11		SD0800327TP		SHOULDER SCREW						1	
12		NM6050001SP		NUT M5						1	
13		40023624		THREAD_TRIMMER_SHAFT						1	
14		SM8060812TP		SCREW M6 L=8						2	
15		40032186		THREAD_TRIMMER_CONNECTING_BAR						1	
16		HD00057000A		PHOTO SENSOR						1	
17		SL4031091SC		SCREW M3X10						1	
18		40010443		SENSOR_INSTALLING_BASE						1	
19		40072211		MOTOR_BASE						1	
20		SM6061802TP		SCREW M6 L=18						3	
21		SM8050592TP		SCREW						2	
22		HX00056000A		SPACER B						2	
23		40030932		NEEDLE_PLATE_ASM.						1	
24		40030933		NEEDLE_PLATE_H_ASM.						1	
25		40073085		NEEDLE_PLATE_H_2.4_ASM.						1	
26		B242621000A		NEEDLE HOLE GUIDE D=1.6				*	☆	1	
27		B242621000B		NEEDLE HOLE GUIDE D=2.0				*	☆	1	
28		B242621000D		NEEDLE HOLE GUIDE D=2.4				*	☆	1	
29		B2421210AA0		MOVING KNIFE COMPL.				*	☆	1	
30		B2418280000		MOVING KNIFE LINK				*		1	
31		B2416280000		THREAD CUTTING LEVER RING				*		1	
32		B24152800A0		THREAD CUTTER LEVER ASM. SMALL				*		1	
33		SS7090410SP		SCREW 9/64-40 L=3.5				*		2	
34		B24142800A0		THREAD CUTTER LEVER ASM. LARGE				*		1	
35		SS1060210TP		SCREW 3/32-56 L=2.2				*	☆	2	
36		B2417210000		MOVING KNIFE HINGE SCREW				*		1	
37		WP0450846SP		WASHER				*		1	
38		B2417280000		THREAD CUTTER LEVER SHAFT				*		1	
39		SS7110740TP		SCREW 11/64-40 L=7				*		1	
40		SS6110430TP		SCREW 11/64-40 L=4.0				*		1	
41		B242328000D		MOVING KNIFE WASHER D	SELECTIVE PARTS			*		1	
42		B242328000C		MOVING KNIFE WASHER C	SELECTIVE PARTS			*		1	
43		B242328000A		MOVING KNIFE WASHER A	SELECTIVE PARTS			*		1	
44		B242328000B		MOVING KNIFE WASHER B	SELECTIVE PARTS			*		1	
45		40030934		NEEDLE_PLATE				*		1	

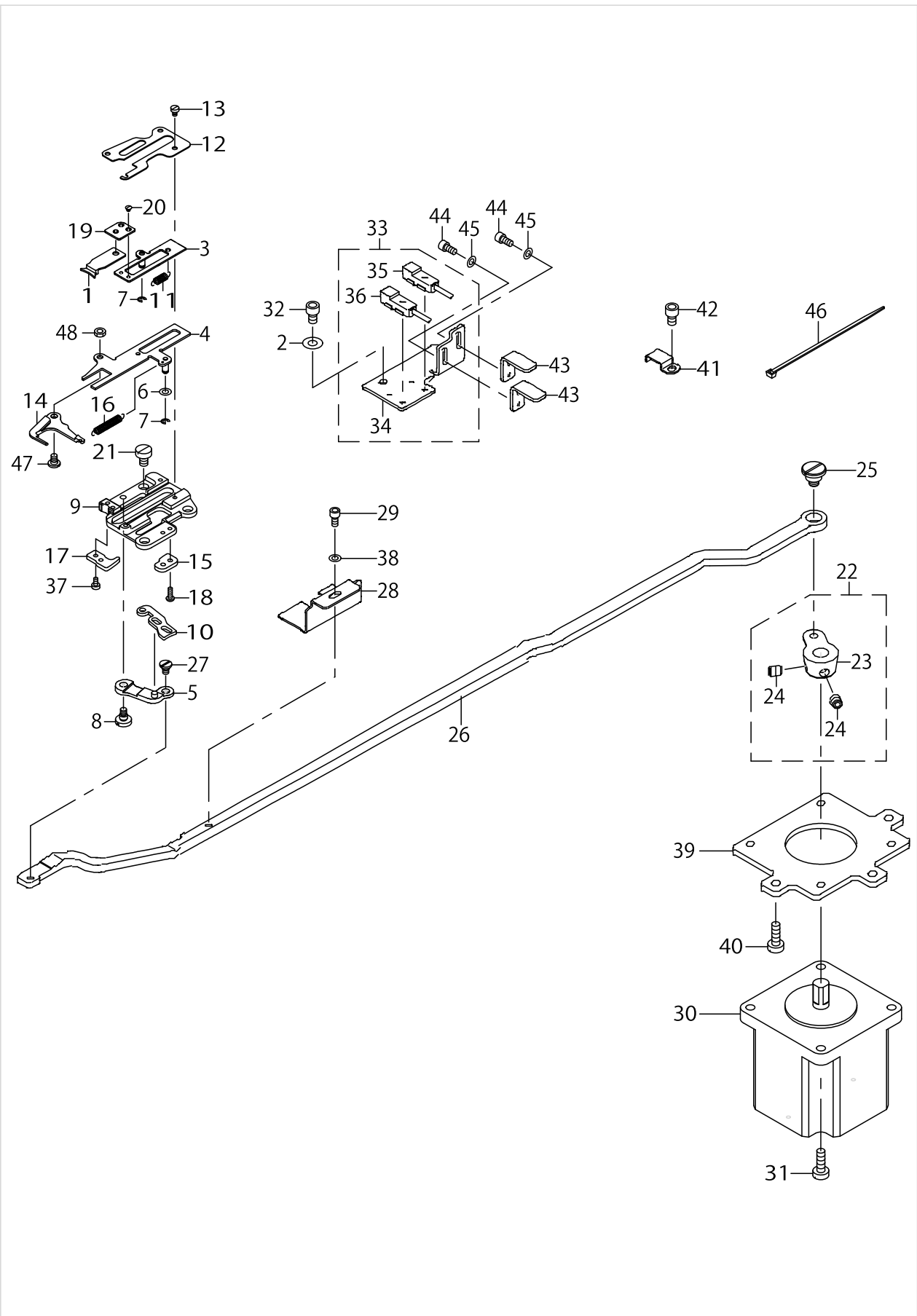
THREAD TRIMMER MECHANISM COMPONENTS



THREAD TRIMMER MECHANISM COMPONENTS

No.	Supply Code	Parts No.	Replacement	Parts name	Remarks	Choice	Step	Level	Cons	Qty	Rep. QTY
46		B2424210000		COUNTER KNIFE				*	☆	1	
47		WP0651001SC		WASHER						3	
48		B1816215P00		GUIDE PIN						2	
49		40103968		ENCODER MOTOR ASM.(TC)						1	
50		SM4051655SP		SCREW M5 L=16						4	
51		SM6040802TP		SCREW M4X0.7 L=8						1	
52		SB110002400		BEARING						1	
53		SM6040650TP		SCREW						1	
54		40006666		SENSOR_SLIT_ASM						1	

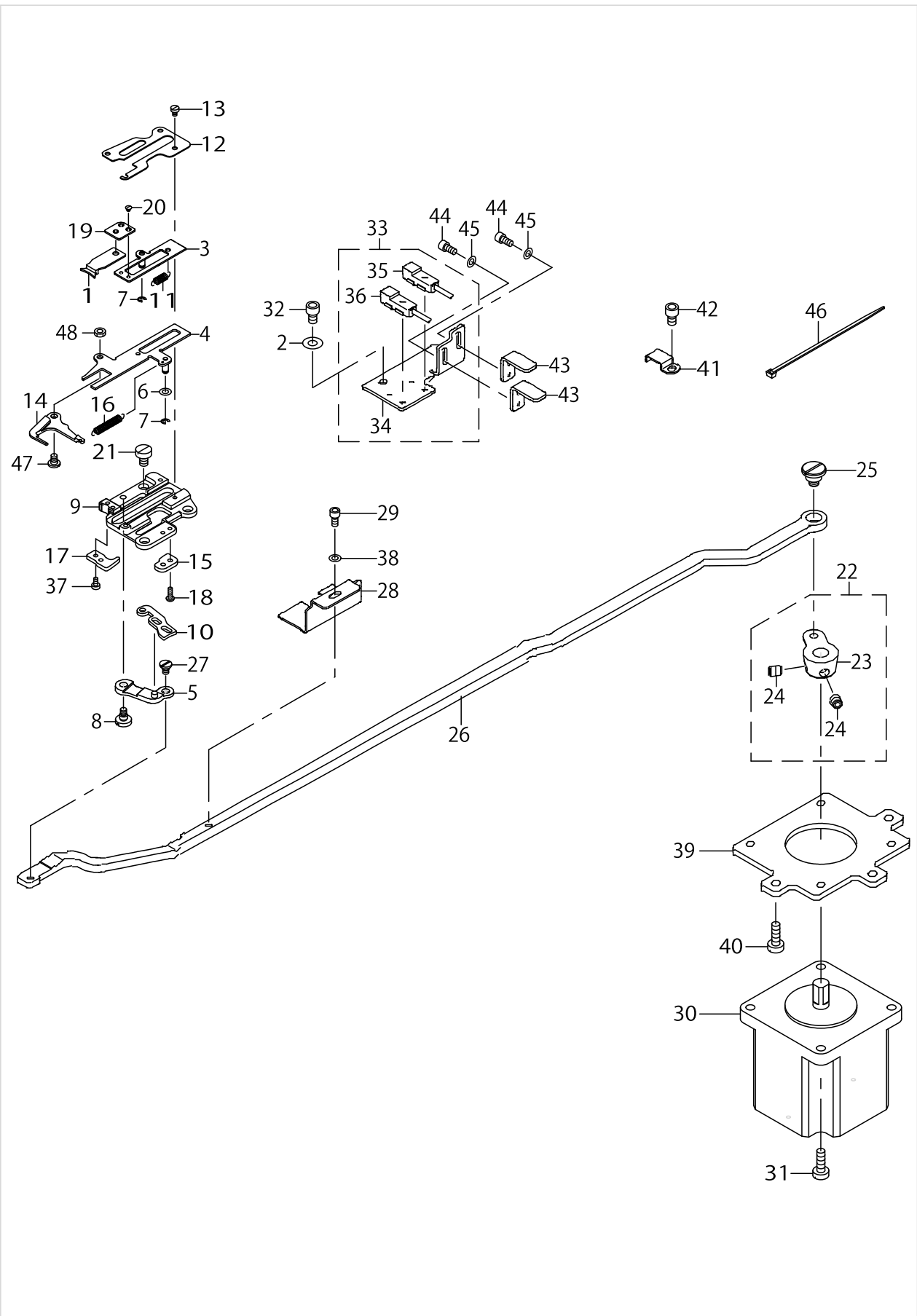
THREAD CLAMP COMPONENTS



THREAD CLAMP COMPONENTS

No.	Supply Code	Parts No.	Replacement	Parts name	Remarks	Choice	Step	Level	Cons	Qty	Rep. QTY
1		40006761		TC_CLAMP						1	
2		WP0450801SP		WASHER						1	
3		40076233		TC_CLAMP_PLATE_ASM						1	
4	R	40076238	40076235	TC_SUPPORT_PLATE						1	1.00
5		40015800		TC_LINK_ASM.						1	
6		WP0320500SC		WASHER M3						2	
7		RE0200000K0		E-RING						2	
8		SD0400266TP		SHOULDER SCREW						1	
9		40076237		TC_BASE						1	
10		40010590		TC_CAM_PLATE						1	
11		40006780		TC_SPRING						1	
12		40076236		TC_BASE_COVER						1	
13		SM6020350SP		SCREW M2 L=2.5						4	
14	R	40076239	40155049	TC_OPEN_PLATE						1	1.00
15		40030943		TC_NOTCH_R_H						1	
16		40076232		TC_OPEN_SPRING						1	
17		40030942		TC_NOTCH_F_H						1	
18		SM4020600SP		SCREW M2 L=6						2	
19		40012815		TC_JOINT_ASM						1	
20		SM2360110TP		SCREW						2	
21		SM6040650TP		SCREW						3	
22		40010527		TC_DRIVING_ARM_ASM.						1	
23	R	40010528	40010527	TC_DRIVING_ARM				*		1	1.00
24	R	40011152	40010527	TC_ARM_SCREW				*		2	1.00
25		SD0800407TP		SHOULDER SCREW						1	
26		40032187		TC_CONNECTING_LINK						1	
27		SD0350156TP		SHOULDER SCREW						1	
28		40035161		SENSOR_SLIT						1	
29		SM6030602TP		SCREW M3X0.5 L=6						1	
30		40085033		STEPPING MOTOR						1	
31		SM6041202TP		SCREW M4X0.7 L=12						4	
32		SM6040602TP		SCREW M4 L=6						1	
33		40040224		TH_SENSOR_ASM.						1	
34		40035160		SENSOR_BASE				*		1	
35	R	HD00204000A	HD00203000A	SENSOR				*		1	1.00
36	R	HD00204000B	HD00203000B	SENSOR				*		1	1.00
37		SM6020450TP		SCREW						2	
38		WP0320501SD		WASHER						1	
39		40033069		MOTOR_BASE						1	
40		SM6041202TP		SCREW M4X0.7 L=12						3	
41		B3509210000		OIL TUBE HOLDER C						2	
42		SM6040602TP		SCREW M4 L=6						2	
43		40040082		CONNECTING_LINK_SUPPORT						2	
44		SM6030602TP		SCREW M3X0.5 L=6						4	
45		WP0320501SD		WASHER						4	
46		EA9500B0100		CABLE BAND						2	

THREAD CLAMP COMPONENTS

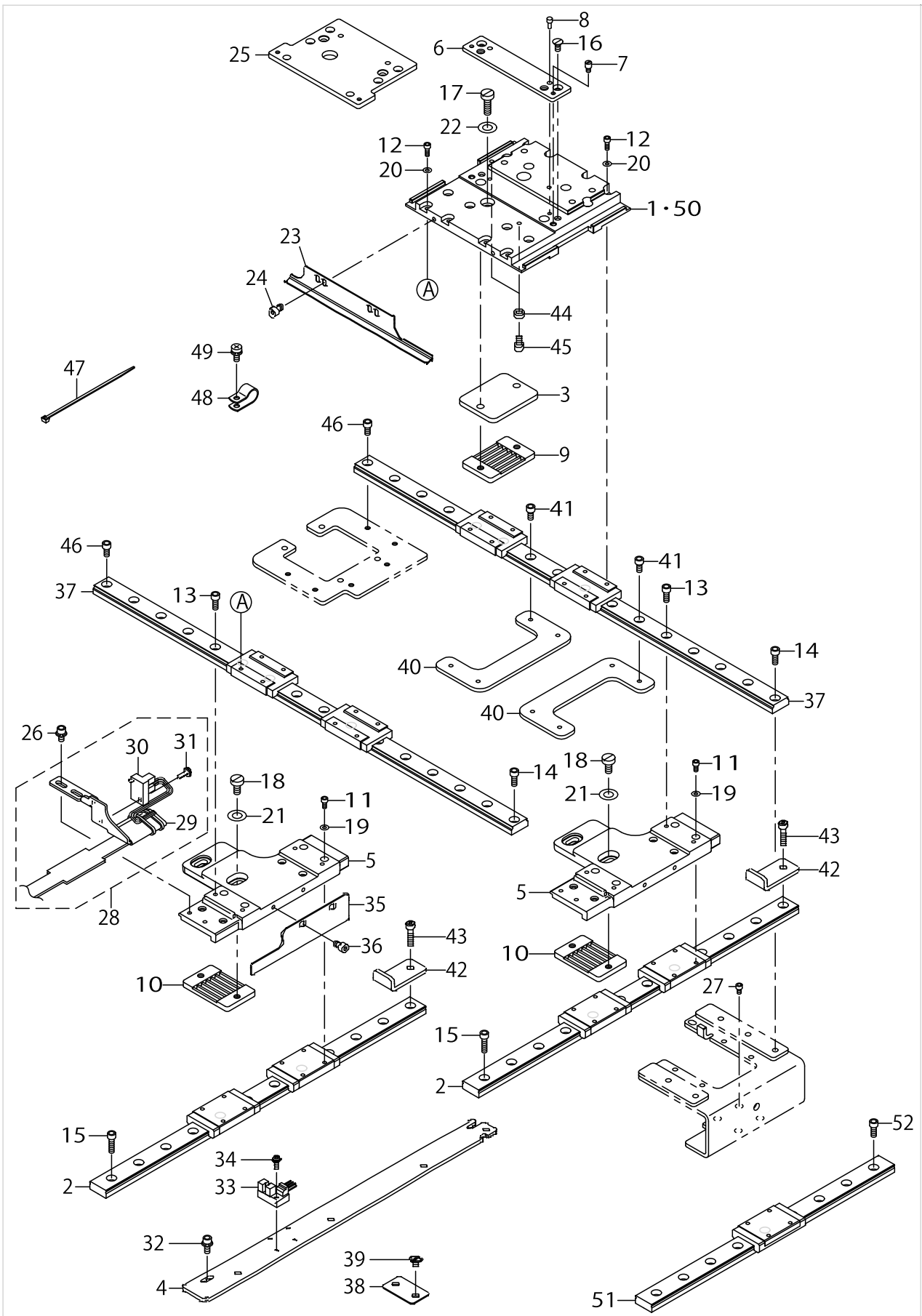


THREAD CLAMP COMPONENTS

No.	Supply Code	Parts No.	Replacement	Parts name	Remarks	Choice	Step	Level	Cons	Qty	Rep. QTY
47		SD0350156TP		SHOULDER SCREW						1	
48		NM6030003SC		NUT M3						1	



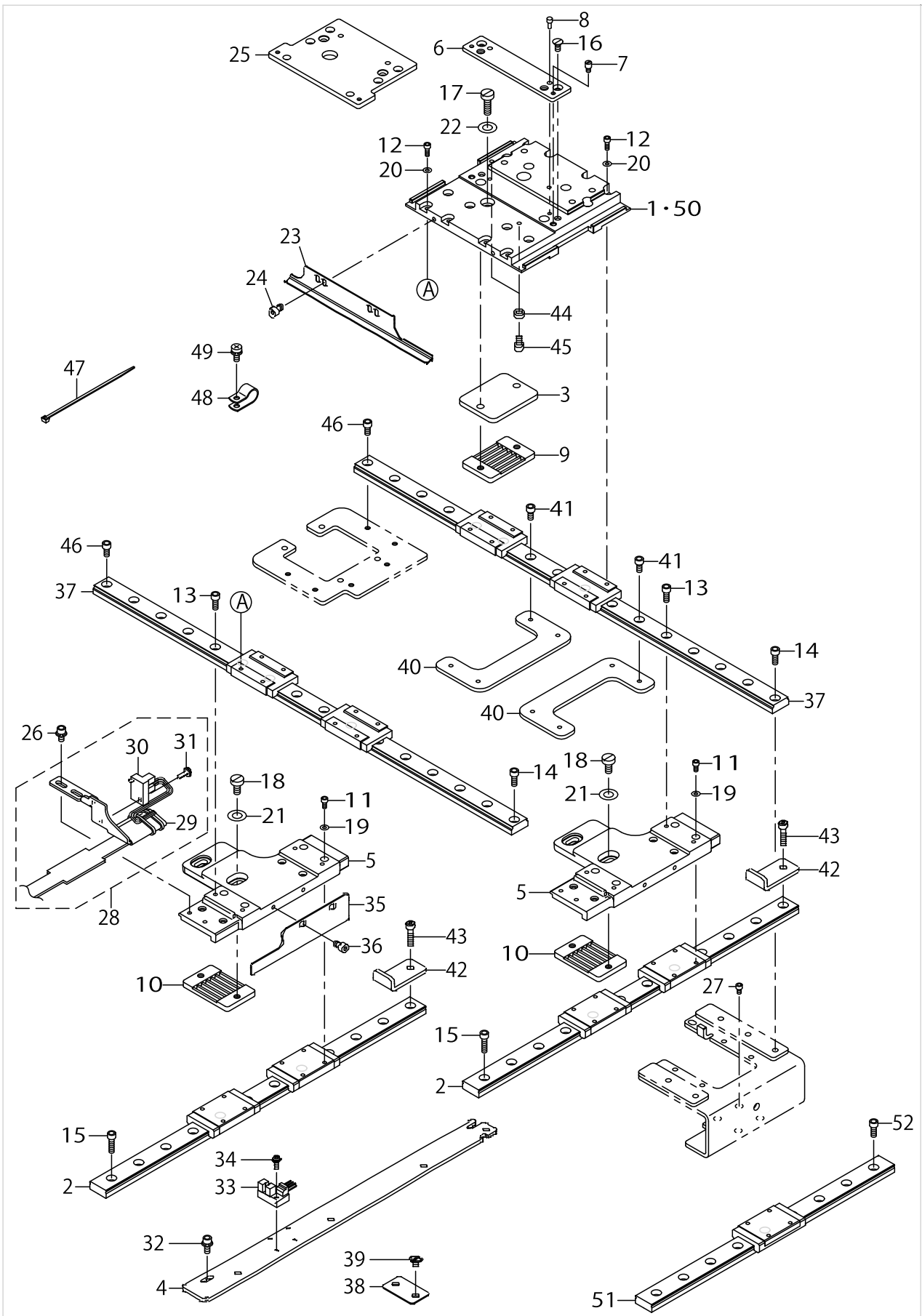
X-Y COMPONENTS (1)



X-Y COMPONENTS (1)

No.	Supply Code	Parts No.	Replacement	Parts name	Remarks	Choice	Step	Level	Cons	Qty	Rep. QTY
1		40089799		X_FEED_BASE	FOR AMS-- 221EN-2516				☆	1	
2		40089777		Y_LM_GUIDE					☆	2	
3		40032205		X_BELT_PRESSER_FIX_PLATE						1	
4		40032239		Y_SENSOR_INSTALLING_PLATE						1	
5		40089779		Y_FEED_BASE					☆	2	
6		40032217		LOWER_PLATE_INSTALLING_PLATE	FOR AMS-- 221EN-2516					1	
7		B151902600G		HINGE STUD						2	
8		B1816280000		GUIDE PIN						2	
9		40032219		BELT_RECEIVER						1	
10		40032219		BELT_RECEIVER						2	
11		SM6030602TP		SCREW M3X0.5 L=6						16	
12		SM6030802TP		SCREW M3X0.5 L=8						16	
13		SM6041002TP		SCREW M4 L=10						8	
14		SM6041002TP		SCREW M4 L=10						5	
15		SM6041402TP		SCREW M4 L=14						8	
16		SM1040870TP		SCREW						2	
17		SM6051600SP		SCREW M5 L=16						2	
18		SM6051000SP		SCREW						4	
19		WP0320500SD		M3 WASHER						16	
20		WP0320501SD		WASHER						16	
21		WP0531000SD		WASHER M5						4	
22		WP0531000SD		WASHER M5						2	
23		40032238		X_SLIT_PLATE						1	
24		SM6040602TP		SCREW M4 L=6						2	
25		40032218		LOWER_PLATE_INSTALLING_PLATE						1	
26		SL6040892TN		BOLT						2	
27		SM6030502TP		BOLT M3X5						4	
28		40073082		X_SENSOR_INSTALLING_PLATE_ASM.						1	
29		40040222		X_SENSOR_CABLE_ASM					*	1	
30		HD000570000		SENSOR					*	1	
31		SL4031091SC		SCREW M3X10					*	1	
32		SL6041092TN		SCREW						2	
33		HD00057000A		PHOTO SENSOR						1	
34		SL4031091SC		SCREW M3X10						1	
35		40032240		Y_SLIT_PLATE						1	
36		SM6040602TP		SCREW M4 L=6						2	
37		40032209		X_LM_GUIDE						2	
38		B4022221D00		FLAT CABLE CLAMP						3	
39		SM6040650TP		SCREW						6	
40		40032223		X_LM_GUIDE_SUPPORT_PLATE						2	
41		SM6040802TP		SCREW M4X0.7 L=8						4	
42		40043098		Y_STOPPER_STAY	FOR AMS-- 221EN-2516					2	
43		SM6041802TP		SCREW M4 L=18	FOR AMS-- 221EN-2516					2	
44		B3013141H0A		WASHER	FOR AMS-- 221EN-2516					2	

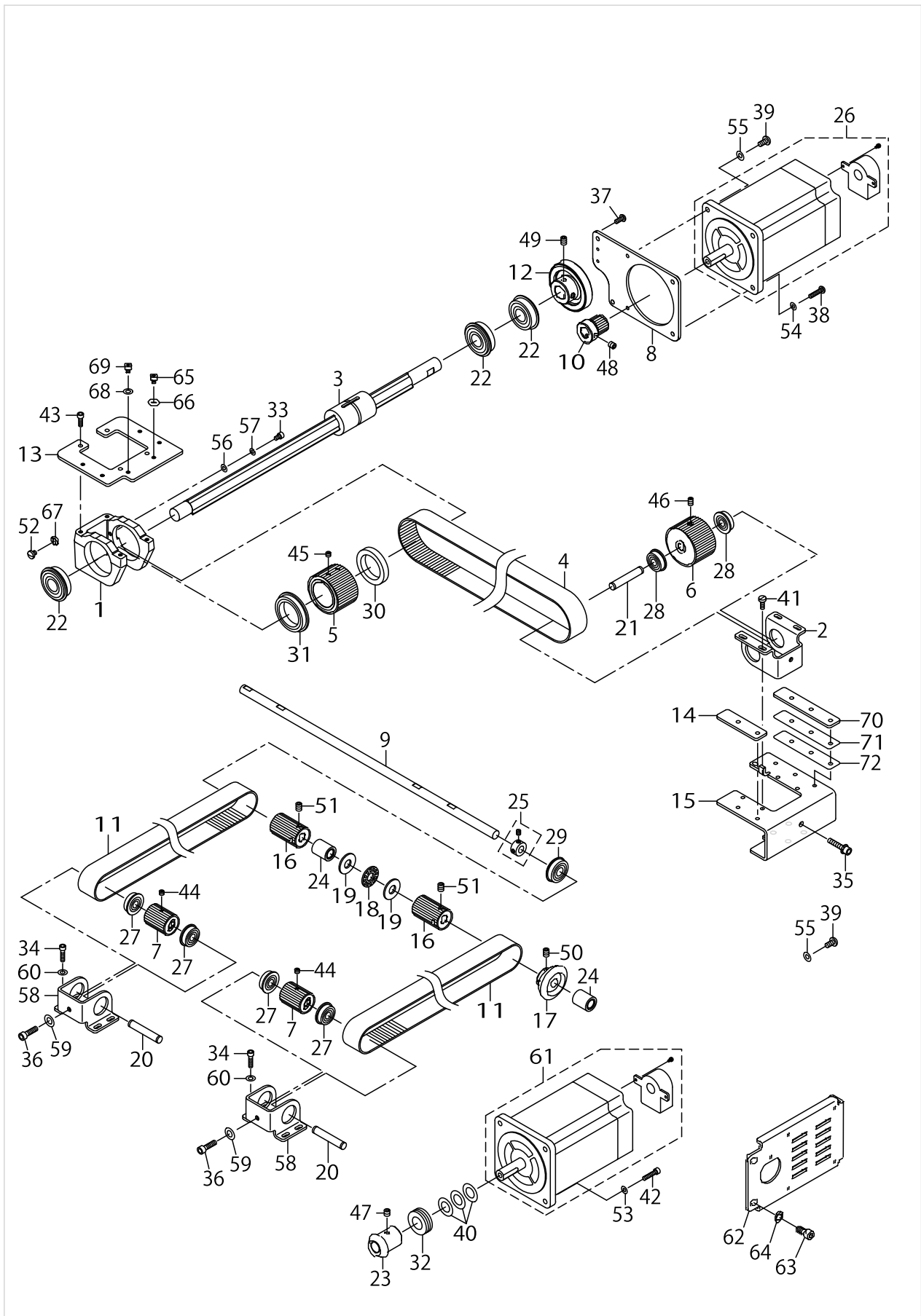
X-Y COMPONENTS (1)



X-Y COMPONENTS (1)

No.	Supply Code	Parts No.	Replacement	Parts name	Remarks	Choice	Step	Level	Cons	Qty	Rep. QTY
45		SM6040802TP		SCREW M4X0.7 L=8	FOR AMS-- 221EN-2516					2	
46		SM6040802TP		SCREW M4X0.7 L=8						4	
47		EA9500B0100		CABLE BAND						8	
48		HX00150000D		CABLE CLIP						2	
49		SL4041091SC		SCREW M4 L=10						2	
50		40032200		X_FEED_BASE						1	
51		40089778		Y_SUPPORT_LM_GUIDE					☆	1	
52		SM6041002TP		SCREW M4 L=10						7	

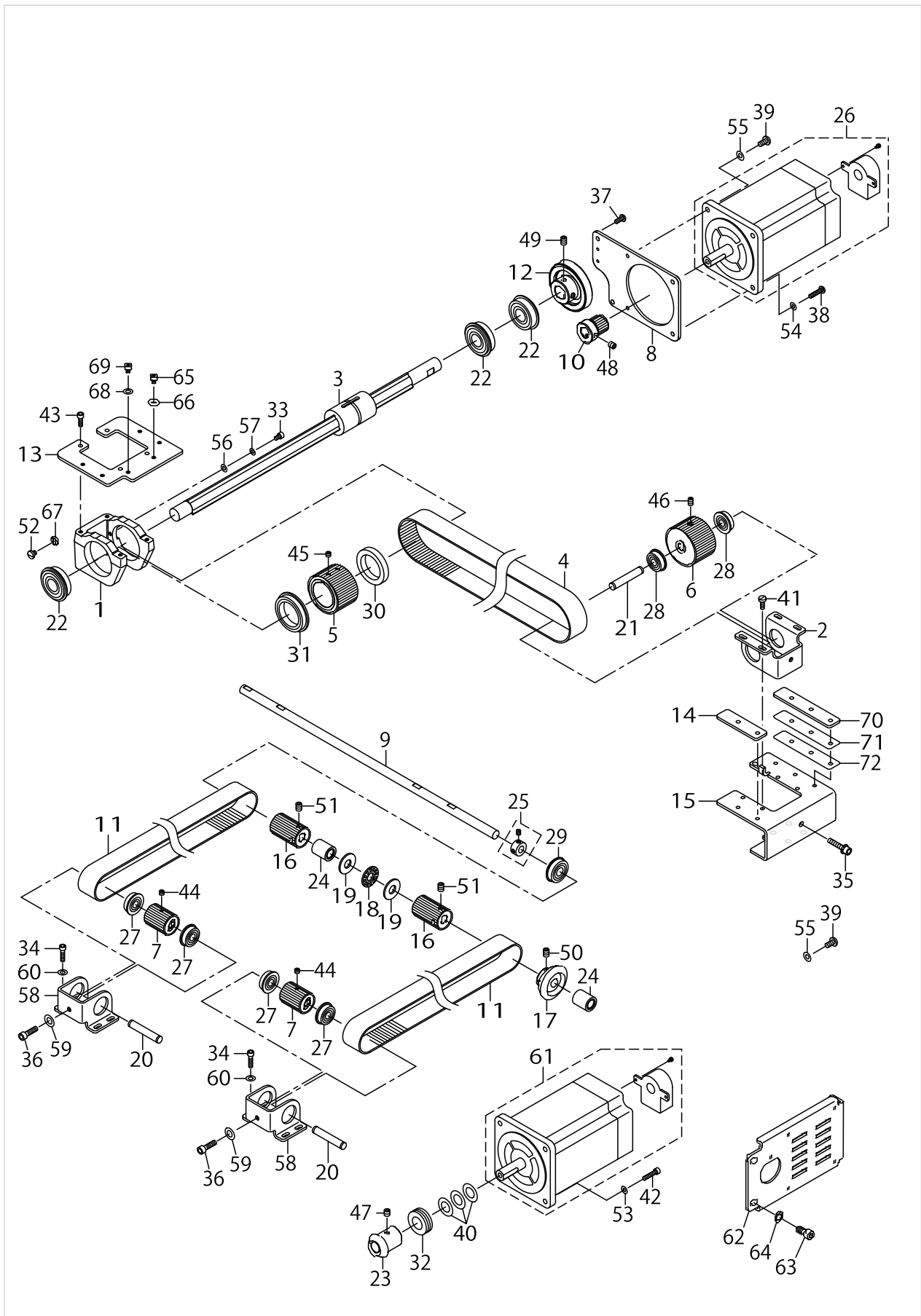
X-Y COMPONENTS (2)



X-Y COMPONENTS (2)

No.	Supply Code	Parts No.	Replacement	Parts name	Remarks	Choice	Step	Level	Cons	Qty	Rep. QTY
1		B2504221D00		X DRIVE BRACKET						1	
2		B2505221D00		DRIVEN BRACKET						1	
3		40032192		X_DRIVE_SPLINE_SHAFT						1	
4		40057368		X_TIMING_BELT						1	
5		40057370		X_DRIVE_SPROCKET						1	
6		40057371		X_DRIVEN_SPROCKET						1	
7		40032197		Y_DRIVEN_SPROCKET						2	
8		40078108		MOTOR_INSTALLING_PLATE					☆	1	
9		40032203		Y_DRIVE_SHAFT						1	
10		B2525223C00		X DRIVE WHEEL						1	
11		40093291		Y_TIMING_BELT						2	
12		B2534223C00		X DRIVEN WHEEL						1	
13		40032210		X_DRIVE_BRACKET_BASE						1	
14		40121671		BRACKET_BASE_SPACER_A						2	
15		40121232		X_DRIVEN_BRACKET_BASE						1	
16		40032215		Y_DRIVE_SPROCKET						2	
17		40032216		Y_DRIVEN_GEAR						1	
18		11272408		THRUST COLLAR						1	
19		16992604		THRUST WASHER						2	
20		22687701		SPRING SHAFT						2	
21		22687701		SPRING SHAFT						1	
22		B1802180000		BUSHING FRONT						3	
23		40032221		Y_DRIVE_GEAR						1	
24		GAT23301000		BEARING A 10						2	
25		CS100081CSP		THRUST COLLAR ASM.						1	
26		40104419		ENCODER MOTOR ASM.(X-Y)						1	
27		SB108000500		RADIAL BEARING						4	
28		SB108000500		RADIAL BEARING						2	
29		SB110001300		BEARING						1	
30		SB130000200		BEARING						1	
31		SB130000300		BEARING						1	
32		SB412000100		BEARING						1	
33		SM6040602TP		SCREW M4 L=6						1	
34		SM6041602TP		SCREW M4X0.7 L=16						8	
35		SL6052592TN		BOLT						1	
36		SM6051802TP		SCREW M5 L=18						2	
37		SM4041055SP		SCREW						2	
38		SM4042055SP		SCREW						2	
39		SM4051255SP		SCREW. M5 L=12						2	
40		B2537221D00		Y DRIVE WHEEL SPACER						3	
41		SM6041150TP		SCREW						4	
42		SM6041802TP		SCREW M4 L=18						4	
43		SM6041202TP		SCREW M4X0.7 L=12						4	
44		SM8050412TP		SCREW M5 L=4						2	
45		SM8050412TP		SCREW M5 L=4						2	
46		SM8050812TP		SCREW M5X8						1	

X-Y COMPONENTS (2)

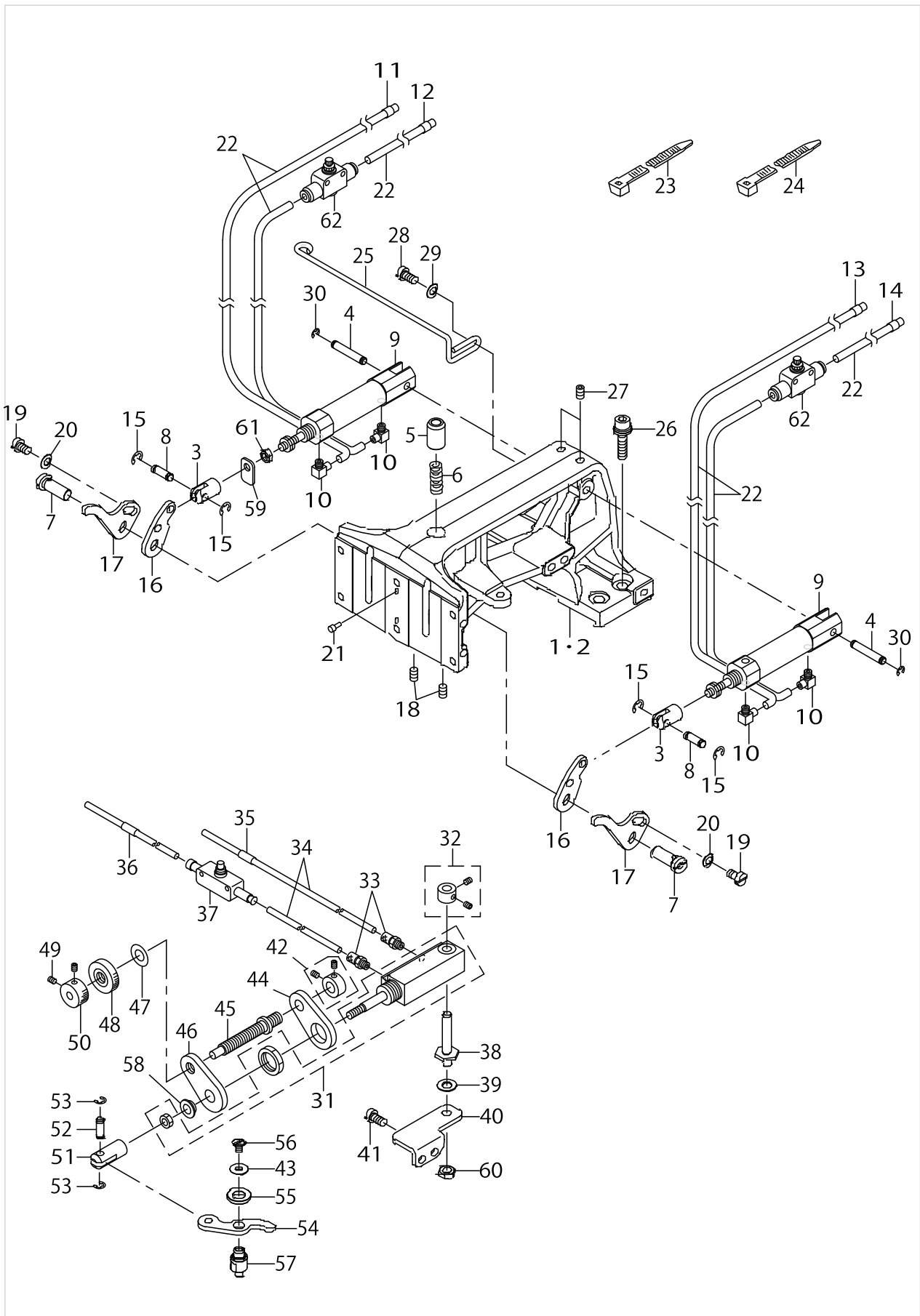


X-Y COMPONENTS (2)

No.	Supply Code	Parts No.	Replacement	Parts name	Remarks	Choice	Step	Level	Cons	Qty	Rep. QTY
47		SM8060602TP		SCREW M6X6						2	
48		SM8060602TP		SCREW M6X6						2	
49		SM8060802TP		SCREW M6 L=8						2	
50		SM8060812TP		SCREW M6 L=8						2	
51		SM8060812TP		SCREW M6 L=8						4	
52		SM6050800SP		SCREW M5 L=8						1	
53		WP0482086SD		WASHER 4.8X11.5X2						4	
54		WP0482086SD		WASHER 4.8X11.5X2						2	
55		WP0501016SD		WASHER 5X10.5X1						2	
56		WP0430801SC		WASHER 4.3X9X0.8						1	
57		WS0410002KN		SPRING WASHER						1	
58		40032191		Y_DRIVEN_BRACKET						2	
59		WP0531001SC		WASHER						2	
60		WP0450000SD		WASHER 4.5X8X0.5						8	
61		40104419		ENCODER MOTOR ASM.(X-Y)						1	
62		40043096		FAN_INSTALLING_PLATE_A						1	
63		SM6061202TN		BOLT						2	
64		WP0651001SC		WASHER						2	
65		SM6040602TP		SCREW M4 L=6	FOR AMS-- 221EN-2516					1	
66		WP0482086SD		WASHER 4.8X11.5X2	FOR AMS-- 221EN-2516					1	
67		WP0531000SD		WASHER M5						1	
68		WP0450000SD		WASHER 4.5X8X0.5						1	
69		SM6040602TP		SCREW M4 L=6						1	
70		40121230		BRACKET_BASE_SPACER						1	
71		40121766		P=SPACER						2	
72		40121767		P=SPACER_0.1						4	



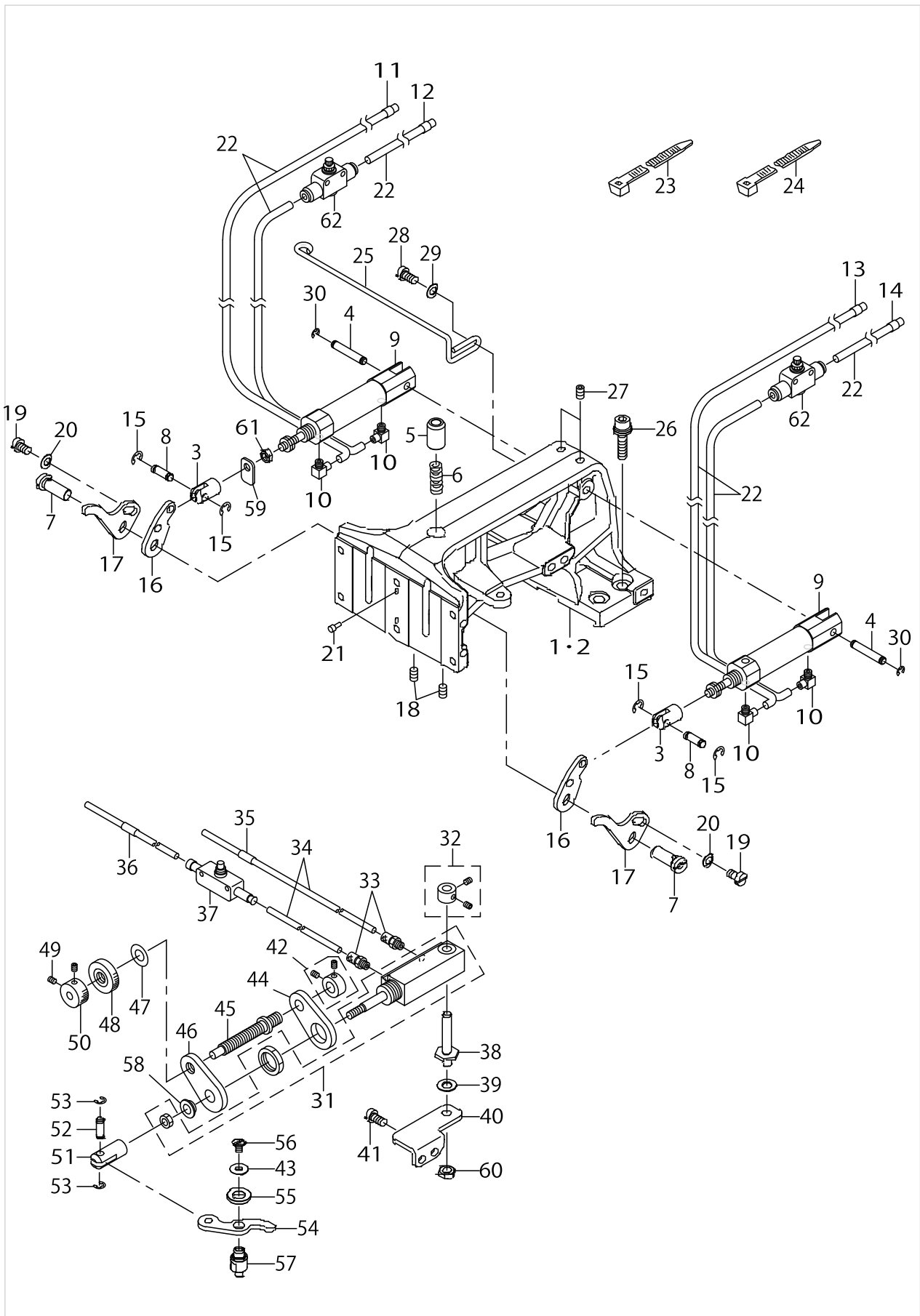
CLOTH FEED MECHANISM COMPONENTS (1)



CLOTH FEED MECHANISM COMPONENTS (1)

No.	Supply Code	Parts No.	Replacement	Parts name	Remarks	Choice	Step	Level	Cons	Qty	Rep. QTY
1		40044186		CLOTH_FEED_BASE_3020						1	
2		40034568		CLOTH_FEED_BASE_2516						1	
3		40023644		CYLINDER KNUCKLE						2	
4		B1504210000		CONNECTING SHAFT						2	
5		26017707		NEEDLE BAR BUSHING LOWER						1	
6		B2576220000		SLIDER SPRING						1	
7		26023408		FEED STUD						2	
8		40023635		CYLINDER PIN						2	
9		PA1602509A0		AIR CYLINDER						2	
10		PJ046052503		HOSE ELBOW						4	
11		B471122000C		AIR TUBE LABEL J03 LEFT						1	
12		B471122000D		AIR TUBE LABEL J04 LEFT						1	
13		B471122000G		AIR TUBE LABEL J03 RIGHT						1	
14		B471122000H		AIR TUBE LABEL J04 RIGHT						1	
15		RE0300000K0		E-RING 3						4	
16		40032229		LIFTING_LEVER_A						2	
17		40032230		LIFTING_LEVER_B						2	
18		SM8050812TP		SCREW M5X8						2	
19		SM6050800SP		SCREW M5 L=8						2	
20		WP0531000SD		WASHER M5						2	
21		B1816280000		GUIDE PIN						2	
22		BT0400251EB		URETHANE HOSE BLACK						6.34	
23		HX00233000B		CABLE BAND						1	
24		HX002330000		CLIP						10	
25		B2568223C00		AIR TUBE SUPPORT						1	
26		SL6062592TN		SCREW						4	
27		SM8050812TP		SCREW M5X8						2	
28		SM6051000SP		SCREW						2	
29		WP0531000SD		WASHER M5						2	
30		RE0320000K0		E-RING 3.2						2	
31		PA1602510A0		AIR CYLINDER						1	
32		B25792290A0		THRUST BEARING						1	
33		PJ032052503		HOSE NIPPLE						2	
34		BT0400251EB		URETHANE HOSE BLACK						3.04	
35		B471122000E		AIR TUBE LABEL J05						1	
36		B471122000F		AIR TUBE LABEL J06						1	
37		PC012401000		SPEED CONTROLLER						1	
38		40034185		SHAFT						1	
39		WP0650876SD		WASHER 6.5X13X0.8						1	
40		40034186		INSTALLING_PLATE						1	
41		SM6051000SP		SCREW						2	
42		CS079073BSH		THRUST COLLAR						1	
43		WP0431005SP		PLAIN WASHER 4.3X12X1						1	
44		B2518215000		BRACKET						1	
45		B2527215000		REGULATION SCREW						1	
46		B2518215A00		REGULATION PLATE						1	

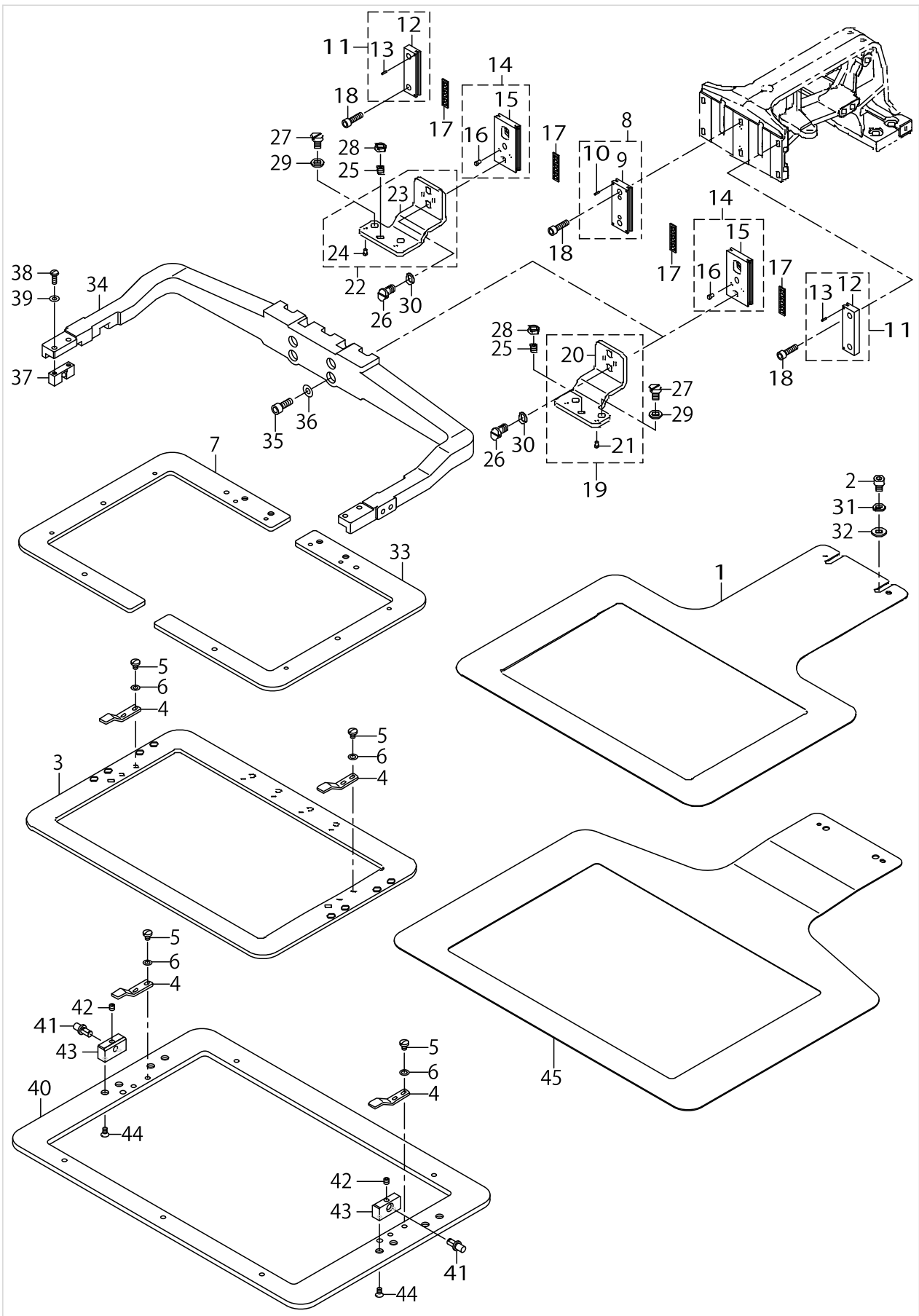
CLOTH FEED MECHANISM COMPONENTS (1)



CLOTH FEED MECHANISM COMPONENTS (1)

No.	Supply Code	Parts No.	Replacement	Parts name	Remarks	Choice	Step	Level	Cons	Qty	Rep. QTY
47		WP0820816SD		WASHER 8.2X16X0.8						1	
48		B3012816000		NUT						1	
49		SS8110422TP		SCREW 11/64-40 L=4						2	
50		B2304205000		KNOB						1	
51		B1625220000		CYLINDER KNUCKLE						1	
52		40023635		CYLINDER PIN						1	
53		RE0300000K0		E-RING 3						2	
54		B2516215000		LEVER						1	
55	R	B185351200EA	B185351200E	HOOK SHAFT WASHER						1	1.00
56		SM6040650TP		SCREW						1	
57		40032231		DRIVING_LINK_SHAFT						1	
58		B2548215000		BUSHING						1	
59		B2530215000		PRESSER PLATE						1	
60		NM6060003SC		NUT M6						1	
61		NM6050003SC		NUT M5X0.8						1	
62		PC012401000		SPEED CONTROLLER	FOR AMS-221ENHS					2	

CLOTH FEED MECHANISM COMPONENTS (2)



CLOTH FEED MECHANISM COMPONENTS (2)

No.	Supply Code	Parts No.	Replacement	Parts name	Remarks	Choice	Step	Level	Cons	Qty	Rep. QTY
1		40032226		LOWER_PLATE_2516						1	
2		SM6060802TP		SCREW M6 L=8						2	
3		40032842		FEEDING_FRAME_2516	FOR AMS-221ENHS					1	
4		B2558220000		PLASTIC BLANK PLATE						2	
5		SM4050655SP		SCREW M5 L=6						4	
6		WP0531000SD		WASHER M5						4	
7		40032844		2_STEP_FEEDING_FRAME_2516						1	
8		B26132150A0		WORK CLAMP FOOT PLATE A ASM.						1	
9	R	B2613215000	B26132150A0	WORK CLAMP FOOT PLATE A				*		1	1.00
10		PS0150065KP		SPRING PIN 1.5X6				*		4	
11		B25672150A0		WORK CLAMP FOOT PLATE B ASM.						2	
12	R	B2567215000	B25672150A0	WORK CLAMP FOOT PLATE B				*		1	1.00
13		PS0150065KP		SPRING PIN 1.5X6				*		2	
14		40032839		SLIDE_PLATE_ASM						2	
15	R	40032840	40032839	SLIDE_PLATE				*		1	1.00
16		B1816280000		GUIDE PIN				*		2	
17		B2513215000		BEARING						4	
18		SM6051802TP		SCREW M5 L=18						6	
19		40032835		RECEIVER_PLATE_RIGHT_ASM						1	
20	R	40032836	40032835	RECEIVER_PLATE_RIGHT				*		1	1.00
21		B1816280000		GUIDE PIN				*		2	
22		40032837		RECEIVER_PLATE_LEFT_ASM						1	
23	R	40032838	40032837	RECEIVER_PLATE_LEFT				*		1	1.00
24		B1816280000		GUIDE PIN				*		2	
25		SM8060812TP		SCREW M6 L=8						2	
26		SM6061200SP		SCREW						4	
27		SM6061010TP		SCREW M6 L=10						4	
28		NM6060003SC		NUT M6						2	
29		WP0641601SD		WASHER M6						4	
30		WP0651056SD		WASHER 6.5X11X1						4	
31		WS0610002KP		SPRING WASHER						2	
32		WP0611626SP		WASHER 15X6X1.6						2	
33		40044329		2_STEP_FEEDING_FRAME_2516_B						1	
34		40051500		OUTOR_FRAME_ARM						1	
35		SM6061602TP		SCREW M6 L=16						4	
36		WP0641600SC		WASHEW6.4X12.5X1.6						4	
37		40051770		FEEDING FRAME BALL CATCH						2	
38		SM4041255SP		SCREW M4 L=12						4	
39		WP0450000SD		WASHER 4.5X8X0.5						4	
40		40032843		FEEDING_FRAME_3020						1	
41		B2560220000		SUPPORT PIN						2	
42		SM8050512TP		SCREW						2	
43		40051769		FEEDING FRAME S-UPP PORT BEARING						2	
44		SM1040870TP		SCREW						4	
45		40051782		LOWER PLATE 3020						1	

TABLE COMPONENTS

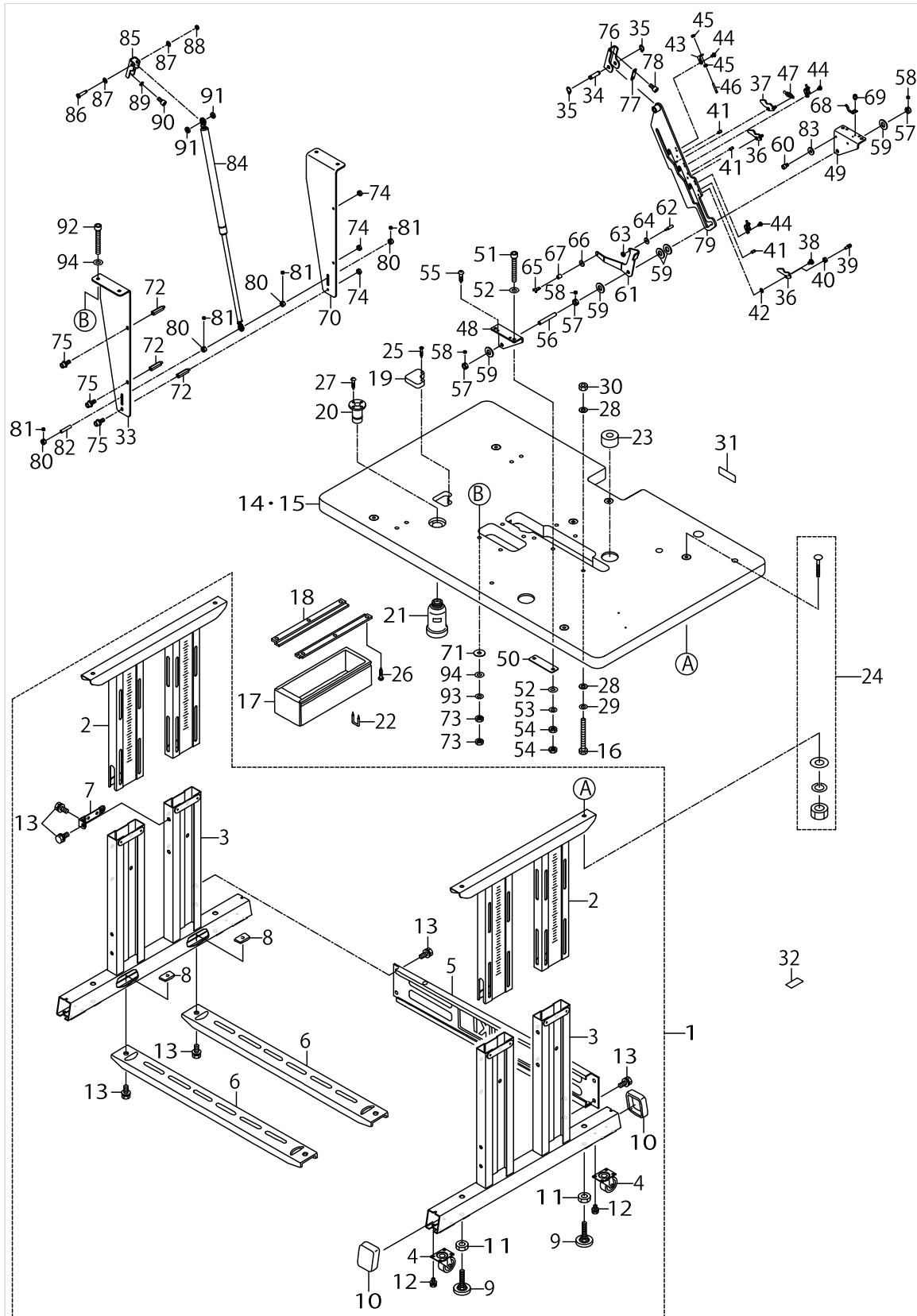


TABLE COMPONENTS

No.	Supply Code	Parts No.	Replacement	Parts name	Remarks	Choice	Step	Level	Cons	Qty	Rep. QTY
1	D R	B8101221DA0	B8101221DB0	STAND ASM.		A				1	1.00
1	D R	B8101221DA0	B8110373N00	STAND ASM.		A				1	4.00
1	D R	B8101221DA0	B8150221D00	STAND ASM.		A				1	4.00
2		B8102221DA0		UPPER STAND COMPL.				*		2	
3		B8103221DA0		STAND COMPL.				*		2	
4		B8150221D00		CASTER				*		4	
5	D	11158300		STAND SIDE SUPPORT				*		1	
6		11158409		STAND SIDE SUPPORT				*		2	
7		11158516		UPPER STAND PLATE				*		4	
8		17007402		NUT				*		4	
9		17833658		ADJUSTING BOLT ASM.				*		4	
10		B8110373N00		CAP				*		4	
11		NM6120003SE		NUT M12				*		4	
12		SL9061293SE		WASHER HEXAGONAL BOLT				*		16	
13		SL9082093SE		SCREW				*		20	
14		40090320		TABLE					☆	2	
15		40090434		TABLE_ASM					☆	1	
16		SM9087533SC		SCREW M8 L=75						1	
17	R	11155108	11155157	DRAWER						1	1.00
18		11155207		DRAWER SUPPORT						2	
19		B8171223C00		RUBBER ABSORBER						1	
20		B8202205000		OIL MANAGEMENT						1	
21		B9121012000		OIL CAN						1	
22		D8204555D00		DRAWER STOPPER						1	
23		G5151171000		CUSHION						2	
24		MTJMS00000S		SCREW SET						4	
25		SK1382501SE		WOOD SCREW D=3.8 L=25						1	
26	R	SK3311600SC	SK3311601SE	WOOD SCREW D=3.1 L=16						6	1.00
27	R	SK3311600SC	SK3311601SE	WOOD SCREW D=3.1 L=16						2	1.00
28		WP0841600SE		WASHER 8.4X15.5X1.6						2	
29		WS0820002KN		SPRING WASHER M8						1	
30		NM6080001SC		NUT M8X1.25						1	
31		CM500100001		CE MARKING LABEL	FOR JE					1	
32		16870206		GRAVITY SEAL						1	
33		40098325		LIFTER_BRACKET_A					☆	1	
34		40091078		PIVOT_SHAFT					☆	1	
35		RC0100001KP		SNAP RING M10						2	
36		40089790		GUIDE_PLATE_B					☆	2	
37		40089789		GUIDE_PLATE_A					☆	1	
38		SD0600326TP		SHOULDER SCREW D=6 H=3.2						3	
39		40011926		SPRING_HOOK						3	
40		NM6040001SC		NUT M4X0.7 TYPE1						3	
41		PS0400082KP		SPRING PIN						3	
42		10523702		WASHER						3	
43		40086365		SPRING_HOOK_BRACKET					☆	3	
44		SM4040655SP		SCREW M4 L=6						6	



TABLE COMPONENTS

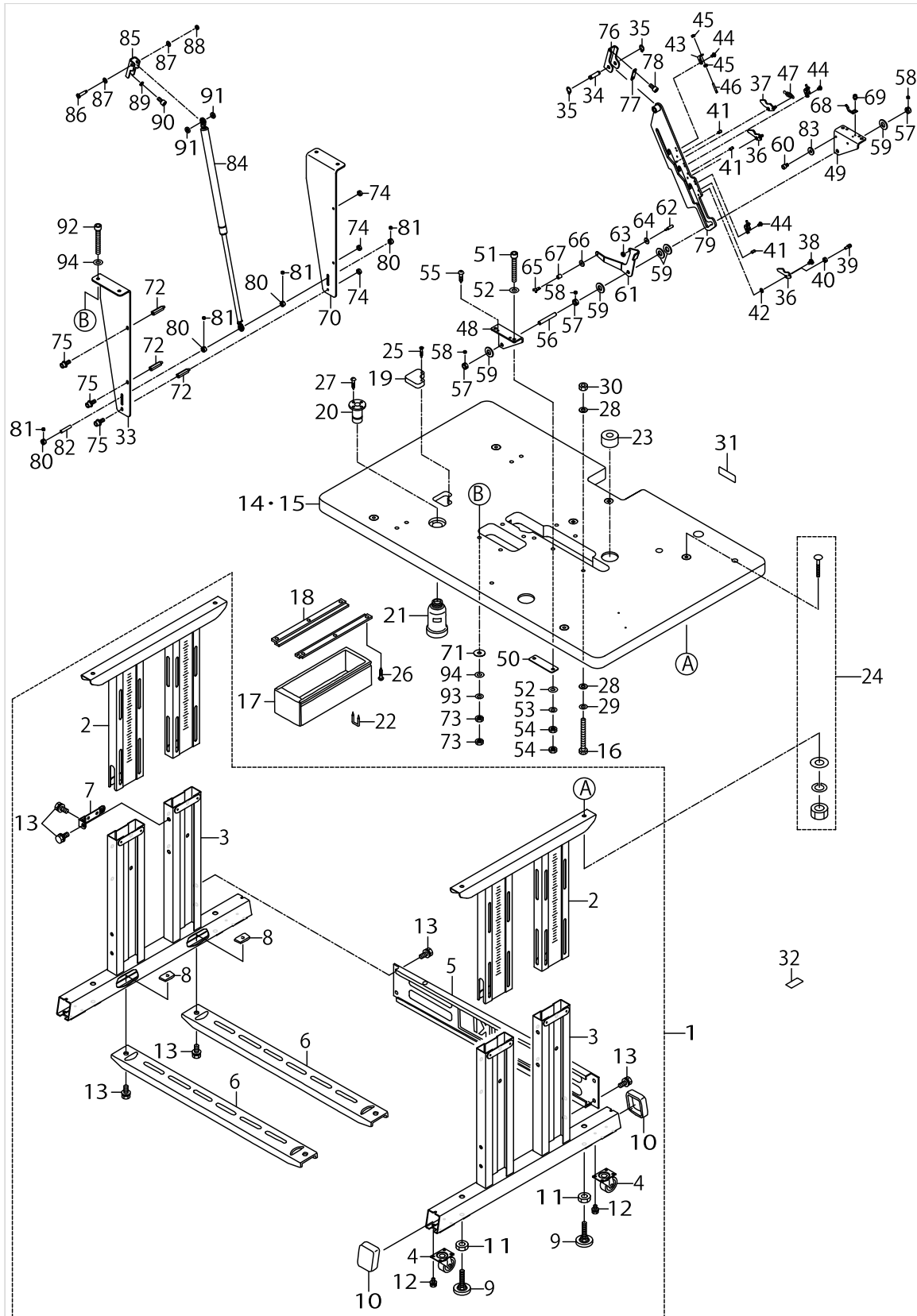


TABLE COMPONENTS

No.	Supply Code	Parts No.	Replacement	Parts name	Remarks	Choice	Step	Level	Cons	Qty	Rep. QTY
45		NS6110310SP		NUT 11/64-40						6	
46		26226506		SPRING HOOK						3	
47		13888201		SPRING						3	
48		40089786		BOTTOM_STOPPER_BASE_A					☆	1	
49		40089787		BOTTOM_STOPPER_BASE_B					☆	1	
50		40089792		SPACER_B					☆	2	
51		SM6086002TP		SCREW						4	
52		WP0850002SP		WASHER 8.5X18X1.6						8	
53		WS0820002KN		SPRING WASHER M8						4	
54		NM6080003SC		NUT M8						8	
55		SK3582501SE		WOOD SCREW D=5.8 L=25						4	
56		40089791		GUIDE_PIN					☆	1	
57		CS1000881TP		THRUST COLLAR						3	
58		SM8050412TP		SCREW M5 L=4						6	
59		WP1022016SH		WASHER						5	
60		SM6050802TP		SCREW M5X0.8 L=8						2	
61		40091075		RELEASE_LEVER					☆	1	
62		40011205		STUD						1	
63		NM6040001SC		NUT M4						1	
64		WP0431005SP		PLAIN WASHER 4.3X12X1						1	
65		SD0601406TP		SHOULDER SCREW D=6 H=14						1	
66		WP0431005SP		PLAIN WASHER 4.3X12X1						1	
67		GAW01502000		OILLESS SHAFT HOLDER						1	
68		40091076		LOCK_SPRING					☆	1	
69		SL6040692TN		BOLT						2	
70		40098326		LIFTER_BRACKET_B					☆	1	
71		B1628191B00		BODY CAP B						4	
72		40016705		OIL_TANK_STUD_A						3	
73		NM6080003SC		NUT M8						8	
74		NM6060003SC		NUT M6						3	
75		SL6061692TN		BOLT						3	
76		40089785		TOP_STOPPER_BASE					☆	1	
77		40091083		SPACER_A					☆	1	
78		SM6061202TN		BOLT						2	
79		40091362		STOPPER_PLATE_ASM					☆	1	
80		CS0800881TP		THRUST COLLAR						4	
81		SM8050412TP		SCREW M5 L=4						8	
82		B2539223C00		X IDLER SHAFT						1	
83		WP0522016SH		WASHER						2	
84		40089783		GAS_SPRING					☆	1	
85		40089782		LIFTER_BRACKET_C					☆	1	
86		40089784		SHOULDER_SCREW					☆	1	
87		B1223771000		NEEDLE ROD CRANK WASHER						2	
88		NM6060001SC		NUT M6						1	
89		WS0610002KP		SPRING WASHER						2	
90		SM6061202TN		BOLT						2	

# TABLE COMPONENTS

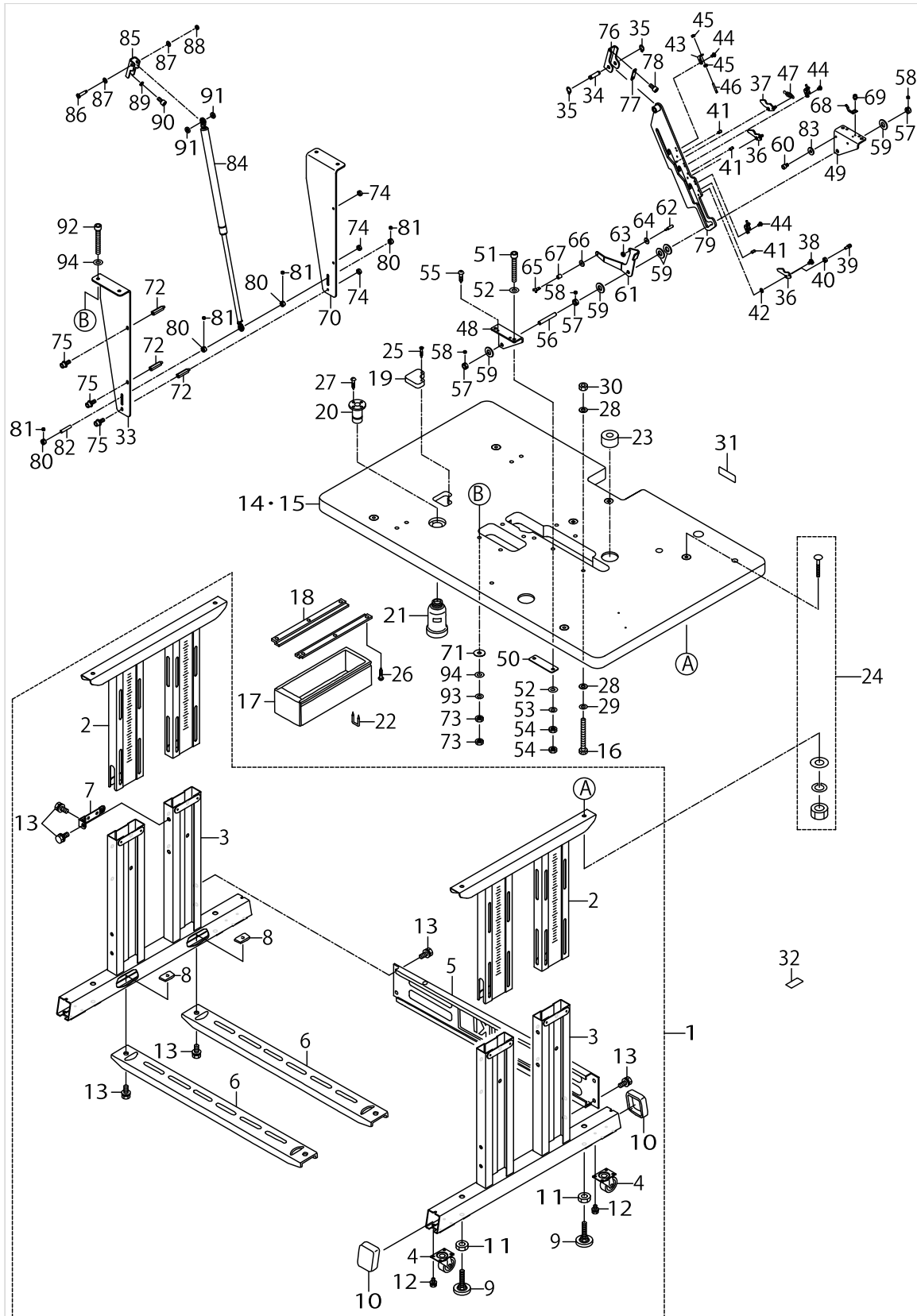
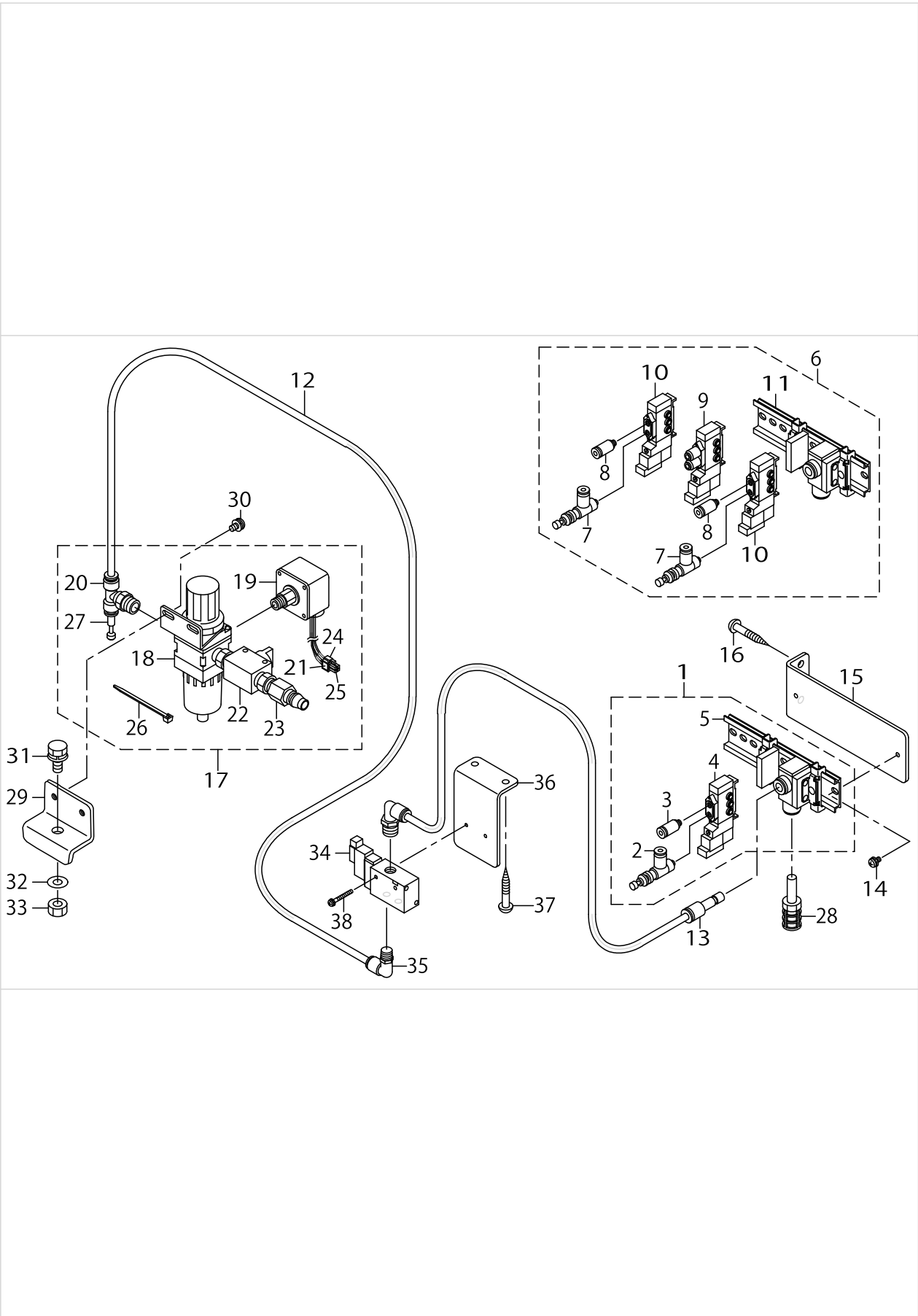


TABLE COMPONENTS

No.	Supply Code	Parts No.	Replacement	Parts name	Remarks	Choice	Step	Level	Cons	Qty	Rep. QTY
91		40051536		CUSHION						2	
92		SM6086002TP		SCREW						4	
93		WS0820002KN		SPRING WASHER M8						4	
94		WP0850002SP		WASHER 8.5X18X1.6						8	

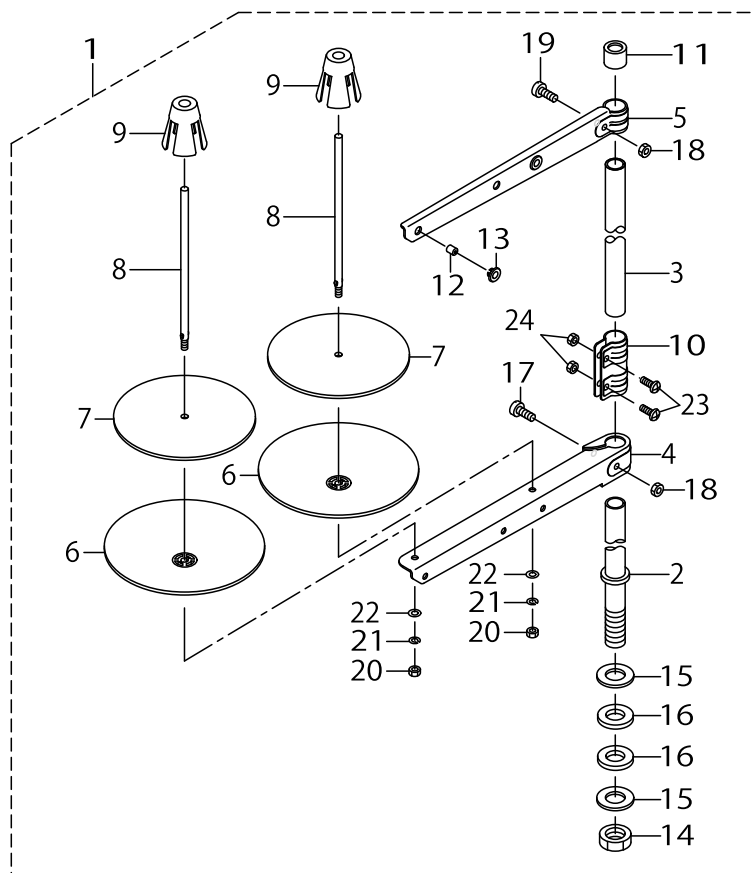
PNEUMATIC COMPONENTS



PNEUMATIC COMPONENTS

No.	Supply Code	Parts No.	Replacement	Parts name	Remarks	Choice	Step	Level	Cons	Qty	Rep. QTY
1		40032232		SOLENOID_VALVE_A_ASM	FOR AMS-221ENHS					1	
2		PF070501000		PRESSURE DECREASING VALVE				*		1	
3		PJ301040505		HALF UNION				*		1	
4		PV150209100		SOLENOID VALVE				*		1	
5		PV915005000		SOLENOID VALVE I- NSTALLING BASE				*		1	
6		40032233		SOLENOID_VALVE_B_ASM						1	
7		PF070501000		PRESSURE DECREASING VALVE				*		2	
8		PJ301040505		HALF UNION				*		2	
9		PV150209000		5 PORT SOLENOID VALVE				*		1	
10		PV150209100		SOLENOID VALVE				*		2	
11		PV915005000		SOLENOID VALVE I- NSTALLING BASE				*		1	
12		BT0600401EB		TUBE						.75	
13		PJ301060003		REDUCER						1	
14		SL4040891SC		SCREW M4 L=8						2	
15		40030950		SORENOID_VALVE_FITTING_BASE						1	
16		SK3452500SC		WOOD SCREW D=4.5 L=25						2	
17		40030951		FILTER_REGULATOR_ASM.						1	
18		PF0552040B0		FILTER REGULATOR				*		1	
19	R	G8124270000	G85048750A0	AIRPRESSUESWITCH		A	AVP-875	*		1	1.00
19	R	G8124270000	40030951	AIRPRESSUESWITCH		B	AMS-210E- N,AMS-221EN	*		1	1.00
19	R	G8124270000	B47152150A0	AIRPRESSUESWITCH		C	MEB-3200,- LK-1910/2- 0/30/41,AMS-224E	*		1	1.00
20		PJ305065202		TEE				*		1	
21	D	E2678453000		CONNECTOR MARKER J78				*		1	
22		PV015211000		HAND VALVE				*		1	
23		PJ025200003		PLUG				*		1	
24		HK034610040		HOUSING				*		1	
25		HK034640000		PIN CONTACT				*		3	
26		EA9500B0100		CABLE BAND				*		5	
27		PX950009000		PLUG				*		1	
28		PX050003000		SILENCER						1	
29		40023662		FILTER INSTALLING PLATE						1	
30		SL4051091SC		SCREW M5X0.8 L=10						2	
31		SL9082093SE		SCREW						1	
32		WP0871602SE		WASHER 8.7X18X1.6						1	
33		NM6080721SE		NUT M8						1	
34		PV135129000		3-PORT SOLENOID VALVE						1	
35		PJ304065101		ELBOW UNION 6XPT1/8						2	
36		40105704		SOLENOID_INSTALLING_PLATE					☆	1	
37		SK3452500SC		WOOD SCREW D=4.5 L=25						2	
38		SL4032591SC		SCREW M3X25						2	

THREAD STAND COMPONENTS

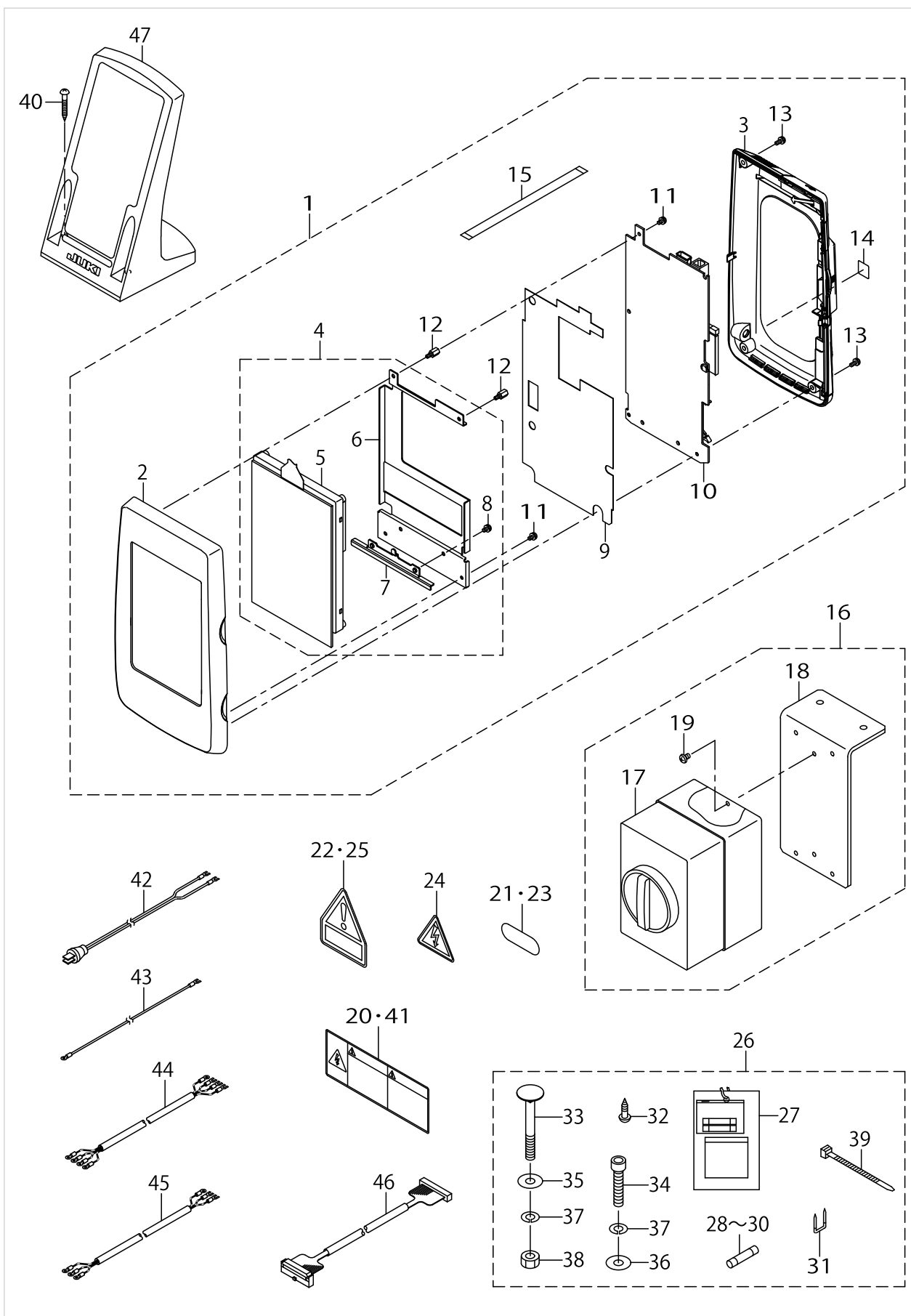


THREAD STAND COMPONENTS

No.	Supply Code	Parts No.	Replacement	Parts name	Remarks	Choice	Step	Level	Cons	Qty	Rep. QTY
1		40096354		THREAD STAND ASM.						1	
2		40085784		SPOOL REST ROD LOWER				*		1	
3		40085785		SPOOL REST ROD UPPER				*		1	
4		40085786		SPOOL REST ARM LOWER				*		1	
5		40085787		SPOOL REST ARM UPPER				*		1	
6		40085788		SPOOL REST				*		2	
7		40085789		SPOOL REST CUSHION				*		2	
8		40085790		SPOOL PIN				*		2	
9		40085791		SPOOL RETAINER				*		2	
10		40085792		SPOOL REST ROD JOINT				*		1	
11		40085793		SPOOL REST ROD RUBBER CAP				*		1	
12		40085794		THREAD GUIDE				*		2	
13		40085795		THREAD GUIDE BUSHING				*		2	
14		40096325		SPOOL REST ROD NUT				*		1	
15		WP1612616SE		WASHER 16X30X2.6				*		2	
16		40085796		SPOOL REST ROD RUBBER CUSHION				*		2	
17		40096326		SPOOL REST ARM LOWER SCREW				*		1	
18		NM6050001SE		NUT M5				*		2	
19	R	40096327	SM4053001SE	SPOOL REST ARM UPPER SCREW				*		1	1.00
20		NM6050001SE		NUT M5				*		2	
21		WS0510002KN		SPRING WASHER M5				*		2	
22		WP0531001SC		WASHER M5				*		2	
23		SM4051405SE		SCREW M5 L=14				*		2	
24		NM6050001SE		NUT M5				*		2	



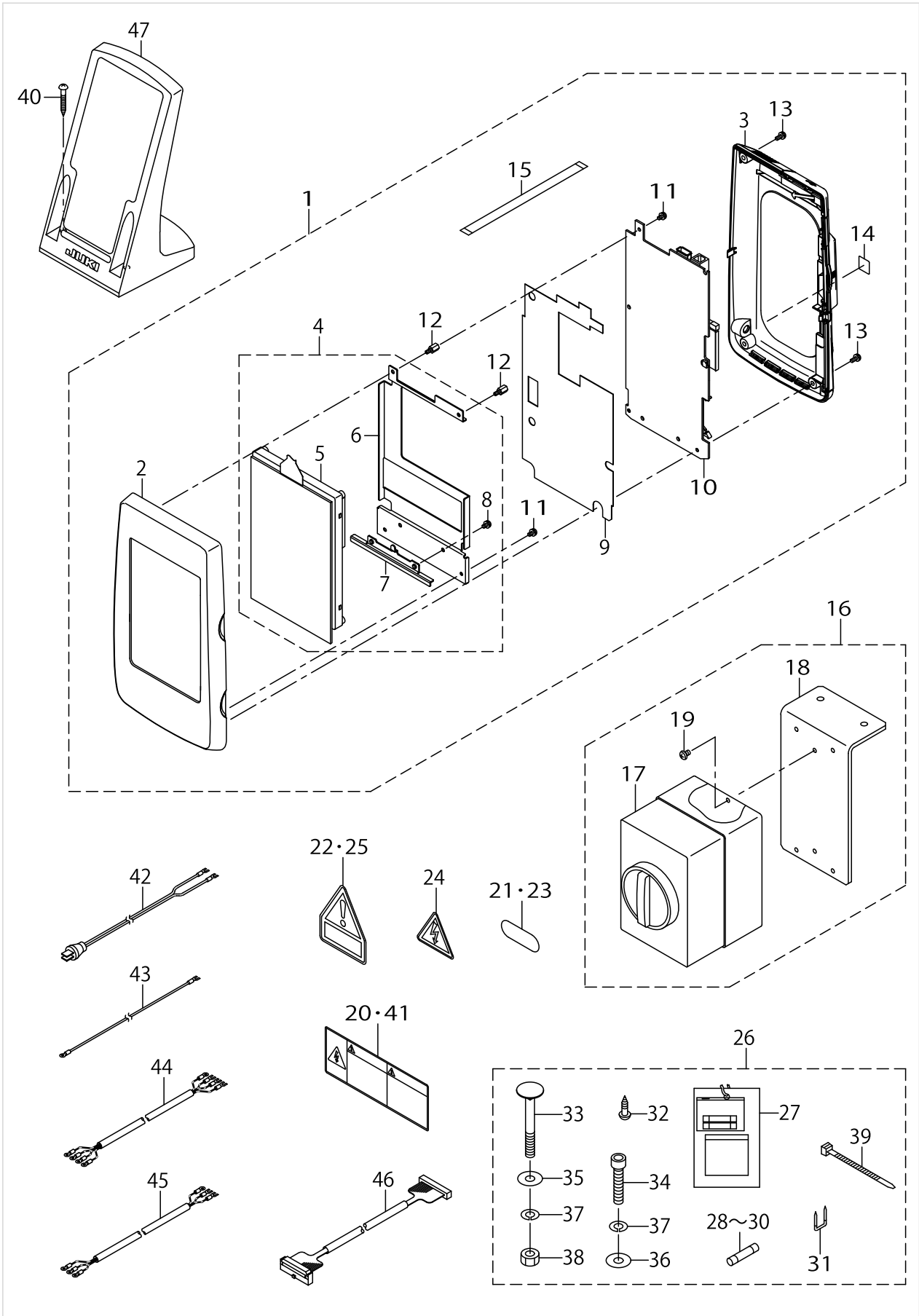
OPERATION PANEL COMPONENTS



OPERATION PANEL COMPONENTS

No.	Supply Code	Parts No.	Replacement	Parts name	Remarks	Choice	Step	Level	Cons	Qty	Rep. QTY
1		40086485		IP-420F PANEL ASSY						1	
2		40078163		FRONT_CASE				*		1	
3		40080799		REAR_CASE_ASSY				*		1	
4		40080800		LCD_ASSY				*		1	
5		40086541		LCD TOUCH PANEL ASSY	TECHNICAL INFOMATI- ON (A16-029)			*		1	
6		40083668		LCD_BRACKET	TECHNICAL INFOMATI- ON (A16-029)			*		1	
7	R	40083666	40080800	LCD_STAY				*		1	1.00
8		SL4030681SC		SCREW M3 L=6				*		2	
9		40078168		INSULATION_SHEET				*		1	
10	R	40083960	40086541	PANEL PCB ASSY		A		*		1	1.00
10	R	40083960	40083668	PANEL PCB ASSY		A		*		1	1.00
10	R	40083960	40166481	PANEL PCB ASSY		A		*		1	1.00
10	R	40083960	40166318	PANEL PCB ASSY		A		*		1	1.00
10	R	40083960	HW002650330	PANEL PCB ASSY		A		*		1	1.00
11		SL4030681SC		SCREW M3 L=6				*		3	
12		HX00354000B		PCB SUPPORT L=8MM				*		2	
13		SL4030881SC		SCREW M3X8				*		4	
14		CM600100101		WEEE MARK LABEL S				*		1	
15	R	HW002180200	HW002650330	FLAT CABLE		A		*		1	1.00
15	R	HW002180200	40083668	FLAT CABLE		A		*		1	1.00
15	R	HW002180200	40086541	FLAT CABLE		A		*		1	1.00
15	R	HW002180200	40166481	FLAT CABLE		A		*		1	1.00
15	R	HW002180200	40166318	FLAT CABLE		A		*		1	1.00
16		40081602		POWER SWITCH ASM						1	
17		HA005820000		SWITCH				*		1	
18		40081603		SWITCH INSTALLATION BOARD				*		1	
19		SL4041091SE		SCREW M4 L=10				*		2	
20		CM300100401		LABEL 3 (LARGE)	FOR USE IN JAPAN(1-PHASE)					1	
21		BME01100000		VOLTAGE INDICATION SEAL	FOR USE IN JAPAN(1-PHASE)					1	
22		CM300400701		VOLTAGE CAUTION LABEL	FOR USE IN JAPAN,JA					1	
23		BME03200000		VOLTAGE INDICATION SEAL	FOR USE IN JAPAN,JA					1	
24		CM300100003		VOLTAGE WARNING LABEL(25)	FOR JE,GE- NERAL EXPORT					1	
25		CM300400601		VOLTAGE CAUTION LABEL	FOR JE,GE- NERAL EXPORT					1	
26		40085316		OPTION A ASSY						1	
27		M300451100A		VOLTAGE INDICATION CARD A				*		1	
28		HF00130315S		FUSE 3.15A 250V REF. NO.112				*		1	
29		HF003000200		FUSE 2A (220/240V)				*		1	
30		HF0013050P0		FUSE 5A				*		1	
31	D	MA011532000		STAPLE				*		5	
32		SK3512001SE		WOOD SCREW D=5.1 L=20				*		2	
33		MTSHJ100003		BOLT				*		2	
34		SM6084002TN		SCREW M8 L=40				*		1	

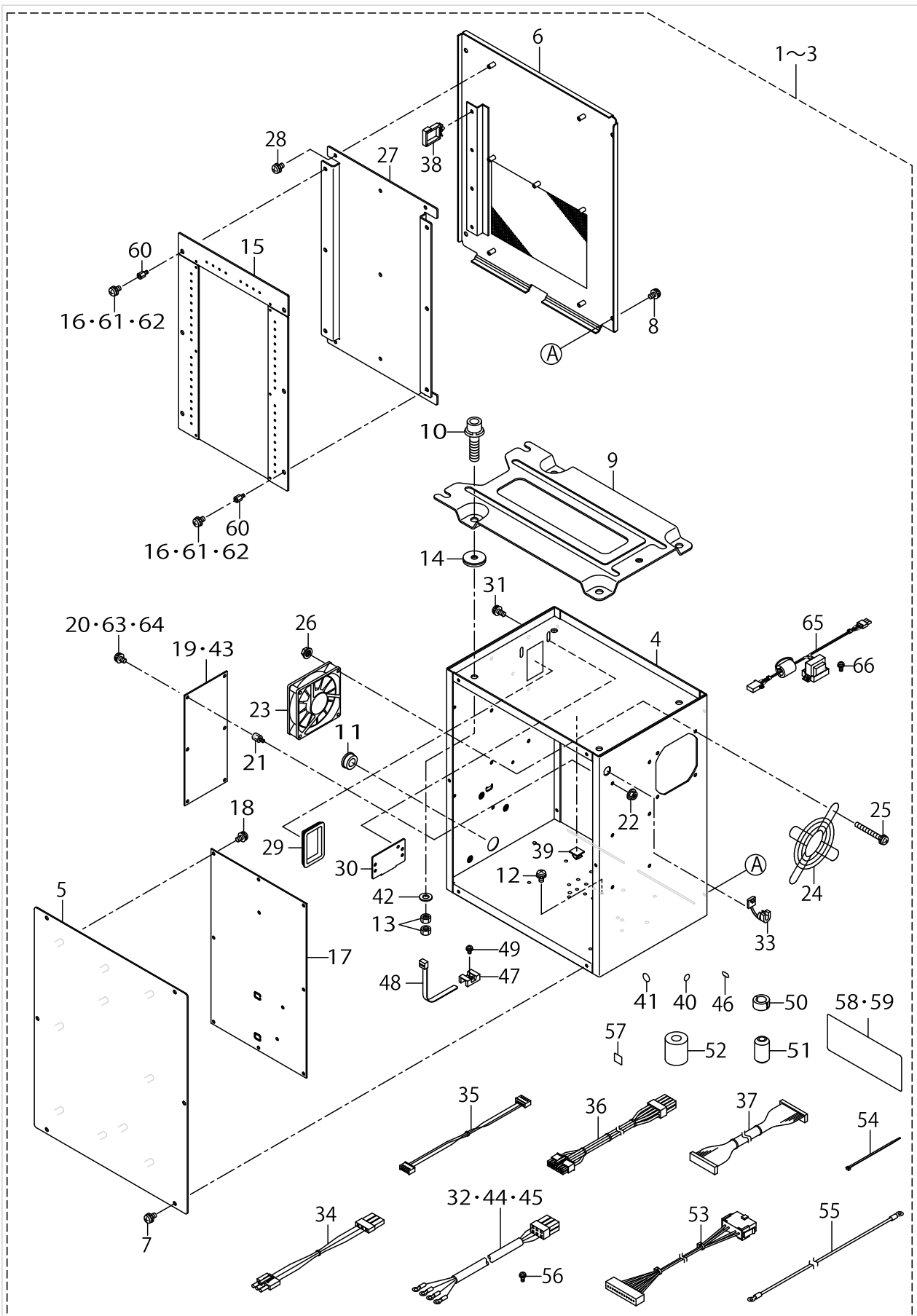
OPERATION PANEL COMPONENTS



OPERATION PANEL COMPONENTS

No.	Supply Code	Parts No.	Replacement	Parts name	Remarks	Choice	Step	Level	Cons	Qty	Rep. QTY
35		WP0852086SC		WASHER M8				*		2	
36		WP0841601SC		WASHER 8.4X17.4X1.6				*		1	
37		WS0820002KR		SPRING WASHER M8				*		3	
38		NM6080002SC		NUT M8				*		2	
39		HX00065000A		CABLE CLIP				*		2	
40		SK3413201SE		WOOD SCREW D=4.1 L=32						2	
41		CM300100401		LABEL 3 (LARGE)	FOR USE IN JAPAN,JA					1	
42		40086468		POWER CABLE 1P PLUG ASSY	FOR USE IN JAPAN(1-PHASE)					1	
43		M90345800A0		GROUND CORD ASM.	FOR USE IN JAPAN(1-PHASE)					1	
44		40086469		POWER CABLE 3P ASSY	FOR USE IN JAPAN,JA					1	
45		40086470		POWER CABLE 1P ASSY	FOR JE,GE- NERAL EXPORT					1	
46		40065566		PANEL CABLE D ASM						1	
47		40035024		OPERATION_BOX_FIXED_PLATE(B)ASM						1	

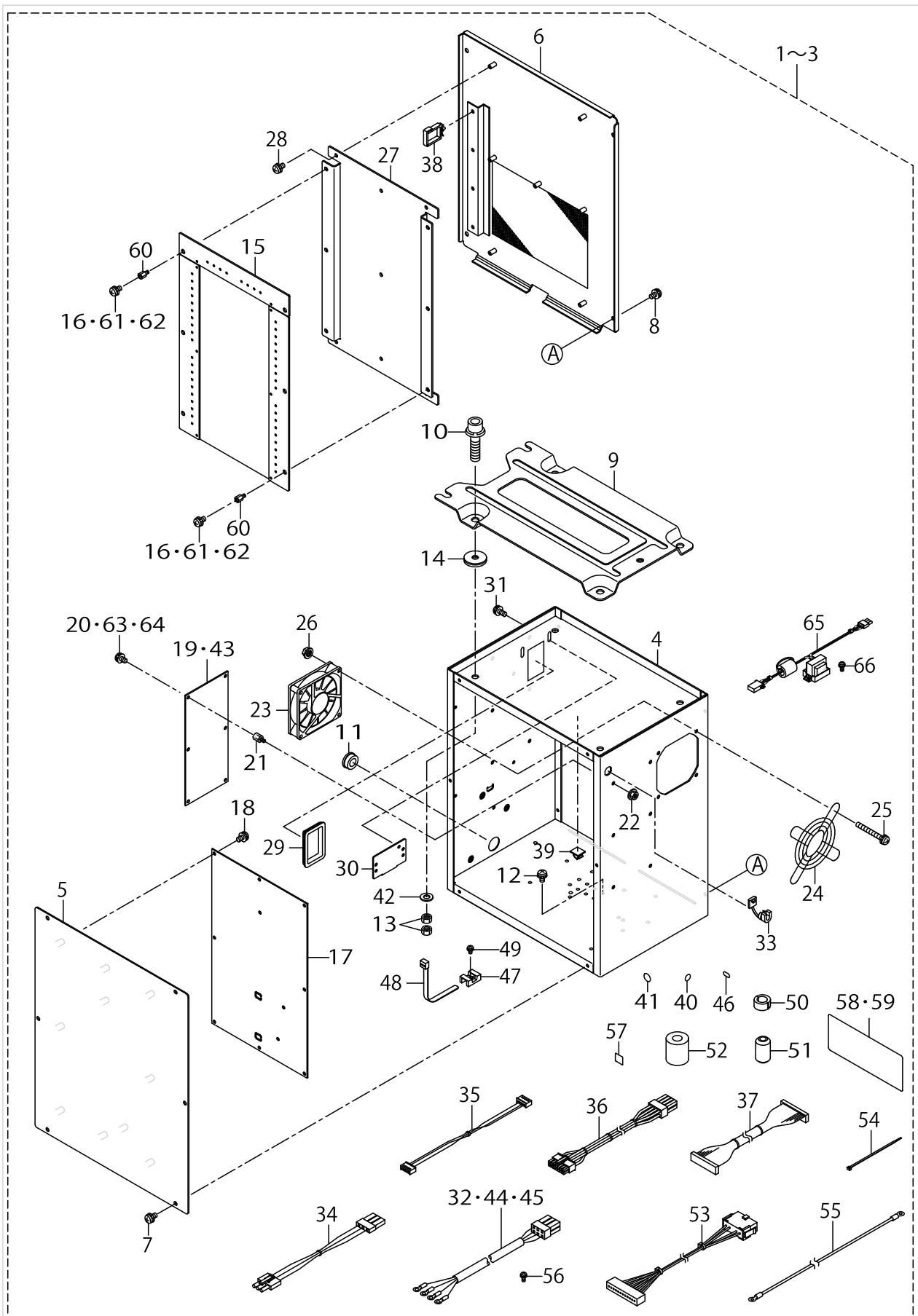
CONTROL BOX COMPONENTS



CONTROL BOX COMPONENTS

No.	Supply Code	Parts No.	Replacement	Parts name	Remarks	Choice	Step	Level	Cons	Qty	Rep. QTY
1		40081621		MC-588 BOX A	FOR MC-588 BOX A					1	
2		40081622		MC-588 BOX B						1	
3		40081623		MC-588 BOX C						1	
4		40055355		CONTROL BOX				*		1	
5		40094018		CONTROL BOX FRONT COVER				*		1	
6		40094019		CONTROL BOX REAR COVER				*		1	
7		SL4040891SC		SCREW M4 L=8				*		6	
8		SL4040891SC		SCREW M4 L=8				*		4	
9		M3801476000		TRANSMISSION BOX FITTING PLATE				*		1	
10		SL6083092TN		SCREW				*		4	
11		HX00326000K		GROMMET				*		1	
12		SL4040891SC		SCREW M4 L=8				*		4	
13		NM6080001SC		NUT M8X1.25				*		8	
14		M4206461000		WASHER				*		4	
15		40081590		MAIN PCB B ASSY				*		1	
16		SL4040881SC		SCREW M4 L=8				*		6	
17		40082758		SDC PCB A ASSY				*		1	
18		SL4040881SC		SCREW M4 L=8				*		10	
19		40000056		FLT-T PCB A ASS'Y	FOR MC-588 BOX A			*		1	
20		SL4040881SC		SCREW M4 L=8				*		6	
21		HX003390000		STUD				*		6	
22		NM3040520SC		NUT M4				*		6	
23		40005401		FAN MOTOR ASS'Y				*		1	
24		KM000000480		FAN MOTOR				*		1	
25		SL4043591SC		SCREW				*		4	
26		NM3040520SC		NUT M4				*		4	
27		40005706		MAIN PCB HOLDER PLATE				*		1	
28		SL4040881SC		SCREW M4 L=8				*		5	
29		HX004070000		BUSH				*		1	
30		17845009		CORD FITTING PLATE				*		1	
31		SL4041091SC		SCREW M4 L=10				*		2	
32		40086465		POWER CORD 3P ASSY	FOR MC-588 BOX A			*		1	
33		HX00410000A		STRAIN RELIEF BUSHING				*		1	
34		40005393		FLT-SDC CORD P ASS'Y				*		1	
35		40005394		FLT-SDC CORD S ASS'Y				*		1	
36		40005726		SDC-MAIN CORD P ASS'Y				*		1	
37		40005727		SDC-MAIN CORD S ASS'Y				*		1	
38		HX005110000		WIRE SADDLE				*		3	
39		E9607603000		STICKER (SMALL)				*		1	
40		E9567319000		EARTH MARK				*		1	
41		40003458		MASK SEAL				*		15	
42		WP0841601SC		WASHER 8.4X17.4X1.6				*		4	
43		40162838		FLT-CE PCB A ASSY				*		1	
44		40086466		POWER CORD JE ASSY				*		1	
45		40086467		POWER CORD 1P ASSY				*		1	
46		CM200100001		PE MARK LABEL				*		1	

CONTROL BOX COMPONENTS

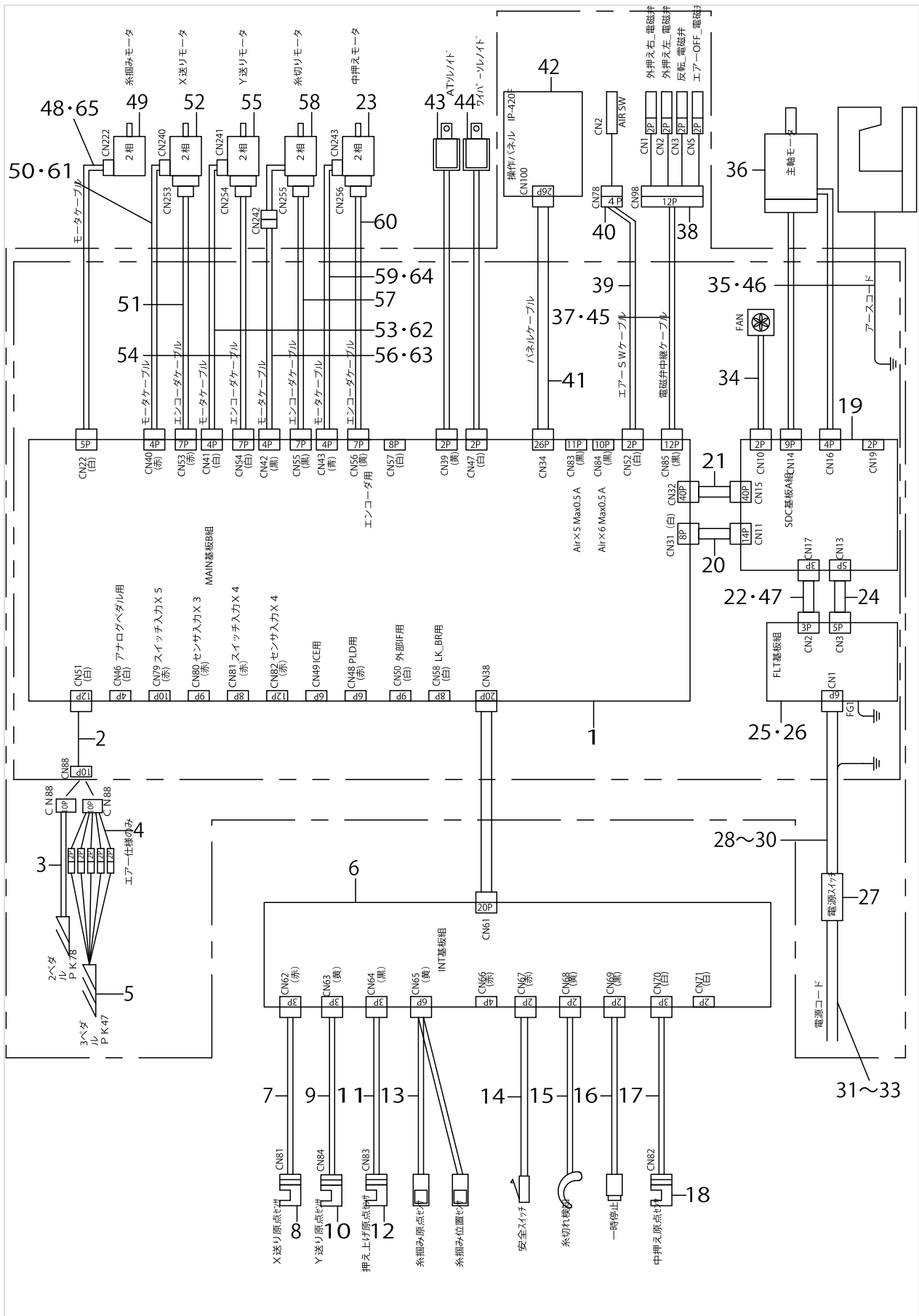


CONTROL BOX COMPONENTS

No.	Supply Code	Parts No.	Replacement	Parts name	Remarks	Choice	Step	Level	Cons	Qty	Rep. QTY
47		KX000000210		SADDLE TYPE TIE MOUNT				*		1	
48		KX000000230		RELEASIBLE CABLE TIE				*		1	
49		SL4040881SC		SCREW M4 L=8				*		1	
50		HN002460000		CORES				*		1	
51		HN002840000		CORES				*		1	
52		HN001490000		CLAMP FILTER(L)				*		1	
53		40073659		SW RELAY CORD ASM				*		1	
54		EA9500B0100		CABLE BAND				*		1	
55		M90295800A0		FDD EARTH CORD ASM.				*		1	
56		SL4041081SC		SCREW M4 L=10				*		1	
57		CM600100101		WEEE MARK LABEL S				*		1	
58		40051640		ELECTRICAL_RATING_LABEL_UNIVERSAL				*		1	
59	D	40057278		ELECTRICAL_RATING_LABEL_CE_UNIVERSAL				*		1	
60		HX00339000M		SPACER				*		5	
61		SL4040881SC		SCREW M4 L=8				*		1	
62		SL4041091SC		SCREW M4 L=10				*		5	
63		SL4040881SC		SCREW M4 L=8				*		5	
64		SL4041081SC		SCREW M4 L=10				*		1	
65		40163025		REACTOR CORD ASSY				*		1	
66		SL4040891SC		SCREW M4 L=8				*		2	



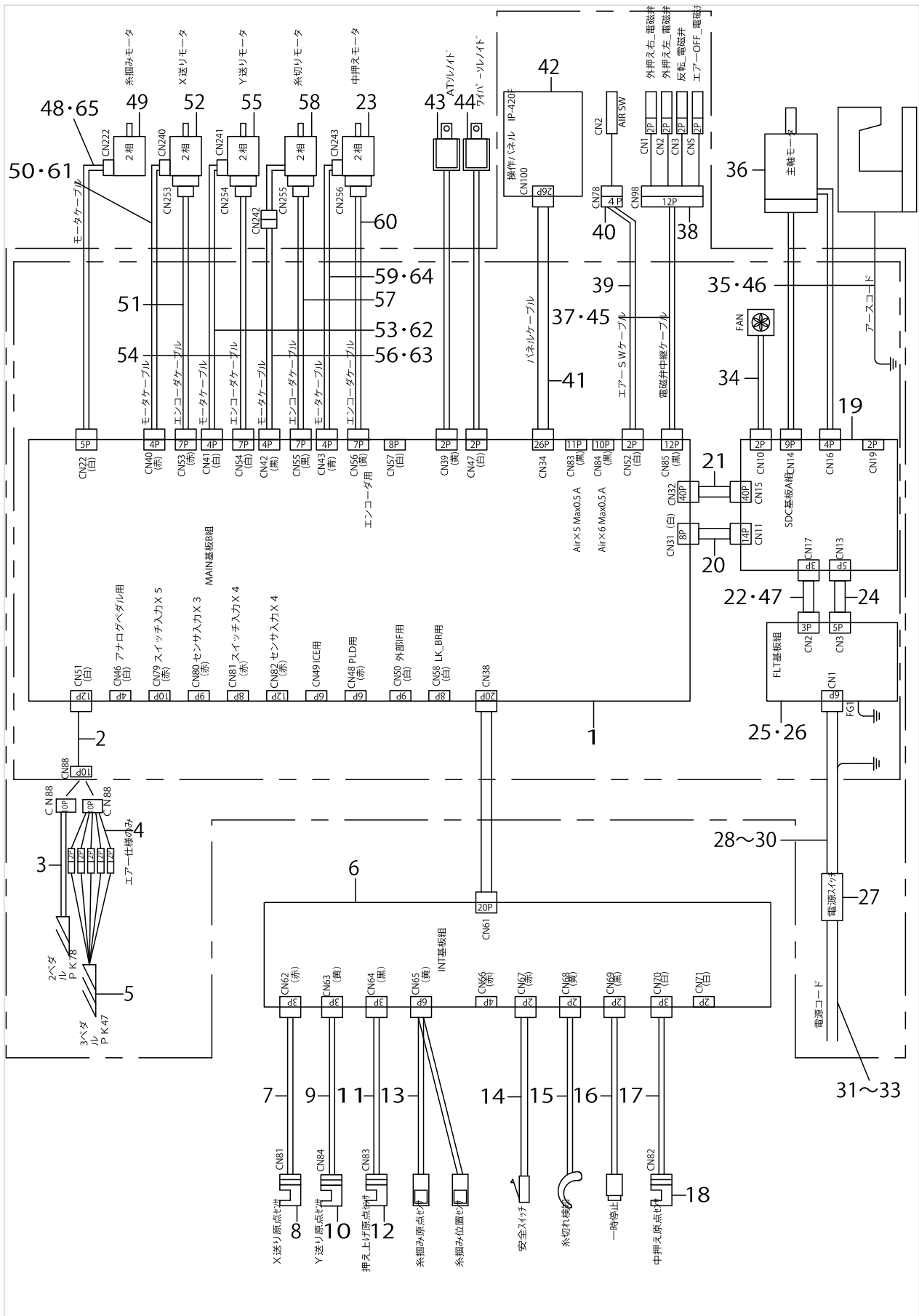
WIRING DIAGRAM



WIRING DIAGRAM

No.	Supply Code	Parts No.	Replacement	Parts name	Remarks	Choice	Step	Level	Cons	Qty	Rep. QTY
1		40081590		MAIN PCB B ASSY						1	
2		40073659		SW RELAY CORD ASM						1	
3		40033831		PK78 PEDAL SWITCH ASM						1	
4		40033875		PK47 RELAY CABLE ASM						1	
5		GPK470010AB		3-PEDAL ASM.						1	
6		40040230		INT PCB ASM						1	
7		40040222		X SENSOR CABLE ASM						1	
8		HD00057000A		PHOTO SENSOR						1	
9		40040223		Y SENSOR CABLE ASM						1	
10		HD00057000A		PHOTO SENSOR						1	
11		40040238		PF_SENSOR_CABLE_ASM						1	
12		HD00057000A		PHOTO SENSOR						1	
13		40040224		TH SENSOR ASM						1	
14	D	40029633		SAFETY SW CORD ASM						1	
15		40040225		THB SENSOR CABLE ASM						1	
16		40040242		STOP SW ASM						1	
17		40040240		IP SENSOR CABLE ASM						1	
18		HD00057000A		PHOTO SENSOR						1	
19		40082758		SDC PCB A ASSY						1	
20		40005726		SDC-MAIN CORD P ASSY						1	
21		40005727		SDC-MAIN CORD S ASSY						1	
22		40005393		FLT-SDC CORD P ASS'Y						1	
23		40102213		ENCODER MOTOR ASM						1	
24		40005394		FLT-SDC CORD S ASS'Y						1	
25		40000056		FLT-T PCB A ASS'Y						1	
26		40162838		FLT-CE PCB A ASSY						1	
27		40081602		POWER SWITCH ASM						1	
28		40086465		POWER CORD 3P ASSY						1	
29		40086466		POWER CORD JE ASSY	FOR JE					1	
30		40086467		POWER CORD 1P ASSY						1	
31		40086468		POWER CABLE 1P PLUG ASSY						1	
32		40086469		POWER CABLE 3P ASSY						1	
33		40086470		POWER CABLE 1P ASSY						1	
34		40005401		FAN MOTOR ASS'Y						1	
35		40005712		EARTH CODE ASM						1	
36		40052937		550W_SERVO_MOTOR						1	
37		40081601		AIR RELAY CABLE ASM						1	
38		40048529		VALVE RERAY COAD ASM						1	
39		40093109		AIR SW CABLE ASM						1	
40		40030951		FILTER_REGULATOR_ASM.						1	
41		40065566		PANEL CABLE D ASM						1	
42		40086485		IP-420F PANEL ASSY						1	
43		40073660		AT SOLENOID						1	
44		40086363		WIPER_ASM						1	
45		40163061		AIR RELAY CABLE ASM	FOR JE					1	
46		M90195800A0		EARTH CABLE ASM.	FOR JE					1	

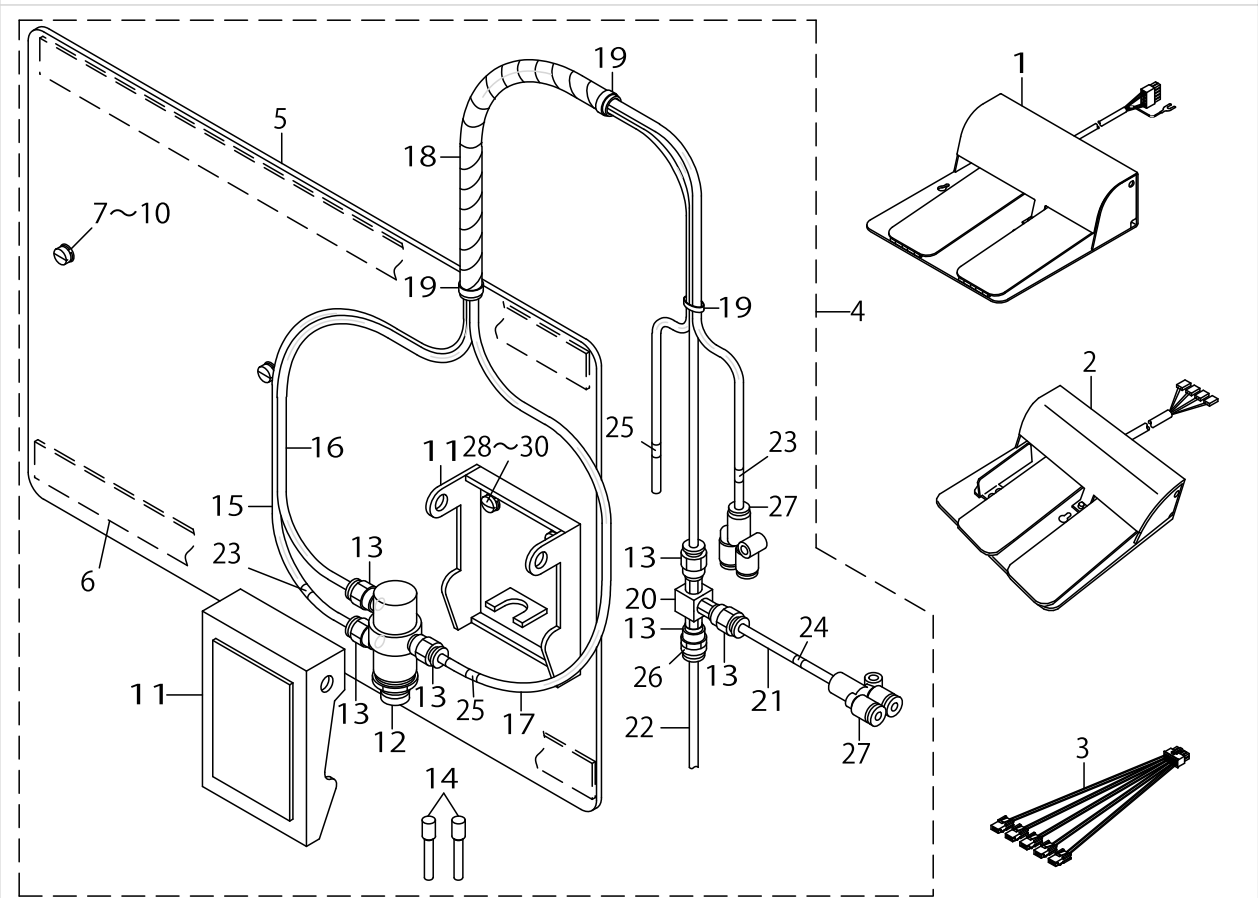
WIRING DIAGRAM



WIRING DIAGRAM

No.	Supply Code	Parts No.	Replacement	Parts name	Remarks	Choice	Step	Level	Cons	Qty	Rep. QTY
47		40163025		REACTOR CORD ASSY	FOR JE					1	
48		40083869		TH MOTOR CABLE ASM						1	
49		40085033		STEPPING MOTOR						1	
50		40083865		X MOTOR CABLE ASM						1	
51		40083870		X ENCODER CABLE ASM						1	
52		40071945		STEPPING MOTOR						1	
53		40083866		Y MOTOR CABLE ASM						1	
54		40083871		Y ENCODER CABLE ASM						1	
55		40104419		ENCODER MOTOR ASM.(X-Y)						1	
56		40083867		TT MOTOR CABLE ASM						1	
57		40083872		TT ENCODER CABLE ASM						1	
58		40103968		ENCODER MOTOR ASM.(TC)						1	
59		40083868		IP MOTOR CABLE ASM						1	
60		40083873		IP ENCODER CABLE ASM						1	
61		40163089		X MOTOR CABLE ASM	FOR JE					1	
62		40163090		Y MOTOR CABLE ASM	FOR JE					1	
63		40163091		TT MOTOR CABLE ASM	FOR JE					1	
64		40163092		IP MOTOR CABLE ASM	FOR JE					1	
65		40178385		TH MOTOR CABLE ASM CE	FOR JE					1	

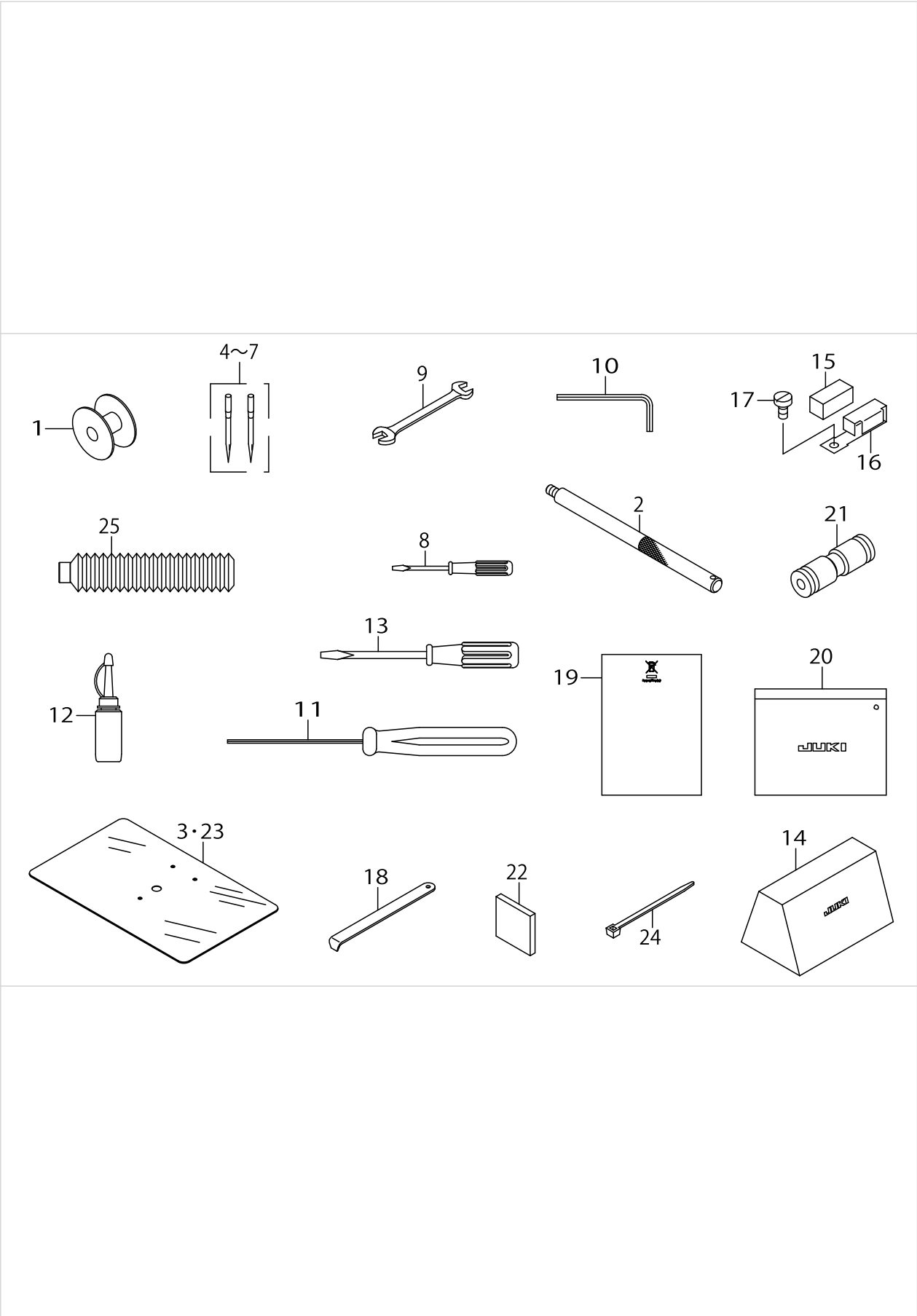
PEDAL COMPONENTS



PEDAL COMPONENTS

No.	Supply Code	Parts No.	Replacement	Parts name	Remarks	Choice	Step	Level	Cons	Qty	Rep. QTY
1		40033831		PK78 PEDAL SWITCH ASM.	FOR AMS-- 221ENHS, - AMS-221EN-3020					1	
2		GPK470010AB		3-PEDAL ASM.						1	
3		40033875		PK47 RELAY CABLE ASM.						1	
4		40042352		MECHANICAL VALVE UNIT	FOR AMS-- 221ENHS, - AMS-221EN-3020					1	
5		D8001D15A0Y		PEDAL BASE				*		1	
6		D8002D15A0Y		PEDAL CUSHION				*		2	
7		SS6111210SP		SCREW11/64-40L=12				*		2	
8		WP0450801SD		WASHER 4.5X10X0.8				*		2	
9		WS0451040KP		SPRING WASHER 4.5X8.5X1				*		2	
10		WP0553216SD		WASHER				*		2	
11		PX020002000		ACTUATOR				*		1	
12		PV010502000		AIR VALVE				*		1	
13		PJ301040501		HALF UNION M5 D=4				*		6	
14		PX500014000		PLUG				*		2	
15		BT0400251EB		URETHANE HOSE BLACK				*		1.9	
16		BT0400251EB		URETHANE HOSE BLACK				*		1.8	
17		BT0400251EB		URETHANE HOSE BLACK				*		1.9	
18		HX00314000A		SPIRAL TUBE				*		0.6	
19		EA9500B0100		CABLE BAND				*		3	
20		GEP01013000		VALVE				*		1	
21		BT0400251EB		URETHANE HOSE BLACK				*		0.1	
22		BT0400251EB		URETHANE HOSE BLACK				*		0.1	
23		18035204		WIRE MARK (3)				*		2	
24		18035303		WIRE MARK (4)				*		1	
25		18035600		WIRE MARK (7)				*		2	
26		18035709		WIRE MARK (8)				*		1	
27		PJ308040002		QUICK COUPLING				*		2	
28		WP0450801SD		WASHER 4.5X10X0.8				*		2	
29		WS0451040KP		SPRING WASHER 4.5X8.5X1				*		2	
30		SS7111120TP		SCREW				*		2	

ACCESSORIE PART COMPONENTS

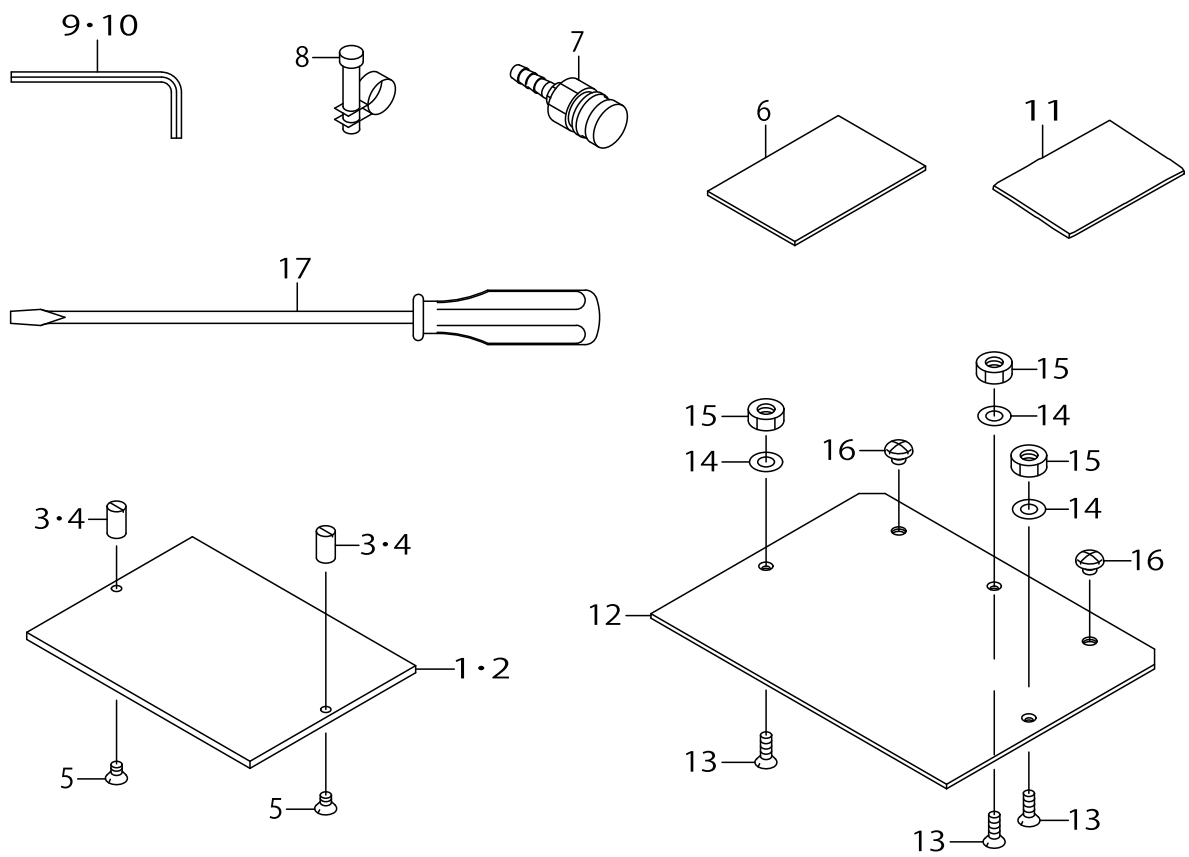


ACCESSORIE PART COMPONENTS

No.	Supply Code	Parts No.	Replacement	Parts name	Remarks	Choice	Step	Level	Cons	Qty	Rep. QTY
1		B1806210D00		BOBBIN						1	
2		40044920		HEAD GRIP						1	
3		B1170221D00		NEEDLE PLATE COVER SHEET						1	
4	R	MDP500B1402	MDP500B1400	NEEDLE DPX5#14-2	TYPE S (FOR ST)				☆	1	1.00
5	R	MDP170B1802	MDP170B1800	NEEDLE DPX17#18-2					☆	1	1.00
6		MC200501002		NEEDLE 134 #100-2					☆	1	
7		MC372001102		NEEDLE SY3355 #110-2					☆	1	
8		22933204		SCREW DRIVER SMALL						1	
9		B9113012000		WRENCH (9X10)						1	
10		B9140372000		HEXAGONAL WRENCH SMALL						1	
11		40032763		HEXAGONAL_DRIVER(1.5)						1	
12		B91212200A0		OILER (CONTAINING NO.2 OIL)						1	
13		22933105		SCREW DRIVER MIDDLE						1	
14		40027770		VINYL COVER						1	
15		B1131528000		FELT						1	
16		10102200		THREAD GUIDE F						1	
17		SM6040860TP		SCREW M4 L=8						1	
18		B9101490000		DRIVER						1	
19		CM600100201		WEEE INFORMATION SHEET						1	
20		22932800		ACCESSORIE BAG						1	
21		PJ303040002		STRAIGHT UNION						4	
22		40050647		CF CARD SET AMS-221E						1	
23		40033185		COVER_SEET						1	
24		EA9500B0100		CABLE BAND						1	
25		40097886		GREASE						1	



OPTIONAL PARTS



OPTIONAL PARTS

No.	Supply Code	Parts No.	Replacement	Parts name	Remarks	Choice	Step	Level	Cons	Qty	Rep. QTY
1		40035093		PLASTIC_BLANK_2516	FOR AMS-221ENHS					1	
2		40035094		PLASTIC_BLANK_3020						1	
3		40035092		INSTALLING_PIN	FOR AMS-221ENHS					2	
4		40051836		INSTALLING_PIN						2	
5		SM1040650TP		SCREW						2	
6		B2564223C00		SPONGE						1	
7		PJ309520001		SOCKET						1	
8		PB000010000		HOSE BAND						1	
9		B9141372000		HEXAGONAL WRENCH LARGE						1	
10		GCT02906000		HEXAGONAL SPANNER						1	
11		B2591220000		RUBBER SHEET						1	
12		40035095		PLASTIC_BLANK_2516L						4	
13		SM1041201SC		SCREW M4 L=12						6	
14		WP0430801SC		WASHER 4.3X9X0.8						6	
15		NM6040001SC		NUT M4						6	
16		SM4040455SP		SCREW						4	
17		22933006		SCREW DRIVER LARGE						1	

LIST FOR INFORMATION OF CHANGE

As to the place changed, refer to the corresponding Rev.No.  
 When previous parts(Obsoleted part)and new parts(Added parts)are  
 not interchangeable with each other:  
 In this case, even obsoleted parts(D.)can be ordered with the  
 obsoleted part number, so select the parts with changed dates and  
 place your orders.

変更箇所は、該当Rev.No.版をご参照ください。  
 部品の互換性がない変更の場合は、削除された品番でも、ご注文できます。

40090567  
 No.1543-06・・・Rev.No.

\*A:Added parts追加部品/D:Obsoleted parts削除部品/E:Erratum訂正

* Rev. No.	Page 頁	Ref. No.	Parts No. 品番	* Rev. No.	Page 頁	Ref. No.	Parts No. 品番
D 05	4	48	401-16677	A 06	4	48	401-50131
D 05	38	15	400-81590	A 06	38	15	400-99962
D 05	38	43	400-00046	A 06	38	43	401-62838
D 05	38	56	400-81580				
D 05	38	57	400-62367				
D 05	38	58	400-62368				
D 05	38	59	HX-0041800-0E				
D 05	38	60	HX-0014700-0J				
D 05	38	61	SL-4030881-SC				
				A 06	38	60	HX-0033900-0M
				A 06	38	61	SL-4040881-SC
				A 06	38	62	SL-4041091-SC
				A 06	38	63	SL-4040881-SC
				A 06	38	64	SL-4041081-SC
				A 06	38	65	401-63025
				A 06	38	66	SL-4040891-SC
D 05	40	1	400-81590	A 06	40	1	400-99962
D 05	40	26	400-00046	A 06	40	26	401-62838
D 05	40	45	400-81580				
D 05	40	46	400-62368				
D 05	40	47	400-62367				
D 05	40	65	401-63024	A 06	40	65	401-78385
D 05	40	67	401-63063	A 06	40	46	M9019-580-0A0

## HOW TO MAKE USE OF THIS PARTS LIST

### 1.Explanation of codes

1)"\*"mark.....means this part is changed from the previous parts book.

As to the details of the change, refer to the "List for information of change".

2)"#01".....refer to "Note" explanation at bottom of page.

### 2.Codes on the "Qty" column

- Each numeral indicates the number of parts required.
- "0.1" and "2.5" indicate the length (in meters) of the respective parts.

3.Parentheses mean that the corresponding part is a subpart that constructs an assembly part.

4.Dotted lines on the Figures indicate assembly parts.

5.As to the parts with marks of "☆"(consumable parts) and "◎"(optional parts)on the respective parts, it is recommended to prepare spares.

### 1 ."注記"欄の記号説明

1) "\*"印.....前回のパーツブックに比較して今回変更された部品を意味します。

変更内容は、"変更情報リスト"を参照してください。

2) "#01".....ページ下の"注記"の説明を参照してください。

2.数量欄の数字は、個数を表し、0.1、2.5等の数値は、長さ（単位メートル）を表します。

3.数量欄の（ ）は、組部品を構成している子部品であることを意味します。

4.イラストページの-----枠は、組構成であることを意味します。

5.リストページの"☆"（消耗部品）、"◎"（オプション部品）の印がついた部品は、予備を準備しておくことをお奨めします。

# NUMERICAL INDEX OF PARTS

PART NO	PAGE	REF NO.	PART NO	PAGE	REF NO.	PART NO	PAGE	REF NO.
10102200	86	16	22933006	88	17	40005393	76	34
10108009	16	22	22933105	86	13	40005393	80	22·47
10502300	2	35	22933204	86	8	40005394	76	35
10523702	62	42	22955504	34	35	40005394	80	24
11072402	6	29	22955900	34	7	40005401	76	23
11155108	62	17	22956007	34	8	40005401	80	34
11155207	62	18	22956908	34	14	40005706	76	27
11158300	62	5	23517501	40	4~7	40005712	6	35
11158409	62	6	23517600	40	4~7	40005712	80	35·46
11158516	62	7	23517709	40	4~7	40005726	76	36
11272408	52	18	23517808	40	4~7	40005726	80	20
13122403	22	23	23604200	16	2	40005727	76	37
13122452	22	22	23604309	16	42	40005727	80	21
13529607	30	26	23610108	22	39	40006317	30	9
13705108	2	21	23630007	30	25	40006323	4	53·54
13816855	10	12	23638109	10	39	40006484	2	39
13888201	64	47	23638208	10	41	40006497	10	40
14103352	30	39	23638406	10	42	40006515	18	50
14103907	30	21	26017707	56	5	40006516	18	52
14104004	30	19	26023408	56	7	40006530	18	65
14113450	6	31	26211904	2	12	40006531	18	66
14113468	6	28	26218602	36	31	40006532	18	74
16870206	62	32	26221101	10	15	40006555	16	17
16992604	52	19	26221200	10	14	40006561	16	23
17007402	62	8	26226001	26	42	40006567	30	5
17833658	62	9	26226506	64	46	40006569	30	6
17845009	76	30	26260109	6	5	40006576	30	31
18035204	84	23	26260208	6	6	40006577	30	22
18035303	84	24	26260307	6	7	40006578	30	45
18035600	84	25	26260406	6	8	40006617	36	5
18035709	84	26	26260505	6	9	40006622	36	25
22687701	52	21	26260604	6	10	40006625	36	4
22891006	18	73	26260703	6	11	40006666	42	54
22891204	16	28	26260802	6	12	40006761	44	1
22901409	18	62	26261206	6	16	40006780	44	11
22901805	6	3	26261305	6	17	40006836	10	34
22902506	2	4	26261503	6	18	40006840	10	36
22907505	22	45	26261602	6	19	40010405	2	29
22907554	22	44	26261701	6	20	40010414	2	10
22907604	24	46	26501858	30	18	40010415	16	5
22920508	2	16	31262801	10	13	40010418	16	7
22921506	36	29	40000056	76	19·43	40010421	16	20
22921605	36	42·46	40000056	80	25·26	40010422	16	9
22928808	36	28	40003458	76	41	40010423	16	10
22932800	86	20	40003970	26	46	40010424	16	11

# NUMERICAL INDEX OF PARTS

PART NO	PAGE	REF NO.	PART NO	PAGE	REF NO.	PART NO	PAGE	REF NO.
40010425	16	12	40014964	32	41·49·68	40026979	2	3
40010426	16	13	40014965	32	41·49·68	40027770	86	14
40010427	16	14	40015800	44	5	40027870	26	37
40010434	16	33	40016705	64	72	40027971	2	37
40010437	16	36	40023624	24	60	40028338	6	4
40010438	16	37	40023624	40	13	40028834	4	47
40010439	16	38	40023631	24	49	40028835	4	48
40010440	16	39	40023632	24	50	40028877	2	28
40010443	40	18	40023635	56	52	40029411	36	32·33
40010464	30	2	40023635	58	52	40029412	36	42·46
40010471	30	28	40023644	56	3	40029419	22	36
40010472	30	30	40023662	68	29	40029420	26	5
40010477	36	6	40023865	6	13	40029633	10	45
40010478	36	41	40023866	6	14	40029633	80	14
40010479	36	8	40023993	36	12	40030615	26	15
40010487	36	17	40024063	30	7	40030616	24	62
40010489	36	23	40024988	22	29	40030617	22	4
40010490	36	20	40024989	26	24	40030620	22	31
40010497	36	21	40024991	22	40	40030621	24	55
40010498	36	22	40024997	10	9	40030623	24	47
40010503	36	27	40024999	2	6	40030625	26	1
40010504	36	30	40025011	22	13	40030626	26	2
40010508	36	32·33	40025012	22	5	40030627	26	3
40010509	36	34	40025016	26	31	40030628	24	63~65
40010510	36	35	40025030	26	36	40030629	24	63~65
40010511	36	36	40025414	2	14	40030630	24	63~65
40010512	36	37	40025415	22	8	40030828	2	8
40010513	36	38	40025418	26	33	40030829	6	15
40010514	36	39	40025419	28	48	40030932	40	23~25
40010515	36	40	40025420	26	44	40030933	40	23~25
40010521	36	43	40025423	26	8	40030934	40	45
40010522	36	44	40025426	26	27	40030936	40	1
40010523	36	45	40025427	22	2	40030942	44	17
40010527	44	22	40025428	22	11	40030943	44	15
40010528	44	23	40025429	22	26	40030950	68	15
40010533	18	54	40025431	22	1	40030951	68	17
40010590	44	10	40025440	34	36	40030951	80	40
40011152	44	24	40026817	26	4	40030956	34	6
40011205	64	62	40026818	16	24	40031336	4	52
40011926	62	39	40026819	26	9	40032158	2	1
40012815	44	19	40026829	10	30	40032159	2	26
40012965	22	19	40026830	10	31	40032161	12	53
40013640	4	53·54	40026831	10	32	40032162	14	1
40013967	38	48	40026882	18	57	40032163	14	3
40014963	30	40	40026884	18	60·61	40032167	14	8

# NUMERICAL INDEX OF PARTS

PART NO	PAGE	REF NO.	PART NO	PAGE	REF NO.	PART NO	PAGE	REF NO.
40032168	14	2	40032837	60	22	40040230	12	47
40032173	10	18	40032838	60	23	40040230	80	6
40032174	12	61	40032839	60	14	40040238	80	11
40032175	16	8	40032840	60	15	40040240	28	52
40032176	14	28·34	40032842	60	3	40040240	80	17
40032177	14	28·34	40032843	60	40	40040242	2	33
40032178	14	29·35	40032844	60	7	40040242	80	16
40032179	26	7	40033069	44	39	40040256	40	8
40032180	26	17	40033182	10	37	40042352	84	4
40032181	26	23	40033183	10	38	40043096	54	62
40032182	32	67	40033185	86	3·23	40043098	48	42
40032184	32	59	40033186	14	5	40043321	28	55
40032185	32	57	40033831	80	3	40043869	30	1
40032186	40	15	40033831	84	1	40044053	16	46
40032187	44	26	40033875	80	4	40044186	56	1·2
40032190	36	26	40033875	84	3	40044329	60	33
40032191	54	58	40034185	56	38	40044920	86	2
40032192	52	3	40034186	56	40	40048529	80	38
40032197	52	7	40034568	56	1·2	40050509	4	49
40032200	50	1·50	40034846	30	12	40050647	86	22
40032203	52	9	40035024	74	47	40051499	12	59
40032205	48	3	40035092	88	3·4	40051500	60	34
40032209	48	37	40035093	88	1·2	40051501	12	51
40032210	52	13	40035094	88	1·2	40051502	12	60
40032215	52	16	40035095	88	12	40051536	66	91
40032216	52	17	40035160	44	34	40051640	78	58·59
40032217	48	6	40035161	44	28	40051769	60	43
40032218	48	25	40035705	14	4	40051770	60	37
40032219	48	10	40036110	4	55	40051782	60	45
40032221	52	23	40036117	30	37	40051836	88	3·4
40032223	48	40	40036118	32	47	40051987	2	40
40032226	60	1	40037500	34	32	40052937	16	40
40032229	56	16	40037501	34	33	40052937	80	36
40032230	56	17	40039546	10	68	40055355	76	4
40032231	58	57	40039546	12	68	40057278	78	58·59
40032232	68	1	40039547	10	67	40057368	52	4
40032233	68	6	40039547	12	67	40057370	52	5
40032238	48	23	40040082	44	43	40057371	52	6
40032239	48	4	40040222	48	29	40057380	12	52
40032240	48	35	40040222	80	7	40061991	30	41·49·68
40032343	36	11	40040223	80	9	40065566	74	46
40032483	26	6	40040224	44	33	40065566	80	41
40032763	86	11	40040224	80	13	40068833	22	14
40032835	60	19	40040225	2	45	40068834	22	28
40032836	60	20	40040225	80	15	40068835	22	7

# NUMERICAL INDEX OF PARTS

PART NO	PAGE	REF NO.	PART NO	PAGE	REF NO.	PART NO	PAGE	REF NO.
40071945	82	52	40082758	80	19	40086465	76	32·44·45
40072009	30	4	40083666	72	7	40086465	80	28~30
40072211	40	19	40083668	72	6	40086466	76	32·44·45
40072228	40	10	40083865	82	50·61	40086466	80	28~30
40073081	28	47	40083866	82	53·62	40086467	76	32·44·45
40073082	48	28	40083867	82	56·63	40086467	80	28~30
40073085	40	23~25	40083868	82	59·64	40086468	74	42
40073659	78	53	40083869	82	48·65	40086468	80	31~33
40073659	80	2	40083870	82	51	40086469	74	44
40073660	36	1	40083871	82	54	40086469	80	31~33
40073660	80	43	40083872	82	57	40086470	74	45
40076232	44	16	40083873	82	60	40086470	80	31~33
40076233	44	3	40083960	72	10	40086485	72	1
40076236	44	12	40084115	2	31	40086485	80	42
40076237	44	9	40085033	44	30	40086541	72	5
40076238	44	4	40085033	82	49	40089365	30	13
40076239	44	14	40085316	72	26	40089367	16	16
40076294	34	41	40085784	70	2	40089777	48	2
40077604	18	55	40085785	70	3	40089778	50	51
40077605	18	56	40085786	70	4	40089779	48	5
40078079	18	81	40085787	70	5	40089782	64	85
40078083	18	75	40085788	70	6	40089783	64	84
40078088	18	71	40085789	70	7	40089784	64	86
40078106	18	70	40085790	70	8	40089785	64	76
40078107	20	88	40085791	70	9	40089786	64	48
40078108	52	8	40085792	70	10	40089787	64	49
40078113	24	59	40085793	70	11	40089789	62	37
40078133	22	43	40085794	70	12	40089790	62	36
40078135	18	77·78	40085795	70	13	40089791	64	56
40078160	18	83	40085796	70	16	40089792	64	50
40078163	72	2	40086349	34	11	40089796	36	14
40078168	72	9	40086350	34	9	40089798	36	15
40078382	18	64	40086351	34	28	40089799	48	1·50
40080799	72	3	40086352	34	15	40090320	62	14·15
40080800	72	4	40086353	34	10	40090330	10	17
40081590	76	15	40086354	34	27	40090331	12	58
40081590	80	1	40086355	34	5	40090434	62	14·15
40081601	80	37·45	40086357	34	12	40091075	64	61
40081602	72	16	40086358	34	13	40091076	64	68
40081602	80	27	40086363	34	1	40091078	62	34
40081603	72	18	40086363	80	44	40091083	64	77
40081621	76	1~3	40086364	34	4	40091362	64	79
40081622	76	1~3	40086365	62	43	40091894	34	16
40081623	76	1~3	40086367	10	70	40093109	80	39
40082758	76	17	40086367	12	70	40093291	52	11



# NUMERICAL INDEX OF PARTS

PART NO	PAGE	REF NO.	PART NO	PAGE	REF NO.	PART NO	PAGE	REF NO.
40094018	76	5	B1155221D00	14	6	B1908505000	18	67
40094019	76	6	B1156221D00	14	7	B2107210D00	34	2
40096092	24	58	B1157215000	14	13	B2107210D0B	34	42
40096186	18	77·78	B1170221D00	86	3·23	B2304205000	58	50
40096209	18	79·80	B1181221D00	14	9	B24142800A0	40	34
40096325	70	14	B1182221D00	14	10	B24152800A0	40	32
40096326	70	17	B1183221D00	14	11	B2416280000	40	31
40096327	70	19	B1193221D00	14	12	B2417210000	40	36
40096354	70	1	B1212210D00	16	44	B2417280000	40	38
40097886	86	25	B1223771000	64	87	B2418280000	40	30
40098325	62	33	B1405210000	18	60·61	B2421210AA0	40	29
40098326	64	70	B1408180000	22	32	B242328000A	40	41~44
40102213	26	20	B14115520A0	18	58	B242328000B	40	41~44
40102213	80	23	B1411804A00	32	53~56	B242328000C	40	41~44
40103968	42	49	B1411804B00	32	53~56	B242328000D	40	41~44
40103968	82	58	B1411804C00	32	53~56	B2424210000	42	46
40104419	52	61	B1411804D00	32	53~56	B242621000A	40	26~28
40104419	54	61	B1414555000	18	59	B242621000B	40	26~28
40104419	82	55	B1504210000	56	4	B242621000D	40	26~28
40105704	68	36	B1504221D00	14	29·35	B2504221D00	52	1
40121230	54	70	B151902600G	48	7	B2505221D00	52	2
40121232	52	15	B161121000A	24	48	B2513215000	60	17
40121671	52	14	B1625220000	58	51	B2516215000	58	54
40121766	54	71	B1628191B00	64	71	B2518215000	56	44
40121767	54	72	B1634210D00	24	53	B2518215A00	56	46
40150131	8	48	B1636581A00	22	15~18	B2525223C00	52	10
40162838	76	19·43	B1636581B00	22	15~18	B2527215000	56	45
40162838	80	25·26	B1636581C00	22	15~18	B2529232000	10	3
40163025	78	65	B1636581D00	22	15~18	B2530215000	58	59
40163025	82	22·47	B1641562000	26	41	B2534223C00	52	12
40163061	80	37·45	B1705850000	18	79·80	B2537221D00	52	40
40163089	82	50·61	B1802180000	52	22	B2539223C00	64	82
40163090	82	53·62	B1806210D00	30	43	B2548215000	58	58
40163091	82	56·63	B1806210D00	86	1	B2558220000	60	4
40163092	82	59·64	B1816215P00	42	48	B2560220000	60	41
40178385	82	48·65	B1816280000	48	8	B2564223C00	88	6
A1230500000A	18	48	B1816280000	56	21	B2567215000	60	12
B1111215000	10	1	B1816280000	60	24	B25672150A0	60	11
B1115215000	10	2	B1820210D00	30	14	B2568223C00	56	25
B1116215000	12	55	B1821210D00	30	15	B2576220000	56	6
B1129210000	2	19	B1822215P00	30	16	B25792290A0	56	32
B1131528000	86	15	B1828210DAA	30	42	B2591220000	88	11
B1132223C00	10	69	B1847221D00	32	52	B2613215000	60	9
B1132223C00	12	69	B185351200EA	58	55	B26132150A0	60	8
B1144210000	16	45	B1903552000	18	76	B3012816000	58	48

NUMERICAL INDEX OF PARTS

PART NO	PAGE	REF NO.	PART NO	PAGE	REF NO.	PART NO	PAGE	REF NO.
B3013141H0A	48	44	CM600100201	86	19	HF00130315S	72	28~30
B3120372000	2	41	CQ200000000	30	24	HF0013050P0	72	28~30
B3126012000	6	32	CQ303000000	22	3	HF003000200	72	28~30
B3509210000	6	38	CS079073ASH	22	33	HK034610020	34	17
B3509210000	44	41	CS079073BSH	56	42	HK034610040	68	24
B3538112000	6	41	CS0800881TP	26	29	HK034640000	68	25
B4022221D00	48	38	CS0800881TP	64	80	HK03464000B	34	18
B471122000C	56	11	CS100081CSP	52	25	HN001490000	78	52
B471122000D	56	12	CS1000881TP	64	57	HN002460000	78	50
B471122000E	56	35	D7133555B00	6	33	HN002840000	78	51
B471122000F	56	36	D8001D15A0Y	84	5	HW002180200	72	15
B471122000G	56	13	D8002D15A0Y	84	6	HW200390000	34	20
B471122000H	56	14	D8204555D00	62	22	HW500070000	34	21
B8101221DA0	62	1	E2678453000	68	21	HX00056000A	40	22
B8102221DA0	62	2	E9567319000	76	40	HX00065000A	74	39
B8103221DA0	62	3	E9607603000	76	39	HX00150000B	32	65
B8110373N00	62	10	EA9500B0100	6	44	HX00150000C	6	40
B8150221D00	62	4	EA9500B0100	10	44	HX00150000D	8	47
B8171223C00	62	19	EA9500B0100	28	51	HX00150000D	28	53
B8202205000	62	20	EA9500B0100	30	44	HX00150000D	30	32
B8267180000	12	57	EA9500B0100	44	46	HX00150000D	50	48
B9101490000	86	18	EA9500B0100	50	47	HX00150000K	6	42
B9113012000	86	9	EA9500B0100	68	26	HX002330000	56	24
B9121012000	62	21	EA9500B0100	78	54	HX00233000B	56	23
B91212200A0	86	12	EA9500B0100	84	19	HX00307000E	6	39
B9140372000	86	10	EA9500B0100	86	24	HX00314000A	84	18
B9141372000	88	9-10	EA9500B0200	6	45	HX00326000K	76	11
BME01100000	72	21-23	G5151171000	62	23	HX003390000	12	49
BME03200000	72	21-23	G8124270000	68	19	HX003390000	76	21
BT0400251EB	56	34	GAF01007000	18	49	HX00339000M	78	60
BT0400251EB	84	22	GAT23301000	52	24	HX00354000B	72	12
BT0600401EB	68	12	GAW01502000	64	67	HX004070000	76	29
CM100100001	6	36	GCT02906000	88	9-10	HX00410000A	76	33
CM200100001	76	46	GEP01013000	84	20	HX005110000	76	38
CM300100003	72	24	GPK470010AB	80	5	KM000000480	76	24
CM300100401	72	20-41	GPK470010AB	84	2	KX000000210	78	47
CM300100401	74	20-41	HA005820000	72	17	KX000000230	78	48
CM300200003	6	2	HA006000000	34	19	M300451100A	72	27
CM300400601	72	22-25	HD000570000	48	30	M3801476000	76	9
CM300400701	72	22-25	HD00057000A	28	49	M4206461000	76	14
CM301200001	6	1	HD00057000A	40	16	M90195800A0	80	35-46
CM500100001	62	31	HD00057000A	48	33	M90295800A0	78	55
CM600100101	6	37	HD00057000A	80	18	M90345800A0	74	43
CM600100101	72	14	HD00204000A	44	35	MA011532000	72	31
CM600100101	78	57	HD00204000B	44	36	MC200501000	18	84~87

# NUMERICAL INDEX OF PARTS

PART NO	PAGE	REF NO.	PART NO	PAGE	REF NO.	PART NO	PAGE	REF NO.
MC200501002	86	4~7	PJ032052503	56	33	SB110001300	52	29
MC372001100	18	84~87	PJ046052503	56	10	SB110002400	30	3
MC372001102	86	4~7	PJ301040501	84	13	SB110002400	42	52
MDP170B1800	18	84~87	PJ301040505	68	8	SB112001700	30	8
MDP170B1802	86	4~7	PJ301060003	68	13	SB120000900	16	1
MDP500B1400	18	84~87	PJ303040002	86	21	SB120001700	16	6
MDP500B1402	86	4~7	PJ304065101	68	35	SB120001800	16	4
MTJMS00000S	62	24	PJ305065202	68	20	SB130000200	52	30
MTSHJ100003	72	33	PJ308040002	84	27	SB130000300	52	31
NM3040520SC	76	26	PJ309520001	88	7	SB30700020A	16	29~32
NM6030001SC	36	24	PS0150065KP	14	15	SB30700020B	16	29~32
NM6030003SC	14	14	PS0150065KP	60	13	SB30700020C	16	29~32
NM6030003SC	46	48	PS0400082KP	62	41	SB30700020D	16	29~32
NM6040000SN	2	15	PS0400142KH	18	47	SB30800100A	30	33~36
NM6040001SC	62	63	PV010502000	84	12	SB30800100B	30	33~36
NM6040001SC	64	63	PV015211000	68	22	SB30800100C	30	33~36
NM6040001SC	88	15	PV135129000	68	34	SB30800100D	30	33~36
NM6040001SP	40	9	PV150209000	68	9	SB408000100	26	13
NM6040003SC	36	18	PV150209100	68	10	SB412000100	52	32
NM6050001SC	34	23	PV915005000	68	11	SD0350156TP	44	47
NM6050001SE	70	24	PX020002000	84	11	SD0350156TP	46	47
NM6050001SP	40	12	PX050003000	68	28	SD0400266TP	44	8
NM6050003SC	58	61	PX500014000	84	14	SD0600326TP	62	38
NM6060001SC	64	88	PX950009000	68	27	SD0601406TP	64	65
NM6060003SC	58	60	RC0100001KP	62	35	SD0800327TP	40	11
NM6060003SC	60	28	RC0370411KP	34	24	SD0800336TP	24	61
NM6060003SC	64	74	RC0560711KP	6	21	SD0800337TP	26	25
NM6080001SC	62	30	RC0650811KP	22	25	SD0800386TP	22	35
NM6080001SC	76	13	RC3781518KP	22	20	SD0800387TP	26	40
NM6080002SC	74	38	RE0200000K0	44	7	SD0800407TP	44	25
NM6080003SC	64	73	RE0300000K0	30	17	SD0800408TP	22	38
NM6080721SE	68	33	RE0300000K0	56	53	SD0800656TP	24	56
NM6100001SD	10	4	RE0300000K0	58	53	SD0800746TP	22	10
NM6120003SE	62	11	RE0320000K0	56	30	SD1000506TP	22	37
NS6090310SP	34	22	RE0400000K0	6	22	SK1382501SE	62	25
NS6110310SP	6	30	RE0500000K0	34	25	SK3311600SC	62	27
NS6110310SP	64	45	RE0700000K0	26	35	SK3413201SE	74	40
PA1602509A0	56	9	RE0800000K0	16	25	SK3452500SC	68	37
PA1602510A0	56	31	RE0900000K0	36	3	SK3512001SE	72	32
PB000010000	88	8	SB104001600	18	69	SK3582501SE	64	55
PC012401000	56	62	SB108000200	32	60	SL4030681SC	72	11
PC012401000	58	62	SB108000500	26	26	SL4030881SC	72	13
PF0552040B0	68	18	SB108000500	52	28	SL4031091SC	28	50
PF070501000	68	7	SB108002200	18	68	SL4031091SC	34	30
PJ025200003	68	23	SB108002300	18	72	SL4031091SC	40	17

NUMERICAL INDEX OF PARTS

PART NO	PAGE	REF NO.	PART NO	PAGE	REF NO.	PART NO	PAGE	REF NO.
SL4031091SC	48	34	SM1040870TP	60	44	SM6040602TP	28	56
SL4032591SC	68	38	SM1041201SC	88	13	SM6040602TP	32	58
SL4040681SC	10	33	SM2360110TP	44	20	SM6040602TP	44	42
SL4040881SC	76	20·63·64	SM4020600SP	44	18	SM6040602TP	48	36
SL4040881SC	78	20·63·64	SM4021201SC	10	43	SM6040602TP	52	69
SL4040891SC	6	34	SM4030401SC	14	16	SM6040602TP	54	69
SL4040891SC	12	48	SM4030455SP	30	23	SM6040650TP	2	22
SL4040891SC	28	54	SM4030601SN	2	36	SM6040650TP	10	35
SL4040891SC	32	66	SM4030601SN	34	29	SM6040650TP	14	22
SL4040891SC	68	14	SM4040455SP	88	16	SM6040650TP	30	29
SL4040891SC	76	66	SM4040655SP	2	42	SM6040650TP	42	53
SL4040891SC	78	66	SM4040655SP	14	21	SM6040650TP	44	21
SL4041081SC	78	20·63·64	SM4040655SP	62	44	SM6040650TP	48	39
SL4041091SC	12	54	SM4040855SP	2	43	SM6040650TP	58	56
SL4041091SC	50	49	SM4040855SP	14	20	SM6040802TP	10	64
SL4041091SC	76	16·61·62	SM4040855SP	34	37	SM6040802TP	12	64
SL4041091SC	78	16·61·62	SM4041055SP	2	38	SM6040802TP	24	52
SL4041091SE	72	19	SM4041055SP	14	23	SM6040802TP	36	16
SL4043591SC	76	25	SM4041055SP	52	37	SM6040802TP	42	51
SL4051091SC	68	30	SM4041255SP	14	33	SM6040802TP	48	46
SL6040692TN	64	69	SM4041255SP	60	38	SM6040802TP	50	46
SL6040892TN	2	34	SM4041655SP	14	24	SM6040860TP	2	50
SL6040892TN	48	26	SM4042055SP	52	38	SM6040860TP	4	50
SL6041092TN	8	46	SM4050655SP	14	31	SM6040860TP	36	13
SL6041092TN	48	32	SM4050655SP	60	5	SM6040860TP	86	17
SL6041692TN	32	63	SM4050855SP	12	46	SM6041002TP	48	52
SL6052592TN	16	41	SM4050855SP	34	38	SM6041002TP	50	52
SL6052592TN	52	35	SM4051055SP	2	46	SM6041150TP	6	27
SL6061692TN	12	75	SM4051255SP	52	39	SM6041150TP	52	41
SL6061692TN	64	75	SM4051405SE	70	23	SM6041202TP	44	40
SL6062592TN	56	26	SM4051655SP	42	50	SM6041202TP	52	43
SL6083092TN	76	10	SM4061255SP	2	13	SM6041402TP	26	21
SL6084092TN	4	56	SM5040655SN	6	24	SM6041402TP	48	15
SL9061291SE	10	66	SM5040855SN	10	16	SM6041602TP	52	34
SL9061291SE	12	66	SM6020250TP	32	48	SM6041802TP	48	43
SL9061293SE	62	12	SM6020350SP	44	13	SM6041802TP	52	42
SL9082093SE	62	13	SM6020450TP	44	37	SM6050800SP	54	52
SL9082093SE	68	31	SM6020460TP	30	38	SM6050800SP	56	19
SM1030601SP	14	19	SM6030450TP	20	89	SM6050802TP	26	45
SM1030601SP	16	21	SM6030502TP	48	27	SM6050802TP	64	60
SM1040650TP	12	72	SM6030602TP	44	44	SM6051000SP	48	18
SM1040650TP	88	5	SM6030602TP	48	11	SM6051000SP	56	41
SM1040801SP	14	18	SM6030802TP	48	12	SM6051600SP	48	17
SM1040870TP	40	3	SM6040460TP	32	61	SM6051802TP	52	36
SM1040870TP	48	16	SM6040602TP	6	43	SM6051802TP	60	18

NUMERICAL INDEX OF PARTS

PART NO	PAGE	REF NO.	PART NO	PAGE	REF NO.	PART NO	PAGE	REF NO.
SM6060550TP	16	27	SM8060812TP	54	51	WP0450801SD	14	27
SM6060802TP	60	2	SM8060812TP	60	25	WP0450801SD	32	62
SM6061002TP	12	56	SM8061050TP	32	50	WP0450801SD	84	28~30
SM6061010TP	60	27	SM8061212TP	30	27	WP0450801SP	10	65
SM6061200SP	60	26	SM8061612TP	18	82	WP0450801SP	12	65
SM6061202TN	54	63	SM8061612TP	38	47	WP0450801SP	34	39
SM6061202TN	64	90	SM8480652TP	16	35	WP0450801SP	44	2
SM6061202TP	10	10	SM8480652TP	26	10	WP0450826SC	6	23
SM6061402TP	22	24	SM9050850SP	10	73	WP0450846SP	28	57
SM6061602TP	60	35	SM9050850SP	12	73	WP0450846SP	40	37
SM6061802TP	26	22	SM9051203CP	14	30	WP0482086SD	32	64
SM6061802TP	40	20	SM9087533SC	62	16	WP0482086SD	34	34
SM6084002TN	72	34	SS1060210TP	40	35	WP0482086SD	54	66
SM6086002TP	64	92	SS1110640TP	22	30	WP0501016SD	54	55
SM6086002TP	66	92	SS6090910SP	22	41	WP0520656SA	10	74
SM6107002TP	10	5	SS6110430TP	40	40	WP0520656SA	12	74
SM6450610TP	10	62	SS6111210SP	84	7~10	WP0520656SA	26	38
SM6450610TP	12	62	SS7090410SP	40	33	WP0522016SH	26	39
SM7030450SC	14	17	SS7110740TP	40	39	WP0522016SH	64	83
SM7751160TP	24	51	SS7111120TP	84	28~30	WP0531000SD	14	32
SM8030412TP	18	63	SS7111810TP	22	42	WP0531000SD	48	22
SM8030412TP	36	7	SS8110410TP	22	34	WP0531000SD	54	67
SM8040310SS	18	53	SS8110422TP	58	49	WP0531000SD	56	29
SM8040412TP	4	51	TA0550604R0	24	57	WP0531000SD	60	6
SM8040412TP	34	26	TA0670604R0	16	19	WP0531001SC	34	40
SM8040802TP	6	26	TA0750404R0	22	21	WP0531001SC	54	59
SM8050412TP	26	43	TA0850604R0	2	23	WP0531001SC	70	22
SM8050412TP	52	45	TA1050504R0	2	24	WP0553216SD	84	7~10
SM8050412TP	64	81	TA1250406R0	2	25	WP0611626SP	22	9
SM8050502TP	6	25	TA2351004R0	2	27	WP0611626SP	60	32
SM8050512TP	60	42	WP0320500SC	44	6	WP0612056SD	12	71
SM8050592TP	40	21	WP0320500SD	48	19	WP0641600SC	60	36
SM8050812TP	52	46	WP0320501SC	34	31	WP0641601SD	60	29
SM8050812TP	56	27	WP0320501SD	44	45	WP0650876SD	56	39
SM8060602TP	26	19	WP0320501SD	48	20	WP0651001SC	10	11
SM8060602TP	54	48	WP0330501SB	14	25	WP0651001SC	42	47
SM8060610TP	32	46	WP0430800SC	24	54	WP0651001SC	54	64
SM8060802TP	54	49	WP0430801SC	36	10	WP0651056SD	60	30
SM8060812TP	10	6	WP0430801SC	54	56	WP0820516SP	16	15
SM8060812TP	16	43	WP0430801SC	88	14	WP0820816SD	58	47
SM8060812TP	22	66	WP0431005SP	56	43	WP0841600SE	62	28
SM8060812TP	24	66	WP0431005SP	64	66	WP0841601SC	74	36
SM8060812TP	26	34	WP0450000SD	54	68	WP0841601SC	76	42
SM8060812TP	30	11	WP0450000SD	60	39	WP0850002SP	26	14
SM8060812TP	40	14	WP0450801SD	2	44	WP0850002SP	64	94

## NUMERICAL INDEX OF PARTS

PART NO	PAGE	REF NO.
WP0850002SP	66	94
WP0852086SC	74	35
WP0871602SE	68	32
WP1022016SH	64	59
WP1052001SC	10	7
WP1221016SP	22	27
WP1612616SE	70	15
WS0410002KN	54	57
WS0451040KP	84	28~30
WS0510002KN	70	21
WS0610002KP	60	31
WS0610002KP	64	89
WS0820002KN	62	93
WS0820002KN	64	93
WS0820002KN	66	93
WS0820002KR	74	37
WS1020002KN	10	8
WZ0850302K0	26	28