

MODEL : AK-143

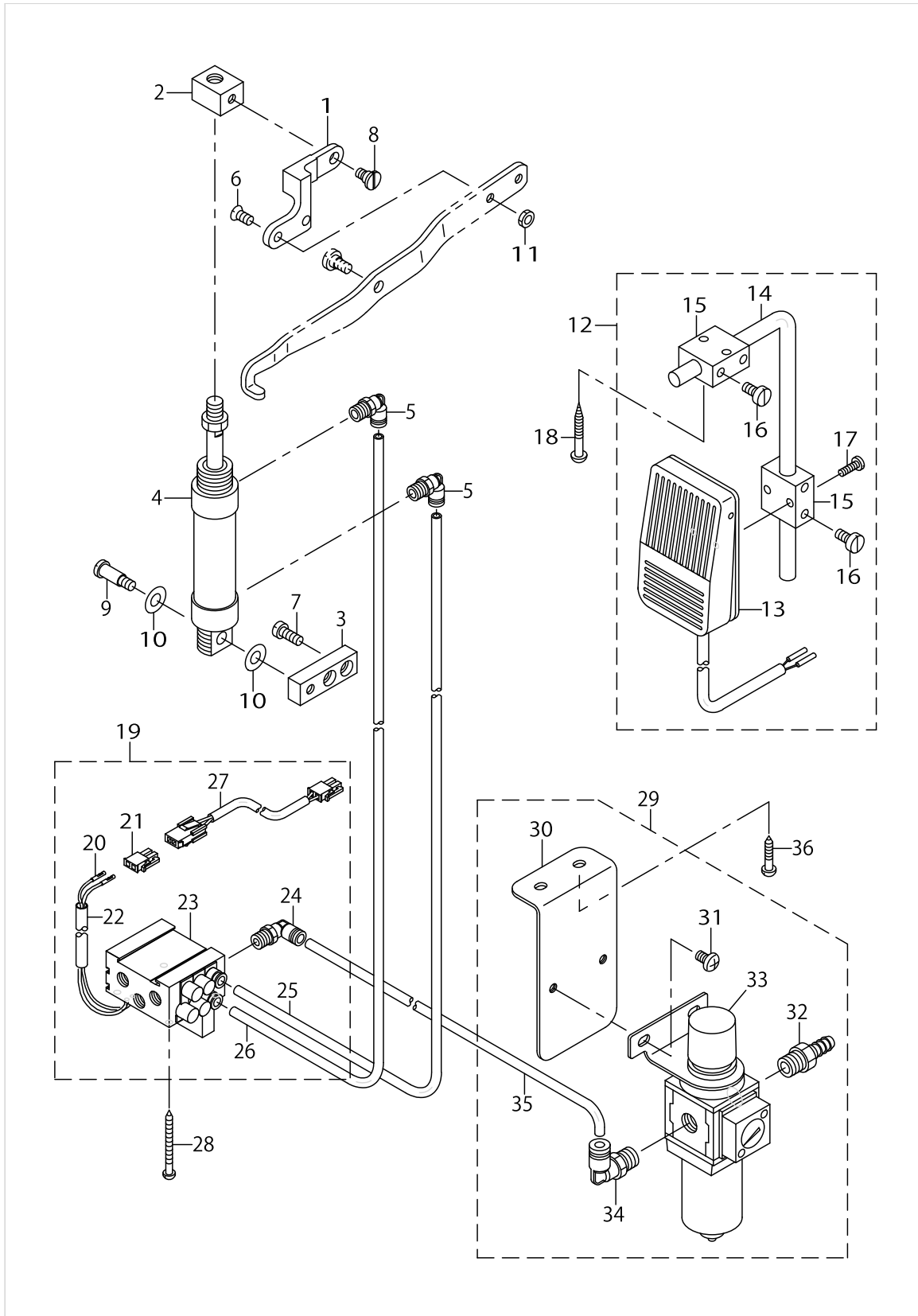
List No : 1568-00

PARTS LIST

Published:05/12/2017

CONTENTS

AK-143	1
HOW TO MAKE USE OF THIS PARTS LIST	3



AK-143

No.	Supply Code	Parts No.	Replacement	Parts name	Remarks	Choice	Step	Level	Cons	Qty	Rep. QTY
1		GAK70001000		AUTOMATIC LIFTING ARM						1	
2		GAK29003000		CYLINDER BLOCK						1	
3		GAK70002000		CYLINDER BASE						1	
4	R	GAK29013000	PA2502503A0	CYLINDER						1	1.00
5		GAK29010000		ELBOW B						2	
6		SS1151310TP		SCREW						2	
7		SS6151440SP		SCREW15/64-28L=14						2	
8		SD0790433TP		HINGE SCREW D=7.94 H=4.3						1	
9		GAK70003000		HINGE SCREW						1	
10		WP0850002SP		WASHER 8.5X18X1.6						2	
11		NS6150310SP		NUT 15/64-28						2	
12		40025036		KNEE SWITCH ASM.	FOR AK-143C					1	
13		40025035		KNEE SWITCH ASM.				*		1	
14		MAT80231T00		DRIVING BAR, T002				*		1	
15		MAT80230T00		KNEE SWITCH SUPPORT BASE				*		2	
16		SS6151220SP		SCREW 15/64-28 L=11.5				*		4	
17	R	SS7111410SP	SS7111410TP	SCREW11/64-40L=14				*		2	1.00
18	R	SK3514000SC	SK3514001SE	WOOD SCREW D=5.1 L=40	FOR AK-143C					2	1.00
19		40103004		AIRAPPARATUSASM.						1	
20		HK03464000A		TERMINAL, FEMALE				*		2	
21		HK034610020		2-POLE NYLON PLUG				*		1	
22		GAKA1503000		INSULATION TUBE				*		0.2	
23		40038904		MAGNETIC VALVE(P)				*		1	
24		GAK29010000		ELBOW B				*		1	
25		BT0600401EB		TUBE				*		1.3	
26		BT0600401EB		TUBE				*		1.3	
27		GAKA14020A0		CORD ASM.				*		1	
28		SK3385001SE		WOOD SCREW D=3.8 L=50						4	
29		40038722		FILTER REGULATOR ASM.						1	
30		40038723		FILTER REGULATOR MOUNTING PLATE				*		1	
31		SM4061001SB		SCREW M6 L=10				*		2	
32		GAK29011000		NIPPLE				*		1	
33		PF0552170A0		FILTER REGULATOR				*		1	
34		GAK29009000		ELBOW				*		1	
35		BT0600401EB		TUBE				*		0.28	
36		SK3482501SE		WOOD SCREW D=4.8 L=25						2	

HOW TO MAKE USE OF THIS PARTS LIST

1.As to "#01" and "#02" refer to the "Note" given at the bottom of the respective pages.

2.Codes on the "Qty" column

- Each numeral indicates the number of parts required.
- "0.1" and "2.5" indicate the length (in meters) of the respective parts.

3.Parentheses mean that the corresponding part is a subpart that constructs an assembly part.

4.Dotted lines on the Figures indicate assembly parts.

1. リストページの# 0 1、# 0 2の印は、ページ下の"注記"の説明を参照下さい。
2. 数量欄の数字は、個数を表し、0. 1、2. 5等の数値は、長さ（単位メートル）を表します。
3. 数量欄の（ ）は、組部品を構成している子部品であることを意味します。
4. イラストページの-----枠は、組構成であることを意味します。

NUMERICAL INDEX OF PARTS

PART NO	PAGE	REF NO.
40025035	2	13
40025036	2	12
40038722	2	29
40038723	2	30
40038904	2	23
40103004	2	19
BT0600401EB	2	35
GAK29003000	2	2
GAK29009000	2	34
GAK29010000	2	24
GAK29011000	2	32
GAK29013000	2	4
GAK70001000	2	1
GAK70002000	2	3
GAK70003000	2	9
GAKA14020A0	2	27
GAKA1503000	2	22
HK034610020	2	21
HK03464000A	2	20
MAT80230T00	2	15
MAT80231T00	2	14
NS6150310SP	2	11
PF0552170A0	2	33
SD0790433TP	2	8
SK3385001SE	2	28
SK3482501SE	2	36
SK3514000SC	2	18
SM4061001SB	2	31
SS1151310TP	2	6
SS6151220SP	2	16
SS6151440SP	2	7
SS7111410SP	2	17
WP0850002SP	2	10