

MODEL : DDL-8100e

List No : 1556-03

# PARTS LIST

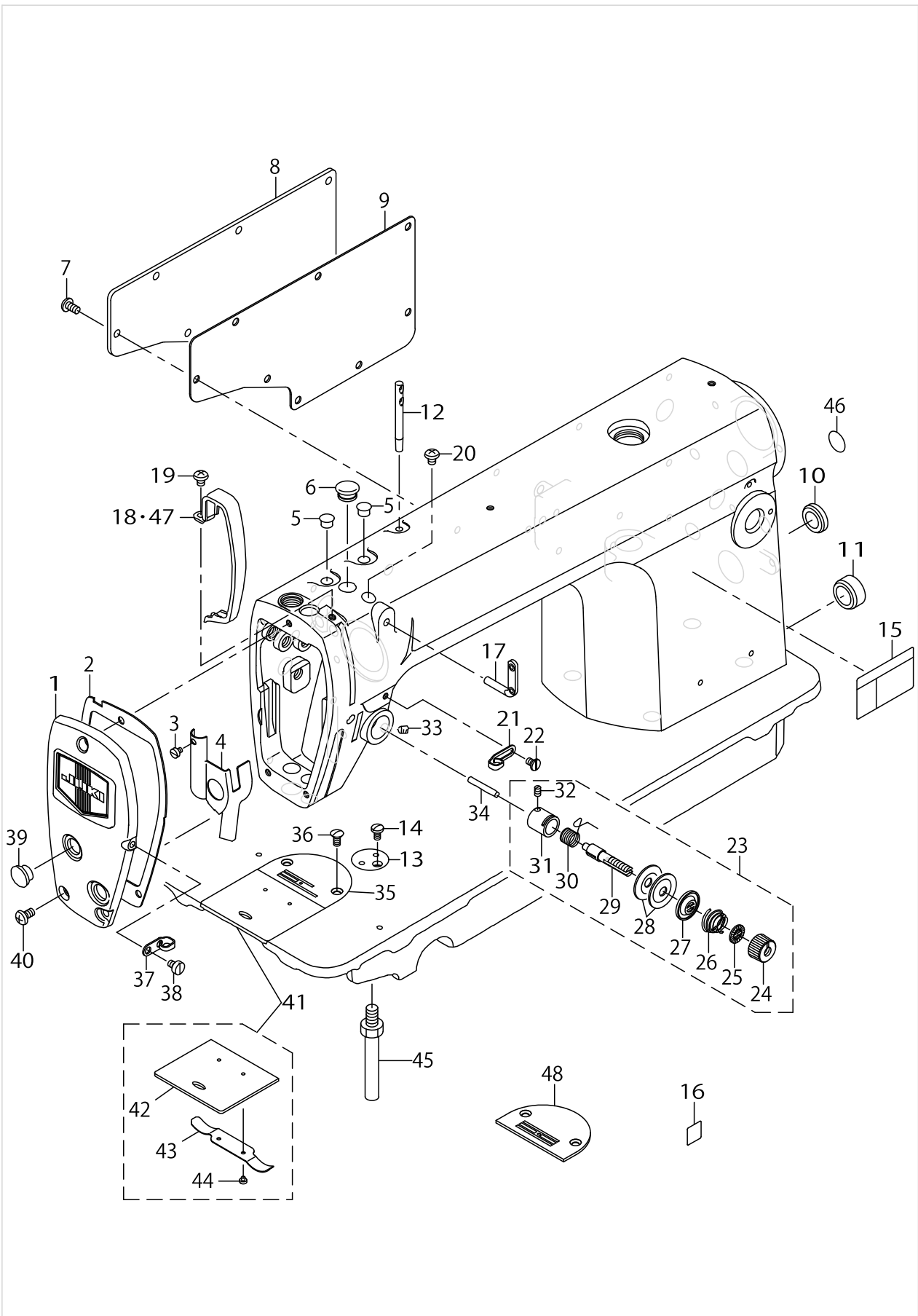
Published:05/12/2017

## CONTENTS

---

MACHINE FRAME & MISCELLANEOUS COVER COMPONENTS .....	1
MAIN SHAFT & THREAD TAKE-UP LEVER COMPONENTS .....	5
NEEDLE BAR, UPRIGHT SHAFT & HOOK DRIVING SHAFT COMPONENTS .....	7
HAND LIFTER COMPONENTS .....	9
FEED MECHANISM COMPONENTS.....	11
OIL LUBRICATION COMPONENTS .....	15
OIL RESERVOIR COMPONENTS .....	17
BELT COVER & BOBBIN COMPONENTS.....	19
THREAD STAND COMPONENTS.....	21
EXCLUSIVE PARTS .....	23
LIST FOR INFORMATION OF CHANGE.....	25
HOW TO MAKE USE OF THIS PARTS LIST .....	26

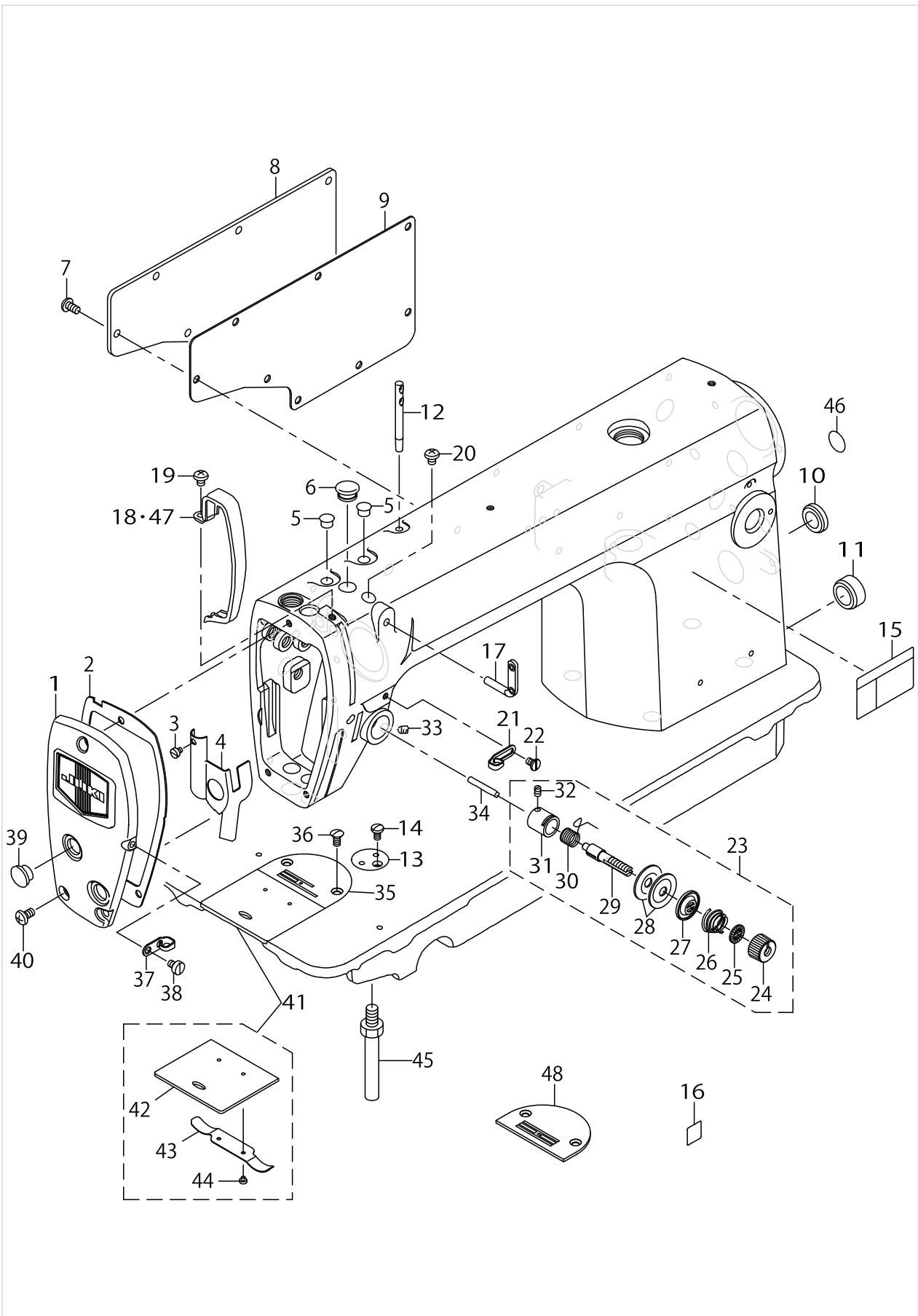
MACHINE FRAME & MISCELLANEOUS COVER COMPONENTS



MACHINE FRAME & MISCELLANEOUS COVER COMPONENTS

No.	Supply Code	Parts No.	Replacement	Parts name	Remarks	Choice	Step	Level	Cons	Qty	Rep. QTY
1		40102097		FACE PLATE ASM.						1	
2		40012126		FACE PLATE PACKING						1	
3		SS6080410SP		SCREW 1/8-44 L=4						1	
4		22900757		FACE PLATE OIL SHIELD ASM.						1	
5		TA0850604R0		RUBBER PLUG						2	
6		TA1250705R0		RUBBER PLUG						1	
7		SS4120915SP		SCREW 3/16-28 L=9						8	
8		40124927		WINDOW_PLATE						1	
9		40012129		SIDE PLATE PACKING						1	
10		TA2000502R0		RUBBER PLUG						1	
11		TA2101002R0		RUBBER PLUG						1	
12		22958300		NEEDLE THREAD GUIDE PIN						1	
13		40124928		RULER STOP SEAT						1	
14		SS7110720SP		SCREW 11/64-40 L=7						1	
15		40102261		SAFETY LABEL S						1	
16		CM600100101		WEEE MARK LABEL S						1	
17		22920706		TWO EYELET						1	
18		22900609		THREAD TAKE-UP LEVER COVER						1	
19		SS4120615SP		SCREW 3/16-28 L=6						1	
20		SS4120615SP		SCREW 3/16-28 L=6						1	
21		22920508		ARMTHREADGUIDEA						1	
22		22921001		SCREW						1	
23		22945356		THREAD TENSION ASM.						1	
24		22921308		THREAD TENSION NUT				*		1	
25		22921407		ROTATION STOPPER				*		1	
26		22921704		THREAD TENSION SPRING A				*		1	
27		22921803		DISK STOPPER				*		1	
28		22921506		THREAD TENSION DISK				*		2	
29		22921209		THREAD TENSION POST				*		1	
30		22921605		THREAD TAKE-UP SPRING				*	☆	1	
31		22945307		THREAD TENSION POST BASE				*		1	
32		SS8090670SP		SCREW 9/64-40 L=5.5				*		1	
33		SS8150710TP		SCREW 15/64-28 L=7						1	
34	R	B3118552E00	22920904	TENSION RELEASING						1	1.00
35		11028008		THROAT PLATE						1	
36		SS2110920TP		SCREW 11/64-40 L=8.5						2	
37		22920607		ARMTHREADGUIDEB						1	
38		SS6110610TP		SCREW 11/64-40 L=6						1	
39		TA1250406R0		RUBBER PLUG D=12.5 L=4						2	
40		SS4120915SP		SCREW 3/16-28 L=9						3	
41		22901250		SLIDE PLATE ASM.						1	
42	R	22901201	22901250	SLIDE PLATE				*		1	1.00
43		22901300		SLIDE PLATE SPRING				*		1	
44		SS6060210SP		SCREW 3/32-56 L=1.9				*		2	
45		22901003		BED SCREW STUD						4	
46		22901805		GROUND MARK						1	

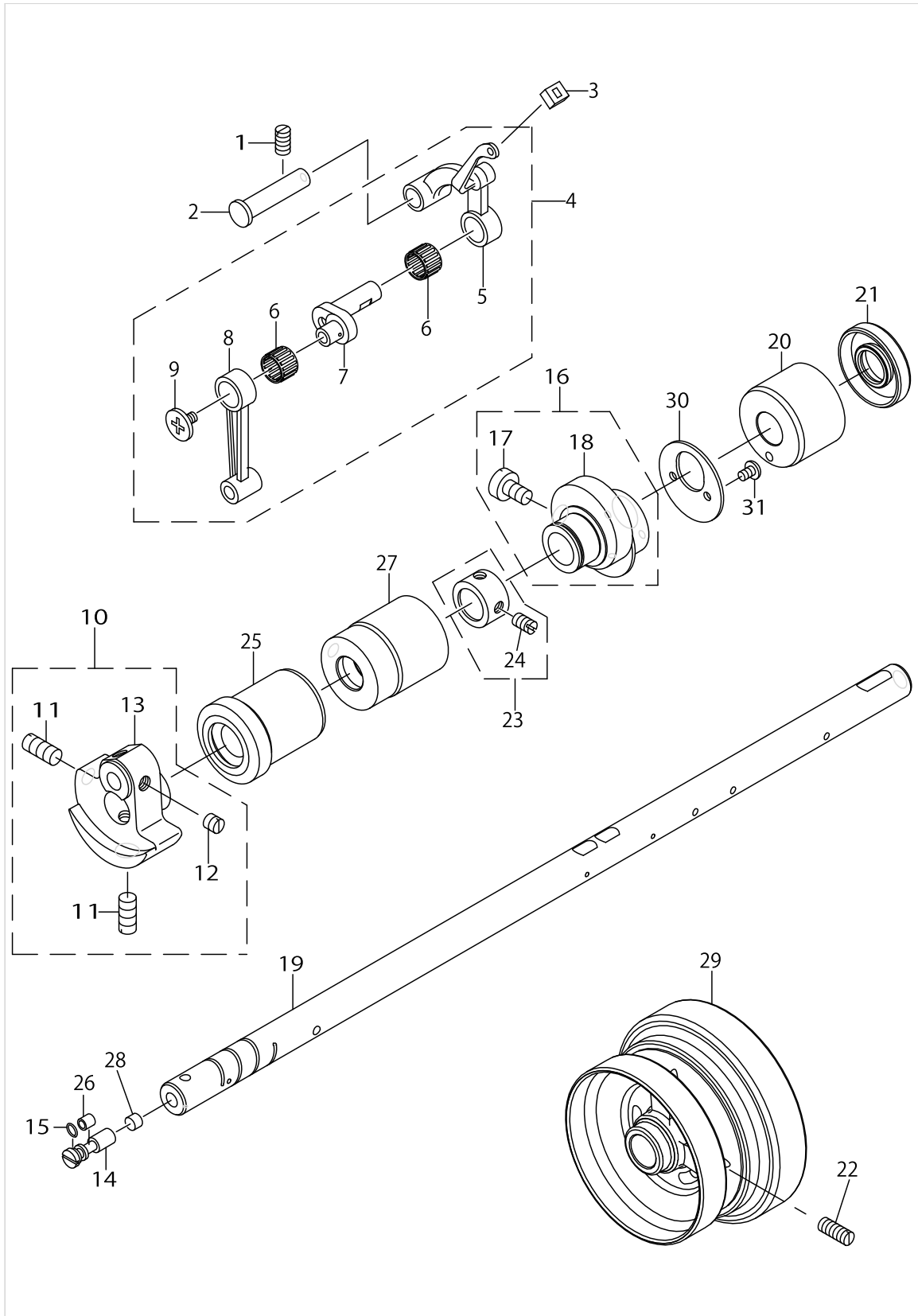
MACHINE FRAME & MISCELLANEOUS COVER COMPONENTS



MACHINE FRAME & MISCELLANEOUS COVER COMPONENTS

No.	Supply Code	Parts No.	Replacement	Parts name	Remarks	Choice	Step	Level	Cons	Qty	Rep. QTY
47		11415205		THREAD TAKE-UP LEVER COVER(JE)	FOR JE					1	
48		22965909		THROAT PLATE	ONLY VIET- NAM USES IT.					1	

MAIN SHAFT & THREAD TAKE-UP LEVER COMPONENTS

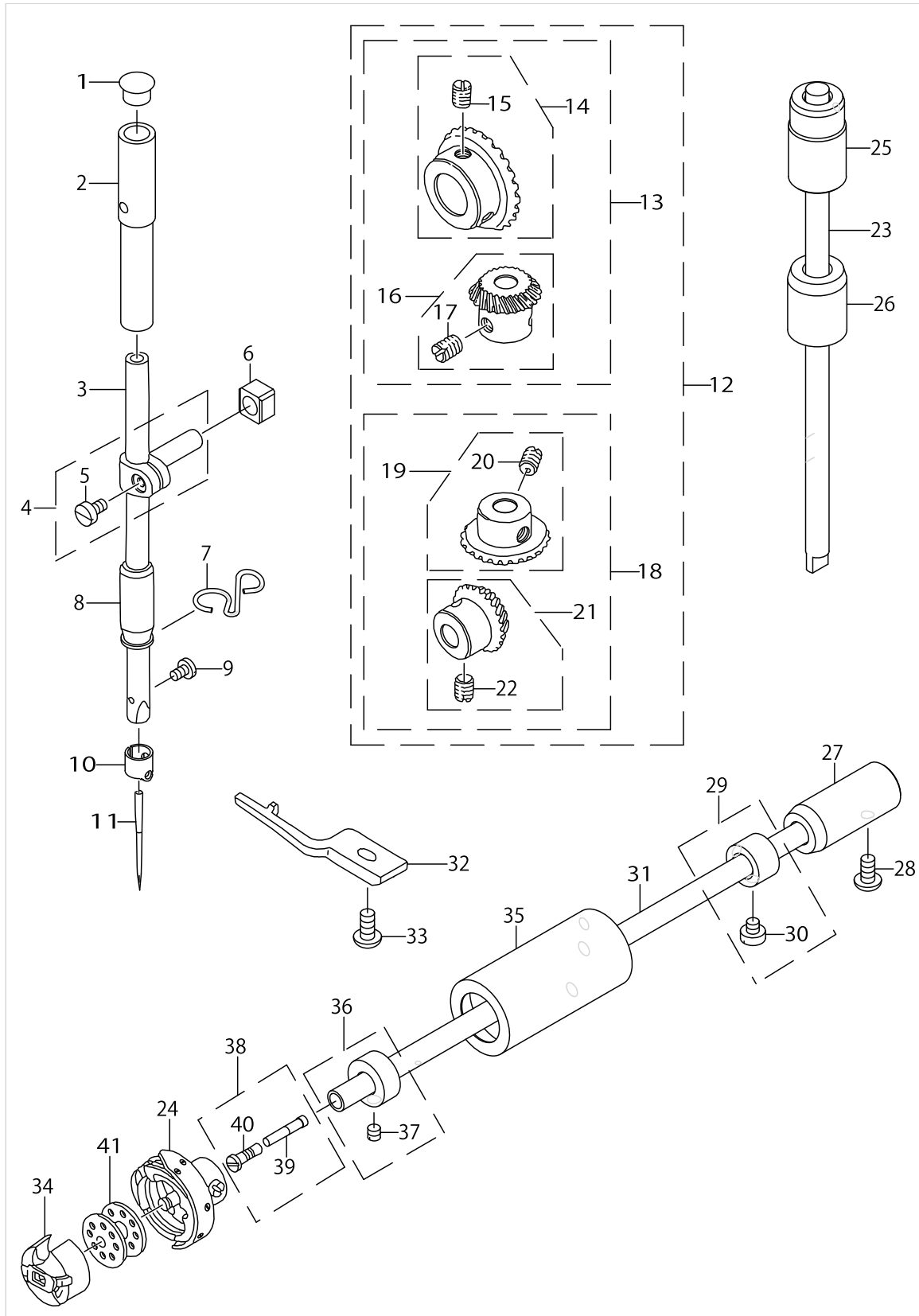


MAIN SHAFT & THREAD TAKE-UP LEVER COMPONENTS

No.	Supply Code	Parts No.	Replacement	Parts name	Remarks	Choice	Step	Level	Cons	Qty	Rep. QTY
1		SS8151150TP		SCREW 15/64-28 L=10.5						1	
2		40106138		THREAD_TAKE-UP_- CRANK_SHAFT_ASM						1	
3		22919203		OIL PROTECTING RUBBER						1	
4		22918072		THREAD TAKE-UP LEVER COMPL.						1	
5	R	22918064	22918072	THREAD TAKE-UP LEVER ASM.				*		1	1.00
6		22918502		NEEDLE BEARING B	SELECTIVE PARTS			*		2	
7		22918106		NEEDLE BAR CRANK				*		1	
8		22906606		NEEDLE BAR CRANK ROD				*		1	
9	R	22918304	B1903552000	LEFT SCREW				*		1	1.00
10		40110390		COUNTER_WEIGHT_ASM.						1	
11		SS8681650TP		SCREW 9/32-28 L=16				*		2	
12		SS8660610TP		SCREW 1/4-40 L=6				*		2	
13		40110376		COUNTER_WEIGHT				*		1	
14		22903900		ADJUSTING PIN						1	
15		RO029180100		RUBBER RING						1	
16		22910053		FEED DRIVE ECCEN- TRIC CAM ASM.						1	
17		SS6661110SP		SCREW 1/4-40 L=11				*		2	
18	R	22910004	22910053	FEED DRIVE ECCENTRIC CAM				*		1	1.00
19		22903009		MAIN SHAFT						1	
20		40048594		MAIN SHAFT BUSHING						1	
21		40105231		OIL SEAL						1	
22		SS8151550SP		SCREW15/64-28L=15						2	
23		22904155		MAIN SHAFT THRU- ST COLLAR ASM.						1	
24		SS8660610TP		SCREW 1/4-40 L=6				*		2	
25		22903207		MAIN SHAFT BUSHING FRONT						1	
26		B1215552000		OIL ADJUSTING COLLAR						1	
27		22903306		BUSHING INTERMEDIATE						1	
28		11002904		ROLLER FELT						1	
29	R	40101350	40101683	HAND WHEEL						1	1.00
30		22910103		THRUST COLLAR						1	
31		SS4090615SP		SCREW 9/64-40 L=6						2	



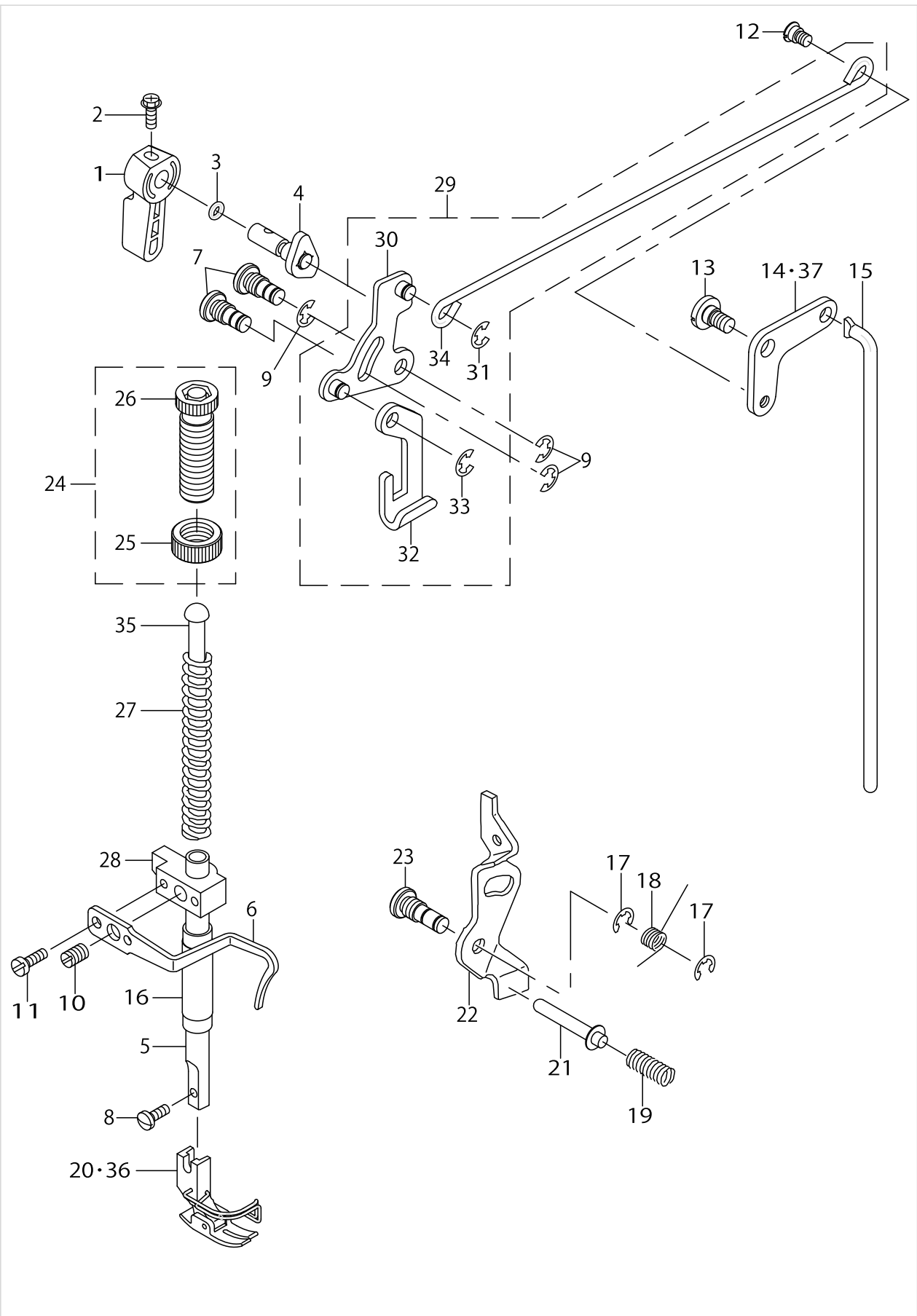
NEEDLE BAR, UPRIGHT SHAFT & HOOK DRIVING SHAFT COMPONENTS



NEEDLE BAR, UPRIGHT SHAFT & HOOK DRIVING SHAFT COMPONENTS

No.	Supply Code	Parts No.	Replacement	Parts name	Remarks	Choice	Step	Level	Cons	Qty	Rep. QTY
1		TA0850604R0		RUBBER PLUG						1	
2		22906101		NEEDLE BAR BUSHING UPPER						1	
3		22906002		NEEDLE BAR						1	
4		22906457		NEEDLE BAR HOLDER ASM.						1	
5		SS6090670TP		SCREW 9/64-40 L=6				*		1	
6		40090058		SLIDE BLOCK						1	
7		22920805		NEEDLE BAR THREAD GUIDE						1	
8		40101441		NEEDLE BAR BUSHING LOWER						1	
9		SS7080510TP		SCREW 1/8-44 L=4.5					☆	1	
10		22906309		NEEDLE BAR THREAD GUIDE						1	
11		MDB100B1400		NEEDLE DBX1 #14					☆	1	
12	R	B13061550C0	B13071550C0	GEAR & PINION ASM.	ONLY VIET-NAM USES IT.					1	1.00
13		B13061550B0		GEAR & PINION ASM. UPPER	ONLY VIET-NAM USES IT.			*		1	
14		40090002		UPPER LARGE BEVEL GEAR ASM.				*		1	
15		SS8660810TP		SCREW 1/4-40 L=8				*		2	
16		40090003		UPPER SMALL BEVEL GEAR ASM.				*		1	
17		SS8660810TP		SCREW 1/4-40 L=8				*		2	
18		B13071550B0		GEAR & PINION ASM. LOWER	ONLY VIET-NAM USES IT.			*		1	
19		40090004		LOWER LARGE BEVEL GEAR ASM.				*		1	
20		SS8660810TP		SCREW 1/4-40 L=8				*		2	
21		40090005		LOWER SMALL BEVEL GEAR ASM.				*		1	
22		SS8660810TP		SCREW 1/4-40 L=8				*		2	
23		40101461		UPRIGHT SHAFT						1	
24		40122606		HOOK ASM.					☆	1	
25		22905103		UPRIGHT SHAFT BUSHING UPPER						1	
26		22905202		UPRIGHT SHAFT BUSHING LOWER						1	
27		22916308		HOOK DRIVING SH-AFT BUSH REAR						1	
28		SS4120915SP		SCREW 3/16-28 L=9						1	
29		22917157		THRUST COLLAR ASM. REAR						1	
30		SS6110420TP		SCREW 11/64-40 L=4.8				*		2	
31		22916001		HOOK DRIVING SHAFT						1	
32		22916407		BOBBIN CASE POSITIONING FINGER						1	
33		SS4110915TP		SCREW 11/64-40 L=9						1	
34		B18370120A0		BOBBIN CASE ASM.					☆	1	
35		40101992		HOOK_DRIVING_SH-AFT_BUSH_FRONT						1	
36	R	40101694	22917058	THRUST COLLAR ASM. FRONT						1	1.00
37		SS8110410TP		SCREW 11/64-40 L= 3.5				*		1	
38		22916555		OILSEALSCREWASM.						1	
39		11015906		OIL WICK				*		1	
40		22916506		SET SCREW				*		1	
41		22932909		BOBBIN					☆	1	

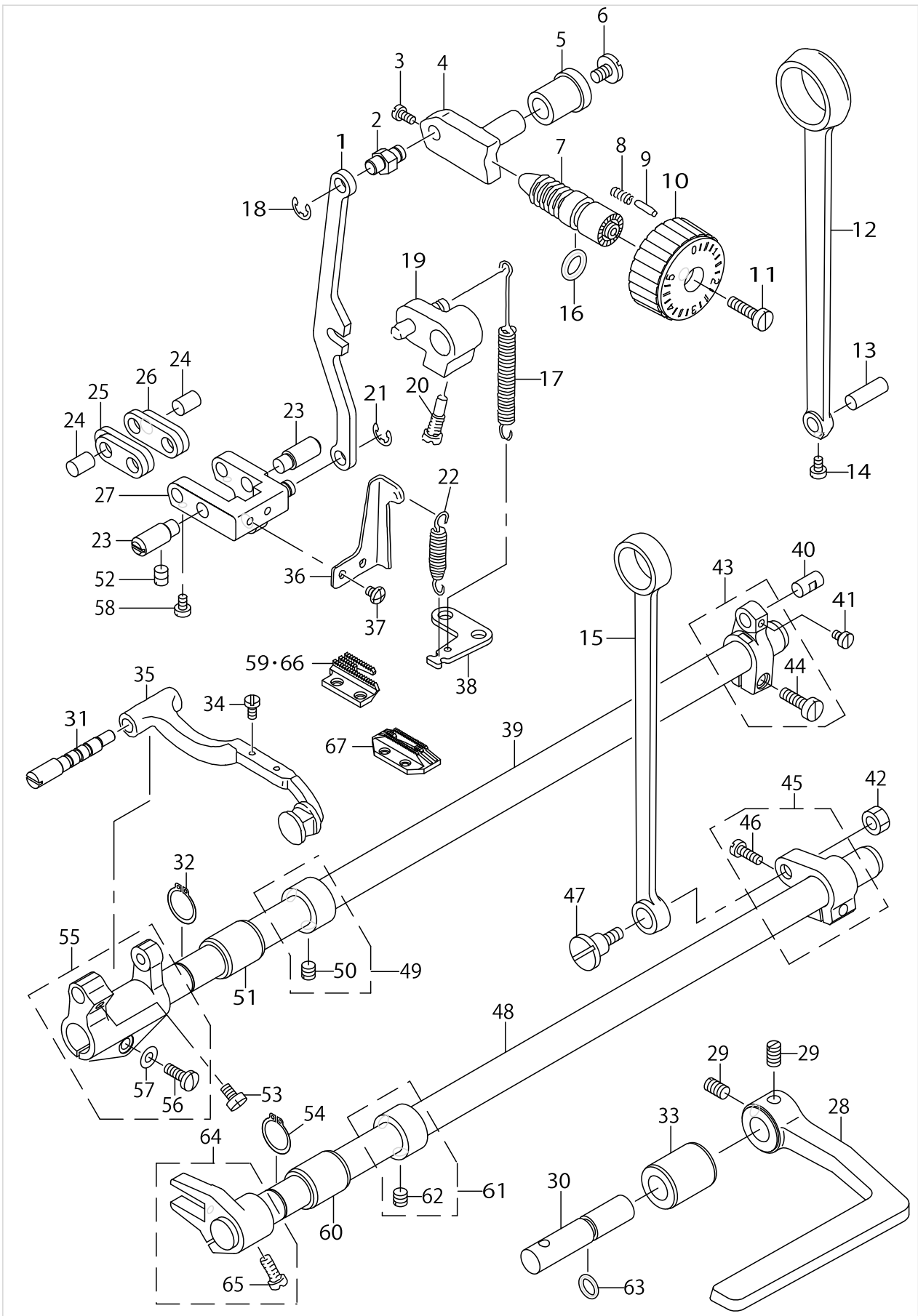
HAND LIFTER COMPONENTS



HAND LIFTER COMPONENTS

No.	Supply Code	Parts No.	Replacement	Parts name	Remarks	Choice	Step	Level	Cons	Qty	Rep. QTY
1		22907802		HAND LIFTER						1	
2		B1521555000		SCREW						1	
3		RO037180100		RUBBER RING						1	
4		22908552		HAND LIFTER CAM ASM.						1	
5		40017805		PRESSER BAR						1	
6		22907307		THREAD GUIDE						1	
7		22908701		LINK SHAFT						1	
8		SS7091110TP		SCREW 9/64-40 L=10.5						1	
9		RE0500000K0		E-RING						3	
10		SS8660810TP		SCREW 1/4-40 L=8						1	
11		SS6090910SP		SCREW 9/64-40 L=9						2	
12		22908909		HINGE SCREW						1	
13		SD0720331SP		HINGE SCREW D= 7.24 H= 3.3						1	
14		22908800		KNEE LIFTER LINK						1	
15		22909006		KNEE LIFTER CONNECTING ROD						1	
16		40060989		PRESSER BAR BUSHING LOWER						1	
17		RE0500000K0		E-RING						2	
18		22920201		RETURN SPRING						1	
19		22920409		THREAD RELEASE PIN SPRING						1	
20	R	40102595	B15240120BA	PRESSER FOOT ASM.						1	1.00
21		22920300		THREAD RELEASE SUPPORTING PIN						1	
22		22920003		THREAD RELEASE PLATE						1	
23		22920102		TENSION RELEASE SHAFT						1	
24		22907554		PRESSER SPRING REGULATOR ASM.						1	
25	R	22907604	22907554	PRESSER SPRING REGULATOR NUT				*		1	1.00
26	R	22907505	22907554	PRESSER SPRING REGULATOR				*		1	1.00
27		22907406		PRESSER SPRING						1	
28		40098388		PRESSER BAR GUIDE BRACKET						1	
29		22908354		KNEE LIFTING CROSS ROD ASM.						1	
30	R	22908156	22908354	LIFTING LINK ASM.				*		1	1.00
31		RE0500000K0		E-RING				*		1	
32	R	22908008	22908354	LIFTING PLATE		A	DDL-5550 5550N 555- 0N-7 5556- N-7 5600NL-7	*		1	1.00
32	R	22908008	23609357	LIFTING PLATE		B	DDL-9000A 9000B	*		1	1.00
32	R	22908008	40057398	LIFTING PLATE		C	LH-3500	*		1	1.00
32	R	22908008	40174387	LIFTING PLATE		D	DDL-9000C	*		1	1.00
33		RE0500000K0		E-RING				*		1	
34		22908305		KNEE LIFTER SIDE ROD				*		1	
35		22907703		PRESSER GUIDE BAR						1	
36		B15240120BA		PRESSER FOOT ASM.	ONLY VIET- NAM USES IT.					1	
37		40124929		KNEE LIFTER LINK	ONLY VIET- NAM USES IT.					1	

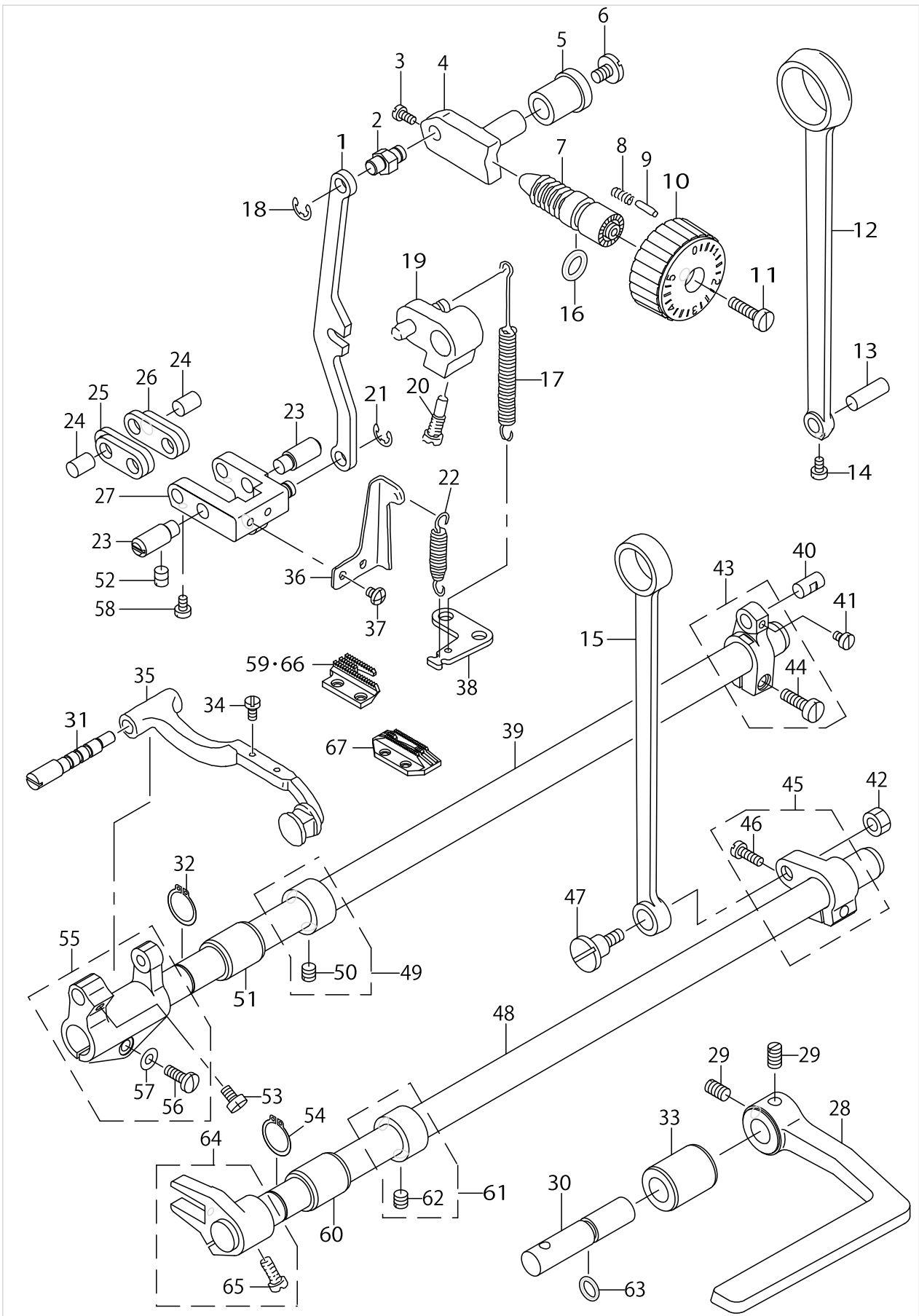
FEED MECHANISM COMPONENTS



FEED MECHANISM COMPONENTS

No.	Supply Code	Parts No.	Replacement	Parts name	Remarks	Choice	Step	Level	Cons	Qty	Rep. QTY
1		40105819		FEED_REGULATOR_-CONNECTING_ROD						1	
2		22911507		WALKING FOOT PIN C						1	
3		SS6090670TP		SCREW 9/64-40 L=6						2	
4		22911606		FEED REGULATOR						1	
5		22911705		FEED REGULATOR BUSHING						1	
6		SS7120770SH		SCREW 3/16-28 L=7						1	
7		22911804		FEED REGULATOR SCREW						1	
8		22912109		FEED REGULATOR PIN SPRING						1	
9		22912000		FEED REGULATOR PIN						1	
10		40101726		FEED DIAL						1	
11		SS6121860SP		SCREW 3/16-28 L=18						1	
12	R	22910202	22910251	ROCKER SHAFT CO-NECTING ROD						1	1.00
13		22911101		WALKING FOOT PIN C						1	
14		SS6090620TP		SCREW						1	
15		22915003		CONNECTING ROD						1	
16		RO092270200		RUBBER RING						1	
17		11010311		LEVER SPRING (OLD TYPE)						1	
18		RE0500000K0		E-RING						1	
19		22912257		FEED REVERSE ARM ASM.						1	
20		22912505		FEED REVERSE ARM SCREW						1	
21		RE0500000K0		E-RING						1	
22		22911309		ADJUSTING LINK SPRING						1	
23		22910806		ADJUST LINK FULCRUM SHAFT A						2	
24		22910905		WALKING FOOT PIN A						2	
25		40089548		CONNECTING LINK B						2	
26		40093417		CONNECTING LINK A						2	
27		22910459		FEED ADJUSTING LINK ASM.						1	
28	R	22912703	22912752	FEED LEVER						1	1.00
29		SM8061010TP		SCREW						2	
30		40100812		FEED LEVER SHAFT						1	
31		40101462		FEED BASE SHAFT						1	
32		RC0150001KP		RETAINING RING 13.8						1	
33		22912802		FEED LEVER SHAFT BUSHING						1	
34		SS4080620TP		SCREW 1/8-44 L=6						2	
35		22940753		FEED BAR ASM.						1	
36		22941306		REGULATOR LINK SPRING HOOK						1	
37		SS4110515SP		SCREW 11/64-40 L=5						2	
38		22913701		FEED SPRING HOOK						1	
39		40102124		FEED ROCKERSHAFT						1	
40		22911002		WALKING FOOT PIN B						1	
41		SS6090620TP		SCREW						1	
42		NS6680410SP		NUT 9/32-28						1	
43		40110379		ASSY_FEED_ROCKER_ARM						1	
44		SS6121610SP		SCREW 3/16-28 L=15.5				*		1	
45		40109422		FEED_ARM_ASM						1	

FEED MECHANISM COMPONENTS

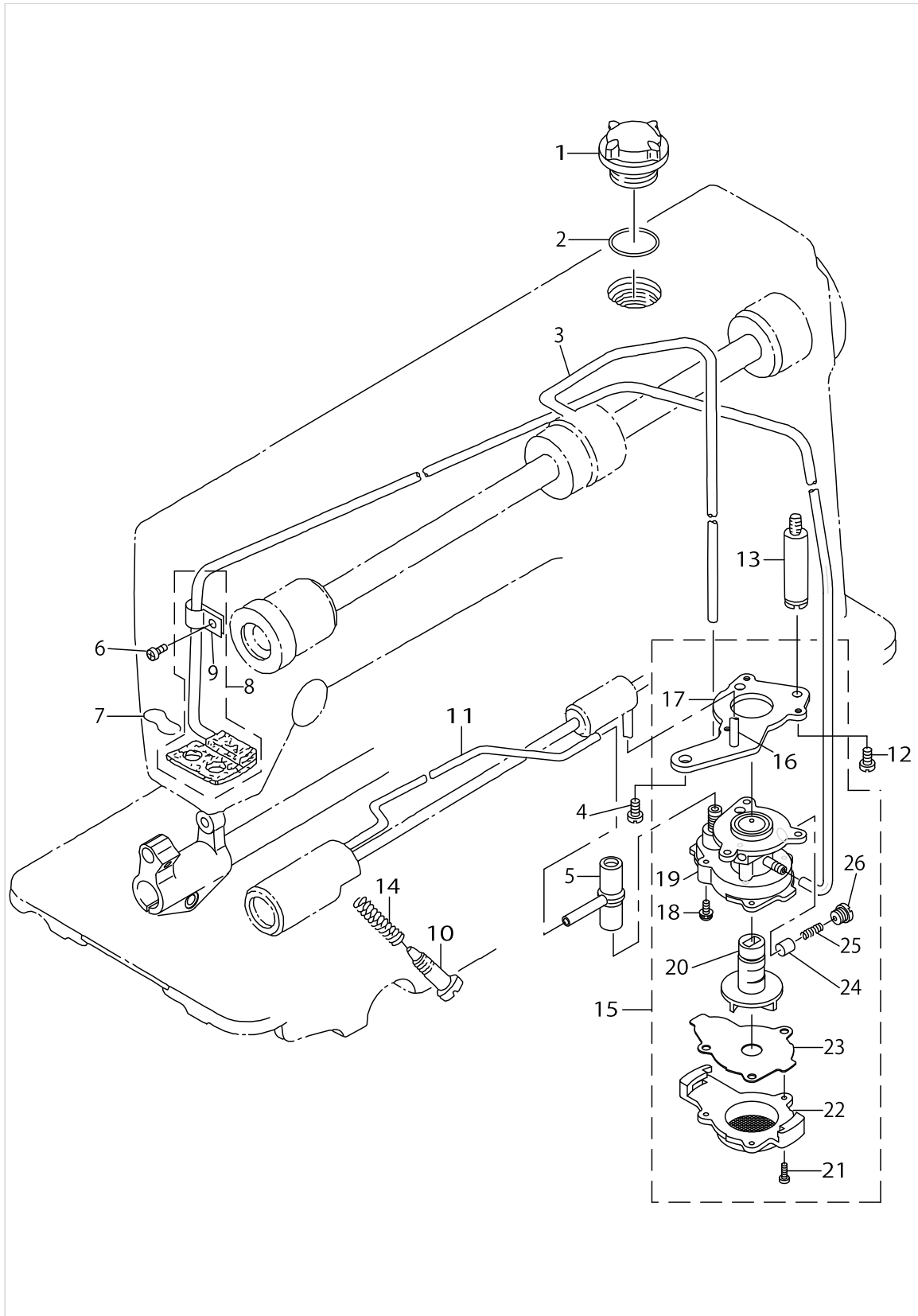


FEED MECHANISM COMPONENTS

No.	Supply Code	Parts No.	Replacement	Parts name	Remarks	Choice	Step	Level	Cons	Qty	Rep. QTY
46		SS7121610SP		SCREW 3/16-28 L=15.5				*		1	
47		SD1000801SH		HINGE SCREW D=10 H=8						1	
48		22915201		FEED DRIVING SHAFT						1	
49		22904155		MAIN SHAFT THRU-ST COLLAR ASM.						1	
50		SS8660610TP		SCREW 1/4-40 L=6				*		2	
51		40101702		FEED ROCKER SHAFT BUSHING						1	
52		SS6151220SP		SCREW 15/64-28 L=11.5						2	
53		SS7110740TP		SCREW 11/64-40 L=7						1	
54		RC0150001KP		RETAINING RING 13.8						1	
55		22940654		FEED ROCKER ASM.						1	
56		SS7121410TP		SCREW 3/16-28 L=14				*		1	
57		WP0480856SP		WASHER 4.8X8.4X0.8				*		1	
58		SS6090620TP		SCREW						2	
59	R	40101701	B1613012A00	FEED DOG A					☆	1	1.00
60		40101702		FEED ROCKER SHAFT BUSHING						1	
61		22904155		MAIN SHAFT THRU-ST COLLAR ASM.						1	
62		SS8660610TP		SCREW 1/4-40 L=6				*		1	
63		RO078190100		RUBBER RING						1	
64		22915359		DRIVING SHAFT CRANK ASM.						1	
65	R	SS7111120SP	SS7111120TP	SCREW 11/64-40 L=10.5				*		1	1.00
66		B1613012A00		FEED DOG A	ONLY VIET-NAM USES IT.					1	
67		B1613012I00		FEED DOG I	ONLY VIET-NAM USES IT.					1	



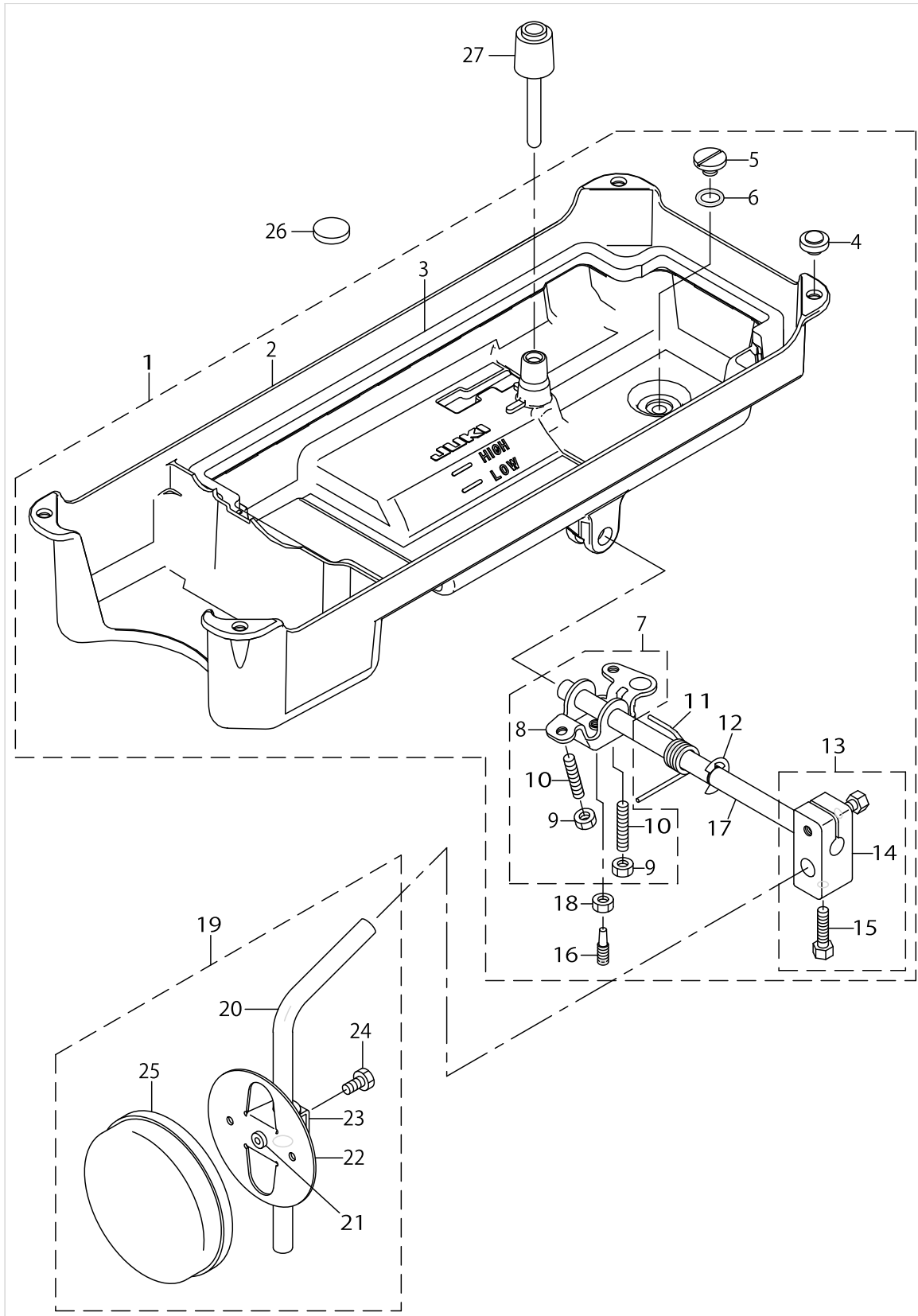
OIL LUBRICATION COMPONENTS



OIL LUBRICATION COMPONENTS

No.	Supply Code	Parts No.	Replacement	Parts name	Remarks	Choice	Step	Level	Cons	Qty	Rep. QTY
1		22924708		OIL SIGHT WINDOW						1	
2		RO195240100		RUBBER RING						1	
3		22924401		MAINSHAFTOILTUBE						1	
4		SS4150915SP		SCREW 15/64-28 L=9						1	
5		22924609		RUBBER JOINT						1	
6		SS4120615SP		SCREW 3/16-28 L=6						1	
7		22925101		OIL FELT PRESSER						1	
8		22924153		RETURN PIPE ASM.						1	
9		22924302		RETURN PIPE HOLDER				*		1	
10		22925002		OIL REGULATOR SCREW						1	
11		22924500		HOOK OIL TUBE						1	
12		SS6111010TP		SCREW 11/64-40 L= 9.5						1	
13		22924005		PUMP BODY STRUT						1	
14		22924906		OIL REGULATOR SCREW SPRING						1	
15		22923056		OIL PUMP ASM.						1	
16		22923908		HOOK DRIVING SH- AFT OILING PIPE				*		1	
17	R	22923312	11392057	PUMP BODY INSTALLING PLATE		A	DLD5430	*		1	1.00
17	R	22923312	11404555	PUMP BODY INSTALLING PLATE		B	DDL5600/- 8100e, DU1181	*		1	1.00
17	R	22923312	22923056	PUMP BODY INSTALLING PLATE		C	DDL8700/- 8300/8500- /900A, DM- N5420/5400	*		1	1.00
18		SL4030851SF		SCREW M3 L=8				*		3	
19	R	22923015	22923056	OIL PUMP				*		1	1.00
20		22923700		IMPELLER				*		1	
21		SE4301041SR		SCREW D=3 L=10				*		3	
22		22923205		PUMP BODY COVER				*		1	
23		22923809		PUMP BODY SUPPORT PLATE				*		1	
24		22923403		PLUNGER				*		1	
25		22923601		PLUNGER SPRING				*		1	
26		22923502		PLUNGER SCREW				*		1	

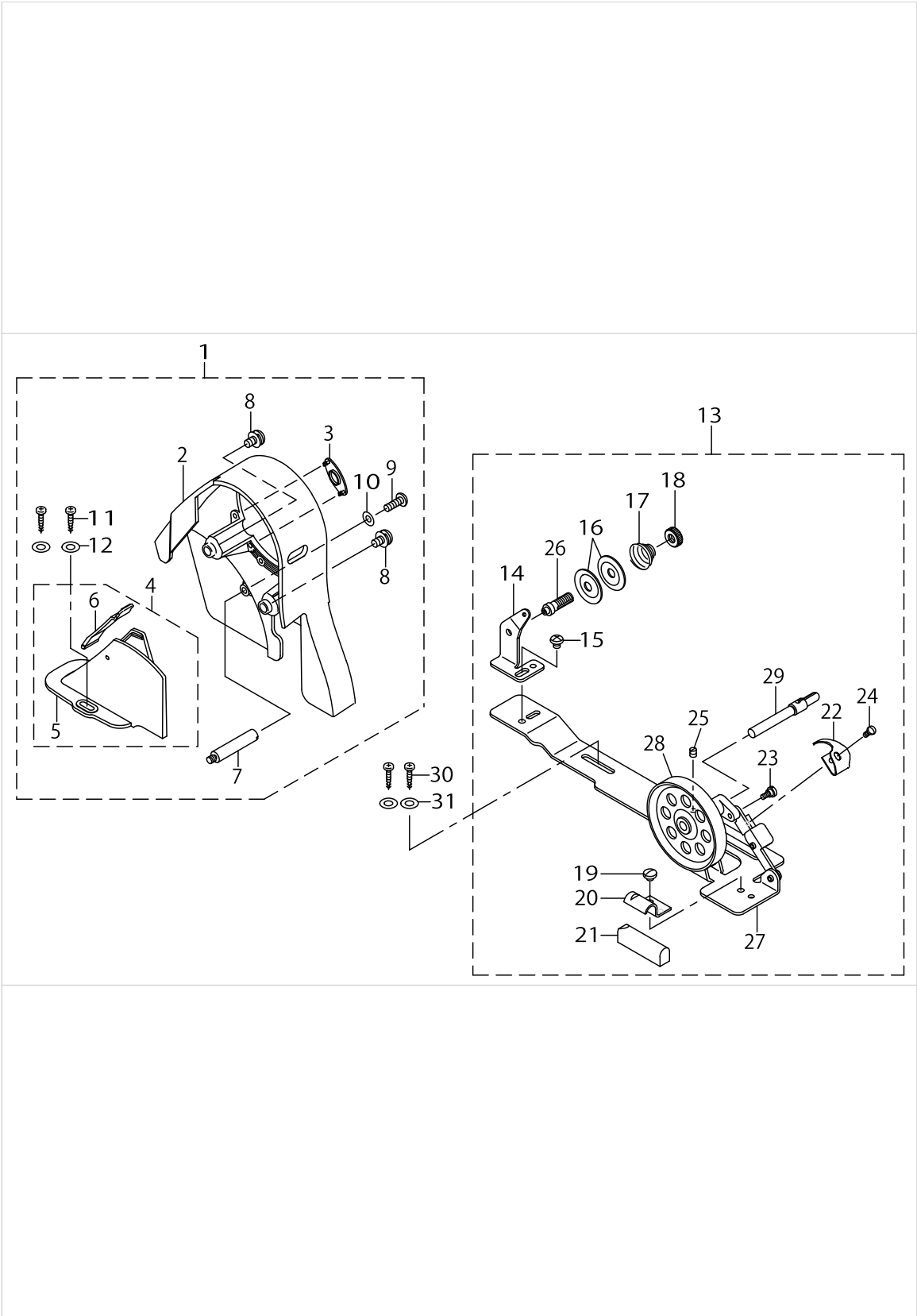
OIL RESERVOIR COMPONENTS



OIL RESERVOIR COMPONENTS

No.	Supply Code	Parts No.	Replacement	Parts name	Remarks	Choice	Step	Level	Cons	Qty	Rep. QTY
1		40102085		OIL RESERVOIR ASM.						1	
2		40105821		OIL RESERVOIR				*		1	
3	R	22931901	11024700	OIL RESERVOIR GASKET				*		1	1.00
4	R	22932008	11047107	RUBBER CUSHION				*		4	1.00
5		SS6700710SH		SCREW 5/16-24 L=7				*		1	
6	D	RO108240100		RUBBER RING				*		1	
7		22932156		KNEE LIFTER ROTATION ARM ASM.				*		1	
8	R	22932107	22932156	KNEE LIFTING ROTATING ARM				*		1	1.00
9		NM6060001SE		NUT M6				*		2	
10		SM8063012TR		SCREW M6 L=30				*		2	
11		22932206		SPRING				*		1	
12		RE1000000K0		E-RING 10				*		1	
13		22932453		BRACKET ASM.				*		1	
14	R	22932404	22932453	BRACKET				*		1	1.00
15		22934707		SCREW				*		2	
16		40101720		SCREW_M6				*		1	
17		40101541		KNEE PRESS CROSS SHAFT				*		1	
18		NM6060001SE		NUT M6				*		1	
19		22934251		KNEE PAD PLATE ASM.				*		1	
20		22934608		KNEE PAD UPRIGHT SHAFT				*		1	
21		22934400		KNEE PAD PLATE RUBBER				*		1	
22		22934202		KNEE PAD PLATE				*		1	
23		22934301		KNEE PAD PLATE SUPPORT				*		1	
24		SM9061203SE		SCREW M6 L=12				*		1	
25		22934509		KNEE PAD PLATE COVER				*		1	
26		B8228125000		OIL RESERVOIR MAGNET				*		1	
27		22931703		KNEE LIFTER PUSH ROD				*		1	

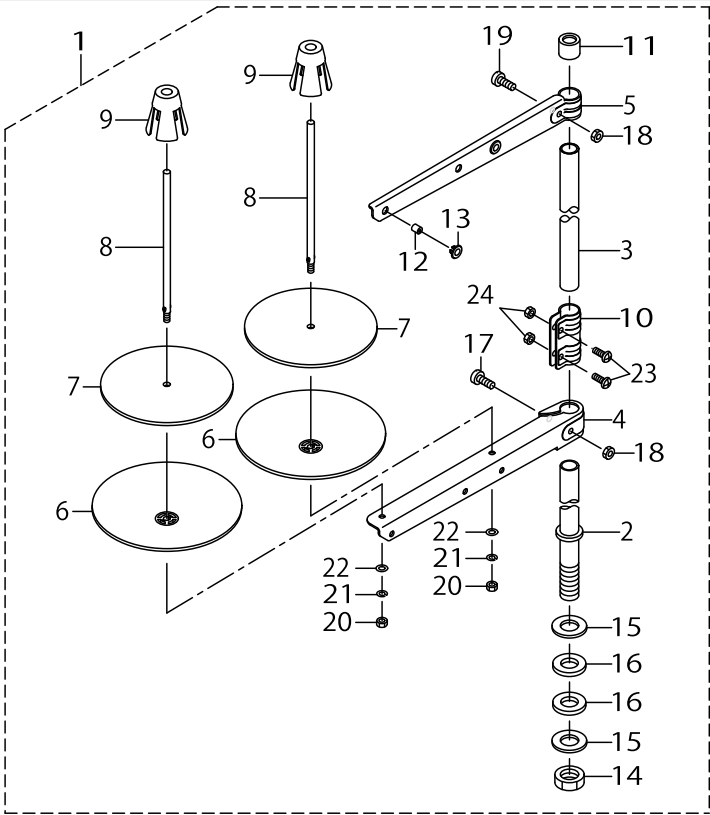
BELT COVER & BOBBIN COMPONENTS



BELT COVER & BOBBIN COMPONENTS

No.	Supply Code	Parts No.	Replacement	Parts name	Remarks	Choice	Step	Level	Cons	Qty	Rep. QTY
1		22933451		BELT COVER ASM.						1	
2	R	22933402	22933451	BELT COVER A				*		1	1.00
3		22933501		BELT COVER A CAP				*		1	
4		22933659		BELT COVER B COMPL.				*		1	
5		22933600		BELT COVER B				*		1	
6	R	22933758	22933659	BELT COVER B LID ASM.				*		1	1.00
7		22933907		BELT COVER STRUT				*		1	
8	R	22934004	11025202	SET SCREW				*		2	1.00
9		SS4121415SP		SCREW 3/16-28 L=14				*		1	
10		WP0501016SD		WASHER 5X10.5X1				*		1	
11	R	SK3412000SC	SK3412000SE	WOOD SCREW D=4.1 L=20				*		2	1.00
12		WP0450826SC		WASHER 4.5X10X0.8				*		2	
13		22927354		BOBBIN WINDER COMPL.						1	
14	R	22928501	11078250	THREAD TENSION POST BASE				*		1	1.00
15		SS4110515SP		SCREW 11/64-40 L=5				*		1	
16	R	22928907	22921506	THREAD TENSION DISK				*		2	1.00
17		22929004		THREAD TENSION SPRING				*		1	
18		22928808		NUT				*		1	
19		SS7110350SP		SCREW 11/64-40 L=3.5				*		1	
20	D	22928402		CONTROL RUBBER HOLDING PLATE				*		1	
21		22928303		CONTROL RUBBER				*		1	
22		22928105		BOBBIN PRESSER				*		1	
23		SD0490261SP		HINGE SCREW D=4.9 H=2.6				*		1	
24		SS7081310SP		SCREW 1/8-44 L=12.5				*		1	
25	R	SS8110510SP	SS8110520TP	SCREW 11/64-40 L=5				*		1	1.00
26	R	22928709	11078250	THREAD TENSION POST				*		1	1.00
27	R	22927305	22927354	BOBBIN WINDER BASE				*		1	1.00
28		22927404		BOBBIN WINDER				*		1	
29		22927602		BOBBIN WINDER SPINDLE				*		1	
30	R	SK3412000SC	SK3412000SE	WOOD SCREW D=4.1 L=20						2	1.00
31		WP0450826SC		WASHER 4.5X10X0.8						2	

THREAD STAND COMPONENTS

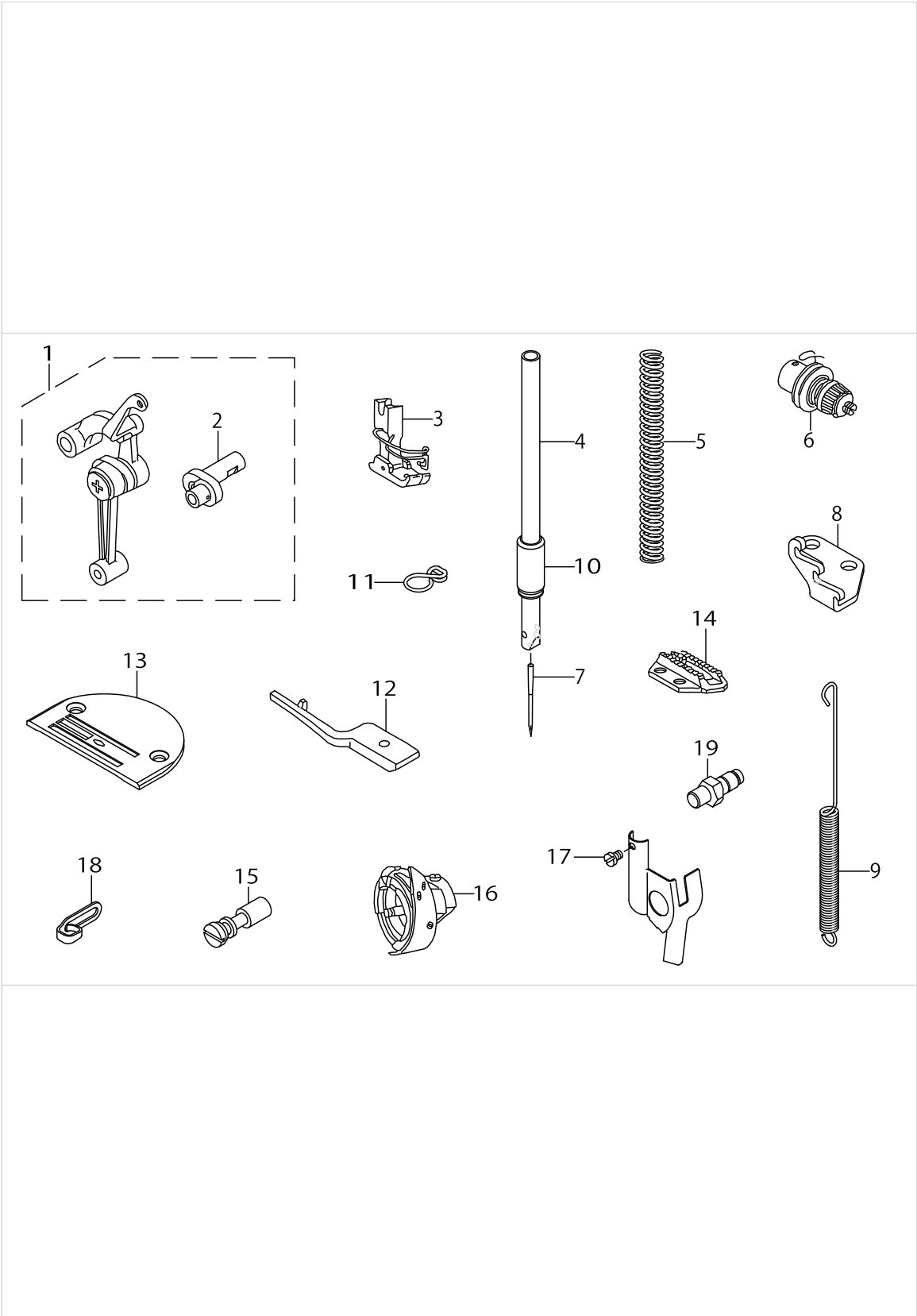


THREAD STAND COMPONENTS

No.	Supply Code	Parts No.	Replacement	Parts name	Remarks	Choice	Step	Level	Cons	Qty	Rep. QTY
1		40096354		THREAD STAND ASM.						1	
2		40085784		SPOOL REST ROD LOWER				*		1	
3		40085785		SPOOL REST ROD UPPER				*		1	
4		40085786		SPOOL REST ARM LOWER				*		1	
5		40085787		SPOOL REST ARM UPPER				*		1	
6		40085788		SPOOL REST				*		2	
7		40085789		SPOOL REST CUSHION				*		2	
8		40085790		SPOOL PIN				*		2	
9		40085791		SPOOL RETAINER				*		2	
10		40085792		SPOOL REST ROD JOINT				*		1	
11		40085793		SPOOL REST ROD RUBBER CAP				*		1	
12		40085794		THREAD GUIDE				*		2	
13		40085795		THREAD GUIDE BUSHING				*		2	
14		40096325		SPOOL REST ROD NUT				*		1	
15		WP1612616SE		WASHER 16X30X2.6				*		2	
16		40085796		SPOOL REST ROD RUBBER CUSHION				*		2	
17		40096326		SPOOL REST ARM LOWER SCREW				*		1	
18		NM6050001SE		NUT M5				*		2	
19	R	40096327	SM4053001SE	SPOOL REST ARM UPPER SCREW				*		1	1.00
20		NM6050001SE		NUT M5				*		2	
21		WS0510002KN		SPRING WASHER M5				*		2	
22		WP0531001SC		WASHER M5				*		2	
23		SM4051405SE		SCREW M5 L=14				*		2	
24		NM6050001SE		NUT M5				*		2	



EXCLUSIVE PARTS



EXCLUSIVE PARTS

No.	Supply Code	Parts No.	Replacement	Parts name	Remarks	Choice	Step	Level	Cons	Qty	Rep. QTY
1		40103560		LINK_THREAD_TAKE- -UP_LENER-H_ASM.						1	
2	R	11091600	40109126	NEEDLEBARCRANKH				*		1	1.00
3		40102621		PRESSER FOOT ASM.						1	
4		22970206		NEEDLE BAR						1	
5		B1505552000A		PRESSER SPRING						1	
6		22962054		THREAD TENSION ASM.						1	
7		MDB100B2100		NEEDLE DBX1 #21					☆	1	
8		22970602		FEED SPRING HOOK						1	
9		40080725		ADJUSTING LINK SPRING						1	
10		22970313		NEEDLE SHAFT BUSHING						1	
11		40023223		NEEDLE BAR THREAD GUIDE						1	
12		11091709		POSITIONINGFINGER						1	
13		B1109555H0B		THROAT PLATE (H)						1	
14		B1613555H00		FEED DOG (H)					☆	1	
15		B1213552000A		OIL ADJUSTING PIN						1	
16		11092459		LUBRICATING BOBBIN ASM.					☆	1	
17		SS6080320SP		SCREW 1/8-44 L= 2.5						1	
18		11091006		ARM THREAD GUIDE (HA)						1	
19		22971204		FEED REGULATOR BASE PIN						1	

LIST FOR INFORMATION OF CHANGE

As to the place changed, refer to the corresponding Rev.No.  
 When previous parts (Obsoleted part) and new parts (Added parts) are not interchangeable with each other:  
 In this case, even obsoleted parts (D.) can be ordered with the obsoleted part number, so select the parts with changed dates and place your orders.

変更箇所は、該当Rev.No.版をご参照ください。  
 部品の互換性がない変更の場合は、削除された品番でも、ご注文できます。  
 40102096

No.1556-~~03~~ Rev.No.

\*A:Added parts追加部品/D:Obsoleted parts削除部品/E:Erratum訂正

* Rev. No.	Page 頁	Ref. No.	Parts No. 品番	* Rev. No.	Page 頁	Ref. No.	Parts No. 品番
D 02	2	8	401-02664	A 03	2	8	401-24927
D 02	2	13	400-99083	A 03	2	13	401-24928
D 02	6	24	B1830-127-0A0	A 03	6	24	401-22606
D 02	6	25	401-01691	A 03	6	25	229-05103
D 02	6	27	401-01692	A 03	6	27	229-16308
				A 03	8	37	401-24929

## HOW TO MAKE USE OF THIS PARTS LIST

### 1.Explanation of codes

1)"\*"mark.....means this part is changed from the previous parts book.

As to the details of the change, refer to the "List for information of change".

2)"#01".....refer to "Note" explanation at bottom of page.

### 2.Codes on the "Qty" column

- Each numeral indicates the number of parts required.
- "0.1" and "2.5" indicate the length (in meters) of the respective parts.

3.Parentheses mean that the corresponding part is a subpart that constructs an assembly part.

4.Dotted lines on the Figures indicate assembly parts.

5.As to the parts with marks of "☆"(consumable parts) and "◎"(optional parts)on the respective parts, it is recommended to prepare spares.

### 1 ."注記"欄の記号説明

1) "\*"印.....前回のパーツブックに比較して今回変更された部品を意味します。

変更内容は、"変更情報リスト"を参照してください。

2) "#01".....ページ下の"注記"の説明を参照してください。

2.数量欄の数字は、個数を表し、0.1、2.5等の数値は、長さ（単位メートル）を表します。

3.数量欄の（ ）は、組部品を構成している子部品であることを意味します。

4.イラストページの-----枠は、組構成であることを意味します。

5.リストページの"☆"（消耗部品）、"◎"（オプション部品）の印がついた部品は、予備を準備しておくことをお奨めします。

# NUMERICAL INDEX OF PARTS

PART NO	PAGE	REF NO.	PART NO	PAGE	REF NO.	PART NO	PAGE	REF NO.
11002904	6	28	22910004	6	18	22921001	2	22
11010311	12	17	22910053	6	16	22921209	2	29
11015906	8	39	22910103	6	30	22921308	2	24
11028008	2	35	22910202	12	12	22921407	2	25
11091006	24	18	22910459	12	27	22921506	2	28
11091600	24	2	22910806	12	23	22921605	2	30
11091709	24	12	22910905	12	24	22921704	2	26
11092459	24	16	22911002	12	40	22921803	2	27
11415205	4	18-47	22911101	12	13	22923015	16	19
22900609	2	18-7	22911309	12	22	22923056	16	15
22900757	2	4	22911507	12	2	22923205	16	22
22901003	2	45	22911606	12	4	22923312	16	17
22901201	2	42	22911705	12	5	22923403	16	24
22901250	2	41	22911804	12	7	22923502	16	26
22901300	2	43	22912000	12	9	22923601	16	25
22901805	2	46	22912109	12	8	22923700	16	20
22903009	6	19	22912257	12	19	22923809	16	23
22903207	6	25	22912505	12	20	22923908	16	16
22903306	6	27	22912703	12	28	22924005	16	13
22903900	6	14	22912802	12	33	22924153	16	8
22904155	6	23	22913701	12	38	22924302	16	9
22904155	14	61	22915003	12	15	22924401	16	3
22905103	8	25	22915201	14	48	22924500	16	11
22905202	8	26	22915359	14	64	22924609	16	5
22906002	8	3	22916001	8	31	22924708	16	1
22906101	8	2	22916308	8	27	22924906	16	14
22906309	8	10	22916407	8	32	22925002	16	10
22906457	8	4	22916506	8	40	22925101	16	7
22906606	6	8	22916555	8	38	22927305	20	27
22907307	10	6	22917157	8	29	22927354	20	13
22907406	10	27	22918064	6	5	22927404	20	28
22907505	10	26	22918072	6	4	22927602	20	29
22907554	10	24	22918106	6	7	22928105	20	22
22907604	10	25	22918304	6	9	22928303	20	21
22907703	10	35	22918502	6	6	22928402	20	20
22907802	10	1	22919203	6	3	22928501	20	14
22908008	10	32	22920003	10	22	22928709	20	26
22908156	10	30	22920102	10	23	22928808	20	18
22908305	10	34	22920201	10	18	22928907	20	16
22908354	10	29	22920300	10	21	22929004	20	17
22908552	10	4	22920409	10	19	22931703	18	27
22908701	10	7	22920508	2	21	22931901	18	3
22908800	10	14-37	22920607	2	37	22932008	18	4
22908909	10	12	22920706	2	17	22932107	18	8
22909006	10	15	22920805	8	7	22932156	18	7

NUMERICAL INDEX OF PARTS

PART NO	PAGE	REF NO.	PART NO	PAGE	REF NO.	PART NO	PAGE	REF NO.
22932206	18	11	40085791	22	9	40122606	8	24
22932404	18	14	40085792	22	10	40124927	2	8
22932453	18	13	40085793	22	11	40124928	2	13
22932909	8	41	40085794	22	12	40124929	10	14·37
22933402	20	2	40085795	22	13	B1109555H0B	24	13
22933451	20	1	40085796	22	16	B1213552000A	24	15
22933501	20	3	40089548	12	25	B1215552000	6	26
22933600	20	5	40090002	8	14	B13061550B0	8	13
22933659	20	4	40090003	8	16	B13061550C0	8	12
22933758	20	6	40090004	8	19	B13071550B0	8	18
22933907	20	7	40090005	8	21	B1505552000A	24	5
22934004	20	8	40090058	8	6	B1521555000	10	2
22934202	18	22	40093417	12	26	B15240120BA	10	20·36
22934251	18	19	40096325	22	14	B1613012A00	14	59·66
22934301	18	23	40096326	22	17	B1613012I00	14	67
22934400	18	21	40096327	22	19	B1613555H00	24	14
22934509	18	25	40096354	22	1	B18370120A0	8	34
22934608	18	20	40098388	10	28	B3118552E00	2	34
22934707	18	15	40100812	12	30	B8228125000	18	26
22940654	14	55	40101350	6	29	CM600100101	2	16
22940753	12	35	40101441	8	8	MDB100B1400	8	11
22941306	12	36	40101461	8	23	MDB100B2100	24	7
22945307	2	31	40101462	12	31	NM6050001SE	22	24
22945356	2	23	40101541	18	17	NM6060001SE	18	18
22958300	2	12	40101694	8	36	NS6680410SP	12	42
22962054	24	6	40101701	14	59·66	RC0150001KP	12	54
22965909	4	48	40101702	14	60	RC0150001KP	14	54
22970206	24	4	40101720	18	16	RE0500000K0	10	33
22970313	24	10	40101726	12	10	RE0500000K0	12	21
22970602	24	8	40101992	8	35	RE1000000K0	18	12
22971204	24	19	40102085	18	1	RO029180100	6	15
40012126	2	2	40102097	2	1	RO037180100	10	3
40012129	2	9	40102124	12	39	RO078190100	14	63
40017805	10	5	40102261	2	15	RO092270200	12	16
40023223	24	11	40102595	10	20·36	RO108240100	18	6
40048594	6	20	40102621	24	3	RO195240100	16	2
40060989	10	16	40103560	24	1	SD0490261SP	20	23
40080725	24	9	40105231	6	21	SD0720331SP	10	13
40085784	22	2	40105819	12	1	SD1000801SH	14	47
40085785	22	3	40105821	18	2	SE4301041SR	16	21
40085786	22	4	40106138	6	2	SK3412000SC	20	30
40085787	22	5	40109422	12	45	SL4030851SF	16	18
40085788	22	6	40110376	6	13	SM4051405SE	22	23
40085789	22	7	40110379	12	43	SM8061010TP	12	29
40085790	22	8	40110390	6	10	SM8063012TR	18	10

NUMERICAL INDEX OF PARTS

PART NO	PAGE	REF NO.	PART NO	PAGE	REF NO.
SM9061203SE	18	24	SS8660610TP	6	24
SS2110920TP	2	36	SS8660610TP	14	62
SS4080620TP	12	34	SS8660810TP	8	22
SS4090615SP	6	31	SS8660810TP	10	10
SS4110515SP	12	37	SS8681650TP	6	11
SS4110515SP	20	15	TA0850604R0	2	5
SS4110915TP	8	33	TA0850604R0	8	1
SS4120615SP	2	20	TA1250406R0	2	39
SS4120615SP	16	6	TA1250705R0	2	6
SS4120915SP	2	40	TA2000502R0	2	10
SS4120915SP	8	28	TA2101002R0	2	11
SS4121415SP	20	9	WP0450826SC	20	31
SS4150915SP	16	4	WP0480856SP	14	57
SS6060210SP	2	44	WP0501016SD	20	10
SS6080320SP	24	17	WP0531001SC	22	22
SS6080410SP	2	3	WP1612616SE	22	15
SS6090620TP	12	58	WS0510002KN	22	21
SS6090620TP	14	58			
SS6090670TP	8	5			
SS6090670TP	12	3			
SS6090910SP	10	11			
SS6110420TP	8	30			
SS6110610TP	2	38			
SS6111010TP	16	12			
SS6121610SP	12	44			
SS6121860SP	12	11			
SS6151220SP	14	52			
SS6661110SP	6	17			
SS6700710SH	18	5			
SS7080510TP	8	9			
SS7081310SP	20	24			
SS7091110TP	10	8			
SS7110350SP	20	19			
SS7110720SP	2	14			
SS7110740TP	14	53			
SS7111120SP	14	65			
SS7120770SH	12	6			
SS7121410TP	14	56			
SS7121610SP	14	46			
SS8090670SP	2	32			
SS8110410TP	8	37			
SS8110510SP	20	25			
SS8150710TP	2	33			
SS8151150TP	6	1			
SS8151550SP	6	22			