

MODEL : DU-1181N (Machine number : 8D7EJ01536~)

List No : 1563-01

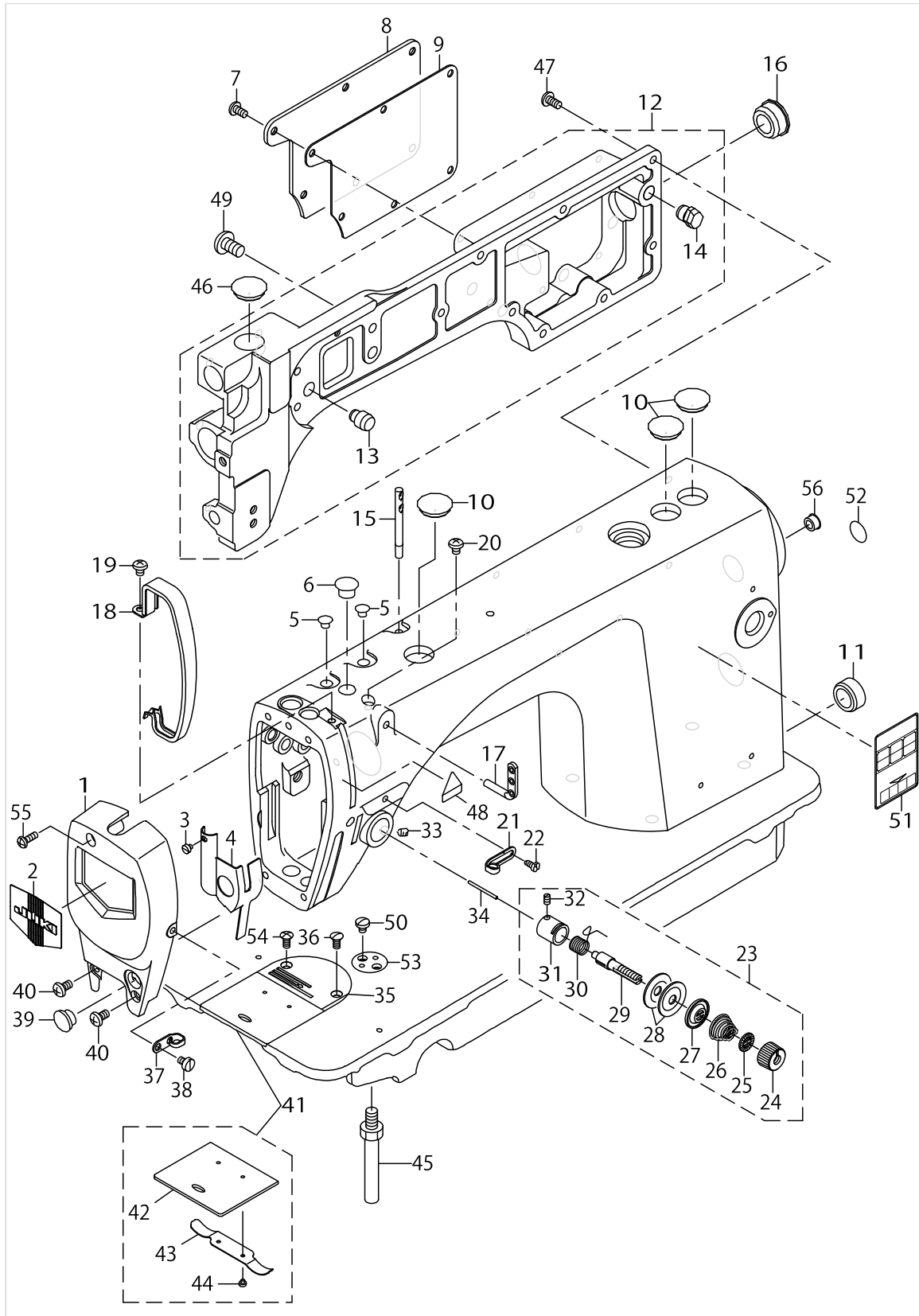
PARTS LIST

Published:05/12/2017

CONTENTS

MACHINE FRAME & MISCELLANEOUS COVER COMPONENTS	1
MAIN SHAFT & THREAD TAKE-UP LEVER COMPONENTS	5
NEEDLE BAR, UPRIGHT SHAFT & HOOK DRIVING SHAFT COMPONENTS	7
HAND LIFTER COMPONENTS	9
FEED MECHANISM COMPONENTS.....	11
UPPER FEED MECHANISM COMPONENTS	15
OIL LUBRICATION COMPONENTS	19
OIL RESERVOIR COMPONENTS	23
BELT COVER & BOBBIN COMPONENTS.....	25
THREAD STAND COMPONENTS.....	27
HOW TO MAKE USE OF THIS PARTS LIST	29

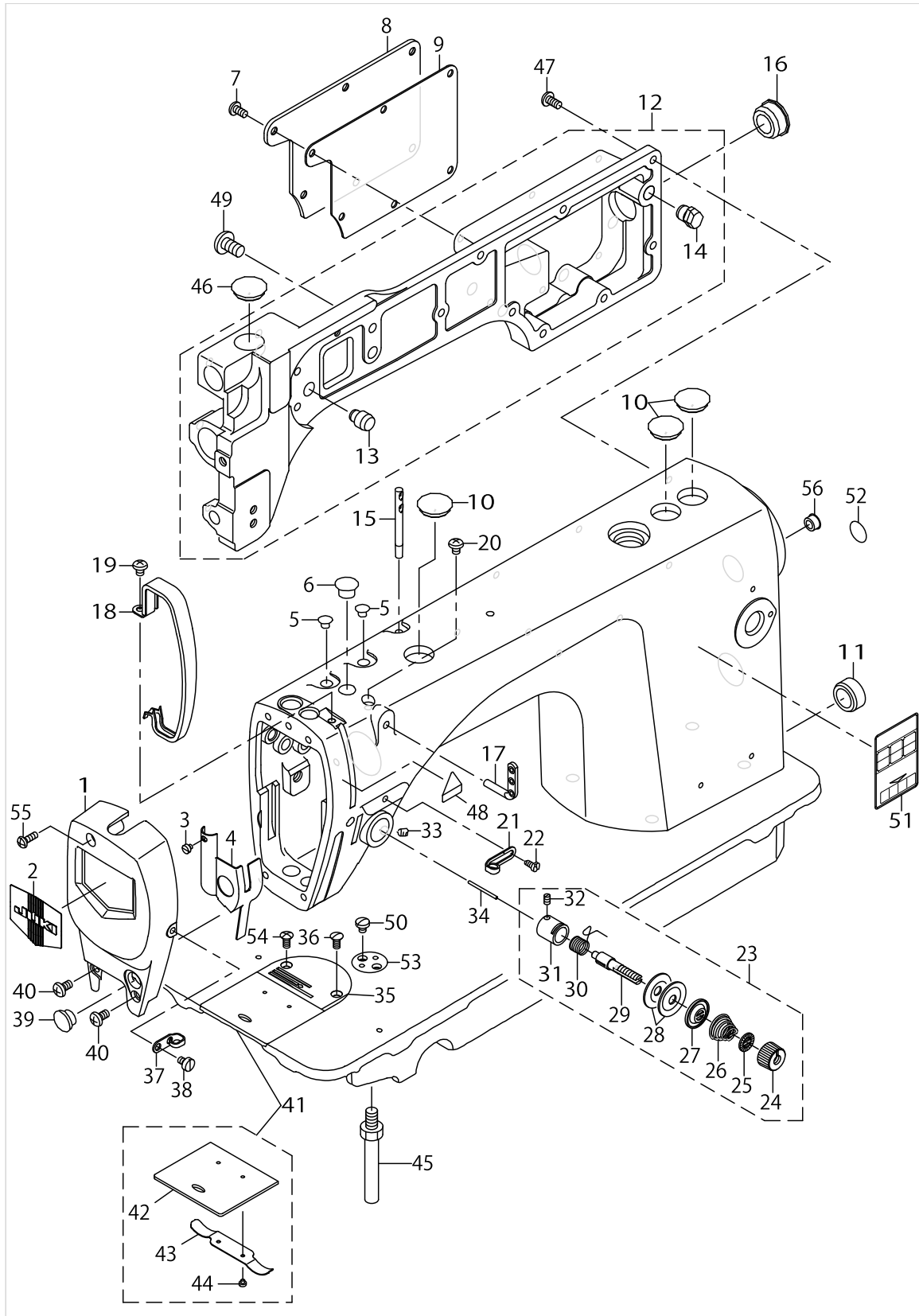
MACHINE FRAME & MISCELLANEOUS COVER COMPONENTS



MACHINE FRAME & MISCELLANEOUS COVER COMPONENTS

No.	Supply Code	Parts No.	Replacement	Parts name	Remarks	Choice	Step	Level	Cons	Qty	Rep. QTY
1		40022646		FACE PLATE						1	
2		22902506		FACE PLATE						1	
3		SS6080320SP		SCREW 1/8-44 L= 2.5						1	
4		40021790		FACE PLATE OIL SHIELD ASM.						1	
5		TA0850604R0		RUBBER PLUG						2	
6		TA1250705R0		RUBBER PLUG						1	
7		SS4120915SP		SCREW 3/16-28 L=9						6	
8		40022647		WINDOW PLATE						1	
9		40021567		GASKET						1	
10		TA2050406R0		RUBBER PLUG						3	
11		TA2101002R0		RUBBER PLUG						1	
12		40021907		UPPER FEED BASE COMPL.						1	
13		40021592		PIN(A)				*		1	
14		40021593		PIN(B)				*		1	
15		22958300		NEEDLE THREAD GUIDE PIN						1	
16		TA2351004R0		RUBBER PLUG						1	
17		40023295		THREE HOLE THREAD EYELET						1	
18		11415205		THREAD TAKE-UP LEVER COVER(JE)						1	
19		SS4120615SP		SCREW 3/16-28 L=6						1	
20		SS4120615SP		SCREW 3/16-28 L=6						1	
21		23626104		ARMTHREADGUIDEA						1	
22	R	11001500	22921001	SCREW						1	1.00
23		40085722		THREAD_TENSION_ASM.						1	
24		22921308		THREAD TENSION NUT				*		1	
25		22921407		ROTATION STOPPER				*		1	
26		40085903		SPRING				*		1	
27		22921803		DISK STOPPER				*		1	
28		22921506		THREAD TENSION DISK				*		2	
29		22921209		THREAD TENSION POST				*		1	
30		22921605		THREAD TAKE-UP SPRING				*		1	
31		22945307		THREAD TENSION POST BASE				*		1	
32		SS8090670SP		SCREW 9/64-40 L=5.5				*		1	
33		SS8150710TP		SCREW 15/64-28 L=7						1	
34		22920904		PIN						1	
35		40021615		THROAT PLATE						1	
36		SS2110920TP		SCREW 11/64-40 L=8.5						1	
37		22920607		ARMTHREADGUIDEB						1	
38		SS6110610TP		SCREW 11/64-40 L=6						1	
39		TA1250406R0		RUBBER PLUG D=12.5 L=4						1	
40		SS4121015SP		SCREW 3/16-28 L=10						2	
41		22901250		SLIDE PLATE ASM.						1	
42	R	22901201	22901250	SLIDE PLATE				*		1	1.00
43		22901300		SLIDE PLATE SPRING				*		1	
44		SS6060210SP		SCREW 3/32-56 L=1.9				*		2	
45		22901003		BED SCREW STUD						4	
46		TA2050406R0		RUBBER PLUG						1	

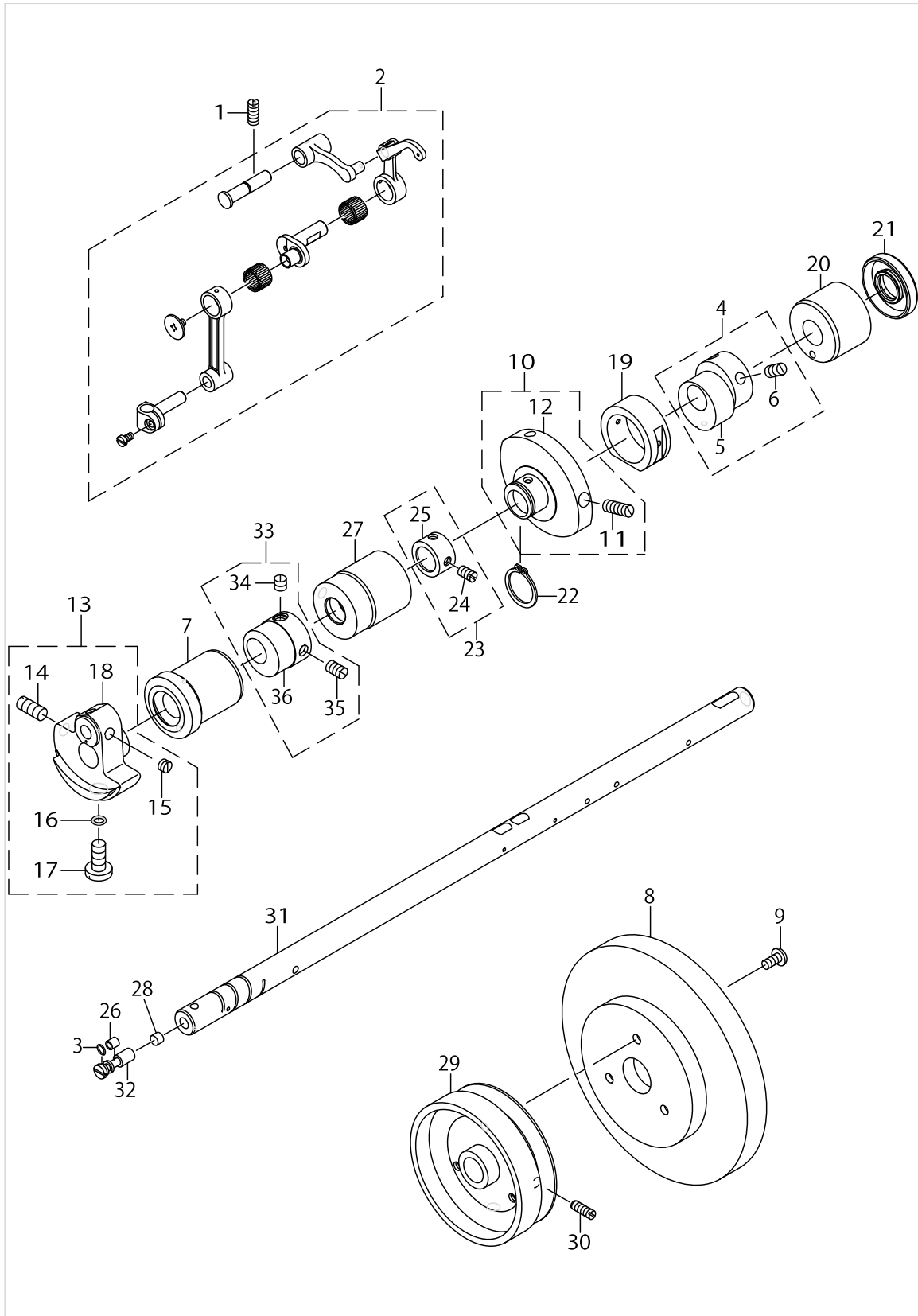
MACHINE FRAME & MISCELLANEOUS COVER COMPONENTS



MACHINE FRAME & MISCELLANEOUS COVER COMPONENTS

No.	Supply Code	Parts No.	Replacement	Parts name	Remarks	Choice	Step	Level	Cons	Qty	Rep. QTY
47		SS4121015SP		SCREW 3/16-28 L=10						10	
48		CM300200001		ATTENTION SEAL 16						1	
49		SS4701415SD		SCREW						1	
50		SS7110540SP		SCREW 11/64-40 L=5						2	
51		CM301200001		SAFETY LABEL_S						1	
52		22901805		GROUND MARK						1	
53		22902605		RULER STOP SEAT						1	
54		SS2110915SP		SCREW 11/64-40 L=8.5						1	
55		SS4112215SP		SCREW11/64-40L=22						1	
56		TA0950806R0		RUBBER PLUG						1	

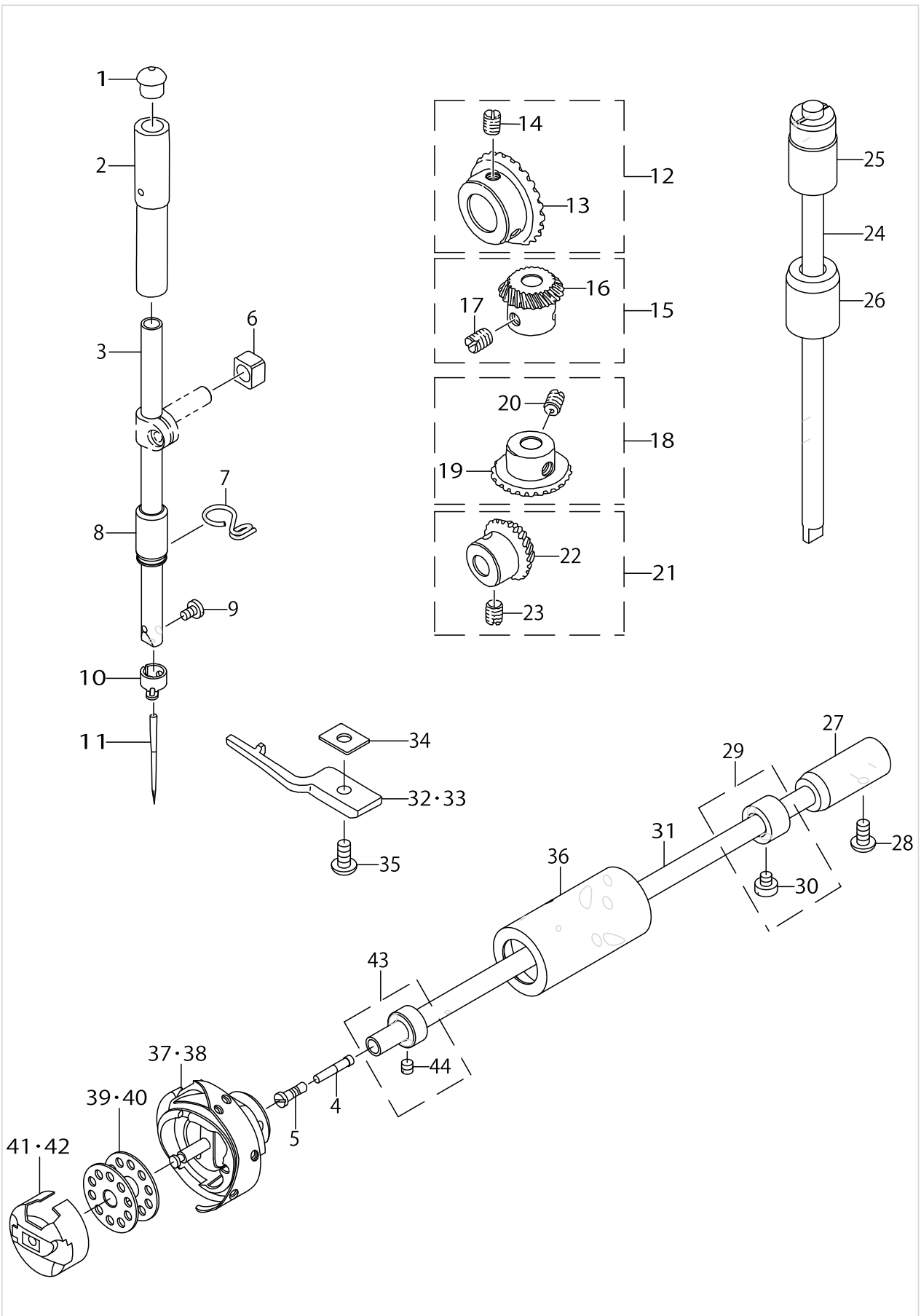
MAIN SHAFT & THREAD TAKE-UP LEVER COMPONENTS



MAIN SHAFT & THREAD TAKE-UP LEVER COMPONENTS

No.	Supply Code	Parts No.	Replacement	Parts name	Remarks	Choice	Step	Level	Cons	Qty	Rep. QTY
1		SS8151150TP		SCREW 15/64-28 L=10.5						1	
2		40021775		THREAD TAKE-UP LEVER ASM.						1	
3		RO029180100		RUBBER RING						1	
4		40021773		ECCENTRIC FEED CAM ASM.						1	
5		40021574		ECCENTRIC FEED CAM				*		1	
6		SS8660810TP		SCREW 1/4-40 L=8				*		2	
7		22903207		MAIN SHAFT BUSHING FRONT						1	
8		40026457		HAND WHEEL B						1	
9		SM4051055SP		SCREW						3	
10		40021774		VERTICAL FEED CAM ASM.						1	
11		SS8681650TP		SCREW 9/32-28 L=16				*		2	
12	R	40021575	40021774	VERTICAL FEED CAM				*		1	1.00
13		40021770		COUNTER WEIGHT ASM.						1	
14		SS8681650TP		SCREW 9/32-28 L=16				*		1	
15		SS8660410SP		SCREW 1/4-40 L=4.2				*		2	
16		RO044240100		RUBBER RING				*		1	
17		SS7681650TP		SCREW 9/32-28 L=16				*		1	
18	R	40021635	40021770	COUNTER WEIGHT				*		1	1.00
19		40024118		PITMAN SLEEVE						1	
20		40048594		MAIN SHAFT BUSHING						1	
21	R	11002508	40105231	OIL SEAL						1	1.00
22		RC1850001KP		SNAP RING 18.5						1	
23		22904155		MAIN SHAFT THRU-ST COLLAR ASM.						1	
24		SS8660610TP		SCREW 1/4-40 L=6				*		2	
25	R	22904106	22904155	MAIN SHAFT THRUST COLLAR				*		1	1.00
26		B1215552000		OIL ADJUSTING COLLAR						1	
27		22903306		BUSHING INTERMEDIATE						1	
28		B1226490000		ROLLER FELT						1	
29	R	40026454	40026456	HAND WHEEL A						1	1.00
30		SS8151550SP		SCREW 15/64-28 L=15						2	
31		22903009		MAIN SHAFT						1	
32		22903900		ADJUSTING PIN						1	
33		40102602		FEED_DRIVE_ECCENTRIC_CAM_ASM						1	
34		SS8660610TP		SCREW 1/4-40 L=6				*		1	
35		SS8661030SP		SCREW 1/4-40 L=10				*		1	
36		40101997		FEED_DRIVE_ECCENTRIC_CAM				*		1	

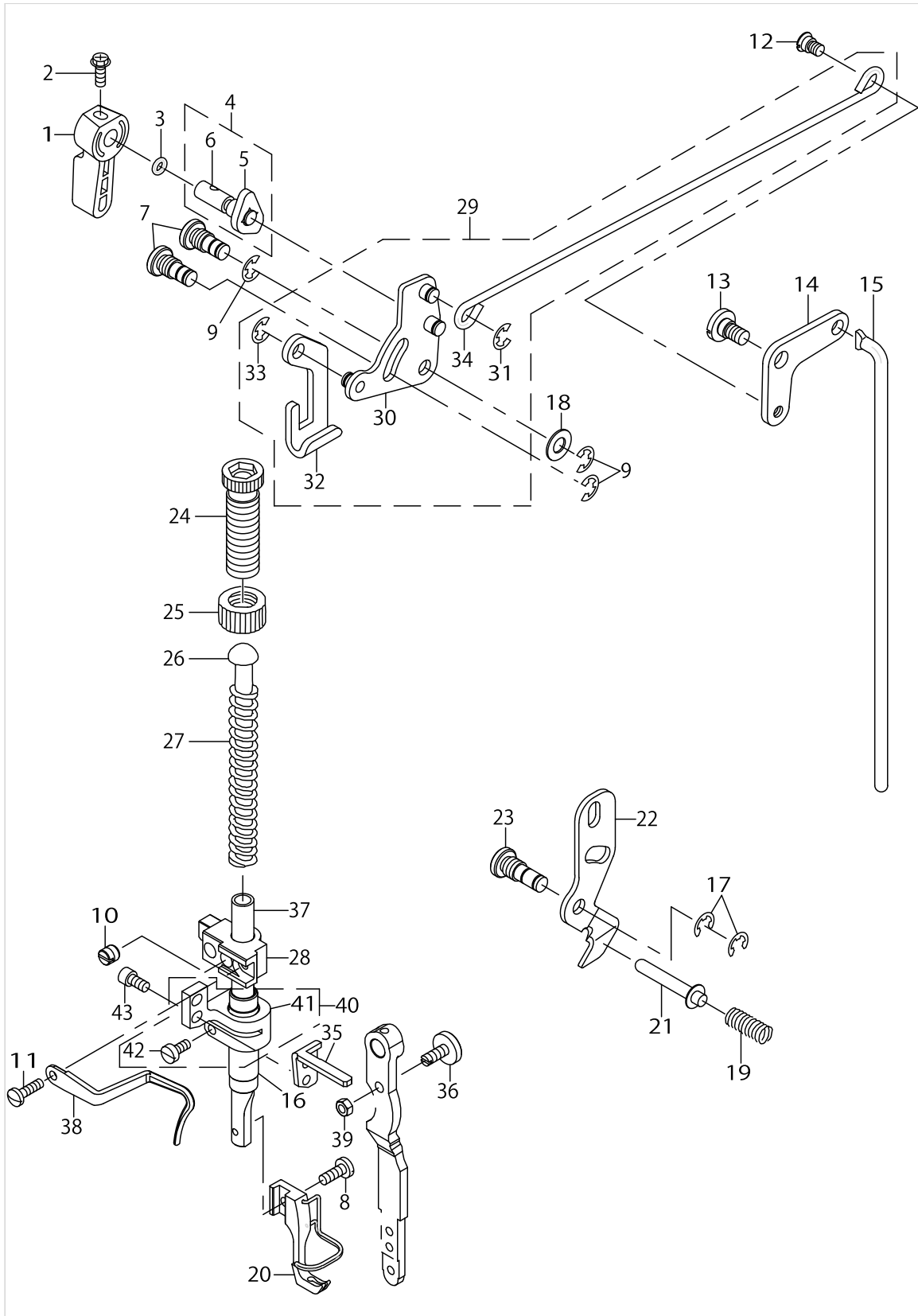
NEEDLE BAR, UPRIGHT SHAFT & HOOK DRIVING SHAFT COMPONENTS



NEEDLE BAR, UPRIGHT SHAFT & HOOK DRIVING SHAFT COMPONENTS

No.	Supply Code	Parts No.	Replacement	Parts name	Remarks	Choice	Step	Level	Cons	Qty	Rep. QTY
1		22901409		NEEDLE BAR UPPER BUSH CAP						1	
2	R	40099753	22906101	NEEDLE BAR BUSHING						1	1.00
3		40023030		NEEDLE BAR						1	
4		11404704		OIL WICK						1	
5		22916506		SET SCREW						1	
6		40090058		SLIDE BLOCK						1	
7		40023223		NEEDLE BAR THREAD GUIDE						1	
8		40021604		NEEDLE BAR BUSHING LOWER						1	
9		SS7080510TP		SCREW 1/8-44 L=4.5						1	
10		40024124		NEEDLE BAR THREAD GUIDE						1	
11		MDP170B2100		NEEDLE DPX17 #21						1	
12		40090002		UPPER LARGE BEVEL GEAR ASM.						1	
13		40090006		UPPER LARGE BEVEL GEAR				*		1	
14		SS8660810TP		SCREW 1/4-40 L=8				*		2	
15		40090003		UPPER SMALL BEVEL GEAR ASM.						1	
16		40090007		UPPER SMALL BEVEL GEAR				*		1	
17		SS8660810TP		SCREW 1/4-40 L=8				*		2	
18		40090004		LOWER LARGE BEVEL GEAR ASM.						1	
19		40090008		LOWER LARGE BEVEL GEAR				*		1	
20		SS8660810TP		SCREW 1/4-40 L=8				*		2	
21		40090005		LOWER SMALL BEVEL GEAR ASM.						1	
22		40090009		LOWER SMALL BEVEL GEAR				*		1	
23		SS8660810TP		SCREW 1/4-40 L=8				*		2	
24		40021612		UPRIGHT SHAFT						1	
25		22905103		UPRIGHT SHAFT BUSHING UPPER						1	
26		22905202		UPRIGHT SHAFT BUSHING LOWER						1	
27		22916308		HOOK DRIVING SH- AFT BUSH REAR						1	
28		SS4120915SP		SCREW 3/16-28 L=9						1	
29		22917157		THRUST COLLAR ASM. REAR						1	
30		SS6110420TP		SCREW 11/64-40 L=4.8				*		2	
31		11403300		HOOK DRIVING SHAFT						1	
32		40102871		POSITIONINGFINGER						1	
33		11091709		POSITIONINGFINGER	FOR DU-1181N-**A					1	
34		40098949		SPACER	FOR DU-1181N-**A					1	
35		SS4110915TP		SCREW 11/64-40 L=9						1	
36		40021613		HOOK DRIVING SH- AFT BUSH FRON						1	
37		B1830141HA0		HOOK ASM.	FOR DU-1181N-**A					1	
38		40098685		HOOK ASM.						1	
39		40021610		BOBBIN						1	
40		B9117201000		BOBBIN	FOR DU-1181N-**A					1	
41		40098684		BOBBIN CASE ASM.						1	
42		40098959		BOBBIN CASE ASM.	FOR DU-1181N-**A					1	
43		22917058		THRUST COLLAR ASM. FRONT						1	
44		SS8110410TP		SCREW 11/64-40 L= 3.5				*		2	

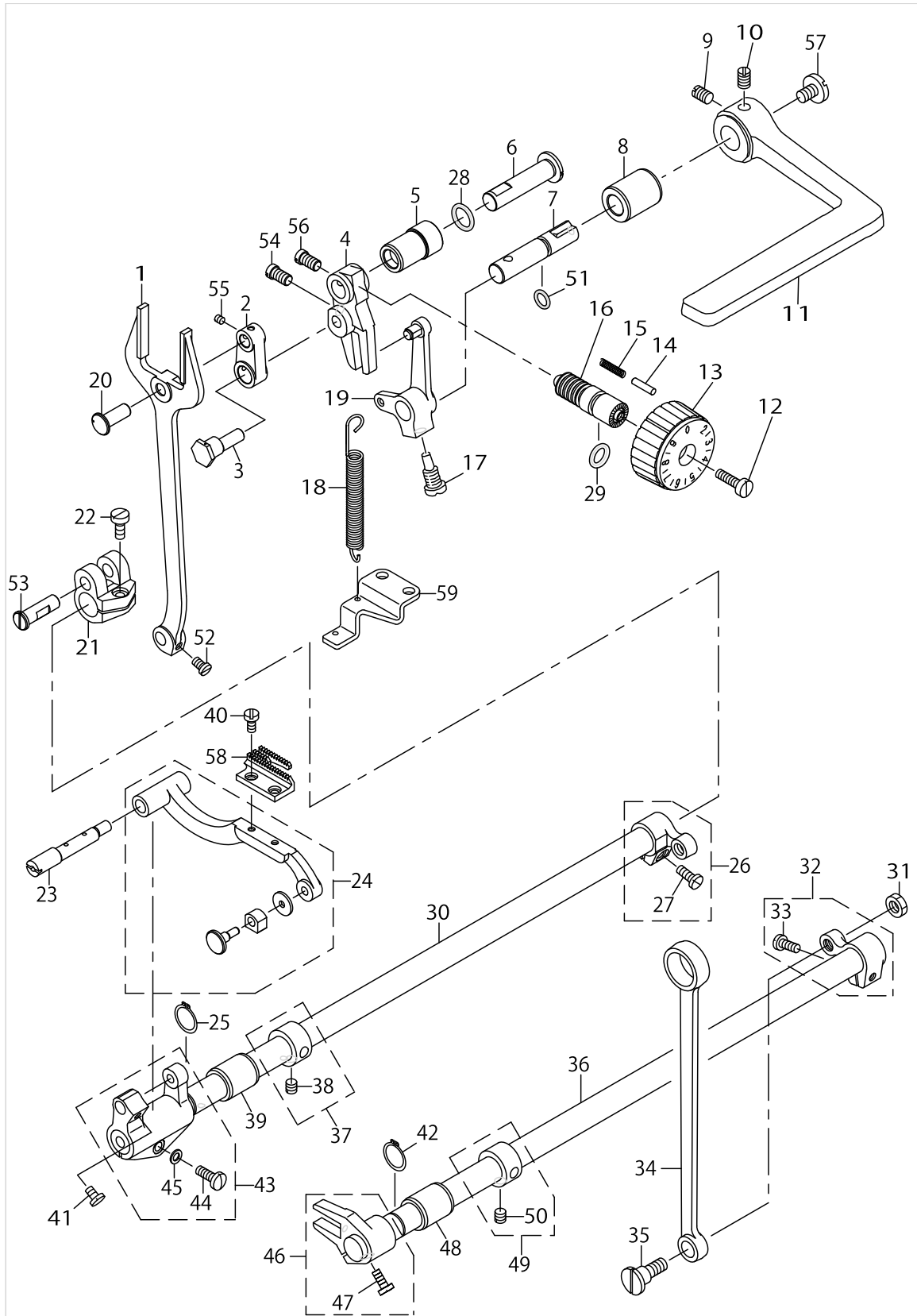
HAND LIFTER COMPONENTS



HAND LIFTER COMPONENTS

No.	Supply Code	Parts No.	Replacement	Parts name	Remarks	Choice	Step	Level	Cons	Qty	Rep. QTY
1		22907802		HAND LIFTER						1	
2		B1521555000		SCREW						1	
3		RO037180100		RUBBER RING						1	
4		40021570		HAND LIFTER CAM ASM.						1	
5		22908503		HAND LIFTER CAM				*		1	
6		22908602		HAND LIFTER CAM SHAFT				*		1	
7		22908701		LINK SHAFT						2	
8		SS7091110TP		SCREW 9/64-40 L=10.5						1	
9		RE0500000K0		E-RING						3	
10		SS8660610TP		SCREW 1/4-40 L=6						1	
11		SS6090910SP		SCREW 9/64-40 L=9						2	
12		22908909		HINGE SCREW						1	
13		SD0720331SP		HINGE SCREW D= 7.24 H= 3.3						1	
14		22908800		KNEE LIFTER LINK						1	
15		22909006		KNEE LIFTER CONNECTING ROD						1	
16		40014007		PRESSER BAR BUSHING LOWER						1	
17		RE0500000K0		E-RING						2	
18		WP0650876SD		WASHER 6.5X13X0.8						1	
19		22920409		THREAD RELEASE PIN SPRING						1	
20		40021791		PRESSER FOOT ASM.						1	
21		22920300		THREAD RELEASE SUPPORTING PIN						1	
22		40064560		THREAD_RELEASE_PLATE						1	
23		22920102		TENSION RELEASE ASHFT						1	
24		40101971		PRESSER_ADJUSTING_SCREW						1	
25	R	22907604	22907554	PRESSER SPRING REGULATOR NUT						1	1.00
26		22907703		PRESSER GUIDE BAR						1	
27		40101970		PRESSER_SPRING						1	
28		40102978		PRESSER_BAR_GUIDE_BRACKET						1	
29		40064558		KNEE_LIFTING_CROSS_ROD_ASM.						1	
30	R	40064561	40064558	LIFTING_LINK_ASM				*		1	1.00
31		RE0500000K0		E-RING				*		1	
32	R	40023246	40064558	LIFTING PLATE				*		1	1.00
33		RE0500000K0		E-RING				*		1	
34		22908305		KNEE LIFTER SIDE ROD				*		1	
35		40109071		SUPPORT_PLATE						1	
36		40109160		MS1190MF/V045R-AA						1	
37		40017805		PRESSER BAR						1	
38		40101961		THREAD_GUIDE						1	
39		NS6110310SP		NUT 11/64-40						1	
40		40101958		SUPPORT_BASE_ASM.						1	
41		40101957		SUPPORT_BASE				*		1	
42		SS7091410SP		SCREW 9/64-40 L=13.5				*		1	
43		SM6040802TP		SCREW M4X0.7 L=8						2	

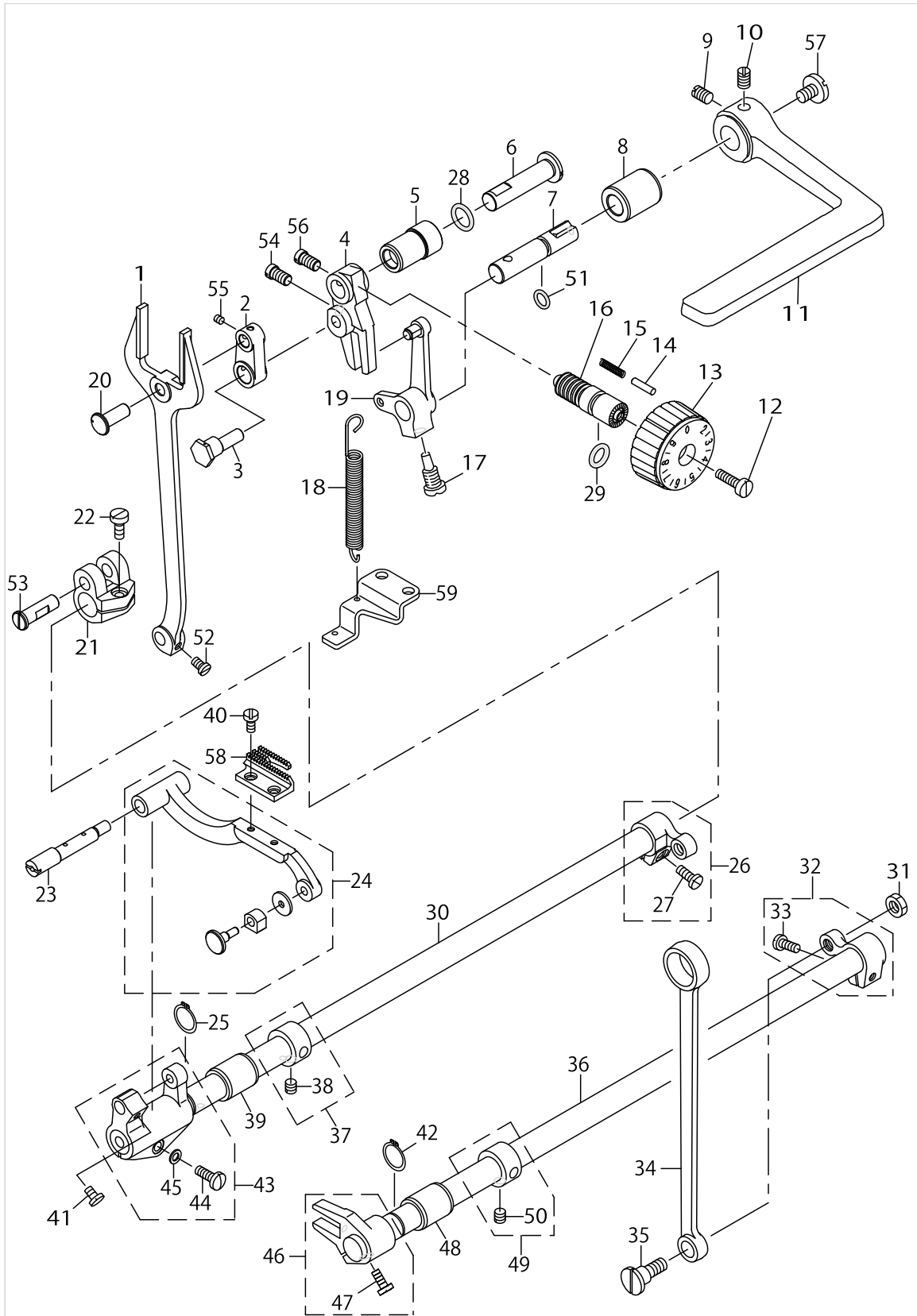
FEED MECHANISM COMPONENTS



FEED MECHANISM COMPONENTS

No.	Supply Code	Parts No.	Replacement	Parts name	Remarks	Choice	Step	Level	Cons	Qty	Rep. QTY
1		40024130		PITMAN ROD						1	
2		40026195		FEED REGULATOR CONNECTING LINK						1	
3		40024119		WALKING FOOT PIN						1	
4		40024117		FEED REGULATOR						1	
5		40101955		FEED_REGULATOR_BUSHING						1	
6		40101956		FEED_REGULATOR_SHAFT						1	
7		40038991		FEED REVERSE SHAFT						1	
8		40038958		FEED REVERSE BUSHING						1	
9		SM8061050TP		SCREW						1	
10		SM8061010TP		SCREW						1	
11	R	22912703	22912752	FEED LEVER						1	1.00
12		SS6121860SP		SCREW 3/16-28 L=18						1	
13		40021571		FEED DIAL						1	
14		22912000		FEED REGULATOR PIN						1	
15		22912109		FEED REGULATOR PIN SPRING						1	
16		22911804		FEED REGULATOR SCREW						1	
17		22912505		FEED REVERSE ARM SCREW						1	
18		40101947		LEVER_RETURN_SPRING						1	
19		22966758		LEVER ARM ASM.						1	
20		40026194		HINGE PIN						1	
21	D	40024308		FEED ROCK SHAFT CRANK						1	
22		SS6121210SP		SCREW 3/16-28 L=12						1	
23		22940803		FEED BAR SHAFT						1	
24		40101951		FEED_BASE_ASM						1	
25		RC0150001KP		C-RING 15(13.8)						1	
26		40099579		FEED ROCKER ARM ASM.						1	
27		SS6121210SP		SCREW 3/16-28 L=12				*		1	
28		RO118240100		O-RING						1	
29		RO092270200		RUBBER RING						1	
30		22912901		FEED ROCKERSHAFT						1	
31		NS6680410SP		NUT 9/32-28						1	
32		40099579		FEED ROCKER ARM ASM.						1	
33		SS6121210SP		SCREW 3/16-28 L=12				*		1	
34		22915003		CONNECTING ROD						1	
35		SD1000801SH		HINGE SCREW D=10 H=8						1	
36		22915201		FEED DRIVING SHAFT						1	
37		22904155		MAIN SHAFT THRU-ST COLLAR ASM.						1	
38		SS8660610TP		SCREW 1/4-40 L=6				*		2	
39		22913008		FEED ROCKER SHAFT BUSHING						1	
40		SS4080620TP		SCREW 1/8-44 L=6						2	
41		SS7110740TP		SCREW 11/64-40 L=7						1	
42		RC0150001KP		C-RING 15(13.8)						1	
43		22940654		FEED ROCKER ASM.						1	
44		SS7121410TP		SCREW 3/16-28 L=14				*		1	
45		WP0480856SP		WASHER 4.8X8.4X0.8				*		1	

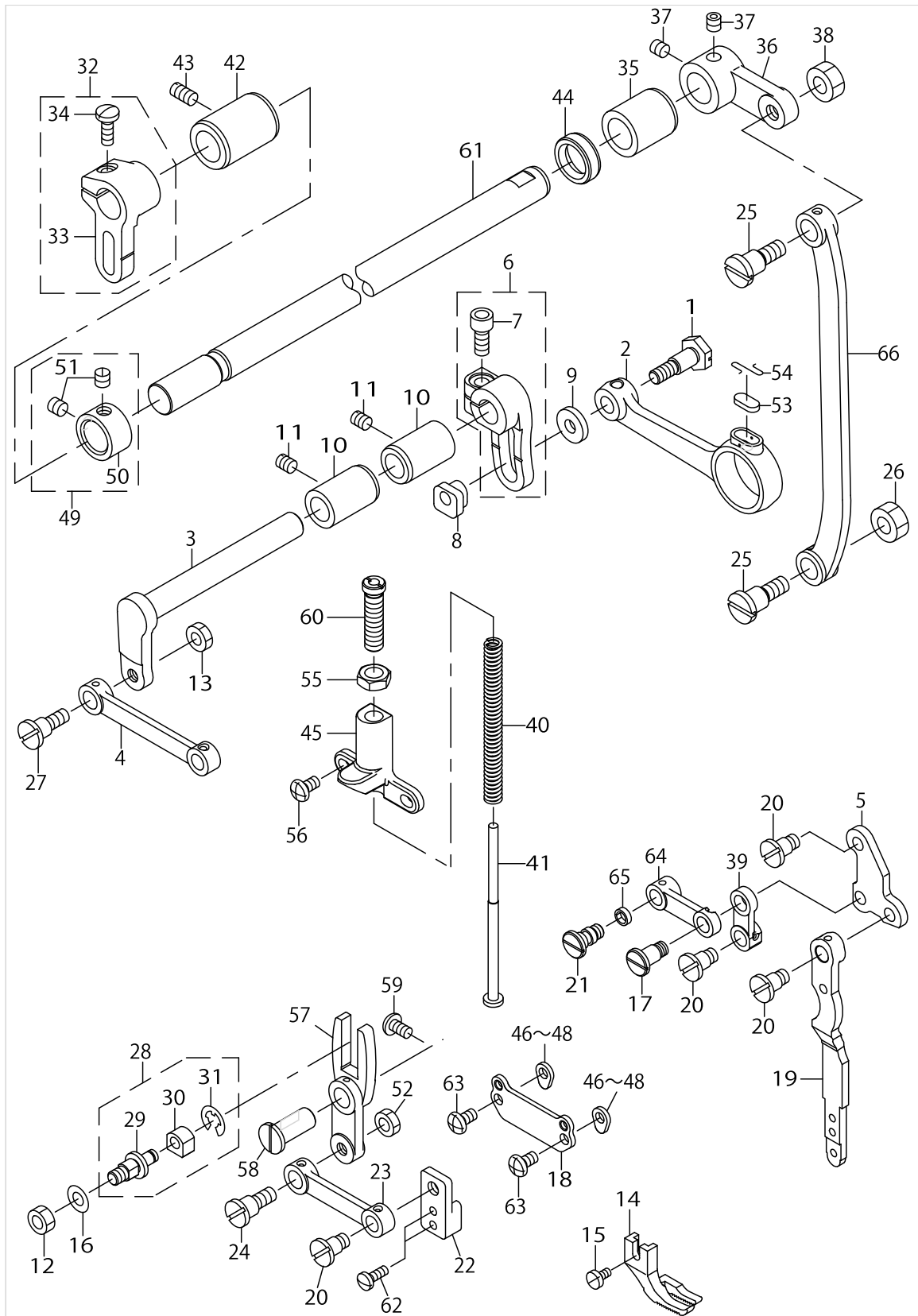
FEED MECHANISM COMPONENTS



FEED MECHANISM COMPONENTS

No.	Supply Code	Parts No.	Replacement	Parts name	Remarks	Choice	Step	Level	Cons	Qty	Rep. QTY
46		22915359		DRIVING SHAFT CRANK ASM.						1	
47		SS7111120TP		SCREW				*		1	
48		22913008		FEED ROCKER SHAFT BUSHING						1	
49		22904155		MAIN SHAFT THRU-ST COLLAR ASM.						1	
50		SS8660610TP		SCREW 1/4-40 L=6				*		2	
51		RO078190100		RUBBER RING						1	
52		SS7120910TP		SCREW 3/16-28 L=9						1	
53		40026520		FEED ROCKER SHAFT CRANK PIN						1	
54		22972806		FEED ECCENTRIC CAM SETSCREW						1	
55		SS6110710TP		SCREW 11/64-40 L= 6.5						1	
56		22972806		FEED ECCENTRIC CAM SETSCREW						1	
57		SS7620750SP		SCREW 3/16-32 L=6.5						1	
58		40101949		FEED_DOG						1	
59		40101948		FEED_SPRING_HOOK						1	

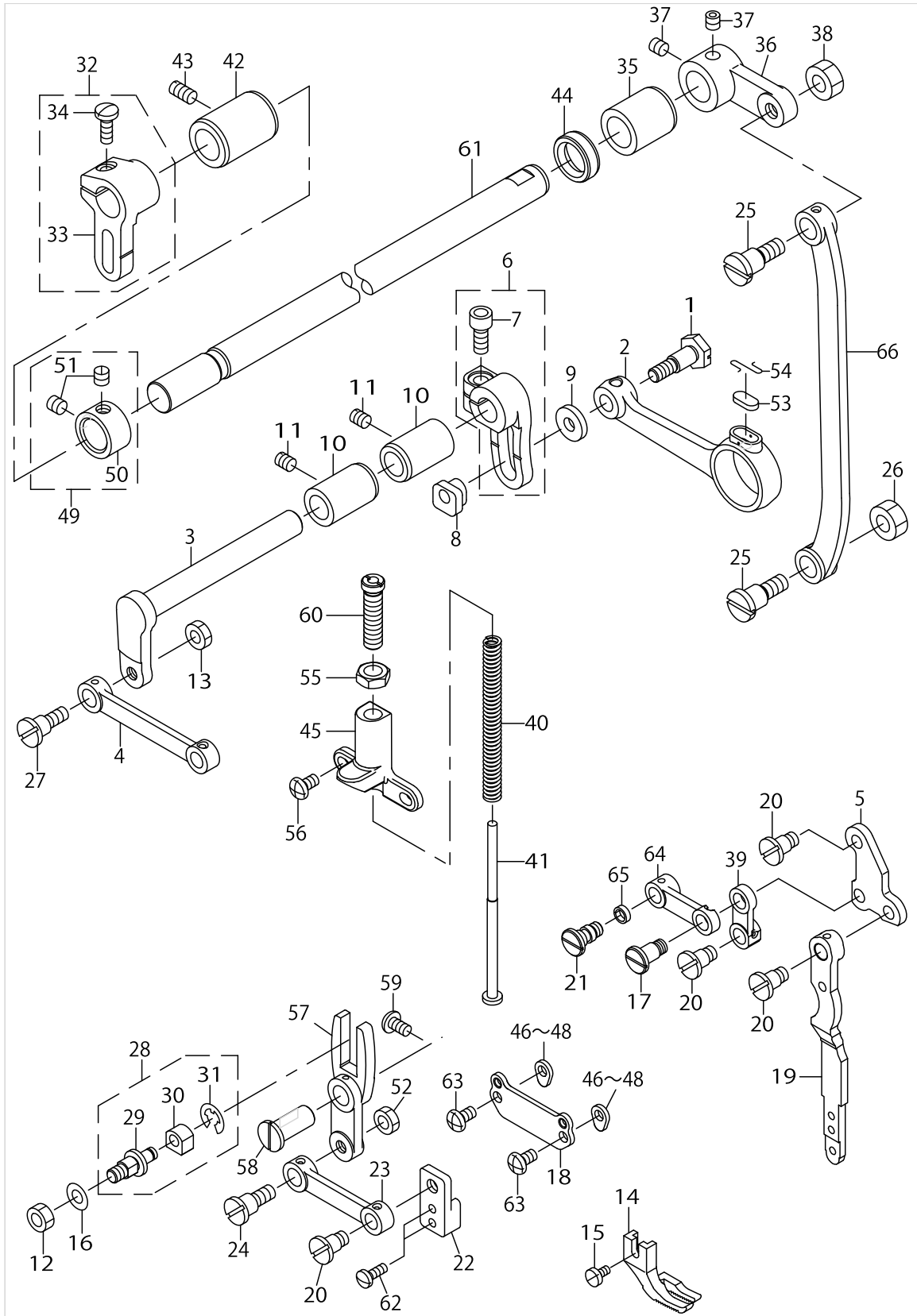
UPPER FEED MECHANISM COMPONENTS



UPPER FEED MECHANISM COMPONENTS

No.	Supply Code	Parts No.	Replacement	Parts name	Remarks	Choice	Step	Level	Cons	Qty	Rep. QTY
1		40021579		HINGE SCREW						1	
2		40021576		CRANK CONNECTING ROD						1	
3		40022003		UPPER FEED DRIVING SHAFT						1	
4		40101953		CONNECTING_LINK						1	
5		40101954		L-SHAPED_LINK						1	
6		40102601		UPPER_FEED_SPRING_ROD_ASM.						1	
7		SS6151412TP		SCREW15/64-28L=14				*		1	
8		B3009141H0A		NUT						1	
9		B3010141H00		WASHER						1	
10		40021625		BUSHING						2	
11		SS8150710TP		SCREW 15/64-28 L=7						2	
12		NS6160520SP		NUT 1/4-24						1	
13		NS6150310SP		NUT 15/64-28						1	
14		40022772		PRESSURE FOOT						1	
15		SS7090610SP		SCREW 9/64-40 L=6						1	
16		WP0650876SD		WASHER 6.5X13X0.8						1	
17		B3016141H00		HINGE SCREW B						1	
18		40021581		WALKING BAR DRIVING LINK						1	
19		40101952		L-SHAPED_ROD						1	
20		B3015141H00		HINGE SCREW						4	
21		40027512		HINGE SCREW						1	
22		40021582		CONNECTING LINK HOLDER						1	
23		40021577		CONNECTING LINK						1	
24		SD0850751SP		HINGE SCREW D= 8.50 H= 7.5						1	
25		SD1020961SP		HINGE SCREW D=10.2 H=9.6						2	
26		NS6680320SP		NUT 9/32-28						1	
27		SD0850751SP		HINGE SCREW D= 8.50 H= 7.5						1	
28		40021787		SLIDE BLOCK ASM.						1	
29		40021788		SLIDE BLOCK PIN				*		1	
30		22913602		NEEDLE BAR SLIDE BLOCK				*		1	
31		RE0400000K0		E-RING 4				*		1	
32		40102601		UPPER_FEED_SPRING_ROD_ASM.						1	
33		40101978		UPPER_FEED_SPRING_ROD				*		1	
34		SS7121410TP		SCREW 3/16-28 L=14				*		1	
35		40021938		BUSHING REAR						1	
36	R	40031287	40021784	DRIVING SHAFT ROD						1	1.00
37		SS8660612TP		SCREW 1/4-40 L=6						2	
38		NS6680410SP		NUT 9/32-28						1	
39		40021595		L-SHAPED LINK(B)						1	
40		40101972		SPRING						1	
41		40110729		SPRING_POLE						1	
42		40021585		BUSHING FRONT						1	
43		SS8151150TP		SCREW 15/64-28 L=10.5						1	
44		22888002		OIL SEAL						1	
45		40101974		SPRING_BAR						1	
46		40029415		WASHER C	SELECTIVE PARTS					2	

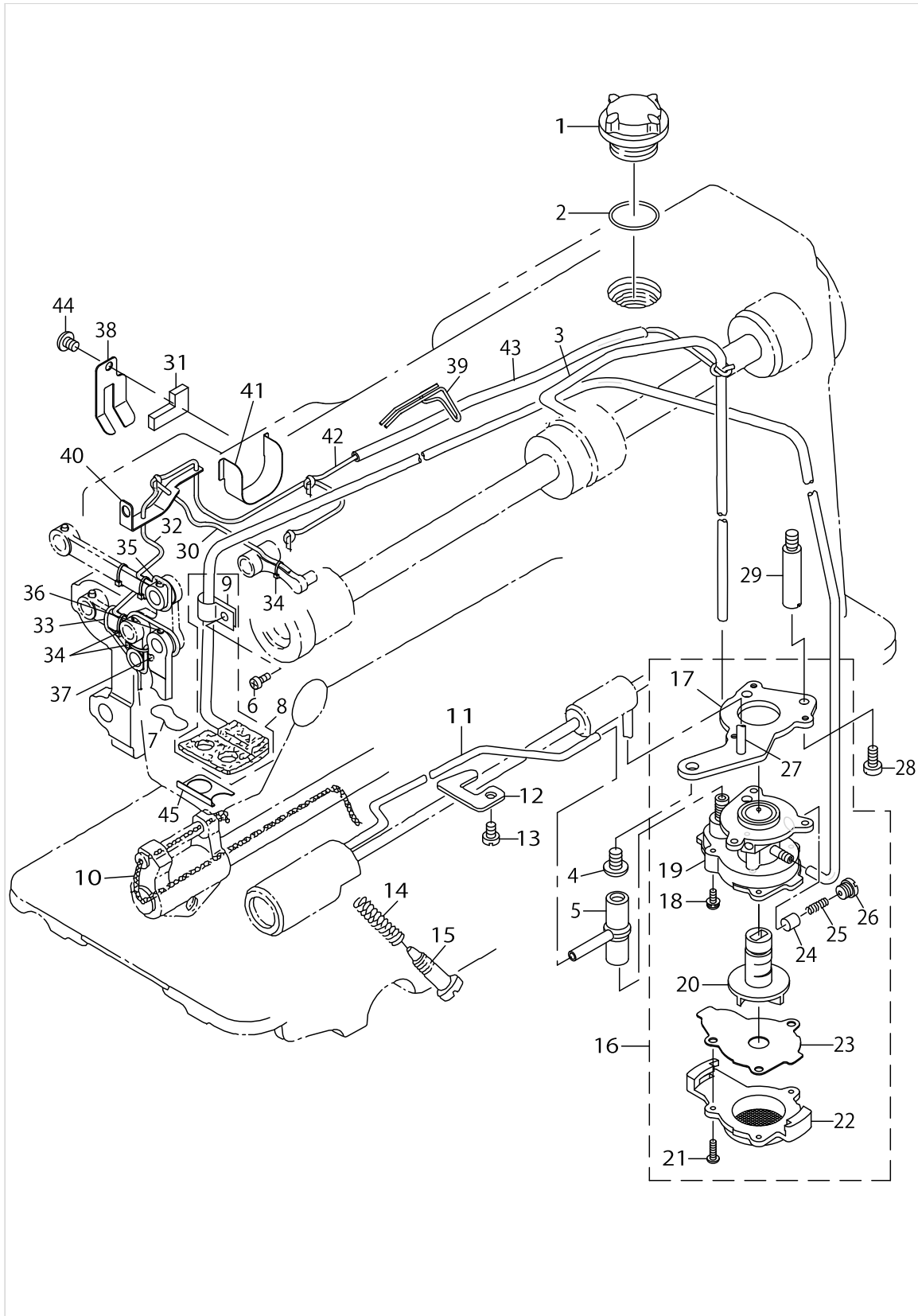
UPPER FEED MECHANISM COMPONENTS



UPPER FEED MECHANISM COMPONENTS

No.	Supply Code	Parts No.	Replacement	Parts name	Remarks	Choice	Step	Level	Cons	Qty	Rep. QTY
47		40029413		WASHER A	SELECTIVE PARTS					2	
48		40029414		WASHER B	SELECTIVE PARTS					2	
49		22904155		MAIN SHAFT THRU-ST COLLAR ASM.						1	
50	R	22904106	22904155	MAIN SHAFT THRUST COLLAR				*		1	1.00
51		SS8660610TP		SCREW 1/4-40 L=6				*		2	
52		NS6150310SP		NUT 15/64-28						1	
53		40025574		FELT						1	
54		B1213012000		FELT RETAINER						1	
55		40102008		NUT						1	
56		SS4120915SP		SCREW 3/16-28 L=9						2	
57		40021627		SLIDE FORK						1	
58		40021630		HINGE PIN						1	
59		SS4120915SP		SCREW 3/16-28 L=9						1	
60		40101973		ADJUSTING_THUMB_SCREW						1	
61		40021584		UPPER FEED DRIVING SHAFT						1	
62	R	SS7091110SP	SS7091110TP	SCREW 9/64-40 L=10.5						2	1.00
63		SS4120915SP		SCREW 3/16-28 L=9						2	
64		40021594		L-SHAPED LINK(A)						1	
65		40027810		FELT						.02	
66		40021587		DRIVING ROD						1	

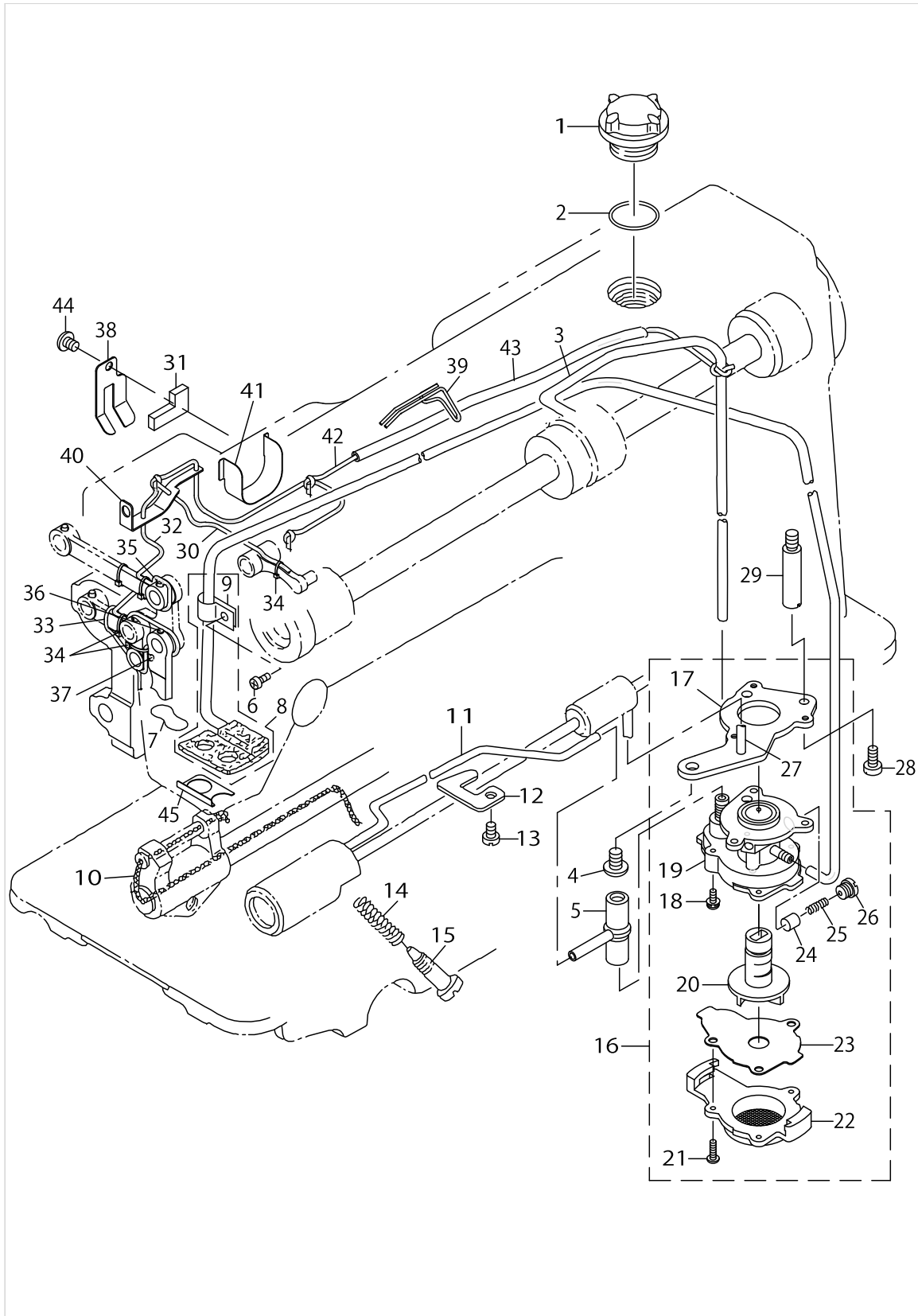
OIL LUBRICATION COMPONENTS



OIL LUBRICATION COMPONENTS

No.	Supply Code	Parts No.	Replacement	Parts name	Remarks	Choice	Step	Level	Cons	Qty	Rep. QTY
1		22924708		OIL SIGHT WINDOW						1	
2		RO195240100		RUBBER RING						1	
3		22924401		MAINSHAFTOILTUBE						1	
4		SS4150915SP		SCREW 15/64-28 L=9						1	
5		22924609		RUBBER JOINT						1	
6		SS4120615SP		SCREW 3/16-28 L=6						1	
7		22925101		OIL FELT PRESSER						1	
8		22924153		RETURN PIPE ASM.						1	
9		22924302		RETURN PIPE HOLDER				*		1	
10		CQ252000000		OIL WICK						.3	
11		22924500		HOOK OIL TUBE						1	
12		22924807		PIPE HOLDER LOWER						1	
13		SS4150915SP		SCREW 15/64-28 L=9						1	
14		22924906		OIL REGULATOR SCREW SPRING						1	
15		22925002		OIL REGULATOR SCREW						1	
16		11404555		LUBRICATING OIL PUMP ASM.						1	
17	R	22923312	11392057	PUMP BODY INSTALLING PLATE		A	DLD5430	*		1	1.00
17	R	22923312	11404555	PUMP BODY INSTALLING PLATE		B	DDL5600/- 8100e, DU1181	*		1	1.00
17	R	22923312	22923056	PUMP BODY INSTALLING PLATE		C	DDL8700/- 8300/8500- /900A, DM- N5420/5400	*		1	1.00
18		SL4030851SF		SCREW M3 L=8				*		3	
19	R	22923015	22923056	PUMP BODY				*		1	1.00
20		22923700		IMPELLER				*		1	
21		SE4301041SR		SCREW D=3 L=10				*		3	
22		22923205		PUMP BODY COVER				*		1	
23		22923809		PUMP BODY SUPPORT PLATE				*		1	
24		22923403		PLUNGER				*		1	
25		22923601		PLUNGER SPRING				*		1	
26		22923502		PLUNGER SCREW				*		1	
27	D	11404605		HOOK DRIVING SHAFT OIL TUBE				*		1	
28		SS6111010TP		SCREW 11/64-40 L=9.5						1	
29		22924005		PUMP BODY STRUT						1	
30		CQ202000000		OIL WICK						.1	
31		40102156		FELT						1	
32		CQ202000000		OIL WICK						.75	
33		CQ202000000		OIL WICK						.1	
34		EA9500B0000		CLIP CV-70S						5	
35		CQ3000000F0		OIL FELT						.04	
36		CQ3000000F0		OIL FELT						.04	
37		CQ3000000F0		OIL FELT						.04	
38		40025328		OIL SHIELD (C)						1	
39		40027938		HOLDER						1	
40		40030403		OIL WICK SUPPORT						1	
41		40030402		OIL SHIELD (D)						1	
42		CQ252000000		OIL WICK						.39	

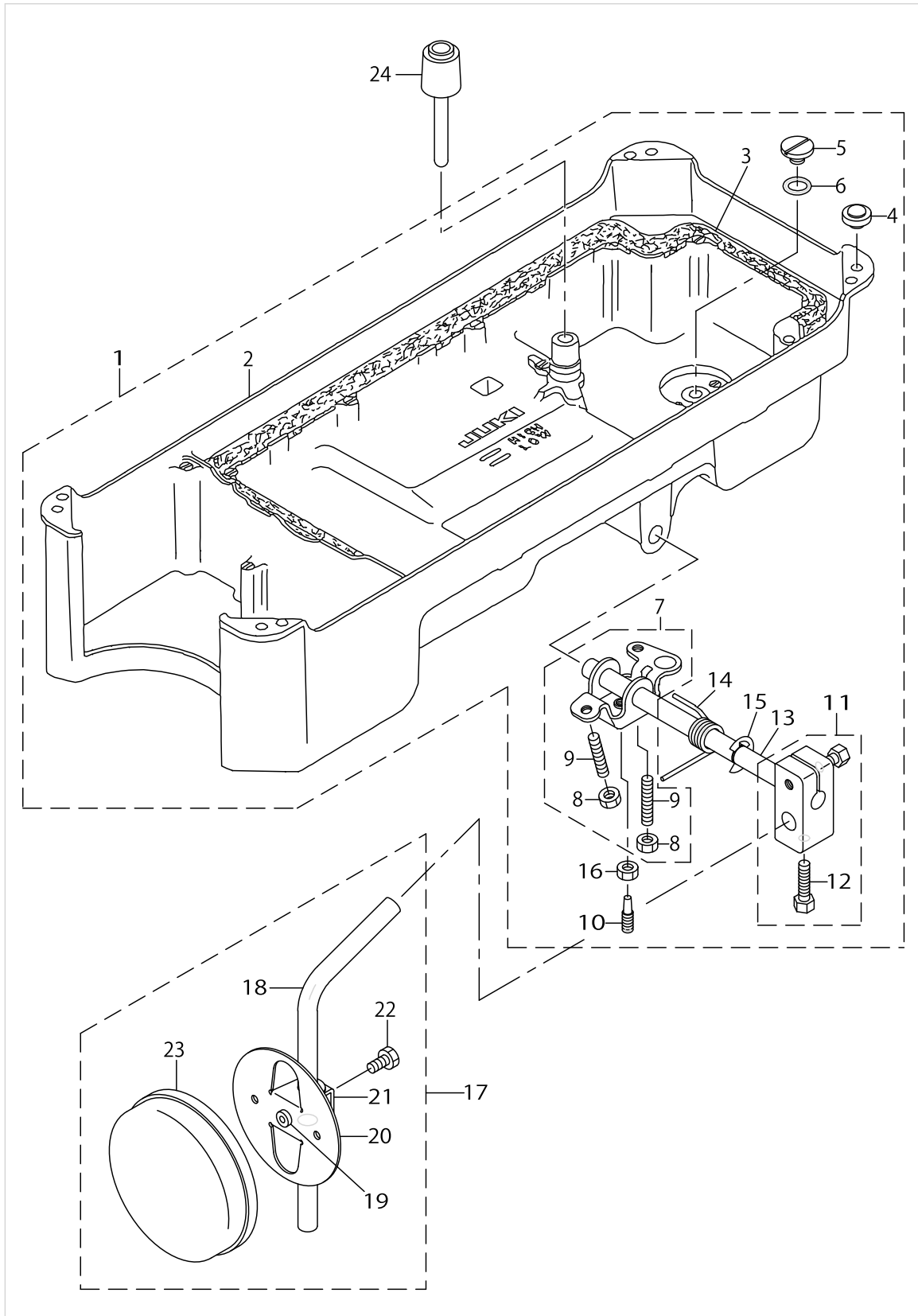
OIL LUBRICATION COMPONENTS



OIL LUBRICATION COMPONENTS

No.	Supply Code	Parts No.	Replacement	Parts name	Remarks	Choice	Step	Level	Cons	Qty	Rep. QTY
43		23630007		TUBE						.19	
44		SS4120615SP		SCREW 3/16-28 L=6						1	
45		40021999		FACE PLATE OIL SHIELD (B)						1	

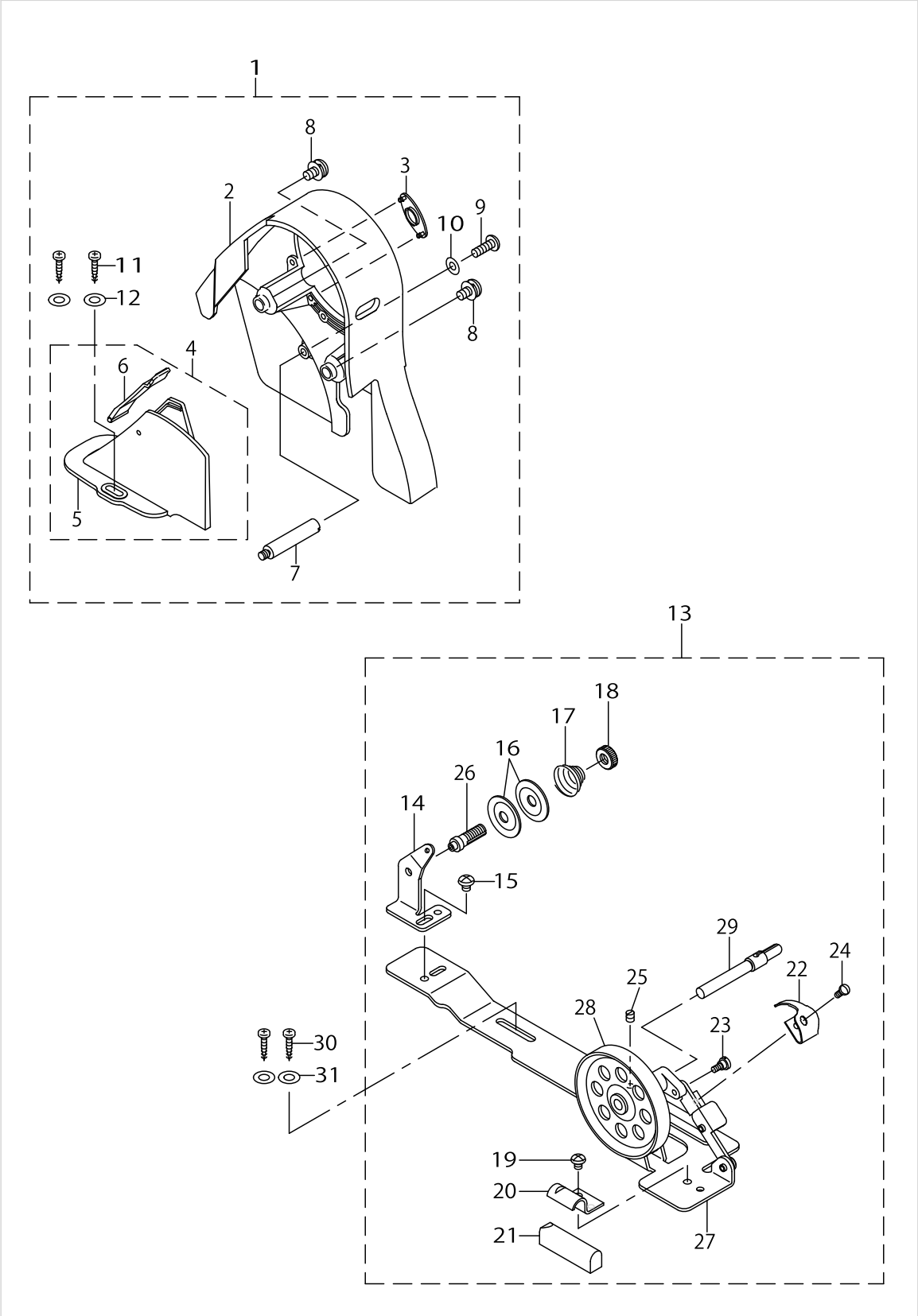
OIL RESERVOIR COMPONENTS



OIL RESERVOIR COMPONENTS

No.	Supply Code	Parts No.	Replacement	Parts name	Remarks	Choice	Step	Level	Cons	Qty	Rep. QTY
1		40029416		OIL RESERVOIR ASM.						1	
2		40105821		OIL RESERVOIR				*		1	
3	R	22931901	11024700	OIL RESERVOIR GASKET				*		1	1.00
4	R	22932008	11047107	RUBBER CUSHION				*		4	1.00
5		SS6700710SH		SCREW 5/16-24 L=7				*		1	
6		RO098240100		RUBBER RING				*		1	
7		22932156		KNEE LIFTER ROTATION ARM ASM.				*		1	
8		NM6060001SE		NUT M6				*		2	
9		SM8063012TR		SCREW M6 L=30				*		2	
10		40101720		SCREW_M6				*		1	
11		22932453		BRACKET ASM.				*		1	
12		22934707		SCREW				*		2	
13		40101541		KNEE_PRESS_CROSS_SHAFT				*		1	
14		22932206		SPRING				*		1	
15		RE1000000K0		E-RING 10				*		1	
16		NM6060001SE		NUT M6				*		1	
17		22934251		KNEE PAD PLATE ASM.						1	
18		22934608		KNEE PAD UPRIGHT SHAFT				*		1	
19		22934400		KNEE PAD PLATE RUBBER				*		1	
20		22934202		KNEE PAD PLATE				*		1	
21		22934301		KNEE PAD PLATE SUPPORT				*		1	
22		SM9061203SE		SCREW M6 L=12				*		1	
23		22934509		KNEE PAD PLATE COVER				*		1	
24		22931703		KNEE LIFTER PUSH ROD						1	

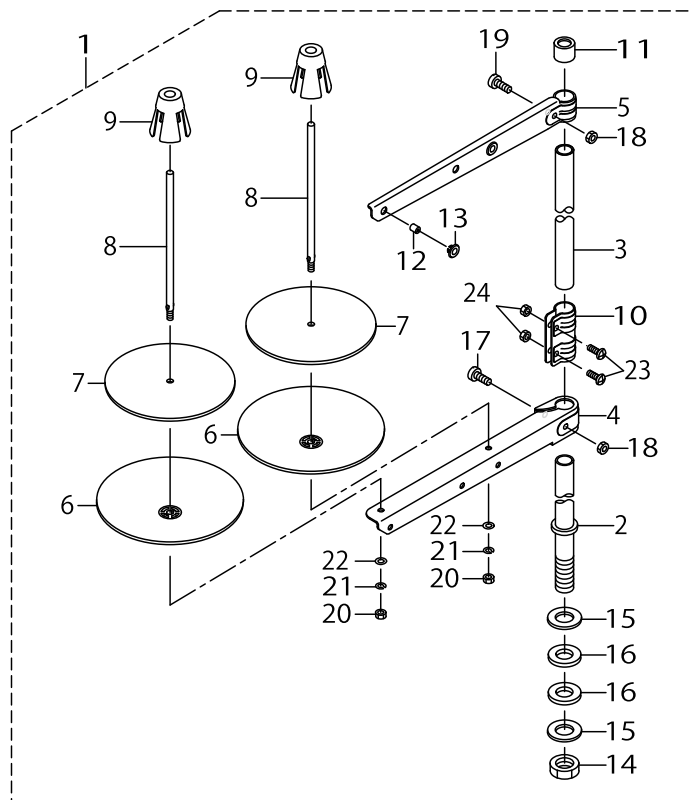
BELT COVER & BOBBIN COMPONENTS



BELT COVER & BOBBIN COMPONENTS

No.	Supply Code	Parts No.	Replacement	Parts name	Remarks	Choice	Step	Level	Cons	Qty	Rep. QTY
1		22933451		BELT COVER ASM.						1	
2	R	22933402	22933451	BELT COVER A				*		1	1.00
3		22933501		BELT COVER A CAP				*		1	
4		22933659		BELT COVER B COMPL.				*		1	
5		22933600		BELT COVER B				*		1	
6	R	22933758	22933659	BELT COVER B LID ASM.				*		1	1.00
7		22933907		BELT COVER STRUT				*		1	
8	R	22934004	11025202	SET SCREW				*		2	1.00
9		SS4121415SP		SCREW 3/16-28 L=14				*		1	
10		WP0501016SD		WASHER 5X10.5X1				*		1	
11	R	SK3412000SC	SK3412000SE	WOOD SCREW D=4.1 L=20				*		2	1.00
12		WP0450826SC		WASHER 4.5X10X0.8				*		2	
13		11415866		BOBBIN WINDER COMPL.						1	
14	R	22928501	11078250	THREAD TENSION POST BASE				*		1	1.00
15		SS4110515SP		SCREW 11/64-40 L=5				*		1	
16	R	22928907	22921506	THREAD TENSION DISK				*		2	1.00
17		22929004		THREAD TENSION SPRING				*		1	
18		22928808		NUT				*		1	
19		SS4110515SP		SCREW 11/64-40 L=5				*		1	
20	D	22928402		CONTROL RUBBER HOLDING PLATE				*		1	
21		22928303		CONTROL RUBBER				*		1	
22		11415908		POSITIONING FINGER				*		1	
23		SD0490261SP		HINGE SCREW D=4.9 H=2.6				*		1	
24		SS7081310SP		SCREW 1/8-44 L=12.5				*		1	
25	R	SS8110510SP	SS8110520TP	SCREW 11/64-40 L=5				*		1	1.00
26	R	22928709	11078250	THREAD TENSION POST				*		1	1.00
27	R	22927305	22927354	BOBBIN WINDER BASE				*		1	1.00
28		22927404		BOBBIN WINDER				*		1	
29		22927602		BOBBIN WINDER SPINDLE				*		1	
30	R	SK3412000SC	SK3412000SE	WOOD SCREW D=4.1 L=20						2	1.00
31		WP0450826SC		WASHER 4.5X10X0.8						2	

THREAD STAND COMPONENTS



THREAD STAND COMPONENTS

No.	Supply Code	Parts No.	Replacement	Parts name	Remarks	Choice	Step	Level	Cons	Qty	Rep. QTY
1		40096354		THREAD STAND ASM.						1	
2		40085784		SPOOL REST ROD LOWER				*		1	
3		40085785		SPOOL REST ROD UPPER				*		1	
4		40085786		SPOOL REST ARM LOWER				*		1	
5		40085787		SPOOL REST ARM UPPER				*		1	
6		40085788		SPOOL REST				*		2	
7		40085789		SPOOL REST CUSHION				*		2	
8		40085790		SPOOL PIN				*		2	
9		40085791		SPOOL RETAINER				*		2	
10		40085792		SPOOL REST ROD JOINT				*		1	
11		40085793		SPOOL REST ROD RUBBER CAP				*		1	
12		40085794		THREAD GUIDE				*		2	
13		40085795		THREAD GUIDE BUSHING				*		2	
14		40096325		SPOOL REST ROD NUT				*		1	
15		WP1612616SE		WASHER 16X30X2.6				*		2	
16		40085796		SPOOL REST ROD RUBBER CUSHION				*		2	
17		40096326		SPOOL REST ARM LOWER SCREW				*		1	
18		NM6050001SE		NUT M5				*		2	
19	R	40096327	SM4053001SE	SPOOL REST ARM UPPER SCREW				*		1	1.00
20		NM6050001SE		NUT M5				*		2	
21		WS0510002KN		SPRING WASHER M5				*		2	
22		WP0531001SC		WASHER M5				*		2	
23		SM4051405SE		SCREW M5 L=14				*		2	
24		NM6050001SE		NUT M5				*		2	

HOW TO MAKE USE OF THIS PARTS LIST

1.As to "#01" and "#02" refer to the "Note" given at the bottom of the respective pages.

2.Codes on the "Qty" column

- Each numeral indicates the number of parts required.
- "0.1" and "2.5" indicate the length (in meters) of the respective parts.

3.Parentheses mean that the corresponding part is a subpart that constructs an assembly part.

4.Dotted lines on the Figures indicate assembly parts.

1. リストページの# 0 1、# 0 2の印は、ページ下の"注記"の説明を参照下さい。
2. 数量欄の数字は、個数を表し、0. 1、2. 5等の数値は、長さ（単位メートル）を表します。
3. 数量欄の（ ）は、組部品を構成している子部品であることを意味します。
4. イラストページの-----枠は、組構成であることを意味します。

NUMERICAL INDEX OF PARTS

PART NO	PAGE	REF NO.	PART NO	PAGE	REF NO.	PART NO	PAGE	REF NO.
11001500	2	22	22912703	12	11	22928303	26	21
11002508	6	21	22912901	12	30	22928402	26	20
11091709	8	32-33	22913008	12	48	22928501	26	14
11403300	8	31	22913008	14	48	22928709	26	26
11404555	20	16	22913602	16	30	22928808	26	18
11404605	20	27	22915003	12	34	22928907	26	16
11404704	8	4	22915201	12	36	22929004	26	17
11415205	2	18	22915359	14	46	22931703	24	24
11415866	26	13	22916308	8	27	22931901	24	3
11415908	26	22	22916506	8	5	22932008	24	4
22888002	16	44	22917058	8	43	22932156	24	7
22901003	2	45	22917157	8	29	22932206	24	14
22901201	2	42	22920102	10	23	22932453	24	11
22901250	2	41	22920300	10	21	22933402	26	2
22901300	2	43	22920409	10	19	22933451	26	1
22901409	8	1	22920607	2	37	22933501	26	3
22901805	4	52	22920904	2	34	22933600	26	5
22902506	2	2	22921209	2	29	22933659	26	4
22902605	4	53	22921308	2	24	22933758	26	6
22903009	6	31	22921407	2	25	22933907	26	7
22903207	6	7	22921506	2	28	22934004	26	8
22903306	6	27	22921605	2	30	22934202	24	20
22903900	6	32	22921803	2	27	22934251	24	17
22904106	6	25	22923015	20	19	22934301	24	21
22904106	18	50	22923205	20	22	22934400	24	19
22904155	6	23	22923312	20	17	22934509	24	23
22904155	12	49	22923403	20	24	22934608	24	18
22904155	14	49	22923502	20	26	22934707	24	12
22904155	18	49	22923601	20	25	22940654	12	43
22905103	8	25	22923700	20	20	22940803	12	23
22905202	8	26	22923809	20	23	22945307	2	31
22907604	10	25	22924005	20	29	22958300	2	15
22907703	10	26	22924153	20	8	22966758	12	19
22907802	10	1	22924302	20	9	22972806	14	56
22908305	10	34	22924401	20	3	23626104	2	21
22908503	10	5	22924500	20	11	23630007	22	43
22908602	10	6	22924609	20	5	40014007	10	16
22908701	10	7	22924708	20	1	40017805	10	37
22908800	10	14	22924807	20	12	40021567	2	9
22908909	10	12	22924906	20	14	40021570	10	4
22909006	10	15	22925002	20	15	40021571	12	13
22911804	12	16	22925101	20	7	40021574	6	5
22912000	12	14	22927305	26	27	40021575	6	12
22912109	12	15	22927404	26	28	40021576	16	2
22912505	12	17	22927602	26	29	40021577	16	23

NUMERICAL INDEX OF PARTS

PART NO	PAGE	REF NO.	PART NO	PAGE	REF NO.	PART NO	PAGE	REF NO.
40021579	16	1	40025574	18	53	40090058	8	6
40021581	16	18	40026194	12	20	40096325	28	14
40021582	16	22	40026195	12	2	40096326	28	17
40021584	18	61	40026454	6	29	40096327	28	19
40021585	16	42	40026457	6	8	40096354	28	1
40021587	18	66	40026520	14	53	40098684	8	41·42
40021592	2	13	40027512	16	21	40098685	8	37·38
40021593	2	14	40027810	18	65	40098949	8	34
40021594	18	64	40027938	20	39	40098959	8	41·42
40021595	16	39	40029413	18	47	40099579	12	32
40021604	8	8	40029414	18	48	40099753	8	2
40021610	8	39·40	40029415	16	46	40101541	24	13
40021612	8	24	40029416	24	1	40101720	24	10
40021613	8	36	40030402	20	41	40101947	12	18
40021615	2	35	40030403	20	40	40101948	14	59
40021625	16	10	40031287	16	36	40101949	14	58
40021627	18	57	40038958	12	8	40101951	12	24
40021630	18	58	40038991	12	7	40101952	16	19
40021635	6	18	40048594	6	20	40101953	16	4
40021770	6	13	40064558	10	29	40101954	16	5
40021773	6	4	40064560	10	22	40101955	12	5
40021774	6	10	40064561	10	30	40101956	12	6
40021775	6	2	40085722	2	23	40101957	10	41
40021787	16	28	40085784	28	2	40101958	10	40
40021788	16	29	40085785	28	3	40101961	10	38
40021790	2	4	40085786	28	4	40101970	10	27
40021791	10	20	40085787	28	5	40101971	10	24
40021907	2	12	40085788	28	6	40101972	16	40
40021938	16	35	40085789	28	7	40101973	18	60
40021999	22	45	40085790	28	8	40101974	16	45
40022003	16	3	40085791	28	9	40101978	16	33
40022646	2	1	40085792	28	10	40101997	6	36
40022647	2	8	40085793	28	11	40102008	18	55
40022772	16	14	40085794	28	12	40102156	20	31
40023030	8	3	40085795	28	13	40102601	16	32
40023223	8	7	40085796	28	16	40102602	6	33
40023246	10	32	40085903	2	26	40102871	8	32·33
40023295	2	17	40090002	8	12	40102978	10	28
40024117	12	4	40090003	8	15	40105821	24	2
40024118	6	19	40090004	8	18	40109071	10	35
40024119	12	3	40090005	8	21	40109160	10	36
40024124	8	10	40090006	8	13	40110729	16	41
40024130	12	1	40090007	8	16	B1213012000	18	54
40024308	12	21	40090008	8	19	B1215552000	6	26
40025328	20	38	40090009	8	22	B1226490000	6	28

NUMERICAL INDEX OF PARTS

PART NO	PAGE	REF NO.	PART NO	PAGE	REF NO.	PART NO	PAGE	REF NO.
B1521555000	10	2	SM4051405SE	28	23	SS7121410TP	16	34
B1830141HA0	8	37-38	SM6040802TP	10	43	SS7620750SP	14	57
B3009141H0A	16	8	SM8061010TP	12	10	SS7681650TP	6	17
B3010141H00	16	9	SM8061050TP	12	9	SS8090670SP	2	32
B3015141H00	16	20	SM8063012TR	24	9	SS8110410TP	8	44
B3016141H00	16	17	SM9061203SE	24	22	SS8110510SP	26	25
B9117201000	8	39-40	SS2110915SP	4	54	SS8150710TP	2	33
CM300200001	4	48	SS2110920TP	2	36	SS8150710TP	16	11
CM301200001	4	51	SS4080620TP	12	40	SS8151150TP	6	1
CQ202000000	20	33	SS4110515SP	26	19	SS8151150TP	16	43
CQ252000000	20	42	SS4110915TP	8	35	SS8151550SP	6	30
CQ3000000F0	20	37	SS4112215SP	4	55	SS8660410SP	6	15
EA9500B0000	20	34	SS4120615SP	2	20	SS8660610TP	6	34
MDP170B2100	8	11	SS4120615SP	20	44	SS8660610TP	10	10
NM6050001SE	28	24	SS4120615SP	22	44	SS8660610TP	12	50
NM6060001SE	24	16	SS4120915SP	2	7	SS8660610TP	14	50
NS6110310SP	10	39	SS4120915SP	8	28	SS8660610TP	18	51
NS6150310SP	16	52	SS4120915SP	18	63	SS8660612TP	16	37
NS6150310SP	18	52	SS4121015SP	2	47	SS8660810TP	6	6
NS6160520SP	16	12	SS4121015SP	4	47	SS8660810TP	8	23
NS6680320SP	16	26	SS4121415SP	26	9	SS8661030SP	6	35
NS6680410SP	12	31	SS4150915SP	20	13	SS8681650TP	6	14
NS6680410SP	16	38	SS4701415SD	4	49	TA0850604R0	2	5
RC0150001KP	12	42	SS6060210SP	2	44	TA0950806R0	4	56
RC1850001KP	6	22	SS6080320SP	2	3	TA1250406R0	2	39
RE0400000K0	16	31	SS6090910SP	10	11	TA1250705R0	2	6
RE0500000K0	10	33	SS6110420TP	8	30	TA2050406R0	2	46
RE1000000K0	24	15	SS6110610TP	2	38	TA2101002R0	2	11
RO029180100	6	3	SS6110710TP	14	55	TA2351004R0	2	16
RO037180100	10	3	SS6111010TP	20	28	WP0450826SC	26	31
RO044240100	6	16	SS6121210SP	12	33	WP0480856SP	12	45
RO078190100	14	51	SS6121860SP	12	12	WP0501016SD	26	10
RO092270200	12	29	SS6151412TP	16	7	WP0531001SC	28	22
RO098240100	24	6	SS6700710SH	24	5	WP0650876SD	10	18
RO118240100	12	28	SS7080510TP	8	9	WP0650876SD	16	16
RO195240100	20	2	SS7081310SP	26	24	WP1612616SE	28	15
SD0490261SP	26	23	SS7090610SP	16	15	WS0510002KN	28	21
SD0720331SP	10	13	SS7091110SP	18	62			
SD0850751SP	16	27	SS7091110TP	10	8			
SD1000801SH	12	35	SS7091410SP	10	42			
SD1020961SP	16	25	SS7110540SP	4	50			
SE4301041SR	20	21	SS7110740TP	12	41			
SK3412000SC	26	30	SS7111120TP	14	47			
SL4030851SF	20	18	SS7120910TP	14	52			
SM4051055SP	6	9	SS7121410TP	12	44			