

MODEL : MF-3620 (機/Machine number:2M4DM00002~)

List No : 1555-01

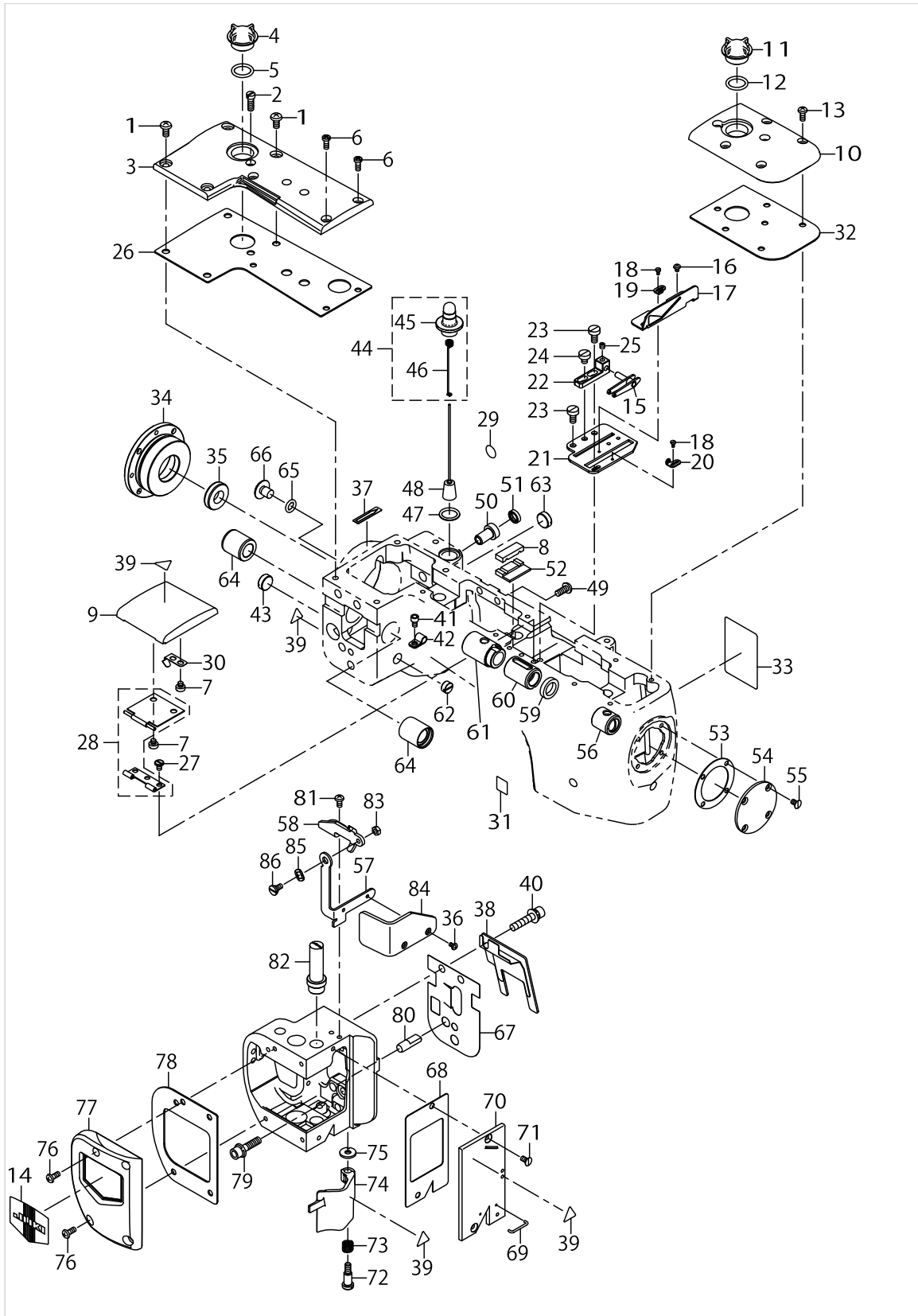
PARTS LIST

Published:05/12/2017

CONTENTS

FRAME EXCLUSIVE COMPONENTS (1).....	1
FRAME EXCLUSIVE COMPONENTS (2).....	3
FEED MECHANISM COMPONENTS.....	7
LOOPER COMPONENTS.....	11
HAND LIFTER COMPONENTS.....	13
HAND LIFTER ASM. COMPONENTS.....	15
MAIN SHAFT & DIRECT DRIVE UNIT COMPONENTS (1).....	19
MAIN SHAFT & DIRECT DRIVE UNIT COMPONENTS (2).....	23
NEEDLE BAR & KNIFE DRIVE COMPONENTS.....	25
THREAD TENSION COMPONENTS.....	29
OIL LUBRICATION COMPONENTS.....	33
THREAD STAND COMPONENTS.....	35
ACCESSORIE PARTS COMPONENTS.....	37
PRESSER LIFTER SET (OPTION).....	41
CHAIN OFF THREAD TRIMMER SET (OPTION).....	43
FRAME EXCLUSIVE COMPONENTS (1).....	45
LIST FOR INFORMATION OF CHANGE (1).....	47
LIST FOR INFORMATION OF CHANGE (2).....	48
HOW TO MAKE USE OF THIS PARTS LIST.....	49

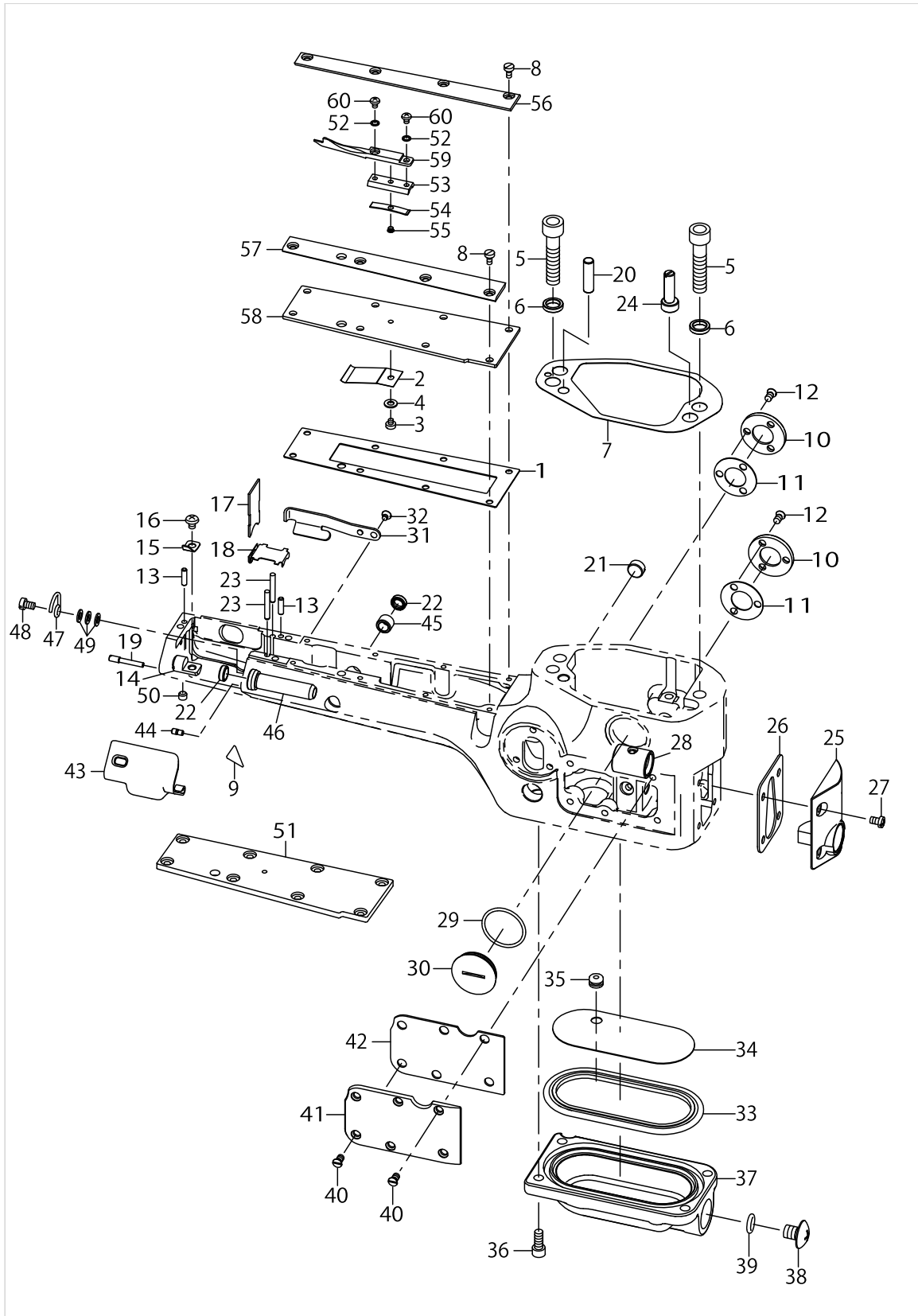
FRAME EXCLUSIVE COMPONENTS (1)



FRAME EXCLUSIVE COMPONENTS (1)

No.	Supply Code	Parts No.	Replacement	Parts name	Remarks	Choice	Step	Level	Cons	Qty	Rep. QTY
2		SL6043092TN		SCREW M4 L=30						2	
3		GAT27010000		COLLAR						2	
4		40074297		SUCTION_PIPE_BRACKET_B						1	
5		SD0800327TP		SHOULDER SCREW D=8 H=3.2						1	
6		NM6050001SP		NUT M5X0.8 TYPE1						1	
7		PS0200062KP		SPRING PIN						1	
8		40074298		SPRING_PLATE						1	
9		SM6040552TP		SCREW M4 L=4.5						2	
10		40074403		SUCTION_PIPE_BRACKET_C						1	
11		SL6041092TN		SCREW M4 L=10						2	
12		40074404		SUCTION_PIPE_BRACKET_D						1	
13		SL6041092TN		SCREW M4 L=10						1	
14		SM8031002TP		SCREW						2	
15		40074409		SUCTION_PIPE_1_ASSY						1	
16		40043839		SUCTION_PIPE_JOINT_ASSY						1	
17		40043800		SUCTION_PIPE_JOINT				*		1	
18		40043815		SUCTION_PIPE_NUT				*		1	
19		SM4041055SP		SCREW				*		1	
20		40074410		SUCTION_PIPE_2_ASSY						1	
21		E1353172000		HOSE BAND						1	
22		40059579		HOSE						1	
23		BT0600401EB		URETHANE TUBE BLACK 6X4						.2	
24		EA9500B0100		CABLE BAND						2	
25		PC012601000		SPEED CONTROLLER						1	
26		BT0600401EB		URETHANE TUBE BLACK 6X4						1	
27		40049213		SOLENOID VALVE						1	
28		PJ301065201		HALF UNION 6XPT1/4						2	
29		HK034610140		CONNECTOR						1	
30		HK03464000B		TERMINAL						2	
31		BT0600401EB		URETHANE TUBE BLACK 6X4						1	
32		40074302		FILTER_ASM						1	
33		F1003003000		FILTER BRACKET						1	
34		F1004003000		PIPE GRIP						1	
35		TA2050406R0		RUBBER PLUG						1	
36		SK3452500SC		WOOD SCREW D=4.5 L=25						8	

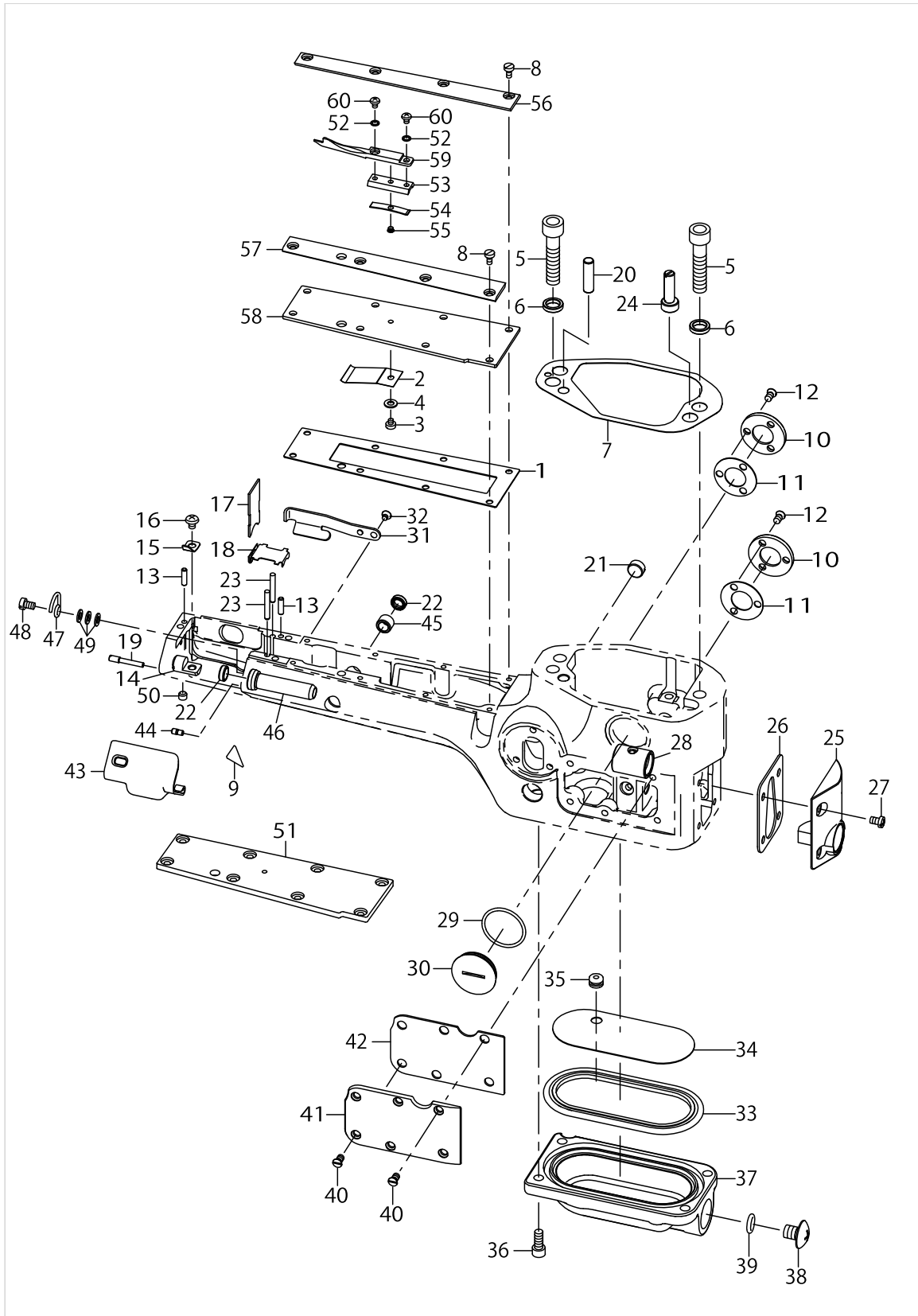
FRAME EXCLUSIVE COMPONENTS (2)



FRAME EXCLUSIVE COMPONENTS (2)

No.	Supply Code	Parts No.	Replacement	Parts name	Remarks	Choice	Step	Level	Cons	Qty	Rep. QTY
1		40074229		CYLINDER_COVER_GASKET						1	
2		40074484		UPPER_LINT_SHIELD						1	
3		SM6030350SN		SCREW M3 L=2.5						1	
4		WP0410846SC		WASHER						1	
5		SM6083852TP		SCREW M8 L=38						3	
6		40066902		WASHER						3	
7		40074231		ARM_CYLINDER_UNITE_GASKET						1	
8		SM6030650TP		SCREW						8	
9		CM300200001		ATTENTION SEAL						1	
10		40074263		FEED_DRIVE_SHAFT- _COVER_COATING						2	
11		40074246		FEED_DRIVE_SHAFT- _COVER_GASKET						2	
12		SM1040750TP		SCREW M4 L=7						6	
13		40074234		DOWEL_PIN						2	
14		40074235		CYLINDER_HINGED_SPRING_STUD						1	
15		40074236		CYLINDER_HINGED_SPRING						1	
16		SM4040501SN		SCREW M4X0.7 L=5						1	
17		40074237		LOWER_LINT_SHIELD						1	
18		40074238		LOWER_LINT_SHIELD_STUD						1	
19		40074244		SCREW_PIN						1	
20		40066918		DOWEL PIN STRAIGHT						1	
21		40066892		PLUG SCREW						1	
22		40112857		OIL SEAL FOR 35850G						2	
23		40074264		FEED_BAR_SIDE_OIL_SHIELD						2	
24		40066919		ECCENTRIC PIN						1	
25		40074239		CYLINDER_FRONT_COVER_ASSY						1	
26		40074240		CYLINDER_FRONT_COVER_GASKET						1	
27		SM4040655SP		SCREW M4 L=6						4	
28		40067003		LOOPER SHAFT BUSHING FRONT						1	
29		40066928		O RING						1	
30		40066929		PLUG SCREW						1	
31		40074247		LOOPER_COVER						1	
32		SM1030501SC		SCREW M3 L=5						1	
33		40067059		GASKET						1	
34		40067058		SCREEN						1	
35		40067056		O RING						1	
36		SM6051202TP		SCREW M5X0.8 L=12						4	
37		40074277		OIL_RESERVOIR_COATING						1	
38	R	13171004	SM0081001SD	DRAIN SCREW						1	1.00
39		13170105		RUBBER RING						1	
40		SM1040750TP		SCREW M4 L=7						6	
41		40074262		CYLINDER_SIDE_COVER_COATING						1	
42		40074242		CYLINDER_SIDE_COVER_GASKET						1	
43		40074243		CYLINDER_HINGED_COVER						1	
44		40066909		PIN						1	
45		40067014		BUSHING FOR FEED BAR ECCENTRIC STUD						1	

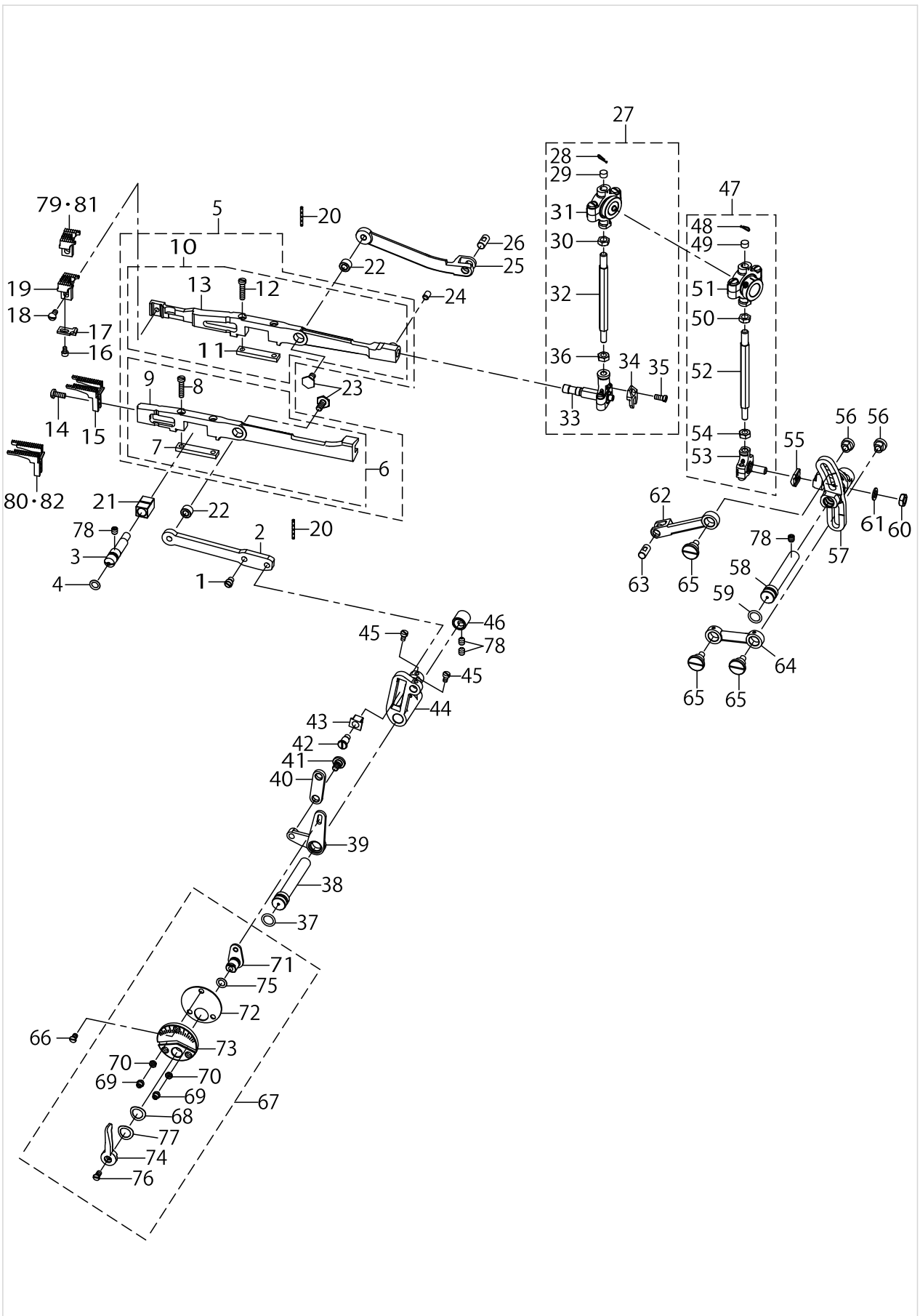
FRAME EXCLUSIVE COMPONENTS (2)



FRAME EXCLUSIVE COMPONENTS (2)

No.	Supply Code	Parts No.	Replacement	Parts name	Remarks	Choice	Step	Level	Cons	Qty	Rep. QTY
46		40074259		LOOPER_SHAFT_BUSHING_REAR						1	
47		40074248		LOOPER_THREAD_GUIDE_WIRE						1	
48		SM6040800SP		SCREW						1	
49		WP0430800SC		WASHER M4						3	
50		SM8050412TP		SCREW M5 L=4						1	
51		40074485		CYLINDER_COVER_ FOR_ONE_SIDE_CUT	FOR ONE SIDE CUT					1	
52		WP0360516SD		WASHER M3	FOR BOTH SIDE CUT					2	
53		40074481		LAP_FORMER_SLIDE_BLOCK	FOR BOTH SIDE CUT					1	
54		40074482		LAP_FORMER_SPRING	FOR BOTH SIDE CUT					1	
55		40074483		SCREW	FOR BOTH SIDE CUT					1	
56		40074226		GIB_RIGHT	FOR BOTH SIDE CUT					1	
57		40074227		GIB_LEFT	FOR BOTH SIDE CUT					1	
58		40074228		CYLINDER_COVER	FOR BOTH SIDE CUT					1	
59		40074480		LAP_FORMER	FOR BOTH SIDE CUT					1	
60		SM4030455SN		SCREW	FOR BOTH SIDE CUT					2	

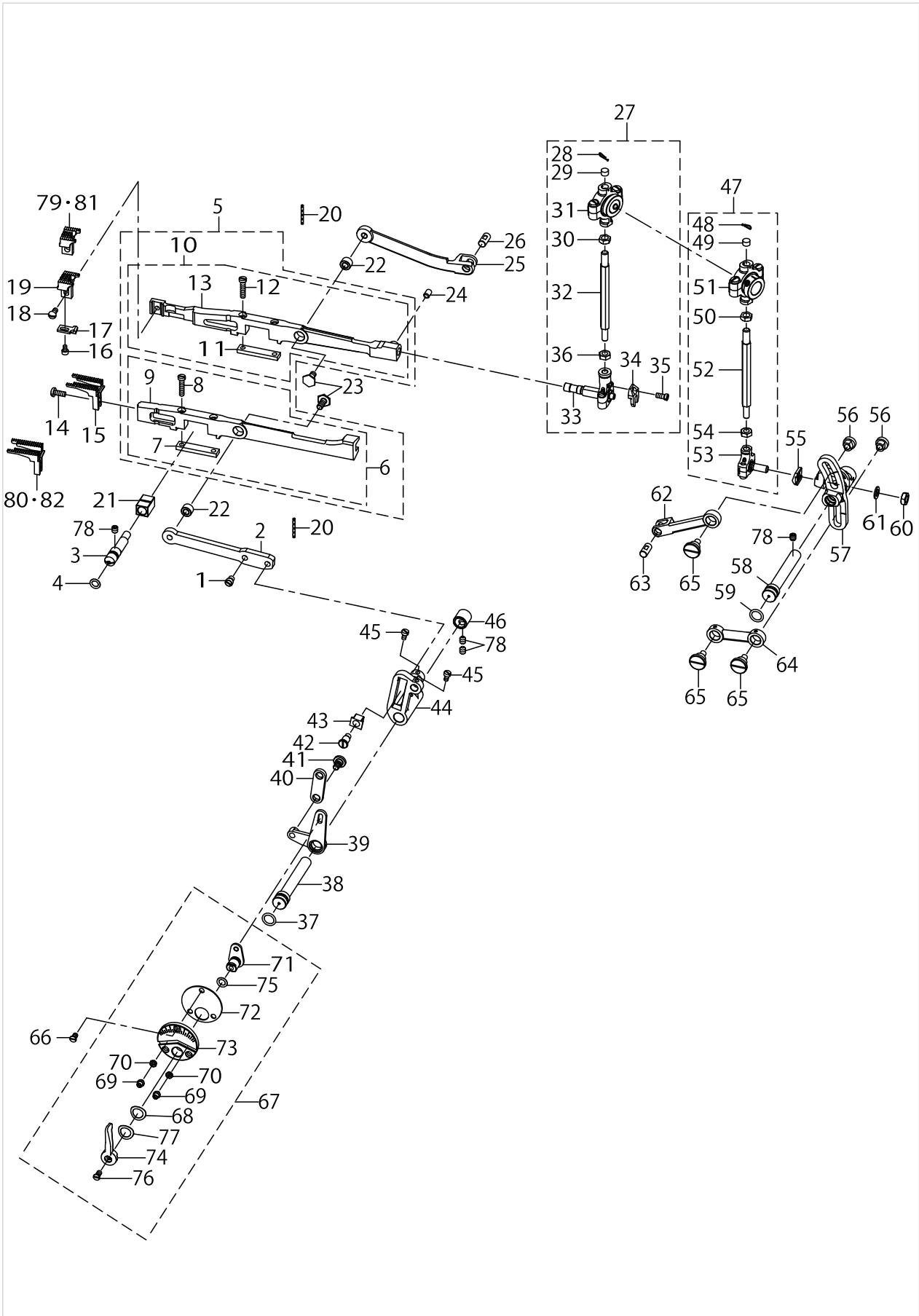
FEED MECHANISM COMPONENTS



FEED MECHANISM COMPONENTS

No.	Supply Code	Parts No.	Replacement	Parts name	Remarks	Choice	Step	Level	Cons	Qty	Rep. QTY
1		40070191		SCREW						1	
2		40074658		DIFF_FEED_BAR_DRIVING_LINK						1	
3		40074689		FEED_BAR_ECCENTRIC_STUD						1	
4		RO061180100		O-RING						1	
5		40074662		FEED_BAR_ASSY						1	
6		40074601		DIFFERENTIAL_FEED_BAR_ASSY				*		1	
7	R	40068663	40069015	FEED BAR PLATE		A	MS-3580	*		1	1.00
7	R	40068663	40074662	FEED BAR PLATE		B	MF-3620	*		1	1.00
8		40068664		SCREW				*		2	
9		40074602		DIFFERENTIAL_FEED_BAR				*		1	
10		40074615		MAIN_FEED_BAR_ASSY				*		1	
11	R	40068663	40069015	FEED BAR PLATE		A	MS-3580	*		1	1.00
11	R	40068663	40074662	FEED BAR PLATE		B	MF-3620	*		1	1.00
12		40068664		SCREW				*		2	
13		40074616		MAIN_FEED_BAR				*		1	
14		SM4041050TP		SCREW						1	
15		40074603		DIFF_FEED_DOG						1	
16		SM6030502TP		SCREW M3X5						1	
17		40074608		NEEDLE_GUARD					☆	1	
18		SM4040800SP		SCREW M4X0.7 L=8						1	
19		40074609		MAIN_FEED_DOG						1	
20		CQ200000000		COTTON OIL WICK D=2						2	
21		40068470		FEED BAR SLIDE BLOCK						1	
22		40067172		BUSHING						2	
23		40067173		DIFFERENTIAL FEED BAR DRIVING						2	
24		SM8050812TP		SCREW M5X8						1	
25		40074617		MAIN_FEED_BAR_DRIVE_LINK						1	
26		40067155		LINK PIN						1	
27		40074618		FEED LIFT ECCENTRIC ASSY						1	
28		11856101		NEEDLE COOLER PIN				*		1	
29		40067149		FELT				*		1	
30		40069918		NUT M6 LEFT				*		1	
31	R	40074619	40074618	FEED_LIFT_ECCENTRIC_BALL_JOINT				*		1	1.00
32		40074622		CONNECTING_ROD				*		1	
33	R	40074623	40074618	BALL_JOINT_COMPLETE				*		1	1.00
34		40074627		BALL_FORK				*		1	
35		SM6040950TP		SCREW M4 L=8.5				*		1	
36		NM6050001SP		NUT M5X0.8 TYPE1				*		1	
37		40076293		RUBBER RING						1	
38		40074659		FEED_ROCKER_SHAFT						1	
39		40074629		DIFF_FEED ADJUSTING LEVER						1	
40		40074630		DIFF_FEED_ADJUSTING_LEVER_LINK						1	
41		SD0650326TP		SHOULDER SCREW D=6.5 H=3.2						1	
42		40067167		DIFFERENTIAL FEED BAR DRIVING						1	
43		40067166		DIFFERENTIAL FEED DRIVING LINK						1	

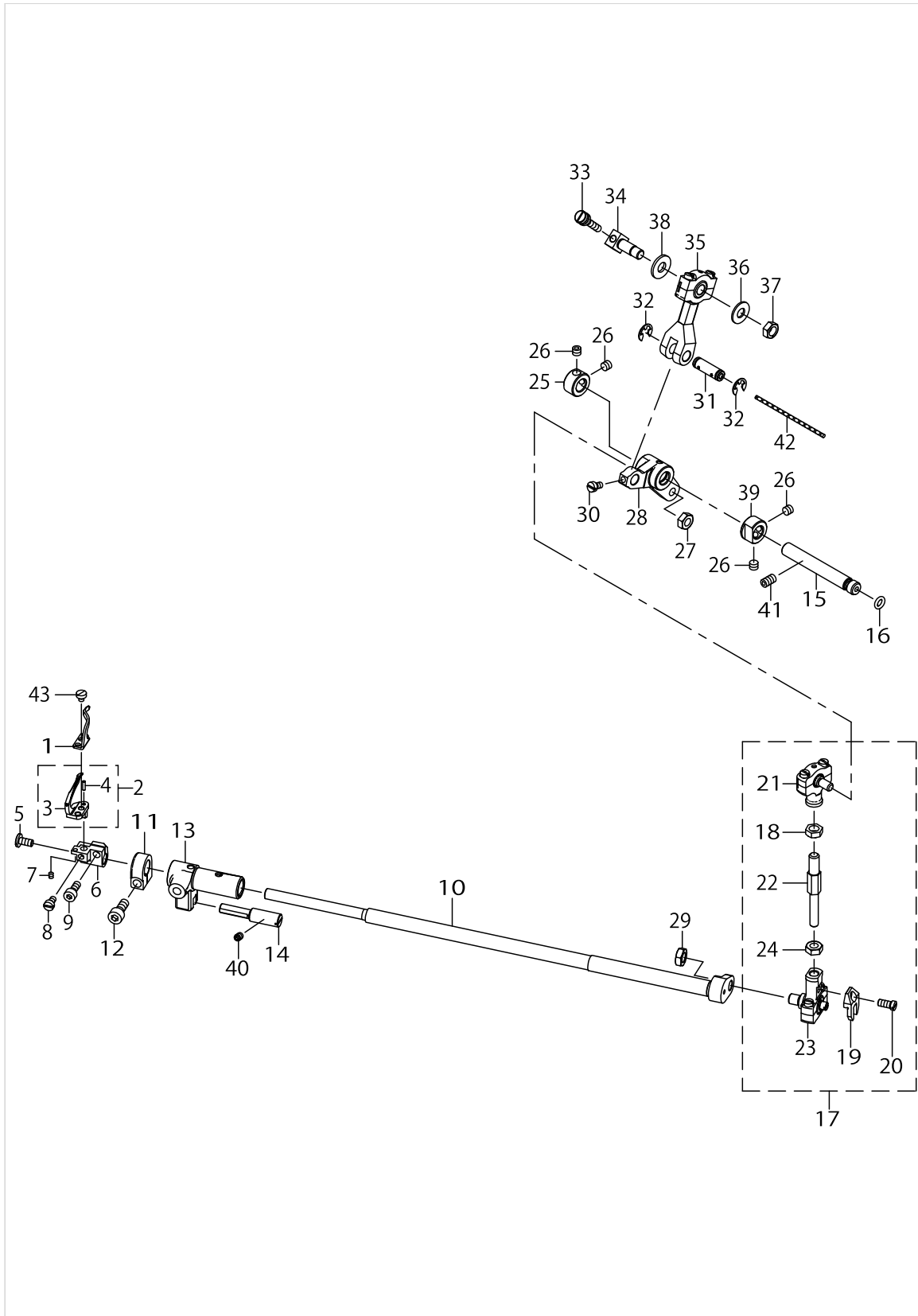
FEED MECHANISM COMPONENTS



FEED MECHANISM COMPONENTS

No.	Supply Code	Parts No.	Replacement	Parts name	Remarks	Choice	Step	Level	Cons	Qty	Rep. QTY
44		40074632		FEED_ROCKER						1	
45		SM67506A0TP		SCREW M3.5 L=6						2	
46		40074633		BUSHING_FOR_FEE- D_ROCKER_SHAFT						1	
47		40074634		FEED_DRIVE_ASSY						1	
48		11856101		NEEDLE COOLER PIN				*		1	
49		40067149		FELT				*		1	
50		40069918		NUT M6 LEFT				*		1	
51	R	40074635	40074634	FEED_DRIVE_ECCENTRIC_ASSY				*		1	1.00
52		40074637		CONNECTING_ROD				*		1	
53	R	40074638	40074634	BALL_JOINT_ASSY				*		1	1.00
54		NM6050001SP		NUT M5X0.8 TYPE1				*		1	
55		40074641		BALL_SCREW_BRACKET						1	
56		40074642		NUT						2	
57		40074643		FEED_DRIVE_AVOID_DRIVE_LEVER						1	
58		40074659		FEED_ROCKER_SHAFT						1	
59		40076293		RUBBER RING						1	
60		NM6060003SP		NUT M6 TYPE3						1	
61		WP0651056SH		WASHER 6.5X11X1						1	
62		40074645		FEED_ROCKER_DRIVE_LINK						1	
63		40067155		LINK PIN						1	
64		40074646		CONNECTING_ROD						1	
65		SD0950646TP		SHOULDER SCREW D=9.5 H=6.4						3	
66		SM1040750TP		SCREW M4 L=7						3	
67		40074648		DIFF_FEED_CONTROL_ASSY						1	
68		40067008		SPRING WASHER				*		1	
69		40067009		STOP SCREW PIN				*		2	
70		40068392		NUT				*		2	
71		40074649		ADJUSTING_LEVER				*		1	
72		40074653		GASKET				*		1	
73		40074654		ADJUSTING PLATE				*		1	
74		40074655		OPERATING_LEVER				*		1	
75		RO061180100		O-RING				*		1	
76		SM1040950TP		SCREW M4 L=9				*		1	
77		WP0951016SP		WASHER 9.53X15X1				*		1	
78		SM80506A2TP		SCREW M5 L=6						4	
79		40074575		MAIN_FEED_DOG_STEP	FOR L211					1	
80		40074576		DIFF_FEED_DOG_STEP	FOR L211					1	
81		40074598		MAIN_FEED_DOG_STEP_128	FOR L210					1	
82		40074599		DIFF_FEED_DOG_STEP_128	FOR L210					1	

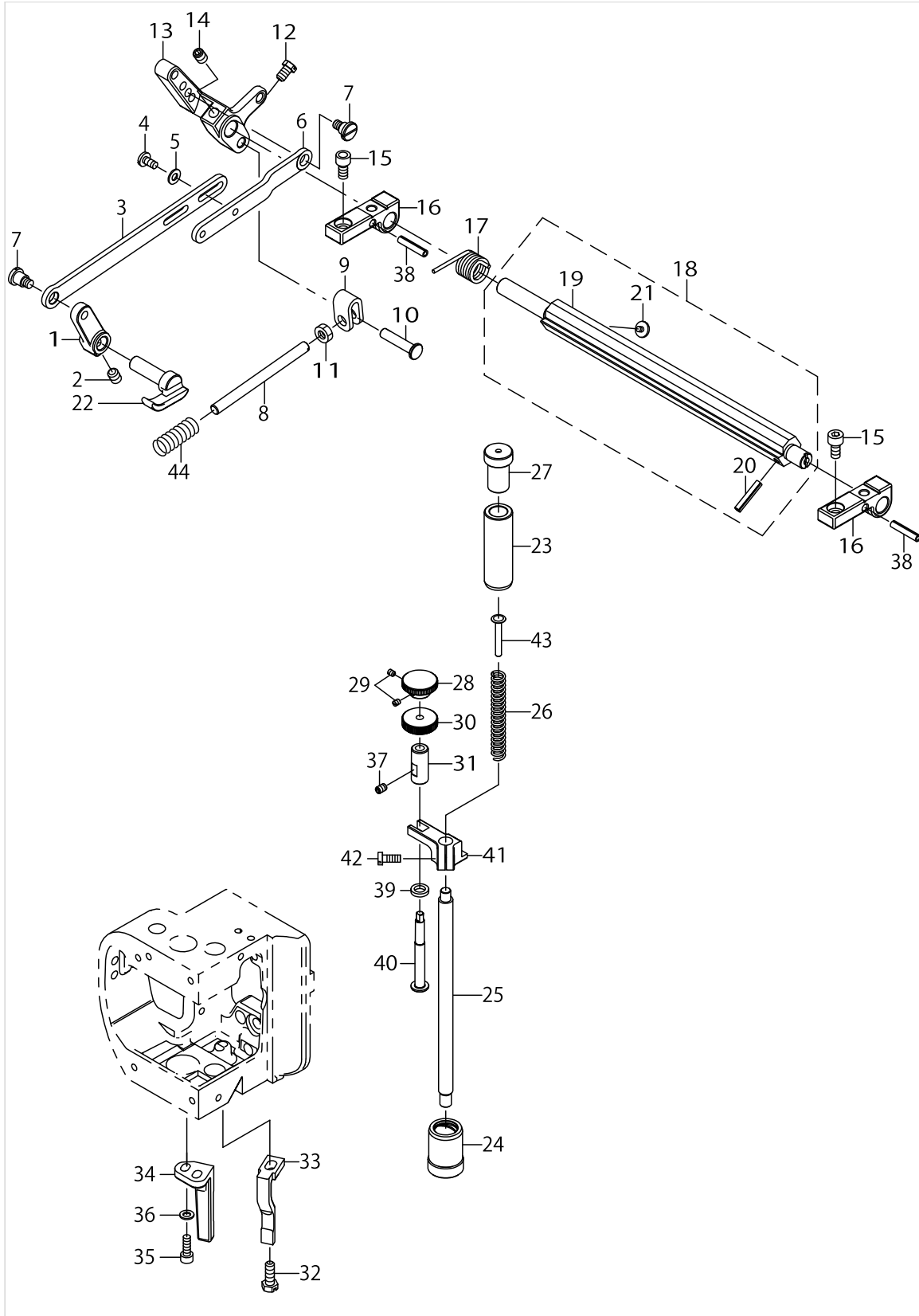
LOOPER COMPONENTS



LOOPER COMPONENTS

No.	Supply Code	Parts No.	Replacement	Parts name	Remarks	Choice	Step	Level	Cons	Qty	Rep. QTY
1		40074656		LOOPER_MONTEED_NEEDLE_GUARD					☆	1	
2		40074596		LOOPER						1	
3		40074600		LOOPER				*	☆	1	
4		PS0150042K0		SPRING PIN 1.5X 4				*		1	
5		SM6040860TP		SCREW M4 L=8						1	
6		40074660		LOOPER_HOLDER						1	
7		SM8850302TP		SCREW M2.5X0.45 L=3						1	
8		SM67506A0TP		SCREW M3.5 L=6						1	
9		SM6041002TP		SCREW M4X0.7 L=10						1	
10		40074661		LOOPER_ROCKER_SHAFT						1	
11		40074663		THRUST_COLLAR						1	
12		SM6051202TP		SCREW M5X0.8 L=12						1	
13		40074664		LOOPER_SHAFT_SLEEVE						1	
14		40074665		GUIDE_STUD						1	
15		40074666		LOOPER_DRIVER_LEVER_SHAFT						1	
16		40068434		O RING						1	
17		40074667		LOOPER_DRIVER_CON_ROD_ASSY						1	
18		40069918		NUT M6 LEFT				*		1	
19		40074627		BALL_FORK				*		1	
20		SM6040950TP		SCREW M4 L=8.5				*		1	
21		40074668		BALL_JOINT_UPPER				*		1	
22		40074671		CONNECTING_ROD				*		1	
23		40074672		BALL_JOINT_LOWER				*		1	
24		NM6050001SP		NUT M5X0.8 TYPE1				*		1	
25		CS0800881TP		THRUST COLLAR D=8 W=8						1	
26		SM8050412TP		SCREW M5 L=4						4	
27		NM6050001SP		NUT M5X0.8 TYPE1						1	
28		40074677		LOOPER_DRIVE_LEVER						1	
29		NM6060003SP		NUT M6 TYPE3						1	
30		SM67506A0TP		SCREW M3.5 L=6						1	
31		40074678		LINK_PIN						1	
32		RE0500000K0		E-RING						2	
33		40074679		SCREW						1	
34		40074680		LOOPER_DRIVE_CRANK_STUD						1	
35		40074681		LOOPER_DRIVE_CONN_ROD_ASSY						1	
36		WP0621046SP		WASHER						1	
37		40069918		NUT M6 LEFT						1	
38		40008423		WASHER						1	
39		40074684		THRUST_COLLAR						1	
40		SM8040612TP		SCREW M4 L=6						1	
41		SM8050812TP		SCREW M5X8						1	
42		CQ252000000		OIL WICK						.1	
43		SM6030350TP		SCREW M3 L=3.4					☆	2	

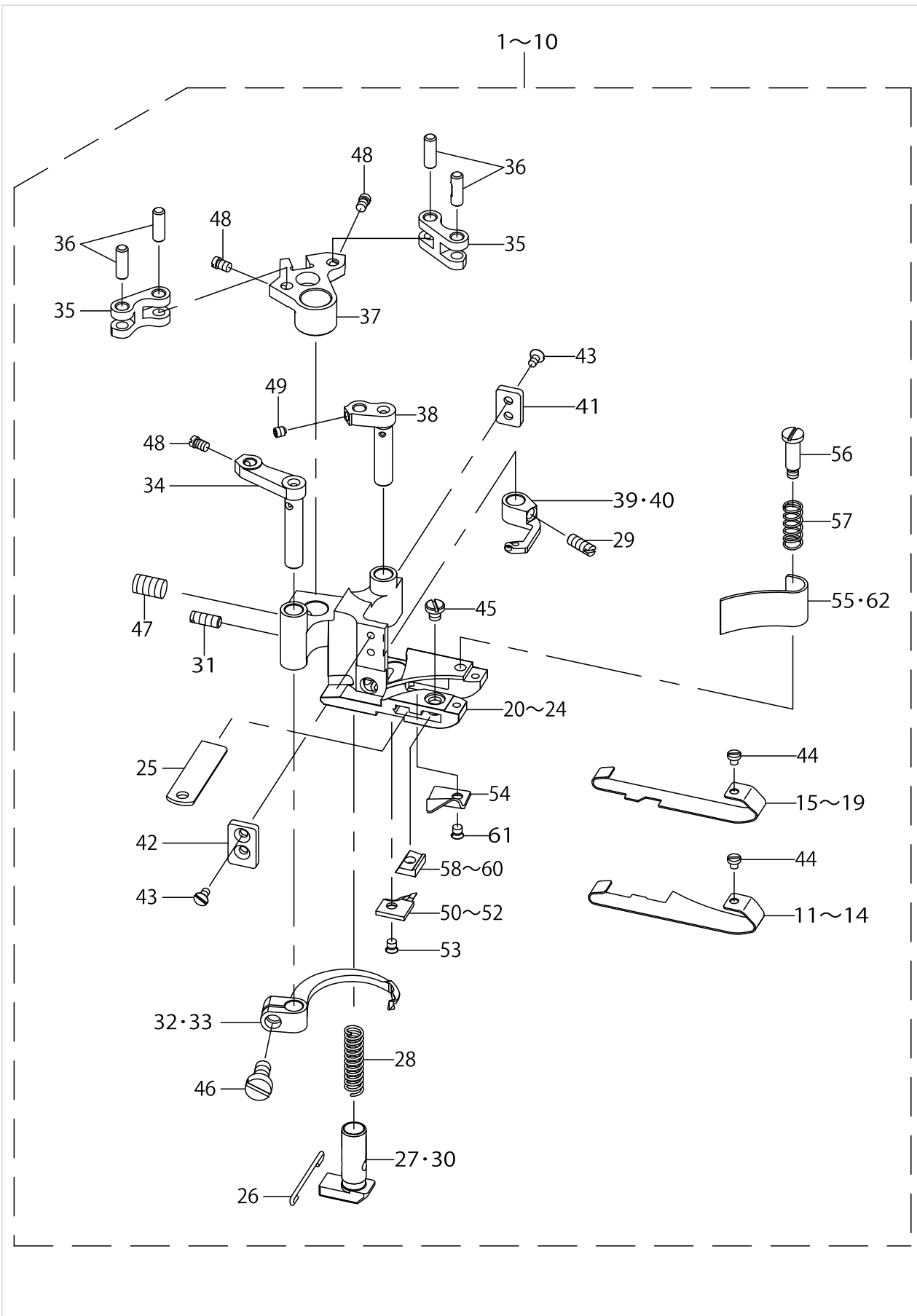
HAND LIFTER COMPONENTS



HAND LIFTER COMPONENTS

No.	Supply Code	Parts No.	Replacement	Parts name	Remarks	Choice	Step	Level	Cons	Qty	Rep. QTY
1		40074550		LIFT_LEVER_LINK_CONNECTION						1	
2		SM8060812TP		SCREW M6 L=8						1	
3		40074551		LIFT_LEVER_LINK_L						1	
4		SM5040855SN		SCREW						2	
5		WP0450801SD		WASHER 4.5X10X0.8						2	
6		40074552		LIFT_LEVER_LINK_S						1	
7		SD0700586TP		SHOULDER SCREW						2	
8		40074553		LIFTER_STOP_PLUNGER						1	
9		40074554		LIFTER_STOP_PLUNGER_PLATE						1	
10		40074555		LIFTER_STOP_PLUNGER_PIN						1	
11		NM6060003SP		NUT M6 TYPE3						1	
12		SM9050850SP		SCREW						1	
13		40074556		LIFTER_LEVER						1	
14		SM8060812TP		SCREW M6 L=8						1	
15		SM6051002TP		SCREW M5X0.8 L=10						2	
16		40074559		TENSION_PLATE_BRACKET						2	
17		40067225		TENSION RELEASE SHAFT SPRING						1	
18		40068575		TENSION RELEASE SHAFT ASM.						1	
19		40067221		TENSION RELEASE SHAFT BLK				*		1	
20		PS0400202KP		SPRING PIN TYPE W 4X20				*		1	
21		SM7030450SC		SCREW M3X0.5 L=4				*		1	
22		40074560		PRESSER_BAR_LIFTER_LEVER						1	
23		40074561		PRESSER_BAR_BUSHING						1	
24		40074562		CARRIER_HOOK_SLEEVE_BUSHING						1	
25		40074563		PRESSER_BAR						1	
26		40074564		PRESSER_BAR_SPRING						1	
27		40074565		PRESSER_BAR_REGULATING						1	
28		40074566		KNURLED_KNOB						1	
29		SM8030450SP		SCREW M3 L=4						2	
30		40074567		KNURLED_NUT						1	
31		40074568		THREADED_SLEVE						1	
32		SM9051400SN		HEXAGON BOLT						1	
33		40074450		PRESSER_FOOT_GUIDE_RIGHT						1	
34		40074451		PRESSER_FOOT_GUIDE_LEFT						1	
35		SM6041202TP		SCREW M4X0.7 L=12						2	
36		WP0430800SC		WASHER M4						2	
37		SM8040612TP		SCREW M4 L=6						1	
38		PS0400202KP		SPRING PIN TYPE W 4X20						2	
39		40074570		COLLAR BUMPER						1	
40		40074569		SCREW_STUD						1	
41		40074456		PRESSER_BAR_GUIDE						1	
42		SM6041000SP		SCREW M4 L=10						1	
43		40074332		TENSION_DISC_PIN						1	
44		40074464		KNIFE HOLDER_SPRING						1	

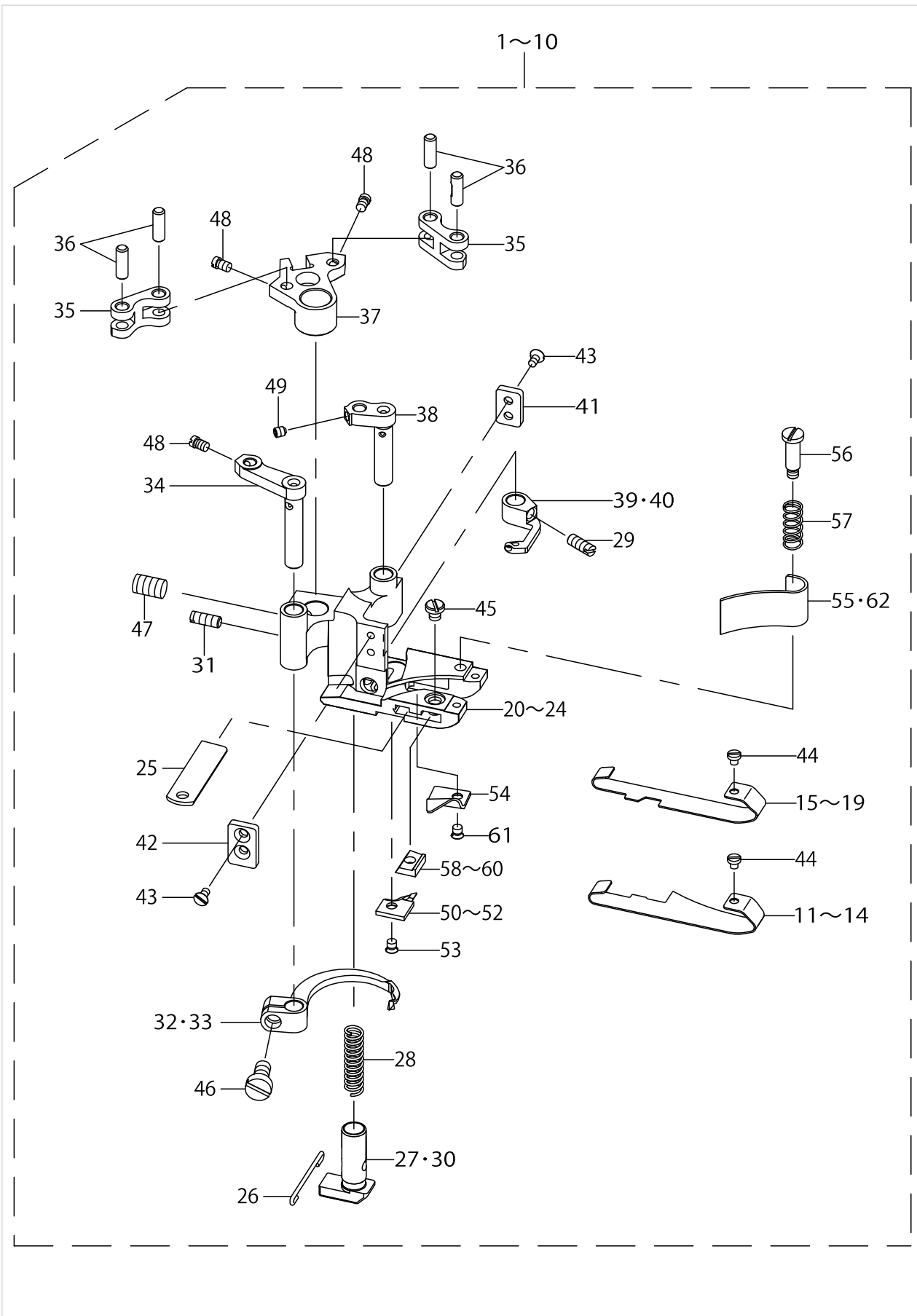
HAND LIFTER ASM. COMPONENTS



HAND LIFTER ASM. COMPONENTS

No.	Supply Code	Parts No.	Replacement	Parts name	Remarks	Choice	Step	Level	Cons	Qty	Rep. QTY
1		40074529		PRESSER_FOOT_ASSY_L100_52						1	
2		40074530		PRESSER_FOOT_ASSY_L200_52						1	
3		40074538		PRESSER_FOOT_ASSY_L100_60						1	
4		40074539		PRESSER_FOOT_ASSY_L200_60						1	
5		40074531		PRESSER_FOOT_ASSY_L201_52						1	
6		40074533		PRESSER_FOOT_ASSY_L211_52						1	
7		40074545		PRESSER_FOOT_ASSY_L201_60						1	
8		40074547		PRESSER_FOOT_ASSY_L211_60						1	
9		40074532		PRESSER_FOOT_ASSY_L210_52						1	
10		40074546		PRESSER_FOOT_ASSY_L210_60						1	
11		40074521		FRESSER_FOOT_SHOE_B_LEFT	FOR ONE SIDE CUT			*	☆	1	
12		40074706		FRESSER_FOOT_SHOE_J_LEFT	FOR L200			*	☆	1	
13		40074611		FRESSER_FOOT_SHOE_D_LEFT	FOR L201,L210			*	☆	1	
14		40074588		FRESSER_FOOT_SHOE_F_LEFT	FOR L211			*	☆	1	
15		40074520		FRESSER_FOOT_SHOE_B_RIGHT	FOR ONE SIDE CUT			*	☆	1	
16		40074705		FRESSER_FOOT_SHOE_J_RIGHT	FOR L200			*	☆	1	
17		40074610		FRESSER_FOOT_SHOE_D_RIGHT	FOR L201			*	☆	1	
18		40074589		FRESSER_FOOT_SHOE_F_RIGHT	FOR L211			*	☆	1	
19		40074614		FRESSER_FOOT_SHOE_G_RIGHT	FOR L210			*		1	
20		40074500		PRESSER_FOOT_BASE_L100	FOR ONE SIDE CUT			*		1	
21		40074501		PRESSER_FOOT_BASE_L200	FOR L200			*		1	
22		40074580		PRESSER_FOOT_BASE_L201	FOR L201			*		1	
23		40074582		PRESSER_FOOT_BASE_L211	FOR L211			*		1	
24		40074581		PRESSER_FOOT_BASE_L210	FOR L210			*		1	
25		40074479		FIXED_KNIFE				*	☆	1	
26		40074498		SHOE_HOLDING_WIRE				*		1	
27		40074584		YIELDING_SECTION_L211	FOR L211			*		1	
28		40074586		YIEDING_SECTION_SPRING_S				*		1	
29		SM8030612TP		SET SCREW				*		1	
30		40074503		YIEDING_SECTION				*		1	
31		40074504		YIEDING_SECTION_SCREW				*	☆	1	
32		40074505		THREAD_HOOK	FOR 5.2MM			*	☆	1	
33		40074514		THREAD_HOOK_60	FOR 6MM			*	☆	1	
34		40074506		THREAD_HOOK_LEVER				*		1	
35		40074507		DRIVING_LEVER_LINK				*		2	
36		40074508		LINK_PIN				*		4	
37		40074509		DRIVING_SEGMENT				*		1	
38		40074510		CARRIER_DRIVING_LEVER				*		1	
39		40074511		THREAD_CARRIER	FOR 5.2MM			*	☆	1	
40		40074527		THREAD_CARRIER_60	FOR 6MM			*	☆	1	
41		40074512		FOOT_GUIDE_PLATE_RIGHT				*		1	
42		40074513		FOOT_GUIDE_PLATE_LEFT				*		1	
43		SM1020450TP		SCREW M2 L=4				*		4	
44		SM6020250TP		SCREW				*		2	
45		SM6030350TP		SCREW M3 L=3.4				*		1	
46		SM6040800SP		SCREW				*		1	

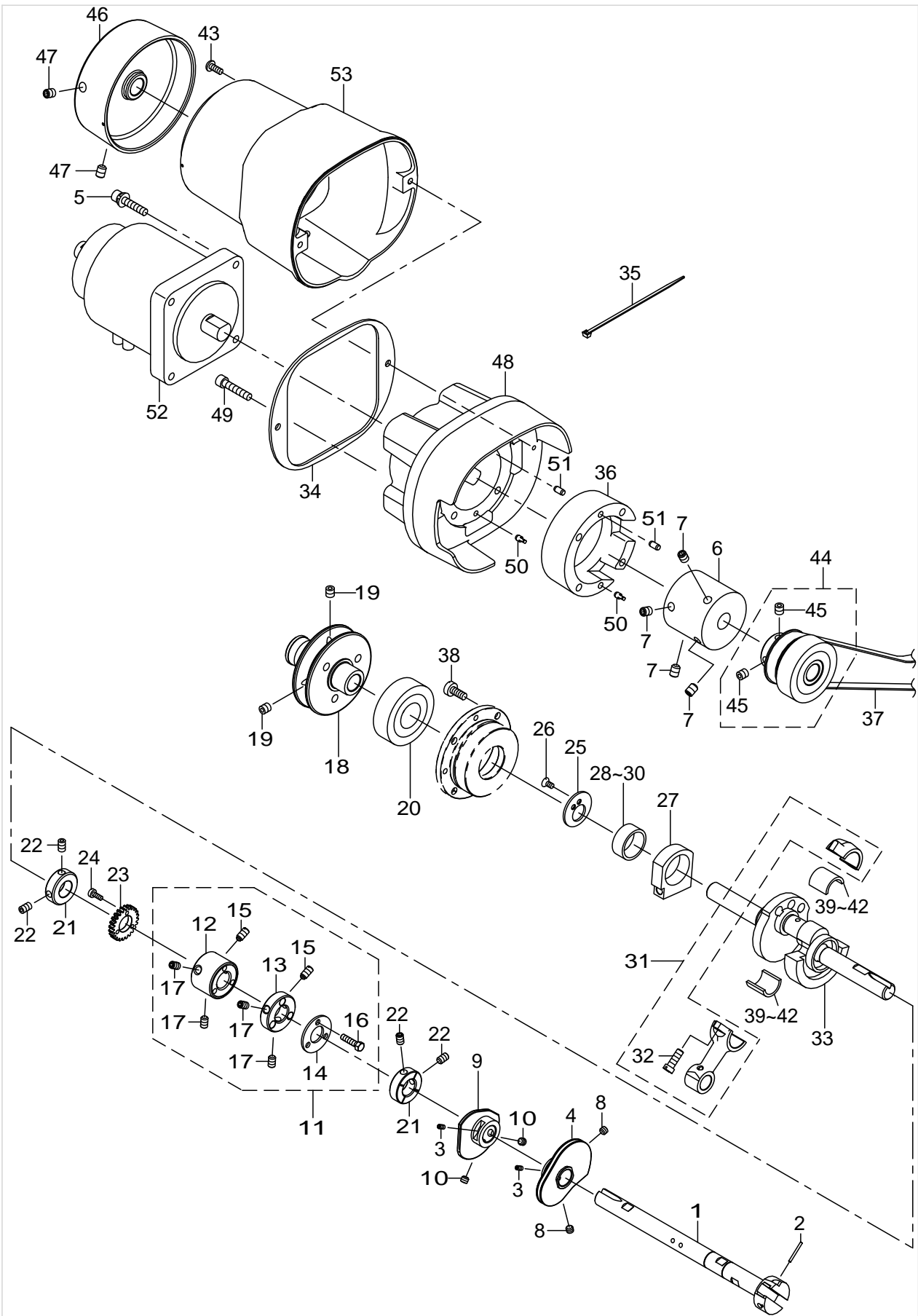
HAND LIFTER ASM. COMPONENTS



HAND LIFTER ASM. COMPONENTS

No.	Supply Code	Parts No.	Replacement	Parts name	Remarks	Choice	Step	Level	Cons	Qty	Rep. QTY
47		SM8050812TP		SCREW M5X8				*		1	
48		SM6850350TP		FLAT SCREW				*		3	
49		SM8850302TP		SCREW M2.5X0.45 L=3				*		1	
50		40074515		GUIDE PLATE Z	FOR BOTH SIDE CUT			*		1	
51		40074499		GUIDE_PLATE	FOR L201,L210			*		1	
52		40074573		GUIDE_PLATE_L211	FOR L211			*		1	
53		40053286		SCREW	FOR BOTH SIDE CUT			*		1	
54		40074572		GW_GUIDE	FOR L201			*		1	
55		40074487		PRESSER_FOOT_CHIP_GUARD				*		1	
56		40074488		CHIP_GUARD_SCREW				*		1	
57		40074489		CHIP_GUARD_SPRING				*		1	
58		40074494		KNIFE_CLAMP_A	SELECTIVE PARTS			*		1	
59		40074495		KNIFE_CLAMP_B	SELECTIVE PARTS			*		1	
60		40074496		KNIFE_CLAMP_C	SELECTIVE PARTS			*		1	
61		40053286		SCREW	FOR L201			*		1	
62		40074583		PRESSER_FOOT_CHIP_GUARD_L211	FOR L211			*		1	

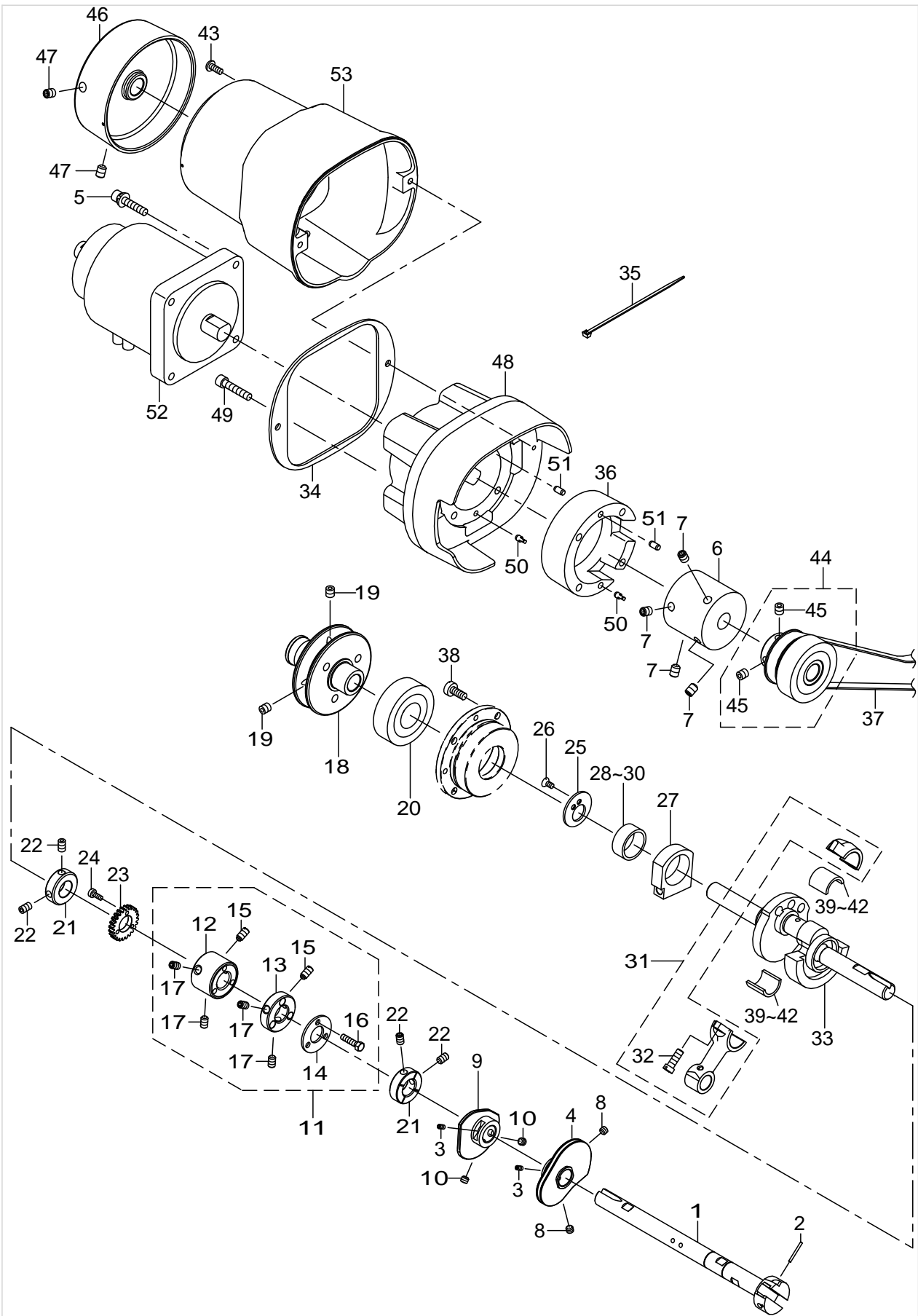
MAIN SHAFT & DIRECT DRIVE UNIT COMPONENTS (1)



MAIN SHAFT & DIRECT DRIVE UNIT COMPONENTS (1)

No.	Supply Code	Parts No.	Replacement	Parts name	Remarks	Choice	Step	Level	Cons	Qty	Rep. QTY
1		40074740		MAIN_SHAFT						1	
2		PS0160162KH		SPRING PIN 1.6X16						1	
3		SM8030612TP		SET SCREW						2	
4		40074742		DOUBLE_DISK_TAKE_UP_ASSY						1	
5		SL6052592TN		SCREW M5 L=25						4	
6		40074775		COUPLING						1	
7		SM80608A2TP		SCREW M6 L=8						4	
8		SM8050412TP		SCREW M5 L=4						2	
9		40074746		COVER_THREAD_TAKE_UP_ASSY						1	
10		SM8050412TP		SCREW M5 L=4						2	
11		40074750		MAIN_SHAFT_COUPLING_ASSY						1	
12		40074751		SHAFT_COUPLING_A				*		1	
13		40068425		SHAFT COUPLING B				*		1	
14		40068424		WASHER PLATE				*		1	
15		40068601		SPOT SCREW				*		2	
16		40070353		SCREW				*		3	
17		SM8050812TP		SCREW M5X8				*		4	
18		40074739		PULLEY	FOR CLUTCH					1	
19		SM8060612TP		SCREW M6 L=6	FOR CLUTCH					2	
20		SB120002200		BEARING	FOR CLUTCH					1	
21		40068427		COLLAR						2	
22		SM8050812TP		SCREW M5X8						4	
23		40068426		OIL PUMP DRIVING GEAR						1	
24		SM6030850TP		SCREW M3 L=8						3	
25		40074754		RETAINING_PLATE						1	
26		SM2750750TP		SCREW M3.5 L=7						2	
27		40074755		CARRIER_AND_HOOK_DRIVING_BLOCK						1	
28		B210348100A		BEARING	SELECTIVE PARTS					1	
29		B210348100B		BEARING	SELECTIVE PARTS					1	
30	D	B210348100C		BEARING	SELECTIVE PARTS					1	
31		40074756		NEEDLE_LEVER_CONNECTING_ROD_ASSY						1	
32		SM6051450TP		SCREW M5 L=14				*		2	
33		40074867		CRANK_SHAFT_B						1	
34		40074169		DD_COVER_RUBBER_CUSHION						1	
35		EA9500B0100		CABLE BAND						1	
36		40098433		BASE_EXTENSION						1	
37		40098432		TIMING_BELT						1	
38		SM6051250TP		SCREW M5 L=12	FOR CLUTCH					4	
39		40075304		NEEDLE BEARING A	SELECTIVE PARTS					1	
40		40075305		NEEDLE BEARING B	SELECTIVE PARTS					1	
41		40075306		NEEDLE BEARING C	SELECTIVE PARTS					1	
42		40075307		NEEDLE BEARING D	SELECTIVE PARTS					1	
43		SM4041055SP		SCREW						2	
44		40098428		DD_BEARING_ASSY						1	
45		SM80608A2TP		SCREW M6 L=8				*		2	

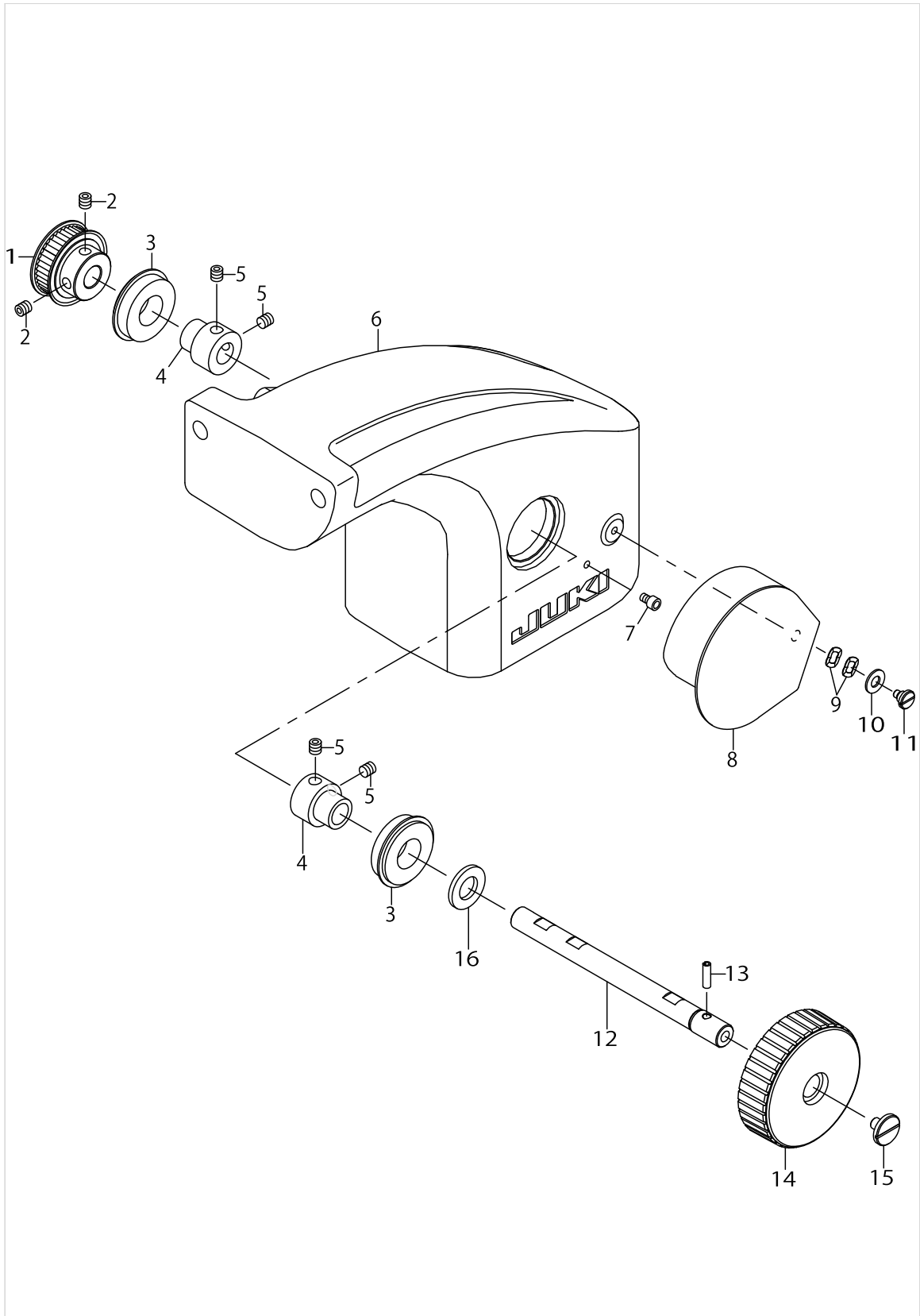
MAIN SHAFT & DIRECT DRIVE UNIT COMPONENTS (1)



MAIN SHAFT & DIRECT DRIVE UNIT COMPONENTS (1)

No.	Supply Code	Parts No.	Replacement	Parts name	Remarks	Choice	Step	Level	Cons	Qty	Rep. QTY
46		40074183		DD_MOTOR_PULLEY_COATING						1	
47		SM80608A2TP		SCREW M6 L=8						2	
48		40074869		DD_MOTOR_BASE_B_COATING						1	
49		SM6055002TP		SCREW M5 L=50						4	
50		13301908		DOWEL_PIN						2	
51		13302500		DOWEL_PIN_2						2	
52		40074159		AC_SERVO_MOTOR						1	
53		40074182		DD_MOTOR_COVER_COATING						1	

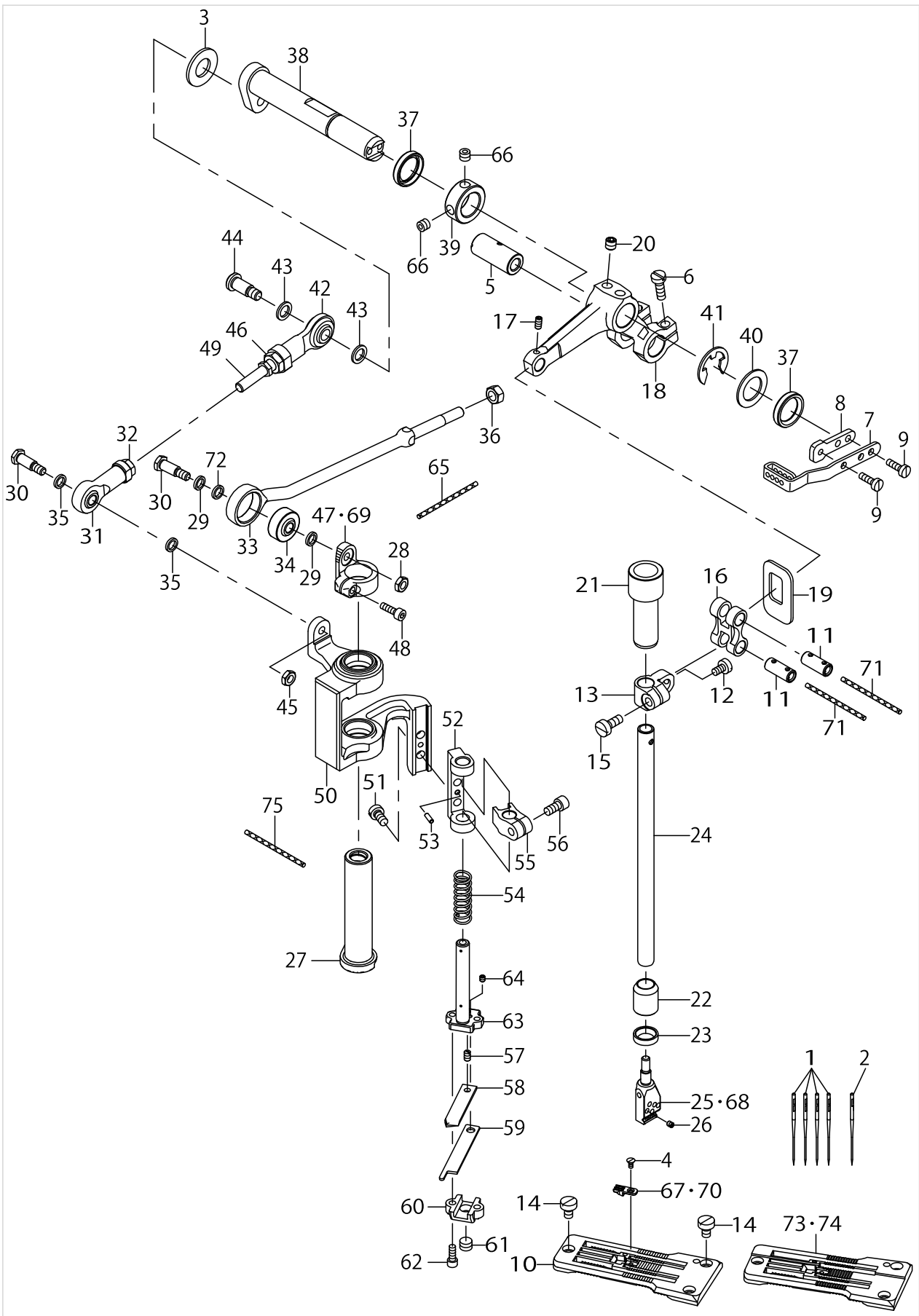
MAIN SHAFT & DIRECT DRIVE UNIT COMPONENTS (2)



MAIN SHAFT & DIRECT DRIVE UNIT COMPONENTS (2)

No.	Supply Code	Parts No.	Replacement	Parts name	Remarks	Choice	Step	Level	Cons	Qty	Rep. QTY
1		40098440		LOWER_SPROCKET_ASSY						1	
2		SM80606A2TP		SCREW M6 L=6						2	
3		SB117000400		BEARING						2	
4		23618606		BEARING SUPPORT						2	
5		SS8660612TP		SCREW 1/4-40 L=6						4	
6		40074895		DD_CLUTCH_BASE_B_COATING						1	
7		SM6040602TN		BOLT						1	
8		40098442		HAND_PULLEY_COVER_ASSY						1	
9		WZ0641510KP		WAVED WASHER 6.4X11X0.3						2	
10		WP0621016SD		WASHER 6.2X13X1						1	
11		SD0600326TP		SHOULDER SCREW D6 H3.2						1	
12		40098439		HAND_PULLEY_SHAFT						1	
13		PS0400142KH		SPRING PIN 4X14						1	
14		B1212210D00		PULLEY						1	
15	D	A123050000A		SET-SCREW						1	
16		WP1302501SC		WASHER 13X24X2.5						1	

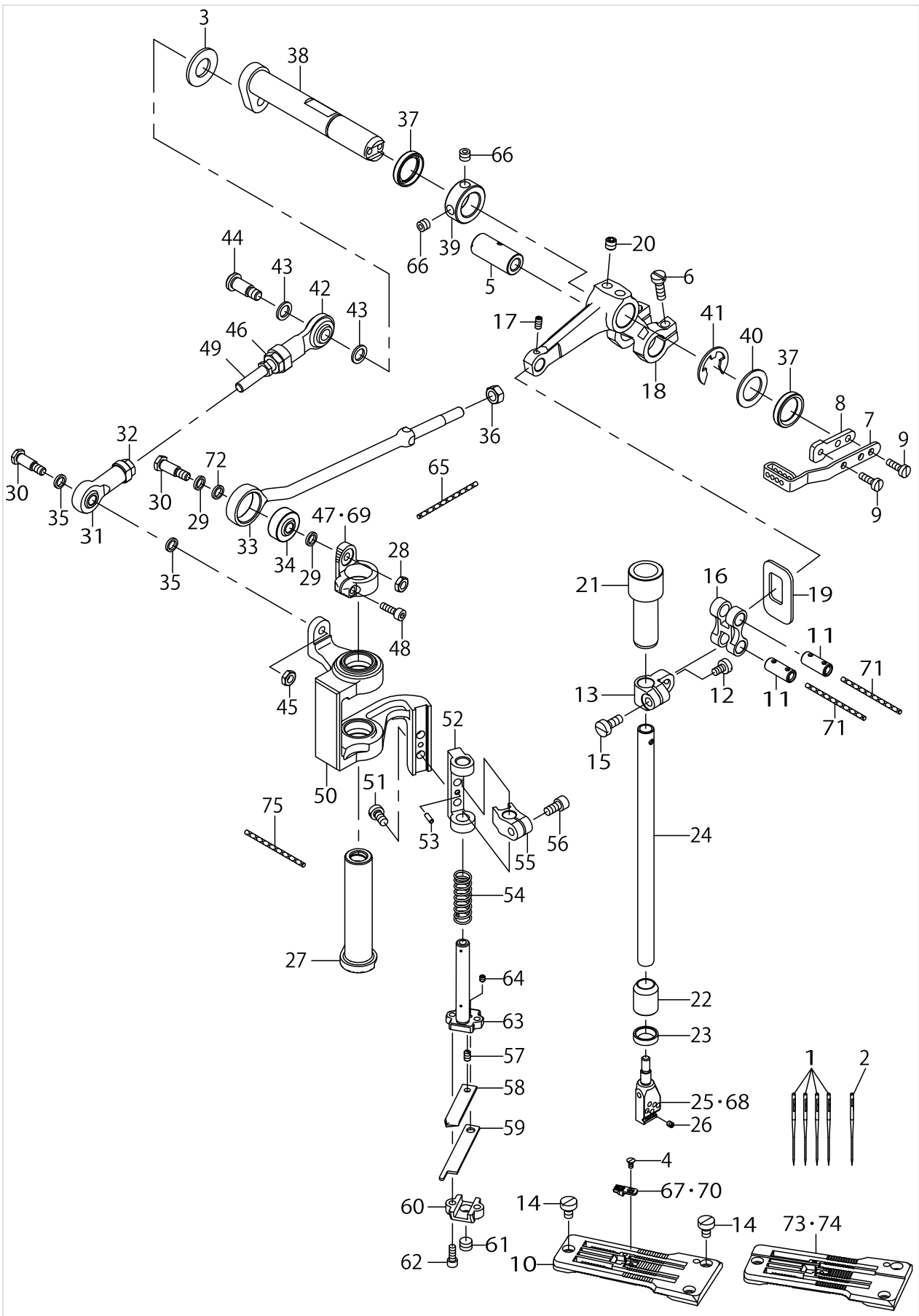
NEEDLE BAR & KNIFE DRIVE COMPONENTS



NEEDLE BAR & KNIFE DRIVE COMPONENTS

No.	Supply Code	Parts No.	Replacement	Parts name	Remarks	Choice	Step	Level	Cons	Qty	Rep. QTY
1		MFL118B1000		NEEDLE FLX118GCS #10						4	
2		MFLG80B0800		NEEDLE FLG-8 RETAINER#8						1	
3		G5313172000		SLIDE SHAFT RUBBER						1	
4		SM1020450TH		SCREW						1	
5		40074759		NEEDLE_LEVER_CO- NNECTING_ROD_PIN						1	
6		SM6041200SP		SCREW M4 L=12						2	
7		40074249		THREAD_TAKE_UP_LEVER						1	
8		40074250		THREAD_TAKE_UP_LEVER_STUD						1	
9		SM6030800SP		SCREW M3X0.5 L=8						3	
10		40074490		THROAT_PLATE_A						1	
11		40067133		LINK PIN						2	
12		SM67506A0TP		SCREW M3.5 L=6						1	
13		40074251		NEEDLE_BAR_CONNECTION						1	
14		SM6040660TP		SCREW M4 L=6						3	
15		SM6041000SP		SCREW M4 L=10						1	
16		40074252		NEEDLE_LEVER_LINK						1	
17		SM8030612TP		SET SCREW						1	
18		40074761		NEEDLE_LEVER						1	
19		40074762		NEEDLE_LEVER_SHIELD						1	
20		SM8050512TP		SCREW						2	
21		40074253		NEEDLE_BAR_BUSHING_UPPER						1	
22		40074254		NEEDLE_BAR_BUSHING_LOWER						1	
23		40074772		OIL_SEAL						1	
24		40074255		NEEDLE_BAR						1	
25		40074256		NEEDLE_HEAD_52	FOR 5.2MM					1	
26		SM8850350TP		SCREW M2.5 L=3					☆	5	
27		40074452		CARRIER_HOOK_DRIVING_SLEEVE						1	
28		NM6040003SC		NUT M4X0.7 TYPE3						1	
29		13412705		SPACER						2	
30		40074454		SCREW						2	
31		40093290		ROD_END						1	
32		NM6050003SC		NUT M5X0.8 TYPE3						1	
33		40074455		CARRIER_HOOK_DRIVING_ROD						1	
34		16556508		SPRIT						1	
35		13412705		SPACER						2	
36		NM6050002SC		NUT M5X0.8 TYPE2						1	
37		40074457		OIL_SEAL						2	
38		40074458		KNIFE_DRIVE_LEVER						1	
39		40074773		THRUST_COLLAR						1	
40		40074774		THRUST_WASHER						1	
41		RE1000000K0		E-RING 10						1	
42		40109081		ROD_END						1	
43		WP0621026SP		WASHER 6.2X9.5X1						2	
44		SD0601036TP		SHOULDER SCREW D=6 H=10.3						1	
45		NM6040003SC		NUT M4X0.7 TYPE3						1	
46		NM6060003SC		NUT M6X1 TYPE3						1	

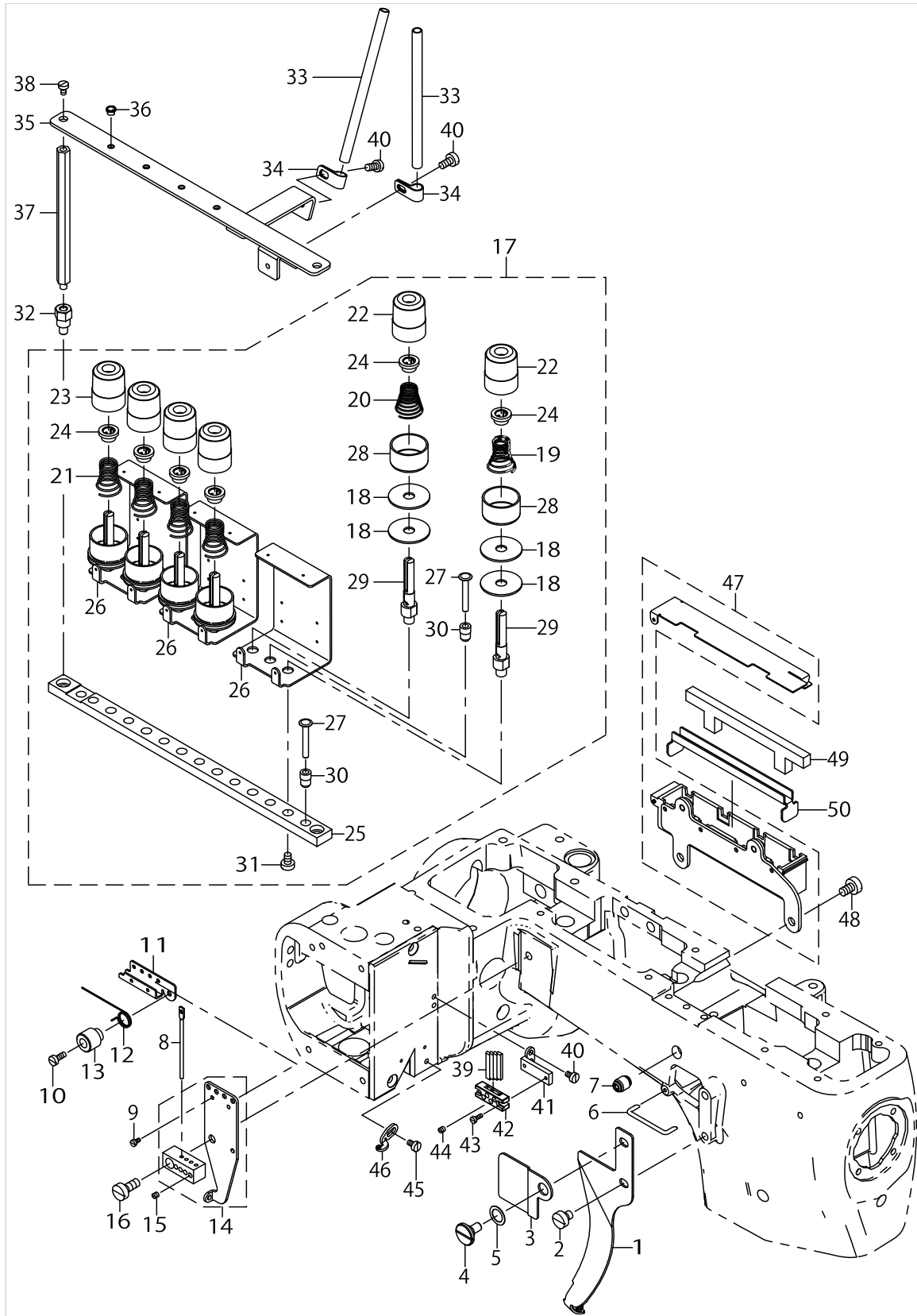
NEEDLE BAR & KNIFE DRIVE COMPONENTS



NEEDLE BAR & KNIFE DRIVE COMPONENTS

No.	Supply Code	Parts No.	Replacement	Parts name	Remarks	Choice	Step	Level	Cons	Qty	Rep. QTY
47		40074460		SLEEVE_DRIVING_LEVER_52	FOR 5.2MM					1	
48		SM6031002TP		SCREW M3X0.5 L=10						1	
49		40074461		KNIFE_DRIVE_STUD						1	
50		40074471		KNIFE_DRIVE_BRACKET_ASSY						1	
51		SM6040800SP		SCREW						2	
52		40074453		KNIFE HOLDER_GUIDE_BASE						1	
53		13377304		PIVOT_PIN						1	
54		40074464		KNIFE HOLDER_SPRING						1	
55		40074465		KNIFE HOLDER_GUIDE_COLLAR						1	
56		SM6040802TP		SCREW M4X0.7 L=8						1	
57		40074466		SCREW						1	
58		40074467		KNIFE_SUPPORT						1	
59		40074468		KNIFE_UPPER					☆	1	
60		40074469		KNIFE HOLDER						1	
61		SM8480452TP		SCREW M6X0.75 L=4						1	
62		SM6030802TP		SCREW M3X0.5 L=8						2	
63		40074470		KNIFE HOLDER_SHANK						1	
64		SM8850302TP		SCREW M2.5X0.45 L=3						1	
65		CQ200000000		COTTON OIL WICK D=2						1	
66		SM8050412TP		SCREW M5 L=4						2	
67		40074491		STITCH_TONGUE_A	FOR 5.2MM				☆	1	
68		40074258		NEEDLE_HEAD_60	FOR 6MM					1	
69		40074473		SLEEVE_DRIVING_LEVER_60	FOR 6MM					1	
70		40074528		STITCH_TONGUE_B	FOR 6MM				☆	1	
71		CQ303000000		OIL WICK						.2	
72		13412705		SPACER	FOR 6MM					1	
73		40074574		THROAT_PLATE_STEP	FOR L211					1	
74		40074597		THROAT_PLATE_STEP_128	FOR L210					1	
75		CQ200000000		OIL WICK						1	

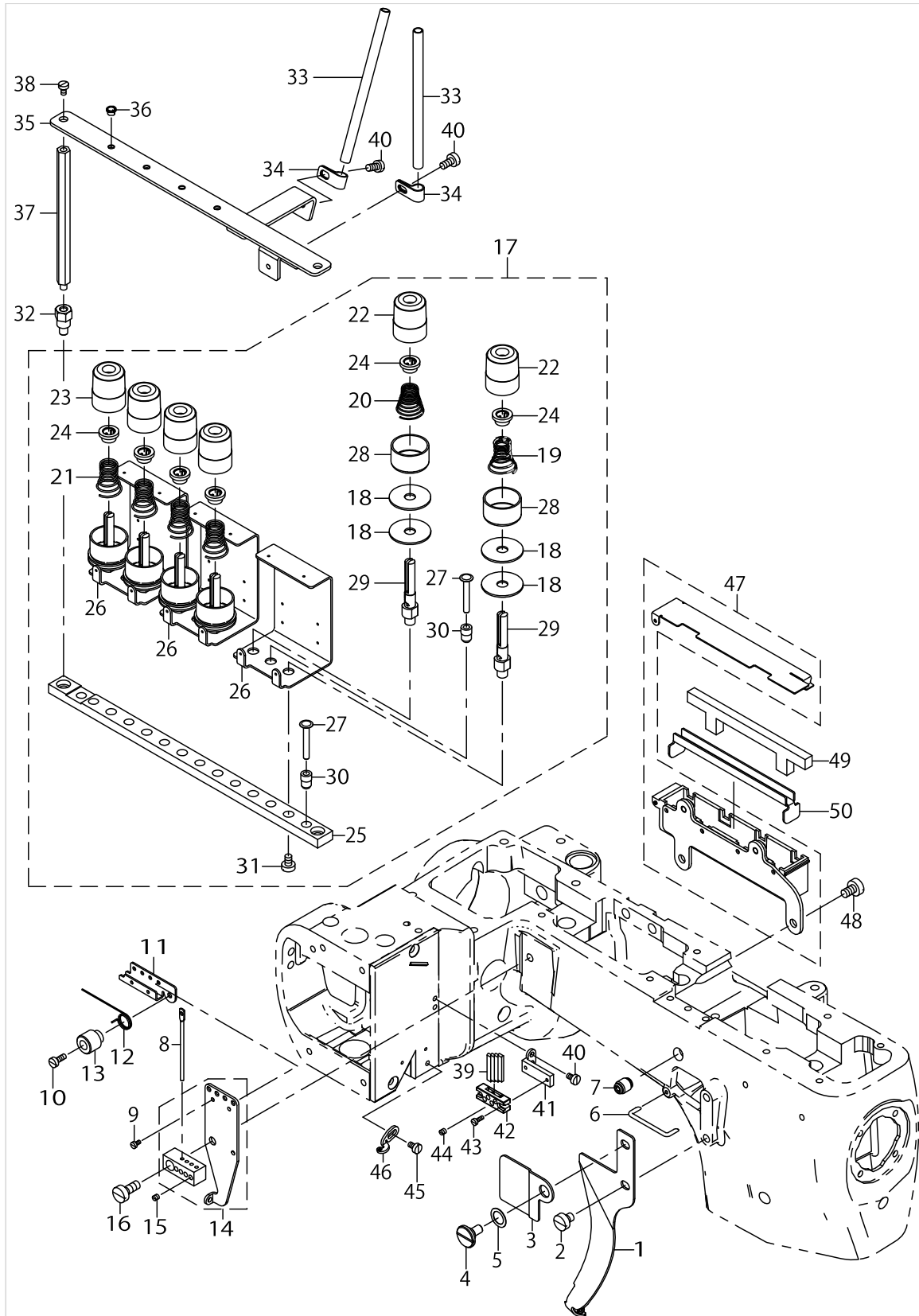
THREAD TENSION COMPONENTS



THREAD TENSION COMPONENTS

No.	Supply Code	Parts No.	Replacement	Parts name	Remarks	Choice	Step	Level	Cons	Qty	Rep. QTY
1		40074315		THREAD_SHIELD_ASSY						1	
2		SM6050610SC		SCREW M5X0.8 L=6						1	
3		40074432		THREAD_SHIELD_PLATE_COVER						1	
4		SD0800327TP		SHOULDER SCREW D=8 H=3.2						1	
5		WZ0850302K0		WAVED WASHER 8.5X12.5X0.3						1	
6		40074328		THREAD_GUIDE_WIRE						1	
7		40074329		THREAD_GUIDE						1	
8		40074316		NEEDLE_THREAD_EYELET						4	
9		SM6020460TP		SCREW						2	
10		SM6030800SP		SCREW M3X0.5 L=8						1	
11		40074317		STITCH_UNLOCKER- _MOUNTUNG_BRACKET						1	
12		40074318		UNLOCKING_SPRING						1	
13		40074319		SPRING HOLDER						1	
14		40074322		FRAME_NEEDLE_THREAD_EYELET						1	
15		SM8030350TP		SCREW						4	
16		SM6051260SP		SCREW M5 L=12						1	
17		40074411		TENSION_ASSY						1	
18		13138201		THREAD TENSION DISK				*		12	
19		13138508		THREAD TENSION SPRING				*		1	
20		13138805		THREAD TENSION SPRING				*		1	
21		13140504		TENSION SPRING				*		4	
22		40042363		KNOB				*		2	
23		40042364		KNOB GREEN				*		4	
24		40042365		SPRING BUSHING				*		6	
25		40074330		TENSION_SUPPORT				*		1	
26		40074331		TENSION_THREAD_EYELET				*		3	
27		40074332		TENSION_DISC_PIN				*		7	
28		40074333		SHIELD_FOR_TENSION_SPRING				*		6	
29		40074334		TENSION_POST				*		6	
30		40074373		BUSHING				*		7	
31		SM6040650TP		SCREW				*		6	
32		40074336		SCREW_POST						2	
33		40074337		EYELET_TUBE						2	
34		40074338		EYELET_TUBE HOLDER						2	
35		40074339		EYELET_PLATE						1	
36		B1908505000		THREAD PASS BUSH						4	
37		E3762725000		CSP LIGHT STUD						2	
38		SM6030500SN		SCREW M3 L=5						2	
39		40074340		NEEDLE_THREAD_STRIKE_OFF_PIN						4	
40		SM6030500SN		SCREW M3 L=5						4	
41		40074341		NEEDLE_THREAD_TAKE_UP						1	
42		40074393		STRIKE_OFF_PIN HOLDER_ASSY						1	
43		SM6020600TP		SCREW						2	
44		SM8030350TP		SCREW					☆	4	
45		SM6030500SN		SCREW M3 L=5						1	
46		40074344		COVER_THREAD_EYELET						1	

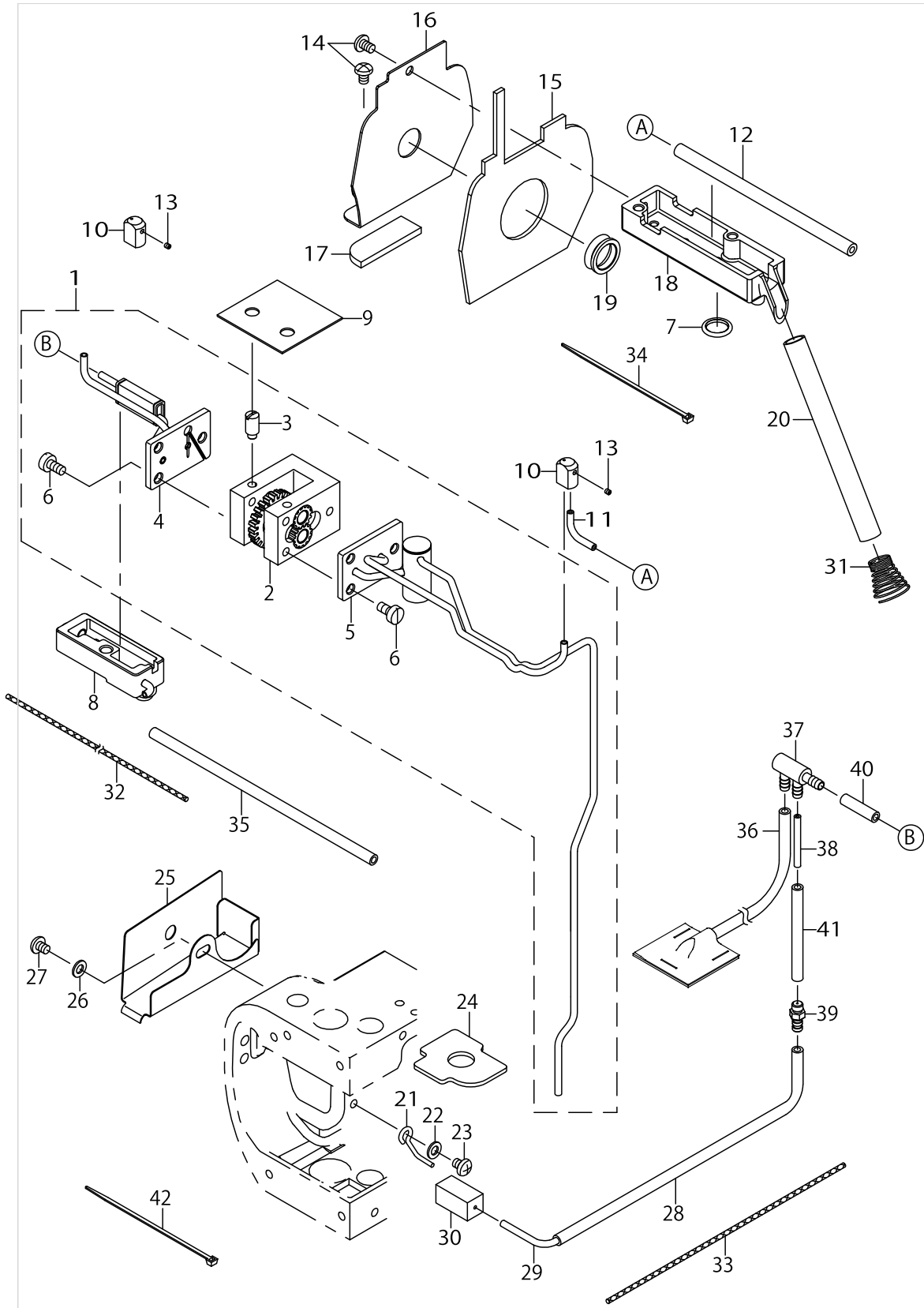
THREAD TENSION COMPONENTS



THREAD TENSION COMPONENTS

No.	Supply Code	Parts No.	Replacement	Parts name	Remarks	Choice	Step	Level	Cons	Qty	Rep. QTY
47		40074345		SILICONE_TANK_ASSY						1	
48		SM6050800SP		SCREW M5 L=8						2	
49		40074049		SILICONE_TANK_FELT						1	
50		40074382		FELT_SUPPORT						1	

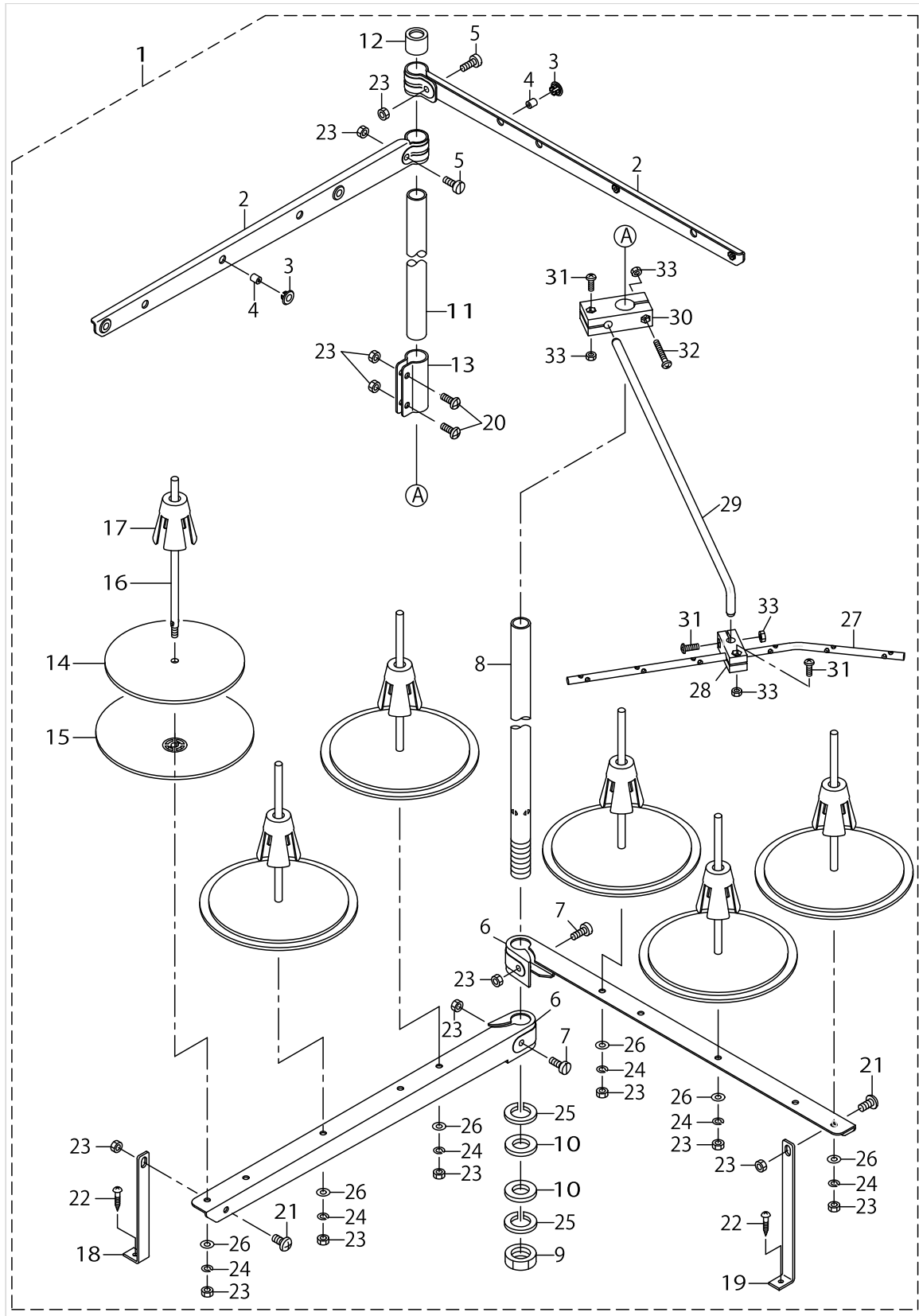
OIL LUBRICATION COMPONENTS



OIL LUBRICATION COMPONENTS

No.	Supply Code	Parts No.	Replacement	Parts name	Remarks	Choice	Step	Level	Cons	Qty	Rep. QTY
1		40074349		OIL_PUMP_ASSY						1	
2	R	40074300	40074349	PUMP_GEAR_ASSY				*		1	1.00
3	R	40074350	40074349	VENT_SCREW				*		2	1.00
4	R	40074351	40074349	OIL_PIPE_REAR_ASSY				*		1	1.00
5	R	40074358	40074349	OIL_PIPE_FRONT_ASSY				*		1	1.00
6		SM6040870SP		SCREW				*		6	
7		RO098190100		O-RING						1	
8		40074438		OIL_RESERVOIR_BACK						1	
9		40067116		GASKET						1	
10		40074364		OIL_SPLITTER_BLANK						2	
11		40074365		OIL_SPLITTER_PIPE						1	
12		23630007		TUBE						.11	
13		SM8020202UZ		SCREW						2	
14		SM4040655SP		SCREW M4 L=6						2	
15		40074396		GASKET						1	
16		40074395		TAKE_UP_SHIELD						1	
17		40067120		FELT						1	
18		40074390		OIL_RESERVOR_FRONT						1	
19		40067123		OIL SEAL RING						1	
20		23630106		TUBE B						.11	
21		40074367		OIL_DEFLECTOR_WIRE						1	
22		WP0430800SC		WASHER M4						1	
23		SM4040501SN		SCREW M4X0.7 L=5						1	
24		40074368		FELT						1	
25		40074370		OIL_GUARD						1	
26		WP0430800SC		WASHER M4						1	
27		SM4040501SN		SCREW M4X0.7 L=5						1	
28		23630007		TUBE						.16	
29		40074326		OIL_PIPE						1	
30		40074727		OIL_INTAKE_FELT_ADD_PROCESS						1	
31		13140504		TENSION SPRING						1	
32		CQ200000000		OIL WICK						.9	
33		CQ200000001		OIL WICK						.15	
34		EA9500B0100		CABLE BAND						1	
35		23630007		TUBE						.14	
36		40082824		FELT ASM.						1	
37		23629504		DISTRIBUTOR						1	
38		CQ2500000F0		OIL WICK						1	
39		SQ2050452MZ		CONNECTING SCREW						1	
40		23630007		TUBE						.02	
41		23630007		TUBE						.05	
42		EA9500B0100		CABLE BAND						1	

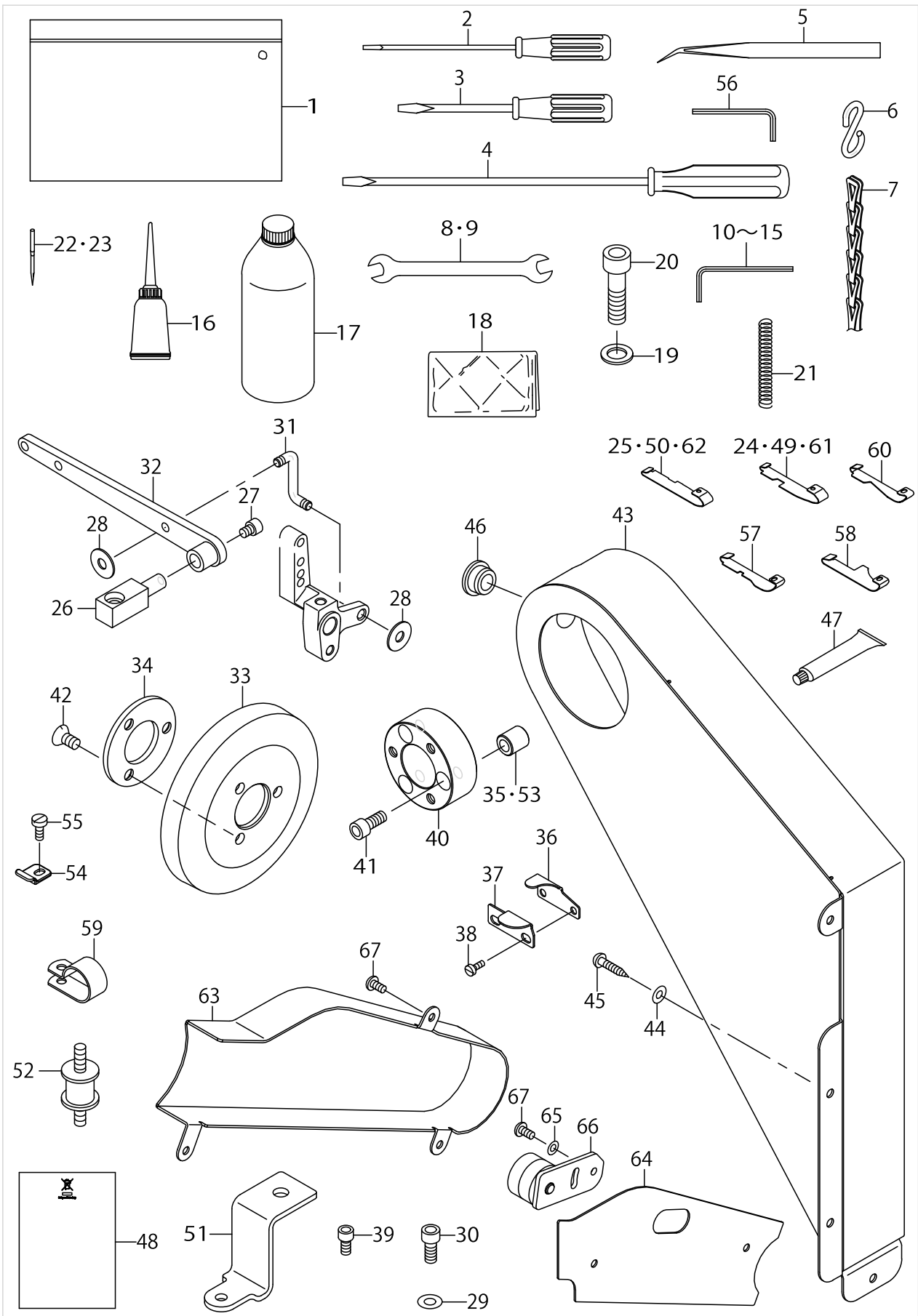
THREAD STAND COMPONENTS



THREAD STAND COMPONENTS

No.	Supply Code	Parts No.	Replacement	Parts name	Remarks	Choice	Step	Level	Cons	Qty	Rep. QTY
1		40106586		THREAD STAND PACKING						1	
2		40106575		SPOOL REST LONG ARM UPPER				*		2	
3		40085795		THREAD GUIDE BUSHING				*		6	
4		40085794		THREAD GUIDE				*		6	
5	R	40096327	SM4053001SE	SPOOL REST ARM UPPER SCREW				*		2	1.00
6		40106574		SPOOL REST LONG ARM LOWER				*		2	
7		40096326		SPOOL REST ARM LOWER SCREW				*		2	
8		40085784		SPOOL REST ROD LOWER				*		1	
9		40096325		SPOOL REST ROD NUT				*		1	
10		40085796		SPOOL REST ROD RUBBER CUSHION				*		2	
11		40085785		SPOOL REST ROD UPPER				*		1	
12		40085793		SPOOL REST ROD RUBBER CAP				*		1	
13		40085792		SPOOL REST ROD JOINT				*		1	
14		40085789		SPOOL REST CUSHION				*		6	
15		40085788		SPOOL REST				*		6	
16		40085790		SPOOL PIN				*		6	
17		40085791		SPOOL RETAINER				*		6	
18		40106577		SPOOL REST ARM LOWER A				*		1	
19		40106578		SPOOL REST ARM LOWER B				*		1	
20		SM4051405SE		SCREW M5 L=14				*		2	
21		SM4051001SE		SCREW M5 L=10				*		2	
22		SK3412001SE		WOOD SCREW D=4.1 L=20				*		2	
23		NM6050001SE		NUT M5X0.8 TYPE1				*		14	
24		WP0531001SC		WASHER M5				*		6	
25		WP1612616SE		WASHER 16X30X2.6				*		2	
26		WS0510002KN		SPRING WASHER M5				*		6	
27		40106583		THREAD GUIDE 6				*		1	
28		40106580		THREAD GUIDE UNDER BASE				*		1	
29		40106576		THREAD GUIDE ARM				*		1	
30		40106579		THREAD GUIDE ARM BASE				*		1	
31		SM4041201SC		SCREW M4X0.7 L=12				*		3	
32		SM4042501SC		SCREW M4X0.7 L=25				*		1	
33	R	NM6040002SC	NM6040002SE	NUT M4X0.7 TYPE2				*		4	1.00

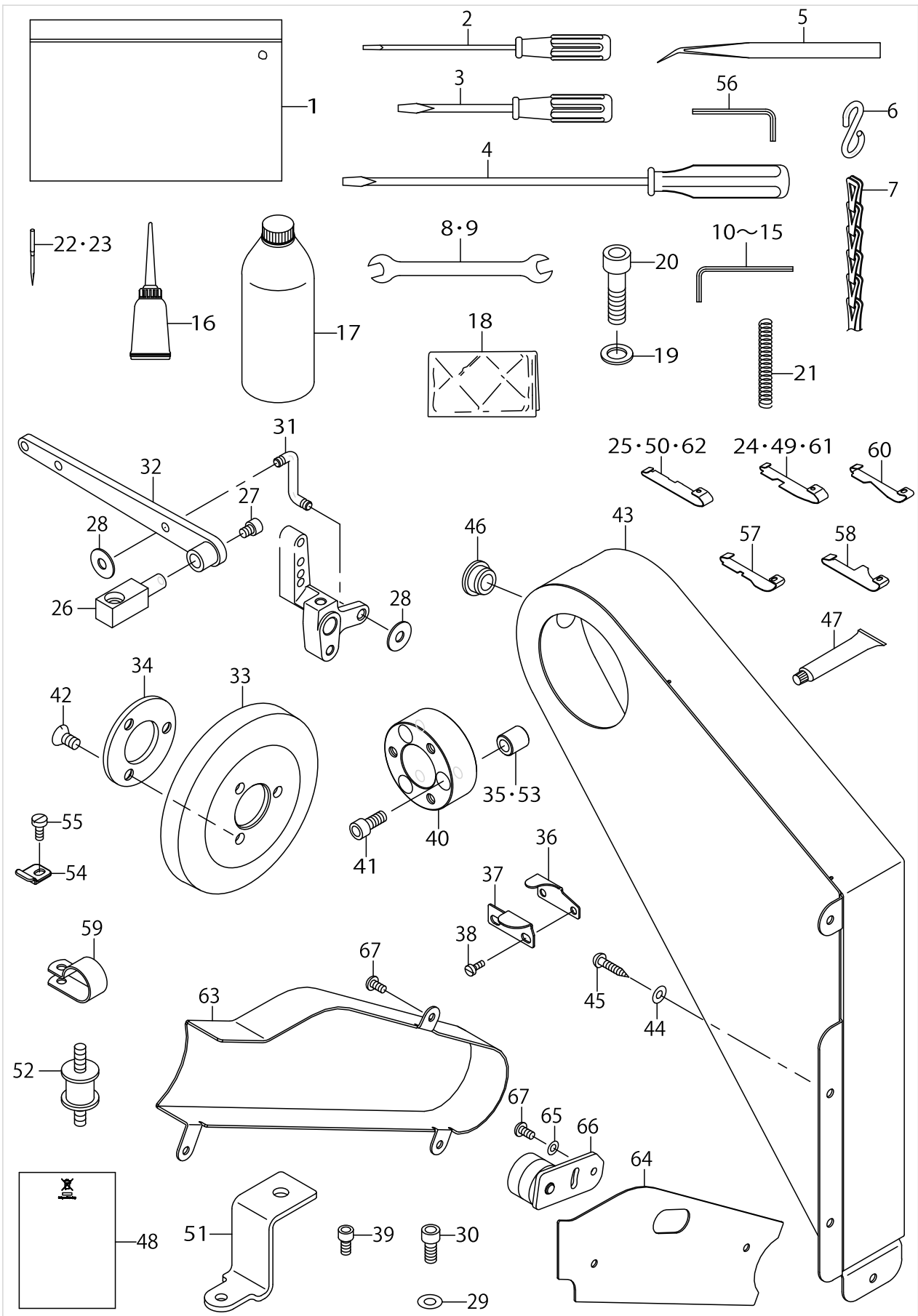
ACCESSORIE PARTS COMPONENTS



ACCESSORIE PARTS COMPONENTS

No.	Supply Code	Parts No.	Replacement	Parts name	Remarks	Choice	Step	Level	Cons	Qty	Rep. QTY
1		22932800		ACCESSORIE BAG						1	
2		12347308		SCREW DRIVER (SMALL)						1	
3		22933105		SCREW DRIVER						1	
4		22933006		SCREW DRIVER						1	
5		12288403		TWEEZERS						1	
6		13160304		S SHAPED HOOK						2	
7		26037903		CHAIN						1	
8		B9143372000		WRENCH (7.1 X 8.1)						1	
9		B9113012000		WRENCH (9X10)						1	
10		40079298		WRENCH						1	
11		J106600000C		HEXAGONAL WRENCH KEY 2.5						1	
12		40055591		HEXAGONAL WRENCH KYE						1	
13		J106600000F		HEXAGONAL WRENCH KEY						1	
14		J106600000G		HEXAGONAL WRENCH KEY						1	
15		40067311		ALLEN WRENCH SIZE 8MM						1	
16		B91210120A0		OILER ASM.						1	
17		MDFRX2001L09		DEFRIX OIL NO.2						1	
18		40048536		HEAD_COVER						1	
19		WP1051416SD		WASHER 10.5X17X1.4						2	
20		SM6103502TP		SCREW M10 L=35						2	
21		40074571		PRESSER_BAR_SPRING						1	
22		MFL118B1005		NEEDLE FLX118GCS #10-5						1	
23		MFLG80B0802		NEEDLE FLG-8 RETAINER#8-2						1	
24		40074962		PRESSER_FOOT_SHOE_N_RIGHT	FOR L100				☆	1	
25		40074963		PRESSER_FOOT_SHOE_N_LEFT	FOR L100				☆	1	
26		40074558		LIFTER_BRACKET						1	
27		SM6050650TP		SCREW M5 L=6						1	
28		RO029180100		O-RING						2	
29		WP0621036SP		WASHER	FOR DD					6	
30		SM6061402TP		SCREW M6 L=14						1	
31		40067238		LIFTER LEVER CONNECTING LINK						1	
32		40067239		PRESSER FOOT CO- NNECTING LIFTER LEVER						1	
33		40068588		HANDWHEEL	FOR CLUTCH					1	
34		40068589		CLAMP PLATE	FOR CLUTCH					1	
35		22962609		REVERSE FEED BASE COLLAR	FOR CLUTCH					3	
36		40074232		CHAIN_CUTTING_KNIFE_GUARD						1	
37		40074233		CHAIN_CUTTING_KNIFE						1	
38		SM6030800SP		SCREW M3X0.5 L=8						2	
39		SM6051002TP		SCREW M5X0.8 L=10						1	
40		40083674		BELTCOVERSPACER	FOR CLUTCH					1	
41		SM6063502TP		SCREW M6 L=35	FOR CLUTCH					3	
42		SS1151310TP		SCREW	FOR CLUTCH					3	
43		40083683		BELT COVER	FOR CLUTCH					1	
44		WP0450826SC		WASHER 4.5X10X0.8	FOR CLUTCH					4	
45		SK3412001SE		WOOD SCREW D=4.1 L=20	FOR CLUTCH					4	
46		TA1470704R0		RUBBER PLUG	FOR CLUTCH					1	

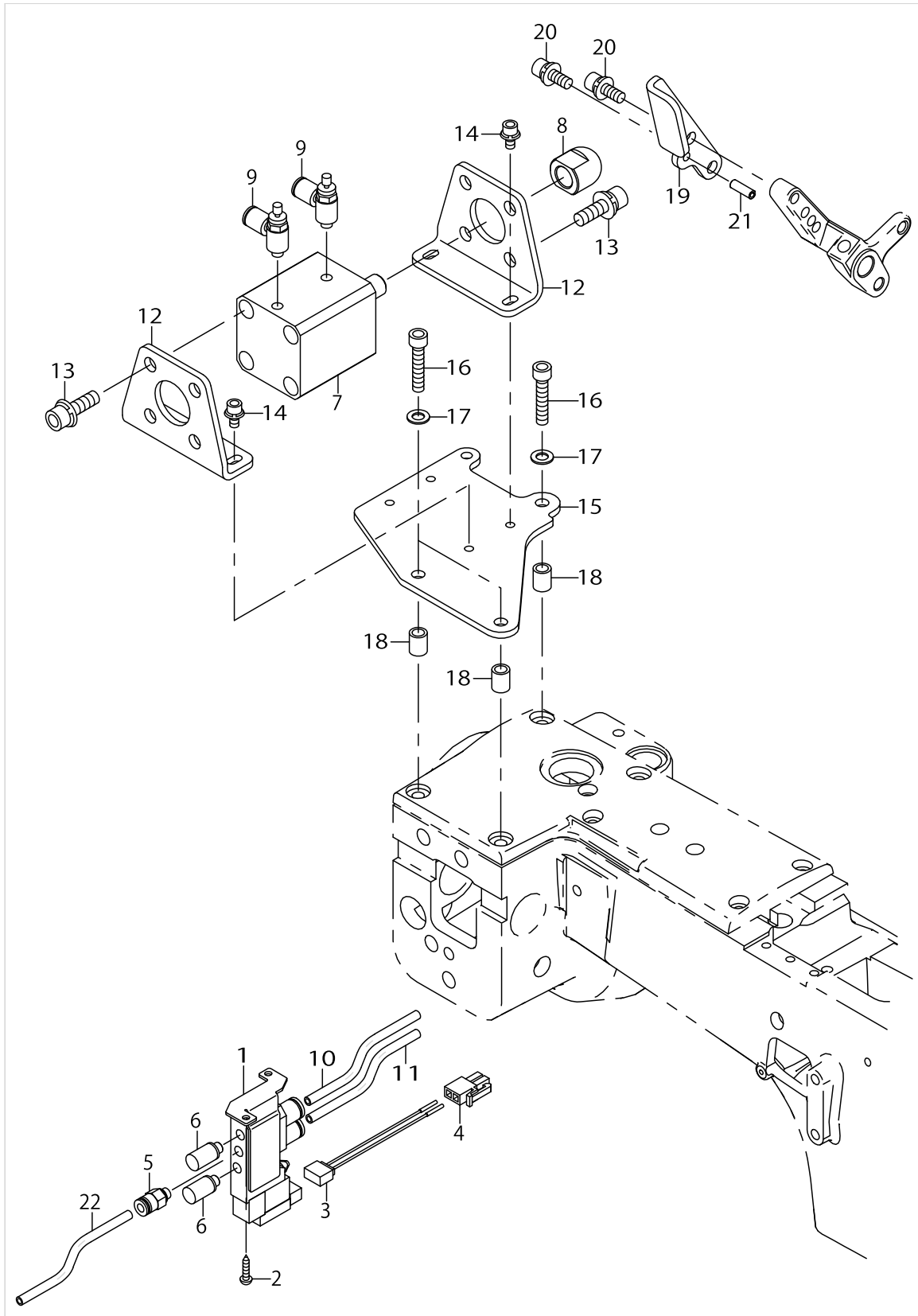
ACCESSORIE PARTS COMPONENTS



ACCESSORIE PARTS COMPONENTS

No.	Supply Code	Parts No.	Replacement	Parts name	Remarks	Choice	Step	Level	Cons	Qty	Rep. QTY
47		40013640		JUKI_GREASE_B_TUBE					☆	1	
48		CM600100201		WEEE INFORMATION SHEET						1	
49		40074516		FRESSER_FOOT_SHOE_AA_RIGHT	FOR L200,L201,L211				☆	1	
50		40074517		FRESSER_FOOT_SHOE_AA_LEFT	FOR L200,L201,L211				☆	1	
51		40074444		CONTROL_BOX_BRACKET	FOR DD					3	
52		40084716		RUBBER MOUNTING	FOR DD					3	
53	R	11228103	22962609	REVERSE FEED BASE COLLAR						3	1.00
54		40074486		EDGE GUIDE	FOR L100					1	
55		SM6041050TP		SCREW	FOR L100					1	
56		J106600000A		HEXAGONAL ROD S-PANNER 1.5MM						1	
57		40074844		PRESSER_FOOT_SHOE_KK_RIGHT	FOR L200,L201					1	
58		40074845		PRESSER_FOOT_SHOE_KK_LEFT	FOR L200,L201					1	
59		HX00150000J		CLIP						1	
60		40074590		FRESSER_FOOT_SHOE_FF_RIGHT	FOR L211					1	
61		40074929		PRESSER_FOOT_SHOE_GG_RIGHT	FOR L210					1	
62		40074613		FRESSER_FOOT_SHOE_DD_LEFT	FOR L210					1	
63		40098445		BELT_COVER_ASSY						1	
64		40098448		BELT_COVER_C						1	
65		WP0450801SP		WASHER						1	
66		40098434		IDOLER_ASSY						1	
67		SM4040855SP		SCREW						7	

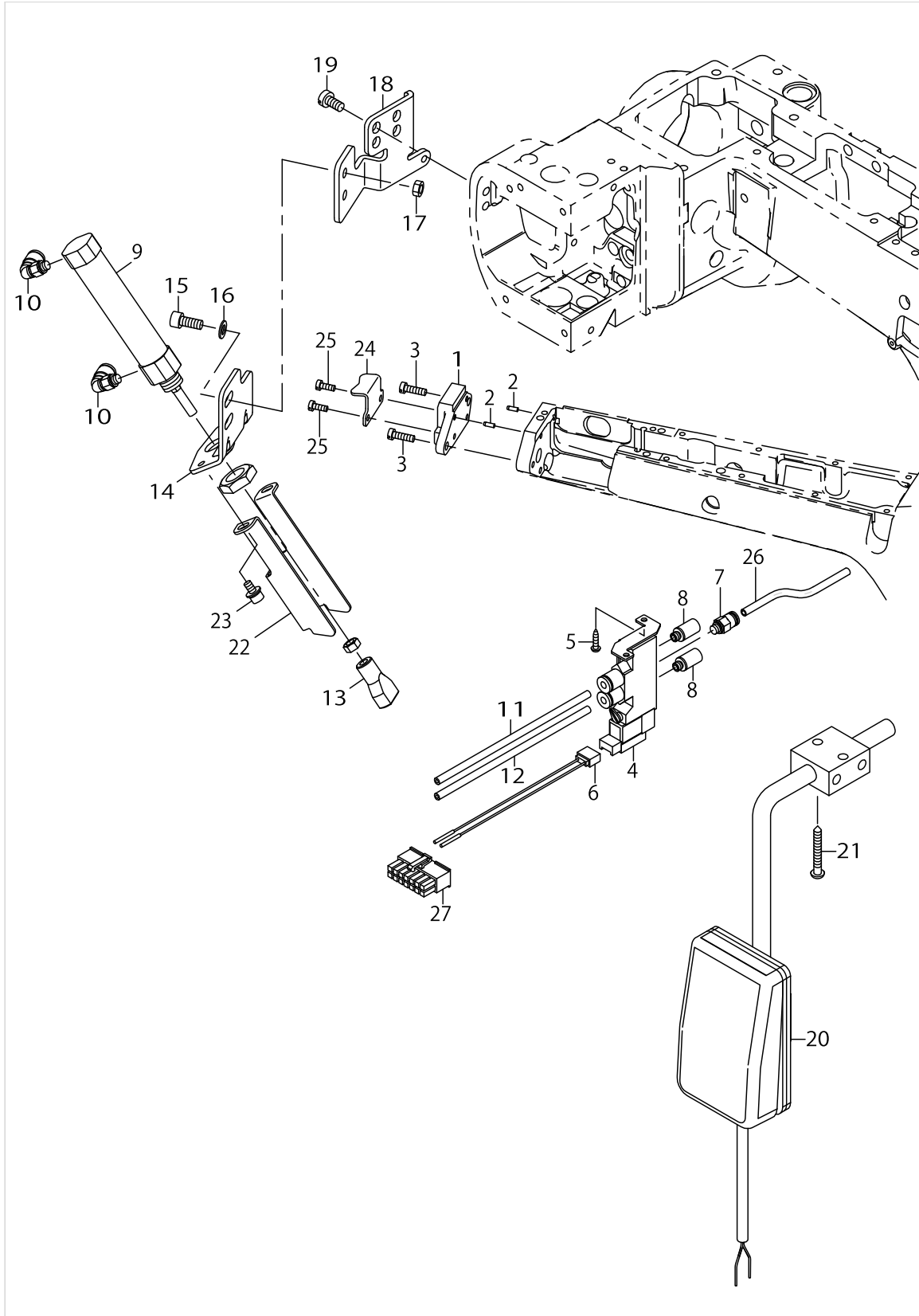
PRESSER LIFTER SET (OPTION)



PRESSER LIFTER SET (OPTION)

No.	Supply Code	Parts No.	Replacement	Parts name	Remarks	Choice	Step	Level	Cons	Qty	Rep. QTY
1		PV1502060A0		5 PORT SOLENOID VALVE						1	
2		SK3271301SE		WOOD SCREW D=2.7 L=13						2	
3		40032964		AIR VALVE CABLE ASM						1	
4		HK034610020		CONNECTOR						1	
5		PJ301040502		HALF UNION 4XM5						1	
6		PX050501000		SILENCER						2	
7		PA2502507A0		AIR CYLINDER						1	
8		13455100		AIR_CYLINDER_CAP						1	
9		PC010508000		SPEED CONTROLLER						2	
10		BT0400251EB		URETHANE TUBE BLACK 4X2.5						1	
11		BT0400251EB		URETHANE TUBE BLACK 4X2.5						1	
12		40074430		CYLINDER_BRACKET_A						2	
13		SL6062092TN		SCREW M6 L=20						8	
14		SL6040892TN		SCREW M4 L=8						4	
15		40074431		CYLINDER_BRACKET_B						1	
16		SM6052502TP		SCREW M5X0.8 L=25						3	
17		WP0550800SP		WASHER 5.5X10X0.8						3	
18		D5119206K0K		SPACER						3	
19		40074402		CYLINDER_PLATE						1	
20		SL6051492TN		SCREW M5 L=14						2	
21		PS0400122KP		SPRING PIN						1	
22		BT0400251EB		URETHANE TUBE BLACK 4X2.5						.5	

CHAIN OFF THREAD TRIMMER SET (OPTION)



CHAIN OFF THREAD TRIMMER SET (OPTION)

No.	Supply Code	Parts No.	Replacement	Parts name	Remarks	Choice	Step	Level	Cons	Qty	Rep. QTY
1		40074265		CHAIN_OFF_THREAD_TRIM_BASE						1	
2		B1826232000		POSITIONING PIN						2	
3		SM6751260TP		SCREW M3.5 L=12						2	
4		PV1502060A0		5 PORT SOLENOID VALVE						1	
5		SK3271301SE		WOOD SCREW D=2.7 L=13						2	
6		40032964		AIR VALVE CABLE ASM						1	
7		PJ301040502		HALF UNION 4XM5						1	
8		PX050501000		SILENCER						2	
9		PA1604508A0		ROD ROLLING STOPPER CYLINDER						1	
10		PJ304040504		UNION						2	
11		BT0400251EB		URETHANE TUBE BLACK 4X2.5						1	
12		BT0400251EB		URETHANE TUBE BLACK 4X2.5						1	
13		40074272		CHAIN_OFF_TRIM_HEAD						1	
14		40074273		AIR_CYLINDER_STUD_A						1	
15		SM6051202TP		SCREW M5X0.8 L=12						2	
16		WP0550800SP		WASHER 5.5X10X0.8						2	
17		NM6050001SP		NUT M5X0.8 TYPE1						2	
18		40074274		AIR_CYLINDER_STUD_B						1	
19		SM6051000SP		SCREW						4	
20		40004065		KNEE SWITCH ASM.						1	
21		SK3413201SE		WOOD SCREW D=4.1 L=32						2	
22		40074278		CHAIN_OFF_TRIM_COVER						1	
23		SL6040892TN		SCREW M4 L=8						2	
24		40074769		CHAIN_OFF_THREAD_GUIDE						1	
25		SM6030800SP		SCREW M3X0.5 L=8						2	
26		BT0400251EB		URETHANE TUBE BLACK 4X2.5						.5	
27		HK034610140		CONNECTOR						1	

FRAME EXCLUSIVE COMPONENTS (1)

No.	Supply Code	Parts No.	Replacement	Parts name	Remarks	Choice	Step	Level	Cons	Qty	Rep. QTY
2		SL6043092TN		SCREW M4 L=30						2	
3		GAT27010000		COLLAR						2	
4		40074297		SUCTION_PIPE_BRACKET_B						1	
5		SD0800327TP		SHOULDER SCREW D=8 H=3.2						1	
6		NM6050001SP		NUT M5X0.8 TYPE1						1	
7		PS0200062KP		SPRING PIN						1	
8		40074298		SPRING_PLATE						1	
9		SM6040552TP		SCREW M4 L=4.5						2	
10		40074403		SUCTION_PIPE_BRACKET_C						1	
11		SL6041092TN		SCREW M4 L=10						2	
12		40074404		SUCTION_PIPE_BRACKET_D						1	
13		SL6041092TN		SCREW M4 L=10						1	
14		SM8031002TP		SCREW						2	
15		40074409		SUCTION_PIPE_1_ASSY						1	
16		40043839		SUCTION_PIPE_JOINT_ASSY						1	
17		40043800		SUCTION_PIPE_JOINT				*		1	
18		40043815		SUCTION_PIPE_NUT				*		1	
19		SM4041055SP		SCREW				*		1	
20		40074410		SUCTION_PIPE_2_ASSY						1	
21		E1353172000		HOSE BAND						1	
22		40059579		HOSE						1	
23		BT0600401EB		URETHANE TUBE BLACK 6X4						.2	
24		EA9500B0100		CABLE BAND						2	
25		PC012601000		SPEED CONTROLLER						1	
26		BT0600401EB		URETHANE TUBE BLACK 6X4						1	
27		40049213		SOLENOID VALVE						1	
28		PJ301065201		HALF UNION 6XPT1/4						2	
29		HK034610140		CONNECTOR						1	
30		HK03464000B		TERMINAL						2	
31		BT0600401EB		URETHANE TUBE BLACK 6X4						1	
32		40074302		FILTER_ASM						1	
33		F1003003000		FILTER BRACKET						1	
34		F1004003000		PIPE GRIP						1	
35		TA2050406R0		RUBBER PLUG						1	
36		SK3452500SC		WOOD SCREW D=4.5 L=25						8	

LIST FOR INFORMATION OF CHANGE (1)

As to the place changed, refer to the corresponding Rev.No.
 When previous parts(Obsoleted part)and new parts(Added parts)are
 not interchangeable with each other:
 In this case,even obsoleted parts(D.)can be ordered with the
 obsoleted part number,so select the parts with changed dates and
 place your orders.

変更箇所は、該当Rev.No.版をご参照ください。
 部品の互換性がない変更の場合は、削除された品番でも、ご注文できます。

40074477
 No.1555-01 Rev.No.

*A:Added parts追加部品/D:Obsoleted parts削除部品/E:Erratum訂正

* Rev. No.	Page 頁	Ref. No.	Parts No. 品番	* Rev. No.	Page 頁	Ref. No.	Parts No. 品番
D 00	2	7	SM-4040455-SP	A 01	2	7	SM-6040450-TP
D 00	2	8	SM-4040455-SP				
				A 01	2	8	400-74437
D 00	2	35	400-66883	A 01	2	35	401-12855
D 00	2	52	400-74440	A 01	2	52	400-74535
D 00	2	59	400-66897	A 01	2	59	401-12856
D 00	4	22	400-66968	A 01	4	22	401-12857
D 00	4	32	SM-1030400-SP	A 01	4	32	SM-1030501-SC
D 00	6	3	400-68467	A 01	6	3	400-74689
				A 01	8	2	400-74596
				A 01	10	44	400-74464
D 00	12	14	400-74493	A 01	12	14	400-74588
D 00	12	25	400-74497	A 01	12	25	400-74479
D 00	12	27	400-74502				
				A 01	12	27	400-74584
D 00	12	45	SM-6030350-SD	A 01	12	45	SM-6030350-TP
D 00	12	47	SM-6050800-SP	A 01	12	47	SM-8050812-TP
				A 01	12	62	400-74583
D 00	14	34	400-74415				
D 00	14	35	SQ-2050453-MZ				
D 00	14	36	WP-0500916-SD				
D 00	14	37	236-29306				
				A 01	16	16	WP-1302501-SC
D 00	18	31	169-60205	A 01	18	31	400-93290
D 00	18	42	183-47500	A 01	18	42	401-09081
				A 01	18	75	CQ-2000000-00
D 00	20	49	400-74347	A 01	20	49	400-74049
				A 01	22	36	400-82824
				A 01	22	37	236-29504
				A 01	22	38	CQ-2500000-F0
				A 01	22	39	SQ-2050452-MZ
				A 01	22	40	236-30007
				A 01	22	41	236-30007
				A 01	22	42	EA-9500B01-00
D 00	24	1	400-72506	A 01	24	1	401-06586
D 00	26	24	400-74518	A 01	26	24	400-74962

HOW TO MAKE USE OF THIS PARTS LIST

1.Explanation of codes

1)"*"mark.....means this part is changed from the previous parts book.

As to the details of the change, refer to the "List for information of change".

2)"#01".....refer to "Note" explanation at bottom of page.

2.Codes on the "Qty" column

- Each numeral indicates the number of parts required.
- "0.1" and "2.5" indicate the length (in meters) of the respective parts.

3.Parentheses mean that the corresponding part is a subpart that constructs an assembly part.

4.Dotted lines on the Figures indicate assembly parts.

5.As to the parts with marks of "☆"(consumable parts) and "◎"(optional parts)on the respective parts, it is recommended to prepare spares.

1 ."注記"欄の記号説明

1) "*"印.....前回のパーツブックに比較して今回変更された部品を意味します。

変更内容は、"変更情報リスト"を参照してください。

2) "#01".....ページ下の"注記"の説明を参照してください。

2.数量欄の数字は、個数を表し、0.1、2.5等の数値は、長さ（単位メートル）を表します。

3.数量欄の（ ）は、組部品を構成している子部品であることを意味します。

4.イラストページの-----枠は、組構成であることを意味します。

5.リストページの"☆"（消耗部品）、"◎"（オプション部品）の印がついた部品は、予備を準備しておくことをお奨めします。

NUMERICAL INDEX OF PARTS

PART NO	PAGE	REF NO.	PART NO	PAGE	REF NO.	PART NO	PAGE	REF NO.
11228103	40	35·53	40049213	46	27	40068589	38	34
11856101	8	48	40053286	18	61	40068601	20	15
11856101	10	48	40055591	38	10~15	40068663	8	11
12288403	38	5	40059579	2	22	40068664	8	12
12347308	38	2	40059579	46	22	40069918	8	50
13138201	30	18	40066892	4	21	40069918	10	50
13138508	30	19	40066902	4	6	40069918	12	37
13138805	30	20	40066909	4	44	40070191	8	1
13140504	30	21	40066918	4	20	40070353	20	16
13140504	34	31	40066919	4	24	40074049	32	49
13160304	38	6	40066928	4	29	40074159	22	52
13170105	4	39	40066929	4	30	40074169	20	34
13171004	4	38	40067003	4	28	40074182	22	53
13301908	22	50	40067008	10	68	40074183	22	46
13302500	22	51	40067009	10	69	40074226	6	56
13377304	28	53	40067014	4	45	40074227	6	57
13412705	26	72	40067056	4	35	40074228	6	58
13412705	28	72	40067058	4	34	40074229	4	1
13455100	42	8	40067059	4	33	40074231	4	7
16556508	26	34	40067116	34	9	40074232	38	36
22932800	38	1	40067120	34	17	40074233	38	37
22933006	38	4	40067123	34	19	40074234	4	13
22933105	38	3	40067133	26	11	40074235	4	14
22962609	38	35·53	40067149	8	49	40074236	4	15
23618606	24	4	40067149	10	49	40074237	4	17
23629504	34	37	40067155	8	63	40074238	4	18
23630007	34	41	40067155	10	63	40074239	4	25
23630106	34	20	40067166	8	43	40074240	4	26
26037903	38	7	40067167	8	42	40074242	4	42
40004065	44	20	40067172	8	22	40074243	4	43
40008423	12	38	40067173	8	23	40074244	4	19
40013640	40	47	40067221	14	19	40074246	4	11
40032964	42	3	40067225	14	17	40074247	4	31
40032964	44	6	40067238	38	31	40074248	6	47
40042363	30	22	40067239	38	32	40074249	26	7
40042364	30	23	40067311	38	10~15	40074250	26	8
40042365	30	24	40068392	10	70	40074251	26	13
40043800	2	17	40068424	20	14	40074252	26	16
40043800	46	17	40068425	20	13	40074253	26	21
40043815	2	18	40068426	20	23	40074254	26	22
40043815	46	18	40068427	20	21	40074255	26	24
40043839	2	16	40068434	12	16	40074256	26	25·68
40043839	46	16	40068470	8	21	40074258	28	25·68
40048536	38	18	40068575	14	18	40074259	6	46
40049213	2	27	40068588	38	33	40074262	4	41

NUMERICAL INDEX OF PARTS

PART NO	PAGE	REF NO.	PART NO	PAGE	REF NO.	PART NO	PAGE	REF NO.
40074263	4	10	40074368	34	24	40074480	6	59
40074264	4	23	40074370	34	25	40074481	6	53
40074265	44	1	40074373	30	30	40074482	6	54
40074272	44	13	40074382	32	50	40074483	6	55
40074273	44	14	40074390	34	18	40074484	4	2
40074274	44	18	40074393	30	42	40074485	6	51
40074277	4	37	40074395	34	16	40074486	40	54
40074278	44	22	40074396	34	15	40074487	18	55·62
40074297	2	4	40074402	42	19	40074488	18	56
40074297	46	4	40074403	2	10	40074489	18	57
40074298	2	8	40074403	46	10	40074490	26	10
40074298	46	8	40074404	2	12	40074491	28	67·70
40074300	34	2	40074404	46	12	40074494	18	58~60
40074302	2	32	40074409	2	15	40074495	18	58~60
40074302	46	32	40074409	46	15	40074496	18	58~60
40074315	30	1	40074410	2	20	40074498	16	26
40074316	30	8	40074410	46	20	40074499	18	50~52
40074317	30	11	40074411	30	17	40074500	16	20~24
40074318	30	12	40074430	42	12	40074501	16	20~24
40074319	30	13	40074431	42	15	40074503	16	27·30
40074322	30	14	40074432	30	3	40074504	16	31
40074326	34	29	40074438	34	8	40074505	16	32·33
40074328	30	6	40074444	40	51	40074506	16	34
40074329	30	7	40074450	14	33	40074507	16	35
40074330	30	25	40074451	14	34	40074508	16	36
40074331	30	26	40074452	26	27	40074509	16	37
40074332	14	43	40074453	28	52	40074510	16	38
40074332	30	27	40074454	26	30	40074511	16	39·40
40074333	30	28	40074455	26	33	40074512	16	41
40074334	30	29	40074456	14	41	40074513	16	42
40074336	30	32	40074457	26	37	40074514	16	32·33
40074337	30	33	40074458	26	38	40074515	18	50~52
40074338	30	34	40074460	28	47·69	40074516	40	24·49·61
40074339	30	35	40074461	28	49	40074517	40	25·50·62
40074340	30	39	40074464	14	44	40074520	16	15~19
40074341	30	41	40074464	28	54	40074521	16	11~14
40074344	30	46	40074465	28	55	40074527	16	39·40
40074345	32	47	40074466	28	57	40074528	28	67·70
40074349	34	1	40074467	28	58	40074529	16	1~10
40074350	34	3	40074468	28	59	40074530	16	1~10
40074351	34	4	40074469	28	60	40074531	16	1~10
40074358	34	5	40074470	28	63	40074532	16	1~10
40074364	34	10	40074471	28	50	40074533	16	1~10
40074365	34	11	40074473	28	47·69	40074538	16	1~10
40074367	34	21	40074479	16	25	40074539	16	1~10

NUMERICAL INDEX OF PARTS

PART NO	PAGE	REF NO.	PART NO	PAGE	REF NO.	PART NO	PAGE	REF NO.
40074545	16	1~10	40074603	8	15	40074667	12	17
40074546	16	1~10	40074608	8	17	40074668	12	21
40074547	16	1~10	40074609	8	19	40074671	12	22
40074550	14	1	40074610	16	15~19	40074672	12	23
40074551	14	3	40074611	16	11~14	40074677	12	28
40074552	14	6	40074613	40	25·50·62	40074678	12	31
40074553	14	8	40074614	16	15~19	40074679	12	33
40074554	14	9	40074615	8	10	40074680	12	34
40074555	14	10	40074616	8	13	40074681	12	35
40074556	14	13	40074617	8	25	40074684	12	39
40074558	38	26	40074618	8	27	40074689	8	3
40074559	14	16	40074619	8	31	40074705	16	15~19
40074560	14	22	40074622	8	32	40074706	16	11~14
40074561	14	23	40074623	8	33	40074727	34	30
40074562	14	24	40074627	8	34	40074739	20	18
40074563	14	25	40074627	12	19	40074740	20	1
40074564	14	26	40074629	8	39	40074742	20	4
40074565	14	27	40074630	8	40	40074746	20	9
40074566	14	28	40074632	10	44	40074750	20	11
40074567	14	30	40074633	10	46	40074751	20	12
40074568	14	31	40074634	10	47	40074754	20	25
40074569	14	40	40074635	10	51	40074755	20	27
40074570	14	39	40074637	10	52	40074756	20	31
40074571	38	21	40074638	10	53	40074759	26	5
40074572	18	54	40074641	10	55	40074761	26	18
40074573	18	50~52	40074642	10	56	40074762	26	19
40074574	28	73·74	40074643	10	57	40074769	44	24
40074575	10	79·81	40074645	10	62	40074772	26	23
40074576	10	80·82	40074646	10	64	40074773	26	39
40074580	16	20~24	40074648	10	67	40074774	26	40
40074581	16	20~24	40074649	10	71	40074775	20	6
40074582	16	20~24	40074653	10	72	40074844	40	57
40074583	18	55·62	40074654	10	73	40074845	40	58
40074584	16	27·30	40074655	10	74	40074867	20	33
40074586	16	28	40074656	12	1	40074869	22	48
40074588	16	11~14	40074658	8	2	40074895	24	6
40074589	16	15~19	40074659	8	58	40074929	40	24·49·61
40074590	40	60	40074659	10	58	40074962	38	24·49·61
40074596	12	2	40074660	12	6	40074963	38	25·50·62
40074597	28	73·74	40074661	12	10	40075304	20	39~42
40074598	10	79·81	40074662	8	5	40075305	20	39~42
40074599	10	80·82	40074663	12	11	40075306	20	39~42
40074600	12	3	40074664	12	13	40075307	20	39~42
40074601	8	6	40074665	12	14	40076293	8	59
40074602	8	9	40074666	12	15	40076293	10	59

NUMERICAL INDEX OF PARTS

PART NO	PAGE	REF NO.	PART NO	PAGE	REF NO.	PART NO	PAGE	REF NO.
40079298	38	10~15	B210348100B	20	28~30	MDFRX2001L09	38	17
40082824	34	36	B210348100C	20	28~30	MFL118B1000	26	1
40083674	38	40	B9113012000	38	8·9	MFL118B1005	38	22·23
40083683	38	43	B91210120A0	38	16	MFLG80B0800	26	2
40084716	40	52	B9143372000	38	8·9	MFLG80B0802	38	22·23
40085784	36	8	BT0400251EB	42	22	NM6040002SC	36	33
40085785	36	11	BT0400251EB	44	26	NM6040003SC	26	45
40085788	36	15	BT0600401EB	2	31	NM6050001SE	36	23
40085789	36	14	BT0600401EB	46	31	NM6050001SP	2	6
40085790	36	16	CM300200001	4	9	NM6050001SP	8	54
40085791	36	17	CM600100201	40	48	NM6050001SP	10	54
40085792	36	13	CQ200000000	8	20	NM6050001SP	12	27
40085793	36	12	CQ200000000	28	75	NM6050001SP	44	17
40085794	36	4	CQ200000000	34	32	NM6050001SP	46	6
40085795	36	3	CQ200000001	34	33	NM6050002SC	26	36
40085796	36	10	CQ2500000F0	34	38	NM6050003SC	26	32
40093290	26	31	CQ252000000	12	42	NM6060003SC	26	46
40096325	36	9	CQ303000000	28	71	NM6060003SP	10	60
40096326	36	7	CS0800881TP	12	25	NM6060003SP	12	29
40096327	36	5	D5119206K0K	42	18	NM6060003SP	14	11
40098428	20	44	E1353172000	2	21	PA1604508A0	44	9
40098432	20	37	E1353172000	46	21	PA2502507A0	42	7
40098433	20	36	E3762725000	30	37	PC010508000	42	9
40098434	40	66	EA9500B0100	2	24	PC012601000	2	25
40098439	24	12	EA9500B0100	20	35	PC012601000	46	25
40098440	24	1	EA9500B0100	34	42	PJ301040502	42	5
40098442	24	8	EA9500B0100	46	24	PJ301040502	44	7
40098445	40	63	F1003003000	2	33	PJ301065201	2	28
40098448	40	64	F1003003000	46	33	PJ301065201	46	28
40106574	36	6	F1004003000	2	34	PJ304040504	44	10
40106575	36	2	F1004003000	46	34	PS0150042K0	12	4
40106576	36	29	G5313172000	26	3	PS0160162KH	20	2
40106577	36	18	GAT27010000	2	3	PS0200062KP	2	7
40106578	36	19	GAT27010000	46	3	PS0200062KP	46	7
40106579	36	30	HK034610020	42	4	PS0400122KP	42	21
40106580	36	28	HK034610140	2	29	PS0400142KH	24	13
40106583	36	27	HK034610140	44	27	PS0400202KP	14	38
40106586	36	1	HK034610140	46	29	PV1502060A0	42	1
40109081	26	42	HK03464000B	2	30	PV1502060A0	44	4
40112857	4	22	HK03464000B	46	30	PX050501000	42	6
A123050000A	24	15	HX00150000J	40	59	PX050501000	44	8
B1212210D00	24	14	J106600000A	40	56	RE0500000K0	12	32
B1826232000	44	2	J106600000C	38	10~15	RE1000000K0	26	41
B1908505000	30	36	J106600000F	38	10~15	RO029180100	38	28
B210348100A	20	28~30	J106600000G	38	10~15	RO061180100	8	75

NUMERICAL INDEX OF PARTS

PART NO	PAGE	REF NO.	PART NO	PAGE	REF NO.	PART NO	PAGE	REF NO.
RO061180100	10	75	SM4041055SP	46	19	SM6051002TP	14	15
RO098190100	34	7	SM4041201SC	36	31	SM6051002TP	38	39
SB117000400	24	3	SM4042501SC	36	32	SM6051202TP	4	36
SB120002200	20	20	SM4051001SE	36	21	SM6051202TP	12	12
SD0600326TP	24	11	SM4051405SE	36	20	SM6051202TP	44	15
SD0601036TP	26	44	SM5040855SN	14	4	SM6051250TP	20	38
SD0650326TP	8	41	SM6020250TP	16	44	SM6051260SP	30	16
SD0700586TP	14	7	SM6020460TP	30	9	SM6051450TP	20	32
SD0800327TP	2	5	SM6020600TP	30	43	SM6052502TP	42	16
SD0800327TP	30	4	SM6030350SN	4	3	SM6055002TP	22	49
SD0800327TP	46	5	SM6030350TP	12	43	SM6061402TP	38	30
SD0950646TP	10	65	SM6030350TP	16	45	SM6063502TP	38	41
SK3271301SE	42	2	SM6030500SN	30	45	SM6083852TP	4	5
SK3271301SE	44	5	SM6030502TP	8	16	SM6103502TP	38	20
SK3412001SE	36	22	SM6030650TP	4	8	SM67506A0TP	10	45
SK3412001SE	38	45	SM6030800SP	26	9	SM67506A0TP	12	30
SK3413201SE	44	21	SM6030800SP	30	10	SM67506A0TP	26	12
SK3452500SC	2	36	SM6030800SP	38	38	SM6751260TP	44	3
SK3452500SC	46	36	SM6030800SP	44	25	SM6850350TP	18	48
SL6040892TN	42	14	SM6030802TP	28	62	SM7030450SC	14	21
SL6040892TN	44	23	SM6030850TP	20	24	SM8020202UZ	34	13
SL6041092TN	2	13	SM6031002TP	28	48	SM8030350TP	30	44
SL6041092TN	46	13	SM6040552TP	2	9	SM8030450SP	14	29
SL6043092TN	2	2	SM6040552TP	46	9	SM8030612TP	16	29
SL6043092TN	46	2	SM6040602TN	24	7	SM8030612TP	20	3
SL6051492TN	42	20	SM6040650TP	30	31	SM8030612TP	26	17
SL6052592TN	20	5	SM6040660TP	26	14	SM8031002TP	2	14
SL6062092TN	42	13	SM6040800SP	6	48	SM8031002TP	46	14
SM1020450TH	26	4	SM6040800SP	16	46	SM8040612TP	12	40
SM1020450TP	16	43	SM6040800SP	28	51	SM8040612TP	14	37
SM1030501SC	4	32	SM6040802TP	28	56	SM8050412TP	6	50
SM1040750TP	4	40	SM6040860TP	12	5	SM8050412TP	12	26
SM1040750TP	10	66	SM6040870SP	34	6	SM8050412TP	20	10
SM1040950TP	10	76	SM6040950TP	8	35	SM8050412TP	28	66
SM2750750TP	20	26	SM6040950TP	12	20	SM8050512TP	26	20
SM4030455SN	6	60	SM6041000SP	14	42	SM80506A2TP	10	78
SM4040501SN	4	16	SM6041000SP	26	15	SM8050812TP	8	24
SM4040501SN	34	27	SM6041002TP	12	9	SM8050812TP	12	41
SM4040655SP	4	27	SM6041050TP	40	55	SM8050812TP	18	47
SM4040655SP	34	14	SM6041200SP	26	6	SM8050812TP	20	22
SM4040800SP	8	18	SM6041202TP	14	35	SM8060612TP	20	19
SM4040855SP	40	67	SM6050610SC	30	2	SM80606A2TP	24	2
SM4041050TP	8	14	SM6050650TP	38	27	SM8060812TP	14	14
SM4041055SP	2	19	SM6050800SP	32	48	SM80608A2TP	20	47
SM4041055SP	20	43	SM6051000SP	44	19	SM80608A2TP	22	47

NUMERICAL INDEX OF PARTS

PART NO	PAGE	REF NO.
SM8480452TP	28	61
SM8850302TP	12	7
SM8850302TP	18	49
SM8850302TP	28	64
SM8850350TP	26	26
SM9050850SP	14	12
SM9051400SN	14	32
SQ2050452MZ	34	39
SS1151310TP	38	42
SS8660612TP	24	5
TA1470704R0	38	46
TA2050406R0	2	35
TA2050406R0	46	35
WP0360516SD	6	52
WP0410846SC	4	4
WP0430800SC	6	49
WP0430800SC	14	36
WP0430800SC	34	26
WP0450801SD	14	5
WP0450801SP	40	65
WP0450826SC	38	44
WP0531001SC	36	24
WP0550800SP	42	17
WP0550800SP	44	16
WP0621016SD	24	10
WP0621026SP	26	43
WP0621036SP	38	29
WP0621046SP	12	36
WP0651056SH	10	61
WP0951016SP	10	77
WP1051416SD	38	19
WP1302501SC	24	16
WP1612616SE	36	25
WS0510002KN	36	26
WZ0641510KP	24	9
WZ0850302K0	30	5