

MODEL : LZ-2280N/LZ-2280N-7

List No : 1571-01

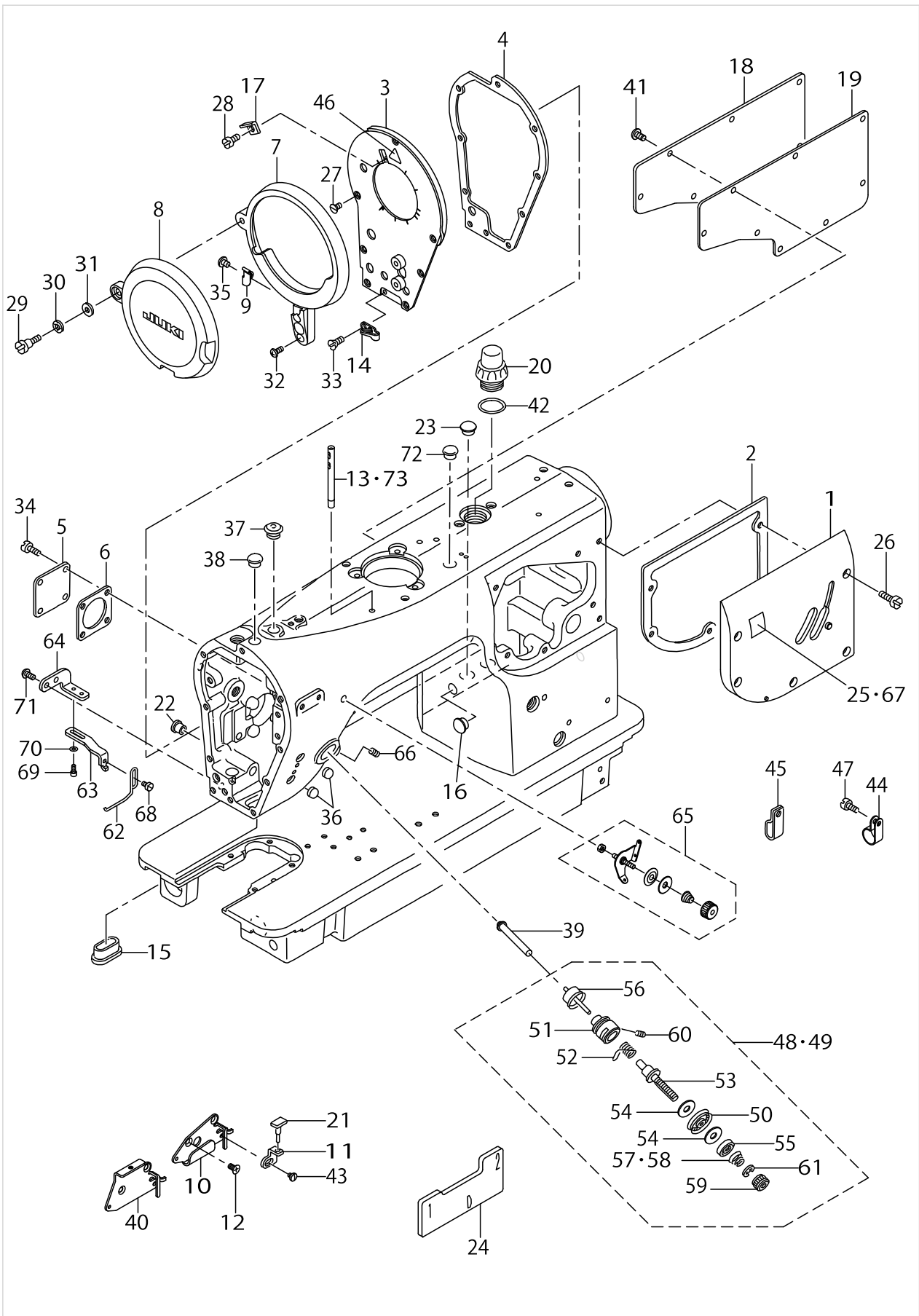
PARTS LIST

Published:05/12/2017

CONTENTS

FRAME & MISCELLANEOUS COVER COMPONENTS (1)	1
FRAME & MISCELLANEOUS COVER COMPONENTS (2)	5
FRAME & MISCELLANEOUS COVER COMPONENTS (3)	7
MAIN SHAFT & NEEDLE BAR COMPONENTS	9
NEEDLE VIBRATOR & ADJUSTMENT COMPONENTS (1)	13
NEEDLE VIBRATOR & ADJUSTMENT COMPONENTS (2)	15
PRESSER BAR & FEED REGULATOR COMPONENTS	19
FEED MECHANISM & CONDENSE COMPONENTS	23
FEED MECHANISM COMPONENTS	25
HOOK DRIVING SHAFT & HOOK COMPONENTS	29
LUBRICATION COMPONENTS	33
THREAD TRIMMER MECHANISM COMPONENTS	37
UPPER THREAD FEEDER COMPONENTS	41
AUTOMATIC REVERSE FEED MECHANISM COMPONENTS	43
WIPER MECHANISM COMPONENTS	45
THREAD STAND COMPONENTS	47
CP PANEL COMPONENTS	49
BELT COVER COMPONENTS	51
OIL RESERVOIR & KNEE LIFTER COMPONENTS	53
EXCLUSIVE PARTS FOR LZ-2286NT	55
EXCLUSIVE PARTS FOR LZ-2285N (1)	57
EXCLUSIVE PARTS FOR LZ-2285N (2)	61
EXCLUSIVE PARTS FOR LZ-2281N	65
EXCLUSIVE PARTS FOR LZ-2282N(-7) (1)	67
EXCLUSIVE PARTS FOR LZ-2282N(-7) (2)	71
EXCLUSIVE PARTS FOR LZ-2284NU(-7)	75
EXCLUSIVE PARTS FOR LZ-2284N(-7),LZ-2284C-7 (1)	77
EXCLUSIVE PARTS FOR LZ-2284N(-7),LZ-2284C-7 (2)	81
SPECIAL ORDER PARTS (1)	85
SPECIAL ORDER PARTS (2)	87
EXCLUSIVE PARTS FOR LZ-2284C-7 (1)	91
EXCLUSIVE PARTS FOR LZ-2284C-7 (2)	93
EXCLUSIVE PARTS FOR LZ-2284C-7 (3) (TABLE COMPONENTS/JT-Z710)	95
EXCLUSIVE PARTS FOR LZ-2284C-7 (4) (TABLE COMPONENTS/JT-Z71A,JT-Z71B)	97
EXCLUSIVE PARTS FOR LZ-2284C-7 (5)	99
EXCLUSIVE PARTS FOR LZ-2284C-7 (6) (ACCESSORIES PARTS COMPONENTS)	101
LIST FOR INFORMATION OF CHANGE	103
HOW TO MAKE USE OF THIS PARTS LIST	104

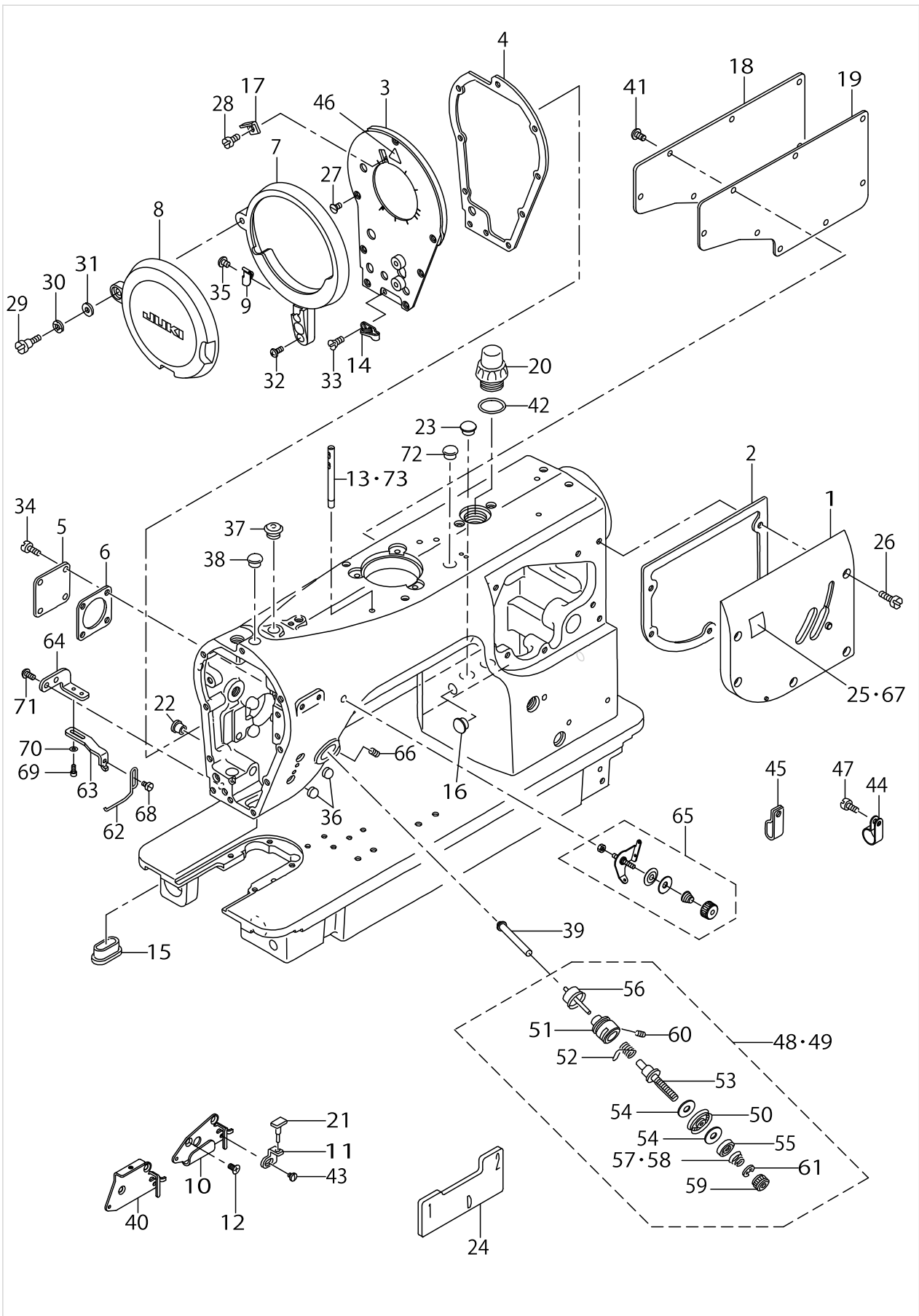
FRAME & MISCELLANEOUS COVER COMPONENTS (1)



FRAME & MISCELLANEOUS COVER COMPONENTS (1)

No.	Supply Code	Parts No.	Replacement	Parts name	Remarks	Choice	Step	Level	Cons	Qty	Rep. QTY
1		26304758		ARM SIDE COVER COMPL.						1	
2		22501209		GASKET						1	
3		23500978		FACE PLATE COMPL.						1	
4		22501506		GASKET						1	
5		22501605		TENSION RELEASE WINDOW PLATE						1	
6		22501704		GASKET						1	
7		26305102		BALANCE COVER BASE						1	
8		22502108		BALANCE COVER						1	
9		26305300		SPRING						1	
10		22504104		BALANCE THREAD GUIDE A	VARIOUS NOS.FOR DESTINATIONS					1	
11		22502702		SPRING GUARD						1	
12		SS1110821TP		SCREW 11/64-40 L=8.3						2	
13		22958300		NEEDLE THREAD GUIDE PIN						1	
14		26305409		SPRING GUARD						1	
15		10000206		ARM OIL SHIELD						1	
16		TA1050504R0		RUBBER PLUG						1	
17		10001709		TAKE-UP THREAD CUTTER						1	
18		22900401		WINDOW PLATE						1	
19		40012129		SIDE PLATE PACKING						1	
20	R	22947006	22924708	OIL SIGHT WINDOW						1	1.00
21		11043601		RUBBER STOPPER						1	
22		TA0800504R0		PLUG D=8 L=4.5						1	
23		TA1050504R0		RUBBER PLUG						2	
24		22536403		TIMMING GAUG D						1	
25	D	23516206		OPERATION SEAL	FOR LZ-22-84N(-7), L-Z-2284NU(-7),LZ-2284C-7					1	
26		SS4121415SP		SCREW 3/16-28 L=14						5	
27		SS1110840SP		SCREW 11/64-40 L=8						7	
28		SS7080410SP		SCREW 1/8-44 L= 3.8						1	
29		SD0640751SP		HINGE SCREW D= 6.35 H= 7.5						1	
30		WZ0641510KP		WAVED WASHER 6.4X11X0.3						1	
31		WP0651056SD		WASHER 6.5X11X1						1	
32		SS4110915SP		SCREW 11/64-40 L=9						2	
33	R	SS2090710SP	SS2090710TP	SCREW 9/64-40 L=7						1	1.00
34		SS4120615SP		SCREW 3/16-28 L=6						4	
35		SS4120615SP		SCREW 3/16-28 L=6						1	
36		GPR01015000		DRIVING STOPPER RUBBER						2	
37		TA1250705R0		RUBBER PLUG						1	
38		TA1100604R0		PLUG						1	
39		22528616		THREAD RELEASE						1	
40		26312504		BALANCE THREAD GUIDE T	VARIOUS NOS.FOR DESTINATIONS					1	
41		SS4120915SP		SCREW 3/16-28 L=9						8	
42		RO195240100		RUBBER RING						1	

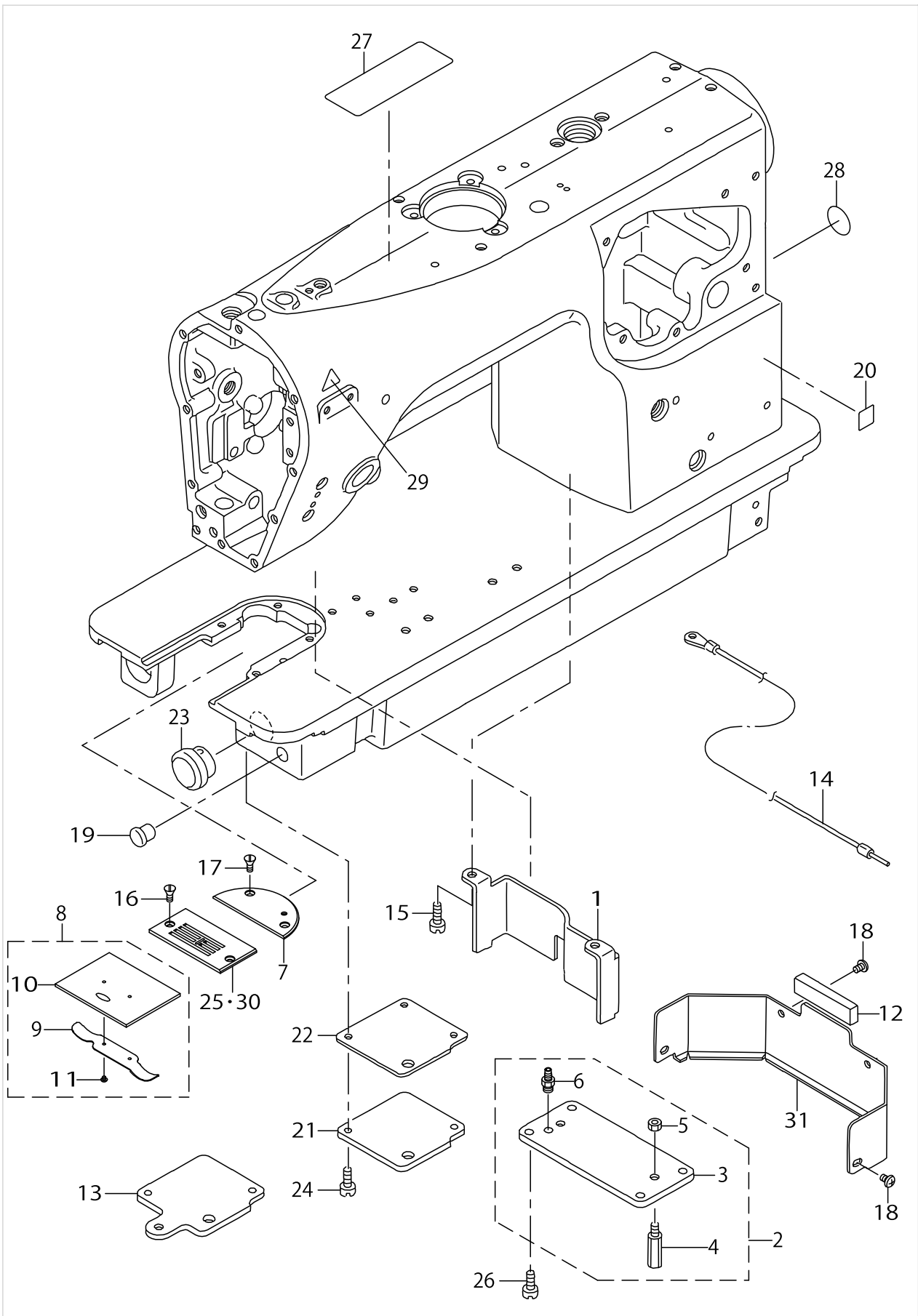
FRAME & MISCELLANEOUS COVER COMPONENTS (1)



FRAME & MISCELLANEOUS COVER COMPONENTS (1)

No.	Supply Code	Parts No.	Replacement	Parts name	Remarks	Choice	Step	Level	Cons	Qty	Rep. QTY
43		SS7090410SP		SCREW 9/64-40 L=3.5						1	
44		EA9502B0200		CABLE CLIP C	FOR LZ-228*N-7					1	
45		D2112555B00		CORD HOLDER LARGE	FOR LZ-228*N-7					2	
46		CM300200001		ATTENTION SEAL						1	
47		SS4121015SP		SCREW 3/16-28 L=10	FOR LZ-228*N-7					1	
48		22528061		THREAD TENSION ASM.	VARIOUS NOS.FOR DESTINATIONS					1	
49		22528467		THREAD TENSION ASM.	VARIOUS NOS.FOR DESTINATIONS					1	
50		23547557		THREAD TENSION T COMPL.				*		1	
51		22528152		THREAD TENSION ROD ASM.				*		1	
52		10006104		TAKE-UP SPRING				*		1	
53		10005668		THREAD TENSION POST ASM.				*		1	
54		22528509		FELT				*		2	
55		10006005		TENSION DISC HOLDER				*		1	
56		10007854		TENSION RELEASE PIN ASM.				*		1	
57		B3129012A00		TENSION SPRING	VARIOUS NOS.FOR DESTINATIONS			*		1	
58		B3121352000		TENSION SPRING	VARIOUS NOS.FOR DESTINATIONS			*		1	
59		B3116125000		TENSION NUT				*		1	
60		SS8090670SP		SCREW 9/64-40 L=5.5				*		1	
61		B3120125000		ROTATING STOPPER				*		1	
62		22529002		SUPPORT BALANCE	VARIOUS NOS.FOR DESTINATIONS					1	
63		22529101		SUPPORT BALANCE BASE	VARIOUS NOS.FOR DESTINATIONS					1	
64		22529200		MOUNTING BASE	VARIOUS NOS.FOR DESTINATIONS					1	
65		40050700		PRE-TENSION CONTROLLER ASM.						1	
66		SS8110750SP		SCREW 11/64-40 L= 6.5						1	
67		22542708		OPERATION SEAL	FOR LZ-2281N					1	
68		SS6090540SP		SCREW 9/64-40 L=5.0	VARIOUS NOS.FOR DESTINATIONS					1	
69		SS6580752TP		SCREW 1/8-40 L=7	VARIOUS NOS.FOR DESTINATIONS					2	
70		WP03305000E		WASHER 3.3X6X0.5	VARIOUS NOS.FOR DESTINATIONS					2	
71		SS4110915SP		SCREW 11/64-40 L=9	VARIOUS NOS.FOR DESTINATIONS					2	
72		TA1250705R0		RUBBER PLUG						1	
73		22502504		THREAD GUIDE BAR	FOR LZ-228*N-7					1	

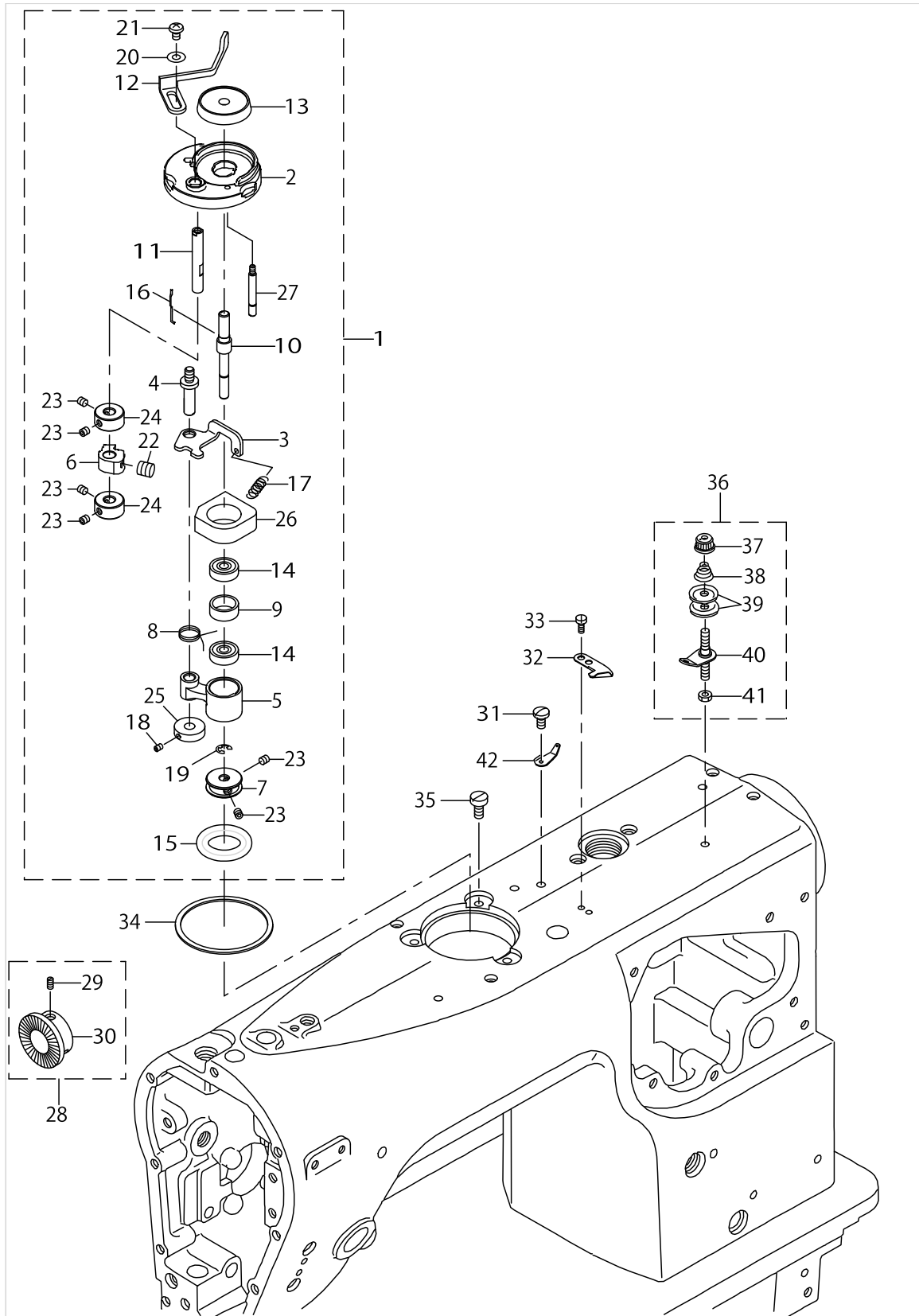
FRAME & MISCELLANEOUS COVER COMPONENTS (2)



FRAME & MISCELLANEOUS COVER COMPONENTS (2)

No.	Supply Code	Parts No.	Replacement	Parts name	Remarks	Choice	Step	Level	Cons	Qty	Rep. QTY
1		26304907		SUPPORT PLATE						1	
2		40108981		GEAR BOX COVER ASM.						1	
3		40108980		GEAR BOX COVER				*		1	
4		40028555		STUD				*		2	
5		NM6060001CP		NUT M6				*		2	
6		SQ1150451MZ		CONNECTING SCREW				*		1	
7		26300103		BED PLATE						1	
8		26314757		SLIDE PLATE ASM.						1	
9		22901300		SLIDE PLATE SPRING				*		1	
10	R	26314708	26314757	SLIDE PLATE				*		1	1.00
11		SS6060210SP		SCREW 3/32-56 L=1.9				*		2	
12		10037406		OIL SHIELD RUBBER						1	
13		22552400		HELICAL BEVEL GEAR BOX COVER	FOR LZ-228*N-7					1	
14	R	11044054	22951552	GROUND WIRE ASM.	FOR LZ-228*N-7					1	1.00
15		SS4111015SP		SCREW 11/64-40 L=10						2	
16		SS2090810SP		SCREW 9/64-40 L=7.5						2	
17		SS2090810SP		SCREW 9/64-40 L=7.5						2	
18		SS4110615SP		SCREW 11/64-40 L=6						2	
19		TA0950806R0		RUBBER PLUG						1	
20		CM600100101		WEEE MARK LABEL S	VARIOUS NOS.FOR DESTINATIONS					1	
21		10031805		HELICAL BEVEL GEAR BOX COVER						1	
22		10031904		GASKET						1	
23		10032001		NYLON CAP						1	
24		SS4110915SP		SCREW 11/64-40 L=9						3	
25		22548010		NEEDLE PLATE	VARIOUS NOS.FOR DESTINATIONS					1	
26		SS4110915SP		SCREW 11/64-40 L=9						4	
27		CM301300001		SAFETY LABEL						1	
28		22901805		GROUND MARK						1	
29		CM300200002		CAUTION LABEL(25)						1	
30		22548705		NEEDLE PLATE	VARIOUS NOS.FOR DESTINATIONS					1	
31		10037307		OIL SHIELD PLATE						1	

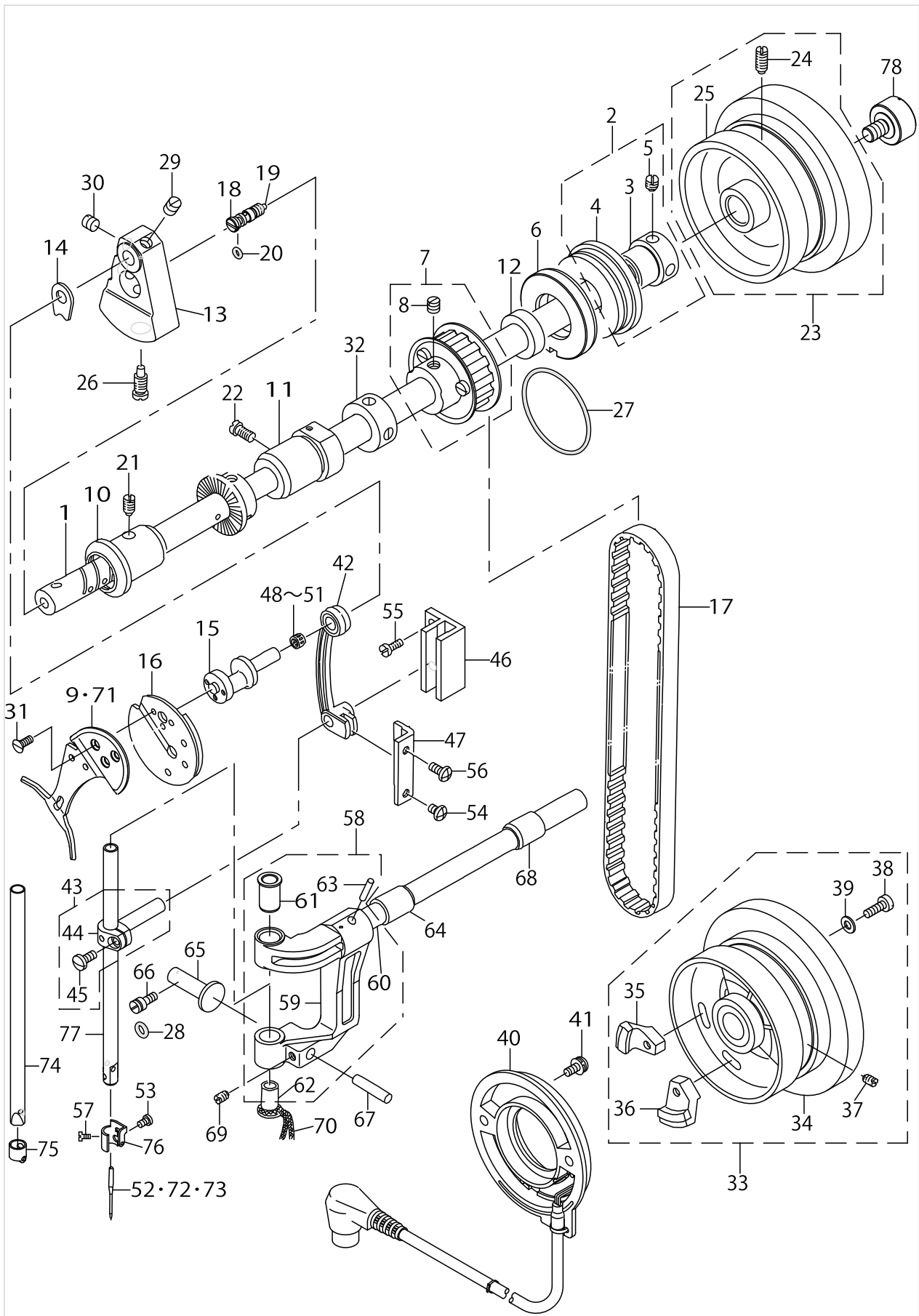
FRAME & MISCELLANEOUS COVER COMPONENTS (3)



FRAME & MISCELLANEOUS COVER COMPONENTS (3)

No.	Supply Code	Parts No.	Replacement	Parts name	Remarks	Choice	Step	Level	Cons	Qty	Rep. QTY
1		40034920		BOBBINWINDERUNIT						1	
2		40034904		BTW BASE				*		1	
3		40031628		BTW_CAM_PLATE				*		1	
4		40032138		BTW_BASE_SHAFT				*		1	
5		26260406		BTW_SHAFT_BASE				*		1	
6		26260505		BTW_CAM_LEVER				*		1	
7		40026730		BTW WHEEL				*		1	
8		40031633		BTW_TORSION_SPRING				*		1	
9	R	26260802	26260000	BTW_BEARING_SPACER				*		1	1.00
10		40031629		BTW_SHAFT				*		1	
11	R	40031630	40034920	BTW LEVER SHAFT				*		1	1.00
12		40021933		BTW_LEVER				*		1	
13		26261206		BTW_SPACER				*		1	
14	R	26261305	26260000	BTW_BEARING				*		2	1.00
15		A321600100A		RUBBER RING				*		1	
16		26261602		BOBBIN_SPRING				*		1	
17		26261701		BTW_SPRING				*		1	
18		SM8030412TP		SCREW				*		1	
19		RE0400000K0		E-RING 4				*		1	
20		WP0450826SC		WASHER 4.5X10X0.8				*		1	
21		SM5040655SN		SCREW				*		1	
22		SM8050502TP		SCREW M5 L=5				*		1	
23		SM8040412TP		SET SCREW M4 L=4				*		6	
24		40026745		COLLAR				*		2	
25		40043720		COLLAR				*		1	
26		40034919		BTW PROTECT SPONGE				*		1	
27		40031631		BTW_SPRING_SHAFT				*		1	
28		22538854		BTW DRIVING WHEEL ASM.						1	
29		SS8660610TP		SCREW 1/4-40 L=6				*		2	
30	R	22538805	22538854	DRIVING WHEEL				*		1	1.00
31		SS7110840SP		SCREW 11/64-40 L=7.8						1	
32		10502300		THREAD CUTTER						1	
33	R	SS6090620SP	SS6090620TP	SCREW 9/64-40 L=6						2	1.00
34		22538706		PACKING						1	
35		SS6121030SN		SCREW 3/16-28 L=10						3	
36		22529481		BOBBIN THREAD TENSION ASM.						1	
37		11072402		THREAD TENSION NUT				*		1	
38		11093606		THREAD TENSION SPRING				*		1	
39	R	B3214047000	22945802	BOBBIN WINDER TENSION DISC				*		2	1.00
40		22529473		BOBBIN THREAD T- ENSION ROD ASM.				*		1	
41		NS6110310SP		NUT 11/64-40				*		1	
42		D3162555B00		THREAD GUIDE						1	

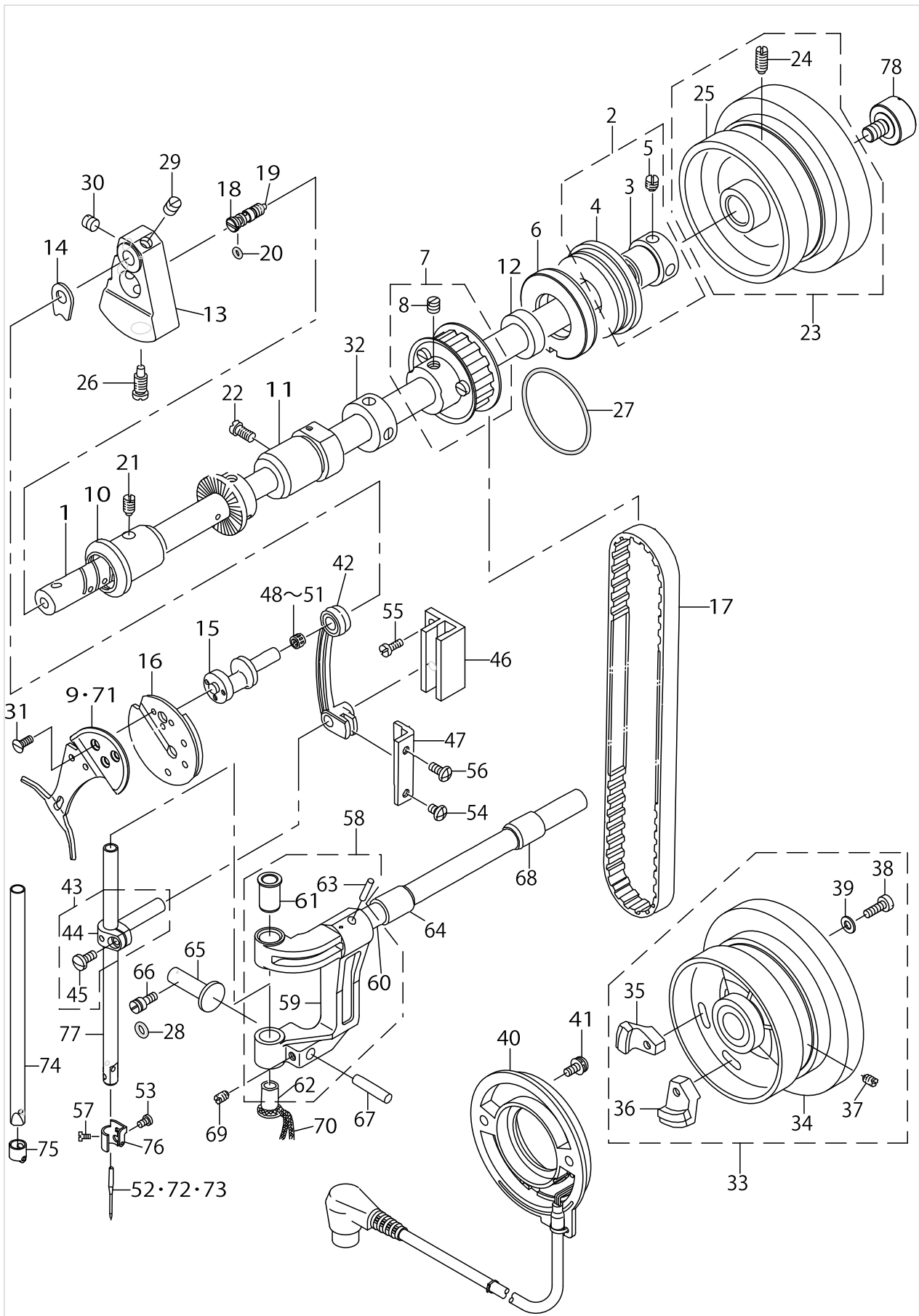
MAIN SHAFT & NEEDLE BAR COMPONENTS



MAIN SHAFT & NEEDLE BAR COMPONENTS

No.	Supply Code	Parts No.	Replacement	Parts name	Remarks	Choice	Step	Level	Cons	Qty	Rep. QTY
1		40109128		MAIN SHAFT						1	
2		22505259		THRUST COLLAR ASM.						1	
3		22505200		THRUST COLLAR				*		1	
4		SB120000100		BEARING D=20X47				*		1	
5		SS8660610TP		SCREW 1/4-40 L=6				*		2	
6		26305516		OIL SEAL COLLAR						1	
7		40044872		SPROCKET UPPER ASM.						1	
8		SS8660610TP		SCREW 1/4-40 L=6				*		2	
9		22506109		BALANCE	SPECIAL ORDER PARTS					1	
10		40040372		MAIN SHAFT BUSHING						1	
11		B1203227000A		MAIN SHAFT BUSHING INTERMEDIATE						1	
12		B1208552000A		OIL SEAL						1	
13		26300202		COUNTERWEIGHT						1	
14		10008506		COUNTERWEIGHT PROTECTING PLATE						1	
15		26300301		NEEDLE BAR CRANK						1	
16		10008753		TAKE-UP COUNTERWEIGHT ASM.						1	
17		22505705		TIMING BELT						1	
18		26304402		PIN						1	
19		B1810552000		OIL WICK						1	
20		RO029180100		RUBBER RING						1	
21	R	SS8151150SP	SS8151150TP	SCREW 15/64-28 L=10.5						1	1.00
22		SS7151120SP		SCREW 15/64-28 L=11						1	
23		40101683		HAND_WHEEL_ASM.						1	
24		SS8151550SP		SCREW 15/64-28 L=15				*		2	
25	R	40101350	40101683	HAND WHEEL				*		1	1.00
26		SS7681650TP		SCREW 9/32-28 L=16						1	
27		RO437200200		RUBBER RING						1	
28		RO048190100		RUBBER RING						1	
29		SS8660610TP		SCREW 1/4-40 L=6						2	
30		SS8660610TP		SCREW 1/4-40 L=6						2	
31		SS1090930SP		SCREW 9/64-40 L=8.6						3	
32		22904155		MAIN SHAFT THRUST COLLAR ASM.						1	
33		40108949		HAND WHEEL ASM.	FOR LZ-228*N-7					1	
34		40108948		HAND WHEEL COMPL.	FOR LZ-228*N-7			*		1	
35	R	22937254	M40071100AB	MAGNET FITTING BASE B ASM.	FOR LZ-228*N-7			*		1	1.00
36	R	22937155	M40071100AA	MAGNET FITTING BASE A ASM.	FOR LZ-228*N-7			*		1	1.00
37		SS8151550SP		SCREW 15/64-28 L=15	FOR LZ-228*N-7			*		2	
38		SS6111210SP		SCREW 11/64-40 L=12	FOR LZ-228*N-7			*		2	
39		WP0450801SD		WASHER 4.5X10X0.8	FOR LZ-228*N-7			*		2	
40		22937965		DYNAMO STATOR	FOR LZ-228*N-7					1	
41		SL4051001MZ		SCREW M5 L=9.6	FOR LZ-228*N-7					2	
42		40082351		NEEDLE BAR CRANK ROD ASM.						1	
43		40070532		NEEDLE_BAR_CONNECTION_ASM.						1	
44		40056873		NEEDLE BAR CONNECTION				*		1	
45		SS7090910TP		SCREW 9/64-40 L=8.5				*		1	

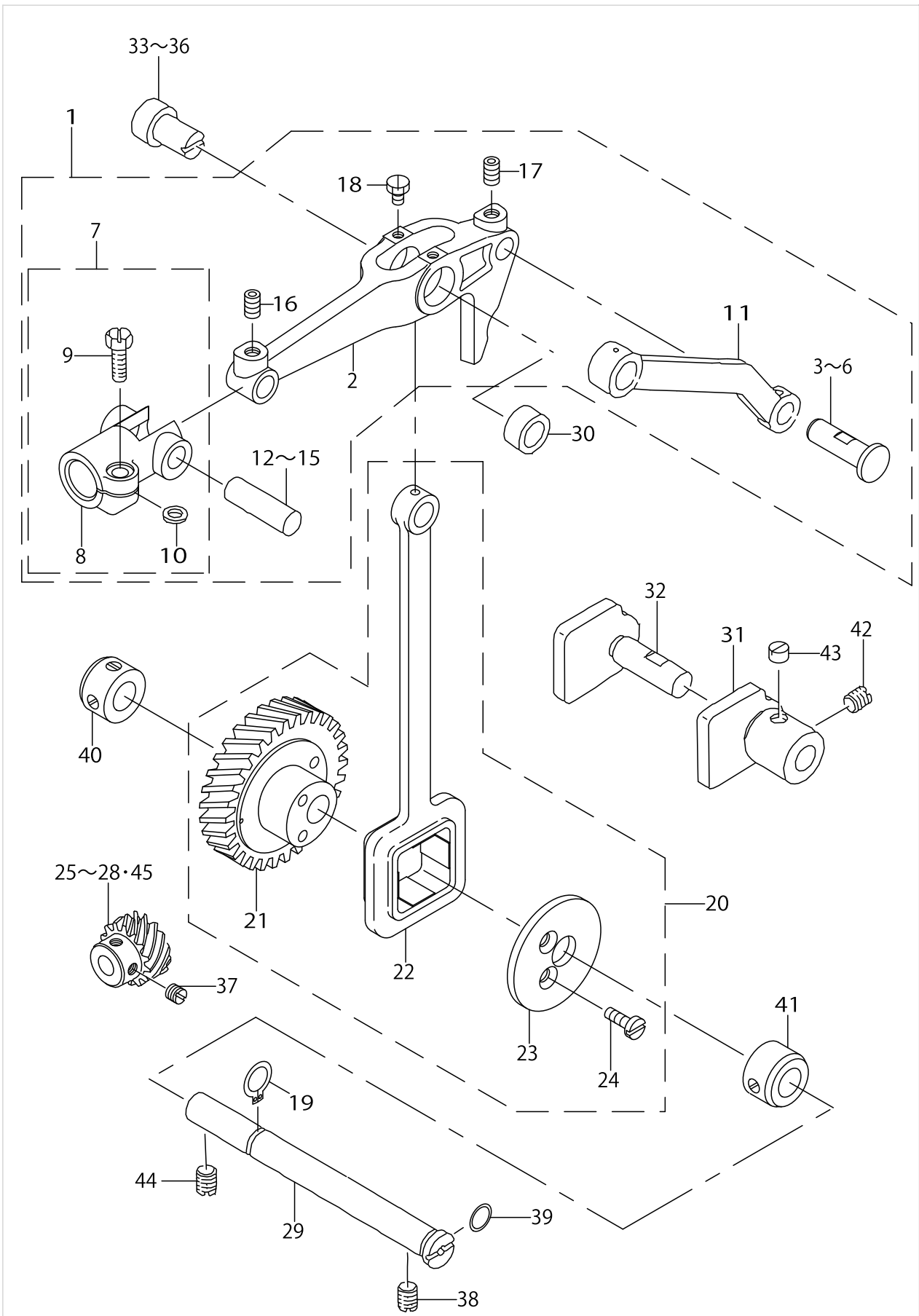
MAIN SHAFT & NEEDLE BAR COMPONENTS



MAIN SHAFT & NEEDLE BAR COMPONENTS

No.	Supply Code	Parts No.	Replacement	Parts name	Remarks	Choice	Step	Level	Cons	Qty	Rep. QTY
46		22508006		NEEDLE BAR CONNECTION GUIDE						1	
47		26300400		CRANK ROD GUIDE						1	
48		B1905541A00		NEEDLE BEARING	SELECTIVE PARTS					1	
49		B1905541B00		NEEDLE BEARING	SELECTIVE PARTS					1	
50		B1905541C00		NEEDLE BEARING	SELECTIVE PARTS					1	
51		B1905541D00		NEEDLE BEARING	SELECTIVE PARTS					1	
52		MC192300750		NEEDLE 438 #75	VARIOUS NOS.FOR DESTINATIONS					1	
53		SS7080520SP		SCREW 1/8-44 L=4.9						1	
54		SS4110615SP		SCREW 11/64-40 L=6						1	
55		SS4110915SP		SCREW 11/64-40 L=9						2	
56		SS4110915SP		SCREW 11/64-40 L=9						1	
57		SS7060310SP		SCREW 3/32-56 L=3	VARIOUS NOS.FOR DESTINATIONS					1	
58		26300962		NEEDLE BAR YOKE ASM.						1	
59		26300913		NEEDLE BAR YOKE				*		1	
60		22509202		SHAFT				*		1	
61		10013019		NEEDLE BAR BUSHING UPPER D=7.24				*		1	
62		10013118		NEEDLE BAR BUSHING LOWER D=7.24				*		1	
63		PS0400252KP		SPRING PIN				*		1	
64		22913008		FEED ROCKER SHAFT BUSHING						1	
65		26305904		NEEDLE BAR YOKE PRESSER						1	
66		26306001		SCREW						1	
67		10013407		GUIDE PIN						1	
68		26301408		SHAFT BUSHING REAR						1	
69		SS8120740SP		SCREW 3/16-28 L=7						1	
70		CQ202000000		OIL WICK						.1	
71		22506208		BALANCE V						1	
72		MC2005F0700		NEEDLE 134SUK 70	VARIOUS NOS.FOR DESTINATIONS					1	
73		MDP500B1000		NEEDLE DPX5 #10	VARIOUS NOS.FOR DESTINATIONS					1	
74		22507818		NEEDLE ROD	VARIOUS NOS.FOR DESTINATIONS					1	
75		22507701		NEEDLE ROD THREAD RACK R	VARIOUS NOS.FOR DESTINATIONS					1	
76		22507404		THREAD RACK	VARIOUS NOS.FOR DESTINATIONS					1	
77		40015494		NEEDLE BAR						1	
78		40109125		STATOR ADAPTER	SPECIAL ORDER PARTS					1	

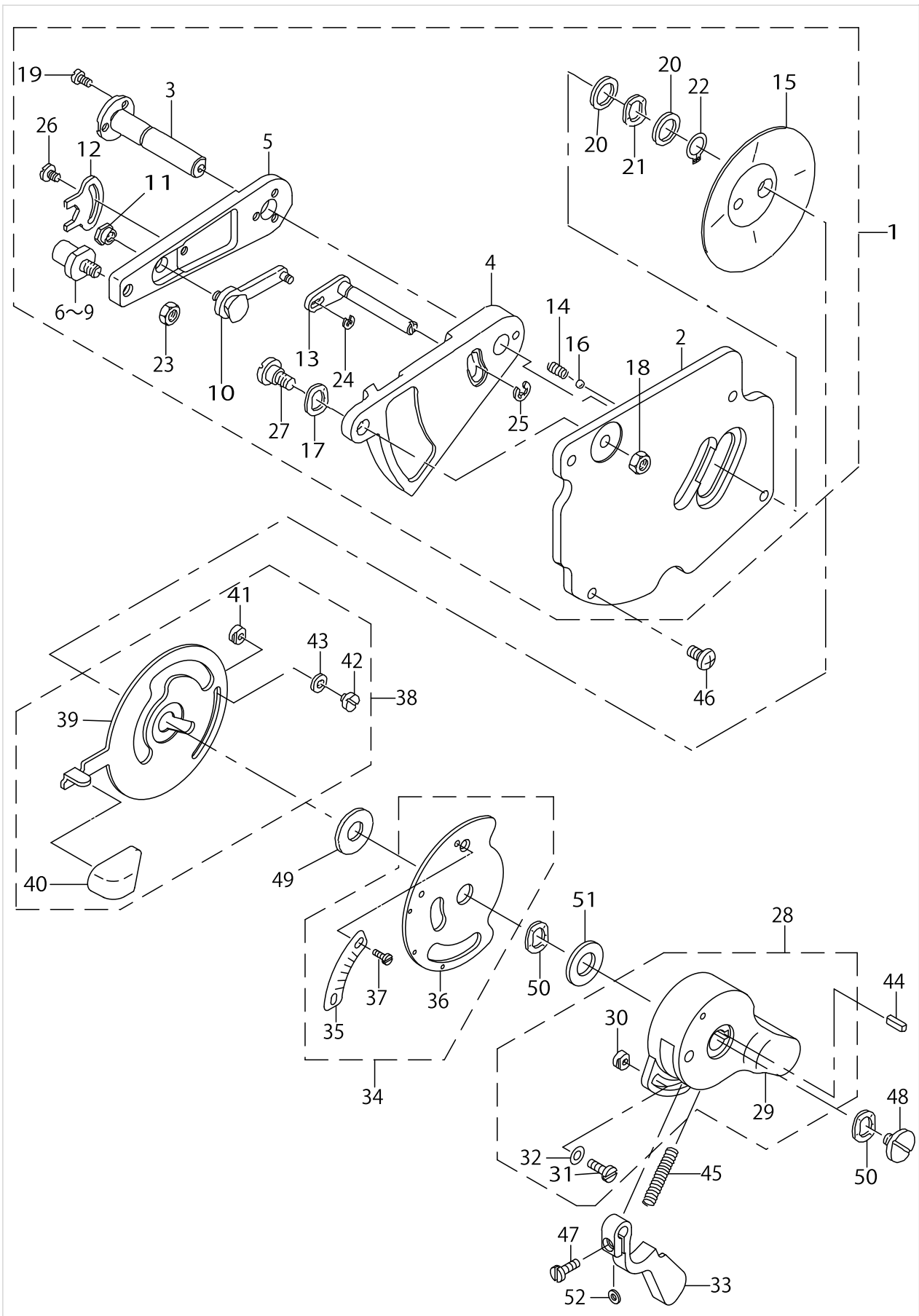
NEEDLE VIBRATOR & ADJUSTMENT COMPONENTS (1)



NEEDLE VIBRATOR & ADJUSTMENT COMPONENTS (1)

No.	Supply Code	Parts No.	Replacement	Parts name	Remarks	Choice	Step	Level	Cons	Qty	Rep. QTY
1	D	22509756		DRIVE LINK ASM.						1	
2		40065490		DRIVE LINK				*		1	
3	D	26307405		LINK	SELECTIVE PARTS			*		1	
4	D	26307504		SHAFT	SELECTIVE PARTS			*		1	
5		26307603		SHAFT	SELECTIVE PARTS			*		1	
6		26307702		SHAFT	SELECTIVE PARTS			*		1	
7		40056375		SHAFT CONNECTION ASM.				*		1	
8		40056376		SHAFT CONNECTION				*		1	
9		SS7121410TP		SCREW 3/16-28 L=14				*		1	
10		WP0510516SD		WASHER 5.1X7.5X0.5				*		1	
11		26302307		LINK				*		1	
12		10012904		PIN D	SELECTIVE PARTS			*		1	
13		10012607		PIN A	SELECTIVE PARTS			*		1	
14		10012706		PIN B	SELECTIVE PARTS			*		1	
15		10012805		PIN C	SELECTIVE PARTS			*		1	
16		SM8050812TP		SCREW M5X8				*		1	
17		SM8050812TP		SCREW M5X8				*		1	
18		SS9090610TP		SCREW 9/64-40 L=5.5				*		2	
19		RC0100001KP		SNAP RING M10						1	
20		22510051		NEEDLE VIBRATING CAM ASM.						1	
21		22510002		NEEDLE VIBRATING CAM				*		1	
22		22510101		NEEDLE VIBRATING ROD				*		1	
23		22510200		CAM COVER				*		1	
24		SS2110920TP		SCREW 11/64-40 L=8.5				*		2	
25		10011005		SCREW GEAR A	SELECTIVE PARTS					1	
26		10011104		SCREW GEAR B	SELECTIVE PARTS					1	
27		10011203		SCREW GEAR C	SELECTIVE PARTS					1	
28		10011302		SCREW GEAR D	SELECTIVE PARTS					1	
29		26300608		NEEDLE VIBRATING CAM SHAFT						1	
30		10012201		BUSHING						1	
31		10012417		DRIVE LINK GUIDE A						1	
32		10012516		DRIVE LINK GUIDE B						1	
33		26301002		PIN A	SELECTIVE PARTS					1	
34		26301101		PIN B	SELECTIVE PARTS					1	
35		26301200		PIN B	SELECTIVE PARTS					1	
36		26301309		PIN D	SELECTIVE PARTS					1	
37		SS8660610TP		SCREW 1/4-40 L=6						2	
38		SS8660970TP		SCREW 1/4-40 L= 8.5						1	
39		RO069180100		RUBBER RING						1	
40		CS1031210SH		THRUST COLLAR A- SM. D=10.32 W=12						1	
41		CS103121BSH		THRUST COLLAR A- SM. D=10.32 W=12						1	
42	R	SS8150710SP	SS8150710TP	SCREW 15/64-28 L=7						1	1.00
43		SS8660410SP		SCREW 1/4-40 L= 4.2						1	
44		SS8660810TP		SCREW 1/4-40 L=8						1	
45		10014009		SCREW GEAR E	SELECTIVE PARTS					1	

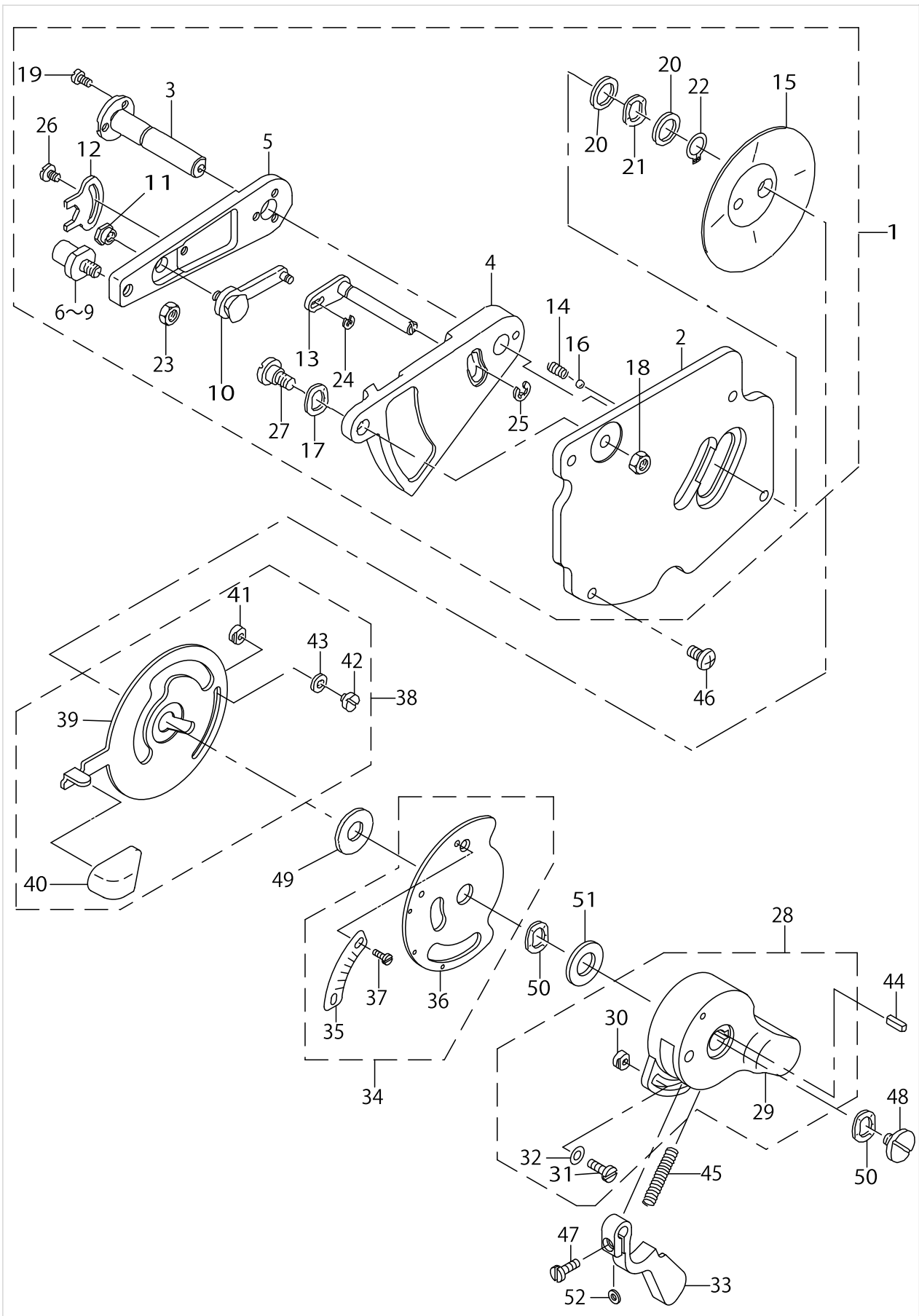
NEEDLE VIBRATOR & ADJUSTMENT COMPONENTS (2)



NEEDLE VIBRATOR & ADJUSTMENT COMPONENTS (2)

No.	Supply Code	Parts No.	Replacement	Parts name	Remarks	Choice	Step	Level	Cons	Qty	Rep. QTY
1		22512057		BASE ASM.						1	
2		26306506		BASE MOUNTING PLATE				*		1	
3		26307306		SHAFT				*		1	
4		26302703		NEEDLE POSITION ADJUSTING BASE				*		1	
5		26301507		ARM				*		1	
6		10016517		SHAFT	SELECTIVE PARTS			*		1	
7		10016210		SHAFT	SELECTIVE PARTS			*		1	
8		10016319		SHAFT	SELECTIVE PARTS			*		1	
9		10016418		SHAFT	SELECTIVE PARTS			*		1	
10		10017168		STOPPER ASM.				*		1	
11		10018000		NUT				*		1	
12		10018109		NUT STOPPER				*		1	
13		10015360		LEVER ASM.				*		1	
14		10017408		SPRING				*		1	
15		10017606		OIL SHIELD				*		1	
16		B2608761000		HAND STOP CRANK SHAFT BALL				*		1	
17		WZ0850302K0		WAVED WASHER 8.5X12.5X0.3				*		3	
18		NS6150310SP		NUT 15/64-28				*		1	
19	R	SS6090620SP	SS6090620TP	SCREW 9/64-40 L=6				*		3	1.00
20		WP1020616SD		WASHER				*		2	
21		WZ1052010KP		WAVED WASHER				*		1	
22		RC0100001KP		SNAP RING M10				*		1	
23		NS6150310SP		NUT 15/64-28				*		1	
24		RE0200000K0		E-RING				*		1	
25		RE0400000K0		E-RING 4				*		1	
26		SS6090520SP		SCREW 9/64-40 L= 5.0				*		1	
27		SD0800402TP		HINGE SCREW D= 8 H= 4				*		1	
28		22512156		KNOB ASM.						1	
29	R	22512107	22512156	KNOB				*		1	1.00
30		10015907		LEVER STOPPER				*		2	
31		SS7090610SP		SCREW 9/64-40 L=6				*		2	
32		WP0371016SD		WASHER 3.7X8X1				*		2	
33		26306803		LEVER						1	
34		22512362		SCALE PLATE ASM.						1	
35		22512313		SCALE PLATE				*		1	
36		26306951		SCALE MOUNTING BASE COMPL.				*		1	
37		SS6080320SP		SCREW 1/8-44 L= 2.5				*		2	
38		26307157		LEVER ASM.						1	
39	R	26307108	26307157	LEVER				*		1	1.00
40		26307207		KNOB				*		1	
41		26306704		LEVER STOPPER				*		2	
42		SS7090410SP		SCREW 9/64-40 L= 3.5				*		2	
43		WP0371016SD		WASHER 3.7X8X1				*		2	
44		10015105		KEY						1	
45		10017705		SPRING						1	
46		SS4120915SP		SCREW 3/16-28 L=9						4	

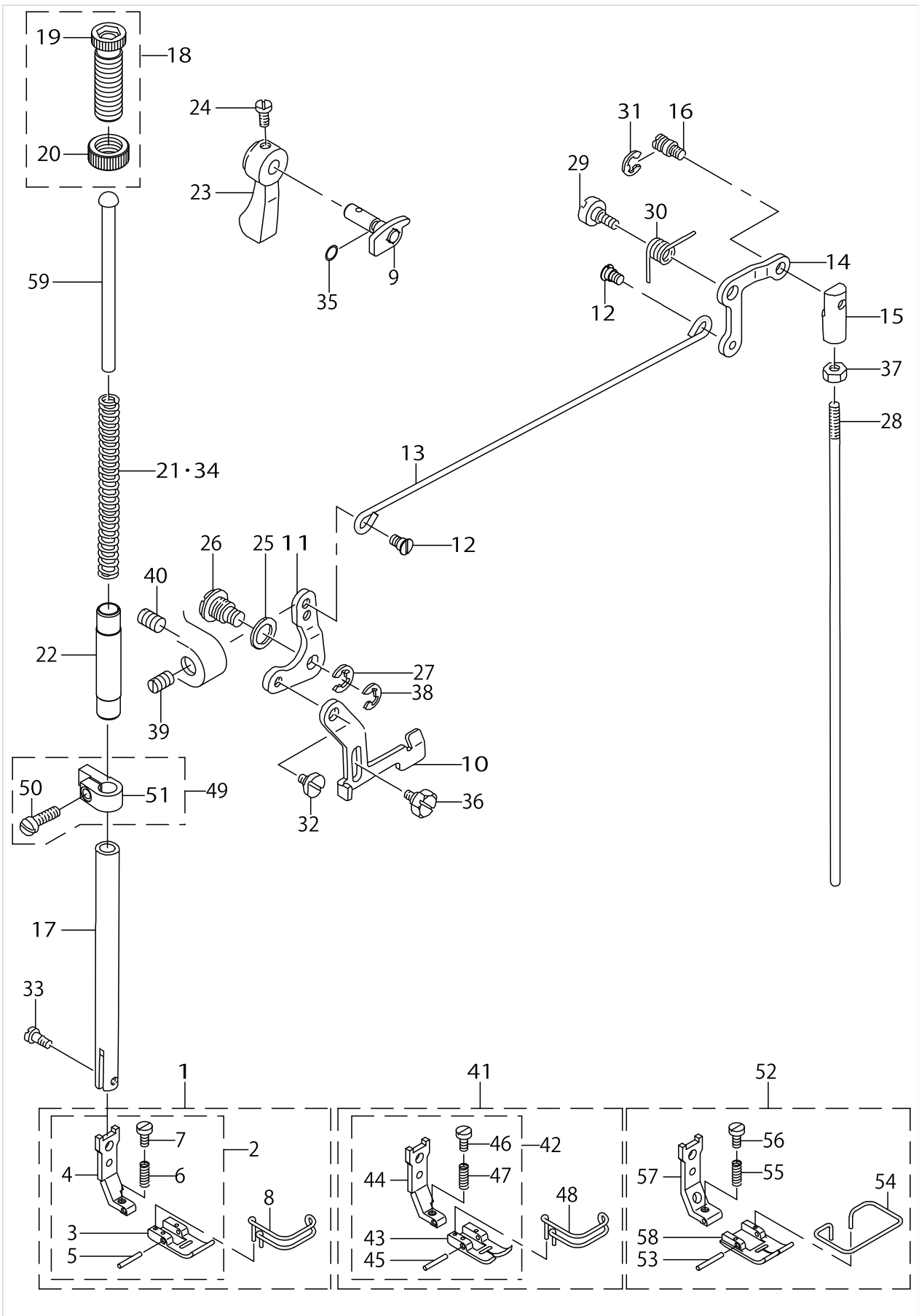
NEEDLE VIBRATOR & ADJUSTMENT COMPONENTS (2)



NEEDLE VIBRATOR & ADJUSTMENT COMPONENTS (2)

No.	Supply Code	Parts No.	Replacement	Parts name	Remarks	Choice	Step	Level	Cons	Qty	Rep. QTY
47		SS7090910TP		SCREW 9/64-40 L=8.5						1	
48		SS7620750SP		SCREW 3/16-32 L=6.5						1	
49		WP1021016SD		WASHER						1	
50		WZ1052010KP		WAVED WASHER						2	
51		WP1020616SD		WASHER						1	
52		WP0371036SD		WASHER 3.7X6X1						1	

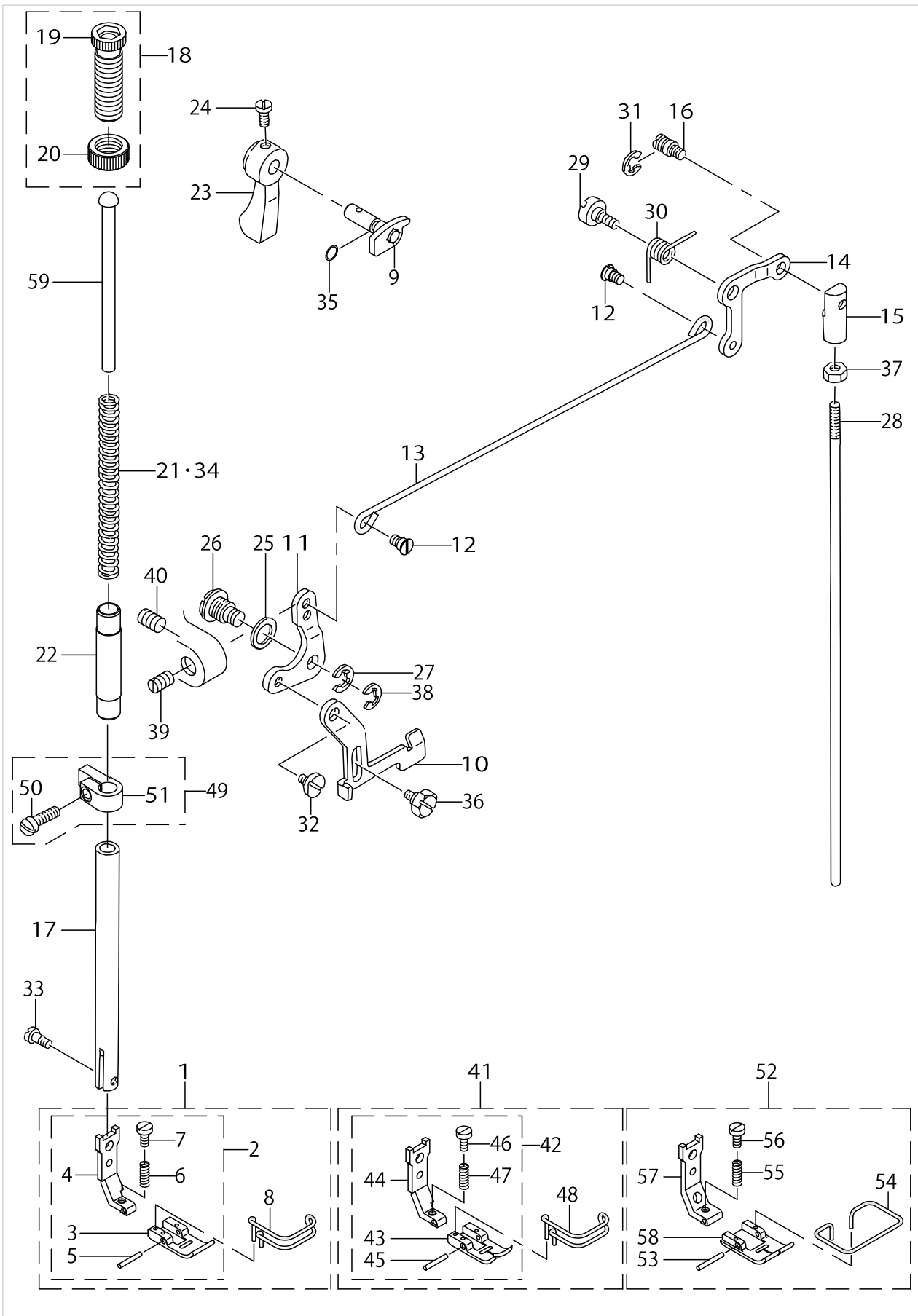
PRESSER BAR & FEED REGULATOR COMPONENTS



PRESSER BAR & FEED REGULATOR COMPONENTS

No.	Supply Code	Parts No.	Replacement	Parts name	Remarks	Choice	Step	Level	Cons	Qty	Rep. QTY
1		22547970		PRESSER FOOT ASM.	VARIOUS NOS.FOR DESTINATIONS					1	
2	R	22547954	22547962	PRESSER FOOT ASM.				*		1	1.00
3		22547913		PRESSER FOOT (LOWER)				*		1	
4	R	22546816	22547970	PRESSER FOOT (UPPER)		A	A:Japan	*		1	1.00
4	R	22546816	22548671	PRESSER FOOT (UPPER)		B	B:JHK, JS	*		1	1.00
4	R	22546816	22547962	PRESSER FOOT (UPPER)		C	C:JA, Japan	*		1	1.00
4	R	22546816	22548663	PRESSER FOOT (UPPER)		D	D:JA, JHK, JS	*		1	1.00
5	D	22547806		PRESSER PIN				*		1	
6		B1525582000		SPRING				*		1	
7		SS6090810SP		SCREW 9/64-40 L= 7.5				*		1	
8		10021202		FINGER COVER				*		1	
9		26307850		HAND LIFTER CAM COMPL.						1	
10		26308007		LIFTING LEVER						1	
11		B1516552000		LIFTING LEVER LINK						1	
12		22908909		HINGE SCREW						2	
13		22908305		LIFTING LEVER CONNECTING ROD						1	
14		B3414555000		LIFTING LEVER LINK ARM						1	
15		B3416555000		SWIVEL						1	
16		B3416552000		CONNECTING ROD HINGE SCREW						1	
17	R	10022010	40125469	PRESSER BAR						1	1.00
18		22907554		PRESSER SPRING REG NUT ASM.						1	
19	R	22907505	22907554	PRESSER SPRING REGULATOR				*		1	1.00
20	R	22907604	22907554	PRESSER SPRING REGULATOR NUT				*		1	1.00
21		22907406		PRESSER SPRING	VARIOUS NOS.FOR DESTINATIONS					1	
22		22907109		PRESSER BAR BUSHING LOWER						1	
23		22907802		HAND LIFTER						1	
24		B1521555000		SCREW						1	
25		B3431581000		LIFTING LEVER GASKET						1	
26		B1517552000		HINGE PIN						1	
27		B1523226000		SNAP RING						1	
28		10022606		CONNECTING ROD VERTICAL						1	
29		GAK33041000		KNEE LIFTING LINK STEP-SCREW						1	
30		GAK33042000		KNEE LIFTING LINK SPRING						1	
31		RE0500000K0		E-RING						1	
32		SD0630301SP		HINGE SCREW D=6.35 H=3						1	
33		SS7090910TP		SCREW 9/64-40 L= 8.5						1	
34		B1505227T00A		PRESSER SPRING T	VARIOUS NOS.FOR DESTINATIONS					1	
35		RO037180100		RUBBER RING						1	
36		SD0630275SP		HINGE SCREW D= 6.35 H= 2.7						1	
37		NS6620310SP		NUT 3/16-32						1	
38		RE0600000K0		E-RING 6						1	
39		SS8151720SP		SCREW						1	
40		SS8150510TP		SCREW 15/64-28 L= 4.7						1	

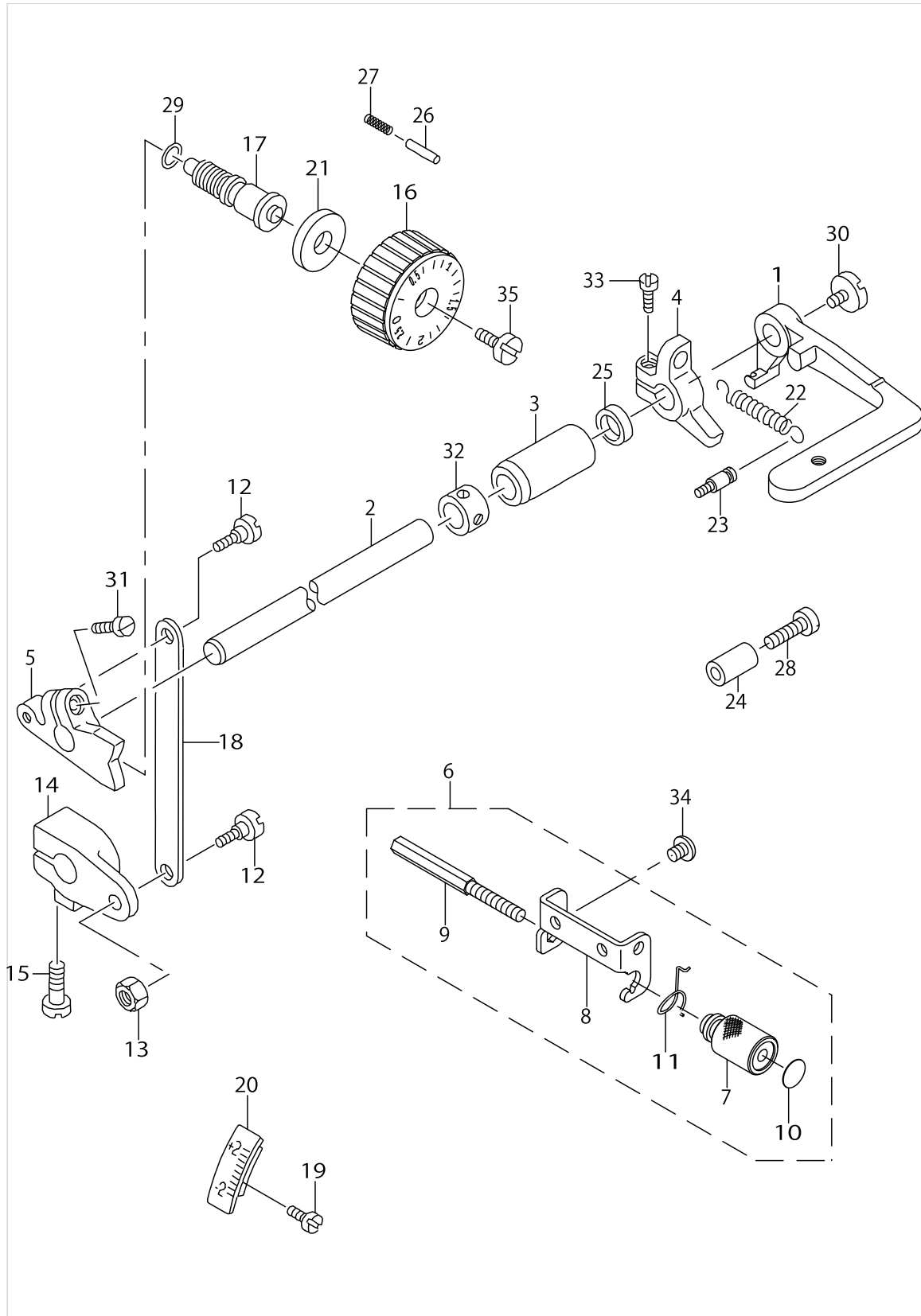
PRESSER BAR & FEED REGULATOR COMPONENTS



PRESSER BAR & FEED REGULATOR COMPONENTS

No.	Supply Code	Parts No.	Replacement	Parts name	Remarks	Choice	Step	Level	Cons	Qty	Rep. QTY
41		22548671		PRESSER FOOT ASM.	VARIOUS NOS.FOR DESTINATIONS					1	
42	R	22548655	22548663	PRESSER FOOT ASM.				*		1	1.00
43	R	22548614	22548671	PRESSER FOOT (LOWER)				*		1	1.00
44	R	22546816	22547970	PRESSER FOOT (UPPER)		A	A:Japan	*		1	1.00
44	R	22546816	22548671	PRESSER FOOT (UPPER)		B	B:JHK, JS	*		1	1.00
44	R	22546816	22547962	PRESSER FOOT (UPPER)		C	C:JA, Japan	*		1	1.00
44	R	22546816	22548663	PRESSER FOOT (UPPER)		D	D:JA, JHK, JS	*		1	1.00
45	D	22547806		PRESSER PIN				*		1	
46		SS6090810SP		SCREW 9/64-40 L= 7.5				*		1	
47		B1525582000		SPRING				*		1	
48		10021202		FINGER COVER				*		1	
49		40070531		PRESSER_BAR_CONNECTION_ASM.						1	
50		SS7111110TP		SCREW 11/64-40 L=10.5				*		1	
51		26302901		PRESSER BAR GUIDE BRACKET				*		1	
52		22548960		PRESSER ASM.	VARIOUS NOS.FOR DESTINATIONS					1	
53		10021103		PRESSER PIN				*		1	
54		22545404		SAFETY COVER				*		1	
55		B1525582000		SPRING				*		1	
56		SS6090810SP		SCREW 9/64-40 L= 7.5				*		1	
57	R	22545206	22547558	PRESSER FOOT (UPPER)				*		1	1.00
58		22548903		PRESSER FOOT (LOWER)				*		1	
59		22907703		PRESSER GUIDE BAR						1	

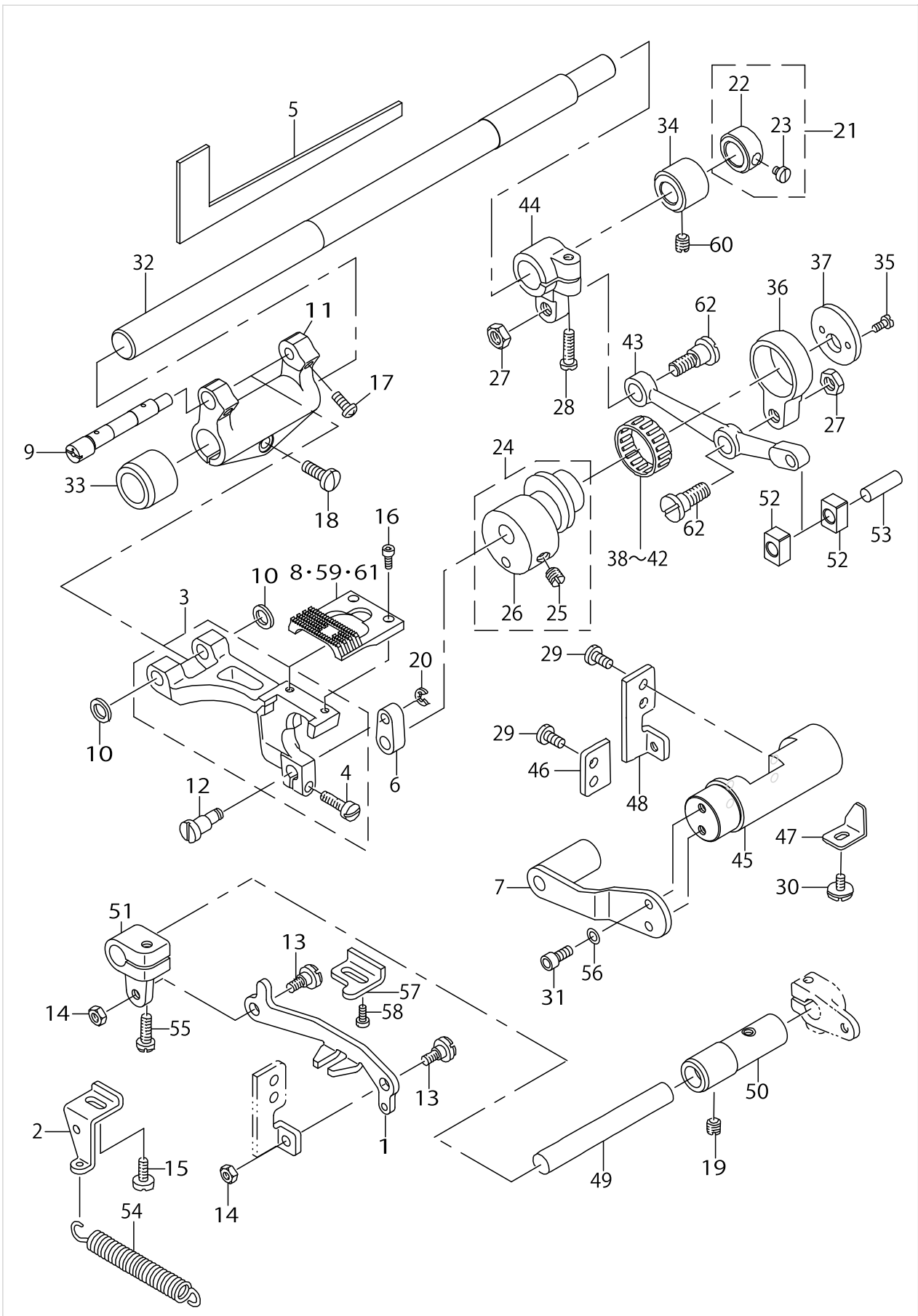
FEED MECHANISM & CONDENSE COMPONENTS



FEED MECHANISM & CONDENSE COMPONENTS

No.	Supply Code	Parts No.	Replacement	Parts name	Remarks	Choice	Step	Level	Cons	Qty	Rep. QTY
1		40056754		LEVER						1	
2		26312405		FEED REGULATOR SHAFT						1	
3		26308205		BUSHING						1	
4		26308353		CONDENSE STOPPER ARM ASM.						1	
5		26308403		FEED DRIVING ADJUSTER						1	
6		40057195		CONDENSE KNOB ASM.						1	
7		40057197		CONDENS KNOB				*		1	
8	R	40057196	40057195	ADJUSTING SCREW BASE				*		1	1.00
9		40057199		ADJUSTING SCREW				*		1	
10	R	26309005	40057195	STOPPER DIAL PLATE				*		1	1.00
11		40057198		KNOB GUIDE				*		1	
12		SD0600321SP		HINGE SCREW D=6 H=3.2						2	
13		NS6120310SP		NUT 3/16-28						1	
14	D	26303602		FEED VARIABLE ARM B						1	
15		SS6121610TP		SCREW 3/16-28 L=15.5						1	
16		26302000		FEED DIAL						1	
17		22519201		ADJUSTING SCREW						1	
18		22519300		FEED REVERSAL LINK						1	
19		SS4120615SP		SCREW 3/16-28 L=6						2	
20		22519805		SCALE PLATE						1	
21		D2468555B00		RUBBER PLUNGER	FOR LZ-228*N-7					1	
22		D2515232D00		TORSION SPRING						1	
23		26226407		TENSION SPRING HOOK						1	
24		22952501		BACK LEVER STOPPER						1	
25	R	B2508704000	40176173	OIL SEAL						1	1.00
26		22912000		FEED REGULATOR PIN						1	
27		22912109		FEED REGULATOR PIN SPRING						1	
28		SS6121840SP		SCREW 3/16-28 L=18						1	
29		RO074240100		RUBBER RING						1	
30		SS7620750SP		SCREW 3/16-32 L=6.5						1	
31		SS7121410TP		SCREW 3/16-28 L=14						1	
32		CS1031210SH		THRUST COLLAR ASM. D=10.32 W=12						1	
33		SS7121410TP		SCREW 3/16-28 L=14						1	
34		SS4120615SP		SCREW 3/16-28 L=6						2	
35		SS6121860SP		SCREW 3/16-28 L=18						1	

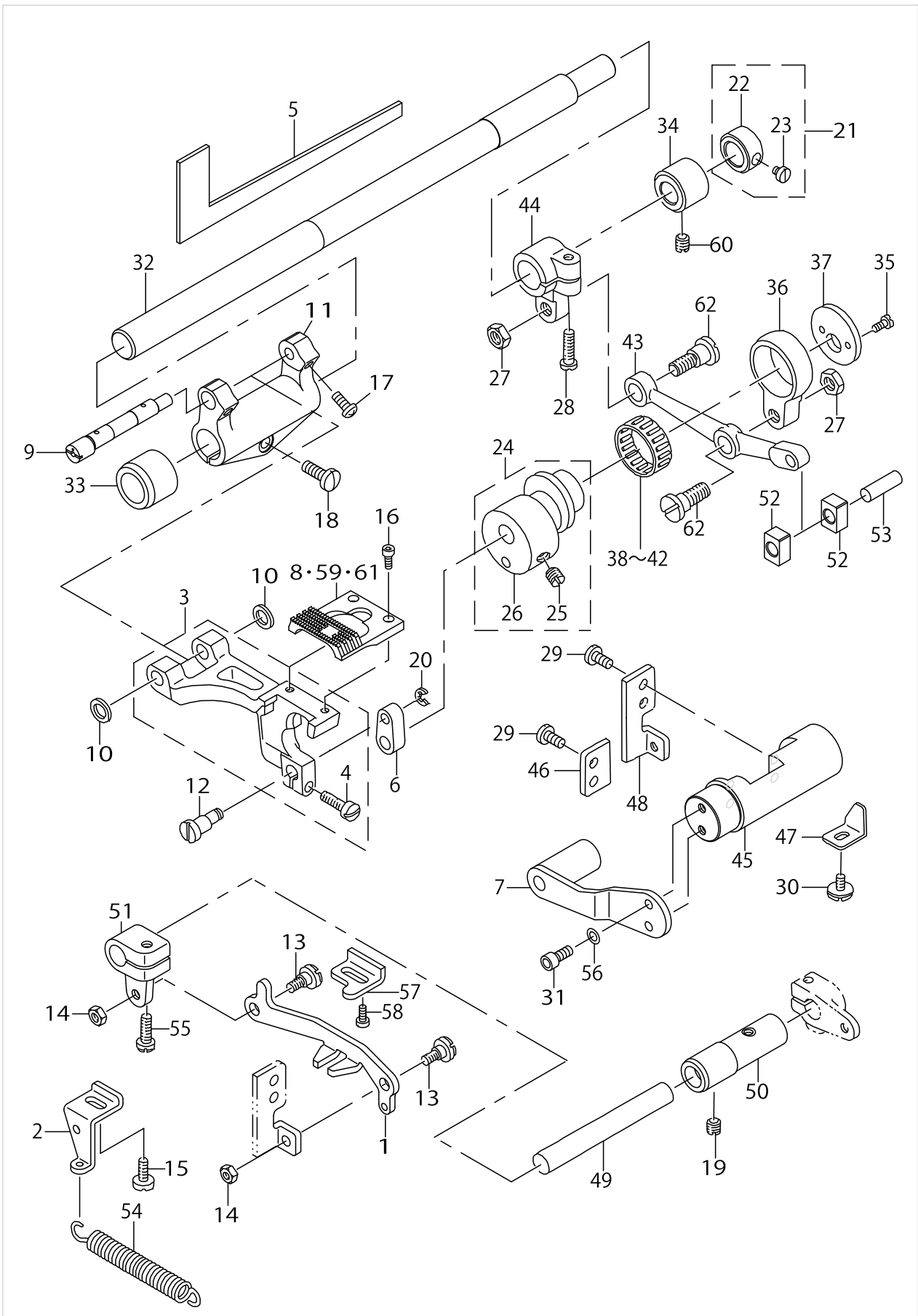
FEED MECHANISM COMPONENTS



FEED MECHANISM COMPONENTS

No.	Supply Code	Parts No.	Replacement	Parts name	Remarks	Choice	Step	Level	Cons	Qty	Rep. QTY
1		26309104		FEED REVERSAL LINK B						1	
2		22519607		TENSION SPRING RACK						1	
3		40031418		FEED BASE ASM.						1	
4		SS7121410TP		SCREW 3/16-28 L=14				*		1	
5		22519904		FELT						1	
6		22520001		LINK						1	
7		26309351		BALANCE WEIGHT COMPL.						1	
8		22548119		FEED DOG	VARIOUS NOS.FOR DESTINATIONS					1	
9		40035702		FEED BASE SHAFT						1	
10		10026201		SPACER						2	
11		40055832		FEED ROCER						1	
12		26303107		LINK SHAFT						1	
13		SD0600321SP		HINGE SCREW D=6 H=3.2						2	
14		NS6120310SP		NUT 3/16-28						2	
15		SS6111140SP		SCREW 11/64-40L=11						1	
16		SS6580752TP		SCREW 1/8-40 L=7						2	
17		SS4120915SP		SCREW 3/16-28 L=9						2	
18		SS7121410TP		SCREW 3/16-28 L=14						1	
19		SS8150510TP		SCREW 15/64-28 L= 4.7						1	
20		RE0300000K0		E-RING 3						1	
21		CS1111010SH		THRUST COLLAR A-SM. D=11.11 W=10						1	
22		CS1111019SH		THRUST COLLAR D=11.11 W=10				*		1	
23		SS6660710TP		SCREW 1/4-40 L=7				*		1	
24		10026763		ECCENTRIC CAM ASM.						1	
25		SS8660810TP		SCREW 1/4-40 L=8				*		2	
26	D	10026706		ECCENTRIC CAM				*		1	
27		NS6680410SP		NUT 9/32-28						2	
28		SS6121610TP		SCREW 3/16-28 L=15.5						1	
29		SS7110910TP		SCREW 11/64-40 L= 8.5						4	
30		SS5110710SP		SCREW 11/64-40 L=7						1	
31		SS6111052TP		SCREW						2	
32		26314906		FEED ROCKERSHAFT						1	
33		B1604141H00		BUSHING FRONT						1	
34		26314500		FEED ROCKER SHAFT BUSHING FRONT						1	
35		SS4080620TP		SCREW 1/8-44 L=6						2	
36		26300509		ROD						1	
37		10026904		SIDE DISC PLATE						1	
38		B1609804A00		BUSHING	SELECTIVE PARTS					1	
39		B1609804B00		NEEDLE BEARING	SELECTIVE PARTS					1	
40		B1609804C00		BEARING	SELECTIVE PARTS					1	
41		B1609804D00		BEARING	SELECTIVE PARTS					1	
42		B1609804E00		BEARING	SELECTIVE PARTS					1	
43		26303206		CONNECTING ROD						1	
44		10027100		FEED ROCKER SHAFT CRANK						1	

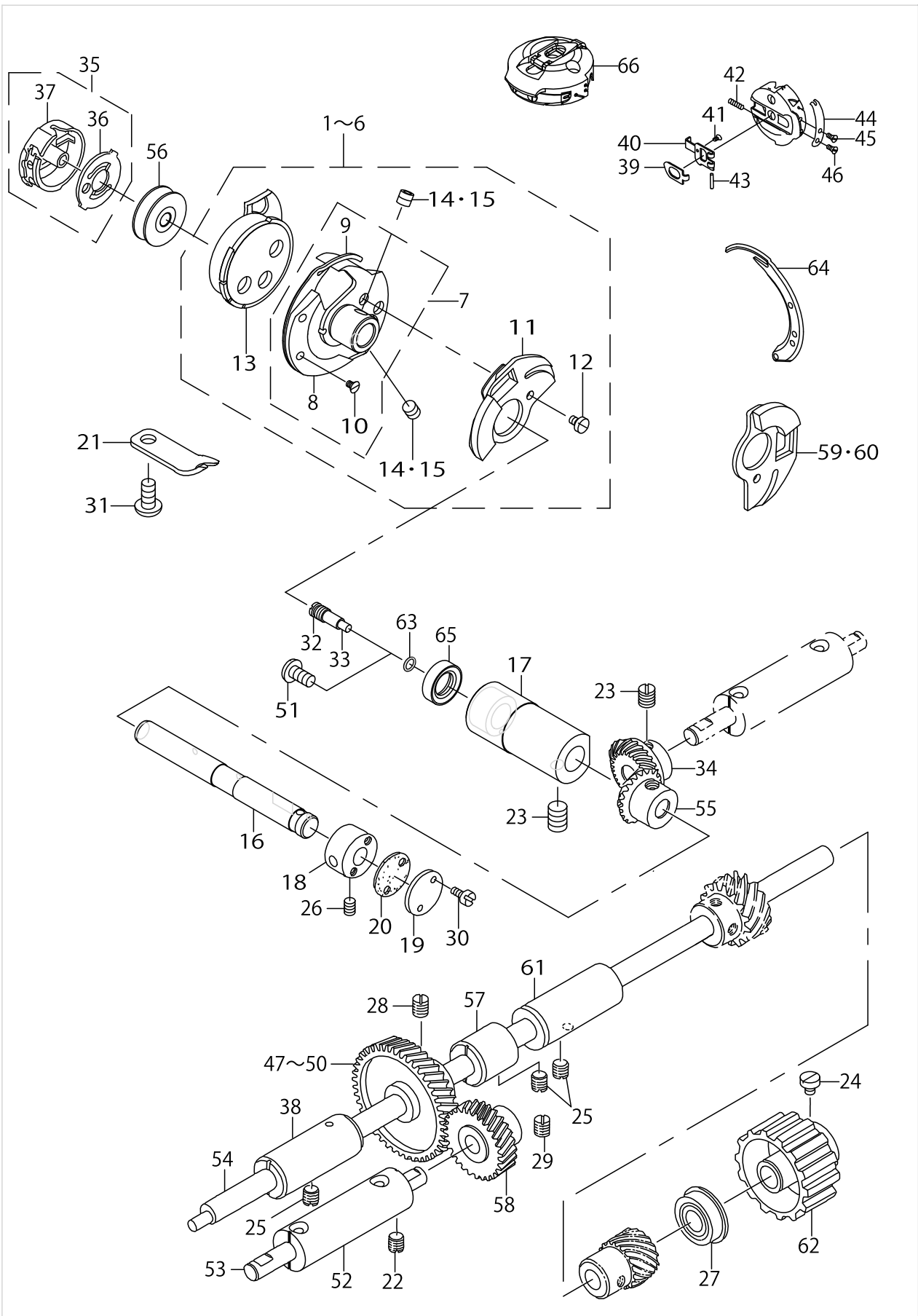
FEED MECHANISM COMPONENTS



FEED MECHANISM COMPONENTS

No.	Supply Code	Parts No.	Replacement	Parts name	Remarks	Choice	Step	Level	Cons	Qty	Rep. QTY
45		40010319		FEED ADJUSTING						1	
46		26303404		PLATE A						1	
47		10027506		STOPPER PLATE						1	
48		10027407		PLATE B						1	
49		26303503		FEED VARIABLE SHAFT						1	
50		40043912		BUSHING						1	
51		26303701		FEED VARIABLE ARM C						1	
52		40050457		FEED DRIVING ROCKER BLOCK						2	
53		40032271		FEED DRIVING ROCKER BLOCK PIN						1	
54		B1646555000		TENSION SPRING						1	
55		SS7121410TP		SCREW 3/16-28 L=14						1	
56		WP0450846SP		WASHER						2	
57		10029304		REVERSE FEED LIMITER						1	
58		SS6111140SP		SCREW11/64-40L=11						1	
59		22545107		FEED DOG	VARIOUS NOS.FOR DESTINATIONS					1	
60	R	SS8150710SP	SS8150710TP	SCREW 15/64-28 L=7						2	1.00
61		22548804		FEED DOG	VARIOUS NOS.FOR DESTINATIONS					1	
62		SD0900701TP		HINGESCREW=9H=7						2	

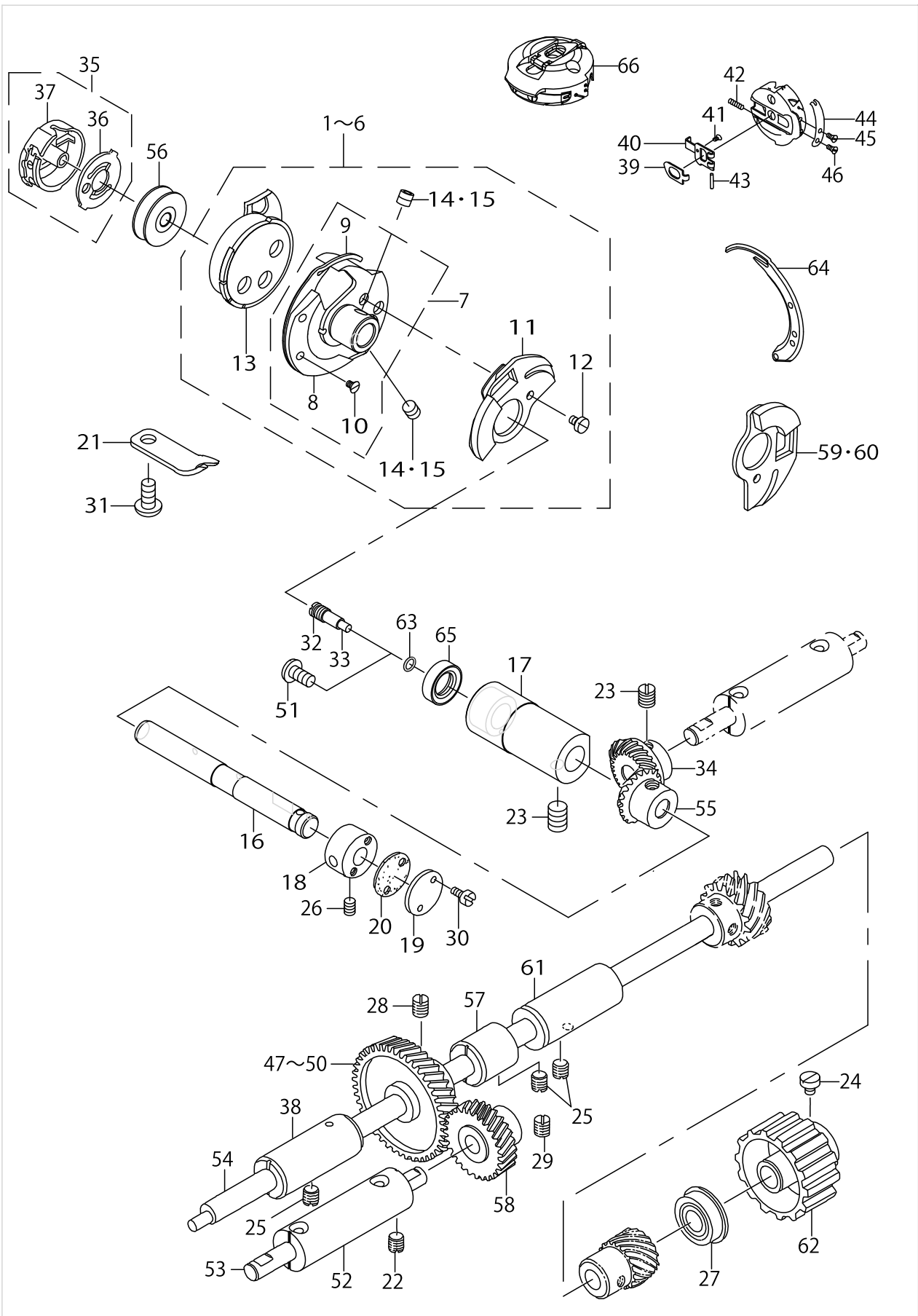
HOOK DRIVING SHAFT & HOOK COMPONENTS



HOOK DRIVING SHAFT & HOOK COMPONENTS

No.	Supply Code	Parts No.	Replacement	Parts name	Remarks	Choice	Step	Level	Cons	Qty	Rep. QTY
1	R	22525059	22525877	HOOK COMPL. RIGHT	SPECIAL ORDER PARTS					1	1.00
2		22525877		HOOK COMPL. V						1	
3		22526677		HOOK COMPL. V (PLASTIC HOOK)	SPECIAL ORDER PARTS					1	
4		22526578		HOOK COMPL. V (HARD POINT)	SPECIAL ORDER PARTS					1	
5	R	22525257	22526578	HOOK COMBINATIO-N (HARD POINT)	SPECIAL ORDER PARTS					1	1.00
6	R	22525752	22526677	HOOK ASM. (PLASTIC)	SPECIAL ORDER PARTS					1	1.00
7		22525968		ROTATING HOOK V ASM.	SPECIAL ORDER PARTS			*		1	
8	R	22525919	22525968	OUTER HOOK V	SPECIAL ORDER PARTS			*		1	1.00
9		23503501		INNER HOOK PRESSER V-S	SPECIAL ORDER PARTS			*		1	
10		10033009		HOOK GIB SCREW	SPECIAL ORDER PARTS			*		2	
11		22526206		REVERSE PLATE V	SPECIAL ORDER PARTS			*		1	
12		10033108		HOOK COUNTER BALANCE SCREW	SPECIAL ORDER PARTS			*		1	
13		22526008		INNER HOOK V	SPECIAL ORDER PARTS			*		1	
14		SS8110422TP		SCREW 11/64-40 L=4	SPECIAL ORDER PARTS			*		2	
15		SS8110520TP		SCREW 11/64-40 L=4.5	SPECIAL ORDER PARTS			*		2	
16		40043050		HOOK SHAFT						1	
17		40043051		HOOK SHAFT BUSHING						1	
18	R	26304303	10031516	HOOK SHAFT BUSHING B						1	1.00
19		10031615		BUSHING CAP						1	
20		10031714		GASKET						1	
21		23503402		INNER HOOK STOPPER						1	
22	R	SS8150710SP	SS8150710TP	SCREW 15/64-28 L=7						1	1.00
23		SS8660810TP		SCREW 1/4-40 L=8						4	
24		SS6660710TP		SCREW 1/4-40 L=7						2	
25	R	SS8150710SP	SS8150710TP	SCREW 15/64-28 L=7						3	1.00
26		SS8150822TP		SCREW 15/64-28 L=8						1	
27		SB109530100		BEARING D=9.52X22.22						1	
28		SS8660810TP		SCREW 1/4-40 L=8						2	
29		SS8660810TP		SCREW 1/4-40 L=8						2	
30		SS4080620TP		SCREW 1/8-44 L=6						2	
31		SS4110915SP		SCREW 11/64-40 L=9						1	
32		22916506		SET SCREW						1	
33		11015906		OIL WICK						1	
34		B13071550A0		GEAR ASM. LARGE						1	
35		40003598		BOBBIN CASE ASM.						1	
36		13729702		BOBBIN CASE SPRING				*		1	
37		40003599		BOBBIN CASE COMPL.				*		1	
38	R	26303800	10030104	BUSHING FRONT						1	1.00
39		19800903		LC-601-1/ LATCH LEVER	SPECIAL ORDER PARTS					1	
40		19801000		LC-602-2/ LATCH	SPECIAL ORDER PARTS					1	

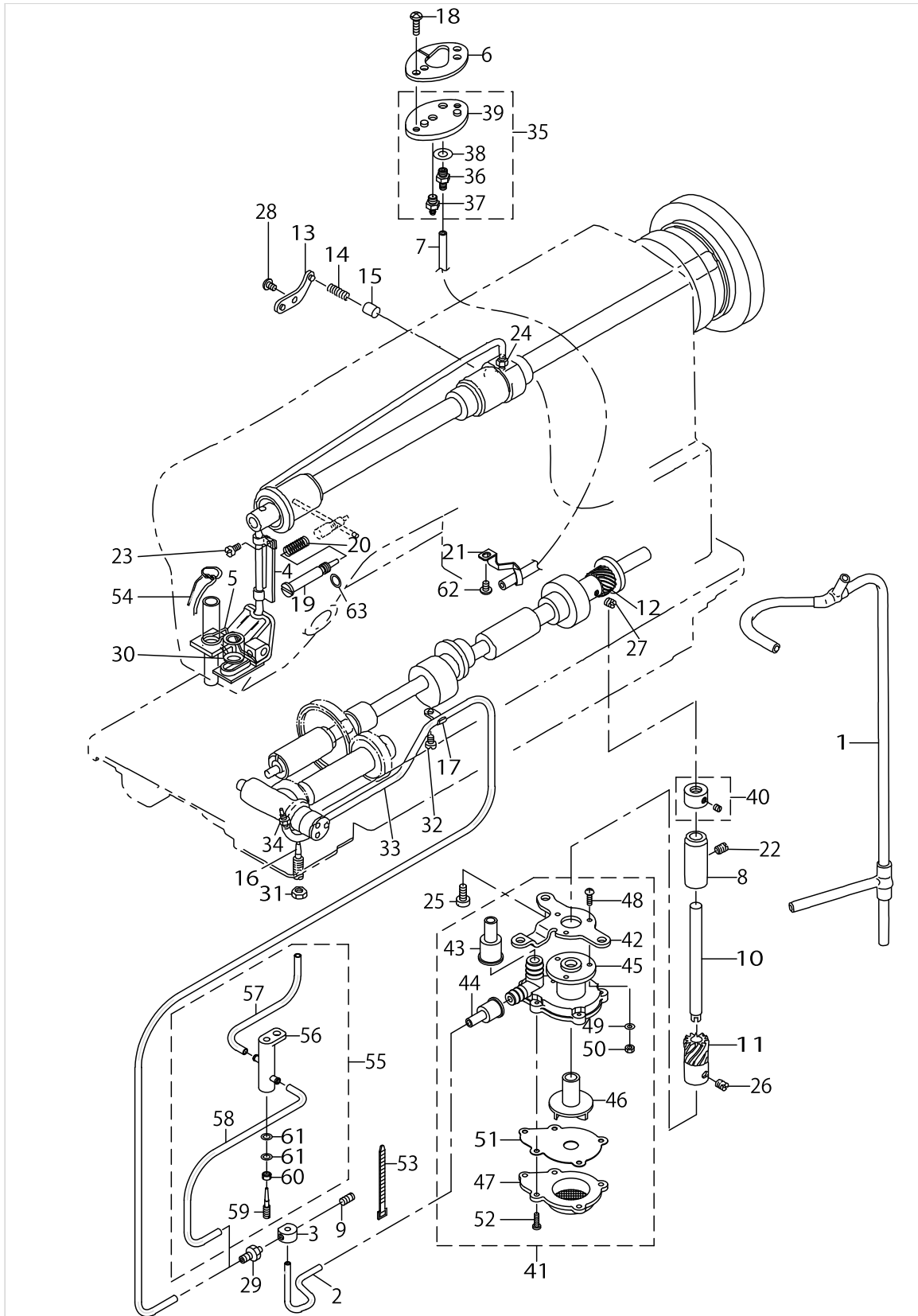
HOOK DRIVING SHAFT & HOOK COMPONENTS



HOOK DRIVING SHAFT & HOOK COMPONENTS

No.	Supply Code	Parts No.	Replacement	Parts name	Remarks	Choice	Step	Level	Cons	Qty	Rep. QTY
41		19801307		SMS-801-B/ SETSCREW PICK-UP	SPECIAL ORDER PARTS					1	
42		19801109		LSP-4/ LATCH SPRING	SPECIAL ORDER PARTS					1	
43		19801208		LFP-1/ LATCH PIN	SPECIAL ORDER PARTS					1	
44		19801406		TSP-604-B/ TENSION SPRING	SPECIAL ORDER PARTS					1	
45		19801505		SMS-608-B/ TENSION SCREW	SPECIAL ORDER PARTS					1	
46		19801604		SMS-609-B/ SETS-CREW TENSION SPRING	SPECIAL ORDER PARTS					1	
47		10030609		HELICAL GEAR A_A	SELECTIVE PARTS					1	
48		10030708		HELICAL GEAR A_B	SELECTIVE PARTS					1	
49	D	10030807		HELICAL GEAR A_C	SELECTIVE PARTS					1	
50		10030906		HELICAL GEAR A_D	SELECTIVE PARTS					1	
51		11079506		FRONT SCREW	SPECIAL ORDER PARTS					1	
52		26309609		BUSHING						1	
53		26309708		SHAFT						1	
54		40010305		HOOK DRIVING SHAFT						1	
55		B13081550A0		PINION ASM.						1	
56		22596704		BOBBIN S						1	
57		26303909		BUSHING						1	
58		10031003		HELICAL GEAR B						1	
59		22524805		REVERSE PLATE	SPECIAL ORDER PARTS					1	
60		22526206		REVERSE PLATE V	SPECIAL ORDER PARTS					1	
61		26304006		BUSHING REAR						1	
62		10030401		HOOK DRIVING SHAFT SPROCKET						1	
63		RO036080200		RUBBER RING						1	
64		23503303		INNERPRESSERV-S4	SPECIAL ORDER PARTS					1	
65		23537202		HOOK SHAFT OIL SEAL						1	
66		40109123		BOBBIN CASE ASM.(THREE HOLE)	SPECIAL ORDER PARTS					1	

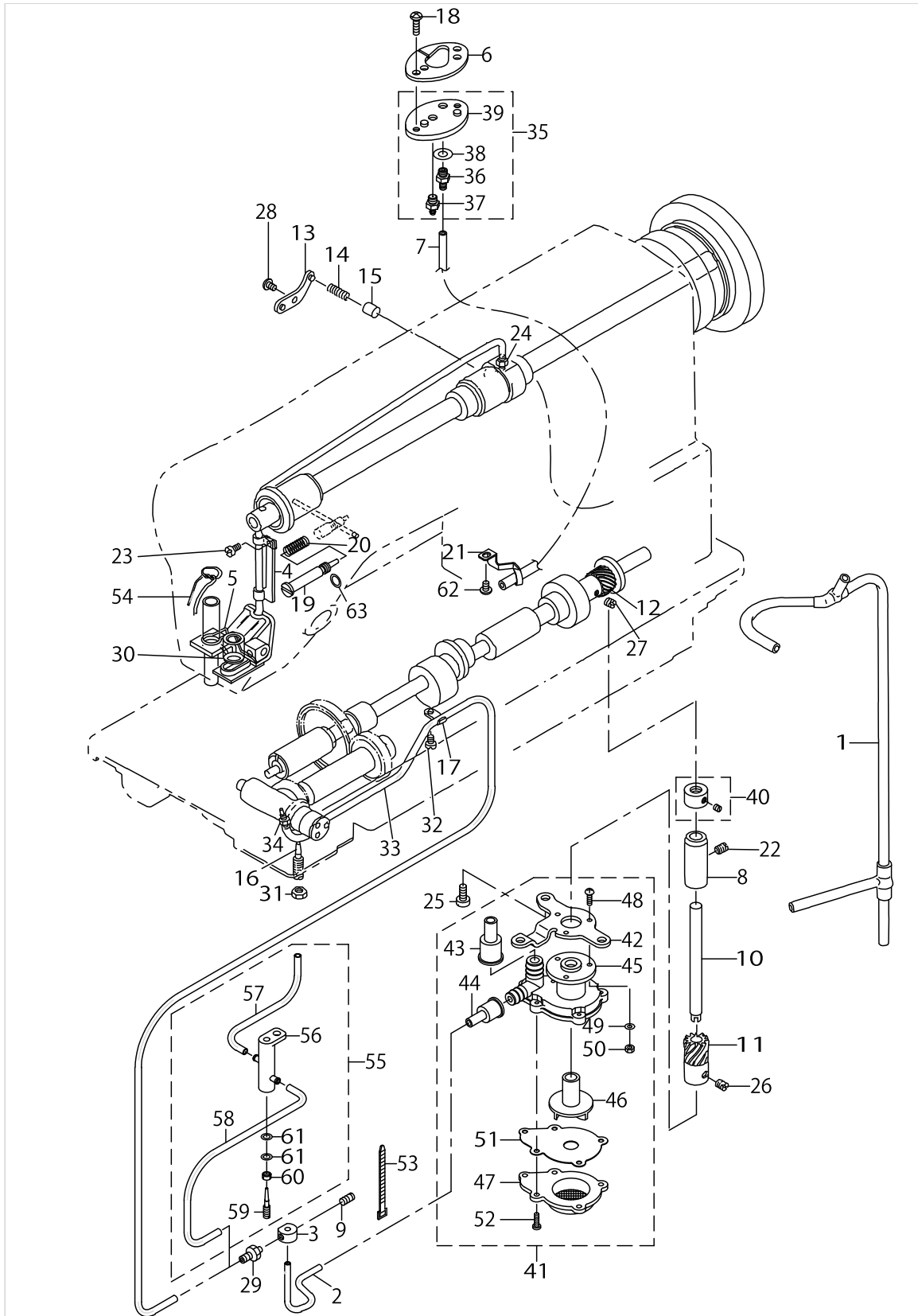
LUBRICATION COMPONENTS



LUBRICATION COMPONENTS

No.	Supply Code	Parts No.	Replacement	Parts name	Remarks	Choice	Step	Level	Cons	Qty	Rep. QTY
1		26315150		OIL SUPPLY PIPE ASM.						1	
2		26315200		OIL SUPPLY PIPE						1	
3		40035544		DISTRIBUTOR						1	
4		22531552		FELT ASM.						1	
5		26311902		FELT PRESSER						1	
6		40070261		GASKET						1	
7		BT0500300EA		OIL TUBE						.3	
8		10035301		BUSHING						1	
9	R	SS8110510SP	SS8110520TP	SCREW 11/64-40 L=5						1	1.00
10		26315408		UPRIGHT SHAFT						1	
11		10035111		PUMP DRIVING GEAR						1	
12		10035004		PUMP DRIVING GEAR A						1	
13		B3524552000		PLUNGER THRUST PLATE						1	
14		B1214038000		PLUNGER SPRING						1	
15		B3534155000		PLUNGER						1	
16		10037109		OIL REGULATING SCREW						1	
17		B3538112000		OIL RETURN TUBE HOLDER	VARIOUS NOS. FOR DESTINATIONS					1	
18		SS4111415SP		SCREW 11/64-40 L=14						2	
19		26304501		OIL REGULATING SCREW						1	
20		22924906		OIL REGULATOR SCREW SPRING						1	
21		40009373		OIL FELT GUIDE						1	
22	R	SS8150710SP	SS8150710TP	SCREW 15/64-28 L=7						1	1.00
23		SS4110715SP		SCREW 11/64-40 L=7						1	
24		SQ1110402MZ		CONNECTING SCREW						1	
25		SS6111140SP		SCREW 11/64-40 L=11						2	
26		SS8660530TP		SCREW 1/4-40 L= 4.5						2	
27		SS8660530TP		SCREW 1/4-40 L= 4.5						2	
28		SS4110615SP		SCREW 11/64-40 L=6						1	
29		SQ1110402MZ		CONNECTING SCREW						1	
30		CQ202000000		OIL WICK						.2	
31		NS6150310SP		NUT 15/64-28						1	
32		SS4110515SP		SCREW 11/64-40 L=5						1	
33		BT0500300EA		OIL TUBE	VARIOUS NOS. FOR DESTINATIONS					.33	
34		SQ1110402MZ		CONNECTING SCREW						2	
35		40070259		OIL_TANK_ASM.						1	
36		SQ2060451MZ		CONNECTING SCREW				*		1	
37		40070262		CONNECTING SCREW				*		1	
38		WP0621016SD		WASHER 6.2X13X1				*		1	
39		40070260		OIL_TANK				*		1	
40		22917058		THRUST COLLAR ASM. FRONT						1	
41		40020337		OIL PUMP ASM.						1	
42	R	40020342	40020337	OIL PUMP INSTALLING BASE				*		1	1.00
43	R	40020343	40020337	RUBBER JOINT				*		1	1.00
44	R	40020344	40020337	RUBBER JOINT				*		1	1.00

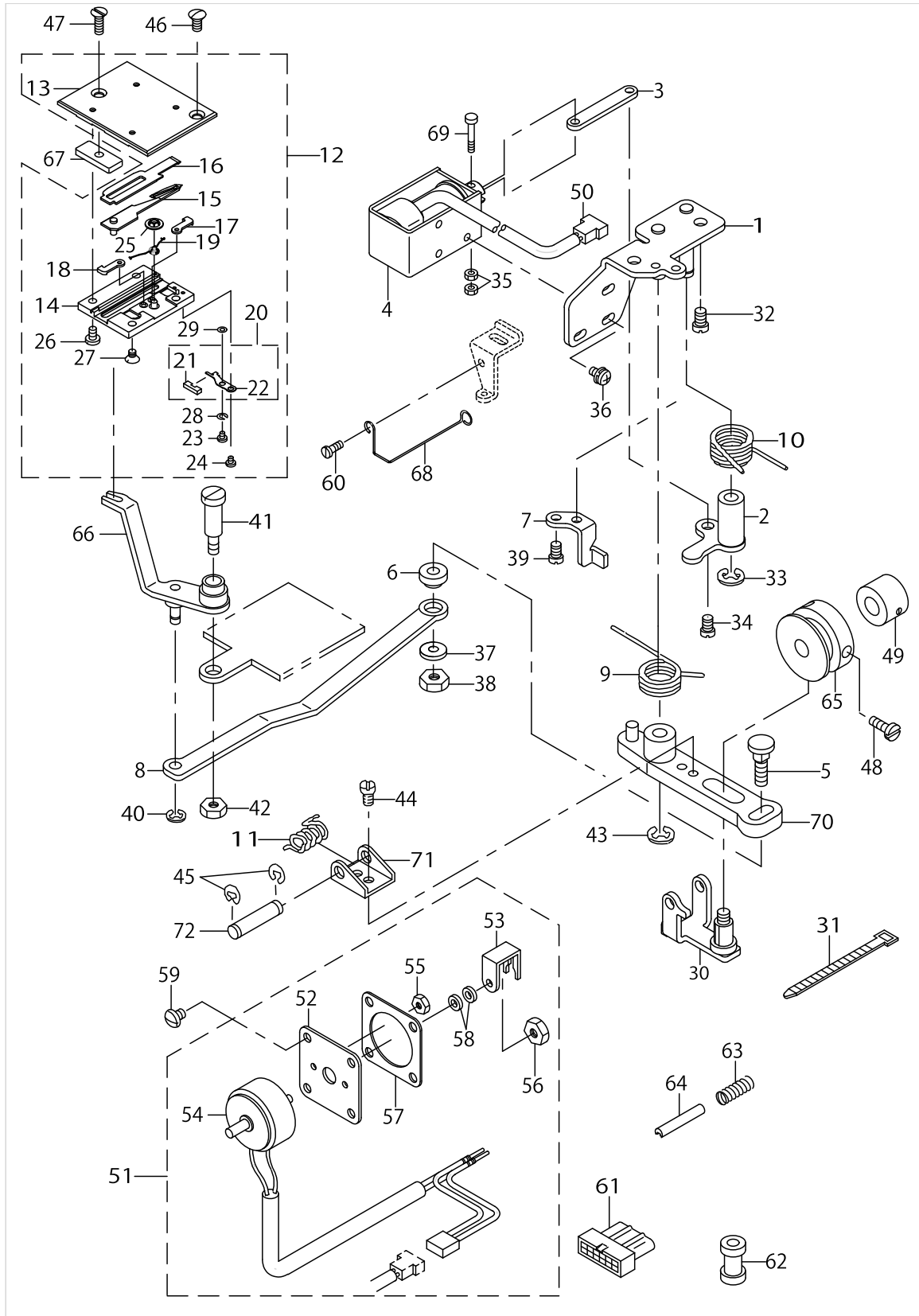
LUBRICATION COMPONENTS



LUBRICATION COMPONENTS

No.	Supply Code	Parts No.	Replacement	Parts name	Remarks	Choice	Step	Level	Cons	Qty	Rep. QTY
45	R	40020338	40020337	OIL PUMP				*		1	1.00
46	R	40020345	40020337	OIL PUMP IMPELLER				*		1	1.00
47	R	40020346	40020337	OIL PUMP COVER				*		1	1.00
48		SM4031001SC		SCREW M3X0.5 L=10				*		3	
49		WT0320002KZ		WASHER				*		3	
50	D	NM60300000E		NUT M3X0.5				*		3	
51	R	40020341	40020337	OIL PUMP IMPELLER COVER				*		1	1.00
52		SE4301031SR		SCREW				*		5	
53		EA9500B0100		CABLE BAND						1	
54		CQ202000000		OIL WICK						.2	
55		40069742		OIL REGULATING VALVE ASM.	VARIOUS NOS. FOR DESTINATIONS					1	
56		40069741		OIL REGULATING VALVE				*		1	
57		BT0500300EA		OIL TUBE				*		0.15	
58		BT0500300EA		OIL TUBE				*		0.2	
59	R	10623601	40032448	OIL ADJUSTING SCREW				*		1	1.00
60		NS6110310SP		NUT 11/64-40				*		1	
61		WP0450846SP		WASHER				*		2	
62		SS4110615SP		SCREW 11/64-40 L=6						1	
63		RO029180100		RUBBER RING						1	

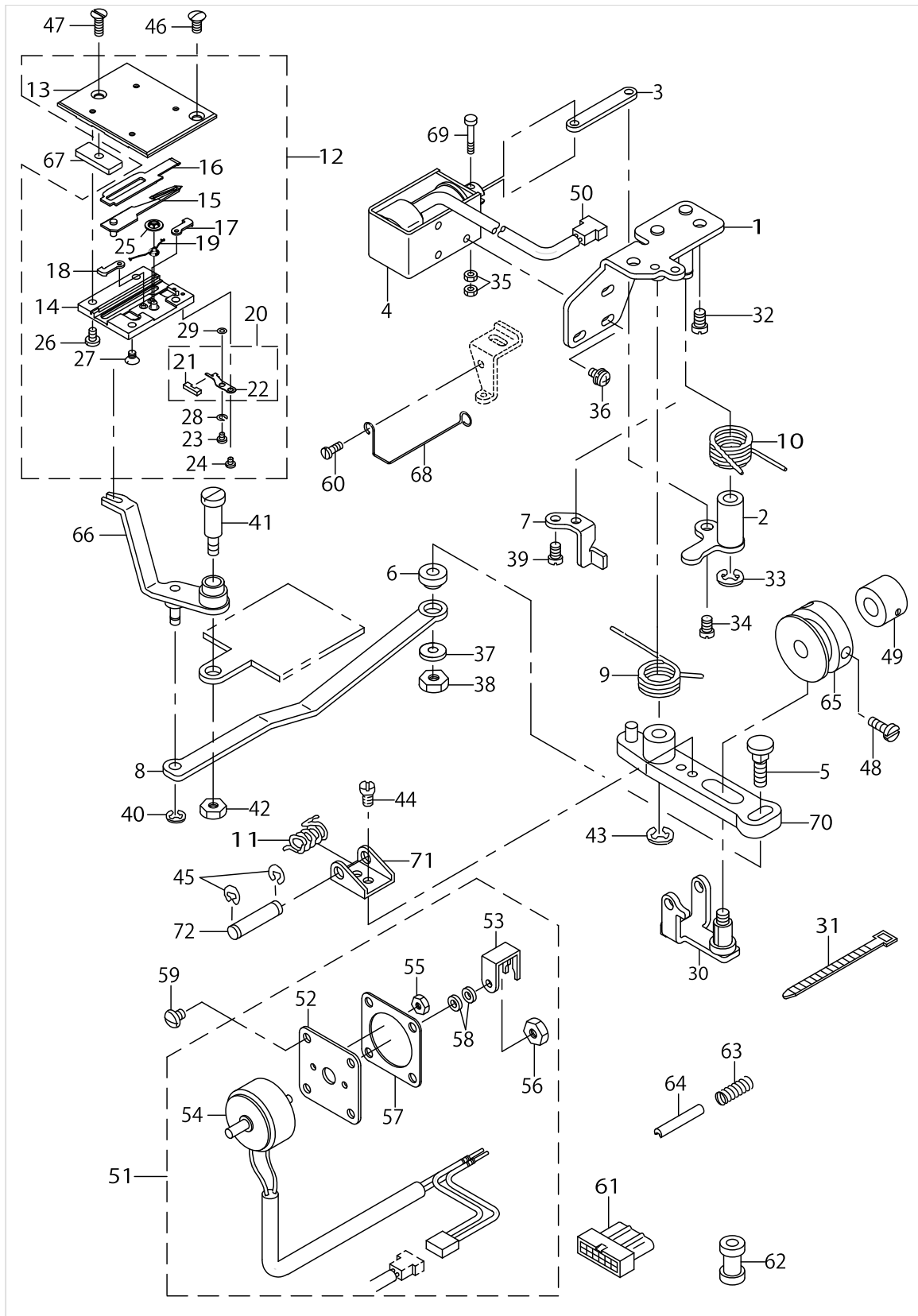
THREAD TRIMMER MECHANISM COMPONENTS



THREAD TRIMMER MECHANISM COMPONENTS

No.	Supply Code	Parts No.	Replacement	Parts name	Remarks	Choice	Step	Level	Cons	Qty	Rep. QTY
1		22554158		BASE PLATE ASM.						1	
2		22554356		CLUTCH PLATE ASM.						1	
3		22554505		CLUTCH LINK						1	
4		40106079		THREAD_TRIMMER_SOLENOID						1	
5		40010295		MOVING KNIFE LINK PIN						1	
6		22554802		MOVING KNIFE LINK BASE						1	
7		22554901		DRIVING ARM STOPPER						1	
8		22555007		MOVING KNIFE LINK						1	
9		22555106		KNIFE RETURN SPRING						1	
10		22555205		CLUTCH SPRING						1	
11		22555304		ROLLER RETURN SPRING						1	
12		22557458		KNIFE UNIT						1	
13		22558308		SLIDING PLATE				*		1	
14		22558407		KNIFE BASE				*		1	
15		22557557		DRIVING KNIFE ASM.				*		1	
16		22557706		FIXED KNIFE				*		1	
17		22557805		KNIFE STOPPER RIGHT				*		1	
18		22557904		KNIFE STOPPER LEFT				*		1	
19		22558209		SPRING				*		1	
20		22558159		CLAMP PLATE ASM.				*		1	
21		22558001		FELT				*		1	
22		22558100		CLAMP PLATE				*		1	
23		SS7060310SP		SCREW 3/32-56 L=3				*		1	
24		SS7060310SP		SCREW 3/32-56 L=3				*		1	
25		NP210300000		LOCATING SPRING WASHER				*		1	
26		SS7090610SP		SCREW 9/64-40 L=6				*		2	
27		SS1090510SP		SCREW 9/64-40 L=5				*		2	
28		WS0270002KN		SPRING WASHER M2.6				*		1	
29		D2056772B0B		WASHER B T=0.4				*		1	
30		22555858		ROLLER ARM ASM.						1	
31		EA9500B0100		CABLE BAND						2	
32		SS4150915SP		SCREW 15/64-28 L=9						2	
33		RE0600000K0		E-RING 6						1	
34		SD0600291TP		HINGE SCREW D=6 H=2.9						1	
35		NM6030001SB		NUT M3						2	
36		SL4040881SC		SCREW M4 L=8						3	
37		WP0621016SH		WASHER						1	
38		NS6150430SP		NUT 15/64-28						1	
39		SS4110915SP		SCREW 11/64-40 L=9						2	
40		RE0500000K0		E-RING						1	
41		SD0791503SP		HINGE SCREW D=7.94 H=15						1	
42		NS6150310SP		NUT 15/64-28						1	
43		RE0600000K0		E-RING 6						1	
44		SS7090610SP		SCREW 9/64-40 L=6						1	
45		RE0400000K0		E-RING 4						2	
46		SS2110920TP		SCREW 11/64-40 L=8.5						1	

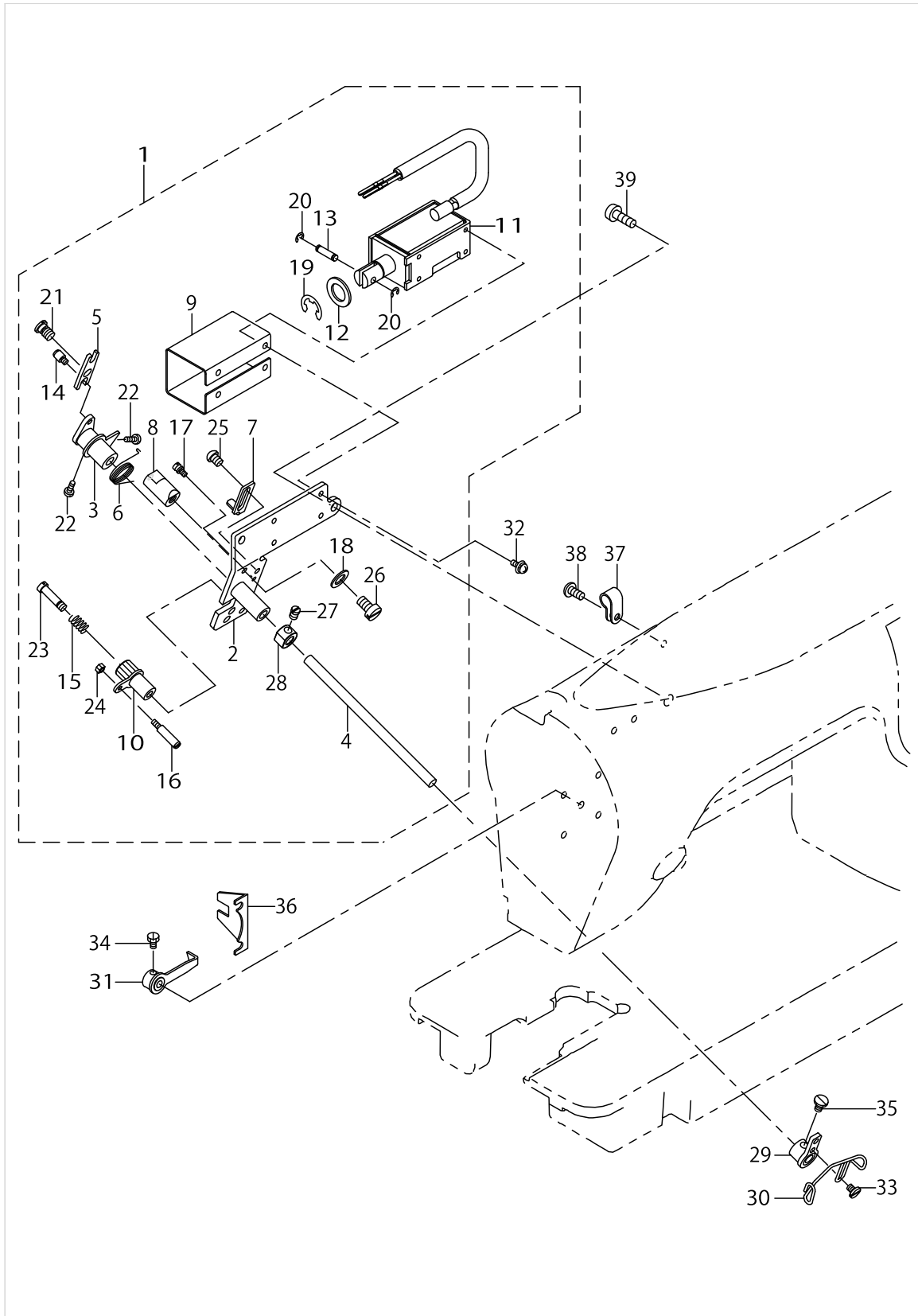
THREAD TRIMMER MECHANISM COMPONENTS



THREAD TRIMMER MECHANISM COMPONENTS

No.	Supply Code	Parts No.	Replacement	Parts name	Remarks	Choice	Step	Level	Cons	Qty	Rep. QTY
47		SS2111010TP		SCREW 11/64-40 L=9.5						1	
48		SS6660710TP		SCREW 1/4-40 L=7						2	
49		CS095101BSH		THRUST COLLAR A-SM. D=9.53 W=10						1	
50		HK00443002A		HOUSING 2P						1	
51		22552764		SOLENOID ASM.						1	
52		22552806		SOLENOID FITTING BASE				*		1	
53		22552905		THREAD RELEASE PUSH PLATE				*		1	
54	R	22552756	22552764	THREAD RELEASE SOLENOID ASM.				*		1	1.00
55		NM6030001SC		NUT M3				*		2	
56		NM6040001SN		NUT M4X0.7				*		1	
57		22501704		GASKET				*		1	
58		13705603		FRAME SIDE COVER GASKET				*		2	
59		SS4120615SP		SCREW 3/16-28 L=6						4	
60		SS4110515SP		SCREW 11/64-40 L=5						1	
61		HK034610140		HOUSING 14P						1	
62		D2467555B00		RUBBER PLUG						2	
63		16194300		SPRING						1	
64		PS0300182KF		SPRING PIN 3X18						1	
65		22558506		THREAD CUTTING CAM B						1	
66		22555551		FORK KNIFE ASM.						1	
67		22556906		FIXED PLATE						1	
68		22557003		CORD PRESSER						1	
69		23542418		CLUTCH LINK PIN						1	
70		22948558		KNIFE DRIVING ARM ASM.						1	
71	R	11041308	22949002	ROLLER ARM BRACKET						1	1.00
72	R	11041407	22949101	ROLLER FULCRUM SHAFT						1	1.00

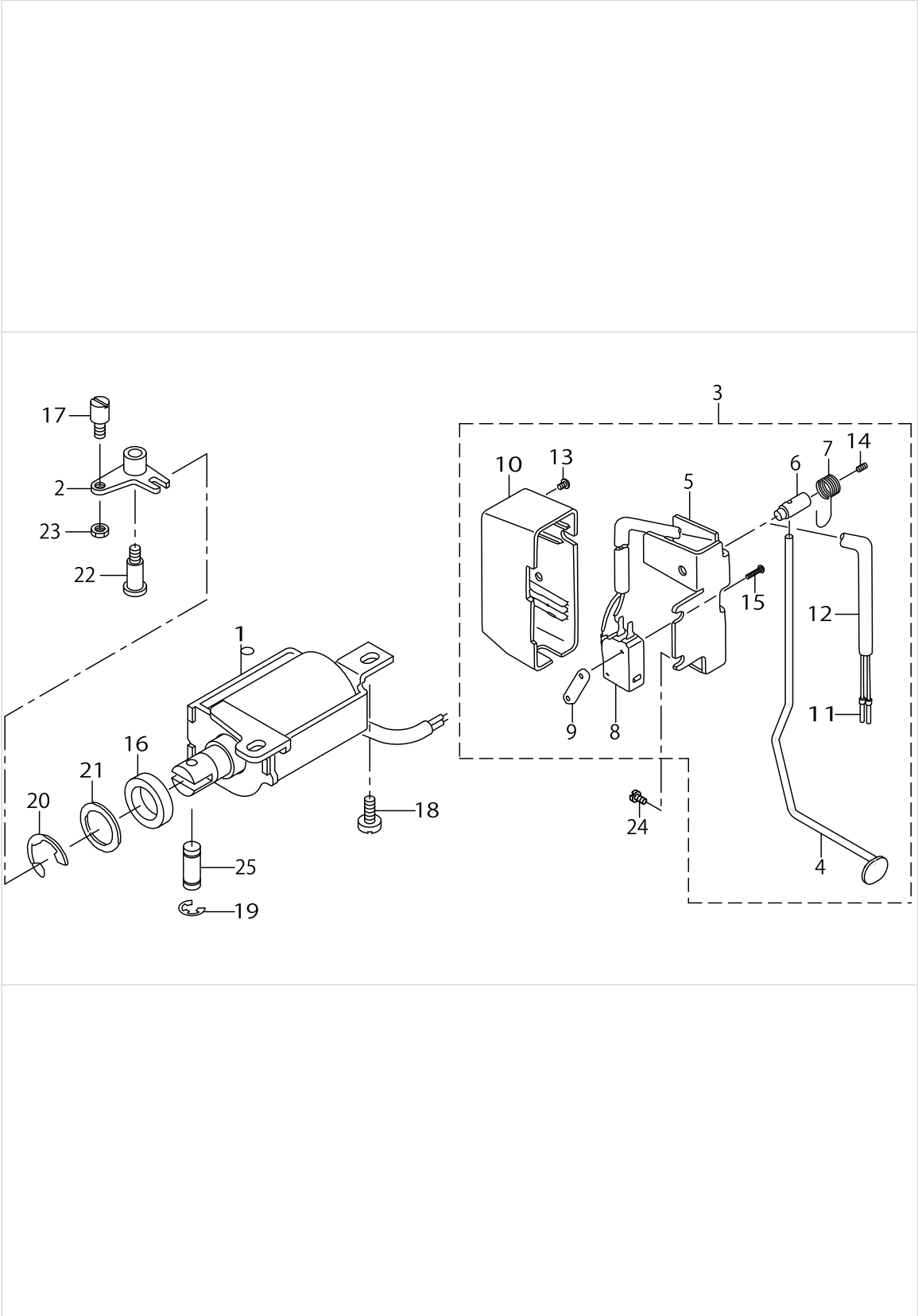
UPPER THREAD FEEDER COMPONENTS



UPPER THREAD FEEDER COMPONENTS

No.	Supply Code	Parts No.	Replacement	Parts name	Remarks	Choice	Step	Level	Cons	Qty	Rep. QTY
1		22564157		THREAD FEEDER ASM.						1	
2		22564256		FITTING BASE COMPL.				*		1	
3		22564454		FEED LEVER COMPL.				*		1	
4		22564702		FEED LEVER SHAFT				*		1	
5		22564801		LINK				*		1	
6		22565204		FEED LEVER SPRING				*		1	
7		22565303		STOPPER				*		1	
8		40116710		SHAFT				*		1	
9		22565501		SOLENOID COVER				*		1	
10		22565659		PLATE				*		1	
11		22565857		SOLENOID COMPL.				*		1	
12		11234408		SOLENOID RUBBER				*		1	
13		11234507		PLUNGER CONNECTING PIN				*		1	
14		B2560372000		BUTTON CLAMP STOP PIN				*		1	
15		B2626372000		SPRING				*		1	
16	R	B2034372000	26020503	THREAD RELEASING SCREW STUD				*		1	1.00
17	R	B2024771000	40009196	SUSPENSION SCREW				*		1	1.00
18		WP0621046SP		WASHER				*		1	
19		RE0900000K0		E-RING 9				*		1	
20		RE0300000K0		E-RING 3				*		2	
21		SD0640241SP		HINGE SCREW D= 6.35 H= 2.4				*		1	
22		SS7110540SP		SCREW 11/64-40 L=5				*		2	
23		SD0481451SP		HINGE SCREW D= 4.80 H=14.5				*		1	
24		NS6080340SP		NUT 1/8-44				*		1	
25		SS4120615SP		SCREW 3/16-28 L=6				*		1	
26		SM6061010TP		SCREW M6 L=10				*		1	
27		SS7110540SP		SCREW 11/64-40 L=5				*		2	
28		CS0640863SH		THRUST COLLAR D=6.35 W=8				*		1	
29		22564959		FITTING PLATE COMPL.						1	
30		22565105		WIRE						1	
31		22566152		STOPPER PLATE COMPL.						1	
32		SL4030881SF		SCREW M3 L=8						4	
33		SS6090540SP		SCREW 9/64-40 L=5.0						2	
34		SS9090610TP		SCREW 9/64-40 L=5.5						2	
35		SS9110620TP		SCREW						2	
36		22566301		STOPPER PLATE GUIDE						1	
37		HX00123000A		CABLE CLIP	FOR LZ-22-8*N-7-00					1	
38		SS4121015SP		SCREW 3/16-28 L=10	FOR LZ-22-8*N-7-00					1	
39		SS4120915SP		SCREW 3/16-28 L=9						2	

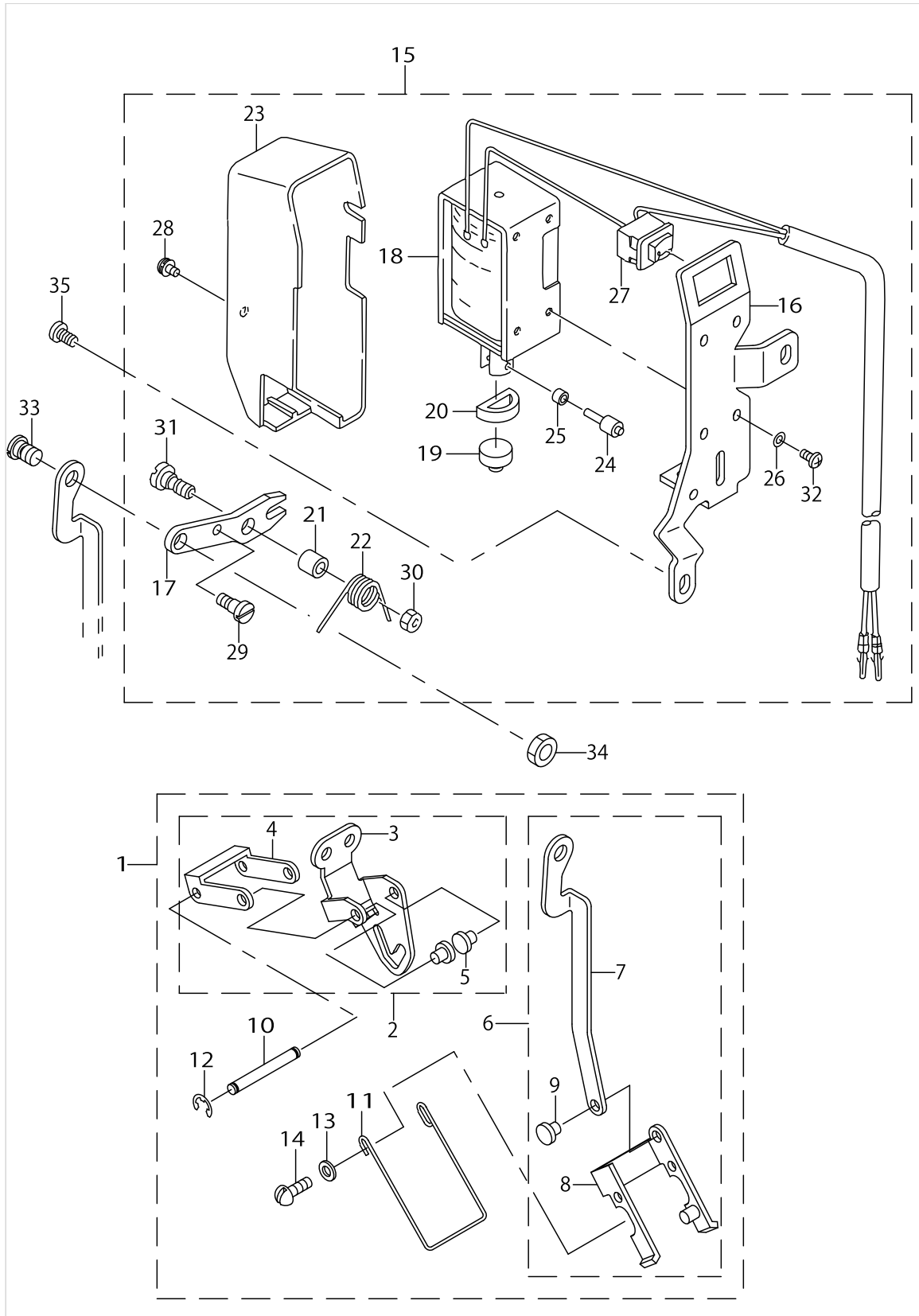
AUTOMATIC REVERSE FEED MECHANISM COMPONENTS



AUTOMATIC REVERSE FEED MECHANISM COMPONENTS

No.	Supply Code	Parts No.	Replacement	Parts name	Remarks	Choice	Step	Level	Cons	Qty	Rep. QTY
1		40108060		REVERSE FEED SOLENOID ASM.						1	
2		22544159		REVERSE FEED MA- GNET LINK ASM.						1	
3		22559850		REVERSE FEED SWITCH ASM.						1	
4		22559900		REVERSE FEED SWITCH LEVER				*		1	
5	R	11102001	22954101	REVERSE FEED SWITCH BASE				*		1	1.00
6	R	11102100	22954200	REVERSE FEED SWITCH SHAFT				*		1	1.00
7	R	11102209	22954309	REVERSE FEED SWITCH SPRING				*		1	1.00
8		HA001900000		MICROSWITCH				*		1	
9	R	11102308	22954408	MICRO SWITCH PLATE				*		1	1.00
10	R	11072501	22954606	REVERSE FEED SWITCH COVER				*		1	1.00
11		HK03464000B		PIN CONTACT				*		2	
12		HW500070000		2-CORE CABTYRE CORD				*		1.5	
13		SM4040655SP		SCREW M4 L=6				*		1	
14		SM8040802TP		SCREW M4X8				*		1	
15		SM4031501SC		SCREW M3 L=15				*		2	
16		D2468555B00		RUBBER PLUNGER						1	
17		B1213372000		SCREW						1	
18		SS4150915SP		SCREW 15/64-28 L=9						2	
19		RE0400000K0		E-RING 4						2	
20		RE1200000K0		E-RING 12						1	
21		WP1602616SZ		WASHER 16X24X2.6						1	
22		SD0791503SP		HINGE SCREW D=7.94 H=15						1	
23		NS6150310SP		NUT 15/64-28						1	
24		SS4120615SP		SCREW 3/16-28 L=6						2	
25	R	11101003	22953509	PLUNGER ARM PIN						1	1.00

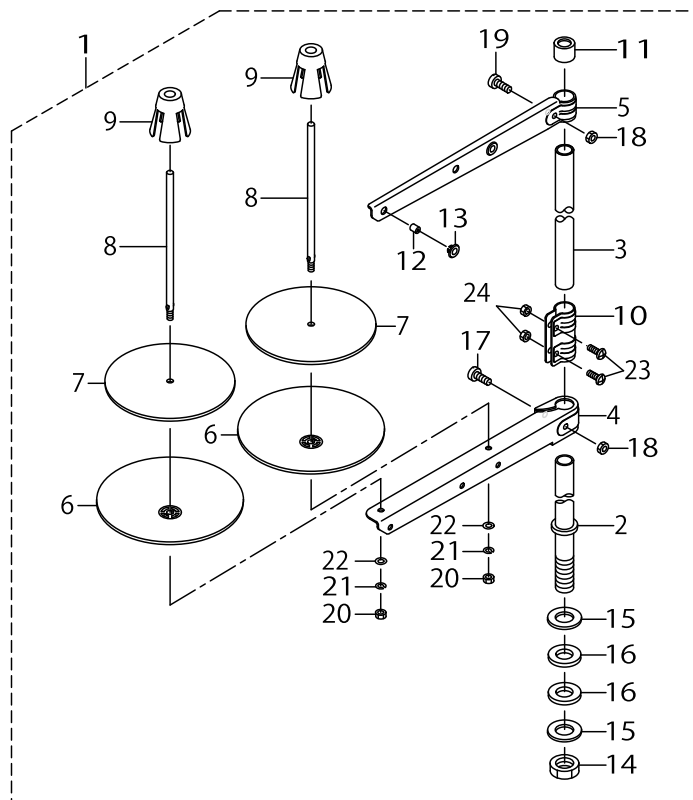
WIPER MECHANISM COMPONENTS



WIPER MECHANISM COMPONENTS

No.	Supply Code	Parts No.	Replacement	Parts name	Remarks	Choice	Step	Level	Cons	Qty	Rep. QTY
1		22561757		WIPER ASM.						1	
2		22561856		WIPER BASE ASM.				*		1	
3	R	22561807	22561856	WIPER BASE				*		1	1.00
4	R	10208601	10208551	WIPER LINK 1				*		1	1.00
5		D2107490D00		PIN				*		2	
6		22561955		WIPER LINK COMPL.				*		1	
7	R	22561906	22561955	WIPER LINK				*		1	1.00
8	R	10208858	10208866	WIPER LINK ASM. 2				*		1	1.00
9		D2107490D00		PIN				*		1	
10		10208700		WIPER LINK SHAFT				*		1	
11		22561708		WIPER				*		1	
12		RE0320000K0		E-RING 3.2				*		2	
13		WP0371016SD		WASHER 3.7X8X1				*		2	
14		SS3090520SP		SCREW 9/64-40 L=4.5				*		2	
15		22562052		SOLENOID ASM.						1	
16		22562102		WIPER BASE				*		1	
17		22562201		WIPER LINK				*		1	
18		40106936		WIPER SOLENOID ASM.				*		1	
19		22955900		WIPER RUBBER A				*		1	
20		22956007		WIPER RUBBER B				*		1	
21		22956205		WIPER HINGE SCREW COLLAR				*		1	
22		22956304		WIPER SPRING				*		1	
23		22955504		WIPER COVER				*		1	
24		22957104		WIPER SOLENOID SHAFT				*		1	
25		22957203		WIPER LINK COLLAR				*		1	
26		WS0310002KR		SPRING WASHER 3.1X5.9X0.7				*		4	
27		HA00600000A		SWITCH				*		1	
28		SL4030631SC		SCREW M3X6				*		1	
29		SD0500481TP		HINGE SCREW D= 5 H= 4.8				*		1	
30		NS6110310SP		NUT 11/64-40				*		1	
31		SD0650321TP		HINGE SCREW D=6.5 H=3.2				*		1	
32		SM4030601SN		SCREW M3 X 6				*		4	
33		SD0600271SP		HINGE SCREW D= 6 H= 2.7						1	
34		NS6110310SP		NUT 11/64-40						1	
35		SS4120615SP		SCREW 3/16-28 L=6						2	

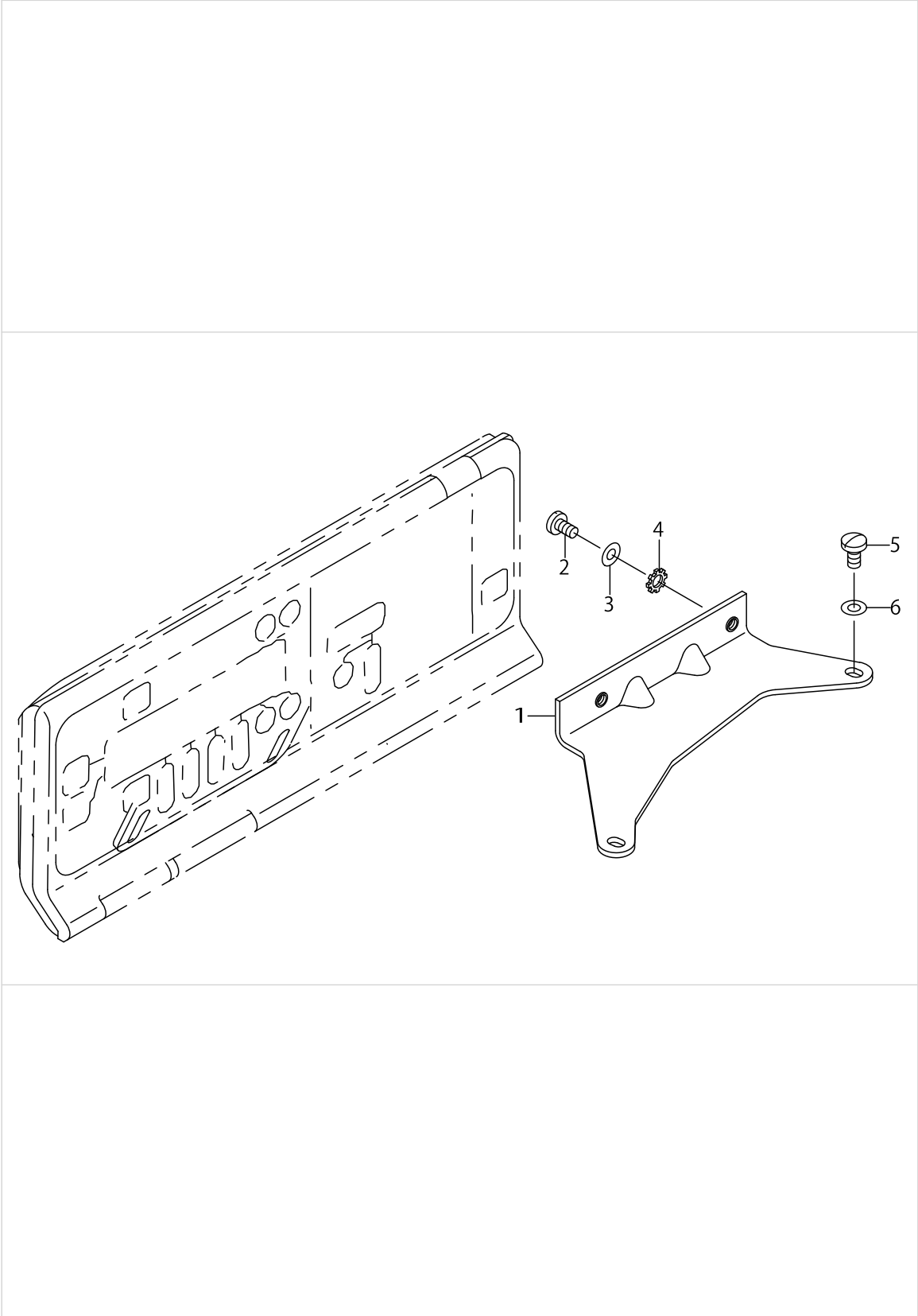
THREAD STAND COMPONENTS



THREAD STAND COMPONENTS

No.	Supply Code	Parts No.	Replacement	Parts name	Remarks	Choice	Step	Level	Cons	Qty	Rep. QTY
1		40096354		THREAD STAND ASM.						1	
2		40085784		SPOOL REST ROD LOWER				*		1	
3		40085785		SPOOL REST ROD UPPER				*		1	
4		40085786		SPOOL REST ARM LOWER				*		1	
5		40085787		SPOOL REST ARM UPPER				*		1	
6		40085788		SPOOL REST				*		2	
7		40085789		SPOOL REST CUSHION				*		2	
8		40085790		SPOOL PIN				*		2	
9		40085791		SPOOL RETAINER				*		2	
10		40085792		SPOOL REST ROD JOINT				*		1	
11		40085793		SPOOL REST ROD RUBBER CAP				*		1	
12		40085794		THREAD GUIDE				*		2	
13		40085795		THREAD GUIDE BUSHING				*		2	
14		40096325		SPOOL REST ROD NUT				*		1	
15		WP1612616SE		WASHER 16X30X2.6				*		2	
16		40085796		SPOOL REST ROD RUBBER CUSHION				*		2	
17		40096326		SPOOL REST ARM LOWER SCREW				*		1	
18		NM6050001SE		NUT M5				*		2	
19	R	40096327	SM4053001SE	SPOOL REST ARM UPPER SCREW				*		1	1.00
20		NM6050001SE		NUT M5				*		2	
21		WS0510002KN		SPRING WASHER M5				*		2	
22		WP0531001SC		WASHER M5				*		2	
23		SM4051405SE		SCREW M5 L=14				*		2	
24		NM6050001SE		NUT M5				*		2	

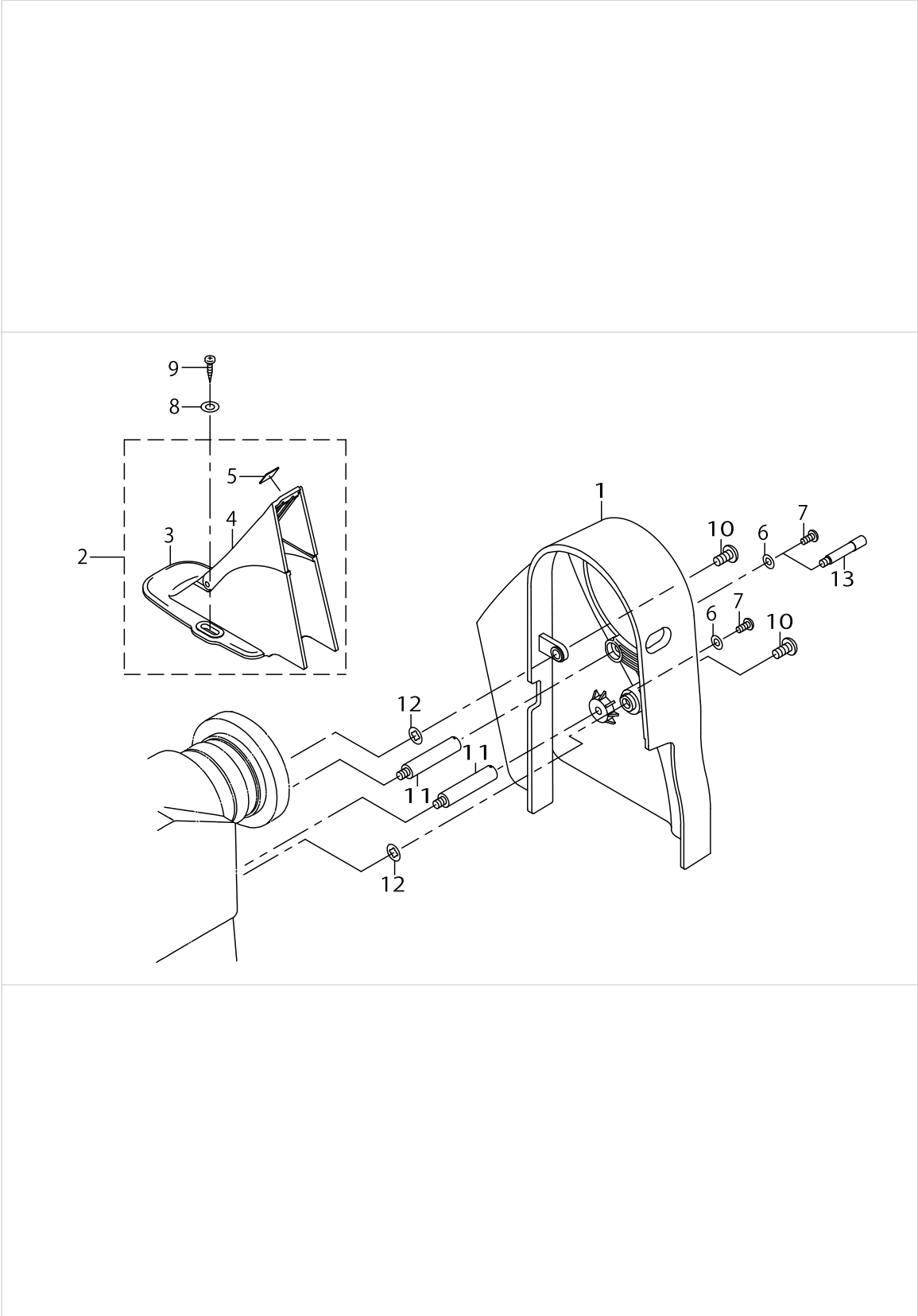
CP PANEL COMPONENTS



CP PANEL COMPONENTS

No.	Supply Code	Parts No.	Replacement	Parts name	Remarks	Choice	Step	Level	Cons	Qty	Rep. QTY
1		22550602		BRACKET	FOR LZ-228*N-7					1	
2		SS7110840SP		SCREW 11/64-40 L=7.8	FOR LZ-228*N-7					2	
3		WP0450801SD		WASHER 4.5X10X0.8	PARTS PACKED TOGETHER WITH THE CP PANEL					2	
4		WT0530002KS		TOOTHED WASHER D=5.3	PARTS PACKED TOGETHER WITH THE CP PANEL					2	
5		SS7120910TP		SCREW 3/16-28 L=9	FOR LZ-228*N-7					2	
6		WP0531001SC		WASHER	FOR LZ-228*N-7					2	

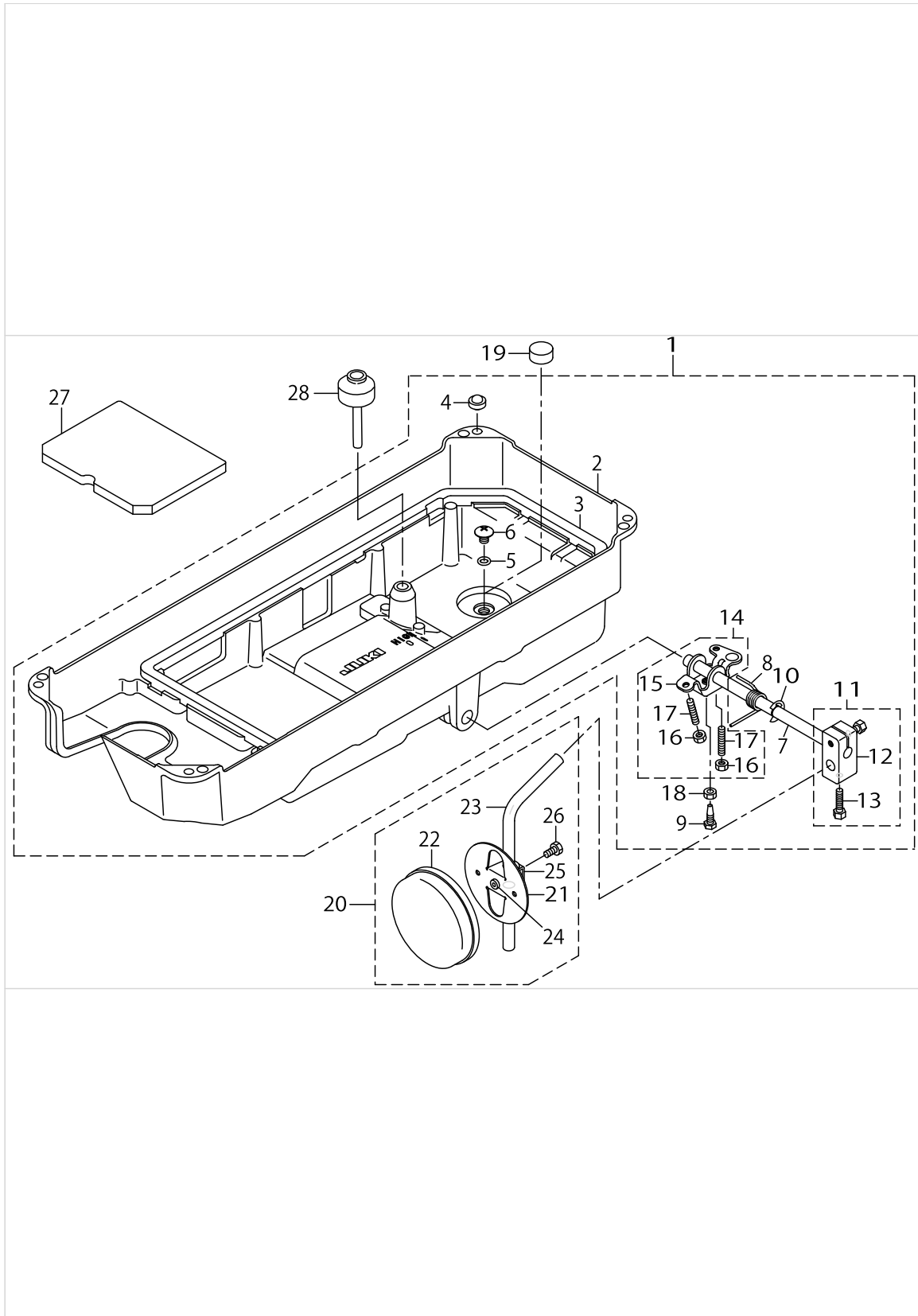
BELT COVER COMPONENTS



BELT COVER COMPONENTS

No.	Supply Code	Parts No.	Replacement	Parts name	Remarks	Choice	Step	Level	Cons	Qty	Rep. QTY
1	R	26319400	40038990	BELT COVER A						1	1.00
2	R	26319558	40038990	BELT COVER B (COMPL.)						1	1.00
3	R	26319509	40038990	BELT COVER B				*		1	1.00
4	R	26319608	40038990	BELT COVER C				*		1	1.00
5	R	26319806	40038990	VIBROISOLATING RUBBER				*		1	1.00
6		WP0450801SD		WASHER 4.5X10X0.8						2	
7		SS4110915SP		SCREW 11/64-40 L=9						2	
8		WP0450826SC		WASHER 4.5X10X0.8						2	
9		SK3412001SE		WOOD SCREW D=4.1 L=20						2	
10		SS4151215SP		SCREW 15/64-28 L=12						2	
11		40101337		BELT COVER SUPPORT STUD						2	
12		22535603		WASHER						2	
13		22535454		SYNCHRONIZER SUPPORT ASM.	SPECIAL ORDER PARTS					1	

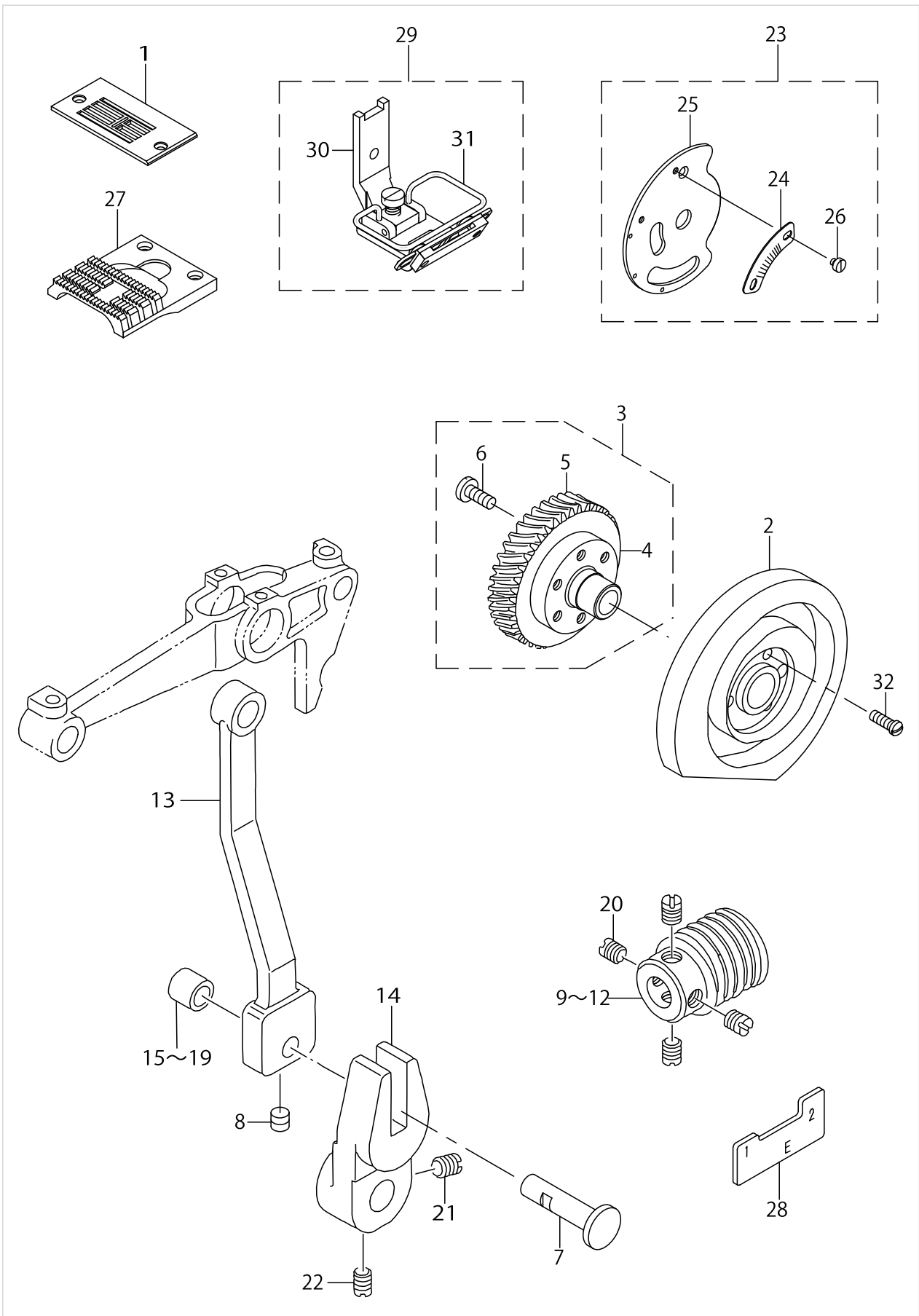
OIL RESERVOIR & KNEE LIFTER COMPONENTS



OIL RESERVOIR & KNEE LIFTER COMPONENTS

No.	Supply Code	Parts No.	Replacement	Parts name	Remarks	Choice	Step	Level	Cons	Qty	Rep. QTY
1		23502651		OIL RESERVOIR ASM.						1	
2		22534010		OIL RESERVOIR				*		1	
3		10038107		OIL RESERVOIR GASKET				*		1	
4	R	22932008	11047107	RUBBER CUSHION				*		4	1.00
5		13170105		RUBBER RING				*		1	
6	R	13171004	SM0081001SD	DRAIN SCREW				*		1	1.00
7		22932305		KNEE PRESS CROSS SHAFT				*		1	
8		22932206		SPRING				*		1	
9		SM9061853SR		SCREW M6 L=17.5				*		1	
10		RE1000000K0		E-RING 10				*		1	
11		22932453		BRACKET ASM.				*		1	
12	R	22932404	22932453	BRACKET				*		1	1.00
13		22934707		SCREW				*		2	
14		22932156		KNEE LIFTER ROTATION ARM ASM.				*		1	
15	R	22932107	22932156	KNEE LIFTING ROTATING ARM				*		1	1.00
16		NM6060001SE		NUT M6				*		2	
17		SM8063012TR		SCREW M6 L=30				*		2	
18		NM6060001SE		NUT M6				*		1	
19		B8228125000		OIL RESERVOIR MAGNET						1	
20		22934251		KNEE PAD PLATE ASM.						1	
21		22934202		KNEE PAD PLATE				*		1	
22		22934509		KNEE PAD PLATE COVER				*		1	
23		22934608		KNEE PAD UPRIGHT SHAFT				*		1	
24		22934400		KNEE PAD PLATE RUBBER				*		1	
25		22934301		KNEE PAD PLATE SUPPORT				*		1	
26		SM9061203SE		SCREW M6 L=12				*		1	
27		22534101		OIL RESERVOIR BASE						1	
28		B3421555000		KNEE PRESS LIFTER ROD						1	

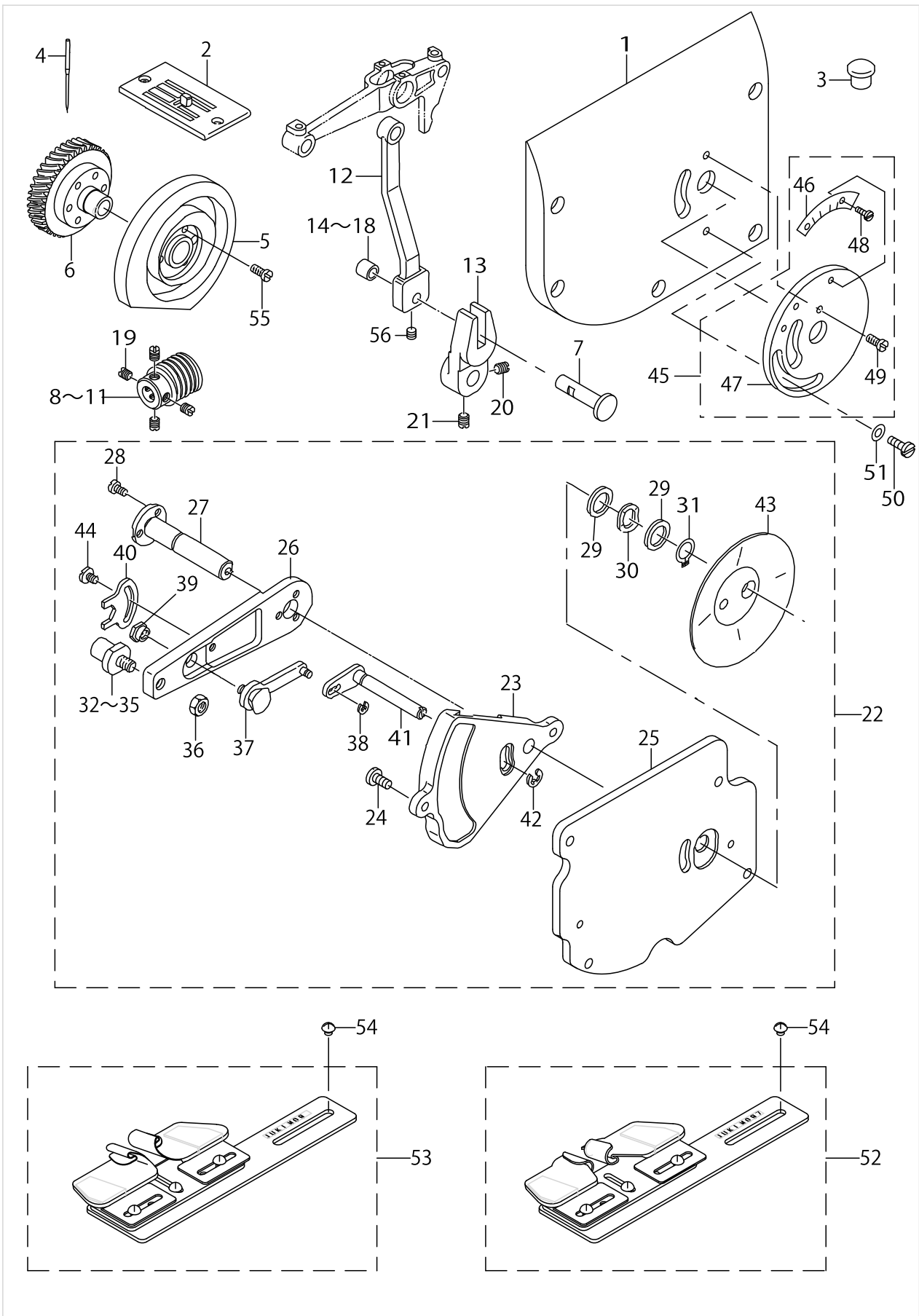
EXCLUSIVE PARTS FOR LZ-2286NT



EXCLUSIVE PARTS FOR LZ-2286NT

No.	Supply Code	Parts No.	Replacement	Parts name	Remarks	Choice	Step	Level	Cons	Qty	Rep. QTY
1		22582407		NEEDLE PLATE						1	
2		22585400		NEEDLE VIBRATING CAM A						1	
3		22585855		WORM WHEEL COMPL.						1	
4		22585806		WORM WHEEL HUB				*		1	
5	R	10043412	10043461	WORM WHEEL				*		1	1.00
6	R	SS7111120SP	SS7111120TP	SCREW 11/64-40 L=10.5				*		3	1.00
7		22585707		SHAFT						1	
8		SS8110422TP		SCREW 11/64-40 L=4						1	
9		22527006		WORM A	SELECTIVE PARTS					1	
10		22527105		WORM B	SELECTIVE PARTS					1	
11		22527204		WORM C	SELECTIVE PARTS					1	
12		22527303		WORM D	SELECTIVE PARTS					1	
13		10044014		NEEDLE VIBRATING ROD						1	
14		10044105		ROD GUIDE						1	
15		B2502280B0A		FEED CAM ROLLER	SELECTIVE PARTS					1	
16		B2502280B0B		FEED CAM ROLLER	SELECTIVE PARTS					1	
17		B2502280B0C		FEED CAM ROLLER	SELECTIVE PARTS					1	
18		B2502280B0D		FEED CAM ROLLER	SELECTIVE PARTS					1	
19		B2502280B0E		FEED CAM ROLLER	SELECTIVE PARTS					1	
20		SS8660610TP		SCREW 1/4-40 L=6						4	
21		SS8660810TP		SCREW 1/4-40 L=8						1	
22		SS8660970TP		SCREW 1/4-40 L= 8.5						1	
23		22586275		SWING WIDE GRADUATION ASM.						1	
24		22586226		SWING WIDE GRADUATION				*		1	
25		26306951		SCALE MOUNTING BASE COMPL.				*		1	
26		SS6080320SP		SCREW 1/8-44 L= 2.5				*		2	
27		22581508		FEED DOG						1	
28		22536502		TIMING GAUGE E						1	
29		MAB109000B0		TAPING FOOT						1	
30		MAB109000A0		TAPING PRESSER ASM.				*		1	
31		22545404		SAFETY COVER				*		1	
32	R	SS7111410SP	SS7111410TP	SCREW11/64-40L=14						3	1.00

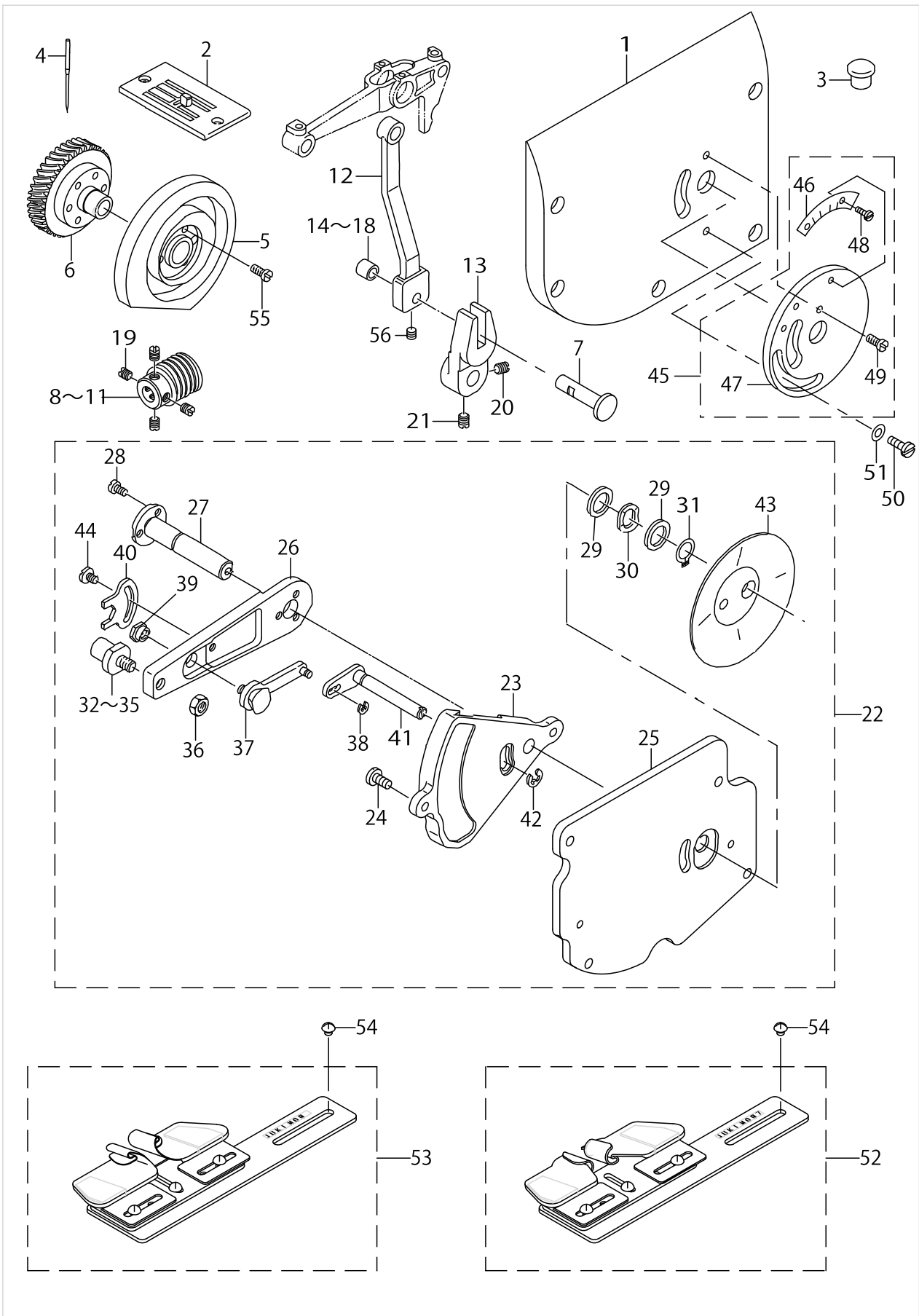
EXCLUSIVE PARTS FOR LZ-2285N (1)



EXCLUSIVE PARTS FOR LZ-2285N (1)

No.	Supply Code	Parts No.	Replacement	Parts name	Remarks	Choice	Step	Level	Cons	Qty	Rep. QTY
1		22592505		ARM SIDE COVER						1	
2		10061554		THROAT PLATE ASM.						1	
3		TA1871602R0		RUBBER PLUG						1	
4		MC1923F0800		NEEDLE 438SUK 80						1	
5		22585509		NEEDLE VIBRATING CAM						1	
6		22585855		WORM WHEEL COMPL.						1	
7		22585707		SHAFT						1	
8		22527006		WORM	SELECTIVE PARTS					1	
9		22527105		WORM	SELECTIVE PARTS					1	
10		22527204		WORM	SELECTIVE PARTS					1	
11		22527303		WORM	SELECTIVE PARTS					1	
12		10044014		NEEDLE VIBRATING ROD						1	
13		10044105		ROD GUIDE						1	
14		B2502280B0A		FEED CAM ROLLER	SELECTIVE PARTS					1	
15		B2502280B0B		FEED CAM ROLLER	SELECTIVE PARTS					1	
16		B2502280B0C		FEED CAM ROLLER	SELECTIVE PARTS					1	
17		B2502280B0D		FEED CAM ROLLER	SELECTIVE PARTS					1	
18		B2502280B0E		FEED CAM ROLLER	SELECTIVE PARTS					1	
19		SS8660610TP		SCREW 1/4-40 L=6						4	
20		SS8660810TP		SCREW 1/4-40 L=8						1	
21		SS8660970TP		SCREW 1/4-40 L= 8.5						1	
22		22592653		BASE ASM.						1	
23		10054112		ARM SETTING BASE				*		1	
24		SS7110910TP		SCREW 11/64-40 L= 8.5				*		2	
25		22592604		MOUNTING PLATE				*		1	
26		26301507		ARM				*		1	
27		26307306		SHAFT				*		1	
28	R	SS6090620SP	SS6090620TP	SCREW 9/64-40 L=6				*		3	1.00
29		WP1020616SD		WASHER				*		2	
30		WZ1052010KP		WAVED WASHER				*		1	
31		RC0100001KP		SNAP RING M10				*		1	
32		10016210		SHAFT	SELECTIVE PARTS			*		1	
33		10016319		SHAFT	SELECTIVE PARTS			*		1	
34		10016418		SHAFT	SELECTIVE PARTS			*		1	
35		10016517		SHAFT	SELECTIVE PARTS			*		1	
36		NS6150310SP		NUT 15/64-28				*		1	
37		10017168		STOPPER ASM.				*		1	
38		RE0200000K0		E-RING				*		1	
39		10018000		NUT				*		1	
40		10018109		NUT STOPPER				*		1	
41		10015360		LEVER ASM.				*		1	
42		RE0400000K0		E-RING 4				*		1	
43		10017606		OIL SHIELD				*		1	
44		SS6090520SP		SCREW 9/64-40 L= 5.0				*		1	
45		22590061		SCALE ASM.				*		1	
46		22586200		SCALE				*		1	

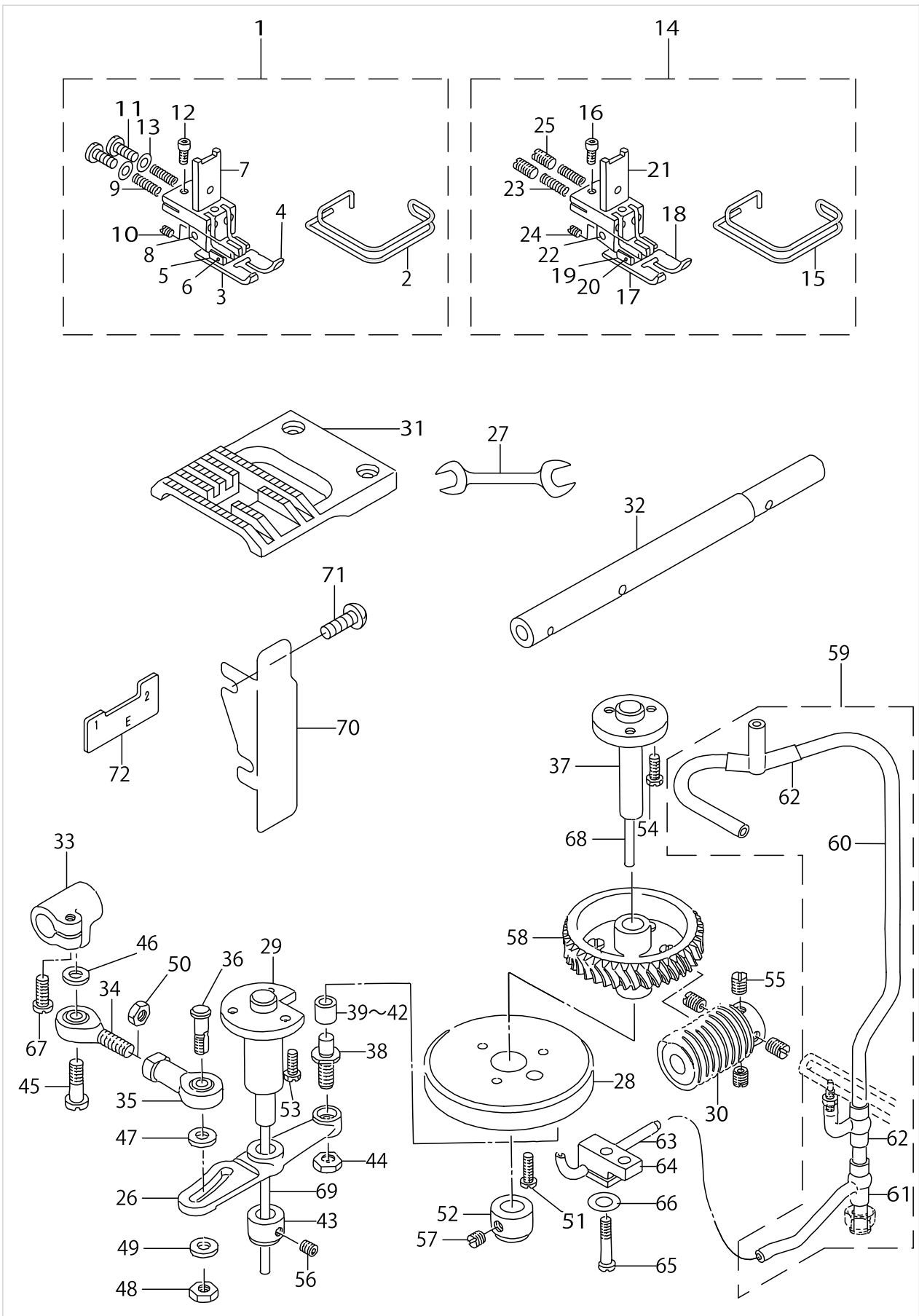
EXCLUSIVE PARTS FOR LZ-2285N (1)



EXCLUSIVE PARTS FOR LZ-2285N (1)

No.	Supply Code	Parts No.	Replacement	Parts name	Remarks	Choice	Step	Level	Cons	Qty	Rep. QTY
47		22592802		SCALE MOUNTING BASE				*		1	
48		SS6080320SP		SCREW 1/8-44 L= 2.5				*		2	
49	R	SS6111010SP	SS6111010TP	SCREW 11/64-40 L= 9.5				*		1	1.00
50		SS6110510SP		SCREW 11/64-40 L=5						1	
51		WP0480856SP		WASHER 4.8X8.4X0.8						1	
52		MAM097000A0		FAGOTING FELLER	SPECIAL ORDER PARTS					1	
53		MAM09700BA0		FAGOTING FOLDER ASM.						1	
54		SS5110710SP		SCREW 11/64-40 L=7						2	
55	R	SS7111410SP	SS7111410TP	SCREW 11/64-40 L=14						3	1.00
56		SS8110422TP		SCREW 11/64-40 L=4						1	

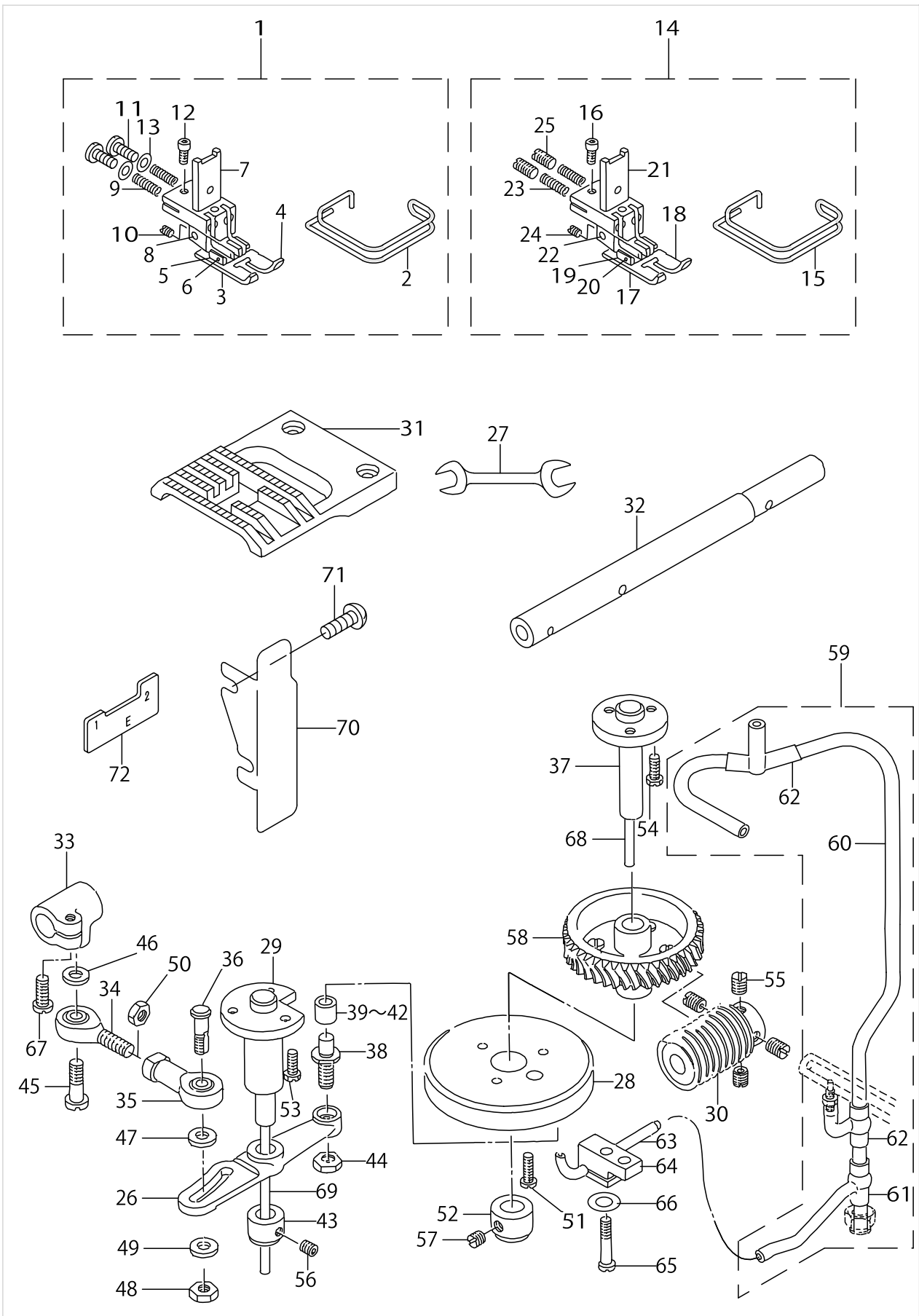
EXCLUSIVE PARTS FOR LZ-2285N (2)



EXCLUSIVE PARTS FOR LZ-2285N (2)

No.	Supply Code	Parts No.	Replacement	Parts name	Remarks	Choice	Step	Level	Cons	Qty	Rep. QTY
1		22591564		PRESSER FOOT ASM.	NO NECESSARY PART ACCORDING TO DESTINATIONS					1	
2		22591101		FINGER GUARD				*		1	
3	R	10062701	10062750	PRESSER FOOT LEFT				*		1	1.00
4	R	10062800	10062750	PRESSER FOOT RIGHT				*		1	1.00
5		22591408		PRESSER FOOT ASM.				*		2	
6	R	10063303	10062750	PIN				*		2	1.00
7		10063402		PRESSER FOOT UPPER				*		1	
8	D	10063501		PIN				*		1	
9		10063600		SPRING				*		2	
10		SS8080410TP		SCREW 1/8-44 L=3.5				*		1	
11		SS7111110TP		SCREW 11/64-40 L=10.5				*		2	
12		SS6580752TP		SCREW 1/8-40 L=7				*		1	
13		WP0220300SC		WASHER				*		2	
14		22591663		PRESSER FOOT ASM.	SPECIAL ORDER PARTS					1	
15		22591101		FINGER GUARD				*		1	
16		SS6580752TP		SCREW 1/8-40 L=7				*		1	
17	R	10062701	10062750	PRESSER FOOT LEFT				*		1	1.00
18	R	10062800	10062750	PRESSER FOOT RIGHT				*		1	1.00
19	R	10063204	10062750	PRESSER FOOT ARM				*		2	1.00
20	R	10063303	10062750	PIN				*		2	1.00
21		10063402		PRESSER FOOT UPPER				*		1	
22	D	10063501		PIN				*		1	
23		10063600		SPRING				*		2	
24		SS8080410TP		SCREW 1/8-44 L=3.5				*		1	
25		SS8111010TP		SCREW 11/64-40 L=9.5				*		2	
26		22590301		LEVER						1	
27		B9113012000		WRENCH (9X10)						1	
28		22590400		FEED CAM						1	
29		22590509		SHAFT						1	
30		10063808		WORM						1	
31		10064004		FEED DOG						1	
32		10064103		FEED ROCKERSHAFT						1	
33		10064202		FEED ROCKER SHAFT CRANK						1	
34		10064301		BALL JOINT A						1	
35		10064400		BALL JOINT B						1	
36		10064608		FEED REGULATOR						1	
37	D	10064905		FEED CAM SHAFT						1	
38		10065001		FEED CAM ROLLER SHAFT						1	
39	R	B250228000A	26224709	FEED CAM ROLLER	SELECTIVE PARTS					1	1.00
40	R	B250228000B	26239806	FEED CAM ROLLER	SELECTIVE PARTS					1	1.00
41	R	B250228000C	26239905	FEED CAM ROLLER	SELECTIVE PARTS					1	1.00
42	R	B250228000D	26240002	CLOTH FEED CAM ROLLER	SELECTIVE PARTS					1	1.00
43		CS1031210SH		THRUST COLLAR A-SM. D=10.32 W=12						1	

EXCLUSIVE PARTS FOR LZ-2285N (2)

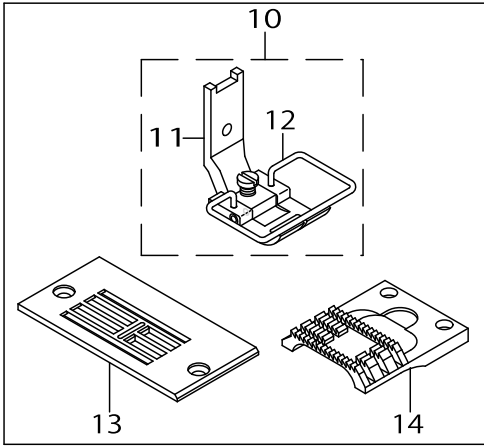


EXCLUSIVE PARTS FOR LZ-2285N (2)

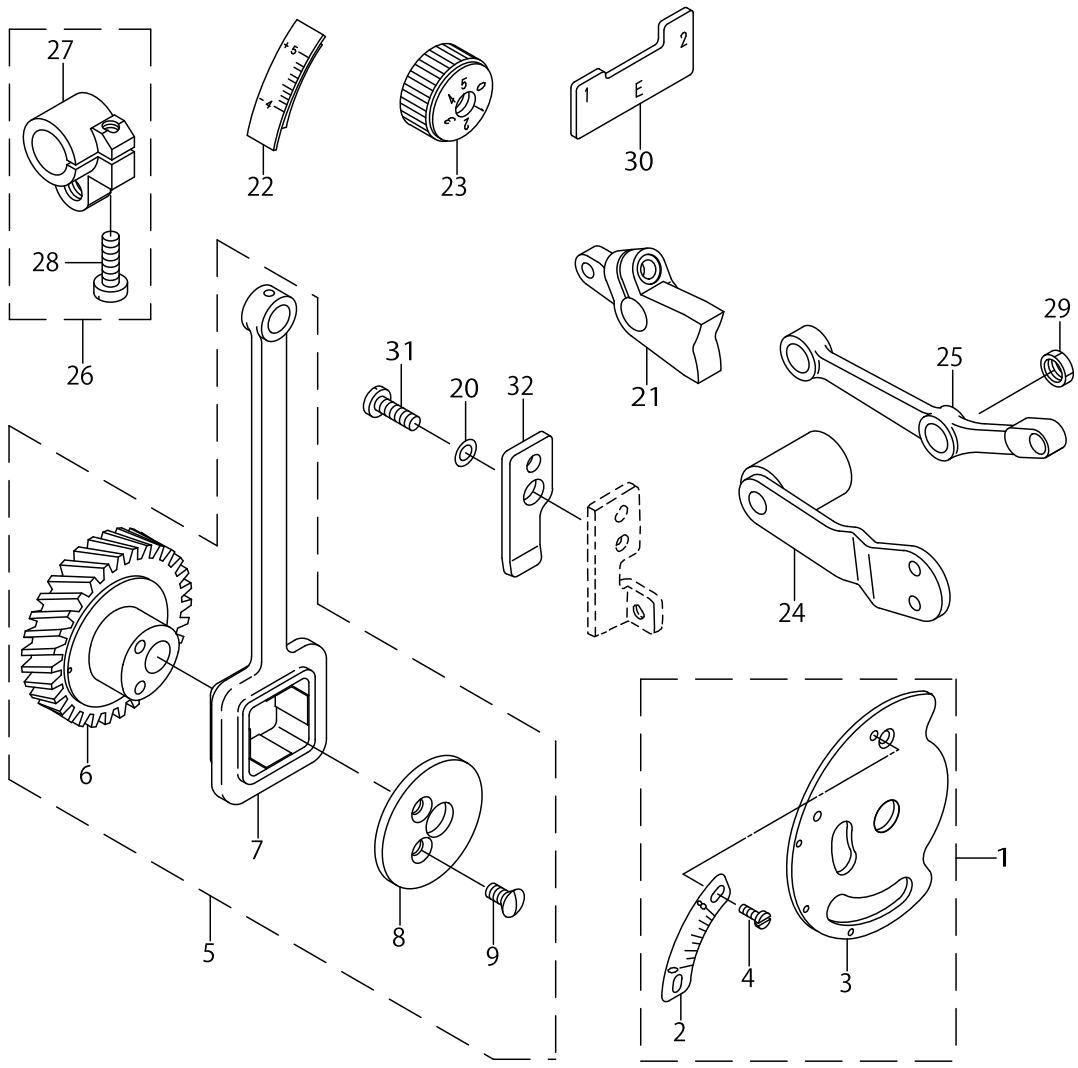
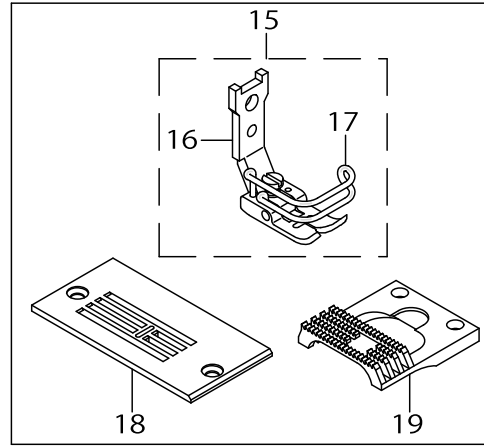
No.	Supply Code	Parts No.	Replacement	Parts name	Remarks	Choice	Step	Level	Cons	Qty	Rep. QTY
44		NS6150430SP		NUT 15/64-28						1	
45		SD0601051SP		HIGE SCREW D=6 H=10.5						1	
46		WP0612066SP		WASHER 6.1X11X2						1	
47		WP0612066SP		WASHER 6.1X11X2						1	
48		NS6150430SP		NUT 15/64-28						1	
49		WP0621016SH		WASHER						1	
50		NM6060001SE		NUT M6						1	
51	R	SS7111410SP	SS7111410TP	SCREW 11/64-40L=14						3	1.00
52		CS1031210SH		THRUST COLLAR A-SM. D=10.32 W=12						1	
53		SS9661120CP		SCREW 1/4-40L=10.5						3	
54		SS9661120CP		SCREW 1/4-40L=10.5						3	
55		SS8660610TP		SCREW 1/4-40 L=6						4	
56		SS8660610TP		SCREW 1/4-40 L=6						2	
57		SS8660610TP		SCREW 1/4-40 L=6						2	
58		10043461		WORM WHEEL ASM.						1	
59		22590855		OIL SUPPLY PIPE ASM.						1	
60		22590806		OIL SUPPLY PIPE				*		1	
61		10035509		RUBBER JOINT				*		1	
62		B3527552000		RUBBER JOINT				*		2	
63		10065209		CAM OIL PIPE						1	
64		B3554481000		HOLDER						1	
65		SS4110915SP		SCREW 11/64-40 L=9						1	
66		WP0501016SD		WASHER 5X10.5X1						1	
67		SS6121210SP		SCREW 3/16-28 L=12						1	
68	D	CQ500600000		OIL WICK						.1	
69		CQ303000000		OIL WICK						.1	
70		22593107		BELT COVER						1	
71		SS4120615SP		SCREW 3/16-28 L=6						2	
72		22536502		TIMING GAUGE E						1	

EXCLUSIVE PARTS FOR LZ-2281N

FOR LZ-2281NB
LZ-2281NB用



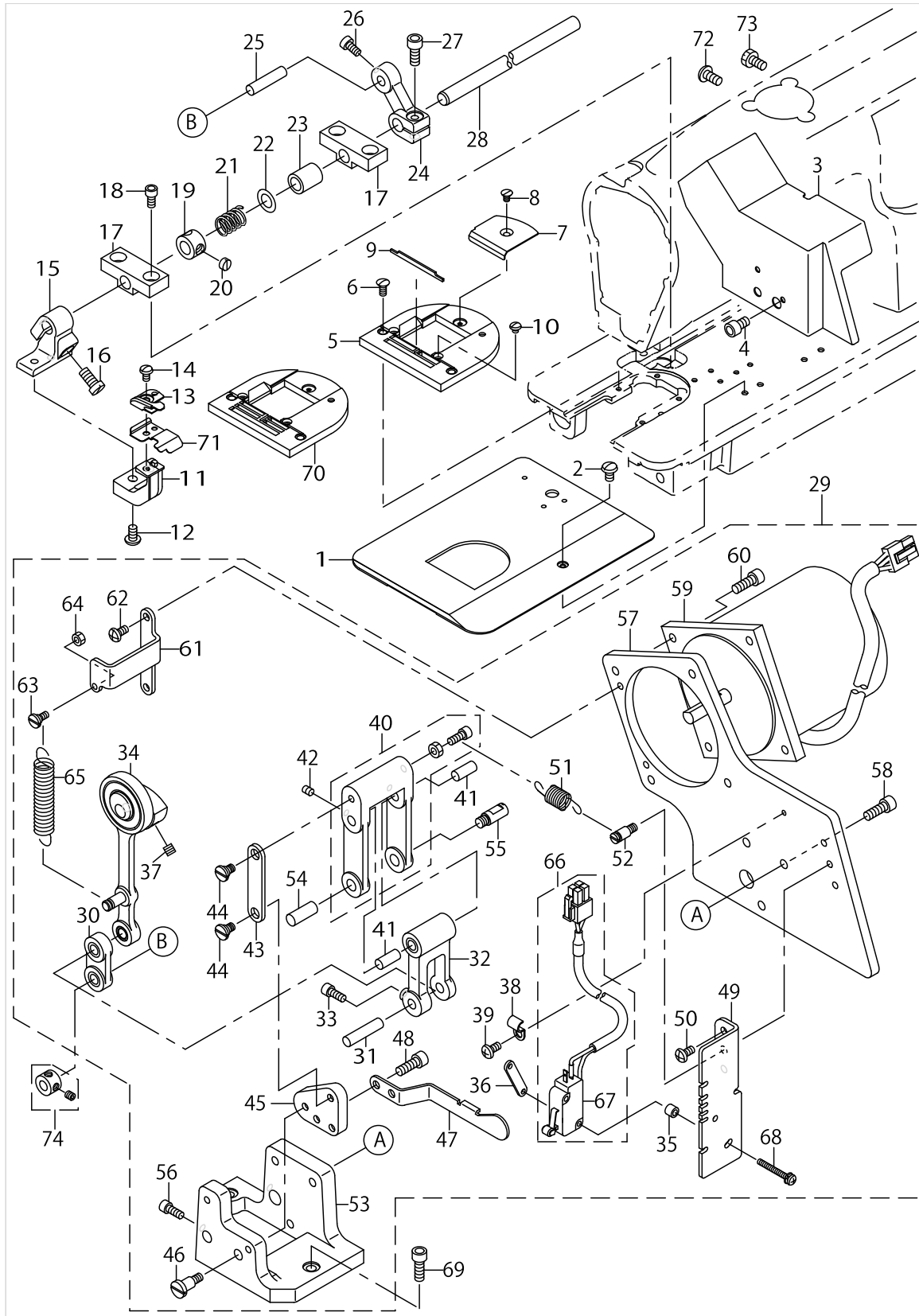
FOR LZ-2281NA
LZ-2281NA用



EXCLUSIVE PARTS FOR LZ-2281N

No.	Supply Code	Parts No.	Replacement	Parts name	Remarks	Choice	Step	Level	Cons	Qty	Rep. QTY
1		22540769		SCALE PLATE ASM.						1	
2		22540710		SCALE PLATE				*		1	
3		26306951		SCALE MOUNTING BASE COMPL.				*		1	
4		SS6080320SP		SCREW 1/8-44 L=2.5				*		2	
5		22542559		NEEDLE DRIVING CAM.						1	
6		22542500		NEEDLE VIBRATING CAM				*		1	
7		22510101		NEEDLE VIBRATING ROD				*		1	
8		22510200		CAM COVER				*		1	
9		SS2110920TP		SCREW 11/64-40 L=8.5				*		2	
10		22580369		PRESSER FOOT ASM.	FOR LZ-2281NB					1	
11	R	10045060	10045052	PRESSER FOOT ASM. A				*		1	1.00
12		22580302		SAFETY COVER				*		1	
13		22582407		NEEDLE PLATE	FOR LZ-2281NB					1	
14		22540009		FEED DOG	FOR LZ-2281NB					1	
15		22548671		PRESSER ASM.	FOR LZ-2281NA					1	
16	R	22546816	22547970	PRESSER UPPER		A	A:Japan	*		1	1.00
16	R	22546816	22548671	PRESSER UPPER		B	B:JHK, JS	*		1	1.00
16	R	22546816	22547962	PRESSER UPPER		C	C:JA, Japan	*		1	1.00
16	R	22546816	22548663	PRESSER UPPER		D	D:JA, JHK, JS	*		1	1.00
17		10021202		FINGER COVER				*		1	
18		22548010		NEEDLE PLATE	FOR LZ-2281NA					1	
19		22548119		FEED DOG	FOR LZ-2281NA					1	
20		WP0480856SP		WASHER 4.8X8.4X0.8						1	
21		22541106		FEED DRIVING ADJUSTER						1	
22		22540207		SCALE PLATE						1	
23		11071909		FEED DIAL						1	
24		22540454		BALANCE WEIGHT COMPL.						1	
25		40010276		HORIZONTAL FEED JUNCTION ROD						1	
26		B16085550A0		FEED ROCKER SHAFT CRANK ASM.						1	
27		B1608555000		FEED ROCKER SHAFT CRANK ARM				*		1	
28		SS6121610TP		SCREW 3/16-28 L=15.5				*		1	
29		NS6680320SP		NUT 9/32-28						1	
30		22536502		TIMING GAUGE E						1	
31		SS7111410TP		SCREW 11/64-40 L=14						1	
32		22540108		PRESSING PLATE						1	

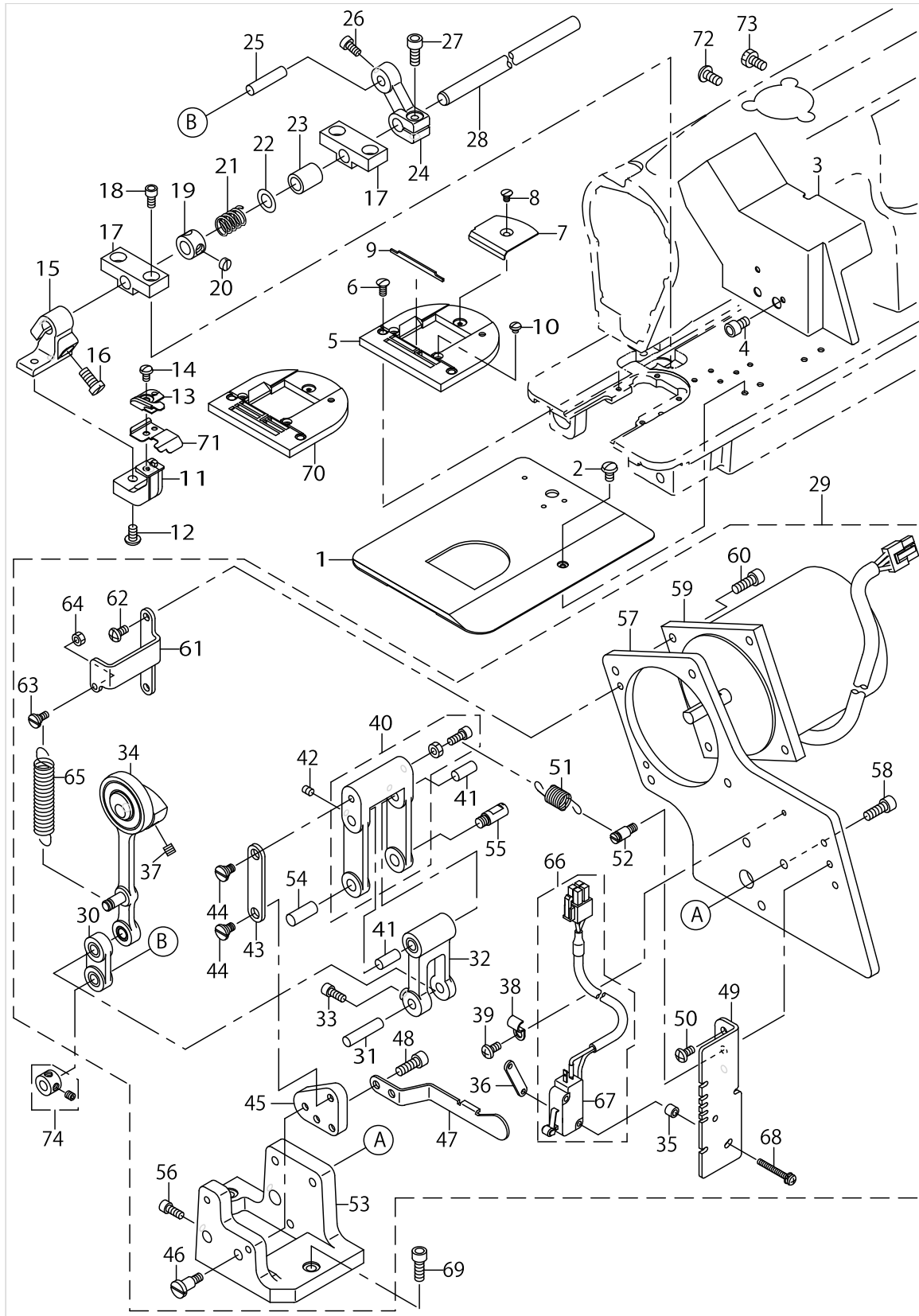
EXCLUSIVE PARTS FOR LZ-2282N(-7) (1)



EXCLUSIVE PARTS FOR LZ-2282N(-7) (1)

No.	Supply Code	Parts No.	Replacement	Parts name	Remarks	Choice	Step	Level	Cons	Qty	Rep. QTY
1		23509003		BED PLATE						1	
2		SS5110740TP		SCREW 11/64-40 L= 6.5						1	
3		23508906		KNIFE DRIVING DEVICE COVER						1	
4		SM6050802TN		BOLT						2	
5		23505829		THROAT PLATE						1	
6		SS2090840SP		SCREW						2	
7		23513401		THROAT PLATE COVER						1	
8		SS1080510SP		SCREW 1/8-44 L=5						1	
9		23506108		THROAT PLATE KNIFE						1	
10		SS4080320TP		SCREW 1/8-44 L=3.4						2	
11		23506314		KNIFE BASE						1	
12		SS4110815SP		SCREW 11/64-40 L=8						2	
13		23506009		CLOTH CUTTING KNIFE						1	
14		SS5090610SP		SCREW 9/64-40 L=6						1	
15		23506405		KNIFE BASE ARM						1	
16		SS6122030SP		SCREW 3/16-28 L=20						1	
17		23506603		KNIFE DRIVING SHAFT BASE						2	
18		SM6040802TP		SCREW M4X0.7 L=8						4	
19		CS0800911TH		THRUST COLLAR						1	
20		SS8660340SP		SCREW 1/4-40 L= 2.5						1	
21		23506702		KNIFE PRESS SPRING						1	
22		WP0820526SD		WASHER 8.2X14X0.5						1	
23		16965105		METAL						1	
24		23506801		KNIFE DRIVING ARM						1	
25		10565406		GEAR SHAFT						1	
26		SM6040802TP		SCREW M4X0.7 L=8						1	
27		SM6051202TP		SCREW M5X0.8 L=12						1	
28		23506504		KNIFE DRIVING SHAFT						1	
29		23508252		KNIFE DRIVING DEVICE ASM.						1	
30		23507056		CONNECTING LINK A ASM.				*		1	
31		10565406		GEAR SHAFT				*		1	
32	D	23507155		CONNECTING LINK B ASM.				*		1	
33		SM6041002TP		SCREW M4 L=10				*		1	
34		23507262		KNIFE DRIVING ROT ASM.				*		1	
35		B4011210000		SPACER				*		2	
36	R	11102308	22954408	MICRO SWITCH PLATE				*		1	1.00
37		SM8050812TP		SCREW M5X8				*		2	
38		B3538112000		OIL RETURN TUBE HOLDER				*		1	
39	R	SM4030411SB	SM4030401SC	SCREW M3X0.5 L=4				*		1	1.00
40		23507551		KNIFE ADJUSTING LINK ASM.				*		1	
41		11387503		LEVER ARM PIN				*		2	
42		SM8040502TP		SCREW M4X0.7 L=5				*		2	
43		23507700		ADJUSTING CONNECTING PLATE				*		1	
44		SD0640231SP		HINGE SCREW D= 6.35 H= 2.3				*		2	
45		23507809		LEVER BASE				*		1	
46		SD0640851SP		STEP-SCREW				*		1	

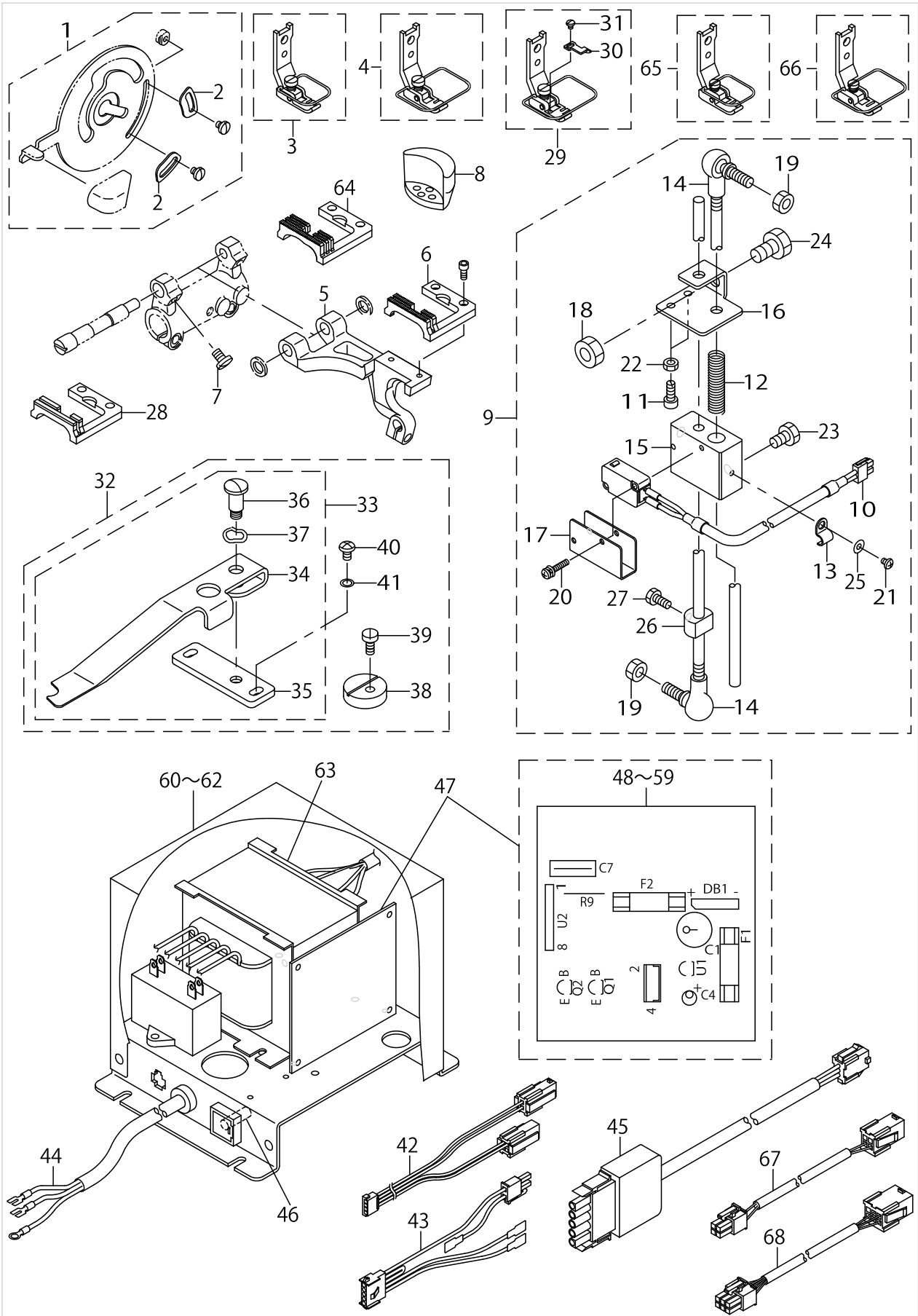
EXCLUSIVE PARTS FOR LZ-2282N(-7) (1)



EXCLUSIVE PARTS FOR LZ-2282N(-7) (1)

No.	Supply Code	Parts No.	Replacement	Parts name	Remarks	Choice	Step	Level	Cons	Qty	Rep. QTY
47		23507908		KNIFE ADJUSTING LEVER				*		1	
48		SS4110815SP		SCREW 11/64-40 L=8				*		2	
49		23508005		LEVER SCALE PLATE				*		1	
50		SM4040855SP		SCREW				*		2	
51		23508104		ADJUSTING LINK SPRING				*		1	
52		40023289		SPRINGSUSPENSION				*		1	
53		23508203		KNIFE ADJUSTING BASE				*		1	
54		11384302		PIN B				*		1	
55	R	11008802	22910806	ADJUSTING LINK F-ULCRUM SHAFT A				*		1	1.00
56		SM6041002TP		SCREW M4 L=10				*		2	
57		23508302		MOTOR SUPPORT PLATE				*		1	
58		SM6051402TP		SCREW M5X0.8 L=14				*		3	
59		23508450		AC MOTOR ASM.				*		1	
60		SM6051402TP		SCREW M5X0.8 L=14				*		4	
61		23508500		STOP SPRING RACK				*		1	
62		SM4040855SP		SCREW				*		2	
63		SD0500251SP		HINGE SCREW D= 5 H= 2.5				*		1	
64		NS6090310SP		NUT 9/64-40				*		1	
65		23508609		STOP SPRING				*		1	
66		23508757		MOTOR SWITCH ASM.				*		1	
67		HA00044000A		SWITCH				*		1	
68		SL4032591SC		SCREW M3X25				*		2	
69		SM6051402TP		SCREW M5X0.8 L=14				*		1	
70		23512817		THROAT PLATE	FOR USE IN JAPAN			*		1	
71		23513302		CLOTH WASTE COVER				*		1	
72		SS4121015SP		SCREW 3/16-28 L=10				*		1	
73		SS9120910TP		SCREW 3/16-28 L=9				*		1	
74		B25792290A0		THRUST BEARING				*		1	

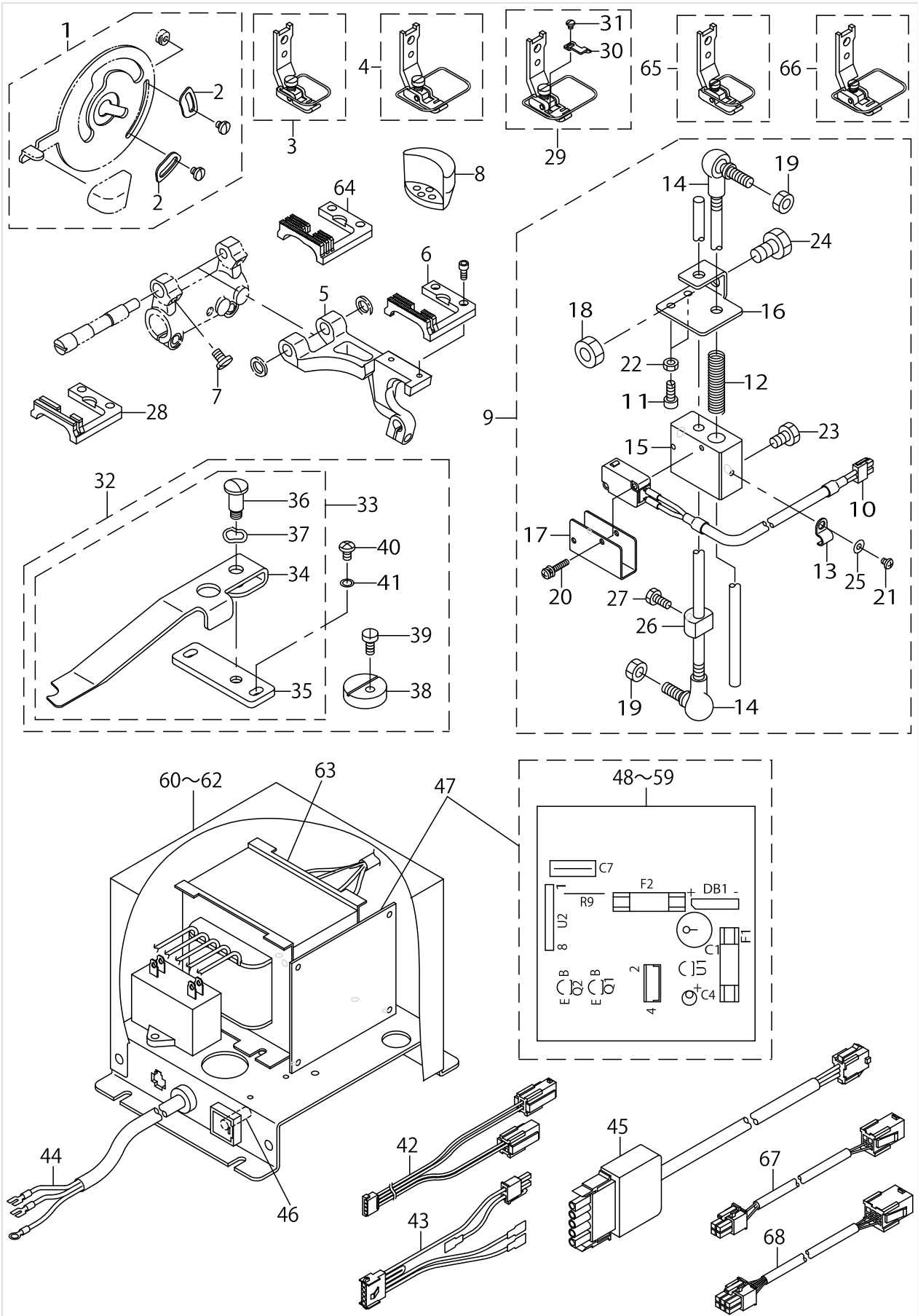
EXCLUSIVE PARTS FOR LZ-2282N(-7) (2)



EXCLUSIVE PARTS FOR LZ-2282N(-7) (2)

No.	Supply Code	Parts No.	Replacement	Parts name	Remarks	Choice	Step	Level	Cons	Qty	Rep. QTY
1		23505654		POSITION CHANGE LEVER ASM.						1	
2		23505605		NEEDLE POSITION STOPPER				*		2	
3		23509169		PRESSER ASM.	OPTIONAL PARTS (ACCESSORIES PARTS FOR JE)					1	
4		23509466		PRESSER ASM.						1	
5		40057280		FEED BASE ASM.						1	
6		23505910		FEED DOG	OPTIONAL PARTS (ACCESSORIES PARTS FOR JE)					1	
7		SS7120710SP		SCREW 3/16-28 L=7						2	
8		23509706		HEAD SUPPORT RUBBER						2	
9		23510050		STARTING SWITCH ASM.						1	
10		23510159		SWITCH ASM.				*		1	
11		B3208280000		BOBBIN WINDER ADJUSTING SCREW				*		2	
12	D	23510308		SWITCH SPRING				*		1	
13		B3538112000		OIL RETURN TUBE HOLDER				*		1	
14	R	D7117555BA0	22958557	JOINT BAR A ASM.				*		2	1.00
15		23510407		SWITCH BASE				*		1	
16		23510506		SWITCH PLATE				*		1	
17		MA011602N00		MICRO-SWITCH COVER				*		1	
18		NM6080721SE		NUT M8				*		1	
19		NM6060001SE		NUT M6				*		2	
20		SL4031691SC		SCREW M3 L=16				*		2	
21	R	SM4030411SB	SM4030401SC	SCREW M3X0.5 L=4				*		1	1.00
22		NS6110360SP		NUT				*		2	
23		SM9061003SC		SCREW M6X10				*		1	
24		SM9081423SE		SCREW M8 L=14				*		1	
25		WP0330501SB		WASHER M3				*		1	
26		26308809		STOPPER				*		1	
27	R	SS9111013SP	SS9111010SP	SCREW 11/64-40 L=9.5				*		1	1.00
28		23512015		FEED DOG	FOR JE					1	
29		23512569		PRESSER ASM.	FOR JE					1	
30	D	23512601		LACE GUIDE				*		1	
31		SS4060310SP		SCREW 3/32-56 L=2.5				*		1	
32		23512163		SEPARATION PLATE ASM.	OPTIONAL PARTS (ACCESSORIES PARTS FOR JE)					1	
33		23512155		SEPARATION PLATE COMPL.				*		1	
34	R	23512106	23512155	SEPARATION PLAT				*		1	1.00
35		23512205		SEPARATION PLAT BASE				*		1	
36		SD0791331SP		HINGE SCREW D= 7.94 H=13.3				*		1	
37		WZ0850302K0		WAVED WASHER 8.5X12.5X0.3				*		1	
38		23512304		SEPARATION STOPPER				*		1	
39		SS9111010SP		SCREW 11/64-40 L=9.5				*		1	
40		SS4110715SP		SCREW 11/64-40 L=7				*		1	
41		WP0510516SD		WASHER 5.1X7.5X0.5				*		1	

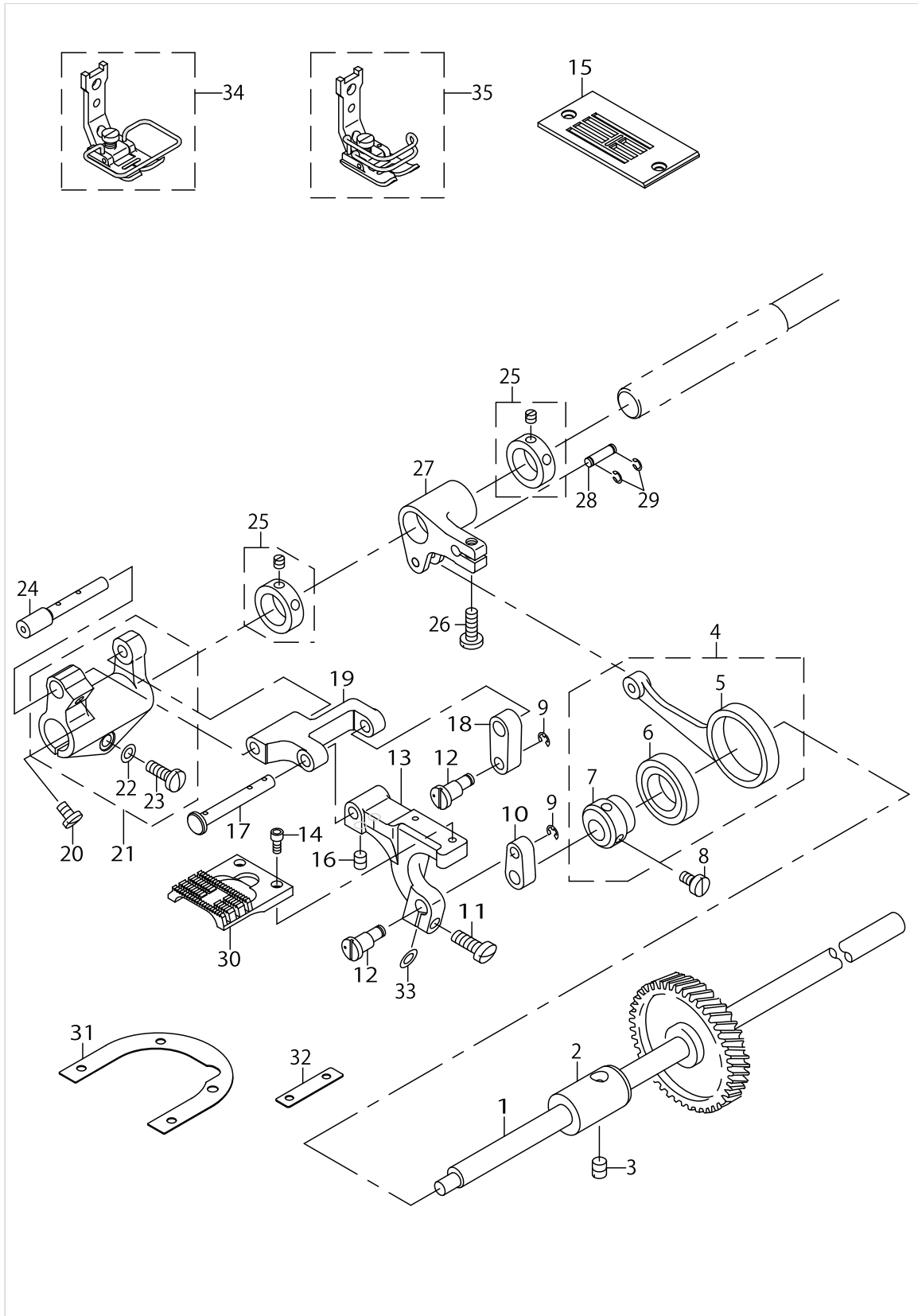
EXCLUSIVE PARTS FOR LZ-2282N(-7) (2)



EXCLUSIVE PARTS FOR LZ-2282N(-7) (2)

No.	Supply Code	Parts No.	Replacement	Parts name	Remarks	Choice	Step	Level	Cons	Qty	Rep. QTY
42		M8504429AA0A		CORD A ASM.						1	
43		M8502429AA0		CORD A ASM.						1	
44	D	M8503429AA0		CORD A ASM.						1	
45		M8505429AA0		CORD A ASM.						1	
46		HF0078016P0		FUSE 250VT 1.6A						1	
47		M8601429AA0A		CONTROL BASE A ASM.						1	
48		HL017120000		PHOTO COUPLER				*		1	
49	R	HG005640000	HG006480000	DIODE BRIGDE (S1VB20)				*		1	1.00
50		HL003880000		VOLTAGE REGULA- TOR (UPC78L05A)				*		1	
51		HT002310000		TRANSISTOR 2SC1815				*		2	
52		HR022301010		FIXED RESISTANCE				*		1	
53		HC018201020		ALUMINUM ELECTROLYSIS				*		1	
54	D	HC018204700		CAPACITOR 47 25V				*		1	
55		HC055711040		CAPACITOR				*		1	
56		HC036413320		CONDENSER				*		1	
57		HF0041050S0		FUSE 0.5A				*		1	
58		HF0041020P0		FUSE 2A				*		1	
59		HK01650004A		CONNECTOR 4P				*		1	
60		M2001429BA0		PSC BOX B ASM.	FOR 200V,3-PHASE					1	
61	D	M2001429CA0		PSC BOX C ASM.	FOR 230V,3-PHASE					1	
62		M2001429AA0		PSC BOX A ASM.	FOR 100V,1-PHASE					1	
63		M8501429AA0		POWER SOURCE T- RANSFORMER ASM.						1	
64		23512908		FEED DOG	FOR USE IN JAPAN					1	
65		23513062		PRESSER ASM.	FOR USE IN JAPAN					1	
66		23513161		PRESSER ASM.	FOR USE IN JAPAN					1	
67		40097876		SWITCH JOIN CORD B ASSY						1	
68		40097877		MOTOR JOIN CORD B ASSY						1	

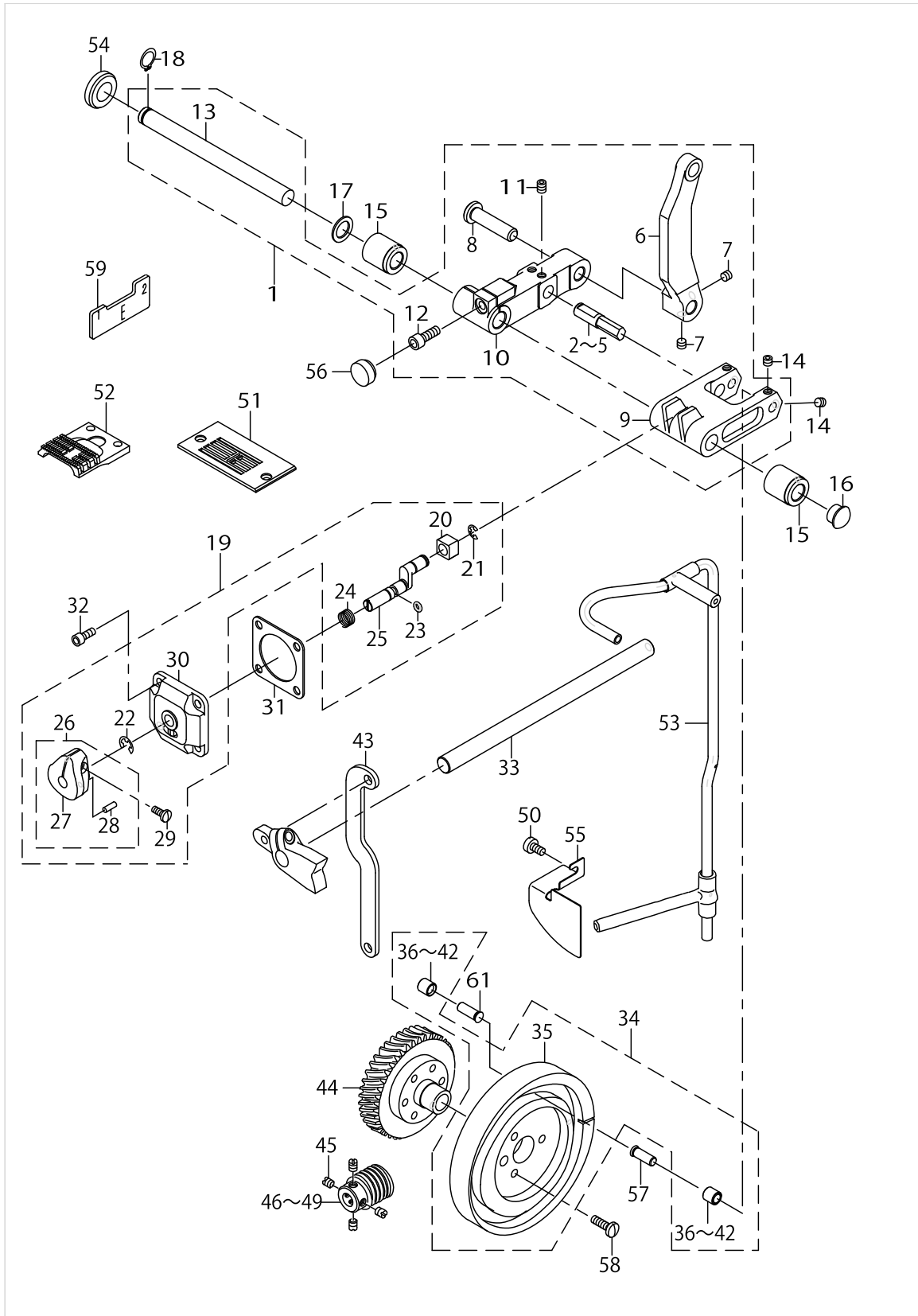
EXCLUSIVE PARTS FOR LZ-2284NU(-7)



EXCLUSIVE PARTS FOR LZ-2284NU(-7)

No.	Supply Code	Parts No.	Replacement	Parts name	Remarks	Choice	Step	Level	Cons	Qty	Rep. QTY
1		23502008		HOCK DRIVING SHAFT						1	
2		23502107		BUSING FRONT						1	
3	R	SS8150710SP	SS8150710TP	SCREW 15/64-28 L=7						1	1.00
4		23501356		VERTICAL FEED CAM ASM.						1	
5		23501406		VERTICAL FEED ROD				*		1	
6		SB117000100		BEARING				*		1	
7		23501307		VERTICAL FEED CAM				*		1	
8		SS6110820TP		SCREW 11/64-40 L=8						2	
9		RE0300000K0		E-RING 3						2	
10		22520001		LINK						1	
11		SS7121410TP		SCREW 3/16-28 L=14						1	
12		26303107		LINK SHAFT						2	
13		23501901		FEED BASE						1	
14		SS6580752TP		SCREW 1/8-40 L=7						2	
15		22582407		NEEDLE PLATE						1	
16		SM8050612TP		SCREW M5X6						2	
17		23501802		FEED BAR SHAFT B						1	
18		23501703		LINK B						1	
19		23501604		FEED BASE LINK						1	
20		SS7110740TP		SCREW 11/64-40 L=7						1	
21		22913156		FEED ROCKER ASM.						1	
22		WP0480856SP		WASHER 4.8X8.4X0.8				*		1	
23		SS7121410TP		SCREW 3/16-28 L=14				*		1	
24		22913206		FEED BAR SHAFT						1	
25		CS1470710SH		THRUST COLLAR A- SM. D=14.72 W=7						2	
26		SS7121410TP		SCREW 3/16-28 L=14						1	
27		23501513		VERTICAL FEED ARM						1	
28		11214806		PIN						1	
29		RC0330415KP		SNAP RING						2	
30		22581508		FEED DOG						1	
31		22503908		SPACER						1	
32		10025906		SPACER						1	
33		WP0500916SD		WASHER 5X7X0.9						1	
34		23503154		PRESSER ASM.	VARIOUS NOS. FOR DESTINATIONS					1	
35		23503162		PRESSER ASM.	VARIOUS NOS. FOR DESTINATIONS					1	

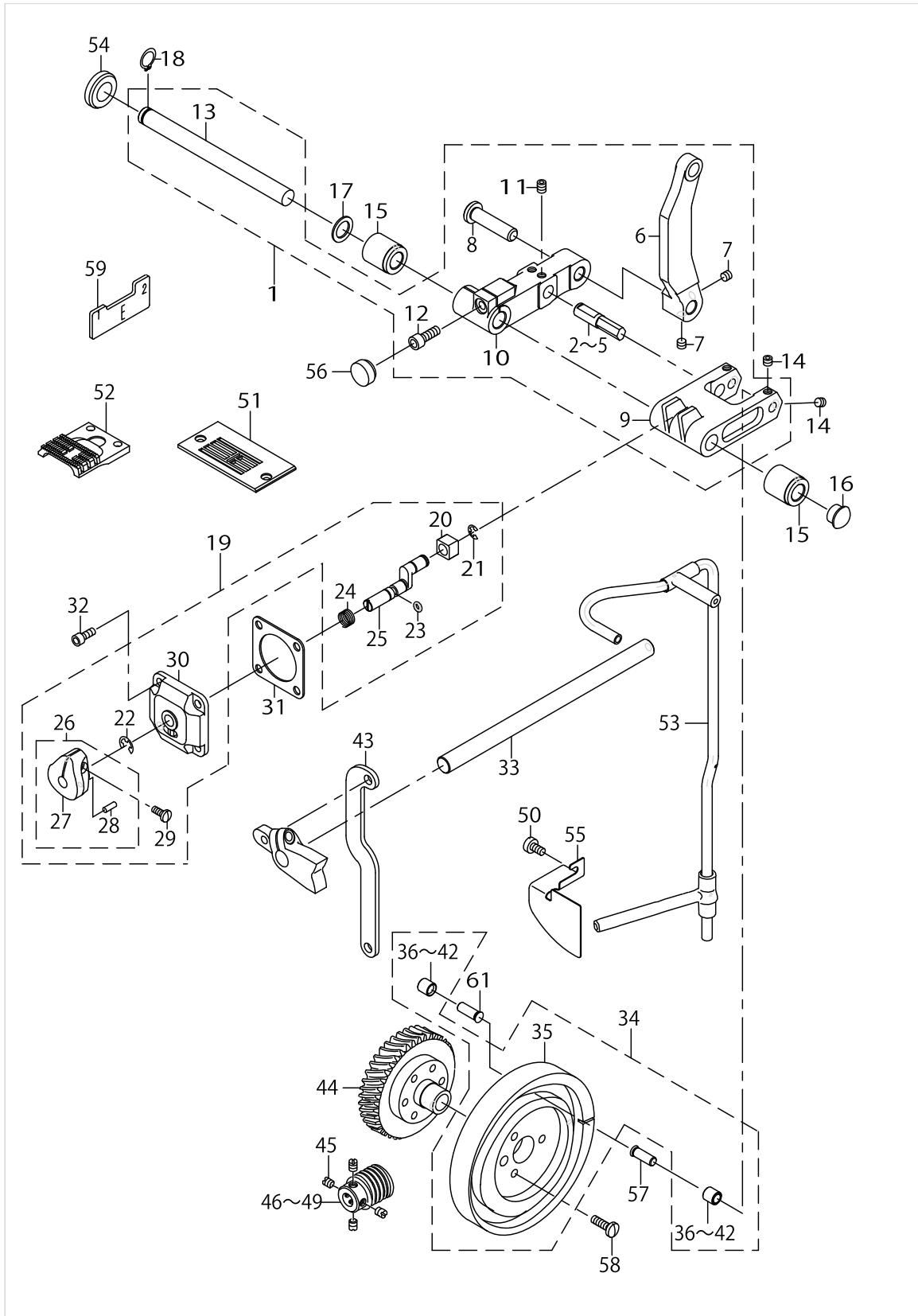
EXCLUSIVE PARTS FOR LZ-2284N(-7),LZ-2284C-7 (1)



EXCLUSIVE PARTS FOR LZ-2284N(-7),LZ-2284C-7 (1)

No.	Supply Code	Parts No.	Replacement	Parts name	Remarks	Choice	Step	Level	Cons	Qty	Rep. QTY
1		26312751		NEEDLE DRIVING ARM ASM.						1	
2		26313007		DIA PIN A	SELECTIVE PARTS			*		1	
3		26313106		DIA PIN B	SELECTIVE PARTS			*		1	
4		26313205		DIA PIN C	SELECTIVE PARTS			*		1	
5	D	26313304		DIA PIN D	SELECTIVE PARTS			*		1	
6	R	26313502	26312751	NEEDLE DRIVING ROD				*		1	1.00
7		SM8050412TP		SCREW M5 L=4				*		2	
8		26313403		NEEDLE DRIVING PIN A				*		1	
9		26312900		NEEDLE CAM ARM				*		1	
10		26312702		DRIVING ARM				*		1	
11		SM8050612TP		SCREW M5X6				*		2	
12		SM6051402TP		SCREW M5X0.8 L=14				*		1	
13		26312801		NEEDLE DRIVING SHAFT				*		1	
14		SM8050412TP		SCREW M5 L=4						4	
15		12308300		METAL FRONT						2	
16		TA1100604R0		PLUG						1	
17		B1637560000		WASHER						1	
18		RC0100001KP		SNAP RING M10						1	
19		40078331		CHANGE OVER BASIS ASM.						1	
20		40078335		CHANGE OVER BLOCK				*		1	
21		RE0400000K0		E-RING 4				*		1	
22		RE0400000K0		E-RING 4				*		1	
23		RO029180100		RUBBER RING				*		1	
24		26314104		SPRING				*		1	
25		40078336		CHANGE OVER SLIDE SHAFT				*		1	
26	R	40078333	40078331	CHANGE OVER LEVER ASM.				*		1	1.00
27		40078334		CHANGE OVER LEVER				*		1	
28		PH0300085S0		PIN				*		1	
29		SS7090910TP		SCREW 9/64-40 L=8.5				*		1	
30		40078332		CHANGE OVER BASIS				*		1	
31		22501704		GASKET						1	
32		SS6111052TP		SCREW						4	
33		26312405		FEED LEVER SHAFT						1	
34		40083221		NEEDLE CAM ASM.						1	
35	R	23518822	40083221	NEEDLE CAM				*		1	1.00
36		40064313		NEEDLE CAM ROLLER A	SELECTIVE PARTS			*		2	
37		40064314		NEEDLE CAM ROLLER B	SELECTIVE PARTS			*		2	
38		40064315		NEEDLE CAM ROLLER C	SELECTIVE PARTS			*		2	
39		40064316		NEEDLE CAM ROLLER D	SELECTIVE PARTS			*		2	
40		40064317		NEEDLE CAM ROLLER E	SELECTIVE PARTS			*		2	
41		40064319		NEEDLE CAM ROLLER F	SELECTIVE PARTS			*		2	
42		40064320		NEEDLE CAM ROLLER G	SELECTIVE PARTS			*		2	
43		26314401		FEED CHANGE LINK A						1	
44	R	22585657	40125633	WORM WHEEL COMPL.						1	1.00
45		SS8660610TP		SCREW 1/4-40 L=6						4	
46		22527006		WORM A						1	

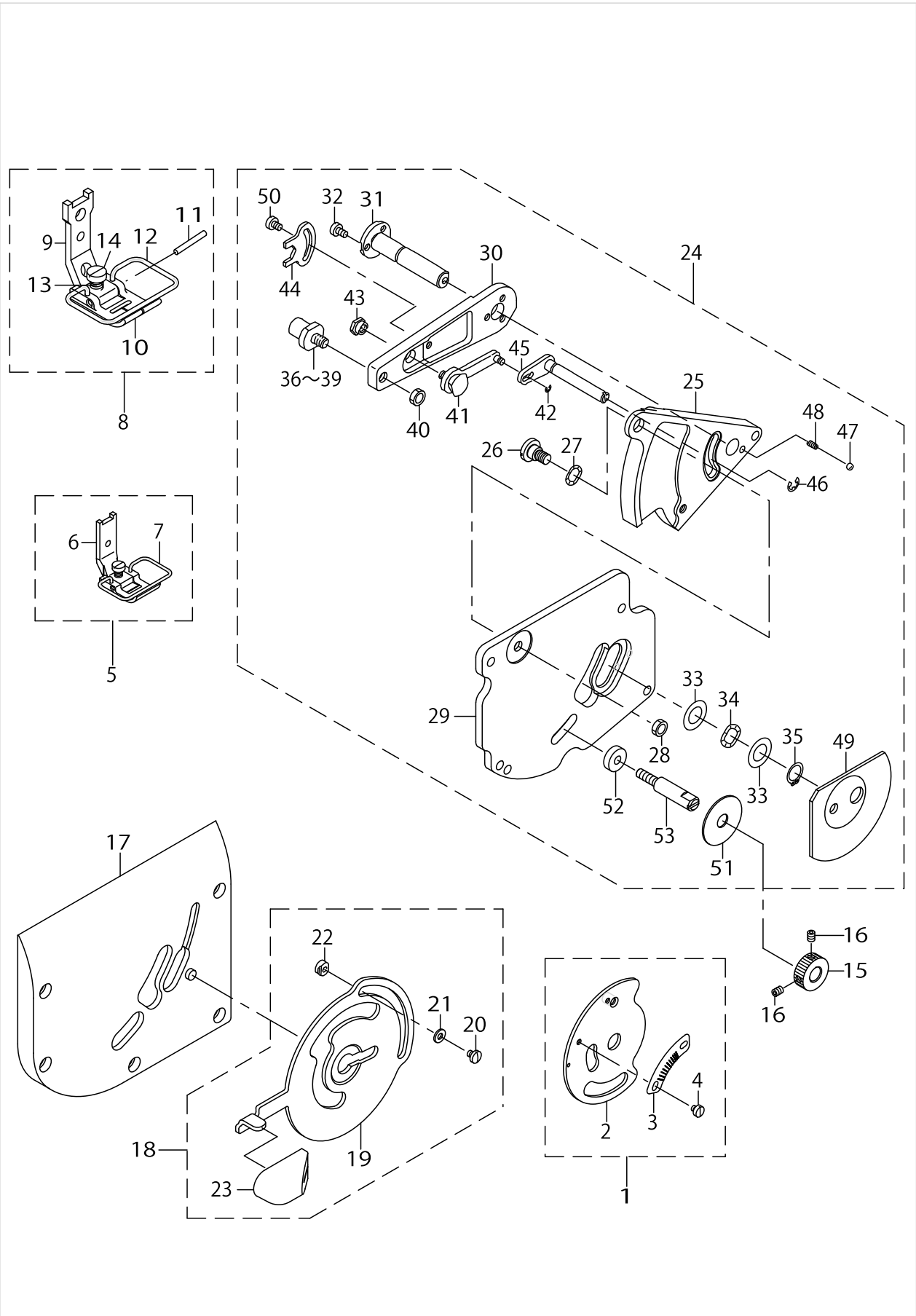
EXCLUSIVE PARTS FOR LZ-2284N(-7),LZ-2284C-7 (1)



EXCLUSIVE PARTS FOR LZ-2284N(-7),LZ-2284C-7 (1)

No.	Supply Code	Parts No.	Replacement	Parts name	Remarks	Choice	Step	Level	Cons	Qty	Rep. QTY
47		22527105		WORM B						1	
48		22527204		WORM C						1	
49		22527303		WORM D						1	
50		SS6110810TP		SCREW 11/64-40 L=8						1	
51		22582407		NEEDLE PLATE						1	
52		22581508		FEED DOG						1	
53		40073481		OIL SUPPY PIPE ASM.						1	
54		TA2200502R0		RUBBER PLUG						1	
55		23519804		OIL SHIELD						1	
56		TA1470702R0		RUBBER PLUG						1	
57		26313700		NEEDLE CAM ROLLER SHAFT						2	
58		SS7111410TP		SCREW11/64-40L=14						3	
59		22536502		TIMING GAUGE E						1	

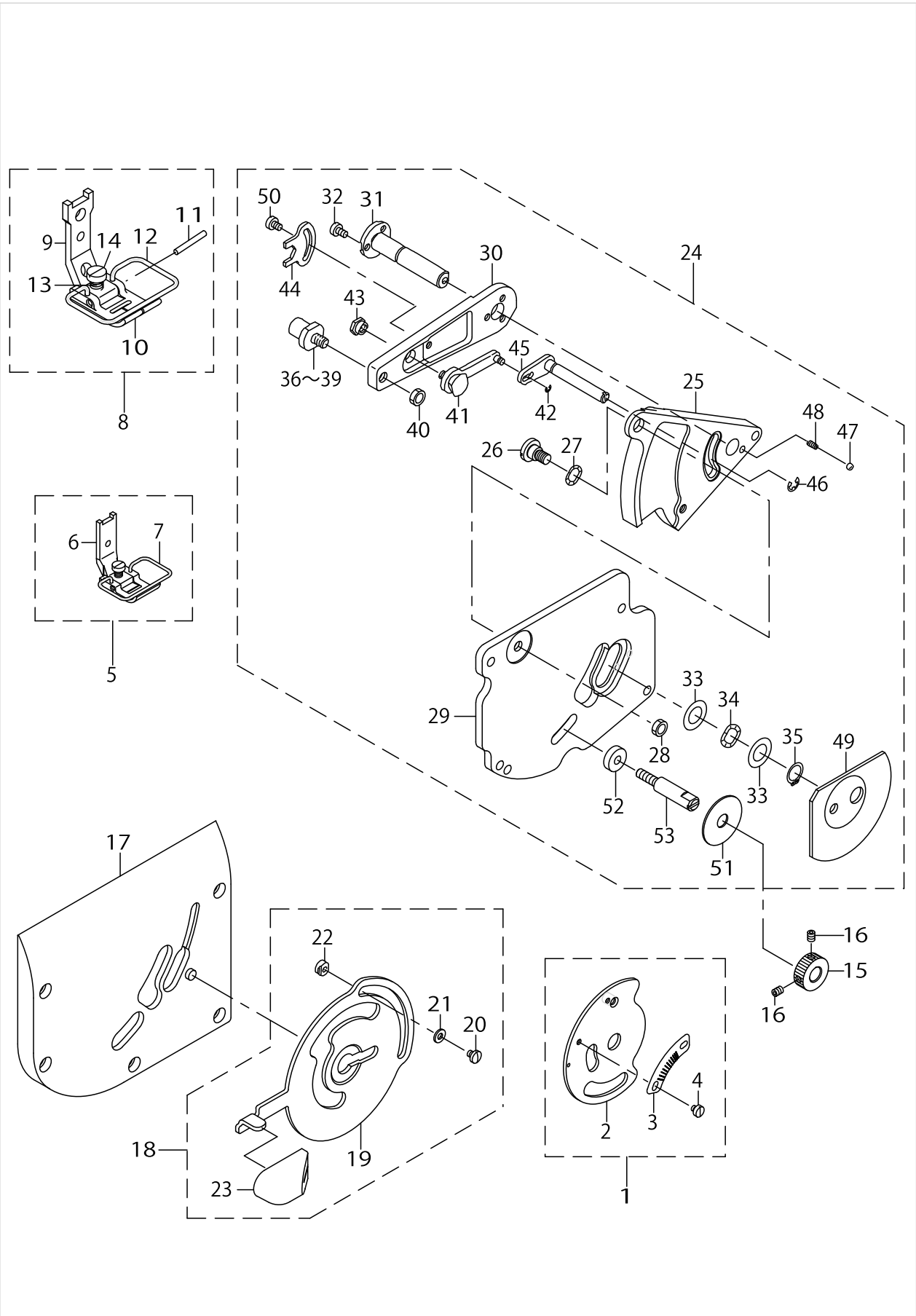
EXCLUSIVE PARTS FOR LZ-2284N(-7),LZ-2284C-7 (2)



EXCLUSIVE PARTS FOR LZ-2284N(-7),LZ-2284C-7 (2)

No.	Supply Code	Parts No.	Replacement	Parts name	Remarks	Choice	Step	Level	Cons	Qty	Rep. QTY
1		23521263		SWING WIDE GRADUATION ASM.						1	
2		23521255		FITTING PLATE COMPL.				*		1	
3		22586226		SWING WIDE GRADUATION				*		1	
4		SS6080320SP		SCREW 1/8-44 L= 2.5				*		2	
5		22580864		PRESSER ASM.						1	
6		10055051		PRESSER FOOT ASM.				*		1	
7		22580302		SAFETY COVER				*		1	
8		22584965		PRESSER FOOT ASM.						1	
9	R	22545206	22547558	PRESSER FOOT (UPPER)				*		1	1.00
10	R	22584908	22584965	PRESSER FOOT (LOWER)				*		1	1.00
11		10021103		PRESSER PIN				*		1	
12		22545404		SAFETY COVER				*		1	
13		B1525582000		SPRING				*		1	
14		SS6090810SP		SCREW 9/64-40 L= 7.5				*		1	
15		23521404		ADJUSTING PICK-UP						1	
16		SM8040502TP		SCREW M4X0.7 L=5						2	
17		22568356		SIDE COVER ASM.						1	
18		22573257		CHANGING LEVER ASM.						1	
19		22573208		NEEDLE POSITION CHANGE LEVER				*		1	
20		SS7090410SP		SCREW 9/64-40 L= 3.5				*		2	
21		WP0371016SD		WASHER 3.7X8X1				*		2	
22		10015907		LEVER STOPPER				*		2	
23		22512602		KNOB				*		1	
24		23521057		CHANGE BASE ASM.						1	
25		26319004		NEEDLE POSITION CHANGE BASE				*		1	
26		SD0800402TP		HINGE SCREW D= 8 H= 4				*		1	
27		WZ0850302K0		WAVED WASHER 8.5X12.5X0.3				*		3	
28		NS6150310SP		NUT 15/64-28				*		1	
29		23521107		CHANGE BASE FITTING PLATE				*		1	
30		26301507		ARM				*		1	
31		26307306		SHAFT				*		1	
32	R	SS6090620SP	SS6090620TP	SCREW 9/64-40 L=6				*		3	1.00
33		WP1020616SD		WASHER				*		2	
34		WZ1052010KP		WAVED WASHER				*		1	
35		RC0100001KP		SNAP RING M10				*		1	
36		10016517		SHAFT	SELECTIVE PARTS			*		1	
37		10016210		SHAFT	SELECTIVE PARTS			*		1	
38		10016319		SHAFT	SELECTIVE PARTS			*		1	
39		10016418		SHAFT	SELECTIVE PARTS			*		1	
40		NS6150310SP		NUT 15/64-28				*		1	
41		10017168		STOPPER ASM.				*		1	
42		RE0200000K0		E-RING				*		1	
43		10018000		NUT				*		1	
44		10018109		NUT STOPPER				*		1	
45		10015360		LEVER ASM.				*		1	
46		RE0400000K0		E-RING 4				*		1	

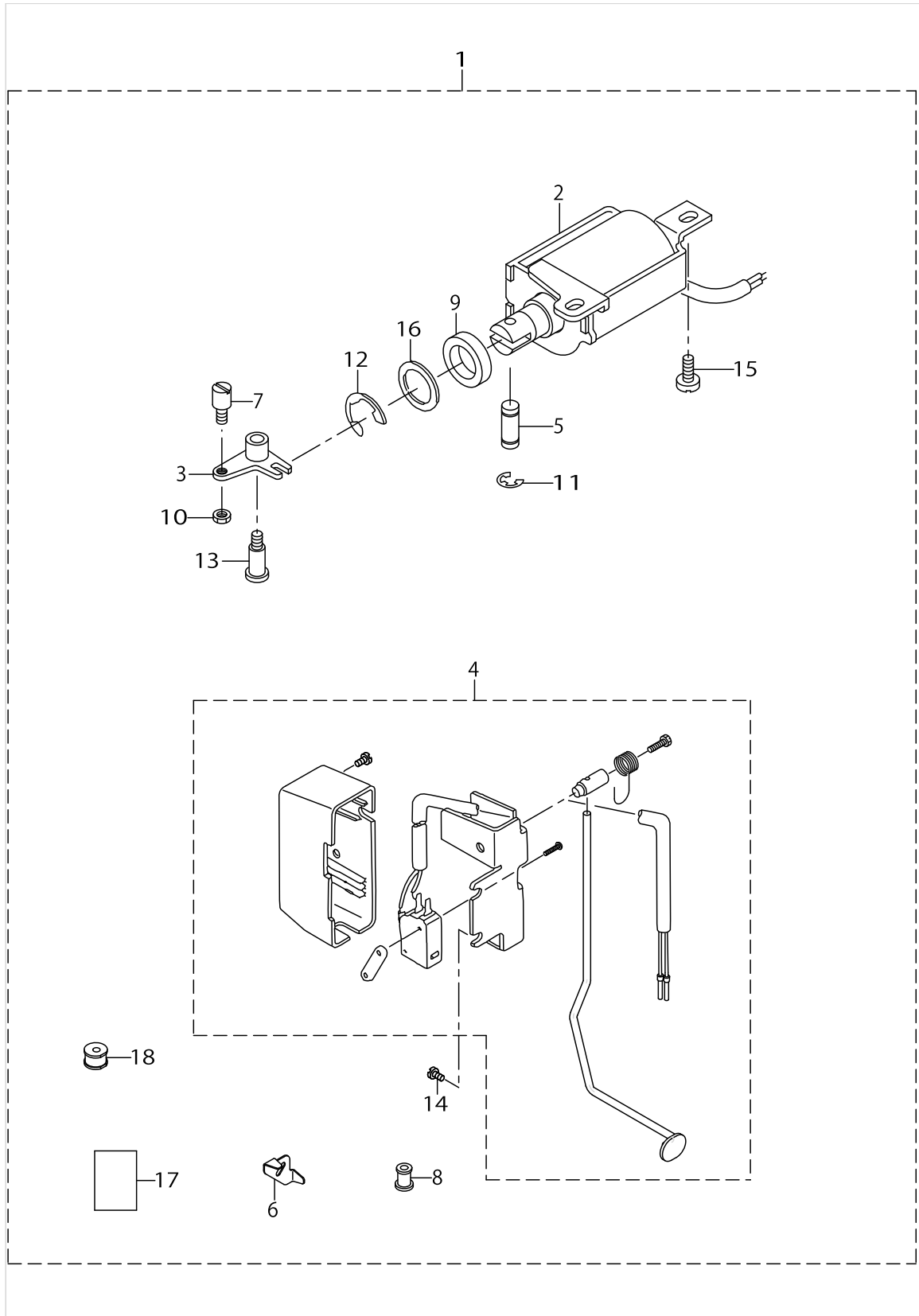
EXCLUSIVE PARTS FOR LZ-2284N(-7),LZ-2284C-7 (2)



EXCLUSIVE PARTS FOR LZ-2284N(-7),LZ-2284C-7 (2)

No.	Supply Code	Parts No.	Replacement	Parts name	Remarks	Choice	Step	Level	Cons	Qty	Rep. QTY
47		B2608761000		HAND STOP CRANK SHAFT BALL				*		1	
48		10017408		SPRING				*		1	
49		10017606		OIL SHIELD				*		1	
50		SS6090520SP		SCREW 9/64-40 L=5.0				*		1	
51		22573505		PACKING				*		1	
52	R	B1430761000	40009109	ROLLER				*		1	1.00
53		23521305		ADJUSTING PICK-UP SCREW				*		1	

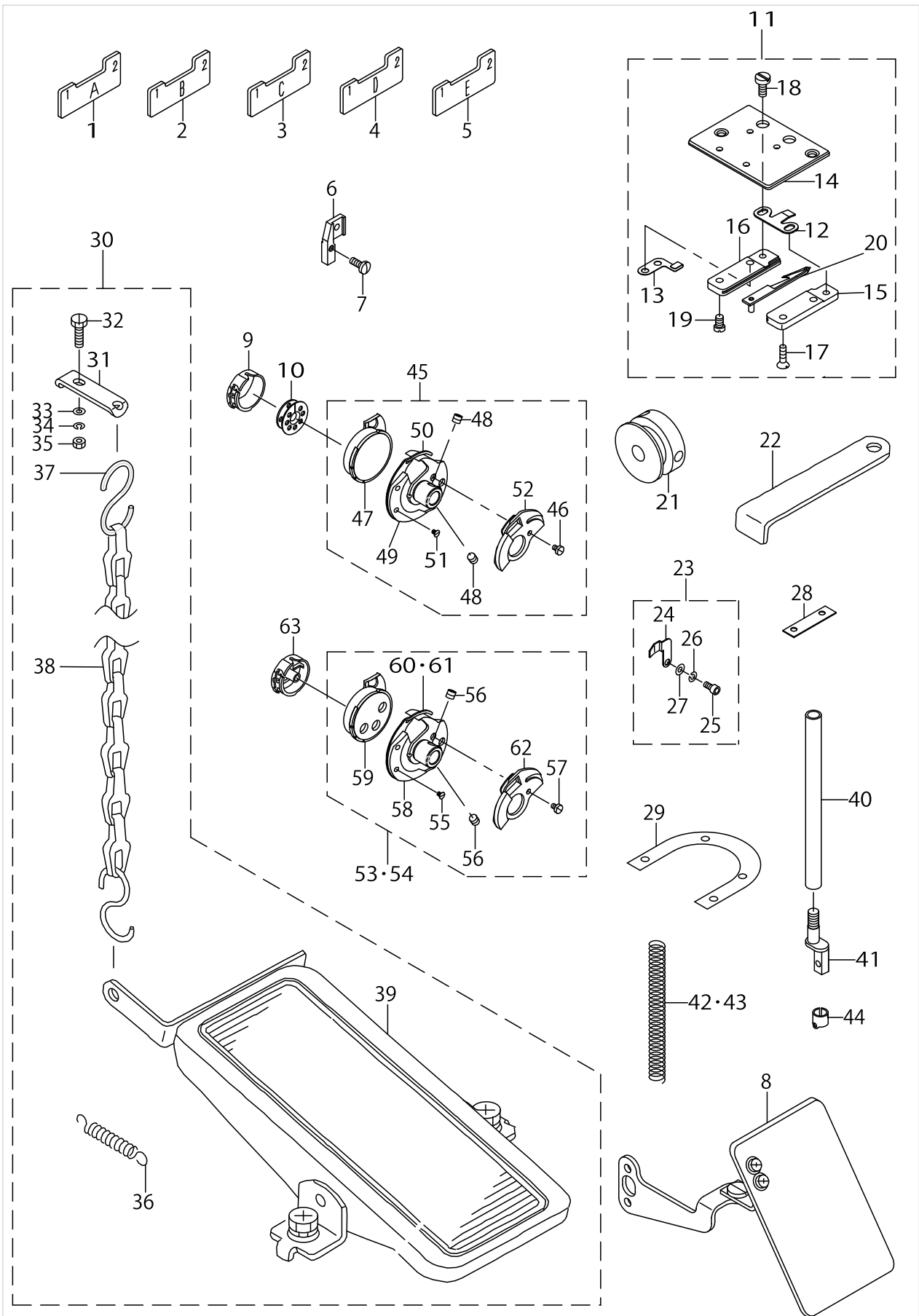
SPECIAL ORDER PARTS (1)



SPECIAL ORDER PARTS (1)

No.	Supply Code	Parts No.	Replacement	Parts name	Remarks	Choice	Step	Level	Cons	Qty	Rep. QTY
1		22561559		AUTOMATIC BACK MACHINE						1	
2		40108060		REVERSE FEED SOLENOID ASM.				*		1	
3		22544159		REVERSE FEED MAGNET LINK				*		1	
4		22559850		REVERSE FEED SWITCH				*		1	
5	R	11101003	22953509	PLUNGER ARM PIN				*		1	1.00
6	R	11102605	22954705	CORD HOLDER				*		1	1.00
7		B1213372000		SCREW				*		1	
8		D2467555B00		RUBBER PLUG				*		2	
9		D2468555B00		RUBBER PLUNGER				*		1	
10		NS6150310SP		NUT 15/64-28				*		1	
11		RE0400000K0		E-RING 4				*		2	
12		RE1200000K0		E-RING 12				*		1	
13		SD0791503SP		HINGE SCREW D=7.94 H=15				*		1	
14		SS4120615SP		SCREW 3/16-28 L=6				*		2	
15		SS4150915SP		SCREW 15/64-28 L=9				*		2	
16		WP1602616SZ		WASHER 16X24X2.6				*		1	
17		29141900		INSTRUCTION MANUAL				*		1	
18		11030202		RUBBER BUSHING				*		1	

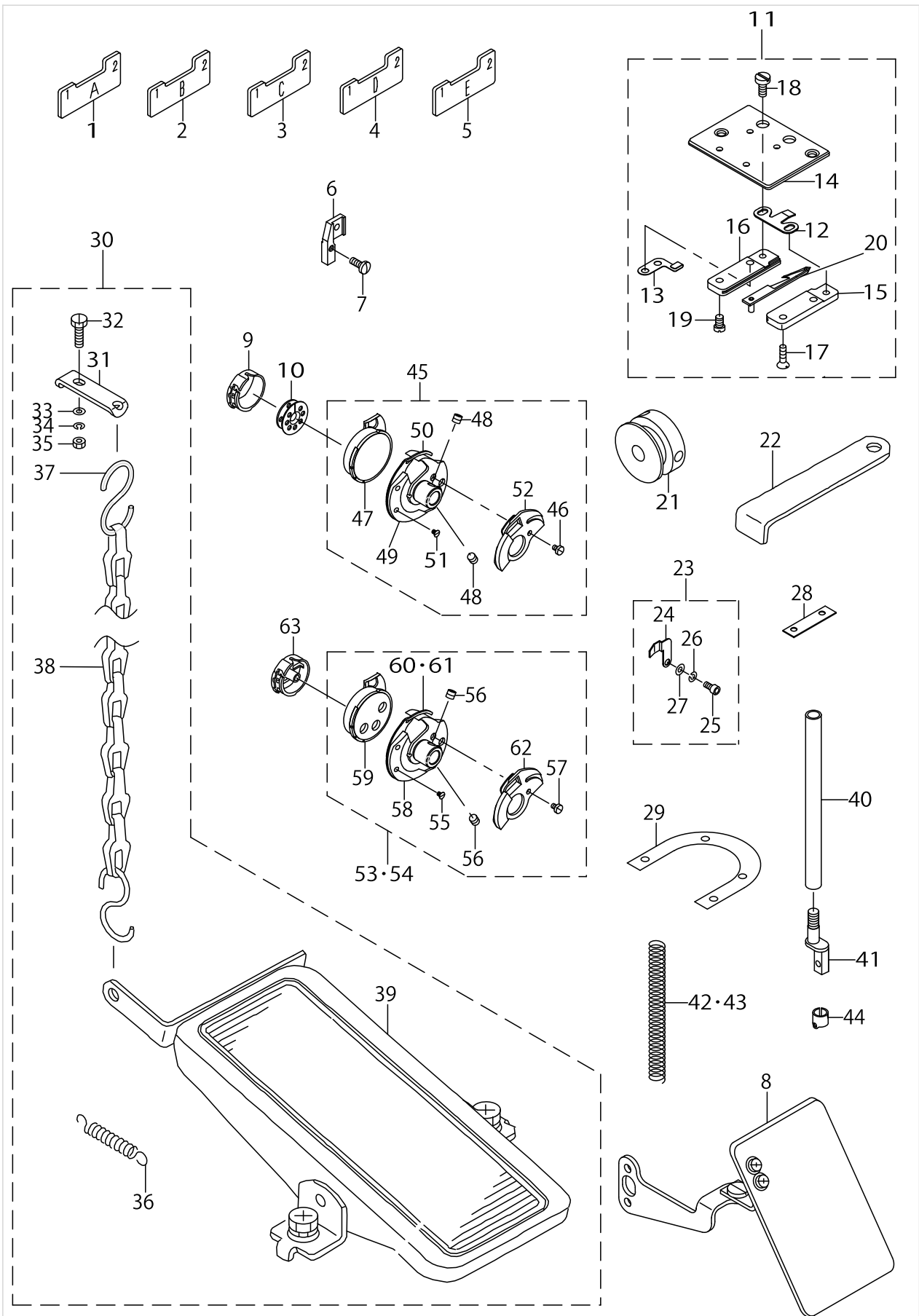
SPECIAL ORDER PARTS (2)



SPECIAL ORDER PARTS (2)

No.	Supply Code	Parts No.	Replacement	Parts name	Remarks	Choice	Step	Level	Cons	Qty	Rep. QTY
1	D	22535801		TIMING GAUGE						1	
2		22586705		TIMING GAUGE						1	
3	D	22535900		TIMING GAUGERIGHT						1	
4		22536403		TIMING GAUG D						1	
5		22536502		TIMING GAUGE E						1	
6		B1551586000		PRESSER FOOT JOINT						1	
7	R	SS7090910SP	SS7090910TP	SCREW 9/64-40 L=8.5						1	1.00
8		22503353		SAFETY PLATE ASM.						1	
9		23522550		NOT TURN BOBBIN CASE ASM.						1	
10		23523004		NOT TURN BOBBIN						1	
11		22556054		KNIFE UNIT						1	
12		22556302		FIXED KNIFE				*		1	
13		22556450		CLAMP PLATE ASM.				*		1	
14		22556609		SLIDING PLATE				*		1	
15		22556708		DRIVING BASE				*		1	
16		22556807		DRIVING BASE				*		1	
17		SS1090510SP		SCREW 9/64-40 L=5				*		2	
18		SS6090420SP		SCREW 9/64-40 L=4.0				*		2	
19		SS7090710SP		SCREW 9/64-40 L=6.8				*		2	
20		22556153		DRIVING KNIFE ASM.				*		1	
21	D	22555403		THREAD CUTTING CAM						1	
22		B9101490000		DRIVER						1	
23		22525455		NEEDLE HOLDER ASM.						1	
24		22525406		NEEDLE GUARD				*		1	
25		SM6030602TP		SCREW M3X0.5 L=6				*		1	
26		WS0310702KS		SPRING WASHER				*		1	
27		WP0320500SC		WASHER M3				*		2	
28		10025906		SPACER						1	
29		22503908		SPACER						1	
30		GRF010000B0		RF-1 BACK STITCH DEVICE ASM.						1	
31	D	GRF01001000		PLATE				*		1	
32		SS9111510SP		SCREW 11/64-40 L=15				*		1	
33		WP0501016SD		WASHER 5X10.5X1				*		1	
34		WS0441040KP		SPRING WASHER 4.4X7.4X1				*		1	
35		NS6110420SP		NUT 11/64-40				*		1	
36	D	MAT80117S00		SPRING				*		1	
37	R	B8133019000	13160304	S SHAPED HOOK				*		2	1.00
38	R	B8131019000	26037903	CHAIN				*		1	1.00
39		11960853		PEDAL ASM.				*		1	
40		D1501583H00		PRESSER BAR						1	
41		D1502583H00		PRESSER BAR						1	
42	R	B150522700A	B1505227T00A	PRESSER SPRINGφn		B	B:Japan			1	1.00
42	R	B150522700A	11162104	PRESSER SPRINGφn		C	C:自由選択- 品/C:Free choice parts			1	1.00
42	R	B150522700A	22907406	PRESSER SPRINGφn						1	1.00
43		11162104		PRESSER SPRINGφn						1	

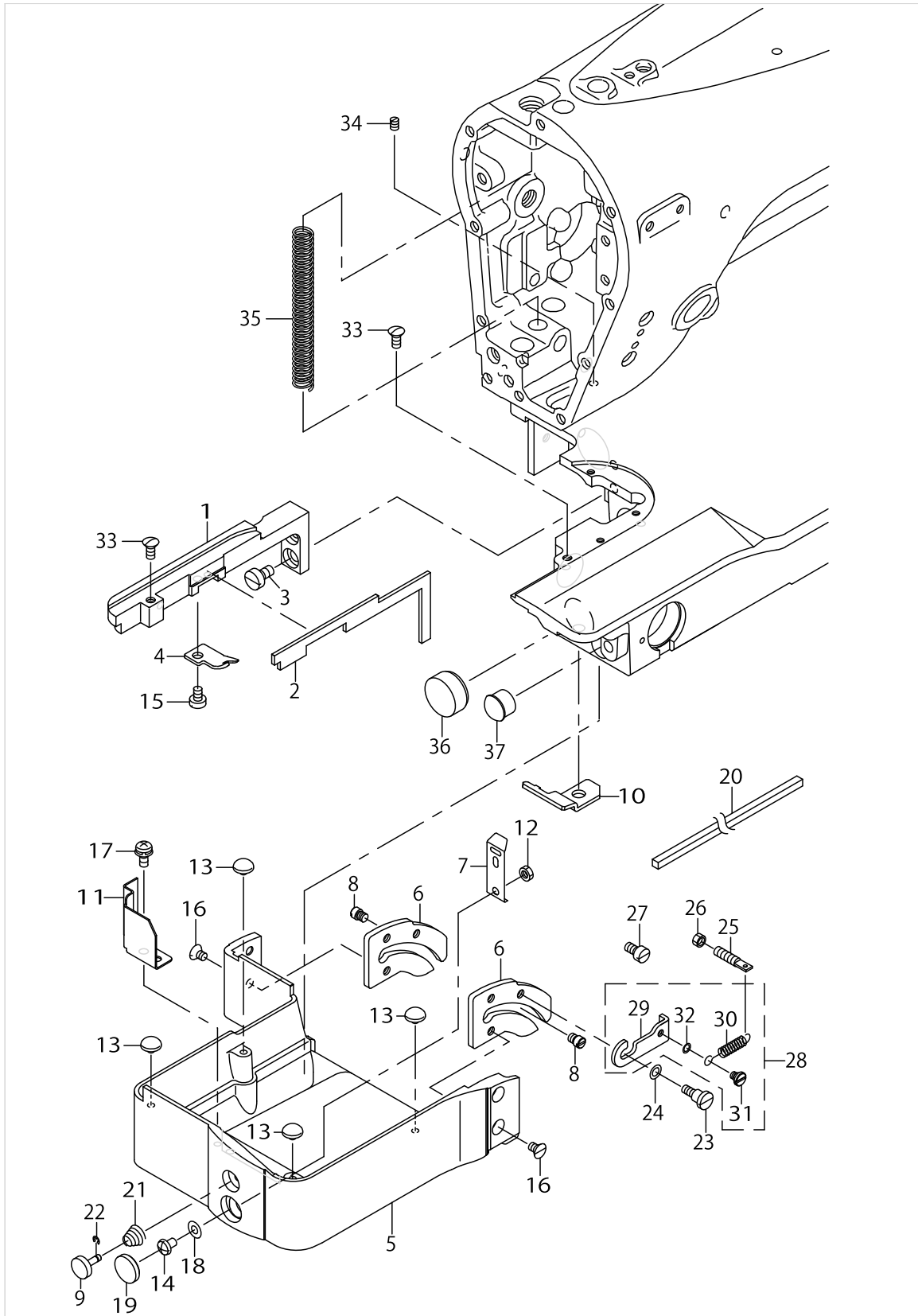
SPECIAL ORDER PARTS (2)



SPECIAL ORDER PARTS (2)

No.	Supply Code	Parts No.	Replacement	Parts name	Remarks	Choice	Step	Level	Cons	Qty	Rep. QTY
44		22507701		THRED RACK RIGHT						1	
45		23523152		NOT TURN BOBBIN HOOK COMPL. V						1	
46		10033108		HOOK COUNTER BALANCE SCREW				*		1	
47		22526008		INNER HOOK V				*		1	
48		SS8110422TP		SCREW 11/64-40 L=4				*		2	
49	R	22525919	22525968	OUTER HOOK V				*		1	1.00
50		23503501		INNER HOOK PRESSER V-S				*		1	
51		10033009		HOOK GIB SCREW				*		2	
52		23523202		NOT TURN BOBBIN INNER HOOK V				*		1	
53		23503659		HOOK COMPL. S	FOR INNER HOOK S					1	
54		23502958		HOOK CONNECTIONK	FOR INNER HOOK K					1	
55		23504103		INNER HOOK PRESSER SETSCREW S				*		3	
56		23504301		OUTER HOOK SETSCREW S				*		2	
57		23504400		HOOK COUNTER BALANCE SCREW S				*		1	
58	R	23503709	23503659	OUTER HOOK S		A		*		1	1.00
58	R	23503709	23502958	OUTER HOOK S		B		*		1	1.00
59		23503808		INNER HOOK S				*		1	
60		23503907		INNER HOOK PRESSER S	FOR INNER HOOK S			*		1	
61		23503006		INNER HOOK PRESSER K	FOR INNER HOOK K			*		1	
62		23504004		BACK PLATE S				*		1	
63		23504657		BOBBIN CASE WITH SPRING						1	

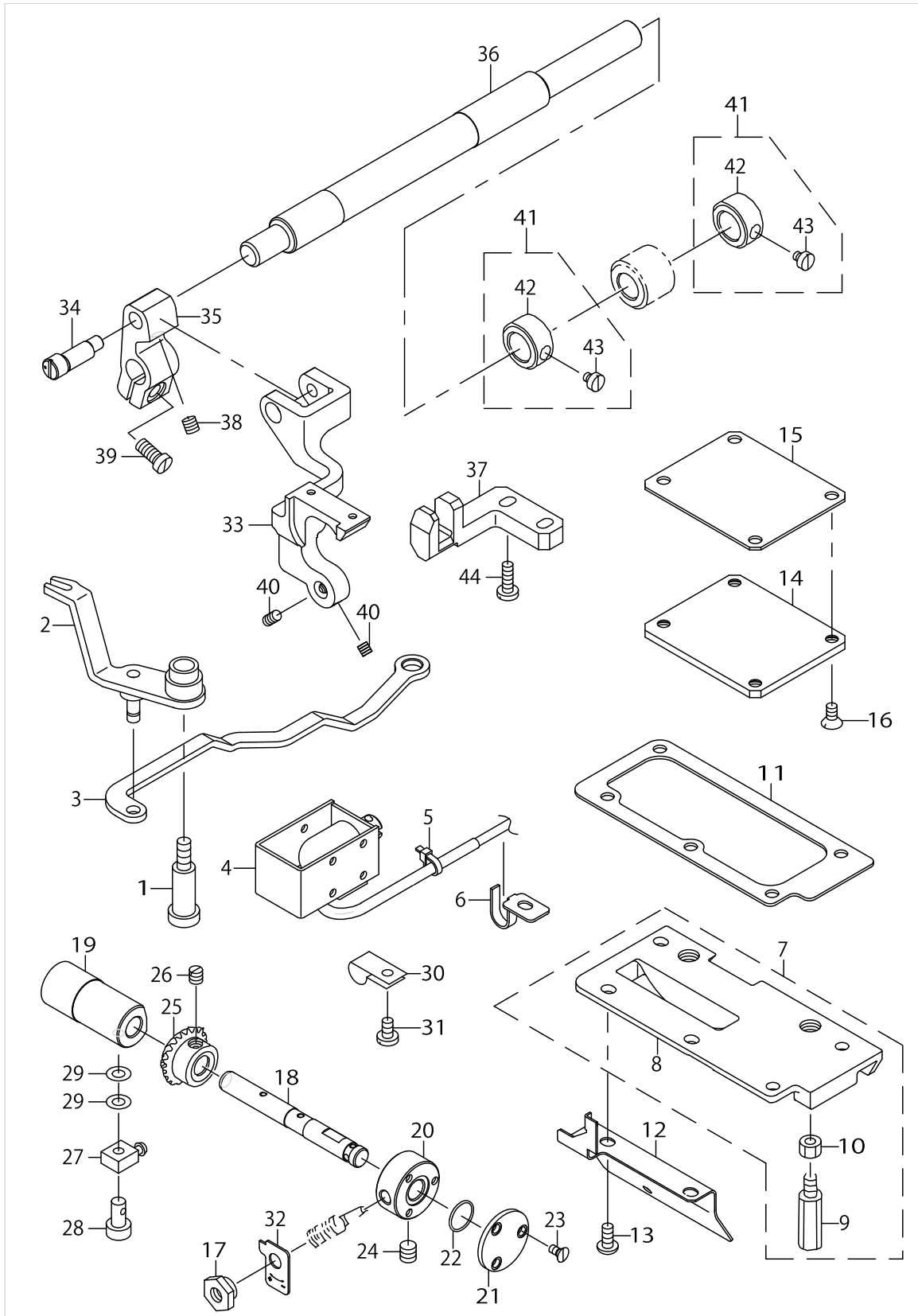
EXCLUSIVE PARTS FOR LZ-2284C-7 (1)



EXCLUSIVE PARTS FOR LZ-2284C-7 (1)

No.	Supply Code	Parts No.	Replacement	Parts name	Remarks	Choice	Step	Level	Cons	Qty	Rep. QTY
1		40005484		NEEDLE PLATE SUPPORT						1	
2		40005485		OIL RETURN FELT						1	
3		SS6120940SP		SCREW 3/16-28 L=9						2	
4		40005505		INNER HOOK STOPPER						1	
5		40005487		HOOK COVER						1	
6		40005488		HOOK COVER GUIDE						2	
7	R	40005489	40013309	HOOKECOVERSPRING		A				1	1.00
7	R	40005489	40013310	HOOKECOVERSPRING		A				1	1.00
8		40005490		HOOK COVER GUIDE PIN						4	
9		40005491		HOOK COVER BUTTON						1	
10	R	40005493	40013310	HOOK COVER STOPPER		A				1	1.00
10	R	40005493	40013309	HOOK COVER STOPPER		A				1	1.00
11		40005494		OIL SHIELD PLATE						1	
12		NM6040003SC		NUT M4						1	
13		B8226WP1000		FRAME RUBBER CUSHION						4	
14		SM5040655SN		SCREW						1	
15		SS6110610TP		SCREW 11/64-40 L=6						1	
16		SS1110640TP		SCREW 11/64-40 L= 5.5						4	
17		SL4040681SC		COMBINATION SCREW M4 X 8						1	
18		WP0430801SC		WASHER 4.3X9X0.8						1	
19		TA1450302R0		RUBBER PLUG						1	
20		B3541012000		OIL WICK						.25	
21	R	22963409	22963458	THREAD TENSION SPRING						1	1.00
22		RE0200000K0		E-RING						1	
23		SD0550212TP		HINGE SCREW D=5.5 H=2.1						1	
24		WP0450846SP		WASHER						1	
25		B2561205000A		SCREW						1	
26		NS6110310SP		NUT 11/64-40						1	
27		B1536804000		PIN						1	
28		40005517		HOOK COVER GUIDE STOPPER ASM.	ACCESSORIE PART					1	
29		40005492		HOOK COVER GUIDE STOPPER				*		1	
30		40005516		TENSION SPRING				*		1	
31		SD0460182SP		HINGE SCREW D= 4.6 H= 1.8				*		1	
32		WP0360516SD		WASHER M3				*		1	
33		SS2110920TP		SCREW 11/64-40 L=8.5						2	
34		SS8110520TP		SCREW 11/64-40 L= 4.5	ACCESSORIE PART					1	
35		22907406		PRESSER SPRING						1	
36		TA2101002R0		RUBBER PLUG						1	
37		TA1250804R0		RUBBER PLUG						1	

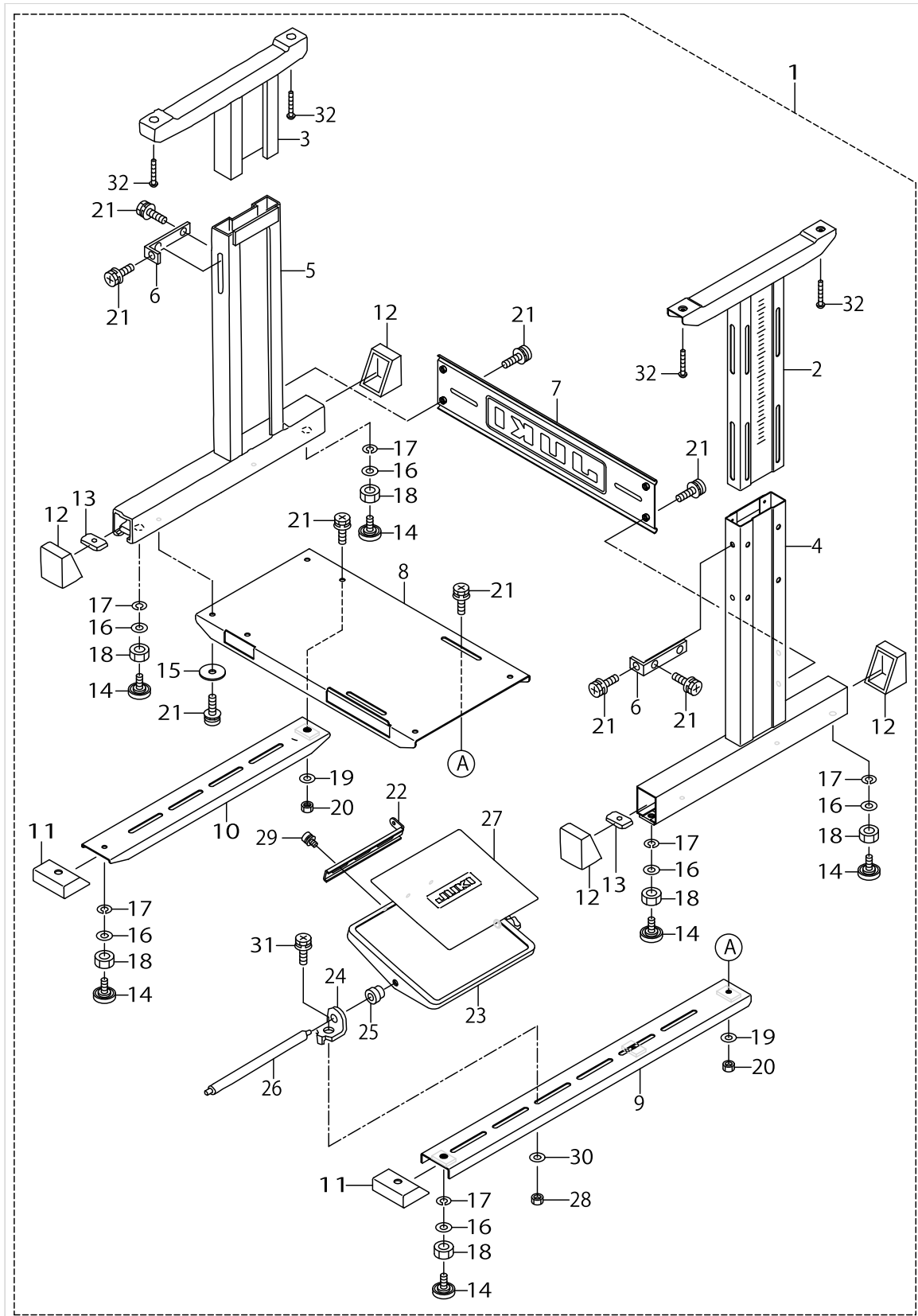
EXCLUSIVE PARTS FOR LZ-2284C-7 (2)



EXCLUSIVE PARTS FOR LZ-2284C-7 (2)

No.	Supply Code	Parts No.	Replacement	Parts name	Remarks	Choice	Step	Level	Cons	Qty	Rep. QTY
1		SD0791501SP		HINGE SCREW D= 7.94 H=15.0						1	
2		40005508		KNIFE BRANCH ASM.						1	
3		40005507		MOVING KNIFE LINK						1	
4		40106079		THREAD_TRIMMER_SOLENOID						1	
5		EA9500B0100		CABLE BAND						1	
6	R	B3523980000	26231902	OIL WICK PIPE STOPPER	VARIOUS NOS. FOR DESTINATIONS					1	1.00
7		40005477		DRIVING GEAR BOX COVER ASM.						1	
8		40005478		DRIVING GEAR BOX COVER				*		1	
9		10100410		BED SCREW STUD				*		2	
10		NS6700420SP		NUT 5/16-24				*		2	
11		40005480		DRIVING GEAR BOX COVER PACKING						1	
12		40005481		OIL SHIELD PLATE						1	
13		SS4110915SP		SCREW 11/64-40 L=9						5	
14		40005482		BEVEL GEAR BOX COVER						1	
15		40005483		BEVEL GEAR BOX COVER PACKING						1	
16		SS1110840SP		SCREW 11/64-40 L=8						4	
17	R	13521000	26227702	NUT						1	1.00
18		40043054		HOOK SHAFT						1	
19		40043055		HOOK SHAFT BUSHING						1	
20		40005503		HOOK SHAFT METAL (B)						1	
21		40005504		HOOK SHAFT METAL (B) COVER						1	
22		RO110090100		RUBBER RING						1	
23		SS1080620SP		SCREW 1/8-44 L=6						3	
24		SM8060602TP		SCREW M6X6						1	
25		40005506		HOOK DRIVING BEVEL GEAR (B)						1	
26		SM8050500SP		SCREW						2	
27		SQ0000401MZ		CONNECTING SCREW						1	
28		B3525357000		CONNECTING SCREW (B)						1	
29		B3534012000		GASKET						2	
30		B3536122000		HOLDER						1	
31		SS7110710SP		SCREW 11/64-40 L=7						1	
32		40005515		INDICATION PLATE						1	
33		40005496		FEED BASE						1	
34		40005497		FEED BASE SHAFT						1	
35		40005498		FEED BASE ARM						1	
36		40005499		HORIZONTAL FEED SHAFT						1	
37		40005500		FEED BASE GUIDE						1	
38		SM8050610TP		SCREW M5 L=6						1	
39		SM6051200TP		SCREW M5 L=12						1	
40		SM8040510TP		SCREW M4 L=5						2	
41		CS1111010SH		THRUST COLLAR A-SM. D=11.11 W=10						2	
42		CS1111019SH		THRUST COLLAR D=11.11 W=10				*		2	
43		SS6660710TP		SCREW 1/4-40 L=7				*		2	
44		SS7111120TP		SCREW						2	

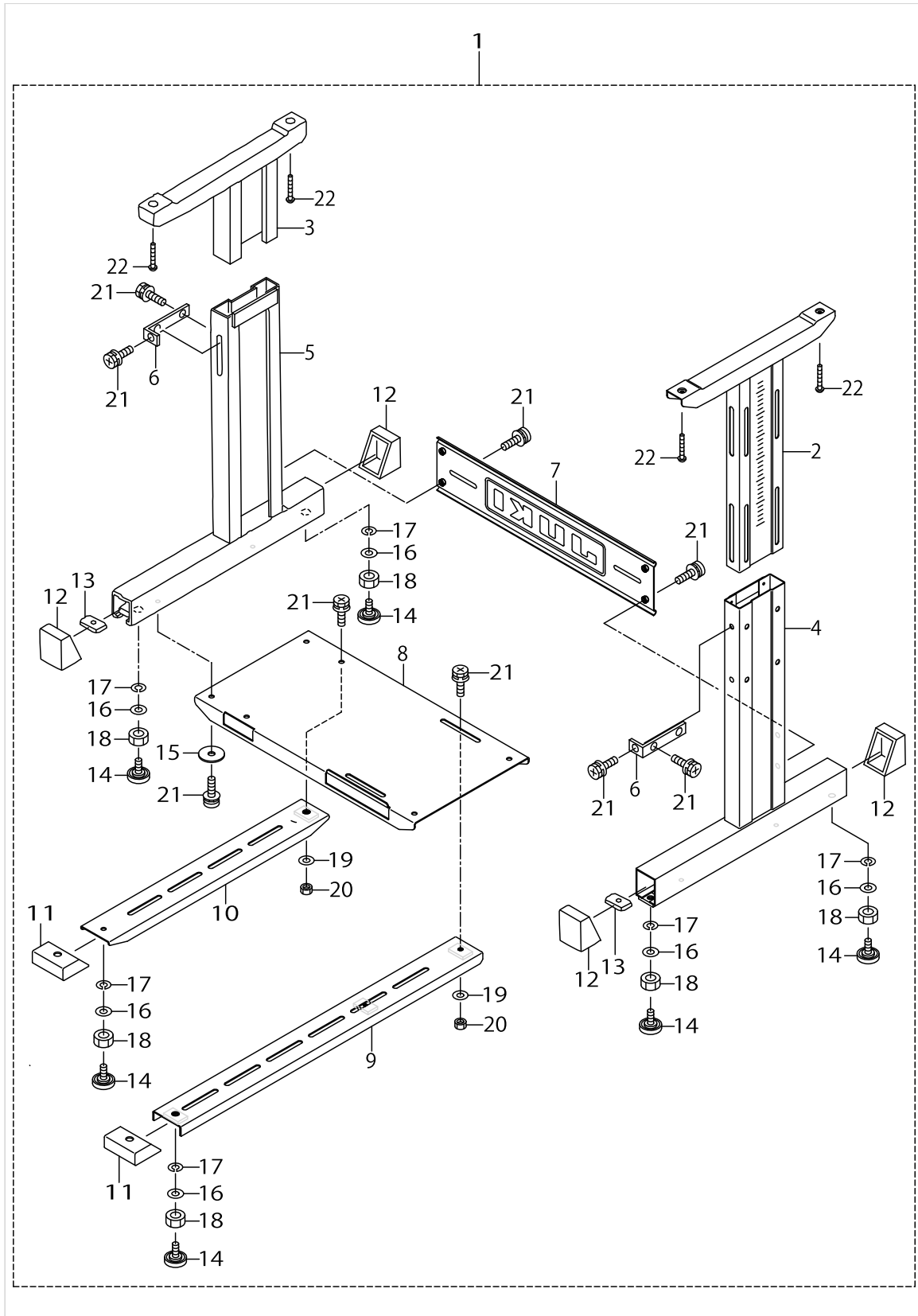
EXCLUSIVE PARTS FOR LZ-2284C-7 (3) (TABLE COMPONENTS/JT-Z710)



EXCLUSIVE PARTS FOR LZ-2284C-7 (3) (TABLE COMPONENTS/JT-Z710)

No.	Supply Code	Parts No.	Replacement	Parts name	Remarks	Choice	Step	Level	Cons	Qty	Rep. QTY
1		40005530		T-STAND ASM.						1	
2		14118152		UPPER STAND ASM. RIGHT				*		1	
3		B8101210AAB		UPPER STAND ASM.				*		1	
4		14118251		STAND ASM. RIGHT				*		1	
5		B8105210AAA		STAND ASM.				*		1	
6		11158516		UPPERSTANDPLATE				*		2	
7		D8308205K0A		STAND SIDE SUPPORT				*		1	
8		40005535		STAND SIDE SUPPORT				*		1	
9		40005536		PEDAL SUPPORT BASE				*		1	
10		40005538		STAND SUPPORT				*		1	
11		40005539		PEDAL SUPPORT BASE CAP				*		2	
12		11158607		RUBBER CAP				*		4	
13		B8112552000		LEG BOTTOM SUPPORT BRACKET				*		4	
14		B81085550A0		ADJUSTING SCREW ASM. WITH CAP				*		6	
15		G5514116000		WASHER D=30				*		4	
16		WP1302501SE		WASHER M12				*		6	
17		WS1253010KN		SPRING WASHER 12.5X21.5X3				*		6	
18		ST9053511SR		TAPPING SCREW M5X35				*		4	
19		WP0871602SE		WASHER 8.7X18X1.6				*		2	
20		NM6080001SE		NUT M8				*		2	
21		SL9082091SE		WASHER HEXAGONAL BOLT				*		18	
22		11158706		PEDAL ADJUSTING PLATE				*		1	
23		11158805		PEDAL				*		1	
24		11159001		PEDAL SHAFT BRACKET				*		2	
25		D8113555B00		PEDAL BUSHING				*		2	
26		D8115555B00		PEDAL SHAFT				*		1	
27		11158904		PEDAL MAT				*		1	
28		NM6080001SE		NUT M8				*		2	
29		SL9061291SE		WASHER HEXAGONAL BOLT M6 L=12				*		2	
30		WP0871602SE		WASHER 8.7X18X1.6				*		2	
31		SL9082091SE		WASHER HEXAGONAL BOLT				*		2	
32		ST9053511SR		TAPPING SCREW M5X35				*		4	

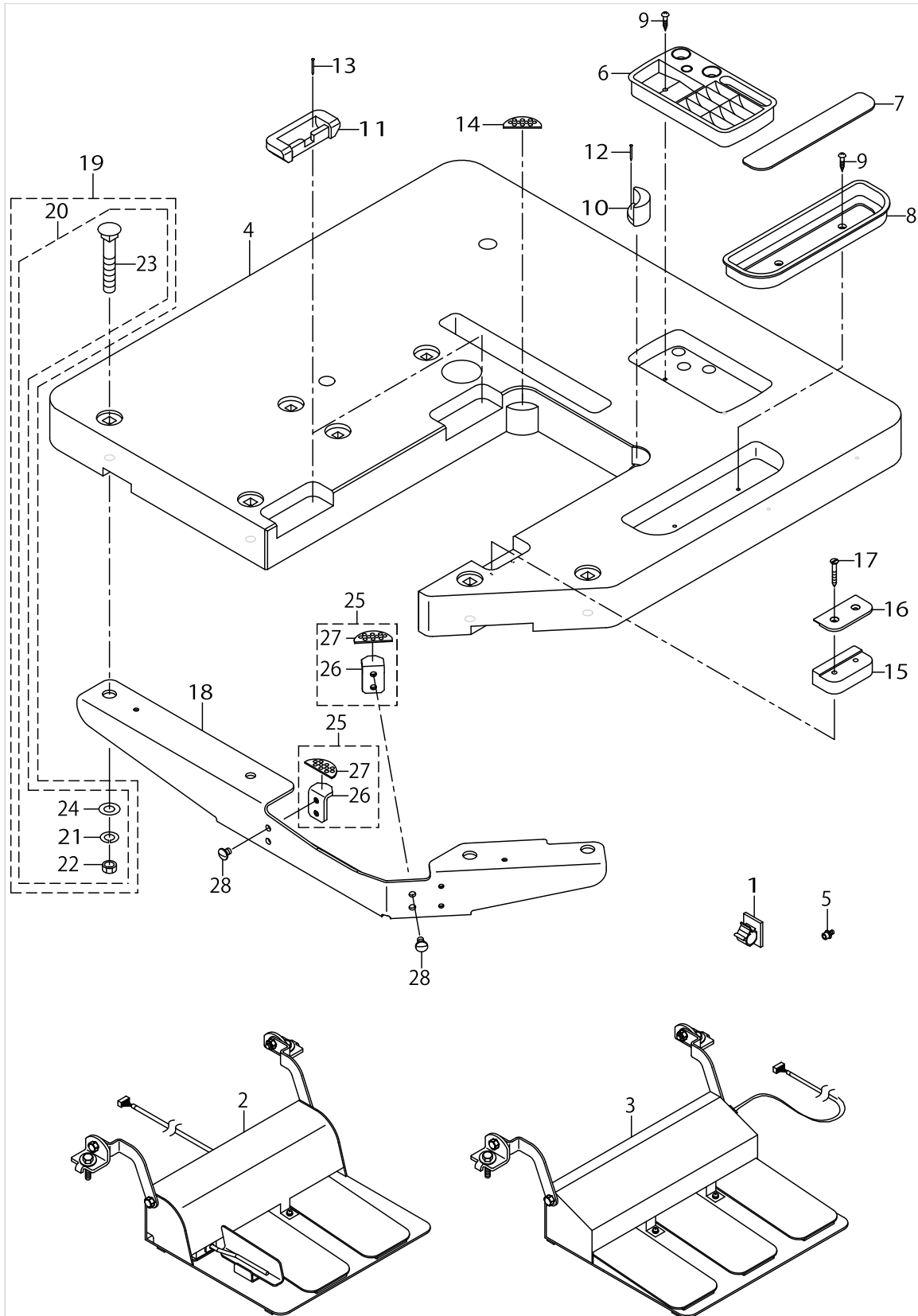
EXCLUSIVE PARTS FOR LZ-2284C-7 (4) (TABLE COMPONENTS/JT-Z71A,JT-Z71B)



EXCLUSIVE PARTS FOR LZ-2284C-7 (4) (TABLE COMPONENTS/JT-Z71A,JT-Z71B)

No.	Supply Code	Parts No.	Replacement	Parts name	Remarks	Choice	Step	Level	Cons	Qty	Rep. QTY
1		40005537		T-STAND ASM.						1	
2		14118152		UPPER STAND ASM. RIGHT				*		1	
3		B8101210AAB		UPPER STAND ASM.				*		1	
4		14118251		STAND ASM. RIGHT				*		1	
5		B8105210AAA		STAND ASM.				*		1	
6		11158516		UPPERSTANDPLATE				*		2	
7		D8308205K0A		STAND SIDE SUPPORT				*		1	
8		40005535		STAND SIDE SUPPORT				*		1	
9		40005536		PEDAL SUPPORT BASE				*		1	
10		40005538		STAND SUPPORT				*		1	
11		40005539		PEDAL SUPPORT BASE CAP				*		2	
12		11158607		RUBBER CAP				*		4	
13		B8112552000		LEG BOTTOM SUPPORT BRACKET				*		4	
14		B81085550A0		ADJUSTING SCREW ASM. WITH CAP				*		6	
15		G5514116000		WASHER D=30				*		4	
16		WP1302501SE		WASHER M12				*		6	
17		WS1253010KN		SPRING WASHER 12.5X21.5X3				*		6	
18		ST9053511SR		TAPPING SCREW M5X35				*		4	
19		WP0871602SE		WASHER 8.7X18X1.6				*		2	
20		NM6080001SE		NUT M8				*		2	
21		SL9082091SE		WASHER HEXAGONAL BOLT				*		18	
22		ST9053511SR		TAPPING SCREW M5X35				*		4	

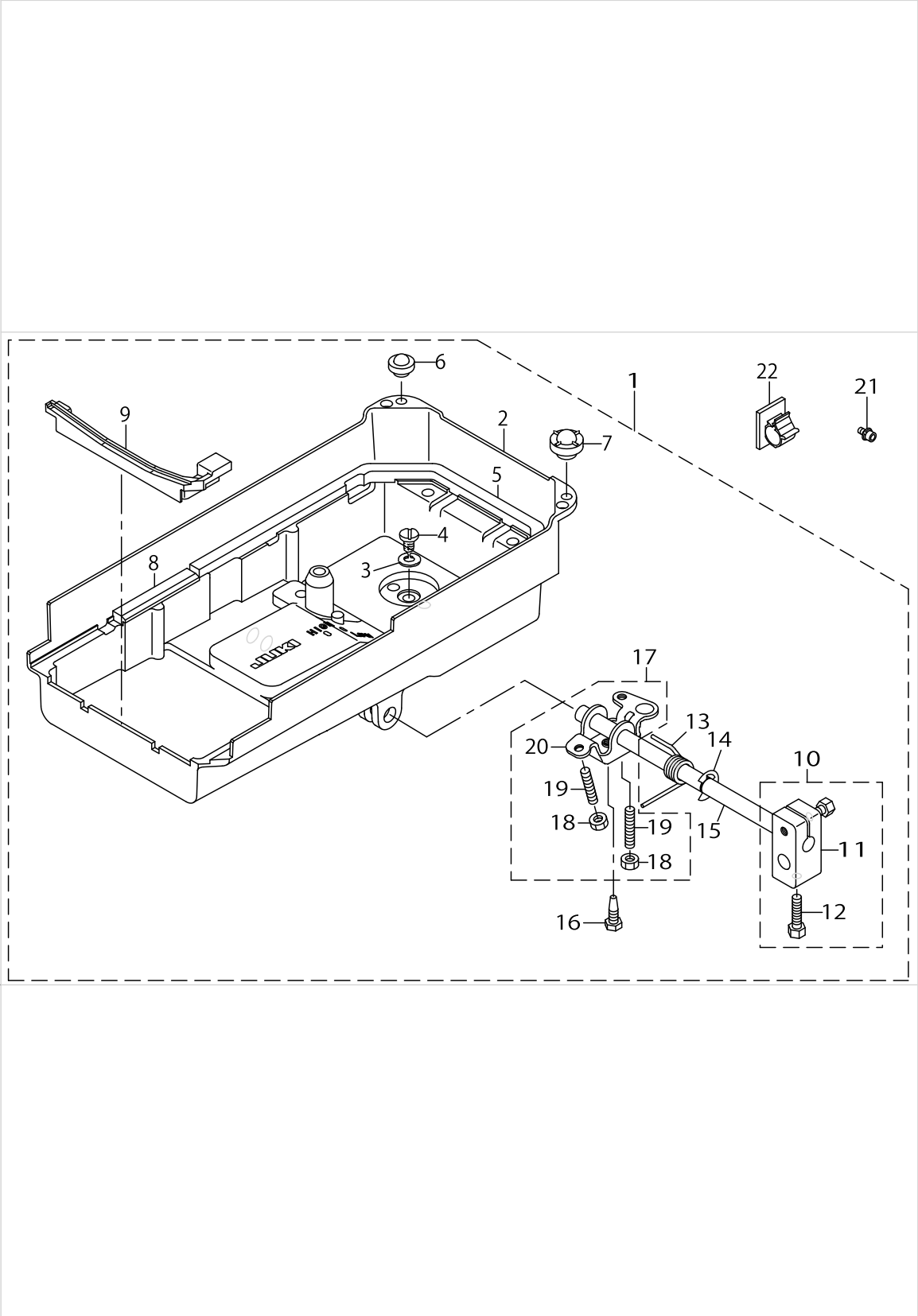
EXCLUSIVE PARTS FOR LZ-2284C-7 (5)



EXCLUSIVE PARTS FOR LZ-2284C-7 (5)

No.	Supply Code	Parts No.	Replacement	Parts name	Remarks	Choice	Step	Level	Cons	Qty	Rep. QTY
1		E9608603000		STICKER (MIDDLE)	AT THE TIME OF DELIVERY OF COMPLETE SET WITH TABLE STAND ONLY.					1	
2		GPK710010A0		2-PEDAL ASM. 71	FOR JT-Z71B					1	
3		GPK700010A0		3-JOINT PEDAL ASM. 70	FOR JT-Z71A					1	
4		40107537		TABLE						1	
5		SL6040892TN		BOLT	AT THE TIME OF DELIVERY OF COMPLETE SET WITH TABLE STAND ONLY.					8	
6		11155751		CASE ASM. B						1	
7		11155801		CASE MAGNET						1	
8		11156007		CASE						1	
9		SK3382001SE		SCREW D=3.8 L=20						4	
10		11076007		FRAME RUBBER CUSHION						1	
11		11075801		RUBBER SPACER						2	
12		B8210012000		CUSHION SET NAIL						2	
13		B8210012000		CUSHION SET NAIL						4	
14		D8226555E00		FRAME RUBBER CUSHION A						1	
15		GAW02560000		BED FIXING RUBBER						1	
16		GAW02561000		BED FIXING RUBBER PRESSER						1	
17		SK1413200SC		WOOD SCREW D=4.1 L=32						2	
18		40005532		TABLE SUPPORT						1	
19		13155064		REPUTATION PLATE BOLT ASM.						1	
20		13155056		BOLT SET A				*		4	
21		WS1002560KR		SPRING WASHER 10X18X2.5				*		4	
22		NS6240630SE		NUT 3/8-18				*		4	
23		13155007		HOLDING PLATE BOLT				*		4	
24		WP1002036SE		WASHER 10X21X2				*		4	
25		40005533		OIL RESERVOIR HOLDER ASM.						2	
26	R	40005534	40005533	OIL RESERVOIR HOLDER				*		2	1.00
27		D8226555E00		FRAME RUBBER CUSHION A				*		2	
28		SM0060801SA		SCREW						4	

EXCLUSIVE PARTS FOR LZ-2284C-7 (6) (ACCESSORIES PARTS COMPONENTS)



EXCLUSIVE PARTS FOR LZ-2284C-7 (6) (ACCESSORIES PARTS COMPONENTS)

No.	Supply Code	Parts No.	Replacement	Parts name	Remarks	Choice	Step	Level	Cons	Qty	Rep. QTY
1		40005520		OIL RESERVOIR ASM.						1	
2		40005521		OIL RESERVOIR				*		1	
3		RO098240100		RUBBER RING				*		1	
4		SM0081001SD		SCREW				*		1	
5		10038107		OIL RESERVOIR GASKET				*		1	
6		11047107		RUBBER CUSHION				*		1	
7		B1116210D00		FRAME SUPPORT RUBBER				*		1	
8		40005524		FRAME SUPPORT R- UBBER CUSHION B				*		1	
9		40005523		FRAME SUPPORT R- UBBER CUSHION A				*		1	
10		22932453		BRACKET ASM.				*		1	
11	R	22932404	22932453	BRACKET				*		1	1.00
12		22934707		SCREW				*		2	
13		22932206		SPRING				*		1	
14		RE1000000K0		E-RING 10				*		1	
15		22932305		KNEE PRESS CROSS SHAFT				*		1	
16		SM9061853SR		SCREW M6 L=17.5				*		1	
17		22932156		KNEE LIFTER ROTA- TION ARM ASM.				*		1	
18		NM6060001SE		NUT M6				*		2	
19		SM8063012TR		SCREW M6 L=30				*		2	
20	R	22932107	22932156	KNEE LIFTING ROTATING ARM				*		1	1.00
21		SL6040892TN		BOLT						8	
22		E9608603000		STICKER (MIDDLE)						1	

HOW TO MAKE USE OF THIS PARTS LIST

1.Explanation of codes

1)"*"mark.....means this part is changed from the previous parts book.

As to the details of the change, refer to the "List for information of change".

2)"#01".....refer to "Note" explanation at bottom of page.

2.Codes on the "Qty" column

• Each numeral indicates the number of parts required.

• "0.1" and "2.5" indicate the length (in meters) of the respective parts.

3.Parentheses mean that the corresponding part is a subpart that constructs an assembly part.

4.Dotted lines on the Figures indicate assembly parts.

5.As to the parts with marks of "☆"(consumable parts) and "◎"(optional parts)on the respective parts, it is recommended to prepare spares.

1 ."注記"欄の記号説明

1) "*"印.....前回のパーツブックに比較して今回変更された部品を意味します。

変更内容は、"変更情報リスト"を参照してください。

2) "#01".....ページ下の"注記"の説明を参照してください。

2.数量欄の数字は、個数を表し、0.1、2.5等の数値は、長さ（単位メートル）を表します。

3.数量欄の（ ）は、組部品を構成している子部品であることを意味します。

4.イラストページの-----枠は、組構成であることを意味します。

5.リストページの"☆"（消耗部品）、"◎"（オプション部品）の印がついた部品は、予備を準備しておくことをお奨めします。

NUMERICAL INDEX OF PARTS

PART NO	PAGE	REF NO.	PART NO	PAGE	REF NO.	PART NO	PAGE	REF NO.
1000206	2	15	10017168	58	37	10033108	90	46
10001709	2	17	10017168	82	41	10035004	34	12
10005668	4	53	10017408	16	14	10035111	34	11
10006005	4	55	10017408	84	48	10035301	34	8
10006104	4	52	10017606	16	15	10035509	64	61
10007854	4	56	10017606	58	43	10037109	34	16
10008506	10	14	10017606	84	49	10037307	6	31
10008753	10	16	10017705	16	45	10037406	6	12
10011005	14	25~ 28·45	10018000	16	11	10038107	54	3
10011104	14	25~ 28·45	10018000	58	39	10038107	102	5
10011203	14	25~ 28·45	10018000	82	43	10043412	56	5
10011302	14	25~ 28·45	10018109	16	12	10043461	64	58
10012201	14	30	10018109	58	40	10044014	56	13
10012417	14	31	10018109	82	44	10044014	58	12
10012516	14	32	10021103	22	53	10044105	56	14
10012607	14	12~15	10021103	82	11	10044105	58	13
10012706	14	12~15	10021202	20	48	10045060	66	11
10012805	14	12~15	10021202	22	48	10054112	58	23
10012904	14	12~15	10021202	66	17	10055051	82	6
10013019	12	61	10022010	20	17	10061554	58	2
10013118	12	62	10022606	20	28	10062701	62	17
10013407	12	67	10025906	76	32	10062800	62	18
10014009	14	25~ 28·45	10025906	88	28	10063204	62	19
10015105	16	44	10026201	26	10	10063303	62	20
10015360	16	13	10026706	26	26	10063402	62	21
10015360	58	41	10026763	26	24	10063501	62	22
10015360	82	45	10026904	26	37	10063600	62	23
10015907	16	30	10027100	26	44	10063808	62	30
10015907	82	22	10027407	28	48	10064004	62	31
10016210	16	6~9	10027506	28	47	10064103	62	32
10016210	58	32~35	10029304	28	57	10064202	62	33
10016210	82	36~39	10030401	32	62	10064301	62	34
10016319	16	6~9	10030609	32	47~50	10064400	62	35
10016319	58	32~35	10030708	32	47~50	10064608	62	36
10016319	82	36~39	10030807	32	47~50	10064905	62	37
10016418	16	6~9	10030906	32	47~50	10065001	62	38
10016418	58	32~35	10031003	32	58	10065209	64	63
10016418	82	36~39	10031615	30	19	10100410	94	9
10016517	16	6~9	10031714	30	20	10208601	46	4
10016517	58	32~35	10031805	6	21	10208700	46	10
10016517	82	36~39	10031904	6	22	10208858	46	8
10017168	16	10	10032001	6	23	10502300	8	32
			10033009	30	10	10565406	68	31
			10033009	90	51	10623601	36	59
			10033108	30	12	11008802	70	55

NUMERICAL INDEX OF PARTS

PART NO	PAGE	REF NO.	PART NO	PAGE	REF NO.	PART NO	PAGE	REF NO.
11015906	30	33	13171004	54	6	22510101	14	22
11030202	86	18	13521000	94	17	22510101	66	7
11041308	40	71	13705603	40	58	22510200	14	23
11041407	40	72	13729702	30	36	22510200	66	8
11043601	2	21	14118152	96	2	22512057	16	1
11044054	6	14	14118152	98	2	22512107	16	29
11047107	102	6	14118251	96	4	22512156	16	28
11071909	66	23	14118251	98	4	22512313	16	35
11072402	8	37	16194300	40	63	22512362	16	34
11072501	44	10	16965105	68	23	22512602	82	23
11075801	100	11	19800903	30	39	22519201	24	17
11076007	100	10	19801000	30	40	22519300	24	18
11079506	32	51	19801109	32	42	22519607	26	2
11093606	8	38	19801208	32	43	22519805	24	20
11101003	44	25	19801307	32	41	22519904	26	5
11101003	86	5	19801406	32	44	22520001	26	6
11102001	44	5	19801505	32	45	22520001	76	10
11102100	44	6	19801604	32	46	22524805	32	59-60
11102209	44	7	22501209	2	2	22525059	30	1~6
11102308	44	9	22501506	2	4	22525257	30	1~6
11102308	68	36	22501605	2	5	22525406	88	24
11102605	86	6	22501704	2	6	22525455	88	23
11155751	100	6	22501704	40	57	22525752	30	1~6
11155801	100	7	22501704	78	31	22525877	30	1~6
11156007	100	8	22502108	2	8	22525919	30	8
11158516	96	6	22502504	4	13-73	22525919	90	49
11158516	98	6	22502702	2	11	22525968	30	7
11158607	96	12	22503353	88	8	22526008	30	13
11158607	98	12	22503908	76	31	22526008	90	47
11158706	96	22	22503908	88	29	22526206	30	59-60
11158805	96	23	22504104	2	10	22526206	32	59-60
11158904	96	27	22505200	10	3	22526578	30	1~6
11159001	96	24	22505259	10	2	22526677	30	1~6
11162104	88	42-43	22505705	10	17	22527006	56	9~12
11214806	76	28	22506109	10	9-71	22527006	58	8~11
11234408	42	12	22506208	12	9-71	22527006	78	46~49
11234507	42	13	22507404	12	76	22527105	56	9~12
11384302	70	54	22507701	12	75	22527105	58	8~11
11387503	68	41	22507701	90	44	22527105	80	46~49
11960853	88	39	22507818	12	74	22527204	56	9~12
12308300	78	15	22508006	12	46	22527204	58	8~11
13155007	100	23	22509202	12	60	22527204	80	46~49
13155056	100	20	22509756	14	1	22527303	56	9~12
13155064	100	19	22510002	14	21	22527303	58	8~11
13170105	54	5	22510051	14	20	22527303	80	46~49

NUMERICAL INDEX OF PARTS

PART NO	PAGE	REF NO.	PART NO	PAGE	REF NO.	PART NO	PAGE	REF NO.
22528061	4	48-49	22546816	20	44	22556906	40	67
22528152	4	51	22546816	22	44	22557003	40	68
22528467	4	48-49	22546816	66	16	22557458	38	12
22528509	4	54	22547806	20	45	22557557	38	15
22528616	2	39	22547806	22	45	22557706	38	16
22529002	4	62	22547913	20	3	22557805	38	17
22529101	4	63	22547954	20	2	22557904	38	18
22529200	4	64	22547970	20	1	22558001	38	21
22529473	8	40	22548010	6	25-30	22558100	38	22
22529481	8	36	22548010	66	18	22558159	38	20
22531552	34	4	22548119	26	8-59-61	22558209	38	19
22534010	54	2	22548119	66	19	22558308	38	13
22534101	54	27	22548614	22	43	22558407	38	14
22535454	52	13	22548655	22	42	22558506	40	65
22535603	52	12	22548671	22	41	22559850	44	3
22535801	88	1	22548671	66	15	22559850	86	4
22535900	88	3	22548705	6	25-30	22559900	44	4
22536403	2	24	22548804	28	8-59-61	22561559	86	1
22536403	88	4	22548903	22	58	22561708	46	11
22536502	56	28	22548960	22	52	22561757	46	1
22536502	64	72	22550602	50	1	22561807	46	3
22536502	66	30	22552400	6	13	22561856	46	2
22536502	80	59	22552756	40	54	22561906	46	7
22536502	88	5	22552764	40	51	22561955	46	6
22538706	8	34	22552806	40	52	22562052	46	15
22538805	8	30	22552905	40	53	22562102	46	16
22538854	8	28	22554158	38	1	22562201	46	17
22540009	66	14	22554356	38	2	22564157	42	1
22540108	66	32	22554505	38	3	22564256	42	2
22540207	66	22	22554802	38	6	22564454	42	3
22540454	66	24	22554901	38	7	22564702	42	4
22540710	66	2	22555007	38	8	22564801	42	5
22540769	66	1	22555106	38	9	22564959	42	29
22541106	66	21	22555205	38	10	22565105	42	30
22542500	66	6	22555304	38	11	22565204	42	6
22542559	66	5	22555403	88	21	22565303	42	7
22542708	4	25-67	22555551	40	66	22565501	42	9
22544159	44	2	22555858	38	30	22565659	42	10
22544159	86	3	22556054	88	11	22565857	42	11
22545107	28	8-59-61	22556153	88	20	22566152	42	31
22545206	22	57	22556302	88	12	22566301	42	36
22545206	82	9	22556450	88	13	22568356	82	17
22545404	22	54	22556609	88	14	22573208	82	19
22545404	56	31	22556708	88	15	22573257	82	18
22545404	82	12	22556807	88	16	22573505	84	51

NUMERICAL INDEX OF PARTS

PART NO	PAGE	REF NO.	PART NO	PAGE	REF NO.	PART NO	PAGE	REF NO.
22580302	66	12	22904155	10	32	22952501	24	24
22580302	82	7	22907109	20	22	22955504	46	23
22580369	66	10	22907406	20	21·34	22955900	46	19
22580864	82	5	22907406	92	35	22956007	46	20
22581508	56	27	22907505	20	19	22956205	46	21
22581508	76	30	22907554	20	18	22956304	46	22
22581508	80	52	22907604	20	20	22957104	46	24
22582407	56	1	22907703	22	59	22957203	46	25
22582407	66	13	22907802	20	23	22958300	2	13·73
22582407	76	15	22908305	20	13	22963409	92	21
22582407	80	51	22908909	20	12	23500978	2	3
22584908	82	10	22912000	24	26	23501307	76	7
22584965	82	8	22912109	24	27	23501356	76	4
22585400	56	2	22913008	12	64	23501406	76	5
22585509	58	5	22913156	76	21	23501513	76	27
22585657	78	44	22913206	76	24	23501604	76	19
22585707	56	7	22916506	30	32	23501703	76	18
22585707	58	7	22917058	34	40	23501802	76	17
22585806	56	4	22924906	34	20	23501901	76	13
22585855	56	3	22932008	54	4	23502008	76	1
22585855	58	6	22932107	54	15	23502107	76	2
22586200	58	46	22932107	102	20	23502651	54	1
22586226	56	24	22932156	54	14	23502958	90	53·54
22586226	82	3	22932156	102	17	23503006	90	60·61
22586275	56	23	22932206	54	8	23503154	76	34
22586705	88	2	22932206	102	13	23503162	76	35
22590061	58	45	22932305	54	7	23503303	32	64
22590301	62	26	22932305	102	15	23503402	30	21
22590400	62	28	22932404	54	12	23503501	30	9
22590509	62	29	22932404	102	11	23503501	90	50
22590806	64	60	22932453	54	11	23503659	90	53·54
22590855	64	59	22932453	102	10	23503709	90	58
22591101	62	15	22934202	54	21	23503808	90	59
22591408	62	5	22934251	54	20	23503907	90	60·61
22591564	62	1	22934301	54	25	23504004	90	62
22591663	62	14	22934400	54	24	23504103	90	55
22592505	58	1	22934509	54	22	23504301	90	56
22592604	58	25	22934608	54	23	23504400	90	57
22592653	58	22	22934707	54	13	23504657	90	63
22592802	60	47	22934707	102	12	23505605	72	2
22593107	64	70	22937155	10	36	23505654	72	1
22596704	32	56	22937254	10	35	23505829	68	5
22900401	2	18	22937965	10	40	23505910	72	6
22901300	6	9	22947006	2	20	23506009	68	13
22901805	6	28	22948558	40	70	23506108	68	9

NUMERICAL INDEX OF PARTS

PART NO	PAGE	REF NO.	PART NO	PAGE	REF NO.	PART NO	PAGE	REF NO.
23506314	68	11	23513401	68	7	26303107	26	12
23506405	68	15	23516206	2	25・67	26303107	76	12
23506504	68	28	23518822	78	35	26303206	26	43
23506603	68	17	23519804	80	55	26303404	28	46
23506702	68	21	23521057	82	24	26303503	28	49
23506801	68	24	23521107	82	29	26303602	24	14
23507056	68	30	23521255	82	2	26303701	28	51
23507155	68	32	23521263	82	1	26303800	30	38
23507262	68	34	23521305	84	53	26303909	32	57
23507551	68	40	23521404	82	15	26304006	32	61
23507700	68	43	23522550	88	9	26304303	30	18
23507809	68	45	23523004	88	10	26304402	10	18
23507908	70	47	23523152	90	45	26304501	34	19
23508005	70	49	23523202	90	52	26304758	2	1
23508104	70	51	23537202	32	65	26304907	6	1
23508203	70	53	23542418	40	69	26305102	2	7
23508252	68	29	23547557	4	50	26305300	2	9
23508302	70	57	26226407	24	23	26305409	2	14
23508450	70	59	26260406	8	5	26305516	10	6
23508500	70	61	26260505	8	6	26305904	12	65
23508609	70	65	26260802	8	9	26306001	12	66
23508757	70	66	26261206	8	13	26306506	16	2
23508906	68	3	26261305	8	14	26306704	16	41
23509003	68	1	26261602	8	16	26306803	16	33
23509169	72	3	26261701	8	17	26306951	16	36
23509466	72	4	26300103	6	7	26306951	56	25
23509706	72	8	26300202	10	13	26306951	66	3
23510050	72	9	26300301	10	15	26307108	16	39
23510159	72	10	26300400	12	47	26307157	16	38
23510308	72	12	26300509	26	36	26307207	16	40
23510407	72	15	26300608	14	29	26307306	16	3
23510506	72	16	26300913	12	59	26307306	58	27
23512015	72	28	26300962	12	58	26307306	82	31
23512106	72	34	26301002	14	33~36	26307405	14	3~6
23512155	72	33	26301101	14	33~36	26307504	14	3~6
23512163	72	32	26301200	14	33~36	26307603	14	3~6
23512205	72	35	26301309	14	33~36	26307702	14	3~6
23512304	72	38	26301408	12	68	26307850	20	9
23512569	72	29	26301507	16	5	26308007	20	10
23512601	72	30	26301507	58	26	26308205	24	3
23512817	70	70	26301507	82	30	26308353	24	4
23512908	74	64	26302000	24	16	26308403	24	5
23513062	74	65	26302307	14	11	26308809	72	26
23513161	74	66	26302703	16	4	26309005	24	10
23513302	70	71	26302901	22	51	26309104	26	1

NUMERICAL INDEX OF PARTS

PART NO	PAGE	REF NO.	PART NO	PAGE	REF NO.	PART NO	PAGE	REF NO.
26309351	26	7	40005488	92	6	40020337	34	41
26309609	32	52	40005489	92	7	40020338	36	45
26309708	32	53	40005490	92	8	40020341	36	51
26311902	34	5	40005491	92	9	40020342	34	42
26312405	24	2	40005492	92	29	40020343	34	43
26312405	78	33	40005493	92	10	40020344	34	44
26312504	2	40	40005494	92	11	40020345	36	46
26312702	78	10	40005496	94	33	40020346	36	47
26312751	78	1	40005497	94	34	40021933	8	12
26312801	78	13	40005498	94	35	40023289	70	52
26312900	78	9	40005499	94	36	40026730	8	7
26313007	78	2~5	40005500	94	37	40026745	8	24
26313106	78	2~5	40005503	94	20	40028555	6	4
26313205	78	2~5	40005504	94	21	40031418	26	3
26313304	78	2~5	40005505	92	4	40031628	8	3
26313403	78	8	40005506	94	25	40031629	8	10
26313502	78	6	40005507	94	3	40031630	8	11
26313700	80	57	40005508	94	2	40031631	8	27
26314104	78	24	40005515	94	32	40031633	8	8
26314401	78	43	40005516	92	30	40032138	8	4
26314500	26	34	40005517	92	28	40032271	28	53
26314708	6	10	40005520	102	1	40034904	8	2
26314757	6	8	40005521	102	2	40034919	8	26
26314906	26	32	40005523	102	9	40034920	8	1
26315150	34	1	40005524	102	8	40035544	34	3
26315200	34	2	40005530	96	1	40035702	26	9
26315408	34	10	40005532	100	18	40040372	10	10
26319004	82	25	40005533	100	25	40043050	30	16
26319400	52	1	40005534	100	26	40043051	30	17
26319509	52	3	40005535	96	8	40043054	94	18
26319558	52	2	40005535	98	8	40043055	94	19
26319608	52	4	40005536	96	9	40043720	8	25
26319806	52	5	40005536	98	9	40043912	28	50
29141900	86	17	40005537	98	1	40044872	10	7
40003598	30	35	40005538	96	10	40050457	28	52
40003599	30	37	40005538	98	10	40050700	4	65
40005477	94	7	40005539	96	11	40055832	26	11
40005478	94	8	40005539	98	11	40056375	14	7
40005480	94	11	40009373	34	21	40056376	14	8
40005481	94	12	40010276	66	25	40056754	24	1
40005482	94	14	40010295	38	5	40056873	10	44
40005483	94	15	40010305	32	54	40057195	24	6
40005484	92	1	40010319	28	45	40057196	24	8
40005485	92	2	40012129	2	19	40057197	24	7
40005487	92	5	40015494	12	77	40057198	24	11

NUMERICAL INDEX OF PARTS

PART NO	PAGE	REF NO.	PART NO	PAGE	REF NO.	PART NO	PAGE	REF NO.
40057199	24	9	40097877	74	68	B1609804D00	26	38~42
40057280	72	5	40101337	52	11	B1609804E00	26	38~42
40064313	78	36~42	40101350	10	25	B1637560000	78	17
40064314	78	36~42	40101683	10	23	B1646555000	28	54
40064315	78	36~42	40106079	38	4	B1810552000	10	19
40064316	78	36~42	40106079	94	4	B1905541A00	12	48~51
40064317	78	36~42	40106936	46	18	B1905541B00	12	48~51
40064319	78	36~42	40107537	100	4	B1905541C00	12	48~51
40064320	78	36~42	40108060	44	1	B1905541D00	12	48~51
40065490	14	2	40108060	86	2	B2024771000	42	17
40069741	36	56	40108948	10	34	B2034372000	42	16
40069742	36	55	40108949	10	33	B250228000A	62	39~42
40070259	34	35	40108980	6	3	B250228000B	62	39~42
40070260	34	39	40108981	6	2	B250228000C	62	39~42
40070261	34	6	40109123	32	66	B250228000D	62	39~42
40070262	34	37	40109125	12	78	B2502280B0A	56	15~19
40070531	22	49	40109128	10	1	B2502280B0A	58	14~18
40070532	10	43	40116710	42	8	B2502280B0B	56	15~19
40073481	80	53	A321600100A	8	15	B2502280B0B	58	14~18
40078331	78	19	B1116210D00	102	7	B2502280B0C	56	15~19
40078332	78	30	B1203227000A	10	11	B2502280B0C	58	14~18
40078333	78	26	B1208552000A	10	12	B2502280B0D	56	15~19
40078334	78	27	B1213372000	44	17	B2502280B0D	58	14~18
40078335	78	20	B1213372000	86	7	B2502280B0E	56	15~19
40078336	78	25	B1214038000	34	14	B2502280B0E	58	14~18
40082351	10	42	B13071550A0	30	34	B2508704000	24	25
40083221	78	34	B13081550A0	32	55	B2560372000	42	14
40085784	48	2	B1430761000	84	52	B2561205000A	92	25
40085785	48	3	B150522700A	88	42·43	B25792290A0	70	74
40085786	48	4	B1505227T00A	20	21·34	B2608761000	16	16
40085787	48	5	B1516552000	20	11	B2608761000	84	47
40085788	48	6	B1517552000	20	26	B2626372000	42	15
40085789	48	7	B1521555000	20	24	B3116125000	4	59
40085790	48	8	B1523226000	20	27	B3120125000	4	61
40085791	48	9	B1525582000	20	55	B3121352000	4	57·58
40085792	48	10	B1525582000	22	55	B3129012A00	4	57·58
40085793	48	11	B1525582000	82	13	B3208280000	72	11
40085794	48	12	B1536804000	92	27	B3214047000	8	39
40085795	48	13	B1551586000	88	6	B3414555000	20	14
40085796	48	16	B1604141H00	26	33	B3416552000	20	16
40096325	48	14	B1608555000	66	27	B3416555000	20	15
40096326	48	17	B16085550A0	66	26	B3421555000	54	28
40096327	48	19	B1609804A00	26	38~42	B3431581000	20	25
40096354	48	1	B1609804B00	26	38~42	B3523980000	94	6
40097876	74	67	B1609804C00	26	38~42	B3524552000	34	13

NUMERICAL INDEX OF PARTS

PART NO	PAGE	REF NO.	PART NO	PAGE	REF NO.	PART NO	PAGE	REF NO.
B3525357000	94	28	CS1111010SH	26	21	HC036413320	74	48~59
B3527552000	64	62	CS1111010SH	94	41	HC055711040	74	48~59
B3534012000	94	29	CS1111019SH	26	22	HF0041020P0	74	48~59
B3534155000	34	15	CS1111019SH	94	42	HF0041050S0	74	48~59
B3536122000	94	30	CS1470710SH	76	25	HF0078016P0	74	46
B3538112000	34	17	D1501583H00	88	40	HG005640000	74	48~59
B3538112000	68	38	D1502583H00	88	41	HK00443002A	40	50
B3538112000	72	13	D2056772B0B	38	29	HK01650004A	74	48~59
B3541012000	92	20	D2107490D00	46	9	HK034610140	40	61
B3554481000	64	64	D2112555B00	4	45	HK03464000B	44	11
B4011210000	68	35	D2467555B00	40	62	HL003880000	74	48~59
B8101210AAB	96	3	D2467555B00	86	8	HL017120000	74	48~59
B8101210AAB	98	3	D2468555B00	24	21	HR022301010	74	48~59
B8105210AAA	96	5	D2468555B00	44	16	HT002310000	74	48~59
B8105210AAA	98	5	D2468555B00	86	9	HW500070000	44	12
B81085550A0	96	14	D2515232D00	24	22	HX00123000A	42	37
B81085550A0	98	14	D3162555B00	8	42	M2001429AA0	74	60~62
B8112552000	96	13	D7117555BA0	72	14	M2001429BA0	74	60~62
B8112552000	98	13	D8113555B00	96	25	M2001429CA0	74	60~62
B8131019000	88	38	D8115555B00	96	26	M8501429AA0	74	63
B8133019000	88	37	D8226555E00	100	27	M8502429AA0	74	43
B8210012000	100	13	D8308205K0A	96	7	M8503429AA0	74	44
B8226WP1000	92	13	D8308205K0A	98	7	M8504429AA0A	74	42
B8228125000	54	19	E9608603000	100	1	M8505429AA0	74	45
B9101490000	88	22	E9608603000	102	22	M8601429AA0A	74	47
B9113012000	62	27	EA9500B0100	36	53	MAB109000A0	56	30
BT0500300EA	34	58	EA9500B0100	38	31	MAB109000B0	56	29
BT0500300EA	36	58	EA9500B0100	94	5	MAM097000A0	60	52
CM300200001	4	46	EA9502B0200	4	44	MAM09700BA0	60	53
CM300200002	6	29	G5514116000	96	15	MAO11602N00	72	17
CM301300001	6	27	G5514116000	98	15	MAT80117S00	88	36
CM600100101	6	20	GAK33041000	20	29	MC192300750	12	52·72·73
CQ202000000	12	70	GAK33042000	20	30	MC1923F0800	58	4
CQ202000000	34	54	GAW02560000	100	15	MC2005F0700	12	52·72·73
CQ202000000	36	54	GAW02561000	100	16	MDP500B1000	12	52·72·73
CQ303000000	64	69	GPK700010A0	100	3	NM60300000E	36	50
CQ500600000	64	68	GPK710010A0	100	2	NM6030001SB	38	35
CS0640863SH	42	28	GPR01015000	2	36	NM6030001SC	40	55
CS0800911TH	68	19	GRF010000B0	88	30	NM6040001SN	40	56
CS095101BSH	40	49	GRF01001000	88	31	NM6040003SC	92	12
CS1031210SH	14	40	HA00044000A	70	67	NM6050001SE	48	24
CS1031210SH	24	32	HA001900000	44	8	NM6060001CP	6	5
CS1031210SH	62	52	HA00600000A	46	27	NM6060001SE	54	18
CS1031210SH	64	52	HC018201020	74	48~59	NM6060001SE	64	50
CS103121BSH	14	41	HC018204700	74	48~59	NM6060001SE	72	19

NUMERICAL INDEX OF PARTS

PART NO	PAGE	REF NO.	PART NO	PAGE	REF NO.	PART NO	PAGE	REF NO.
NM6060001SE	102	18	RE0320000K0	46	12	SD0640231SP	68	44
NM6080001SE	96	28	RE0400000K0	8	19	SD0640241SP	42	21
NM6080001SE	98	20	RE0400000K0	16	25	SD0640751SP	2	29
NM6080721SE	72	18	RE0400000K0	38	45	SD0640851SP	68	46
NP210300000	38	25	RE0400000K0	44	19	SD0650321TP	46	31
NS6080340SP	42	24	RE0400000K0	58	42	SD0791331SP	72	36
NS6090310SP	70	64	RE0400000K0	78	22	SD0791501SP	94	1
NS6110310SP	8	41	RE0400000K0	82	46	SD0791503SP	38	41
NS6110310SP	36	60	RE0400000K0	86	11	SD0791503SP	44	22
NS6110310SP	46	34	RE0500000K0	20	31	SD0791503SP	86	13
NS6110310SP	92	26	RE0500000K0	38	40	SD0800402TP	16	27
NS6110360SP	72	22	RE0600000K0	20	38	SD0800402TP	82	26
NS6110420SP	88	35	RE0600000K0	38	43	SD0900701TP	28	62
NS6120310SP	24	13	RE0900000K0	42	19	SE4301031SR	36	52
NS6120310SP	26	14	RE1000000K0	54	10	SK1413200SC	100	17
NS6150310SP	16	23	RE1000000K0	102	14	SK3382001SE	100	9
NS6150310SP	34	31	RE1200000K0	44	20	SK3412001SE	52	9
NS6150310SP	38	42	RE1200000K0	86	12	SL4030631SC	46	28
NS6150310SP	44	23	RO029180100	10	20	SL4030881SF	42	32
NS6150310SP	58	36	RO029180100	36	63	SL4031691SC	72	20
NS6150310SP	82	40	RO029180100	78	23	SL4032591SC	70	68
NS6150310SP	86	10	RO036080200	32	63	SL4040681SC	92	17
NS6150430SP	38	38	RO037180100	20	35	SL4040881SC	38	36
NS6150430SP	64	48	RO048190100	10	28	SL4051001MZ	10	41
NS6240630SE	100	22	RO069180100	14	39	SL6040892TN	100	5
NS6620310SP	20	37	RO074240100	24	29	SL6040892TN	102	21
NS6680320SP	66	29	RO098240100	102	3	SL9061291SE	96	29
NS6680410SP	26	27	RO110090100	94	22	SL9082091SE	96	31
NS6700420SP	94	10	RO195240100	2	42	SL9082091SE	98	21
PH0300085S0	78	28	RO437200200	10	27	SM0060801SA	100	28
PS0300182KF	40	64	SB109530100	30	27	SM0081001SD	102	4
PS0400252KP	12	63	SB117000100	76	6	SM4030411SB	68	39
RC0100001KP	14	19	SB120000100	10	4	SM4030411SB	72	21
RC0100001KP	16	22	SD0460182SP	92	31	SM4030601SN	46	32
RC0100001KP	58	31	SD0481451SP	42	23	SM4031001SC	36	48
RC0100001KP	78	18	SD0500251SP	70	63	SM4031501SC	44	15
RC0100001KP	82	35	SD0500481TP	46	29	SM4040655SP	44	13
RC0330415KP	76	29	SD0550212TP	92	23	SM4040855SP	70	62
RE0200000K0	16	24	SD0600271SP	46	33	SM4051405SE	48	23
RE0200000K0	58	38	SD0600291TP	38	34	SM5040655SN	8	21
RE0200000K0	82	42	SD0600321SP	24	12	SM5040655SN	92	14
RE0200000K0	92	22	SD0600321SP	26	13	SM6030602TP	88	25
RE0300000K0	26	20	SD0601051SP	64	45	SM6040802TP	68	26
RE0300000K0	42	20	SD0630275SP	20	36	SM6041002TP	68	56
RE0300000K0	76	9	SD0630301SP	20	32	SM6041002TP	70	56

NUMERICAL INDEX OF PARTS

PART NO	PAGE	REF NO.	PART NO	PAGE	REF NO.	PART NO	PAGE	REF NO.
SM6050802TN	68	4	SS2110920TP	38	46	SS4121415SP	2	26
SM6051200TP	94	39	SS2110920TP	66	9	SS4150915SP	38	32
SM6051202TP	68	27	SS2110920TP	92	33	SS4150915SP	44	18
SM6051402TP	70	69	SS2111010TP	40	47	SS4150915SP	86	15
SM6051402TP	78	12	SS3090520SP	46	14	SS4151215SP	52	10
SM6061010TP	42	26	SS4060310SP	72	31	SS5090610SP	68	14
SM8030412TP	8	18	SS4080320TP	68	10	SS5110710SP	26	30
SM8040412TP	8	23	SS4080620TP	26	35	SS5110710SP	60	54
SM8040502TP	68	42	SS4080620TP	30	30	SS5110740TP	68	2
SM8040502TP	82	16	SS4110515SP	34	32	SS6060210SP	6	11
SM8040510TP	94	40	SS4110515SP	40	60	SS6080320SP	16	37
SM8040802TP	44	14	SS4110615SP	6	18	SS6080320SP	56	26
SM8050412TP	78	14	SS4110615SP	12	54	SS6080320SP	60	48
SM8050500SP	94	26	SS4110615SP	34	62	SS6080320SP	66	4
SM8050502TP	8	22	SS4110615SP	36	62	SS6080320SP	82	4
SM8050610TP	94	38	SS4110715SP	34	23	SS6090420SP	88	18
SM8050612TP	76	16	SS4110715SP	72	40	SS6090520SP	16	26
SM8050612TP	78	11	SS4110815SP	68	48	SS6090520SP	58	44
SM8050812TP	14	17	SS4110815SP	70	48	SS6090520SP	84	50
SM8050812TP	68	37	SS4110915SP	2	71	SS6090540SP	4	68
SM8060602TP	94	24	SS4110915SP	4	71	SS6090540SP	42	33
SM8063012TR	54	17	SS4110915SP	6	26	SS6090620SP	8	33
SM8063012TR	102	19	SS4110915SP	12	56	SS6090620SP	16	19
SM9061003SC	72	23	SS4110915SP	30	31	SS6090620SP	58	28
SM9061203SE	54	26	SS4110915SP	38	39	SS6090620SP	82	32
SM9061853SR	54	9	SS4110915SP	52	7	SS6090810SP	20	56
SM9061853SR	102	16	SS4110915SP	64	65	SS6090810SP	22	56
SM9081423SE	72	24	SS4110915SP	94	13	SS6090810SP	82	14
SQ0000401MZ	94	27	SS4111015SP	6	15	SS6110510SP	60	50
SQ1110402MZ	34	34	SS4111415SP	34	18	SS6110610TP	92	15
SQ1150451MZ	6	6	SS4120615SP	2	35	SS6110810TP	80	50
SQ2060451MZ	34	36	SS4120615SP	24	34	SS6110820TP	76	8
SS1080510SP	68	8	SS4120615SP	40	59	SS6111010SP	60	49
SS1080620SP	94	23	SS4120615SP	42	25	SS6111052TP	26	31
SS1090510SP	38	27	SS4120615SP	44	24	SS6111052TP	78	32
SS1090510SP	88	17	SS4120615SP	46	35	SS6111140SP	26	58
SS1090930SP	10	31	SS4120615SP	64	71	SS6111140SP	28	58
SS1110640TP	92	16	SS4120615SP	86	14	SS6111140SP	34	25
SS1110821TP	2	12	SS4120915SP	2	41	SS6111210SP	10	38
SS1110840SP	2	27	SS4120915SP	16	46	SS6120940SP	92	3
SS1110840SP	94	16	SS4120915SP	26	17	SS6121030SN	8	35
SS2090710SP	2	33	SS4120915SP	42	39	SS6121210SP	64	67
SS2090810SP	6	17	SS4121015SP	4	47	SS6121610TP	24	15
SS2090840SP	68	6	SS4121015SP	42	38	SS6121610TP	26	28
SS2110920TP	14	24	SS4121015SP	70	72	SS6121610TP	66	28

NUMERICAL INDEX OF PARTS

PART NO	PAGE	REF NO.	PART NO	PAGE	REF NO.	PART NO	PAGE	REF NO.
SS6121840SP	24	28	SS7121410TP	24	33	SS8660810TP	58	20
SS6121860SP	24	35	SS7121410TP	26	55	SS8660970TP	14	38
SS6122030SP	68	16	SS7121410TP	28	55	SS8660970TP	56	22
SS6580752TP	4	69	SS7121410TP	76	26	SS8660970TP	58	21
SS6580752TP	26	16	SS7151120SP	10	22	SS9090610TP	14	18
SS6580752TP	62	16	SS7620750SP	18	48	SS9090610TP	42	34
SS6580752TP	76	14	SS7620750SP	24	30	SS9110620TP	42	35
SS6660710TP	26	23	SS7681650TP	10	26	SS9111010SP	72	39
SS6660710TP	30	24	SS8080410TP	62	24	SS9111013SP	72	27
SS6660710TP	40	48	SS8090670SP	4	60	SS9111510SP	88	32
SS6660710TP	94	43	SS8110422TP	30	14·15	SS9120910TP	70	73
SS7060310SP	12	57	SS8110422TP	56	8	SS9661120CP	64	54
SS7060310SP	38	24	SS8110422TP	60	56	ST9053511SR	96	32
SS7080410SP	2	28	SS8110422TP	90	48	ST9053511SR	98	
SS7080520SP	12	53	SS8110510SP	34	9	TA0800504R0	2	22
SS7090410SP	4	43	SS8110520TP	30	14·15	TA0950806R0	6	19
SS7090410SP	16	42	SS8110520TP	92	34	TA1050504R0	2	23
SS7090410SP	82	20	SS8110750SP	4	66	TA1100604R0	2	38
SS7090610SP	16	31	SS8111010TP	62	25	TA1100604R0	78	16
SS7090610SP	38	44	SS8120740SP	12	69	TA1250705R0	2	72
SS7090710SP	88	19	SS8150510TP	20	40	TA1250705R0	4	72
SS7090910SP	88	7	SS8150510TP	26	19	TA1250804R0	92	37
SS7090910TP	10	45	SS8150710SP	14	42	TA1450302R0	92	19
SS7090910TP	18	47	SS8150710SP	28	60	TA1470702R0	80	56
SS7090910TP	20	33	SS8150710SP	30	25	TA1871602R0	58	3
SS7090910TP	78	29	SS8150710SP	34	22	TA2101002R0	92	36
SS7110540SP	42	27	SS8150710SP	76	3	TA2200502R0	80	54
SS7110710SP	94	31	SS8150822TP	30	26	WP0220300SC	62	13
SS7110740TP	76	20	SS8151150SP	10	21	WP0320500SC	88	27
SS7110840SP	8	31	SS8151550SP	10	37	WP03305000E	4	70
SS7110840SP	50	2	SS8151720SP	20	39	WP0330501SB	72	25
SS7110910TP	26	29	SS8660340SP	68	20	WP0360516SD	92	32
SS7110910TP	58	24	SS8660410SP	14	43	WP0371016SD	16	43
SS7111110TP	22	50	SS8660530TP	34	27	WP0371016SD	46	13
SS7111110TP	62	11	SS8660610TP	8	29	WP0371016SD	82	21
SS7111120SP	56	6	SS8660610TP	10	30	WP0371036SD	18	52
SS7111120TP	94	44	SS8660610TP	14	37	WP0430801SC	92	18
SS7111410SP	56	32	SS8660610TP	56	20	WP0450801SD	10	39
SS7111410SP	60	55	SS8660610TP	58	19	WP0450801SD	50	3
SS7111410SP	64	51	SS8660610TP	64	57	WP0450801SD	52	6
SS7111410TP	66	31	SS8660610TP	78	45	WP0450826SC	8	20
SS7111410TP	80	58	SS8660810TP	14	44	WP0450826SC	52	8
SS7120710SP	72	7	SS8660810TP	26	25	WP0450846SP	28	56
SS7120910TP	50	5	SS8660810TP	30	29	WP0450846SP	36	61
SS7121410TP	14	9	SS8660810TP	56	21	WP0450846SP	92	24

NUMERICAL INDEX OF PARTS

PART NO	PAGE	REF NO.	PART NO	PAGE	REF NO.
WP0480856SP	60	51	WZ1052010KP	18	50
WP0480856SP	66	20	WZ1052010KP	58	30
WP0480856SP	76	22	WZ1052010KP	82	34
WP0500916SD	76	33			
WP0501016SD	64	66			
WP0501016SD	88	33			
WP0510516SD	14	10			
WP0510516SD	72	41			
WP0531001SC	48	22			
WP0531001SC	50	6			
WP0612066SP	64	47			
WP0621016SD	34	38			
WP0621016SH	38	37			
WP0621016SH	64	49			
WP0621046SP	42	18			
WP0651056SD	2	31			
WP0820526SD	68	22			
WP0871602SE	96	30			
WP0871602SE	98	19			
WP1002036SE	100	24			
WP1020616SD	16	51			
WP1020616SD	18	51			
WP1020616SD	58	29			
WP1020616SD	82	33			
WP1021016SD	18	49			
WP1302501SE	96	16			
WP1302501SE	98	16			
WP1602616SZ	44	21			
WP1602616SZ	86	16			
WP1612616SE	48	15			
WS0270002KN	38	28			
WS0310002KR	46	26			
WS0310702KS	88	26			
WS0441040KP	88	34			
WS0510002KN	48	21			
WS1002560KR	100	21			
WS1253010KN	96	17			
WS1253010KN	98	17			
WT0320002KZ	36	49			
WT0530002KS	50	4			
WZ0641510KP	2	30			
WZ0850302K0	16	17			
WZ0850302K0	72	37			
WZ0850302K0	82	27			
WZ1052010KP	16	50			