

MODEL : AK-85A

List No : 1588-00

# PARTS LIST

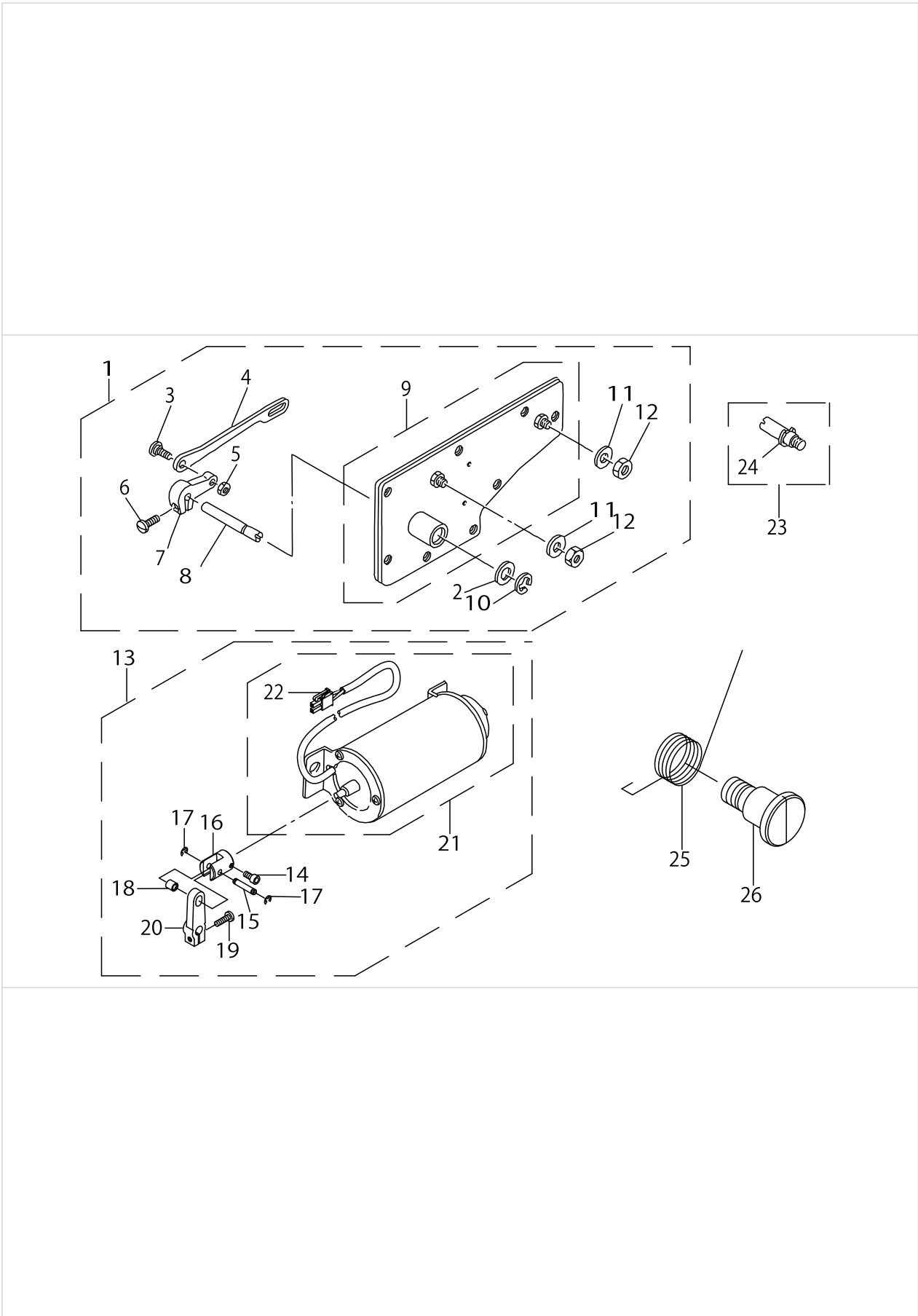
Published:05/12/2017

## CONTENTS

---

COMPONENTS .....	1
HOW TO MAKE USE OF THIS PARTS LIST .....	3

COMPONENTS



COMPONENTS

No.	Supply Code	Parts No.	Replacement	Parts name	Remarks	Choice	Step	Level	Cons	Qty	Rep. QTY
1		40117117		WINDOW PLATE ASM. B						1	
2		WP1021016SD		WASHER				*		1	
3		SD0800352SP		SHOULDER SCREW D=8 H=3.5				*		1	
4		22991301		SOLENOID LINK				*		1	
5		NS6150310SP		HEXAGONAL NUT 15/64-28				*		1	
6		SS7121410TP		SCREW 3/16-28 L=14				*		1	
7		GAK33027000		SOLENOID ARM B				*		1	
8		22991400		SOLENOID SHAFT				*		1	
9		40117118		WINDOW PLATE ASM. A				*		1	
10		RE0700000K0		E-RING 7				*		1	
11		WP0621036SP		WASHER				*		2	
12		NS6150440SP		HEXAGONAL NUT 15/64-28				*		2	
13		40117107		AK SOLENOID ASM. B						1	
14		SM6051002TP		SCREW M5X0.8 L=10				*		1	
15		GAK33012000		SOLENOID PIN				*		1	
16		GAK33035000		SOLENOID COLLAR				*		1	
17		RE0400000KP		E-RING 4				*		2	
18		GAK33013000		SOLENOID PIN COLLAR				*		1	
19		SM6051552TP		SCREW M5 L=15				*		1	
20		GAK33011000		SOLENOID ARM A				*		1	
21		40117108		AK SOLENOID ASM. A				*		1	
22		HK034610020		CONNECTOR				*		1	
23		GAK330400A0		SHAFT PIN ASM.						1	
24		RE0500000K0		E-RING				*		1	
25		GAK33042000		KNEE LIFTING LINK SPRING						1	
26		GAK33041000		KNEE LIFTING LINK STEP SCREW						1	

## HOW TO MAKE USE OF THIS PARTS LIST

1.As to "#01" and "#02" refer to the "Note" given at the bottom of the respective pages.

2.Codes on the "Qty" column

- Each numeral indicates the number of parts required.
- "0.1" and "2.5" indicate the length (in meters) of the respective parts.

3.Parentheses mean that the corresponding part is a subpart that constructs an assembly part.

4.Dotted lines on the Figures indicate assembly parts.

1. リストページの# 0 1、# 0 2の印は、ページ下の"注記"の説明を参照下さい。
2. 数量欄の数字は、個数を表し、0. 1、2. 5等の数値は、長さ（単位メートル）を表します。
3. 数量欄の（ ）は、組部品を構成している子部品であることを意味します。
4. イラストページの-----枠は、組構成であることを意味します。

## NUMERICAL INDEX OF PARTS

PART NO	PAGE	REF NO.
22991301	2	4
22991400	2	8
40117107	2	13
40117108	2	21
40117117	2	1
40117118	2	9
GAK33011000	2	20
GAK33012000	2	15
GAK33013000	2	18
GAK33027000	2	7
GAK33035000	2	16
GAK330400A0	2	23
GAK33041000	2	26
GAK33042000	2	25
HK034610020	2	22
NS6150310SP	2	5
NS6150440SP	2	12
RE0400000KP	2	17
RE0500000K0	2	24
RE0700000K0	2	10
SD0800352SP	2	3
SM6051002TP	2	14
SM6051552TP	2	19
SS7121410TP	2	6
WP0621036SP	2	11
WP1021016SD	2	2