

MODEL : SS46  
List No : 1590-01

# PARTS LIST

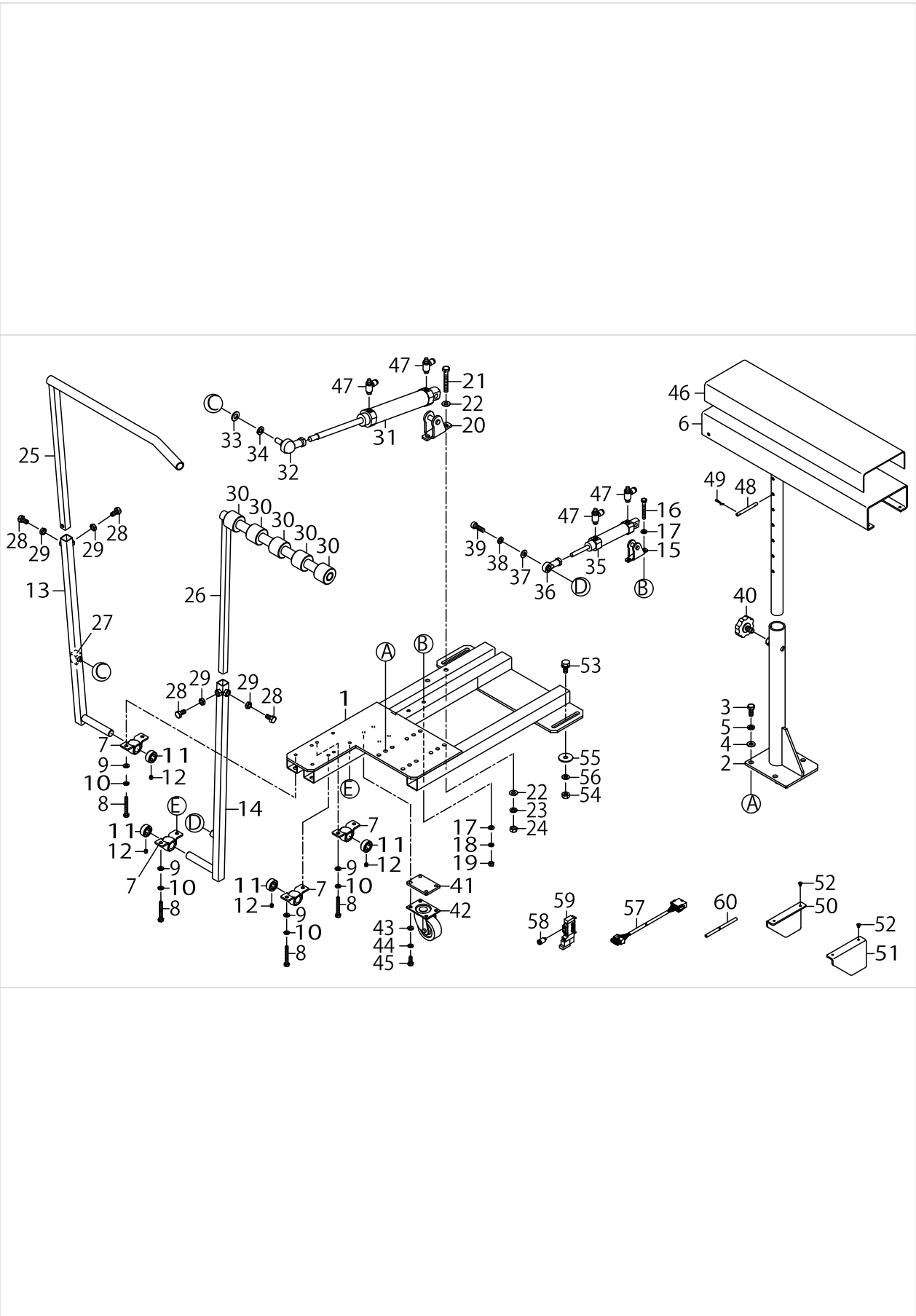
Published:05/12/2017

## CONTENTS

---

COMPONENTS .....	1
HOW TO MAKE USE OF THIS PARTS LIST .....	5

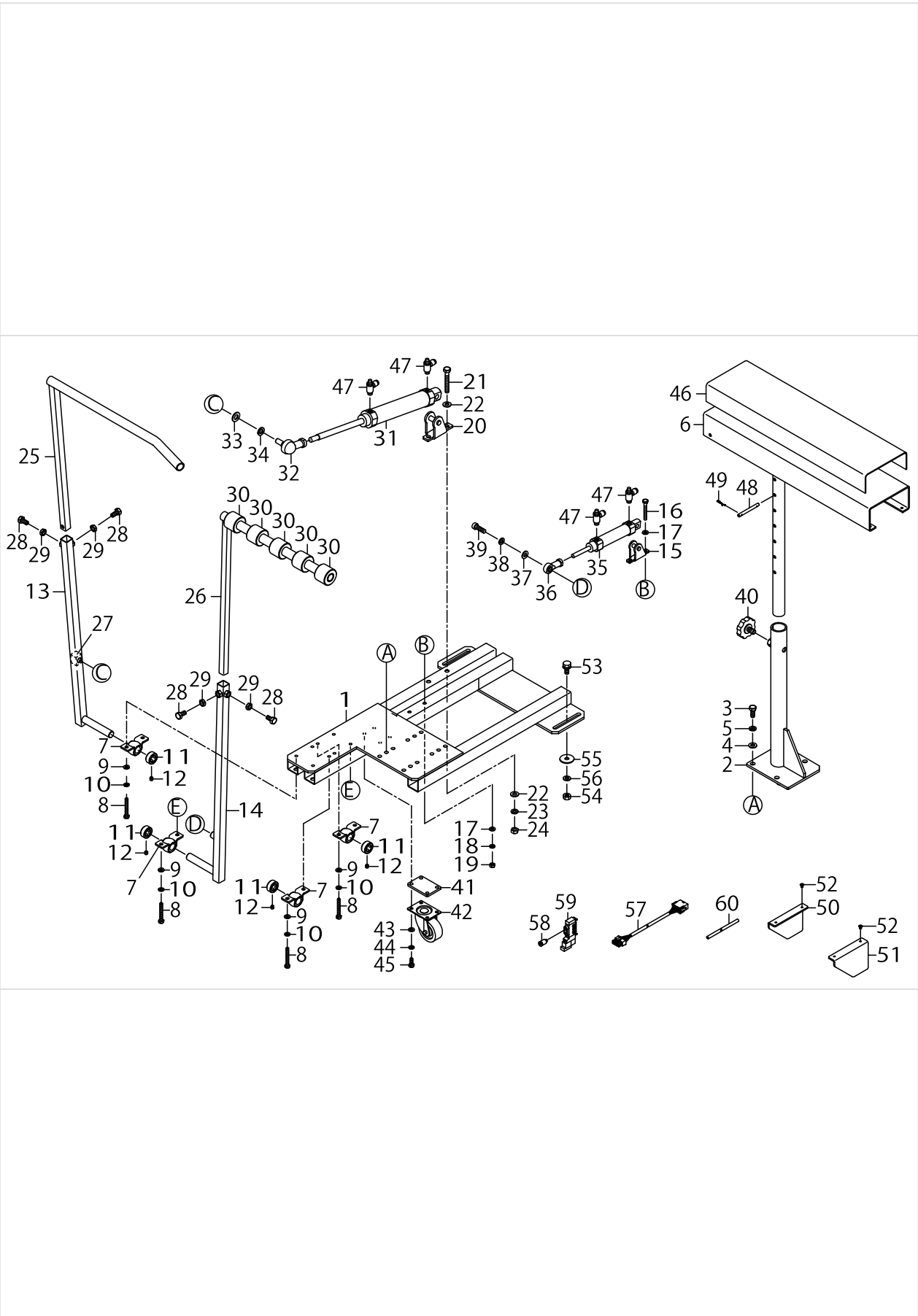
COMPONENTS



COMPONENTS

No.	Supply Code	Parts No.	Replacement	Parts name	Remarks	Choice	Step	Level	Cons	Qty	Rep. QTY
1		40067952		STACKER BASE						1	
2		GSS34002000		CLOTH RECEIVING PLATE, LOWER						1	
3		SM9082023SE		SCREW M8 L=20						4	
4		WP0841601SC		WASHER 8.4X17.4X1.6						4	
5		WS0820002KN		SPRING WASHER M8						4	
6		GSS34003000		CLOTH RECEIVING PLATE, A						1	
7		16136806		MINI PILLOW UNIT						4	
8		SM9064503SC		SCREW M6 L=45						8	
9		WP0641601SC		WASHER						8	
10		WS0610002KN		SPRING WASHER 6.1X12.2X1.5						8	
11		CS1501181TP		THRUST COLLAR D=15 W=11						4	
12		SM8050412TP		SCREW M5 L=4						8	
13		GSS340070A0		CLOTH SPREADER BAR ASM., LOWER						1	
14		GSS340080A0		CLOTH SPREADER BAR ASM., LOWER						1	
15		PA900020000		I BRACKET						1	
16		SM9064503SC		SCREW M6 L=45						2	
17		WP0641601SC		WASHER						4	
18		WS0610002KN		SPRING WASHER 6.1X12.2X1.5						2	
19		NM6060001SC		NUT M6						2	
20		PA900061000		CLEVIS HOLDER						1	
21		SM9085513SC		SCREW M8 L=55						2	
22		WP0841601SC		WASHER 8.4X17.4X1.6						4	
23		WS0820002KN		SPRING WASHER M8						2	
24		NM6080001SC		NUT M8X1.25						2	
25		40067953		HANDLE ARM						1	
26		GSS34010000		CLOTH PRESSER ARM						1	
27		40088242		SLIDE BLOCK						1	
28		SM9081603SC		HEXAGONAL HEAD SCREW						4	
29		NM6080003SC		NUT M8						4	
30		GAS11154000		STACKER RING						5	
31		PA3212503A0		AIR CYLINDER						1	
32		GSS29125000		LINK BALL						1	
33		WP1102016SC		WASHER 11X21X2						1	
34		WS1020002KN		SPRING WASHER M10						1	
35		PA2005017A0		AIR CYLINDER						1	
36		16138109		ROD						1	
37		WP0841601SC		WASHER 8.4X17.4X1.6						1	
38		WS0820002KN		SPRING WASHER M8						1	
39		SM6082502TP		SCREW M8 L=25						1	
40		GET01016000		AUXILIARY TABLE ADJUSTING KNOB						1	
41		40064832		SPACER						1	
42		B8150221D00		CASTER						1	
43		WP0641601SC		WASHER						4	
44		WS0610002KN		SPRING WASHER 6.1X12.2X1.5						4	
45		SM9061613SC		SCREW M6 L=16						4	

COMPONENTS



COMPONENTS

No.	Supply Code	Parts No.	Replacement	Parts name	Remarks	Choice	Step	Level	Cons	Qty	Rep. QTY
46		GSS34005000		RUBBER						1	
47		PC015106000		SPEED CONTROLLER						4	
48		GST20004000		STOPPER PIN						1	
49		B1515210D00		PIN						2	
50		40064833		WORK GUIDE L						1	
51		40064834		WORK GUIDE R						1	
52		SM1040601SC		SCREW M4X0.7 L=6						4	
53		SL9082583SE		BOLT WITH WASHER						2	
54		NM6080001SC		NUT M8X1.25 TYPE1						2	
55		WP0852086SC		WASHER M8						2	
56		WS0820002KN		SPRING WASHER M8						2	
57		40111079		PEDAL EXTENSION CABLE ASM.						1	
58		PJ210006100		HALF UNION						2	
59		PV150209100		SOLENOID VALVE						1	
60		BT0600401EB		URETHANE TUBE BLACK 6X4						4	

## HOW TO MAKE USE OF THIS PARTS LIST

1.As to "#01" and "#02" refer to the "Note" given at the bottom of the respective pages.

2.Codes on the "Qty" column

- Each numeral indicates the number of parts required.
- "0.1" and "2.5" indicate the length (in meters) of the respective parts.

3.Parentheses mean that the corresponding part is a subpart that constructs an assembly part.

4.Dotted lines on the Figures indicate assembly parts.

1. リストページの# 0 1、# 0 2の印は、ページ下の"注記"の説明を参照下さい。
2. 数量欄の数字は、個数を表し、0. 1、2. 5等の数値は、長さ（単位メートル）を表します。
3. 数量欄の（ ）は、組部品を構成している子部品であることを意味します。
4. イラストページの-----枠は、組構成であることを意味します。

# NUMERICAL INDEX OF PARTS

PART NO	PAGE	REF NO.	PART NO	PAGE	REF NO.
16136806	2	7	WP0852086SC	4	55
16138109	2	36	WP1102016SC	2	33
40064832	2	41	WS0610002KN	2	44
40064833	4	50	WS0820002KN	2	56
40064834	4	51	WS0820002KN	4	56
40067952	2	1	WS1020002KN	2	34
40067953	2	25			
40088242	2	27			
40111079	4	57			
B1515210D00	4	49			
B8150221D00	2	42			
BT0600401EB	4	60			
CS1501181TP	2	11			
GAS11154000	2	30			
GET01016000	2	40			
GSS29125000	2	32			
GSS34002000	2	2			
GSS34003000	2	6			
GSS34005000	4	46			
GSS340070A0	2	13			
GSS340080A0	2	14			
GSS34010000	2	26			
GST20004000	4	48			
NM6060001SC	2	19			
NM6080001SC	2	54			
NM6080001SC	4	54			
NM6080003SC	2	29			
PA2005017A0	2	35			
PA3212503A0	2	31			
PA900020000	2	15			
PA900061000	2	20			
PC015106000	4	47			
PJ210006100	4	58			
PV150209100	4	59			
SL9082583SE	4	53			
SM1040601SC	4	52			
SM6082502TP	2	39			
SM8050412TP	2	12			
SM9061613SC	2	45			
SM9064503SC	2	16			
SM9081603SC	2	28			
SM9082023SE	2	3			
SM9085513SC	2	21			
WP0641601SC	2	43			
WP0841601SC	2	37			