

MODEL : IT-100

List No : 1581-03

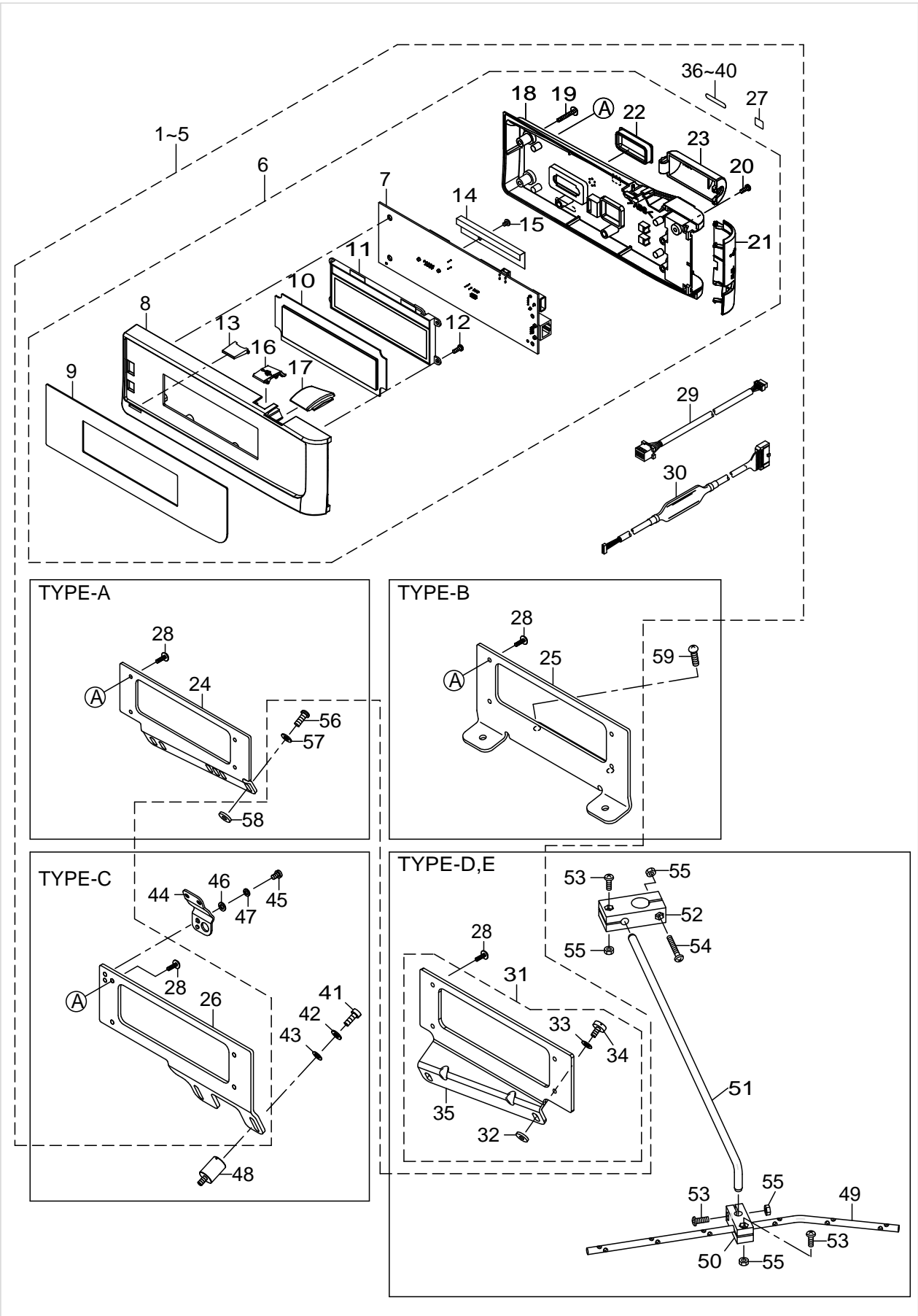
# PARTS LIST

Published:05/12/2017

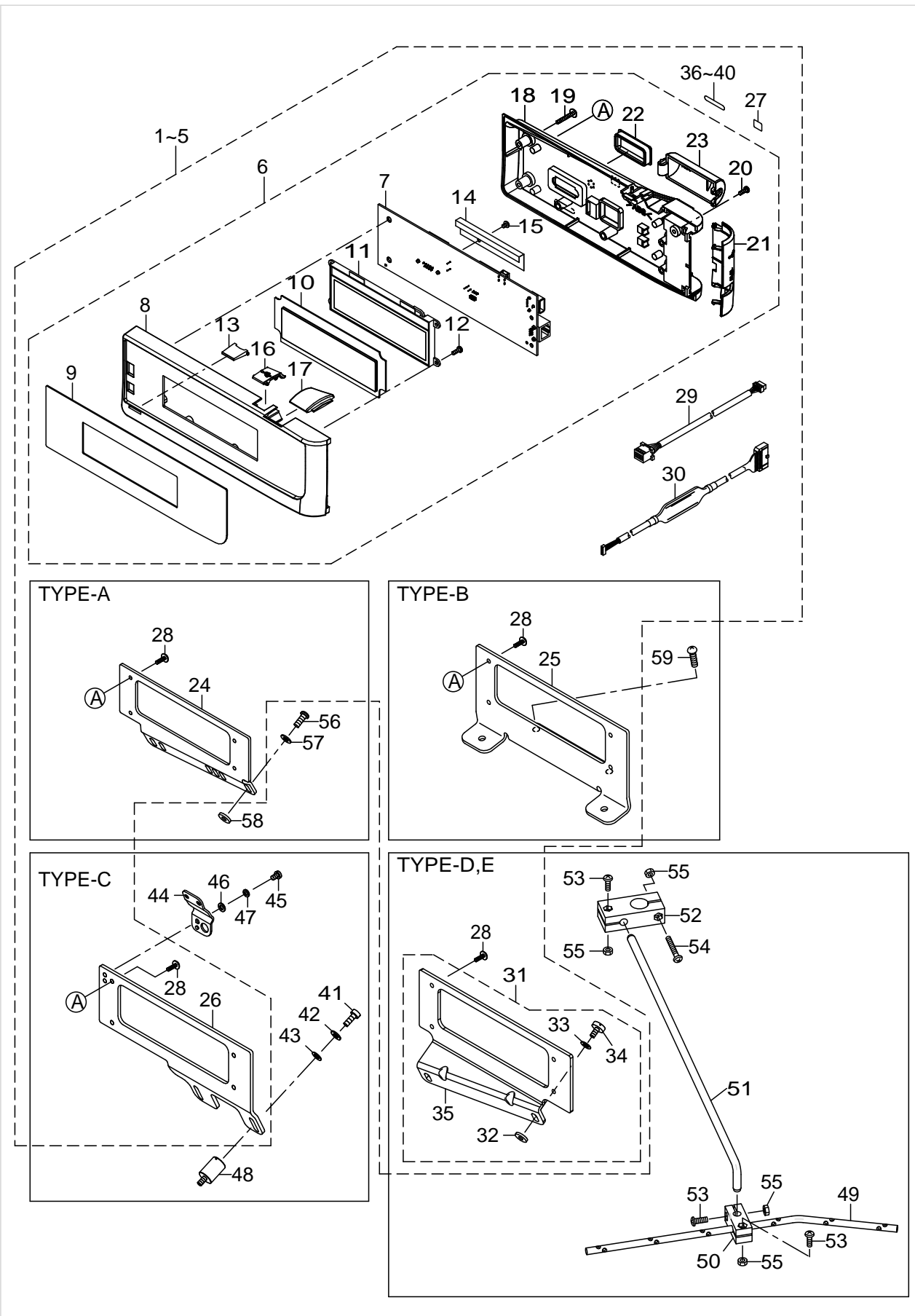
## CONTENTS

---

IT-100.....	1
HOW TO MAKE USE OF THIS PARTS LIST .....	5



No.	Supply Code	Parts No.	Replacement	Parts name	Remarks	Choice	Step	Level	Cons	Qty	Rep. QTY
1		40108876		PANEL_A_ASSY	FOR TYPE A					1	
2		40108877		PANEL_B_ASSY	FOR TYPE B					1	
3		40108878		PANEL_C_ASSY	FOR TYPE C					1	
4		40122922		PANEL_D_ASSY	FOR TYPE D					1	
5		40122923		PANEL_E_ASSY	FOR TYPE E					1	
6		40108879		PANEL_ASSY				*		1	
7		40108880		PANEL_PCB_ASSY				*		1	
8		40105708		FRONT_PANEL				*		1	
9		40106354		MEMBRANE SWITCH				*		1	
10		40105715		LCD_COVER				*		1	
11		40105720		LCD_MODULE				*		1	
12		ST4030851SN		SCREW				*		4	
13		40105717		ONLINE_INDICATOR				*		1	
14		40109555		METAL_FOIL_SHEET				*		1	
15		SM4030401SN		SCREW M3 L=4				*		1	
16		40105714		CONNECTOR_COVER_B				*		1	
17		40105716		POWER_INDICATOR				*		1	
18		40105707		BACK_PANEL				*		1	
19		SV4032001SN		SCREW				*		4	
20		ST4030851SN		SCREW				*		1	
21		40105713		CONNECTOR_COVER_A				*		1	
22		40005848		D-SUB 9P COVER				*		1	
23		40105188		CORD_EXIT_COVER				*		1	
24		40106337		PANEL_BRACKET	FOR TYPE A			*		1	
25		40106338		PANEL_BRACKET_B	FOR TYPE B			*		1	
26		40106136		PANEL_BRACKET_C	FOR TYPE C			*		1	
27		CM500100003		CE LABEL				*		1	
28		SV4031001SN		SCREW				*		4	
29		40108447		PANEL CABLE ASSY	FOR TYPE A,B,C			*		1	
30	R	40119704	40167460	CONVERTER_CABLE_ASSY	FOR TYPE D,E			*		1	1.00
31		40157794		PANEL BRACKET ASSY	FOR TYPE D,E			*		1	
32		B1144771000		FRAME SIDE COVER GASKET (C)				*		2	
33		WT0530002KS		TOOTHED WASHER D=5.3				*		2	
34		SS6121030SN		SCREW 3/16-28 L=10				*		2	
35		40123001		PANEL_BRACKET				*		1	
36		40044616		TYPE LABEL A	FOR TYPE A			*		1	
37		40044617		TYPE LABEL B	FOR TYPE B			*		1	
38		40108699		TYPE LABEL C0A	FOR TYPE C			*		1	
39		40115767		TYPE LABEL D0C	FOR TYPE D			*		1	
40		40024479		TYPE LABEL E0A	FOR TYPE E			*		1	
41		SS6111210SP		SCREW11/64-40L=12	ACCESSO- RIE PARTS					2	
42		WP0501016SD		WASHER 5X10.5X1	ACCESSO- RIE PARTS					2	
43		WT0530002KS		TOOTHED WASHER D=5.3	ACCESSO- RIE PARTS					2	
44		40106867		PANEL_THREAD_GUIDE	ACCESSO- RIE PARTS					1	



## IT-100

No.	Supply Code	Parts No.	Replacement	Parts name	Remarks	Choice	Step	Level	Cons	Qty	Rep. QTY
45		SM4040601SC		SCREW M4X0.7 L=6	ACCESSO- RIE PARTS					1	
46		WP0430800SC		WASHER M4	ACCESSO- RIE PARTS					1	
47		WS0410002KN		SPRING WASHER M4	ACCESSO- RIE PARTS					1	
48		40106139		PANEL_BRACKET_STUD	ACCESSO- RIE PARTS					2	
49		40106583		THREAD GUIDE 6	FOR TYPE D,E(APPEN- DED GOODS)					1	
50		40106580		THREAD GUIDE UNDER BASE	FOR TYPE D,E(APPEN- DED GOODS)					1	
51		40106576		THREAD GUIDE ARM	FOR TYPE D,E(APPEN- DED GOODS)					1	
52		40106579		THREAD GUIDE ARM BASE	FOR TYPE D,E(APPEN- DED GOODS)					1	
53		SM4041201SC		SCREW M4 L=12	FOR TYPE D,E(APPEN- DED GOODS)					3	
54		SM4042501SC		SCREW M4X0.7 L=25	FOR TYPE D,E(APPEN- DED GOODS)					1	
55	R	NM6040002SC	NM6040002SE	NUT M4	FOR TYPE D,E(APPEN- DED GOODS)					4	1.00
56		SS4121215SP		SCREW 3/16-28 L=12	ACCESSO- RIE PARTS					2	
57		WP0501016SD		WASHER 5X10.5X1	ACCESSO- RIE PARTS					2	
58		B1144771000		FRAME SIDE COVER GASKET (C)	ACCESSO- RIE PARTS					2	
59		40093427		WOOD_SCREW D=5.1 L=18	ACCESSO- RIE PARTS					2	

## HOW TO MAKE USE OF THIS PARTS LIST

1.As to "#01" and "#02" refer to the "Note" given at the bottom of the respective pages.

2.Codes on the "Qty" column

- Each numeral indicates the number of parts required.
- "0.1" and "2.5" indicate the length (in meters) of the respective parts.

3.Parentheses mean that the corresponding part is a subpart that constructs an assembly part.

4.Dotted lines on the Figures indicate assembly parts.

1. リストページの# 0 1、# 0 2の印は、ページ下の"注記"の説明を参照下さい。
2. 数量欄の数字は、個数を表し、0. 1、2. 5等の数値は、長さ（単位メートル）を表します。
3. 数量欄の（ ）は、組部品を構成している子部品であることを意味します。
4. イラストページの-----枠は、組構成であることを意味します。

# NUMERICAL INDEX OF PARTS

PART NO	PAGE	REF NO.	PART NO	PAGE	REF NO.
40005848	2	22	SM4042501SC	4	54
40024479	2	36~40	SS4121215SP	4	56
40044616	2	36~40	SS6111210SP	2	41
40044617	2	36~40	SS6121030SN	2	34
40093427	4	59	ST4030851SN	2	20
40105188	2	23	SV4031001SN	2	28
40105707	2	18	SV4032001SN	2	19
40105708	2	8	WP0430800SC	4	46
40105713	2	21	WP0501016SD	2	57
40105714	2	16	WP0501016SD	4	57
40105715	2	10	WS0410002KN	4	47
40105716	2	17	WT0530002KS	2	43
40105717	2	13			
40105720	2	11			
40106136	2	26			
40106139	4	48			
40106337	2	24			
40106338	2	25			
40106354	2	9			
40106576	4	51			
40106579	4	52			
40106580	4	50			
40106583	4	49			
40106867	2	44			
40108447	2	29			
40108699	2	36~40			
40108876	2	1~5			
40108877	2	1~5			
40108878	2	1~5			
40108879	2	6			
40108880	2	7			
40109555	2	14			
40115767	2	36~40			
40119704	2	30			
40122922	2	1~5			
40122923	2	1~5			
40123001	2	35			
40157794	2	31			
B1144771000	2	58			
B1144771000	4	58			
CM500100003	2	27			
NM6040002SC	4	55			
SM4030401SN	2	15			
SM4040601SC	4	45			
SM4041201SC	4	53			