

MODEL : MF-7500 SERIES

List No : 1595-02

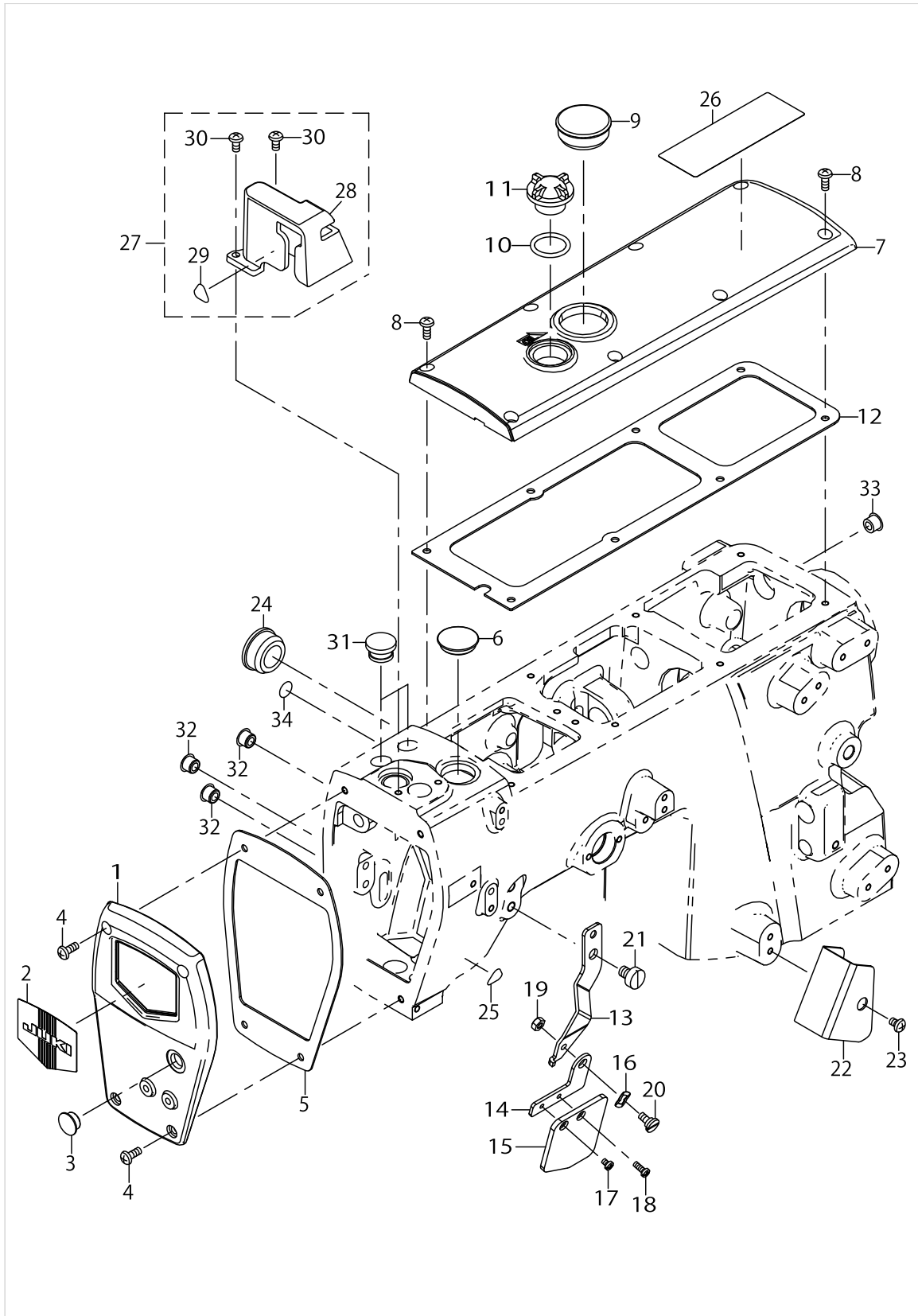
PARTS LIST

Published:05/12/2017

CONTENTS

MISCELLANEOUS COVER COMPONENTS (1).....	1
MISCELLANEOUS COVER COMPONENTS (2).....	3
MAIN SHAFT COMPONENTS	7
NEEDLE BAR & PRESSER COMPONENTS.....	11
FEED DRIVE COMPONENTS (1).....	15
FEED DRIVE COMPONENTS (2).....	21
THREAD TAKE-UP LEVER COMPONENTS.....	23
SPREADER COMPONENTS.....	27
LOWER THREAD CAM COMPONENTS.....	29
NEEDLE GUARD COMPONENTS.....	31
LOOPER COMPONENTS	33
THREAD TENSION COMPONENTS	35
LUBRICATION COMPONENTS	37
THREAD STAND COMPONENTS.....	41
GAUGE PARTS COMPONENTS	43
NEEDLE COOLING COMPONENTS	47
ACCESSORIES PARTS COMPONENTS	49
LIST FOR INFORMATION OF CHANGE.....	53
HOW TO MAKE USE OF THIS PARTS LIST	54

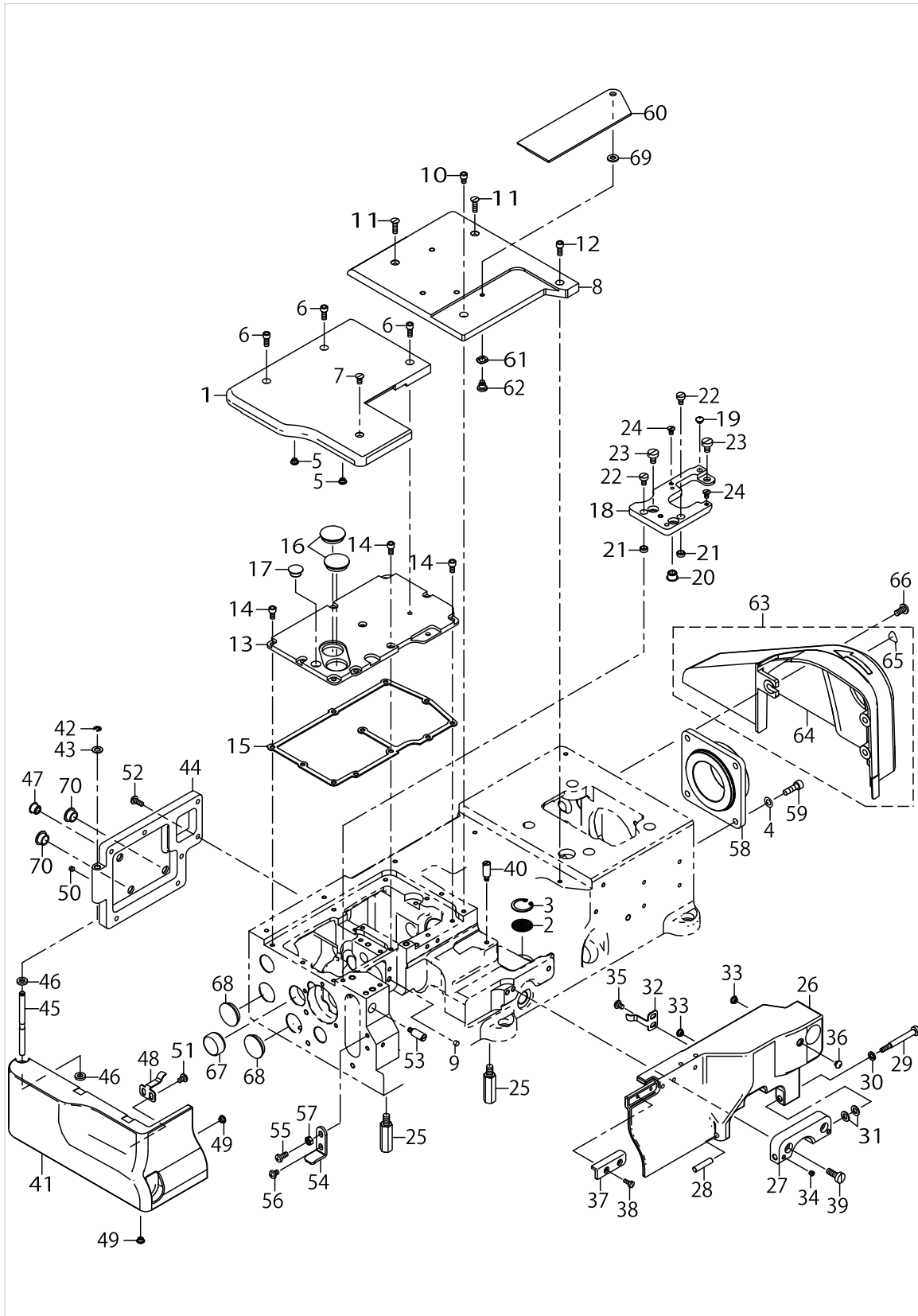
MISCELLANEOUS COVER COMPONENTS (1)



MISCELLANEOUS COVER COMPONENTS (1)

No.	Supply Code	Parts No.	Replacement	Parts name	Remarks	Choice	Step	Level	Cons	Qty	Rep. QTY
1		70001411		FACE COVER						1	
2		22902506		PLATE						1	
3		TA1050504R0		RUBBER PLUG						1	
4		SM4041055SP		SCREW					☆	4	
5		70001416		GASKET H						1	
6		TA2050406R0		RUBBER PLUG						1	
7		70001409		TOP COVER						1	
8		SM4041055SP		SCREW						8	
9		10753309		WINDOW PLATE RUBBER PLUG						1	
10		RO195240100		O-RING						1	
11		22924708		OIL SIGHT WINDOW						1	
12		13300801		GASKET T						1	
13		70001421		BRACKET HOLDER						1	
14		40033341		BRACKET						1	
15		13301700		PROTECTION SHIELD						1	
16		WZ0641510KP		WAVED WASHER 6.4X11X0.3						1	
17		SM4030455SN		SCREW						1	
18		SM4030855SN		SCREW M3 L=8.0						1	
19		NM6040000SN		NUT M4						1	
20		SD0640246SP		SHOULDER SCREW D=6.35 H=2.4						1	
21		SM4060801SE		SCREW						1	
22		70001422		THREAD COVER						1	
23		SM4040655SP		SCREW M4 L=6						1	
24		TA2351004R0		RUBBER PLUG						1	
25		CM300200001		FINGER INJURY CAUTION LABEL (16)						1	
26		CM301300001		SAFETY LABEL						1	
27		70001837		NEEDLE BAR GUARD ASSY						1	
28		70001407		NEEDLE BAR GUARD				*		1	
29		CM300200001		FINGER INJURY CAUTION LABEL (16)				*		1	
30		SM4040855SP		SCREW				*		2	
31		TA1250705R0		RUBBER PLUG						2	
32		TA0850604R0		RUBBER PLUG						3	
33		TA0850604R0		RUBBER PLUG						1	
34		22901805		GROUND MARK						1	

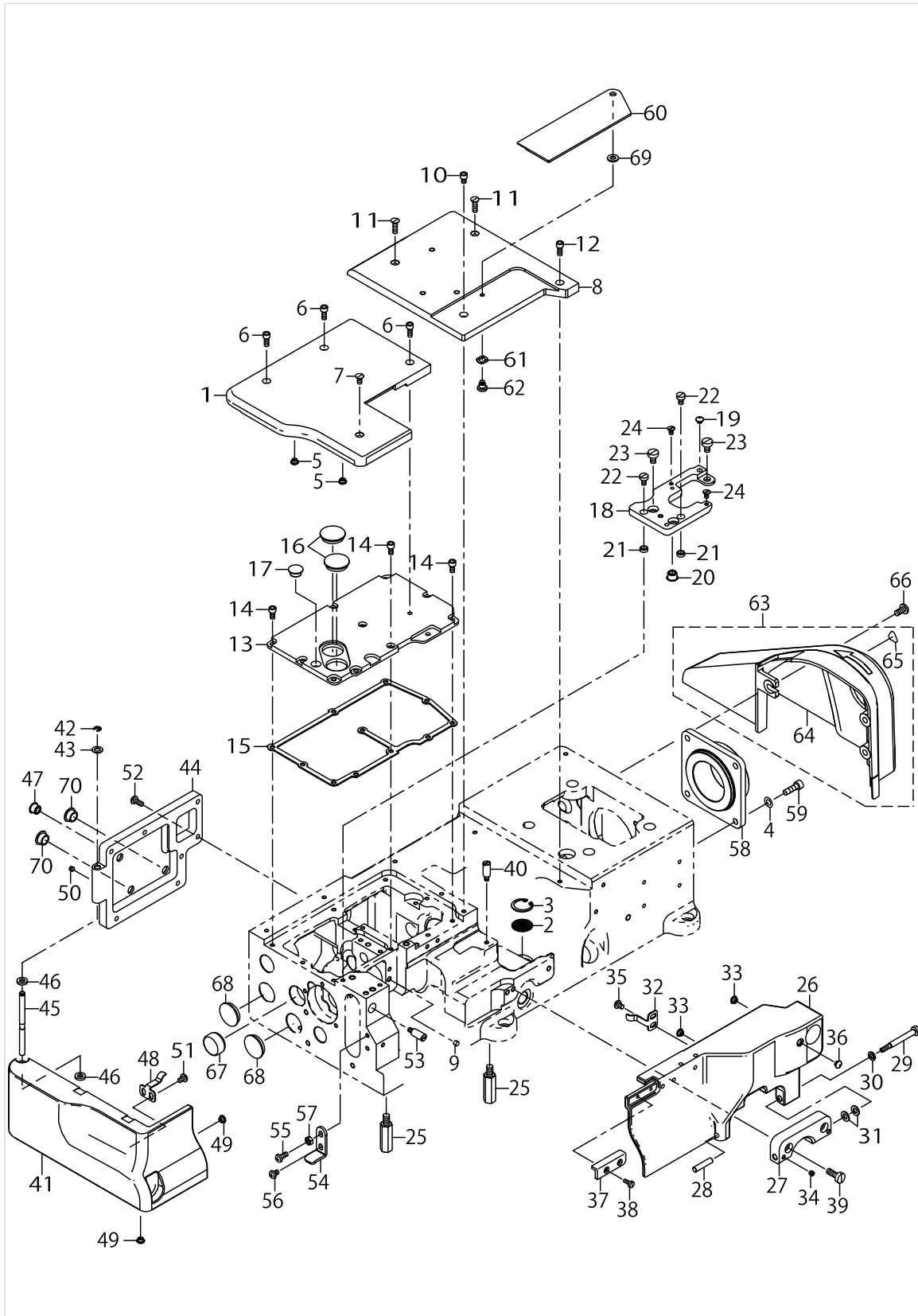
MISCELLANEOUS COVER COMPONENTS (2)



MISCELLANEOUS COVER COMPONENTS (2)

No.	Supply Code	Parts No.	Replacement	Parts name	Remarks	Choice	Step	Level	Cons	Qty	Rep. QTY
1		70001420		CLOTH PLATE LEFT						1	
2		13426903		MESH PLATE						1	
3		RC1900002KP		C-RING 19(20.5)						1	
4		WP0531000SD		WASHER M5						4	
5		13302302		RUBBER BUMPER						2	
6		SM6041002TP		SCREW M4X0.7 L=10						3	
7		SM1040800SP		SCREW						1	
8		70001978		CLOTH PLATE RIGHT						1	
9		TA0400301M0		PLUG D=4X4.5 L=3						1	
10		SM6040602TP		SCREW M4X0.7 L=6						1	
11		SM10414C0SP		SCREW						2	
12		SM6041002TP		SCREW M4X0.7 L=10						1	
13		70001415		BED TOP COVER						1	
14		SM6040800SP		SCREW						11	
15		70001423		GASKET B						1	
16		TA2050416R0		RUBBER PLUG						2	
17		TA1050504R0		RUBBER PLUG						1	
18		70001424		THROAT PLATE SUPPORT						1	
19		13302302		RUBBER BUMPER						1	
20		TA0850604R0		RUBBER PLUG						1	
21		40082196		ADJUSTING COLLAR					☆	2	
22		SM60407C0TP		SCREW M4 L=7					☆	2	
23		SM6050800SP		SCREW M5 L=8						3	
24		13302203		SCREW						2	
25		13301809		SUPPORT STUD						4	
26		70001426		SWING DOWN COVER						1	
27	R	70001431	70004972	HINGE						1	1.00
28		13409800		DIFF LINK PIN						1	
29		70001414		SCREW						1	
30		WS0510002KP		SPRING WASHER 5.1X9.2X1.3						1	
31		WP0531000SC		WASHER 5.3X10X1						2	
32		13304308		LATCH SPRING					☆	1	
33		13302302		RUBBER BUMPER						2	
34		SM8040412TP		SET SCREW M4 L=4						2	
35		SM4040655SP		SCREW M4 L=6						2	
36		13302302		RUBBER BUMPER						1	
37		40099371		BRACKET						1	
38		SM6030800SP		SCREW M3X0.5 L=8					☆	2	
39		SM6051400SP		SCREW						2	
40		13302104		PIN						1	
41		70001418		SIDE COVER						1	
42		RE0300000K0		E-RING 3						1	
43		WP0550800SP		WASHER 5.5X10X0.8						1	
44		70001659		FEED CHAMBER COVER						1	
45		13305107		PIN FOR SIDE COVER						1	
46		13302708		RUBBER WASHER						2	

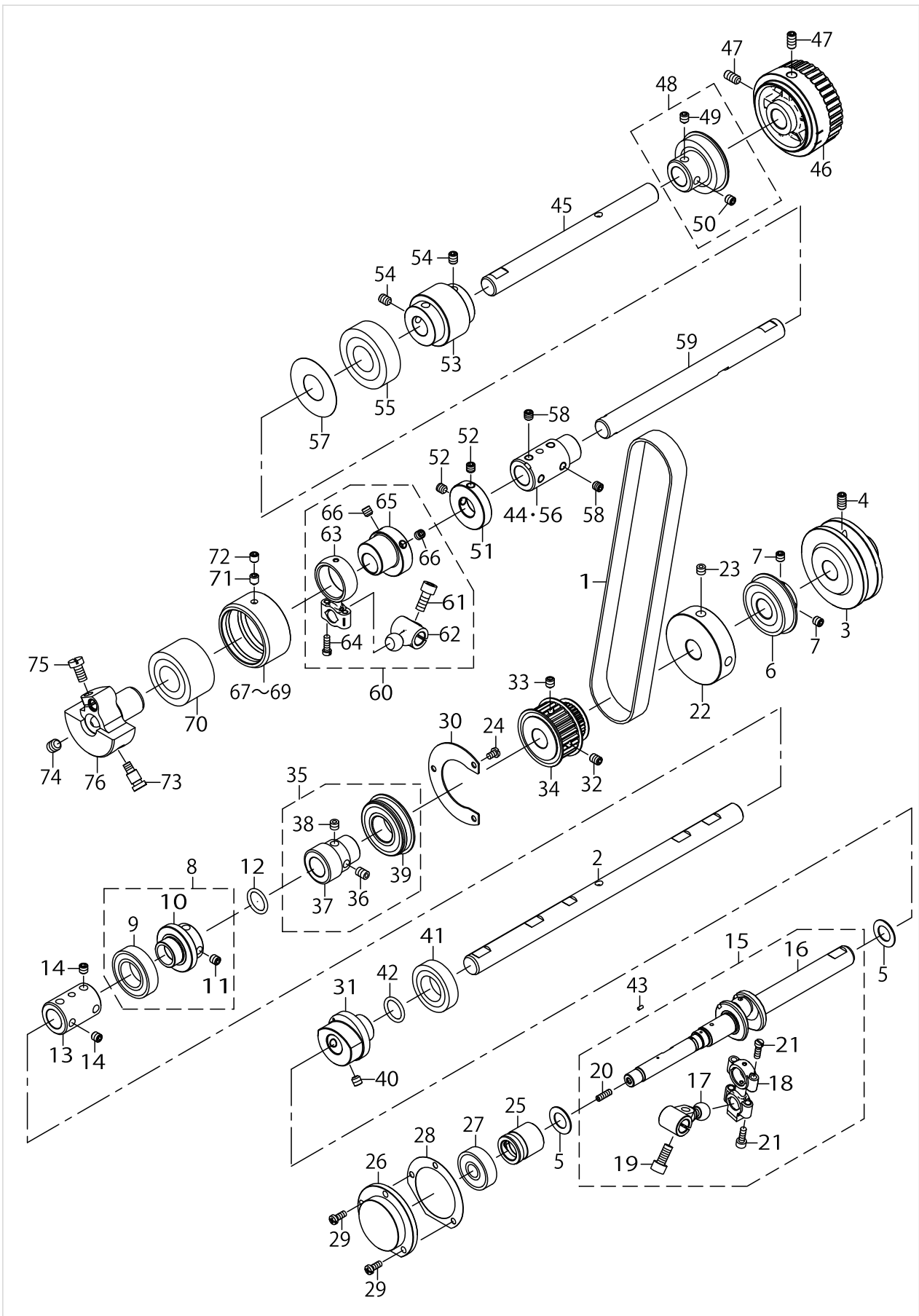
MISCELLANEOUS COVER COMPONENTS (2)



MISCELLANEOUS COVER COMPONENTS (2)

No.	Supply Code	Parts No.	Replacement	Parts name	Remarks	Choice	Step	Level	Cons	Qty	Rep. QTY
47		TA0850604R0		RUBBER PLUG						1	
48		13304308		LATCH SPRING					☆	1	
49		13302302		RUBBER BUMPER						2	
50		SM8040312TP		SCREW M4 L=3						1	
51		SM4040555SP		SCREW						2	
52		SM4041055SP		SCREW						7	
53		13302104		PIN						1	
54		13304209		SUPPORT BRACKET						1	
55		SM4041055SP		SCREW						1	
56		SM4040655SP		SCREW M4 L=6						1	
57		NM6040000SN		NUT M4						1	
58		70001436		HOUSING						1	
59		SM6051602TP		SCREW M5X0.8 L=16						4	
60		70001976		SLIDE COVER						1	
61		WZ0641510KP		WAVED WASHER 6.4X11X0.3						1	
62		70004493		SHOULDER_SCREW						1	
63		70001831		DRIVING BELT COVER ASSY						1	
64		70001830		DRIVINGBELTCOVER					*	1	
65		CM300200001		FINGER INJURY CAUTION LABEL (16)					*	1	
66		SM4051055SP		SCREW						3	
67		TA2101002R0		RUBBER PLUG						1	
68		TA2050416R0		RUBBER PLUG						2	
69		WP0501016SD		WASHER 5X10.5X1						1	
70		TA1050504R0		RUBBER PLUG						2	

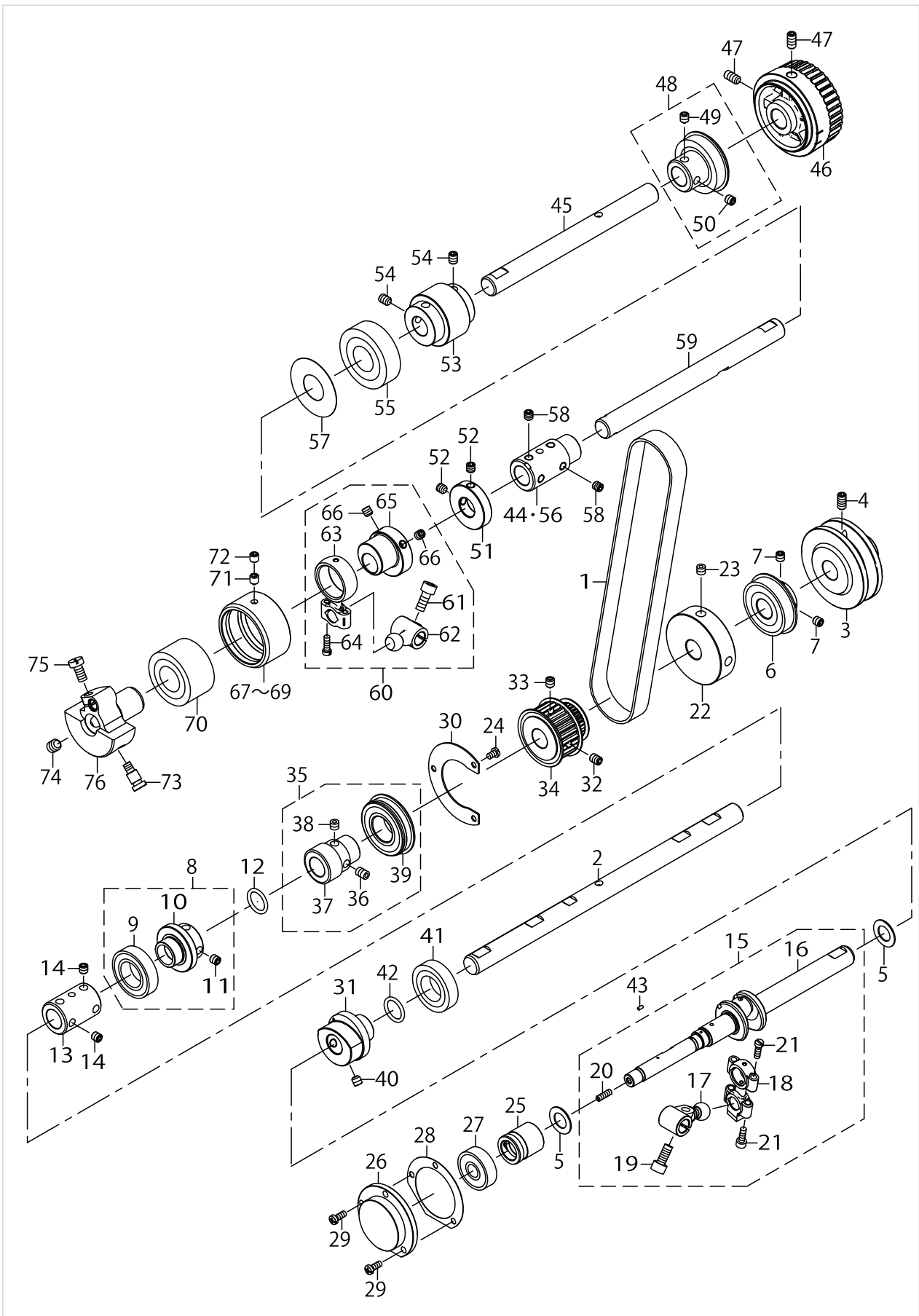
MAIN SHAFT COMPONENTS



MAIN SHAFT COMPONENTS

No.	Supply Code	Parts No.	Replacement	Parts name	Remarks	Choice	Step	Level	Cons	Qty	Rep. QTY
1		13308804		TIMING BELT						1	
2		70001445		LOWER MAINSHAFT RIGHT						1	
3		13406707		LOWER_PULLEY						1	
4		SM8061212TP		SCREW M6X12						2	
5		40017824		LOOPER LOD STOPPER						1	
6		70004640		COUPLING_E_ASSY						1	
7		SM8060612TP		SCREW M6 L=6						2	
8		13308457		BEARING ASSY C						1	
9		70004197		BEARING				*		1	
10	D	40018922		COUPLING C				*		1	
11		SM8060612TP		SCREW M6 L=6				*		2	
12		RO148240200		O-RING						1	
13		13307509		JOINT						1	
14		SM8060612TP		SCREW M6 L=6						4	
15		70004630		LMS_LEFT_ASSY						1	
16		70004631		LOWER_MAINSHAFT_LEFT				*		1	
17		70004633		LOOPER_DRIVE				*		1	
18		70004632		LOOPER_ROD_DRIVE				*		1	
19		SM6061402TP		SCREW M6 L=14				*		1	
20		SM8040412TP		SCREW M4X4				*		1	
21		13324108		SCREW				*		4	
22		70003316		FLY_WHEEL						1	
23		SM8060612TP		SCREW M6 L=6						2	
24		SM4040655SP		SCREW M4 L=6						3	
25		70001447		BUSHING LMS MIDDLE						1	
26		70001448		BUSHING LMS LEFT						1	
27		70005086		BEARING						1	
28		13308705		GASKET FOR BUSHING LEFT						1	
29		SM4041055SP		SCREW						3	
30		70001451		THRUST PLATE						1	
31		70001453		BEARING HOLDER						1	
32		SM8060812TP		SCREW M6 L=8						1	
33		SM8060842TP		SCREW M6 L=8						1	
34		70004184		LMS SPROCKET						1	
35		70004489		LMS_WORM_ASSY						1	
36		SM8060552TP		SCREW M6 L=5				*		1	
37		13308507		COUPLING D				*		1	
38		SM8060842TP		SCREW M6 L=8				*		1	
39		70004484		BEARING				*		1	
40		SM8060612TP		SCREW M6 L=6						2	
41		SB120001500		BEARING						1	
42		RO148240200		O-RING						1	
43		40035711		OIL WICK						2	
44		70003331		COUPLING B	FOR UT35,UT37					1	
45		70001437		UPPER MAINSHAFT RIGHT						1	
46		70001439		UPPER_PULLEY						1	

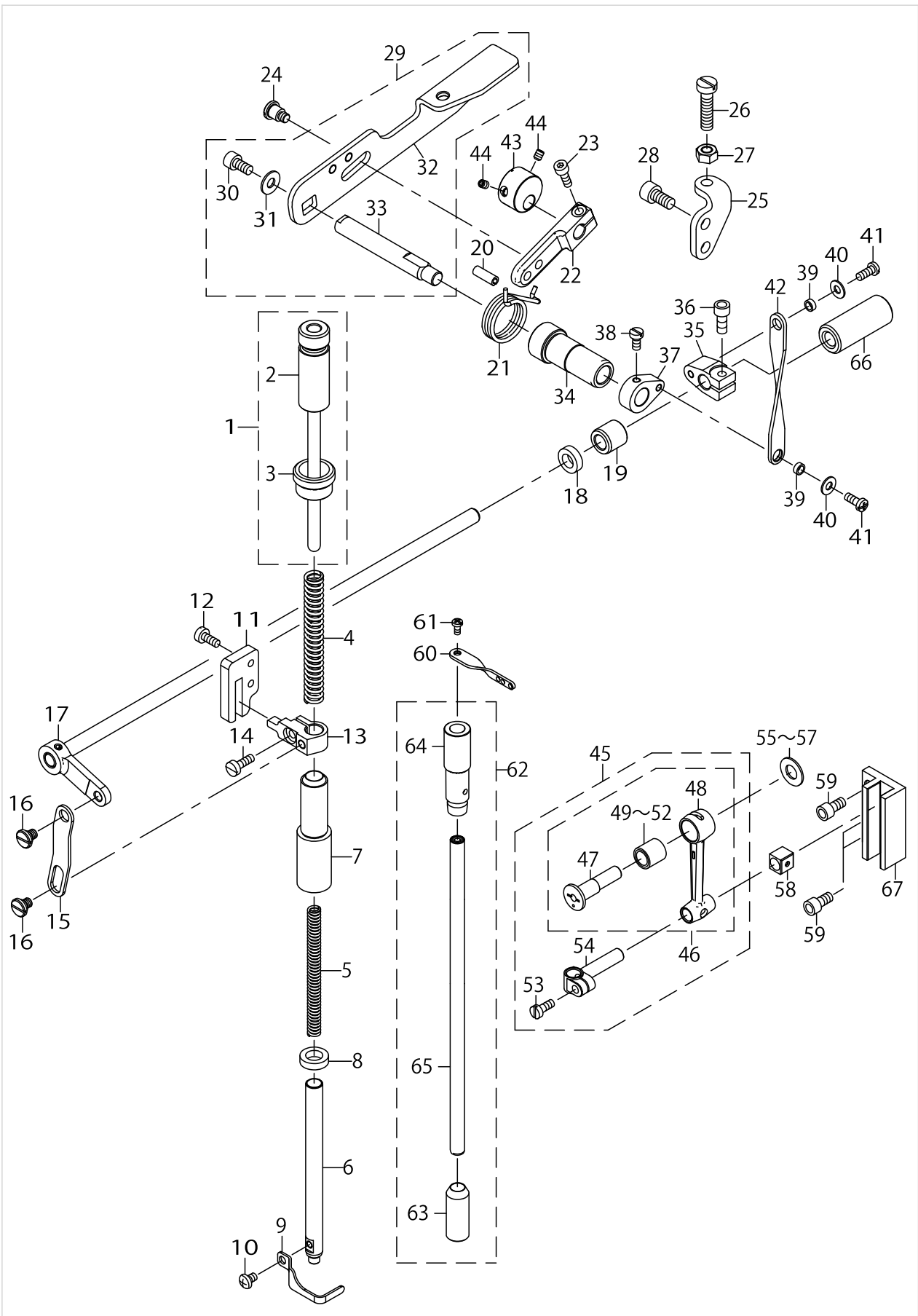
MAIN SHAFT COMPONENTS



MAIN SHAFT COMPONENTS

No.	Supply Code	Parts No.	Replacement	Parts name	Remarks	Choice	Step	Level	Cons	Qty	Rep. QTY
47		SM8061212TP		SCREW M6X12							2
48		13307251		BEARING ASSY A							1
49		SM8060842TP		SCREW M6 L=8				*			1
50		SM8060612TP		SCREW M6 L=6				*			1
51		70001443		COLLAR							1
52		SM8060612TP		SCREW M6 L=6							2
53		13307301		UMS SPROCKET							1
54		SM8060812TP		SCREW M6 L=8							4
55		SB120002200		BEARING							1
56		70001440		COUPLING B							1
57		70001638		BEARING COVER PLATE							1
58		SM8060612TP		SCREW M6 L=6							4
59		70001441		UPPER MAINSHAFT LEFT							1
60		70001442		TAKE UP ROD ASSY							1
61		SM6061402TP		SCREW M6 L=14				*			1
62		70001535		CRANK				*			1
63		70001536		ROD				*			1
64		13324108		SCREW				*			2
65		70001444		TAKE UP ECCENTRIC				*			1
66		SM8060612TP		SCREW M6 L=6				*			2
67		13307806		HOUSING A	SELECTIVE PARTS						1
68		13309307		HOUSING B	SELECTIVE PARTS						1
69		13309406		HOUSING C	SELECTIVE PARTS						1
70		SB120001900		BEARING							1
71		SM8060842TP		SCREW M6 L=8							1
72		SM8060612TP		SCREW M6 L=6							1
73		13309208		SCREW FOR COUNTERWEIGHT							1
74		SM8080812TP		SCREW M8X8							1
75		SM6061200SP		SCREW							1
76		13307707		COUNTER WEIGHT							1

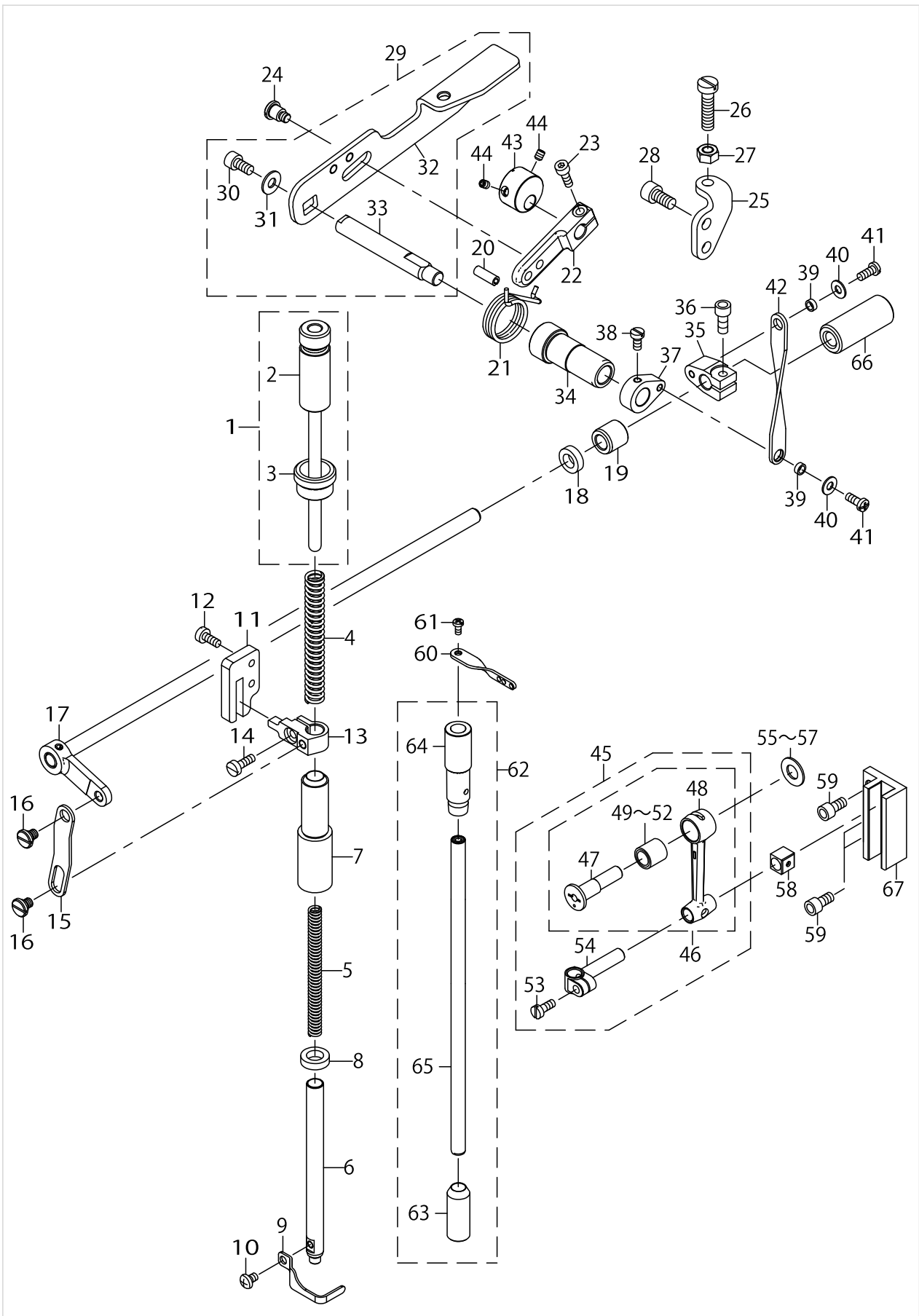
NEEDLE BAR & PRESSER COMPONENTS



NEEDLE BAR & PRESSER COMPONENTS

No.	Supply Code	Parts No.	Replacement	Parts name	Remarks	Choice	Step	Level	Cons	Qty	Rep. QTY
1		40070574		ADJ SCREW P B NUT ASSY						1	
2		40070573		ADJ SCREW P B ASSY				*		1	
3	R	13313101	13313068	LOCKING NUT				*		1	1.00
4		13313309		SPRING PRESSER BAR A						1	
5		70001480		SPRING PRESSER BAR B						1	
6		70001481		PRESSER BAR						1	
7		70001499		BUSHING PRESSER BAR						1	
8		13315908		OIL SEAL						1	
9		70001483		FINGER GUARD						1	
10		SM4040655SP		SCREW M4 L=6					☆	1	
11		13313804		GUIDE PLATE						1	
12		SM6041000SP		SCREW M4 L=10						2	
13		70001485		PRESSER BAR BRACKET						1	
14		SM6041200SP		SCREW M4 L=12						1	
15		13314109		LINK						1	
16		SD070020CTP		SHOULDER SCREW D=7 H=2						2	
17		13314356		ASSY LIFTER SHAFT						1	
18		23537202		HOOK SHAFT OIL SEAL						1	
19		70001486		BUSHING LIFTER FRONT						1	
20		PS0500142KP		SPRING PIN TYPE W 5X14						1	
21		70001498		SPRING LIFTER LEVER						1	
22		70001494		TENSION RELEASE LEVER						1	
23		SM6041202TP		SCREW M4X0.7 L=12						1	
24		SD070058CTP		SHOULDER SCREW D=7 H=5.8						1	
25		70001495		LIFTER LEVER STOPPER						1	
26		SM60625C0TP		SCREW M6 L=25					☆	1	
27		NM6060001CP		NUT M6X1 TYPE1						1	
28		SM6061202TP		SCREW M6 L=12						2	
29		70001487		LIFTER LEVER ASSY						1	
30		SM6051002TP		SCREW M5X0.8 L=10				*		1	
31		WP0551016SH		WASHER 5.5X13X1				*		1	
32		70001488		LIFTER LEVER				*		1	
33		70001489		LIFTER LEVER SHAFT				*		1	
34		70001490		BUSHING LIFTER LEVER						1	
35		70001478		LIFTER SHAFT LEVER						1	
36		SM6051202TP		SCREW M5X0.8 L=12						1	
37		70001477		LIFTER LEVER COLLAR						1	
38		SM6040800SP		SCREW						1	
39		70001491		SPACER						2	
40		WP0450826SC		WASHER 4.5X10X0.8						2	
41		SM4041055SP		SCREW						2	
42		70001492		LIFTER LEVER LINK						1	
43		70001493		MINUTES LIFTING COLLAR						1	
44		SM8040512TP		SCREW						2	
45		13311253		ASSY NEEDLE MECH						1	
46		70004371		ASSY_CONNECTING_ROD				*		1	

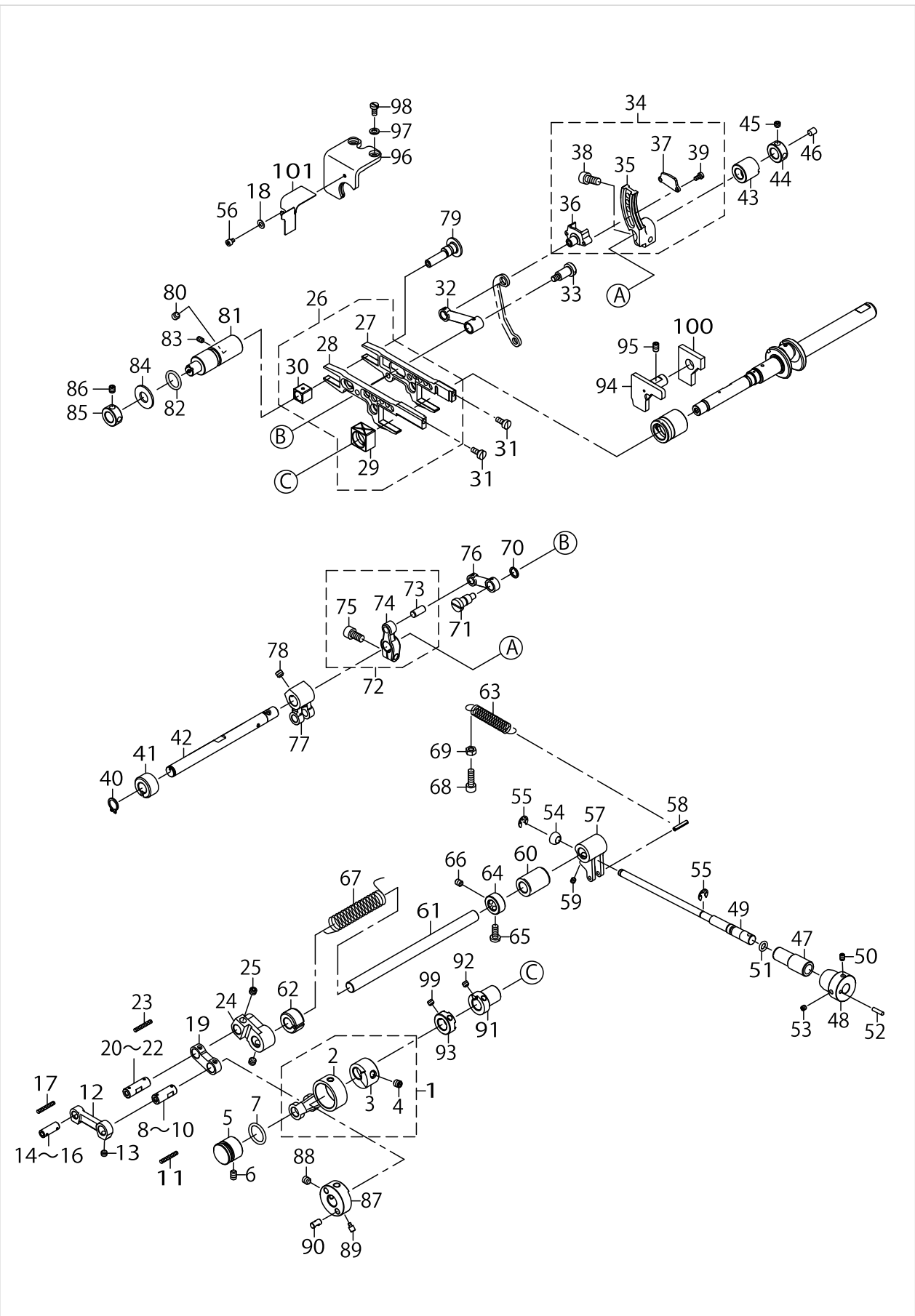
NEEDLE BAR & PRESSER COMPONENTS



NEEDLE BAR & PRESSER COMPONENTS

No.	Supply Code	Parts No.	Replacement	Parts name	Remarks	Choice	Step	Level	Cons	Qty	Rep. QTY
47	R	13311006	13311253	ECCENTRIC PIN				*		1	1.00
48	R	13311204	13311253	CONNECTING ROD				*		1	1.00
49	D	SB30800110A		BEARING	SELECTIVE PARTS			*		1	
50		SB30800110B		BEARING	SELECTIVE PARTS			*		1	
51		SB30800110C		BEARING	SELECTIVE PARTS			*		1	
52		SB30800110D		BEARING	SELECTIVE PARTS			*		1	
53		SM6041000SP		SCREW M4 L=10				*		1	
54		13311303		NEEDLE BAR CLAMP				*		1	
55		13312103		THRUST WASHER	SELECTIVE PARTS					1	
56		13312202		THRUST WASHER	SELECTIVE PARTS					1	
57		13312301		THRUST WASHER	SELECTIVE PARTS					1	
58		13311501		SLIDE BLOCK						1	
59		SM6051202TP		SCREW M5X0.8 L=12						3	
60		13326806		NEEDLE BAR EYELET						1	
61		SM4030855SN		SCREW M3 L=8.0						1	
62		13311956		ASSY BUSHING NB						1	
63	R	13311907	13311956	BUSHING NB LOWER				*		1	1.00
64	R	13311808	13311956	BUSHING NB UPPER				*		1	1.00
65		13311451		NEEDLE BAR ASSY				*		1	
66		70001500		BUSHING LIFTER REAR						1	
67		13311600		NEEDLE BAR GUIDE						1	

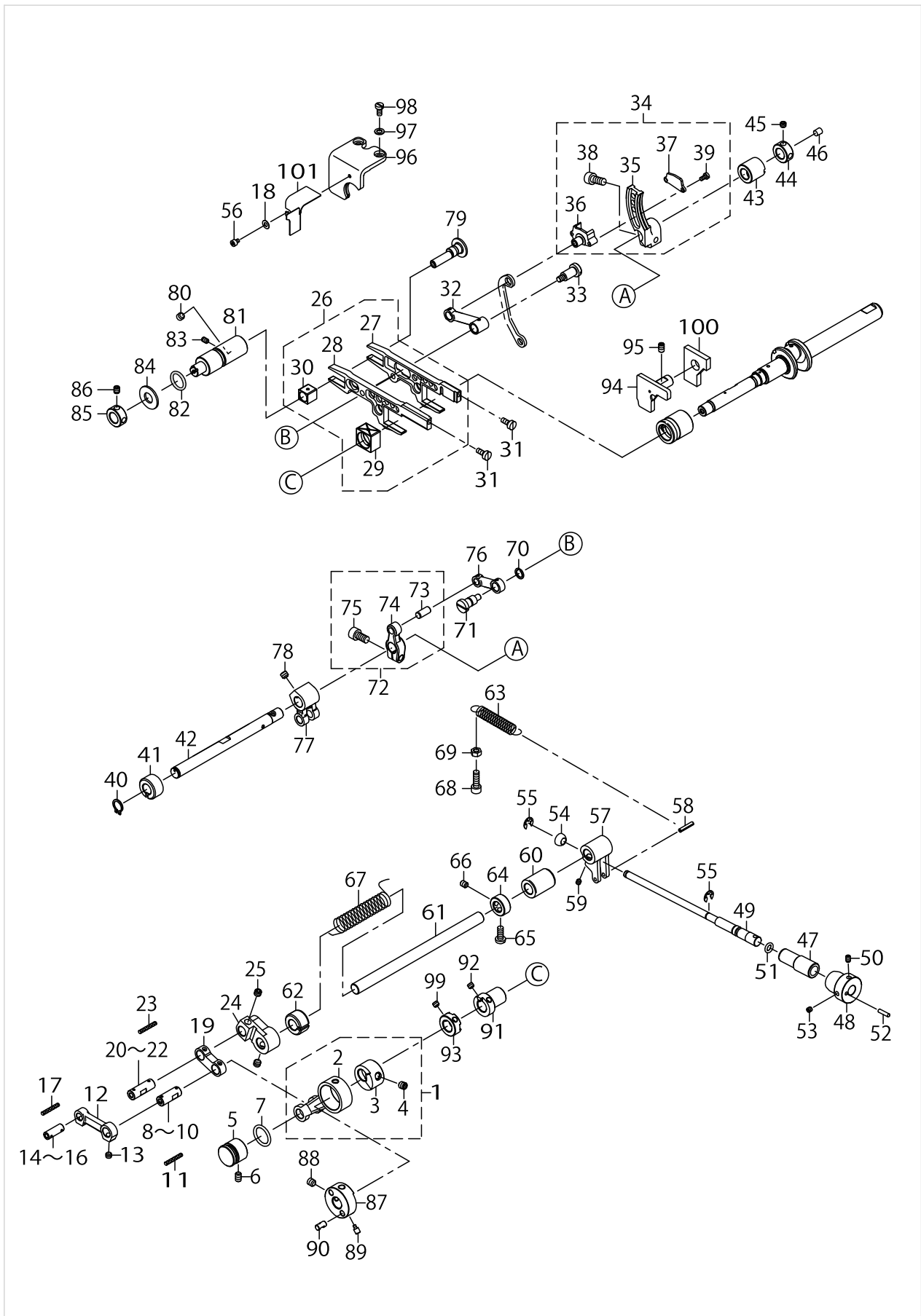
FEED DRIVE COMPONENTS (1)



FEED DRIVE COMPONENTS (1)

No.	Supply Code	Parts No.	Replacement	Parts name	Remarks	Choice	Step	Level	Cons	Qty	Rep. QTY
1		70001521		FEED ECCENTRIC HORIZON ASSY						1	
2		70001505		CRNAK ROD				*		1	
3	R	70001522	70001521	FEED ECCENTRIC HORIZON				*		1	1.00
4		SM8060612TP		SCREW M6 L=6				*		2	
5		13323803		CRANK ROD GUIDE						1	
6		SM8050812TP		SCREW M5X8						1	
7		RO158240100		O-RING						1	
8		13323308		FEED ADJ LINK PIN A	SELECTIVE PARTS					1	
9		13323407		FEED ADJ LINK PIN B	SELECTIVE PARTS					1	
10		13323506		FEED ADJ LINK PIN C	SELECTIVE PARTS					1	
11		CQ303000000		COTTON OIL WICK D=3						.07	
12		13317201		MAIN FEED DRIVE LINK						1	
13		SM8050612TP		SCREW M5X6						2	
14		13318704		MAIN FEED CRANK PIN A	SELECTIVE PARTS					1	
15		13318803		MAIN FEED CRANK PIN B	SELECTIVE PARTS					1	
16		13318902		MAIN FEED CRANK PIN C	SELECTIVE PARTS					1	
17		CQ303000000		COTTON OIL WICK D=3						.04	
18		WP0370316SD		WASHER 3.7X8X0.3						1	
19		13317300		ADJUST LINK						1	
20		13317409		FEED ADJ LINK PIN A	SELECTIVE PARTS					1	
21		13317508		FEED ADJ LINK PIN B	SELECTIVE PARTS					1	
22		13317607		FEED ADJ LINK PIN C	SELECTIVE PARTS					1	
23		CQ303000000		COTTON OIL WICK D=3						.08	
24		13317706		MAIN FEED ADJ LEVER						1	
25		SM8060552TP		SCREW M6 L=5						2	
26		70001528		FEED BAR ASSY						1	
27	R	70001959	70001528	MAIN FEED BAR				*		1	1.00
28	R	13321708	13321658	DIFF FEED BAR				*		1	1.00
29		70001509		SLIDE BLOCK				*		1	
30	R	13322409	13321658	SLIDE BLOCK				*		1	1.00
31		SM6041000SP		SCREW M4 L=10						2	
32		13319702		DIFF FEED LINK						1	
33		SD0801326TH		SHOULDER SCREW D=8 H=13.2						1	
34		13319959		DIFFDRIVEARM ASSY						1	
35	R	13319900	13319959	DIFF DRIVE ARM				*		1	1.00
36		13320007		DIFF FEED PIN				*		1	
37		13320106		DIFF FEED PIN PLATE				*		1	
38		SM6061402TP		SCREW M6 L=14				*		1	
39		SM6030600SP		SCREW M3X0.5 L=6				*		2	
40		RC0100001KP		C-RING 10 (9.3)						1	
41		70001510		BUSHING FEED FRONT						1	
42		13319009		ROCKER SHAFT						1	
43		70001511		BUSHING FEED REAR						1	
44		CS1000881TP		THRUST COLLAR D=10 W=8						1	
45		SM8050612TP		SCREW M5X6						2	
46		TA0500601M0		PLUG D=5X5.4 L=6						1	

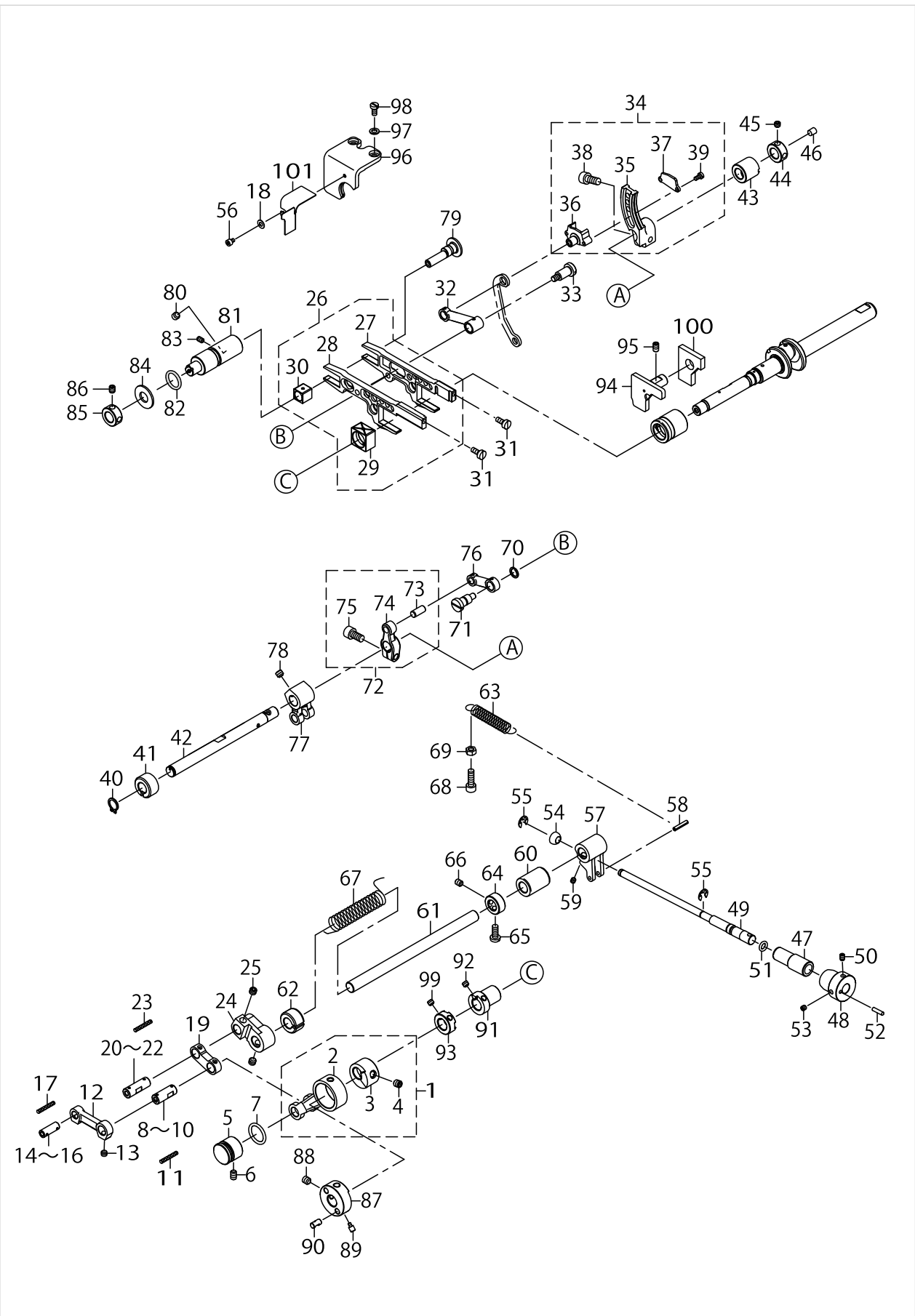
FEED DRIVE COMPONENTS (1)



FEED DRIVE COMPONENTS (1)

No.	Supply Code	Parts No.	Replacement	Parts name	Remarks	Choice	Step	Level	Cons	Qty	Rep. QTY
47		13318209		BUSHING FEED ADJUST						1	
48		13318001		KNOB FEED ADJUST						1	
49		13318100		SHAFT FEED ADJUST						1	
50		SM8040602TP		SCREW M4X0.7 L=6						1	
51		RO055200100		O-RING						1	
52		B3215470000		PIN						1	
53		SM8040412TP		SCREW M4X4						1	
54		13318308		STOPPER FEED ADJUST						1	
55		RE0500000K0		E-RING						2	
56		SM6030402TP		SCREW M3X0.5 L=4						1	
57		13317904		FEED ADJUST LEVER						1	
58		PS0300162KH		SPRING PIN 3X16						1	
59		SM8050612TP		SCREW M5X6						1	
60		70001512		BUSHING FEED ADJUST						1	
61		13317805		FEED ADJUST SHAFT						1	
62		70001510		BUSHING FEED FRONT						1	
63		13318506		TORSIN SPRING						1	
64		CS1000881TP		THRUST COLLAR D=10 W=8						1	
65		SM4051255SP		SCREW						1	
66		SM8050612TP		SCREW M5X6						1	
67		B2556280000		SPRING						1	
68		SM6051602TP		SCREW M5X0.8 L=16						1	
69		NM6050001SC		NUT M5X0.8 TYPE1						1	
70		RC0741013KP		C-RING 8 (7.4)						1	
71		13398409		SHOULDER SCREW						1	
72		70001513		MAIN FEED ROCKER ASSY						1	
73		13319405		MAIN FEED ROCKER PIN					*	1	
74		70001506		MAIN FEED ROCKER					*	1	
75		SM6061202TP		SCREW M6 L=12					*	1	
76		13319504		MAIN FEED LINK						1	
77		13318605		MAIN FEED CRANK						1	
78		SM80606A2TP		SCREW M6 L=6						2	
79		13322201		ECCENTRIC PIN						1	
80		SM8060552TP		SCREW M6 L=5						1	
81		13322003		FEED BAR SHAFT						1	
82		RO137230100		O-RING						1	
83		SM8040612TP		SCREW M4 L=6						1	
84		13322102		WASHER FEED BAR SHAFT						1	
85		CS1000881TP		THRUST COLLAR D=10 W=8						1	
86		SM8050612TP		SCREW M5X6						2	
87		70001523		POSITIONING CAM HORIZON						1	
88		SM8060612TP		SCREW M6 L=6						2	
89		70001524		FEED ECCENTRIC SCREW						1	
90		70001525		FEED ECCENTRIC PIN						1	
91		70001526		FEED ECCENTRIC						1	
92		SM8050412TP		SCREW M5 L=4						2	

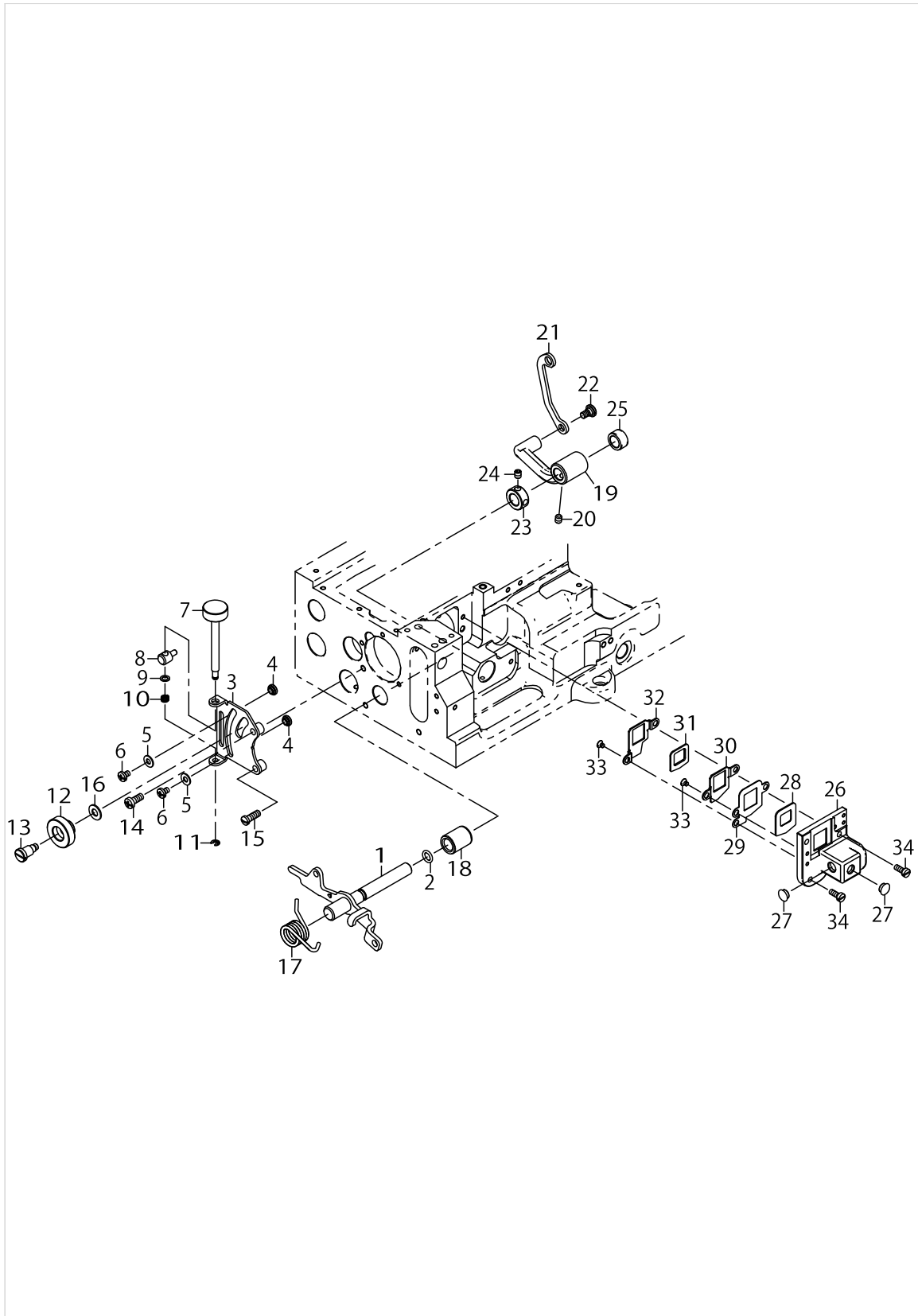
FEED DRIVE COMPONENTS (1)



FEED DRIVE COMPONENTS (1)

No.	Supply Code	Parts No.	Replacement	Parts name	Remarks	Choice	Step	Level	Cons	Qty	Rep. QTY
93		70001527		POSITIONING CAM VERTICAL						1	
94		70001507		FEED BAR GUIDE 1						1	
95		SM8050812TP		SCREW M5X8						1	
96		70001508		FEED BAR GUIDE 2						1	
97		WP0480856SP		WASHER 4.8X8.4X0.8						2	
98		SM6040800SP		SCREW						2	
99		SM8050412TP		SCREW M5 L=4						2	
100		70001532		FELT FOR FEED BAR GUIDE						1	
101		70001533		OIL PROTECTION SHEILD						1	

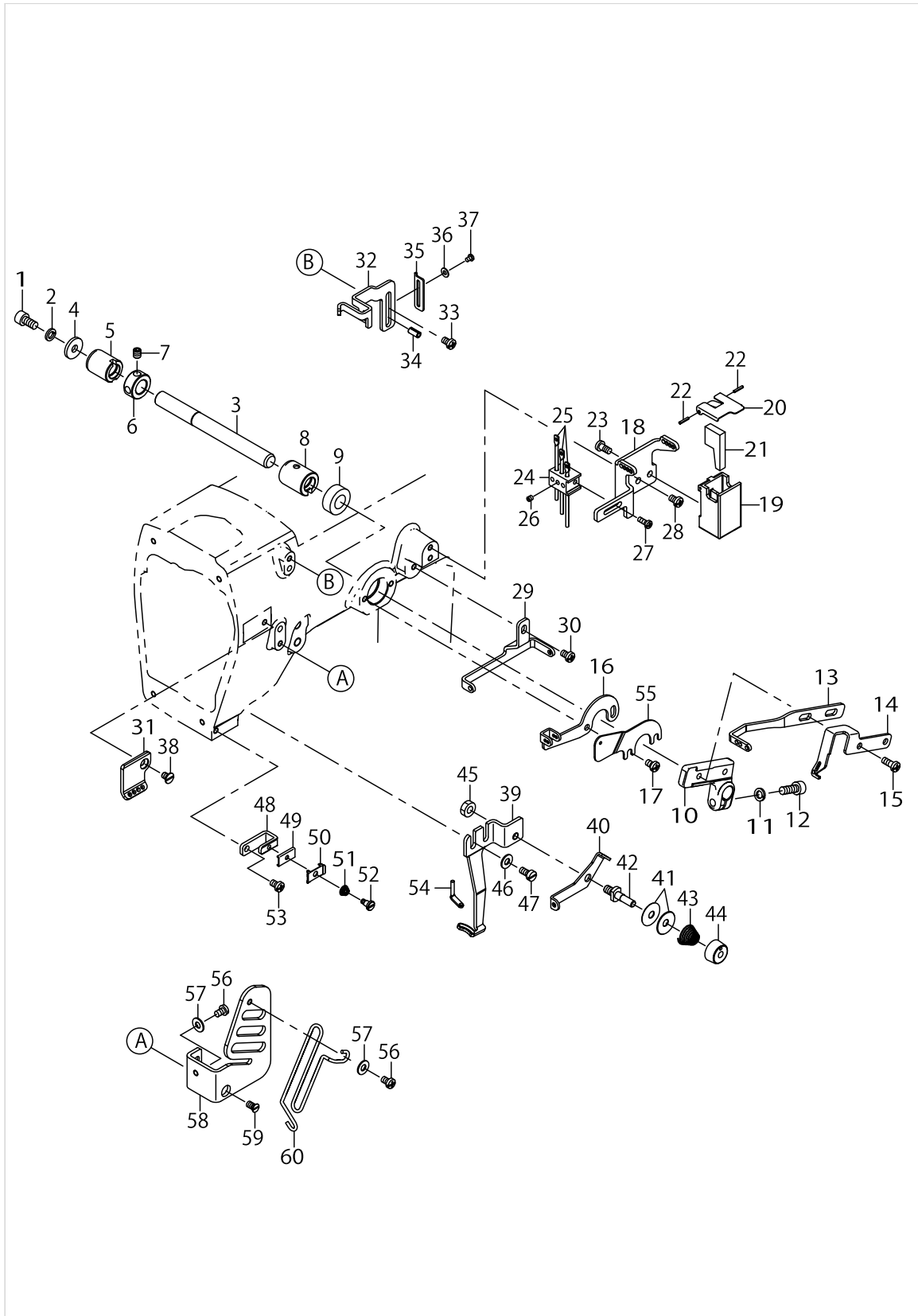
FEED DRIVE COMPONENTS (2)



FEED DRIVE COMPONENTS (2)

No.	Supply Code	Parts No.	Replacement	Parts name	Remarks	Choice	Step	Level	Cons	Qty	Rep. QTY
1		40040206		DIFF FEED LEVER ASSY						1	
2		RO068190100		O-RING						1	
3		40039630		PLATE DIFF FEED LEVER						1	
4		13321203		STOPPER DIFF ADJ						2	
5		WP0450826SC		WASHER 4.5X10X0.8						2	
6		SM5040655SN		SCREW						2	
7		70001530		SCREW						1	
8		13217708		DIFFERENTIAL FEED BLOCK						1	
9		WP0460556SD		WASHER 4.6X7.5X0.5						1	
10		13123302		ADJUSTING SPRING						1	
11		RE0300000K0		E-RING 3						1	
12		13217500		DIFFERENTIAL FEED LOCK NUT						1	
13		13217401		DIFFERENTIAL FEED HINGE SCREW						1	
14		SM4051255SP		SCREW						1	
15		SM7051460TP		SCREW M5 L=14						1	
16		WP0621016SD		WASHER 6.2X13X1						1	
17		70001531		ADJUSTING LEVER SPRING						1	
18		13320304		BUSHING DIFF ADJ LEVER						1	
19		13320403		DIFF ADJ LEVER						1	
20		SM8050612TP		SCREW M5X6						1	
21		40018443		DIFF ADJ LINK						1	
22		31013808		HINGE SCREW						1	
23		CS1000881TP		THRUST COLLAR D=10 W=8						1	
24		SM8050612TP		SCREW M5X6						2	
25		13323209		BUSHING DIFF ADJ LEVER						1	
26		70001589		NEEDLE GUARD BASE						1	
27		TA0750404R0		PLUG D=7.5 L=3.5						2	
28		70001514		FEED BAR SEAL 1					☆	1	
29		70001515		FEED BAR SEAL PLATE 1					☆	1	
30		70001516		FEED BAR SEAL PLATE 2					☆	1	
31		70001517		FEED BAR SEAL 2					☆	1	
32		70001518		FEED BAR SEAL PLATE 3					☆	1	
33		SM1030400SP		SCREW M3 L=4						3	
34		SM6041000SP		SCREW M4 L=10						3	

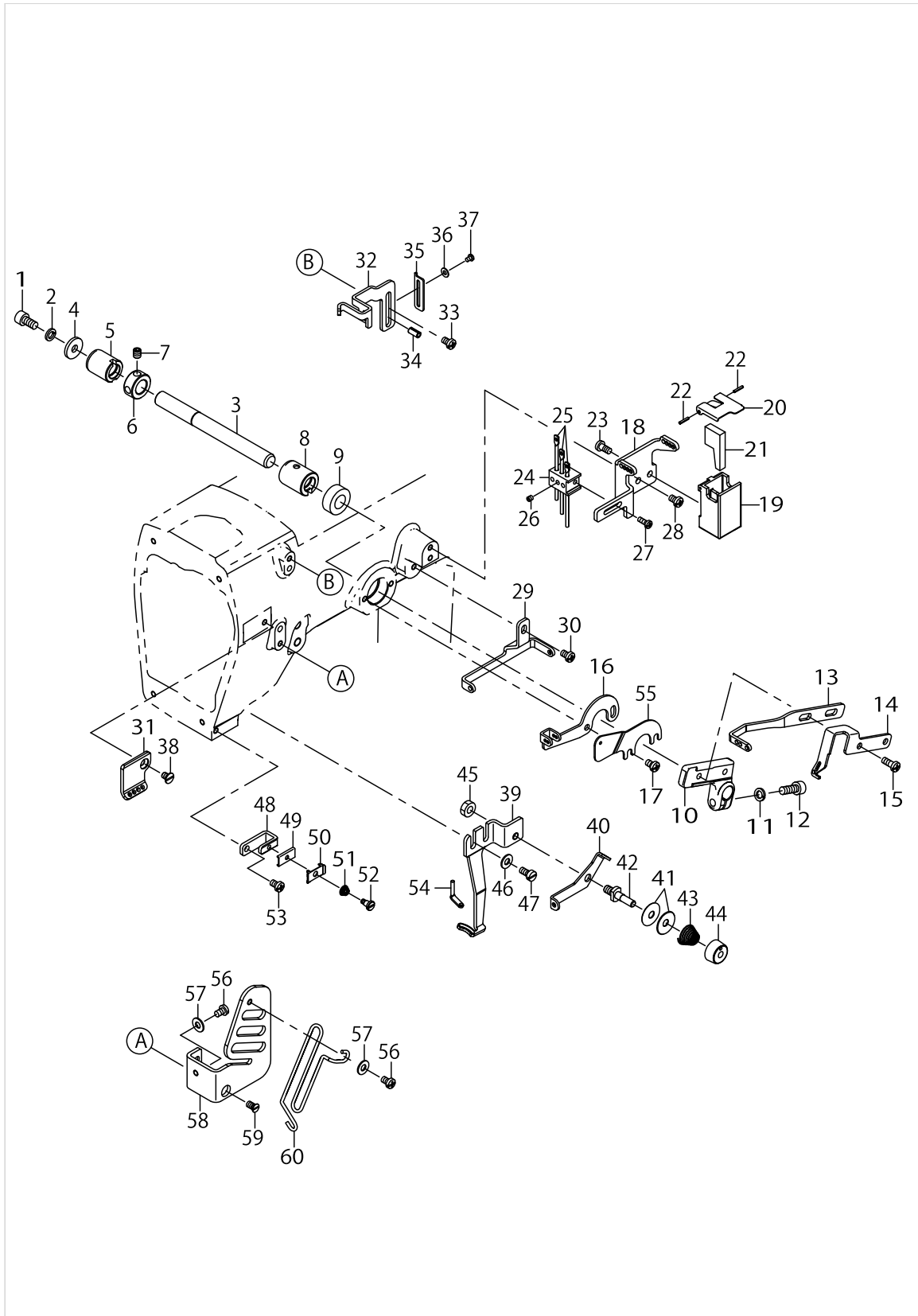
THREAD TAKE-UP LEVER COMPONENTS



THREAD TAKE-UP LEVER COMPONENTS

No.	Supply Code	Parts No.	Replacement	Parts name	Remarks	Choice	Step	Level	Cons	Qty	Rep. QTY
1		SM6051002TP		SCREW M5X0.8 L=10						1	
2		WS0510002KP		SPRING WASHER 5.1X9.2X1.3						1	
3		70001537		SHAFT						1	
4		WP0522016SH		WASHER						1	
5		13324504		BUSHING REAR						1	
6		CS1000881TP		THRUST COLLAR D=10 W=8						1	
7		SM8050612TP		SCREW M5X6						2	
8		13324603		BUSHING FRONT						1	
9		23612609		FEED CHANGING SHAFT OIL SEAL						1	
10		13324702		HOLDER TAKE UP EYELET						1	
11		WS0510002KN		SPRING WASHER M5						1	
12		SM6051402TP		SCREW M5X0.8 L=14						1	
13		70001548		NDL THD TAKE UP						1	
14		13324900		UP LPR THREAD TAKE UP						1	
15		SM4041055SP		SCREW						2	
16		13325006		THREAD GUIDE						1	
17		SM4040655SP		SCREW M4 L=6						2	
18		70001540		THREAD TENSION GUIDE						1	
19		13348008		TANK						1	
20		70001546		SILICONE OIL TANK COVER						1	
21		B9214850000		HEAT REMOVING FELT						1	
22		PS0150082KH		SPRING PIN 1.5X8						2	
23		ST4040851SN		TAPPING SCREW M4X8						2	
24		13325204		HOLDER						1	
25	R	30391601	40074316	NEEDLE THREAD EYELET						3	1.00
26		SM8030312TP		SCREW M3 L=3						3	
27		SM4030855SN		SCREW M3 L=8.0						1	
28		SM4040655SP		SCREW M4 L=6						2	
29		70001541		THREAD GUIDE						1	
30		SM4040655SP		SCREW M4 L=6						1	
31		70001542		THREAD GUIDE						1	
32		70001543		NDL THD STRIKE OFF						1	
33		SM4040655SP		SCREW M4 L=6						1	
34		PS0400082KP		SPRING PIN TYPE W 4X8						1	
35		13326905		NDL THD STRIKE OFF R						1	
36		WP0280501SC		WASHER M2.6						1	
37		SM48504C5SP		SCREW						1	
38		SM1040650TP		SCREW						1	
39		13326301		THREAD GUIDE UPPER LPR						1	
40		13326400		THREAD GUIDE						1	
41		22945802		THREAD TENSION DISK						2	
42		13326509		TENSION POST						1	
43		22945505		THREAD TENSION SPRING						1	
44		13326608		TENSION NUT						1	
45		NM6050001SC		NUT M5X0.8 TYPE1						1	
46		WP0450826SC		WASHER 4.5X10X0.8						2	

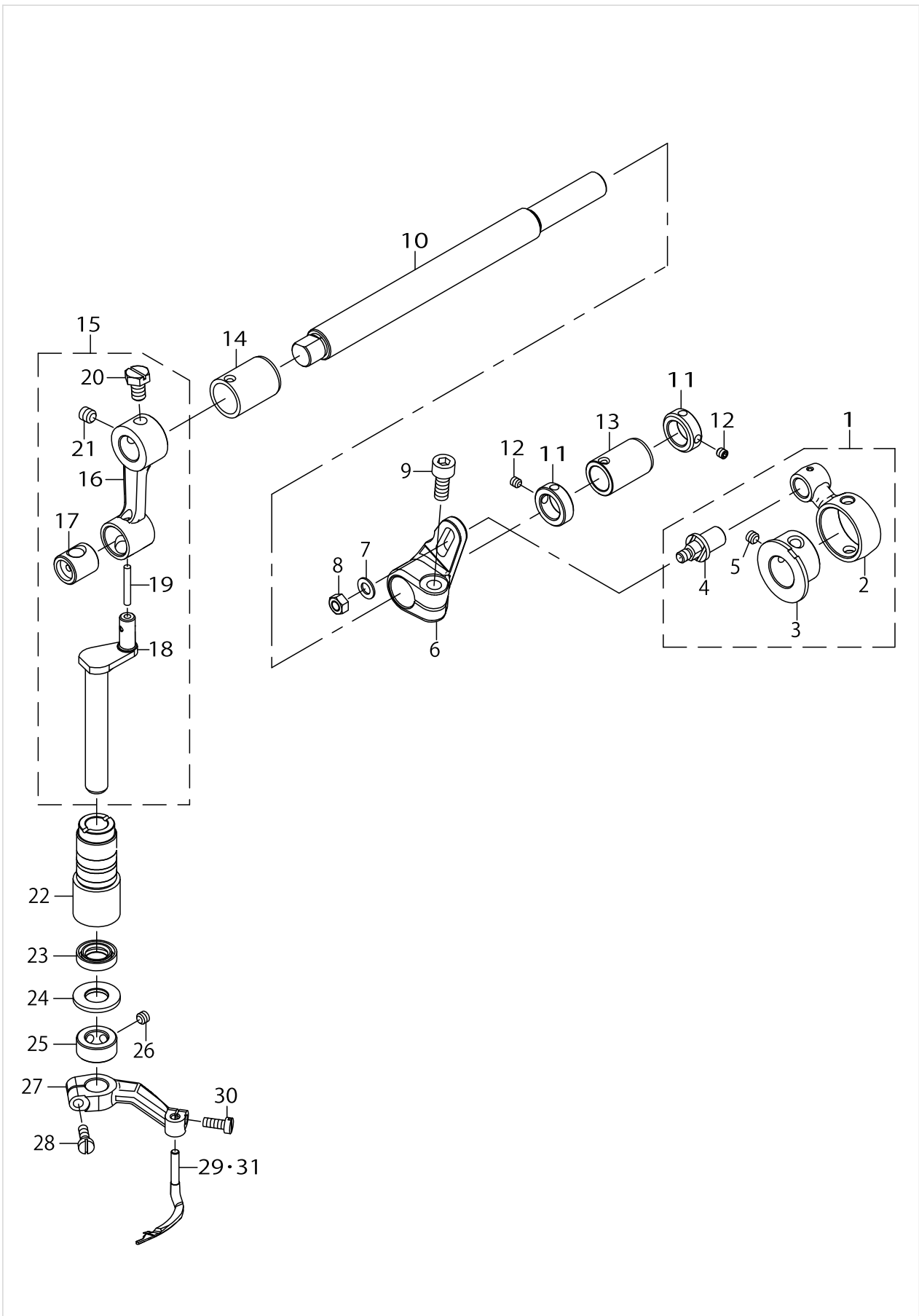
THREAD TAKE-UP LEVER COMPONENTS



THREAD TAKE-UP LEVER COMPONENTS

No.	Supply Code	Parts No.	Replacement	Parts name	Remarks	Choice	Step	Level	Cons	Qty	Rep. QTY
47		SM6040800SP		SCREW						2	
48		13325808		NIPPER PLATE SUPPORT						1	
49		13325907		NIPPER PLATE						1	
50		13326004		NIPPER GUIDE PLATE						1	
51		13326103		SPRING						1	
52		13326202		SHOULDER SCREW						1	
53		SM4040655SP		SCREW M4 L=6						1	
54		13326707		THREAD GUIDE					☆	1	
55		40085995		FINGER GUARD						1	
56		SM40405C5SP		SCREW						2	
57		WP0450801SC		WASHER 4.5X10X0.8						2	
58		70001544		TAKE UP COVER						1	
59		SM1040750TP		SCREW M4 L=7						1	
60		70001545		FINGER GUARD						1	

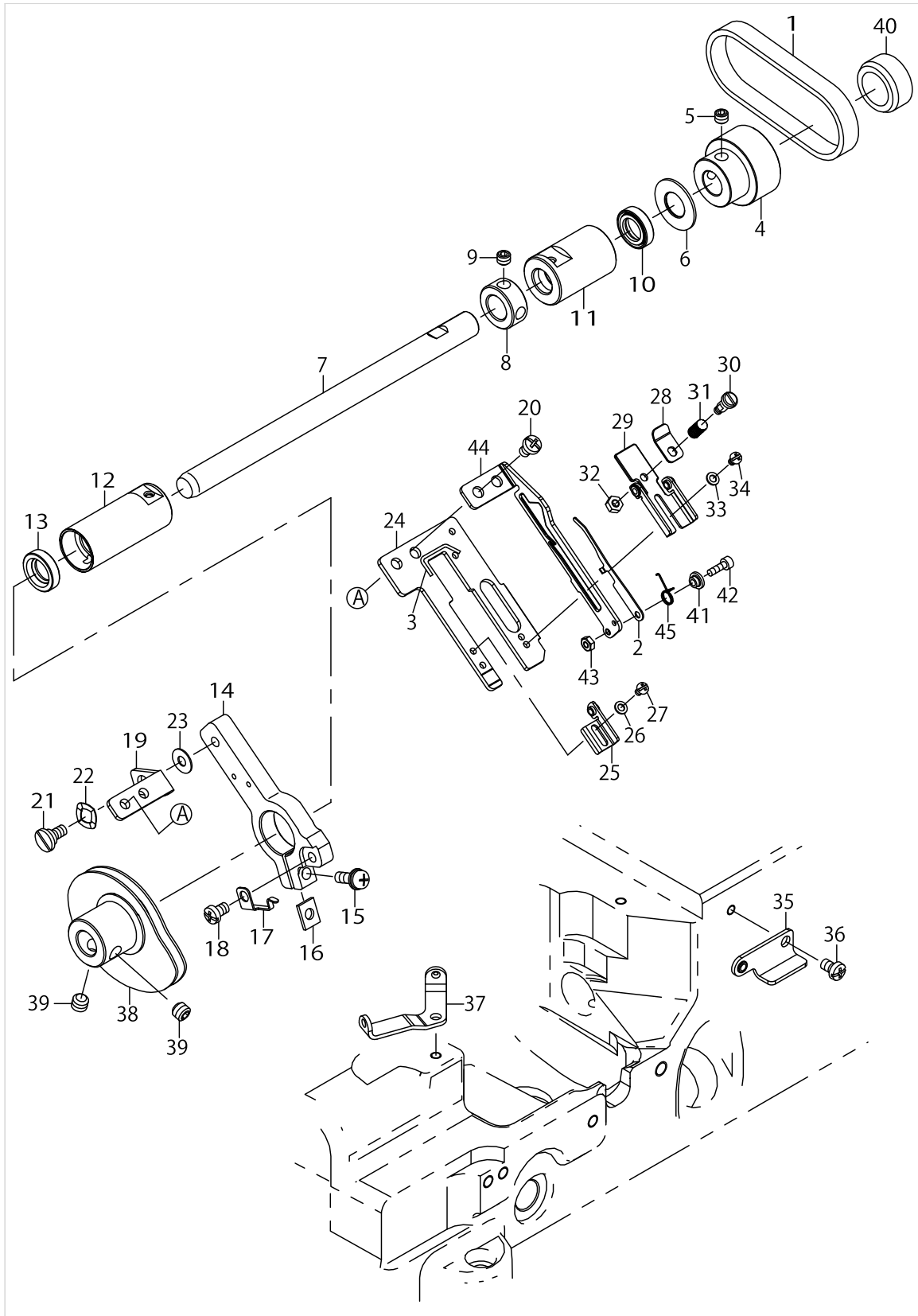
SPREADER COMPONENTS



SPREADER COMPONENTS

No.	Supply Code	Parts No.	Replacement	Parts name	Remarks	Choice	Step	Level	Cons	Qty	Rep. QTY
1		13328158		ASSY UPPER LPR MECH						1	
2		13328109		CONNROD FOR UPPER LPR				*		1	
3		13328000		UPPER LOOPER ECCENTRIC				*		1	
4		13328208		STUD				*		1	
5		SM8050412TP		SCREW M5 L=4				*		2	
6		70001555		DRIVING ARM						1	
7		WP0550800SP		WASHER 5.5X10X0.8						1	
8		NM6050001SC		NUT M5X0.8 TYPE1						1	
9		SM6061402TP		SCREW M6 L=14						1	
10		70001558		UPPER LOOPER SHAFT						1	
11		13399209		COLLAR						2	
12		SM8040412TP		SCREW M4X4						4	
13		13329008		BUSHING REAR						1	
14		70001559		BUSHING_FRONT						1	
15		13328554		ASSY UPPER LPR MECH 2						1	
16		13328505		CRANK ROD				*		1	
17		13328604		UPPER LOOPER ROCKER				*		1	
18		13328703		UP LPR SHAFT VERTICAL				*		1	
19		CQ303000000		COTTON OIL WICK D=3				*		0.05	
20		SM9061050TP		SCREW M6 L=10				*		1	
21		SM8060612TP		SCREW M6 L=6				*		1	
22		13329206		BUSHING VERTICAL						1	
23		13338900		OIL SEAL						1	
24		WP1022016SH		WASHER						1	
25		GS1000881TP		THRUST COLLAR D=10 W=8						1	
26		SM8050412TP		SCREW M5 L=4						2	
27		13328802		UPPER LOOPER HOLDER						1	
28		SM6041200SP		SCREW M4 L=12					☆	1	
29		70004223		UPPER_LOOPER	EXCEPT T- YPE TURKEY				☆	1	
30		SM6041000SP		SCREW M4 L=10					☆	1	
31		70004224		UPPER_LOOPER	TYPE TURKEY				☆	1	

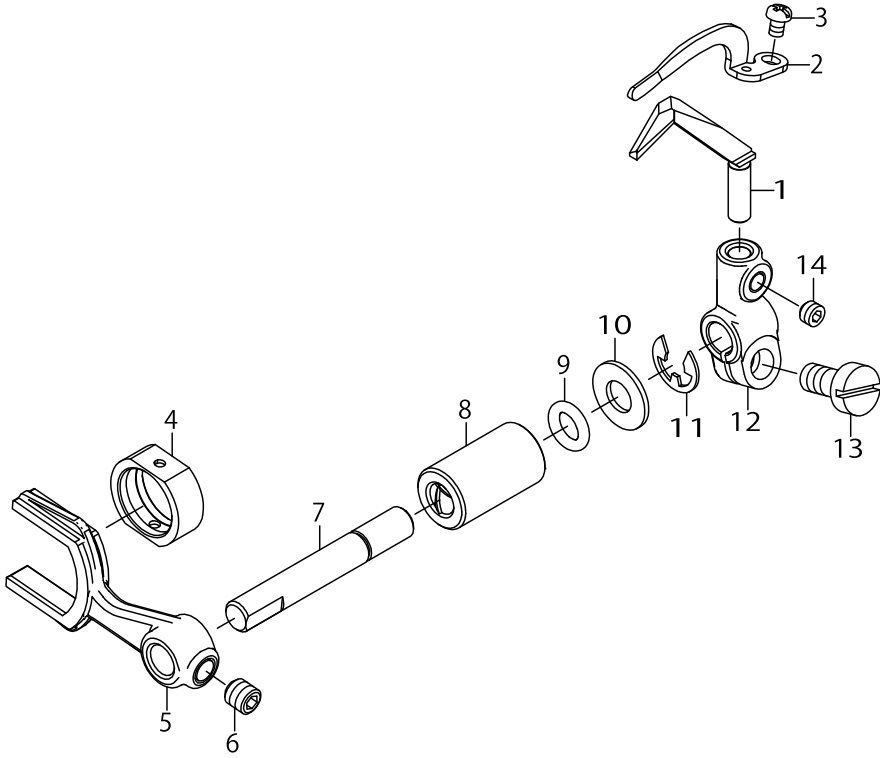
LOWER THREAD CAM COMPONENTS



LOWER THREAD CAM COMPONENTS

No.	Supply Code	Parts No.	Replacement	Parts name	Remarks	Choice	Step	Level	Cons	Qty	Rep. QTY
1		70001987		BELT TAKE UP						1	
2		70001582		THREAD GUIDE PLATE						1	
3		40087068		CAM THREAD CATCH						1	
4		70001580		SPROCKET TAKE UP						1	
5		SM8050612TP		SCREW M5X6						2	
6		70001581		WASHER						1	
7		70001572		SHAFT TAKE UP						1	
8		CS1000881TP		THRUST COLLAR D=10 W=8						1	
9		SM8050612TP		SCREW M5X6						2	
10		40023441		OIL SEAL						1	
11		70001573		BUSHING A TAKE UP						1	
12		40023481		BUSHING B TAKE UP						1	
13		40023441		OIL SEAL						1	
14		13332309		BASE TAKEUP PLATE						1	
15		SL4041281SC		SCREW M4 L=12						1	
16		13333208		WASHER					☆	1	
17		13332903		SPRING					☆	1	
18		SM4040655SP		SCREW M4 L=6						1	
19		13332804		BRACKET						1	
20		SM4040655SP		SCREW M4 L=6						2	
21		SD064024CSP		SHOULDER SCREW D=6.35 H=2.4						1	
22		WZ0641510KP		WAVED WASHER 6.4X11X0.3						1	
23		WP0410516SD		PLAIN WASHER						1	
24		70001579		TAKE UP PLATE						1	
25		40100791		EYELET A ASSY					☆	1	
26		WP0280500SC		WASHER						1	
27		SM48504C5SP		SCREW						1	
28		13333307		LPR THD DISC UPPER						1	
29		40100793		LPR THD GUIDE BASE ASSY					☆	1	
30		13333505		TENSION POST						1	
31		13333604		LOOPERCAMSPRING						1	
32		NM6030001SC		NUT M3X0.5 TYPE1						1	
33		WP0280500SC		WASHER						1	
34		SM4850455SP		SCREW						1	
35		70001575		EYELET C ASSY						1	
36		SM4040655SP		SCREW M4 L=6						1	
37		13333703		EYELET D						1	
38		40019335		ASSY TAKE UP					☆	1	
39		SM8060552TP		SCREW M6 L=5						2	
40		TA2101002R0		RUBBER PLUG						1	
41		70001584		SPRING COLLAR						1	
42		SM6850802TN		SCREW M2.5 L=8						1	
43		NM6850001SC		NUT M2.5X0.45 TYPE1						1	
44		70001585		THREAD GUIDE						1	
45		70001583		THREAD GUIDE PLATE SPRING					☆	1	

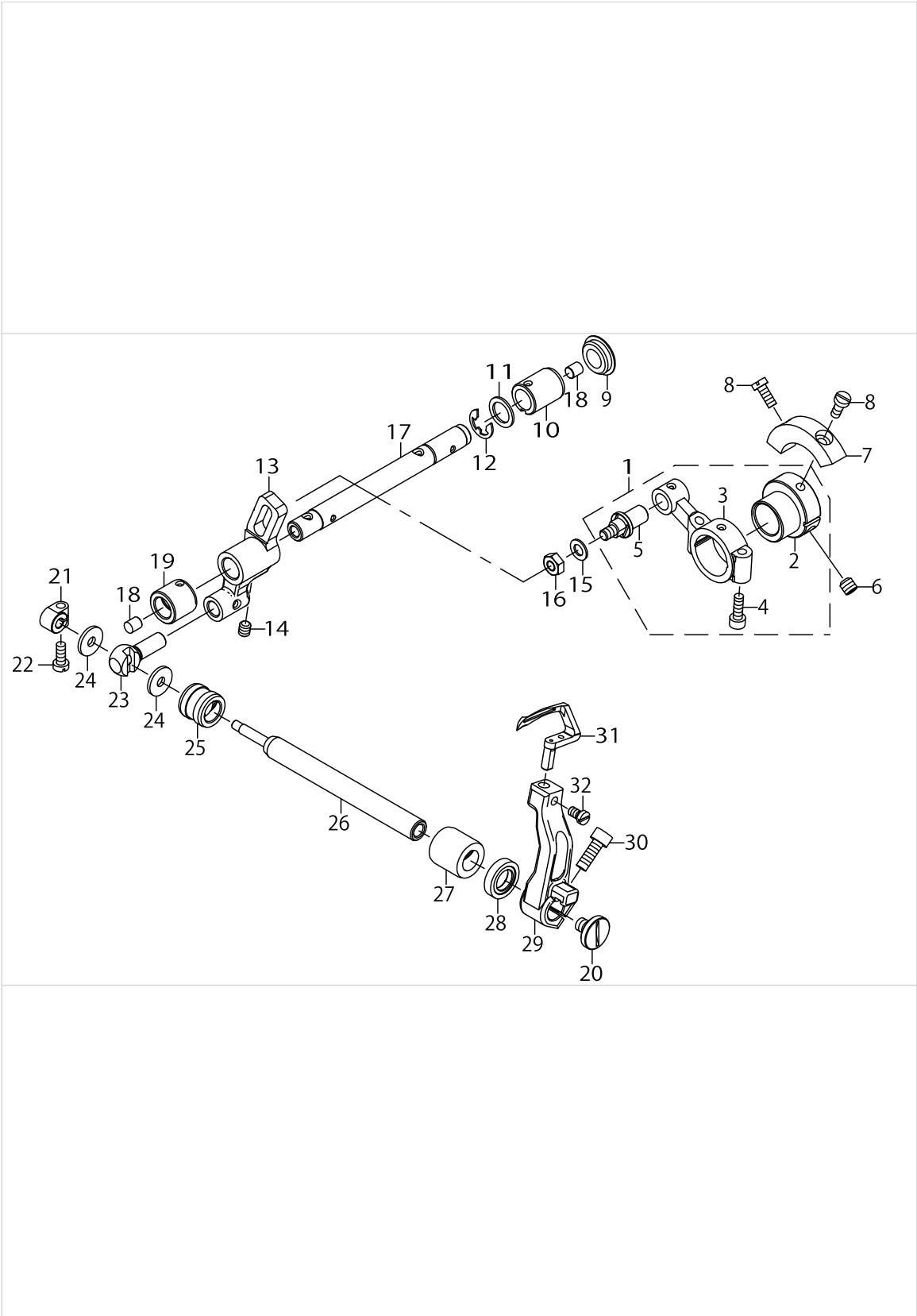
NEEDLE GUARD COMPONENTS



NEEDLE GUARD COMPONENTS

No.	Supply Code	Parts No.	Replacement	Parts name	Remarks	Choice	Step	Level	Cons	Qty	Rep. QTY
1		40052924		REARNEEDLE GUARD					☆	1	
2		13334701		FRONT NDL GUARD					☆	1	
3		SM4850455SP		SCREW						1	
4		70001592		NEEDLE GUARD BLOCK						1	
5		70001587		FORKNEEDLE GUARD						1	
6		SM8050612TP		SCREW M5X6						1	
7		70001590		NEEDLE GUARD SHAFT						1	
8		70001591		BUSHING NEEDLE GUARD						1	
9		RO055200100		O-RING						1	
10		WP0621016SD		WASHER 6.2X13X1						1	
11		RE0500000K0		E-RING						1	
12		70001588		REAR NEEDLE GUARD HOLDER						1	
13		SM6051000SP		SCREW						1	
14		SM8040312TP		SCREW M4 L=3						1	

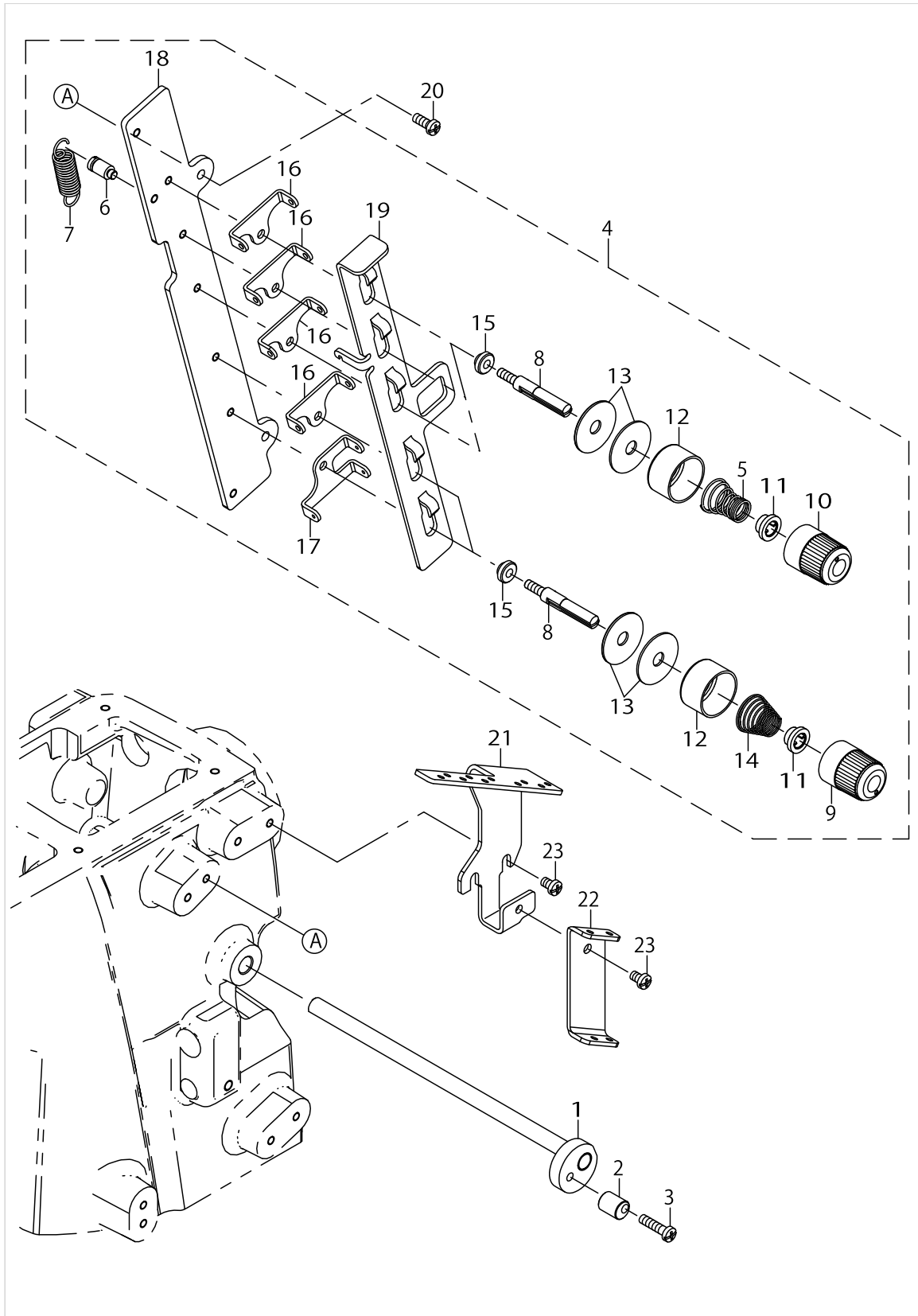
LOOPER COMPONENTS



LOOPER COMPONENTS

No.	Supply Code	Parts No.	Replacement	Parts name	Remarks	Choice	Step	Level	Cons	Qty	Rep. QTY
1		13337357		ECC LOOPER AVOID ASSY						1	
2	R	13337308	13337357	ECC LOOPER AVOID				*		1	1.00
3	R	13337407	13337357	LOOPER ROD AVOID				*		1	1.00
4		SM6041202TP		SCREW M4X0.7 L=12				*		2	
5		13337506		PIN LOOPER AVOID				*		1	
6		SM8060612TP		SCREW M6 L=6						2	
7		13338801		BALANCE WEIGHT LP						1	
8		SM6041000SP		SCREW M4 L=10						2	
9		TA1600406R0		PRUG						1	
10		70001601		BUSHING LPR RIGHT						1	
11		WP1021026SH		WASHER						1	
12		RE0700000K0		E-RING 7						1	
13		13337605		CRANK LOOPER AVOID						1	
14		SM8050612TP		SCREW M5X6						1	
15		WP0550800SP		WASHER 5.5X10X0.8						1	
16		NM6050001SC		NUT M5X0.8 TYPE1						1	
17		13338504		LOOPER SHAFT AVOID						1	
18		TA0500601M0		PLUG D=5X5.4 L=6						2	
19		70001602		BUSHING LPR LEFT						1	
20		40052522		SCREW						1	
21		13337704		COLLAR LOOPER AVOID						1	
22		SM6041000SP		SCREW M4 L=10						1	
23		13337803		LOOPER AVOID PIN						1	
24		WP0461516SH		WASHER						2	
25		70001603		BUSHING LPR SHAFT REAR						1	
26		40050448		LOOPER SHAFT						1	
27		70001604		BUSHING LPR SHAFT FRONT						1	
28		13338900		OIL SEAL						1	
29		40050449		LOOPER HOLDER					☆	1	
30		SM6051402TP		SCREW M5X0.8 L=14						1	
31		13337902		LOOPER					☆	1	
32		SM6040750TP		SCREW M4 L=7						1	

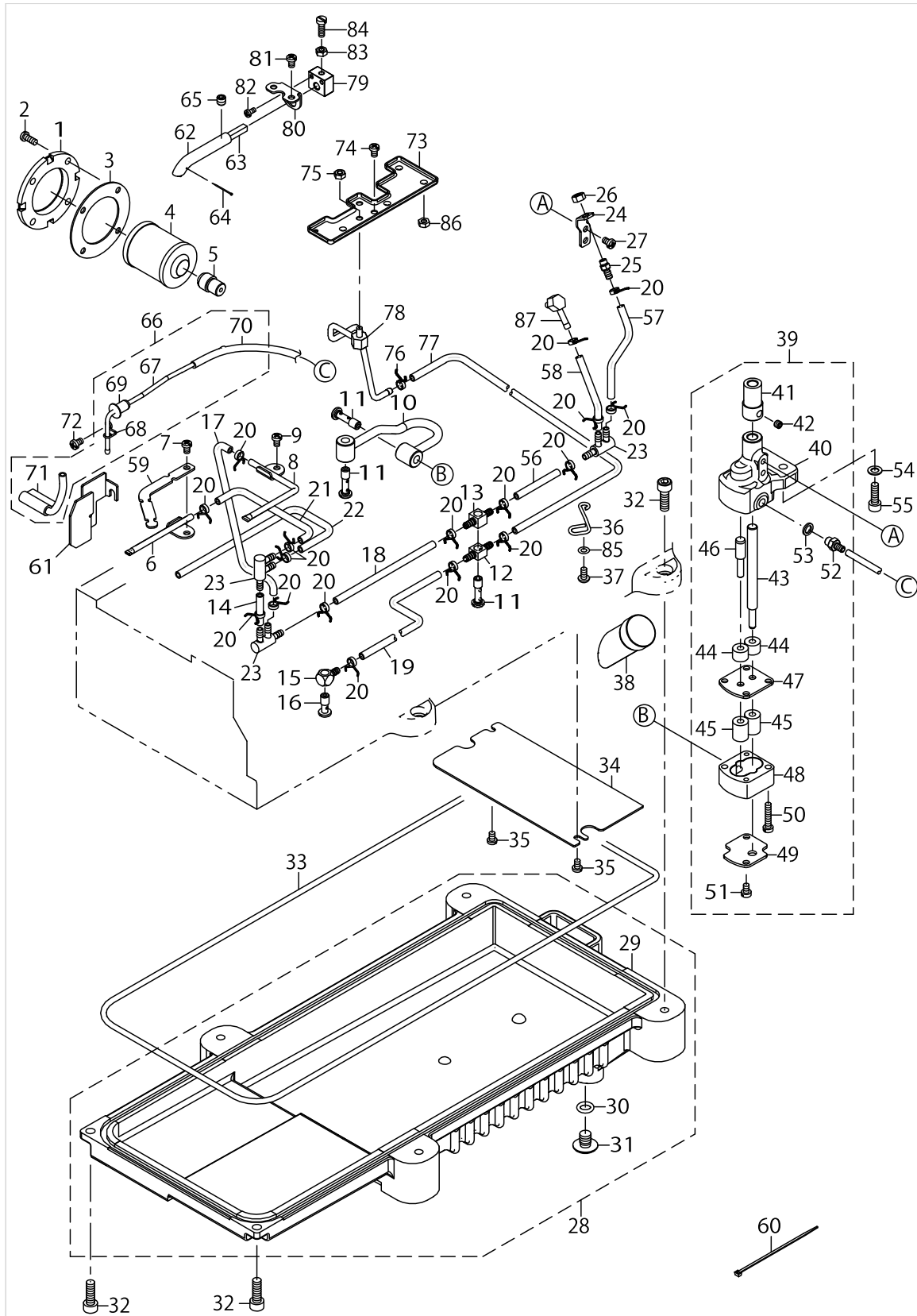
THREAD TENSION COMPONENTS



THREAD TENSION COMPONENTS

No.	Supply Code	Parts No.	Replacement	Parts name	Remarks	Choice	Step	Level	Cons	Qty	Rep. QTY
1		70001610		ASSY PULL OFF LEVER						1	
2		40065785		TENS RELEASE ADJ ECC						1	
3		SM4041655SP		SCREW M4 L=16						1	
4		70001612		THREAD TENSION ASSY						1	
5		13140504		TENSION SPRING				*		3	
6		13340302		SHOULDER SCREW				*		1	
7	D	26019000		THREAD TENSION SPRING				*		1	
8		70001620		TENSION POST				*		5	
9		40042363		KNOB				*		2	
10		40042364		KNOB GREEN				*		3	
11		40042365		SPRING BUSHING				*		5	
12		40042366		THREAD TENSION DISK PRESSER				*		5	
13		40101602		THREAD TENSION DISC				*		10	
14		40102003		SPRING				*		2	
15		70001617		SPACER				*		5	
16		70001615		TENSION DISC EYELET A				*		4	
17		70001616		TENSION DISC EYELET B				*		1	
18		70001613		TENSION POST SUPPORT				*		1	
19		70001614		TENSION DISC SEPARATOR				*		1	
20		SM4041055SP		SCREW						2	
21		13340005		THREAD GUIDE PLATE						1	
22		13340104		THREAD GUIDE						1	
23		SM4040655SP		SCREW M4 L=6						3	

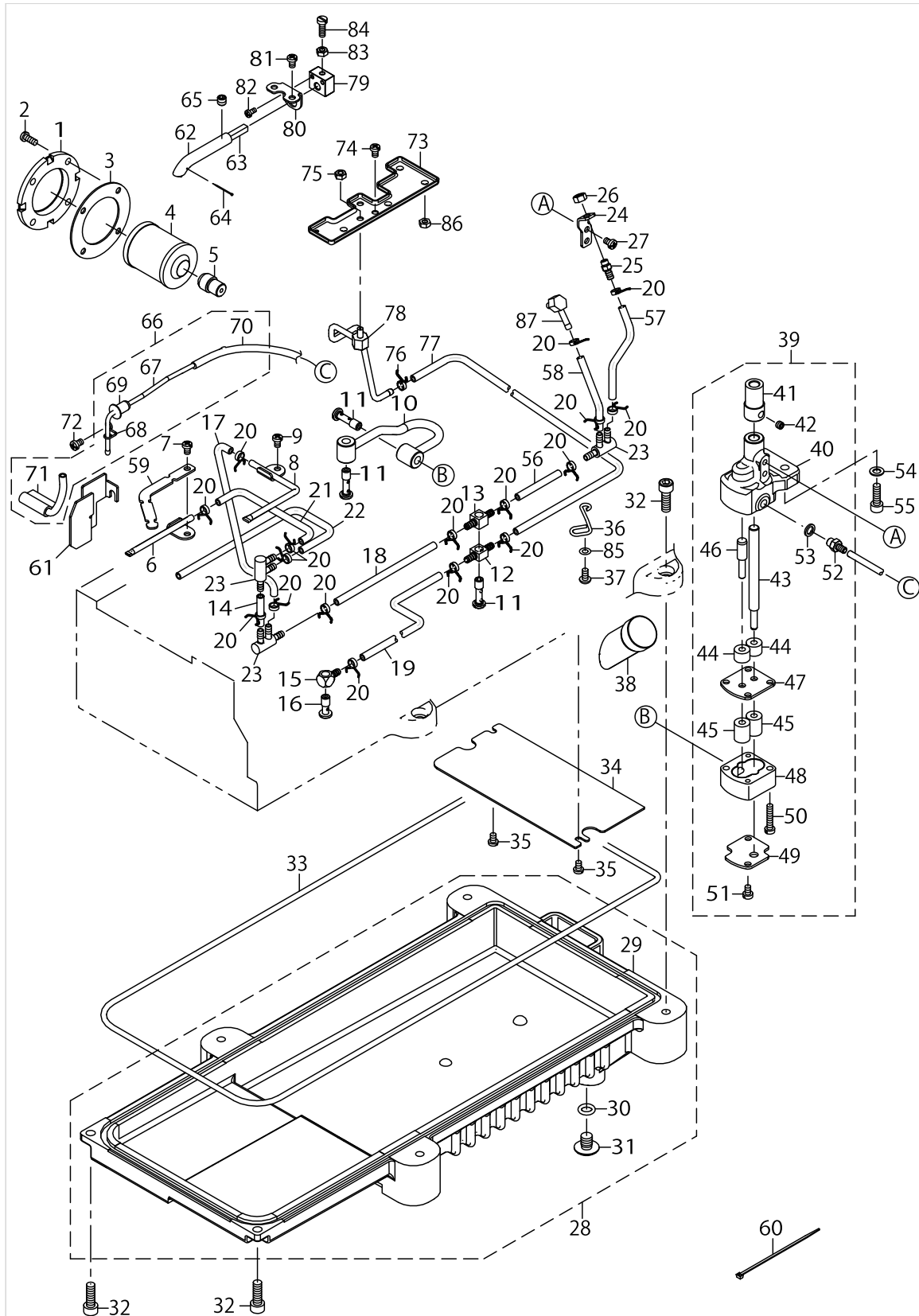
LUBRICATION COMPONENTS



LUBRICATION COMPONENTS

No.	Supply Code	Parts No.	Replacement	Parts name	Remarks	Choice	Step	Level	Cons	Qty	Rep. QTY
1		13345202		FILTER COVER						1	
2		SM4041055SP		SCREW						4	
3		13344809		GASKET O						1	
4		13142500		CARTRIDGE FILTER					☆	1	
5		13343801		FITTING FILTER						1	
6		13346556		ASSY OIL SUPPLY						1	
7		SM4040655SP		SCREW M4 L=6						1	
8		13345855		OIL SUPPLY ASSY						1	
9		SM4040655SP		SCREW M4 L=6						1	
10		70001634		ASSY OIL PIPE						1	
11		SQ2060442SD		CONNECTING SCREW						3	
12		SQ0000454MZ		CONNECTING SCREW						1	
13		SQ0000453MZ		CONNECTING SCREW						1	
14		BP30000010R		VINYL PIPE						.04	
15		SQ0000452MZ		CONNECTING SCREW						1	
16		SQ2060441SD		CONNECTING SCREW						1	
17		BP30000010R		VINYL PIPE						.12	
18		BP30000010R		VINYL PIPE						.12	
19		BP30000010R		VINYL PIPE						.19	
20		23629306		PIPE STOPPER A						17	
21		BP30000010R		VINYL PIPE						.1	
22		BP30000010R		VINYL PIPE						.2	
23		23629504		DISTRIBUTOR						3	
24		13346705		CONNECTING SCR BRACKET						1	
25		SQ2050452MZ		CONNECTING SCREW						1	
26		NM6050001SC		NUT M5X0.8 TYPE1						1	
27		SM4040655SP		SCREW M4 L=6						2	
28		40024405		ASSY OIL PAN						1	
29		13345509		OIL PAN				*		1	
30		13170105		RUBBER RING				*		1	
31	R	13171004	SM0081001SD	DRAIN SCREW				*		1	1.00
32		SM6061802TP		SCREW M6 L=18						6	
33		13345608		O RING						1	
34		13345905		COVER PLATE						1	
35		SM4040655SP		SCREW M4 L=6						2	
36		70001636		OIL TUBE HOLDER						1	
37		SM4040855SP		SCREW						1	
38		13346101		OIL SIGHT GAUGE						1	
39		13345459		ASSYPUMP2-STAGE						1	
40	R	13343108	13345459	OIL PUMP HOUSING		A	MF-7700	*		1	1.00
40	R	13343108	13426051	OIL PUMP HOUSING		B	MF-7800	*		1	1.00
41		13343009		WORM WHEEL				*		1	
42		SM8050412TP		SCREW M5 L=4				*		2	
43	R	13345400	13345459	OIL PUMP SHAFT LARGE				*		1	1.00
44		13228309		OIL PUMP PINION				*		2	
45		13228200		OIL PUMP PINION				*		2	

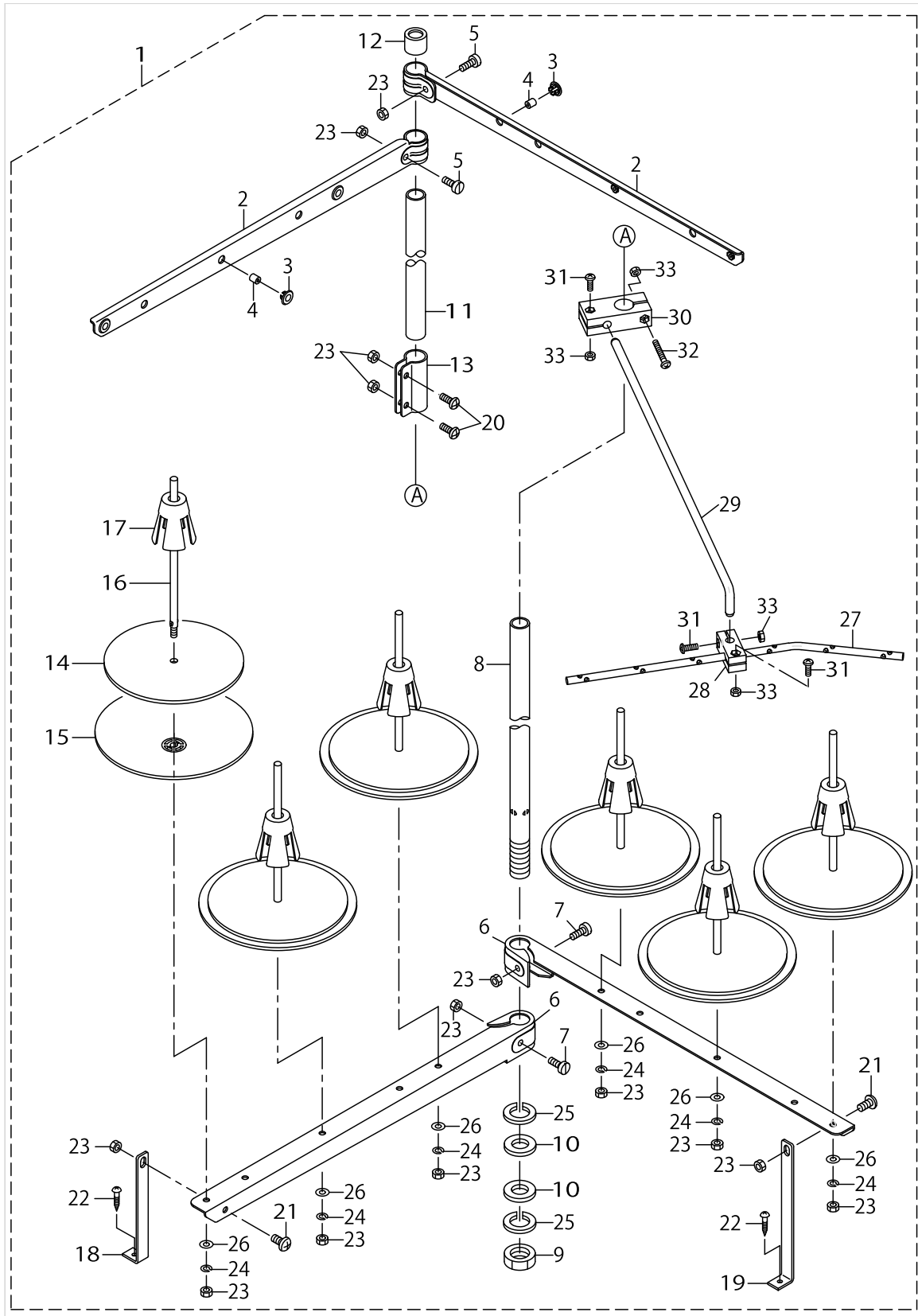
LUBRICATION COMPONENTS



LUBRICATION COMPONENTS

No.	Supply Code	Parts No.	Replacement	Parts name	Remarks	Choice	Step	Level	Cons	Qty	Rep. QTY
46		13227905		GEAR PUMP SHAFT				*		1	
47	R	13343405	13345459	OIL PUMP SPACER		A	MF-7700	*		1	1.00
47	R	13343405	13426051	OIL PUMP SPACER		B	MF-7800	*		1	1.00
48	R	13343207	13345459	OIL PUMP CASING		A	MF-7700	*		1	1.00
48	R	13343207	13426051	OIL PUMP CASING		B	MF-7800	*		1	1.00
49	R	13343306	13345459	OIL PUMP COVER		A	MF-7700	*		1	1.00
49	R	13343306	13426051	OIL PUMP COVER		B	MF-7800	*		1	1.00
50		SM6042000SP		SCREW				*		2	
51		SM6040600SP		SCREW M4 L=6				*		2	
52		SQ2060451MZ		CONNECTING SCREW				*		1	
53		40004749		GASCKET				*		1	
54		WP0550800SP		WASHER 5.5X10X0.8						2	
55		SM6051602TP		SCREW M5X0.8 L=16						2	
56		BP30000010R		VINYL PIPE						.05	
57		BP30000010R		VINYL PIPE						.14	
58		BP30000010R		VINYL PIPE						.1	
59		70001639		PIPE HOLDER						1	
60		EA9500B0100		CABLE BAND						5	
61		13343900		OIL PROTECTION SHIELD						1	
62		13343603		OIL TUBE						1	
63		70001630		FELT FOR HEAD LUB						1	
64		11856101		NEEDLE COOLER PIN						1	
65		SM8060812TP		SCREW M6 L=8						1	
66		13344056		ASSY HEAD SUCTION						1	
67		13344601		SUCTION PIPE				*		1	
68		13344502		PIPE CLAMP				*		1	
69		13344700		BUSHING FOR SUCTION				*		1	
70		23630007		TUBE				*		0.43	
71	R	13344155	13344056	ASSY HEAD SUCTION 2				*		1	1.00
72		SM4040655SP		SCREW M4 L=6						1	
73		70001631		OIL SAUCER						1	
74		SM4040655SP		SCREW M4 L=6						2	
75		NM6040000SN		NUT M4						1	
76		23629306		PIPE STOPPER A						1	
77		BP30000010R		VINYL PIPE						.5	
78		13345053		ASSY OIL SUPPLY FOR TOP						1	
79		70001632		LUBRICATION ADJUSTING BLOCK						1	
80		70001633		LUBRICATION ADJUSTING PLATE						1	
81		SM4040655SP		SCREW M4 L=6						2	
82		SM4030855SN		SCREW M3 L=8.0						2	
83		NM6040000SN		NUT M4						1	
84		SM6041200SP		SCREW M4 L=12						1	
85		WP0450801SC		WASHER 4.5X10X0.8						1	
86		NM6040000SN		NUT M4						1	
87		70001975		ASSY_OIL_SUPPLY						1	

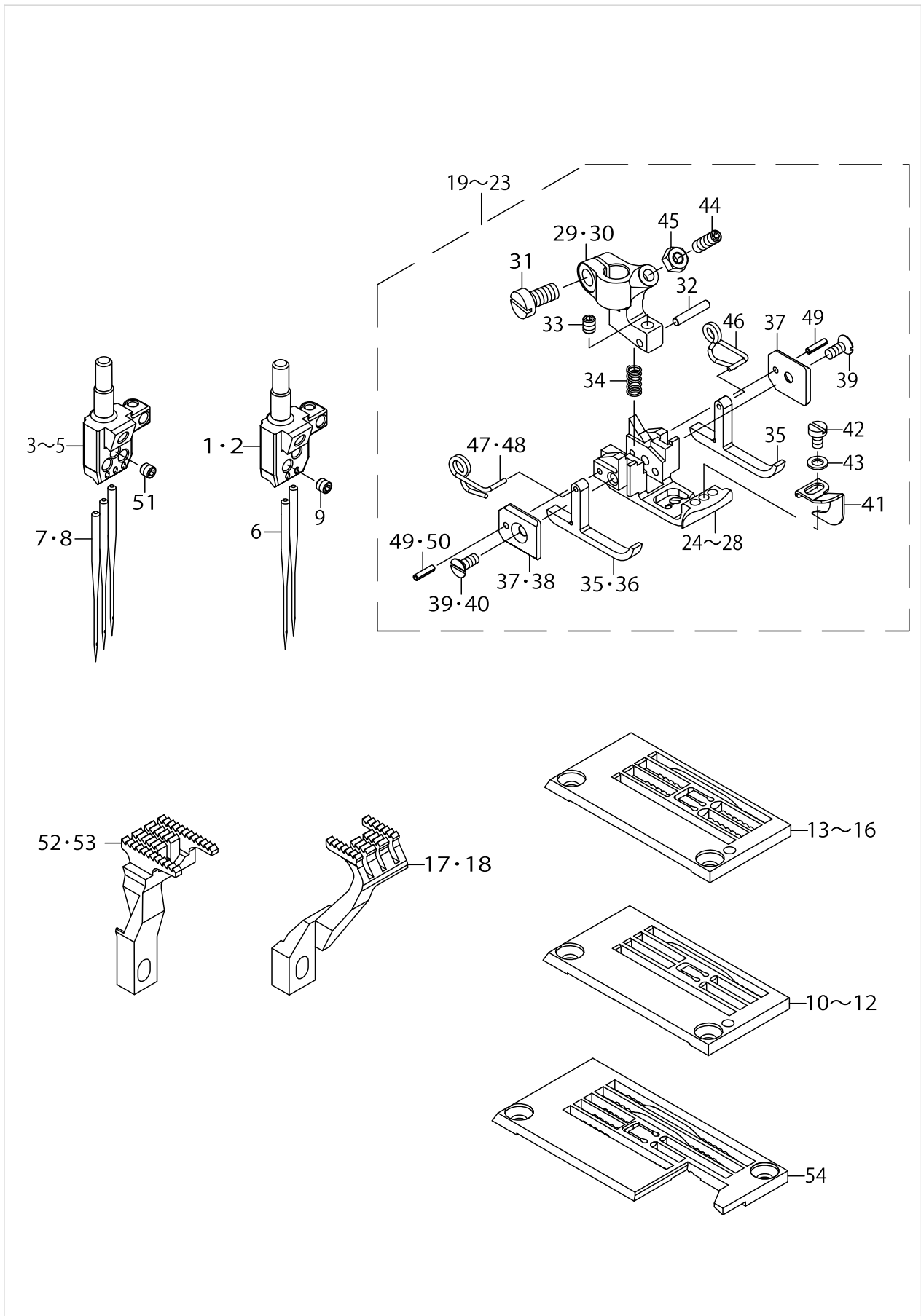
THREAD STAND COMPONENTS



THREAD STAND COMPONENTS

No.	Supply Code	Parts No.	Replacement	Parts name	Remarks	Choice	Step	Level	Cons	Qty	Rep. QTY
1	R	40106592	40106586	THREAD STAND ASM.						1	1.00
2		40106575		SPOOL REST LONG ARM UPPER				*	☆	2	
3		40085795		THREAD GUIDE BUSHING				*		6	
4		40085794		THREAD GUIDE				*		6	
5	R	40096327	SM4053001SE	SPOOL REST ARM UPPER SCREW				*		2	1.00
6		40106574		SPOOL REST LONG ARM LOWER				*		2	
7		40096326		SPOOL REST ARM LOWER SCREW				*		2	
8		40085784		SPOOL REST ROD LOWER				*		1	
9		40096325		SPOOL REST ROD NUT				*		1	
10		40085796		SPOOL REST ROD RUBBER CUSHION				*		2	
11		40085785		SPOOL REST ROD UPPER				*		1	
12		40085793		SPOOL REST ROD RUBBER CAP				*		1	
13		40085792		SPOOL REST ROD JOINT				*		1	
14		40085789		SPOOL REST CUSHION				*		6	
15		40085788		SPOOL REST				*		6	
16		40085790		SPOOL PIN				*		6	
17		40085791		SPOOL RETAINER				*		6	
18		40106577		SPOOL REST ARM LOWER A				*	☆	1	
19		40106578		SPOOL REST ARM LOWER B				*	☆	1	
20		SM4051405SE		SCREW M5 L=14				*		2	
21		SM4051001SE		SCREW M5 L=10				*	☆	2	
22		SK3412001SE		WOOD SCREW D=4.1 L=20				*	☆	2	
23		NM6050001SE		NUT M5X0.8 TYPE1				*	☆	14	
24		WP0531001SC		WASHER M5				*		6	
25		WP1612616SE		WASHER 16X30X2.6				*		2	
26		WS0510002KN		SPRING WASHER M5				*		6	
27		40106583		THREAD GUIDE 6				*	☆	1	
28		40106580		THREAD GUIDE UNDER BASE				*		1	
29		40106576		THREAD GUIDE ARM				*	☆	1	
30		40106579		THREAD GUIDE ARM BASE				*		1	
31		SM4041201SC		SCREW M4X0.7 L=12				*		3	
32		SM4042501SC		SCREW M4X0.7 L=25				*		1	
33	R	NM6040002SC	NM6040002SE	NUT M4X0.7 TYPE2				*		4	1.00

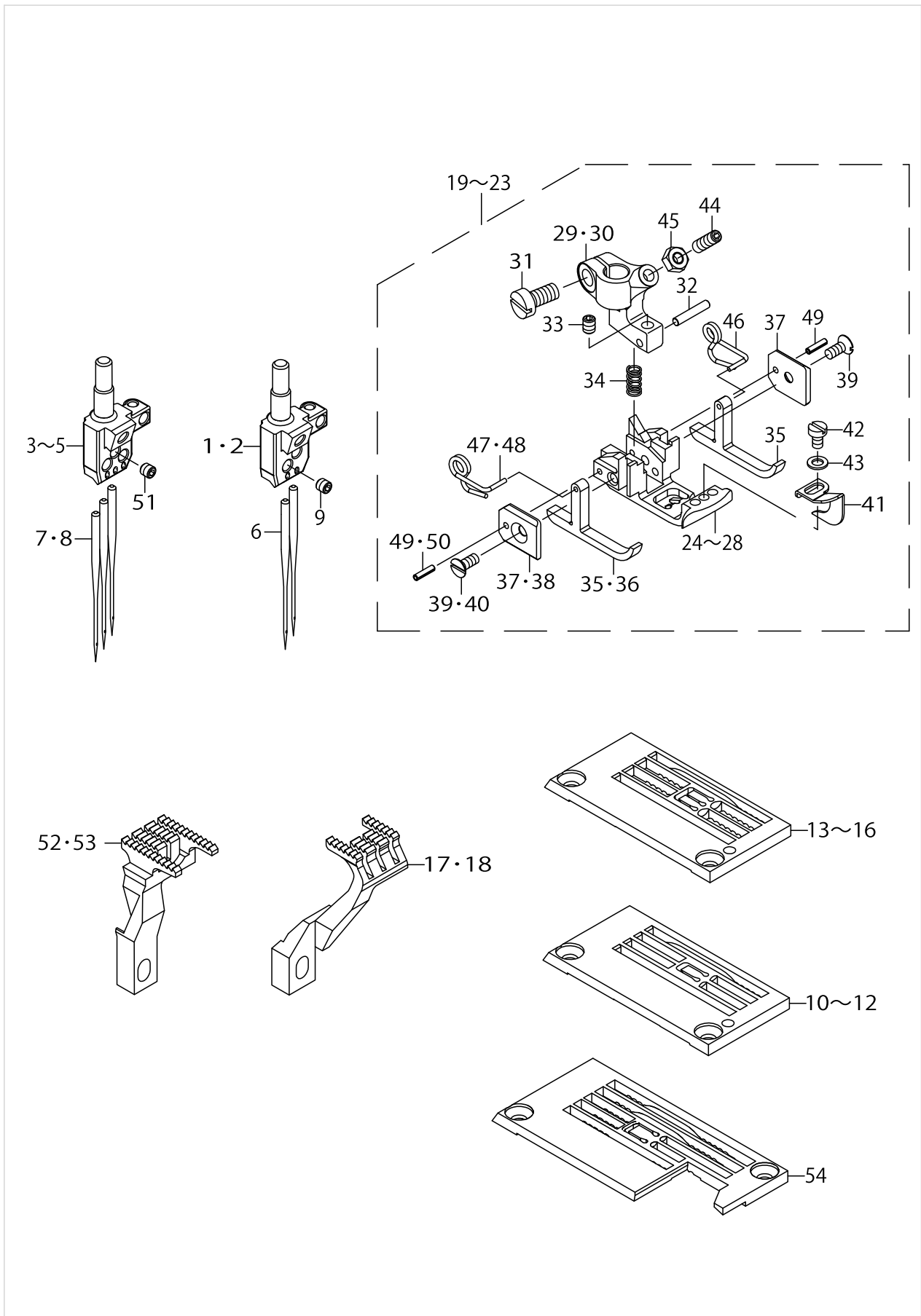
GAUGE PARTS COMPONENTS



GAUGE PARTS COMPONENTS

No.	Supply Code	Parts No.	Replacement	Parts name	Remarks	Choice	Step	Level	Cons	Qty	Rep. QTY
1		13350004		NEEDLE HEAD 32	FOR B32					1	
2		13350103		NEEDLE HEAD 40	FOR B40					1	
3		13350202		NEEDLE HEAD 48	FOR B48					1	
4		13350301		NEEDLE HEAD 56	FOR B56					1	
5		13350400		NEEDLE HEAD 64	FOR B64					1	
6		MUY128S1000		NEEDLE UYX128GAS (S BALL POINT) #10S	FOR B32,B40					2	
7		MUY128S1000		NEEDLE UYX128GAS (S BALL POINT) #10S	FOR B48,B56,B64					3	
8		MUY128S1400		NEEDLE UYX128GAS (S BALL POINT) #14S	FOR JJ					3	
9		SM8030312TP		SCREW M3 L=3	FOR B48,B56,B64					3	
10		40058587		THROAT PLATE	FOR B32					1	
11		40058706		THROAT PLATE	FOR B40					1	
12		70004610		THROAT_PLATE	OPTIONAL PARTS					1	
13		40040514		THROAT PLATE	FOR B48					1	
14		40058033		THROAT PLATE	FOR B56					1	
15		40040513		THROAT PLATE	FOR B64					1	
16		40082978		THROAT_PLATE	FOR JJ					1	
17		13358304		DIFF FEED DOG	FOR B32,B40,B48					1	
18		13357603		DIFF FEED DOG	FOR B56,B64,JJ					1	
19		40090133		PRESSERFOOTASSY	FOR B32					1	
20		40090196		PRESSERFOOTASSY	FOR B40					1	
21		40090197		PRESSERFOOTASSY	FOR B48					1	
22		40082974		PRESSERFOOTASSY	FOR B56,B64,JJ					1	
23		70004613		PRESSER_FOOT_ASSY	OPTIONAL PARTS					1	
24		40090130		PRESSER FOOT BOTTOM	FOR B32			*		1	
25		40090131		PRESSER FOOT BOTTOM	FOR B40			*		1	
26		40090132		PRESSER FOOT BOTTOM	FOR B48			*		1	
27	R	40082975	40082974	PRESSER FOOT BOTTOM	FOR B56,B64,JJ			*		1	1.00
28		70004612		PRESSER_FOOT_BOTTOM	OPTIONAL PARTS			*		1	
29		40070224		PRESSER FOOT HINGE	EXCEPT O-PTIONAL PARTS			*		1	
30		13467907		PRESSER_FOOT_SHANK	OPTIONAL PARTS			*		1	
31		SM6040800SP		SCREW				*		1	
32		13375209		PIVOT PIN				*		1	
33		SM8030412TP		SCREW				*		1	
34		13377106		SPRING				*		1	
35		40070226		P_F_YIELDING SECTION	EXCEPT O-PTIONAL PARTS			*		2	
36		40038032		YIELDING SECTION	OPTIONAL PARTS			*		1	
37		40070227		GUIDE PLATE	EXCEPT O-PTIONAL PARTS			*		2	
38		13468103		YIELDING_SECTION_PLATE	OPTIONAL PARTS			*		1	
39		SM1850600SP		SCREW	EXCEPT O-PTIONAL PARTS			*		2	
40		SM1850600SP		SCREW	OPTIONAL PARTS			*		1	
41		40070231		PRESSER FOOT GUIDE	EXCEPT O-PTIONAL PARTS			*		1	
42		SM6850400SP		SCREW M2.5 L=4	EXCEPT O-PTIONAL PARTS			*		1	
43		WP0280500SC		WASHER	EXCEPT O-PTIONAL PARTS			*		1	

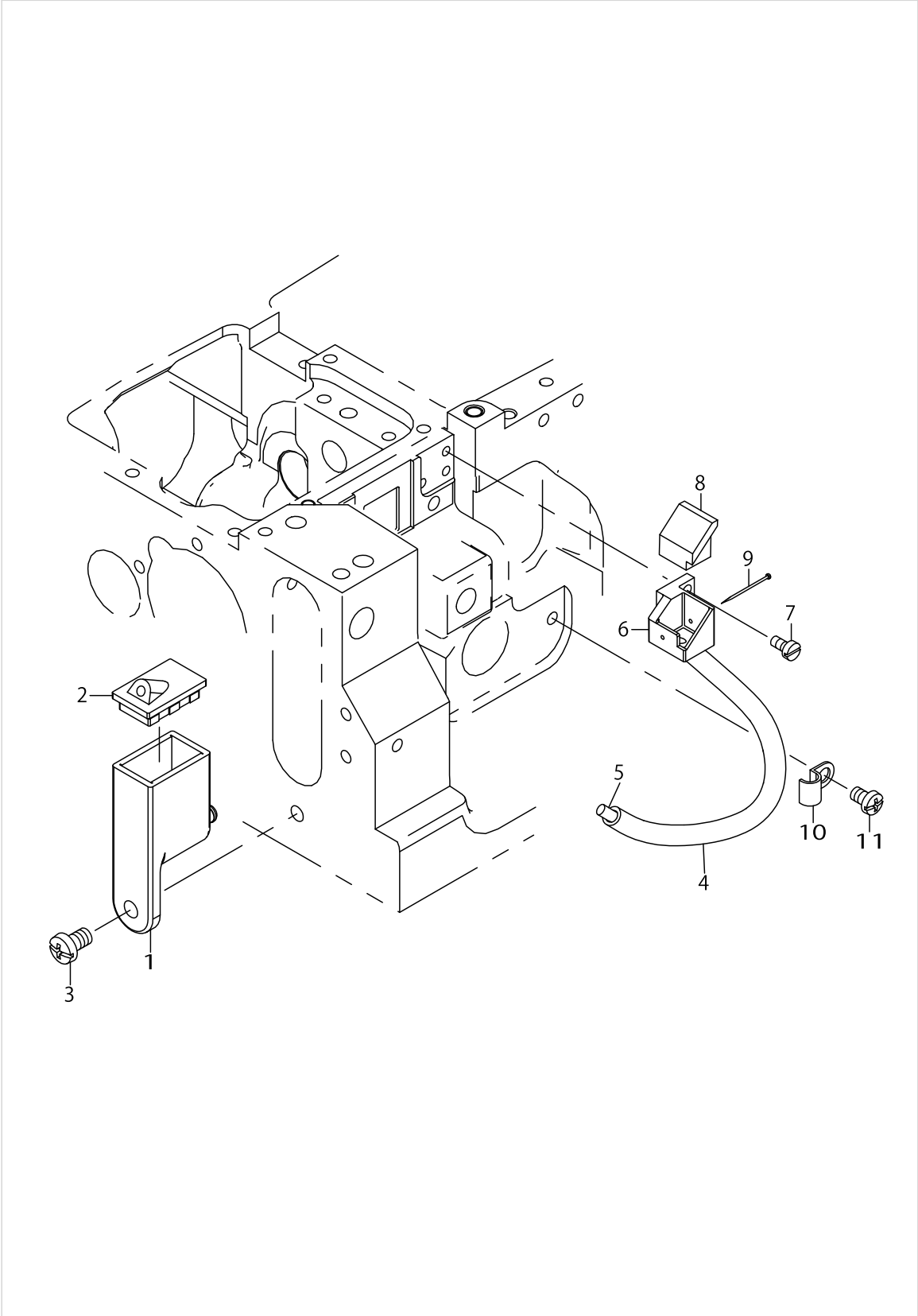
GAUGE PARTS COMPONENTS



GAUGE PARTS COMPONENTS

No.	Supply Code	Parts No.	Replacement	Parts name	Remarks	Choice	Step	Level	Cons	Qty	Rep. QTY
44		SM8031002TP		SCREW	EXCEPT O- PTIONAL PARTS			*		1	
45		NM6030001SD		NUT M3X0.5 TYPE1	EXCEPT O- PTIONAL PARTS			*		1	
46		40070230		SPRING R	EXCEPT O- PTIONAL PARTS			*		1	
47		40070229		SPRING L	EXCEPT O- PTIONAL PARTS			*		1	
48		13375308		SPRING_L	OPTIONAL PARTS			*		1	
49		PS0150065KP		SPRING PIN 1.5X6	EXCEPT O- PTIONAL PARTS			*		2	
50		PS0150082KH		SPRING PIN	OPTIONAL PARTS			*		1	
51		SM8030312TP		SCREW M3 L=3	FOR B32,B40					4	
52		13354204		MAIN FEED DOG	FOR B32,B40,B48					1	
53		13353701		MAIN FEED DOG	FOR B56,B64,JJ					1	
54		70004611		THROAT_PLATE	OPTIONAL PARTS					1	

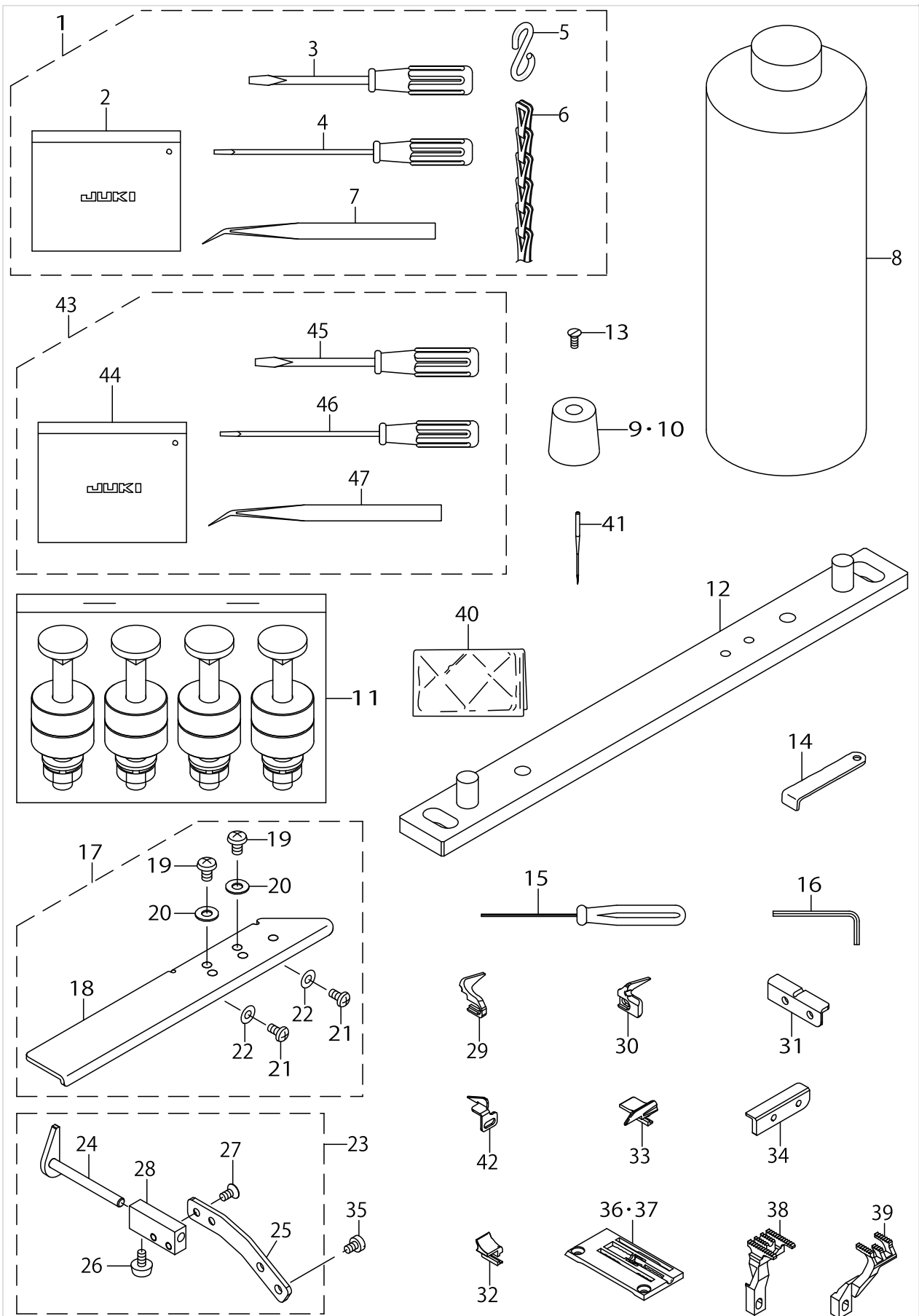
NEEDLE COOLING COMPONENTS



NEEDLE COOLING COMPONENTS

No.	Supply Code	Parts No.	Replacement	Parts name	Remarks	Choice	Step	Level	Cons	Qty	Rep. QTY
1		40056919		SILICONE OIL TANK						1	
2		13429105		SILICONE OIL TANK CAP						1	
3		SM4050855SP		SCREW						1	
4		BT0600402EA		URETHANE TUBE C-LEAR BLUE 6X4						.15	
5		CQ303000000		COTTON OIL WICK D=3						.3	
6		70001644		SILICONE OIL CUP						1	
7		SM6030600SP		SCREW M3X0.5 L=6						2	
8		13348305		FELT					☆	1	
9		11856101		NEEDLE COOLER PIN						1	
10		B3538112000		OIL RETURN TUBE HOLDER						1	
11		SM4040655SP		SCREW M4 L=6						1	

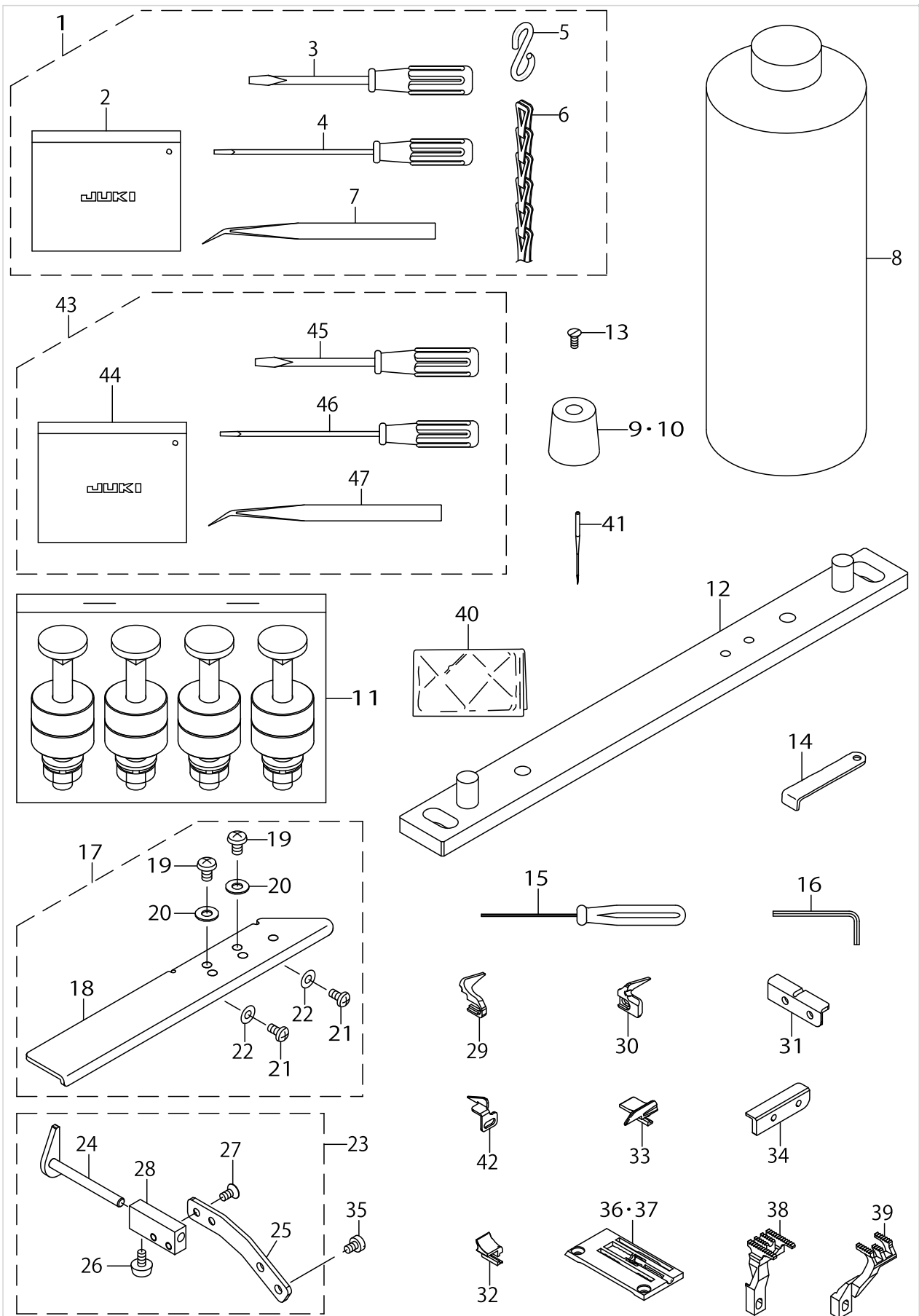
ACCESSORIES PARTS COMPONENTS



ACCESSORIES PARTS COMPONENTS

No.	Supply Code	Parts No.	Replacement	Parts name	Remarks	Choice	Step	Level	Cons	Qty	Rep. QTY
1		40013913		ACCESSORY BAG ASSY						1	
2		22932800		ACCESSORIE BAG				*		1	
3		22933105		SCREW DRIVER				*		1	
4		12347308		SCREW DRIVER (SMALL)				*		1	
5		13160304		S SHAPED HOOK				*		2	
6		70001840		CHAIN				*		1	
7		12288403		TWEEZERS				*		1	
8	R	MML018800CB	MML018900CA	JUKI CORPORATION GENUINE OIL 18					☆	1	1.00
9		40072505		ISOLATOR						1	
10		13155403		ISOLATOR						3	
11		13348966		ASSY BOLT SET						1	
12		13348859		SUPPORT PLATE ASSY						2	
13		13302203		SCREW						1	
14		B9101490000		DRIVER						1	
15		40032763		HEXAGONAL DRIVER(1.5)						1	
16		J106600000B		HEXAGONAL ROD SPANNER KEY 2						1	
17		40099374		BINDER BRACKET ASSY						1	
18		40099373		BINDER BRACKET				*		1	
19		SM5050855SN		SCREW M5 L=8				*		2	
20		WP0550836SC		WASHER 5.5X12X0.8				*		2	
21		SM4040855SP		SCREW				*		2	
22		WP0450801SP		WASHER				*		2	
23		70001964		HEM GUIDE ASSY						1	
24		70001967		HEM GUIDE				*		1	
25		70001962		HEM GUIDE BASE 1				*		1	
26		40019379		KNOB SCREW				*		1	
27		SM1040801SC		SCREW M4X0.7 L=8				*		2	
28		70001963		HEM GUIDE BASE 2				*		1	
29		70001813		COVERING GUIDE RIGHT					☆	1	
30		70001814		COVERING GUIDE LEFT					☆	1	
31		40099375		BRACKET B					☆	1	
32		70001838		COVERING GUARD L					☆	1	
33		70001839		COVERING GUARD R					☆	1	
34		70001846		BRACKET					☆	1	
35		SM6040650TP		SCREW						2	
36		13352307		THROAT PLATE	FOR B56					1	
37		13352406		THROAT PLATE	FOR B64					1	
38		70001946		MAIN FEED DOG	FOR B56,B64					1	
39		70001947		DIFF FEED DOG	FOR B56,B64					1	
40		40066644		HEAD_COVER						1	
41		MUY128S1003		NEEDLES(PACKAGE_OF_3)						1	
42		70001842		GUIDE LEFT					☆	1	
43		70004227		ACCESSORY BAG ASSY	FOR UT35,UT37					1	
44		22932800		ACCESSORIE BAG				*		1	
45		22933105		SCREW DRIVER				*		1	
46		12347308		SCREW DRIVER (SMALL)				*		1	

ACCESSORIES PARTS COMPONENTS



ACCESSORIES PARTS COMPONENTS

No.	Supply Code	Parts No.	Replacement	Parts name	Remarks	Choice	Step	Level	Cons	Qty	Rep. QTY
47		12288403		TWEEZERS				*		1	

LIST FOR INFORMATION OF CHANGE

As to the place changed, refer to the corresponding Rev.No.
 When previous parts(Obsoleted part)and new parts(Added parts)are
 not interchangeable with each other:
 In this case,even obsoleted parts(D.)can be ordered with the
 obsoleted part number,so select the parts with changed dates and
 place your orders.

変更箇所は、該当Rev.No.版をご参照ください。
 部品の互換性がない変更の場合は、削除された品番でも、ご注文できます。

70001995
 No.1595-02 Rev.No.

*A:Added parts追加部品/D:Obsoleted parts削除部品/E:Erratum訂正

* Rev. No.	Page 頁	Ref. No.	Parts No. 品番	* Rev. No.	Page 頁	Ref. No.	Parts No. 品番
D 01	4	11	SM-1041400-SP	A 02	4	11	SM-10414C0-SP
D 01	4	22	SM-6040750-TP	A 02	4	22	SM-60407C0-TP
D 01	4	50	SM-8040412-TP	A 02	4	50	SM-8040312-TP
D 01	4	62	SD-0600266-TP	A 02	4	62	700-04493
D 01	4	69	WP-0450000-SD	A 02	4	69	WP-0501016-SD
D 01	6	5	SB-1200018-00				
				A 02	6	5	400-17824
D 01	6	6	134-07408	A 02	6	6	700-04640
D 01	6	9	SB-1200015-00	A 02	6	9	700-04197
D 01	6	15	700-01446	A 02	6	15	700-04630
D 01	6	27	SB-1100023-00	A 02	6	27	700-05086
D 01	6	35	700-03278	A 02	6	35	700-04489
D 01	6	39	700-01458	A 02	6	39	700-04484
D 01	8	16	SD-0700206-TP	A 02	8	16	SD-070020C-TP
D 01	8	24	SD-0700586-TP	A 02	8	24	SD-070058C-TP
D 01	8	26	SM-6062550-TP	A 02	8	26	SM-60625C0-TP
				A 02	8	46	700-04371
D 01	12	35	700-03995				
D 01	14	37	SM-4850455-SP	A 02	14	37	SM-48504C5-SP
D 01	14	56	SM-4040655-SP	A 02	14	56	SM-40405C5-SP
D 01	16	29	700-01556	A 02	16	29	700-04223
D 01	16	31	700-01563	A 02	16	31	700-04224
D 01	18	21	SD-0640246-SP	A 02	18	21	SD-064024C-SP
D 01	18	27	SM-4850455-SP	A 02	18	27	SM-48504C5-SP
				A 02	28	12	700-04610
				A 02	28	23	700-04613
				A 02	28	28	700-04612
				A 02	28	30	134-67907
				A 02	28	36	400-38032
				A 02	28	38	134-68103
				A 02	28	40	SM-1850600-SP
				A 02	28	48	133-75308
				A 02	28	50	SP-0150082-KH
				A 02	28	54	700-04611

HOW TO MAKE USE OF THIS PARTS LIST

1.Explanation of codes

1)"*"mark.....means this part is changed from the previous parts book.

As to the details of the change, refer to the "List for information of change".

2)"#01".....refer to "Note" explanation at bottom of page.

2.Codes on the "Qty" column

- Each numeral indicates the number of parts required.
- "0.1" and "2.5" indicate the length (in meters) of the respective parts.

3.Parentheses mean that the corresponding part is a subpart that constructs an assembly part.

4.Dotted lines on the Figures indicate assembly parts.

5.As to the parts with marks of "☆"(consumable parts) and "◎"(optional parts)on the respective parts, it is recommended to prepare spares.

1 ."注記"欄の記号説明

1) "*"印.....前回のパーツブックに比較して今回変更された部品を意味します。

変更内容は、"変更情報リスト"を参照してください。

2) "#01".....ページ下の"注記"の説明を参照してください。

2.数量欄の数字は、個数を表し、0.1、2.5等の数値は、長さ（単位メートル）を表します。

3.数量欄の（ ）は、組部品を構成している子部品であることを意味します。

4.イラストページの-----枠は、組構成であることを意味します。

5.リストページの"☆"（消耗部品）、"◎"（オプション部品）の印がついた部品は、予備を準備しておくことをお奨めします。

NUMERICAL INDEX OF PARTS

PART NO	PAGE	REF NO.	PART NO	PAGE	REF NO.	PART NO	PAGE	REF NO.
10753309	2	9	13311006	14	47	13320403	22	19
11856101	40	64	13311204	14	48	13321203	22	4
11856101	48	9	13311253	12	45	13321708	16	28
12288403	50	47	13311303	14	54	13322003	18	81
12288403	52	47	13311451	14	65	13322102	18	84
12347308	50	46	13311501	14	58	13322201	18	79
13123302	22	10	13311600	14	67	13322409	16	30
13140504	36	5	13311808	14	64	13323209	22	25
13142500	38	4	13311907	14	63	13323308	16	8~10
13155403	50	9·10	13311956	14	62	13323407	16	8~10
13160304	50	5	13312103	14	55~57	13323506	16	8~10
13170105	38	30	13312202	14	55~57	13323803	16	5
13171004	38	31	13312301	14	55~57	13324108	8	64
13217401	22	13	13313101	12	3	13324108	10	64
13217500	22	12	13313309	12	4	13324504	24	5
13217708	22	8	13313804	12	11	13324603	24	8
13227905	40	46	13314109	12	15	13324702	24	10
13228200	38	45	13314356	12	17	13324900	24	14
13228309	38	44	13315908	12	8	13325006	24	16
13300801	2	12	13317201	16	12	13325204	24	24
13301700	2	15	13317300	16	19	13325808	26	48
13301809	4	25	13317409	16	20~22	13325907	26	49
13302104	4	53	13317508	16	20~22	13326004	26	50
13302104	6	53	13317607	16	20~22	13326103	26	51
13302203	4	24	13317706	16	24	13326202	26	52
13302203	50	13	13317805	18	61	13326301	24	39
13302302	4	49	13317904	18	57	13326400	24	40
13302302	6	49	13318001	18	48	13326509	24	42
13302708	4	46	13318100	18	49	13326608	24	44
13304209	6	54	13318209	18	47	13326707	26	54
13304308	4	48	13318308	18	54	13326806	14	60
13304308	6	48	13318506	18	63	13326905	24	35
13305107	4	45	13318605	18	77	13328000	28	3
13307251	10	48	13318704	16	14~16	13328109	28	2
13307301	10	53	13318803	16	14~16	13328158	28	1
13307509	8	13	13318902	16	14~16	13328208	28	4
13307707	10	76	13319009	16	42	13328505	28	16
13307806	10	67~69	13319405	18	73	13328554	28	15
13308457	8	8	13319504	18	76	13328604	28	17
13308507	8	37	13319702	16	32	13328703	28	18
13308705	8	28	13319900	16	35	13328802	28	27
13308804	8	1	13319959	16	34	13329008	28	13
13309208	10	73	13320007	16	36	13329206	28	22
13309307	10	67~69	13320106	16	37	13332309	30	14
13309406	10	67~69	13320304	22	18	13332804	30	19

NUMERICAL INDEX OF PARTS

PART NO	PAGE	REF NO.	PART NO	PAGE	REF NO.	PART NO	PAGE	REF NO.
13332903	30	17	13346556	38	6	40013913	50	1
13333208	30	16	13346705	38	24	40017824	8	5
13333307	30	28	13348008	24	19	40018443	22	21
13333505	30	30	13348305	48	8	40018922	8	10
13333604	30	31	13348859	50	12	40019335	30	38
13333703	30	37	13348966	50	11	40019379	50	26
13334701	32	2	13350004	44	1·2	40023441	30	13
13337308	34	2	13350103	44	1·2	40023481	30	12
13337357	34	1	13350202	44	3~5	40024405	38	28
13337407	34	3	13350301	44	3~5	40032763	50	15
13337506	34	5	13350400	44	3~5	40033341	2	14
13337605	34	13	13352307	50	36·37	40035711	8	43
13337704	34	21	13352406	50	36·37	40038032	44	35·36
13337803	34	23	13353701	46	52·53	40039630	22	3
13337902	34	31	13354204	46	52·53	40040206	22	1
13338504	34	17	13357603	44	17·18	40040513	44	13~16
13338801	34	7	13358304	44	17·18	40040514	44	13~16
13338900	28	23	13375209	44	32	40042363	36	9
13338900	34	28	13375308	46	47·48	40042364	36	10
13340005	36	21	13377106	44	34	40042365	36	11
13340104	36	22	13398409	18	71	40042366	36	12
13340302	36	6	13399209	28	11	40050448	34	26
13343009	38	41	13406707	8	3	40050449	34	29
13343108	38	40	13409800	4	28	40052522	34	20
13343207	40	48	13426903	4	2	40052924	32	1
13343306	40	49	13429105	48	2	40056919	48	1
13343405	40	47	13467907	44	29·30	40058033	44	13~16
13343603	40	62	13468103	44	37·38	40058587	44	10~12
13343801	38	5	22901805	2	34	40058706	44	10~12
13343900	40	61	22902506	2	2	40065785	36	2
13344056	40	66	22924708	2	11	40066644	50	40
13344155	40	71	22932800	50	44	40070224	44	29·30
13344502	40	68	22933105	50	45	40070226	44	35·36
13344601	40	67	22945505	24	43	40070227	44	37·38
13344700	40	69	22945802	24	41	40070229	46	47·48
13344809	38	3	23537202	12	18	40070230	46	46
13345053	40	78	23612609	24	9	40070231	44	41
13345202	38	1	23629306	38	76	40070573	12	2
13345400	38	43	23629306	40	76	40070574	12	1
13345459	38	39	23629504	38	23	40072505	50	9·10
13345509	38	29	23630007	40	70	40082196	4	21
13345608	38	33	26019000	36	7	40082974	44	19~23
13345855	38	8	30391601	24	25	40082975	44	24~28
13345905	38	34	31013808	22	22	40082978	44	13~16
13346101	38	38	40004749	40	53	40085784	42	8

NUMERICAL INDEX OF PARTS

PART NO	PAGE	REF NO.	PART NO	PAGE	REF NO.	PART NO	PAGE	REF NO.
40085785	42	11	70001420	4	1	70001510	18	62
40085788	42	15	70001421	2	13	70001511	16	43
40085789	42	14	70001422	2	22	70001512	18	60
40085790	42	16	70001423	4	15	70001513	18	72
40085791	42	17	70001424	4	18	70001514	22	28
40085792	42	13	70001426	4	26	70001515	22	29
40085793	42	12	70001431	4	27	70001516	22	30
40085794	42	4	70001436	6	58	70001517	22	31
40085795	42	3	70001437	8	45	70001518	22	32
40085796	42	10	70001439	8	46	70001521	16	1
40085995	26	55	70001440	10	44·56	70001522	16	3
40087068	30	3	70001441	10	59	70001523	18	87
40090130	44	24~28	70001442	10	60	70001524	18	89
40090131	44	24~28	70001443	10	51	70001525	18	90
40090132	44	24~28	70001444	10	65	70001526	18	91
40090133	44	19~23	70001445	8	2	70001527	20	93
40090196	44	19~23	70001447	8	25	70001528	16	26
40090197	44	19~23	70001448	8	26	70001530	22	7
40096325	42	9	70001451	8	30	70001531	22	17
40096326	42	7	70001453	8	31	70001532	20	100
40096327	42	5	70001477	12	37	70001533	20	101
40099371	4	37	70001478	12	35	70001535	10	62
40099373	50	18	70001480	12	5	70001536	10	63
40099374	50	17	70001481	12	6	70001537	24	3
40099375	50	31	70001483	12	9	70001540	24	18
40100791	30	25	70001485	12	13	70001541	24	29
40100793	30	29	70001486	12	19	70001542	24	31
40101602	36	13	70001487	12	29	70001543	24	32
40102003	36	14	70001488	12	32	70001544	26	58
40106574	42	6	70001489	12	33	70001545	26	60
40106575	42	2	70001490	12	34	70001546	24	20
40106576	42	29	70001491	12	39	70001548	24	13
40106577	42	18	70001492	12	42	70001555	28	6
40106578	42	19	70001493	12	43	70001558	28	10
40106579	42	30	70001494	12	22	70001559	28	14
40106580	42	28	70001495	12	25	70001572	30	7
40106583	42	27	70001498	12	21	70001573	30	11
40106592	42	1	70001499	12	7	70001575	30	35
70001407	2	28	70001500	14	66	70001579	30	24
70001409	2	7	70001505	16	2	70001580	30	4
70001411	2	1	70001506	18	74	70001581	30	6
70001414	4	29	70001507	20	94	70001582	30	2
70001415	4	13	70001508	20	96	70001583	30	45
70001416	2	5	70001509	16	29	70001584	30	41
70001418	4	41	70001510	16	62	70001585	30	44

NUMERICAL INDEX OF PARTS

PART NO	PAGE	REF NO.	PART NO	PAGE	REF NO.	PART NO	PAGE	REF NO.
70001587	32	5	70001975	40	87	EA9500B0100	40	60
70001588	32	12	70001976	6	60	J106600000B	50	16
70001589	22	26	70001978	4	8	MML018800CB	50	8
70001590	32	7	70001987	30	1	MUY128S1000	44	7·8
70001591	32	8	70003316	8	22	MUY128S1003	50	41
70001592	32	4	70003331	8	44·56	MUY128S1400	44	7·8
70001601	34	10	70004184	8	34	NM6030001SC	30	32
70001602	34	19	70004197	8	9	NM6030001SD	46	45
70001603	34	25	70004223	28	29·31	NM6040000SN	2	19
70001604	34	27	70004224	28	29·31	NM6040000SN	6	57
70001610	36	1	70004227	50	43	NM6040000SN	40	86
70001612	36	4	70004371	12	46	NM6040002SC	42	33
70001613	36	18	70004484	8	39	NM6050001SC	18	69
70001614	36	19	70004489	8	35	NM6050001SC	24	45
70001615	36	16	70004493	6	62	NM6050001SC	28	8
70001616	36	17	70004610	44	10~12	NM6050001SC	34	16
70001617	36	15	70004611	46	54	NM6050001SC	38	26
70001620	36	8	70004612	44	24~28	NM6050001SE	42	23
70001630	40	63	70004613	44	19~23	NM6060001CP	12	27
70001631	40	73	70004630	8	15	NM6850001SC	30	43
70001632	40	79	70004631	8	16	PS0150065KP	46	49·50
70001633	40	80	70004632	8	18	PS0150082KH	24	22
70001634	38	10	70004633	8	17	PS0150082KH	46	49·50
70001636	38	36	70004640	8	6	PS0300162KH	18	58
70001638	10	57	70005086	8	27	PS0400082KP	24	34
70001639	40	59	B2556280000	18	67	PS0500142KP	12	20
70001644	48	6	B3215470000	18	52	RC0100001KP	16	40
70001659	4	44	B3538112000	48	10	RC0741013KP	18	70
70001813	50	29	B9101490000	50	14	RC1900002KP	4	3
70001814	50	30	B9214850000	24	21	RE0300000K0	4	42
70001830	6	64	BP30000010R	38	77	RE0300000K0	22	11
70001831	6	63	BP30000010R	40	77	RE0500000K0	18	55
70001837	2	27	BT0600402EA	48	4	RE0500000K0	32	11
70001838	50	32	CM300200001	2	29	RE0700000K0	34	12
70001839	50	33	CM300200001	6	65	RO055200100	18	51
70001840	50	6	CM301300001	2	26	RO055200100	32	9
70001842	50	42	CQ303000000	16	23	RO068190100	22	2
70001846	50	34	CQ303000000	28	19	RO137230100	18	82
70001946	50	38	CQ303000000	48	5	RO148240200	8	42
70001947	50	39	CS1000881TP	16	85	RO158240100	16	7
70001959	16	27	CS1000881TP	18	85	RO195240100	2	10
70001962	50	25	CS1000881TP	22	23	SB120001500	8	41
70001963	50	28	CS1000881TP	24	6	SB120001900	10	70
70001964	50	23	CS1000881TP	28	25	SB120002200	10	55
70001967	50	24	CS1000881TP	30	8	SB30800110A	14	49~52

NUMERICAL INDEX OF PARTS

PART NO	PAGE	REF NO.	PART NO	PAGE	REF NO.	PART NO	PAGE	REF NO.
SB30800110B	14	49~52	SM4041055SP	38	2	SM6051000SP	32	13
SB30800110C	14	49~52	SM4041201SC	42	31	SM6051002TP	12	30
SB30800110D	14	49~52	SM4041655SP	36	3	SM6051002TP	24	1
SD0640246SP	2	20	SM4042501SC	42	32	SM6051202TP	12	59
SD064024CSP	30	21	SM4050855SP	48	3	SM6051202TP	14	59
SD070020CTP	12	16	SM4051001SE	42	21	SM6051400SP	4	39
SD070058CTP	12	24	SM4051055SP	6	66	SM6051402TP	24	12
SD0801326TH	16	33	SM4051255SP	18	65	SM6051402TP	34	30
SK3412001SE	42	22	SM4051255SP	22	14	SM6051602TP	6	59
SL4041281SC	30	15	SM4051405SE	42	20	SM6051602TP	18	68
SM1030400SP	22	33	SM4060801SE	2	21	SM6051602TP	40	55
SM1040650TP	24	38	SM4850455SP	30	34	SM6061200SP	10	75
SM1040750TP	26	59	SM4850455SP	32	3	SM6061202TP	12	28
SM1040800SP	4	7	SM48504C5SP	24	37	SM6061202TP	18	75
SM1040801SC	50	27	SM48504C5SP	30	27	SM6061402TP	8	61
SM10414C0SP	4	11	SM5040655SN	22	6	SM6061402TP	10	61
SM1850600SP	44	39-40	SM5050855SN	50	19	SM6061402TP	16	38
SM4030455SN	2	17	SM6030402TP	18	56	SM6061402TP	28	9
SM4030855SN	2	18	SM6030600SP	16	39	SM6061802TP	38	32
SM4030855SN	14	61	SM6030600SP	48	7	SM60625C0TP	12	26
SM4030855SN	24	27	SM6030800SP	4	38	SM6850400SP	44	42
SM4030855SN	40	82	SM6040600SP	40	51	SM6850802TN	30	42
SM4040555SP	6	51	SM6040602TP	4	10	SM7051460TP	22	15
SM40405C5SP	26	56	SM6040650TP	50	35	SM8030312TP	24	26
SM4040655SP	2	23	SM6040750TP	34	32	SM8030312TP	44	51
SM4040655SP	4	56	SM60407C0TP	4	22	SM8030312TP	46	51
SM4040655SP	6	56	SM6040800SP	4	14	SM8030412TP	44	33
SM4040655SP	8	24	SM6040800SP	12	38	SM8031002TP	46	44
SM4040655SP	12	10	SM6040800SP	20	98	SM8040312TP	6	50
SM4040655SP	24	53	SM6040800SP	26	47	SM8040312TP	32	14
SM4040655SP	26	53	SM6040800SP	44	31	SM8040412TP	4	34
SM4040655SP	30	36	SM6041000SP	12	53	SM8040412TP	8	20
SM4040655SP	36	23	SM6041000SP	14	53	SM8040412TP	18	53
SM4040655SP	38	81	SM6041000SP	16	31	SM8040412TP	28	12
SM4040655SP	40	81	SM6041000SP	22	34	SM8040512TP	12	44
SM4040655SP	48	11	SM6041000SP	28	30	SM8040602TP	18	50
SM4040855SP	2	30	SM6041000SP	34	22	SM8040612TP	18	83
SM4040855SP	38	37	SM6041002TP	4	12	SM8050412TP	18	99
SM4040855SP	50	21	SM6041200SP	12	14	SM8050412TP	20	99
SM4041055SP	2	8	SM6041200SP	28	28	SM8050412TP	28	26
SM4041055SP	6	55	SM6041200SP	40	84	SM8050412TP	38	42
SM4041055SP	8	29	SM6041202TP	12	23	SM8050612TP	16	86
SM4041055SP	12	41	SM6041202TP	34	4	SM8050612TP	18	86
SM4041055SP	24	15	SM6042000SP	40	50	SM8050612TP	22	24
SM4041055SP	36	20	SM6050800SP	4	23	SM8050612TP	24	7

NUMERICAL INDEX OF PARTS

PART NO	PAGE	REF NO.	PART NO	PAGE	REF NO.
SM8050612TP	30	9	TA2050406R0	2	6
SM8050612TP	32	6	TA2050416R0	4	68
SM8050612TP	34	14	TA2050416R0	6	68
SM8050812TP	16	95	TA2101002R0	6	67
SM8050812TP	20	95	TA2101002R0	30	40
SM8060552TP	8	36	TA2351004R0	2	24
SM8060552TP	16	80	WP0280500SC	30	33
SM8060552TP	18	80	WP0280500SC	44	43
SM8060552TP	30	39	WP0280501SC	24	36
SM8060612TP	8	72	WP0370316SD	16	18
SM8060612TP	10	72	WP0410516SD	30	23
SM8060612TP	16	88	WP0450801SC	26	57
SM8060612TP	18	88	WP0450801SC	40	85
SM8060612TP	28	21	WP0450801SP	50	22
SM8060612TP	34	6	WP0450826SC	12	40
SM80606A2TP	18	78	WP0450826SC	22	5
SM8060812TP	8	54	WP0450826SC	24	46
SM8060812TP	10	54	WP0460556SD	22	9
SM8060812TP	40	65	WP0461516SH	34	24
SM8060842TP	8	71	WP0480856SP	20	97
SM8060842TP	10	71	WP0501016SD	6	69
SM8061212TP	8	47	WP0522016SH	24	4
SM8061212TP	10	47	WP0531000SC	4	31
SM8080812TP	10	74	WP0531000SD	4	4
SM9061050TP	28	20	WP0531001SC	42	24
SQ0000452MZ	38	15	WP0550800SP	4	43
SQ0000453MZ	38	13	WP0550800SP	28	7
SQ0000454MZ	38	12	WP0550800SP	34	15
SQ2050452MZ	38	25	WP0550800SP	40	54
SQ2060441SD	38	16	WP0550836SC	50	20
SQ2060442SD	38	11	WP0551016SH	12	31
SQ2060451MZ	40	52	WP0621016SD	22	16
ST4040851SN	24	23	WP0621016SD	32	10
TA0400301M0	4	9	WP1021026SH	34	11
TA0500601M0	16	46	WP1022016SH	28	24
TA0500601M0	34	18	WP1612616SE	42	25
TA0750404R0	22	27	WS0510002KN	24	11
TA0850604R0	2	33	WS0510002KN	42	26
TA0850604R0	4	47	WS0510002KP	4	30
TA0850604R0	6	47	WS0510002KP	24	2
TA1050504R0	2	3	WZ0641510KP	2	16
TA1050504R0	4	70	WZ0641510KP	6	61
TA1050504R0	6	70	WZ0641510KP	30	22
TA1250705R0	2	31			
TA1600406R0	34	9			