

MODEL : AP-876

List No : 1592-01

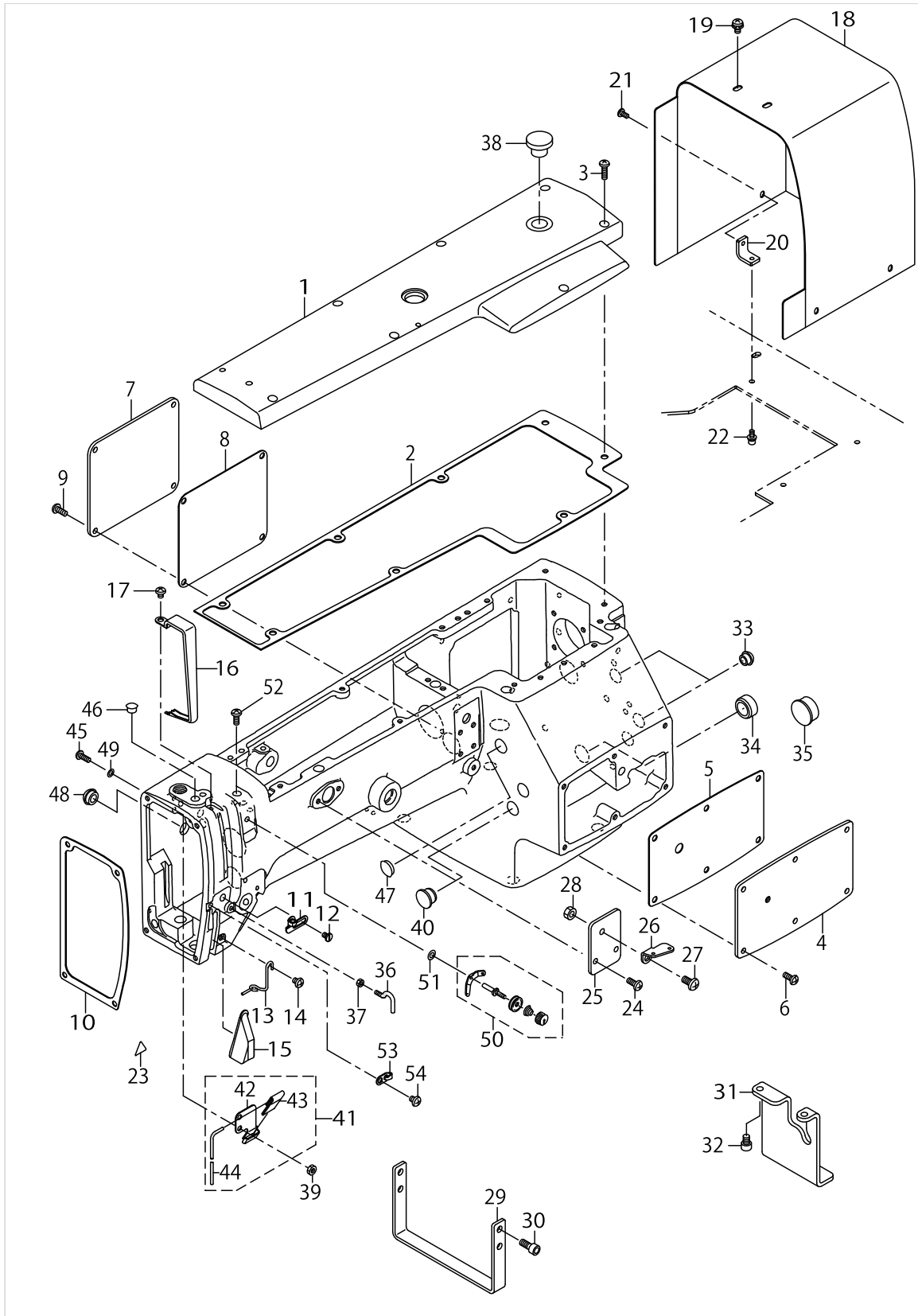
PARTS LIST

Published:05/12/2017

CONTENTS

FRAME & MICELLANEOUS COVER COMPONENTS	1
MAIN SHAFT COMPONENTS	5
ARM SHAFT COMPONENTS	7
NEEDLE BAR COMPONENTS (1)	9
NEEDLE BAR COMPONENTS (2)	13
PRESSER MECHANISM COMPONENTS	17
THREAD TENSION COMPONENTS	19
SHUTTLE DRIVER SHAFT COMPONENTS.....	21
THREAD TRIMMER MECHANISM COMPONENTS (1).....	23
THREAD TRIMMER MECHANISM COMPONENTS (2).....	27
LUBRICATION COMPONENTS (1)	29
LUBRICATION COMPONENTS (2)	33
MAIN BODY COVER COMPONENTS (1).....	35
MAIN BODY COVER COMPONENTS (2).....	37
FRAME COVER COMPONENTS.....	41
MAIN BODY FRAME COMPONENTS	45
X-Y DRIVER UNIT (1).....	47
X-Y DRIVER UNIT (2).....	53
CLOTH PRESSER COMPONENTS.....	55
FITTING PLATE COMPONENTS	59
FORM PLATE MECHANISM COMPONENTS	63
VERTICAL TABLE COMPONENTS	67
SUCTION DEVICE COMPONENTS.....	71
AIR PRESSURE COMPONENTS.....	73
BOBBIN WINDER COMPONENTS.....	77
STACKER COMPONENTS.....	79
CREASE GAGE COMPONENTS	83
FORM PLATE GAGE COMPONENTS.....	87
PRESSER GAGE COMPONENTS.....	89
OPERATION PANEL COMPONENTS	91
CONTROL BOX COMPONENTS	93
WIRING DIAGRAM (1)	97
WIRING DIAGRAM (2)	101
THREAD STAND COMPONENTS.....	103
ACCESSORIES COMPONENTS.....	105
MARKING LIGHT COMPONENTS (OPTION).....	107
GARMENT PUT BASE COMPONENTS (OPTION).....	109
BAR CODE READER (OPTION).....	111
GAUGE EXCHANGE KIT.....	113
LIST FOR INFORMATION OF CHANGE (1).....	115
LIST FOR INFORMATION OF CHANGE (2).....	116
HOW TO MAKE USE OF THIS PARTS LIST	117

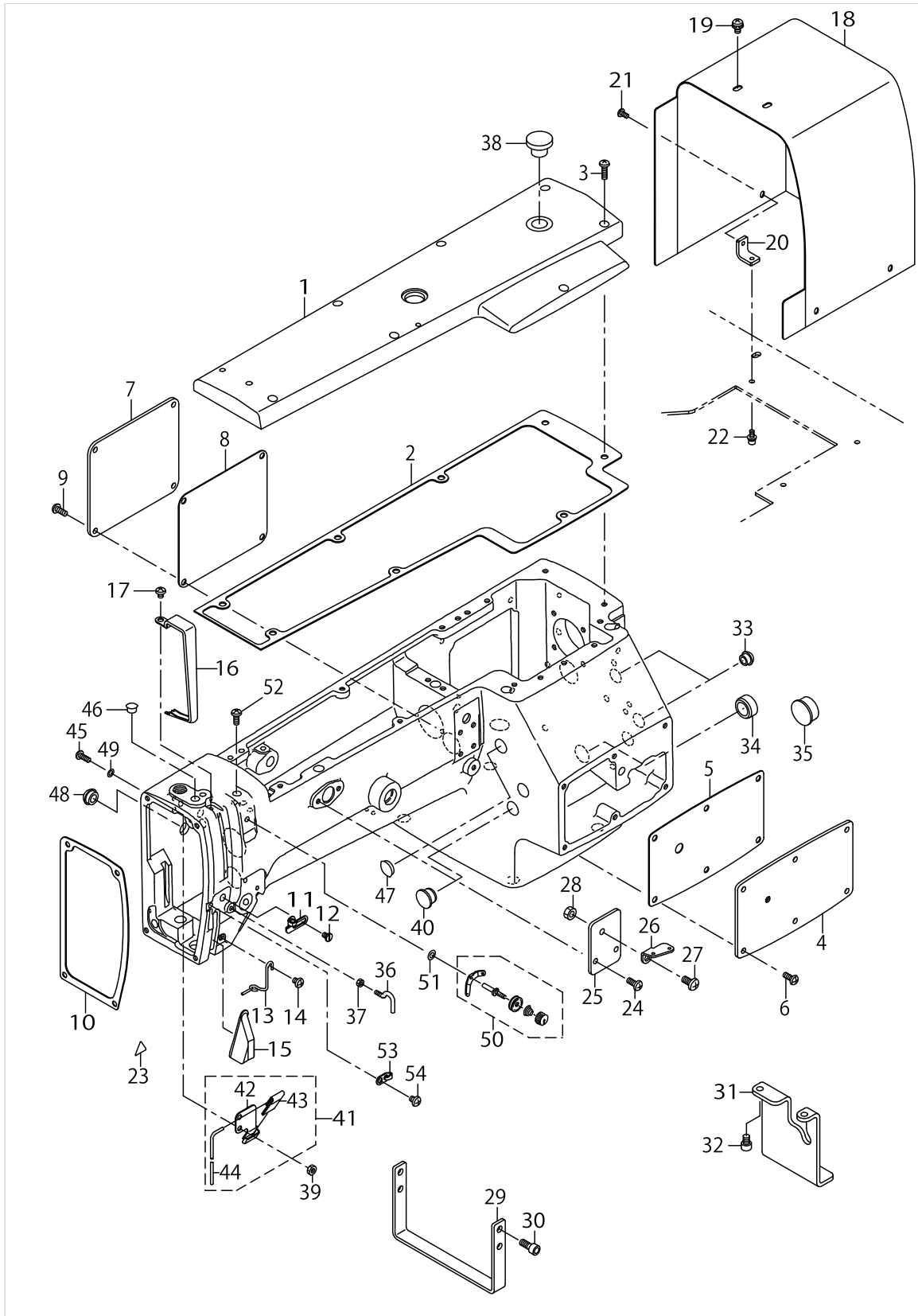
FRAME & MICCELLANEOUS COVER COMPONENTS



FRAME & MICELLANEOUS COVER COMPONENTS

No.	Supply Code	Parts No.	Replacement	Parts name	Remarks	Choice	Step	Level	Cons	Qty	Rep. QTY
1		G1113875000		TOP COVER						1	
2		G1119875000		UPPER FACE COVER PACKING						1	
3		SS4121215SP		SCREW 3/16-28 L=12						8	
4		G1111875000		ARM COVER A						1	
5		G1117875000		ARM COVER PACKING A						1	
6		SS4121215SP		SCREW 3/16-28 L=12						6	
7		G1112875000		ARM COVER B						1	
8		G1118875000		ARM COVER PACKING B						1	
9		SS4121215SP		SCREW 3/16-28 L=12						4	
10		G1116875000		FACE PLATE PACKING						1	
11		40063697		ARM THREAD GUIDE A H					☆	1	
12		22921001		SCREW						1	
13		13719802		NEEDLE BAR THREAD GUIDE					☆	1	
14		SS4120615SP		SCREW 3/16-28 L=6						1	
15		13705207		THREAD PATH GUIDE PLATE						1	
16		13920509		THREAD TAKE-UP COVER						1	
17		SS4120615SP		SCREW 3/16-28 L=6						1	
18		40116251		MOTOR COVER						1	
19		SL4051091SC		SCREW M5 L=10						2	
20		40075985		COVER ANGLE						3	
21		SM0040801SC		SCREW M4X8						3	
22		SL6041092TN		SCREW M4 L=10						3	
23		CM300200001		FINGER INJURY CAUTION LABEL (16)						1	
24		SS4121215SP		SCREW 3/16-28 L=12						2	
25		40116229		THREAD GUIDE PLATE A						1	
26		26211904		THREAD GUIDE PLATE					☆	1	
27		SM4061255SP		SCREW M6 L=12						1	
28		NM6060001SC		NUT M6X1 TYPE1						1	
29		40116230		HEAD STAND FRONT						1	
30		SS6151412TP		SCREW15/64-28L=14						4	
31		40116231		HEAD STAND BACK						1	
32		SS6151412TP		SCREW15/64-28L=14						2	
33		TA1050504R0		RUBBER PLUG						2	
34		TA2101002R0		RUBBER PLUG						1	
35		TA2351004R0		RUBBER PLUG						1	
36		26212209		L-SHAPED THREAD GUIDE A					☆	1	
37		NS6090310SP		NUT 9/64-40						1	
38		G1135870000		OIL PLUG						1	
39		NS6110350SP		NUT 11/64-40						2	
40		TA1470704R0		RUBBER PLUG						1	
41		G35328750A0		OIL WICK PRESSER ASM.						1	
42		B3502210000		OIL WICK HOLDER				*		1	
43		B3509220000		OIL SPONGE				*		1	
44		CQ252000000		OIL WICK				*		0.2	
45		SS4111215SP		SCREW11/64-40L=12						2	
46		TA0850604R0		RUBBER PLUG						3	

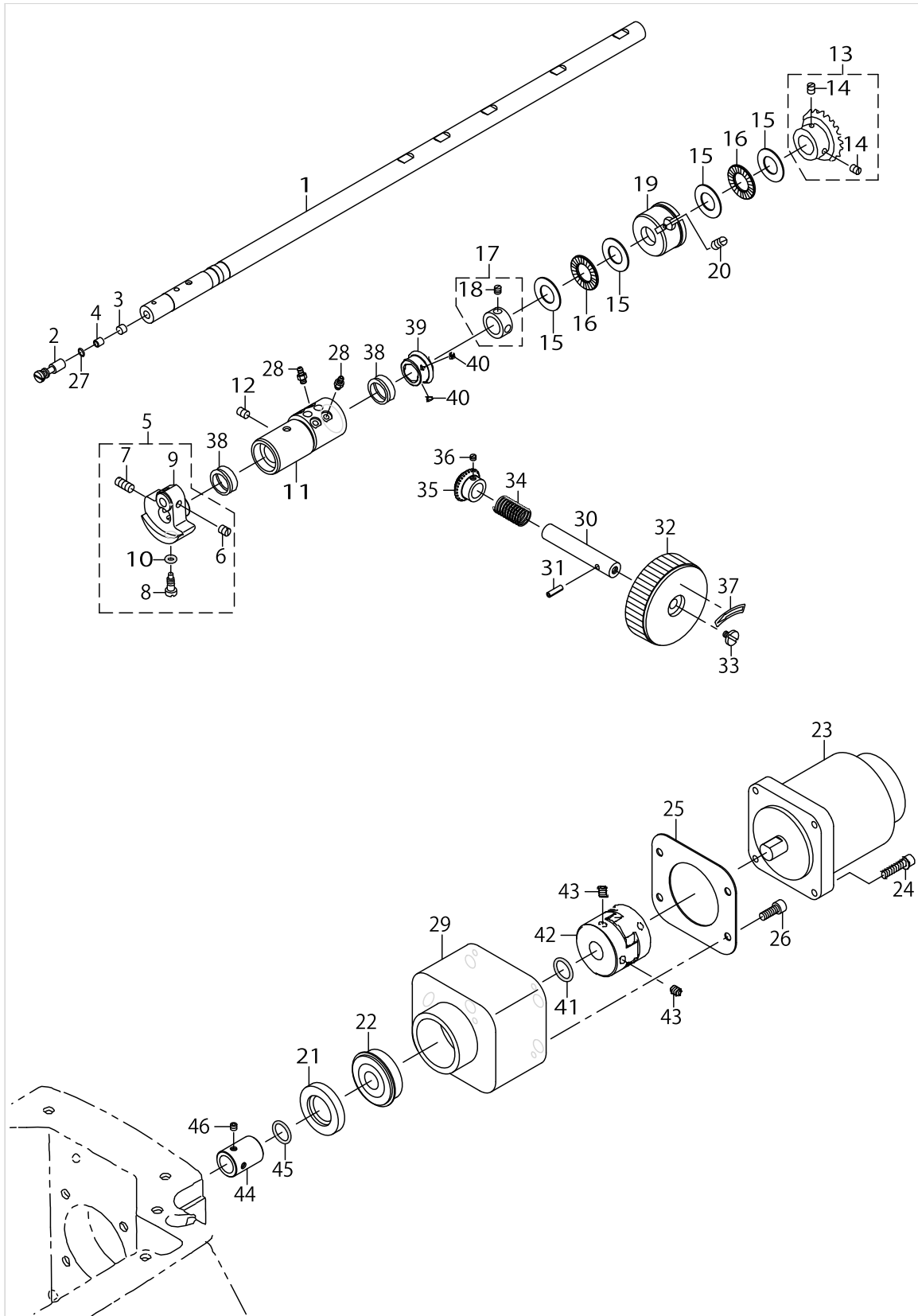
FRAME & MICCELLANEOUS COVER COMPONENTS



FRAME & MICELLANEOUS COVER COMPONENTS

No.	Supply Code	Parts No.	Replacement	Parts name	Remarks	Choice	Step	Level	Cons	Qty	Rep. QTY
47		TA1450404R0		RUBBER PLUG D=14.5 L=4						2	
48		TA1250406R0		RUBBER PLUG D=12.5 L=4						1	
49		WP0480856SP		WASHER 4.8X8.4X0.8						2	
50		22963458		THREAD TENSION ASM.						1	
51		WP0531001SC		WASHER						1	
52		SS4121215SP		SCREW 3/16-28 L=12						1	
53		13922208		TAKE-UP THREAD GUIDE B						1	
54		SS4120615SP		SCREW 3/16-28 L=6						1	

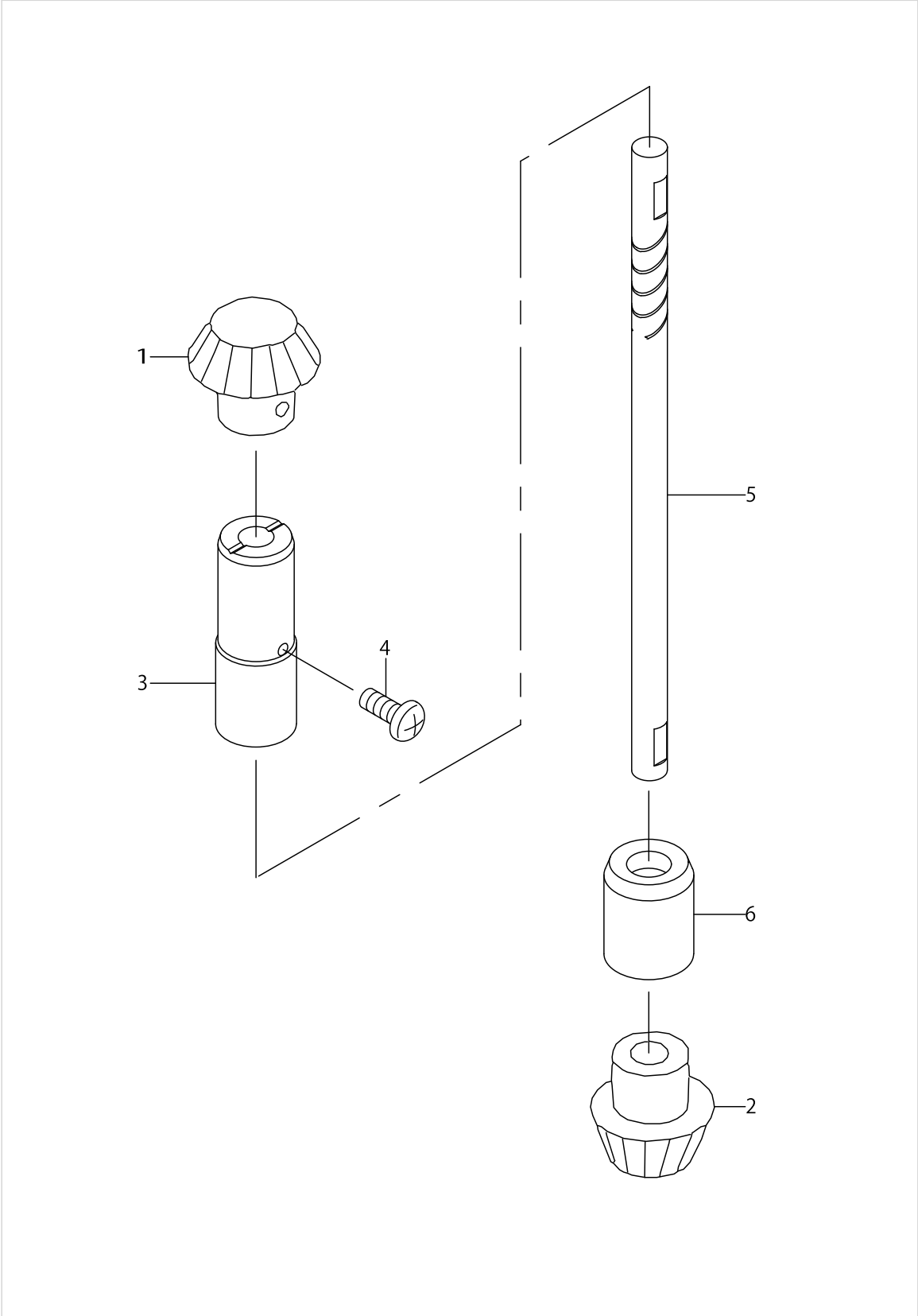
MAIN SHAFT COMPONENTS



MAIN SHAFT COMPONENTS

No.	Supply Code	Parts No.	Replacement	Parts name	Remarks	Choice	Step	Level	Cons	Qty	Rep. QTY
1		40116233		MAIN SHAFT						1	
2		B1213552000A		OIL ADJUSTING PIN						1	
3		B1226552000		ROLLER FELT						1	
4		B1215552000		OIL ADJUSTING COLLAR						1	
5		22903157		COUNTER WEIGHT ASM.						1	
6		SS8660610TP		SCREW 1/4-40 L=6				*		2	
7		SS8681650TP		SCREW 9/32-28 L=16				*		1	
8		SS7681650TP		SCREW 9/32-28 L=16				*		1	
9	R	22903108	22903157	COUNTER WEIGHT				*		1	1.00
10		RO044240100		O-RING				*		1	
11		G1206875000		MAIN SHAFT BUSHING, FRONT						1	
12		SS8150822TP		SCREW 15/64-28 L=8						1	
13		G12128700A0		UPPER BEVEL ARM ASM.						1	
14		SS8660810TP		SCREW 1/4-40 L=8				*		2	
15		B1220771000		THRUST WASHER A						4	
16		B1211980000		UPPER SHAFT THRUST BEARING						2	
17		CS150101ATH		THRUST COLLAR ASM. D=15 W=10						2	
18		SS8660530TP		SCREW 1/4-40 L= 4.5				*		2	
19		13922901		MAIN SHAFT BUSHING, INTER						1	
20		SS8150822TP		SCREW 15/64-28 L=8						1	
21		G1220870000A		OIL SHEEL						1	
22		G1216870000		UPPER SHAFT REAR BEARING						1	
23		40052937		550W SERVO MOTOR					☆	1	
24		SL6052592TN		SCREW M5 L=25						4	
25		40116232		MOTOR MOUNT PACKING					☆	1	
26		SS6151612TP		SCREW						4	
27		RO029180100		RUBBER RING						1	
28		SQ1110402MZ		CONNECTING SCREW						4	
29		40116034		MOTOR MOUNT						1	
30		40116235		NEAR PULLEY SHAFT						1	
31		PS0400142KH		SPRING PIN 4X14						1	
32		B1212210D00		PULLEY						1	
33		A1230500000A		HANDWHEEL SETSCREW						1	
34		D3902481C00A		SPRING						1	
35		40006516		GEAR B						1	
36		SM8040310SS		SCREW M4 L=3						2	
37		B1144210000		REVOLVING DIRECTION LABEL						1	
38		13707500		OIL SEAL						2	
39		40006515		GEAR A						1	
40		SM8040310SS		SCREW M4 L=3						2	
41		RO154240100		O-RING						1	
42	R	23604309	40051473	COUPLING						1	1.00
43		SM8060812TP		SCREW M6 L=8						4	
44		40116234		OIL SEAL COLLER						1	
45		RO148240200		O-RING						1	
46		SM8050412TP		SCREW M5 L=4						2	

ARM SHAFT COMPONENTS



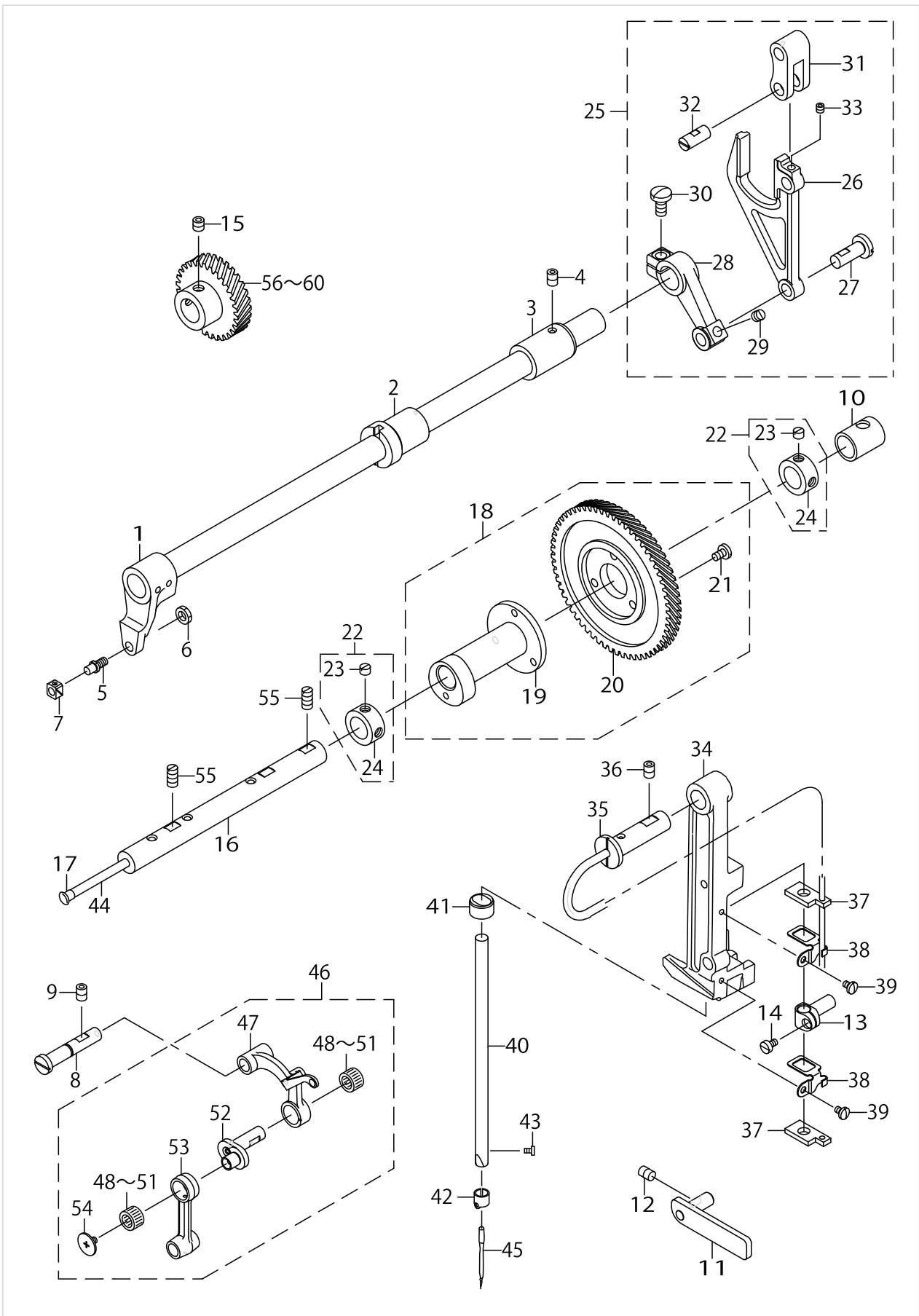
ARM SHAFT COMPONENTS

No.	Supply Code	Parts No.	Replacement	Parts name	Remarks	Choice	Step	Level	Cons	Qty	Rep. QTY
1		B13061550A0		PINION ASM.						1	
2		B13071550A0		GEAR ASM. LARGE						1	
3		G1302875000		VERTICAL SHAFT UPPER METAL						1	
4		SS4121215SP		SCREW 3/16-28 L=12						1	
5		G1301875000		VERTICAL SHAFT						1	
6		11004207		UPRIGHT SHAFT BUSHING, LOWER						1	

NEEDLE BAR COMPONENTS (1)

No.	Supply Code	Parts No.	Replacement	Parts name	Remarks	Choice	Step	Level	Cons	Qty	Rep. QTY
1		40116236		NEEDLE BAR FRAME SHAFT ASM.						1	
2		13715404		BUSHING						1	
3		13715503		BUSHING, REAR						1	
4		SS8150822TP		SCREW 15/64-28 L=8						1	
5		B1410771000		STUD						1	
6		NS6150310SP		NUT 15/64-28						1	
7		B1414232000		SQUARE BLOCK						1	
8		13730304		THREAD TAKE-UP SUPPORT ROD						1	
9		SS8150822TP		SCREW 15/64-28 L=8						1	
10	D	13719000		BEARING, REAR B						1	
11		G14058750A0		FRAME SUPPORT PLATE ASM.						1	
12		SS8150822TP		SCREW 15/64-28 L=8						1	
13		13924501		NEEDLE BAR CONNec.						1	
14		SS6090670TP		SCREW 9/64-40 L=6						1	
15		SS8660612TP		SCREW 1/4-40 L=6						2	
16		13718903		ROCK CAM SHAFT						1	
17		TA0550604R0		RUBBER PLUG						1	
18		13718754		NEEDLE BAR ROCK CAM CONNec.						1	
19	R	13718705	13718754	NEEDLE BAR ROCK CAM				*		1	1.00
20	R	13718804	13718754	NEEDLE THROW GEAR LARGE				*		1	1.00
21		SS7110710SP		SCREW 11/64-40 L=7				*		3	
22		CS140101ASP		THRUST COLLAR ASM.						2	
23		SS8150410TP		SCREW 15/64-28 L= 4.0				*		4	
24	R	CS1401014SP	CS140101ASP	THRUST COLLAR				*		2	1.00
25		G14158750A0		NEEDLE BAR FRAME ROD COMPL.						1	
26	D	G1415875000		NEEDLE BAR FRAME ROD				*		1	
27		13715701		FRAME ROCK SHAFT CRANK PIN				*		1	
28	R	G1416875000	G14158750A0	NEEDLE BAR ROCKING ARM ,REAR				*		1	1.00
29		SS8150510TP		SCREW 15/64-28 L= 4.7				*		1	
30		SS7151210SP		SCREW15/64-28L=12				*		1	
31	D	13716006		CONNECTING FORKED LINK				*		1	
32	D	13715909		CONNECTING FORKED LINK PIN				*		1	
33		SS8110422TP		SCREW 11/64-40 L=4				*		1	
34		13924600		NEEDLE BAR FRAME						1	
35		13714803		HINGE STUD						1	
36		SS8150822TP		SCREW 15/64-28 L=8						1	
37		13714704		OIL FELT						2	
38		13925102		OIL FELT HOLDER						2	
39		SS7090530SP		SCREW9/64-40L=4.5						2	
40		G1401875000		NEEDLE BAR					☆	1	
41		13920608		NEEDLE BAR OIL METAL						1	
42		22507701		THRED RACK, RIGHT					☆	1	
43		SS7080510TP		SCREW 1/8-44 L=4.5					☆	1	
44		CQ3000000F0		OIL FELT						.1	
45		MC200531300		NEEDLE 134 SERV7 NM130					☆	1	

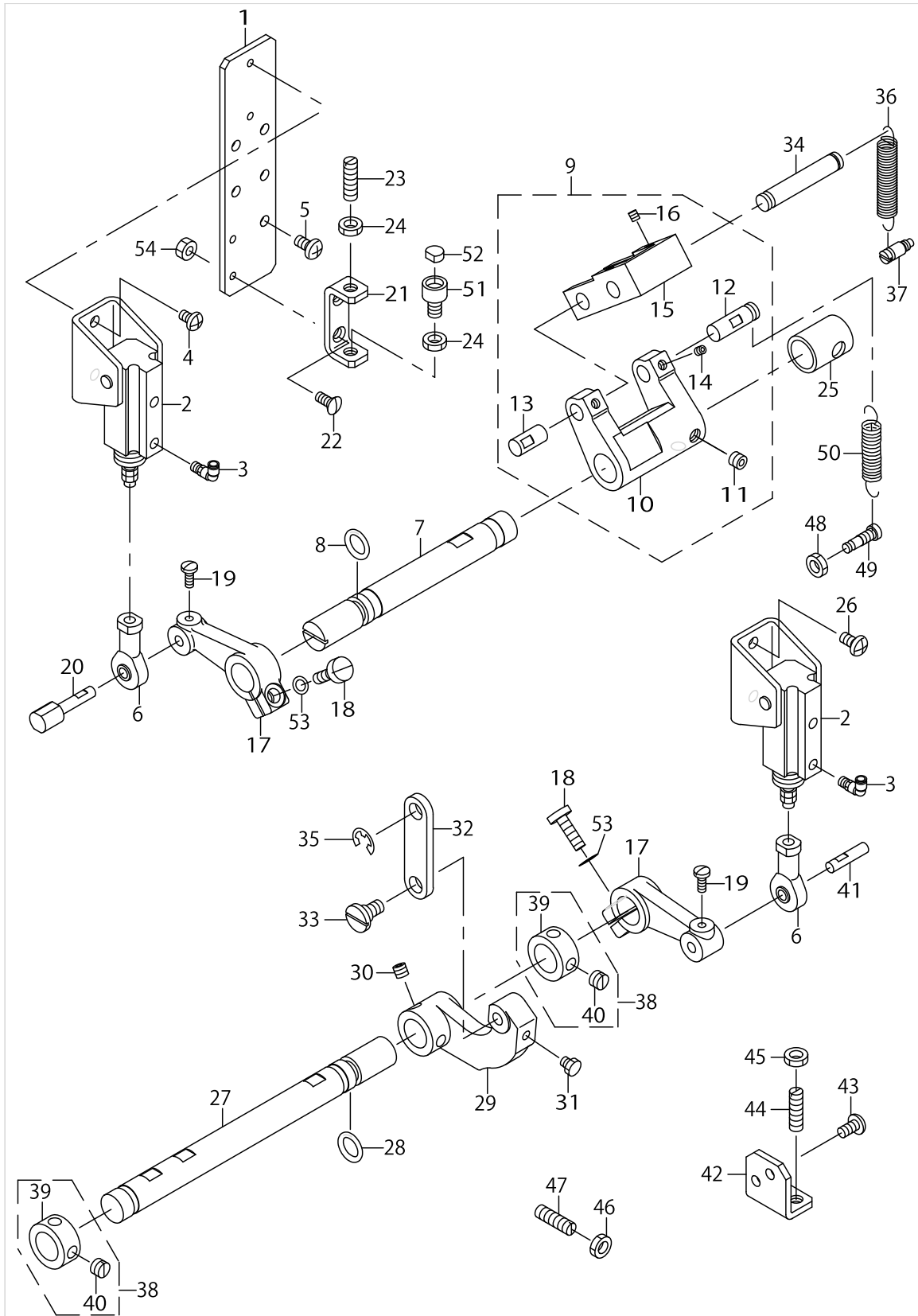
NEEDLE BAR COMPONENTS (1)



NEEDLE BAR COMPONENTS (1)

No.	Supply Code	Parts No.	Replacement	Parts name	Remarks	Choice	Step	Level	Cons	Qty	Rep. QTY
46		G19028750A0		LINK THREAD TAKE-UP LEVER ASM.					☆	1	
47	R	22918064	22918072	THREAD TAKE-UP LEVER ASM.				*		1	1.00
48		22918403		NEEDLE BEARING A	SELECTIVE PARTS			*		2	
49		22918502		NEEDLE BEARING B	SELECTIVE PARTS			*		2	
50		22918601		NEEDLE BEARING C	SELECTIVE PARTS			*		2	
51		22918700		NEEDLE BEARING D	SELECTIVE PARTS			*		2	
52		40109126		NEEDLE_BAR_CRANK_H				*		1	
53		13714407		NEEDLE BAR CRANK ROD				*		1	
54	R	22918304	B1903552000	LEFT SCREW				*		1	1.00
55		SS8151230SP		SCREW15/64-28L=12						2	
56	R	13719109	13719158	NEEDLE THROW GEAR SMALL A	SELECTIVE PARTS					1	1.00
57	R	13719208	13719257	NEEDLE THROW GEAR SMALL B	SELECTIVE PARTS					1	1.00
58		13719307		NEEDLE THROW GEAR SMALL C	SELECTIVE PARTS					1	
59	R	13719406	13719455	NEEDLE THROW GEAR SMALL D	SELECTIVE PARTS					1	1.00
60		13719505		NEEDLE THROW GEAR SMALL E	SELECTIVE PARTS					1	

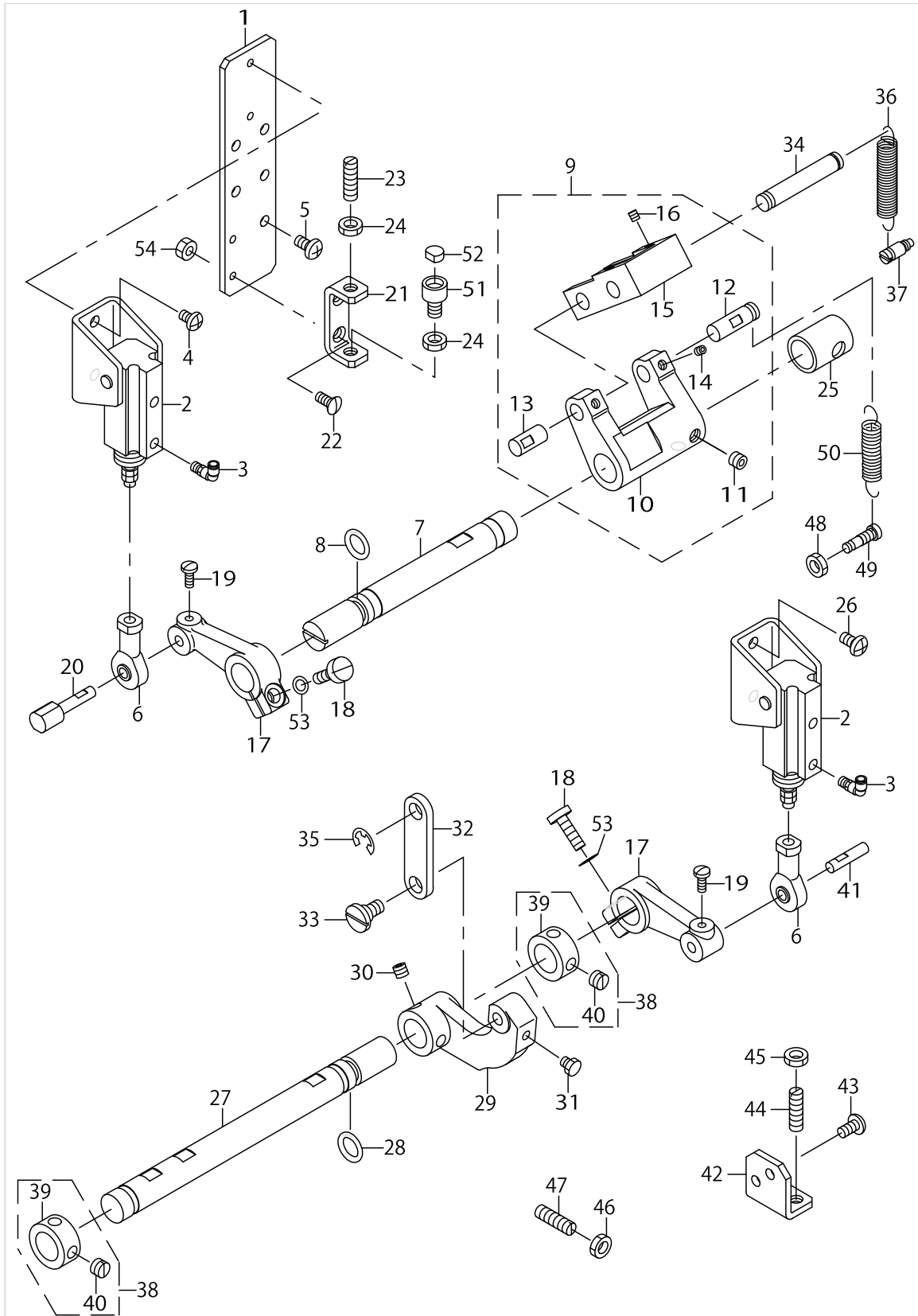
NEEDLE BAR COMPONENTS (2)



NEEDLE BAR COMPONENTS (2)

No.	Supply Code	Parts No.	Replacement	Parts name	Remarks	Choice	Step	Level	Cons	Qty	Rep. QTY
1		G1421875000		CYLINDER FITTING PLATE						1	
2		PA1501010A0		AIR CYLINDER						2	
3		PJ304040504		ELBOW UNION						4	
4		SS4110715SP		SCREW 11/64-40 L=7						2	
5		SS4120915SP		SCREW 3/16-28 L=9						5	
6		G6505880000		ROD END B						2	
7		G1424875000		REPOSITIONING LEVER SHAFT						1	
8		RO098240100		RUBBER RING						1	
9		40055174		REPOSITIONING LEVER ASM.						1	
10		40055176		REPOSITIONING LEVER				*		1	
11		SS8660512TP		SCREW 1/4-40 L=5				*		2	
12		13716303		REGULATING LEVER LINK STUD				*		1	
13		G1431875000		REGULATING LEVER LINK STUD				*		1	
14		SS8110422TP		SCREW 11/64-40 L=4				*		2	
15		40055175		REGULATING LEVER LINK				*		1	
16		SS8110422TP		SCREW 11/64-40 L=4				*		2	
17		G1426875000		REGULATING LEVER LINK STUD						2	
18		SS9151630CP		SCREW 15/64-28 L=15.5						2	
19		SS7090920SP		SCREW 9/64-40 L=8.5						2	
20		G1422875000		REPOSITIONING CYLINDER SHAFT						1	
21	D	G1423875000		REPOSITIONING STOPPER PLATE						1	
22		SS2111010TP		SCREW 11/64-40 L=9.5						2	
23		SS8152030SP		SCREW 15/64-28 L=20						1	
24		NS6150310SP		NUT 15/64-28						2	
25	D	13719000		BEARING, REAR B						1	
26		SS4120915SP		SCREW 3/16-28 L=9						2	
27		G1427875000		REGULATING LEVER SHAFT						1	
28		RO098240100		RUBBER RING						1	
29		G1428875000		REGULATING LEVER						1	
30		SS8660512TP		SCREW 1/4-40 L=5						2	
31		SS9110513TP		SCREW 11/64-40 L=5						1	
32	D	13717004		REGULATING HINGE PIN						1	
33		SD0800402TP		HINGE SCREW D= 8 H= 4						1	
34	D	13716105		CONNECTING STUD						1	
35		RE0600000K0		E-RING 6						1	
36		13717400		SPRING B						1	
37		B2006372000		ADJUSTING SCREW						1	
38		CS140101ASP		THRUST COLLAR ASM.						2	
39	R	CS140101ASP	CS140101ASP	THRUST COLLAR				*		1	1.00
40	R	SS8150410SP	SS8150410TP	SCREW 15/64-28 L=4				*		2	1.00
41		G1429875000		REGULATING CYLINDER SHAFT						1	
42		G1430875000		REGULATING STOPPER PLATE						1	
43		SS4120915SP		SCREW 3/16-28 L=9						2	
44		SS8152030SP		SCREW 15/64-28 L=20						1	
45		NS6150310SP		NUT 15/64-28						1	
46		NS6150310SP		NUT 15/64-28						1	

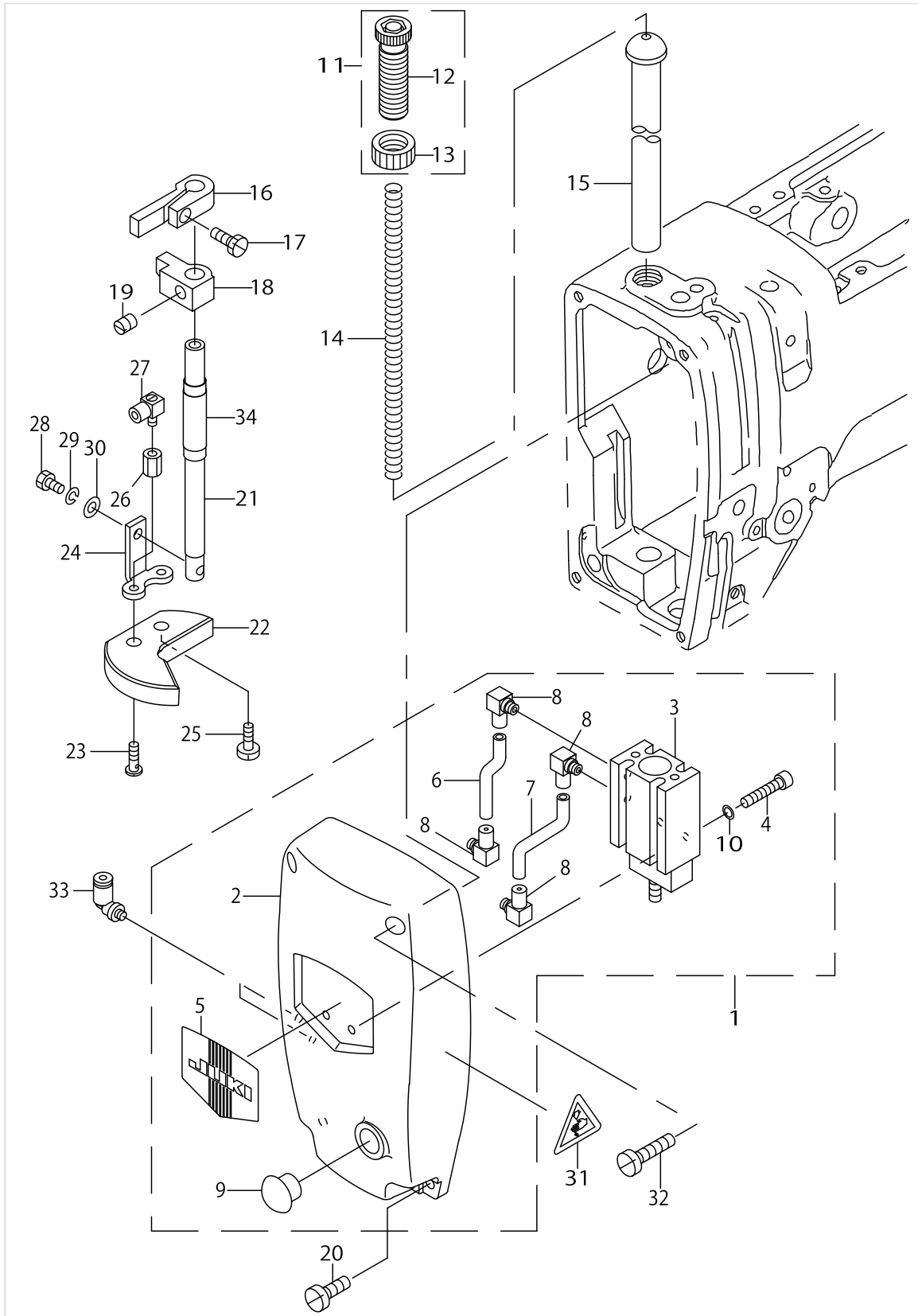
NEEDLE BAR COMPONENTS (2)



NEEDLE BAR COMPONENTS (2)

No.	Supply Code	Parts No.	Replacement	Parts name	Remarks	Choice	Step	Level	Cons	Qty	Rep. QTY
47		SS8152030SP		SCREW 15/64-28L=20						1	
48		NS6150310SP		NUT 15/64-28						1	
49		13716907		SUSPENSION SCREW						1	
50		13716808		SPRING						1	
51		40009095		SWING ARM STOPPER						1	
52		B1432761000		SWING ARM STOPPER RUBBER						1	
53		WP0621026SP		WASHER 6.2X9.5X1						2	
54		NS6110420SP		NUT 11/64-40						2	

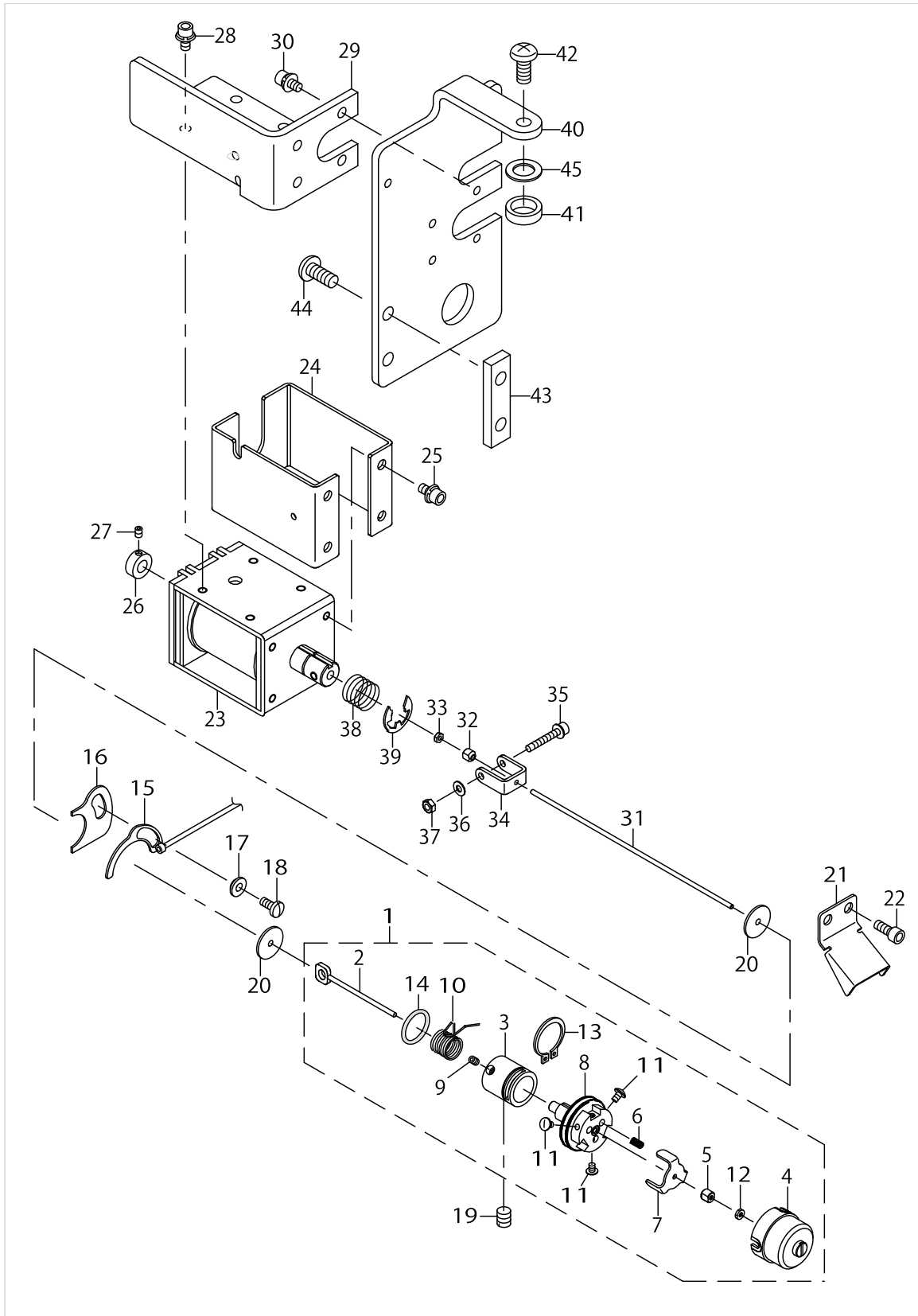
PRESSER MECHANISM COMPONENTS



PRESSER MECHANISM COMPONENTS

No.	Supply Code	Parts No.	Replacement	Parts name	Remarks	Choice	Step	Level	Cons	Qty	Rep. QTY
1		G16018750A0		FACE COVER ASM.						1	
2		G1601875000		FACE COVER				*		1	
3		PA200201000		FREE-MOUNT CYLINDER				*		1	
4		SM6052502TP		SCREW M5X0.8 L=25				*		1	
5		22902506		FACE PLATE				*		1	
6		BT0400251EB		URETHANE HOSE, BLACK				*		0.1	
7		BT0400251EB		URETHANE HOSE, BLACK				*		0.1	
8		PJ046052503		HOSE ELBOW				*		6	
9		TA1250406R0		RUBBER PLUG D=12.5 L=4				*		1	
10		WP0510516SD		WASHER 5.1X7.5X0.5				*		2	
11		22907554		PRESSER SPRING REGULATOR ASM.						1	
12	R	22907505	22907554	PRESSER SPRING REGULATOR				*		1	1.00
13	R	22907604	22907554	PRESSER SPRING REGULATOR NUT				*		1	1.00
14		B1611220000		SPRING						1	
15		14208409		PRESSER GUIDE BAR						1	
16		B1504051000		PRESSER BAR GUIDE BRACKET						1	
17		SS9091010SP		SCREW 9/64-40 L=10						1	
18		G1603875000		PRESSER BAR CONNECTION						1	
19		SS8660810TP		SCREW 1/4-40 L=8						1	
20		SS4121415SP		SCREW 3/16-28 L=14						2	
21		G1604875000		PRESSER BAR						1	
22		G1606875000		PRESSER PLUNGER						1	
23		G1611870000		AIR ADJUSTING						1	
24		G1605870000		PRESSER PLUNGER FITTING PLATE						1	
25		SM4051001SN		SCREW M5						1	
26		G1610870000		PIPE ADJUSTING						1	
27		PJ046052503		HOSE ELBOW						1	
28		SS9111010SP		SCREW 11/64-40 L=9.5						1	
29		WS0451040KP		SPRING WASHER 4.5X8.5X1						1	
30		WP0450826SC		WASHER 4.5X10X0.8						1	
31		CM300200001		ATTENTION SEAL						1	
32		SS6123010SP		SCREW 3/16-28 L=30.0						2	
33		PJ304040504		UNION						2	
34		40014007		PRESSER BAR BUSHING LOWER						1	

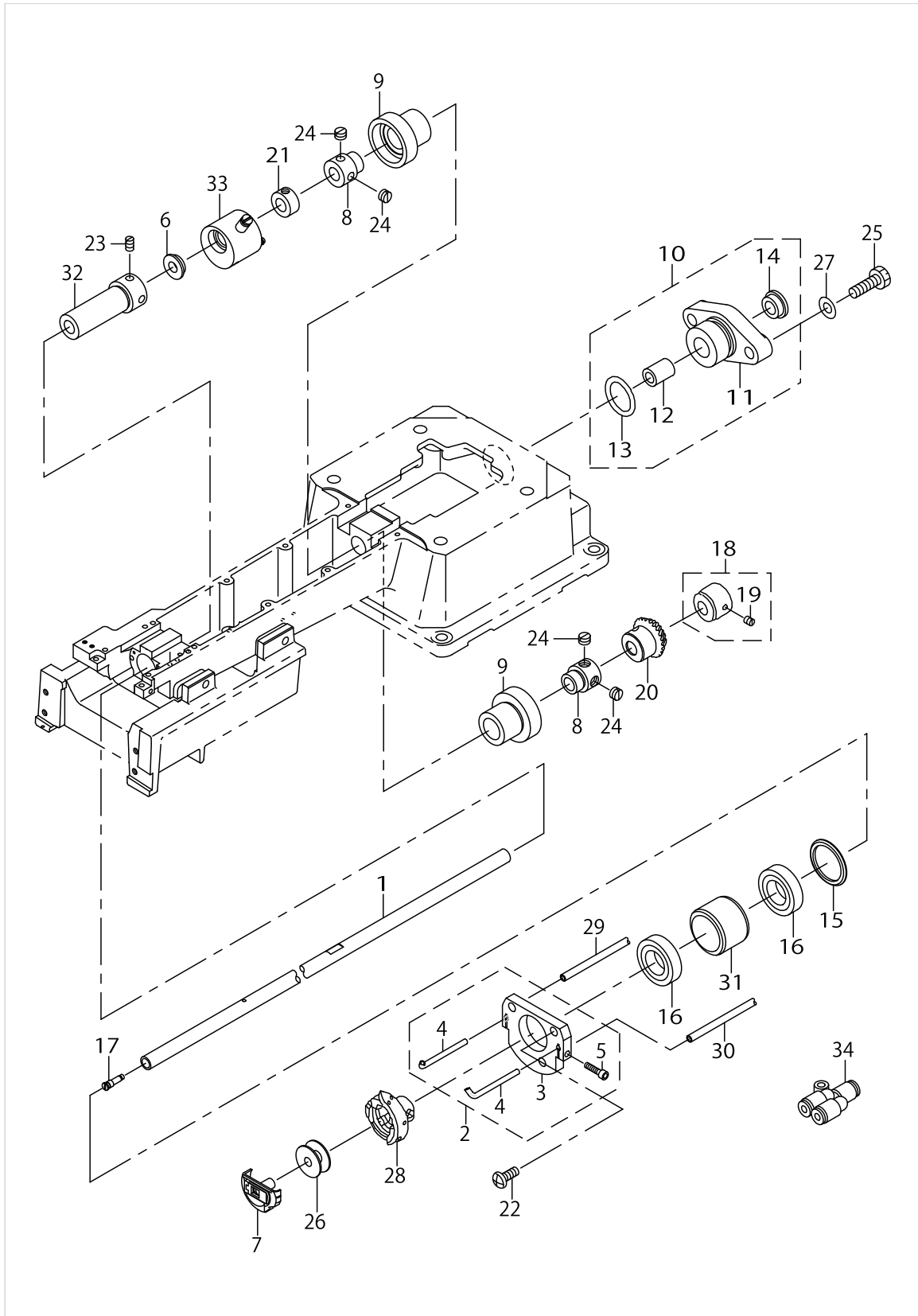
THREAD TENSION COMPONENTS



THREAD TENSION COMPONENTS

No.	Supply Code	Parts No.	Replacement	Parts name	Remarks	Choice	Step	Level	Cons	Qty	Rep. QTY
1		40116238		THREAD TENSION ASM.					☆	1	
2		40010509		THREAD TENSION SHAFT				*		1	
3		40116239		THREAD POST SOCKET				*		1	
4		40010511		DISK STOPPER HOLDER CAP				*		1	
5		40010512		THREAD TENSION SHAFT COLLAR				*		1	
6		40010513		DISK STOPPER SP				*		3	
7		40010514		DISK STOPPER				*		1	
8		40010515		ASSY THREAD TENSION POST				*		1	
9		40010478		AT SOL COLLAR SCREW				*		1	
10		22921605		THREAD TAKE-UP SPRING				*		1	
11		40010521		HOLD CAP SCREW				*		3	
12		40010522		SHAFT NUT				*		1	
13	R	40010523	40010508	POST BASE C RING				*		1	1.00
14		RO133170100		O-RING				*		1	
15		40105165		THB SENSOR ASSY						1	
16		G2313870000		THREAD CUTTING SENSOR PLATE INSULATING P						1	
17		B2703210000		BUSHING						1	
18		SS7090850SP		SCREW 9/64-40 L=8						1	
19		SS8150760TP		SCREW 15/64-28 L=7.0						1	
20		40116240		OIL SEAL RUBBER						2	
21		40116241		OIL PREUNET PLATE						1	
22		SS6111052TP		SCREW						2	
23		40016908		AT SOLENOID						1	
24		40088163		LOWER SOLENOID COVER B						1	
25		SL6040892TN		SCREW M4 L=8						4	
26		40010477		AT SOL COLLAR						1	
27		SM8030412TP		SCREW						2	
28		SL6040892TN		SCREW M4 L=8						4	
29		40116242		SOLENOID PLATE						1	
30		SL6040892TN		SCREW M4 L=8						4	
31		40116243		TENSION SHAFT						1	
32		40010512		THREAD TENSION SHAFT COLLAR						1	
33		NM6020001SC		NUT M2X0.4 TYPE1						1	
34		40016911		THREAD TENSION SHAFT HOLDER						1	
35		SL6032092TN		SCREW M3 L=20						1	
36		WP0320501SC		WASHER M3						1	
37		NM6030001SC		NUT M3X0.5 TYPE1						1	
38		40006625		SPRING						1	
39		RE0900000KP		SNAP RING 9						1	
40		40116244		AT FITTING PLATE						1	
41		22798607		SENSING BASE WASHER						1	
42		SS4151415SP		SCREW15/64-28L=14						1	
43		40116245		ATFITTINGSPACERB						1	
44		SS4151415SP		SCREW15/64-28L=14						2	
45		WP0961046SC		WASHER						1	

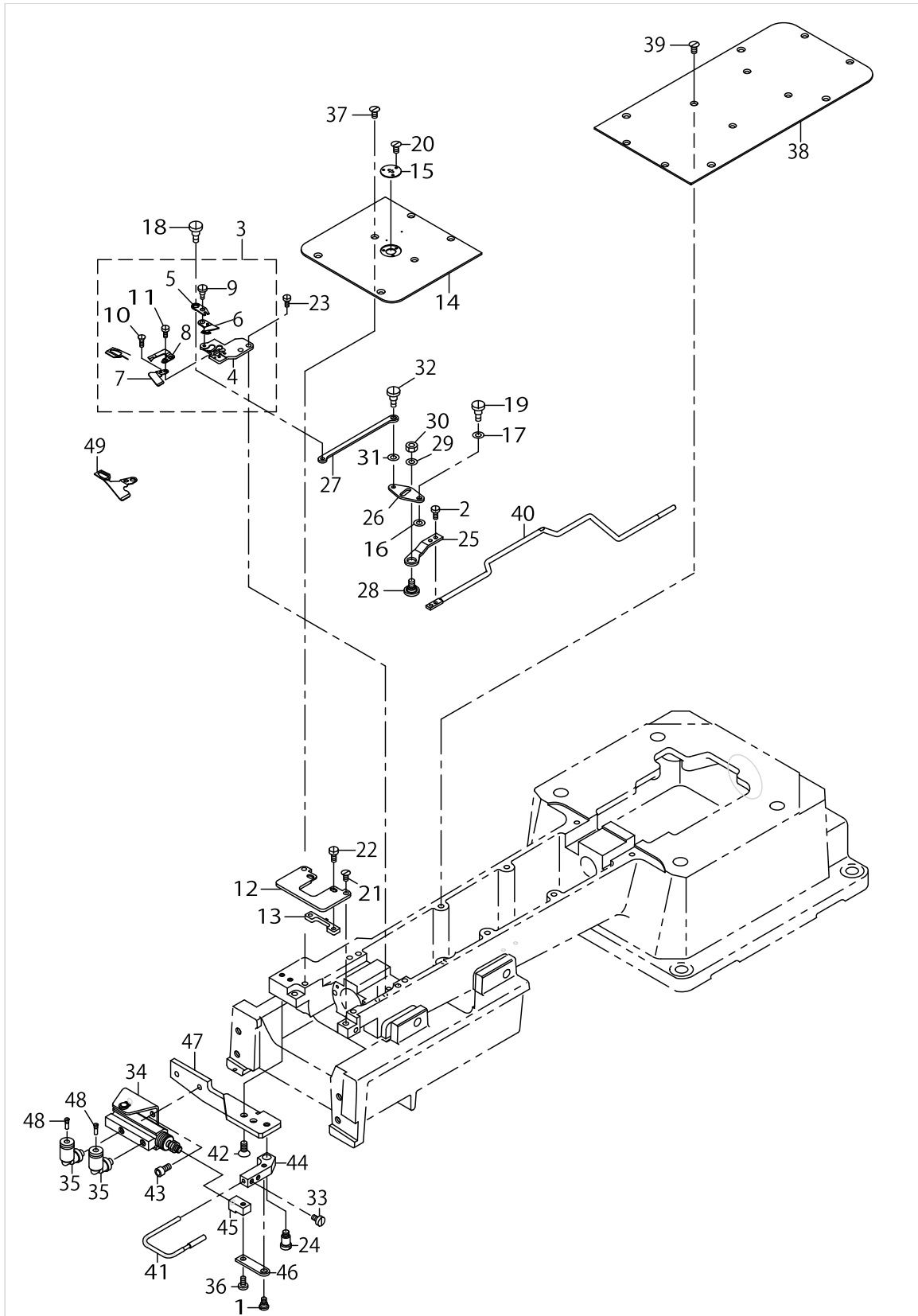
SHUTTLE DRIVER SHAFT COMPONENTS



SHUTTLE DRIVER SHAFT COMPONENTS

No.	Supply Code	Parts No.	Replacement	Parts name	Remarks	Choice	Step	Level	Cons	Qty	Rep. QTY
1	R	G1801875000	72000911	HOOK DRIVING SHAFT						1	1.00
2		G18028750A0		FIXING PLATE ASM.						1	
3		G1802875000		FIXING PLATE				*		1	
4		G1803875000		HOOK DUST REMOVAL PIPE				*		2	
5		SM6031202TP		SCREW M3X0.5 L=12				*		2	
6		G1808870000		LOWER SHAFT HOUSING BUSH						1	
7		G18168750A0		BOBBIN CASE ASM.					☆	1	
8		G1810870000		SLEEVE B						2	
9		G18118700A0		LOWER SHAFT HOUSING ASM.						2	
10		G18138700A0		LOWER SHAFT BLOCK ASM.						1	
11		G1813870000		LOWER SHAFT BLOCK				*		1	
12		11911203		BUSHING, REAR				*		1	
13		RO195240100		RUBBER RING				*		1	
14		TA1250406R0		RUBBER PLUG D=12.5 L=4				*		1	
15		G1303870000		UPPER BEARING SPACER						1	
16		G1211870000		UPPER SHAFT MID-DLE METAL BEARING						2	
17		22916506		SET SCREW						1	
18		22950950		CAM COLLAR ASM.						1	
19		SS8110520TP		SCREW 11/64-40 L= 4.5				*		1	
20		B13081550A0		PINION ASM.						1	
21		CS079073ASH		THRUST COLLAR ASM.						1	
22		SS4121215SP		SCREW 3/16-28 L=12						3	
23		SS8110750SP		SCREW 11/64-40 L= 6.5						2	
24		SS8660610TP		SCREW 1/4-40 L=6						4	
25		SS9151910SN		SCREW15/64-28L=19						2	
26		G1817875000		BOBBIN					☆	1	
27		WP0621016SD		WASHER 6.2X13X1						2	
28		40072028		HOOK X ASM.					☆	1	
29		BT0400251EB		URETHANE HOSE, BLACK						.15	
30		BT0400251EB		URETHANE HOSE, BLACK						.13	
31		G1804870000		LOWER SHAFT SPACER COLLAR						1	
32		G1805870000		SLEEVE A						1	
33		G18068700B0		LOWER SHAFT OILING HOUSING ASM.						1	
34		PJ308040002		QUICK JOINT						1	

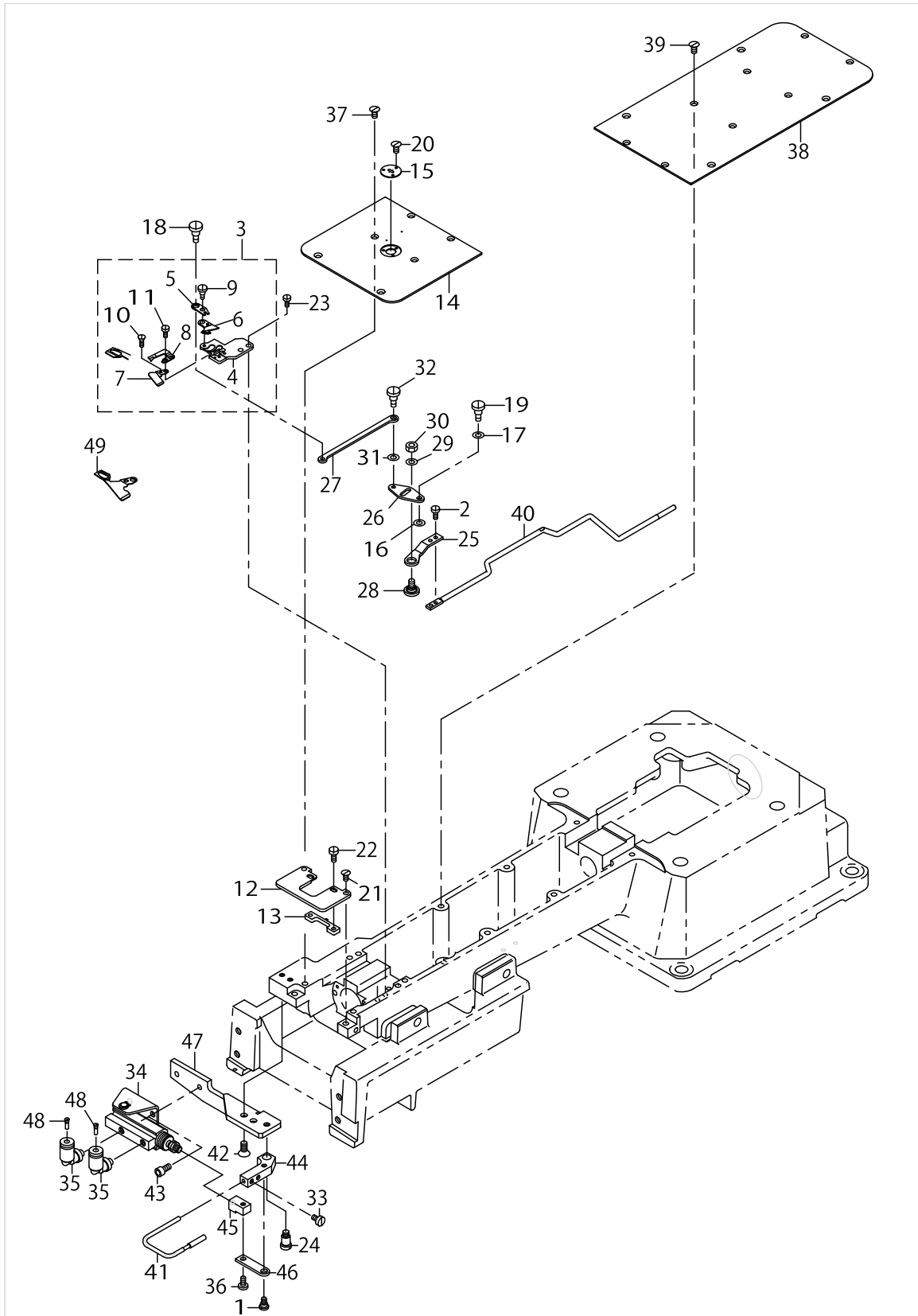
THREAD TRIMMER MECHANISM COMPONENTS (1)



THREAD TRIMMER MECHANISM COMPONENTS (1)

No.	Supply Code	Parts No.	Replacement	Parts name	Remarks	Choice	Step	Level	Cons	Qty	Rep. QTY
1		SD0500204TP		HINGE SCREW						1	
2		SS7110710SP		SCREW 11/64-40 L=7						2	
3		G24098750A0		KNIFE INSTALLING BASE ASM.						1	
4		G2409875000		KNIFE FITTING BASE				*		1	
5		G2410870000		MOVING KNIFE ARM				*		1	
6		11409257		MOVING KNIFE J.ASM.				*	☆	1	
7		11409802		THREAD TENSION GUIDE				*	☆	1	
8		11409604		FIX KNIFE				*	☆	1	
9		SD0500231TP		HINGE SCREW				*		1	
10		SS2060210SP		SCREW 3/32-56 L=2.3				*		1	
11		SS4080620TP		SCREW 1/8-44 L=6				*		2	
12		G2418875000		INSTALLING PLATE						1	
13		G2419875000		INNER HOOK PRESSER						1	
14		G2420875000		THROAT PLATE A						1	
15		G2422875000		NEEDLE HOLE GUIDE	SELECTIVE PARTS					1	
16		11273505		BRANCH SPACER						1	
17		B255728000A		WASHER FOR DRIVING ARM						1	
18		SD0600181TP		HINGE SCREW						1	
19		SD0640391TP		HINGE SCREW D= 6.35 H= 3.9						1	
20		SS1060210TP		SCREW 3/32-56 L=2.2						3	
21		SS1121010SP		SCREW						2	
22		SS6110610TP		SCREW 11/64-40 L=6						2	
23		SS6121050SP		SCREW 3/16-28 L=9.5						2	
24		SD0640752TP		HINGE SCREW D= 6.35 H= 7.5						1	
25		G2406870000		MOVING KNIFE LINK, B						1	
26		40116040		MOVING KNIFE LINK						1	
27	R	G2408870000	72000839	MOVING KNIFE LINK, D						1	1.00
28		22950000		PICKER LINK PIN						1	
29		WP0621016SH		WASHER						1	
30		NS6150430SP		NUT 15/64-28						1	
31		B1618804000		WASHER						1	
32		SD0600403TP		SHOULDER SCREW D=6 H=4						1	
33		SS6090670TP		SCREW 9/64-40 L=6						2	
34		PA1001013A0		PIN CYLINDER						1	
35		PJ304040504		UNION						2	
36		SS7090710SP		SCREW 9/64-40 L=6.8						1	
37		SS1121010SP		SCREW						4	
38		G2421875000		THROAT PLATE B						1	
39		SS1121010SP		SCREW						8	
40		40116039		CONNECTING BAR						1	
41		22950356		HOOK THREAD PRESSER ASM.						1	
42		SS2111010TP		SCREW 11/64-40 L=9.5						2	
43		SM6040802TP		SCREW M4X0.7 L=8						2	
44		G2415875000		PICKER HOLDER						1	
45		G2416875000		PICKER CYLINDER PIN						1	
46		G2417875000		PICKER LINK						1	

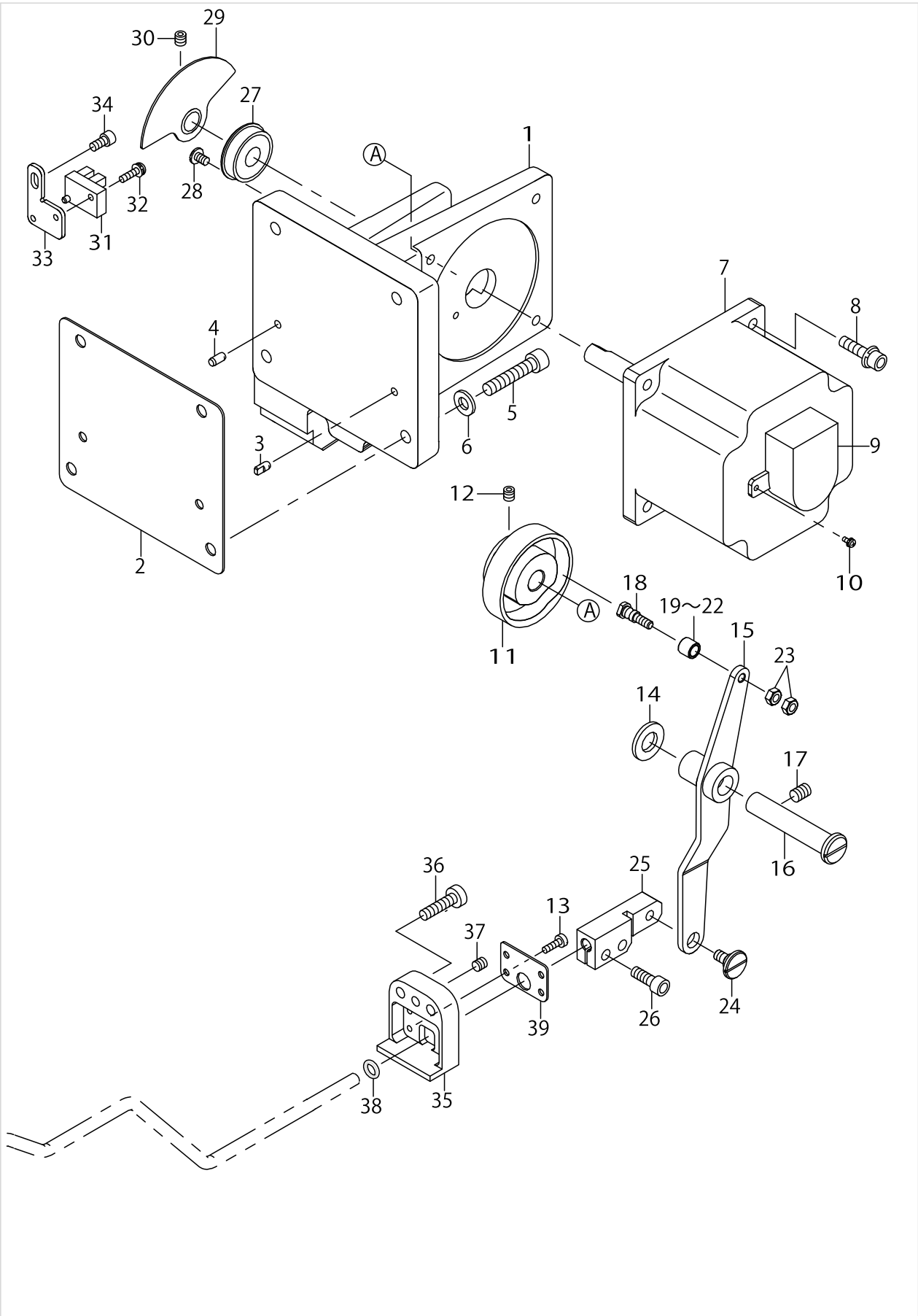
THREAD TRIMMER MECHANISM COMPONENTS (1)



THREAD TRIMMER MECHANISM COMPONENTS (1)

No.	Supply Code	Parts No.	Replacement	Parts name	Remarks	Choice	Step	Level	Cons	Qty	Rep. QTY
47		40116246		PICKER BASE						1	
48		PC022403E00		INSERT RING 0.5						2	
49		D2405415D0L		THREAD GUIDE						1	

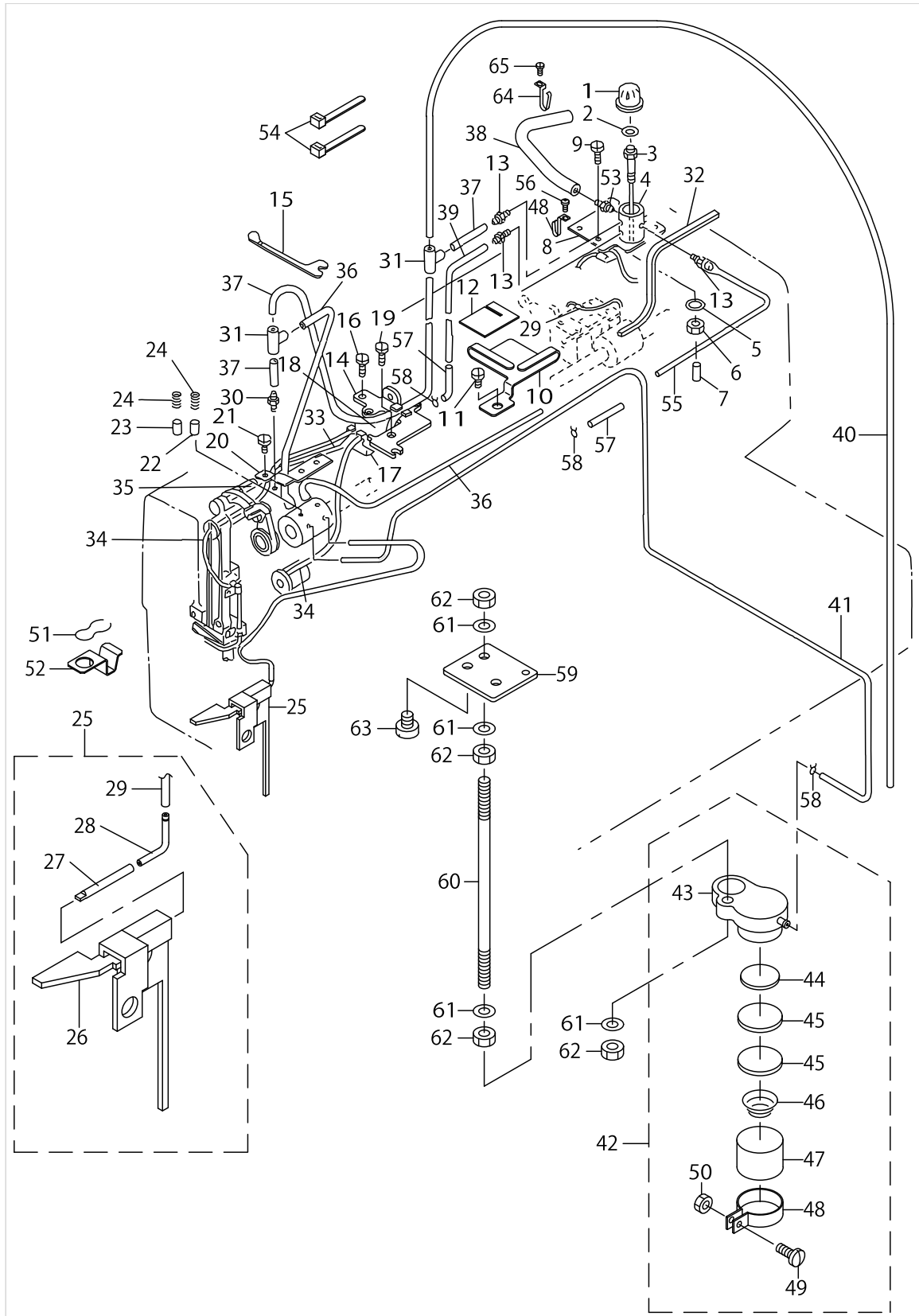
THREAD TRIMMER MECHANISM COMPONENTS (2)



THREAD TRIMMER MECHANISM COMPONENTS (2)

No.	Supply Code	Parts No.	Replacement	Parts name	Remarks	Choice	Step	Level	Cons	Qty	Rep. QTY
1		40116036		SOLENOID BASE						1	
2		40116037		SOLENOID BASE CUSHION						1	
3		13301908		DOWEL PIN						1	
4		13302500		DOWEL PIN 2						1	
5		SM6063002TP		SCREW M6 L=30						4	
6		WP0641601SC		WASHER M6						4	
7		40071944		STEPPING MOTOR						1	
8		SL6052092TN		SCREW M5 L=20						4	
9		HD002780000		SENSOR						1	
10		SL4020591SC		SCREW M2 L=5						2	
11		40116038		THREAD TRIMMER CAM						1	
12		SM8050592TP		SCREW						2	
13		SM6031010SC		SCREW M3X0.5 L=10						4	
14		40078113		COLLAR						1	
15		40072228		THREAD TRIMMER LINK ASM.						1	
16		40023624		THREAD TRIMMER SHAFT						1	
17		SM8060812TP		SCREW M6 L=8						2	
18		40040256		CAM ROLLER SHAFT						1	
19		23517501		NEEDLE CAM ROLLER A						1	
20		23517600		NEEDLE CAM ROLLER B						1	
21		23517709		NEEDLE CAM ROLLER C						1	
22		23517808		NEEDLE CAM ROLLER D						1	
23		NM6040001SP		NUT M4X0.7 TYPE1						2	
24		SD0800327TP		SHOULDER SCREW D=8 H=3.2						1	
25		40116041		CONNECTING BAR JOINT						1	
26		SM6051402TP		SCREW M5X0.8 L=14						2	
27		SB110002400		BEARING						1	
28		SM6040650TP		SCREW						1	
29		40116042		SENSOR SLIT ASM.						1	
30		SM8050592TP		SCREW						2	
31		HD00057000A		SENSOR						1	
32		SL4031291SC		SCREW M3 L=12						1	
33		40010443		SENSOR INSTALLING BASE						1	
34		SM6040802TP		SCREW M4X0.7 L=8						1	
35		40116247		COUPLING SHAFT OIL BASE						1	
36		SM6052010SC		SCREW M5X0.8 L=20						2	
37		SM8050502TP		SCREW M5 L=5						1	
38		RO055200100		O-RING						2	
39		40116248		OIL SEAL RUBBER PLATE						1	

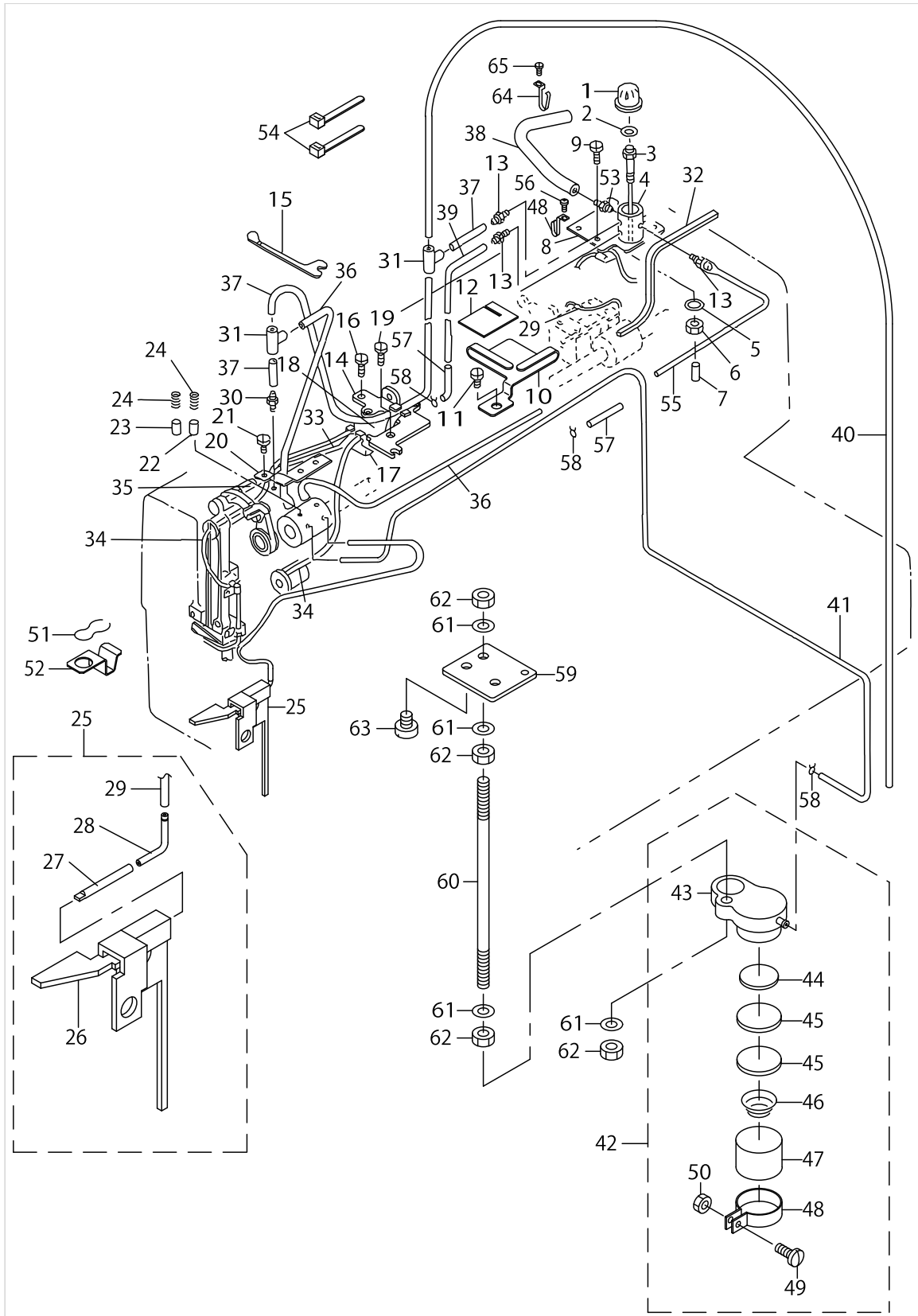
LUBRICATION COMPONENTS (1)



LUBRICATION COMPONENTS (1)

No.	Supply Code	Parts No.	Replacement	Parts name	Remarks	Choice	Step	Level	Cons	Qty	Rep. QTY
1		13765904		OIL WINDOW						1	
2		RO098190100		RUBBER RING						1	
3		13765706		SHAFT SUPPORTER						1	
4		13765805		SHAFT						1	
5		RO036080200		RUBBER RING						1	
6		NS6110420SP		NUT 11/64-40						1	
7		TA0180401M0		NEEDLE COOLER PLUG CAP						1	
8		G3531875000		FITTING PLATE						1	
9		SS4120615SP		SCREW 3/16-28 L=6						2	
10		13940804		FELT GUIDE B						1	
11		SS4120615SP		SCREW 3/16-28 L=6						1	
12		G3522870000		HOOK FELT						1	
13		SQ1110402MZ		CONNECTING SCREW						3	
14		13751607		STOPPER PLATE						1	
15		13767603		UPPER FACE COVER PACKING						1	
16		SS6120940SP		SCREW 3/16-28 L=9						2	
17	D	13766407		OIL TANK B						1	
18		13766506		OIL TANK B FELT						2	
19		SS7110350SP		SCREW 11/64-40 L=3.5						1	
20		13766605		THRUST PLATE						1	
21		SS7150740SP		SCREW 15/64-28 L=7						1	
22		13767405		PLUNGER						1	
23		B3534155000		PLUNGER						1	
24		B1214038000		PLUNGER SPRING						2	
25		G35178750A0		FACE PLATE OIL FELT ASM.						1	
26		G3517875000		FACEPLATE OIL FELT				*		1	
27		13941307		OIL RETURN FELT PIPE				*		1	
28		13728506		OIL RETURN FELT CONNEC. PIPE				*		1	
29		BT0500300EG		OIL TUBE				*		0.2	
30		SQ1120451MZ		CONNECTING SCREW						1	
31		13765607		OIL CONNEC. ARM						2	
32		B3541012000		OIL WICK						1	
33		CQ303000000		OIL WICK						.8	
34		CQ202000000		OIL WICK						1.4	
35		CQ3000000F0		OIL FELT						.04	
36		BT0500300EG		OIL TUBE						.24	
37		BT0500300EA		OIL TUBE						.24	
38		BT0500300EA		OIL TUBE						.14	
39		BT0500300EA		OIL TUBE						.21	
40		BT0500300EA		OIL TUBE						.65	
41		BT0500300EA		OIL TUBE						.8	
42		13941653		OIL PUMP BASE ASM.						1	
43		13941604		OIL PUMP BASE				*		1	
44		B3570771000		FILTER				*		1	
45	D	13765201		OIL FILTER				*		2	
46		B3118352000		THREAD TENSION SPRING				*		1	

LUBRICATION COMPONENTS (1)



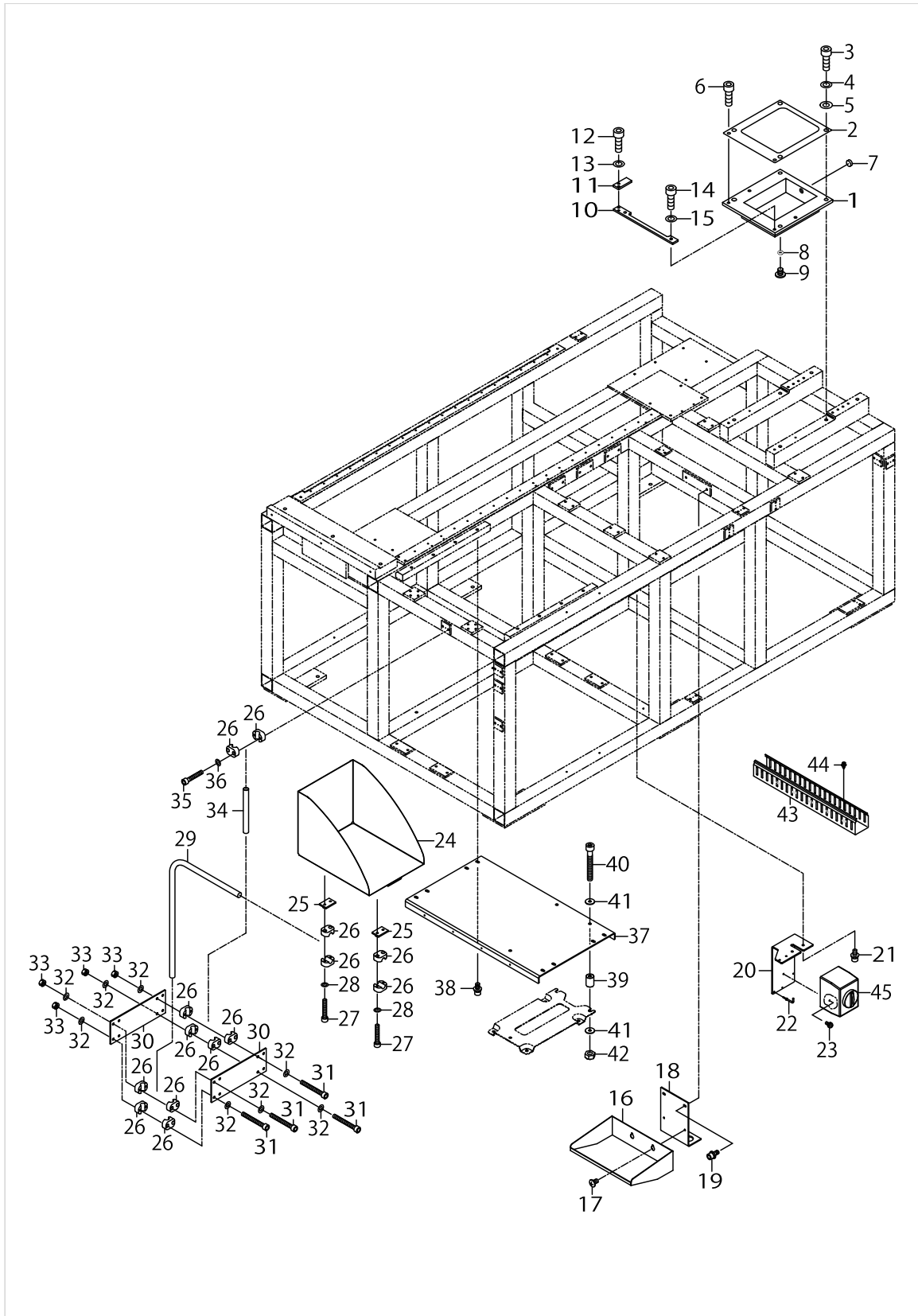
LUBRICATION COMPONENTS (1)

No.	Supply Code	Parts No.	Replacement	Parts name	Remarks	Choice	Step	Level	Cons	Qty	Rep. QTY
47	R	13941802	13941653	FILTER				*		1	1.00
48	R	B1850512000	40009379	BUSHING HOLDER				*		1	1.00
49		SS6090910SP		SCREW 9/64-40 L=9				*		1	
50		NS6090310SP		NUT 9/64-40				*		1	
51		22925101		OIL FELT PRESSER						1	
52	D	G3516875000		FACE PLATE OIL FELT PRESSER						1	
53		SQ1110451MZ		CONNECTING SCREW						1	
54		EA9500B0100		CABLE BAND						2	
55		BT0500300EA		OIL TUBE						.1	
56		SS4110515SP		SCREW 11/64-40 L=5						1	
57		13940903		OIL WICK A						2	
58		10126803		OIL TUBE HOLDER						3	
59		40116249		OIL BASE FITTING PLATE						1	
60		40116250		OIL BASE FITTING SHAFT						1	
61		WP0531000SC		WASHER 5.3X10X1						4	
62		NM6050003SC		NUT M5X0.8						4	
63		SS6120620TP		SCREW						2	
64		B3508220000		OIL TUBE HOLDER						2	
65		SS4120615SP		SCREW 3/16-28 L=6						1	

LUBRICATION COMPONENTS (2)

No.	Supply Code	Parts No.	Replacement	Parts name	Remarks	Choice	Step	Level	Cons	Qty	Rep. QTY
1		BT0500300EG		OIL TUBE						.09	
2		G3515870000		HOOK OILING MANIFOLD						1	
3		22925002		OIL REGULATOR SCREW						1	
4		22924906		OIL REGULATOR SCREW SPRING						1	
5		G3514870000		STUD						2	
6	D	G3513870000		BYLANE FITTING PLATE						1	
7		G3528875000		STOPPER RUBBER A						1	
8		G3529875000		STOPPER RUBBER B						1	
9		SS6110610TP		SCREW 11/64-40 L=6						2	
10		PJ304040504		UNION						1	
11		SQ1110401MZ		CONNECTING SCREW						1	
12		G3526870000		OIL SUPPLY PLATE, A						1	
13		G3527870000		OIL SUPPLY PLATE, B						1	
14		G3528870000		PLUG, A						1	
15		G3529870000		PLUG, B						1	
16		G3520870000		OILING HOUSING FIXING PLATE						1	
17		SS7120710SP		SCREW 3/16-28 L=7						2	
18		40116257		LOWER SHAFT BAF- FLE HOLDING PLATE						1	
19		SS7110510SP		SCREW 11/64-40 L=5						2	
20		G3519870000		LOWER SHAFT BAFFLE						1	
21		PJ032052503		HOSE NIPPLE						1	
22		PJ020500001		PLUG						4	

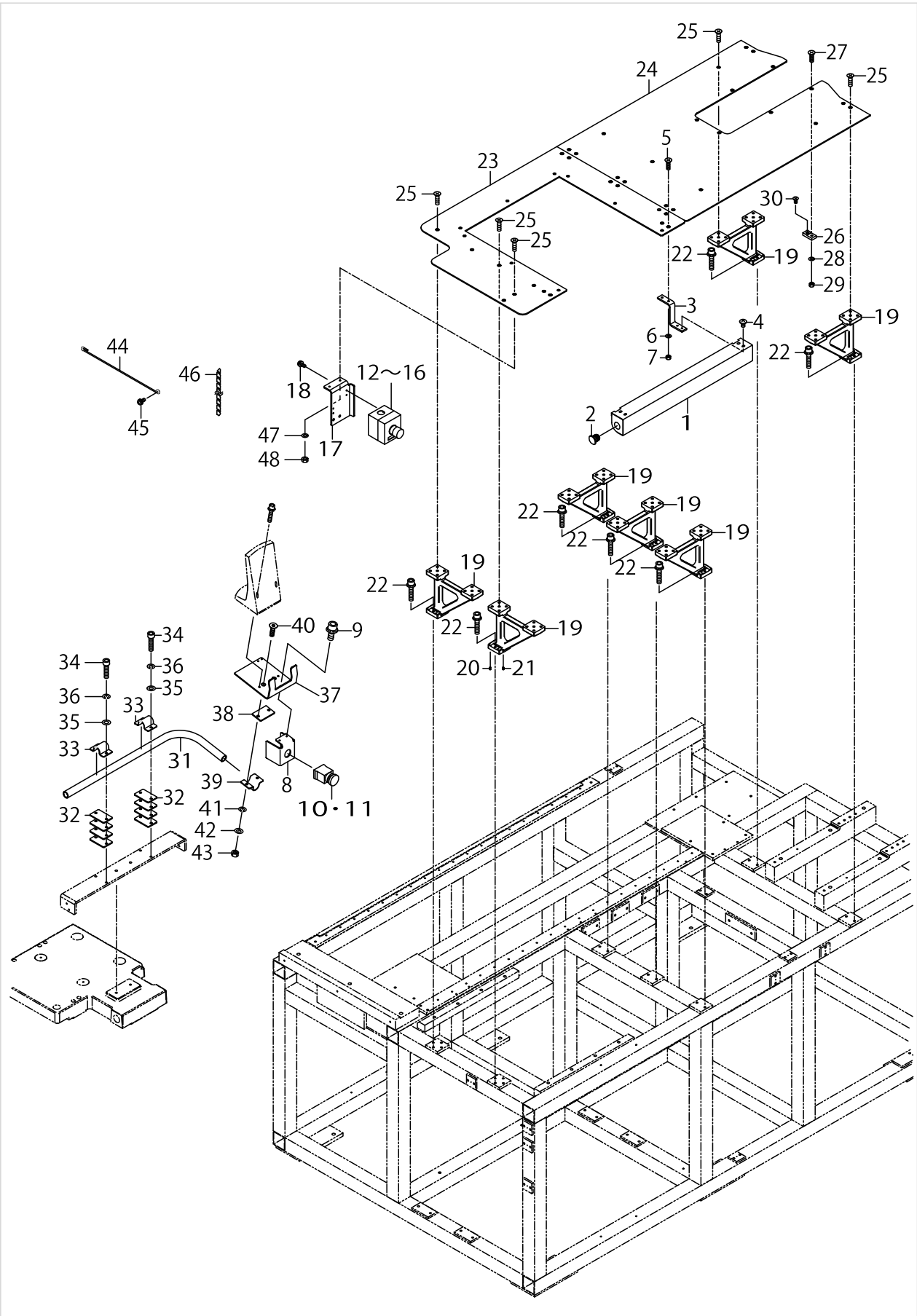
MAIN BODY COVER COMPONENTS (1)



MAIN BODY COVER COMPONENTS (1)

No.	Supply Code	Parts No.	Replacement	Parts name	Remarks	Choice	Step	Level	Cons	Qty	Rep. QTY
1		40116033		OIL PAN						1	
2		40116548		BACK COVER PACKING						1	
3		SM6104502TP		SCREW M10 L=45						4	
4		WS1020002KN		SPRING WASHER M10						4	
5		WP1052001SC		WASHER 10						4	
6		SM6041202TN		SCREW M4X0.7 L=12						4	
7		B1172581000A		CHAMBER OIL SIGHT GAUGE						1	
8		13170105		RUBBER RING						1	
9		SM0081001SD		SCREW						1	
10		G8011870000		BED STOPPER A						1	
11		G8012870000		BED STOPPER B						1	
12		SM6061602TP		SCREW M6 L=16						2	
13		WP0641601SC		WASHER M6						2	
14		SM6062502TN		SCREW						2	
15		WP0641601SC		WASHER M6						2	
16		G8113875000		OIL RESERVOIR						1	
17		SM0050801SC		SCREW						2	
18		40116214		OIL PAN INSTALLING PLATE						1	
19		SL6061492TN		SCREW M6 L=14						2	
20		40116172		MAIN SW BRACKET						1	
21		SL6061492TN		SCREW M6 L=14						2	
22		G5026162000		HOOK						1	
23		SL4041081SC		SCREW M4 L=10						2	
24		40116219		POCKET PUTTING STAND						1	
25		G7525870000		PIPE CLAMP LOWER PLATE						2	
26		G7524870000		PIPE CLAMP MAIN BODY						14	
27	R	SM6063502TN	SM6063502TP	HEXAGONAL-HOLE BOLT M6 L=35						4	1.00
28		WP0641600SC		WASHEW6.4X12.5X1.6						4	
29		G7515870000		GARMENT PRESSER HOLDER PIPE						1	
30		G8018875000		POCKET PUT BASE SUPPORT PLATE						2	
31		SM6065002TP		SCREW M6 L=50						8	
32		WP0641601SC		WASHER M6						16	
33		NM6060001SC		NUT M6X1 TYPE1						8	
34		G7521870000		GARMENT CLEARING ARM STOPPER						1	
35	R	SM6063502TN	SM6063502TP	HEXAGONAL-HOLE BOLT M6 L=35						2	1.00
36		WP0641600SC		WASHEW6.4X12.5X1.6						2	
37		40116220		CONTROLL BOX PLATE						1	
38		SL6061492TN		SCREW M6 L=14						8	
39		40093183		BOX SPACER						3	
40		SM6086002TN		SCREW						3	
41		WP0852086SC		WASHER M8						6	
42		NM6080001SC		NUT M8X1.25 TYPE1						2	
43		HX00013000C		CABLE DUCT						1	
44		HX004120000		SCREW RIVET						6	
45		HA005820000		SWITCH						1	

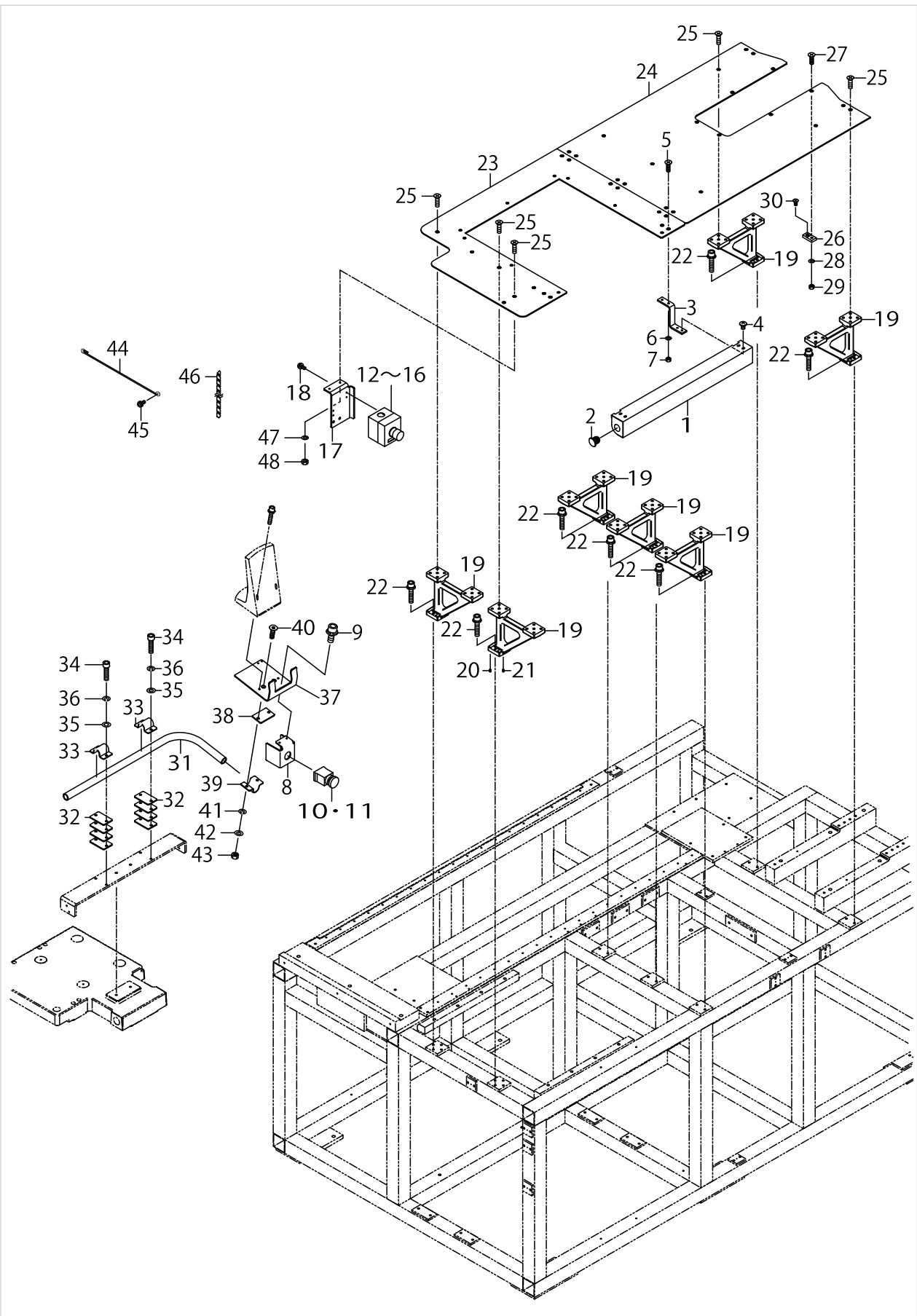
MAIN BODY COVER COMPONENTS (2)



MAIN BODY COVER COMPONENTS (2)

No.	Supply Code	Parts No.	Replacement	Parts name	Remarks	Choice	Step	Level	Cons	Qty	Rep. QTY
1		G8013875000		START SW FITTING PLATE						1	
2		HA004290000		SWITCH						2	
3		G8014875000		START SW FIXING PLATE						2	
4		SM0050801SC		SCREW						4	
5		SM1051601SC		SCREW M5X0.8 L=16						4	
6		WP0531001SC		WASHER M5						4	
7		NM6050001SC		NUT M5X0.8 TYPE1						4	
8		40116217		TEMPORARY STOP BRACKET						1	
9		SL6041092TN		SCREW M4 L=10						2	
10		HA00006000C		SWITCH						1	
11		HA004290010		SWITCH						1	
12		HA006280000		SWITCH						1	
13		HA006280010		SWITCH						1	
14		HA006280020		SWITCH						1	
15		HA006280030		SWITCH						1	
16		40091335		OFF SW BOX GND PLATE						1	
17		40116218		EMERGENCY STOP SW BRACKET						1	
18		SL4041091SC		SCREW M4 L=10						2	
19		40115898		TABLE SUPPORT						7	
20		13302500		DOWEL PIN 2						2	
21		13301908		DOWEL PIN						2	
22		SL6063092TN		SCREW M6 L=30						14	
23		40116175		TABLE A						1	
24		40116176		TABLE B						1	
25		SM1051201SC		SCREW M5X0.8 L=12						27	
26		G8010875000		THROAT PLATE FIXING PLATE						6	
27		SM1051601SC		SCREW M5X0.8 L=16						6	
28		WP0531001SC		WASHER M5						6	
29		NM6050001SC		NUT M5X0.8 TYPE1						6	
30		SM1040801SP		SCREW M4X0.7 L=8						6	
31		40116215		OPERATION PANEL PIPE						1	
32		G1016192000		CLAMP BOTTOM PLATE						8	
33		G1015192000		CLAMP						2	
34		SM6062502TN		SCREW						4	
35		WP0641601SC		WASHER M6						4	
36		WS0610002KN		SPRING WASHER M6						4	
37		40116216		PANEL PLATE						1	
38		G1016192000		CLAMP BOTTOM PLATE						1	
39		G1015192000		CLAMP						1	
40		SM1062052TP		SCREW M6 L=20						2	
41		WS0610002KN		SPRING WASHER M6						2	
42		WP0641601SC		WASHER M6						2	
43		NM6060001SC		NUT M6X1 TYPE1						2	
44		40105167		PANEL ROD						1	
45		SL4041081SC		SCREW M4 L=10						2	
46		G5454161000		SPIRAL TUBE						.2	

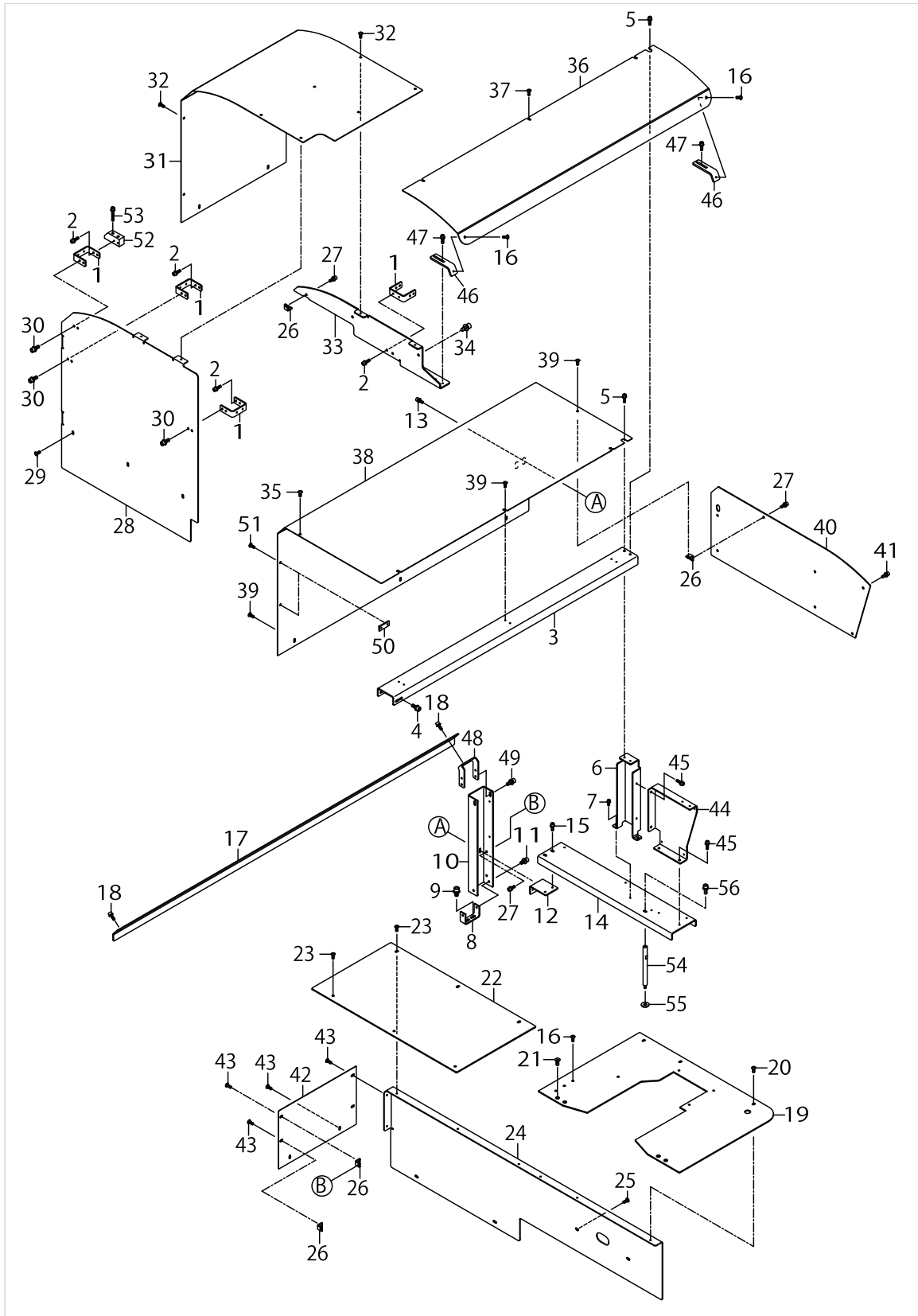
MAIN BODY COVER COMPONENTS (2)



MAIN BODY COVER COMPONENTS (2)

No.	Supply Code	Parts No.	Replacement	Parts name	Remarks	Choice	Step	Level	Cons	Qty	Rep. QTY
47		WP0531001SC		WASHER M5						2	
48		NM6050001SC		NUT M5X0.8 TYPE1						2	

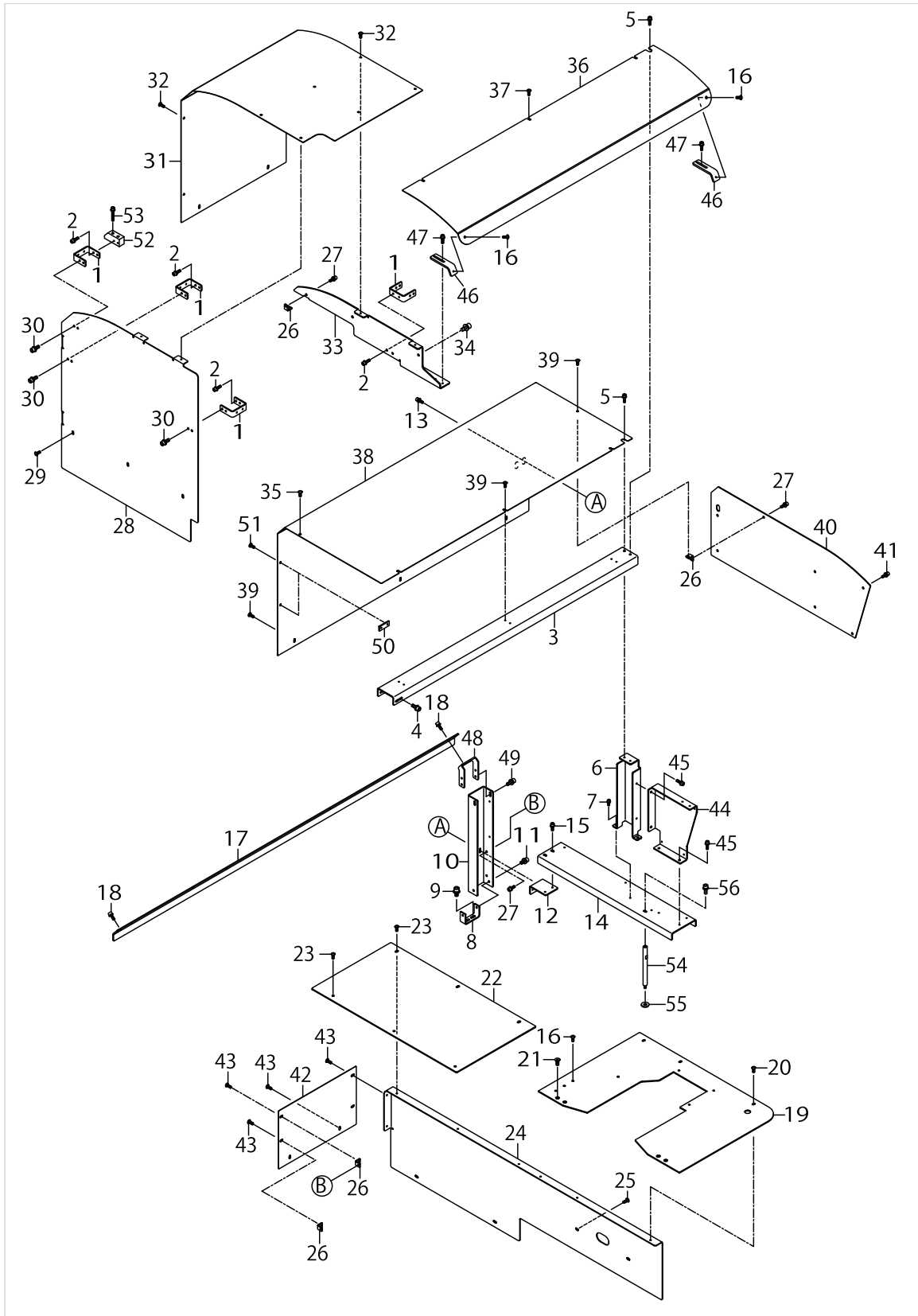
FRAME COVER COMPONENTS



FRAME COVER COMPONENTS

No.	Supply Code	Parts No.	Replacement	Parts name	Remarks	Choice	Step	Level	Cons	Qty	Rep. QTY
1		40116401		COVER STAY E						4	
2		SL6041492TN		SCREW M4 L=14						8	
3		40116402		COVER STAY A						1	
4		SL6051492TN		SCREW M5 L=14						4	
5		SL6041492TN		SCREW M4 L=14						2	
6		40116403		COVER STAY D						1	
7		SL6051492TN		SCREW M5 L=14						2	
8		40116404		TABLE SUPPORT B						1	
9		SL6061292TN		SCREW M6 L=12						2	
10		40116405		COVER STAY B						1	
11		SL6051292TN		SCREW M5 L=12						2	
12		40116406		COVER STAY C SUPPORT PLATE						1	
13		SL6041292TN		SCREW M4 L=12						2	
14		40116407		COVER STAY C						1	
15		SL6041292TN		SCREW M4 L=12						2	
16		SM0040801SC		SCREW						2	
17		40116408		COVER STAY						1	
18		SL6041292TN		SCREW M4 L=12						3	
19		40116177		COVER SFR						1	
20		SM0041001SC		SCREW M4 L=10						3	
21		SM1051201SC		SCREW M5X0.8 L=12						4	
22		40116409		COVER RIGHT						1	
23		SM0041001SC		SCREW M4 L=10						6	
24		40116410		COVER RIGHT A						1	
25		SM0041001SC		SCREW M4 L=10						4	
26		40075985		COVER ANGLE						4	
27		SL6041292TN		SCREW M4 L=12						4	
28		40116411		SIDE COVER LEFT LARGE						1	
29		SM0041001SC		SCREW M4 L=10						3	
30		SL6051492TN		SCREW M5 L=14						6	
31		40116412		COVER LEFT						1	
32		SM0041001SC		SCREW M4 L=10						10	
33		40116413		SIDE COVER LEFT SMALL						1	
34		SL6061492TN		SCREW M6 L=14						2	
35		SM0041001SC		SCREW M4 L=10						1	
36		40119074		FRONT COVER						1	
37		SM0041001SC		SCREW M4 L=10						5	
38		40116415		TOP COVER						1	
39		SM0041001SC		SCREW M4 L=10						11	
40		40116416		RIGHT COVER						1	
41		SM0041001SC		SCREW M4 L=10						7	
42		40116417		REAR COVER						1	
43		SM0041001SC		SCREW M4 L=10						6	
44		40116418		COVER STAY F						1	
45		SL6041492TN		SCREW M4 L=14						4	
46		40116419		COVER STAY H						2	

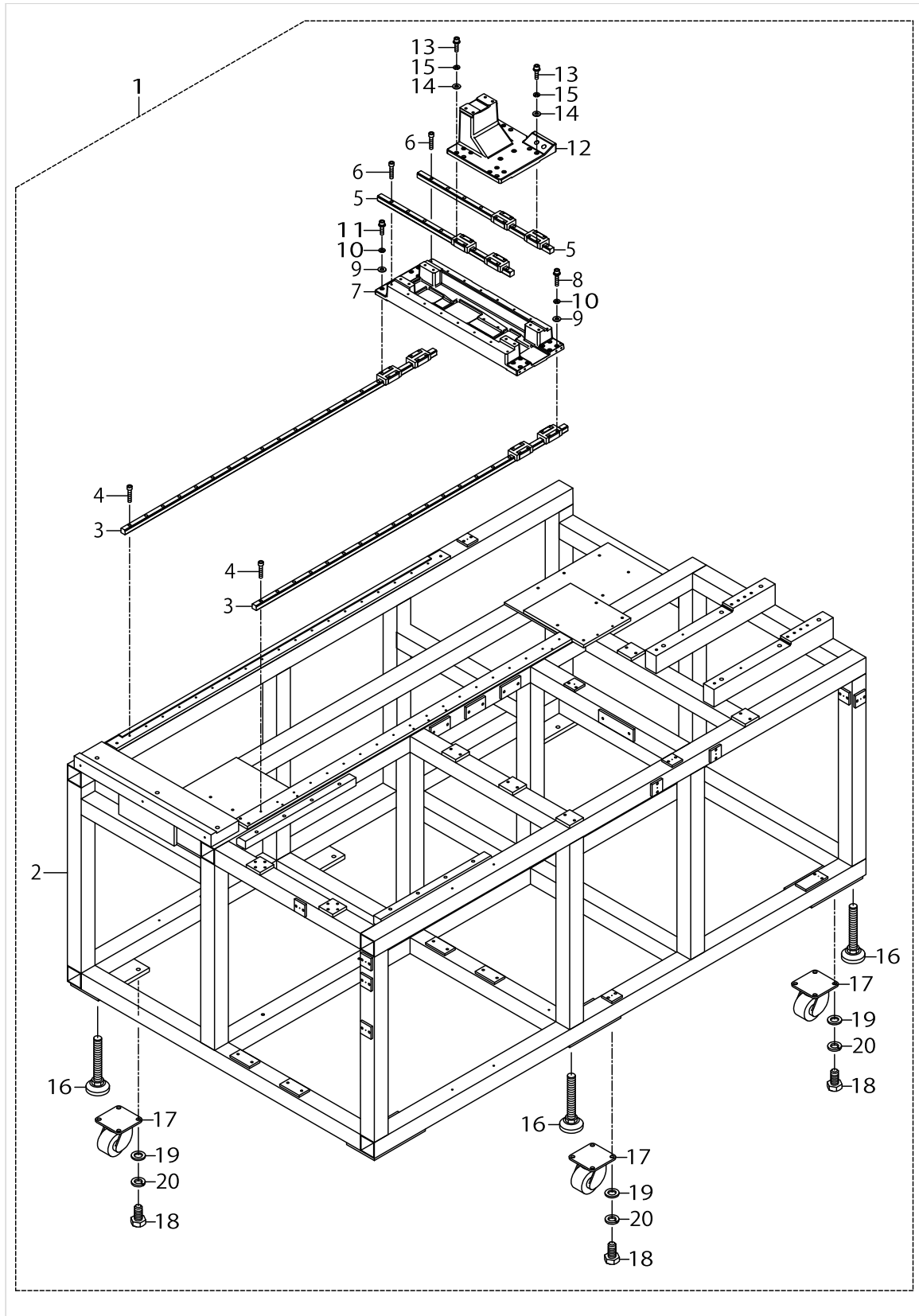
FRAME COVER COMPONENTS



FRAME COVER COMPONENTS

No.	Supply Code	Parts No.	Replacement	Parts name	Remarks	Choice	Step	Level	Cons	Qty	Rep. QTY
47		SL6041492TN		SCREW M4 L=14						4	
48		40116420		COVER STAY G						1	
49		SL6051492TN		SCREW M5 L=14						2	
50		40116421		COVER STAY K						2	
51		SM0041001SC		SCREW M4 L=10						4	
52		40116422		COVER STAY BASE						1	
53		SL6064092TN		SCREW M6 L=40						2	
54		40122535		COVER_STUD						1	
55		WP0611626SP		WASHER 15X6X1.6						1	
56		SL6051492TN		BOLT						1	

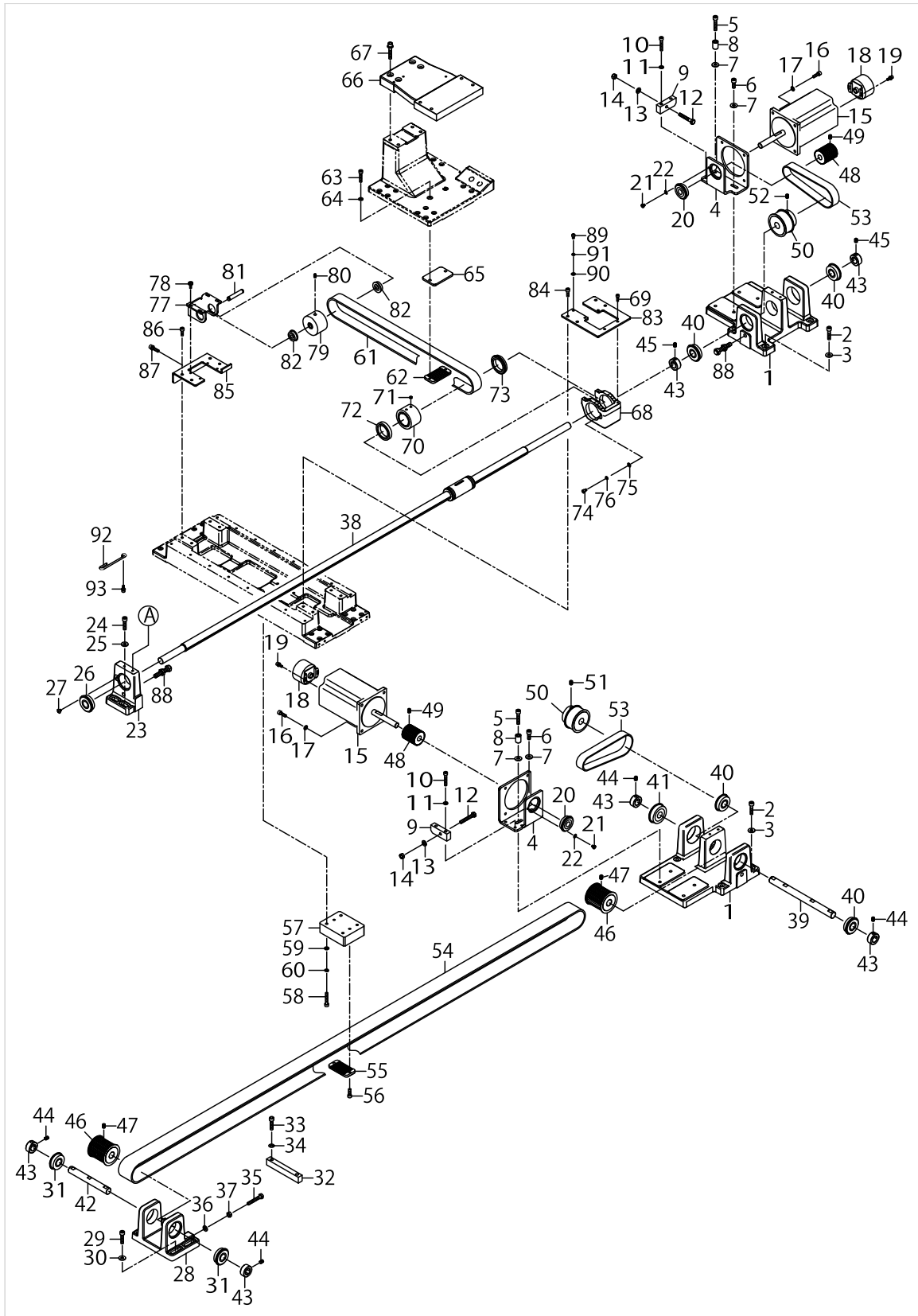
MAIN BODY FRAME COMPONENTS



MAIN BODY FRAME COMPONENTS

No.	Supply Code	Parts No.	Replacement	Parts name	Remarks	Choice	Step	Level	Cons	Qty	Rep. QTY
1		40116044		ASSY FRAME						1	
2		40115899		FRAME				*		1	
3		40116045		X-LM GUIDE				*		2	
4		SM6042002TP		SCREW M4X0.7 L=20				*		38	
5		40116046		Y-LM GUIDE				*		2	
6		SM6042002TP		SCREW M4X0.7 L=20				*		16	
7		40116047		X FEED BASE				*		1	
8		SM6042002TP		SCREW M4X0.7 L=20				*		8	
9		WP0450801SD		WASHER 4.5X10X0.8				*		16	
10		WS0410002KP		SPRING WASHER				*		16	
11		SM6041602TP		SCREW M4X0.7 L=16				*		8	
12		40116048		Y FEED BASE A				*		1	
13		SM6041602TP		SCREW M4X0.7 L=16				*		16	
14		WP0450801SD		WASHER 4.5X10X0.8				*		16	
15		WS0410002KP		SPRING WASHER				*		16	
16		G5030171000		ADJUSTING BOLT				*		6	
17		G5006870000		CASTER				*		6	
18		SM9102003SB		SCREW M10 L=20				*		24	
19		WP1052000SC		WASHER 10.5X18X2				*		24	
20		WS1020002KN		SPRING WASHER M10				*		24	

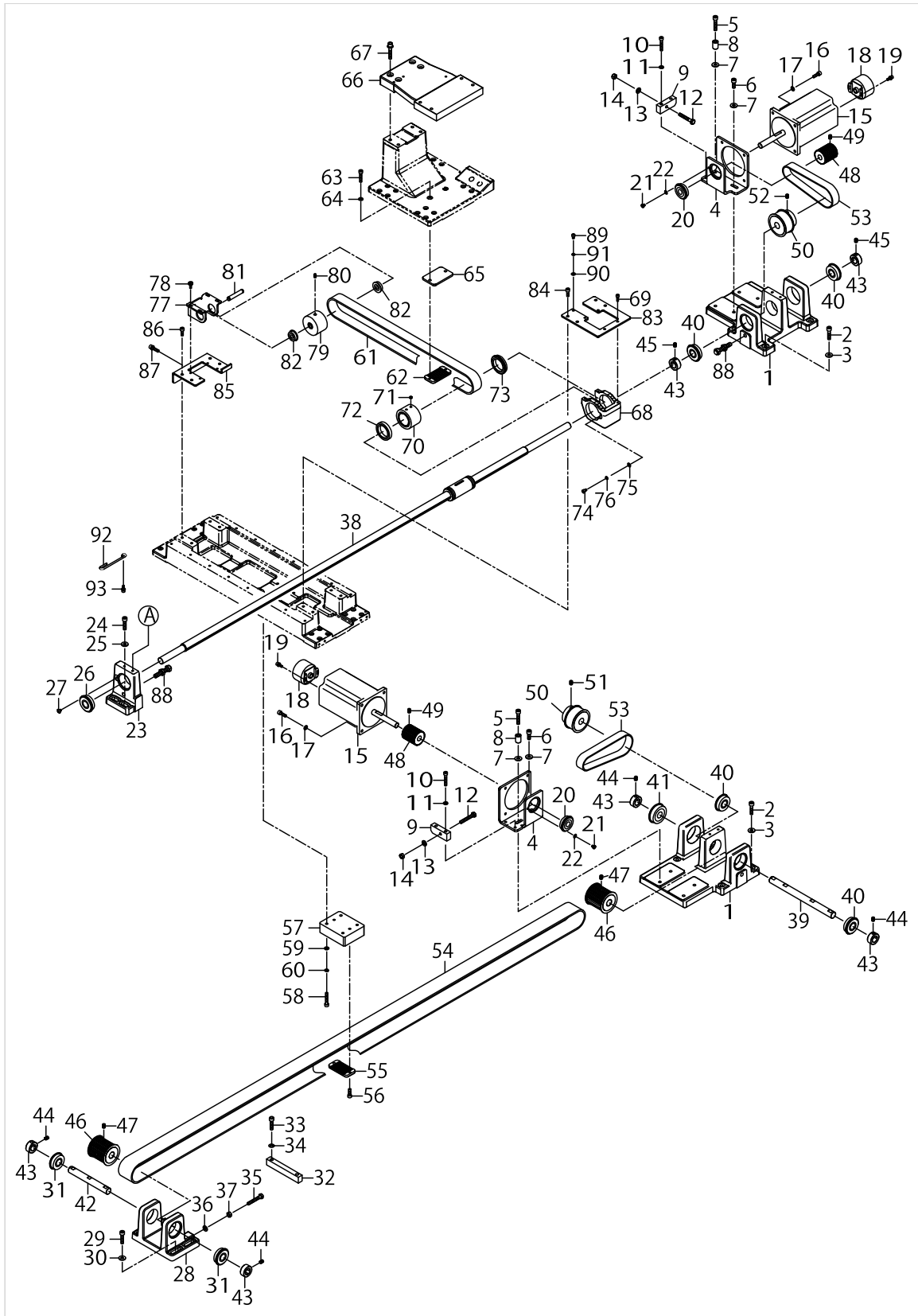
X-Y DRIVER UNIT (1)



X-Y DRIVER UNIT (1)

No.	Supply Code	Parts No.	Replacement	Parts name	Remarks	Choice	Step	Level	Cons	Qty	Rep. QTY
1		40116049		BEARING BASE						2	
2		SM6062502TP		SCREW M6 L=25						8	
3		WP0611626SP		WASHER 15X6X1.6						8	
4		40116050		MOTOR BASE						2	
5		SM6063002TP		SCREW M6 L=30						2	
6		SM6061602TP		SCREW M6 L=16						2	
7		WP0611626SP		WASHER 15X6X1.6						4	
8		GAC01002A00		COLLAR						2	
9		40116051		MOTOR TENSION PLATE						2	
10		SM6053002TP		SCREW M5X0.8 L=30						4	
11		WP0531000SD		WASHER M5						4	
12		SM9064053SE		SCREW						2	
13		WP0641601SC		WASHER M6						2	
14		NM6060001SC		NUT M6X1 TYPE1						2	
15		40105099		STEPPING MOTOR						2	
16		SM6051602TP		SCREW M5X0.8 L=16						8	
17		WP0531001SC		WASHER M5						8	
18		40105098		ENCODER ASSY						2	
19		SL4030891SC		SCREW M3 L=8						4	
20		SB112000100		BEARING						2	
21		SM6040650TP		SCREW						2	
22		WP0430801SC		WASHER M4						2	
23		40116053		SPLINE SHAFT BASE						1	
24		SM6062502TP		SCREW M6 L=25						2	
25		WP0611626SP		WASHER 15X6X1.6						2	
26		B1802180000		BUSHING						1	
27		SM0040801SC		SCREW M4X8						1	
28		40116054		X PULLEY BASE						1	
29		SM6062502TP		SCREW M6 L=25						4	
30		WP0611626SP		WASHER 15X6X1.6						4	
31		B1802180000		BUSHING						2	
32		40116055		STOPPER PLATE						1	
33		SM6062502TP		SCREW M6 L=25						2	
34		WP0641601SC		WASHER M6						2	
35		SM9064053SE		SCREW						2	
36		WP0641601SC		WASHER M6						2	
37		NM6060001SC		NUT M6X1 TYPE1						2	
38		40116056		Y SPLINE SHAFT						1	
39		40116057		X DRIVE SHAFT						1	
40		B1802180000		BUSHING						4	
41		G1216870000		UPPER SHAFT REAR BEARING						1	
42		40116058		X DRIVEN SHAFT						1	
43		CS1501171TP		THRUST COLLAR D=15 W=11						6	
44		SM8060812TP		SCREW M6 L=8						8	
45		SM8060802TP		SCREW M6 L=8						4	
46		40116059		X DRIVE SPROCKET						2	

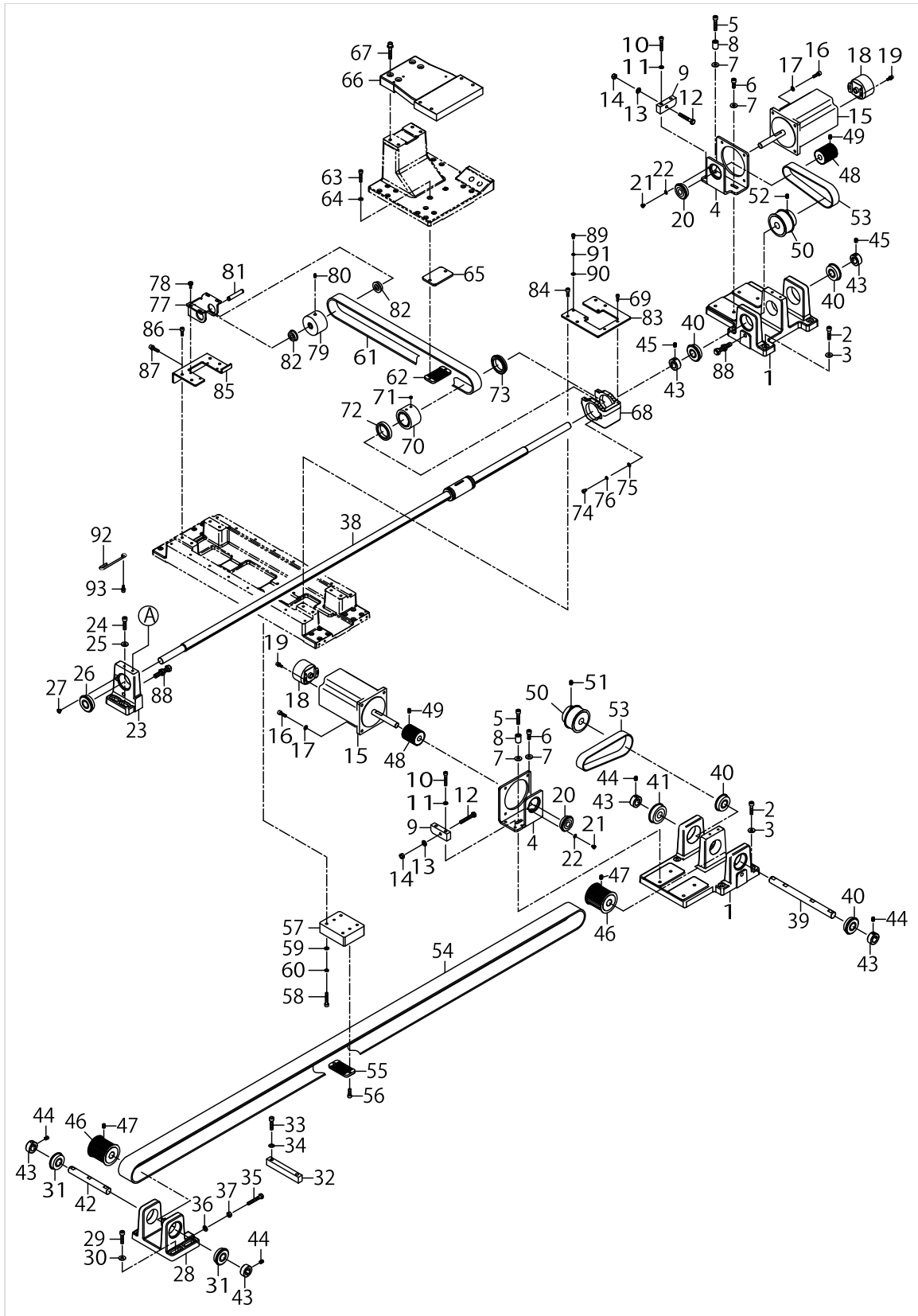
X-Y DRIVER UNIT (1)



X-Y DRIVER UNIT (1)

No.	Supply Code	Parts No.	Replacement	Parts name	Remarks	Choice	Step	Level	Cons	Qty	Rep. QTY
47		SM8060812TP		SCREW M6 L=8						4	
48		40116060		MOTOR PULLEY						2	
49		SM8060802TP		SCREW M6 L=8						4	
50		40116061		DECELERATION PULLEY						2	
51		SM8060812TP		SCREW M6 L=8						2	
52		SM8060802TP		SCREW M6 L=8						2	
53		E2314715000		TIMING BELT YA						2	
54		40116062		X TIMING BELT						1	
55		40116063		BELT RECEIVER						1	
56		SM6051602TP		SCREW M5X0.8 L=16						2	
57		40116064		X BELT PRESSER FIX PLATE						1	
58		SM6053002TP		SCREW M5X0.8 L=30						4	
59		WP0531001SC		WASHER M5						4	
60		WS0510002KN		SPRING WASHER M5						4	
61		40116065		Y TIMING BELT						1	
62		40072166		BELT RECEIVER						1	
63		SM6052502TP		SCREW M5X25						2	
64		WP0531000SD		WASHER M5						2	
65		40116066		Y BELT PRESSER FIX PLATE						1	
66		40116067		Y FEED BASE B						1	
67		SL6063592TN		SCREW M6 L=35						4	
68		B2504221D00		X DRIVE BRACKET						1	
69		SM6041202TP		SCREW M4X0.7 L=12						4	
70		40116068		Y DRIVE SPROCKET						1	
71		SM8050412TP		SCREW M5 L=4						2	
72		SB130000200		BEARING						1	
73		SB130000300		BEARING						1	
74		SM6040602TP		SCREW M4X0.7 L=6						1	
75		WP0430801SC		WASHER M4						1	
76		WS0410002KN		SPRING WASHER M4						1	
77		B2505221D00		DRIVEN BRACKET						1	
78		SM6041150TP		SCREW						4	
79		40116069		Y DRIVEN SPROCKET						1	
80		SM8050812TP		SCREW M5X8						1	
81		22687701		SPRING SHAFT						1	
82		SB108000500		BEARING						2	
83		40116070		Y DRIVE BRACKET BASE						1	
84		SM6051402TP		SCREW M5X0.8 L=14						4	
85		40116071		Y DRIVEN BRACKET BASE						1	
86		SM6051402TP		SCREW M5X0.8 L=14						4	
87		SL6052092TN		SCREW M5 L=20						1	
88		G6206875000		STOPPER BOLT						2	
89		SM6040602TP		SCREW M4X0.7 L=6						1	
90		WP0430801SC		WASHER M4						1	
91		WS0410002KP		SPRING WASHER						1	
92		40105169		XY CORD SUPPORT ROD						1	

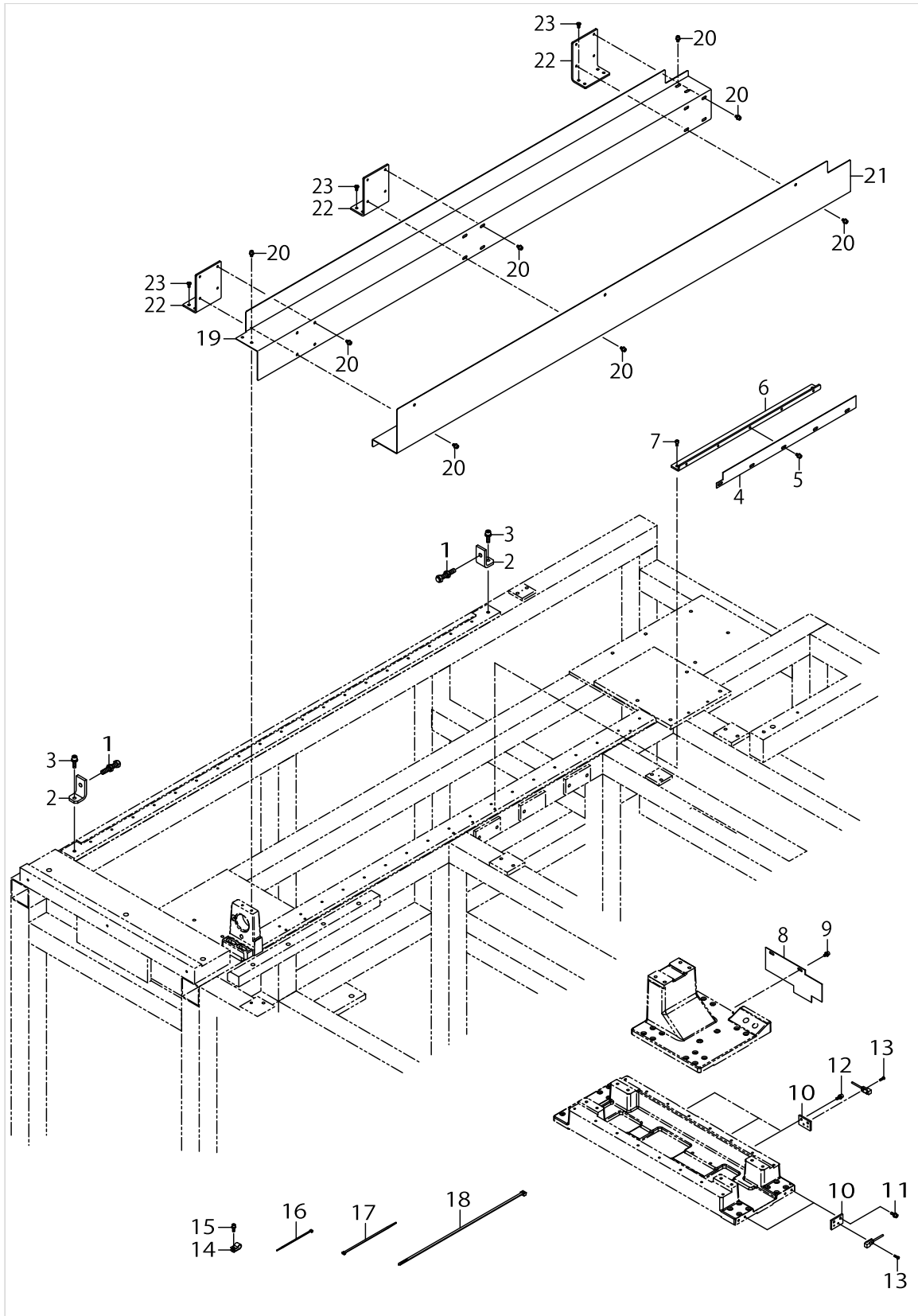
X-Y DRIVER UNIT (1)



X-Y DRIVER UNIT (1)

No.	Supply Code	Parts No.	Replacement	Parts name	Remarks	Choice	Step	Level	Cons	Qty	Rep. QTY
93		SL6041292TN		SCREW M4 L=12						2	

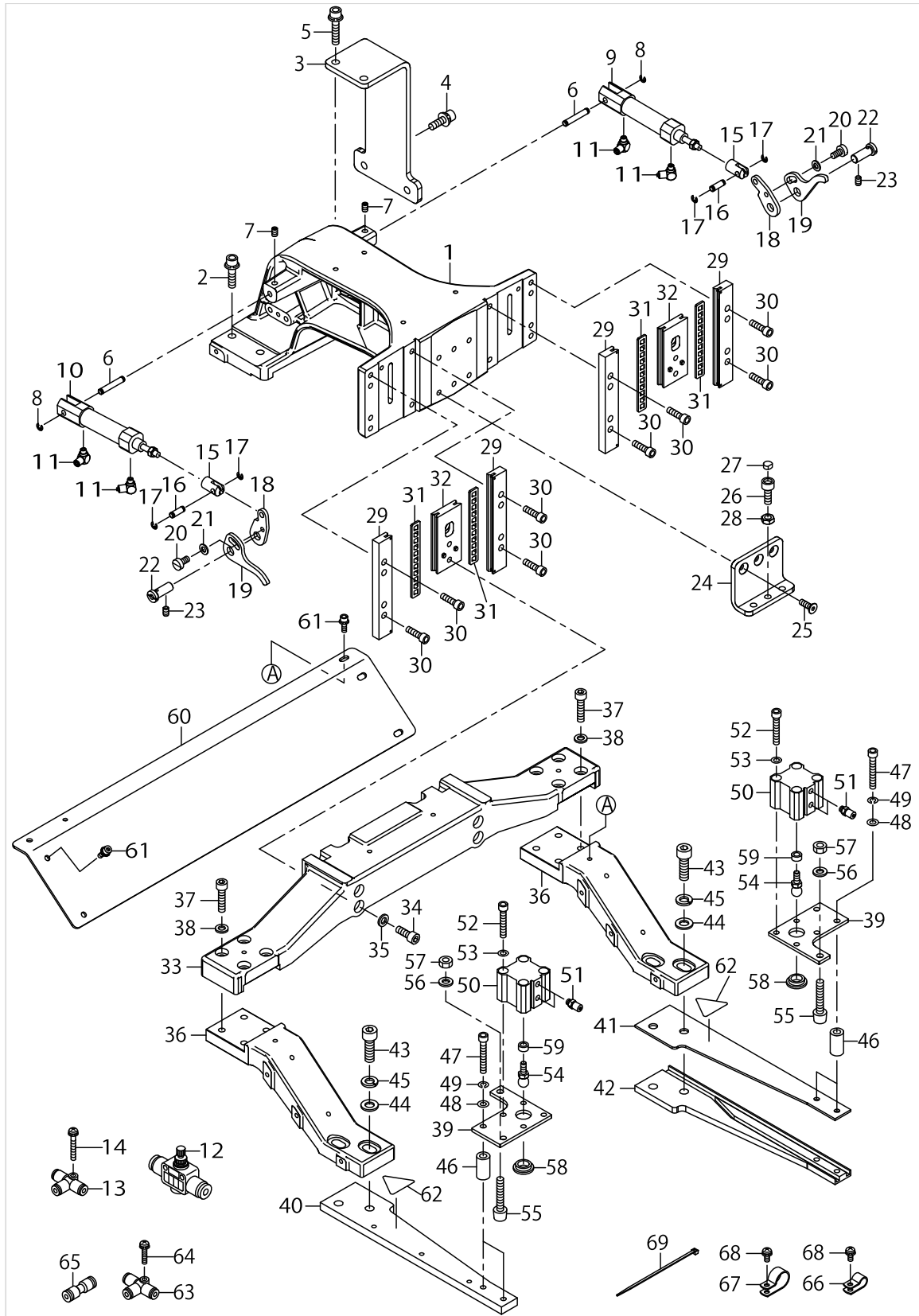
X-Y DRIVER UNIT (2)



X-Y DRIVER UNIT (2)

No.	Supply Code	Parts No.	Replacement	Parts name	Remarks	Choice	Step	Level	Cons	Qty	Rep. QTY
1		G6206875000		STOPPER BOLT						2	
2		40116072		STOPPER FITTING PLATE						2	
3		SL6062092TN		SCREW M6 L=20						2	
4		40116073		X SENSOR SLIT						1	
5		SL6040892TN		SCREW M4 L=8						5	
6		40116074		XSLITFITTINGPLATE						1	
7		SM6040860TP		SCREW M4 L=8						2	
8		40116075		Y SENSOR SLIT						1	
9		SL6040892TN		SCREW M4 L=8						2	
10		40116076		SENSOR FITTING PLATE						5	
11		SL6041292TN		SCREW M4 L=12						4	
12		SL6041292TN		SCREW M4 L=12						6	
13		SM4031001SC		SCREW M3X0.5 L=10						5	
14		HX00150000C		CABLE CLAMP						6	
15		SL6041292TN		SCREW M4 L=12						6	
16		EA9500B0100		CABLE BAND						100	
17		EA9500B0200		CABLE BAND						100	
18		G5453161000		CABLE BAND						10	
19		40116077		SPLINE SHAFT COVER A						1	
20		SL6040892TN		SCREW M4 L=8						16	
21		40116078		SPLINE SHAFT COVER B						1	
22		40116079		SPLINE SHAFT COVER FITTING PLATE						3	
23		SM6040860TP		SCREW M4 L=8						6	

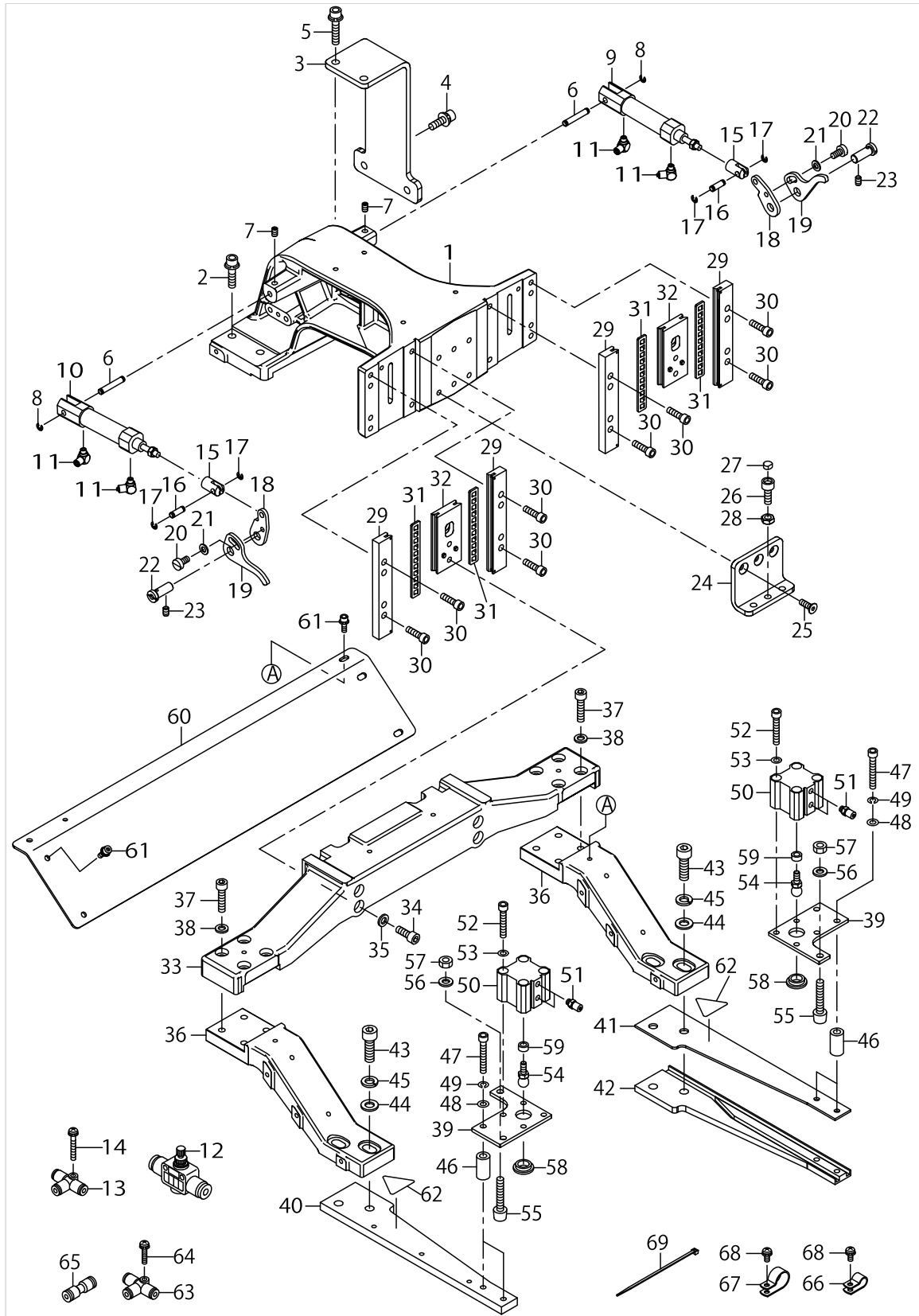
CLOTH PRESSER COMPONENTS



CLOTH PRESSER COMPONENTS

No.	Supply Code	Parts No.	Replacement	Parts name	Remarks	Choice	Step	Level	Cons	Qty	Rep. QTY
1		40116080		CLOTH FEED BASE						1	
2		SL6062592TN		SCREW M6 L=25						2	
3		40116081		GUARD PLATE						1	
4		SL6062092TN		SCREW M6 L=20						2	
5		SL6063092TN		SCREW M6 L=30						2	
6		B1504210000		CONNECTING SHAFT						2	
7		SM8050812TP		SCREW M5X8						2	
8		RE0320000K0		E-RING 3.2						2	
9		40105072		UPPER BIG CLAMP CYLINDER ASSY						1	
10		40105073		LOWER BIG CLAMP CYLINDER ASSY						1	
11		PJ304040504		UNION						4	
12		PC012401000		SPEED CONTROLLER						2	
13		PJ305040001		T						2	
14		SL4043091SC		SCREW M4 L=30						1	
15		40023644		CYLINDER KNUCKLE						2	
16		40023635		CYLINDER PIN						2	
17		RE0300000K0		E-RING 3						4	
18		40032229		LIFTING LEVER A						2	
19		40085820		LIFTING LEVER B						2	
20		SM6051000SP		SCREW						2	
21		WP0531000SD		WASHER M5						2	
22		26023408		FEED STUD						2	
23		SM8050812TP		SCREW M5X8						2	
24		40116082		STOPPER MOUNTING PLATE						1	
25		SM1051452TN		PLATE SCREW						3	
26		40009236		STOP SCREW						2	
27		B1432761000		SWING ARM STOPPER RUBBER						2	
28		NS6150430SP		HEXAGONAL NUT 15/64-28						2	
29		40116083		WORK CLAMP FOOT PLATE B ASM.						4	
30		SM6051802TP		SCREW M5 L=18						12	
31		40116085		BEARING						4	
32		40085830		SLIDE PLATE ASM.						2	
33		40116086		FEEDING FRAME ARM A						1	
34		SM6061602TN		SCREW M6 L=16						4	
35		WP0641600SC		WASHEW6.4X12.5X1.6						4	
36		40116087		FEEDING FRAME ARM B						2	
37		SM6062502TN		SCREW						8	
38		WP0641600SC		WASHEW6.4X12.5X1.6						8	
39		G5501875000		FITTING PLATE						2	
40		G5502875000		CLOTH PRESSER ARM LEFT						1	
41		G5503875000		CLOTH PRESSER A- RM RIGHT UPPER						1	
42		G5504875000		CLOTH PRESSER A- RM RIGHT LOWER						1	
43		SM6082502TN		SCREW						4	
44		WP0841600SC		WASHER						4	

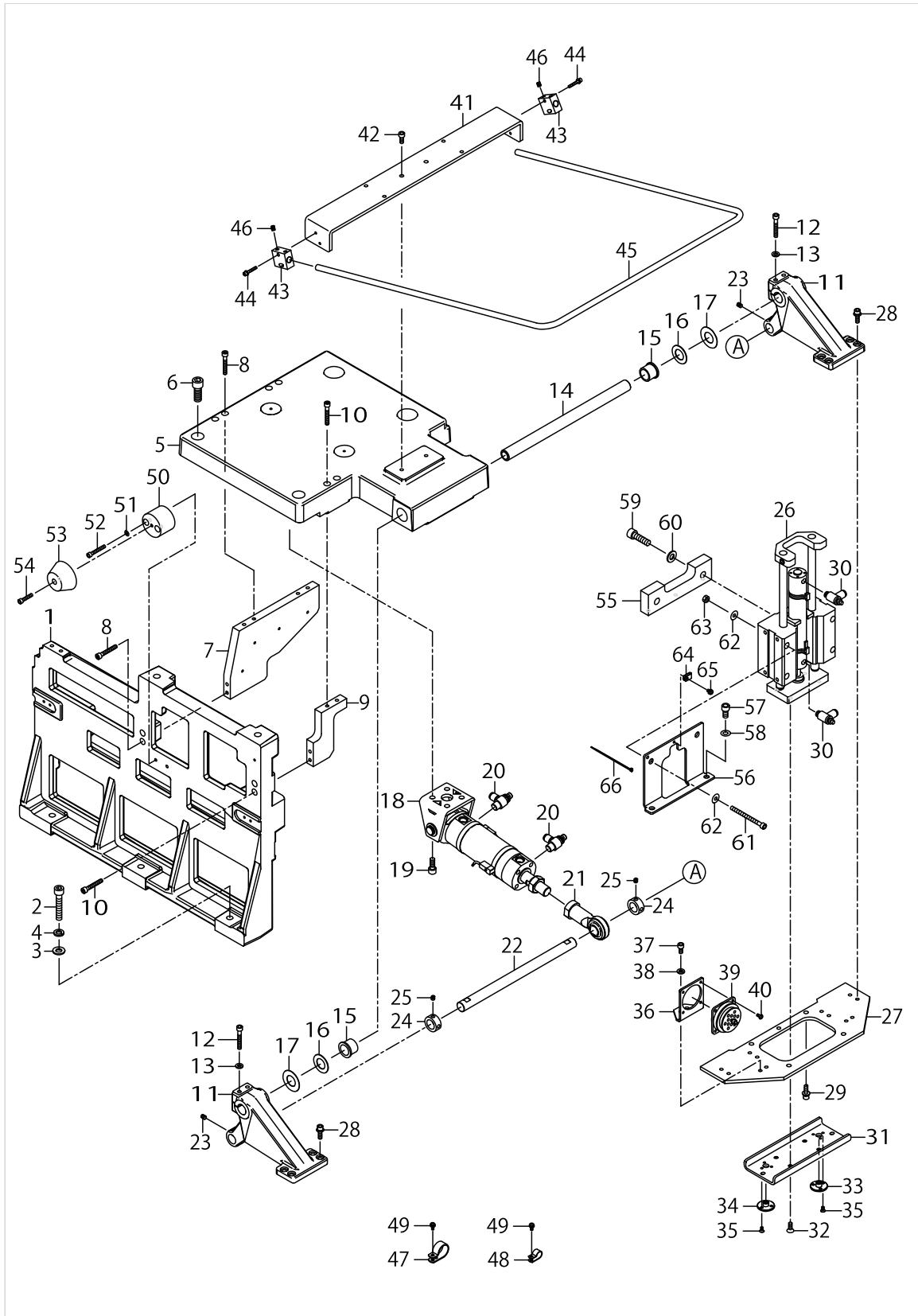
CLOTH PRESSER COMPONENTS



CLOTH PRESSER COMPONENTS

No.	Supply Code	Parts No.	Replacement	Parts name	Remarks	Choice	Step	Level	Cons	Qty	Rep. QTY
45		WS0820002KN		SPRING WASHER M8						4	
46	D	D2419530D00		MAGNET ARM BUSHING						4	
47		SM6053502TN		SCREW M5 L=35						4	
48		WP0531001SC		WASHER M5						4	
49		WS0510002KN		SPRING WASHER M5						4	
50		PA2001004A0		AIR CYLINDER						2	
51		PJ032052503		HOSE NIPPLE						4	
52		SM6053002TN		SCREW M5X0.8 L=30						8	
53		WS0510002KN		SPRING WASHER M5						8	
54		G5511875000		BALL						2	
55		GAK01003B00		PRESSER LIFTER STOPPER B						2	
56		WP0641601SC		WASHER M6						2	
57		NM6060001SC		NUT M6X1 TYPE1						2	
58		GLA02302000		FULCRUM BUSHING						2	
59		11528809		WASHER						2	
60		40116088		STIFFENING PLATE						1	
61		SL6041292TN		SCREW M4 L=12						6	
62		CM300200003		FINGER INJURY CAUTION LABEL (31.5)						2	
63		PJ305040001		T						2	
64		SL4042091SC		SCREW M4 L=20						2	
65		PJ303040002		STRAIGHT UNION 4						2	
66		HX00150000C		CABLE CLAMP						12	
67		HX00150000G		CABLE CLAMP						13	
68		SL4041091SC		SCREW M4 L=10						25	
69		EA9500B0100		CABLE BAND						6	

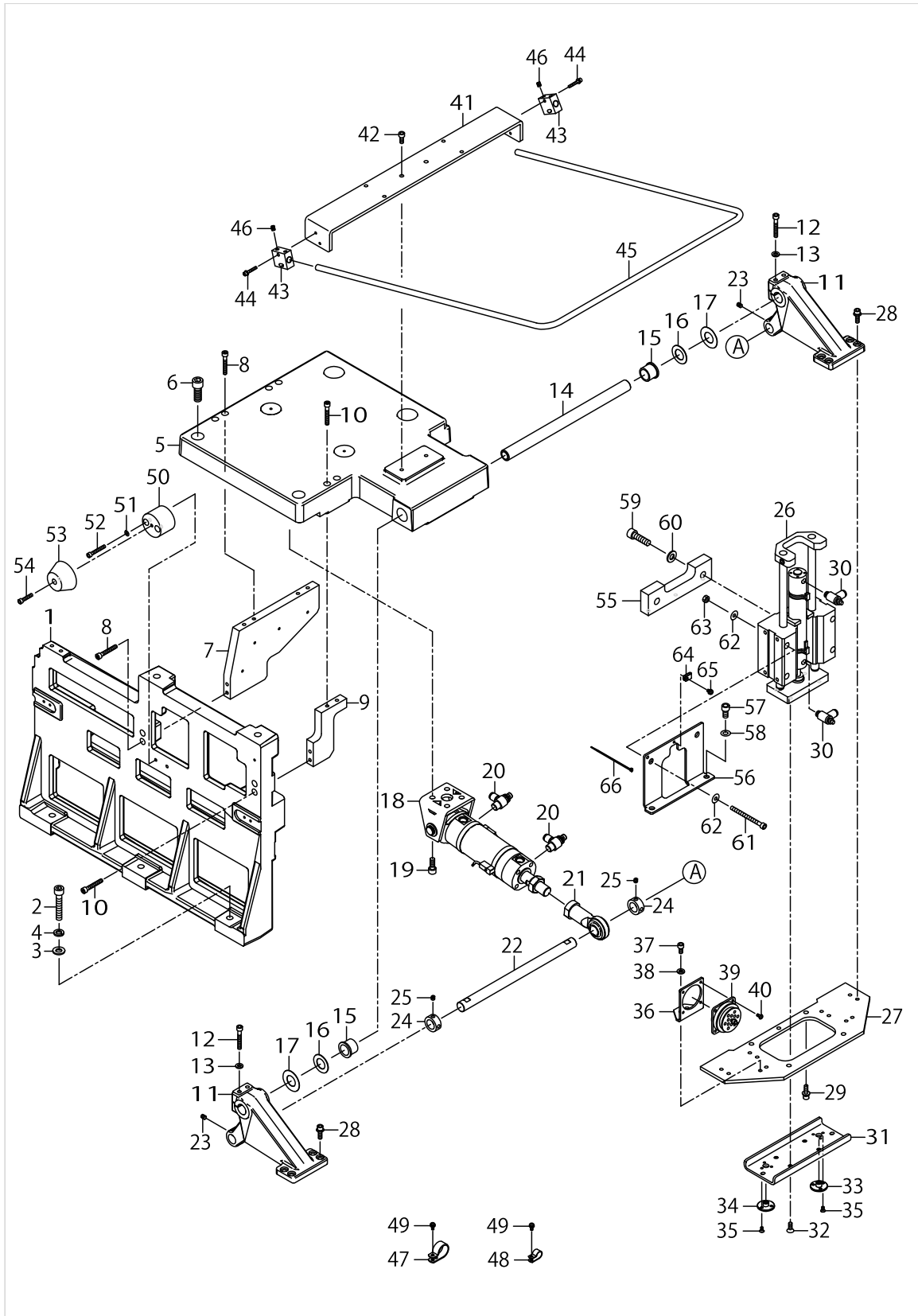
FITTING PLATE COMPONENTS



FITTING PLATE COMPONENTS

No.	Supply Code	Parts No.	Replacement	Parts name	Remarks	Choice	Step	Level	Cons	Qty	Rep. QTY
1		40116090		MAIN BASE A						1	
2		SM6105502TN		SCREW M10 L=55						3	
3		WP1052001SC		WASHER 10						3	
4		WS1020002KN		SPRING WASHER M10						3	
5		40116091		MAIN BASE B						1	
6		SM6123002TN		SCREW M12 L=30						2	
7		40116092		BEAM A						1	
8		SM6064002TP		SCREW M6 L=40						6	
9		40116093		BEAM B						1	
10		SM6064002TP		SCREW M6 L=40						4	
11		40116094		ARM						2	
12		SM6064002TN		SCREW						4	
13		WP0641601SC		WASHER M6						4	
14		40116095		FOLDING BASE SHAFT						1	
15		G6023870000		SUPPORT BASE SHAFT METAL						2	
16		G6028870000		FOLDING BASE SH- AFT STARTING CIRCLE						2	
17		G6040870000		SHIM						2	
18		40105070		ORUD CYLINDER ASSY						1	
19		SM6082002TP		SCREW M8 L=20						4	
20	D	PC015203000		SPEED CONTROLLER						2	
21		40116096		ROD END						1	
22		40116097		FOLDING ARM SHAFT						1	
23		SM8060812TP		SCREW M6 L=8						4	
24		CS1801211SH		THRUST COLLAR D=18 W=12						2	
25		SS8660612TP		SCREW 1/4-40 L=6						4	
26		40105071		ORKICYLINDERASSY						1	
27		40116098		CYLINDER FITTING PLATE						1	
28		SL6062092TN		SCREW M6 L=20						8	
29		SL6062092TN		SCREW M6 L=20						3	
30		PC015106000		SPEED CONTROLLER						2	
31		40116099		CREASE GAGE COM. INSTALLING PLATE						1	
32		SM1061652TP		SCREW M6 L=16						4	
33		G6028875000		GAUGE PIN HOLDER						1	
34		G6029875000		GAUGE PINHOLDERB						1	
35		SM1040801SC		SCREW M4X0.7 L=8						6	
36		G6010870000		CONNECTOR FITTING PLATE						1	
37		SM6061202TN		SCREW						2	
38		WP0641601SC		WASHER M6						2	
39		PJ401000300		MULTI CONNECTOR (SOCKET SIDE)						1	
40		SM4040801SN		SCREW M4 L=8						4	
41		G6008875000		FITTING PLATE						1	
42		SM6061402TN		SCREW						2	
43		40116261		GUARD PIPE HOLDER						2	
44		SL6042592TN		SCREW M4 L=25						4	
45		40116100		FOLDING UNIT GUARD PIPE						1	

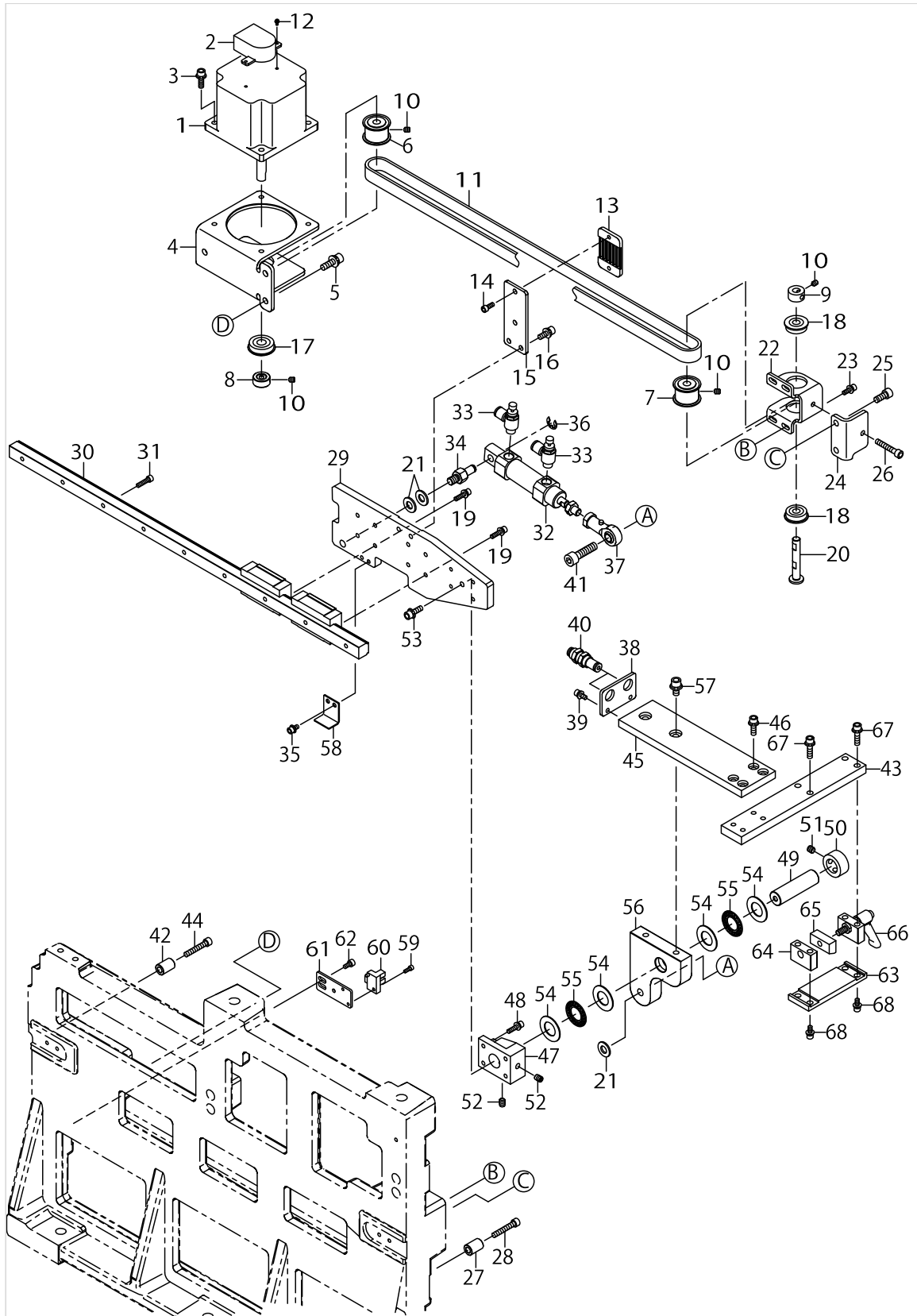
FITTING PLATE COMPONENTS



FITTING PLATE COMPONENTS

No.	Supply Code	Parts No.	Replacement	Parts name	Remarks	Choice	Step	Level	Cons	Qty	Rep. QTY
46		SM8060812TP		SCREW M6 L=8						4	
47		HX00150000M		CABLE CLAMP						1	
48		HX00150000E		CABLE CLAMP						2	
49		SL4041091SC		SCREW M4 L=10						3	
50		40122534		RUBBER_BASE						1	
51		WP0531001SC		WASHER M5						2	
52		SM6053502TN		HEXAGONAL-HOLE BOLT M5 L=35						2	
53		40040252		STOPPER_RUBBER						1	
54		SM6052502TN		SCREW						1	
55		40116760		CYLINDER_FITTING_BASE_A						1	
56		40121920		CYLINDER_FITTING_BASE_B						1	
57		SM6081602TN		BOLT M8 L=16						2	
58		WP0841601SC		WASHER 8.4X17.4X1.6						2	
59		SM6103502TP		SCREW M10 L=35						2	
60		WP1052001SC		WASHER 10,5X21X2						2	
61		SM6067552TP		HEXAGONAL-HOLE BOLT M6 L=75						2	
62		WP0621036SP		WASHER						4	
63		NM6060001SC		NUT M6						2	
64		HX001500000		CLIP						1	
65		SL4040891SC		SCREW M4 L=8						1	
66		EA9500B0100		CABLE BAND						1	

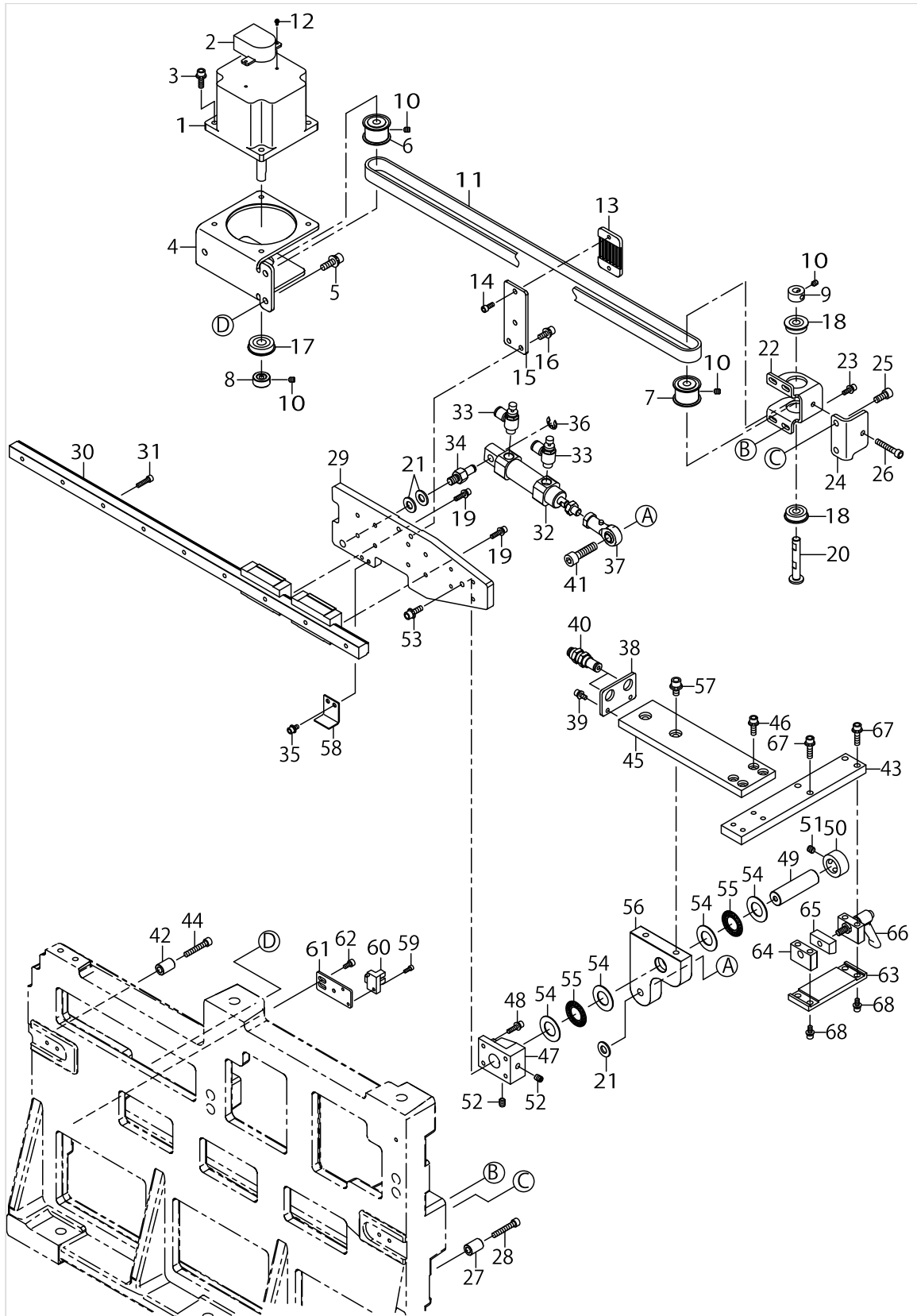
FORM PLATE MECHANISM COMPONENTS



FORM PLATE MECHANISM COMPONENTS

No.	Supply Code	Parts No.	Replacement	Parts name	Remarks	Choice	Step	Level	Cons	Qty	Rep. QTY
1		40071944		STEPPING MOTOR						1	
2		HD002780000		SENSOR						1	
3		SL6051692TN		SCREW M5 L=16						4	
4		40116429		MOTOR FITTING PLATE						1	
5		SL6062092TN		SCREW M6 L=20						3	
6		40116430		DRIVE SPROCKET						1	
7		40116431		DRIVEN SPROCKET						1	
8		CS1000881TP		THRUST COLLAR D=10 W=8						1	
9		CS0800971TP		THRUST COLLAR D=8 W=9						1	
10		SM8050602TP		SCREW M5 L=6						8	
11		40116432		PATERN BOAD TIMING BELT						1	
12		SL4020591SC		SCREW M2 L=5						2	
13		40032219		BELT RECEIVER						1	
14		SL6051492TN		SCREW M5 L=14						2	
15		40116433		BELT RECEIVER FITTING PLATE						1	
16		SL6051492TN		SCREW M5 L=14						2	
17		SB110001300		BEARING						1	
18		SB108000500		BEARING						2	
19		SL6041692TN		SCREW M4 L=16						8	
20		40116435		DRIVEN SPROCKET SHAFT						1	
21		WP0841601SC		WASHER M8						3	
22		40077991		X DRIVEN BRACKET						1	
23		SL6041292TN		SCREW M4 L=12						4	
24		40116436		PRESSER BASE PLATE						1	
25		SM6061402TN		SCREW						2	
26		SM6053002TN		SCREW M5X0.8 L=30						1	
27		GAC01002A00		COLLAR						1	
28		SM6053002TN		SCREW M5X0.8 L=30						1	
29		40116437		FORM PLATE SLIDER PLATE						1	
30		40116438		CARRIER SLIDE GUIDE						1	
31		SM6041602TP		SCREW M4X0.7 L=16						9	
32		PA200051100		AIR CYLINDER						1	
33		PC015108000		SPEED CONTROLLER						2	
34		40035137		CYLINDER SHAFT B						1	
35		SL6040892TN		SCREW M4 L=8						2	
36		RE0700000K0		E-RING 7						1	
37		40035314		ROD END						1	
38		40116439		UNION BRACKET						1	
39		SL6041092TN		SCREW M4 L=10						2	
40		PJ230004300		PARTITION UNION 4						2	
41		SM6083002TP		SCREW M8 L=30						1	
42		40011758		SYNCHRONIZER BASE COLLAR						1	
43		40116440		CARRIER SRIDE ARM A						1	
44		SM6064002TP		SCREW M6 L=40						1	
45		40116441		CARRIER SRIDE ARM B						1	
46		SL6051692TN		SCREW M5 L=16						4	

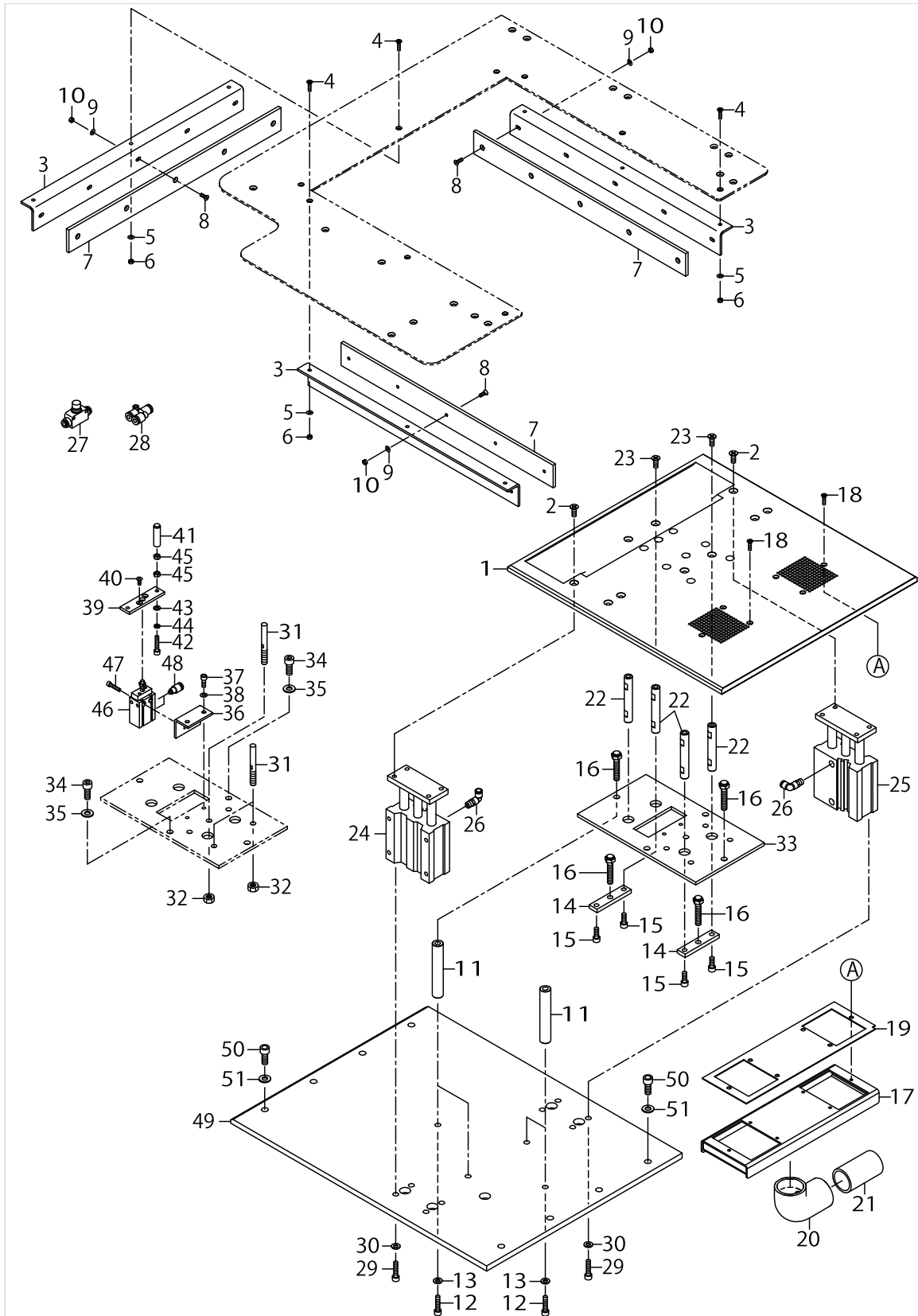
FORM PLATE MECHANISM COMPONENTS



FORM PLATE MECHANISM COMPONENTS

No.	Supply Code	Parts No.	Replacement	Parts name	Remarks	Choice	Step	Level	Cons	Qty	Rep. QTY
47		40116442		CARRIER BOSS BLOCK						1	
48		SL6041692TN		SCREW M4 L=16						4	
49		40116443		CARRIER SHAFT						1	
50		CS1601211TH		THRUST COLLAR D=16 W=12						1	
51		SS8660612TP		SCREW 1/4-40 L=6						2	
52		SM8060812TP		SCREW M6 L=8						2	
53		SL6051692TN		SCREW M5 L=16						1	
54		G5523880000		THRUST WASHER B						4	
55		SB616000100		BEARING						2	
56		40116444		CARRIER SRIDE ARM C						1	
57		SL6061292TN		SCREW M6 L=12						2	
58		40116445		SENSOR PLATE						1	
59		SM6030802TN		SCREW						1	
60		HD00057000A		SENSOR						1	
61		B4004210D00		X SENSOR INSTALLING PLATE						1	
62		SM6040802TN		SCREW M4X0.7 L=8						2	
63		G6108870000		ONE-TOUCH BASE PLATE B						1	
64		G6012870000		ONE TOUCH BASE CONNECTING PLATE						1	
65		G6014870000		ONE TOUCH LOCK METAL B						1	
66		G60168700A0		LOOK LEVER SHAFT B ASM.						1	
67		SL6062092TN		SCREW M6 L=20						4	
68		SM6061202TN		SCREW						4	

VERTICAL TABLE COMPONENTS



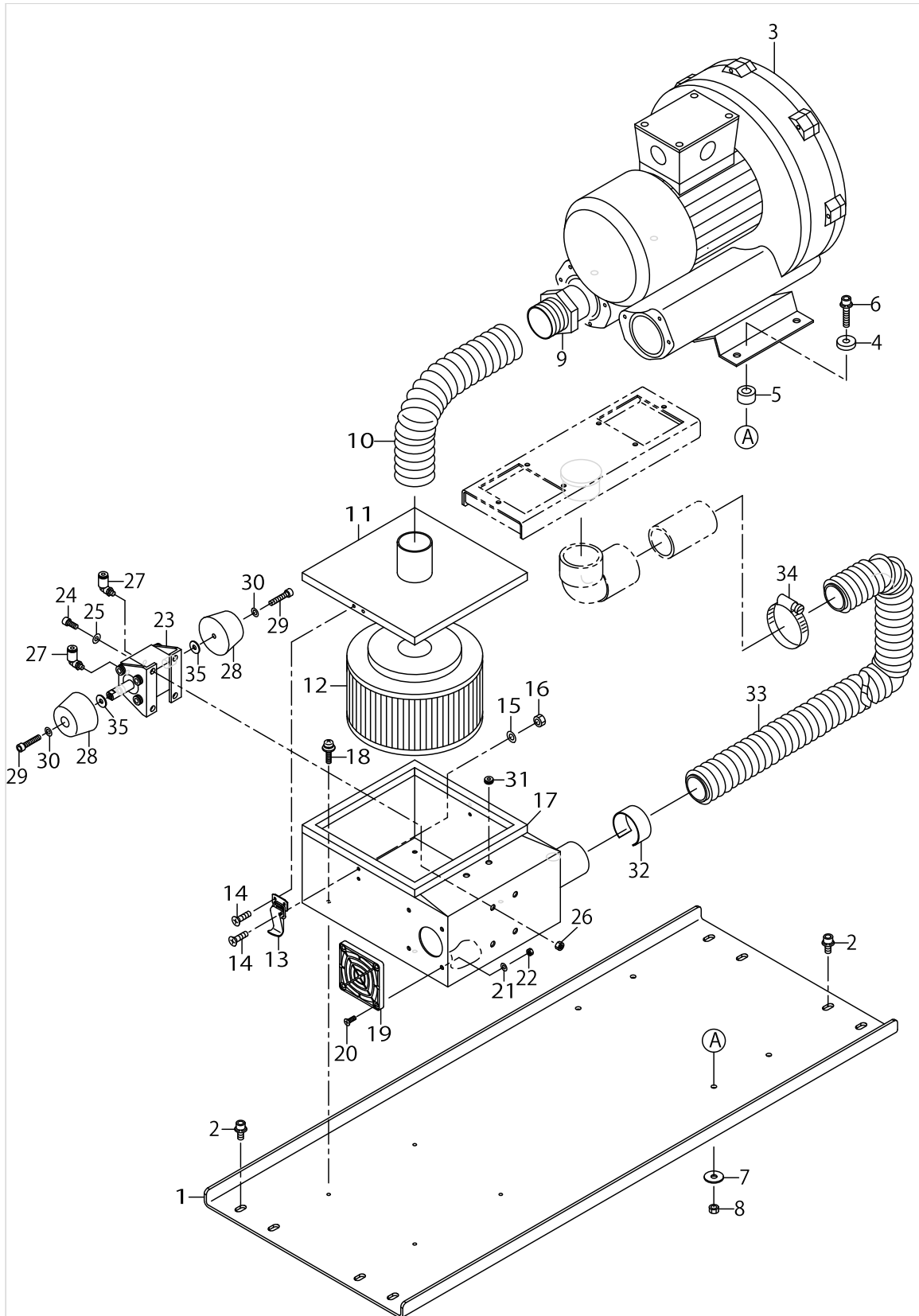
VERTICAL TABLE COMPONENTS

No.	Supply Code	Parts No.	Replacement	Parts name	Remarks	Choice	Step	Level	Cons	Qty	Rep. QTY
1		40116101		LIFTING TABLE						1	
2		SM1061601SC		SCREW M6 L=16						6	
3		G6202875000		TABLE GUIDE FITTING PLATE						3	
4		SM1041601SC		SCREW M4X0.7 L=16						9	
5		WP0430801SC		WASHER M4						9	
6		NM6040001SC		NUT M4X0.7 TYPE1						9	
7		G6203875000		TABLE GUIDE PLATE						3	
8		SM1041201SC		SCREW M4 L=12						15	
9		WP0430801SC		WASHER M4						15	
10		NM6040001SC		NUT M4X0.7 TYPE1						15	
11		G6204875000		TABLE STOPPER FITTING SHAFT						4	
12		SM6062502TN		SCREW						4	
13		WP0611626SP		WASHER 15X6X1.6						4	
14		G6205875000		TABLE STOPPER FITTING PLATE						2	
15		SM6061602TN		SCREW M6 L=16						4	
16		G6206875000		STOPPER BOLT						4	
17		G6207875000A		VACUUM BOX						1	
18		SM1041601SC		SCREW M4X0.7 L=16						6	
19	D	G6208875000A		PACKING						1	
20		G6211875000		VACUUM BOX ELBOW						1	
21		25023300		PIPE						1	
22		40116102		STOPPER SHAFT						4	
23		SM1061601SC		SCREW M6 L=16						4	
24		40105069		TABLE CYLINDER ASSY						1	
25		PA250500300		AIR CYLINDER						1	
26		PJ304065101		ELBOW UNION 6XPT1/8						4	
27		PC012601000		SPEED CONTROLLER						2	
28		PJ308060003		UNION Y						2	
29		SM6062502TN		SCREW						8	
30		WP0641601SC		WASHER M6						8	
31		G6210875000		TENPLATE GAUGE PIN						3	
32		NM6080001SC		NUT M8X1.25 TYPE1						3	
33		40116103		BASE PLATE						1	
34		SM6082002TN		SCREW M8 L=20						2	
35		WP0841601SC		WASHER M8						2	
36	D	G6213875000		CYLINDER FITTING PLATE						1	
37		SM6051402TN		SCREW M5 L=14						2	
38		WP0531001SC		WASHER M5						2	
39		G6214875000		GARMENT PRESSER FITTING PLATE						1	
40		SM1041001SC		SCREW M4X0.7 L=10						2	
41		G62158750A0		GARMENT PRESSER PIN ASM.						2	
42		SM6052502TN		SCREW						2	
43		WP0531001SC		WASHER M5						2	
44		WS0510002KN		SPRING WASHER M5						2	
45		NM6050001SC		NUT M5X0.8 TYPE1						4	
46		PA1601515A0		AIR CYLINDER						1	

VERTICAL TABLE COMPONENTS

No.	Supply Code	Parts No.	Replacement	Parts name	Remarks	Choice	Step	Level	Cons	Qty	Rep. QTY
47		SM6042002TN		SCREW						2	
48		PJ301040502		HALF UNION 4XM5						2	
49		40116104		TABLE BASE PLATE						1	
50		SM6082002TN		SCREW M8 L=20						8	
51		WP0841601SC		WASHER M8						8	

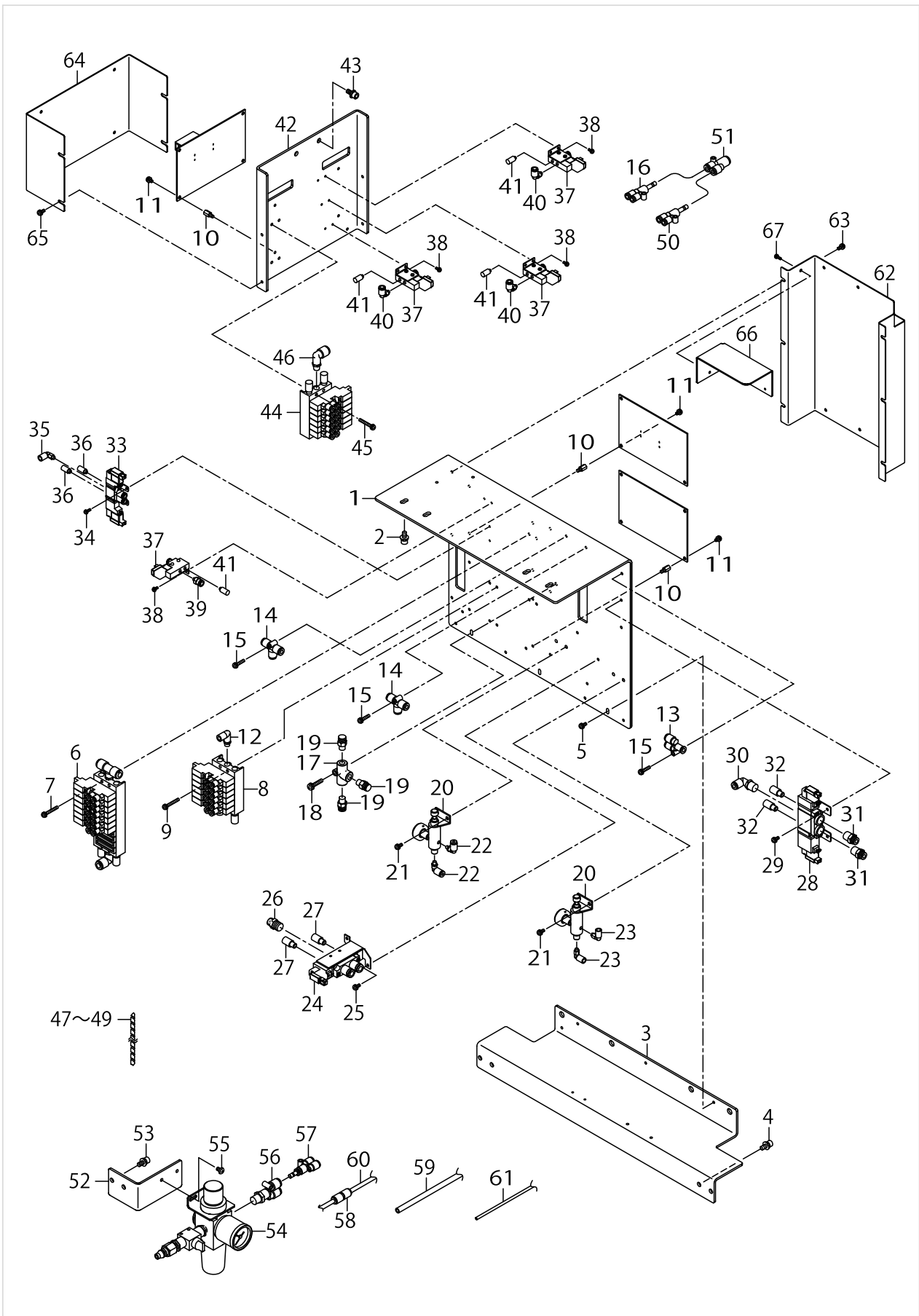
SUCTION DEVICE COMPONENTS



SUCTION DEVICE COMPONENTS

No.	Supply Code	Parts No.	Replacement	Parts name	Remarks	Choice	Step	Level	Cons	Qty	Rep. QTY
1		40116165		CLOTH SUCTION BASE PLATE						1	
2		SL6061492TN		SCREW M6 L=14						8	
3		KM000000510		BLOWER MOTOR						1	
4		B4420373000		CUSHION						4	
5		B1123205000		RUBBER PAD						4	
6		SL6063042TN		SCREW M6 L=30						4	
7		WP0651646SC		WASHER						4	
8		NM6060001SC		NUT M6X1 TYPE1						4	
9		G5345172000		BLOWER JOINT						1	
10		G5344172000		VACUUM HOSE						1	
11		GMC100050A0		TOP COVER ASM.						1	
12		GMC10004000		FILTER ELEMENT						1	
13		GMC10007000		METAL FITTINGS						2	
14		SM1030801SC		SCREW M3 L=8						8	
15		WP0320501SC		WASHER M3						4	
16		NM6030001SC		NUT M3X0.5 TYPE1						4	
17		G62528750A0		FILTER BOX ASM.						1	
18		SL4040891SC		SCREW M4X8						4	
19		HM000550010		FAN MOTOR						1	
20		SM1041201SC		SCREW M4 L=12						4	
21		WP0430801SC		WASHER M4						4	
22		NM6040001SC		NUT M4X0.7 TYPE1						4	
23		PA200201100		CYLINDER						1	
24		SM6051202TN		SCREW M5X0.8 L=12						4	
25		WP0531001SC		WASHER M5						4	
26		NM6050001SC		NUT M5X0.8 TYPE1						4	
27		PJ304040504		UNION						2	
28		G6253875000		VACUUM CHANGE RUBBER						2	
29		SM6052502TN		SCREW						2	
30		WP0531001SC		WASHER M5						2	
31		HX000550000		GROMMET						2	
32		G5171136000		VACUUM CONTROL PLATE						1	
33		GMC16005000		HOSE (L)						1	
34		G5176136000		HOSE BAND						4	
35		WP0501046SC		WASHER 5X14X1						2	

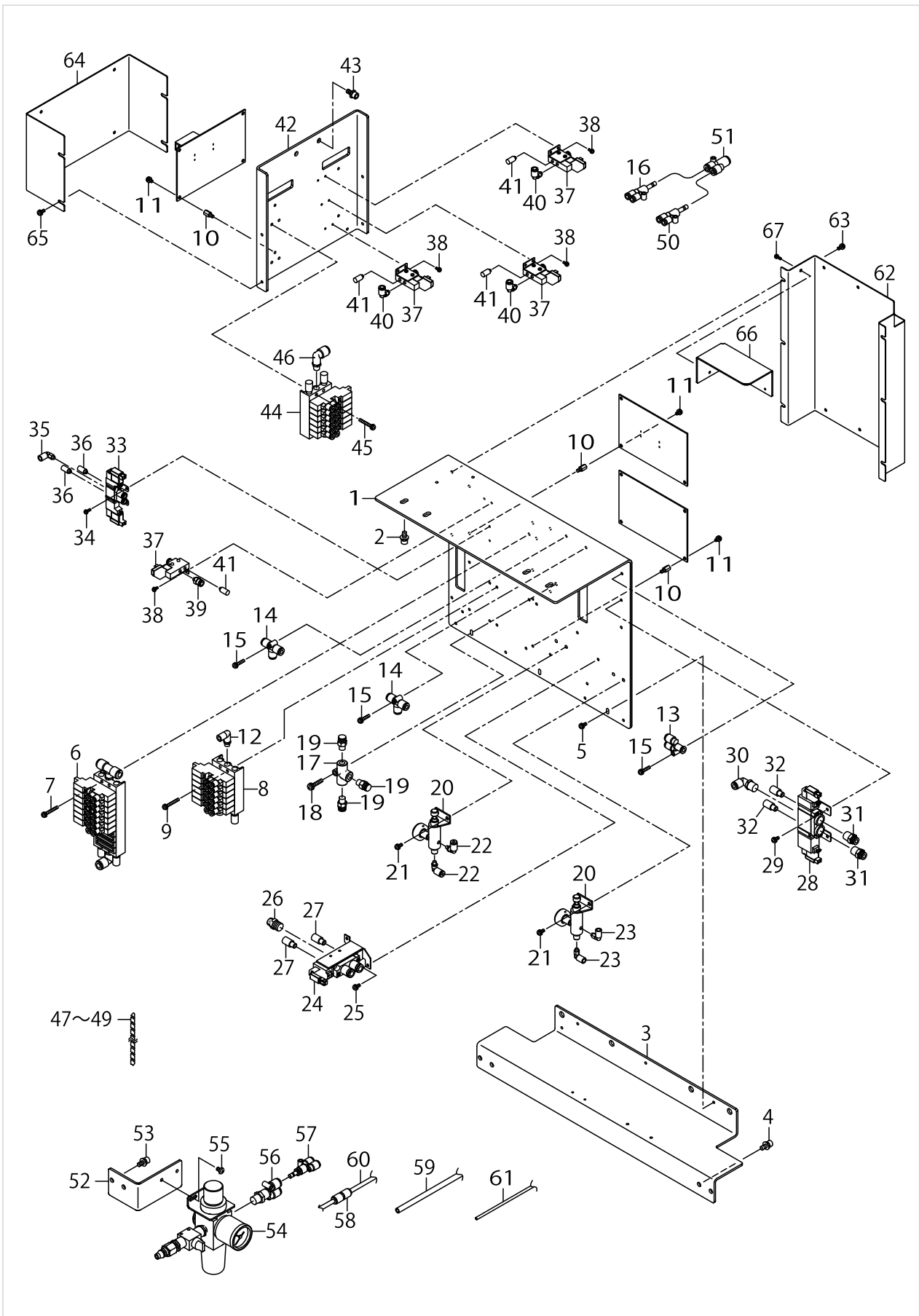
AIR PRESSURE COMPONENTS



AIR PRESSURE COMPONENTS

No.	Supply Code	Parts No.	Replacement	Parts name	Remarks	Choice	Step	Level	Cons	Qty	Rep. QTY
1		40116205		SOLENOID VALVE MOUNTING PLATE						1	
2		SL6061492TN		SCREW M6 L=14						4	
3		40116206		SOLENOID MOUNTING SPPORT PLATE						1	
4		SL6061492TN		SCREW M6 L=14						4	
5		SL4041091SC		SCREW M4 L=10						3	
6		40116207		ASSY MANIFOLD VALVE 11						1	
7		SL4043091SC		SCREW M4 L=30						4	
8		40116208		ASSY MANIFOLD VALVE 6						1	
9		SL4043091SC		SCREW M4 L=30						4	
10		HX003390000		SPACER						12	
11		SL4040881SC		SCREW M4 L=8						12	
12		PJ304065101		ELBOW UNION 6XPT1/8						1	
13		PJ308060003		UNION Y						1	
14		PJ305060004		T						2	
15		SL4042091SC		SCREW M4 L=20						3	
16		PJ308060004		BRANCH UNION Y						1	
17		PV205101000		SHUTTLE VALVE						1	
18		SL4052591SC		SCREW M5 L=25						1	
19		PJ301065103		HALF UNION 6XPT1/8						3	
20		PC0205010A0		MINIATURE DECOMPRESSION VALVE						2	
21		SL4051091SC		SCREW M5 L=10						4	
22		PJ304040504		UNION						2	
23		PJ304060502		ELBOW UNION 6XM5						2	
24		PV150213000		5-PORT SOLENOID VALVE						1	
25		SL4041091SC		SCREW M4 L=10						2	
26		PJ301065201		HALF UNION 6XPT1/4						1	
27		PX055104000		SILENCER						2	
28		PV150214000		5-PORT SOLENOID VALVE						1	
29		SL4041091SC		SCREW M4 L=10						2	
30		PJ304065201		ELBOW UNION 6XPT1/4						1	
31		PJ301065201		HALF UNION 6XPT1/4						2	
32		PX055104000		SILENCER						2	
33		PV150215000		5-PORT SOLENOID VALVE						1	
34		SL4031091SC		SCREW M3 L=10						2	
35		PJ304060502		ELBOW UNION 6XM5						3	
36		PX050501000		SILENCER						2	
37		PV130600100		3-PORT SOLENOID VALVE						4	
38		SL4030891SC		SCREW M3 L=8						8	
39		PJ301060503		HALF UNION						1	
40		PJ304040505		UNION						3	
41		PX050501000		SILENCER						4	
42		40116209		ASSY MANIFOLD VALVE SPPORT PLATE						1	
43		SL6061492TN		SCREW M6 L=14						2	
44		40116208		ASSY MANIFOLD VALVE 6						1	
45		SL4043091SC		SCREW M4 L=30						4	

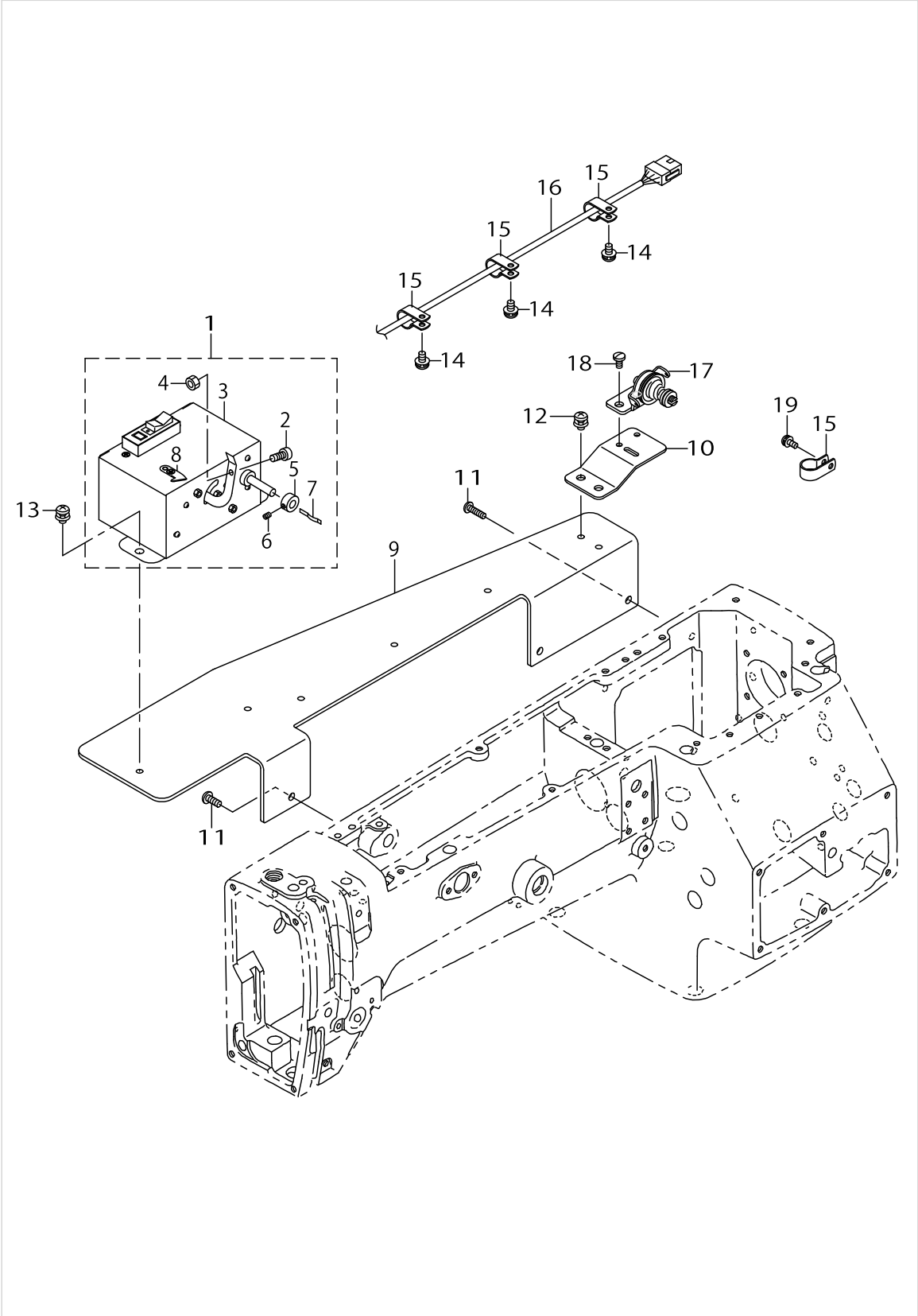
AIR PRESSURE COMPONENTS



AIR PRESSURE COMPONENTS

No.	Supply Code	Parts No.	Replacement	Parts name	Remarks	Choice	Step	Level	Cons	Qty	Rep. QTY
46		PJ304065101		ELBOW UNION 8XPT1/8						1	
47		HX003140000		SPIRAL TUBE						1	
48		HX00314000A		SPIRAL TUBE						3	
49		HX00314000B		SPIRAL TUBE						7	
50		PJ308060004		BRANCH UNION Y						1	
51		PJ308080003		DIFFERENT DIAMETER UNION Y						1	
52		40116210		FILTER INSTALLING PLATE						1	
53		SL6061492TN		SCREW M6 L=14						2	
54		40088208		FILTER REGULATOR ASSY						1	
55	D	SM4050801SC		SCREW M5X0.8 L=8						2	
56		PJ308085202		BRANCH Y						1	
57		PJ308080004		DIFFERENT DIAMETER BRANCH UNION Y						1	
58		PJ303060001		STRAIGHT UNION 6						1	
59		BT0800501EB		URETHANE TUBE BLACK 8X5						3	
60		BT0600401EB		URETHANE TUBE BLACK 6X4						37.7	
61		BT0400251EB		URETHANE TUBE BLACK 4X2.5						111	
62		40116211		INT BOAD COVER A						1	
63		SL4041091SC		SCREW M4 L=10						6	
64		40116212		INT BOAD COVER B						1	
65		SL4041091SC		SCREW M4 L=10						4	
66		40116213		INT BOAD COVER C						1	
67		SL4031091SC		SCREW M3 L=10						3	

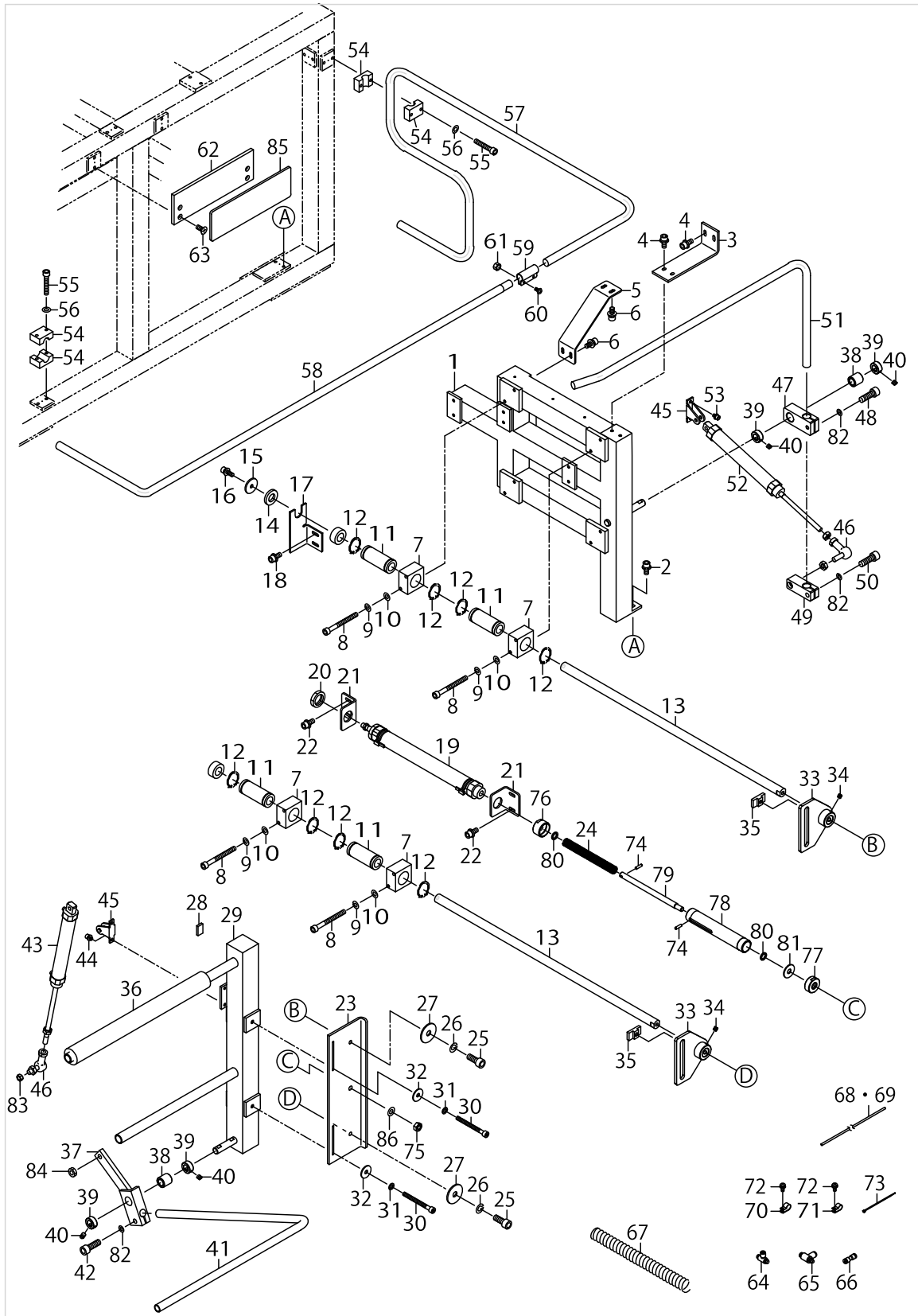
BOBBIN WINDER COMPONENTS



BOBBIN WINDER COMPONENTS

No.	Supply Code	Parts No.	Replacement	Parts name	Remarks	Choice	Step	Level	Cons	Qty	Rep. QTY
1		G80318750A0		BOBBINWINDERASM.						1	
2		G8031875000		BOBBIN PRESSER BOSS				*		1	
3		13870258		BOBBIN THREAD WIDING DEVICE				*		1	
4		NS6110420SP		NUT 11/64-40				*		1	
5	R	CS0640611SP	CS064061ASP	THRUST HOLDER				*		1	1.00
6		SS8090530TP		SCREW 9/64-40 L=5.0				*		1	
7		B3212761000		LATCH SPRING				*		1	
8		10502300		THREAD CUTTER				*		1	
9		G8033875000		BOBBIN DEVICE FITTING PLATE						1	
10		G3216270000		BOBBIN BASE						1	
11		SS4121615SP		SCREW 3/16-28 L=16						3	
12		SL4051091SC		SCREW M5X0.8 L=10						2	
13		SL4051091SC		SCREW M5X0.8 L=10						2	
14		SL4051091SC		SCREW M5X0.8 L=10						3	
15		HX00150000F		CABLE CLIP						4	
16		G80328750A0		BOBBIN POWER SOURCE CORD ASM.						1	
17		13889951		BOBBIN GUIDE ASM.						1	
18		SS7110840SP		SCREW 11/64-40 L=7.8						2	
19		SL4041091SC		SCREW M4 L=10						1	

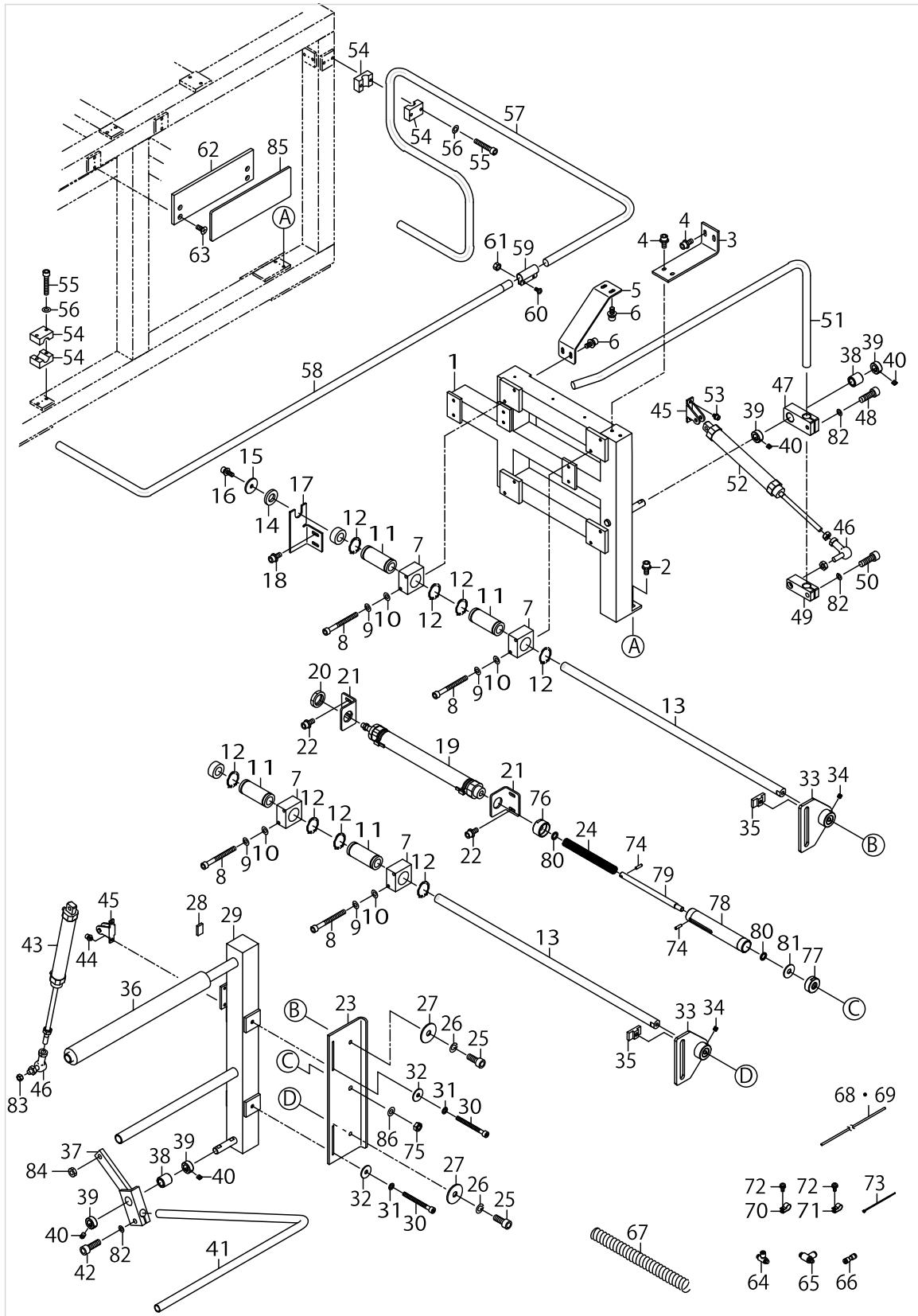
STACKER COMPONENTS



STACKER COMPONENTS

No.	Supply Code	Parts No.	Replacement	Parts name	Remarks	Choice	Step	Level	Cons	Qty	Rep. QTY
1		40116178		STACKERBASEASSY						1	
2		SL6061492TN		SCREW M6 L=14						2	
3		40116179		FITTING PLATE A						1	
4		SL6061492TN		SCREW M6 L=14						4	
5		40116180		FITTING PLATE B						1	
6		SL6061492TN		SCREW M6 L=14						4	
7		40116181		SLIDER SHAFT BLOCK						4	
8		SM6066052TP		SCREW M6 L=60						8	
9		WS0610002KN		SPRING WASHER M6						8	
10		WP0641601SC		WASHER M6						8	
11		40116182		SLIDER SHAFT BUSHING						4	
12		RC3781518KP		C-RING 35 (30)						8	
13		40116183		SLODER SHAFT						2	
14		40116184		STOPPER RUBBER						1	
15		40074011		CHUCK PLATE						1	
16		SL6082092TN		SCREW M8 L=20						1	
17		40116185		STOPPER PLATE						1	
18		SL6061492TN		SCREW M6 L=14						2	
19		40105074		FRONT BEHIND CYLINDER ASSY						1	
20		NM6260810SC		NUT M26						1	
21		40116186		SLIDER CYLINDER BASE PLATE						2	
22		SL6061492TN		SCREW M6 L=14						4	
23		40116187		CLOTH FEED TUBE JOINT						1	
24		40116202		SPRING						1	
25		SM6082002TP		SCREW M8 L=20						2	
26		WS0822010KP		SPRING WASHER 8.2X15X2						2	
27		WP0852086SC		WASHER M8						2	
28		40039896		CUSHION						3	
29		40116188		STAND TUBE ASSY						1	
30		SM6088502TP		SCREW M8 L=85						2	
31		WS0861410KR		SPRING WASHER 8.6X15X1.4						2	
32		WP0852086SC		WASHER M8						2	
33		40116519		CLOTH FEED TUBE JOINT A						2	
34		SM8080812TP		SCREW M8X8						4	
35		40116518		SCREW STOPPER						2	
36		40035143		CLAMP BASE CUSHION						1	
37		40116189		CLAMP BAR BASE						1	
38		40120991		METAL						2	
39		CS1501171TP		THRUST COLLAR D=15 W=11						4	
40		SM8060602TP		SCREW M6X6						8	
41		40116190		CLAMP BAR						1	
42		SM6082502TP		SCREW M8 L=25						1	
43		40105075		STACKER FULL CYLINDER ASSY						1	
44		SL6061042TN		SCREW M6 L=10						2	
45		PA900060000		CLEVIS HOLDER						2	
46		G6118870000		SHAPE REMOVING BALL						2	

STACKER COMPONENTS



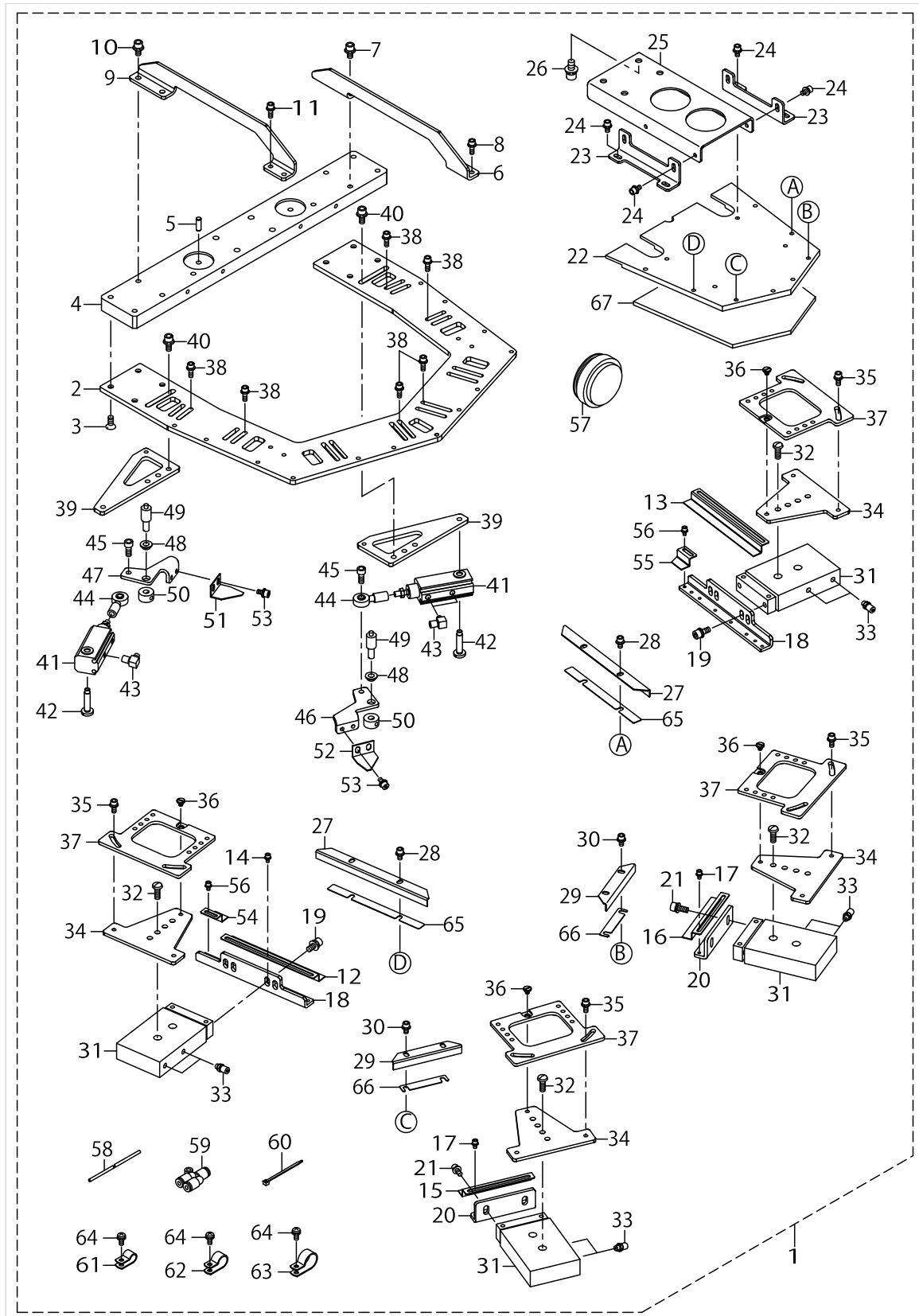
STACKER COMPONENTS

No.	Supply Code	Parts No.	Replacement	Parts name	Remarks	Choice	Step	Level	Cons	Qty	Rep. QTY
47		40116191		BRUSH BAR ROD						1	
48		SM6082502TP		SCREW M8 L=25						1	
49		40116192		BRUSH BAR BRACKET						1	
50		SM6082502TP		SCREW M8 L=25						1	
51		40116193		CLOYH BRUSH BAR						1	
52		40105076		DRIVE AWAY CYLINDER ASSY						1	
53		SL6061042TN		BOLT						2	
54		G7524870000		PIPE CLAMP MAIN BODY						4	
55	R	SM6063502TN	SM6063502TP	HEXAGONAL-HOLE BOLT M6 L=35						4	1.00
56		WP0641600SC		WASHEW6.4X12.5X1.6						4	
57		40116194		SAFTY BAR A						1	
58		40116195		SAFTY BAR B						1	
59	R	22931307	40096354	SPOOL REST ROD JOINT						1	1.00
60		SM4051001SN		SCREW M5						2	
61		NM6050001SE		NUT M5X0.8 TYPE1						2	
62		40116196		CLOTHES STOPPER						1	
63		SM1061401SE		SCREW M6 L=14						4	
64		PC015108000		SPEED CONTROLLER						4	
65		PC015106000		SPEED CONTROLLER						2	
66		PJ303040002		STRAIGHT UNION 4						2	
67		G5611341000		SPIRAL TUBE						1	
68		BT0400251EB		URETHANE TUBE BLACK 4X2.5						7	
69		BT0600401EB		URETHANE TUBE BLACK 6X4						3	
70		HX00150000E		CABLE CLAMP						3	
71		HX00150000D		CABLE CLAMP						5	
72		SL4041091SC		SCREW M4 L=10						10	
73		EA9500B0100		CABLE BAND						10	
74		40116197		PIN						2	
75		NM6100001SC		NUT M10X1.5 TYPE1						1	
76		40116198		HOUSING CAP A						1	
77		40116199		HOUSING CAP B						1	
78		40116200		HOUSING PIPE						1	
79		40116201		GUIDE SHAFT						1	
80		WP1221016SP		WASHER						2	
81		GAK33032000		SOLENOID RUBBER						1	
82		WP0841600SC		WASHER						3	
83		40120990		COLLAR						1	
84		PA900016000		NUT						1	
85		40120989		CLOTHES_STOPPER_SPONGE						1	
86		WP1052001SC		WASHER 10,5X21X2						1	

CREASE GAGE COMPONENTS

No.	Supply Code	Parts No.	Replacement	Parts name	Remarks	Choice	Step	Level	Cons	Qty	Rep. QTY
1		40116545		PH CREASE GAGE COMPONENTS						1	
2		40116464		FOLDING BASE PLATE(L)				*		1	
3		SM1051201SC		SCREW M5X0.8 L=12				*		8	
4		40116465		FOLDING BASE FITTING PLATE				*		1	
5		G6017875000		GAUGE PIN				*		2	
6		40116466		FOLDING BASE SUPPORT PLATE RIGHT				*		1	
7		SL6051092TN		SCREW M5 L=10				*		2	
8		SL6041292TN		SCREW M4 L=12				*		2	
9		40116467		FOLDING BASE SUPPORT PLATE LEFT				*		1	
10		SL6051092TN		SCREW M5 L=10				*		2	
11		SL6041292TN		SCREW M4 L=12				*		2	
12		40116468		FOLDING PLATE A LEFT				*		1	
13		40116469		FOLDING PLATE A RIGHT				*		1	
14		SL6030692TN		SCREW M3 L=6				*		6	
15		40116470		FOLDING PLATE B LEFT				*		1	
16		40116471		FOLDING PLATE B RIGHT				*		1	
17		SL6030692TN		SCREW M3 L=6				*		4	
18		40116472		FOLDING SUPPORT PLATE A				*		2	
19		SL6051292TN		SCREW M5 L=12				*		4	
20		40116473		FOLDING SUPPORT PLATE B				*		2	
21		SL6051292TN		SCREW M5 L=12				*		4	
22		40116474		POCKET PRESSER PLATE (M SIZE)				*		1	
23		40116475		POCKET PRESSER POSITIONING PLATE				*		2	
24		SL6041092TN		SCREW				*		8	
25		40116476		POCKET PRESSER FITTING PLATE				*		1	
26		SL6061492TN		SCREW M6 L=14				*		4	
27		40116477		VERTICAL FOLDING PLATE A				*		2	
28		SL6041092TN		SCREW				*		4	
29		40116478		VERTICAL FOLDING PLATE B				*		2	
30		SL6040892TN		SCREW M4 L=8				*		4	
31		PA1502008A0		AIR CYLINDER				*		4	
32		SM5051400SC		SCREW M5 L=14				*		8	
33		PJ032052503		HOSE NIPPLE				*		8	
34		40116480		ROTABLE CYLINDER PLATE				*		4	
35		SL6041092TN		SCREW M4 L=10				*		8	
36		SD0500166TP		SHOULDER SCREW D=5 H=1.6				*		4	
37		40116481		MOVABLE CYLINDER PLATE				*		4	
38		SL6041292TN		SCREW M4 L=12				*		16	
39		40116482		POCKET MOUTH FOLD BASE				*		2	
40		SL6051292TN		SCREW M5 L=12				*		4	
41		PA1602014A0		AIR CYLINDER				*		2	
42		40116483		FOLDING STEP SCREW				*		2	
43		PJ046052503		HOSE ELBOW				*		4	
44		B1632180000		FEED ADJUSTING JOINT				*		2	
45		SM6051202TP		SCREW M5X0.8 L=12				*		2	

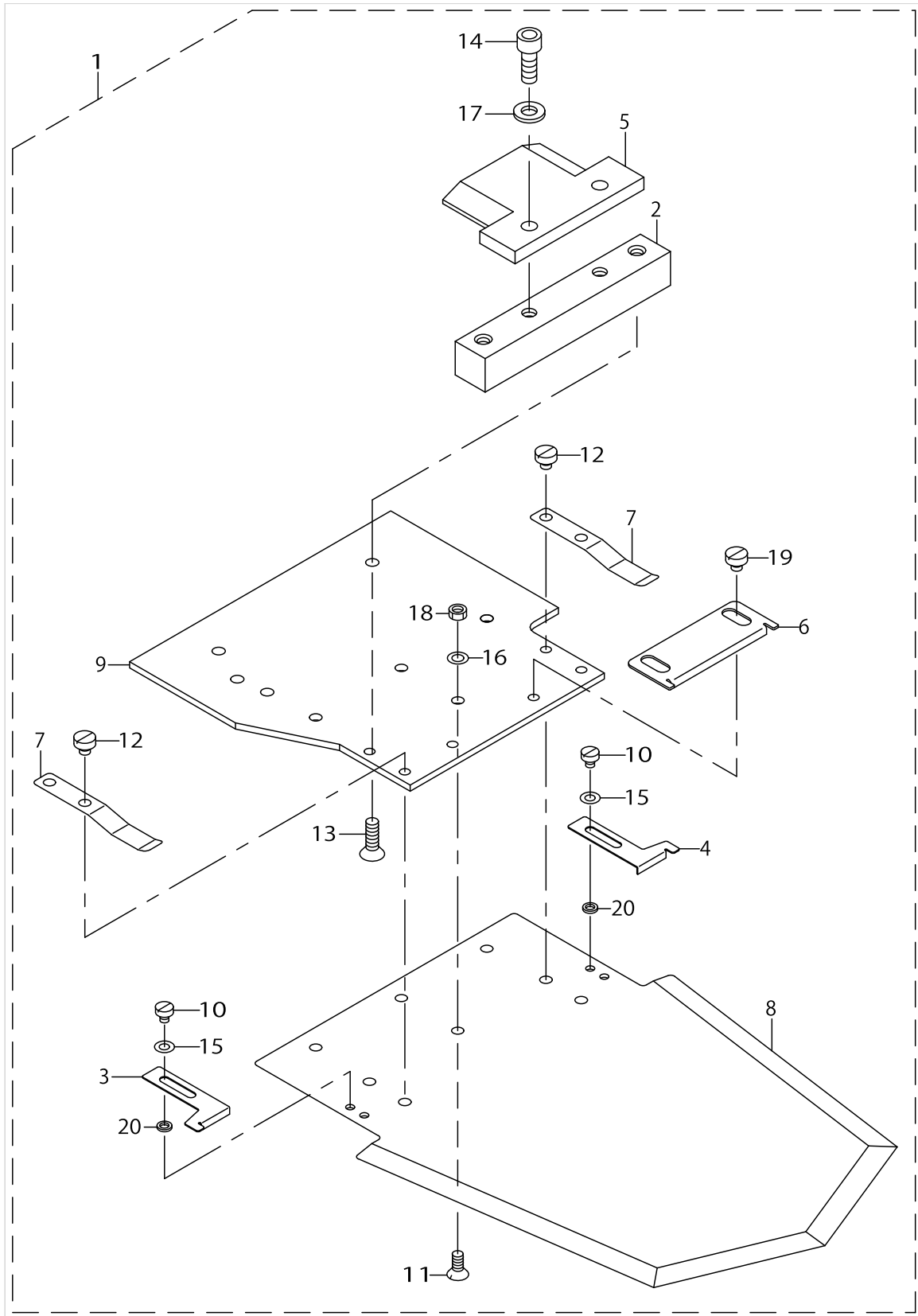
CREASE GAGE COMPONENTS



CREASE GAGE COMPONENTS

No.	Supply Code	Parts No.	Replacement	Parts name	Remarks	Choice	Step	Level	Cons	Qty	Rep. QTY
46		40116484		FOLDING PLATE RIGHT				*		1	
47		40116485		FOLDINGPLATELEFT				*		1	
48		G6031870000		BEARING				*		2	
49		40116486		POCKET MOUTH FOLD SHAFT A				*		2	
50		G6014880000		LINK THRUST HOLDER				*		2	
51		G6015875000		CREASING PLATE				*		1	
52		G6016875000		CREASING PLATE				*		1	
53		SL6040892TN		SCREW M4 L=8				*		4	
54		40116487		CREASING PLATE LEFT				*		1	
55		40116488		CREASING PLATE RIGHT				*		1	
56		SL6030692TN		SCREW M3 L=6				*		4	
57		PJ401000400		MULTI CONNECTOR (PLUG)				*		1	
58		BT0400251EB		URETHANE TUBE BLACK 4X2.5				*		1	
59		PJ308040002		QUICK JOINT				*		2	
60		HX002330000		CABLE BAND				*		12	
61		HX00150000C		CABLE CLAMP				*		4	
62		HX00150000E		CABLE CLAMP				*		8	
63		HX00150000H		CABLE CLAMP				*		1	
64		SL4041091SC		SCREW M4 L=10				*		13	
65		40121701		VERTICAL_FODING_- PLATE_SPACER_A						2	
66		40121702		VERTICAL_FODING_- PLATE_SPACER_B						2	
67		40121866		POCKET_PRESSER_SPONGE						1	

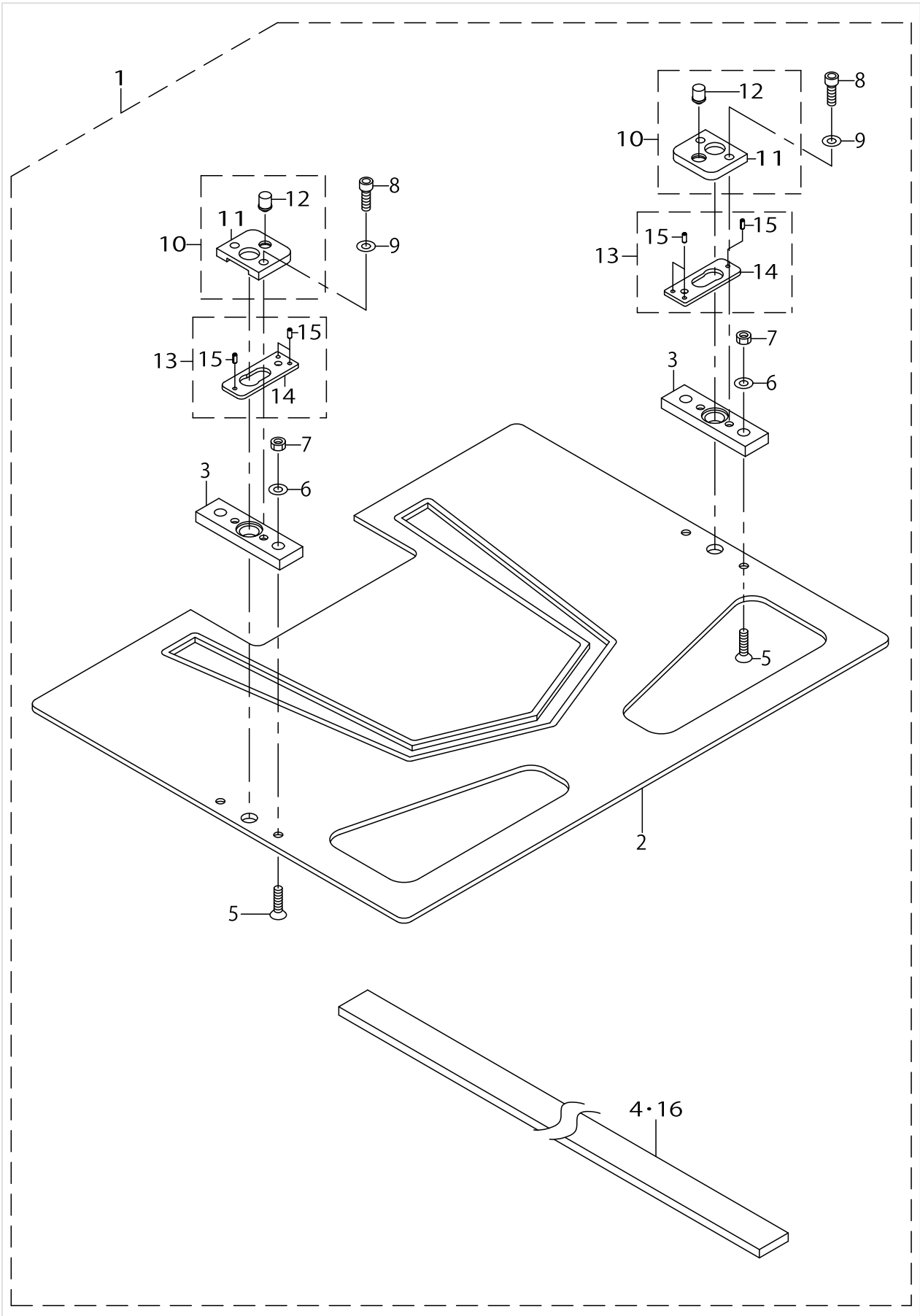
FORM PLATE GAGE COMPONENTS



FORM PLATE GAGE COMPONENTS

No.	Supply Code	Parts No.	Replacement	Parts name	Remarks	Choice	Step	Level	Cons	Qty	Rep. QTY
1		40116546		PH FORM PLATE G- AGE COMPONENTS						1	
2		G6110875000		LOCATING PLATE				*		1	
3		G6115875000		LOCATING PLATE				*		1	
4		G6116875000		LOCATING PLATE				*		1	
5		G6019870000		ONE TOUCH LOCK PLATE				*		1	
6		G6114875000		POCKET CLOTH LO- CATING PLATE A				*		1	
7		G6111870000		POCKET PRESSER SPRING				*		2	
8		40116489		TEMPLATE				*		1	
9		40116490		TEMPLATE FITTING PLATE				*		1	
10		SS6090420SP		SCREW 9/64-40 L=4.0				*		4	
11		SS2110920TP		SCREW 11/64-40 L=8.5				*		3	
12		SS6110480SP		SCREW 11/64-40 L=4.3				*		4	
13		SM1051601SC		SCREW M5X0.8 L=16				*		2	
14		SM6062002TN		SCREW M6 L=20				*		2	
15		WP0410846SC		WASHER				*		4	
16		WP0450801SP		WASHER				*		5	
17		WP0641601SC		WASHER M6				*		2	
18		NS6110360SP		HEXAGONAL NUT 11/64-40				*		3	
19		SS6110480SP		SCREW 11/64-40 L=4.3				*		2	
20		WP0371036SD		WASHER 3.7X6X1				*		4	

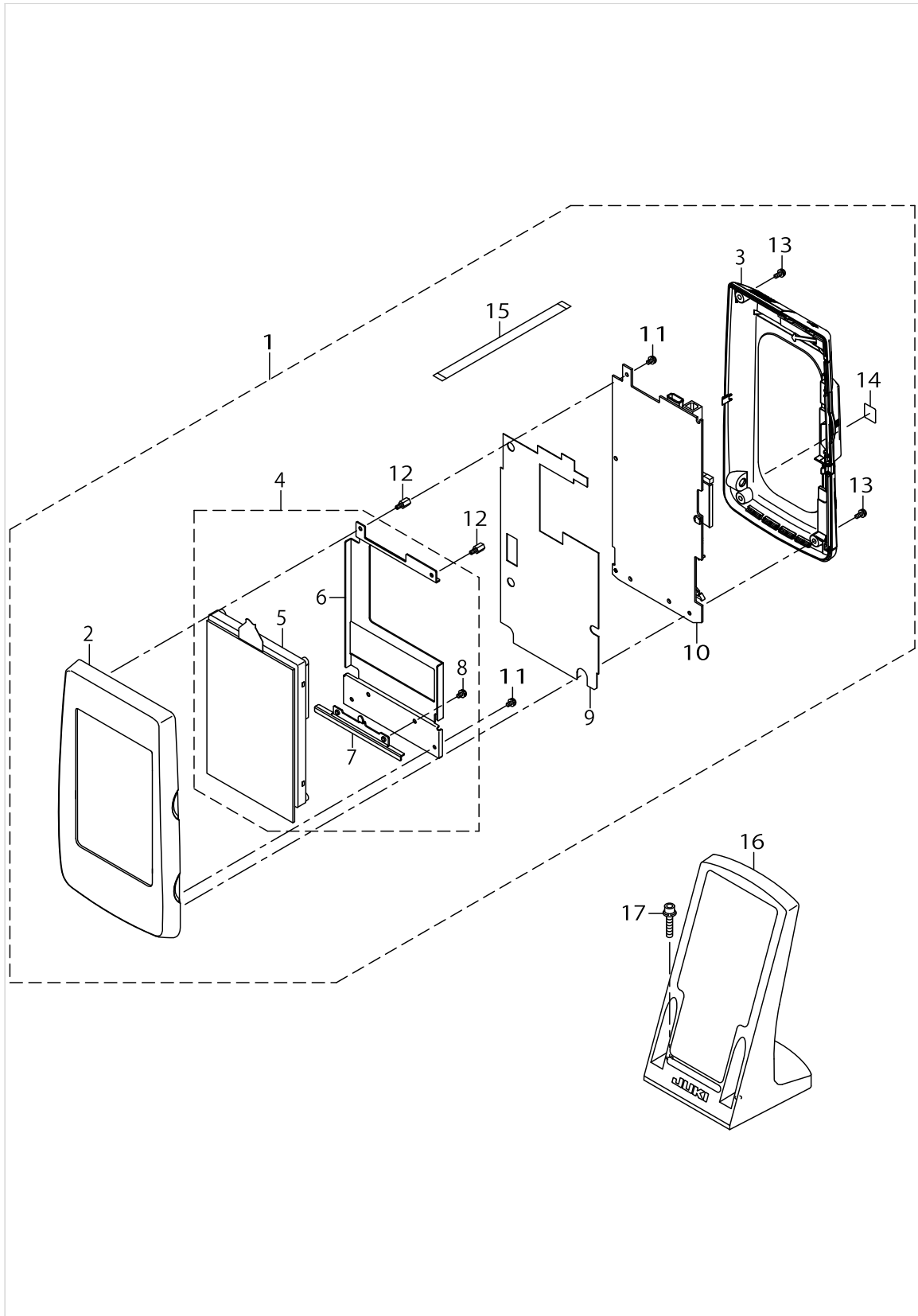
PRESSER GAGE COMPONENTS



PRESSER GAGE COMPONENTS

No.	Supply Code	Parts No.	Replacement	Parts name	Remarks	Choice	Step	Level	Cons	Qty	Rep. QTY
1		40116547		PH PRESSER GAGE COMPONENTS						1	
2		40116491		PRESSER PLATE (SPECIAL)				*		1	
3		G6112875000		BALL CATCH				*		2	
4		G6113875000		CLOTH PRESSER SPONGE				*		1	
5		SM1041601SC		SCREW M4X0.7 L=16				*		4	
6		WP0430801SC		WASHER M4				*		4	
7		NM6040001SC		NUT M4X0.7 TYPE1				*		4	
8		SM6041002TN		SCREW				*		4	
9		WP0430801SC		WASHER M4				*		4	
10		G61198750A0		BALL SUPPORT FIX- ING PLATE ASM.				*		2	
11	R	G6119875000A	G61198750A0	BALL SUPPORT FIXING PLATE				*		1	1.00
12		G6122875000		BALL SUPPORT PLUNGER				*		1	
13		G61208750A0		BALL SUPPORT ASM.				*		2	
14	R	G6120875000A	G61208750A0	BALL SUPPORT				*		1	1.00
15		PS0200052KH		SPRING PIN 2X5				*		3	
16		G611387500A		CLOTH PRESSER SPONGE A				*		1	

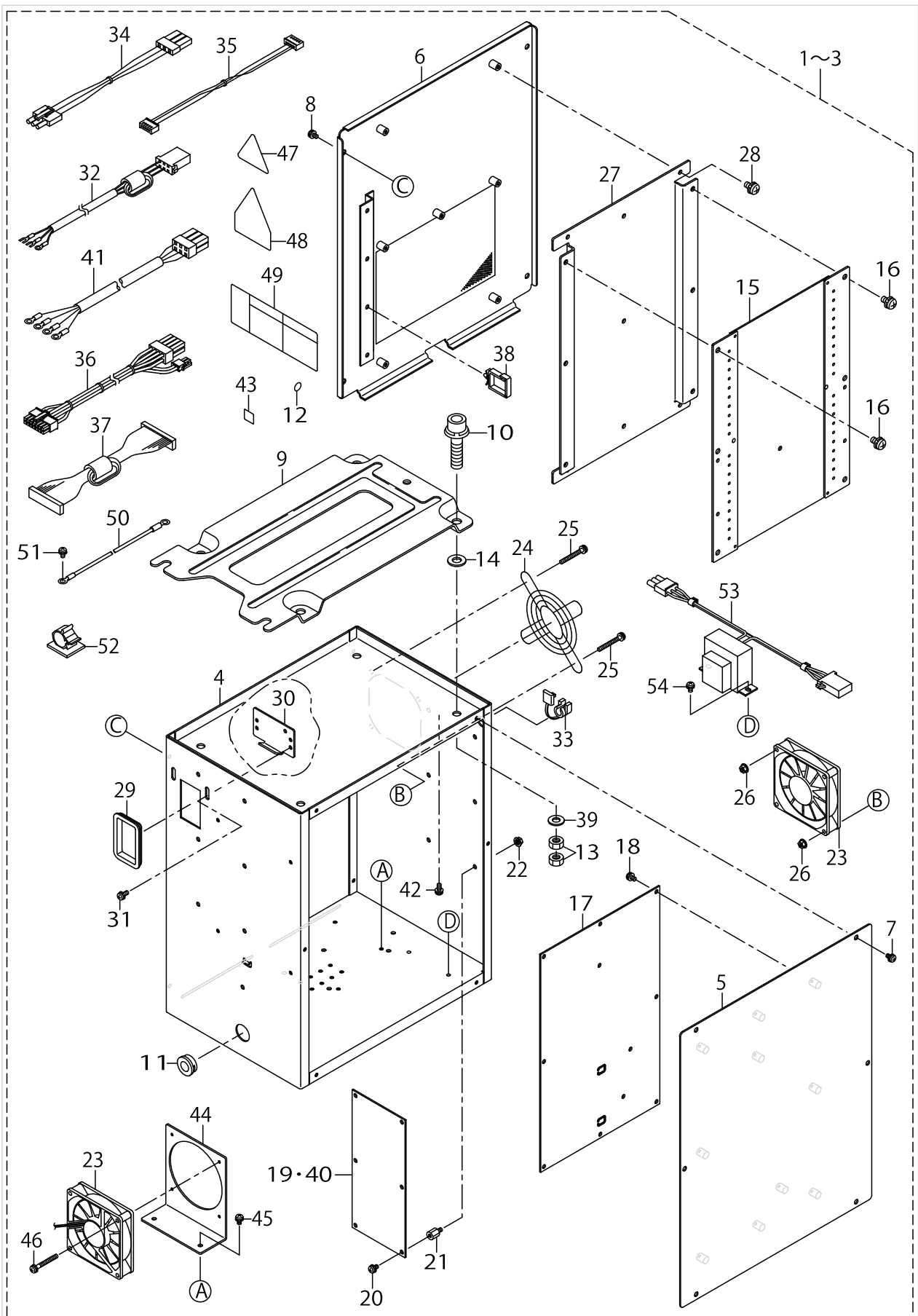
OPERATION PANEL COMPONENTS



OPERATION PANEL COMPONENTS

No.	Supply Code	Parts No.	Replacement	Parts name	Remarks	Choice	Step	Level	Cons	Qty	Rep. QTY
1		40105020		IP-420 TYPE K						1	
2		40078163		FRONT CASE				*		1	
3		40080799		REAR CASE ASSY				*		1	
4		40080800		LCD ASSY				*		1	
5		40086541		LCD TOUCH PANEL ASSY	TECHNICAL INFOMATI- ON (A16-029)			*		1	
6		40083668		LCD BRACKET	TECHNICAL INFOMATI- ON (A16-029)			*		1	
7	R	40083666	40080800	LCD STAY				*		1	1.00
8		SL4030681SC		SCREW M3 L=6				*		2	
9		40078168		INSULATION SHEET				*		1	
10	R	40083960	40086541	PANEL PCB ASSY		A		*		1	1.00
10	R	40083960	40083668	PANEL PCB ASSY		A		*		1	1.00
10	R	40083960	40166481	PANEL PCB ASSY		A		*		1	1.00
10	R	40083960	40166318	PANEL PCB ASSY		A		*		1	1.00
10	R	40083960	HW002650330	PANEL PCB ASSY		A		*		1	1.00
11		SL4030681SC		SCREW M3 L=6				*		3	
12		HX00354000B		SPACER				*		2	
13		SL4030881SC		SCREW M3X8				*		4	
14		CM600100101		WEEE MARK LABEL S				*		1	
15	R	HW002180200	HW002650330	FLAT CABLE		A		*		1	1.00
15	R	HW002180200	40083668	FLAT CABLE		A		*		1	1.00
15	R	HW002180200	40086541	FLAT CABLE		A		*		1	1.00
15	R	HW002180200	40166481	FLAT CABLE		A		*		1	1.00
15	R	HW002180200	40166318	FLAT CABLE		A		*		1	1.00
16		40035024		OPERATION BOX FI- XED PLATE(B)ASM.						1	
17		SL6052592TN		SCREW M5 L=25						2	

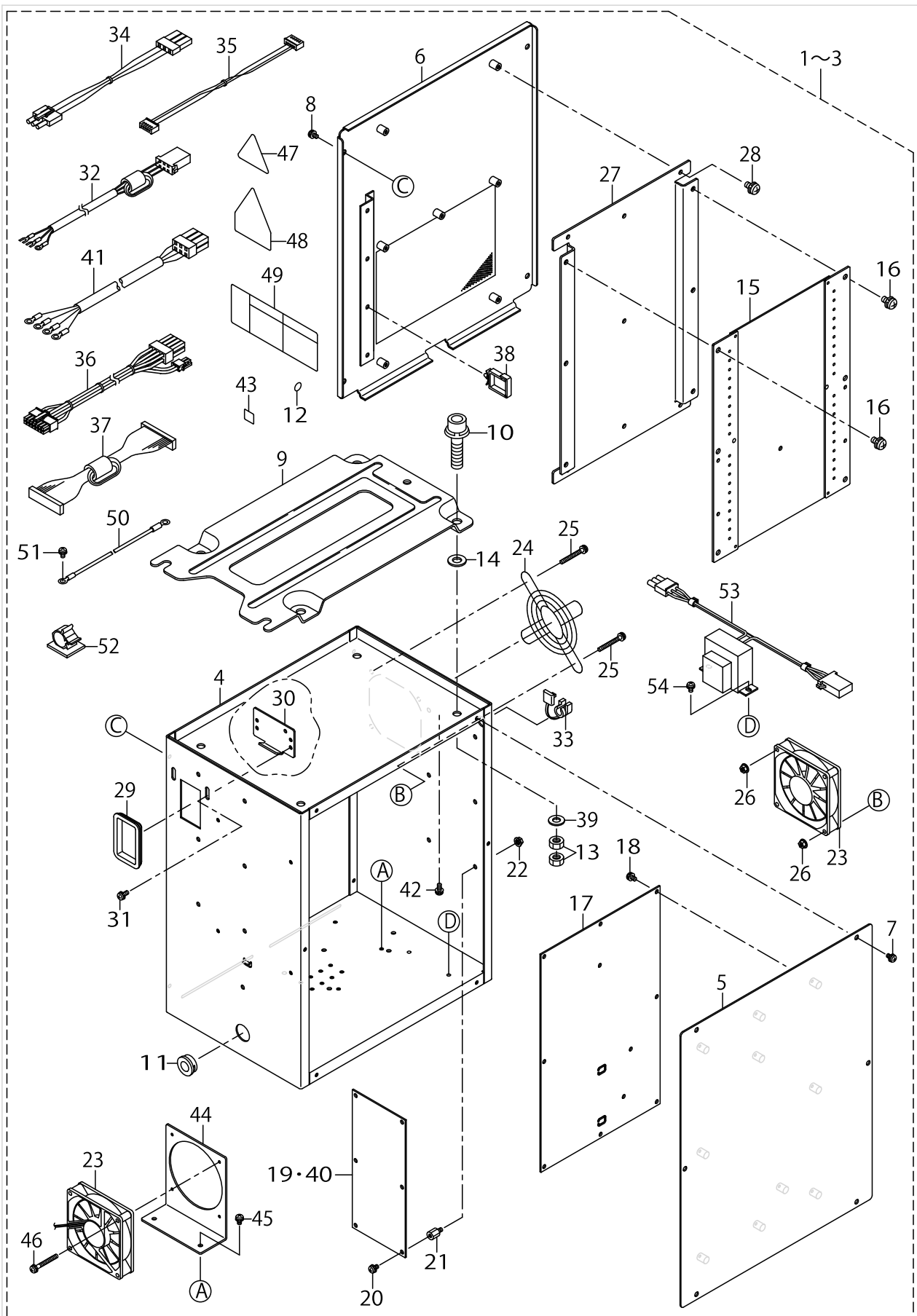
CONTROL BOX COMPONENTS



CONTROL BOX COMPONENTS

No.	Supply Code	Parts No.	Replacement	Parts name	Remarks	Choice	Step	Level	Cons	Qty	Rep. QTY
1		40105004		CONTROLBOXAASM.	FOR GENERAL EXPORT (1-PHASE 200~240V)					1	
2		40105005		CONTROLBOXBASM.	FOR CE (1-PHASE 220~240V)					1	
3		40105006		CONTROLBOXCASM.	FOR GENERAL EXPORT AND USE IN JAPAN (3-PHASE 200~240V)					1	
4		40055355		CONTROL BOX				*		1	
5		40055356		CONTROL BOX FRONT COVER				*		1	
6		40055357		CONTROL BOX REAR COVER				*		1	
7		SL4040891SC		SCREW M4 L=8				*		6	
8		SL4040891SC		SCREW M4 L=8				*		4	
9		M3801476000		TRANSMISSION BOX FITTING PLATE				*		1	
10		SL6083092TN		SCREW				*		4	
11		HX00326000K		GROMMET				*		1	
12		E9567319000		EARTH MARK				*		1	
13		NM6080001SC		NUT M8X1.25				*		8	
14		M4206461000		WASHER				*		4	
15		40105030		MAIN PCB ASSY				*		1	
16		SL4040891SC		SCREW M4X8				*		6	
17		40082758		SDC PCB A ASSY				*		1	
18		SL4040881SC		SCREW M4 L=8				*		10	
19	R	40000046	40162838	FLT-S PCB A ASSY	FOR GENERAL EXPORT (1-PHASE 200~240V), CE(1-PHASE 220~240V)			*		1	1.00
20		SL4040881SC		SCREW M4 L=8				*		6	
21		HX003390000		STUD				*		6	
22		NM3040520SC		NUT M4				*		6	
23		40005401		FAN MOTOR ASS'Y				*		2	
24		KM000000480		FAN MOTOR				*		1	
25		SL4043591SC		SCREW				*		4	
26		NM3040520SC		NUT M4				*		4	
27		40005706		MAIN PCB HOLDER PLATE				*		1	
28		SL4040881SC		SCREW M4 L=8				*		5	
29		HX004070000		BUSH				*		1	
30		17845009		CORD FITTING PLATE				*		1	
31		SL4041091SC		SCREW M4 L=10				*		2	
32		40086466		POWER CORD JE ASSY	FOR GENERAL EXPORT (1-PHASE 200~240V), CE(1-PHASE 220~240V)			*		1	
33		KX000000320		BUSH				*		1	
34		40005393		FLT-SDC CORD P ASS'Y	FOR GENERAL EXPORT (1-PHASE 200~240V)			*		1	

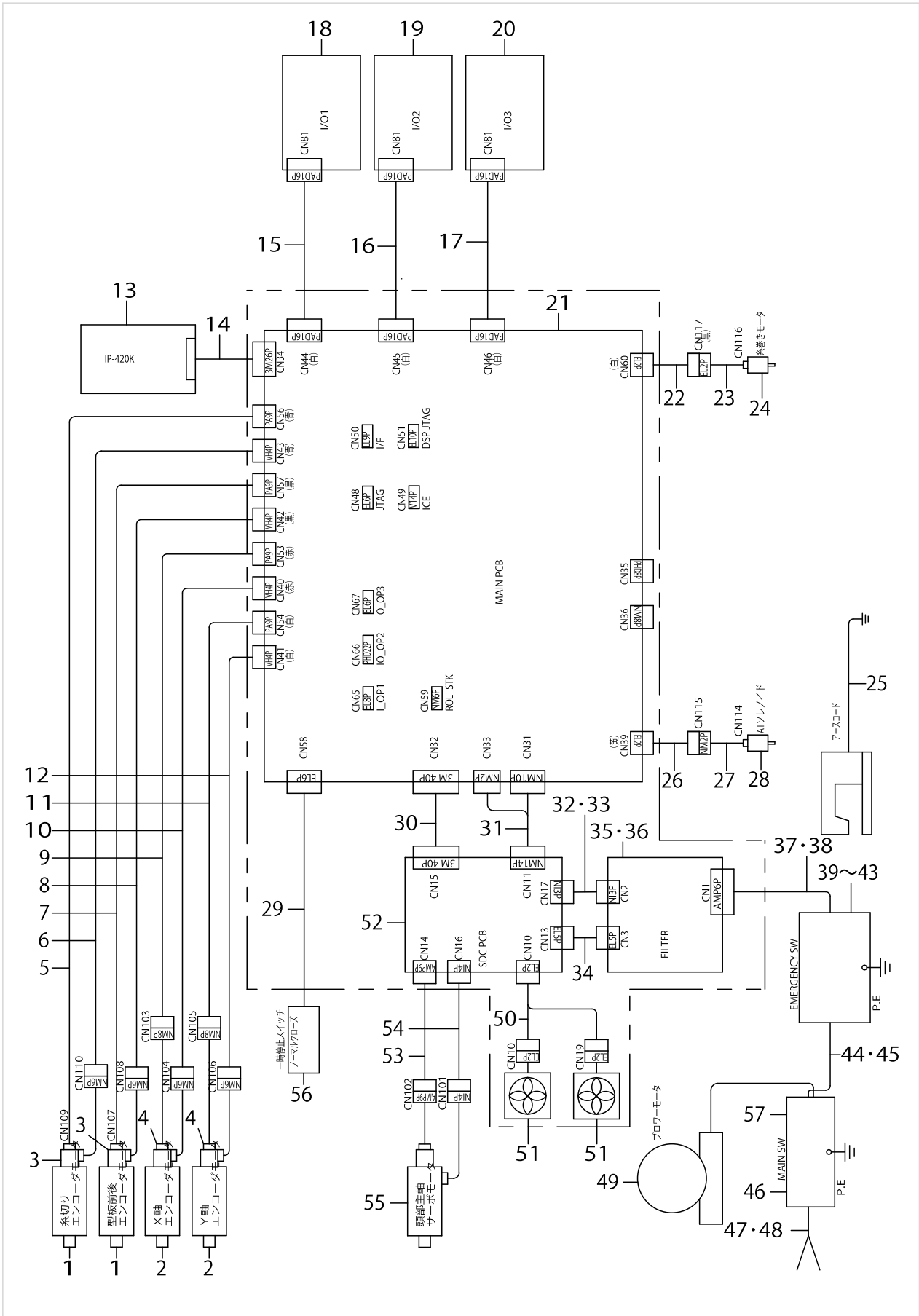
CONTROL BOX COMPONENTS



CONTROL BOX COMPONENTS

No.	Supply Code	Parts No.	Replacement	Parts name	Remarks	Choice	Step	Level	Cons	Qty	Rep. QTY
35		40005394		FLT-SDC CORD S ASS'Y				*		1	
36		40105078		SDC-MAIN CORD P ASSY				*		1	
37		40082736		SDC-MAIN CORD S ASSY				*		1	
38		HX005110000		WIRE SADDLE				*		3	
39		WP0841601SC		WASHER 8.4X17.4X1.6				*		4	
40		40051320		FLT-T PCB B ASSY	FOR GENERAL EXPORT AND USE IN JAPAN (3-PHASE 200~240V)			*		1	
41		40086465		POWER CORD 3P ASSY	FOR GENERAL EXPORT AND USE IN JAPAN (3-PHASE 200~240V)			*		1	
42		SL4041091SC		SCREW M4 L=10	FOR GENERAL EXPORT (1-PHASE 200~240V), CE(1-PHASE 220~240V)			*		1	
43		CM600100101		WEEE MARK LABEL S				*		1	
44		40005404		FAN MOTOR BRACKET				*		1	
45		SL4040891SC		SCREW M4X8				*		2	
46		SL4033091SC		SCREW M3 L=30				*		4	
47		CM300100004		VOLTAGE WARNING LABEL (50)	FOR GENERAL EXPORT (1-PHASE 200~240V), CE(1-PHASE 220~240V)			*		1	
48		CM300400601		VOLTAGE CAUTION LABEL L=63				*		1	
49		CM300100401		VOLTAGE DANGER LABEL 3 (LARGE)	FOR GENERAL EXPORT AND USE IN JAPAN (3-PHASE 200~240V)			*		1	
50		M90295800A0		FDD EARTH CORD ASM.				*		1	
51		SL4040891SC		SCREW M4X8				*		4	
52		KX000000330		WIRE SADDLE				*		1	
53		40090589		REACTOR	FOR GENERAL EXPORT AND USE IN JAPAN (3-PHASE 200~240V), CE(1-PHASE 220~240V)			*		1	
54		SL4040881SC		SCREW M4 L=8	FOR GENERAL EXPORT AND USE IN JAPAN (3-PHASE 200~240V), CE(1-PHASE 220~240V)			*		2	

WIRING DIAGRAM (1)



WIRING DIAGRAM (1)

No.	Supply Code	Parts No.	Replacement	Parts name	Remarks	Choice	Step	Level	Cons	Qty	Rep. QTY
1		40071944		STEPPING MOTOR						2	
2		40105099		STEPPING MOTOR						2	
3		HD002780000		SENSOR						2	
4		40105098		ENCODER ASSY						2	
5		40105101		TRM ENCODER CABLE ASSY						1	
6		40105100		TRM MOTOR CABLE ASSY						1	
7		40105124		K ENCODER CABLE ASSY						1	
8		40105122		K MOTOR CABLE ASSY						1	
9		40105105		X ENCODER CABLE ASSY						1	
10		40105104		X MOTOR CABLE ASSY						1	
11		40105107		Y ENCODER CABLE ASSY						1	
12		40105106		Y MOTOR CABLE ASSY						1	
13		40105020		IP-420 TYPE K						1	
14		40073679		PANEL CABLE ASSY L						1	
15		40105110		IO1 PCB CABLE ASSY						1	
16		40105112		IO2 PCB CABLE ASSY						1	
17		40105114		IO3 PCB CABLE ASSY						1	
18		40105090		I/O1 PCB ASSY						1	
19		40105058		I/O2 PCB ASSY						1	
20		40105068		I/O3 PCB ASSY						1	
21		40105030		MAIN PCB ASSY						1	
22		40105133		THD WINDER CABLE 2 ASSY						1	
23		40105132		THD WINDER CABLE 1 ASSY						1	
24		13870258		BOBBIN THREAD WIDING DEVICE						1	
25		40105121		EARTH CABLE ASSY						1	
26		40105135		AT SOLENOID CABLE 2 ASSY						1	
27		40105134		AT SOLENOID CABLE 1 ASSY						1	
28		40016908		AT SOLENOID						1	
29		40105168		PAUSE SWITCH CORD ASSY						1	
30		40082736		SDC-MAIN CORD S ASSY						1	
31		40105078		SDC-MAIN CORD P ASSY						1	
32		40090589		REACTOR	FOR GENERAL EXPORT AND USE IN JAPAN (3-PHASE)					1	
33		40005393		FLT-SDC CORD P ASSY	FOR GENERAL EXPORT (1-PHASE)					1	
34		40005394		FLT-SDC CORD S ASSY						1	
35		40051320		FLT-T PCB B ASSY	FOR GENERAL EXPORT AND USE IN JAPAN (3-PHASE)					1	
36	R	40000046	40162838	FLT-S PCB A ASSY	FOR GENERAL EXPORT AND CEE(1-PHASE)					1	1.00
37		40086465		POWER CORD 3P ASSY	FOR GENERAL EXPORT AND USE IN JAPAN (3-PHASE)					1	

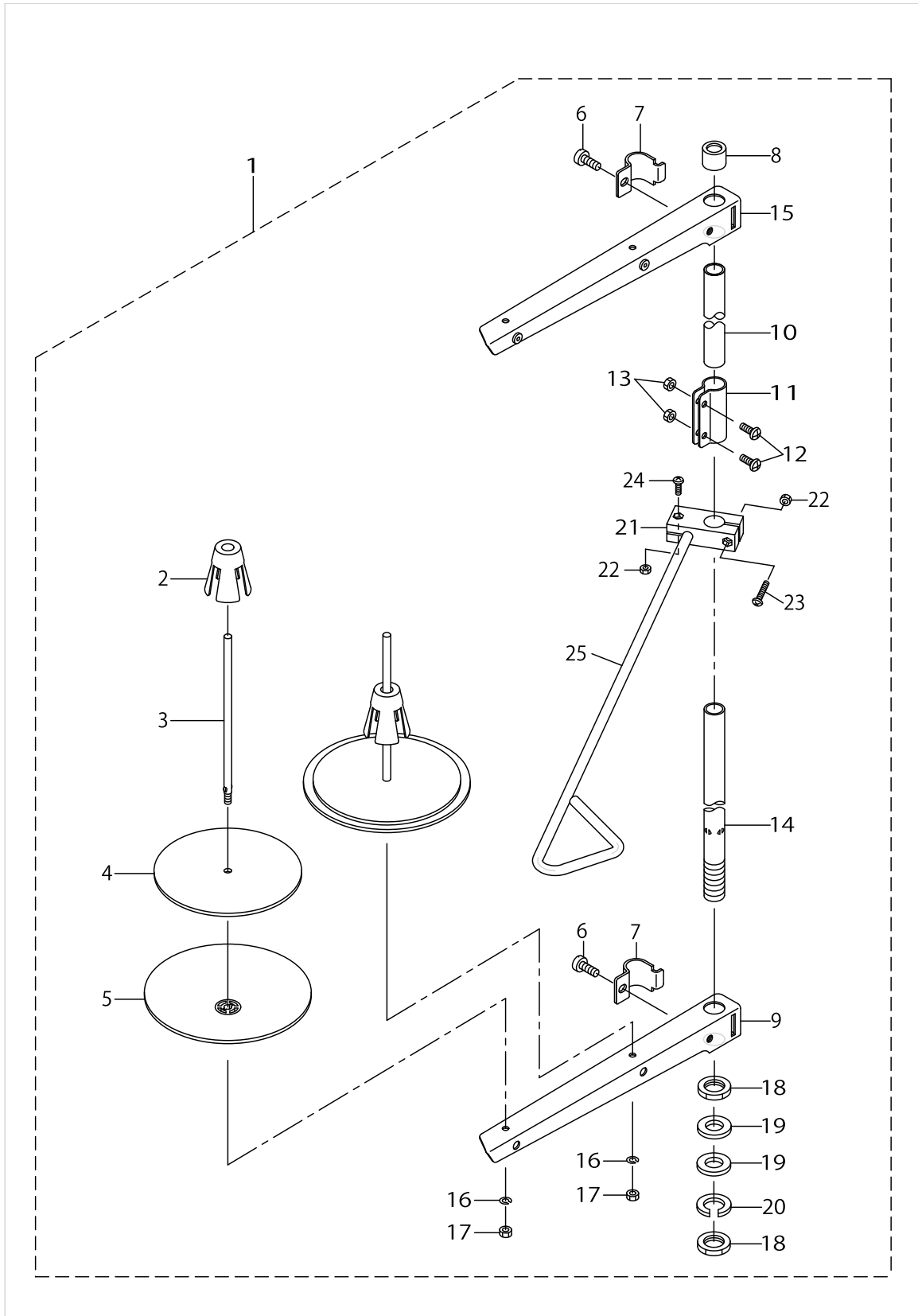
WIRING DIAGRAM (1)

No.	Supply Code	Parts No.	Replacement	Parts name	Remarks	Choice	Step	Level	Cons	Qty	Rep. QTY
38		40086466		POWER CORD JE ASSY	FOR GENERAL EXPORT AND C-E(1-PHASE)					1	
39		HA006280000		SWITCH						1	
40		HA006280010		SWITCH						1	
41		HA006280020		SWITCH						1	
42		HA006280030		SWITCH						1	
43		40091335		OFF SW BOX GND PLATE						1	
44		40105088		EMERGENCY CABLE 3P ASSY	FOR GENERAL EXPORT AND USE IN JAPAN (3-PHASE)					1	
45		40105089		EMERGENCY CABLE 1P ASSY	FOR GENERAL EXPORT AND C-E(1-PHASE)					1	
46		HA005820000		SWITCH						1	
47		40058398		AC POWER CORD C ASM.	FOR GENERAL EXPORT AND USE IN JAPAN (3-PHASE)					1	
48		40058397		AC POWER CORD B ASM.	FOR GENERAL EXPORT AND C-E(1-PHASE)					1	
49		KM000000510		BLOWER MOTOR						1	
50		40031485		FAN POWER CABLE						1	
51		40005401		FAN MOTOR ASSY						2	
52		40082758		SDC PCB A ASSY						1	
53		40105109		SERVO MOTOR S CORD ASSY						1	
54		40105108		SERVO MOTOR P CORD ASSY						1	
55		40052937		550W SERVO MOTOR						1	
56		HA00006000C		SWITCH						1	
57		40105092		SWITCH BOX CORD ASSY	FOR GENERAL EXPORT AND C-E(1-PHASE)					1	

WIRING DIAGRAM (2)

No.	Supply Code	Parts No.	Replacement	Parts name	Remarks	Choice	Step	Level	Cons	Qty	Rep. QTY
1		40105116		IO1 CN82 CORD ASSY						1	
2		40105117		IO1 CN83 CN84 CORD ASSY						1	
3		40105163		K ORG SENSOR ASSY						1	
4		40105145		UPPER ORUD SENSOR ASSY						1	
5		40105146		LOWER ORUD SENSOR ASSY						1	
6		40105147		UPPER ORKI SENSOR ASSY						1	
7		40105148		LOWER ORKI SENSOR ASSY						1	
8		HD00057000A		SENSOR						1	
9		40105149		UPPER TABLE SENSOR ASSY						1	
10		40105150		LOWER TABLE SENSOR ASSY						1	
11		40105136		IO1 CN87 CORD ASSY						1	
12		40105137		IO1 CN88 CORD ASSY						1	
13		40105138		IO1 CN89 CORD ASSY						1	
14		40105118		IO3 CN82 CORD ASSY						1	
15		40105127		X-Y SENSOR CORD ASSY						1	
16		40105130		AIR SWITCH CORD ASSY						1	
17		40105119		IO3 CN86 CORD ASSY						1	
18		HA004290000		SWITCH						2	
19		40105151		Y ORG SENSOR ASSY						1	
20		40105152		Y1 SENSOR ASSY						1	
21		40105153		Y2 SENSOR ASSY						1	
22		40105154		X ORG SENSOR ASSY						1	
23		40105155		X1 SENSOR ASSY						1	
24		40088208		FILTER REGULATOR ASSY						1	
25		40105161		UPPER BIG CLAMP SENSOR ASSY						1	
26		40105162		LOWER BIG CLAMP SENSOR ASSY						1	
27		40105139		IO3 CN87 CORD ASSY						1	
28		40105144		IO3 CN88 CORD ASSY						1	
29		40105140		IO3 CN89 CORD ASSY						1	
30		40105166		LED MARKING ASSY	OPTIONAL PARTS					4	
31		40105123		IO2 CN82 CORD ASSY						1	
32		40105129		IO2 CN83 CORD ASSY						1	
33		40105120		IO2 CN84 CORD ASSY						1	
34		40105156		DRIVE AWAY ORG SENSOR ASSY						1	
35		40105157		DRIVE AWAY END SENSOR ASSY						1	
36		40105158		STACKER FULL SENSOR ASSY						1	
37		40105165		THB SENSOR ASSY						1	
38		HD00057000A		SENSOR						1	
39		40105159		STACKER BEHIND SENSOR ASSY						1	
40		40105160		STACKER FRONT SENSOR ASSY						1	
41		40105141		IO2 CN87 CORD ASSY						1	
42		40105142		IO2 CN88 CORD ASSY						1	
43		40105143		IO2 CN89 CORD ASSY						1	
44		40105164		TRM ORG SENSOR ASSY						1	

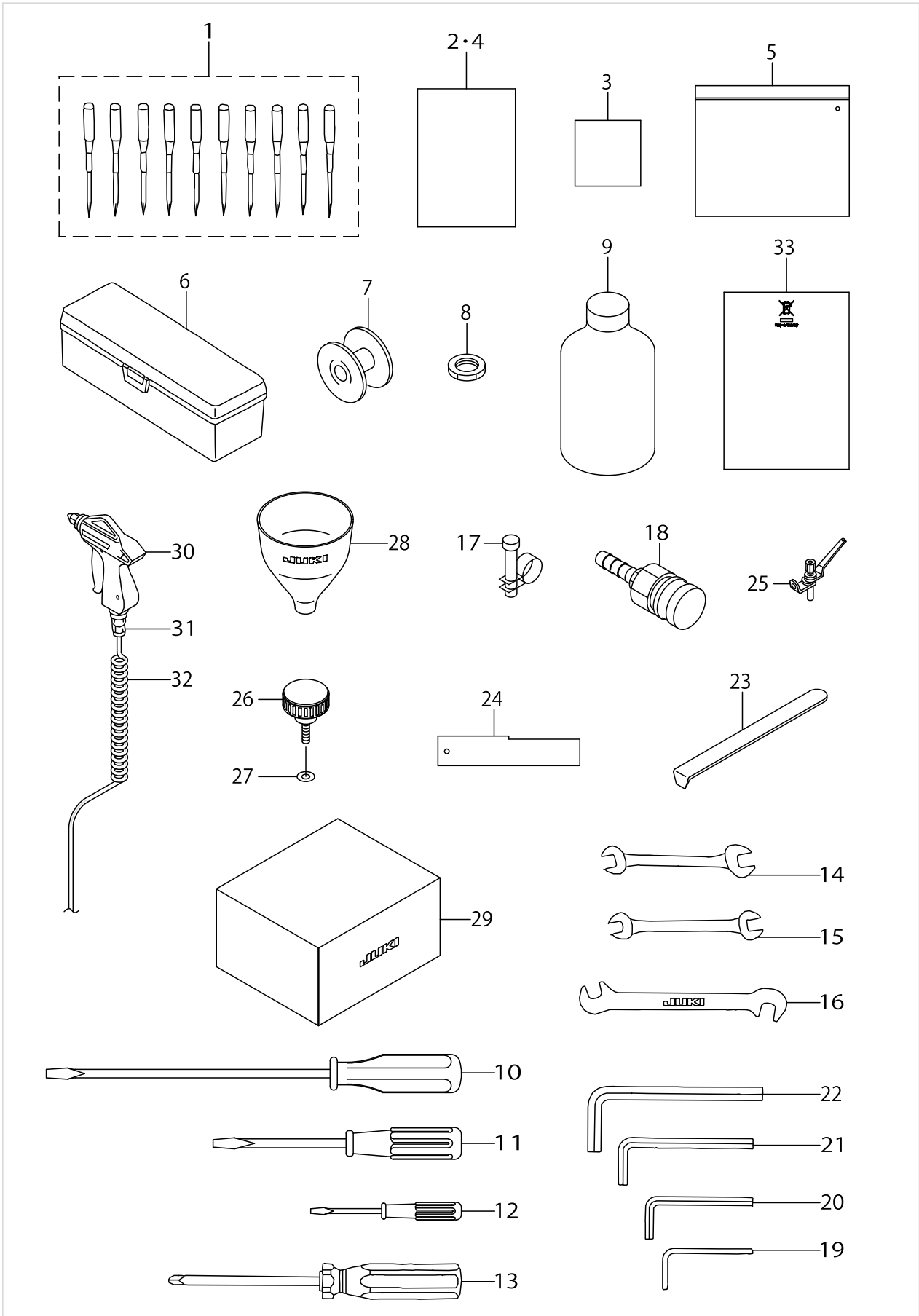
THREAD STAND COMPONENTS



THREAD STAND COMPONENTS

No.	Supply Code	Parts No.	Replacement	Parts name	Remarks	Choice	Step	Level	Cons	Qty	Rep. QTY
1	R	26910653	40111352	THREAD STAND ASM.						1	1.00
2	R	22931109	40085791	SPOOL RETAINER				*		2	1.00
3	R	22931000	40085790	SPOOL PIN				*		2	1.00
4		22930903		SPOOL REST CUSHION				*		2	
5		22930804		SPOOL REST				*		2	
6		SM6061610SC		SCREW M6 L=16				*		2	
7	R	22930705	40096354	THREAD GUIDE ARM JOINT				*		2	1.00
8		22931406		SPOOL REST ROD RUBBER CAP				*		1	
9	R	22930507	40096354	SPOOL REST ARM				*		1	1.00
10	R	22930408	40096354	SPOOL REST ROD, UPPER				*		1	1.00
11	R	22931307	40096354	SPOOL REST ROD JOINT				*		1	1.00
12		SM4051405SE		SCREW M5 L=14				*		2	
13		NM6050001SE		NUT M5				*		2	
14	R	22930309	40096354	SPOOL REST ROD, LOWER				*		1	1.00
15	R	22930556	40096354	THREAD STANDING ARM ASM.				*		1	1.00
16		WS0510002KN		SPRING WASHER				*		2	
17		NM6050001SE		NUT M5				*		2	
18		NM6160511SE		NUT M16X1.5				*		2	
19		WP1612616SE		WASHER 16X30X2.6				*		2	
20	R	WS1643202KR	WP1612616SE	SPRING WASHER		A		*		1	2.00
20	R	WS1643202KR	40085796	SPRING WASHER		A		*		1	2.00
21	R	13168208	26910059	THREAD GUIDE ARM BASE				*		1	1.00
22		NM6040002SE		NUT M4X0.7				*		2	
23		SM4042001SC		SCREW M4 X 20				*		1	
24		SM4041201SC		SCREW M4 L=12				*		1	
25		26910604		THREAD GUIDE B				*		1	

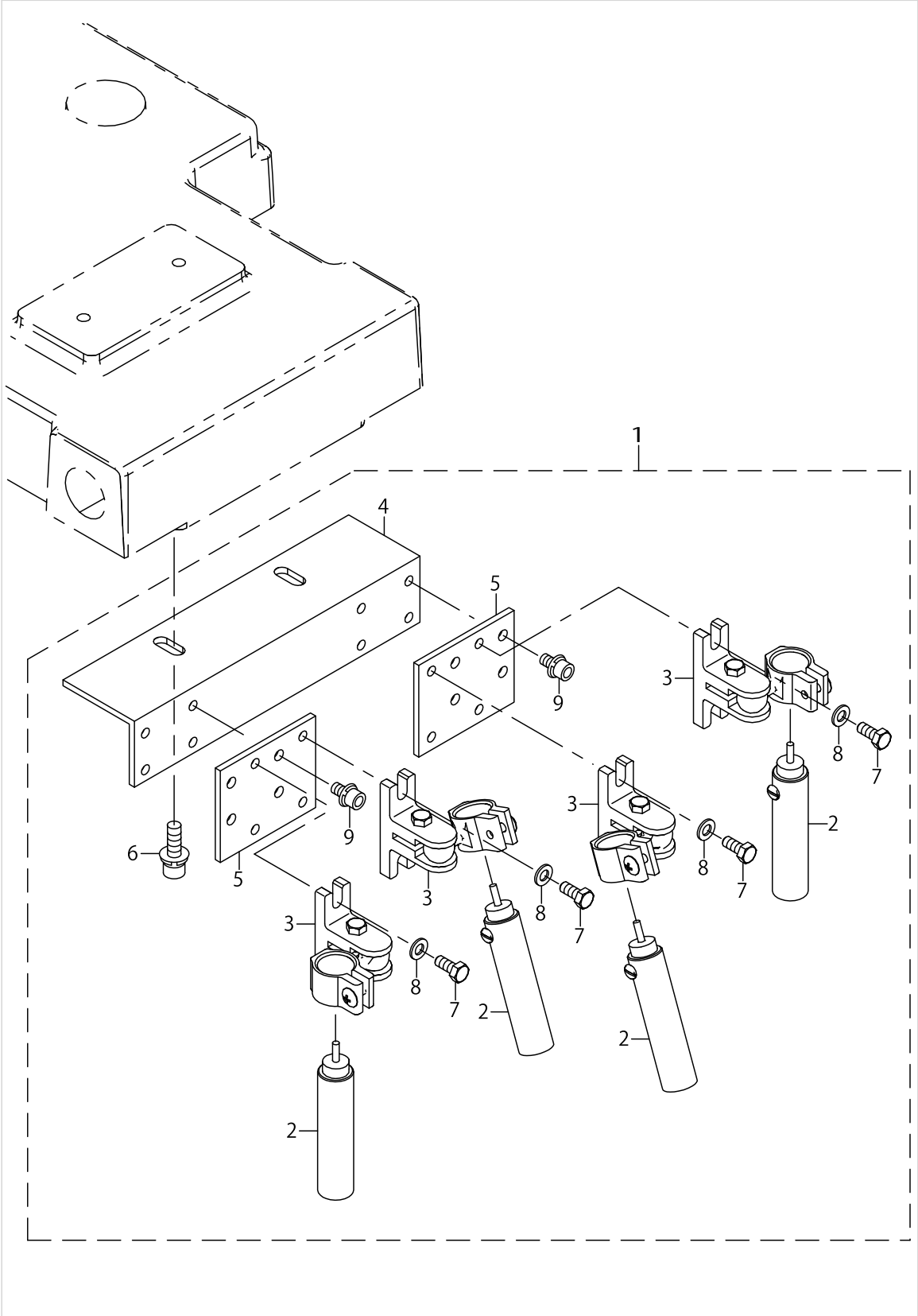
ACCESSORIES COMPONENTS



ACCESSORIES COMPONENTS

No.	Supply Code	Parts No.	Replacement	Parts name	Remarks	Choice	Step	Level	Cons	Qty	Rep. QTY
1	R	MC20053130T	MC200531300	NEEDLE (SCHMETZ 134 SERV 7) #130-10						1	1.00
2		40116683		AP-876 PARTS LIST						1	
3		40116684		AP-876 INSTRUCTION CD						1	
4		40116685		AP-876 SAFETY INSTRUCTION						1	
5		22932800		ACCESSORIE BAG						1	
6		B8601WP10A0		TOOL BOX ASM.						1	
7		G1817875000		BOBBIN						3	
8		NM6160511SE		NUT M16X1.5 TYPE1						1	
9		MDFRX1600C0		DEFRIX OIL NO.1 (600CC)						2	
10		22933006		SCREW DRIVER						1	
11		22933105		SCREW DRIVER						1	
12		22933204		SCREW DRIVER						1	
13		J1071000000		CROSS SCREW DRIVER 2						1	
14		D9103555D00		WRENCH 6X7						2	
15		B9110804000		WRENCH (8X9)						1	
16		B9109804000		WRENCH (5X6)						1	
17		PB000010000		HOSE BAND						1	
18		PJ309520001		HIGH COUPLER SOCKET						1	
19		B9141372000		HEXAGONAL WRENCH						1	
20		B9140372000		HEXAGONAL WRENCH						1	
21		GCT02906000		HEXAGONAL SPANNER						1	
22		B9142372000		HEXAGONAL WRENCH (7.1X8.1)						1	
23		B9101490000		DRIVER						1	
24		G9101875000		HOOK TIMING GAUGE						1	
25		D1113126WA0		NEEDLE THREAD GUIDE PIN ASM.						1	
26		G6007875000		FOLDING UNIT INSTALLING KNOB						2	
27		WP0550836SC		WASHER 5.5X12X0.8						2	
28		13160601		FUNNEL						1	
29		40055297		HEAD COVER						1	
30		40044823		AIR GUN						1	
31		PJ301065201		HALF UNION 6XPT1/4						1	
32		GSS36020000		COIL TUBE						1	
33		CM600100201		WEEE INFORMATION SHEET	FOR CE					1	

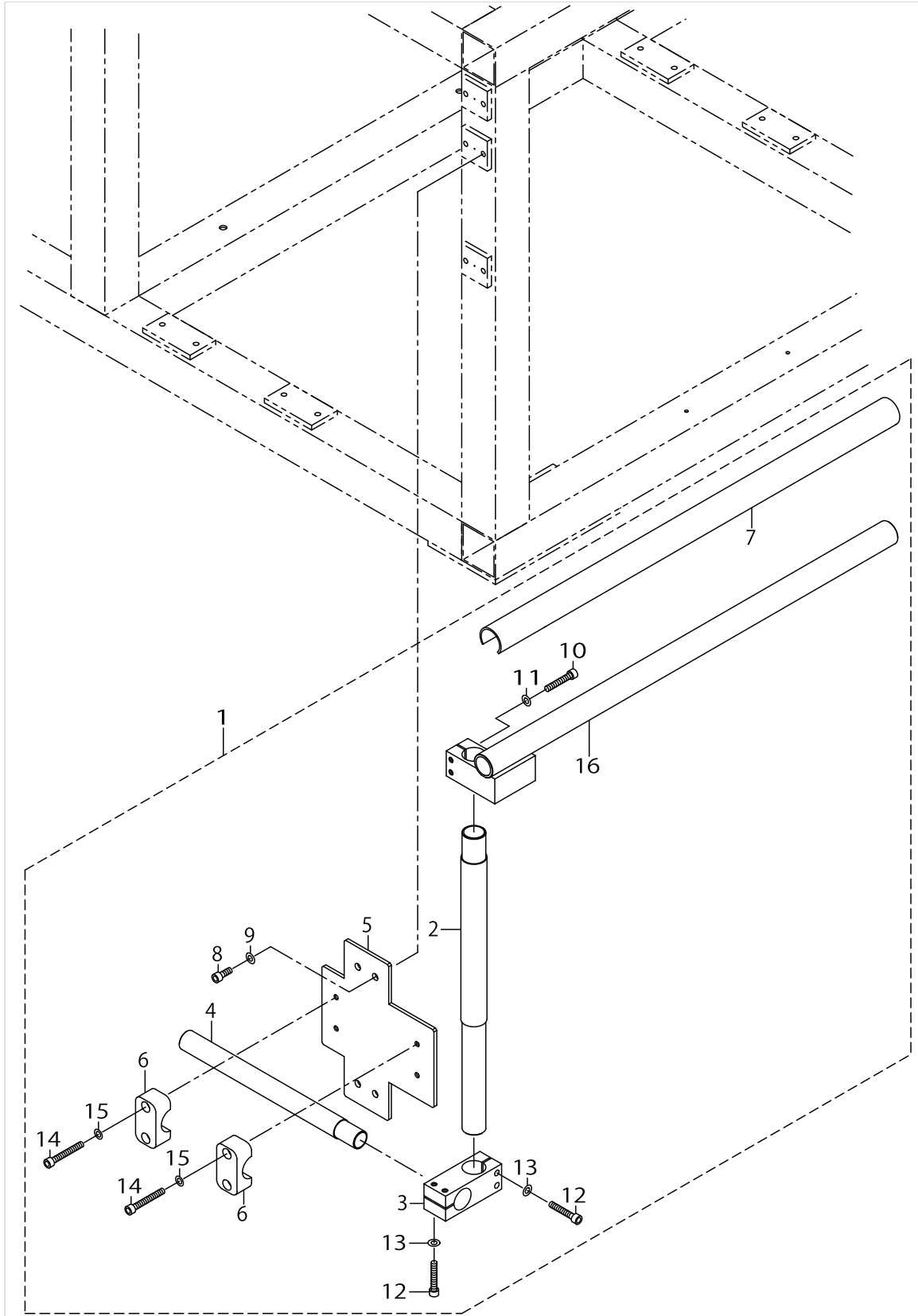
MARKING LIGHT COMPONENTS (OPTION)



MARKING LIGHT COMPONENTS (OPTION)

No.	Supply Code	Parts No.	Replacement	Parts name	Remarks	Choice	Step	Level	Cons	Qty	Rep. QTY
1		40116756		PH=MARKER						1	
2		40105166		LED MARKING ASSY				*		4	
3	R	HE000550010	40056503	LAMP				*		4	1.00
4		40119303		MARKING LIGHT SUPPORT PLATE				*		1	
5		40119293		MARKING LIGHT PLATE				*		2	
6		SL6062092TN		SCREW M6 L=20				*		2	
7		SM9051203SE		SCREW M5X0.8 L=12				*		8	
8		WP0531000SE		WASHER				*		8	
9		SL6051092TN		SCREW M5 L=10				*		8	

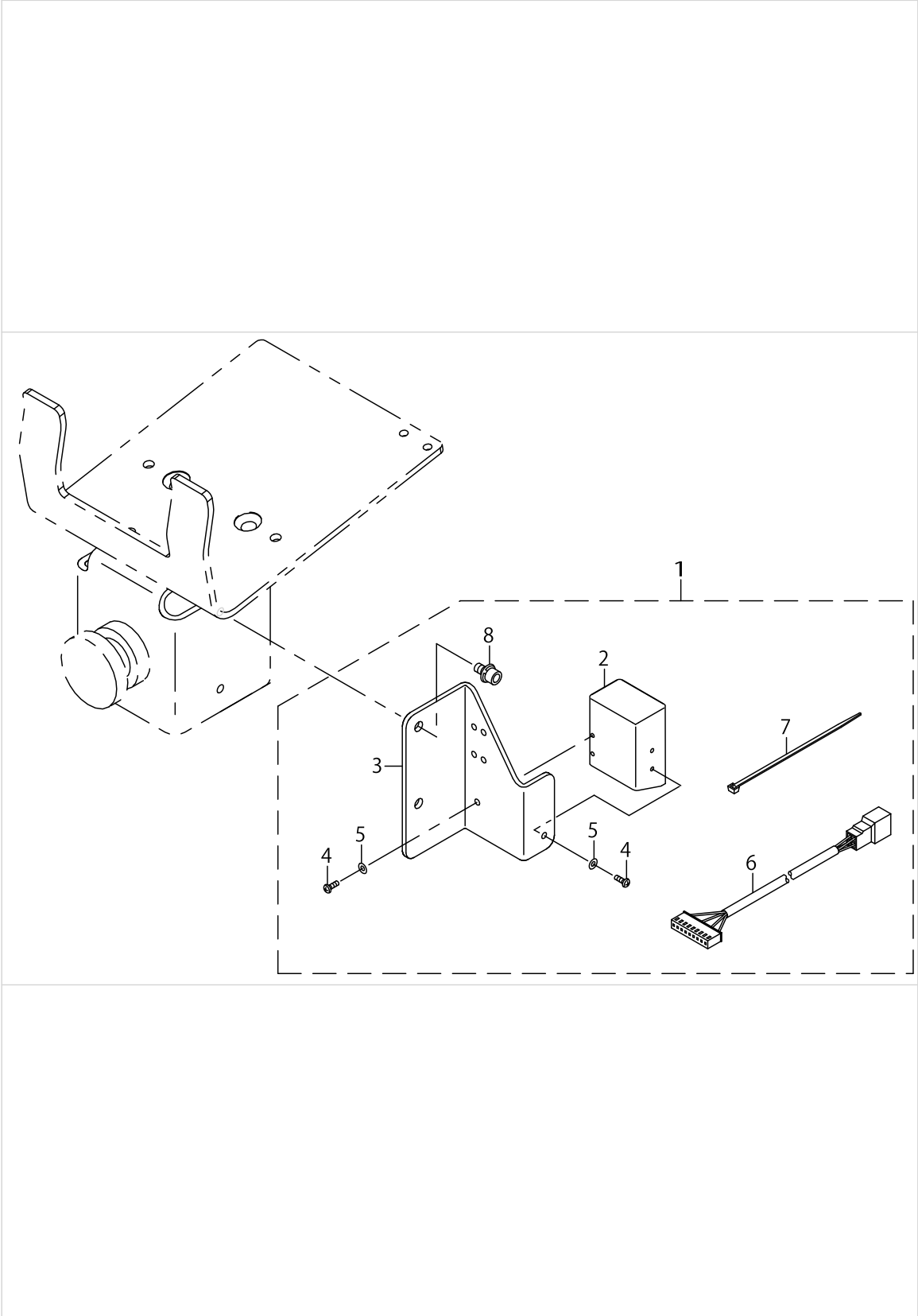
GARMENT PUT BASE COMPONENTS (OPTION)



GARMENT PUT BASE COMPONENTS (OPTION)

No.	Supply Code	Parts No.	Replacement	Parts name	Remarks	Choice	Step	Level	Cons	Qty	Rep. QTY
1		G90118750B0		GARMENT PUT BASE ASM.						1	
2		G9013875000		GARMENT PUT BASE STRUT A				*		1	
3		G9014875000		GARMENT PUT BASE COUPLING				*		1	
4		G9015875000		GARMENT PUT BASE STRUT B				*		1	
5		G9016875000		GARMENT PUT BASE FITTING BASE				*		1	
6		G9017875000		PIPE CLAMP				*		4	
7		G9018875000		GARMENT PUT BASE RUBBER				*		1	
8		SM6061602TN		SCREW M6 L=16				*		4	
9		WP0641601SC		WASHER				*		4	
10	R	SM6063502TN	SM6063502TP	HEXAGONAL-HOLE BOLT M6 L=35				*		2	1.00
11		WP0641601SC		WASHER				*		2	
12	R	SM6063502TN	SM6063502TP	HEXAGONAL-HOLE BOLT M6 L=35				*		4	1.00
13		WP0641601SC		WASHER				*		4	
14		SM6064502TP		SCREW M6 L=45				*		4	
15		WP0641600SC		WASHEW6.4X12.5X1.6				*		4	
16		G90118750A0		GARMENT PUT BASE PIPE COMPL.				*		1	

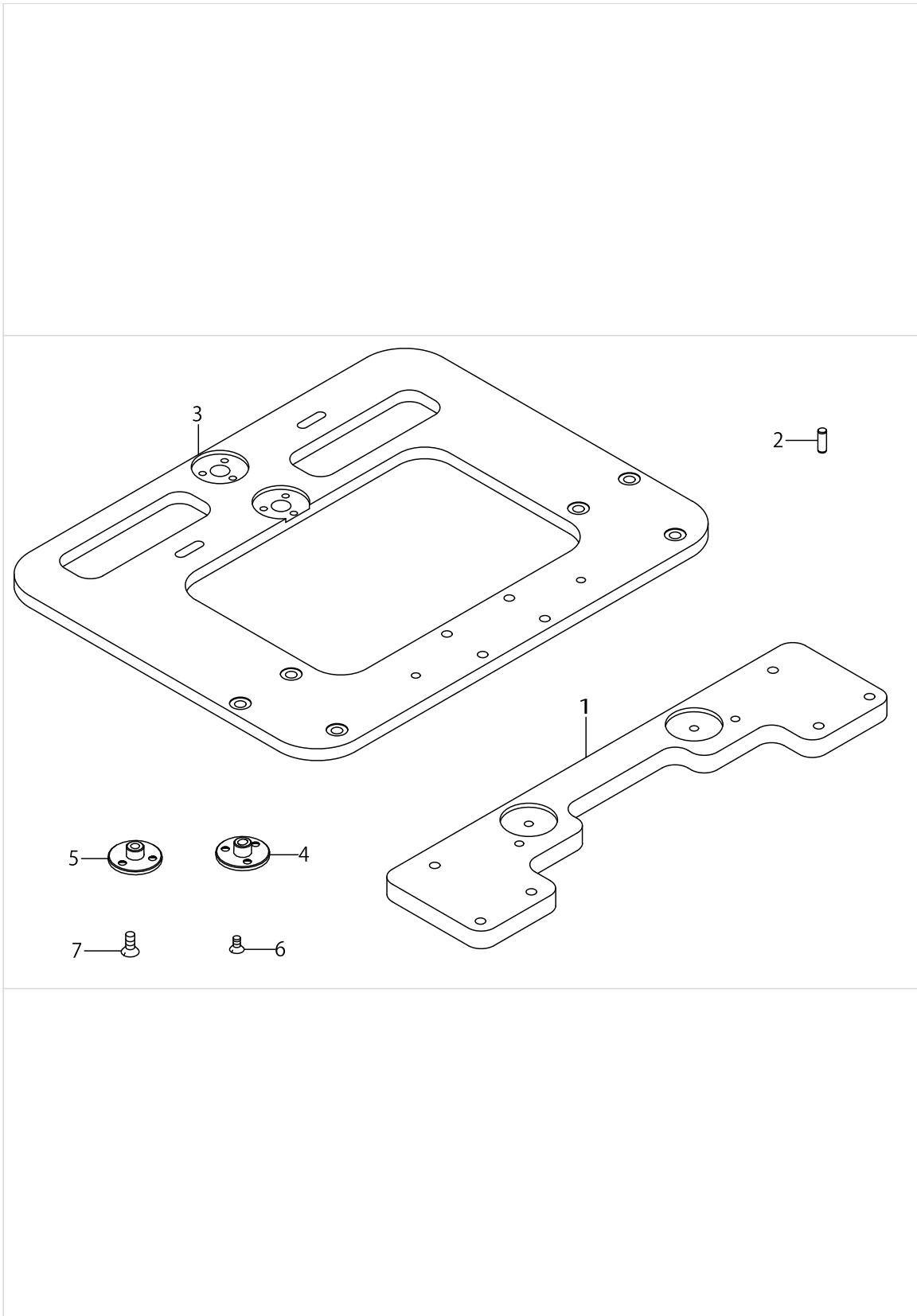
BAR CODE READER (OPTION)



BAR CODE READER (OPTION)

No.	Supply Code	Parts No.	Replacement	Parts name	Remarks	Choice	Step	Level	Cons	Qty	Rep. QTY
1		40119168		PH=BARCODE READER						1	
2		40089237		BAR CODE READER ASSY				*		1	
3	R	40089027	40164964	BAR CODE READER BRACKET				*		1	1.00
4		SM4020601SC		SCREW M2 L=6				*		2	
5		WP0220301SC		WASHER M2				*		2	
6		40105095		BAR CODE READER CABLE B ASSY				*		1	
7		EA9500B0100		CABLE BAND				*		2	
8		SL6040892TN		SCREW M4 L=8				*		2	

GAUGE EXCHANGE KIT



GAUGE EXCHANGE KIT

No.	Supply Code	Parts No.	Replacement	Parts name	Remarks	Choice	Step	Level	Cons	Qty	Rep. QTY
1		40125822		GAUGE_FITTING_PLATE_A						1	
2		G6017875000		GAUGE PIN						2	
3		40125823		GAUGE_FITTING_PLATE_B						1	
4		G6028875000		GAUGE PIN						1	
5		G6029875000		GAUGE PIN						1	
6		SM1040801SC		SCREW M4X0.7 L=8						6	
7		SM1051201SC		SCREW M5X0.8 L=12						6	

LIST FOR INFORMATION OF CHANGE (1)

As to the place changed, refer to the corresponding Rev.No.
 When previous parts(Obsoleted part)and new parts(Added parts)are
 not interchangeable with each other:
 In this case,even obsoleted parts(D.)can be ordered with the
 obsoleted part number,so select the parts with changed dates and
 place your orders.

変更箇所は、該当Rev.No.版をご参照ください。
 部品の互換性がない変更の場合は、削除された品番でも、ご注文できます。

40116683
 No.1592-01 Rev.No.

*A:Added parts追加部品/D:Obsoleted parts削除部品/E:Erratum訂正

* Rev. No.	Page 頁	Ref. No.	Parts No. 品番	* Rev. No.	Page 頁	Ref. No.	Parts No. 品番
D 00	2	11	139-22208	A 01	2	11	400-63697
D 00	2	12	SS-4120615-SP	A 01	2	12	229-21001
D 00	2	50	110-73954	A 01	2	50	229-63458
				A 01	2	53	139-22208
				A 01	2	54	SS-4120615-SP
D 00	6	6	110-042J5	A 01	6	6	110-04207
D 00	8	47	110-17068	A 01	8	47	229-18064
D 00	8	48	B1905-541-A00	A 01	8	48	229-18403
D 00	8	49	B1905-541-B00	A 01	8	49	229-18502
D 00	8	50	B1905-541-C00	A 01	8	50	229-18601
D 00	8	51	B1905-541-D00	A 01	8	51	229-18700
D 00	8	52	110-91600	A 01	8	52	401-09126
D 00	8	54	B1903-552-000	A 01	8	54	229-18304
				A 01	12	34	400-14007
				A 01	14	45	WP-0961046-SC
				A 01	18	49	D2405-415-D0L
				A 01	28	47	WP-0531001-SC
				A 01	28	48	NM-6050001-SC
D 00	30	16	SM-0041001-SC				
				A 01	30	16	SM-0040801-SC
				A 01	30	54	401-22535
				A 01	30	55	WP-0611626-SP
				A 01	30	56	SL-6051492-TN
D 00	40	29	SM-6082002-TN	A 01	40	29	SL-6062092-TN
				A 01	40	50	401-22534
				A 01	40	51	WP-0531001-SC
				A 01	40	52	SM-6053502-TN
				A 01	40	53	400-40252
				A 01	40	54	SM-6052502-TN
				A 01	40	55	401-16760
				A 01	40	56	401-21920
				A 01	40	57	SM-6081602-TN
				A 01	40	58	WP-0841601-SC
				A 01	40	59	SM-6103502-TP
				A 01	40	60	WP-1052001-SC
				A 01	40	61	SM-6067552-TP

HOW TO MAKE USE OF THIS PARTS LIST

1.Explanation of codes

1)"*"mark.....means this part is changed from the previous parts book.

As to the details of the change, refer to the "List for information of change".

2)"#01".....refer to "Note" explanation at bottom of page.

2.Codes on the "Qty" column

- Each numeral indicates the number of parts required.
- "0.1" and "2.5" indicate the length (in meters) of the respective parts.

3.Parentheses mean that the corresponding part is a subpart that constructs an assembly part.

4.Dotted lines on the Figures indicate assembly parts.

5.As to the parts with marks of "☆"(consumable parts) and "◎"(optional parts)on the respective parts, it is recommended to prepare spares.

1 ."注記"欄の記号説明

1) "*"印.....前回のパーツブックに比較して今回変更された部品を意味します。

変更内容は、"変更情報リスト"を参照してください。

2) "#01".....ページ下の"注記"の説明を参照してください。

2.数量欄の数字は、個数を表し、0.1、2.5等の数値は、長さ（単位メートル）を表します。

3.数量欄の（ ）は、組部品を構成している子部品であることを意味します。

4.イラストページの-----枠は、組構成であることを意味します。

5.リストページの"☆"（消耗部品）、"◎"（オプション部品）の印がついた部品は、予備を準備しておくことをお奨めします。

NUMERICAL INDEX OF PARTS

PART NO	PAGE	REF NO.	PART NO	PAGE	REF NO.	PART NO	PAGE	REF NO.
10126803	32	58	13730304	10	8	22918700	12	48~51
10502300	78	8	13751607	30	14	22921001	2	12
11004207	8	6	13765201	30	45	22921605	20	10
11273505	24	16	13765607	30	31	22924906	34	4
11409257	24	6	13765706	30	3	22925002	34	3
11409604	24	8	13765805	30	4	22925101	32	51
11409802	24	7	13765904	30	1	22930309	104	14
11528809	58	59	13766407	30	17	22930408	104	10
11911203	22	12	13766506	30	18	22930507	104	9
13160601	106	28	13766605	30	20	22930556	104	15
13168208	104	21	13767405	30	22	22930705	104	7
13170105	36	8	13767603	30	15	22930804	104	5
13301908	28	3	13870258	78	3	22930903	104	4
13301908	38	21	13870258	98	24	22931000	104	3
13302500	28	4	13889951	78	17	22931109	104	2
13302500	38	20	13920509	2	16	22931307	82	59
13705207	2	15	13920608	10	41	22931307	104	11
13707500	6	38	13922208	4	53	22931406	104	8
13714407	12	53	13922901	6	19	22932800	106	5
13714704	10	37	13924501	10	13	22933006	106	10
13714803	10	35	13924600	10	34	22933105	106	11
13715404	10	2	13925102	10	38	22933204	106	12
13715503	10	3	13940804	30	10	22950000	24	28
13715701	10	27	13940903	32	57	22950356	24	41
13715909	10	32	13941307	30	27	22950950	22	18
13716006	10	31	13941604	30	43	22963458	4	50
13716105	14	34	13941653	30	42	23517501	28	19~22
13716303	14	12	13941802	32	47	23517600	28	19~22
13716808	16	50	14208409	18	15	23517709	28	19~22
13716907	16	49	17845009	94	30	23517808	28	19~22
13717004	14	32	22507701	10	42	23604309	6	42
13717400	14	36	22687701	50	81	25023300	68	21
13718705	10	19	22798607	20	41	26023408	56	22
13718754	10	18	22902506	18	5	26211904	2	26
13718804	10	20	22903108	6	9	26212209	2	36
13718903	10	16	22903157	6	5	26910604	104	25
13719000	10	10	22907505	18	12	26910653	104	1
13719000	14	25	22907554	18	11	40000046	94	19·40
13719109	12	56~60	22907604	18	13	40000046	98	35·36
13719208	12	56~60	22916506	22	17	40005393	94	34
13719307	12	56~60	22918064	12	47	40005393	98	32·33
13719406	12	56~60	22918304	12	54	40005394	96	35
13719505	12	56~60	22918403	12	48~51	40005394	98	34
13719802	2	13	22918502	12	48~51	40005401	94	23
13728506	30	28	22918601	12	48~51	40005401	100	51

NUMERICAL INDEX OF PARTS

PART NO	PAGE	REF NO.	PART NO	PAGE	REF NO.	PART NO	PAGE	REF NO.
40005404	96	44	40055297	106	29	40091335	100	39~43
40005706	94	27	40055355	94	4	40093183	36	39
40006515	6	39	40055356	94	5	40105004	94	1~3
40006516	6	35	40055357	94	6	40105005	94	1~3
40006625	20	38	40058397	100	47·48	40105006	94	1~3
40009095	16	51	40058398	100	47·48	40105020	92	1
40009236	56	26	40063697	2	11	40105020	98	13
40010443	28	33	40071944	28	7	40105030	94	15
40010477	20	26	40071944	64	1	40105030	98	21
40010478	20	9	40071944	98	1	40105058	98	19
40010509	20	2	40072028	22	28	40105068	98	20
40010511	20	4	40072166	50	62	40105069	68	24
40010512	20	32	40072228	28	15	40105070	60	18
40010513	20	6	40073679	98	14	40105071	60	26
40010514	20	7	40074011	80	15	40105072	56	9
40010515	20	8	40075985	2	20	40105073	56	10
40010521	20	11	40075985	42	26	40105074	80	19
40010522	20	12	40077991	64	22	40105075	80	43
40010523	20	13	40078113	28	14	40105076	82	52
40011758	64	42	40078163	92	2	40105078	96	36
40014007	18	34	40078168	92	9	40105078	98	31
40016908	20	23	40080799	92	3	40105088	100	44·45
40016908	98	28	40080800	92	4	40105089	100	44·45
40016911	20	34	40082736	96	37	40105090	98	18
40023624	28	16	40082736	98	30	40105092	100	57
40023635	56	16	40082758	94	17	40105095	112	6
40023644	56	15	40082758	100	52	40105098	48	18
40031485	100	50	40083666	92	7	40105098	98	4
40032219	64	13	40083668	92	6	40105099	48	15
40032229	56	18	40083960	92	10	40105099	98	2
40035024	92	16	40085820	56	19	40105100	98	6
40035137	64	34	40085830	56	32	40105101	98	5
40035143	80	36	40086465	96	41	40105104	98	10
40035314	64	37	40086465	98	37·38	40105105	98	9
40039896	80	28	40086466	94	32	40105106	98	12
40040252	62	53	40086466	100	37·38	40105107	98	11
40040256	28	18	40086541	92	5	40105108	100	54
40044823	106	30	40088163	20	24	40105109	100	53
40051320	96	19·40	40088208	76	54	40105110	98	15
40051320	98	35·36	40088208	102	24	40105112	98	16
40052937	6	23	40089027	112	3	40105114	98	17
40052937	100	55	40089237	112	2	40105116	102	1
40055174	14	9	40090589	96	53	40105117	102	2
40055175	14	15	40090589	98	32·33	40105118	102	14
40055176	14	10	40091335	38	12~16	40105119	102	17

NUMERICAL INDEX OF PARTS

PART NO	PAGE	REF NO.	PART NO	PAGE	REF NO.	PART NO	PAGE	REF NO.
40105120	102	33	40105167	38	44	40116075	54	8
40105121	98	25	40105168	98	29	40116076	54	10
40105122	98	8	40105169	50	92	40116077	54	19
40105123	102	31	40109126	12	52	40116078	54	21
40105124	98	7	40115898	38	19	40116079	54	22
40105127	102	15	40115899	46	2	40116080	56	1
40105129	102	32	40116033	36	1	40116081	56	3
40105130	102	16	40116034	6	29	40116082	56	24
40105132	98	23	40116036	28	1	40116083	56	29
40105133	98	22	40116037	28	2	40116085	56	31
40105134	98	27	40116038	28	11	40116086	56	33
40105135	98	26	40116039	24	40	40116087	56	36
40105136	102	11	40116040	24	26	40116088	58	60
40105137	102	12	40116041	28	25	40116090	60	1
40105138	102	13	40116042	28	29	40116091	60	5
40105139	102	27	40116044	46	1	40116092	60	7
40105140	102	29	40116045	46	3	40116093	60	9
40105141	102	41	40116046	46	5	40116094	60	11
40105142	102	42	40116047	46	7	40116095	60	14
40105143	102	43	40116048	46	12	40116096	60	21
40105144	102	28	40116049	48	1	40116097	60	22
40105145	102	4	40116050	48	4	40116098	60	27
40105146	102	5	40116051	48	9	40116099	60	31
40105147	102	6	40116053	48	23	40116100	60	45
40105148	102	7	40116054	48	28	40116101	68	1
40105149	102	9	40116055	48	32	40116102	68	22
40105150	102	10	40116056	48	38	40116103	68	33
40105151	102	19	40116057	48	39	40116104	70	49
40105152	102	20	40116058	48	42	40116165	72	1
40105153	102	21	40116059	48	46	40116172	36	20
40105154	102	22	40116060	50	48	40116175	38	23
40105155	102	23	40116061	50	50	40116176	38	24
40105156	102	34	40116062	50	54	40116177	42	19
40105157	102	35	40116063	50	55	40116178	80	1
40105158	102	36	40116064	50	57	40116179	80	3
40105159	102	39	40116065	50	61	40116180	80	5
40105160	102	40	40116066	50	65	40116181	80	7
40105161	102	25	40116067	50	66	40116182	80	11
40105162	102	26	40116068	50	70	40116183	80	13
40105163	102	3	40116069	50	79	40116184	80	14
40105164	102	44	40116070	50	83	40116185	80	17
40105165	20	15	40116071	50	85	40116186	80	21
40105165	102	37	40116072	54	2	40116187	80	23
40105166	102	30	40116073	54	4	40116188	80	29
40105166	108	2	40116074	54	6	40116189	80	37

NUMERICAL INDEX OF PARTS

PART NO	PAGE	REF NO.	PART NO	PAGE	REF NO.	PART NO	PAGE	REF NO.
40116190	80	41	40116246	26	47	40116464	84	2
40116191	82	47	40116247	28	35	40116465	84	4
40116192	82	49	40116248	28	39	40116466	84	6
40116193	82	51	40116249	32	59	40116467	84	9
40116194	82	57	40116250	32	60	40116468	84	12
40116195	82	58	40116251	2	18	40116469	84	13
40116196	82	62	40116257	34	18	40116470	84	15
40116197	82	74	40116261	60	43	40116471	84	16
40116198	82	76	40116401	42	1	40116472	84	18
40116199	82	77	40116402	42	3	40116473	84	20
40116200	82	78	40116403	42	6	40116474	84	22
40116201	82	79	40116404	42	8	40116475	84	23
40116202	80	24	40116405	42	10	40116476	84	25
40116205	74	1	40116406	42	12	40116477	84	27
40116206	74	3	40116407	42	14	40116478	84	29
40116207	74	6	40116408	42	17	40116480	84	34
40116208	74	44	40116409	42	22	40116481	84	37
40116209	74	42	40116410	42	24	40116482	84	39
40116210	76	52	40116411	42	28	40116483	84	42
40116211	76	62	40116412	42	31	40116484	86	46
40116212	76	64	40116413	42	33	40116485	86	47
40116213	76	66	40116415	42	38	40116486	86	49
40116214	36	18	40116416	42	40	40116487	86	54
40116215	38	31	40116417	42	42	40116488	86	55
40116216	38	37	40116418	42	44	40116489	88	8
40116217	38	8	40116419	42	46	40116490	88	9
40116218	38	17	40116420	44	48	40116491	90	2
40116219	36	24	40116421	44	50	40116518	80	35
40116220	36	37	40116422	44	52	40116519	80	33
40116229	2	25	40116429	64	4	40116545	84	1
40116230	2	29	40116430	64	6	40116546	88	1
40116231	2	31	40116431	64	7	40116547	90	1
40116232	6	25	40116432	64	11	40116548	36	2
40116233	6	1	40116433	64	15	40116683	106	2-4
40116234	6	44	40116435	64	20	40116684	106	3
40116235	6	30	40116436	64	24	40116685	106	2-4
40116236	10	1	40116437	64	29	40116756	108	1
40116238	20	1	40116438	64	30	40116760	62	55
40116239	20	3	40116439	64	38	40119074	42	36
40116240	20	20	40116440	64	43	40119168	112	1
40116241	20	21	40116441	64	45	40119293	108	5
40116242	20	29	40116442	66	47	40119303	108	4
40116243	20	31	40116443	66	49	40120989	82	85
40116244	20	40	40116444	66	56	40120990	82	83
40116245	20	43	40116445	66	58	40120991	80	38

NUMERICAL INDEX OF PARTS

PART NO	PAGE	REF NO.	PART NO	PAGE	REF NO.	PART NO	PAGE	REF NO.
40121701	86	65	B3570771000	30	44	CS1501171TP	48	43
40121702	86	66	B4004210D00	66	61	CS1501171TP	80	39
40121866	86	67	B4420373000	72	4	CS1601211TH	66	50
40121920	62	56	B8601WP10A0	106	6	CS1801211SH	60	24
40122534	62	50	B9101490000	106	23	D1113126WAO	106	25
40122535	44	54	B9109804000	106	16	D2405415D0L	26	49
40125822	114	1	B9110804000	106	15	D2419530D00	58	46
40125823	114	3	B9140372000	106	20	D3902481C00A	6	34
A1230500000A	6	33	B9141372000	106	19	D9103555D00	106	14
B1123205000	72	5	B9142372000	106	22	E2314715000	50	53
B1144210000	6	37	BT0400251EB	18	7	E9567319000	94	12
B1172581000A	36	7	BT0400251EB	22	30	EA9500B0100	32	54
B1211980000	6	16	BT0400251EB	76	61	EA9500B0100	54	16
B1212210D00	6	32	BT0400251EB	82	68	EA9500B0100	58	69
B1213552000A	6	2	BT0400251EB	86	58	EA9500B0100	62	66
B1214038000	30	24	BT0500300EA	30	55	EA9500B0100	82	73
B1215552000	6	4	BT0500300EA	32	55	EA9500B0100	112	7
B1220771000	6	15	BT0500300EG	30	36	EA9500B0200	54	17
B1226552000	6	3	BT0500300EG	34	1	G1015192000	38	39
B13061550A0	8	1	BT0600401EB	76	60	G1016192000	38	38
B13071550A0	8	2	BT0600401EB	82	69	G1111875000	2	4
B13081550A0	22	20	BT0800501EB	76	59	G1112875000	2	7
B1410771000	10	5	CM300100004	96	47	G1113875000	2	1
B1414232000	10	7	CM300100401	96	49	G1116875000	2	10
B1432761000	16	52	CM300200001	2	23	G1117875000	2	5
B1432761000	56	27	CM300200001	18	31	G1118875000	2	8
B1504051000	18	16	CM300200003	58	62	G1119875000	2	2
B1504210000	56	6	CM300400601	96	48	G1135870000	2	38
B1611220000	18	14	CM600100101	92	14	G1206875000	6	11
B1618804000	24	31	CM600100101	96	43	G1211870000	22	16
B1632180000	84	44	CM600100201	106	33	G12128700A0	6	13
B1802180000	48	40	CQ202000000	30	34	G1216870000	6	22
B1850512000	32	48	CQ252000000	2	44	G1216870000	48	41
B2006372000	14	37	CQ3000000F0	10	44	G1220870000A	6	21
B2504221D00	50	68	CQ3000000F0	30	35	G1301875000	8	5
B2505221D00	50	77	CQ303000000	30	33	G1302875000	8	3
B255728000A	24	17	CS0640611SP	78	5	G1303870000	22	15
B2703210000	20	17	CS079073ASH	22	21	G1401875000	10	40
B3118352000	30	46	CS0800971TP	64	9	G14058750A0	10	11
B3212761000	78	7	CS1000881TP	64	8	G1415875000	10	26
B3502210000	2	42	CS1401014SP	10	24	G14158750A0	10	25
B3508220000	32	64	CS1401014SP	14	39	G1416875000	10	28
B3509220000	2	43	CS140101ASP	10	22	G1421875000	14	1
B3534155000	30	23	CS140101ASP	14	38	G1422875000	14	20
B3541012000	30	32	CS150101ATH	6	17	G1423875000	14	21

NUMERICAL INDEX OF PARTS

PART NO	PAGE	REF NO.	PART NO	PAGE	REF NO.	PART NO	PAGE	REF NO.
G1424875000	14	7	G3216270000	78	10	G6019870000	88	5
G1426875000	14	17	G3513870000	34	6	G6023870000	60	15
G1427875000	14	27	G3514870000	34	5	G6028870000	60	16
G1428875000	14	29	G3515870000	34	2	G6028875000	60	33
G1429875000	14	41	G3516875000	32	52	G6028875000	114	4
G1430875000	14	42	G3517875000	30	26	G6029875000	60	34
G1431875000	14	13	G35178750A0	30	25	G6029875000	114	5
G1601875000	18	2	G3519870000	34	20	G6031870000	86	48
G16018750A0	18	1	G3520870000	34	16	G6040870000	60	17
G1603875000	18	18	G3522870000	30	12	G6108870000	66	63
G1604875000	18	21	G3526870000	34	12	G6110875000	88	2
G1605870000	18	24	G3527870000	34	13	G6111870000	88	7
G1606875000	18	22	G3528870000	34	14	G6112875000	90	3
G1610870000	18	26	G3528875000	34	7	G6113875000	90	4-16
G1611870000	18	23	G3529870000	34	15	G611387500A	90	4-16
G1801875000	22	1	G3529875000	34	8	G6114875000	88	6
G1802875000	22	3	G3531875000	30	8	G6115875000	88	3
G18028750A0	22	2	G35328750A0	2	41	G6116875000	88	4
G1803875000	22	4	G5006870000	46	17	G6118870000	80	46
G1804870000	22	31	G5026162000	36	22	G6119875000A	90	11
G1805870000	22	32	G5030171000	46	16	G61198750A0	90	10
G18068700B0	22	33	G5171136000	72	32	G6120875000A	90	14
G1808870000	22	6	G5176136000	72	34	G61208750A0	90	13
G1810870000	22	8	G5344172000	72	10	G6122875000	90	12
G18118700A0	22	9	G5345172000	72	9	G6202875000	68	3
G1813870000	22	11	G5453161000	54	18	G6203875000	68	7
G18138700A0	22	10	G5454161000	38	46	G6204875000	68	11
G18168750A0	22	7	G5501875000	56	39	G6205875000	68	14
G1817875000	22	26	G5502875000	56	40	G6206875000	50	88
G1817875000	106	7	G5503875000	56	41	G6206875000	54	1
G19028750A0	12	46	G5504875000	56	42	G6206875000	68	16
G2313870000	20	16	G5511875000	58	54	G6207875000A	68	17
G2406870000	24	25	G5523880000	66	54	G6208875000A	68	19
G2408870000	24	27	G5611341000	82	67	G6210875000	68	31
G2409875000	24	4	G6007875000	106	26	G6211875000	68	20
G24098750A0	24	3	G6008875000	60	41	G6213875000	68	36
G2410870000	24	5	G6010870000	60	36	G6214875000	68	39
G2415875000	24	44	G6012870000	66	64	G62158750A0	68	41
G2416875000	24	45	G6014870000	66	65	G62528750A0	72	17
G2417875000	24	46	G6014880000	86	50	G6253875000	72	28
G2418875000	24	12	G6015875000	86	51	G6505880000	14	6
G2419875000	24	13	G60168700A0	66	66	G7515870000	36	29
G2420875000	24	14	G6016875000	86	52	G7521870000	36	34
G2421875000	24	38	G6017875000	84	5	G7524870000	36	26
G2422875000	24	15	G6017875000	114	2	G7524870000	82	54

NUMERICAL INDEX OF PARTS

PART NO	PAGE	REF NO.	PART NO	PAGE	REF NO.	PART NO	PAGE	REF NO.
G7525870000	36	25	HA006280030	38	12~16	MC200531300	10	45
G8010875000	38	26	HA006280030	100	39~43	MC20053130T	106	1
G8011870000	36	10	HD00057000A	28	31	MDFRX1600C0	106	9
G8012870000	36	11	HD00057000A	66	60	NM3040520SC	94	26
G8013875000	38	1	HD00057000A	102	38	NM6020001SC	20	33
G8014875000	38	3	HD002780000	28	9	NM6030001SC	20	37
G8018875000	36	30	HD002780000	64	2	NM6030001SC	72	16
G8031875000	78	2	HD002780000	98	3	NM6040001SC	68	10
G80318750A0	78	1	HE000550010	108	3	NM6040001SC	72	22
G80328750A0	78	16	HM000550010	72	19	NM6040001SC	90	7
G8033875000	78	9	HW002180200	92	15	NM6040001SP	28	23
G8113875000	36	16	HX00013000C	36	43	NM6040002SE	104	22
G90118750A0	110	16	HX000550000	72	31	NM6050001SC	38	48
G90118750B0	110	1	HX001500000	62	64	NM6050001SC	40	48
G9013875000	110	2	HX00150000C	54	14	NM6050001SC	68	45
G9014875000	110	3	HX00150000C	58	66	NM6050001SC	72	26
G9015875000	110	4	HX00150000C	86	61	NM6050001SE	82	61
G9016875000	110	5	HX00150000D	82	71	NM6050001SE	104	17
G9017875000	110	6	HX00150000E	62	48	NM6050003SC	32	62
G9018875000	110	7	HX00150000E	82	70	NM6060001SC	2	28
G9101875000	106	24	HX00150000E	86	62	NM6060001SC	36	33
GAC01002A00	48	8	HX00150000F	78	15	NM6060001SC	38	43
GAC01002A00	64	27	HX00150000G	58	67	NM6060001SC	48	37
GAK01003B00	58	55	HX00150000H	86	63	NM6060001SC	58	57
GAK33032000	82	81	HX00150000M	62	47	NM6060001SC	62	63
GCT02906000	106	21	HX002330000	86	60	NM6060001SC	72	8
GLA02302000	58	58	HX003140000	76	47~49	NM6080001SC	36	42
GMC10004000	72	12	HX00314000A	76	47~49	NM6080001SC	68	32
GMC100050A0	72	11	HX00314000B	76	47~49	NM6080001SC	94	13
GMC10007000	72	13	HX00326000K	94	11	NM6100001SC	82	75
GMC16005000	72	33	HX003390000	74	10	NM6160511SE	104	18
GSS36020000	106	32	HX003390000	94	21	NM6160511SE	106	8
HA00006000C	38	10·11	HX00354000B	92	12	NM6260810SC	80	20
HA00006000C	100	56	HX004070000	94	29	NS6090310SP	2	37
HA004290000	38	2	HX004120000	36	44	NS6090310SP	32	50
HA004290000	102	18	HX005110000	96	38	NS6110350SP	2	39
HA004290010	38	10·11	J1071000000	106	13	NS6110360SP	88	18
HA005820000	36	45	KM000000480	94	24	NS6110420SP	16	54
HA005820000	100	46	KM000000510	72	3	NS6110420SP	30	6
HA006280000	38	12~16	KM000000510	100	49	NS6110420SP	78	4
HA006280000	100	39~43	KX000000320	94	33	NS6150310SP	10	6
HA006280010	38	12~16	KX000000330	96	52	NS6150310SP	14	48
HA006280010	100	39~43	M3801476000	94	9	NS6150310SP	16	48
HA006280020	38	12~16	M4206461000	94	14	NS6150430SP	24	30
HA006280020	100	39~43	M90295800A0	96	50	NS6150430SP	56	28

NUMERICAL INDEX OF PARTS

PART NO	PAGE	REF NO.	PART NO	PAGE	REF NO.	PART NO	PAGE	REF NO.
PA1001013A0	24	34	PJ304060502	74	35	SB108000500	50	82
PA1501010A0	14	2	PJ304065101	68	26	SB108000500	64	18
PA1502008A0	84	31	PJ304065101	74	46	SB110001300	64	17
PA1601515A0	68	46	PJ304065101	76	46	SB110002400	28	27
PA1602014A0	84	41	PJ304065201	74	30	SB112000100	48	20
PA200051100	64	32	PJ305040001	56	63	SB130000200	50	72
PA2001004A0	58	50	PJ305040001	58	63	SB130000300	50	73
PA200201000	18	3	PJ305060004	74	14	SB616000100	66	55
PA200201100	72	23	PJ308040002	22	34	SD0500166TP	84	36
PA250500300	68	25	PJ308040002	86	59	SD0500204TP	24	1
PA900016000	82	84	PJ308060003	68	28	SD0500231TP	24	9
PA900060000	80	45	PJ308060003	74	13	SD0600181TP	24	18
PB000010000	106	17	PJ308060004	74	50	SD0600403TP	24	32
PC012401000	56	12	PJ308060004	76	50	SD0640391TP	24	19
PC012601000	68	27	PJ308080003	76	51	SD0640752TP	24	24
PC015106000	60	30	PJ308080004	76	57	SD0800327TP	28	24
PC015106000	82	65	PJ308085202	76	56	SD0800402TP	14	33
PC015108000	64	33	PJ309520001	106	18	SL4020591SC	28	10
PC015108000	82	64	PJ401000300	60	39	SL4020591SC	64	12
PC015203000	60	20	PJ401000400	86	57	SL4030681SC	92	11
PC0205010A0	74	20	PS0200052KH	90	15	SL4030881SC	92	13
PC022403E00	26	48	PS0400142KH	6	31	SL4030891SC	48	19
PJ020500001	34	22	PV130600100	74	37	SL4030891SC	74	38
PJ032052503	34	21	PV150213000	74	24	SL4031091SC	74	67
PJ032052503	58	51	PV150214000	74	28	SL4031091SC	76	67
PJ032052503	84	33	PV150215000	74	33	SL4031291SC	28	32
PJ046052503	18	27	PV205101000	74	17	SL4033091SC	96	46
PJ046052503	84	43	PX050501000	74	41	SL4040881SC	74	11
PJ230004300	64	40	PX055104000	74	32	SL4040881SC	94	54
PJ301040502	70	48	RC3781518KP	80	12	SL4040881SC	96	54
PJ301060503	74	39	RE0300000K0	56	17	SL4040891SC	62	65
PJ301065103	74	19	RE0320000K0	56	8	SL4040891SC	72	18
PJ301065201	74	31	RE0600000K0	14	35	SL4040891SC	94	51
PJ301065201	106	31	RE0700000K0	64	36	SL4040891SC	96	51
PJ303040002	58	65	RE0900000KP	20	39	SL4041081SC	36	23
PJ303040002	82	66	RO029180100	6	27	SL4041081SC	38	45
PJ303060001	76	58	RO036080200	30	5	SL4041091SC	38	18
PJ304040504	14	3	RO044240100	6	10	SL4041091SC	58	68
PJ304040504	18	33	RO055200100	28	38	SL4041091SC	62	49
PJ304040504	24	35	RO098190100	30	2	SL4041091SC	74	65
PJ304040504	34	10	RO098240100	14	28	SL4041091SC	76	65
PJ304040504	56	11	RO133170100	20	14	SL4041091SC	78	19
PJ304040504	72	27	RO148240200	6	45	SL4041091SC	82	72
PJ304040504	74	22	RO154240100	6	41	SL4041091SC	86	64
PJ304040505	74	40	RO195240100	22	13	SL4041091SC	94	42

NUMERICAL INDEX OF PARTS

PART NO	PAGE	REF NO.	PART NO	PAGE	REF NO.	PART NO	PAGE	REF NO.
SL4041091SC	96	42	SL6052592TN	6	24	SM1051201SC	42	21
SL4042091SC	58	64	SL6052592TN	92	17	SM1051201SC	84	3
SL4042091SC	74	15	SL6061042TN	80	53	SM1051201SC	114	7
SL4043091SC	56	14	SL6061042TN	82	53	SM1051452TN	56	25
SL4043091SC	74	45	SL6061292TN	42	9	SM1051601SC	38	27
SL4043591SC	94	25	SL6061292TN	66	57	SM1051601SC	88	13
SL4051091SC	2	19	SL6061492TN	36	38	SM1061401SE	82	63
SL4051091SC	74	21	SL6061492TN	42	34	SM1061601SC	68	23
SL4051091SC	78	14	SL6061492TN	72	2	SM1061652TP	60	32
SL4052591SC	74	18	SL6061492TN	74	53	SM1062052TP	38	40
SL6030692TN	84	56	SL6061492TN	76	53	SM4020601SC	112	4
SL6030692TN	86	56	SL6061492TN	80	22	SM4031001SC	54	13
SL6032092TN	20	35	SL6061492TN	84	26	SM4040801SN	60	40
SL6040892TN	20	30	SL6062092TN	54	3	SM4041201SC	104	24
SL6040892TN	54	20	SL6062092TN	56	4	SM4042001SC	104	23
SL6040892TN	64	35	SL6062092TN	60	29	SM4050801SC	76	55
SL6040892TN	84	53	SL6062092TN	64	67	SM4051001SN	18	25
SL6040892TN	86	53	SL6062092TN	66	67	SM4051001SN	82	60
SL6040892TN	112	8	SL6062092TN	108	6	SM4051405SE	104	12
SL6041092TN	2	22	SL6062592TN	56	2	SM4061255SP	2	27
SL6041092TN	38	9	SL6063042TN	72	6	SM5051400SC	84	32
SL6041092TN	64	39	SL6063092TN	38	22	SM6030802TN	66	59
SL6041092TN	84	35	SL6063092TN	56	5	SM6031010SC	28	13
SL6041292TN	42	27	SL6063592TN	50	67	SM6031202TP	22	5
SL6041292TN	52	93	SL6064092TN	44	53	SM6040602TP	50	89
SL6041292TN	54	15	SL6082092TN	80	16	SM6040650TP	28	28
SL6041292TN	58	61	SL6083092TN	94	10	SM6040650TP	48	21
SL6041292TN	64	23	SM0040801SC	2	21	SM6040802TN	66	62
SL6041292TN	84	38	SM0040801SC	42	16	SM6040802TP	24	43
SL6041492TN	42	47	SM0040801SC	48	27	SM6040802TP	28	34
SL6041492TN	44	47	SM0041001SC	42	51	SM6040860TP	54	23
SL6041692TN	64	48	SM0041001SC	44	51	SM6041002TN	90	8
SL6041692TN	66	48	SM0050801SC	36	17	SM6041150TP	50	78
SL6042592TN	60	44	SM0050801SC	38	4	SM6041202TN	36	6
SL6051092TN	84	10	SM0081001SD	36	9	SM6041202TP	50	69
SL6051092TN	108	9	SM1030801SC	72	14	SM6041602TP	46	13
SL6051292TN	42	11	SM1040801SC	60	35	SM6041602TP	64	31
SL6051292TN	84	40	SM1040801SC	114	6	SM6042002TN	70	47
SL6051492TN	42	56	SM1040801SP	38	30	SM6042002TP	46	8
SL6051492TN	44	56	SM1041001SC	68	40	SM6051000SP	56	20
SL6051492TN	64	16	SM1041201SC	68	8	SM6051202TN	72	24
SL6051692TN	64	53	SM1041201SC	72	20	SM6051202TP	84	45
SL6051692TN	66	53	SM1041601SC	68	18	SM6051402TN	68	37
SL6052092TN	28	8	SM1041601SC	90	5	SM6051402TP	28	26
SL6052092TN	50	87	SM1051201SC	38	25	SM6051402TP	50	86

NUMERICAL INDEX OF PARTS

PART NO	PAGE	REF NO.	PART NO	PAGE	REF NO.	PART NO	PAGE	REF NO.
SM6051602TP	48	56	SM6082002TN	70	50	SS2111010TP	14	22
SM6051602TP	50	56	SM6082002TP	60	19	SS2111010TP	24	42
SM6051802TP	56	30	SM6082002TP	80	25	SS4080620TP	24	11
SM6052010SC	28	36	SM6082502TN	56	43	SS4110515SP	32	56
SM6052502TN	62	54	SM6082502TP	80	50	SS4110715SP	14	4
SM6052502TN	68	42	SM6082502TP	82	50	SS4111215SP	2	45
SM6052502TN	72	29	SM6083002TP	64	41	SS4120615SP	2	54
SM6052502TP	18	4	SM6086002TN	36	40	SS4120615SP	4	54
SM6052502TP	50	63	SM6088502TP	80	30	SS4120615SP	30	65
SM6053002TN	58	52	SM6103502TP	62	59	SS4120615SP	32	65
SM6053002TN	64	28	SM6104502TP	36	3	SS4120915SP	14	43
SM6053002TP	48	58	SM6105502TN	60	2	SS4121215SP	2	52
SM6053002TP	50	58	SM6123002TN	60	6	SS4121215SP	4	52
SM6053502TN	58	47	SM8030412TP	20	27	SS4121215SP	8	4
SM6053502TN	62	52	SM8040310SS	6	40	SS4121215SP	22	22
SM6061202TN	60	37	SM8050412TP	6	46	SS4121415SP	18	20
SM6061202TN	66	68	SM8050412TP	50	71	SS4121615SP	78	11
SM6061402TN	60	42	SM8050502TP	28	37	SS4151415SP	20	44
SM6061402TN	64	25	SM8050592TP	28	30	SS6090420SP	88	10
SM6061602TN	56	34	SM8050602TP	64	10	SS6090670TP	10	14
SM6061602TN	68	15	SM8050812TP	50	80	SS6090670TP	24	33
SM6061602TN	110	8	SM8050812TP	56	23	SS6090910SP	32	49
SM6061602TP	36	12	SM8060602TP	80	40	SS6110480SP	88	19
SM6061602TP	48	6	SM8060802TP	48	52	SS6110610TP	24	22
SM6061610SC	104	6	SM8060802TP	50	52	SS6110610TP	34	9
SM6062002TN	88	14	SM8060812TP	6	43	SS6111052TP	20	22
SM6062502TN	36	14	SM8060812TP	28	17	SS6120620TP	32	63
SM6062502TN	38	34	SM8060812TP	48	51	SS6120940SP	30	16
SM6062502TN	56	37	SM8060812TP	50	51	SS6121050SP	24	23
SM6062502TN	68	29	SM8060812TP	60	46	SS6123010SP	18	32
SM6062502TP	48	33	SM8060812TP	62	46	SS6151412TP	2	32
SM6063002TP	28	5	SM8060812TP	66	52	SS6151612TP	6	26
SM6063002TP	48	5	SM8080812TP	80	34	SS7080510TP	10	43
SM6063502TN	36	35	SM9051203SE	108	7	SS7090530SP	10	39
SM6063502TN	82	55	SM9064053SE	48	35	SS7090710SP	24	36
SM6063502TN	110	12	SM9102003SB	46	18	SS7090850SP	20	18
SM6064002TN	60	12	SQ1110401MZ	34	11	SS7090920SP	14	19
SM6064002TP	60	10	SQ1110402MZ	6	28	SS7110350SP	30	19
SM6064002TP	64	44	SQ1110402MZ	30	13	SS7110510SP	34	19
SM6064502TP	110	14	SQ1110451MZ	32	53	SS7110710SP	10	21
SM6065002TP	36	31	SQ1120451MZ	30	30	SS7110710SP	24	2
SM6066052TP	80	8	SS1060210TP	24	20	SS7110840SP	78	18
SM6067552TP	62	61	SS1121010SP	24	39	SS7120710SP	34	17
SM6081602TN	62	57	SS2060210SP	24	10	SS7150740SP	30	21
SM6082002TN	68	50	SS2110920TP	88	11	SS7151210SP	10	30

NUMERICAL INDEX OF PARTS

PART NO	PAGE	REF NO.	PART NO	PAGE	REF NO.	PART NO	PAGE	REF NO.
SS7681650TP	6	8	WP0410846SC	88	15	WP0641601SC	80	10
SS8090530TP	78	6	WP0430801SC	48	90	WP0641601SC	88	17
SS8110422TP	10	33	WP0430801SC	50	90	WP0641601SC	110	13
SS8110422TP	14	16	WP0430801SC	68	9	WP0651646SC	72	7
SS8110520TP	22	19	WP0430801SC	72	21	WP0841600SC	56	44
SS8110750SP	22	23	WP0430801SC	90	9	WP0841600SC	82	82
SS8150410SP	14	40	WP0450801SD	46	14	WP0841601SC	62	58
SS8150410TP	10	23	WP0450801SP	88	16	WP0841601SC	64	21
SS8150510TP	10	29	WP0450826SC	18	30	WP0841601SC	68	51
SS8150760TP	20	19	WP0480856SP	4	49	WP0841601SC	70	51
SS8150822TP	6	20	WP0501046SC	72	35	WP0841601SC	96	39
SS8150822TP	10	36	WP0510516SD	18	10	WP0852086SC	36	41
SS8151230SP	12	55	WP0531000SC	32	61	WP0852086SC	80	32
SS8152030SP	14	47	WP0531000SD	48	64	WP0961046SC	20	45
SS8152030SP	16	47	WP0531000SD	50	64	WP1052000SC	46	19
SS8660512TP	14	30	WP0531000SD	56	21	WP1052001SC	36	5
SS8660530TP	6	18	WP0531000SE	108	8	WP1052001SC	60	60
SS8660610TP	6	6	WP0531001SC	4	51	WP1052001SC	62	60
SS8660610TP	22	24	WP0531001SC	38	47	WP1052001SC	82	86
SS8660612TP	10	15	WP0531001SC	40	47	WP1221016SP	82	80
SS8660612TP	60	25	WP0531001SC	48	59	WP1612616SE	104	19
SS8660612TP	66	51	WP0531001SC	50	59	WS0410002KN	50	76
SS8660810TP	6	14	WP0531001SC	58	48	WS0410002KP	46	15
SS8660810TP	18	19	WP0531001SC	62	51	WS0410002KP	50	91
SS8681650TP	6	7	WP0531001SC	68	43	WS0451040KP	18	29
SS9091010SP	18	17	WP0531001SC	72	30	WS0510002KN	50	60
SS9110513TP	14	31	WP0550836SC	106	27	WS0510002KN	58	53
SS9111010SP	18	28	WP0611626SP	44	55	WS0510002KN	68	44
SS9151630CP	14	18	WP0611626SP	48	30	WS0510002KN	104	16
SS9151910SN	22	25	WP0611626SP	68	13	WS0610002KN	38	41
TA0180401M0	30	7	WP0621016SD	22	27	WS0610002KN	80	9
TA0550604R0	10	17	WP0621016SH	24	29	WS0820002KN	58	45
TA0850604R0	2	46	WP0621026SP	16	53	WS0822010KP	80	26
TA1050504R0	2	33	WP0621036SP	62	62	WS0861410KR	80	31
TA1250406R0	4	48	WP0641600SC	36	36	WS1020002KN	36	4
TA1250406R0	18	9	WP0641600SC	56	38	WS1020002KN	46	20
TA1250406R0	22	14	WP0641600SC	82	56	WS1020002KN	60	4
TA1450404R0	4	47	WP0641600SC	110	15	WS1643202KR	104	20
TA1470704R0	2	40	WP0641601SC	28	6			
TA2101002R0	2	34	WP0641601SC	36	32			
TA2351004R0	2	35	WP0641601SC	38	42			
WP0220301SC	112	5	WP0641601SC	48	36			
WP0320501SC	20	36	WP0641601SC	58	56			
WP0320501SC	72	15	WP0641601SC	60	38			
WP0371036SD	88	20	WP0641601SC	68	30			