

MODEL : UT55,56,57

List No : 1607-02

# PARTS LIST

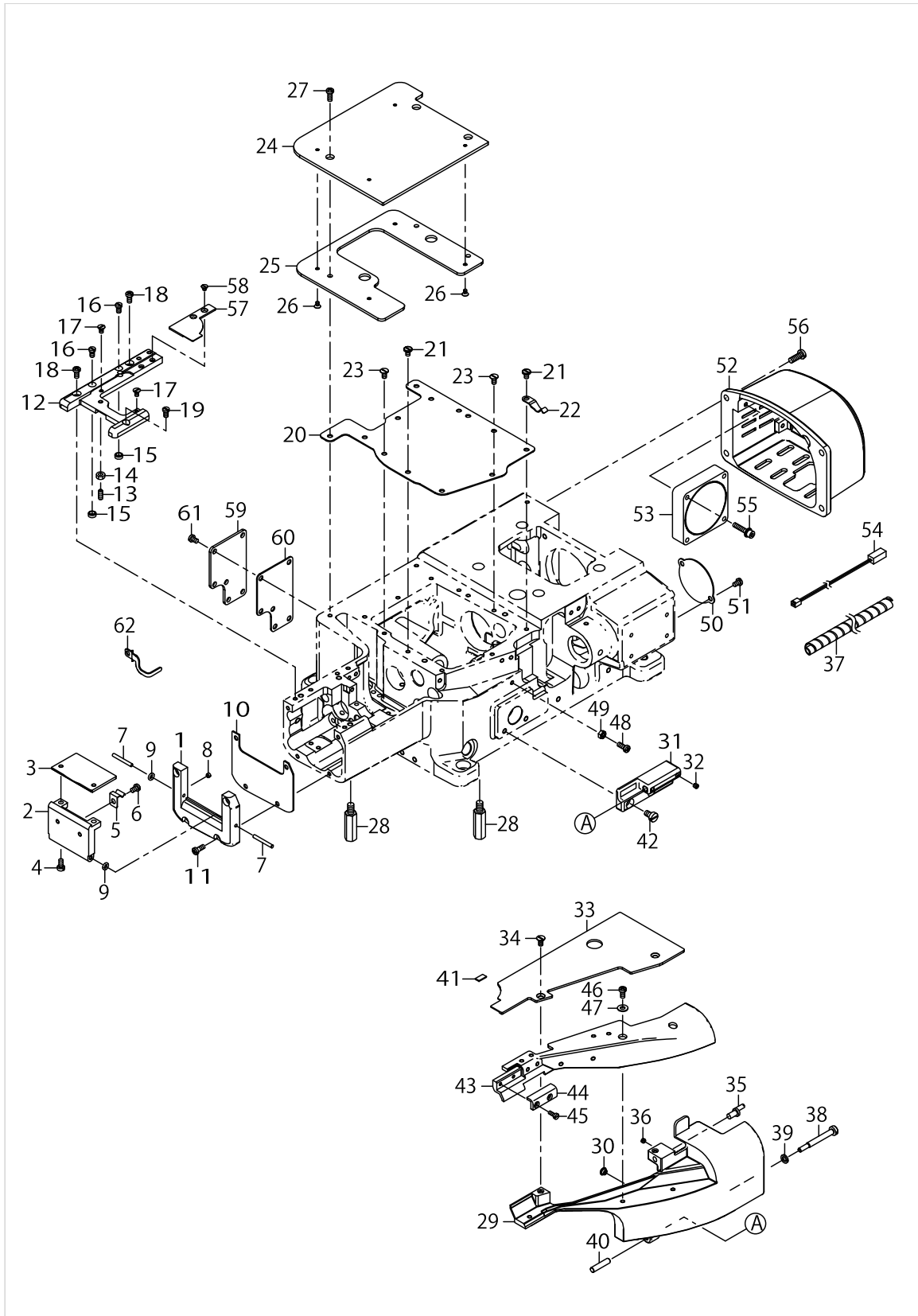
Published:05/12/2017

## CONTENTS

---

MISCELLANEOUS COVER COMPONENTS.....	1
LOWER SHAFT COMPONENTS.....	5
THREAD TENSION COMPONENTS .....	7
LOOPER THREAD TRIMMER COMPONENTS .....	9
PNEUMATIC DRIVE & PRESSER FEED LIFTER COMPONENTS .....	11
TOP COVER THREAD TRIMMER COMPONENTS (UT57,UT57A).....	15
NEEDLE THREAD WIPER COMPONENTS (UT55).....	17
ACCESSORIE PARTS COMPONENTS.....	19
HOW TO MAKE USE OF THIS PARTS LIST .....	21

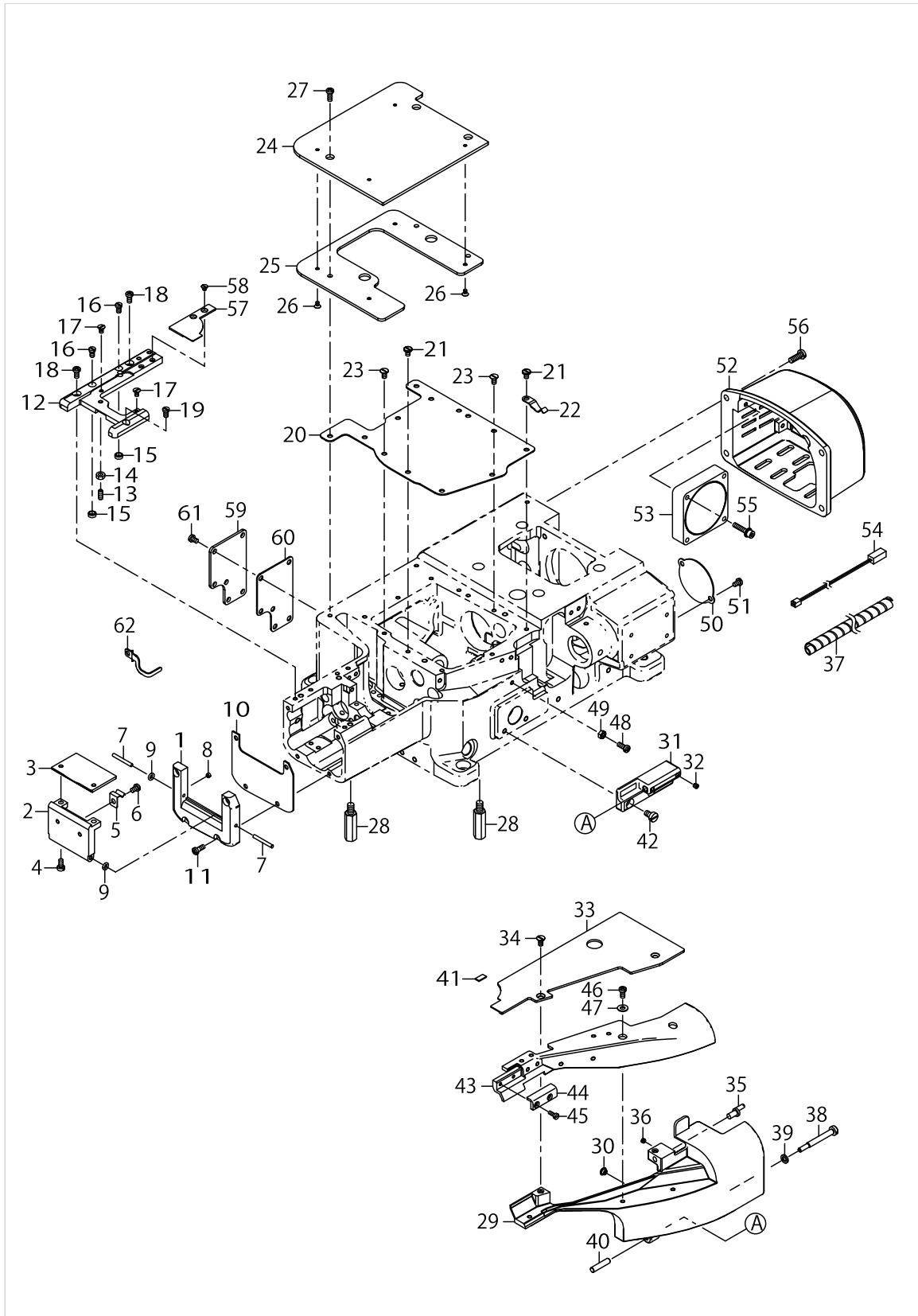
# MISCELLANEOUS COVER COMPONENTS



MISCELLANEOUS COVER COMPONENTS

No.	Supply Code	Parts No.	Replacement	Parts name	Remarks	Choice	Step	Level	Cons	Qty	Rep. QTY
1		70001657		CYLINDER_COVER						1	
2		70001655		SIDE_COVER_BOTTOM						1	
3		70001653		SIDE_COVER_UPPER						1	
4		SM6040800SP		SCREW						2	
5		13401906		LATCH SPRING 2						1	
6		SM4040655SP		SCREW M4 L=6						1	
7		PH0300252C0		PIN						2	
8		SM8040360TP		SCREW						2	
9		RO037180100		RUBBER RING						2	
10		70001661		GASKET						1	
11		SM4041055SP		SCREW						4	
12		70001667		THROAT_PLATE_SUPPORT						1	
13		SM8041012TP		SCREW M4 L=10						1	
14		NM6040000SN		NUT M4						1	
15		40082196		ADJUSTING_COLLAR						2	
16		SM6040750TP		SCREW M4 L=7						2	
17		13302203		SCREW						2	
18		SM4040855SP		SCREW						2	
19		SM6040750TP		SCREW M4 L=7						1	
20		70001663		GASKET_B						1	
21		SM6040800SP		SCREW						6	
22		13402003		LATCH SPRING						1	
23		SM1040860SP		SCREW						4	
24		70001668		CLOTH_PLATE_REAR						1	
25		70001670		CLOTH_PLATE_REAR_LOWER						1	
26		SM1030501SN		SCREW						2	
27		SM4041055SP		SCREW						3	
28		13301809		SUPPORT STUD						4	
29		70001650		SWING_DOWN_COVER						1	
30		13302302		RUBBER BUMPER						1	
31		70001648		HINGE						1	
32		SM8040412TP		SET SCREW M4 L=4						2	
33		70001671		CLOTH_PLATE_FRONT						1	
34		SM1040800SP		SCREW						2	
35		13402706		PIN FOR COVER						1	
36		SM8040360TP		SCREW						1	
37		HX00314000D		SPIRAL TUBE						.7	
38		70001414		SCREW						1	
39		WS0510002KP		SPRING WASHER 5.1X9.2X1.3						1	
40		13409800		DIFF_LINK_PIN						1	
41		13403605		RUBBER_PLATE						1	
42		SM6050800SP		SCREW M5 L=8						2	
43		70001652		BRACKET						1	
44		70001678		BRACKET						1	
45		SM6030800SP		SCREW M3X0.5 L=8						2	
46		SM4040855SP		SCREW						2	

# MISCELLANEOUS COVER COMPONENTS



MISCELLANEOUS COVER COMPONENTS

No.	Supply Code	Parts No.	Replacement	Parts name	Remarks	Choice	Step	Level	Cons	Qty	Rep. QTY
47		WP0450801SC		WASHER 4.5X10X0.8						2	
48		SM4041055SP		SCREW						1	
49		NM6040001SC		NUT M4X0.7 TYPE1						1	
50		70001673		LOOPER_THD_COVER						1	
51		SM4040655SP		SCREW M4 L=6						2	
52		70001413		MOTOR_COVER						1	
53		40119461		HEAD FAN MOTOR A ASSY						1	
54		70001457		FAN_CORD_ASSY						1	
55		SL6042092TN		SCREW M4 L=20						2	
56		SM4051455SP		SCREW M5 L=14						4	
57	R	70001645	13401401	THROAT_PLATE_SUPPORT_COVER						1	1.00
58		SM1030400SP		SCREW M3 L=4						2	
59		70001642		COVER_FOR_FEED_ADJUST						1	
60		70001643		COVER_FOR_FEED - ADJUST_PACKING						1	
61		SM4040855SP		SCREW						6	
62		70001484		FINGER_GUARD						1	

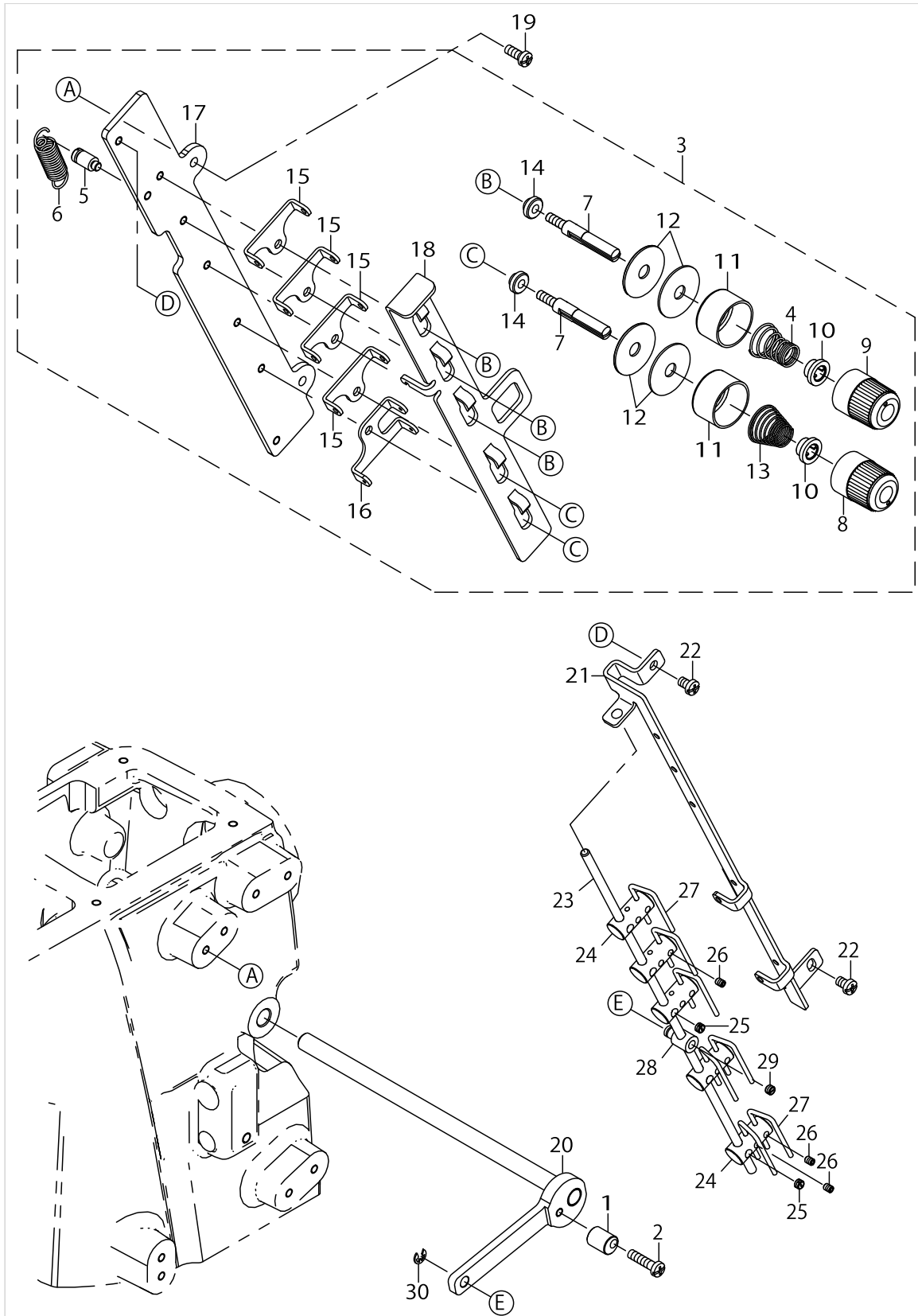


LOWER SHAFT COMPONENTS

No.	Supply Code	Parts No.	Replacement	Parts name	Remarks	Choice	Step	Level	Cons	Qty	Rep. QTY
1		13406905		TIMING_BELT						1	
2		13408406		BALANCE_WEIGHT_LMS_1						1	
3		SM8050612TP		SCREW M5X6						2	
4		13408505		BALANCE_WEIGHT_LMS_2						1	
5		SM8050612TP		SCREW M5X6						2	
6		40017824		LOOPER LOD STOPPER						2	
7		40112107		SPIDER						1	
8		SM8060552TP		SCREW M6 L=5						2	
9		SB115002300		BEARING						1	
10		70001692		LMS_RIGHT_ROD_ASSY						1	
11		70001684		LMS_RIGHT				*		1	
12		70001685		LOOPER_ROD				*		1	
13		SD0550906TP		SHOULDER SCREW				*		2	
14		13324108		SCREW				*		2	
15		70001686		CRANK				*		1	
16		70003278		LMS_WORM_ASSY						1	
17		13308507		COUPLING D				*		1	
18		SM8060552TP		SCREW M6 L=5				*		2	
19		SM8060842TP		SCREW M6 L=8				*		1	
20	R	70001458	70003278	BEARING				*		1	1.00
21		SM8050412TP		SCREW M5 L=4						1	
22		70001682		BUSHING_LMS_MIDDLE						1	
23		13408703		OIL_SEAL						1	
24		70001683		BUSHING_LMS_LEFT						1	
25		13407903		OIL SEAL						1	
26		13408604		FELT_LMS_LEFT_BUSH						1	
27		PS0300122KH		SPRING PIN 3X12						1	
28		CQ300000001		OIL WICK						.075	
29		40112106		HUB_R						1	
30		SM8050412TP		SCREW M5 L=4						4	
31		SM8060812TP		SCREW M6 L=8						1	
32		SM8060842TP		SCREW M6 L=8						1	
33		70004184		LMS_SPROCKET						1	
34		70001451		THRUST_PLATE						1	
35		SM4040655SP		SCREW M4 L=6						3	
36		40118009		SERVO MOTOR						1	
37		SL6052592TN		BOLT						4	
38		40112105		HUB_L						1	
39		SM8550952TP		SCREW						1	
40		70003317		FLY_WHEEL_FOR_DD						1	
41		SM6051002TP		SCREW M5X0.8 L=10						2	
42		70001681		LOWER_MAINSHAFT_LEFT						1	



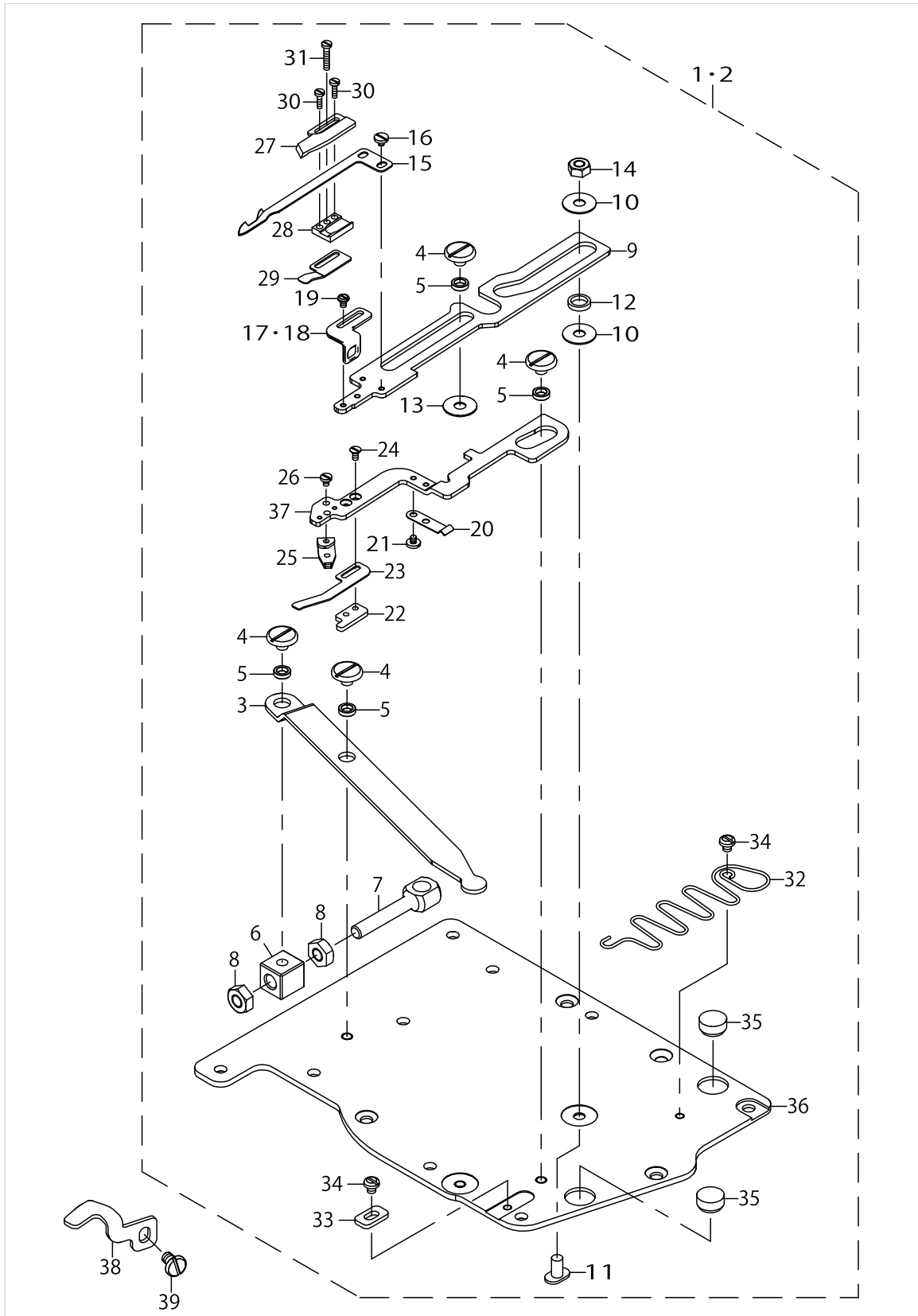
THREAD TENSION COMPONENTS



THREAD TENSION COMPONENTS

No.	Supply Code	Parts No.	Replacement	Parts name	Remarks	Choice	Step	Level	Cons	Qty	Rep. QTY
1		40065785		TENS_RELEASE_ADJ_ECC						1	
2		SM4041655SP		SCREW M4 L=16						1	
3		70001612		THREAD_TENSION_ASSY						1	
4		13140504		TENSION SPRING				*		3	
5		13340302		SHOULDER SCREW				*		1	
6	D	26019000		THREAD TENSION SPRING				*		1	
7		70001620		TENSION_POST				*		5	
8		40042363		KNOB				*		2	
9		40042364		KNOB GREEN				*		3	
10		40042365		SPRING BUSHING				*		5	
11		40042366		THREAD TENSION DISK PRESSER				*		5	
12		40101602		THREAD_TENSION_DISC				*		10	
13		40102003		SPRING				*		2	
14		70001617		SPACER				*		5	
15		70001615		TENSION_DISC_EYELET_A				*		4	
16		70001616		TENSION_DISC_EYELET_B				*		1	
17		70001613		TENSION_POST_SUPPORT				*		1	
18		70001614		TENSION_DISC_SEPARATOR				*		1	
19		SM4041055SP		SCREW						2	
20		70001618		PULL_OFF_LEVER_ASSY						1	
21		70001621		THREAD_GUIDE						1	
22		SM4040655SP		SCREW M4 L=6						2	
23		13456108		PULL_OFF_BAR						1	
24		13456207		THD_P_O_HOOK_GUIDE						5	
25		SM8040360TP		SCREW						5	
26		SM8030412TP		SCREW						7	
27		13456603		THD_PULL_OFF_HOOK						7	
28		13456405		THD_PULL_OFF_BAR_HOLDER						1	
29		SM8040360TP		SCREW						1	
30		RE0300000K0		E-RING 3						1	

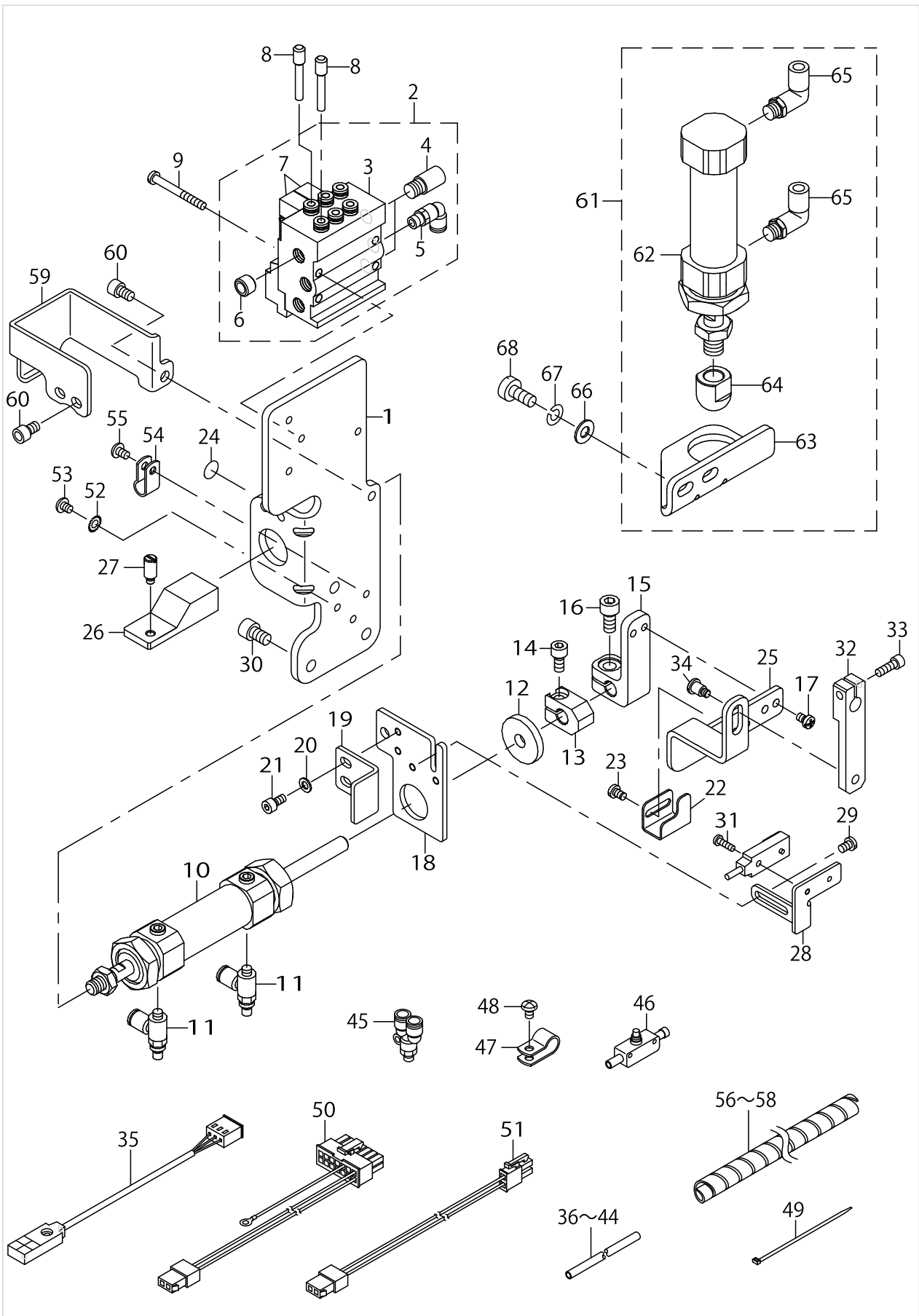
# LOOPER THREAD TRIMMER COMPONENTS



LOOPER THREAD TRIMMER COMPONENTS

No.	Supply Code	Parts No.	Replacement	Parts name	Remarks	Choice	Step	Level	Cons	Qty	Rep. QTY
1		70001802		UNDER_TRIMMER_ASSY						1	
2		70003424		UNDER_TRIMMER_ASSY_E11	FOR MF-7-900-E11/E22.E23					1	
3		40086294		LEVER				*		1	
4		40086303		SCREW_M4X0.5L4				*		4	
5		40086293		COLLAR_D6				*		4	
6		40086295		CONNECTING_BLOCK_A				*		1	
7		40086296		CONNECTING_BLOCK_B				*		1	
8		NM6050001SP		NUT M5				*		2	
9		40086275		LOWER_KNIFE HOLDER				*		1	
10		WP0420516KH		THRUST WASHER 4.2				*		2	
11		40070110		SCREW				*		1	
12		40086292		COLLAR_D8				*		1	
13		WP0431005SP		PLAIN WASHER 4.3X12X1				*		1	
14		NM6040001SP		NUT M4X0.7				*		1	
15		40086274		LOWER_KNIFE				*		1	
16		40086300		SCREW_M2L2.3				*		2	
17		70001800		THREAD_GUIDE				*		1	
18		70003362		THREAD_GUIDE	FOR MF-7-900-E11/E22.E23			*		1	
19		40086301		SCREW_M2L3				*		2	
20		40086286		GUIDE_SPRING				*		1	
21		40086300		SCREW_M2L2.3				*		2	
22		40086282		PLATE				*		1	
23		40086280		THREAD_CLAMP				*		1	
24		SM1020450TP		SCREW M2 L=4				*		2	
25		40086308		TENSION_LEVER				*		1	
26		SM6020350SP		SCREW M2 L=2.5				*		1	
27		40086277		UPPER_KNIFE				*		1	
28		40086278		LOWER_KNIFE_GUIDE				*		1	
29		40086279		KNIFE_SPRING				*		1	
30		40086298		SCREW_M1.6L6				*		2	
31		40086299		SCREW_M2L10				*		1	
32		13440409		SPRING_FOR_UT				*		1	
33		40086290		STOPPER				*		1	
34		40086302		SCREW_M3L3				*		2	
35		TA0980502R0		RUBBER PLUG				*		2	
36		70001662		COVER_PLATE				*		1	
37		70001801		KNIFE_GUIDE HOLDER				*		1	
38		70001799		GUIDE_BASE				*		1	
39		SM6040650TP		SCREW				*		1	

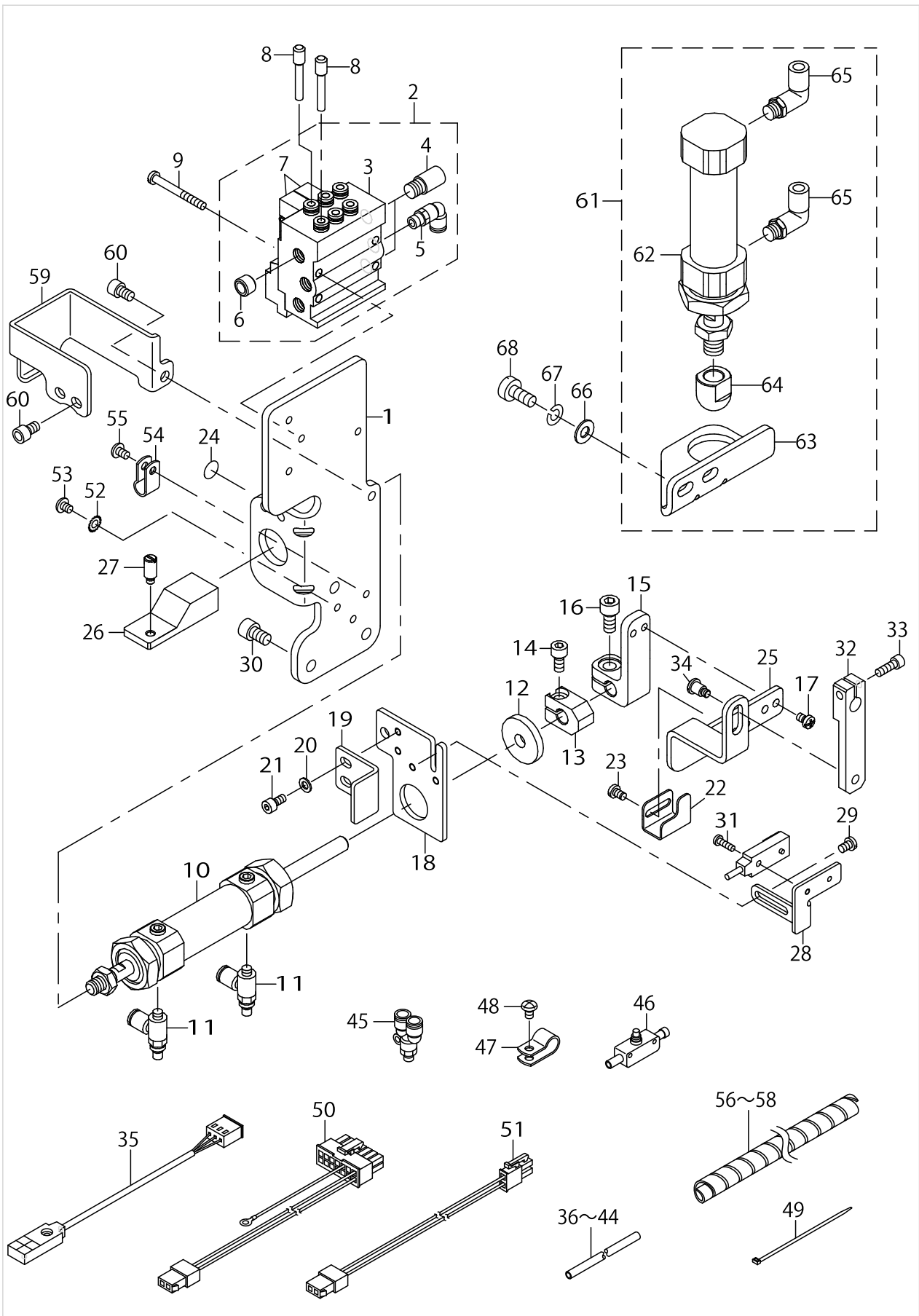
PNEUMATIC DRIVE & PRESSER FEED LIFTER COMPONENTS



PNEUMATIC DRIVE & PRESSER FEED LIFTER COMPONENTS

No.	Supply Code	Parts No.	Replacement	Parts name	Remarks	Choice	Step	Level	Cons	Qty	Rep. QTY
1		13442504		AIR_CYLINDER_BRACKET						1	
2		40072396		MANIFOLD_VALVE_ASSY						1	
3		PV035161000		MANIFOLD				*		1	
4		PX055104000		SILENCER (PT1/8)				*		2	
5		PJ304065101		ELBOW UNION 6XPT1/8				*		1	
6		PJ025100002		PLUG R1/8				*		3	
7		PJ025100002		PLUG R1/8				*		2	
8		PX500014000		PLUG						2	
9		SM4043555SP		SCREW						2	
10		PA2001802A0		AIR CYLINDER						1	
11		PC010508000		SPEED CONTROLLER						2	
12		13443601		WASHER						1	
13		13442900		COLLAR						1	
14		SM6051002TP		SCREW M5X0.8 L=10						1	
15		13443007		PLATE HOLDER						1	
16		SM6061202TP		SCREW M6 L=12						1	
17		SM4040655SP		SCREW M4 L=6						2	
18		70001776		SENSOR HOLDER						1	
19		70001778		SUPPORT_PLATE_UT						1	
20		WP0430800SC		WASHER M4						2	
21		SM6040802TP		SCREW M4X0.7 L=8						2	
22		13443205		SWITCH_PLATE						1	
23		SM4040655SP		SCREW M4 L=6						2	
24		22901805		GROUND MARK						1	
25		13443106		TENS_RELEASE_PLATE						1	
26	D	13442603		PLUNGER						1	
27		13442702		PIN						1	
28		70001777		SENSOR HOLDER						1	
29		SM4040655SP		SCREW M4 L=6						2	
30		SM6061002TP		SCREW M6 L=10						3	
31		SM4031001SN		SCREW						1	
32		70001479		TENSION_RELEASE_LEVER						1	
33		SM6041202TP		SCREW M4X0.7 L=12						1	
34		SD0700706TP		SHOULDER SCREW						1	
35		40021746		UNDER_TRIMMER_S- SENSOR_CABLE_ASM						1	
36		BT0400251EB		URETHANE TUBE BLACK 4X2.5						.27	
37		BT0400251EB		URETHANE TUBE BLACK 4X2.5						.32	
38		BT0400251EB		URETHANE TUBE BLACK 4X2.5						.08	
39		BT0400251EB		URETHANE TUBE BLACK 4X2.5						.08	
40		BT0400251EB		URETHANE TUBE BLACK 4X2.5						.42	
41		BT0400251EB		URETHANE TUBE BLACK 4X2.5						.23	
42		BT0400251EB		URETHANE TUBE BLACK 4X2.5						.63	
43		BT0400251EB		URETHANE TUBE BLACK 4X2.5						.3	
44		BT0400251EB		URETHANE TUBE BLACK 4X2.5						.22	
45		PJ308040006		UNION						2	
46		PC012401000		SPEED CONTROLLER						1	

PNEUMATIC DRIVE & PRESSER FEED LIFTER COMPONENTS

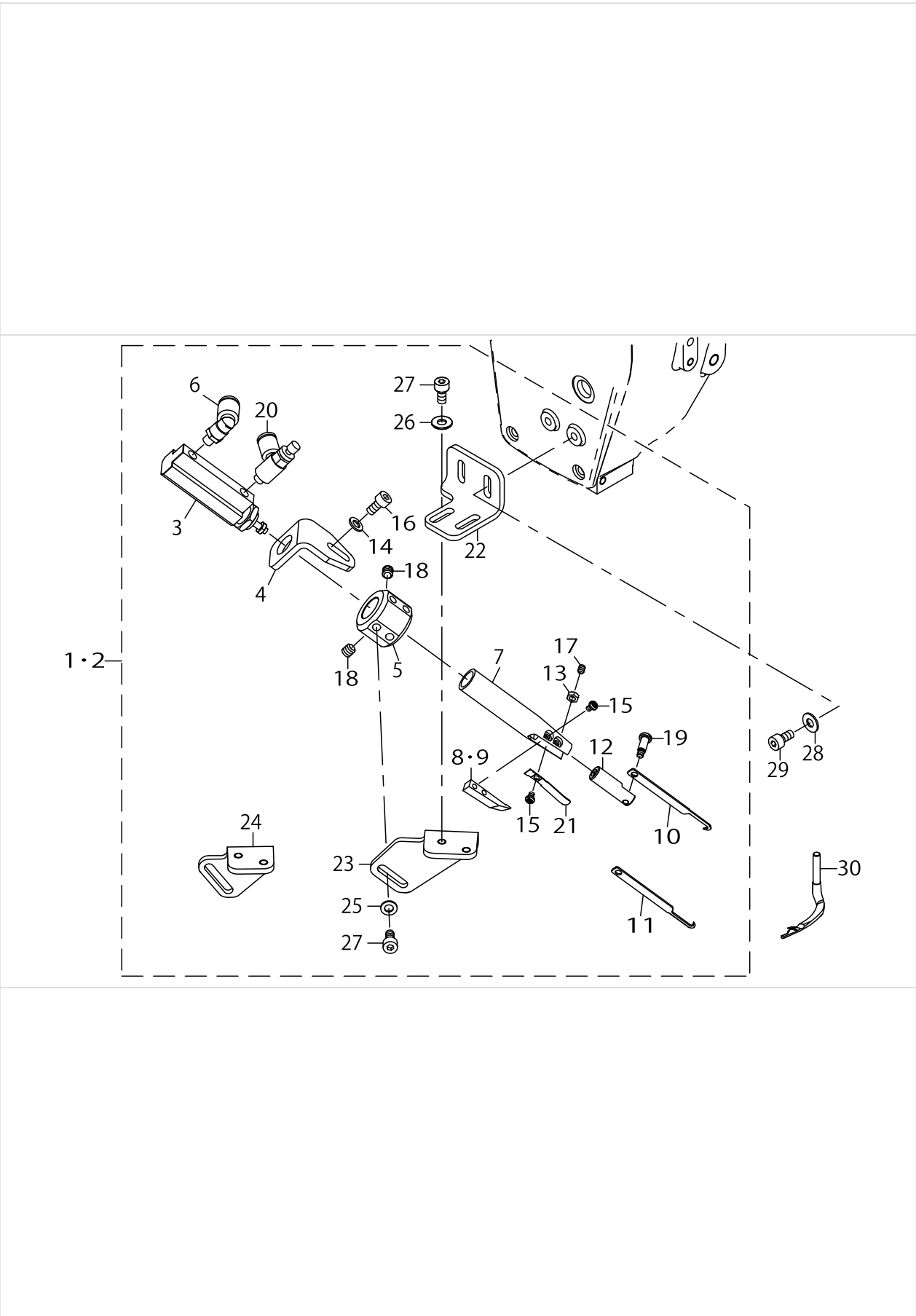


PNEUMATIC DRIVE & PRESSER FEED LIFTER COMPONENTS

No.	Supply Code	Parts No.	Replacement	Parts name	Remarks	Choice	Step	Level	Cons	Qty	Rep. QTY
47		HX0015000C		CABLE CLAMP						2	
48		SM4040655SP		SCREW M4 L=6						2	
49		EA9500B0100		CABLE BAND						3	
50		40027211		UNDER_TRIMMER_CABLE_B_ASM						1	
51		40027213		LIFT_UP_CABLE_B_ASM						1	
52		WT0430002KN		WASHER M4						1	
53		SM4040501SN		SCREW M4X0.7 L=5						1	
54		HX00150000B		CABLE CLAMP						1	
55		SM4040655SP		SCREW M4 L=6						1	
56		HX003140000		SPIRAL TABE						.96	
57		HX00314000D		SPIRAL TUBE						.12	
58		HX00314000D		SPIRAL TUBE						.1	
59		40069703		SOLENOIDE_COVER						1	
60		SM6050802TP		SCREW M5X0.8 L=8						3	
61		40018079		PNEUMATIC_P_F_LIFTER_ASSY						1	
62		PA2503004A0		AIR CYLINDER				*		1	
63		13455001		AIR_CYLINDER_BRACKET				*		1	
64		13455100		AIR_CYLINDER_CAP				*		1	
65		PJ304045102		ELBOW UNION, C				*		2	
66		WP0621016SD		WASHER 6.2X13X1						2	
67		WS0610002KP		SPRING WASHER						2	
68		SM6061400SP		SCREW M6 L=14						2	



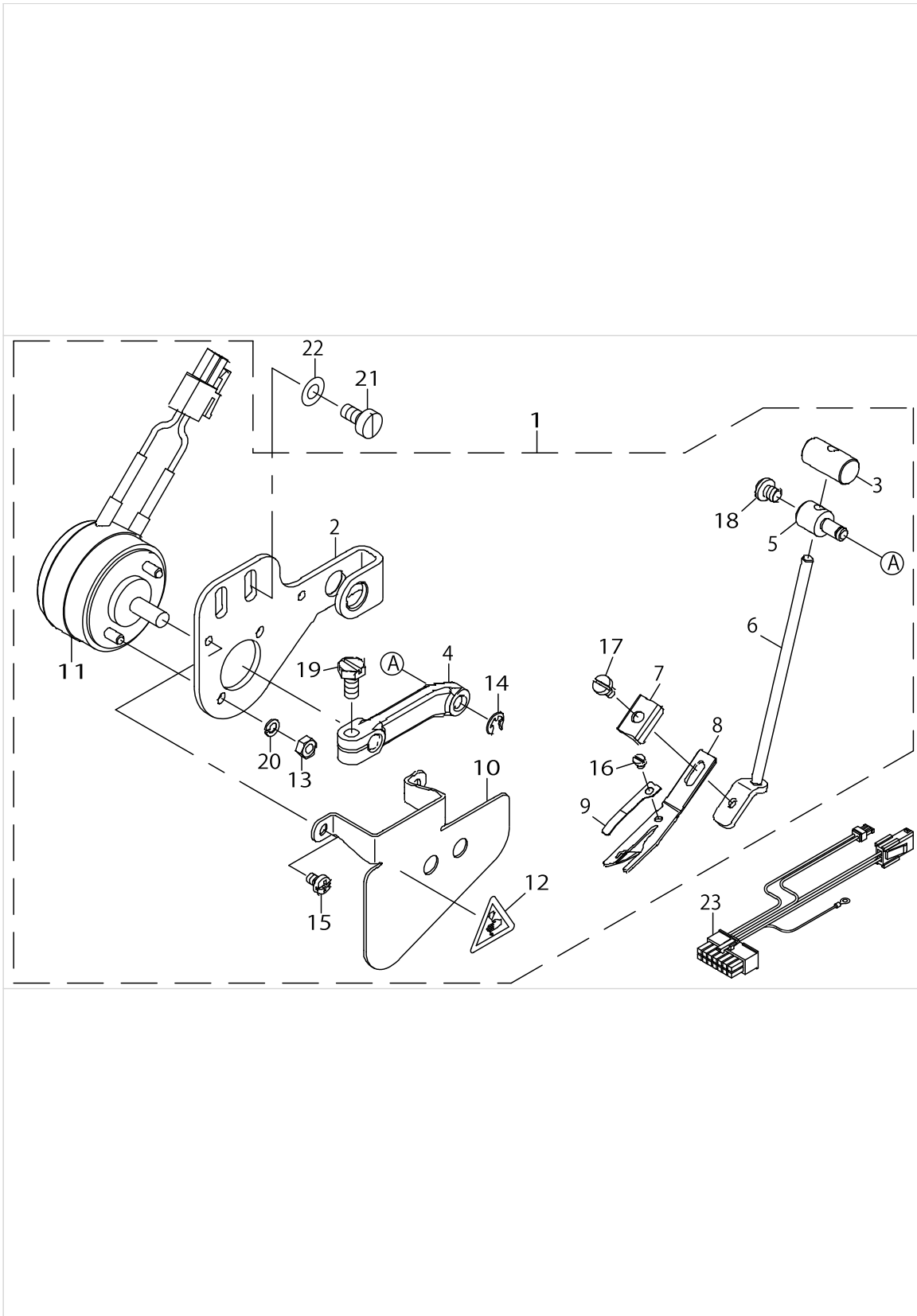
TOP COVER THREAD TRIMMER COMPONENTS (UT57,UT57A)



TOP COVER THREAD TRIMMER COMPONENTS (UT57,UT57A)

No.	Supply Code	Parts No.	Replacement	Parts name	Remarks	Choice	Step	Level	Cons	Qty	Rep. QTY
1		70001788		U_L_THREAD_TRIMMER_ASSY						1	
2		70002246		U_L_THREAD_TRIMMER_ASSY(TURKEY)	FOR TURKEY (UT57A)					1	
3		PA0602006A0		AIR_CYLINDER				*		1	
4		13459300		AIR_CYLINDER_BRACKET				*		1	
5		13458203		COLLAR				*		1	
6		PJ304040504		UNION				*		1	
7		70001781		KNIFE HOLDER				*		1	
8	R	13458500	40058211	LOWER_KNIFE		A		*		1	1.00
8	R	13458500	40029004	LOWER_KNIFE		A		*		1	1.00
9		40029004		FIXED_KNIFE	FOR TURKEY (UT57A)			*		1	
10		40065510		MOVING_KNIFE				*		1	
11		70001791		MOVING_KNIFE	FOR TURKEY (UT57A)			*		1	
12		70001780		MOVING_KNIFE HOLDER				*		1	
13		NM6030250SC		NUT M3X0.5				*		1	
14		WP0430800SC		WASHER M4				*		2	
15		SM4850455SP		SCREW				*		3	
16		SM6040802TN		SCREW				*		2	
17		SM8030450SP		SCREW M3 L=4				*		1	
18		SM8050512TP		SCREW				*		2	
19		70001782		SHOULDER_SCREW				*		1	
20		PC010508000		SPEED_CONTROLLER				*		1	
21		13458401		SPRING				*		1	
22		70001783		BRACKET_2				*		1	
23		70001784		BRACKET				*		1	
24		70001790		BRACKET_FOR_TURKEY	FOR TURKEY (UT57A)			*		1	
25		WP0430800SC		WASHER M4				*		2	
26		WP0450826SC		WASHER 4.5X10X0.8				*		2	
27		SM6040802TN		SCREW				*		4	
28		WP0450826SC		WASHER 4.5X10X0.8				*		2	
29		SM6040802TN		SCREW				*		2	
30	R	70001563	70004224	UPPER_LOOPER	FOR TURKEY (UT57A)					1	1.00

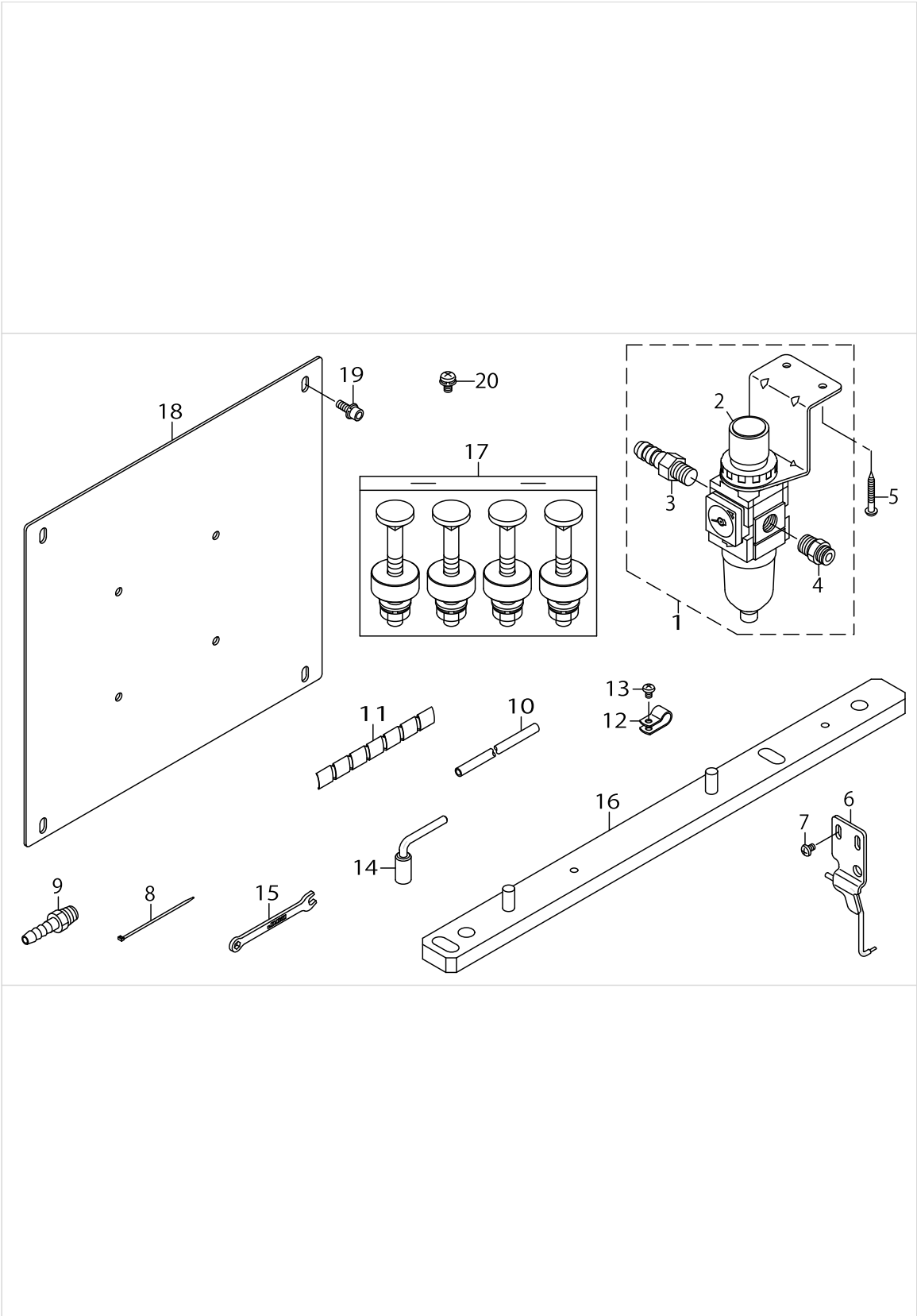
NEEDLE THREAD WIPER COMPONENTS (UT55)



NEEDLE THREAD WIPER COMPONENTS (UT55)

No.	Supply Code	Parts No.	Replacement	Parts name	Remarks	Choice	Step	Level	Cons	Qty	Rep. QTY
1		40031642		NEEDLE_THREAD_WIPER_ASSY						1	
2		40031388		SOLENOID_BRACKET				*		1	
3		40031390		WIPER_BAR_GUIDE				*		1	
4		40031391		SOLENOID_LEVER				*		1	
5		40031392		SOLENOID_LEVER_PIN				*		1	
6		40031394		WIPER_BAR_ASSY				*		1	
7		40031396		WIPER_HOLDER				*		1	
8		40031397		WIPER				*		1	
9		40031399		THD_CLAMP_SPRING				*		1	
10		40031402		SAFETY_COVER				*		1	
11		40032661		ROTARY_SOLENOID_ASSY				*		1	
12		CM300200001		FINGER INJURY CAUTION LABEL (16)				*		1	
13		NM6030001SN		NUT				*		2	
14		RE0300000K0		E-RING 3				*		1	
15		SM4030455SP		SCREW				*		2	
16		SM6020250TP		SCREW.				*		1	
17		SM6030500SN		SCREW M3 L=5				*		1	
18		SM6040450TP		SCREW M4 L=4				*		1	
19		SM9040800SP		SCREW				*		1	
20		WS0310002KN		SPRING WASHER M3				*		2	
21		SM6040800SP		SCREW						2	
22		WP0450826SC		WASHER 4.5X10X0.8						2	
23		40034194		UT23_UT_CABLE_ASSY						1	

ACCESSORIE PARTS COMPONENTS



ACCESSORIE PARTS COMPONENTS

No.	Supply Code	Parts No.	Replacement	Parts name	Remarks	Choice	Step	Level	Cons	Qty	Rep. QTY
1		40018052		FILTER_REGULATOR_ASSY						1	
2		PF0552070C0		FILTER GEGULATOR				*		1	
3		F1021003000		HOSE JOINT				*		1	
4		PJ301065201		HALF UNION 6XPT1/4				*		1	
5		SK3452001SE		WOOD SCREW D=4.5 L=20						2	
6		70001785		AIR_BLOW_WIPER_ASSY	FOR UT56					1	
7		SM4040655SP		SCREW M4 L=6						2	
8		EA9500B0100		CABLE BAND						3	
9		PJ032526001		HOSE NIPPLE						1	
10		BT0600401EB		URETHANE TUBE BLACK 6X4						2	
11		HX00314000A		SPIRAL TUBE						.6	
12		HX00150000C		CABLE CLAMP						1	
13		SM4040655SP		SCREW M4 L=6						1	
14		40073360		WRENCH						1	
15		13160106		SPANNER (5X6)						1	
16		70001843		SUPPORT_PLATE_ASSY	FOR HALF- -SUNKEN TYPE TABLE					2	
17		40026691		ASSY_BOLT_SET(78- 00_SUBMERGED)	FOR HALF- -SUNKEN TYPE TABLE					1	
18		40094198		SC_BRACKET	FOR HALF- -SUNKEN TYPE TABLE					1	
19		SL6051492TN		BOLT	FOR HALF- -SUNKEN TYPE TABLE					4	
20		SL4051091SC		SCREW M5X0.8 L=10	FOR HALF- -SUNKEN TYPE TABLE					4	

## HOW TO MAKE USE OF THIS PARTS LIST

- 1.As to "#01" and "#02" refer to the "Note" given at the bottom of the respective pages.
- 2.Codes on the "Qty" column
  - Each numeral indicates the number of parts required.
  - "0.1" and "2.5" indicate the length (in meters) of the respective parts.
- 3.Parentheses mean that the corresponding part is a subpart that constructs an assembly part.
- 4.Dotted lines on the Figures indicate assembly parts.

1. リストページの# 0 1、# 0 2の印は、ページ下の"注記"の説明を参照下さい。
2. 数量欄の数字は、個数を表し、0. 1、2. 5等の数値は、長さ（単位メートル）を表します。
3. 数量欄の（ ）は、組部品を構成している子部品であることを意味します。
4. イラストページの-----枠は、組構成であることを意味します。

ALL PARTS NOT MENTIONED IN THIS PARTS LIST ARE SAME AS THOSE OF  
MODEL MF-7900. OTHER PARTS LIST RELATED TO THIS MODEL.  
\*MF-7900. (NO.1599 PART NO.70002009)

このパーツリスト記載以外の部品はMF-7900.と共通です。  
この機種に関連するパーツリストとして下記のパーツリストがあります。  
\* MF-7900. (NO.1599 品番70002009)

# NUMERICAL INDEX OF PARTS

PART NO	PAGE	REF NO.	PART NO	PAGE	REF NO.	PART NO	PAGE	REF NO.
13140504	8	4	40027211	14	50	40086303	10	4
13160106	20	15	40027213	14	51	40086308	10	25
13301809	2	28	40029004	16	8·9	40094198	20	18
13302203	2	17	40031388	18	2	40101602	8	12
13302302	2	30	40031390	18	3	40102003	8	13
13308507	6	17	40031391	18	4	40112105	6	38
13324108	6	14	40031392	18	5	40112106	6	29
13340302	8	5	40031394	18	6	40112107	6	7
13401906	2	5	40031396	18	7	40118009	6	36
13402003	2	22	40031397	18	8	40119461	4	53
13402706	2	35	40031399	18	9	70001413	4	52
13403605	2	41	40031402	18	10	70001414	2	38
13406905	6	1	40031642	18	1	70001451	6	34
13407903	6	25	40032661	18	11	70001457	4	54
13408406	6	2	40034194	18	23	70001458	6	20
13408505	6	4	40042363	8	8	70001479	12	32
13408604	6	26	40042364	8	9	70001484	4	62
13408703	6	23	40042365	8	10	70001563	16	30
13409800	2	40	40042366	8	11	70001612	8	3
13440409	10	32	40065510	16	10	70001613	8	17
13442504	12	1	40065785	8	1	70001614	8	18
13442603	12	26	40069703	14	59	70001615	8	15
13442702	12	27	40070110	10	11	70001616	8	16
13442900	12	13	40072396	12	2	70001617	8	14
13443007	12	15	40073360	20	14	70001618	8	20
13443106	12	25	40082196	2	15	70001620	8	7
13443205	12	22	40086274	10	15	70001621	8	21
13443601	12	12	40086275	10	9	70001642	4	59
13455001	14	63	40086277	10	27	70001643	4	60
13455100	14	64	40086278	10	28	70001645	4	57
13456108	8	23	40086279	10	29	70001648	2	31
13456207	8	24	40086280	10	23	70001650	2	29
13456405	8	28	40086282	10	22	70001652	2	43
13456603	8	27	40086286	10	20	70001653	2	3
13458203	16	5	40086290	10	33	70001655	2	2
13458401	16	21	40086292	10	12	70001657	2	1
13458500	16	8·9	40086293	10	5	70001661	2	10
13459300	16	4	40086294	10	3	70001662	10	36
22901805	12	24	40086295	10	6	70001663	2	20
26019000	8	6	40086296	10	7	70001667	2	12
40017824	6	6	40086298	10	30	70001668	2	24
40018052	20	1	40086299	10	31	70001670	2	25
40018079	14	61	40086300	10	21	70001671	2	33
40021746	12	35	40086301	10	19	70001673	4	50
40026691	20	17	40086302	10	34	70001678	2	44



# NUMERICAL INDEX OF PARTS

PART NO	PAGE	REF NO.	PART NO	PAGE	REF NO.	PART NO	PAGE	REF NO.
70001681	6	42	NM6030250SC	16	13	SM4040655SP	6	35
70001682	6	22	NM6040000SN	2	14	SM4040655SP	8	22
70001683	6	24	NM6040001SC	4	49	SM4040655SP	12	55
70001684	6	11	NM6040001SP	10	14	SM4040655SP	14	55
70001685	6	12	NM6050001SP	10	8	SM4040655SP	20	13
70001686	6	15	PA0602006A0	16	3	SM4040855SP	2	61
70001692	6	10	PA2001802A0	12	10	SM4040855SP	4	61
70001776	12	18	PA2503004A0	14	62	SM4041055SP	2	48
70001777	12	28	PC010508000	12	11	SM4041055SP	4	48
70001778	12	19	PC010508000	16	20	SM4041055SP	8	19
70001780	16	12	PC012401000	12	46	SM4041655SP	8	2
70001781	16	7	PF0552070C0	20	2	SM4043555SP	12	9
70001782	16	19	PH0300252C0	2	7	SM4051455SP	4	56
70001783	16	22	PJ025100002	12	7	SM4850455SP	16	15
70001784	16	23	PJ032526001	20	9	SM6020250TP	18	16
70001785	20	6	PJ301065201	20	4	SM6020350SP	10	26
70001788	16	1·2	PJ304040504	16	6	SM6030500SN	18	17
70001790	16	24	PJ304045102	14	65	SM6030800SP	2	45
70001791	16	11	PJ304065101	12	5	SM6040450TP	18	18
70001799	10	38	PJ308040006	12	45	SM6040650TP	10	39
70001800	10	17·18	PS0300122KH	6	27	SM6040750TP	2	19
70001801	10	37	PV035161000	12	3	SM6040800SP	2	21
70001802	10	1·2	PX055104000	12	4	SM6040800SP	18	21
70001843	20	16	PX500014000	12	8	SM6040802TN	16	29
70002246	16	1·2	RE0300000K0	8	30	SM6040802TP	12	21
70003278	6	16	RE0300000K0	18	14	SM6041202TP	12	33
70003317	6	40	RO037180100	2	9	SM6050800SP	2	42
70003362	10	17·18	SB115002300	6	9	SM6050802TP	14	60
70003424	10	1·2	SD0550906TP	6	13	SM6051002TP	6	41
70004184	6	33	SD0700706TP	12	34	SM6051002TP	12	14
BT0400251EB	12	36~44	SK3452001SE	20	5	SM6061002TP	12	30
BT0600401EB	20	10	SL4051091SC	20	20	SM6061202TP	12	16
CM300200001	18	12	SL6042092TN	4	55	SM6061400SP	14	68
CQ300000001	6	28	SL6051492TN	20	19	SM8030412TP	8	26
EA9500B0100	14	49	SL6052592TN	6	37	SM8030450SP	16	17
EA9500B0100	20	8	SM1020450TP	10	24	SM8040360TP	2	36
F1021003000	20	3	SM1030400SP	4	58	SM8040360TP	8	29
HX00150000B	14	54	SM1030501SN	2	26	SM8040412TP	2	32
HX00150000C	14	47	SM1040800SP	2	34	SM8041012TP	2	13
HX00150000C	20	12	SM1040860SP	2	23	SM8050412TP	6	30
HX003140000	14	56~58	SM4030455SP	18	15	SM8050512TP	16	18
HX00314000A	20	11	SM4031001SN	12	31	SM8050612TP	6	5
HX00314000D	2	37	SM4040501SN	14	53	SM8060552TP	6	18
HX00314000D	14	56~58	SM4040655SP	2	51	SM8060812TP	6	31
NM6030001SN	18	13	SM4040655SP	4	51	SM8060842TP	6	32

## NUMERICAL INDEX OF PARTS

PART NO	PAGE	REF NO.
SM8550952TP	6	39
SM9040800SP	18	19
TA0980502R0	10	35
WP0420516KH	10	10
WP0430800SC	12	20
WP0430800SC	16	25
WP0431005SP	10	13
WP0450801SC	4	47
WP0450826SC	16	28
WP0450826SC	18	22
WP0621016SD	14	66
WS0310002KN	18	20
WS0510002KP	2	39
WS0610002KP	14	67
WT0430002KN	14	52