

MODEL : UT51/UT52

List No : 1605-01

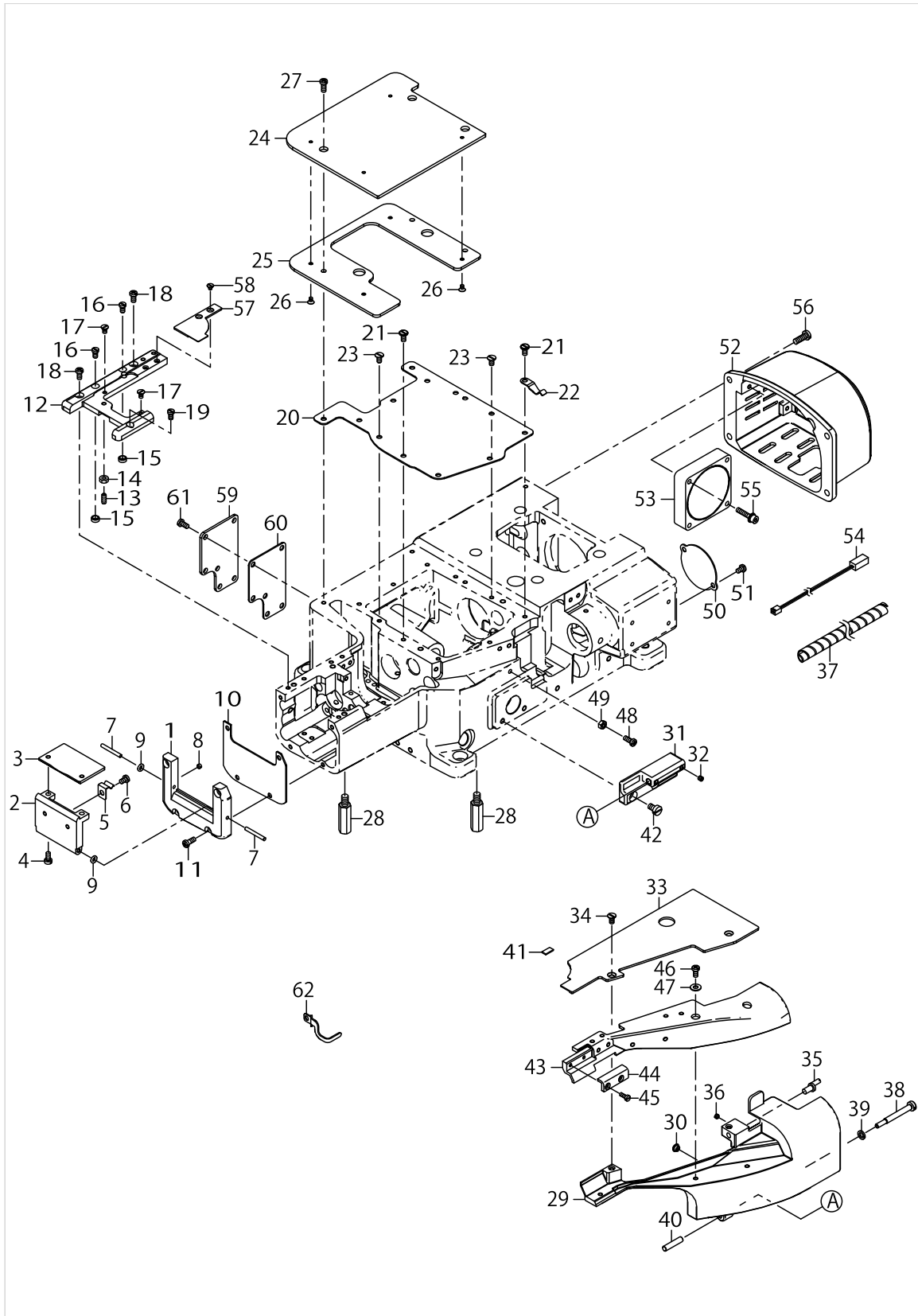
PARTS LIST

Published:05/12/2017

CONTENTS

MISCELLANEOUS COVER COMPONENTS.....	1
LOWER SHAFT COMPONENTS.....	5
THREAD TENSION COMPONENTS	7
LOOPER THREAD TRIMMER COMPONENTS	9
PNEUMATIC DRIVE COMPONENTS	11
AK SOLENOID COMPONENTS	13
TOP COVER THREAD TRIMMER COMPONENTS	15
ACCESSORIE PARTS COMPONENTS.....	17
HOW TO MAKE USE OF THIS PARTS LIST	19

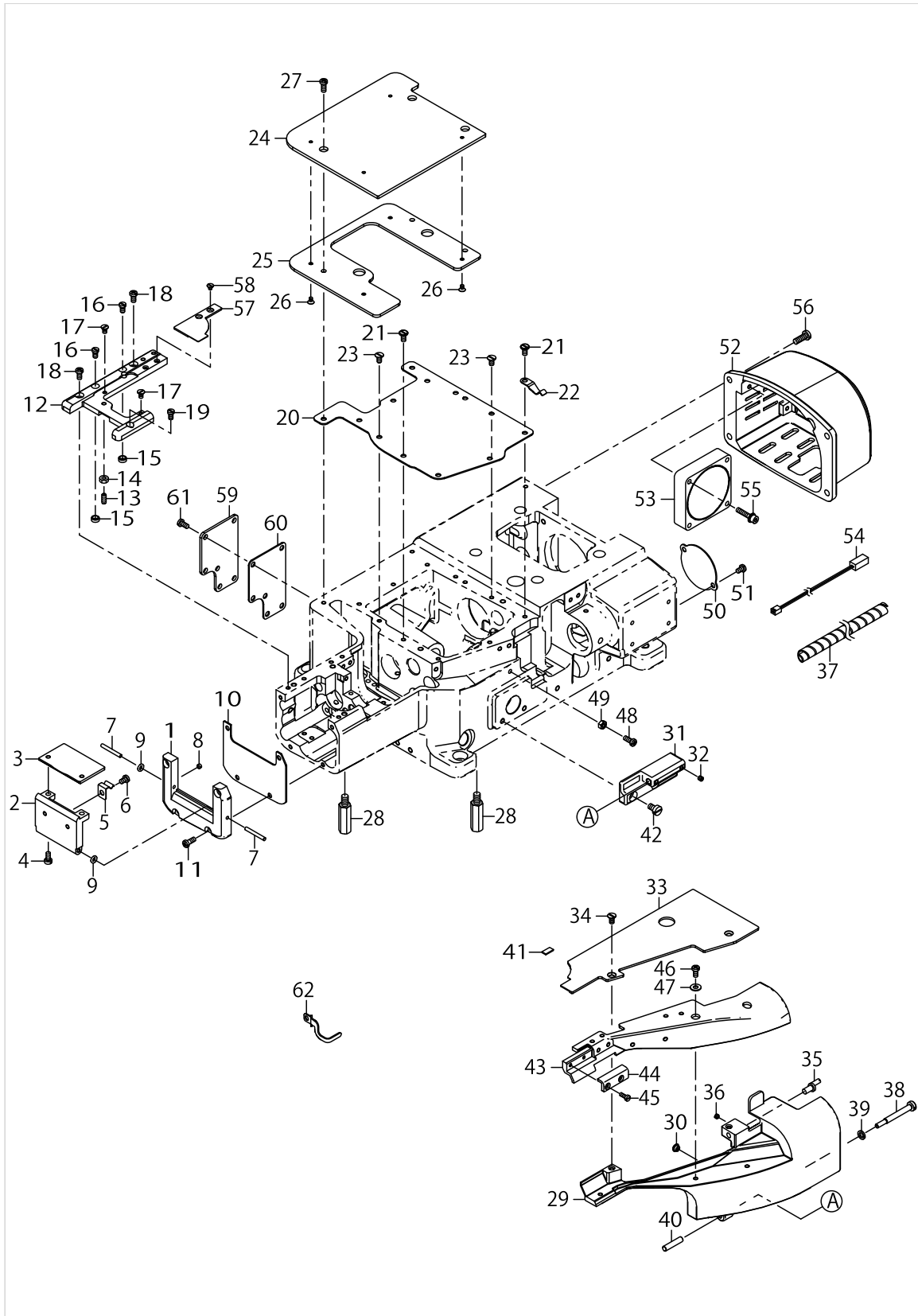
MISCELLANEOUS COVER COMPONENTS



MISCELLANEOUS COVER COMPONENTS

No.	Supply Code	Parts No.	Replacement	Parts name	Remarks	Choice	Step	Level	Cons	Qty	Rep. QTY
1		70001657		CYLINDER_COVER						1	
2		70001655		SIDE_COVER_BOTTOM						1	
3		70001653		SIDE_COVER_UPPER						1	
4		SM6040800SP		SCREW						2	
5		13401906		LATCH SPRING 2						1	
6		SM4040655SP		SCREW M4 L=6						1	
7		PH0300252C0		PIN						2	
8		SM8040360TP		SCREW						2	
9		RO037180100		RUBBER RING						2	
10		70001661		GASKET						1	
11		SM4041055SP		SCREW						4	
12		70001667		THROAT_PLATE_SUPPORT						1	
13		SM8041012TP		SCREW M4 L=10						1	
14		NM6040000SN		NUT M4						1	
15		40082196		ADJUSTING_COLLAR						2	
16		SM6040750TP		SCREW M4 L=7						2	
17		13302203		SCREW						2	
18		SM4040855SP		SCREW						2	
19		SM6040750TP		SCREW M4 L=7						1	
20		70001663		GASKET_B						1	
21		SM6040800SP		SCREW						6	
22		13402003		LATCH SPRING						1	
23		SM1040860SP		SCREW						4	
24		70001668		CLOTH_PLATE_REAR						1	
25		70001670		CLOTH_PLATE_REAR_LOWER						1	
26		SM1030501SN		SCREW						2	
27		SM4041055SP		SCREW						3	
28		13301809		SUPPORT STUD						4	
29		70001650		SWING_DOWN_COVER						1	
30		13302302		RUBBER BUMPER						1	
31		70001648		HINGE						1	
32		SM8040412TP		SET SCREW M4 L=4						2	
33		70001671		CLOTH_PLATE_FRONT						1	
34		SM1040800SP		SCREW						2	
35		13402706		PIN FOR COVER						1	
36		SM8040360TP		SCREW						1	
37		HX00314000D		SPIRAL TUBE						.7	
38		70001414		SCREW						1	
39		WS0510002KP		SPRING WASHER 5.1X9.2X1.3						1	
40		13409800		DIFF_LINK_PIN						1	
41		13403605		RUBBER_PLATE						1	
42		SM6050800SP		SCREW M5 L=8						2	
43		70001652		BRACKET						1	
44		70001678		BRACKET						1	
45		SM6030800SP		SCREW M3X0.5 L=8						2	
46		SM4040855SP		SCREW						2	

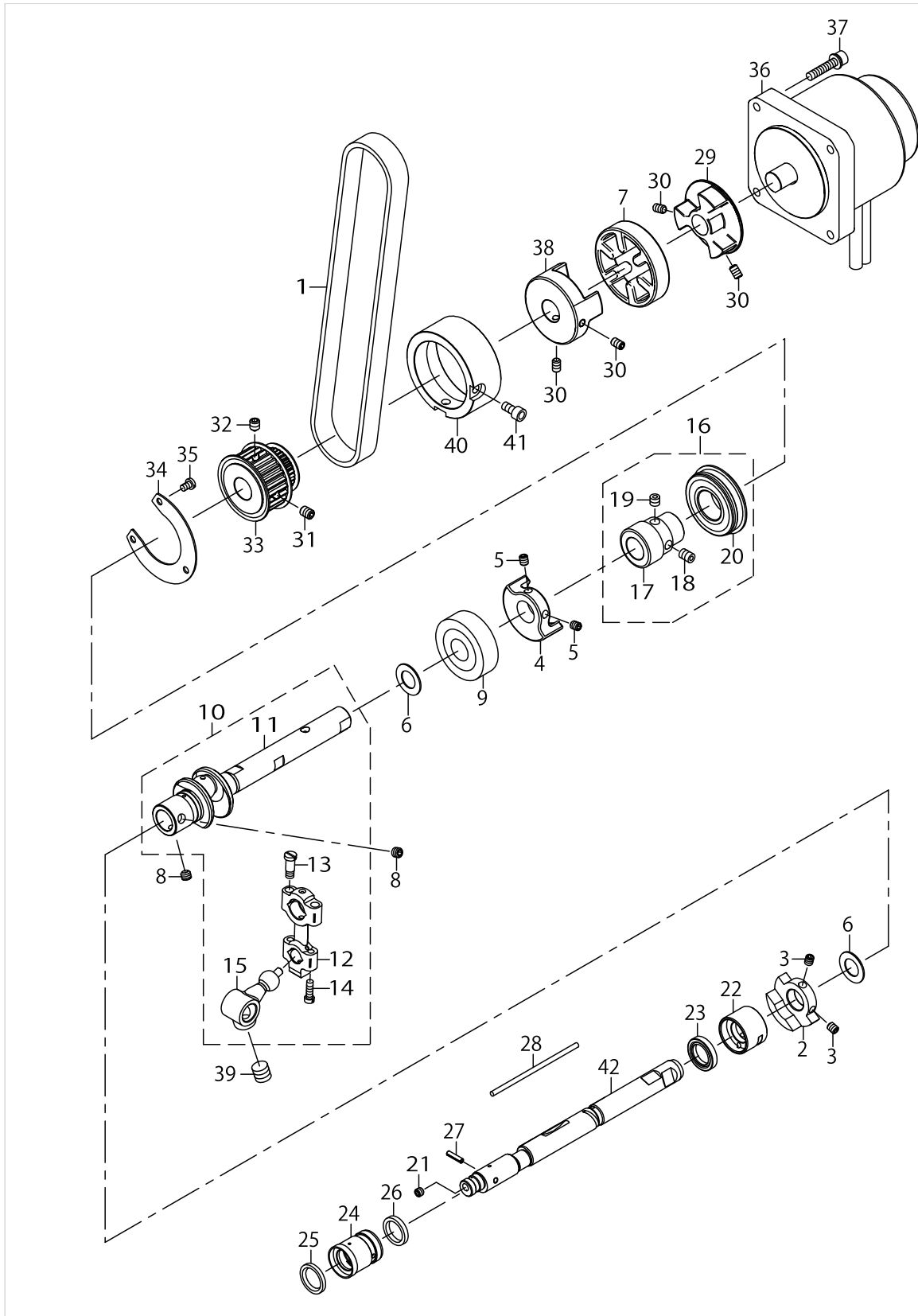
MISCELLANEOUS COVER COMPONENTS



MISCELLANEOUS COVER COMPONENTS

No.	Supply Code	Parts No.	Replacement	Parts name	Remarks	Choice	Step	Level	Cons	Qty	Rep. QTY
47		WP0450801SC		WASHER 4.5X10X0.8						2	
48		SM4041055SP		SCREW						1	
49		NM6040001SC		NUT M4X0.7 TYPE1						1	
50		70001673		LOOPER_THD_COVER						1	
51		SM4040655SP		SCREW M4 L=6						2	
52		70001413		MOTOR_COVER						1	
53		40119461		HEAD FAN MOTOR A ASSY						1	
54		70001457		FAN_CORD_ASSY						1	
55		SL6042092TN		SCREW M4 L=20						2	
56		SM4051455SP		SCREW M5 L=14						4	
57	R	70001645	13401401	THROAT_PLATE_SUPPORT_COVER						1	1.00
58		SM1030400SP		SCREW M3 L=4						2	
59		70001642		COVER_FOR_FEED_ADJUST						1	
60		70001643		COVER_FOR_FEED - ADJUST_PACKING						1	
61		SM4040855SP		SCREW						6	
62		70001484		FINGER_GUARD						1	

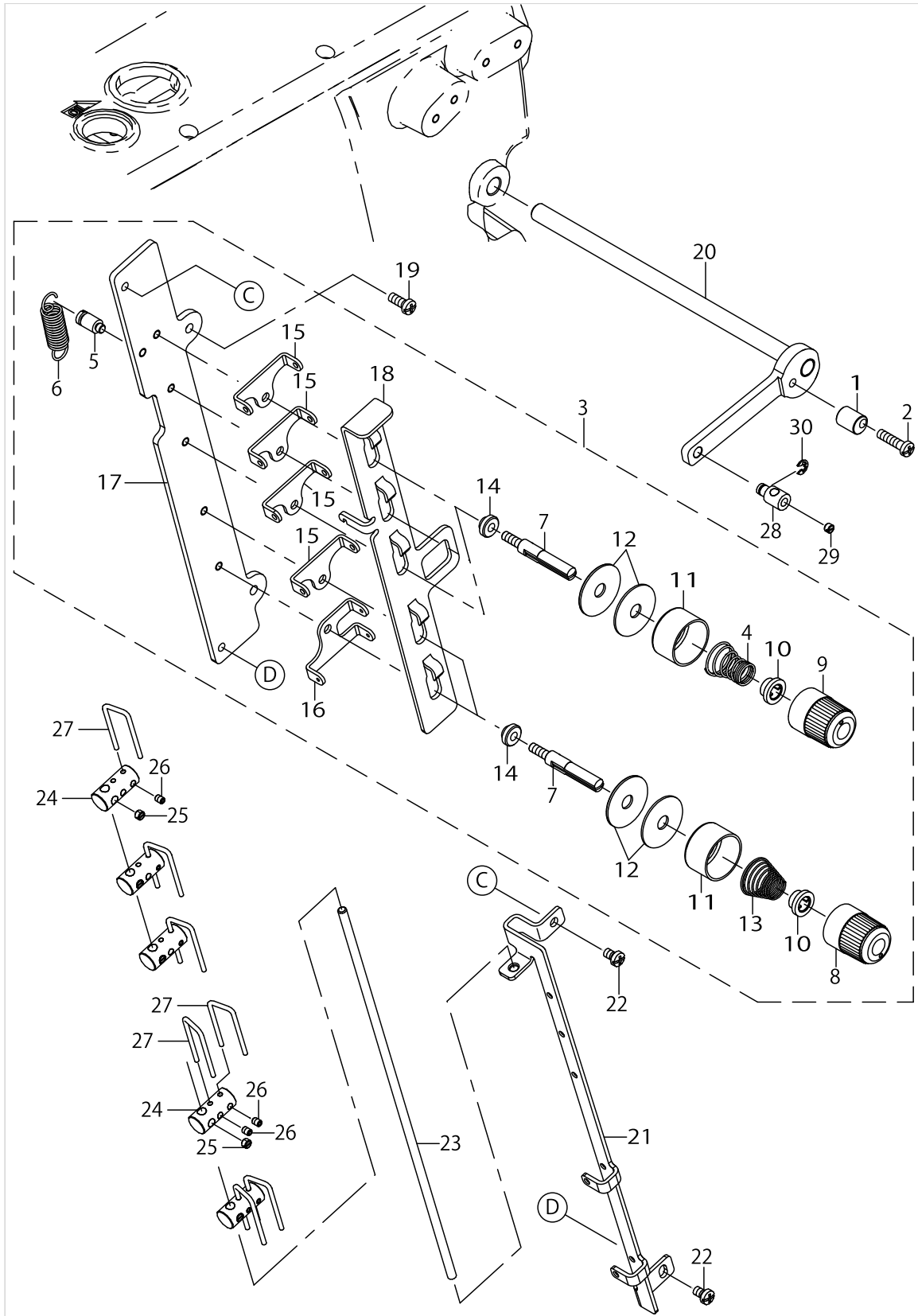
LOWER SHAFT COMPONENTS



LOWER SHAFT COMPONENTS

No.	Supply Code	Parts No.	Replacement	Parts name	Remarks	Choice	Step	Level	Cons	Qty	Rep. QTY
1		13406905		TIMING_BELT						1	
2		13408406		BALANCE_WEIGHT_LMS_1						1	
3		SM8050612TP		SCREW M5X6						2	
4		13408505		BALANCE_WEIGHT_LMS_2						1	
5		SM8050612TP		SCREW M5X6						2	
6		40017824		LOOPER LOD STOPPER						2	
7		40112107		SPIDER						1	
8		SM8060552TP		SCREW M6 L=5						2	
9		SB115002300		BEARING						1	
10		70001692		LMS_RIGHT_ROD_ASSY						1	
11		70001684		LMS_RIGHT				*		1	
12		70001685		LOOPER_ROD				*		1	
13		SD0550906TP		SHOULDER SCREW				*		2	
14		13324108		SCREW				*		2	
15		70001686		CRANK				*		1	
16		70003278		LMS_WORM_ASSY						1	
17		13308507		COUPLING D				*		1	
18		SM8060552TP		SCREW M6 L=5				*		2	
19		SM8060842TP		SCREW M6 L=8				*		1	
20	R	70001458	70003278	BEARING				*		1	1.00
21		SM8050412TP		SCREW M5 L=4						1	
22		70001682		BUSHING_LMS_MIDDLE						1	
23		13408703		OIL_SEAL						1	
24		70001683		BUSHING_LMS_LEFT						1	
25		13407903		OIL SEAL						1	
26		13408604		FELT_LMS_LEFT_BUSH						1	
27		PS0300122KH		SPRING PIN 3X12						1	
28		CQ300000001		OIL WICK						.075	
29		40112106		HUB_R						1	
30		SM8050412TP		SCREW M5 L=4						4	
31		SM8060812TP		SCREW M6 L=8						1	
32		SM8060842TP		SCREW M6 L=8						1	
33		70004184		LMS_SPROCKET						1	
34		70001451		THRUST_PLATE						1	
35		SM4040655SP		SCREW M4 L=6						3	
36		40118009		SERVO MOTOR						1	
37		SL6052592TN		BOLT						4	
38		40112105		HUB_L						1	
39		SM8550952TP		SCREW						1	
40		70003317		FLY_WHEEL_FOR_DD						1	
41		SM6051002TP		SCREW M5X0.8 L=10						2	
42		70001681		LOWER_MAINSHAFT_LEFT						1	

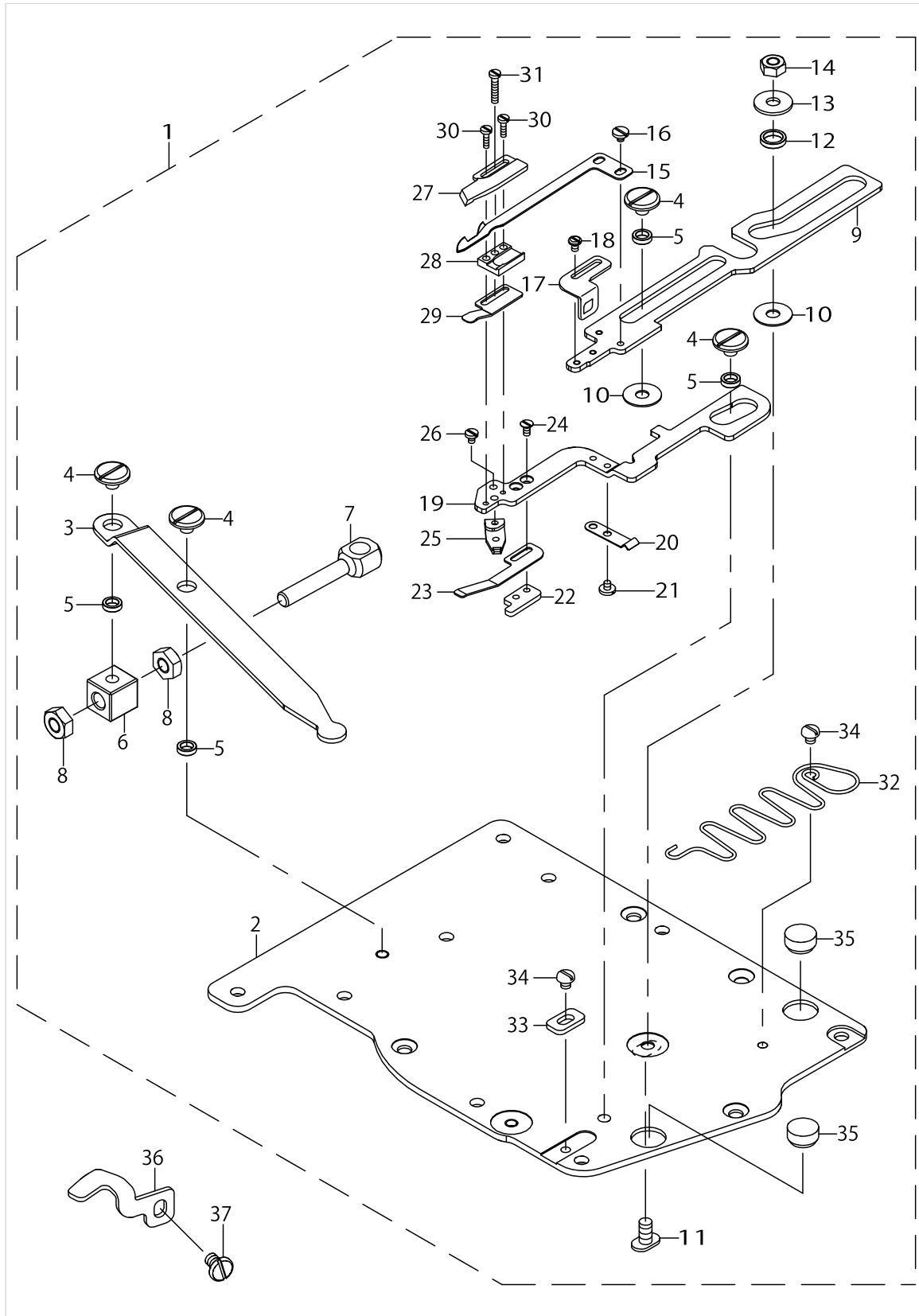
THREAD TENSION COMPONENTS



THREAD TENSION COMPONENTS

No.	Supply Code	Parts No.	Replacement	Parts name	Remarks	Choice	Step	Level	Cons	Qty	Rep. QTY
1		40065785		TENS_RELEASE_ADJ_ECC						1	
2		SM4041655SP		SCREW M4 L=16						1	
3		70001612		THREAD_TENSION_ASSY						1	
4		13140504		TENSION_SPRING				*		3	
5		13340302		SHOULDER SCREW				*		1	
6	D	26019000		THREAD TENSION SPRING				*		1	
7		70001620		TENSION_POST				*		5	
8		40042363		KNOB				*		2	
9		40042364		KNOB GREEN				*		3	
10		40042365		SPRING BUSHING				*		5	
11		40042366		THREAD TENSION DISK PRESSER				*		5	
12		40101602		THREAD_TENSION_DISC				*		10	
13		40102003		SPRING				*		2	
14		70001617		SPACER				*		5	
15		70001615		TENSION_DISC_EYELET_A				*		4	
16		70001616		TENSION_DISC_EYELET_B				*		1	
17		70001613		TENSION_POST_SUPPORT				*		1	
18		70001614		TENSION_DISC_SEPARATOR				*		1	
19		SM4041055SP		SCREW						2	
20		70001618		PULL_OFF_LEVER_ASSY						1	
21		70001621		THREAD_GUIDE						1	
22		SM4040655SP		SCREW M4 L=6						2	
23		13456108		PULL_OFF_BAR						1	
24		13456207		THD_P_O_HOOK_GUIDE						5	
25		SM8040360TP		SCREW						5	
26		SM8030412TP		SCREW						7	
27		13456603		THD_PULL_OFF_HOOK						7	
28		13456405		THD_PULL_OFF_BAR_HOLDER						1	
29		SM8040360TP		SCREW						1	
30		RE0300000K0		E-RING 3						1	

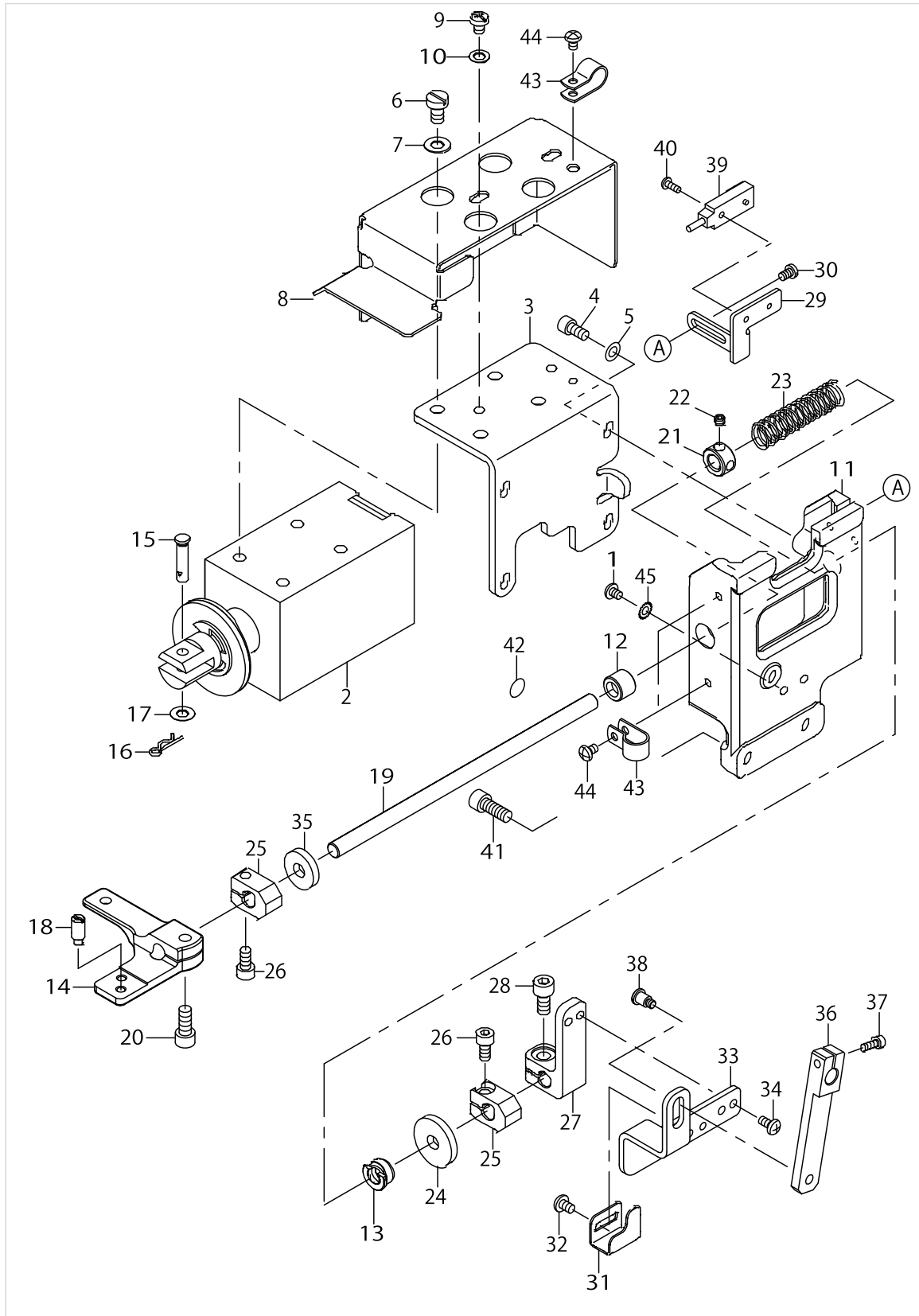
LOOPER THREAD TRIMMER COMPONENTS



LOOPER THREAD TRIMMER COMPONENTS

No.	Supply Code	Parts No.	Replacement	Parts name	Remarks	Choice	Step	Level	Cons	Qty	Rep. QTY
1		70001802		UNDER_TRIMMER_ASSY						1	
2		70001662		COVER_PLATE				*		1	
3		40086294		LEVER				*		1	
4		40086303		SCREW_M4X0.5L4				*		4	
5		40086293		COLLAR_D6				*		4	
6		40086295		CONNECTING_BLOCK_A				*		1	
7		40086296		CONNECTING_BLOCK_B				*		1	
8		NM6050001SP		NUT M5				*		2	
9		40086275		LOWER_KNIFE HOLDER				*		1	
10		WP0420516KH		THRUST WASHER 4.2				*		2	
11		40070110		SCREW				*		1	
12		40086292		COLLAR_D8				*		1	
13		WP0431005SP		PLAIN WASHER 4.3X12X1				*		1	
14		NM6040001SP		NUT M4X0.7				*		1	
15		40086274		LOWER_KNIFE				*		1	
16		40086300		SCREW_M2L2.3				*		2	
17		70001800		THREAD_GUIDE				*		1	
18		40086301		SCREW_M2L3				*		2	
19		70001801		KNIFE_GUIDE HOLDER				*		1	
20		40086286		GUIDE_SPRING				*		1	
21		40086300		SCREW_M2L2.3				*		2	
22		40086282		PLATE				*		1	
23		40086280		THREAD_CLAMP				*		1	
24		SM1020450TP		SCREW M2 L=4				*		2	
25		40086308		TENSION_LEVER				*		1	
26		SM6020350SP		SCREW M2 L=2.5				*		1	
27		40086277		UPPER_KNIFE				*		1	
28		40086278		LOWER_KNIFE_GUIDE				*		1	
29		40086279		KNIFE_SPRING				*		1	
30		40086298		SCREW_M1.6L6				*		2	
31		40086299		SCREW_M2L10				*		1	
32		13440409		SPRING_FOR_UT				*		1	
33		40086290		STOPPER				*		1	
34		40086302		SCREW_M3L3				*		2	
35		TA0980502R0		RUBBER PLUG				*		2	
36		70001799		GUIDE_BASE						1	
37		SM6040650TP		SCREW						1	

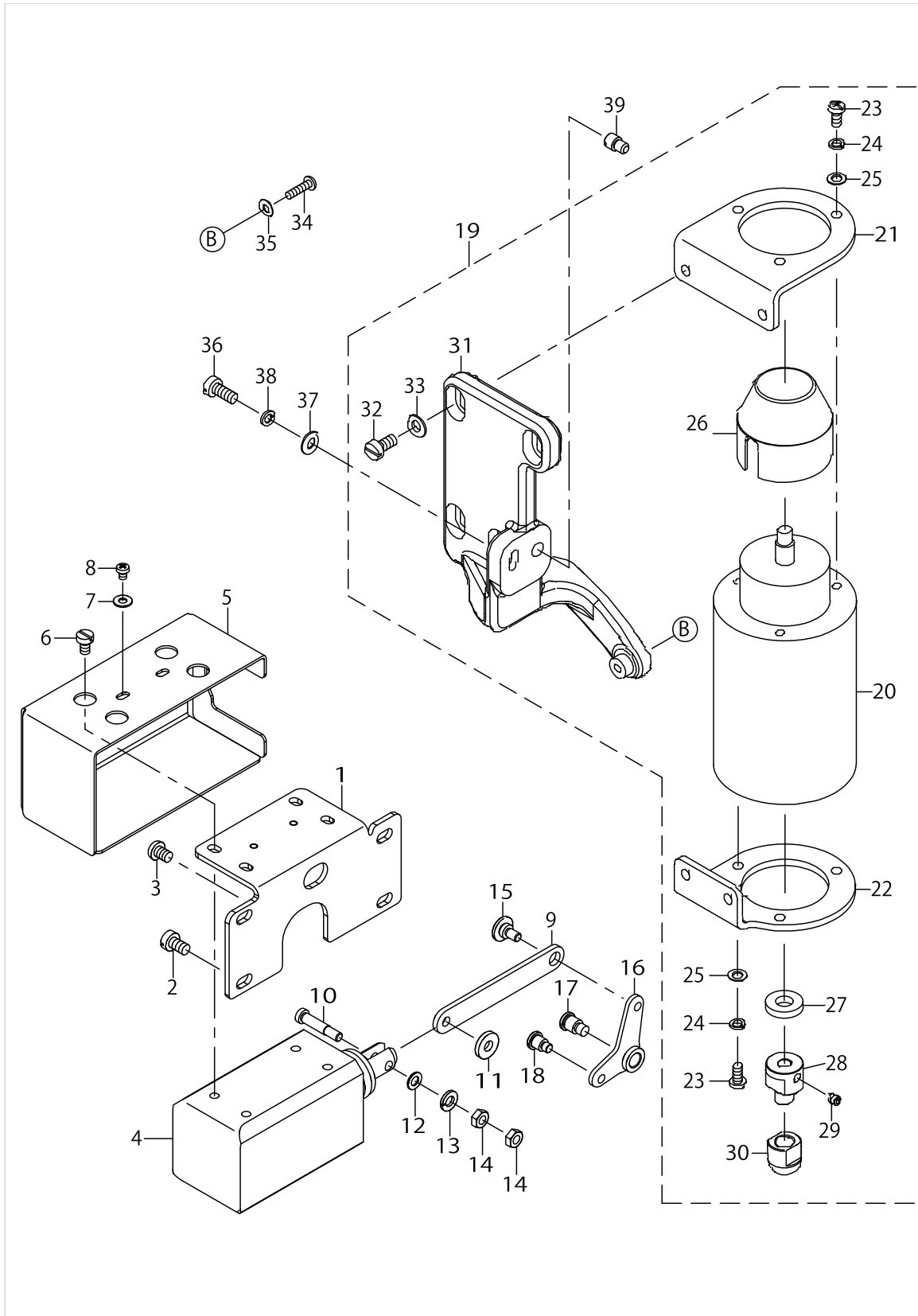
PNEUMATIC DRIVE COMPONENTS



PNEUMATIC DRIVE COMPONENTS

No.	Supply Code	Parts No.	Replacement	Parts name	Remarks	Choice	Step	Level	Cons	Qty	Rep. QTY
1		SM4040501SN		SCREW M4X0.7 L=5						1	
2		40040271		UT_SOLENOID_ASSY						1	
3		40026935		SOLENOID_BRACKET						1	
4		SM6051002TP		SCREW M5X0.8 L=10						4	
5		WP0550800SP		WASHER 5.5X10X0.8						4	
6		SM6061010TP		SCREW M6 L=10						4	
7		WP0621016SD		WASHER 6.2X13X1						4	
8		40039670		SOLENOID_COVER						1	
9		SM4050655SP		SCREW M5 L=6						2	
10		WP0550800SP		WASHER 5.5X10X0.8						2	
11		40040662		UT_SOLENOID_BASE						1	
12		40040661		BUSHING_UT_SHAFT						1	
13		40038380		BUSHING_UT_SHAFT_RIGHT						1	
14		40097664		CONN_BLOCK						1	
15		40039669		MAGNET_PIN						1	
16		B1515210D00		PIN						1	
17		WP0560860SE		WASHER 5.6X12X0.8						1	
18		13442702		PIN						1	
19		40097665		UT_SHAFT						1	
20		SM6061402TP		SCREW M6 L=14						1	
21		CS0800881TP		THRUST COLLAR						1	
22		SM8050412TP		SCREW M5 L=4						2	
23		40042567		SPRING						1	
24		13443601		WASHER						1	
25		13442900		COLLAR						2	
26		SM6051002TP		SCREW M5X0.8 L=10						2	
27		13443007		PLATE HOLDER						1	
28		SM6061202TP		SCREW M6 L=12						1	
29		70001777		SENSOR HOLDER						1	
30		SM4040655SP		SCREW M4 L=6						2	
31		13443205		SWITCH_PLATE						1	
32		SM4040655SP		SCREW M4 L=6						2	
33		13443106		TENS_RELEASE_PLATE						1	
34		SM4040855SP		SCREW						2	
35		40038259		WASHER						1	
36		70001479		TENSION_RELEASE_LEVER						1	
37		SM6041202TP		SCREW M4X0.7 L=12						1	
38		SD0700706TP		SHOULDER SCREW						1	
39		40021746		UNDER_TRIMMER_S- SENSOR_CABLE_ASM						1	
40		SM4030855SN		SCREW M3 L=8.0						1	
41		SM6061602TP		SCREW M6 L=16						3	
42		22901805		GROUND MARK						1	
43		HX00150000D		CABLE CLIP						3	
44		SM4040655SP		SCREW M4 L=6						3	
45		WT0430002KN		WASHER M4						1	

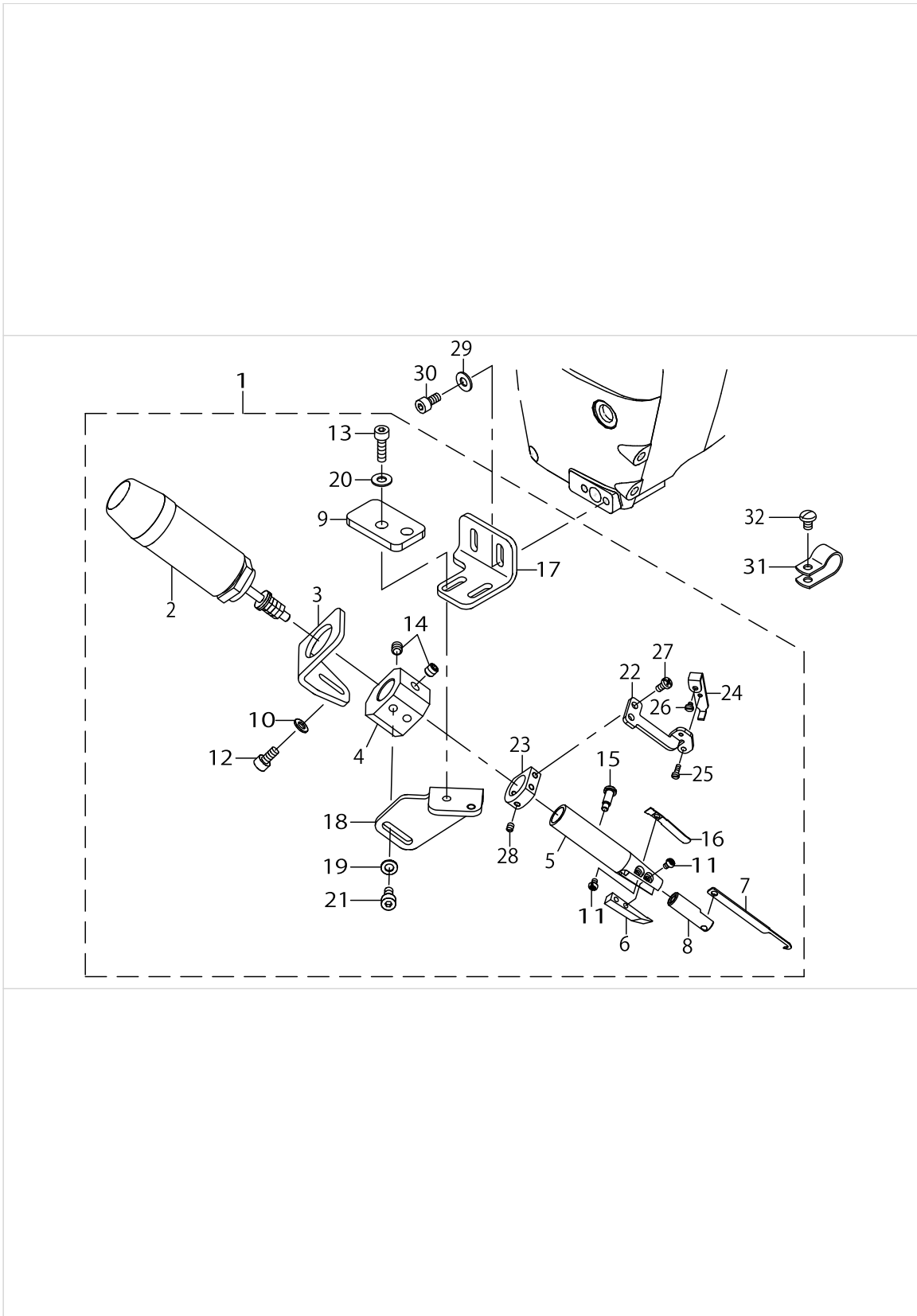
AK SOLENOID COMPONENTS



AK SOLENOID COMPONENTS

No.	Supply Code	Parts No.	Replacement	Parts name	Remarks	Choice	Step	Level	Cons	Qty	Rep. QTY
1		70001792		AK_SOLENOID_BASE	FOR UT51					1	
2		SM6061010TP		SCREW M6 L=10	FOR UT51					4	
3		SM4060801SE		SCREW	FOR UT51					2	
4		70001805		AK_SOLENOID	FOR UT51					1	
5		70001793		SOLENOID_COVER	FOR UT51					1	
6		SM6050800SP		SCREW M5 L=8	FOR UT51					4	
7		WP0450801SC		WASHER 4.5X10X0.8	FOR UT51					2	
8		SM4040501SN		SCREW M4X0.7 L=5	FOR UT51					2	
9		70001795		AK_SOLENOID_LINK	FOR UT51					1	
10		40086759		BACK_SOLENOID_PLUNGER_PIN	FOR UT51					1	
11		WP0612516SD		WASHER 6.1X15.2X2.5	FOR UT51					1	
12		WP0550800SP		WASHER 5.5X10X0.8	FOR UT51					1	
13		WS0610002KN		SPRING WASHER 6.1X12.2X1.5	FOR UT51					1	
14		NM6050001SP		NUT M5	FOR UT51					2	
15		SD0800327TP		SHOULDER SCREW	FOR UT51					1	
16		70001779		AK_SOLENOID_LEVER	FOR UT51					1	
17		SD0800706TP		SHOULDER SCREW D=8 H=7	FOR UT51					1	
18		SD0700586TP		SHOULDER SCREW	FOR UT51					1	
19		70004245		SOLENOID_ASSY_B	FOR UT52					1	
20		40030478		SOLENOID_ASSY_A				*		1	
21		40032444		SOLENOID_BRACKET_UPPER				*		1	
22		40032445		SOLENOID_BRACKET_LOWER				*		1	
23		SM4051055SP		SCREW				*		1	
24		WS0510002KP		SPRING WASHER 5.1X9.2X1.3				*		1	
25		WP0550800SP		WASHER 5.5X10X0.8				*		1	
26		GAK3303600A		SOLENOID COVER				*		1	
27		40032703		P_F_RUBBER_WASHER				*		1	
28		40032447		CAP_JOINT				*		1	
29		SM8050602TP		SCREW M5 L=6				*		1	
30		13455100		AIR_CYLINDER_CAP				*		1	
31		70004246		SOLENOID_BRACKET				*		1	
32		SM6061200SP		SCREW				*		1	
33		WP0621016SD		WASHER 6.2X13X1				*		1	
34		SM4041655SP		SCREW M4 L=16	FOR UT52					1	
35		WP0450826SC		WASHER 4.5X10X0.8	FOR UT52					1	
36		SM6061400SP		SCREW M6 L=14	FOR UT52					1	
37		WP0621016SD		WASHER 6.2X13X1	FOR UT52					1	
38		WS0610002KP		SPRING WASHER	FOR UT52					1	
39		40038326		SOLENOID_BRACKET_PIN	FOR UT52					1	

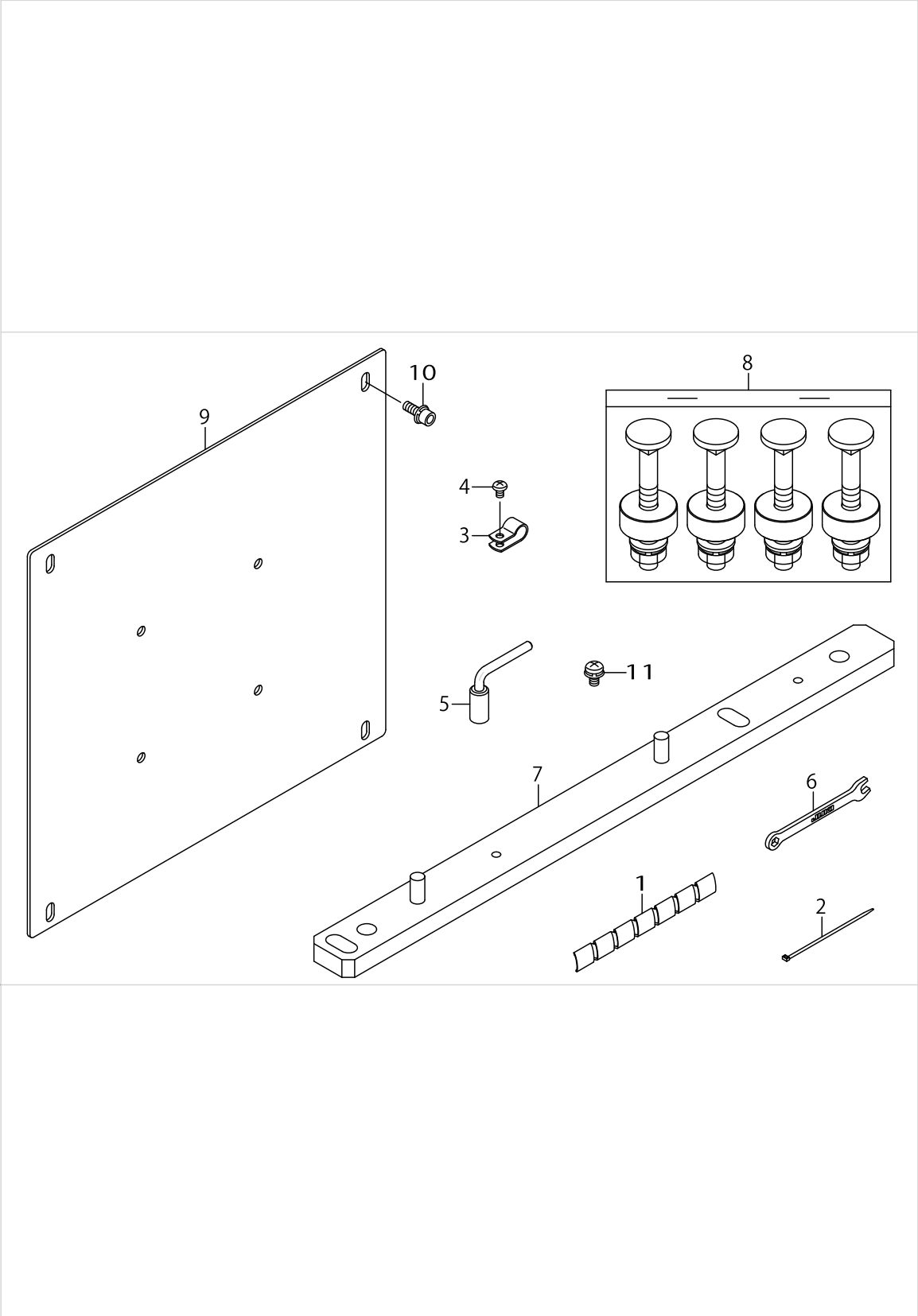
TOP COVER THREAD TRIMMER COMPONENTS



TOP COVER THREAD TRIMMER COMPONENTS

No.	Supply Code	Parts No.	Replacement	Parts name	Remarks	Choice	Step	Level	Cons	Qty	Rep. QTY
1		70001803		U_L_THREAD_TRIMMER_ASSY						1	
2		70001789		SOLENOID						1	
3		70001797		SOLENOID_BRACKET				*		1	
4		70001798		BLOCK				*		1	
5		70001972		KNIFE HOLDER				*		1	
6	R	13458500	40058211	LOWER_KNIFE		A		*		1	1.00
6	R	13458500	40029004	LOWER_KNIFE		A		*		1	1.00
7		40065510		MOVING_KNIFE				*		1	
8		70001804		MOVING_KNIFE HOLDER				*		1	
9		70003601		SPACER				*		1	
10		WP0430800SC		WASHER M4				*		2	
11		SM4850455SP		SCREW				*		3	
12		SM6040802TN		SCREW				*		2	
13		SM6041402TP		SCREW M4 L=14				*		2	
14		SM8050512TP		SCREW				*		2	
15		70001782		SHOULDER_SCREW				*		1	
16		13458401		SPRING				*		1	
17		70001783		BRACKET_2				*		1	
18		70001784		BRACKET				*		1	
19		WP0430800SC		WASHER M4				*		2	
20		WP0450826SC		WASHER 4.5X10X0.8				*		1	
21		SM6040802TN		SCREW				*		4	
22		70001969		SOLENOID_BRACKET				*		1	
23		70001970		COLLAR				*		1	
24		70001971		TENSION_LEVER				*		1	
25		SM6020600TP		SCREW				*		1	
26		SM6020350SP		SCREW M2 L=2.5				*		1	
27		SM4030655SP		SCREW				*		2	
28		SM8030450SP		SCREW M3 L=4				*		2	
29		WP0450826SC		WASHER 4.5X10X0.8						2	
30		SM6040802TN		SCREW						2	
31		HX00150000D		CABLE CLIP						2	
32		SM4040655SP		SCREW M4 L=6						2	

ACCESSORIE PARTS COMPONENTS



ACCESSORIE PARTS COMPONENTS

No.	Supply Code	Parts No.	Replacement	Parts name	Remarks	Choice	Step	Level	Cons	Qty	Rep. QTY
1		HX00314000A		SPIRAL TUBE						.6	
2		EA9500B0100		CABLE BAND						3	
3		HX00150000C		CABLE CLAMP						1	
4		SM4040655SP		SCREW M4 L=6						1	
5		40073360		WRENCH						1	
6		13160106		SPANNER (5X6)						1	
7		70001843		SUPPORT_PLATE_ASSY	FOR HALF- -SUNKEN TYPE TABLE					2	
8		40026691		ASSY_BOLT_SET(78- 00_SUBMERGED)	FOR HALF- -SUNKEN TYPE TABLE					1	
9		40094198		SC_BRACKET	FOR HALF- -SUNKEN TYPE TABLE					1	
10		SL6051492TN		BOLT	FOR HALF- -SUNKEN TYPE TABLE					4	
11		SL4051091SC		SCREW M5X0.8 L=10	FOR HALF- -SUNKEN TYPE TABLE					4	

HOW TO MAKE USE OF THIS PARTS LIST

- 1.As to "#01" and "#02" refer to the "Note" given at the bottom of the respective pages.
- 2.Codes on the "Qty" column
 - Each numeral indicates the number of parts required.
 - "0.1" and "2.5" indicate the length (in meters) of the respective parts.
- 3.Parentheses mean that the corresponding part is a subpart that constructs an assembly part.
- 4.Dotted lines on the Figures indicate assembly parts.

1. リストページの# 0 1、# 0 2の印は、ページ下の"注記"の説明を参照下さい。
2. 数量欄の数字は、個数を表し、0. 1、2. 5等の数値は、長さ（単位メートル）を表します。
3. 数量欄の（ ）は、組部品を構成している子部品であることを意味します。
4. イラストページの-----枠は、組構成であることを意味します。

ALL PARTS NOT MENTIONED IN THIS PARTS LIST ARE SAME AS THOSE OF
MODEL MF-7900. OTHER PARTS LIST RELATED TO THIS MODEL.
*MF-7900. (NO.1599 PART NO.70002009)

このパーツリスト記載以外の部品はMF-7900.と共通です。
この機種に関連するパーツリストとして下記のパーツリストがあります。
* MF-7900. (NO.1599 品番70002009)

NUMERICAL INDEX OF PARTS

PART NO	PAGE	REF NO.	PART NO	PAGE	REF NO.	PART NO	PAGE	REF NO.
13140504	8	4	40038326	14	39	40112106	6	29
13160106	18	6	40038380	12	13	40112107	6	7
13301809	2	28	40039669	12	15	40118009	6	36
13302203	2	17	40039670	12	8	40119461	4	53
13302302	2	30	40040271	12	2	70001413	4	52
13308507	6	17	40040661	12	12	70001414	2	38
13324108	6	14	40040662	12	11	70001451	6	34
13340302	8	5	40042363	8	8	70001457	4	54
13401906	2	5	40042364	8	9	70001458	6	20
13402003	2	22	40042365	8	10	70001479	12	36
13402706	2	35	40042366	8	11	70001484	4	62
13403605	2	41	40042567	12	23	70001612	8	3
13406905	6	1	40065510	16	7	70001613	8	17
13407903	6	25	40065785	8	1	70001614	8	18
13408406	6	2	40070110	10	11	70001615	8	15
13408505	6	4	40073360	18	5	70001616	8	16
13408604	6	26	40082196	2	15	70001617	8	14
13408703	6	23	40086274	10	15	70001618	8	20
13409800	2	40	40086275	10	9	70001620	8	7
13440409	10	32	40086277	10	27	70001621	8	21
13442702	12	18	40086278	10	28	70001642	4	59
13442900	12	25	40086279	10	29	70001643	4	60
13443007	12	27	40086280	10	23	70001645	4	57
13443106	12	33	40086282	10	22	70001648	2	31
13443205	12	31	40086286	10	20	70001650	2	29
13443601	12	24	40086290	10	33	70001652	2	43
13455100	14	30	40086292	10	12	70001653	2	3
13456108	8	23	40086293	10	5	70001655	2	2
13456207	8	24	40086294	10	3	70001657	2	1
13456405	8	28	40086295	10	6	70001661	2	10
13456603	8	27	40086296	10	7	70001662	10	2
13458401	16	16	40086298	10	30	70001663	2	20
13458500	16	6	40086299	10	31	70001667	2	12
22901805	12	42	40086300	10	21	70001668	2	24
26019000	8	6	40086301	10	18	70001670	2	25
40017824	6	6	40086302	10	34	70001671	2	33
40021746	12	39	40086303	10	4	70001673	4	50
40026691	18	8	40086308	10	25	70001678	2	44
40026935	12	3	40086759	14	10	70001681	6	42
40030478	14	20	40094198	18	9	70001682	6	22
40032444	14	21	40097664	12	14	70001683	6	24
40032445	14	22	40097665	12	19	70001684	6	11
40032447	14	28	40101602	8	12	70001685	6	12
40032703	14	27	40102003	8	13	70001686	6	15
40038259	12	35	40112105	6	38	70001692	6	10

NUMERICAL INDEX OF PARTS

PART NO	PAGE	REF NO.	PART NO	PAGE	REF NO.	PART NO	PAGE	REF NO.
70001777	12	29	PS0300122KH	6	27	SM6030800SP	2	45
70001779	14	16	RE0300000K0	8	30	SM6040650TP	10	37
70001782	16	15	RO037180100	2	9	SM6040750TP	2	19
70001783	16	17	SB115002300	6	9	SM6040800SP	2	21
70001784	16	18	SD0550906TP	6	13	SM6040802TN	16	30
70001789	16	2	SD0700586TP	14	18	SM6041202TP	12	37
70001792	14	1	SD0700706TP	12	38	SM6041402TP	16	13
70001793	14	5	SD0800327TP	14	15	SM6050800SP	2	42
70001795	14	9	SD0800706TP	14	17	SM6050800SP	14	6
70001797	16	3	SL4051091SC	18	11	SM6051002TP	6	41
70001798	16	4	SL6042092TN	4	55	SM6051002TP	12	26
70001799	10	36	SL6051492TN	18	10	SM6061010TP	12	6
70001800	10	17	SL6052592TN	6	37	SM6061010TP	14	2
70001801	10	19	SM1020450TP	10	24	SM6061200SP	14	32
70001802	10	1	SM1030400SP	4	58	SM6061202TP	12	28
70001803	16	1	SM1030501SN	2	26	SM6061400SP	14	36
70001804	16	8	SM1040800SP	2	34	SM6061402TP	12	20
70001805	14	4	SM1040860SP	2	23	SM6061602TP	12	41
70001843	18	7	SM4030655SP	16	27	SM8030412TP	8	26
70001969	16	22	SM4030855SN	12	40	SM8030450SP	16	28
70001970	16	23	SM4040501SN	12	1	SM8040360TP	2	36
70001971	16	24	SM4040501SN	14	8	SM8040360TP	8	29
70001972	16	5	SM4040655SP	2	51	SM8040412TP	2	32
70003278	6	16	SM4040655SP	4	51	SM8041012TP	2	13
70003317	6	40	SM4040655SP	6	35	SM8050412TP	6	30
70003601	16	9	SM4040655SP	8	22	SM8050412TP	12	22
70004184	6	33	SM4040655SP	12	44	SM8050512TP	16	14
70004245	14	19	SM4040655SP	16	32	SM8050602TP	14	29
70004246	14	31	SM4040655SP	18	4	SM8050612TP	6	5
B1515210D00	12	16	SM4040855SP	2	61	SM8060552TP	6	18
CQ300000001	6	28	SM4040855SP	4	61	SM8060812TP	6	31
CS0800881TP	12	21	SM4040855SP	12	34	SM8060842TP	6	32
EA9500B0100	18	2	SM4041055SP	2	48	SM8550952TP	6	39
GAK3303600A	14	26	SM4041055SP	4	48	TA0980502R0	10	35
HX00150000C	18	3	SM4041055SP	8	19	WP0420516KH	10	10
HX00150000D	12	43	SM4041655SP	8	2	WP0430800SC	16	19
HX00150000D	16	31	SM4041655SP	14	34	WP0431005SP	10	13
HX00314000A	18	1	SM4050655SP	12	9	WP0450801SC	4	47
HX00314000D	2	37	SM4051055SP	14	23	WP0450801SC	14	7
NM6040000SN	2	14	SM4051455SP	4	56	WP0450826SC	14	35
NM6040001SC	4	49	SM4060801SE	14	3	WP0450826SC	16	29
NM6040001SP	10	14	SM4850455SP	16	11	WP0550800SP	12	10
NM6050001SP	10	8	SM6020350SP	10	26	WP0550800SP	14	25
NM6050001SP	14	14	SM6020350SP	16	26	WP0560860SE	12	17
PH0300252C0	2	7	SM6020600TP	16	25	WP0612516SD	14	11

NUMERICAL INDEX OF PARTS

PART NO	PAGE	REF NO.
WP0621016SD	12	7
WP0621016SD	14	37
WS0510002KP	2	39
WS0510002KP	14	24
WS0610002KN	14	13
WS0610002KP	14	38
WT0430002KN	12	45