

MODEL : MF-7900D SERIES

List No : 1619-01

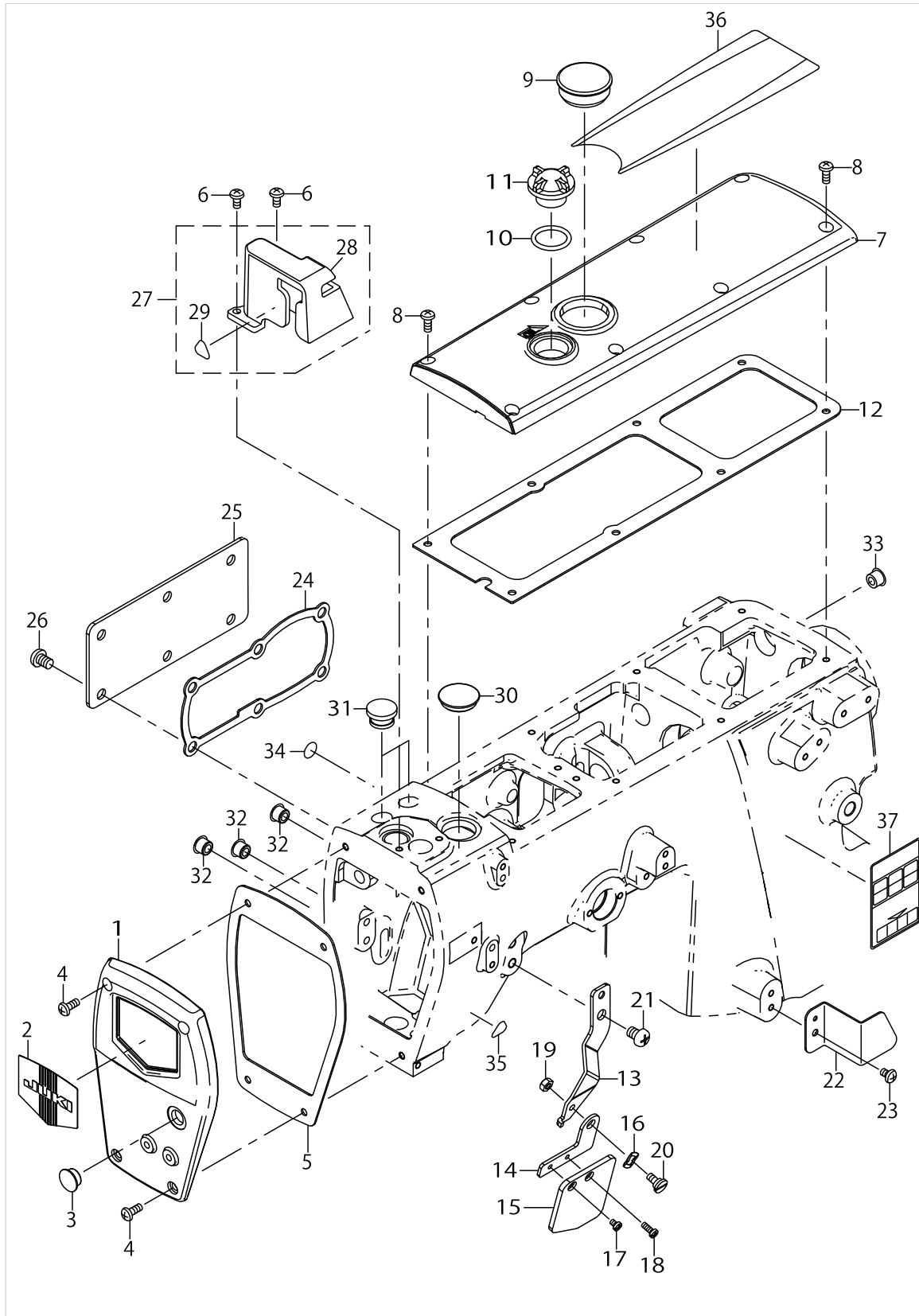
PARTS LIST

Published:05/12/2017

CONTENTS

MISCELLANEOUS COVER COMPONENTS (1).....	1
MISCELLANEOUS COVER COMPONENTS (2).....	3
MAIN SHAFT COMPONENTS	7
NEEDLE BAR & PRESSER COMPONENTS.....	11
FEED DRIVE COMPONENTS (1)	15
FEED DRIVE COMPONENTS (2)	21
THREAD TAKE-UP LEVER COMPONENTS.....	25
SPREADER COMPONENTS.....	29
LOWER THREAD CAM COMPONENTS.....	31
NEEDLE GUARD COMPONENTS	33
LOOPER COMPONENTS	35
THREAD TENSION COMPONENTS	39
LUBRICATION COMPONENTS	41
THREAD STAND COMPONENTS.....	45
NEEDLE COOLING COMPONENTS	47
GAUGE PARTS COMPONENTS	49
ACCESSORIES PARTS COMPONENTS	51
HOW TO MAKE USE OF THIS PARTS LIST	55

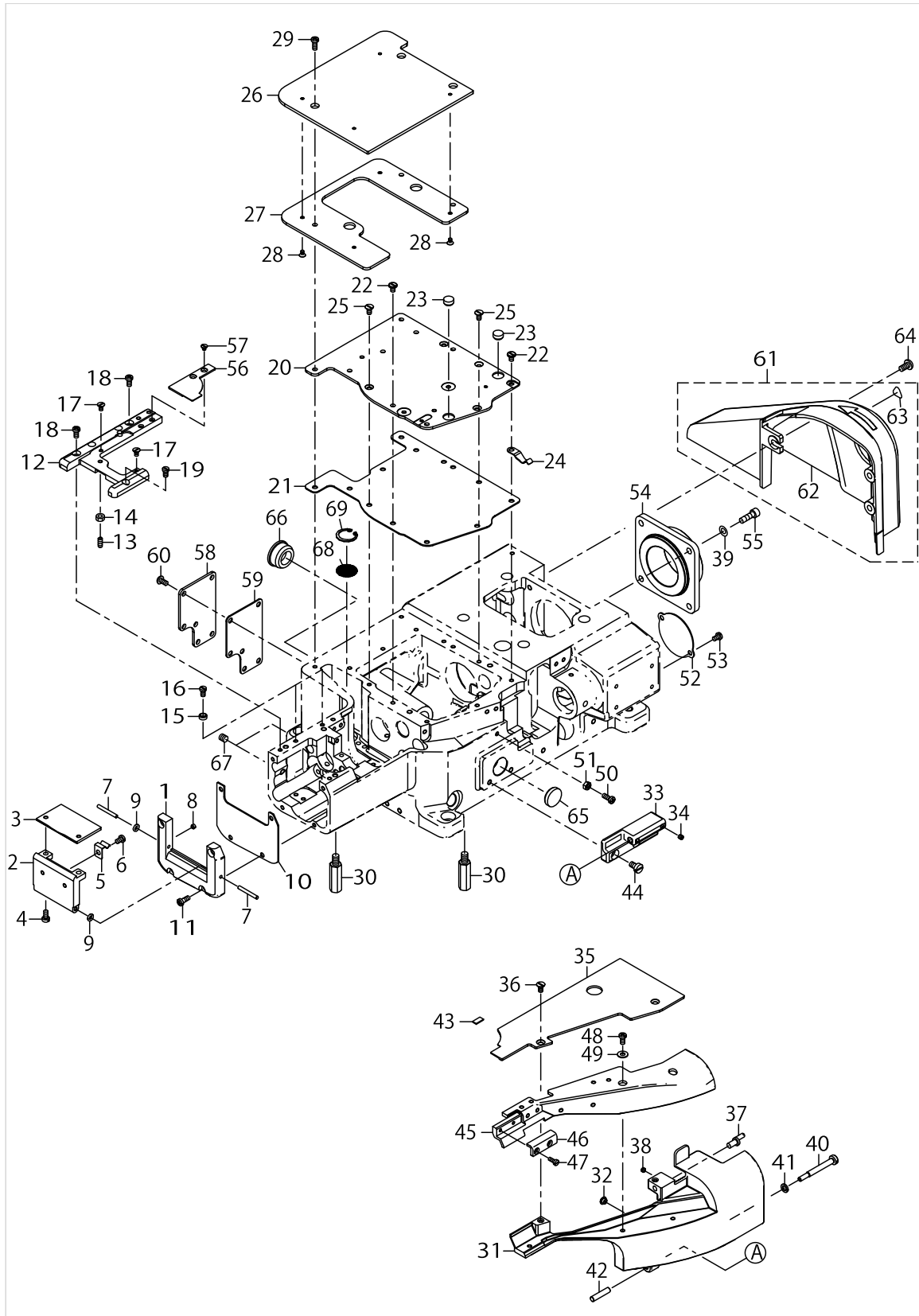
MISCELLANEOUS COVER COMPONENTS (1)



MISCELLANEOUS COVER COMPONENTS (1)

No.	Supply Code	Parts No.	Replacement	Parts name	Remarks	Choice	Step	Level	Cons	Qty	Rep. QTY
1		70001411		FACE COVER						1	
2		22902506		PLATE						1	
3		TA1050504R0		RUBBER PLUG						1	
4		SM4041055SP		SCREW						4	
5		70001416		GASKET H						1	
6		SM4040855SP		SCREW						2	
7		70001409		TOP COVER						1	
8		SM4041055SP		SCREW						8	
9		10753309		WINDOW PLATE RUBBER PLUG						1	
10		RO195240100		O-RING						1	
11		22924708		OIL SIGHT WINDOW						1	
12		13300801		GASKET T						1	
13		70001421		BRACKET HOLDER						1	
14		40033341		BRACKET						1	
15		13301700		PROTECTION SHIELD						1	
16		WZ0641510KP		WAVED WASHER 6.4X11X0.3						1	
17		SM4030455SN		SCREW						1	
18		SM4030855SN		SCREW M3 L=8.0						1	
19		NM6040000SN		NUT M4						1	
20		SD0640246SP		SHOULDER SCREW D=6.35 H=2.4						1	
21		SM4060801SE		SCREW						1	
22		70001677		THREAD_COVER						1	
23		SM4040655SP		SCREW M4 L=6						1	
24		13301205		GASKET P						1	
25		13301106		PULLER DRIVE COVER						1	
26		SM4060801SE		SCREW						6	
27		70001837		NEEDLE BAR GUARD ASSY						1	
28		70001407		NEEDLE BAR GUARD				*		1	
29		CM300200001		FINGER INJURY CAUTION LABEL (16)				*		1	
30		TA2050406R0		RUBBER PLUG						1	
31		TA1250705R0		RUBBER PLUG						2	
32		TA0850604R0		RUBBER PLUG						3	
33		TA0850604R0		RUBBER PLUG						1	
34		22901805		GROUND MARK						1	
35		CM300200001		ATTENTION SEAL						1	
36		70001430		SEMI DRY LABEL						1	
37		CM301200001		SAFETY LABEL S						1	

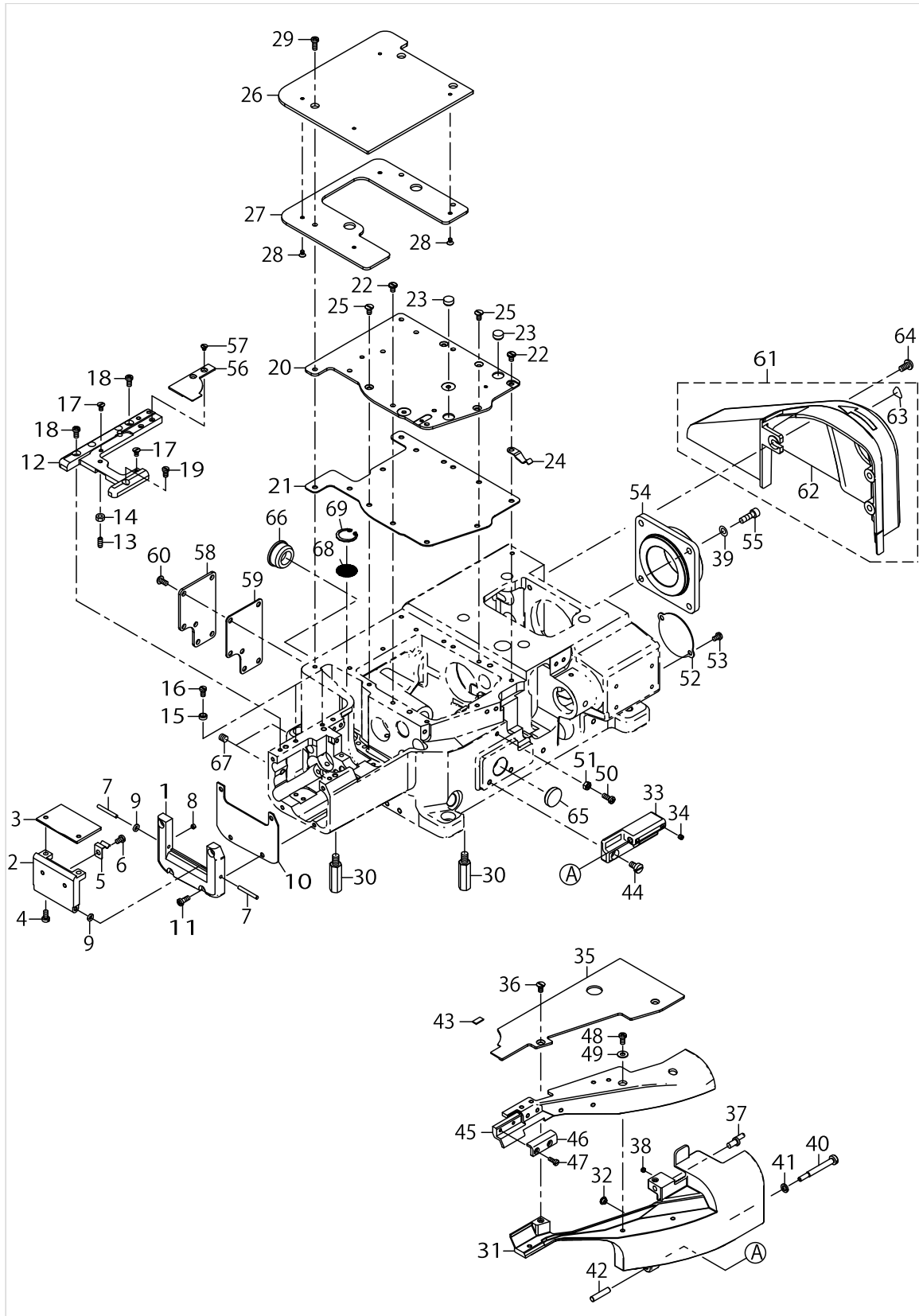
MISCELLANEOUS COVER COMPONENTS (2)



MISCELLANEOUS COVER COMPONENTS (2)

No.	Supply Code	Parts No.	Replacement	Parts name	Remarks	Choice	Step	Level	Cons	Qty	Rep. QTY
1		70001657		CYLINDER COVER						1	
2		70001655		SIDECOVERBOTTOM						1	
3		70001653		SIDE COVER UPPER						1	
4		SM6040800SP		SCREW						2	
5		13401906		LATCH SPRING 2						1	
6		SM4040655SP		SCREW M4 L=6						1	
7		PH0300252C0		PARALLEL PIN TYPE B 3X25						2	
8		SM8040360TP		SCREW						2	
9		RO037180100		RUBBER RING						2	
10		70001661		GASKET						1	
11		SM4041055SP		SCREW						4	
12		70001667		THROAT PLATE SUPPORT						1	
13		SM8041012TP		SCREW M4 L=10						1	
14		NM6040000SN		NUT M4						1	
15		40082196		ADJUSTING COLLAR						2	
16		SM6040750TP		SCREW M4 L=7						2	
17		13302203		SCREW						2	
18		SM4040855SP		SCREW						2	
19		SM6040750TP		SCREW M4 L=7						1	
20		70001662		COVER PLATE						1	
21		70001663		GASKET B						1	
22		SM6040800SP		SCREW						6	
23		TA0980502R0		RUBBER PLUG						2	
24		13402003		LATCH SPRING						1	
25		SM1040860SP		SCREW						4	
26		70001668		CLOTH PLATE REAR						1	
27		70001670		CLOTH PLATE REAR LOWER						1	
28		SM1030501SN		SCREW						2	
29		SM4041055SP		SCREW						3	
30		13301809		SUPPORT STUD						4	
31		70001650		SWING DOWN COVER						1	
32		13302302		RUBBER BUMPER						1	
33		70001648		HINGE						1	
34		SM8040412TP		SET SCREW M4 L=4						2	
35		70001671		CLOTHPLATEFRONT						1	
36		SM1040800SP		SCREW						2	
37		13402706		PIN FOR COVER						1	
38		SM8040360TP		SCREW						1	
39		WP0531000SD		WASHER M5						4	
40		70001414		SCREW						1	
41		WS0510002KP		SPRING WASHER 5.1X9.2X1.3						1	
42		13409800		DIFF LINK PIN						1	
43		13403605		RUBBER_PLATE						1	
44		SM6050800SP		SCREW M5 L=8						2	
45		70001652		BRACKET						1	
46		70001678		BRACKET						1	

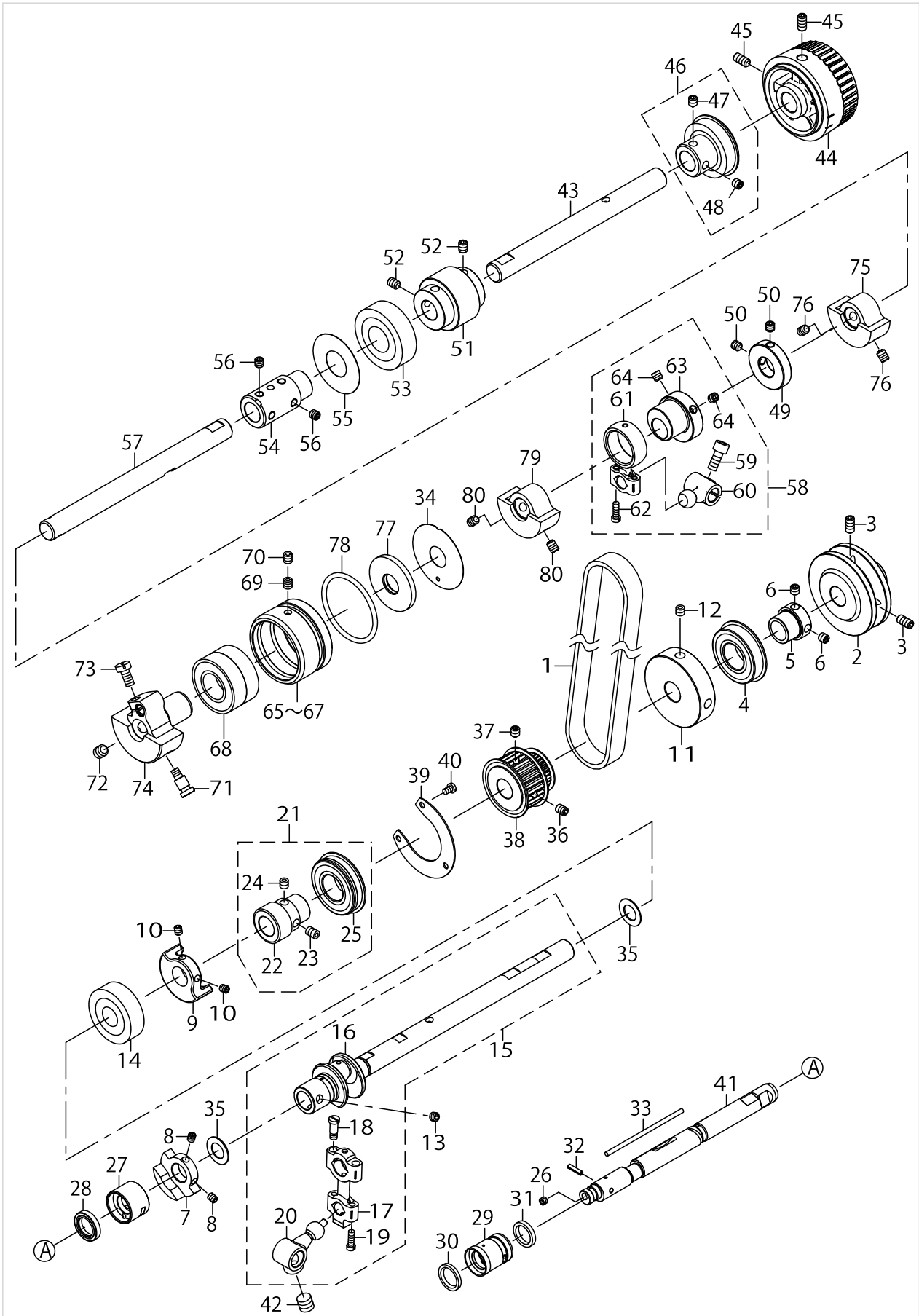
MISCELLANEOUS COVER COMPONENTS (2)



MISCELLANEOUS COVER COMPONENTS (2)

No.	Supply Code	Parts No.	Replacement	Parts name	Remarks	Choice	Step	Level	Cons	Qty	Rep. QTY
47		SM6030800SP		SCREW M3X0.5 L=8						2	
48		SM4040855SP		SCREW						2	
49		WP0450801SC		WASHER 4.5X10X0.8						2	
50		SM4041055SP		SCREW						1	
51		NM6040000SN		NUT M4						1	
52		70001673		LOOPER THD COVER						1	
53		SM4040655SP		SCREW M4 L=6						2	
54		70001436		HOUSING						1	
55		SM6051602TP		SCREW M5X0.8 L=16						4	
56	R	70001645	13401401	THROAT PLATE SUPPORT COVER						1	1.00
57		SM1030400SP		SCREW M3 L=4						2	
58		70001642		COVER FOR FEED ADJUST						1	
59		70001643		COVER FOR FEED ADJUST PACKING						1	
60		SM4040855SP		SCREW						6	
61		70001831		DRIVING BELT COVER ASSY						1	
62		70001830		DRIVINGBELTCOVER				*		1	
63		CM300200001		ATTENTION SEAL				*		1	
64		SM4051055SP		SCREW						1	
65		TA2000502R0		RUBBER PLUG						1	
66		TA2351004R0		RUBBER PLUG						1	
67		SM8060612TP		SCREW M6 L=6						2	
68		13426903		MESH PLATE						1	
69		RC1900002KP		C-RING						1	

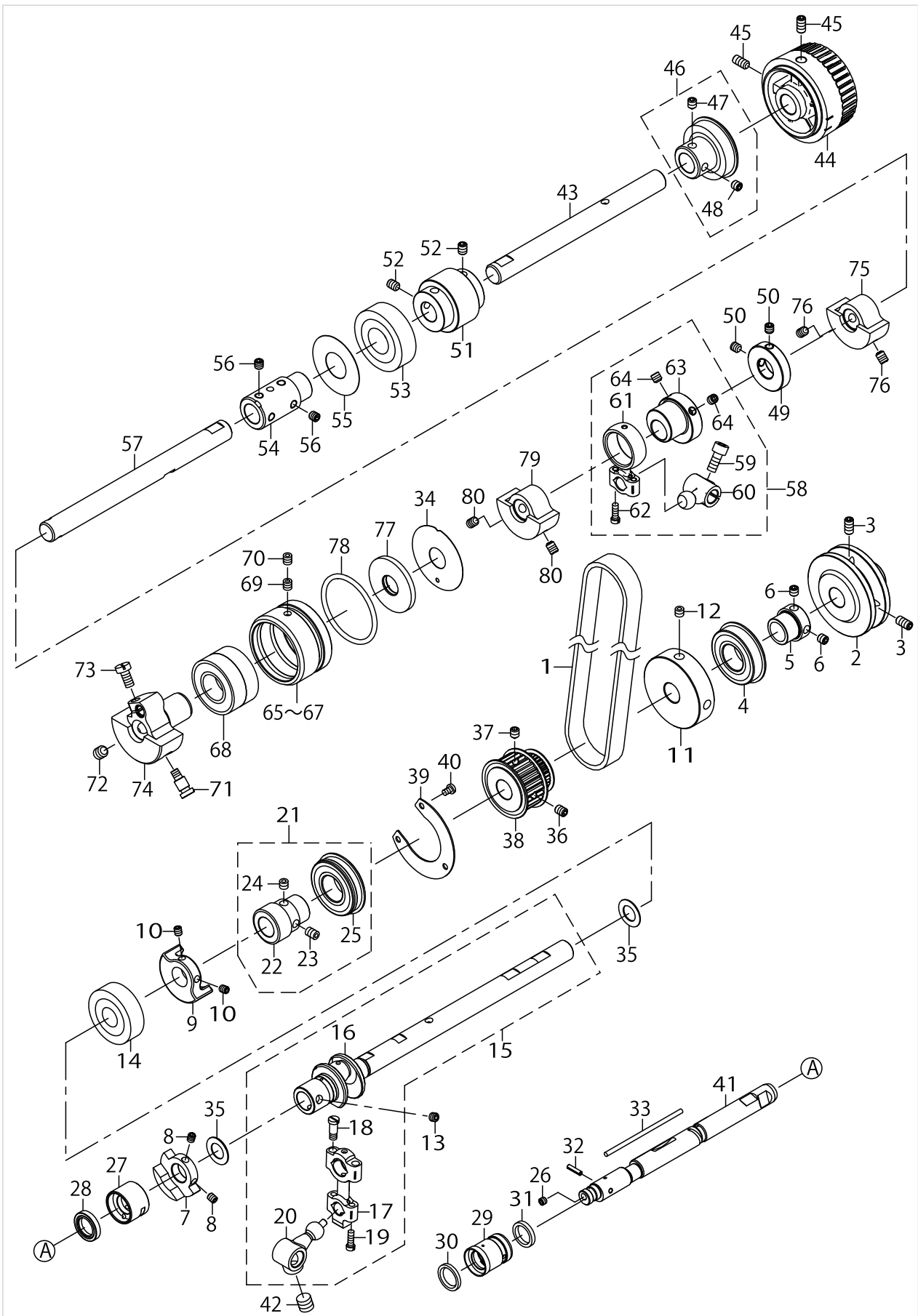
MAIN SHAFT COMPONENTS



MAIN SHAFT COMPONENTS

No.	Supply Code	Parts No.	Replacement	Parts name	Remarks	Choice	Step	Level	Cons	Qty	Rep. QTY
1		13406905		TIMING_BELT						1	
2		13406707		LOWER_PULLEY						1	
3		SM8061212TP		SCREW M6X12						2	
4		SB120001800		BEARING						1	
5		13407408		COUPLING E						1	
6		SM8060612TP		SCREW M6 L=6						2	
7		13408406		BALANCE_WEIGHT_LMS_1						1	
8		SM8050612TP		SCREW M5X6						2	
9		13408505		BALANCE_WEIGHT_LMS_2						1	
10		SM8050612TP		SCREW M5X6						2	
11		70003316		FLY_WHEEL						1	
12		SM8060612TP		SCREW M6 L=6						2	
13		SM8060552TP		SCREW M6 L=5						2	
14		SB115002300		BEARING						1	
15		70001680		LMS_RIGHT_ROD_ASSY						1	
16	R	70001687	70001680	LMS_RIGHT				*		1	1.00
17		70001685		LOOPER_ROD				*		1	
18		SD0550906TP		SHOULDER SCREW				*		2	
19		13324108		SCREW				*		2	
20		70001686		CRANK				*		1	
21		70003278		LMS_WORM_ASSY						1	
22		13308507		COUPLING D				*		1	
23		SM8060552TP		SCREW M6 L=5				*		2	
24		SM8060842TP		SCREW M6 L=8				*		1	
25	R	70001458	70003278	BEARING				*		1	1.00
26		SM8050412TP		SCREW M5 L=4						1	
27		70001682		BUSHING_LMS_MIDDLE						1	
28		13408703		OIL_SEAL						1	
29		70001683		BUSHING_LMS_LEFT						1	
30		13407903		OIL SEAL						1	
31		13408604		FELT_LMS_LEFT_BUSH						1	
32		PS0300122KH		SPRING PIN 3X12						1	
33		CQ300000001		OIL WICK						.075	
34		40081965		OIL_BLOCK_PLATE						1	
35		40017824		LOOPER LOD STOPPER						2	
36		SM8060812TP		SCREW M6 L=8						1	
37		SM8060842TP		SCREW M6 L=8						1	
38		70004184		LMS_SPROCKET						1	
39		70001451		THRUST_PLATE						1	
40		SM4040655SP		SCREW M4 L=6						3	
41		70001681		LOWER_MAINSHAFT_LEFT						1	
42		SM8550952TP		SCREW						1	
43		70001437		UPPER_MAINSHAFT_RIGHT						1	
44		70001439		UPPER_PULLEY						1	
45		SM8061212TP		SCREW M6X12						2	
46		13307251		BEARING ASSY A						1	

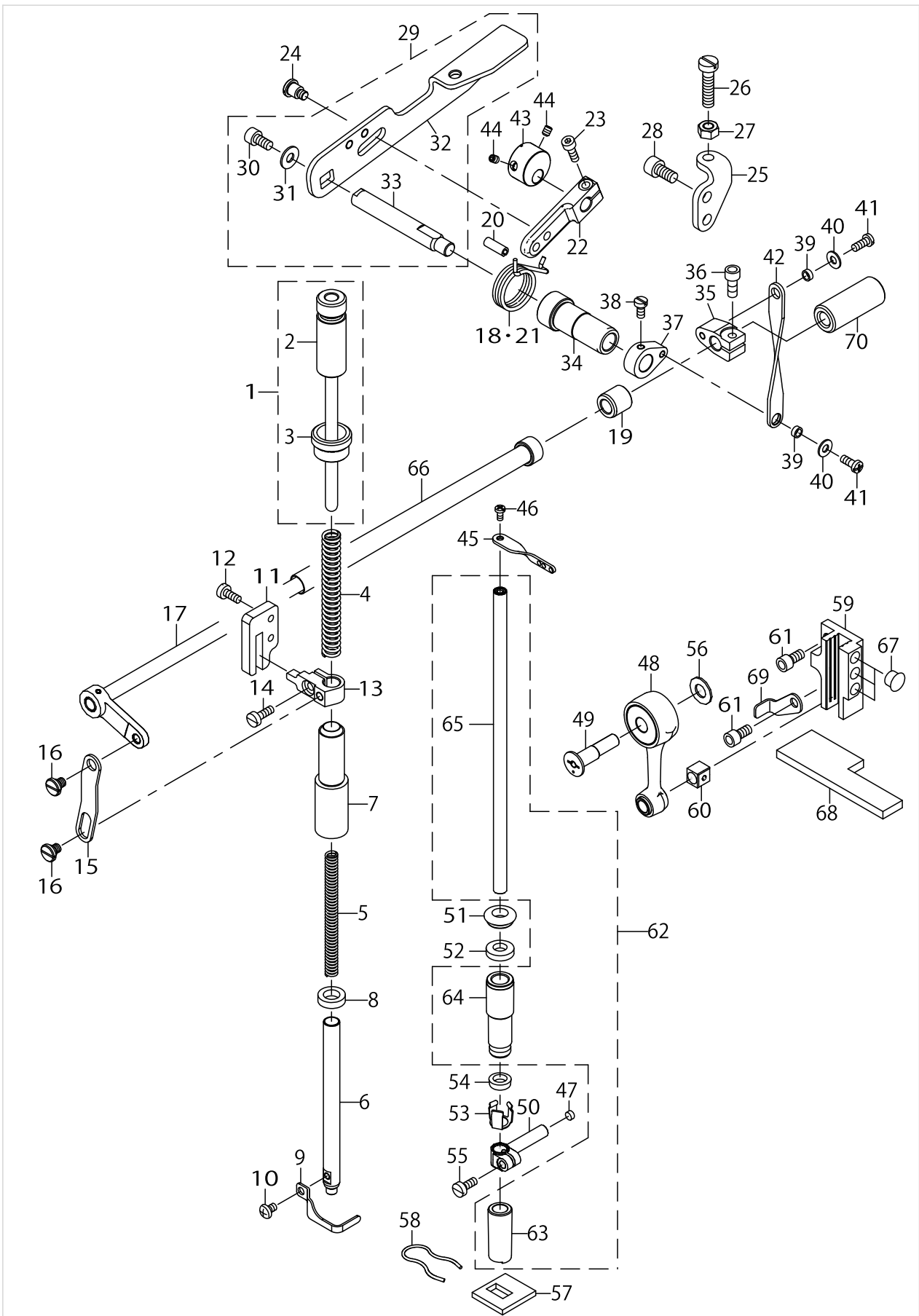
MAIN SHAFT COMPONENTS



MAIN SHAFT COMPONENTS

No.	Supply Code	Parts No.	Replacement	Parts name	Remarks	Choice	Step	Level	Cons	Qty	Rep. QTY
47		SM8060842TP		SCREW M6 L=8				*		1	
48		SM8060612TP		SCREW M6 L=6				*		1	
49		70001443		COLLAR						1	
50		SM8060612TP		SCREW M6 L=6						2	
51		13307301		UMS_SPROCKET						1	
52		SM8060812TP		SCREW M6 L=8						4	
53		SB120002200		BEARING						1	
54		70001440		COUPLING_B						1	
55		70001638		BEARING_COVER_PLATE						1	
56		SM8060612TP		SCREW M6 L=6						4	
57		70001454		UPPER_MAINSHAFT_LEFT_DRY						1	
58		70001442		TAKE_UP_ROD_ASSY						1	
59		SM6061402TP		SCREW M6 L=14				*		1	
60		70001535		CRANK				*		1	
61		70001536		ROD				*		1	
62		13324108		SCREW				*		2	
63		70001444		TAKE_UP_ECCENTRIC				*		1	
64		SM8060612TP		SCREW M6 L=6				*		2	
65		40078278		HOUSING_A	SELECTIVE PARTS					1	
66		40078279		HOUSING_B	SELECTIVE PARTS					1	
67		40078280		HOUSING_C	SELECTIVE PARTS					1	
68		SB120001900		BEARING						1	
69		SM8060842TP		SCREW M6 L=8						1	
70		SM8060612TP		SCREW M6 L=6						1	
71		13309208		SCREW_FOR_COUNTERWEIGHT						1	
72		SM8080812TP		SCREW M8X8						1	
73		SM6061200SP		SCREW						1	
74		70001432		COUNTER_WEIGHT_DRY						1	
75		13408307		BALANCE_WEIGHT_UMS	EXCEPT PL11,PL12					1	
76		SM8060812TP		SCREW M6 L=8	EXCEPT PL11,PL12					2	
77		40078282		OIL SEAL						1	
78		RO445300100		RUBBER RING						1	
79		13408307		BALANCE_WEIGHT_UMS	FOR PL11,PL12					1	
80		SM8060812TP		SCREW M6 L=8	FOR PL11,PL12					2	

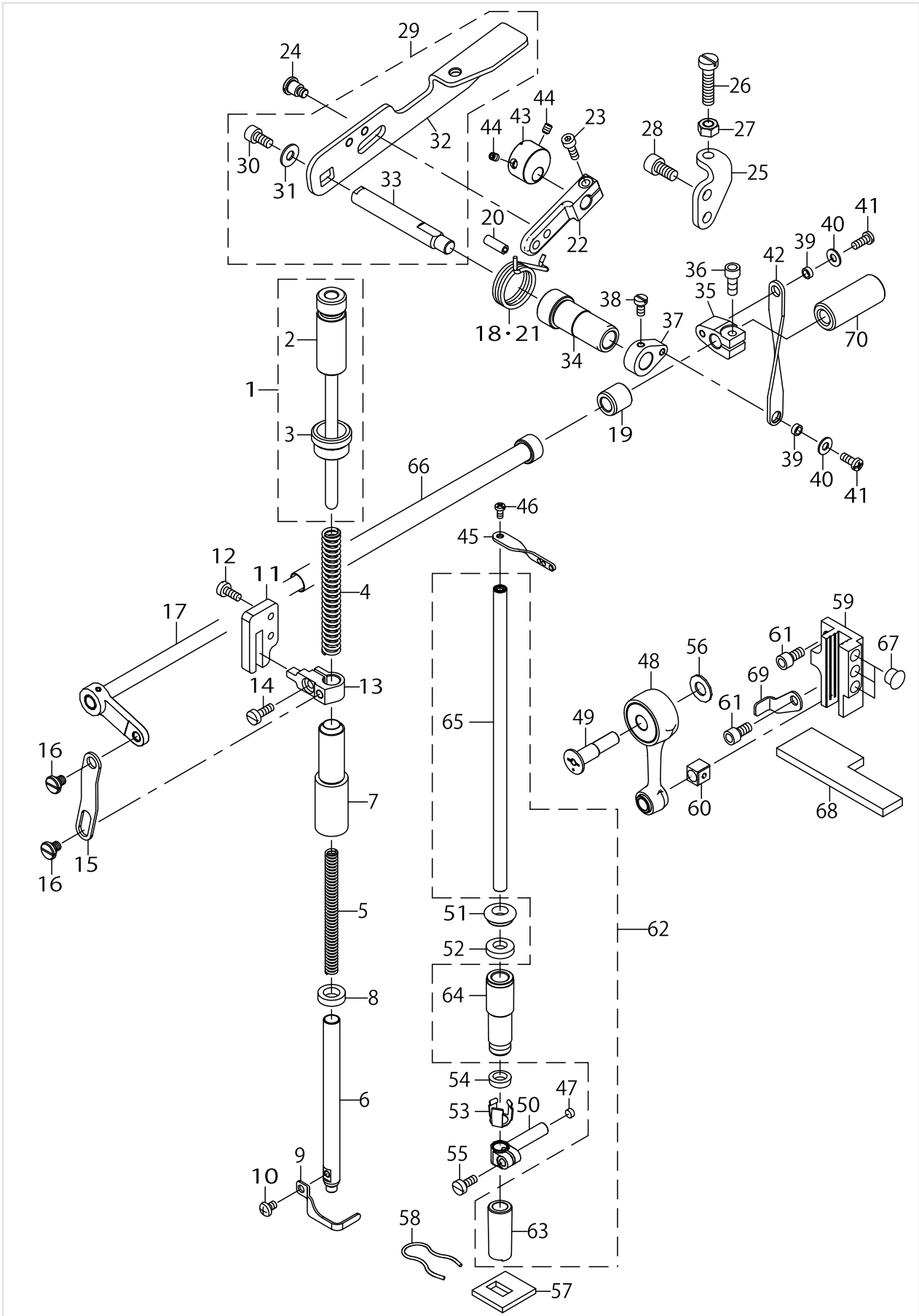
NEEDLE BAR & PRESSER COMPONENTS



NEEDLE BAR & PRESSER COMPONENTS

No.	Supply Code	Parts No.	Replacement	Parts name	Remarks	Choice	Step	Level	Cons	Qty	Rep. QTY
1		40070574		ADJ SCREW P B NUT ASSY						1	
2		40070573		ADJ SCREW P B ASSY				*		1	
3	R	13313101	13313068	LOCKING NUT				*		1	1.00
4		13313309		SPRING PRESSER BAR A						1	
5		70001480		SPRING PRESSER BAR B						1	
6		70001481		PRESSER BAR						1	
7		70001499		BUSHING_PRESSER_BAR						1	
8		13315908		OIL SEAL						1	
9		70001483		FINGER GUARD						1	
10		SM4040655SP		SCREW M4 L=6						1	
11		13313804		GUIDE PLATE						1	
12		SM6041000SP		SCREW M4 L=10						2	
13		70001485		PRESSER BAR BRACKET						1	
14		SM6041200SP		SCREW M4 L=12						1	
15		13314109		LINK						1	
16		SD0700206TP		SHOULDER SCREW D=7 H=2						2	
17		40078307		ASSY LIFTER SHAFT DRY						1	
18		13315205		SPRING LIFTER LEVER	FOR UT52					1	
19		70001486		BUSHING LIFTER FRONT						1	
20		PS0500142KP		SPRING PIN TYPE W 5X14						1	
21		70001498		SPRING LIFTER LEVER	EXCEPT UT52					1	
22		70001494		TENSION RELEASE LEVER						1	
23		SM6041202TP		SCREW M4X0.7 L=12						1	
24		SD0700586TP		SHOULDER SCREW D=7 H=5.8						1	
25		70001495		LIFTER LEVER STOPPER						1	
26		SM6062550TP		SCREW M6 L=25						1	
27		NM6060001CP		NUT M6X1 TYPE1						1	
28		SM6061202TP		SCREW M6 L=12						2	
29		70001487		LIFTER LEVER ASSY						1	
30		SM6051002TP		SCREW M5X0.8 L=10				*		1	
31		WP0551016SH		WASHER 5.5X13X1				*		1	
32		70001488		LIFTER LEVER				*		1	
33		70001489		LIFTER LEVER SHAFT				*		1	
34		70001490		BUSHING LIFTER LEVER						1	
35		70001478		LIFTER SHAFT LEVER						1	
36		SM6051202TP		SCREW M5X0.8 L=12						1	
37		70001477		LIFTER LEVER COLLAR						1	
38		SM6040800SP		SCREW						1	
39		70001491		SPACER						2	
40		WP0450826SC		WASHER 4.5X10X0.8						2	
41		SM4041055SP		SCREW						2	
42		70001492		LIFTER LEVER LINK						1	
43		70001493		MINUTES LIFTING COLLAR						1	
44		SM8040512TP		SCREW						2	
45		13326806		NEEDLE BAR EYELET						1	
46		SM4030855SN		SCREW M3 L=8.0						1	

NEEDLE BAR & PRESSER COMPONENTS



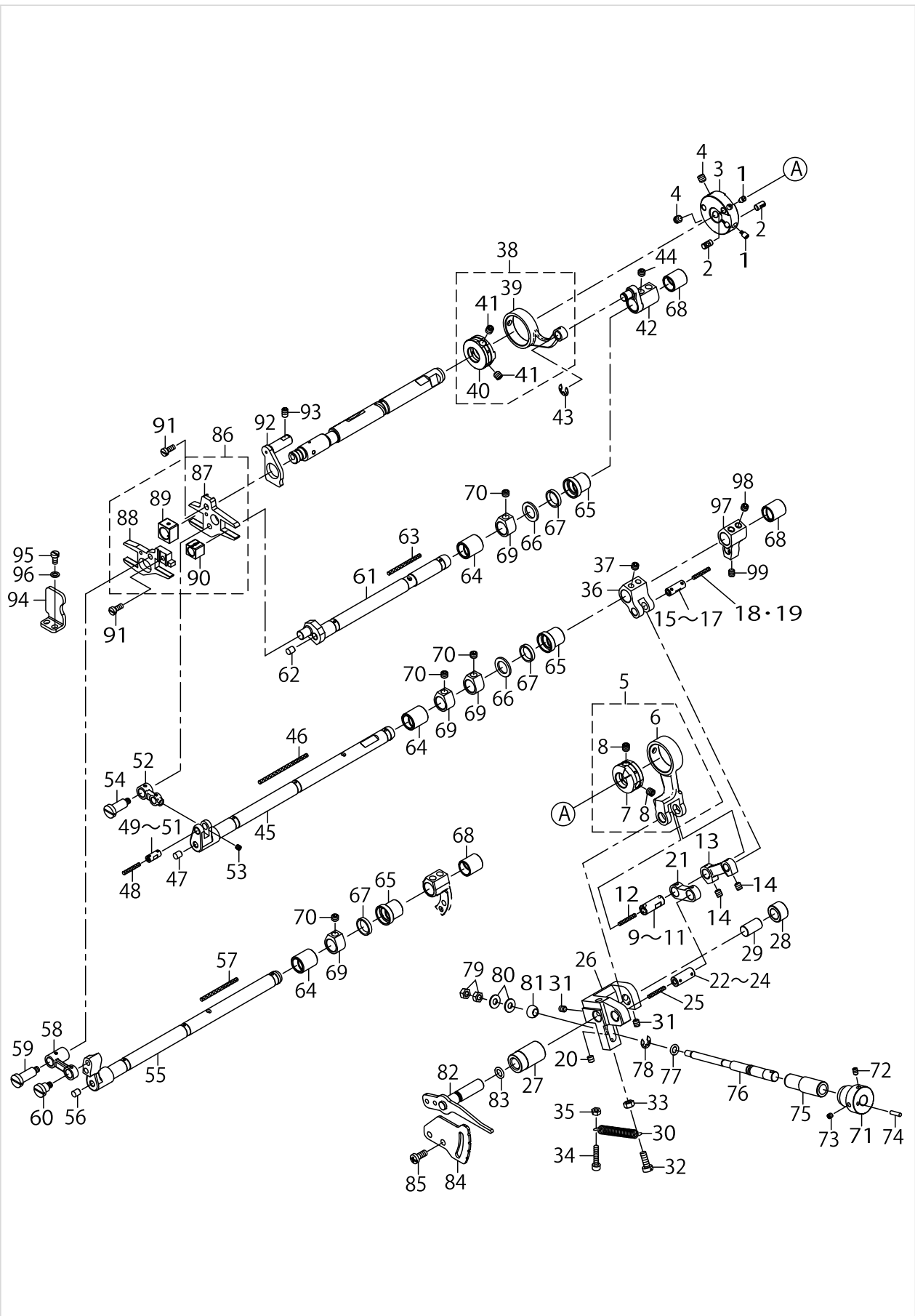
NEEDLE BAR & PRESSER COMPONENTS

No.	Supply Code	Parts No.	Replacement	Parts name	Remarks	Choice	Step	Level	Cons	Qty	Rep. QTY
47		40078293		PLUG						1	
48		70001465		ASSY NEEDLE CRANK ROD						1	
49		70001462		ECCENTRIC PIN DRY						1	
50		40078292		NEEDLEBARCLAMP						1	
51		40078305		BUSHING NB U PRESSER A						1	
52		40078302		BUSHING NB U FELT A						1	
53		40078306		BUSHING NB U PRESSER B						1	
54		40078303		BUSHING NB U FELT B						1	
55		SM6041000SP		SCREW M4 L=10						1	
56		40078291		WASHER						1	
57		40078301		BUSHING NB L FELT						1	
58		40078304		BUSHING NB L PRESSER						1	
59		70001463		NEEDLE BAR GUIDE						1	
60		40078295		SLIDE BLOCK						1	
61		SM6051202TP		SCREW M5X0.8 L=12						3	
62		40078317		ASSY BUSHING NB DRY						1	
63		40078299		BUSHING NB LOWER				*		1	
64		40078300		BUSHING NB UPPER				*		1	
65	R	40078296	40078317	NEEDLE BAR ASSY				*		1	1.00
66		40078320		PIPE ASSY						1	
67		TA0850604R0		RUBBER PLUG						4	
68		40087083		FELT						1	
69		40087101		FELT PRESSER						1	
70		70001500		BUSHING_LIFTER_REAR						1	

FEED DRIVE COMPONENTS (1)

No.	Supply Code	Parts No.	Replacement	Parts name	Remarks	Choice	Step	Level	Cons	Qty	Rep. QTY
1		70001524		FEED ECCENTRIC SCREW						2	
2		70001525		FEED ECCENTRIC PIN						2	
3		70001697		POSITIONING CAM						1	
4		SM8060612TP		SCREW M6 L=6						2	
5		70001720		FEED ECCENTRIC HORIZON						1	
6		70001700		CRANK ROD				*		1	
7	R	70001715	70001720	FEED ECCENTRIC HORIZON				*		1	1.00
8		SM8060612TP		SCREW M6 L=6				*		2	
9		13323308		FEED ADJ LINK PIN A	SELECTIVE PARTS					1	
10		13323407		FEED ADJ LINK PIN B	SELECTIVE PARTS					1	
11		13323506		FEED ADJ LINK PIN C	SELECTIVE PARTS					1	
12		CQ303000000		OIL WICK						.07	
13		13410204		MAIN ADJ LINK						1	
14		SM8050612TP		SCREW M5X6						2	
15		13318704		MAIN FEED CRANK PIN A	SELECTIVE PARTS					1	
16		13318803		MAIN FEED CRANK PIN B	SELECTIVE PARTS					1	
17		13318902		MAIN FEED CRANK PIN C	SELECTIVE PARTS					1	
18		CQ202000000		OIL WICK						.02	
19		CQ303000000		OIL WICK						.04	
20		SM8050612TP		SCREW M5X6						1	
21		13317300		ADJUST LINK						1	
22		13410600		FEED ADJ LINK PIN A	SELECTIVE PARTS					1	
23		13410709		FEED ADJ LINK PIN B	SELECTIVE PARTS					1	
24		13410808		FEED ADJ LINK PIN C	SELECTIVE PARTS					1	
25		CQ303000000		OIL WICK						.07	
26		13415708		FEED ADJ BLOCK						1	
27		70001702		BUSHING MAIN FEED ADJ						1	
28		70001703		BUSHING MAIN FEED ADJ						1	
29		13415906		SHAFT FEED ADJ BLOCK						1	
30		B2546232000		PRESSURE SPRING						1	
31		SM8050612TP		SCREW M5X6						4	
32		SM6051400SP		SCREW						1	
33		NM6050001SC		NUT M5X0.8 TYPE1						1	
34		SM6042002TP		SCREW M4X0.7 L=20						1	
35		NM6040000SN		NUT M4						1	
36		13411509		MAIN FEED CRANK						1	
37		SM8060552TP		SCREW M6 L=5						2	
38		70001721		FEED ECCENTRIC VERTICAL						1	
39		70001701		FEED LIFT ROD				*		1	
40	R	70001716	70001721	FEED ECCENTRIC VERTICAL				*		1	1.00
41		SM8060612TP		SCREW M6 L=6				*		2	
42		13414404		FEED LIFT LEVER						1	
43		RE0500000K0		E-RING						1	
44		SM8060552TP		SCREW M6 L=5						2	
45		70001765		MAIN FEED SHAFT						1	
46		CQ300000001		OIL WICK						1.5	

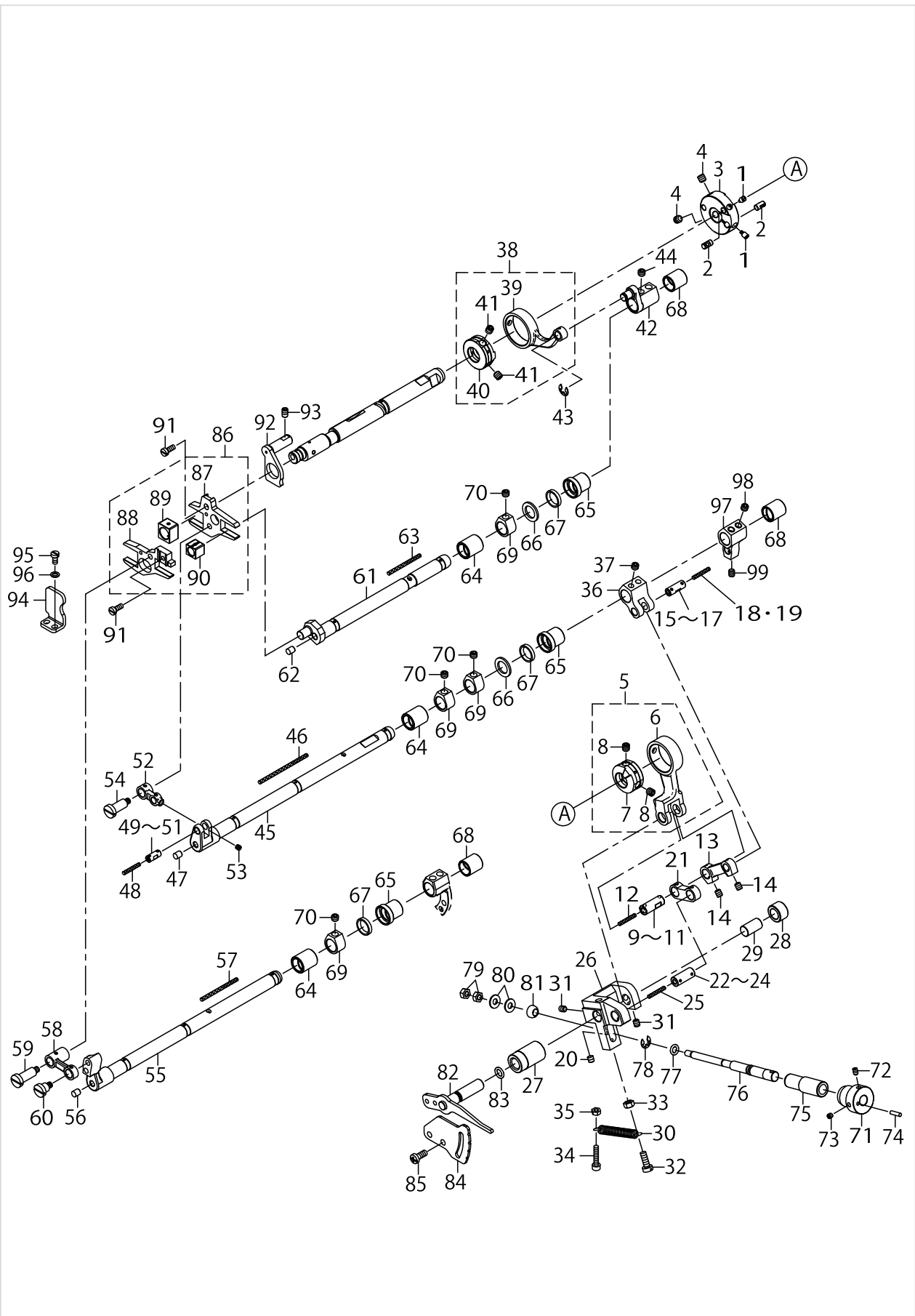
FEED DRIVE COMPONENTS (1)



FEED DRIVE COMPONENTS (1)

No.	Supply Code	Parts No.	Replacement	Parts name	Remarks	Choice	Step	Level	Cons	Qty	Rep. QTY
47		TA0500601M0		PLUG D=5X5.4 L=6						1	
48		CQ200000000		OIL WICK						.07	
49		13412002		MAIN FEED LINK PIN A	SELECTIVE PARTS					1	
50		13412101		MAIN FEED LINK PIN B	SELECTIVE PARTS					1	
51		13412200		MAIN FEED LINK PIN C	SELECTIVE PARTS					1	
52		13411905		MAIN FEED LINK						1	
53		SM8040412TP		SET SCREW M4 L=4						1	
54		SD0801636TH		SHOULDER SCREW						1	
55		70001699		DIFF FEED SHAFT						1	
56		TA0500601M0		PLUG D=5X5.4 L=6						1	
57		CQ300000001		OIL WICK						1	
58		13413604		DIFF FEED LINK						1	
59		SD0801866TH		SHOULDER SCREW						1	
60		SD0800626TH		SHOULDER SCREW						1	
61		13414503		FEED LIFT SHAFT						1	
62		TA0500601M0		PLUG D=5X5.4 L=6						1	
63		CQ300000001		OIL WICK						.67	
64		13411707		BUSHING FEED MECH						3	
65		70001705		BUSHING FEED MECH						3	
66		13409107		WASHER						2	
67		70001403		OIL SEAL						3	
68		70001706		BUSHING FEED MECH						3	
69		13411806		COLLAR						4	
70		SM8060552TP		SCREW M6 L=5						4	
71		13318001		KNOB FEED ADJUST						1	
72		SM8040602TP		SCREW M4X0.7 L=6						1	
73		SM8040412TP		SET SCREW M4 L=4						1	
74		B3215470000		PIN						1	
75		13411400		BUSHING FEED ADJ						1	
76		13411301		SHAFT FEED ADJ						1	
77		RO055200100		RUBBER RING						1	
78		RE0500000K0		E-RING						1	
79		NM6050001SC		NUT M5X0.8 TYPE1						1	
80		13120605		WASHER						2	
81		13318308		STOPPER FEED ADJUST						1	
82		13411152		INDICATOR ASSY						1	
83		RO068190100		RUBBER RING						1	
84		70001719		PLATE MAIN FEED ADJ						1	
85		SM4051255SP		SCREW.,M5 L=12.						2	
86		13413950		FEED BAR ASSY						1	
87		13413901		MAIN FEED BAR					*	1	
88	R	13414008	13413950	DIFF FEED BAR					*	1	1.00
89		13413703		SLIDE BLOCK 1					*	1	
90		13413802		SLIDE BLOCK 2					*	1	
91		SM6041000SP		SCREW M4 L=10						2	
92		13414107		FEED BAR GUIDE 1						1	

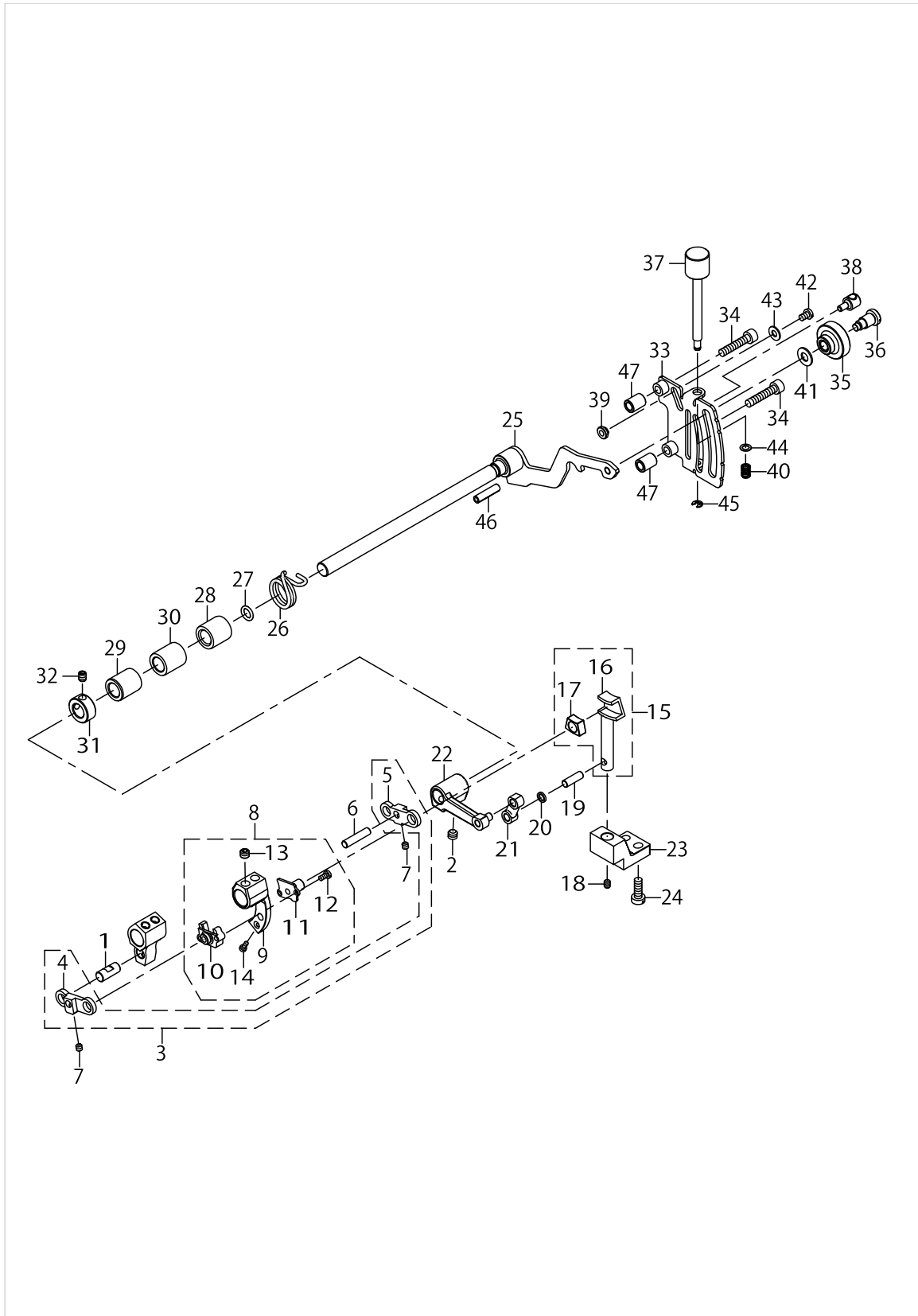
FEED DRIVE COMPONENTS (1)



FEED DRIVE COMPONENTS (1)

No.	Supply Code	Parts No.	Replacement	Parts name	Remarks	Choice	Step	Level	Cons	Qty	Rep. QTY
93		SM8050812TP		SCREW M5X8						1	
94		13414206		FEED BAR GUIDE 2						1	
95		SM6040800SP		SCREW						2	
96		WP0450846SP		WASHER						2	
97		70001714		DIFF FEED CRANK						1	
98		SM8060552TP		SCREW M6 L=5						2	
99		SM8050612TP		SCREW M5X6						1	

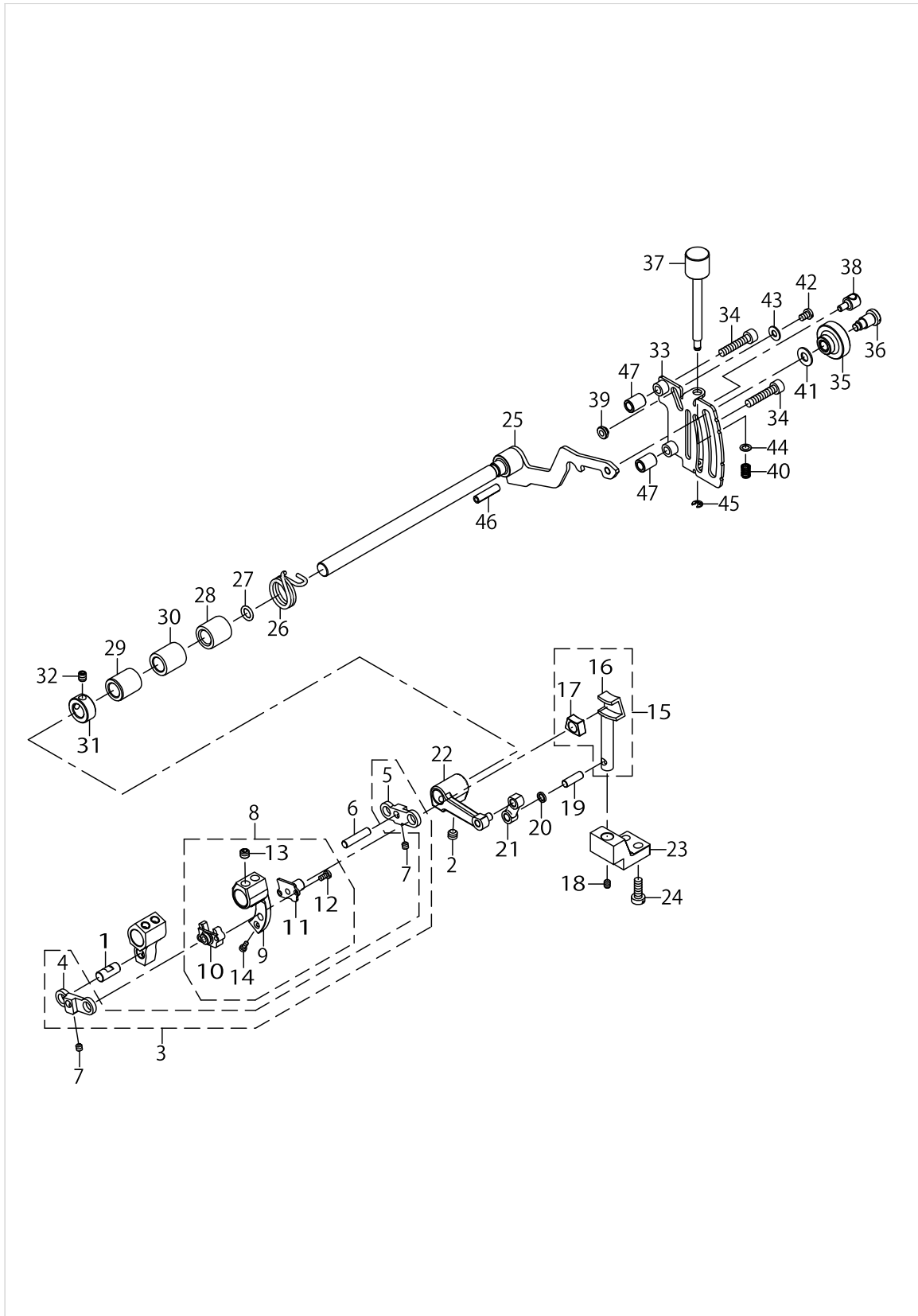
FEED DRIVE COMPONENTS (2)



FEED DRIVE COMPONENTS (2)

No.	Supply Code	Parts No.	Replacement	Parts name	Remarks	Choice	Step	Level	Cons	Qty	Rep. QTY
1		13409909		DIFF FEED CRANK PIN						1	
2		SM8060552TP		SCREW M6 L=5						2	
3		13409651		DIFF DRIVE LINK ASSY						1	
4		13409602		DIFF DRIVE LINK L				*		1	
5		13409701		DIFF DRIVE LINK R				*		1	
6		13409800		DIFF LINK PIN						1	
7		SM8040412TP		SET SCREW M4 L=4						2	
8		13416052		DIFF FEED ARM ASSY						1	
9		13416003		DIFF FEED ARM				*		1	
10	R	13416102	13416052	DIFF FEED PIN 1				*		1	1.00
11	R	13416201	13416052	DIFF FEED PIN 2				*		1	1.00
12		SM6030650TP		SCREW				*		2	
13		SM8060552TP		SCREW M6 L=5				*		2	
14		SM4850455SP		SCREW				*		1	
15		13416458		SLIDER GUIDE ASSY						1	
16		13416409		SLIDER GUIDE				*		1	
17		13416607		SLIDER				*		1	
18		SM8040612TP		SCREW M4 L=6						1	
19		13416508		PIN DIFF ADJ						1	
20		13412705		SPACER						1	
21		13413208		DIFF ADJ LINK						1	
22		13416854		DIFF ADJ LEVER ASSY						1	
23		13416706		SLIDER GUIDE BLOCK						1	
24		SM6051400SP		SCREW						2	
25		70001707		DIFF ADJ LEVER ASSY						1	
26		40040208		TORSION SPRING						1	
27		RO068190100		RUBBER RING						1	
28		70001709		BUSHING FEED ADJ						1	
29		70001710		BUSHING FEED ADJ						1	
30		70001711		BUSHING FEED ADJ						1	
31		CS1000881TP		THRUST COLLAR						1	
32		SM8050612TP		SCREW M5X6						2	
33		40040155		PLATE DIFF ADJ LEVER						1	
34		SM6052502TP		SCREW M5X0.8 L=25						2	
35		13217500		DIFFERENTIAL FEED LOCK NUT						1	
36		13217401		DIFFERENTIAL FEED HINGE SCREW						1	
37		70001718		SCREW						1	
38		13217708		DIFFERENTIAL FEED BLOCK						1	
39		13321203		STOPPER DIFF ADJ						1	
40		13123302		ADJUSTING SPRING						1	
41		WP0621016SD		WASHER 6.2X13X1						1	
42		SM4040655SP		SCREW M4 L=6						1	
43		WP0450826SC		WASHER 4.5X10X0.8						1	
44		WP0460556SD		WASHER 4.6X7.5X0.5						1	
45		RE0300000K0		E-RING 3						1	
46		PS0500202KP		SPRING PIN 5X20						1	

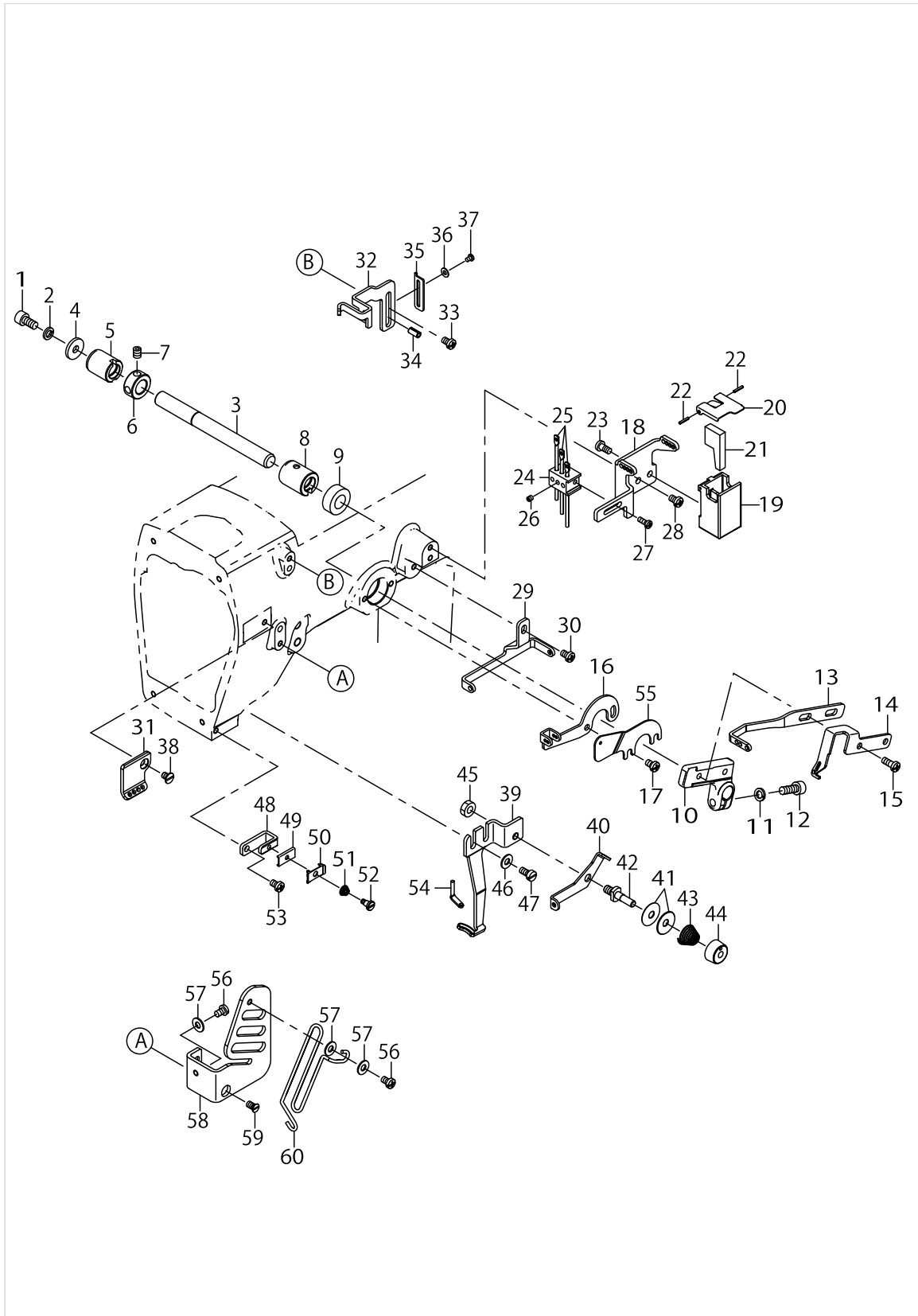
FEED DRIVE COMPONENTS (2)



FEED DRIVE COMPONENTS (2)

No.	Supply Code	Parts No.	Replacement	Parts name	Remarks	Choice	Step	Level	Cons	Qty	Rep. QTY
47		70001712		COLLAR						2	

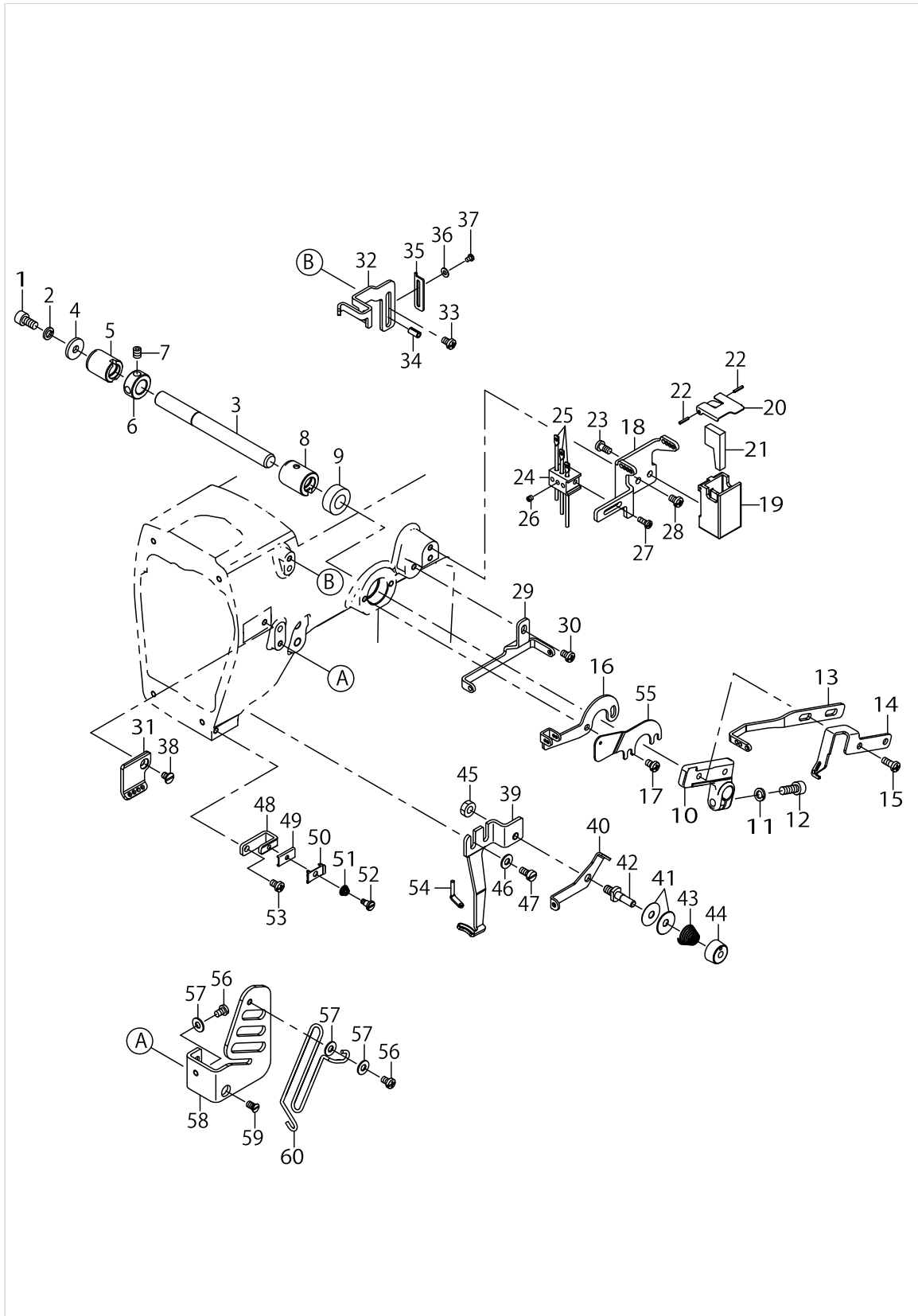
THREAD TAKE-UP LEVER COMPONENTS



THREAD TAKE-UP LEVER COMPONENTS

No.	Supply Code	Parts No.	Replacement	Parts name	Remarks	Choice	Step	Level	Cons	Qty	Rep. QTY
1		SM6051002TP		SCREW M5X0.8 L=10						1	
2		WS0510002KP		SPRING WASHER 5.1X9.2X1.3						1	
3		70001537		SHAFT						1	
4		WP0522016SH		WASHER						1	
5		13324504		BUSHING REAR						1	
6		CS1000881TP		THRUST COLLAR D=10 W=8						1	
7		SM8050612TP		SCREW M5X6						2	
8		13324603		BUSHING FRONT						1	
9		23612609		FEED CHANGING SHAFT OIL SEAL						1	
10		13324702		HOLDER TAKE UP EYELET						1	
11		WS0510002KN		SPRING WASHER M5						1	
12		SM6051402TP		SCREW M5X0.8 L=14						1	
13		70001548		NDL THD TAKE UP						1	
14		13324900		UP LPR THREAD TAKE UP						1	
15		SM4041055SP		SCREW						2	
16		13325006		THREAD GUIDE						1	
17		SM4040655SP		SCREW M4 L=6						2	
18		70001540		THREAD TENSION GUIDE						1	
19		13348008		TANK						1	
20		70001546		SILICONE OIL TANK COVER						1	
21		B9214850000		HEAT REMOVING FELT						1	
22		PS0150082KH		SPRING PIN 1.5X8						2	
23		ST4040851SN		TAPPING SCREW M4X8						2	
24		13325204		HOLDER						1	
25	R	30391601	40074316	NEEDLE THREAD EYELET						3	1.00
26		SM8030312TP		SCREW M3 L=3						3	
27		SM4030855SN		SCREW M3 L=8.0						1	
28		SM4040655SP		SCREW M4 L=6						2	
29		70001541		THREAD GUIDE						1	
30		SM4040655SP		SCREW M4 L=6						1	
31		70001542		THREAD GUIDE						1	
32		70001543		NDL THD STRIKE OFF						1	
33		SM4040655SP		SCREW M4 L=6						1	
34		PS0400082KP		SPRING PIN TYPE W 4X8						1	
35		13326905		NDL THD STRIKE OFF R						1	
36		WP0280501SC		WASHER M2.6						1	
37		SM4850455SP		SCREW						1	
38		SM1040650TP		SCREW						1	
39		13326301		THREAD GUIDE UPPER LPR						1	
40		13326400		THREAD GUIDE						1	
41		22945802		THREAD TENSION DISK						2	
42		13326509		TENSION POST						1	
43		22945505		THREAD TENSION SPRING						1	
44		13326608		TENSION NUT						1	
45		NM6050001SC		NUT M5X0.8 TYPE1						1	
46		WP0450826SC		WASHER 4.5X10X0.8						2	

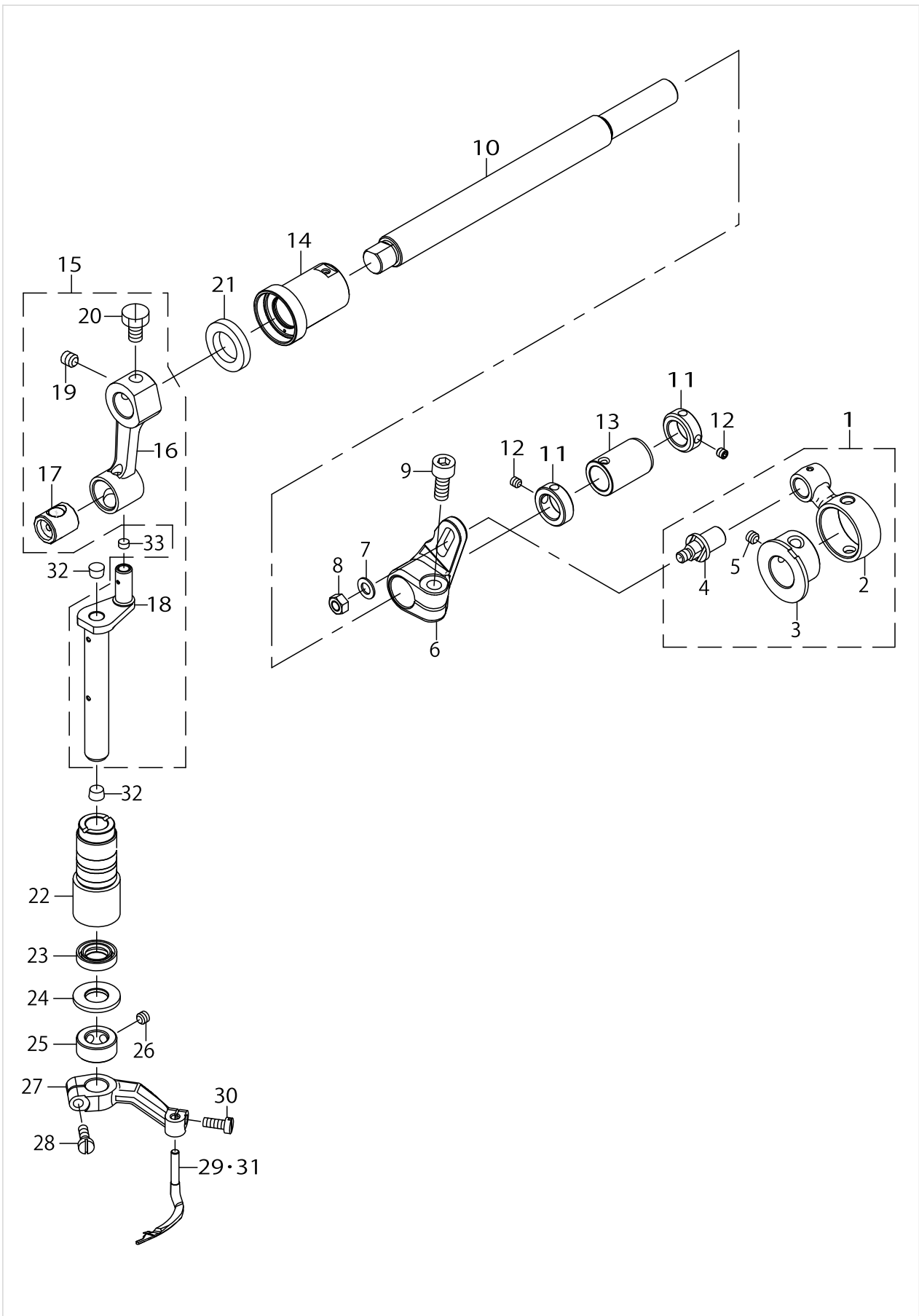
THREAD TAKE-UP LEVER COMPONENTS



THREAD TAKE-UP LEVER COMPONENTS

No.	Supply Code	Parts No.	Replacement	Parts name	Remarks	Choice	Step	Level	Cons	Qty	Rep. QTY
47		SM6040800SP		SCREW						2	
48		13325808		NIPPER PLATE SUPPORT						1	
49		13325907		NIPPER PLATE						1	
50		13326004		NIPPER GUIDE PLATE						1	
51		13326103		SPRING						1	
52		13326202		SHOULDER SCREW						1	
53		SM4040655SP		SCREW M4 L=6						1	
54		13326707		THREAD GUIDE						1	
55		40085995		FINGER GUARD						1	
56		SM4040655SP		SCREW M4 L=6						2	
57		WP0450801SC		WASHER 4.5X10X0.8						3	
58		70001544		TAKE UP COVER						1	
59		SM1040750TP		SCREW M4 L=7						1	
60		70001545		FINGER GUARD						1	

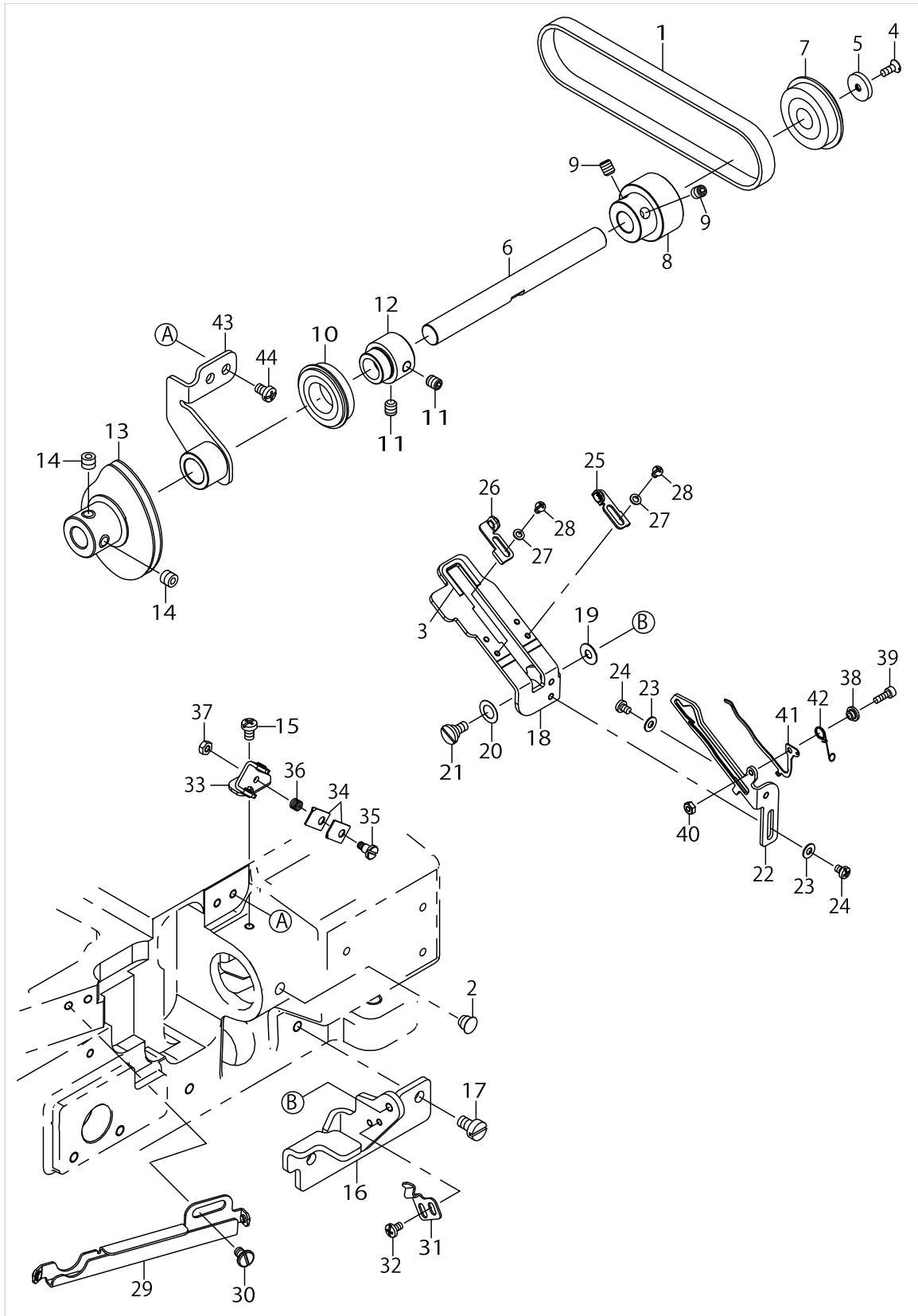
SPREADER COMPONENTS



SPREADER COMPONENTS

No.	Supply Code	Parts No.	Replacement	Parts name	Remarks	Choice	Step	Level	Cons	Qty	Rep. QTY
1		40078318		ASSY UPPPER LPR MECH						1	
2		40078319		CONNROD FOR UPPER LPR				*		1	
3		13328000		UPPER LOOPER ECCENTRIC				*		1	
4		13328208		STUD				*		1	
5		SM8050412TP		SCREW M5 L=4				*		2	
6		70001555		DRIVING ARM						1	
7		WP0550800SP		WASHER 5.5X10X0.8						1	
8		NM6050001SC		NUT M5X0.8 TYPE1						1	
9		SM6061402TP		SCREW M6 L=14						1	
10		70001561		UPPER LOOPER SHAFT DRY						1	
11		13399209		COLLAR						2	
12		SM8040412TP		SCREW M4X4						4	
13		13329008		BUSHING REAR						1	
14		70001562		BUSHING FRONT DRY						1	
15		40078311		ASSY UPPER LPR MECH 2						1	
16		40078312		CRANK ROD				*		1	
17		40078313		UPPER LOOPER ROCKER				*		1	
18		40078314		U.L SHAFT VERTICAL				*		1	
19		SM8060612TP		SCREW M6 L=6				*		1	
20		SM9061050TP		SCREW M6 L=10				*		1	
21		40004606		OIL SEAL						1	
22		13329206		BUSHING VERTICAL						1	
23		13338900		OIL SEAL						1	
24		WP1022016SH		WASHER						1	
25		CS1000881TP		THRUST COLLAR D=10 W=8						1	
26		SM8050412TP		SCREW M5 L=4						2	
27		13328802		UPPER LOOPER HOLDER						1	
28		SM6041200SP		SCREW M4 L=12						1	
29	R	70001556	70004223	UPPER LOOPER	EXCEPT T- YPE TURK- EY (UT37A,UT57A)					1	1.00
30		SM6041000SP		SCREW M4 L=10						1	
31	R	70001563	70004224	UPPER LOOPER	TYPE TUR- KEY (UT37A,UT57A)					1	1.00
32		TA0600401R0		PLUG						1	
33		40078293		PLUG						1	

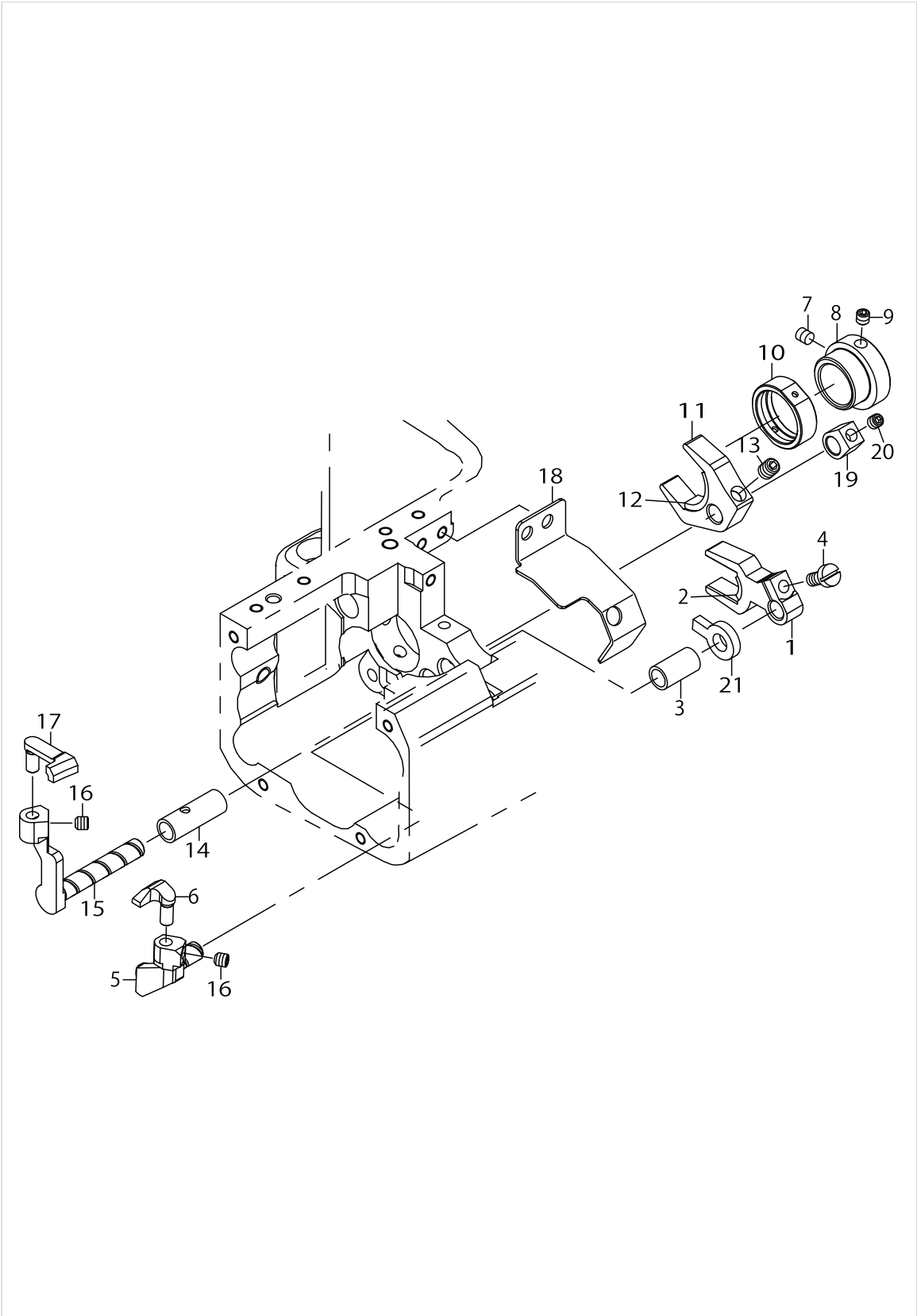
LOWER THREAD CAM COMPONENTS



LOWER THREAD CAM COMPONENTS

No.	Supply Code	Parts No.	Replacement	Parts name	Remarks	Choice	Step	Level	Cons	Qty	Rep. QTY
1		70001988		BELT_TAKE_UP						1	
2		TA0620504R0		CAP						1	
3		40087068		CAM THREAD CATCH						1	
4		SM1030800SM		SCREW M3X0.5 L=8						1	
5		13332606		WASHER TAKE UP						1	
6		70001729		SHAFT TAKE UP						1	
7		SB110001800		BEARING						1	
8		13331301		SPROCKET TAKE UP						1	
9		SM8050612TP		SCREW M5X6						2	
10		SB115000600		BALL BEARING						1	
11		SM8050612TP		SCREW M5X6						2	
12		70001754		COUPLING						1	
13		40019335		ASSY TAKE UP						1	
14		SM8060552TP		SCREW M6 L=5						2	
15		SM4040655SP		SCREW M4 L=6						1	
16		70001734		TAKE UP PLATE BASE						1	
17		SM6050800SP		SCREW M5 L=8						2	
18		70001735		TAKE UP PLATE						1	
19		WP0410516SD		PLAIN WASHER						1	
20		WZ0641510KP		WAVED WASHER 6.4X11X0.3						1	
21		SD0640246SP		HINGE SCREW D=6.35 H=2.4						1	
22	R	70001752	70004734	THREAD GUIDE						1	1.00
23		WP0320501SC		WASHER M3						3	
24		SM4030455SP		SCREW						3	
25		40100773		EYELET L ASSY						1	
26		40100771		EYELET R ASSY						1	
27		WP0280500SC		WASHER						2	
28		SM4850455SP		SCREW						2	
29		70001738		ASSY THREAD GUIDE						1	
30		SM6040650TP		SCREW						2	
31		70001745		SPRING						1	
32		SM5030555SN		SCREW M3 L=5						2	
33		70001764		NIPPER PLATE ASSY						1	
34		40100769		NIPPER SPRING PLATE						2	
35		13326202		SHOULDER SCREW						1	
36		13402805		SPRING						1	
37		NM6030001SC		NUT M3X0.5 TYPE1						1	
38		70001584		SPRING COLLAR						1	
39		SM6850802TN		SCREW M2.5 L=8						1	
40		NM6850001SC		NUT M2.5X0.45 TYPE1						1	
41	R	70001751	70004733	THREAD GUIDE PLATE						1	1.00
42		70001753		THREAD GUIDE PLATE SPRING						1	
43		70001758		SHAFT TAKE UP COVER ASSY						1	
44		SM4040655SP		SCREW M4 L=6						2	

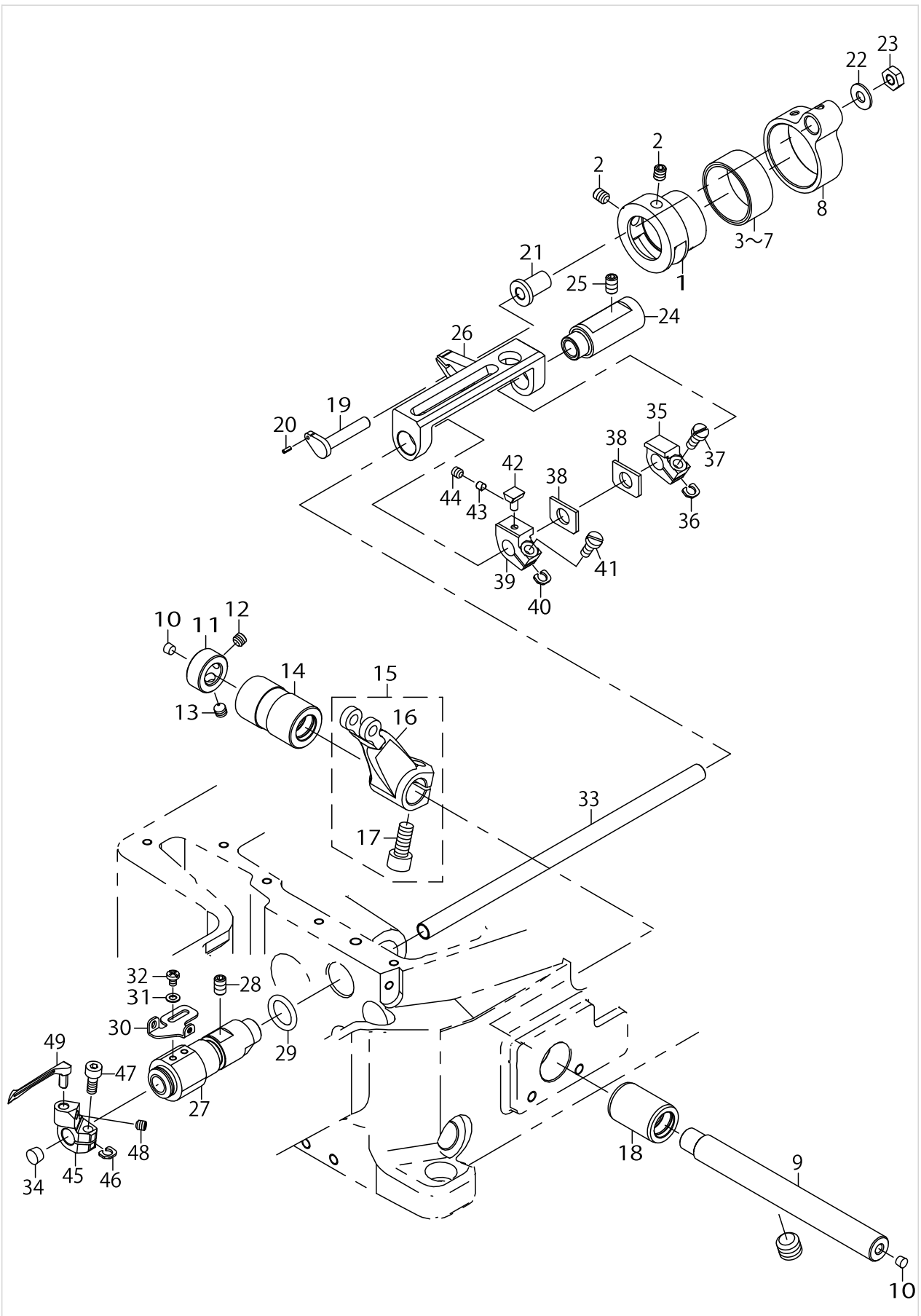
NEEDLE GUARD COMPONENTS



NEEDLE GUARD COMPONENTS

No.	Supply Code	Parts No.	Replacement	Parts name	Remarks	Choice	Step	Level	Cons	Qty	Rep. QTY
1		13420401		FORK FRONT NDL GUARD						1	
2		13421201		FELT FRONT NDL GUARD						1	
3		70001749		BUSH FRONT NDL GUARD						1	
4		SM6040800SP		SCREW						1	
5		13420500		HOLDER FRONT NDL GUARD						1	
6		13420609		FRONT NDL GUARD						1	
7		SM8040412TP		SET SCREW M4 L=4						1	
8		13420005		CAM REAR NDL GUARD						1	
9		SM8040412TP		SET SCREW M4 L=4						1	
10		13421003		REAR NEEDLE GUARD BLOCK						1	
11		13420104		FORK REAR NDL GUARD						1	
12		13421300		FELT REAR NDL GUARD						1	
13		SM8050612TP		SCREW M5X6						1	
14		70001750		BUSH REAR NDL GUARD						1	
15		13420203		REAR NDL GUARD HOLDER						1	
16		SM8040412TP		SET SCREW M4 L=4						2	
17		13420302		REARNEEDLE GUARD						1	
18		13420906		NDL GUARD COVER						1	
19		13421409		COLLER FOR NDL GUARD						1	
20		SM8040412TP		SET SCREW M4 L=4						1	
21		70001954		FELT FOR NEEDLE GUARD						1	

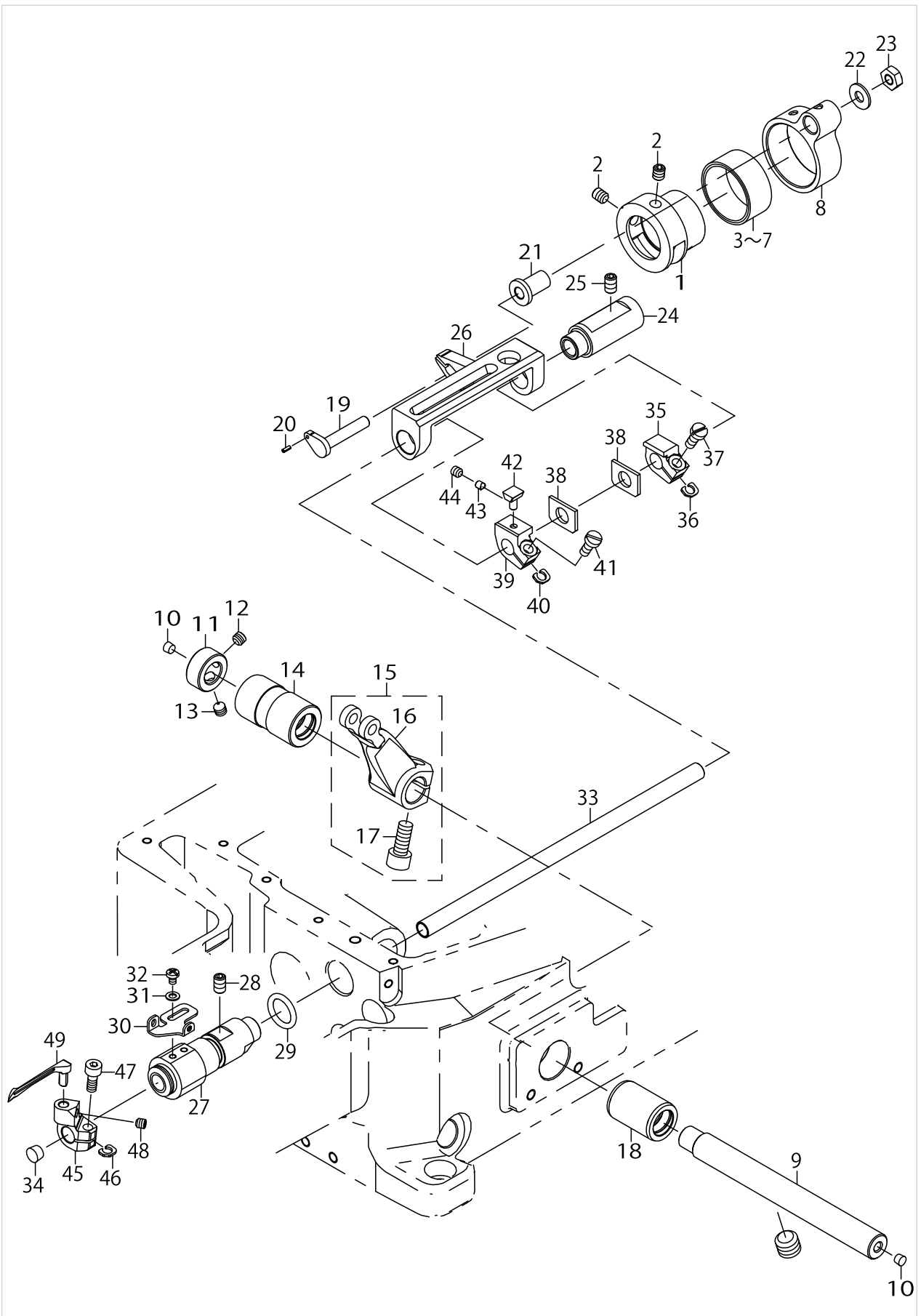
LOOPER COMPONENTS



LOOPER COMPONENTS

No.	Supply Code	Parts No.	Replacement	Parts name	Remarks	Choice	Step	Level	Cons	Qty	Rep. QTY
1		13422001		LOOPER AVOID ECCENTRIC						1	
2		SM8050612TP		SCREW M5X6						2	
3		SB32600020A		BEARING	SELECTIVE PARTS					1	
4		SB32600020B		BEARING	SELECTIVE PARTS					1	
5		SB32600020C		BEARING	SELECTIVE PARTS					1	
6		SB32600020D		BEARING	SELECTIVE PARTS					1	
7		SB32600020E		BEARING	SELECTIVE PARTS					1	
8		13422605		LOOPER AVOID LINK						1	
9		13424304		LOOPER SHAFT						1	
10		TA0400301M0		PLUG D=4X4.5 L=3						2	
11		CS1000881TP		THRUST COLLAR						1	
12		SM8050412TP		SCREW M5 L=4						1	
13		SM8050642TP		SCREW						1	
14		13423900		BUSHING REAR						1	
15		13424452		LEVER ASSY						1	
16	R	13424403	13424452	LEVER				*		1	1.00
17		SM6061402TP		SCREW M6 L=14				*		1	
18		13424502		BUSHING FRONT						1	
19		13422704		LOOPER AVOID PIN						1	
20		PS0150042K0		SPRING PIN 1.5X 4						1	
21		13422803		BUSHING						1	
22		13120605		WASHER						1	
23		NM6050001SC		NUT M5X0.8 TYPE1						1	
24		13423009		BUSHING RIGHT						1	
25		SM8050812TP		SCREW M5X8						1	
26		13422902		GUIDE LOOPER BAR						1	
27	R	70001761	70004729	BUSHING LEFT		A				1	1.00
27	R	70001761	70004367	BUSHING LEFT		A				1	1.00
28		SM8050812TP		SCREW M5X8						1	
29		RO118240100		O-RING						1	
30	R	70001762	70004729	THREAD GUIDE		A				1	1.00
30	R	70001762	70004367	THREAD GUIDE		A				1	1.00
31		WP0320500SC		WASHER M3						2	
32		SM4030455SP		SCREW						2	
33		13424601		LOOPER BAR						1	
34		TA0600401R0		PLUG						1	
35		13423405		HOLDER						1	
36		13423801		WASHER						1	
37		SM6041000SP		SCREW M4 L=10						1	
38		13423603		WASHER						2	
39		13423504		SLIDER HOLDER						1	
40		13423801		WASHER						1	
41		SM6041000SP		SCREW M4 L=10						1	
42		13423306		SLIDER						1	
43		13423702		PIN						1	
44		SM8040412TP		SET SCREW M4 L=4						1	

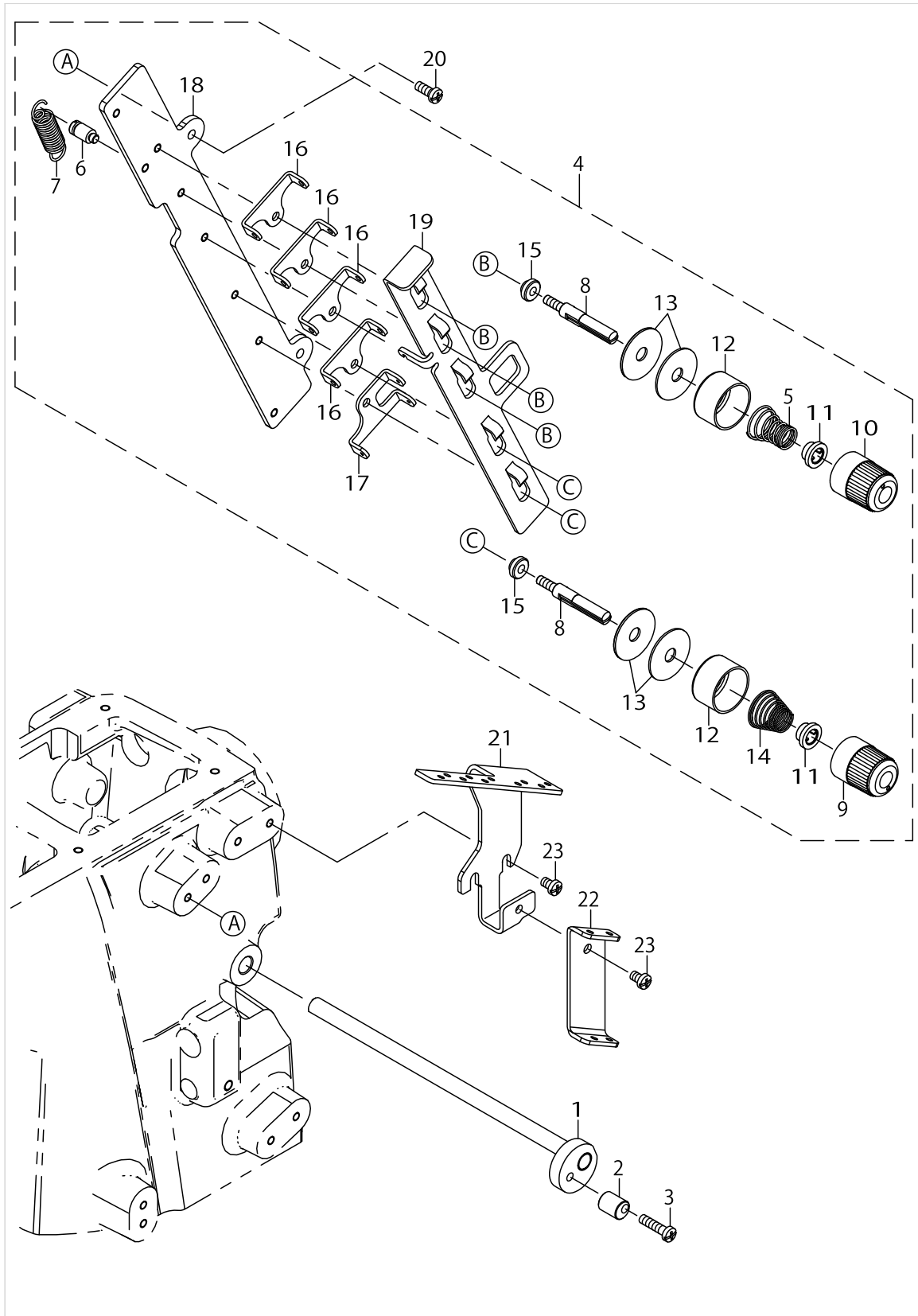
LOOPER COMPONENTS



LOOPER COMPONENTS

No.	Supply Code	Parts No.	Replacement	Parts name	Remarks	Choice	Step	Level	Cons	Qty	Rep. QTY
45		13424700		LOOPER HOLDER						1	
46		13423801		WASHER						1	
47		SM6041002TP		SCREW M4 L=10						1	
48		SM8040412TP		SET SCREW M4 L=4						1	
49		13424809		LOOPER						1	

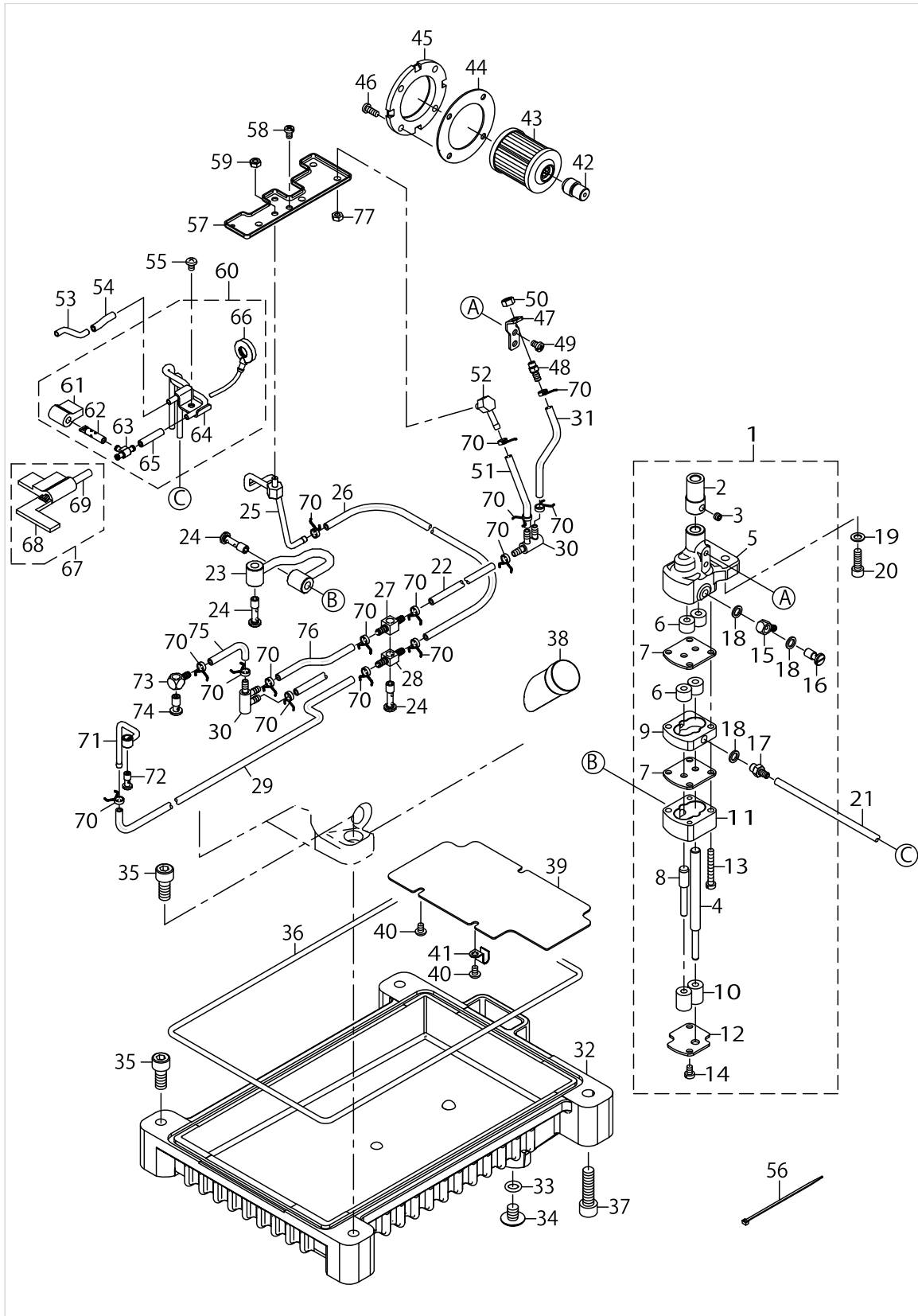
THREAD TENSION COMPONENTS



THREAD TENSION COMPONENTS

No.	Supply Code	Parts No.	Replacement	Parts name	Remarks	Choice	Step	Level	Cons	Qty	Rep. QTY
1		70001610		ASSY PULL OFF LEVER						1	
2		40065785		TENS RELEASE ADJ ECC						1	
3		SM4041655SP		SCREW M4 L=16						1	
4		70001612		THREAD TENSION ASSY						1	
5		13140504		TENSION SPRING				*		3	
6		13340302		SHOULDER SCREW				*		1	
7	D	26019000		THREAD TENSION SPRING				*		1	
8		70001620		TENSION POST				*		5	
9		40042363		KNOB				*		2	
10		40042364		KNOB GREEN				*		3	
11		40042365		SPRING BUSHING				*		5	
12		40042366		THREAD TENSION DISK PRESSER				*		5	
13		40101602		THREAD TENSION DISC				*		10	
14		40102003		SPRING				*		2	
15		70001617		SPACER				*		5	
16		70001615		TENSION DISC EYELET A				*		4	
17		70001616		TENSION DISC EYELET B				*		1	
18		70001613		TENSION POST SUPPORT				*		1	
19		70001614		TENSION DISC SEPARATOR				*		1	
20		SM4041055SP		SCREW						2	
21		13340005		THREAD GUIDE PLATE						1	
22		13340104		THREAD GUIDE						1	
23		SM4040655SP		SCREW M4 L=6						3	

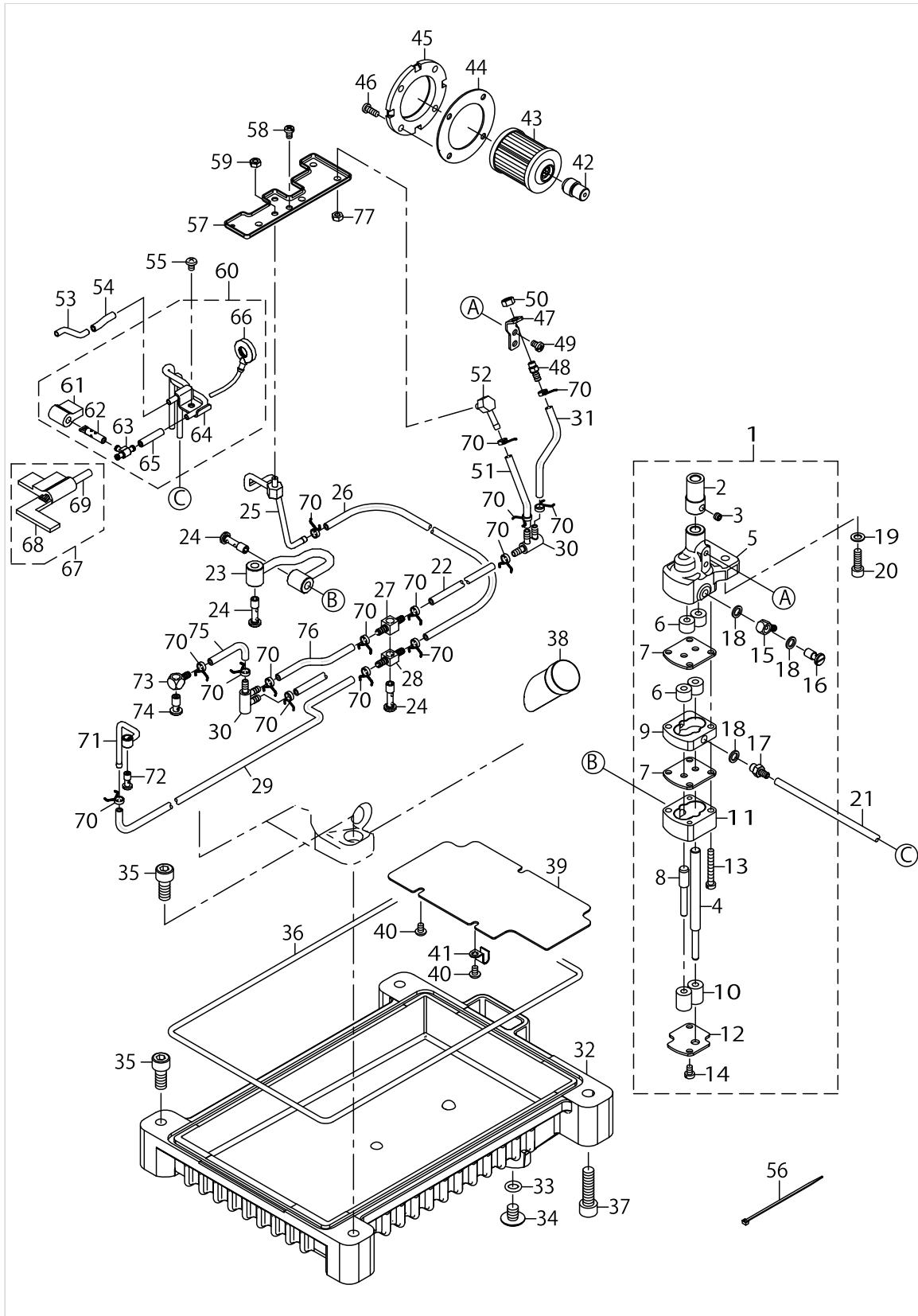
LUBRICATION COMPONENTS



LUBRICATION COMPONENTS

No.	Supply Code	Parts No.	Replacement	Parts name	Remarks	Choice	Step	Level	Cons	Qty	Rep. QTY
1		13426051		ASSY_PUMP_3-STAGE						1	
2		13343009		WORM WHEEL				*		1	
3		SM8050412TP		SCREW M5 L=4				*		2	
4	R	13426002	13426051	OIL PUMP SHAFT LARGE				*		1	1.00
5	R	13343108	13345459	OIL PUMP HOUSING		A	MF-7700	*		1	1.00
5	R	13343108	13426051	OIL PUMP HOUSING		B	MF-7800	*		1	1.00
6		13228309		OIL PUMP PINION				*		4	
7	R	13343405	13345459	OIL PUMP SPACER		A	MF-7700	*		2	1.00
7	R	13343405	13426051	OIL PUMP SPACER		B	MF-7800	*		2	1.00
8	R	13426101	13426051	OIL PUMP SHAFT SMALL				*		1	1.00
9		13426200		OIL PUMP CASING UPPER				*		1	
10		13228200		OIL PUMP PINION				*		2	
11	R	13343207	13345459	OIL PUMP CASING		A	MF-7700	*		1	1.00
11	R	13343207	13426051	OIL PUMP CASING		B	MF-7800	*		1	1.00
12	R	13343306	13345459	OIL PUMP COVER		A	MF-7700	*		1	1.00
12	R	13343306	13426051	OIL PUMP COVER		B	MF-7800	*		1	1.00
13		SM6043000SP		SCREW				*		2	
14		SM6040600SP		SCREW M4 L=6				*		2	
15		SQ0000451MZ		CONNECTING SCREW				*		1	
16		SQ2060443SD		CONNECTING SCREW				*		1	
17		SQ2060451MZ		CONNECTING SCREW				*		1	
18		40004749		GASCKET				*		3	
19		WP0550800SP		WASHER 5.5X10X0.8						2	
20		SM6051602TP		SCREW M5X0.8 L=16						2	
21		23630007		TUBE						.2	
22		BP30000010R		VINYL PIPE						.05	
23		13427257		ASSY_OIL_PIPE						1	
24		SQ2060442SD		CONNECTING SCREW						3	
25		13345053		ASSY_OIL_SUPPLY_FOR_TOP						1	
26		BP30000010R		VINYL PIPE						.5	
27		SQ0000453MZ		CONNECTING SCREW						1	
28		SQ0000454MZ		CONNECTING SCREW						1	
29		BP30000010R		VINYL PIPE						.13	
30		23629504		DISTRIBUTOR						2	
31		BP30000010R		VINYL PIPE						1	
32		70001769		OIL_PAN						1	
33		13170105		RUBBER RING						1	
34	R	13171004	SM0081001SD	DRAIN SCREW						1	1.00
35		SM6081802TP		SCREW						3	
36		13426408		O RING						1	
37		SM6083002TP		SCREW M8 L=30						1	
38		13346101		OIL SIGHT GAUGE						1	
39		70001770		DUSTPROOF_PLATE						1	
40		SM4040655SP		SCREW M4 L=6						3	
41		13427604		TUBE HOLDER						1	
42		13343801		FITTING FILTER						1	

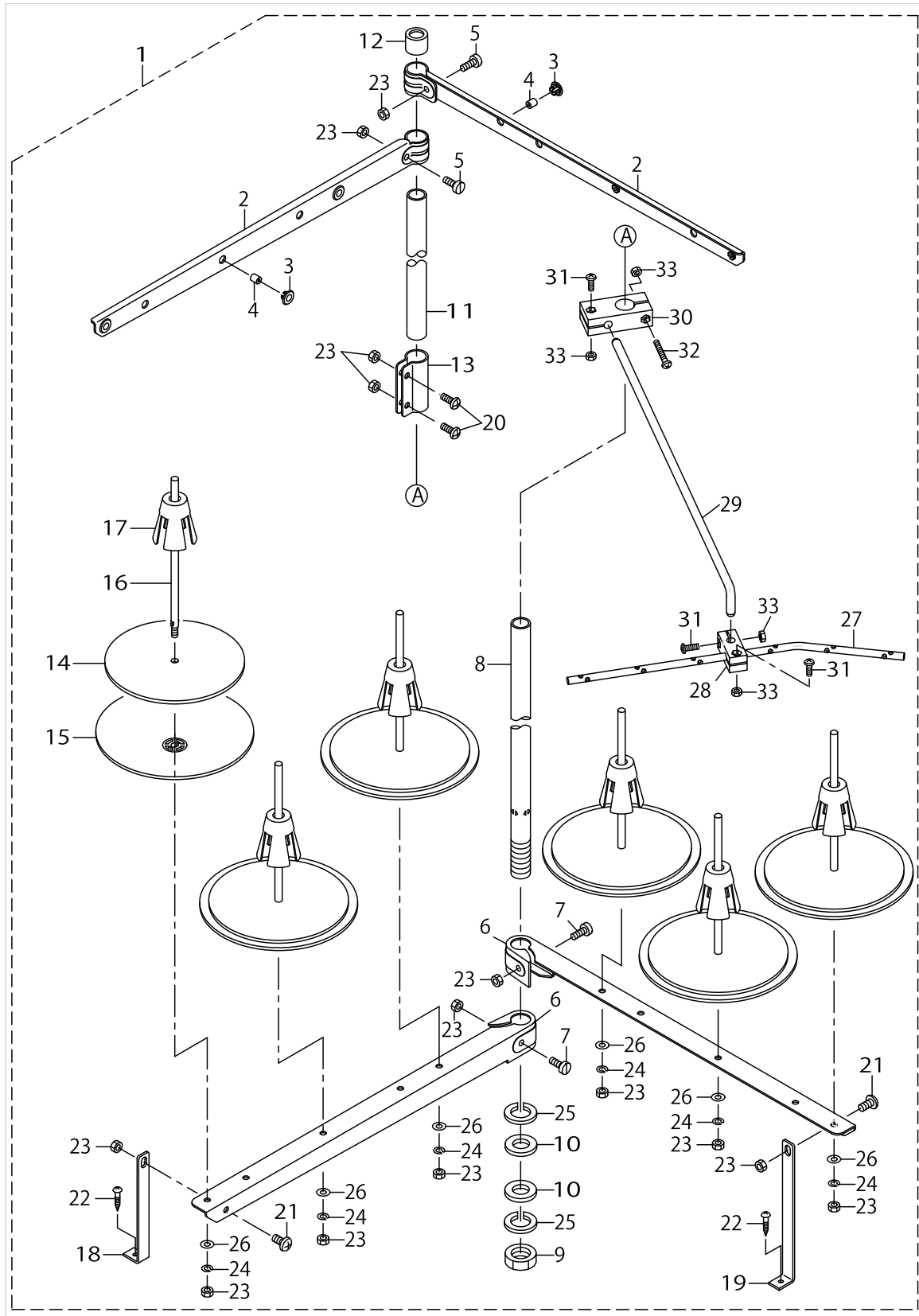
LUBRICATION COMPONENTS



LUBRICATION COMPONENTS

No.	Supply Code	Parts No.	Replacement	Parts name	Remarks	Choice	Step	Level	Cons	Qty	Rep. QTY
43		13142500		CARTRIDGE FILTER						1	
44		13344809		GASKET O						1	
45		13345202		FILTER_COVER						1	
46		SM4041055SP		SCREW						4	
47		13427307		CONNECTING_SCR_BRACKET						1	
48		SQ2050452MZ		CONNECTING SCREW						1	
49		SM4040655SP		SCREW M4 L=6						2	
50		NM6050001SC		NUT M5X0.8 TYPE1						1	
51		BP30000010R		VINYL PIPE						.3	
52		70001975		ASSY_OIL_SUPPLY						1	
53		13428008		OIL_SUCTION_FOR_BUSHING						1	
54		23630007		TUBE						.02	
55		SM4040655SP		SCREW M4 L=6						1	
56		EA9500B0100		CABLE BAND						2	
57		70001631		OIL_SAUCER						1	
58		SM4040655SP		SCREW M4 L=6						2	
59		NM6040000SN		NUT M4						1	
60		13427851		ASSY_BED_SUCTION						1	
61		13427802		FELT_FOR_BED_SUCTION				*		1	
62		13428305		OIL_TUBE_FOR_SUCTION				*		1	
63		13765607		OIL CONNEC. ARM				*		1	
64		13426754		OIL SUCTION ASSY				*		1	
65		23630007		TUBE				*		0.03	
66		13428255		ASSY_LOOPER_SUCTION				*		1	
67		13427752		ASSY_CYLINDER_SUCTION						1	
68		13427703		FELT_FOR_C_SUCTION				*		1	
69		13346408		OIL TUBE FOR SUCTION				*		1	
70		23629306		PIPE STOPPER A						15	
71		13427455		ASSY_OIL_SUPPLY_FOR_LMS						1	
72		SQ2050391SD		CONNECTING SCREW						1	
73		SQ0000452MZ		CONNECTING SCREW						1	
74		SQ2060443SD		CONNECTING SCREW						1	
75		BP30000010R		VINYL PIPE						.04	
76		BP30000010R		VINYL PIPE						.05	
77		NM6040000SN		NUT M4						1	

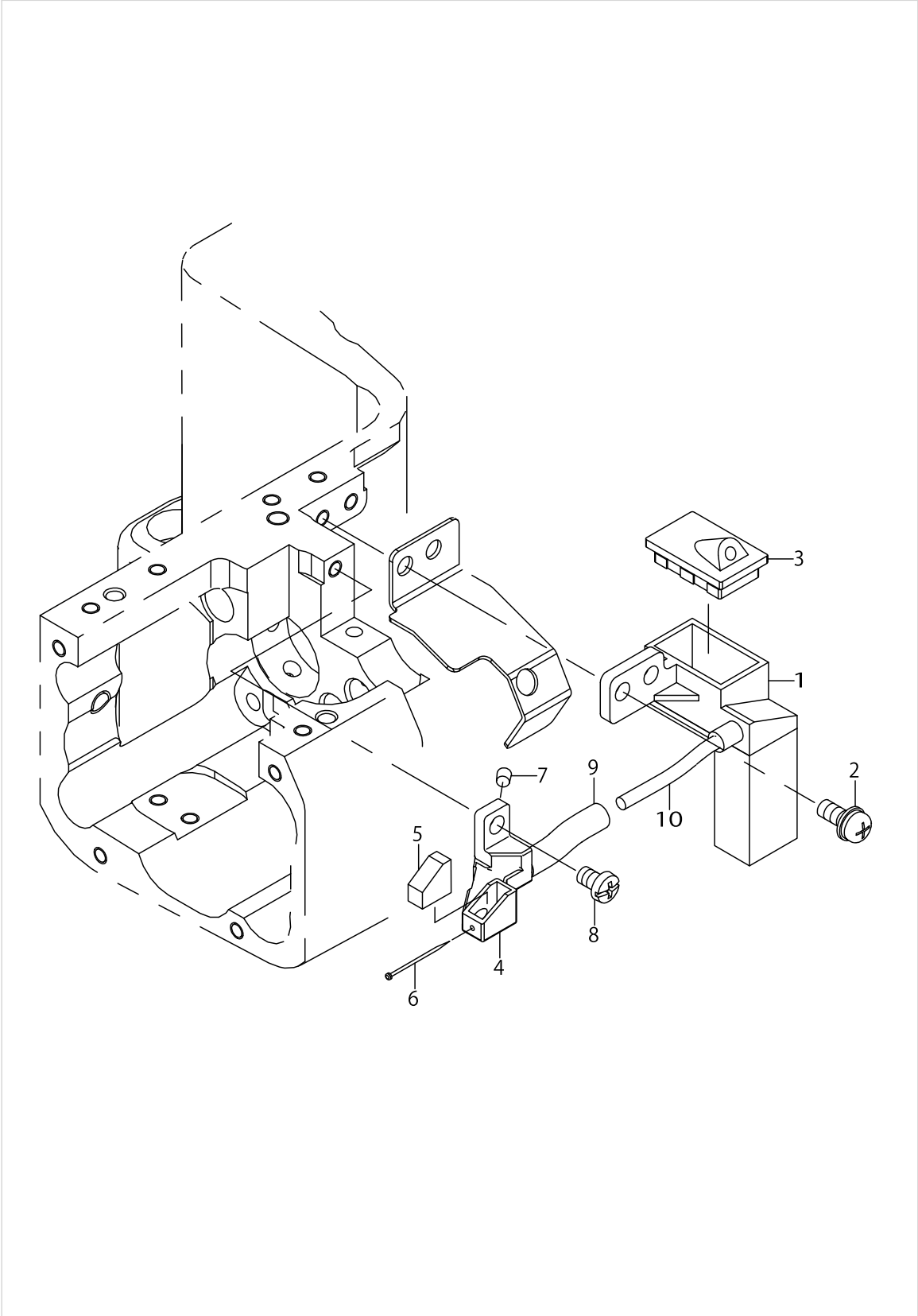
THREAD STAND COMPONENTS



THREAD STAND COMPONENTS

No.	Supply Code	Parts No.	Replacement	Parts name	Remarks	Choice	Step	Level	Cons	Qty	Rep. QTY
1	R	40106592	40106586	THREAD STAND ASM.						1	1.00
2		40106575		SPOOL REST LONG ARM UPPER				*		2	
3		40085795		THREAD GUIDE BUSHING				*		6	
4		40085794		THREAD GUIDE				*		6	
5	R	40096327	SM4053001SE	SPOOL REST ARM UPPER SCREW				*		2	1.00
6		40106574		SPOOL REST LONG ARM LOWER				*		2	
7		40096326		SPOOL REST ARM LOWER SCREW				*		2	
8		40085784		SPOOL REST ROD LOWER				*		1	
9		40096325		SPOOL REST ROD NUT				*		1	
10		40085796		SPOOL REST ROD RUBBER CUSHION				*		2	
11		40085785		SPOOL REST ROD UPPER				*		1	
12		40085793		SPOOL REST ROD RUBBER CAP				*		1	
13		40085792		SPOOL REST ROD JOINT				*		1	
14		40085789		SPOOL REST CUSHION				*		6	
15		40085788		SPOOL REST				*		6	
16		40085790		SPOOL PIN				*		6	
17		40085791		SPOOL RETAINER				*		6	
18		40106577		SPOOL REST ARM LOWER A				*		1	
19		40106578		SPOOL REST ARM LOWER B				*		1	
20		SM4051405SE		SCREW M5 L=14				*		2	
21		SM4051001SE		SCREW M5 L=10				*		2	
22		SK3412001SE		WOOD SCREW D=4.1 L=20				*		2	
23		NM6050001SE		NUT M5X0.8 TYPE1				*		14	
24		WP0531001SC		WASHER M5				*		6	
25		WP1612616SE		WASHER 16X30X2.6				*		2	
26		WS0510002KN		SPRING WASHER M5				*		6	
27		40106583		THREAD GUIDE 6				*		1	
28		40106580		THREAD GUIDE UNDER BASE				*		1	
29		40106576		THREAD GUIDE ARM				*		1	
30		40106579		THREAD GUIDE ARM BASE				*		1	
31		SM4041201SC		SCREW M4X0.7 L=12				*		3	
32		SM4042501SC		SCREW M4X0.7 L=25				*		1	
33	R	NM6040002SC	NM6040002SE	NUT M4X0.7 TYPE2				*		4	1.00

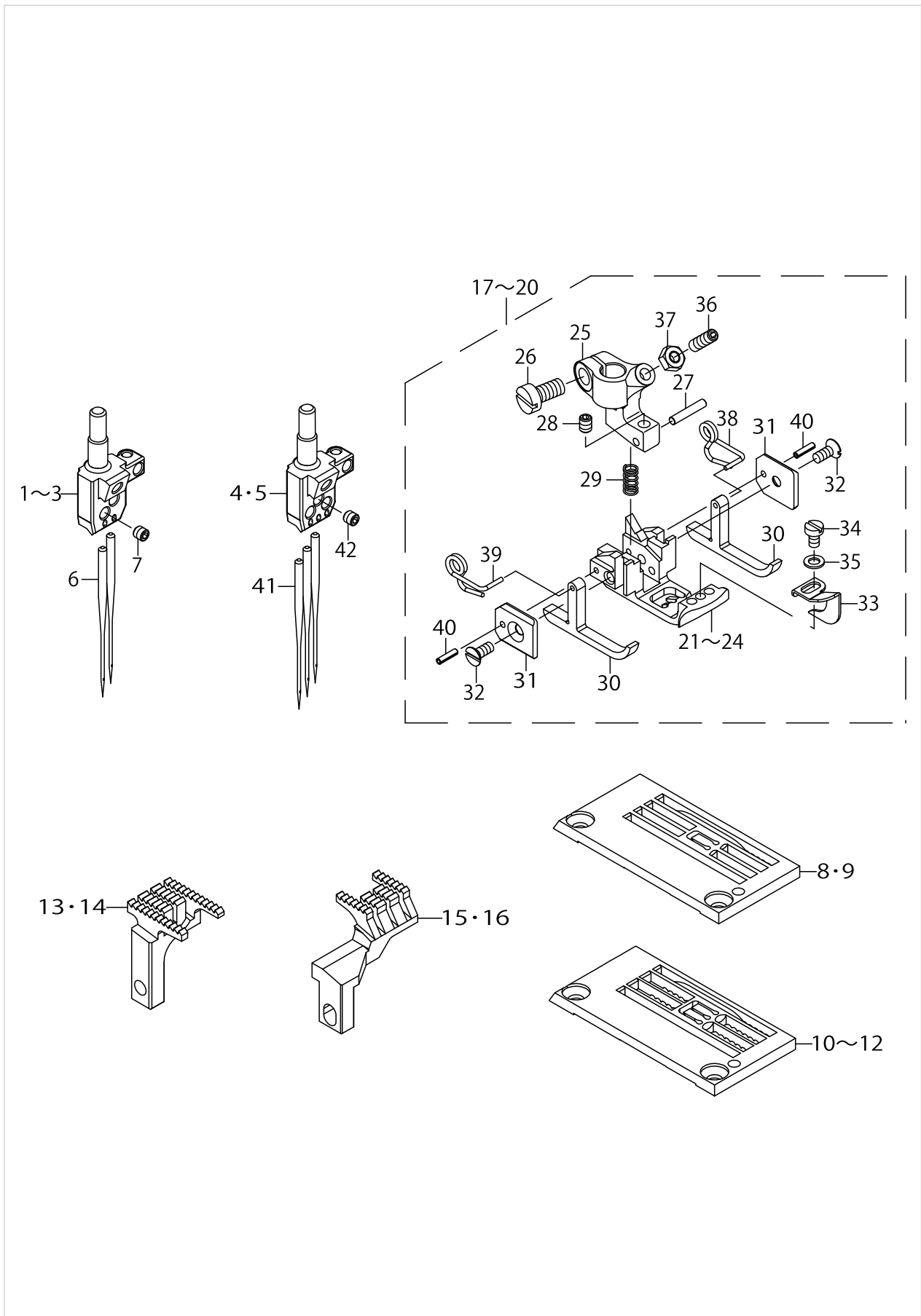
NEEDLE COOLING COMPONENTS



NEEDLE COOLING COMPONENTS

No.	Supply Code	Parts No.	Replacement	Parts name	Remarks	Choice	Step	Level	Cons	Qty	Rep. QTY
1		13429055		SILICONE OIL TANK ASSY						1	
2		SL4041081SC		SCREW M4 L=10						2	
3		13429105		SILICONE OIL TANK CAP						1	
4		13429204		SILICONE OIL CUP						1	
5		13429303		FELT						1	
6		11856101		NEEDLE COOLER PIN						1	
7		TA0290301M0		PLUG						1	
8		SM4040655SP		SCREW M4 L=6						1	
9		BT0600402EA		OIL TUBE						.03	
10		CQ303000000		OIL WICK						.1	

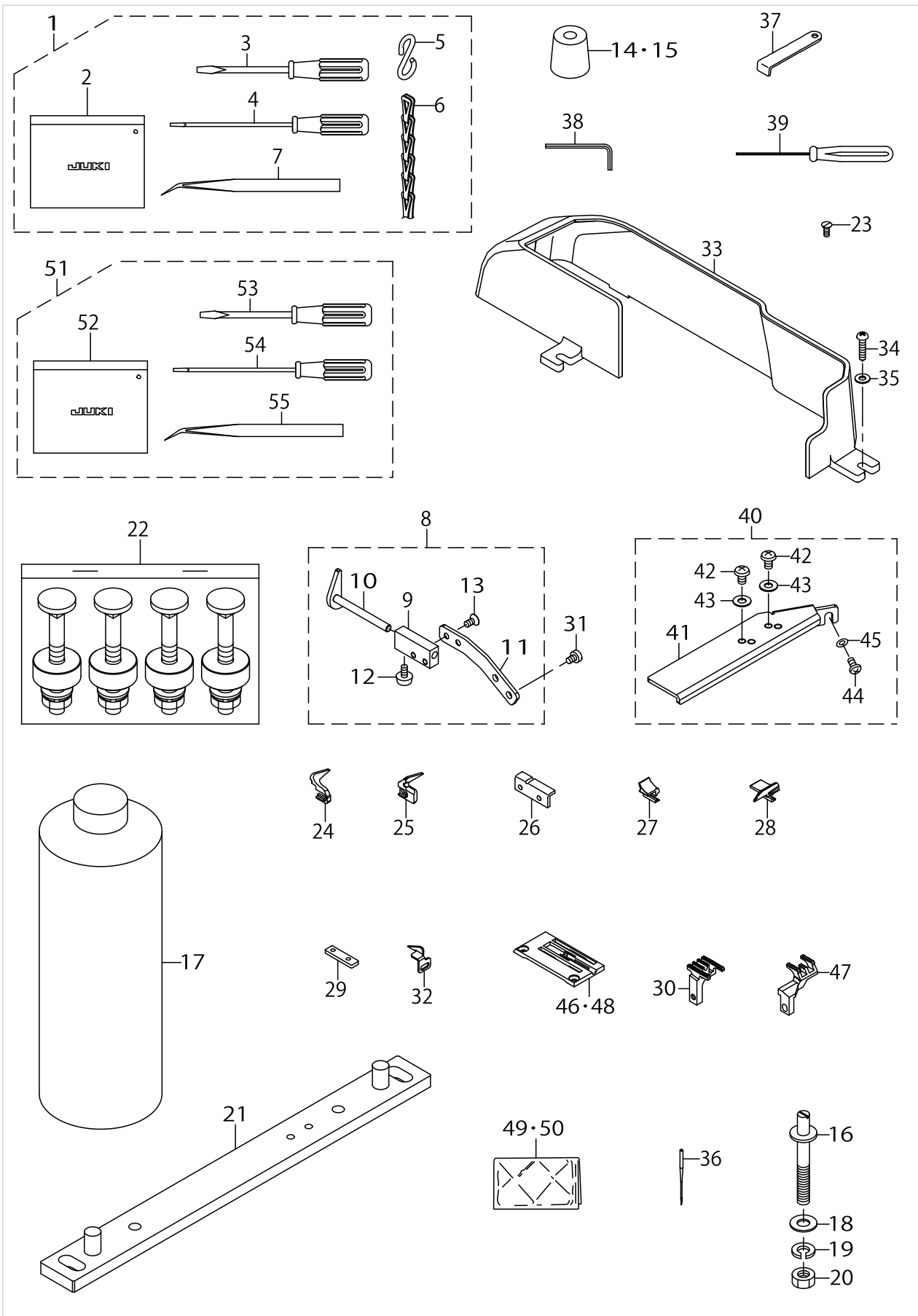
GAUGE PARTS COMPONENTS



GAUGE PARTS COMPONENTS

No.	Supply Code	Parts No.	Replacement	Parts name	Remarks	Choice	Step	Level	Cons	Qty	Rep. QTY
1		13350004		NEEDLE HEAD 32	FOR B32					1	
2		13350103		NEEDLE HEAD 40	FOR B40					1	
3		13350509		NEEDLE HEAD 48	FOR B48					1	
4		13350301		NEEDLE HEAD 56	FOR B56					1	
5		13350400		NEEDLE HEAD 64	FOR B64					1	
6		MUY128S1000		NEEDLE						2	
7		SM8030312TP		SCREW M3 L=3						3	
8		40058587		THROAT PLATE	FOR B32					1	
9		40058706		THROAT PLATE	FOR B40					1	
10		40040514		THROAT PLATE	FOR B48					1	
11		40058033		THROAT PLATE	FOR B56					1	
12		40040513		THROAT PLATE	FOR B64					1	
13		13431200		MAIN FEED DOG	FOR B32,B40,48					1	
14		13430103		MAIN FEED DOG	FOR B56,B64					1	
15		13433503		DIFF FEED DOG	FOR B32,B40,48					1	
16		13432109		DIFF FEED DOG	FOR B56,B64					1	
17		40090133		PRESSERFOOTASSY	FOR B32					1	
18		40090196		PRESSERFOOTASSY	FOR B40					1	
19		40090197		PRESSERFOOTASSY	FOR B48					1	
20		40082974		PRESSERFOOTASSY	FOR B56,B64					1	
21		40090130		PRESSER FOOT BOTTOM	FOR B32			*		1	
22		40090131		PRESSER FOOT BOTTOM	FOR B40			*		1	
23		40090132		PRESSER FOOT BOTTOM	FOR B48			*		1	
24	R	40082975	40082974	PRESSER FOOT BOTTOM	FOR B56,B64			*		1	1.00
25		40070224		PRESSER FOOT HINGE				*		1	
26		SM6040800SP		SCREW				*		1	
27		13375209		PIVOT PIN				*		1	
28		SM8030412TP		SCREW				*		1	
29		13377106		SPRING				*		1	
30		40070226		P F YIELDING SECTION				*		2	
31		40070227		GUIDE PLATE				*		2	
32		SM1850600SP		SCREW				*		2	
33		40070231		PRESSER FOOT GUIDE				*		1	
34		SM6850400SP		SCREW M2.5 L=4				*		1	
35		WP0280500SC		WASHER				*		1	
36		SM8031002TP		SCREW				*		1	
37		NM6030001SD		NUT M3X0.5				*		1	
38		40070230		SPRING R				*		1	
39		40070229		SPRING L				*		1	
40		PS0150065KP		SPRING PIN 1.5X6				*		2	
41		MUY128S1000		NEEDLE						3	
42		SM8030312TP		SCREW M3 L=3						4	

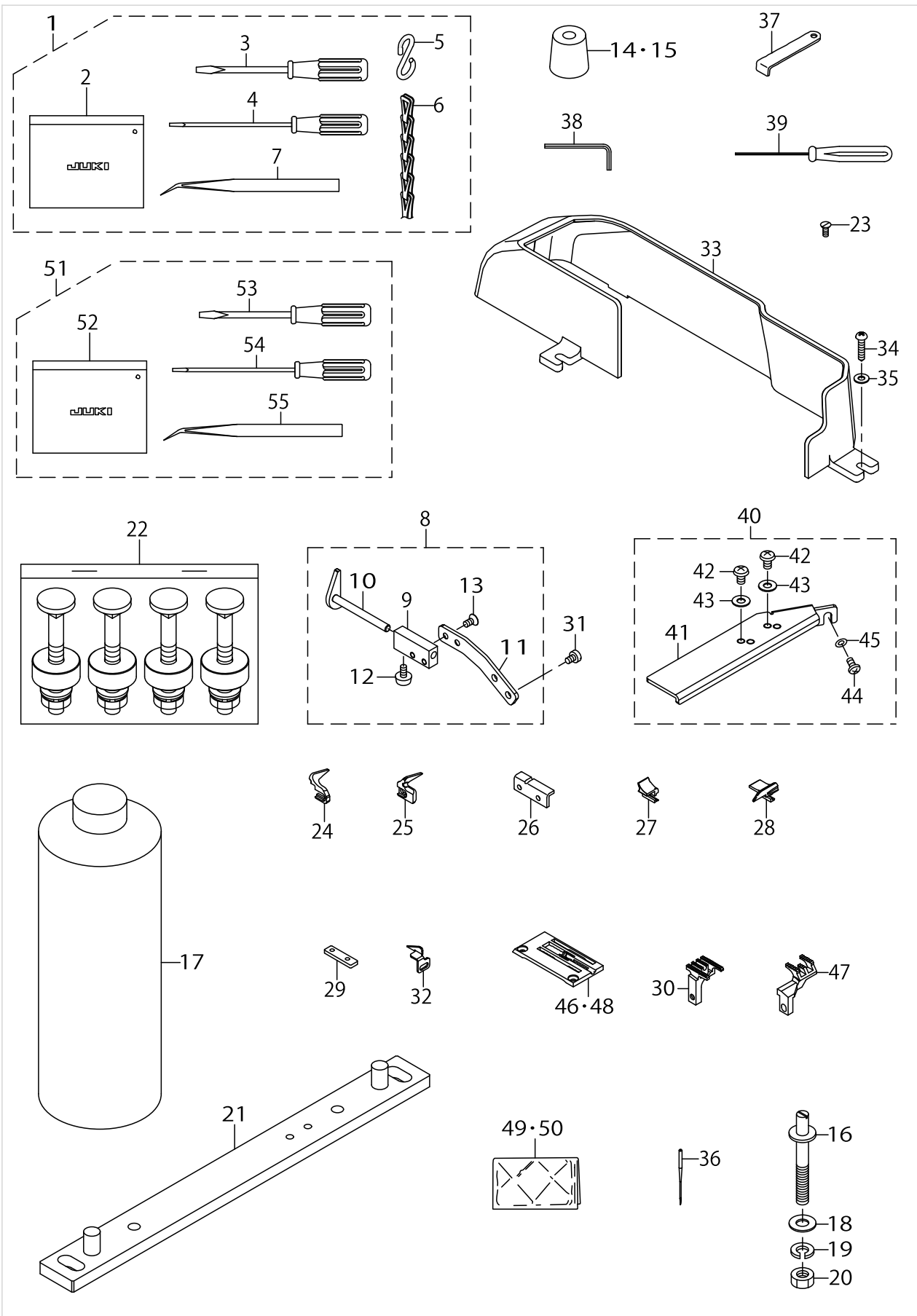
ACCESSORIES PARTS COMPONENTS



ACCESSORIES PARTS COMPONENTS

No.	Supply Code	Parts No.	Replacement	Parts name	Remarks	Choice	Step	Level	Cons	Qty	Rep. QTY
1		40013913		ACCESSORY_BAG_ASSY						1	
2		22932800		ACCESSORIE BAG				*		1	
3		22933105		SCREW DRIVER,MIDDLE				*		1	
4		12347308		SCREW DRIVER (SMALL)				*		1	
5		13160304		S SHAPED HOOK				*		2	
6		70001840		CHAIN				*		1	
7		12288403		TWEEZERS				*		1	
8		70001964		HEM_GUIDE_BASE_ASSY						1	
9		70001963		HEM_GUIDE_BASE_2				*		1	
10		70001967		HEM_GUIDE				*		1	
11		70001962		HEM_GUIDE_BASE_1				*		1	
12		40019379		KNOB_SCREW				*		1	
13		SM1040801SC		SCREW M4X0.7 L=8				*		2	
14		40072505		ISOLATOR						1	
15		13155403		ISOLATOR						3	
16		13349600		PIN_FOR_RUBBER_CUSHION						4	
17	R	MML018800CB	MML018900CA	JUKI CORPORATION GENUINE OIL 1						1	1.00
18		WP0851216SC		WASHER 8.5X18.0X1.2						4	
19		WS0820002KR		SPRING WASHER, M8						4	
20		NM6080001SC		NUT M8X1.25						4	
21		13348859		SUPPORT_PLATE_ASSY	SEMI-SUB- MERGED TYPE					2	
22		40026691		ASSY_BOLT_SET(78- 00_SUBMERGED)	SEMI-SUB- MERGED TYPE					1	
23		13302203		SCREW						1	
24		70001813		COVERING_GUIDE_RIGHT						1	
25		70001814		COVERING_GUIDE_LEFT						1	
26		70001847		BRACKET						1	
27		70001838		COVERING_GUARD_L						1	
28		70001839		COVERING_GUARD_R						1	
29		70001848		BRACKET						1	
30		13430707		MAIN_FEED_DOG	FOR B56,B64					1	
31		SM6040650TP		SCREW						2	
32		70001842		GUIDE_LEFT						1	
33		70001832		BELT_COVER						1	
34		SK3412001SE		WOOD SCREW D=4.1 L=20						3	
35		WP0450826SC		WASHER 4.5X10X0.8						3	
36		MUY128S1003		NEEDLES(PACKAGE_OF_3)						1	
37		B9101490000		DRIVER						1	
38		J106600000B		HEXAGONAL WRENCH KEY (2MM)						1	
39		40032763		HEXAGONAL_DRIVER(1.5)						1	
40		70001845		BINDER_BRACKET_ASSY						1	
41		70001844		BINDER_BRACKET				*		1	
42		SM5050855SN		SCREW M5 L=8				*		2	
43		WP0550836SC		WASHER 5.5X12X0.8				*		2	
44		SM4040855SP		SCREW				*		2	
45		WP0450801SC		WASHER 4.5X10X0.8				*		2	

ACCESSORIES PARTS COMPONENTS



ACCESSORIES PARTS COMPONENTS

No.	Supply Code	Parts No.	Replacement	Parts name	Remarks	Choice	Step	Level	Cons	Qty	Rep. QTY
46		13352307		THROAT_PLATE	FOR B56					1	
47		13432901		DIFF_FEED_DOG	FOR B56,B64					1	
48		13352406		THROAT_PLATE	FOR B64					1	
49		40066644		HEAD_COVER	FOR UT					1	
50		40066645		HEAD_COVER						1	
51		70004227		ACCESSORY_BAG_ASSY	FOR UT					1	
52		22932800		ACCESSORIE BAG				*		1	
53		22933105		SCREW DRIVER,MIDDLE				*		1	
54		12347308		SCREW DRIVER (SMALL)				*		1	
55		12288403		TWEEZERS				*		1	

HOW TO MAKE USE OF THIS PARTS LIST

1.As to "#01" and "#02" refer to the "Note" given at the bottom of the respective pages.

2.Codes on the "Qty" column

- Each numeral indicates the number of parts required.
- "0.1" and "2.5" indicate the length (in meters) of the respective parts.

3.Parentheses mean that the corresponding part is a subpart that constructs an assembly part.

4.Dotted lines on the Figures indicate assembly parts.

1. リストページの# 0 1、# 0 2の印は、ページ下の"注記"の説明を参照下さい。
2. 数量欄の数字は、個数を表し、0. 1、2. 5等の数値は、長さ（単位メートル）を表します。
3. 数量欄の（ ）は、組部品を構成している子部品であることを意味します。
4. イラストページの-----枠は、組構成であることを意味します。

NUMERICAL INDEX OF PARTS

PART NO	PAGE	REF NO.	PART NO	PAGE	REF NO.	PART NO	PAGE	REF NO.
10753309	2	9	13323308	16	9~11	13346408	44	69
11856101	48	6	13323407	16	9~11	13348008	26	19
12288403	52	55	13323506	16	9~11	13348859	52	21
12288403	54	55	13324108	8	62	13349600	52	16
12347308	52	54	13324108	10	62	13350004	50	1~3
12347308	54	54	13324504	26	5	13350103	50	1~3
13120605	18	80	13324603	26	8	13350301	50	4·5
13120605	36	22	13324702	26	10	13350400	50	4·5
13123302	22	40	13324900	26	14	13350509	50	1~3
13140504	40	5	13325006	26	16	13352307	54	46·48
13142500	44	43	13325204	26	24	13352406	54	46·48
13155403	52	14·15	13325808	28	48	13375209	50	27
13160304	52	5	13325907	28	49	13377106	50	29
13170105	42	33	13326004	28	50	13399209	30	11
13171004	42	34	13326103	28	51	13401906	4	5
13217401	22	36	13326202	28	52	13402003	4	24
13217500	22	35	13326202	32	35	13402706	4	37
13217708	22	38	13326301	26	39	13402805	32	36
13228200	42	10	13326400	26	40	13403605	4	43
13228309	42	6	13326509	26	42	13406707	8	2
13300801	2	12	13326608	26	44	13406905	8	1
13301106	2	25	13326707	28	54	13407408	8	5
13301205	2	24	13326806	12	45	13407903	8	30
13301700	2	15	13326905	26	35	13408307	10	79
13301809	4	30	13328000	30	3	13408406	8	7
13302203	4	17	13328208	30	4	13408505	8	9
13302203	52	23	13328802	30	27	13408604	8	31
13302302	4	32	13329008	30	13	13408703	8	28
13307251	8	46	13329206	30	22	13409107	18	66
13307301	10	51	13331301	32	8	13409602	22	4
13308507	8	22	13332606	32	5	13409651	22	3
13309208	10	71	13338900	30	23	13409701	22	5
13313101	12	3	13340005	40	21	13409800	4	42
13313309	12	4	13340104	40	22	13409800	22	6
13313804	12	11	13340302	40	6	13409909	22	1
13314109	12	15	13343009	42	2	13410204	16	13
13315205	12	18·21	13343108	42	5	13410600	16	22~24
13315908	12	8	13343207	42	11	13410709	16	22~24
13317300	16	21	13343306	42	12	13410808	16	22~24
13318001	18	71	13343405	42	7	13411152	18	82
13318308	18	81	13343801	42	42	13411301	18	76
13318704	16	15~17	13344809	44	44	13411400	18	75
13318803	16	15~17	13345053	42	25	13411509	16	36
13318902	16	15~17	13345202	44	45	13411707	18	64
13321203	22	39	13346101	42	38	13411806	18	69

NUMERICAL INDEX OF PARTS

PART NO	PAGE	REF NO.	PART NO	PAGE	REF NO.	PART NO	PAGE	REF NO.
13411905	18	52	13423009	36	24	22901805	2	34
13412002	18	49~51	13423306	36	42	22902506	2	2
13412101	18	49~51	13423405	36	35	22924708	2	11
13412200	18	49~51	13423504	36	39	22932800	52	52
13412705	22	20	13423603	36	38	22932800	54	52
13413208	22	21	13423702	36	43	22933105	52	53
13413604	18	58	13423801	36	46	22933105	54	53
13413703	18	89	13423801	38	46	22945505	26	43
13413802	18	90	13423900	36	14	22945802	26	41
13413901	18	87	13424304	36	9	23612609	26	9
13413950	18	86	13424403	36	16	23629306	44	70
13414008	18	88	13424452	36	15	23629504	42	30
13414107	18	92	13424502	36	18	23630007	42	65
13414206	20	94	13424601	36	33	23630007	44	65
13414404	16	42	13424700	38	45	26019000	40	7
13414503	18	61	13424809	38	49	30391601	26	25
13415708	16	26	13426002	42	4	40004606	30	21
13415906	16	29	13426051	42	1	40004749	42	18
13416003	22	9	13426101	42	8	40013913	52	1
13416052	22	8	13426200	42	9	40017824	8	35
13416102	22	10	13426408	42	36	40019335	32	13
13416201	22	11	13426754	44	64	40019379	52	12
13416409	22	16	13426903	6	68	40026691	52	22
13416458	22	15	13427257	42	23	40032763	52	39
13416508	22	19	13427307	44	47	40033341	2	14
13416607	22	17	13427455	44	71	40040155	22	33
13416706	22	23	13427604	42	41	40040208	22	26
13416854	22	22	13427703	44	68	40040513	50	10~12
13420005	34	8	13427752	44	67	40040514	50	10~12
13420104	34	11	13427802	44	61	40042363	40	9
13420203	34	15	13427851	44	60	40042364	40	10
13420302	34	17	13428008	44	53	40042365	40	11
13420401	34	1	13428255	44	66	40042366	40	12
13420500	34	5	13428305	44	62	40058033	50	10~12
13420609	34	6	13429055	48	1	40058587	50	8·9
13420906	34	18	13429105	48	3	40058706	50	8·9
13421003	34	10	13429204	48	4	40065785	40	2
13421201	34	2	13429303	48	5	40066644	54	49·50
13421300	34	12	13430103	50	13·14	40066645	54	49·50
13421409	34	19	13430707	52	30	40070224	50	25
13422001	36	1	13431200	50	13·14	40070226	50	30
13422605	36	8	13432109	50	15·16	40070227	50	31
13422704	36	19	13432901	54	47	40070229	50	39
13422803	36	21	13433503	50	15·16	40070230	50	38
13422902	36	26	13765607	44	63	40070231	50	33

NUMERICAL INDEX OF PARTS

PART NO	PAGE	REF NO.	PART NO	PAGE	REF NO.	PART NO	PAGE	REF NO.
40070573	12	2	40085995	28	55	70001458	8	25
40070574	12	1	40087068	32	3	70001462	14	49
40072505	52	14·15	40087083	14	68	70001463	14	59
40078278	10	65~67	40087101	14	69	70001465	14	48
40078279	10	65~67	40090130	50	21~24	70001477	12	37
40078280	10	65~67	40090131	50	21~24	70001478	12	35
40078282	10	77	40090132	50	21~24	70001480	12	5
40078291	14	56	40090133	50	17~20	70001481	12	6
40078292	14	50	40090196	50	17~20	70001483	12	9
40078293	14	47	40090197	50	17~20	70001485	12	13
40078293	30	33	40096325	46	9	70001486	12	19
40078295	14	60	40096326	46	7	70001487	12	29
40078296	14	65	40096327	46	5	70001488	12	32
40078299	14	63	40100769	32	34	70001489	12	33
40078300	14	64	40100771	32	26	70001490	12	34
40078301	14	57	40100773	32	25	70001491	12	39
40078302	14	52	40101602	40	13	70001492	12	42
40078303	14	54	40102003	40	14	70001493	12	43
40078304	14	58	40106574	46	6	70001494	12	22
40078305	14	51	40106575	46	2	70001495	12	25
40078306	14	53	40106576	46	29	70001498	12	18·21
40078307	12	17	40106577	46	18	70001499	12	7
40078311	30	15	40106578	46	19	70001500	14	70
40078312	30	16	40106579	46	30	70001524	16	1
40078313	30	17	40106580	46	28	70001525	16	2
40078314	30	18	40106583	46	27	70001535	10	60
40078317	14	62	40106592	46	1	70001536	10	61
40078318	30	1	70001403	18	67	70001537	26	3
40078319	30	2	70001407	2	28	70001540	26	18
40078320	14	66	70001409	2	7	70001541	26	29
40081965	8	34	70001411	2	1	70001542	26	31
40082196	4	15	70001414	4	40	70001543	26	32
40082974	50	17~20	70001416	2	5	70001544	28	58
40082975	50	21~24	70001421	2	13	70001545	28	60
40085784	46	8	70001430	2	36	70001546	26	20
40085785	46	11	70001432	10	74	70001548	26	13
40085788	46	15	70001436	6	54	70001555	30	6
40085789	46	14	70001437	8	43	70001556	30	29·31
40085790	46	16	70001439	8	44	70001561	30	10
40085791	46	17	70001440	10	54	70001562	30	14
40085792	46	13	70001442	10	58	70001563	30	29·31
40085793	46	12	70001443	10	49	70001584	32	38
40085794	46	4	70001444	10	63	70001610	40	1
40085795	46	3	70001451	8	39	70001612	40	4
40085796	46	10	70001454	10	57	70001613	40	18

NUMERICAL INDEX OF PARTS

PART NO	PAGE	REF NO.	PART NO	PAGE	REF NO.	PART NO	PAGE	REF NO.
70001614	40	19	70001712	24	47	70001975	44	52
70001615	40	16	70001714	20	97	70001988	32	1
70001616	40	17	70001715	16	7	70003278	8	21
70001617	40	15	70001716	16	40	70003316	8	11
70001620	40	8	70001718	22	37	70004184	8	38
70001631	44	57	70001719	18	84	70004227	54	51
70001638	10	55	70001720	16	5	B2546232000	16	30
70001642	6	58	70001721	16	38	B3215470000	18	74
70001643	6	59	70001729	32	6	B9101490000	52	37
70001645	6	56	70001734	32	16	B9214850000	26	21
70001648	4	33	70001735	32	18	BP30000010R	42	76
70001650	4	31	70001738	32	29	BP30000010R	44	76
70001652	4	45	70001745	32	31	BT0600402EA	48	9
70001653	4	3	70001749	34	3	CM300200001	2	35
70001655	4	2	70001750	34	14	CM300200001	6	63
70001657	4	1	70001751	32	41	CM301200001	2	37
70001661	4	10	70001752	32	22	CQ200000000	18	48
70001662	4	20	70001753	32	42	CQ202000000	16	18-19
70001663	4	21	70001754	32	12	CQ300000001	8	33
70001667	4	12	70001758	32	43	CQ300000001	16	63
70001668	4	26	70001761	36	27	CQ300000001	18	63
70001670	4	27	70001762	36	30	CQ303000000	16	25
70001671	4	35	70001764	32	33	CQ303000000	48	10
70001673	6	52	70001765	16	45	CS1000881TP	22	31
70001677	2	22	70001769	42	32	CS1000881TP	26	6
70001678	4	46	70001770	42	39	CS1000881TP	30	25
70001680	8	15	70001813	52	24	CS1000881TP	36	11
70001681	8	41	70001814	52	25	EA9500B0100	44	56
70001682	8	27	70001830	6	62	J106600000B	52	38
70001683	8	29	70001831	6	61	MML018800CB	52	17
70001685	8	17	70001832	52	33	MUY128S1000	50	41
70001686	8	20	70001837	2	27	MUY128S1003	52	36
70001687	8	16	70001838	52	27	NM6030001SC	32	37
70001697	16	3	70001839	52	28	NM6030001SD	50	37
70001699	18	55	70001840	52	6	NM6040000SN	2	19
70001700	16	6	70001842	52	32	NM6040000SN	4	51
70001701	16	39	70001844	52	41	NM6040000SN	6	51
70001702	16	27	70001845	52	40	NM6040000SN	16	35
70001703	16	28	70001847	52	26	NM6040000SN	44	77
70001705	18	65	70001848	52	29	NM6040002SC	46	33
70001706	18	68	70001954	34	21	NM6050001SC	16	79
70001707	22	25	70001962	52	11	NM6050001SC	18	79
70001709	22	28	70001963	52	9	NM6050001SC	26	45
70001710	22	29	70001964	52	8	NM6050001SC	30	8
70001711	22	30	70001967	52	10	NM6050001SC	36	23

NUMERICAL INDEX OF PARTS

PART NO	PAGE	REF NO.	PART NO	PAGE	REF NO.	PART NO	PAGE	REF NO.
NM6050001SC	44	50	SL4041081SC	48	2	SM4051255SP	18	85
NM6050001SE	46	23	SM1030400SP	6	57	SM4051405SE	46	20
NM6060001CP	12	27	SM1030501SN	4	28	SM4060801SE	2	26
NM6080001SC	52	20	SM1030800SM	32	4	SM4850455SP	22	14
NM6850001SC	32	40	SM1040650TP	26	38	SM4850455SP	26	37
PH0300252C0	4	7	SM1040750TP	28	59	SM4850455SP	32	28
PS0150042K0	36	20	SM1040800SP	4	36	SM5030555SN	32	32
PS0150065KP	50	40	SM1040801SC	52	13	SM5050855SN	52	42
PS0150082KH	26	22	SM1040860SP	4	25	SM6030650TP	22	12
PS0300122KH	8	32	SM1850600SP	50	32	SM6030800SP	6	47
PS0400082KP	26	34	SM4030455SN	2	17	SM6040600SP	42	14
PS0500142KP	12	20	SM4030455SP	32	24	SM6040650TP	32	30
PS0500202KP	22	46	SM4030455SP	36	32	SM6040650TP	52	31
RC1900002KP	6	69	SM4030855SN	2	18	SM6040750TP	4	19
RE0300000K0	22	45	SM4030855SN	12	46	SM6040800SP	4	22
RE0500000K0	16	78	SM4030855SN	26	27	SM6040800SP	12	38
RE0500000K0	18	78	SM4040655SP	2	23	SM6040800SP	20	95
RO037180100	4	9	SM4040655SP	4	53	SM6040800SP	28	47
RO055200100	18	77	SM4040655SP	6	53	SM6040800SP	34	4
RO068190100	18	83	SM4040655SP	8	40	SM6040800SP	50	26
RO068190100	22	27	SM4040655SP	12	10	SM6041000SP	12	55
RO118240100	36	29	SM4040655SP	22	42	SM6041000SP	14	55
RO195240100	2	10	SM4040655SP	26	56	SM6041000SP	18	91
RO445300100	10	78	SM4040655SP	28	56	SM6041000SP	30	30
SB110001800	32	7	SM4040655SP	32	44	SM6041000SP	36	41
SB115000600	32	10	SM4040655SP	40	23	SM6041002TP	38	47
SB115002300	8	14	SM4040655SP	42	58	SM6041200SP	12	14
SB120001800	8	4	SM4040655SP	44	58	SM6041200SP	30	28
SB120001900	10	68	SM4040655SP	48	8	SM6041202TP	12	23
SB120002200	10	53	SM4040855SP	2	6	SM6042002TP	16	34
SB32600020A	36	3~7	SM4040855SP	4	60	SM6043000SP	42	13
SB32600020B	36	3~7	SM4040855SP	6	60	SM6050800SP	4	44
SB32600020C	36	3~7	SM4040855SP	52	44	SM6050800SP	32	17
SB32600020D	36	3~7	SM4041055SP	2	8	SM6051002TP	12	30
SB32600020E	36	3~7	SM4041055SP	4	50	SM6051002TP	26	1
SD0550906TP	8	18	SM4041055SP	6	50	SM6051202TP	12	61
SD0640246SP	2	20	SM4041055SP	12	41	SM6051202TP	14	61
SD0640246SP	32	21	SM4041055SP	26	15	SM6051400SP	16	32
SD0700206TP	12	16	SM4041055SP	40	20	SM6051400SP	22	24
SD0700586TP	12	24	SM4041055SP	44	46	SM6051402TP	26	12
SD0800626TH	18	60	SM4041201SC	46	31	SM6051602TP	6	55
SD0801636TH	18	54	SM4041655SP	40	3	SM6051602TP	42	20
SD0801866TH	18	59	SM4042501SC	46	32	SM6052502TP	22	34
SK3412001SE	46	22	SM4051001SE	46	21	SM6061200SP	10	73
SK3412001SE	52	34	SM4051055SP	6	64	SM6061202TP	12	28

NUMERICAL INDEX OF PARTS

PART NO	PAGE	REF NO.	PART NO	PAGE	REF NO.	PART NO	PAGE	REF NO.
SM6061402TP	10	59	SM8060612TP	6	67	WP0450801SC	28	57
SM6061402TP	30	9	SM8060612TP	8	70	WP0450801SC	52	45
SM6061402TP	36	17	SM8060612TP	10	70	WP0450826SC	12	40
SM6062550TP	12	26	SM8060612TP	16	41	WP0450826SC	22	43
SM6081802TP	42	35	SM8060612TP	30	19	WP0450826SC	26	46
SM6083002TP	42	37	SM8060812TP	8	80	WP0450826SC	52	35
SM6850400SP	50	34	SM8060812TP	10	80	WP0450846SP	20	96
SM6850802TN	32	39	SM8060842TP	8	69	WP0460556SD	22	44
SM8030312TP	26	26	SM8060842TP	10	69	WP0522016SH	26	4
SM8030312TP	50	42	SM8061212TP	8	45	WP0531000SD	4	39
SM8030412TP	50	28	SM8080812TP	10	72	WP0531001SC	46	24
SM8031002TP	50	36	SM8550952TP	8	42	WP0550800SP	30	7
SM8040360TP	4	38	SM9061050TP	30	20	WP0550800SP	42	19
SM8040412TP	4	34	SQ0000451MZ	42	15	WP0550836SC	52	43
SM8040412TP	18	73	SQ0000452MZ	44	73	WP0551016SH	12	31
SM8040412TP	22	7	SQ0000453MZ	42	27	WP0621016SD	22	41
SM8040412TP	30	12	SQ0000454MZ	42	28	WP0851216SC	52	18
SM8040412TP	34	20	SQ2050391SD	44	72	WP1022016SH	30	24
SM8040412TP	36	48	SQ2050452MZ	44	48	WP1612616SE	46	25
SM8040412TP	38	48	SQ2060442SD	42	24	WS0510002KN	26	11
SM8040512TP	12	44	SQ2060443SD	42	74	WS0510002KN	46	26
SM8040602TP	18	72	SQ2060443SD	44	74	WS0510002KP	4	41
SM8040612TP	22	18	SQ2060451MZ	42	17	WS0510002KP	26	2
SM8041012TP	4	13	ST4040851SN	26	23	WS0820002KR	52	19
SM8050412TP	8	26	TA0290301M0	48	7	WZ0641510KP	2	16
SM8050412TP	30	26	TA0400301M0	36	10	WZ0641510KP	32	20
SM8050412TP	36	12	TA0500601M0	18	62			
SM8050412TP	42	3	TA0600401R0	30	32			
SM8050612TP	8	10	TA0600401R0	36	34			
SM8050612TP	16	99	TA0620504R0	32	2			
SM8050612TP	20	99	TA0850604R0	2	33			
SM8050612TP	22	32	TA0850604R0	14	67			
SM8050612TP	26	7	TA0980502R0	4	23			
SM8050612TP	32	11	TA1050504R0	2	3			
SM8050612TP	34	13	TA1250705R0	2	31			
SM8050612TP	36	2	TA2000502R0	6	65			
SM8050642TP	36	13	TA2050406R0	2	30			
SM8050812TP	20	93	TA2351004R0	6	66			
SM8050812TP	36	28	WP0280500SC	32	27			
SM8060552TP	8	23	WP0280500SC	50	35			
SM8060552TP	16	98	WP0280501SC	26	36			
SM8060552TP	18	98	WP0320500SC	36	31			
SM8060552TP	20	98	WP0320501SC	32	23			
SM8060552TP	22	13	WP0410516SD	32	19			
SM8060552TP	32	14	WP0450801SC	6	49			