

MODEL : T040SC

List No : 1628-00

# PARTS LIST

Published:05/12/2017

## CONTENTS

---

APPLICABLE MODELS & USAGE .....	1
KNIFE & MAGNET COMPONENTS.....	3
SENSOR & TENSION RELEASE MAGNET COMPONENTS .....	7
SENSOR,SWITCH & SOLENOID COMPONENTS .....	9
HOW TO MAKE USE OF THIS PARTS LIST .....	11

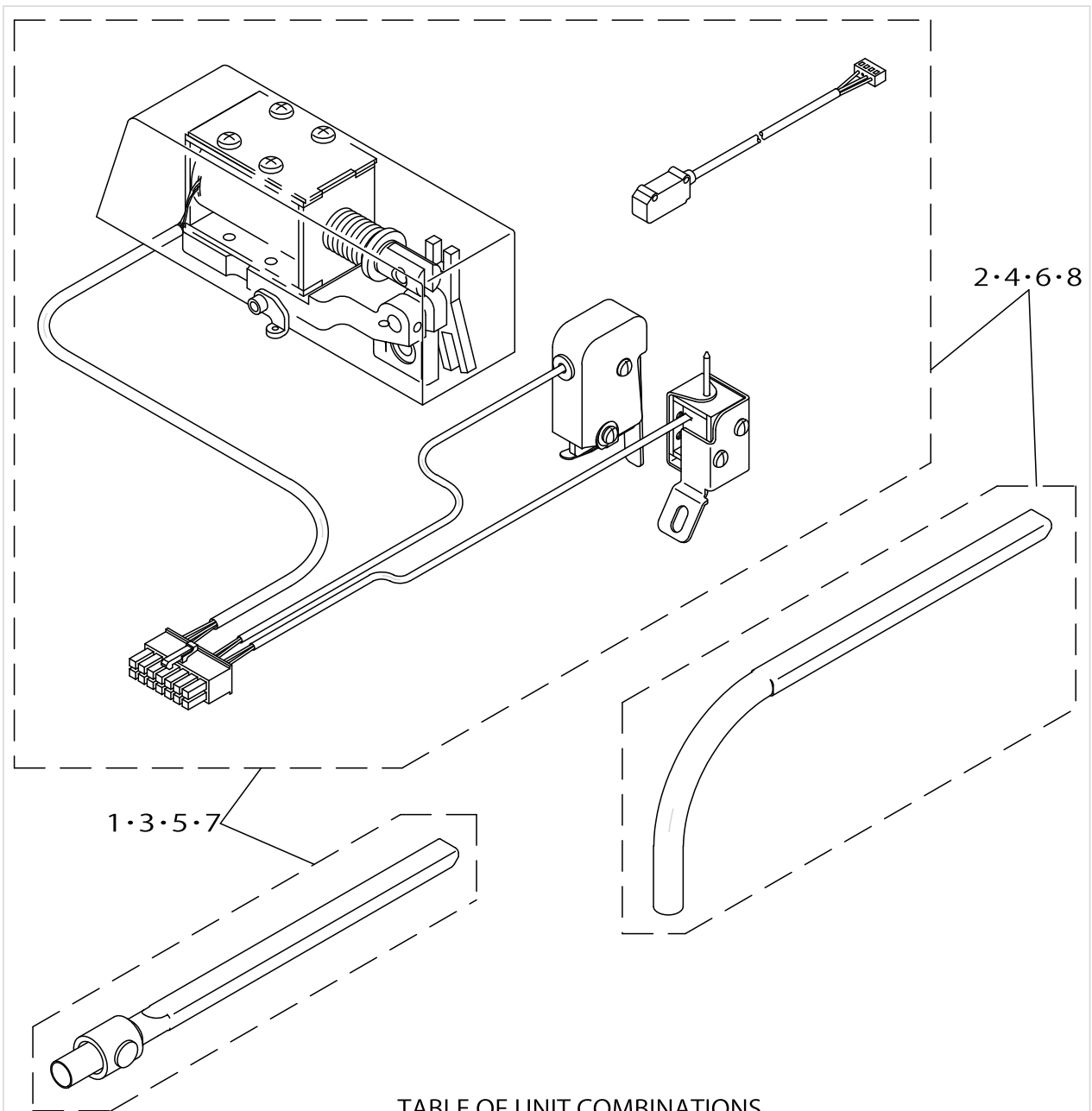


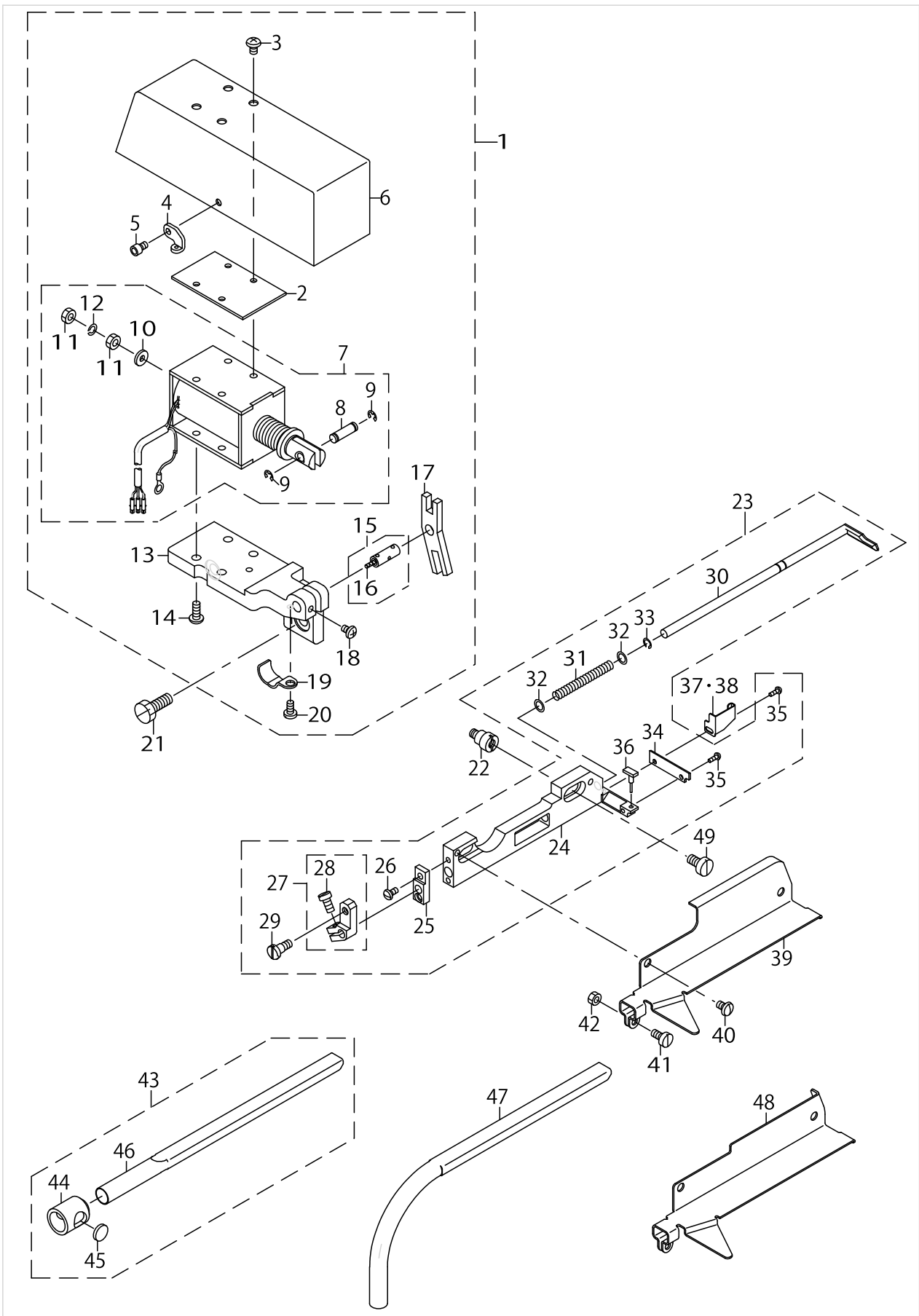
TABLE OF UNIT COMBINATIONS  
ユニット組合わせ表

Ref. No.	Part No. 品番	Table Type テーブル仕様	Applicable models 適用機種
1	401-33260	SEMI-SUNKEN 卓上式	MO-6△00S
2	401-33261	FULLY-SUNKEN 全沈式	
3	401-33262	SEMI-SUNKEN 卓上式	MO-6900R
4	401-33263	FULLY-SUNKEN 全沈式	
5	401-33264	SEMI-SUNKEN 卓上式	MO-6900G
6	401-33265	FULLY-SUNKEN 全沈式	
7	401-33266	SEMI-SUNKEN 卓上式	MO-6900J
8	401-33267	FULLY-SUNKEN 全沈式	

APPLICABLE MODELS & USAGE

No.	Supply Code	Parts No.	Replacement	Parts name	Remarks	Choice	Step	Level	Cons	Qty	Rep. QTY
1		40133260		T040SC SEMI SUNKEN MO-S						1	
2		40133261		T040SC FULLY SUNKEN MO-S						1	
3		40133262		T040SC SEMI SUNKEN MO-R						1	
4		40133263		T040SC FULLY SUNKEN MO-R						1	
5		40133264		T040SC SEMI SUNKEN MO-G						1	
6		40133265		T040SC FULLY SUNKEN MO-G						1	
7		40133266		T040SC SEMI SUNKEN MO-J						1	
8		40133267		T040SC FULLY SUNKEN MO-J						1	

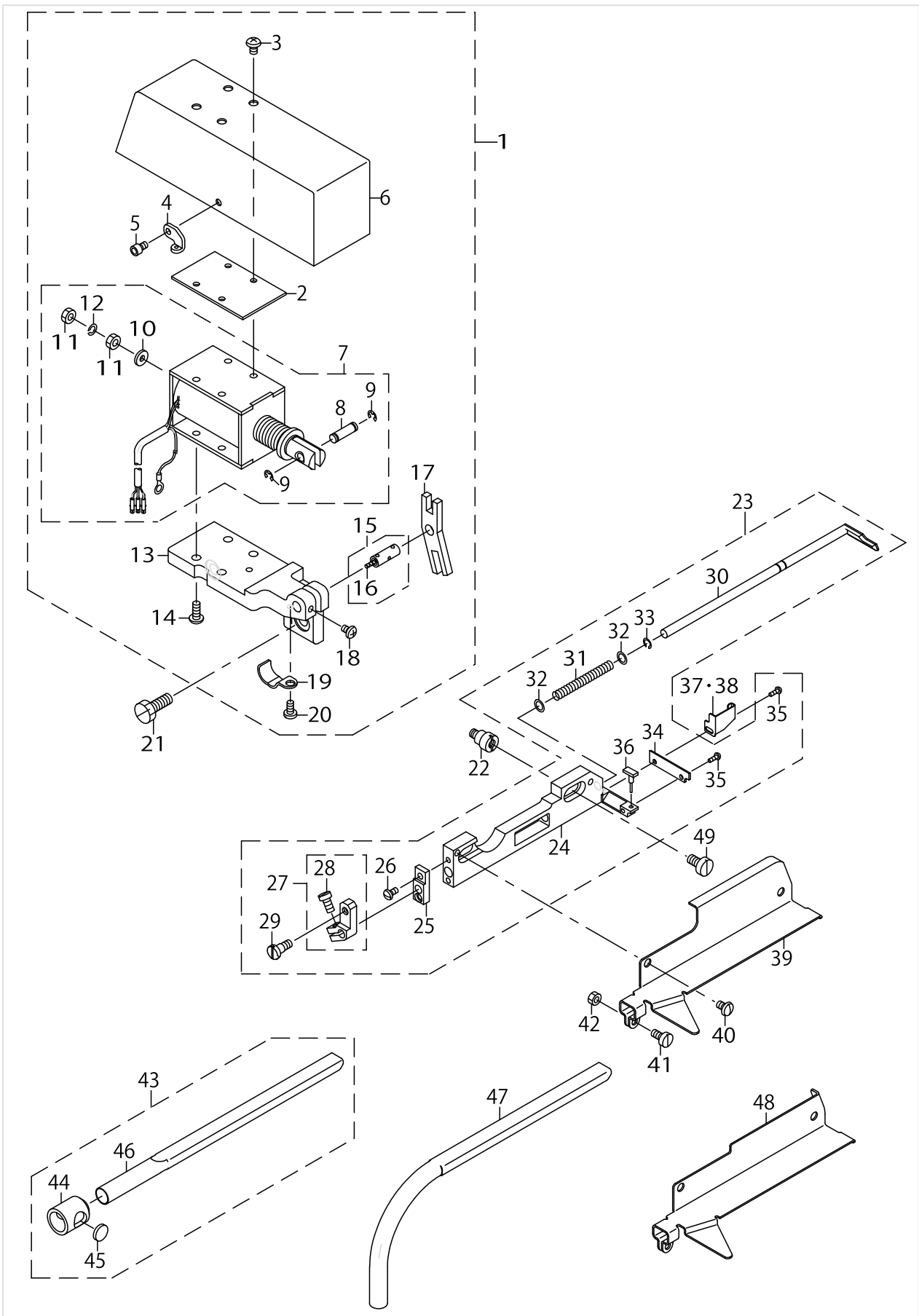
KNIFE & MAGNET COMPONENTS



KNIFE & MAGNET COMPONENTS

No.	Supply Code	Parts No.	Replacement	Parts name	Remarks	Choice	Step	Level	Cons	Qty	Rep. QTY
1		40133253		THREAD CUTTER MAGNET ASSY						1	
2		MAT81132T00		MAGNET RUBBER COVER				*		1	
3		SM4040601SB		SCREW M4 L=6				*		4	
4		B2526704000		LOWER LOOPER THREAD GUIDE				*		1	
5	R	SS6090630SP	SS6090630TP	SCREW 9/64-40 L=6				*		1	1.00
6	R	MAT03219000	MAT03219000A	MAGNET COVER				*		1	1.00
7		40133252		THREAD CUTTER MAGNET				*		1	
8		MAT80114T00		PLUNGER PIN				*		1	
9		RE0300000K0		E-RING 3				*		2	
10		MAT80115T00		WASHER				*		1	
11		NM6040001SE		NUT M4				*		2	
12		WS0411002KS		SPRING WASHER 4.1X7.6X1.0				*		1	
13		MAT03218000B		MAGNET WITH MOUNTING BASE				*		1	
14		SM4041001SB		SCREW M4 L=10				*		4	
15		B21160190A0		PIN ASM.				*		1	
16		CQ200000000		OIL WICK				*		0.2	
17		MAT00509000		KNIFEDRIVINGLEVER				*		1	
18		SS4090615SP		SCREW 9/64-40 L=6				*		1	
19		D2611555B0B		CABLE HOLDER B				*		1	
20		SS7090850SP		SCREW 9/64-40 L=8				*		1	
21		SS9151630CP		SCREW 15/64-28 L=15.5						2	
22		MAT01601000B		KNIFE BASE SPACER SCREW						2	
23	R	MAT015010A0A	MAT015010B0A	KNIFE BASE JUNCTION						1	1.00
24		MAT01501000A		KNIFE DRIVING SH-AFT MOUNTING B				*		1	
25		MAT80102T00		KINFE DRIVING SHAFT BUSHING				*		1	
26	R	SS4080610SP	SS4080620TP	SCREW 1/8-44 L=6.4				*		2	1.00
27		MAT005060A0		KNIFE DRIVING ARM ASM.				*		1	
28		SS6090810SP		SCREW 9/64-40 L= 7.5				*		1	
29		SD0500481TP		HINGE SCREW D= 5 H=4.8				*		1	
30	R	MAT00504000	MAT00504000A	DRIVING SHAFT				*		1	1.00
31		MAT80105T00		SPRING				*		1	
32		WP0510516SD		WASHER 5.1X7.5X0.5				*		2	
33		RC0410415KP		C-RING				*		1	
34		MAT00505000		KNIFE				*		1	
35		SS3060410SP		SCREW 3/32-56 L=4				*		2	
36		MAT81102T00A		KNIFE STOPPER				*		1	
37		MAT01603000		SIDE COVER	FOR MO-6- Δ00S,MO-6900R					1	
38		MAT01603A00		SIDE COVER	FOR MO-6- 900G,MO-6900J					1	
39		MAT04001000		KNIFE BASE COVER	FOR MO-6- Δ00S,MO-6900G					1	
40		SS5090610SP		SCREW 9/64-40 L=6						2	
41		SS6090810SP		SCREW 9/64-40 L=7.5						1	
42		NS6090310SP		NUT 9/64-40						1	
43		MAT81104TA0		PIPE ASM.	FOR SEMI- -SUNKEN TABLE					1	
44		MAT81105T00		VACUUM ADJUSTING VALVE	FOR SEMI- -SUNKEN TABLE			*		1	

KNIFE & MAGNET COMPONENTS

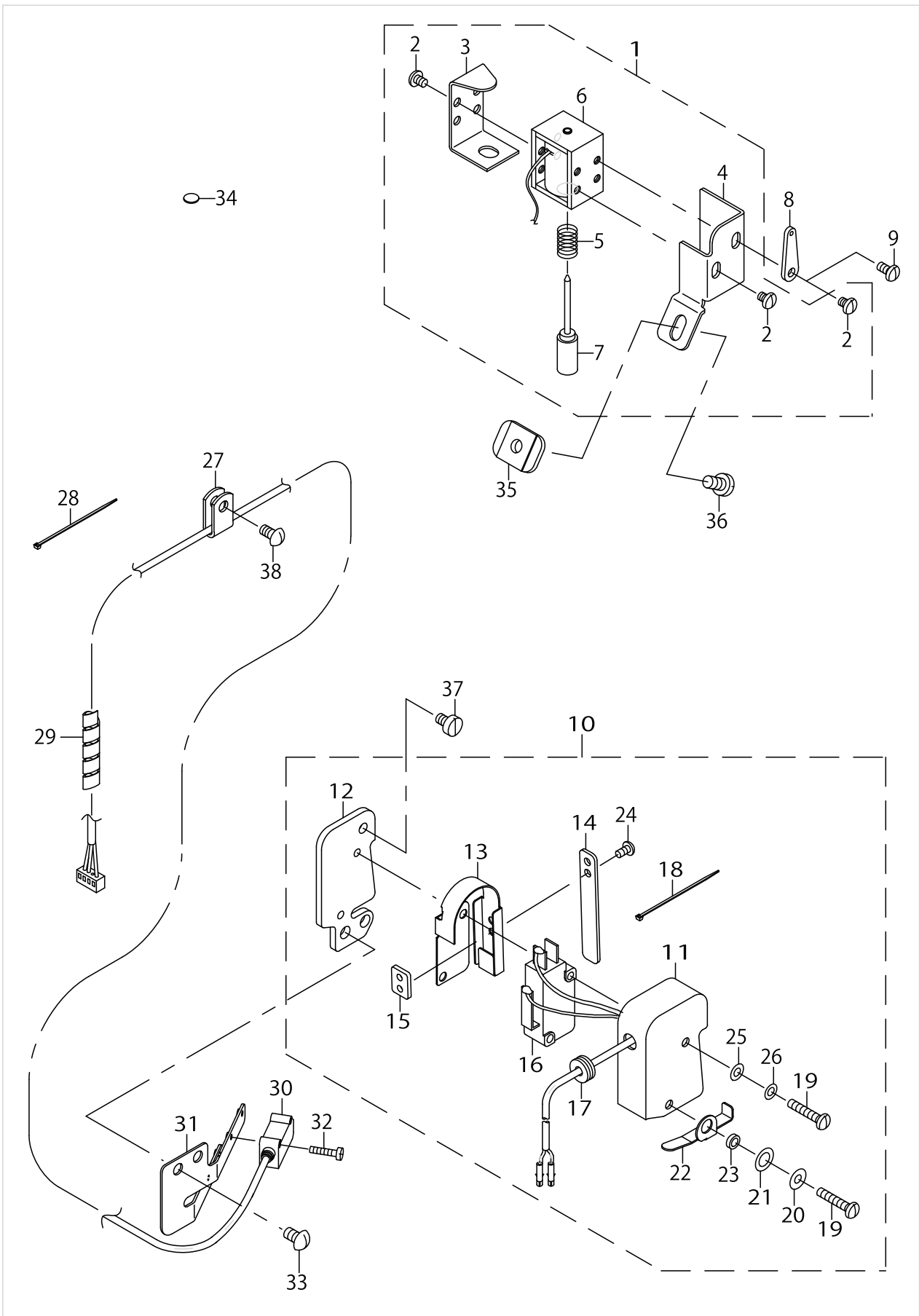


KNIFE & MAGNET COMPONENTS

No.	Supply Code	Parts No.	Replacement	Parts name	Remarks	Choice	Step	Level	Cons	Qty	Rep. QTY
45		MAT81106T00		VALVE NET	FOR SEMI-SUNKEN TABLE			*		1	
46		MAT81104T00		PIPE	FOR SEMI-SUNKEN TABLE			*		1	
47		MAT81104T0B		PIPE (B)	FOR FULL-Y-SUNKEN TABLE					1	
48		MAT04007000		KNIFE BASE COVER B	FOR MO-6-900R,MO-6900J					1	
49		SS6120940SP		SCREW 3/16-28 L=9						2	



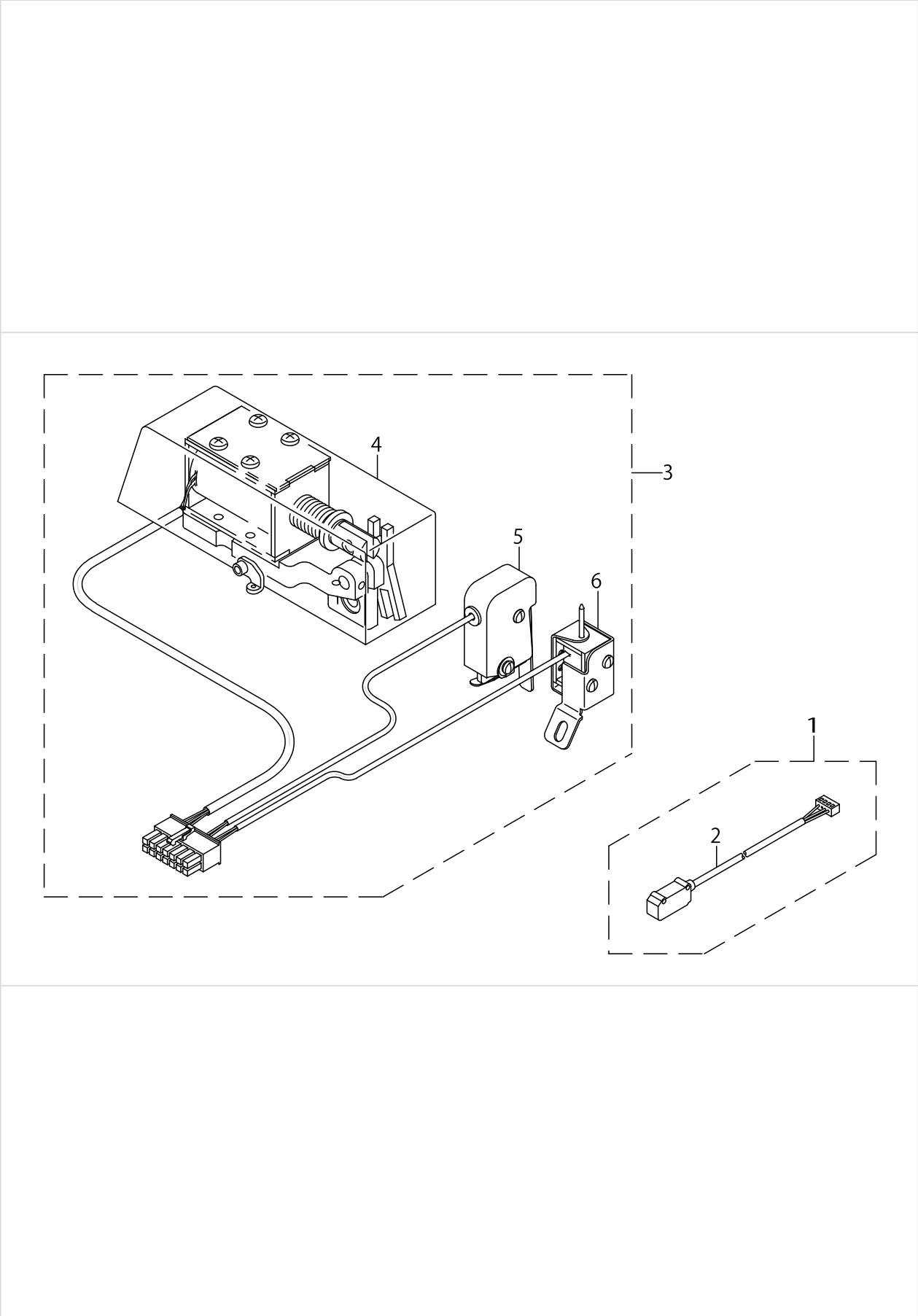
SENSOR & TENSION RELEASE MAGNET COMPONENTS



SENSOR & TENSION RELEASE MAGNET COMPONENTS

No.	Supply Code	Parts No.	Replacement	Parts name	Remarks	Choice	Step	Level	Cons	Qty	Rep. QTY
1		40042866		TENSION RELEASE MAGNET ASM.						1	
2		SM4030401SC		SCREW M3X0.5 L=4				*		6	
3		MAT81125T00A		TENSION RELEASING MAGNET COVER				*		1	
4	D	40009721		MAGNET ASM.				*		1	
5		MAT81124T00A		SPRING				*		1	
6	R	MAT01631000	MAT016310A0	TENSION RELEASE MAGNET				*		1	1.00
7		MAT81123T00A		TENSION RELEASING PLUNGER				*		1	
8		MAT01633000		THREAD GUIDE	FOR TWO-- NEEDLE O-- VEREDGER AND SAFE-- TY STITCHER					1	
9		SM4030601SN		SCREW M3 X 6	FOR TWO-- NEEDLE O-- VEREDGER AND SAFE-- TY STITCHER					1	
10		40042862		THREAD CUT SWITCH						1	
11		MAT03220000		SWITCH COVER				*		1	
12		MAT01652000		SWITCH INSTALLING PLATE				*		1	
13		MAT01653000		SWITCH PUSH PLATE				*		1	
14		MAT03902000		PUSH AUXILIARY PLATE				*		1	
15		MAT01663000		PUSH AUXILIARY REAR PLATE				*		1	
16		HA001900000		MICROSWITCH				*		1	
17		HX000550000		RUBBER BUSHING				*		1	
18		EA9500B0100		CABLE BAND				*		1	
19		SM4031601SC		SCREW M3 L=16				*		2	
20		WP0330501SB		WASHER M3				*		1	
21		WZ0541510KP		WAVED WASHER 5.4X9.0X0.3				*		1	
22		MAT00614000		SWITCH STOPPER				*		1	
23		MAT00615000		STOPPER COLLAR				*		1	
24		SM4860501SC		SCREW M 2.6 X 5				*		2	
25		WT0320001KN		WASHER				*		1	
26		WP0320500SC		WASHER M3				*		1	
27		HX001500000		CLIP						1	
28		EA9500B0100		CABLE BAND						2	
29		G5182120000		SPIRAL TUBE						.2	
30		40133250		CLOTHSENSORASSY						1	
31		40022695		SENSOR BASE						1	
32		SM6021000TP		SCREW						2	
33		SS3090710TP		SCREW 9/64-40 L=7						2	
34		40095094		REFLECTOR						1	
35		MAT04005000		MAGNET BASE						1	
36		SS7110840SP		SCREW 11/64-40 L=7.8						1	
37		SS6090610SP		SCREW 9/64-40 L=5.5						1	
38		SS3090710TP		SCREW 9/64-40 L=7						1	

SENSOR, SWITCH & SOLENOID COMPONENTS



SENSOR,SWITCH & SOLENOID COMPONENTS

No.	Supply Code	Parts No.	Replacement	Parts name	Remarks	Choice	Step	Level	Cons	Qty	Rep. QTY
1		40133250		CLOTHSENSORASSY						1	
2		HD002840000		SENSOR				*		1	
3		40133251		ACTUATOR ASSY						1	
4		40133253		THREAD CUTTER MAGNET ASSY				*		1	
5		40042862		THREAD CUT SWITCH				*		1	
6		40042866		TENSION RELEASE MAGNET ASM.				*		1	

## HOW TO MAKE USE OF THIS PARTS LIST

1.As to "#01" and "#02" refer to the "Note" given at the bottom of the respective pages.

2.Codes on the "Qty" column

- Each numeral indicates the number of parts required.
- "0.1" and "2.5" indicate the length (in meters) of the respective parts.

3.Parentheses mean that the corresponding part is a subpart that constructs an assembly part.

4.Dotted lines on the Figures indicate assembly parts.

1. リストページの# 0 1、# 0 2の印は、ページ下の"注記"の説明を参照下さい。
2. 数量欄の数字は、個数を表し、0. 1、2. 5等の数値は、長さ（単位メートル）を表します。
3. 数量欄の（ ）は、組部品を構成している子部品であることを意味します。
4. イラストページの-----枠は、組構成であることを意味します。

NUMERICAL INDEX OF PARTS

PART NO	PAGE	REF NO.	PART NO	PAGE	REF NO.	PART NO	PAGE	REF NO.
40009721	8	4	MAT01653000	8	13	SS7110840SP	8	36
40022695	8	31	MAT01663000	8	15	SS9151630CP	4	21
40042862	8	10	MAT03218000B	4	13	WP0320500SC	8	26
40042862	10	5	MAT03219000	4	6	WP0330501SB	8	20
40042866	8	1	MAT03220000	8	11	WP0510516SD	4	32
40042866	10	6	MAT03902000	8	14	WS0411002KS	4	12
40095094	8	34	MAT04001000	4	39	WT0320001KN	8	25
40133250	8	30	MAT04005000	8	35	WZ0541510KP	8	21
40133250	10	1	MAT04007000	6	48			
40133251	10	3	MAT80102T00	4	25			
40133252	4	7	MAT80105T00	4	31			
40133253	4	1	MAT80114T00	4	8			
40133253	10	4	MAT80115T00	4	10			
40133260	2	1·3·5·7	MAT81102T00A	4	36			
40133261	2	2·4·6·8	MAT81104T00	6	46			
40133262	2	1·3·5·7	MAT81104T0B	6	47			
40133263	2	2·4·6·8	MAT81104TA0	4	43			
40133264	2	1·3·5·7	MAT81105T00	4	44			
40133265	2	2·4·6·8	MAT81106T00	6	45			
40133266	2	1·3·5·7	MAT81123T00A	8	7			
40133267	2	2·4·6·8	MAT81124T00A	8	5			
B21160190A0	4	15	MAT81125T00A	8	3			
B2526704000	4	4	MAT81132T00	4	2			
CQ200000000	4	16	NM6040001SE	4	11			
D2611555B0B	4	19	NS6090310SP	4	42			
EA9500B0100	8	28	RC0410415KP	4	33			
G5182120000	8	29	RE0300000K0	4	9			
HA001900000	8	16	SD0500481TP	4	29			
HD002840000	10	2	SM4030401SC	8	2			
HX000550000	8	17	SM4030601SN	8	9			
HX001500000	8	27	SM4031601SC	8	19			
MAT00504000	4	30	SM4040601SB	4	3			
MAT00505000	4	34	SM4041001SB	4	14			
MAT005060A0	4	27	SM4860501SC	8	24			
MAT00509000	4	17	SM6021000TP	8	32			
MAT00614000	8	22	SS3060410SP	4	35			
MAT00615000	8	23	SS3090710TP	8	38			
MAT01501000A	4	24	SS4080610SP	4	26			
MAT015010A0A	4	23	SS4090615SP	4	18			
MAT01601000B	4	22	SS5090610SP	4	40			
MAT01603000	4	37·38	SS6090610SP	8	37			
MAT01603A00	4	37·38	SS6090630SP	4	5			
MAT01631000	8	6	SS6090810SP	4	41			
MAT01633000	8	8	SS6120940SP	6	49			
MAT01652000	8	12	SS7090850SP	4	20			