

MODEL : MD11
List No : 1640-00

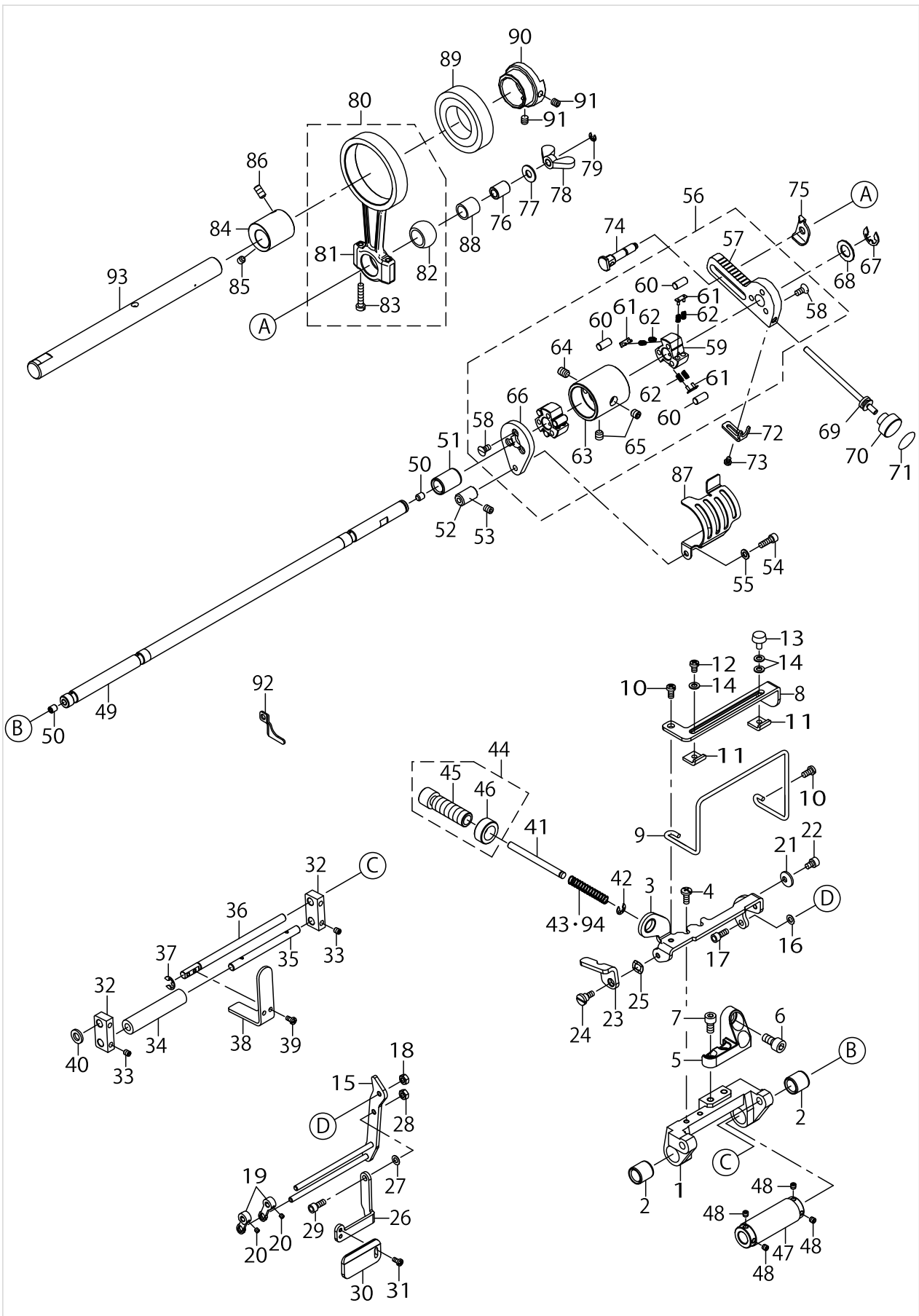
PARTS LIST

Published:05/12/2017

CONTENTS

DEVICE COMPONENTS	1
ACCESSORIE PARTS COMPONENTS	7
HOW TO MAKE USE OF THIS PARTS LIST	9

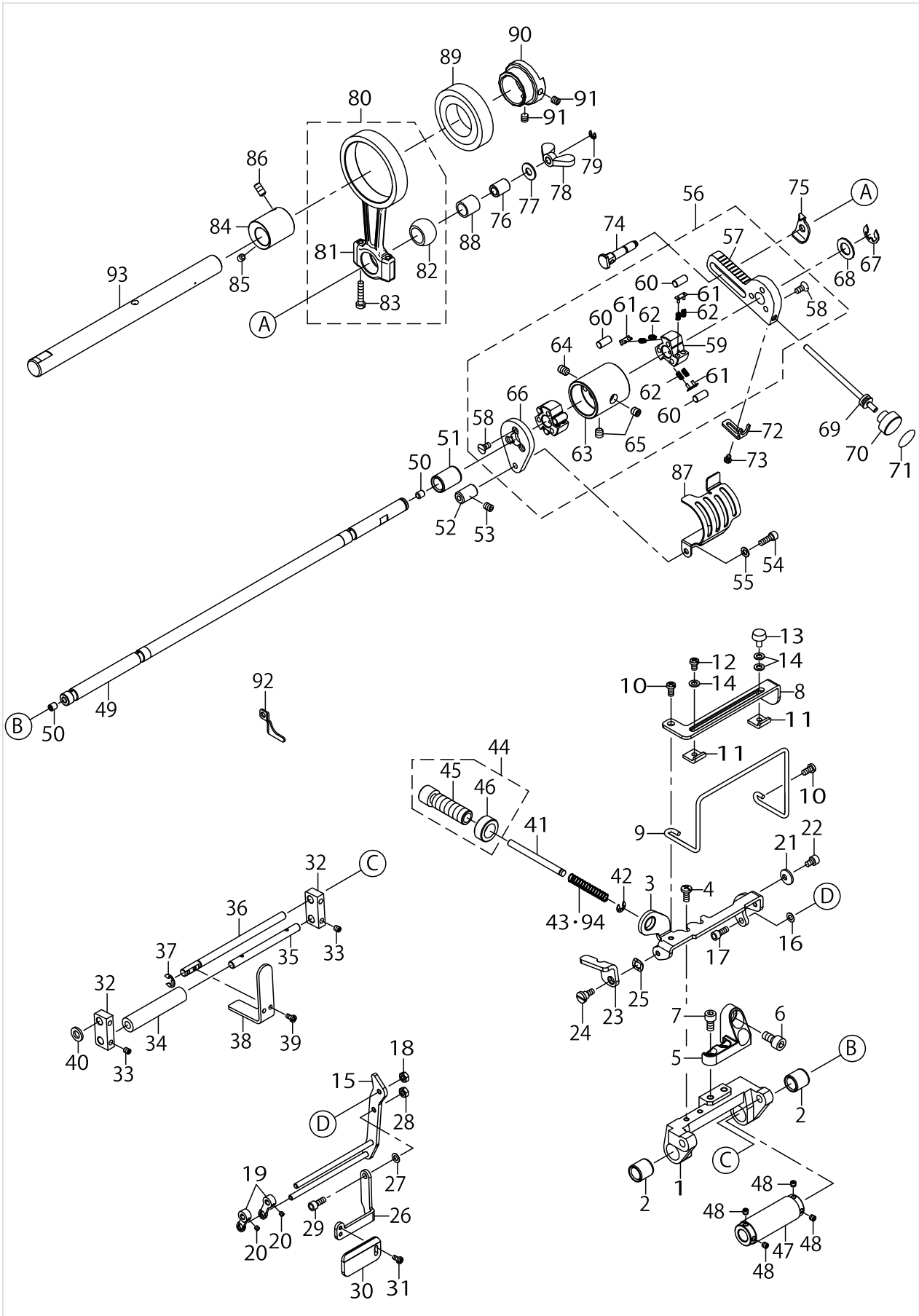
DEVICE COMPONENTS



DEVICE COMPONENTS

No.	Supply Code	Parts No.	Replacement	Parts name	Remarks	Choice	Step	Level	Cons	Qty	Rep. QTY
1		70003482		BASE						1	
2		40061169		DRIVE_SHAFT_METAL_B						2	
3		70003486		MD_BASE_PLATE						1	
4		SM5041055SN		SCREW M4X10						2	
5		40013671		INSTALLING_BASE						1	
6		SM6061202TP		SCREW M6 L=12						2	
7		SM6051002TP		SCREW M5X0.8 L=10						2	
8		70003491		GUIDE_PLATE						1	
9		70003479		TAPE_GUIDE						1	
10		SM4040855SP		SCREW						2	
11		40018265		SIDE_GUIDE_A						2	
12		SM4040655SP		SCREW M4 L=6						1	
13		40019379		KNOB_SCREW						1	
14		WP0430800SC		WASHER M4						3	
15		70003487		GUIDE_ARM_ASSY						1	
16		WZ0420350KP		DISC SPRING						1	
17		SM6041002TP		SCREW M4X0.7 L=10						1	
18		NM6040002SN		NUT M4						1	
19		40079805		TAPE_STOPPER						2	
20		SM8030312TP		SCREW M3 L=3						2	
21		40079808		STOPPER						1	
22		SM6040602TP		SCREW M4X0.7 L=6						1	
23		40019606		DRIVEN_ROLLER_STOPPER						1	
24		SD0600406TP		SHOULDER_SCREW						1	
25		WZ0641510KP		WAVED WASHER 6.4X11X0.3						1	
26		70003490		EYE_GUARD_ARM_B						1	
27		WZ0420350KP		DISC SPRING						1	
28		NM6040002SN		NUT M4						1	
29		SM6041002TP		SCREW M4X0.7 L=10						1	
30		40020003		PROTECTION_SHIELD						1	
31		SM4030655SP		SCREW						2	
32		40064101		DRIVEN_ROLLER_ARM						2	
33		SM8040512TP		SCREW						4	
34		70003480		DRIVEN_ROLLER						1	
35		70003481		DRIVEN_ROLLER_SHAFT						1	
36		70003492		DRIVEN_ROLLER_ARM_SHAFT						1	
37		RE0500000K0		E-RING						1	
38	D	40018261		PRESSER_PLATE						1	
39		SM4030655SP		SCREW						2	
40		WP0641600SC		WASHEW6.4X12.5X1.6						1	
41		40011178		PRESSER_BAR						1	
42		RE0400000K0		E-RING 4						1	
43	D	40019668		SPRING						1	
44		40022666		PRESSER_SPRING_- REGULATOR_ASSY						1	
45		40011179		PRESSER SPRING REGULATOR				*		1	
46		40011180		NUT				*		1	

DEVICE COMPONENTS



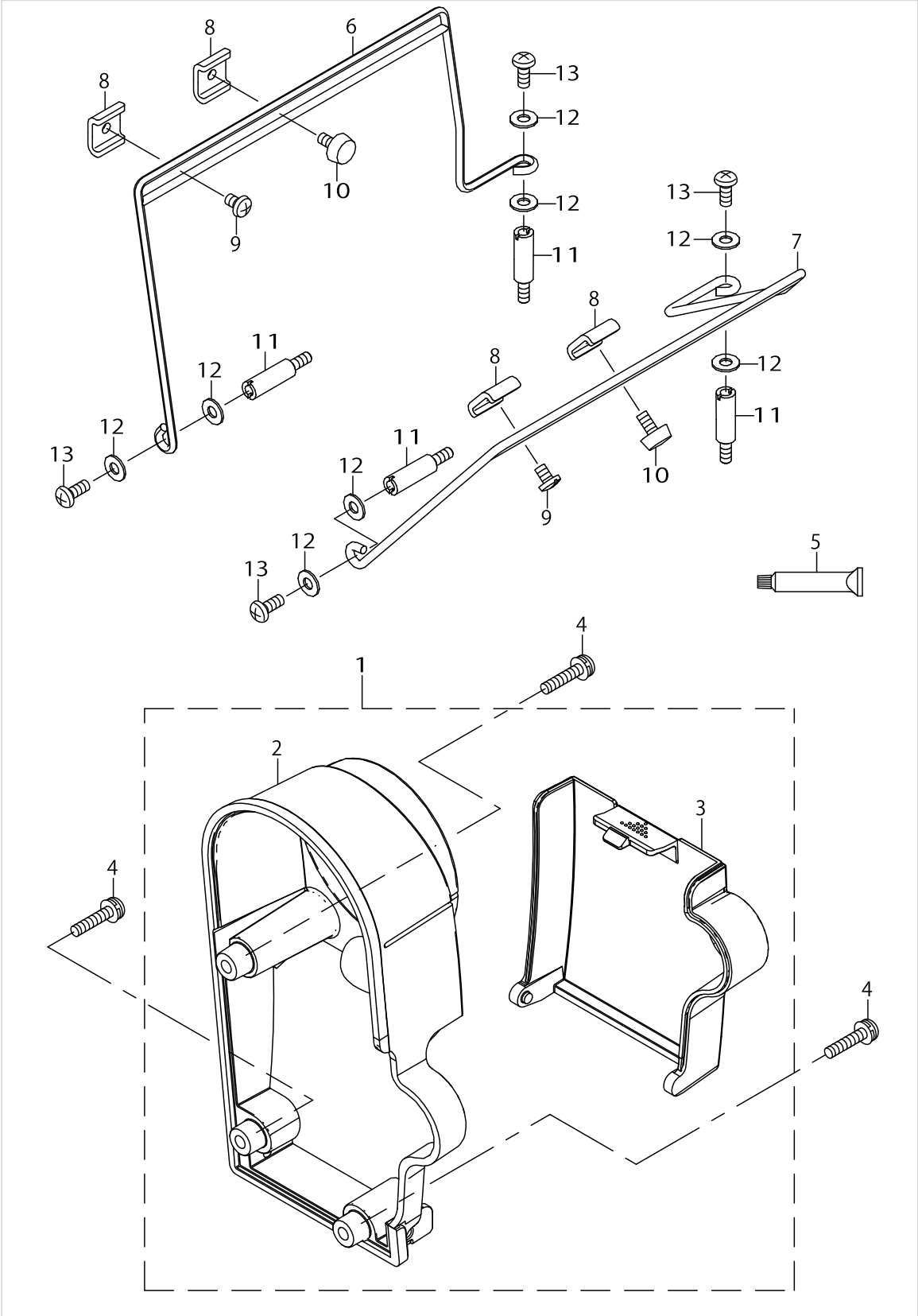
DEVICE COMPONENTS

No.	Supply Code	Parts No.	Replacement	Parts name	Remarks	Choice	Step	Level	Cons	Qty	Rep. QTY
47		40062308		DRIVE_ROLLER						1	
48		SM8040412TP		SET SCREW M4 L=4						4	
49		70003493		DRIVE_SHAFT						1	
50		SM8050612TP		SCREW M5X6						2	
51		40019621		DRIVE_SHAFT_METAL_A						1	
52		40011189		BUSHING						1	
53		SM8050612TP		SCREW M5X6						1	
54		SM6041202TP		SCREW M4X0.7 L=12						1	
55		WP0430800SC		WASHER M4						1	
56		40072935		CLUTCH_ASSY						1	
57		40072920		FEED_REGULATOR_ARM				*		1	
58		SM1040950TP		SCREW M4 L=9				*		6	
59		40072914		CLUTCH				*		2	
60		40072916		PIN				*		6	
61		40072919		GUIDE_PLATE_ASSY				*		6	
62		40072922		SPRING				*		12	
63		40072915		DRUM_CLUTCH				*		1	
64		SM8060812TP		SCREW M6 L=8				*		1	
65		SM8060612TP		SCREW M6 L=6				*		2	
66		40072921		CLUTCH_MOUNTING_PLATE				*		1	
67		RE0800000K0		E-SHAPED SNAP RING (8MM)						1	
68		WP1021016SD		WASHER						1	
69		40101190		FEED_REGULATOR_SCREW						1	
70		G6036870000		POCKET PRESSER KNOB						1	
71		11212503		STOPPER DIAL PLATE						1	
72		40011196		FEED_REGULATOR_FIX_PLATE						1	
73		SM4030455SP		SCREW						2	
74		40011198		FULCRUM_SHAFT						1	
75		40011197		SCALE_POINTER						1	
76		70003471		NEEDLE_INNER_RING						1	
77		WP0621046SP		WASHER						1	
78		NM9060610SE		WING NUT M6						1	
79		RE0300000K0		E-RING 3						1	
80		70003468		FEED_ROD_ASSY						1	
81		70003469		FEED_ROD				*		1	
82		70003470		FEED_ROD_BALL				*		1	
83		SM6042000SP		SCREW				*		2	
84		70003472		FEED_CAM_A						1	
85		SM8050502TP		SCREW M5 L=5						1	
86		SM8051002TP		SCREW M5 L=10						1	
87		40101457		MD_COVER						1	
88		70003465		BEARING						1	
89		70003467		BEARING						1	
90		70003473		FEED_CAM_B						1	
91		SM8050502TP		SCREW M5 L=5						2	
92		70003994		FINGER_GUARD_MD11						1	

DEVICE COMPONENTS

No.	Supply Code	Parts No.	Replacement	Parts name	Remarks	Choice	Step	Level	Cons	Qty	Rep. QTY
93		70003474		UPPER_MAINSHAFT_RIGHT						1	
94		40075049		SPRING	OPTIONAL PARTS					1	

ACCESSORIE PARTS COMPONENTS



ACCESSORIE PARTS COMPONENTS

No.	Supply Code	Parts No.	Replacement	Parts name	Remarks	Choice	Step	Level	Cons	Qty	Rep. QTY
1		70003475		PULLEY_COVER_ASSY						1	
2		70003476		PULLEY_COVER_A				*		1	
3		70003477		PULLEY_COVER_B				*		1	
4		SL4042091SC		SCREW M4X0.7 L=20						3	
5		13525506		GREASE TUBE						1	
6		40072924		SUPPORT GUIDE C						1	
7		40012144		SUPPORT_GUIDE_A						1	
8		40018266		SIDE_GUIDE_B						4	
9		SM5040655SN		SCREW						2	
10		40019379		KNOB_SCREW						2	
11		40011205		STUD						4	
12		WP0450826SC		WASHER 4.5X10X0.8						8	
13		SM4041055SP		SCREW						4	

HOW TO MAKE USE OF THIS PARTS LIST

1.As to "#01" and "#02" refer to the "Note" given at the bottom of the respective pages.

2.Codes on the "Qty" column

- Each numeral indicates the number of parts required.
- "0.1" and "2.5" indicate the length (in meters) of the respective parts.

3.Parentheses mean that the corresponding part is a subpart that constructs an assembly part.

4.Dotted lines on the Figures indicate assembly parts.

1. リストページの# 0 1、# 0 2の印は、ページ下の"注記"の説明を参照下さい。
2. 数量欄の数字は、個数を表し、0. 1、2. 5等の数値は、長さ（単位メートル）を表します。
3. 数量欄の（ ）は、組部品を構成している子部品であることを意味します。
4. イラストページの-----枠は、組構成であることを意味します。

NUMERICAL INDEX OF PARTS

PART NO	PAGE	REF NO.	PART NO	PAGE	REF NO.	PART NO	PAGE	REF NO.
11212503	4	71	70003472	4	84	SM8051002TP	4	86
13525506	8	5	70003473	4	90	SM8060612TP	4	65
40011178	2	41	70003474	6	93	SM8060812TP	4	64
40011179	2	45	70003475	8	1	WP0430800SC	2	55
40011180	2	46	70003476	8	2	WP0430800SC	4	55
40011189	4	52	70003477	8	3	WP0450826SC	8	12
40011196	4	72	70003479	2	9	WP0621046SP	4	77
40011197	4	75	70003480	2	34	WP0641600SC	2	40
40011198	4	74	70003481	2	35	WP1021016SD	4	68
40011205	8	11	70003482	2	1	WZ0420350KP	2	27
40012144	8	7	70003486	2	3	WZ0641510KP	2	25
40013671	2	5	70003487	2	15			
40018261	2	38	70003490	2	26			
40018265	2	11	70003491	2	8			
40018266	8	8	70003492	2	36			
40019379	2	13	70003493	4	49			
40019379	8	10	70003994	4	92			
40019606	2	23	G6036870000	4	70			
40019621	4	51	NM6040002SN	2	28			
40019668	2	43-94	NM9060610SE	4	78			
40020003	2	30	RE0300000K0	4	79			
40022666	2	44	RE0400000K0	2	42			
40061169	2	2	RE0500000K0	2	37			
40062308	4	47	RE0800000K0	4	67			
40064101	2	32	SD0600406TP	2	24			
40072914	4	59	SL4042091SC	8	4			
40072915	4	63	SM1040950TP	4	58			
40072916	4	60	SM4030455SP	4	73			
40072919	4	61	SM4030655SP	2	39			
40072920	4	57	SM4040655SP	2	12			
40072921	4	66	SM4040855SP	2	10			
40072922	4	62	SM4041055SP	8	13			
40072924	8	6	SM5040655SN	8	9			
40072935	4	56	SM5041055SN	2	4			
40075049	6	43-94	SM6040602TP	2	22			
40079805	2	19	SM6041002TP	2	29			
40079808	2	21	SM6041202TP	4	54			
40101190	4	69	SM6042000SP	4	83			
40101457	4	87	SM6051002TP	2	7			
70003465	4	88	SM6061202TP	2	6			
70003467	4	89	SM8030312TP	2	20			
70003468	4	80	SM8040412TP	4	48			
70003469	4	81	SM8040512TP	2	33			
70003470	4	82	SM8050502TP	4	91			
70003471	4	76	SM8050612TP	4	53			