

MODEL : MF-7900-E22/E23

List No : 1642-00

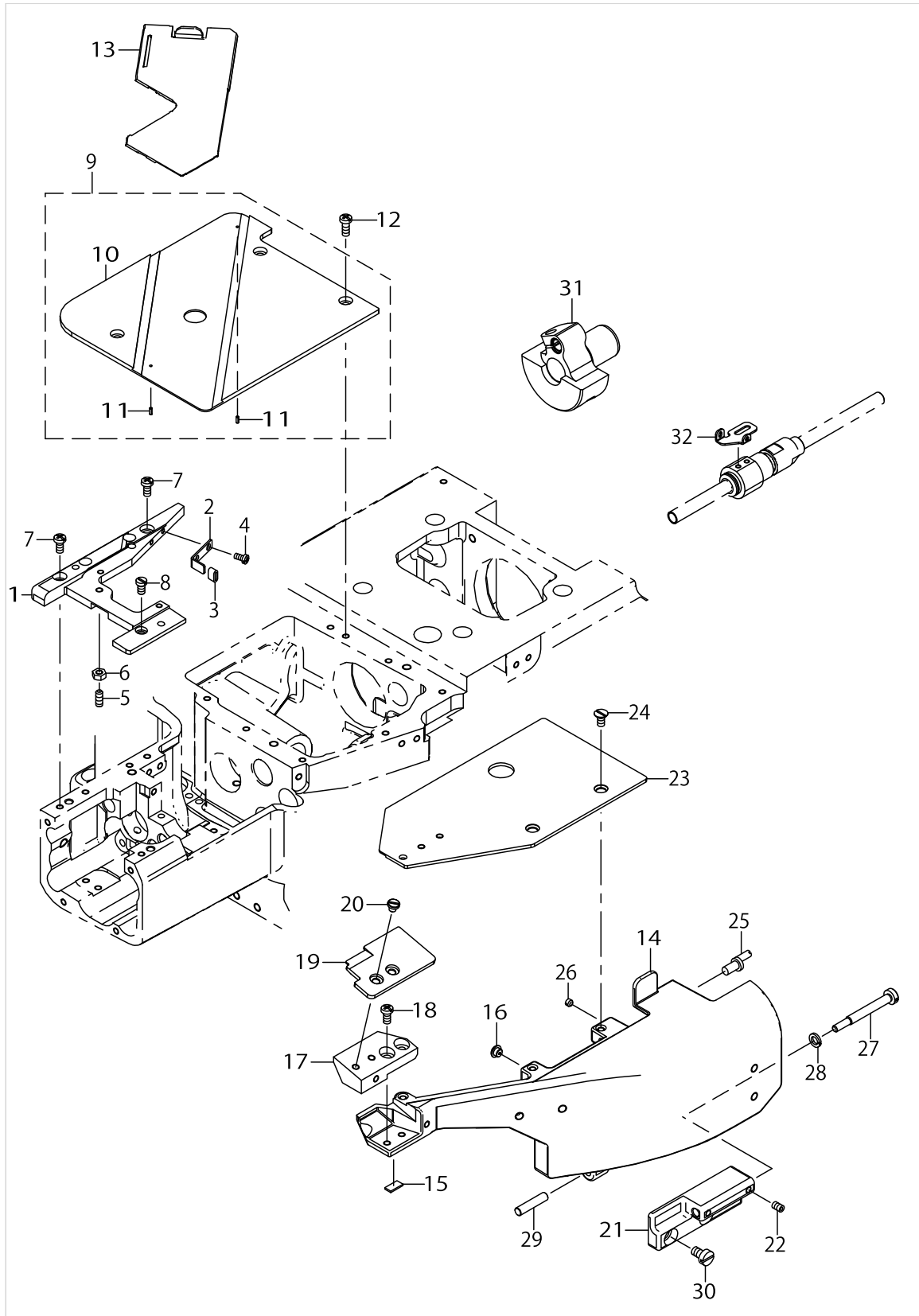
PARTS LIST

Published:05/12/2017

CONTENTS

MISCELLANEOUS COVER COMPONENTS.....	1
TENSION ROLLER COMPONENTS.....	3
BINDER COMPONENTS.....	7
KNEE SWITCH COMPONENTS (FOR E22).....	11
KNEE SWITCH VALVE COMPONENTS (FOR E23).....	13
GAUGE COMPONENTS.....	15
HOW TO MAKE USE OF THIS PARTS LIST.....	17

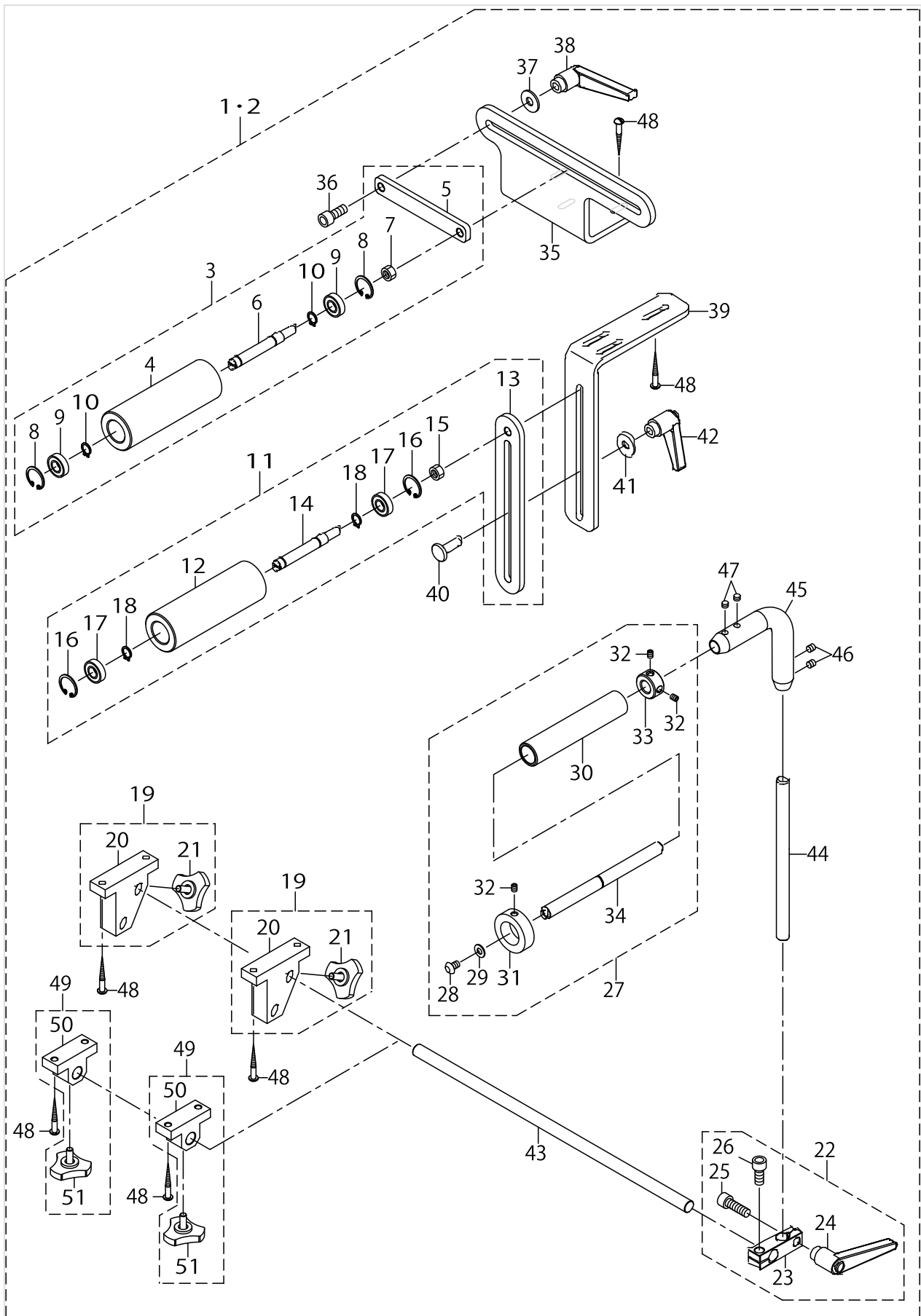
MISCELLANEOUS COVER COMPONENTS



MISCELLANEOUS COVER COMPONENTS

No.	Supply Code	Parts No.	Replacement	Parts name	Remarks	Choice	Step	Level	Cons	Qty	Rep. QTY
1		70003404		THROAT_PLATE_SUPPORT_E22						1	
2		13403407		SLIDE_COVER_SUPPORT						1	
3		23630007		TUBE						.01	
4		SM4030655SP		SCREW						2	
5		SM8041012TP		SCREW M4 L=10						1	
6		NM6040001SC		NUT M4X0.7 TYPE1						1	
7		SM4040855SP		SCREW						2	
8		SM6040660TP		SCREW M4 L=6						1	
9		70003355		CLOTH_PLATE_ASSY						1	
10		70003357		CLOTH_PLATE_REAR				*		1	
11		PS0150042K0		SPRING PIN 1.5X 4				*		2	
12		SM4041055SP		SCREW						3	
13		40024796		SG_SLIDE_COVER						1	
14		70003402		SWING_DOWN_COVER_E22						1	
15		13403605		RUBBER_PLATE						1	
16		13302302		RUBBER BUMPER						1	
17		70003405		CLOTH_PLATE_BLOCK						1	
18		SM4040855SP		SCREW						2	
19		70003414		CLOTH_PLATE						1	
20		SM6040450TP		SCREW M4 L=4						2	
21		70001648		HINGE						1	
22		SM8040412TP		SET SCREW M4 L=4						2	
23		70003409		CLOTH_PLATE_FRONT_E22						1	
24		SM1040800SP		SCREW						2	
25		13402706		PIN FOR COVER						1	
26		SM8040360TP		SCREW						1	
27		70001414		SCREW						1	
28		WS0510002KP		SPRING WASHER 5.1X9.2X1.3						1	
29		13409800		DIFF_LINK_PIN						1	
30		SM6050800SP		SCREW M5 L=8						2	
31		70003417		COUNTER_WEIGHT_33_35						1	
32	R	70003363	70004367	THREAD_GUIDE		A				1	1.00
32	R	70003363	70004730	THREAD_GUIDE		A				1	1.00

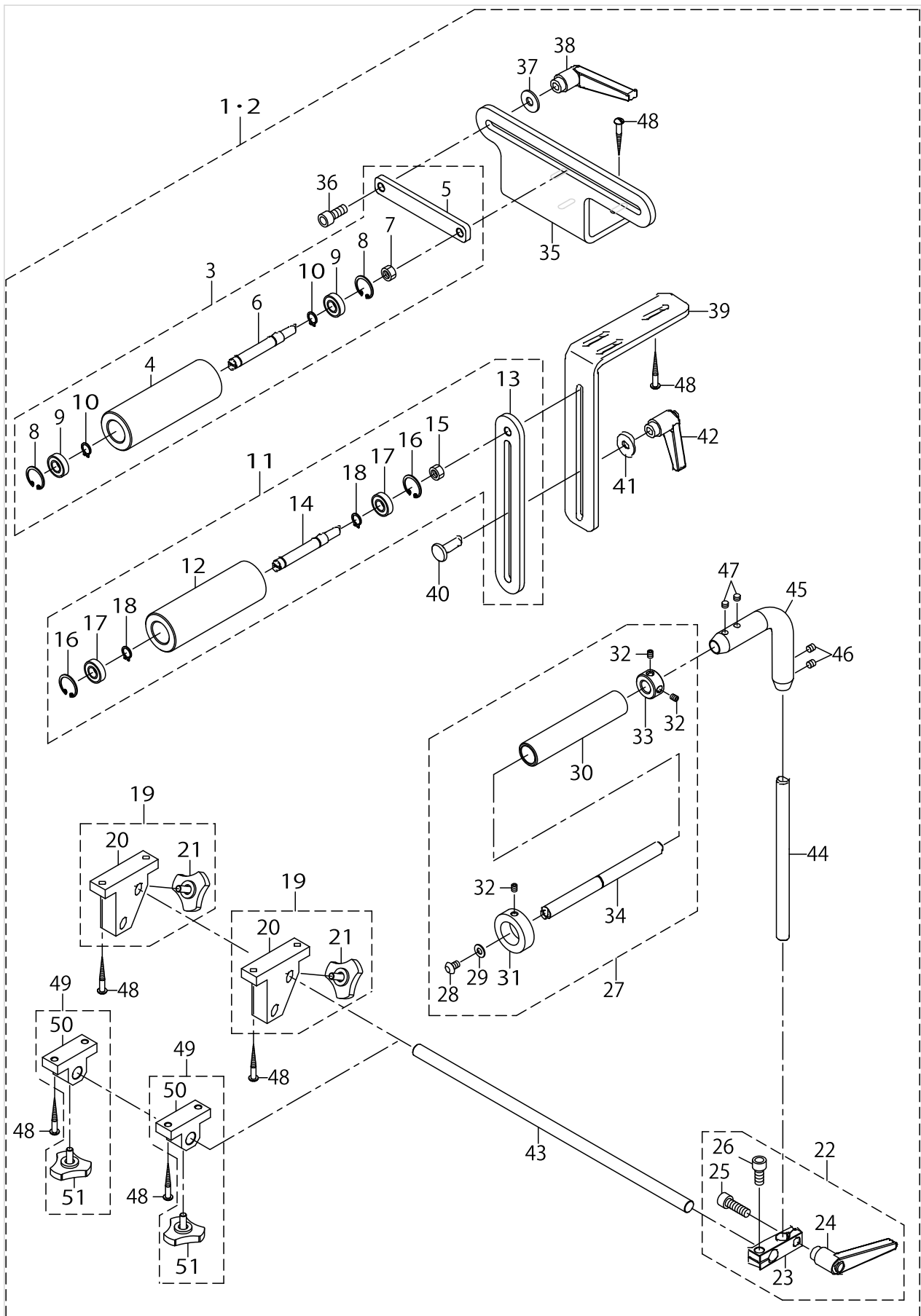
TENSION ROLLER COMPONENTS



TENSION ROLLER COMPONENTS

No.	Supply Code	Parts No.	Replacement	Parts name	Remarks	Choice	Step	Level	Cons	Qty	Rep. QTY
1		40037978		E20_TENSION_ROLLER_ASM	FOR E22					1	
2	D	40037979		E21_TENSION_ROLLER_ASM	FRO E23					1	
3		40037374		E20_REAR_ROLLER_- SUB_ASSEMBLY				*		1	
4		40037373		REAR_ROLLER				*		1	
5		40030149		REAR_LEVER				*		1	
6		40030147		REAR_SHAFT				*		1	
7		NM6080001SC		NUT M8X1.25				*		1	
8		RC2200002KP		RETAINING RING				*		2	
9		SB110000900		BEARING				*		2	
10		RC0100001KP		SNAP RING M10				*		2	
11		40037376		E20_LOWER_ROLLE- R_SUB_ASSEMBLY				*		1	
12		40037373		REAR_ROLLER				*		1	
13		40030152		ROLLER_PLATE				*		1	
14		40030147		REAR_SHAFT				*		1	
15		NM6080001SC		NUT M8X1.25				*		1	
16		RC2200002KP		RETAINING RING				*		2	
17		SB110000900		BEARING				*		2	
18		RC0100001KP		SNAP RING M10				*		2	
19		40037981		E20_KNOB_SUB_ASSEMBLY	FOR E22			*		2	
20		40034579		BRACKET				*		1	
21		40050443		THUMB_SCREW				*		1	
22		40031146		CLAMP_LEVER_SUB_ASSEMBLY				*		1	
23		40030151		BLOCK				*		1	
24		40031043		CLAMP_LEVER				*		1	
25		SM6082502TP		SCREW M8 L=25				*		1	
26		SM6081802TP		SCREW				*		1	
27		40037383		E20_FRONT_ROLLE- R_SUB_ASSEMBLY				*		1	
28		SM3061052TP		SCREW M6 L=10				*		1	
29		WP0621036SP		WASHER				*		1	
30		40037381		FRONT_ROLLER				*		1	
31		40037382		ROLLER_COLLAR				*		1	
32		SM8050612TP		SCREW M5X6				*		3	
33		40030284		COLLAR				*		1	
34		40030143		ROLLER_SHAFT				*		1	
35		40030150		REAR_BRACKET				*		1	
36		SM6082002TP		SCREW M8 L=20				*		1	
37		WP0851846SC		WASHER 8.5X22.0X1.8				*		1	
38		40031043		CLAMP_LEVER				*		1	
39		40024944		L_PLATE				*		1	
40		MTJMS000100		BOLT M8 L=25				*		1	
41		WP0851846SC		WASHER 8.5X22.0X1.8				*		1	
42		40031043		CLAMP_LEVER				*		1	
43		40030140		LOWER_SLIDE_SHAFT				*		1	
44		40037386		ROLLER_SHAFT				*		1	
45		40030146		ROLLER_BRACKET				*		1	

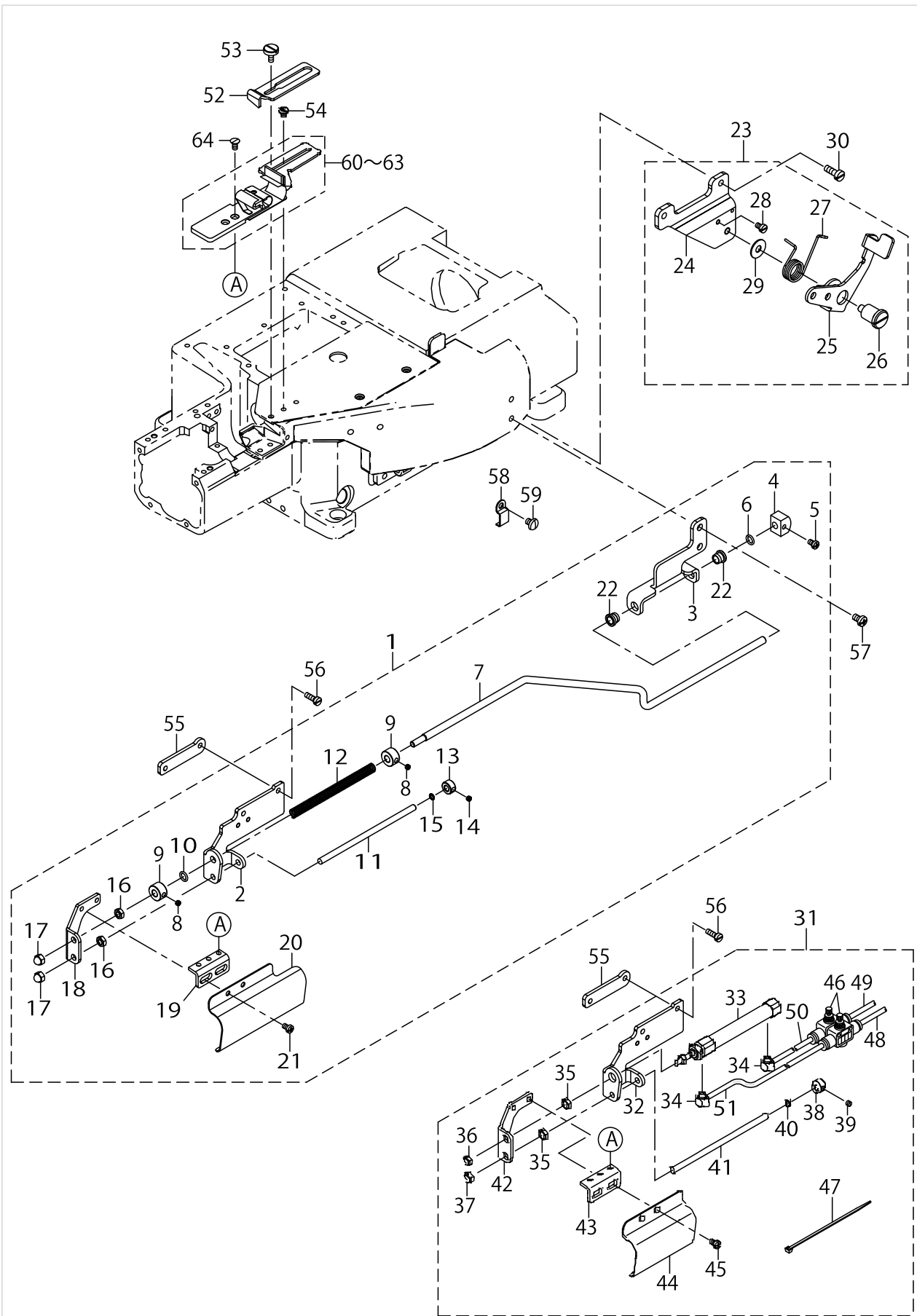
TENSION ROLLER COMPONENTS



TENSION ROLLER COMPONENTS

No.	Supply Code	Parts No.	Replacement	Parts name	Remarks	Choice	Step	Level	Cons	Qty	Rep. QTY
46		SM8060612TP		SCREW M6 L=6				*		2	
47		SM8060412TP		SCREW				*		2	
48		SK3483201SE		WOOD SCREW D=4.8 L=32				*		10	
49		40031145		KNOB_SUB_ASSEMBLY	FRO E23			*		2	
50		40030139		BRACKET				*		1	
51		40050443		THUMB_SCREW				*		1	

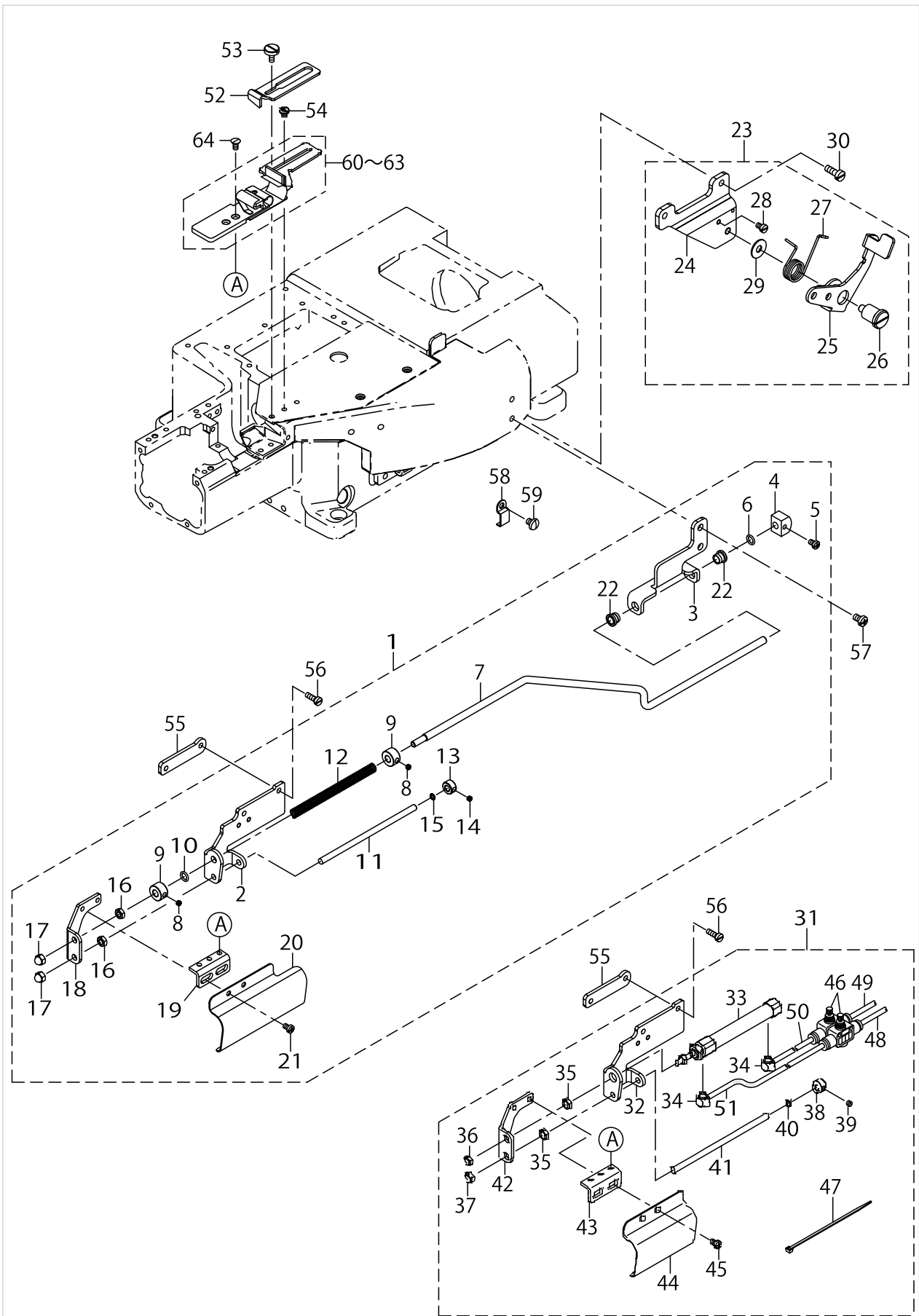
BINDER COMPONENTS



BINDER COMPONENTS

No.	Supply Code	Parts No.	Replacement	Parts name	Remarks	Choice	Step	Level	Cons	Qty	Rep. QTY
1		70003420		E22_BRACKET_ASSY	FOR E22					1	
2		70003407		BRACKET_E22				*		1	
3		70003416		GUIDE_SHAFT				*		1	
4		40024790		SG_PLATE				*		1	
5		SM4040655SP		SCREW M4 L=6				*		1	
6		RO060150100		RUBBER RING				*		1	
7		70003413		SHAFT				*		1	
8		SM8040360TP		SCREW				*		2	
9		40024781		SG_COLLAR				*		2	
10		RO060150100		RUBBER RING				*		1	
11		40024794		SG_SHAFT_B				*		1	
12		G5501382000		PRESSER SPRING				*		1	
13		40038016		STOPPER_COLLAR				*		1	
14		SM8040360TP		SCREW				*		1	
15		RO037180100		RUBBER RING				*		1	
16		NM6050003SC		NUT M5X0.8 TYPE3				*		2	
17		NM7050032SC		NUT M5				*		2	
18		40024770		SG_BRACKET				*		1	
19		40024772		SG_BRACKET_B				*		1	
20		40024786		SG_COVER				*		1	
21		SM4040655SP		SCREW M4 L=6				*		2	
22		70004058		GUIDE_SHAFT_BUSH				*		2	
23		70003418		LEVER_ASSY	FOR E22					1	
24		70003411		LEVER_BRACKET				*		1	
25		70003412		LEVER				*		1	
26		40024795		SG_SHOULDER_SCREW				*		1	
27		40024799		SG_SPRING_L				*		1	
28		SM6040600SP		SCREW M4 L=6				*		1	
29		WP0621036SP		WASHER				*		1	
30		SM6051400SP		SCREW	FOR E22					2	
31		70003419		E23_AIR_CYLINDER_ASSY	FOR E23					1	
32		70003408		BRACKET_E23				*		1	
33		PA1004510A0		AIR CYLINDER				*		1	
34		PJ046052501		ELBOW				*		2	
35		NM6050003SC		NUT M5X0.8 TYPE3				*		1	
36		NM7040032SC		HEXAGONAL CAP NUT, TYPE 3 M4				*		1	
37		NM7050032SC		NUT M5				*		1	
38		40038016		STOPPER_COLLAR				*		1	
39		SM8040360TP		SCREW				*		1	
40		RO037180100		RUBBER RING				*		1	
41		40024794		SG_SHAFT_B				*		1	
42		40024770		SG_BRACKET				*		1	
43		40024772		SG_BRACKET_B				*		1	
44		40024786		SG_COVER				*		1	
45		SM4040655SP		SCREW M4 L=6				*		2	
46		PC012401000		SPEED CONTROLLER				*		2	

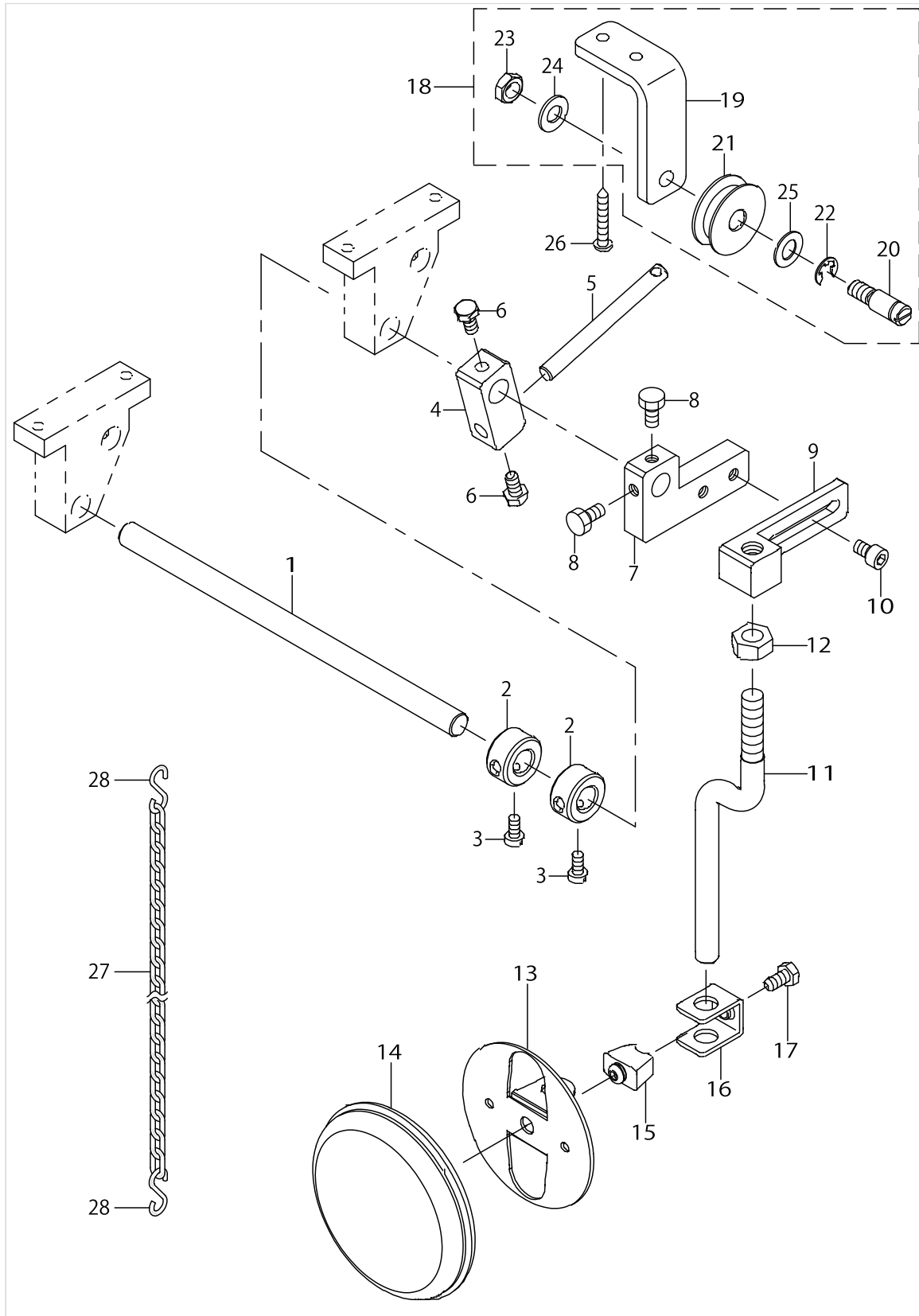
BINDER COMPONENTS



BINDER COMPONENTS

No.	Supply Code	Parts No.	Replacement	Parts name	Remarks	Choice	Step	Level	Cons	Qty	Rep. QTY
47		EA9500B0100		CABLE BAND				*		2	
48		BT0400251EB		URETHANE TUBE BLACK 4X2.5				*		0.18	
49		BT0400251EB		URETHANE TUBE BLACK 4X2.5				*		0.18	
50		BT0400251EB		URETHANE TUBE BLACK 4X2.5				*		0.24	
51		BT0400251EB		URETHANE TUBE BLACK 4X2.5				*		0.32	
52		70003415		ELASTIC_GUIDE						1	
53		SM6041050SN		SCREW M4 L=10						1	
54		SM6040650TP		SCREW						1	
55		70003406		SPACER						1	
56		SM6041200SP		SCREW M4 L=12						2	
57		SM4050855SP		SCREW	FOR E22					2	
58		B3509210000		OIL TUBE HOLDER C	FOR E23					2	
59		SM4050655SP		SCREW M5 L=6	FOR E23					2	
60		40024768		SG_BINDER_ASSY_35						1	
61		40024766		SG_BINDER_ASSY_25	OPTIONAL PARTS					1	
62		40024767		SG_BINDER_ASSY_30	OPTIONAL PARTS					1	
63		40024769		SG_BINDER_ASSY_40	OPTIONAL PARTS					1	
64		SM1040870TP		SCREW						2	

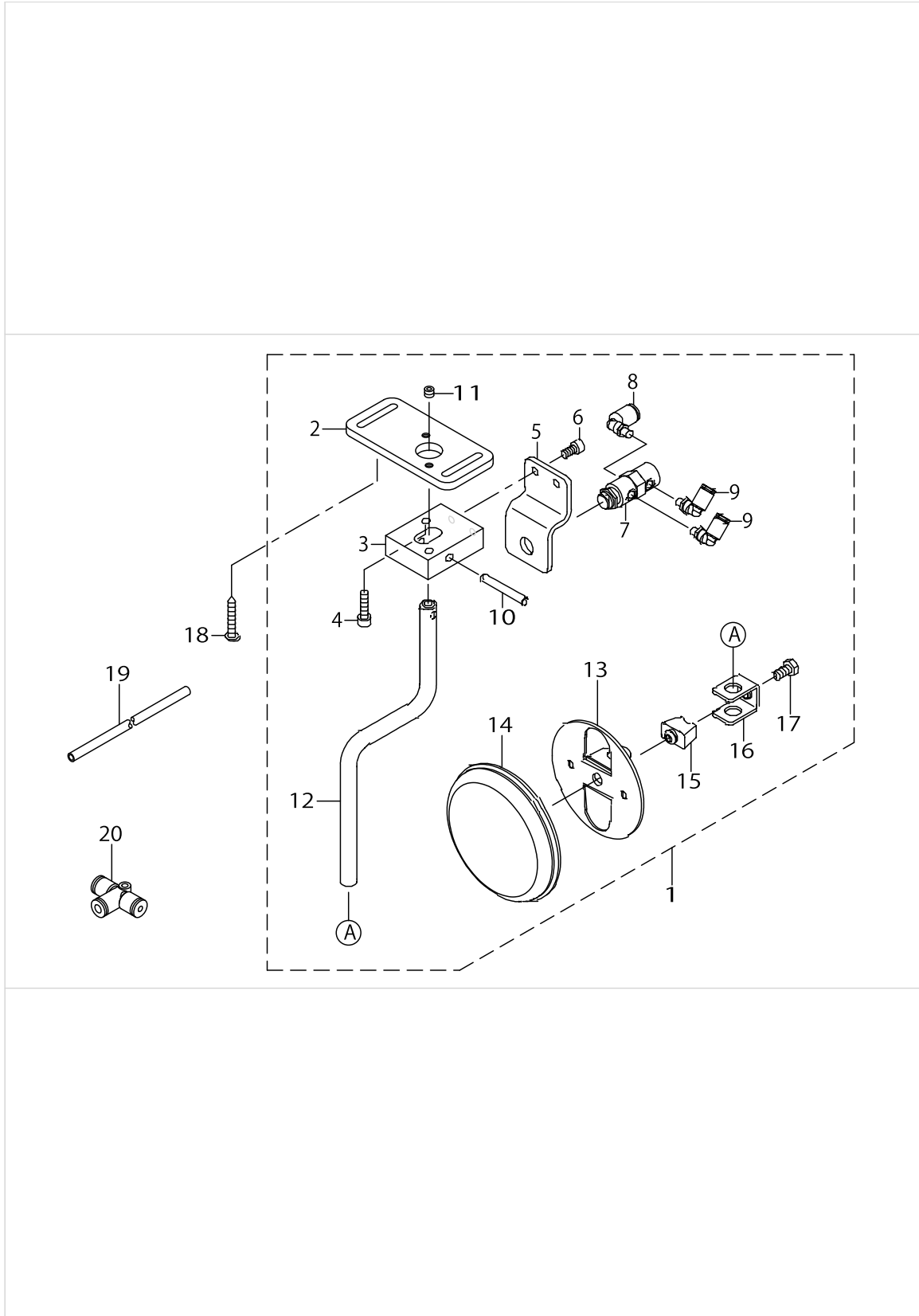
KNEE SWITCH COMPONENTS (FOR E22)



KNEE SWITCH COMPONENTS (FOR E22)

No.	Supply Code	Parts No.	Replacement	Parts name	Remarks	Choice	Step	Level	Cons	Qty	Rep. QTY
1		40034580		SHAFT						1	
2		40030284		COLLAR						2	
3		SM6051000SP		SCREW						2	
4		40034581		LEVER_BRACKET						1	
5		40034583		LEVER						1	
6		SM9061203SE		SCREW M6 L=12						2	
7		40034584		KNEE_SWITCH_BLOCK						1	
8		SM9061203SE		SCREW M6 L=12						2	
9		40034590		ADJUSTING_PLATE						1	
10		SM6061002TP		SCREW M6 L=10						2	
11		40034585		KNEE_SWITCH_SHAFT						1	
12	R	NM6100001SE	NM6100001SC	NUT FOR SPRING A-DJUSTING BOLT						1	1.00
13		22934202		KNEE PAD PLATE						1	
14		22934509		KNEE PAD PLATE COVER						1	
15		22934400		KNEE PAD PLATE RUBBER						1	
16		22934301		KNEE PAD PLATE SUPPORT						1	
17		SM9061203SE		SCREW M6 L=12						1	
18		40034589		PULLEY_ASSY						1	
19		40034587		PULLEY_BRACKET				*		1	
20		40034588		PIN				*		1	
21		40034586		PULLEY				*		1	
22		RE0700000K0		E-RING 7				*		1	
23		NM6080003SC		NUT M8				*		1	
24		WP0850002SP		WASHER 8.5X18X1.6				*		1	
25		WP1021016SD		WASHER				*		1	
26		SK3483201SE		WOOD SCREW D=4.8 L=32						2	
27		40037943		CHAIN						1	
28		40034841		S_SHAPED_HOOK						2	

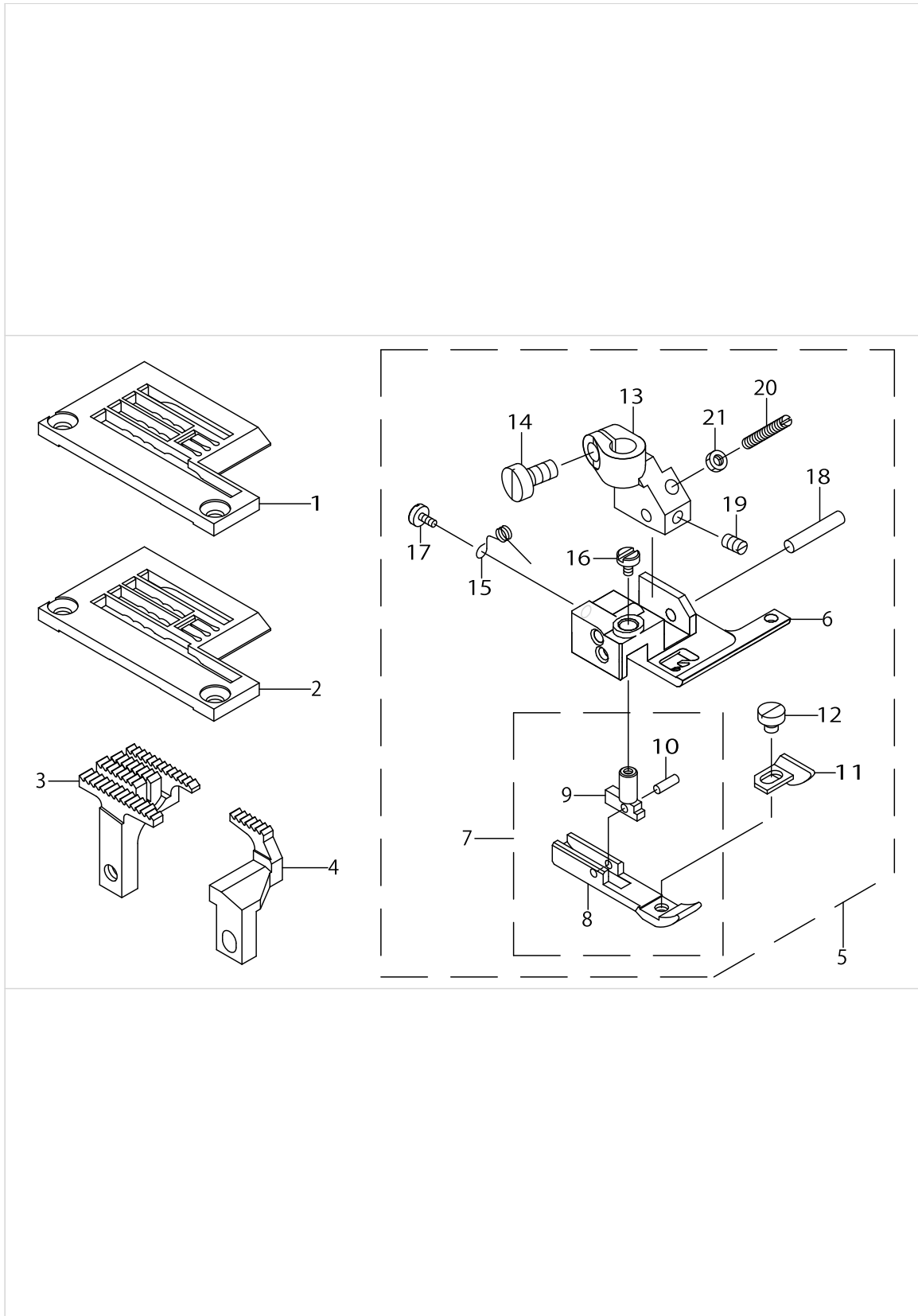
KNEE SWITCH VALVE COMPONENTS (FOR E23)



KNEE SWITCH VALVE COMPONENTS (FOR E23)

No.	Supply Code	Parts No.	Replacement	Parts name	Remarks	Choice	Step	Level	Cons	Qty	Rep. QTY
1		40033017		KNEE_SWITCH_MECH_VALVE_ASSY						1	
2		40033018		KNEE_SWITCH_PLATE				*		1	
3		40033019		KNEE_SWITCH_SHAFT_BRACKET				*		1	
4		SM6052002TN		BOLT				*		2	
5		40033020		VALVE_BRACKET				*		1	
6		SM6051002TP		SCREW M5X0.8 L=10				*		2	
7		PV010502000		AIR VALVE				*		1	
8		PJ304040505		ELBOW				*		1	
9		PJ304040504		ELBOW UNION				*		2	
10		PH0500400C0		PARALLEL PIN				*		1	
11		SM8050412TP		SCREW M5 L=4				*		1	
12		40033021		KNEE_SWITCH_SHAFT				*		1	
13		22934202		KNEE PAD PLATE				*		1	
14		22934509		KNEE PAD PLATE COVER				*		1	
15		22934400		KNEE PAD PLATE RUBBER				*		1	
16		22934301		KNEE PAD PLATE SUPPORT				*		1	
17		SM9061203SE		SCREW M6 L=12				*		1	
18		SK3483201SE		WOOD SCREW D=4.8 L=32						2	
19		BT0600401EB		TUBE						.2	
20		PJ305060004		TEE UNION						1	

GAUGE COMPONENTS



GAUGE COMPONENTS

No.	Supply Code	Parts No.	Replacement	Parts name	Remarks	Choice	Step	Level	Cons	Qty	Rep. QTY
1		13351606		THROAT_PLATE	FOR B56					1	
2		13351705		THROAT_PLATE	FOR B64					1	
3		13430301		MAIN_FEED_DOG						1	
4		13432307		DIFF_FEED_DOG						1	
5		40037398		PRESSER_FOOT_56_ASSY						1	
6		40037400		PRESSER_FOOT_BOTTOM_56				*		1	
7	R	13376355	40037398	YIELDING_SECTION_ASSEMBLY				*		1	1.00
8		13376306		YIELDIND_SECTION				*		1	
9		13377205		YIELDING_SECTION_SHANK				*		1	
10		13377304		PIVOT_PIN				*		1	
11		40037401		PRESSER_FOOT_GUIDE				*		1	
12		SM6030350SD		SCREW M3 L=2.9				*		1	
13		13376504		PRESSER_FOOT_SHANK				*		1	
14		SM6040800SP		SCREW				*		1	
15		13376603		YIELDING_SECTION_SPRING				*		1	
16	R	13376702	13376157	THREAD_SPRING_SCREW				*		1	1.00
17		SM4030455SP		SCREW				*		1	
18		PH0300162C0		PARALLEL_PIN_3X16				*		1	
19		SM8030500SP		SCREW				*		1	
20		13376801		SCREW_FOR_PRESSER_FOOT				*		1	
21		NM6030001SD		NUT M3X0.5				*		1	

HOW TO MAKE USE OF THIS PARTS LIST

1.As to "#01" and "#02" refer to the "Note" given at the bottom of the respective pages.

2.Codes on the "Qty" column

- Each numeral indicates the number of parts required.
- "0.1" and "2.5" indicate the length (in meters) of the respective parts.

3.Parentheses mean that the corresponding part is a subpart that constructs an assembly part.

4.Dotted lines on the Figures indicate assembly parts.

1. リストページの# 0 1、# 0 2の印は、ページ下の"注記"の説明を参照下さい。
2. 数量欄の数字は、個数を表し、0. 1、2. 5等の数値は、長さ（単位メートル）を表します。
3. 数量欄の（ ）は、組部品を構成している子部品であることを意味します。
4. イラストページの-----枠は、組構成であることを意味します。

ALL PARTS NOT MENTIONED IN THIS PARTS LIST ARE SAME AS THOSE OF
MODEL MF-7900. OTHER PARTS LIST RELATED TO THIS MODEL.
*MF-7900. (NO.1599 PART NO.70002009)

このパーツリスト記載以外の部品はMF-7900.と共通です。
この機種に関連するパーツリストとして下記のパーツリストがあります。
*MF-7900. (NO.1599 品番70002009)

NUMERICAL INDEX OF PARTS

PART NO	PAGE	REF NO.	PART NO	PAGE	REF NO.	PART NO	PAGE	REF NO.
13302302	2	16	40030149	4	5	70003355	2	9
13351606	16	1	40030150	4	35	70003357	2	10
13351705	16	2	40030151	4	23	70003363	2	32
13376306	16	8	40030152	4	13	70003402	2	14
13376355	16	7	40030284	4	33	70003404	2	1
13376504	16	13	40030284	12	2	70003405	2	17
13376603	16	15	40031043	4	42	70003406	10	55
13376702	16	16	40031145	6	49	70003407	8	2
13376801	16	20	40031146	4	22	70003408	8	32
13377205	16	9	40033017	14	1	70003409	2	23
13377304	16	10	40033018	14	2	70003411	8	24
13402706	2	25	40033019	14	3	70003412	8	25
13403407	2	2	40033020	14	5	70003413	8	7
13403605	2	15	40033021	14	12	70003414	2	19
13409800	2	29	40034579	4	20	70003415	10	52
13430301	16	3	40034580	12	1	70003416	8	3
13432307	16	4	40034581	12	4	70003417	2	31
22934202	12	13	40034583	12	5	70003418	8	23
22934202	14	13	40034584	12	7	70003419	8	31
22934301	12	16	40034585	12	11	70003420	8	1
22934301	14	16	40034586	12	21	70004058	8	22
22934400	12	15	40034587	12	19	B3509210000	10	58
22934400	14	15	40034588	12	20	BT0400251EB	10	51
22934509	12	14	40034589	12	18	BT0600401EB	14	19
22934509	14	14	40034590	12	9	EA9500B0100	10	47
23630007	2	3	40034841	12	28	G5501382000	8	12
40024766	10	60~63	40037373	4	12	MTJMS000100	4	40
40024767	10	60~63	40037374	4	3	NM6030001SD	16	21
40024768	10	60~63	40037376	4	11	NM6040001SC	2	6
40024769	10	60~63	40037381	4	30	NM6050003SC	8	35
40024770	8	42	40037382	4	31	NM6080001SC	4	15
40024772	8	43	40037383	4	27	NM6080003SC	12	23
40024781	8	9	40037386	4	44	NM6100001SE	12	12
40024786	8	44	40037398	16	5	NM7040032SC	8	36
40024790	8	4	40037400	16	6	NM7050032SC	8	37
40024794	8	41	40037401	16	11	PA1004510A0	8	33
40024795	8	26	40037943	12	27	PC012401000	8	46
40024796	2	13	40037978	4	1·2	PH0300162C0	16	18
40024799	8	27	40037979	4	1·2	PH0500400C0	14	10
40024944	4	39	40037981	4	19	PJ046052501	8	34
40030139	6	50	40038016	8	38	PJ304040504	14	9
40030140	4	43	40050443	4	51	PJ304040505	14	8
40030143	4	34	40050443	6	51	PJ305060004	14	20
40030146	4	45	70001414	2	27	PS0150042K0	2	11
40030147	4	14	70001648	2	21	PV010502000	14	7

NUMERICAL INDEX OF PARTS

PART NO	PAGE	REF NO.	PART NO	PAGE	REF NO.
RC0100001KP	4	18	SM9061203SE	12	17
RC2200002KP	4	16	SM9061203SE	14	17
RE0700000K0	12	22	WP0621036SP	4	29
RO037180100	8	40	WP0621036SP	8	29
RO060150100	8	10	WP0850002SP	12	24
SB110000900	4	17	WP0851846SC	4	41
SK3483201SE	6	48	WP1021016SD	12	25
SK3483201SE	12	26	WS0510002KP	2	28
SK3483201SE	14	18			
SM1040800SP	2	24			
SM1040870TP	10	64			
SM3061052TP	4	28			
SM4030455SP	16	17			
SM4030655SP	2	4			
SM4040655SP	8	45			
SM4040855SP	2	18			
SM4041055SP	2	12			
SM4050655SP	10	59			
SM4050855SP	10	57			
SM6030350SD	16	12			
SM6040450TP	2	20			
SM6040600SP	8	28			
SM6040650TP	10	54			
SM6040660TP	2	8			
SM6040800SP	16	14			
SM6041050SN	10	53			
SM6041200SP	10	56			
SM6050800SP	2	30			
SM6051000SP	12	3			
SM6051002TP	14	6			
SM6051400SP	8	30			
SM6052002TN	14	4			
SM6061002TP	12	10			
SM6081802TP	4	26			
SM6082002TP	4	36			
SM6082502TP	4	25			
SM8030500SP	16	19			
SM8040360TP	2	26			
SM8040360TP	8	39			
SM8040412TP	2	22			
SM8041012TP	2	5			
SM8050412TP	14	11			
SM8050612TP	4	32			
SM8060412TP	6	47			
SM8060612TP	6	46			