

MODEL : UT59
List No : 1630-01

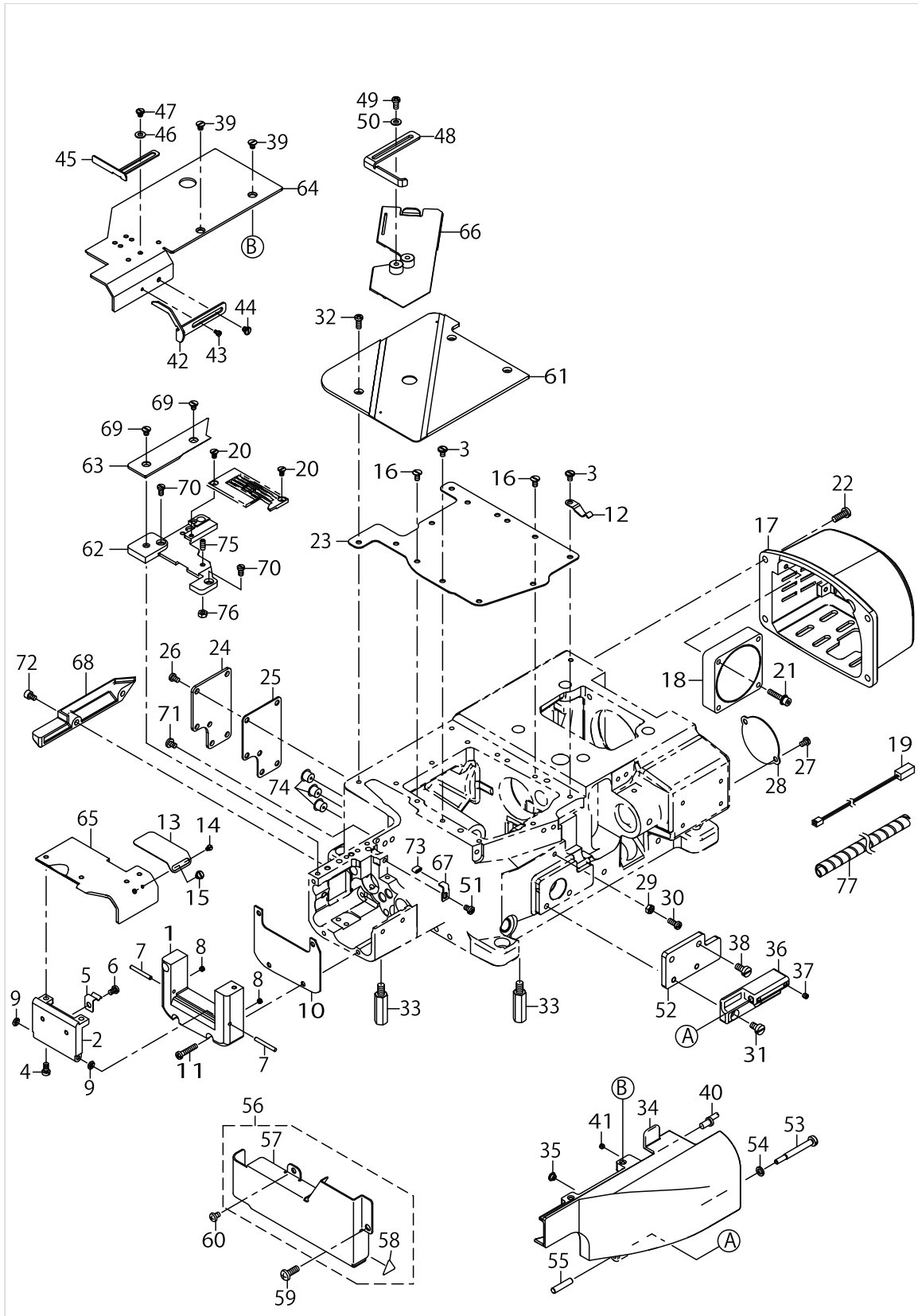
PARTS LIST

Published:05/12/2017

CONTENTS

MISCELLANEOUS COVER COMPONENTS (FOR H22/H23).....	1
MISCELLANEOUS COVER COMPONENTS (FOR U11)	5
THREAD TENSION COMPONENTS	9
LOOPER THREAD TRIMMER COMPONENTS	13
LOOPER COMPONENTS	15
PNEUMATIC DRIVE & PRESSER FEED LIFTER COMPONENTS.....	19
FRAY PREVENTION COMPONENTS.....	23
AIR PIPING DIAGRAM.....	25
ACCESSORIE PARTS COMPONENTS	27
GAUGE COMPONENTS (FOR H22)	29
GAUGE COMPONENTS (FOR H23)	31
GAUGE COMPONENTS (FOR U11)	33
HOW TO MAKE USE OF THIS PARTS LIST	35

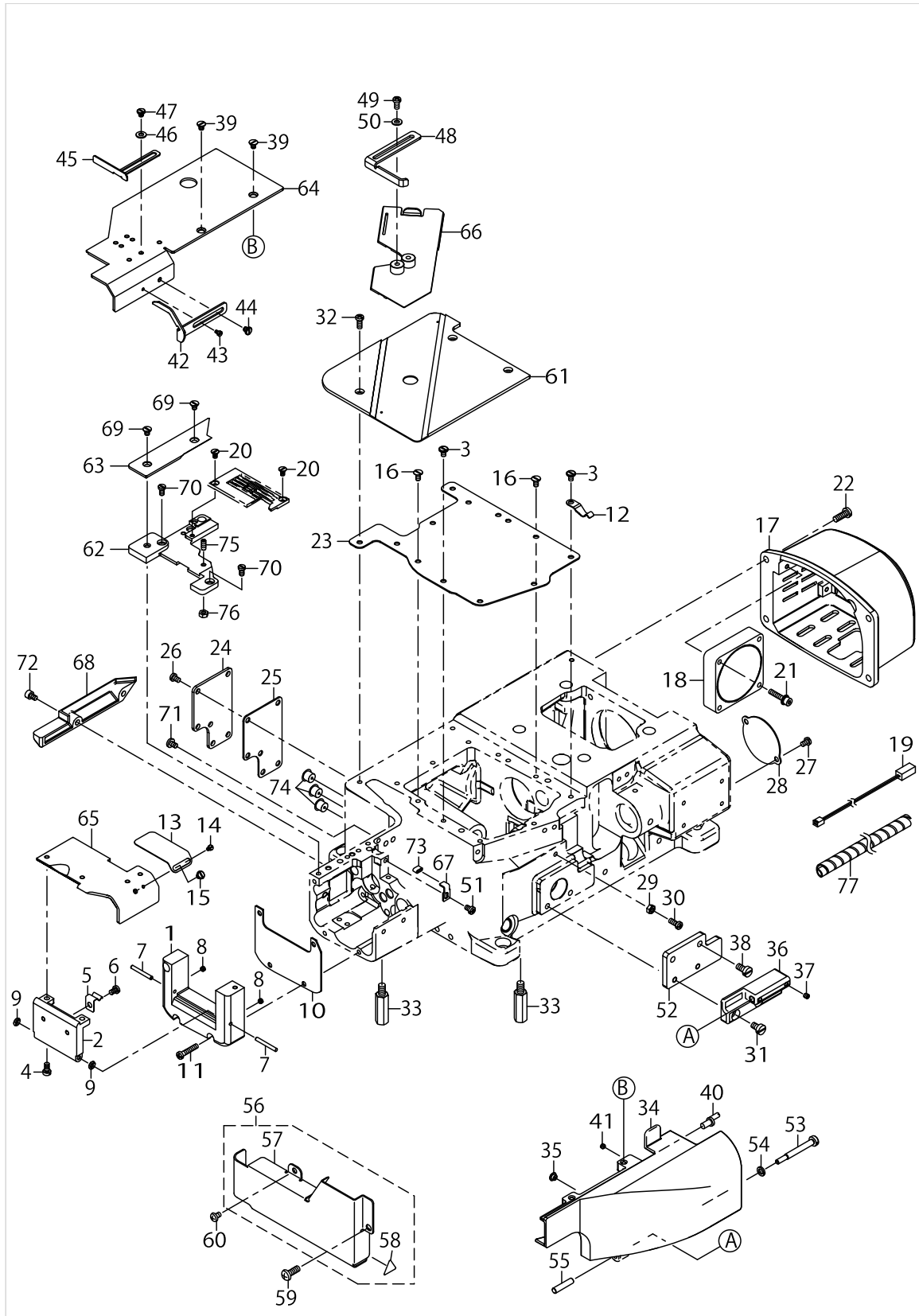
MISCELLANEOUS COVER COMPONENTS (FOR H22/H23)



MISCELLANEOUS COVER COMPONENTS (FOR H22/H23)

No.	Supply Code	Parts No.	Replacement	Parts name	Remarks	Choice	Step	Level	Cons	Qty	Rep. QTY
1		70001866		CYLINDER_COVER_H22						1	
2		70001655		SIDE_COVER_BOTTOM						1	
3		SM6040800SP		SCREW						6	
4		SM6040800SP		SCREW						2	
5		13401906								1	
6		SM4040655SP		SCREW M4 L=6						1	
7		PH0300252C0		PIN						2	
8		SM8040360TP		SCREW						2	
9		RO037180100		RUBBER RING						2	
10		70001661		GASKET						1	
11		SM4042055SP		SCREW						3	
12		13402003		LATCH SPRING						1	
13		70001890		SIDE_COVER						1	
14		SM6850400SP		SCREW M2.5 L=4						1	
15		SM6040450TP		SCREW M4 L=4						1	
16		SM1040860SP		SCREW						4	
17		70001413		MOTOR_COVER						1	
18		40119461		HEAD FAN MOTOR A ASSY						1	
19		70001457		FAN_CORD_ASSY						1	
20		13302203		SCREW						2	
21		SL6042092TN		SCREW M4 L=20						2	
22		SM4051455SP		SCREW M5 L=14						4	
23		70001663		GASKET_B						1	
24		70001642		COVER_FOR_FEED_ADJUST						1	
25		70001643		COVER_FOR_FEED_- ADJUST_PACKING						1	
26		SM4040855SP		SCREW						6	
27		SM4040655SP		SCREW M4 L=6						2	
28		70001673		LOOPER_THD_COVER						1	
29		NM6040000SN		NUT M4						1	
30		SM4041055SP		SCREW						1	
31		SM6050800SP		SCREW M5 L=8						2	
32		SM4041055SP		SCREW						3	
33		13301809		SUPPORT STUD						4	
34		70001870		SWING_DOWN_COVER						1	
35		13302302		RUBBER BUMPER						1	
36		70001648		HINGE						1	
37		SM8040412TP		SET SCREW M4 L=4						2	
38		SM6051000SP		SCREW						2	
39		SM1040800SP		SCREW						2	
40		13402706		PIN FOR COVER						1	
41		SM8040360TP		SCREW						1	
42	R	70001888	70004847	HEM_GUIDE_LEFT		A				1	1.00
42	R	70001888	SM6850350TP	HEM_GUIDE_LEFT		A				1	1.00
42	R	70001888	70004848	HEM_GUIDE_LEFT		A				1	1.00
43		SM6850400SP		SCREW M2.5 L=4						1	
44		SM6040450TP		SCREW M4 L=4						1	

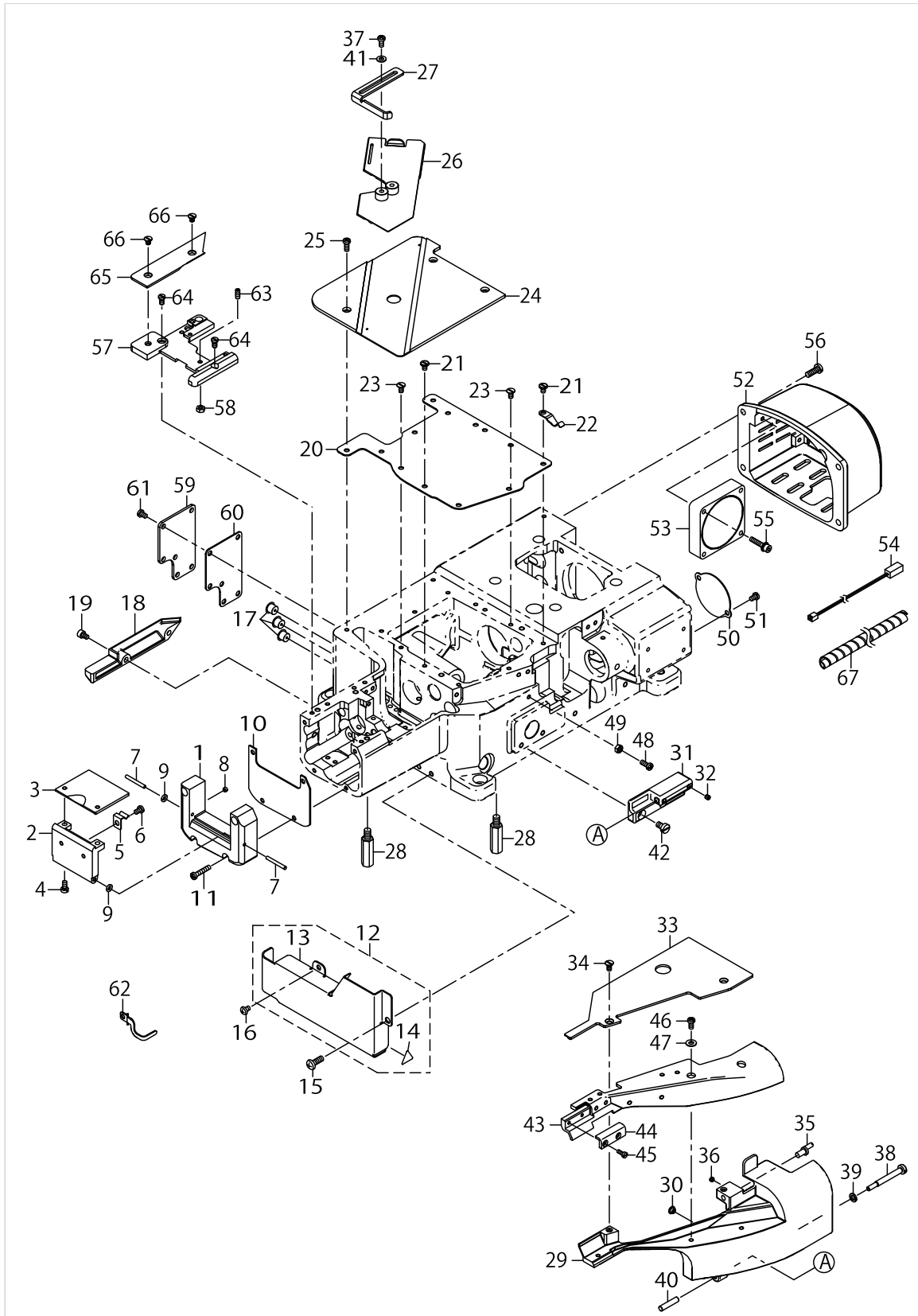
MISCELLANEOUS COVER COMPONENTS (FOR H22/H23)



MISCELLANEOUS COVER COMPONENTS (FOR H22/H23)

No.	Supply Code	Parts No.	Replacement	Parts name	Remarks	Choice	Step	Level	Cons	Qty	Rep. QTY
45		70004248		HEM_GUIDE_RIGHT						1	
46		WP0430801SC		WASHER M4						2	
47		SM6040450TP		SCREW M4 L=4						2	
48		40040255		HEM_GUIDE						1	
49		SM4040855SP		SCREW						2	
50		WP0430801SC		WASHER M4						2	
51		SM4040655SP		SCREW M4 L=6						1	
52		70001646		HINGE_BASE						1	
53		70001414		SCREW						1	
54		WS0510002KP		SPRING WASHER 5.1X9.2X1.3						1	
55		13409800		DIFF_LINK_PIN						1	
56		40030059		SS_COVER_ASSY						1	
57		40019868		SS_COVER				*		1	
58		CM300200001		FINGER INJURY CAUTION LABEL (16)				*		1	
59		SM4051455SP		SCREW M5 L=14						1	
60		SM4040655SP		SCREW M4 L=6						1	
61		70003355		CLOTH_PLATE_ASSY						1	
62		70003432		THROAT_PLATE_SUPPORT_H22						1	
63		70003433		REAR_COVER_H22						1	
64		70003451		CLOTH_PLATE_FRONT_H22						1	
65		70003452		SIDE_COVER_UPPER_H22						1	
66		70004247		SLIDE_COVER_ASSY						1	
67		70003456		SLIDE_COVER_SUPPORT						1	
68		70003457		UNDER_COVER_H22						1	
69		SM1040650TP		SCREW						2	
70		SM6040750TP		SCREW M4 L=7						2	
71		SM5040655SN		SCREW						2	
72		SM6040602TN		BOLT						2	
73		BT0600402EA		OIL TUBE						.01	
74		22901409		NEEDLE BAR UPPER BUSH CAP						3	
75		SM8041012TP		SCREW M4 L=10						1	
76		NM6040000SN		NUT M4						1	
77		HX00314000D		SPIRAL TUBE						.7	

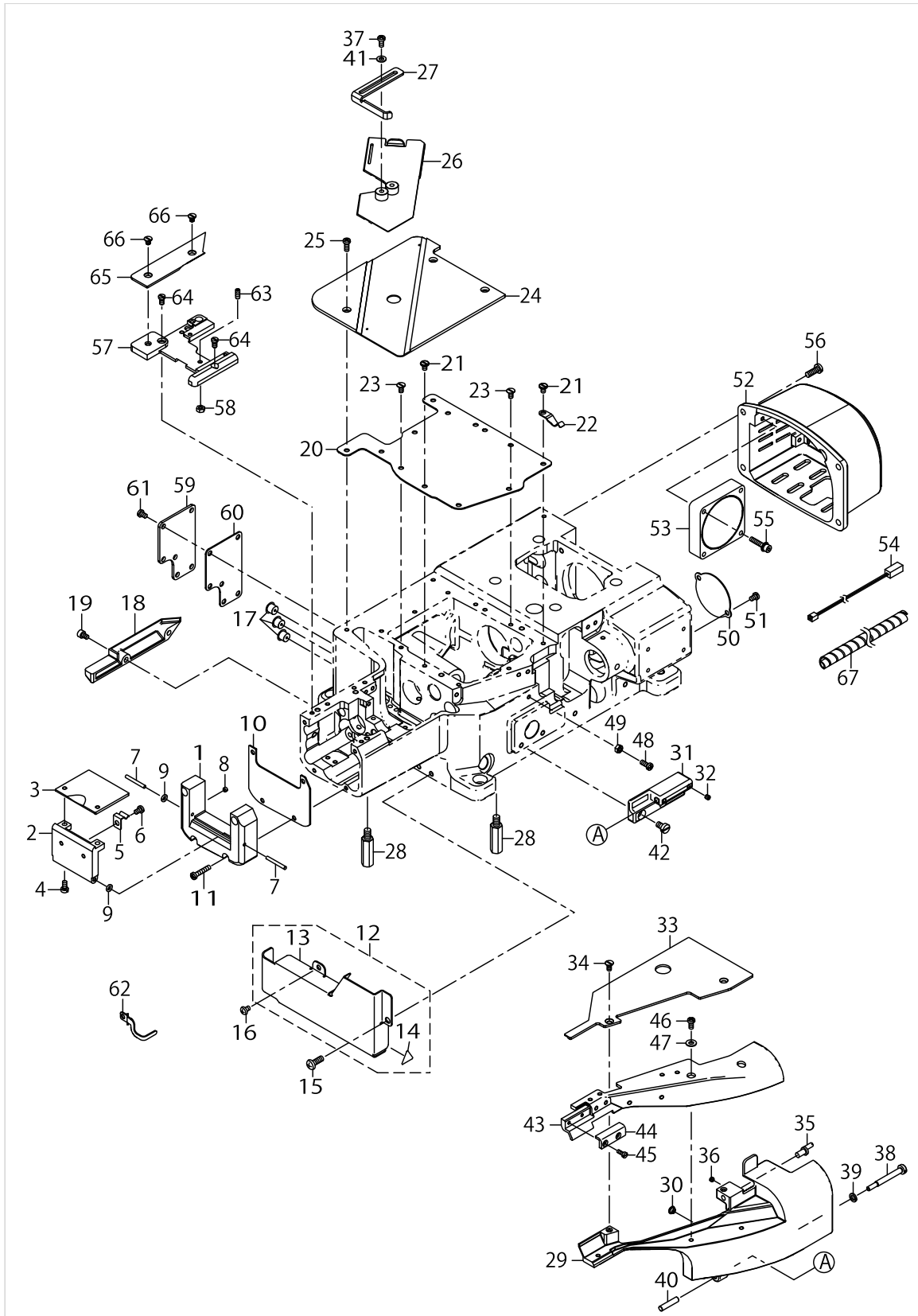
MISCELLANEOUS COVER COMPONENTS (FOR U11)



MISCELLANEOUS COVER COMPONENTS (FOR U11)

No.	Supply Code	Parts No.	Replacement	Parts name	Remarks	Choice	Step	Level	Cons	Qty	Rep. QTY
1		70004258		CYLINDER_COVER						1	
2		70001655		SIDE_COVER_BOTTOM						1	
3		70004256		SIDE_COVER_UPPER						1	
4		SM6040800SP		SCREW						2	
5		13401906		LATCH SPRING 2						1	
6		SM4040655SP		SCREW M4 L=6						1	
7		PH0300252C0		PIN						2	
8		SM8040360TP		SCREW						2	
9		RO037180100		RUBBER RING						2	
10		70001661		GASKET						1	
11		SM4042055SP		SCREW						4	
12		40030059		SS_COVER_ASSY						1	
13		40019868		SS_COVER				*		1	
14		CM300200001		FINGER INJURY CAUTION LABEL (16)				*		1	
15		SM4051455SP		SCREW M5 L=14						1	
16		SM4040655SP		SCREW M4 L=6						1	
17		22901409		NEEDLE BAR UPPER BUSH CAP						3	
18		70003457		UNDER_COVER_H22						1	
19		SM6040602TN		BOLT						2	
20		70001663		GASKET_B						1	
21		SM6040800SP		SCREW						6	
22		13402003		LATCH SPRING						1	
23		SM1040860SP		SCREW						4	
24		70003355		CLOTH_PLATE_ASSY						1	
25		SM4041055SP		SCREW						3	
26		70004264		SLIDE_COVER_ASSY						1	
27		40040255		HEM_GUIDE						1	
28		13301809		SUPPORT STUD						4	
29		70001650		SWING_DOWN_COVER						1	
30		13302302		RUBBER BUMPER						1	
31		70001648		HINGE						1	
32		SM8040412TP		SET SCREW M4 L=4						2	
33		70004265		CLOTH_PLATE_FRONT						1	
34		SM1040800SP		SCREW						2	
35		13402706		PIN FOR COVER						1	
36		SM8040360TP		SCREW						1	
37		SM4040855SP		SCREW						2	
38		70001414		SCREW						1	
39		WS0510002KP		SPRING WASHER 5.1X9.2X1.3						1	
40		13409800		DIFF_LINK_PIN						1	
41		WP0430801SC		WASHER M4						2	
42		SM6050800SP		SCREW M5 L=8						2	
43		70001652		BRACKET						1	
44		70001678		BRACKET						1	
45		SM6030800SP		SCREW M3X0.5 L=8						2	
46		SM4040855SP		SCREW						2	

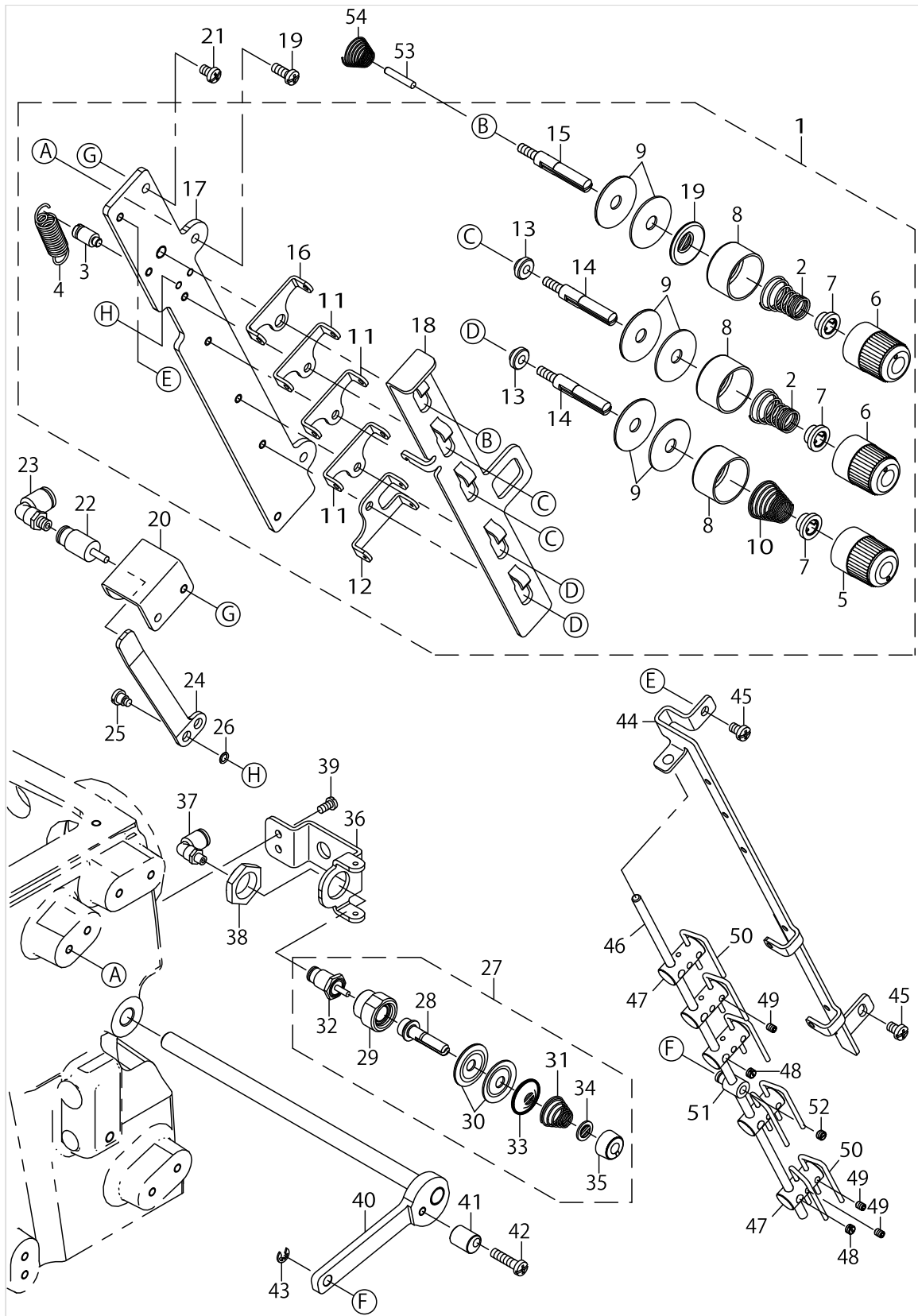
MISCELLANEOUS COVER COMPONENTS (FOR U11)



MISCELLANEOUS COVER COMPONENTS (FOR U11)

No.	Supply Code	Parts No.	Replacement	Parts name	Remarks	Choice	Step	Level	Cons	Qty	Rep. QTY
47		WP0450801SC		WASHER 4.5X10X0.8						2	
48		SM4041055SP		SCREW						1	
49		NM6040001SC		NUT M4X0.7 TYPE1						1	
50		70001673		LOOPER_THD_COVER						1	
51		SM4040655SP		SCREW M4 L=6						2	
52		70001413		MOTOR_COVER						1	
53		40119461		HEAD FAN MOTOR A ASSY						1	
54		70001457		FAN_CORD_ASSY						1	
55		SL6042092TN		SCREW M4 L=20						2	
56		SM4051455SP		SCREW M5 L=14						4	
57		70004255		THROAT_PLATE_SUPPORT						1	
58		NM6040000SN		NUT M4						1	
59		70001642		COVER_FOR_FEED_ADJUST						1	
60		70001643		COVER_FOR_FEED - ADJUST_PACKING						1	
61		SM4040855SP		SCREW						6	
62		70001484		FINGER_GUARD						1	
63		SM8041012TP		SCREW M4 L=10						1	
64		SM6040750TP		SCREW M4 L=7						2	
65		70004262		REAR_COVER						1	
66		SM1040650TP		SCREW						2	
67		HX00314000D		SPIRAL TUBE						.7	

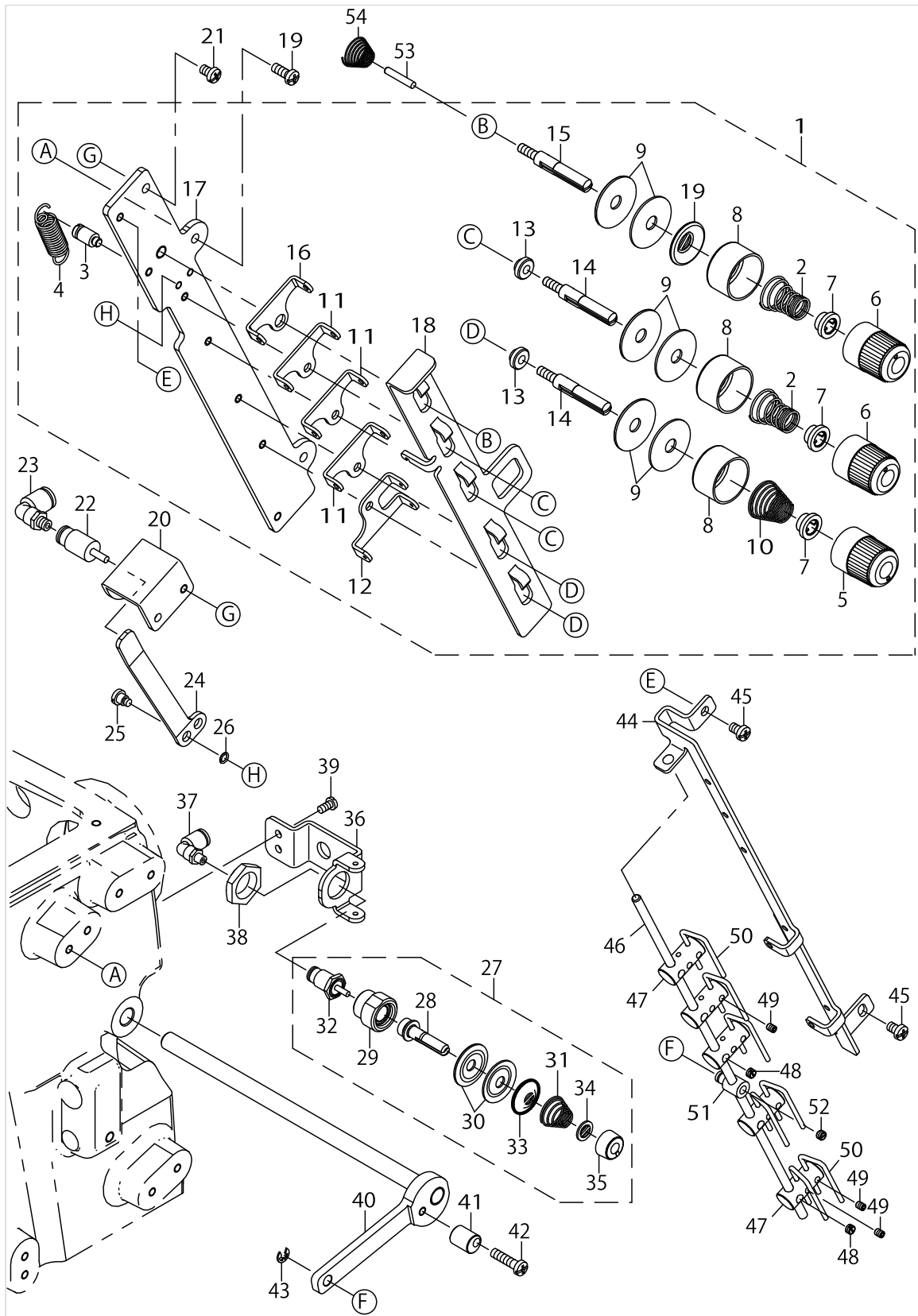
THREAD TENSION COMPONENTS



THREAD TENSION COMPONENTS

No.	Supply Code	Parts No.	Replacement	Parts name	Remarks	Choice	Step	Level	Cons	Qty	Rep. QTY
1		70004074		THREAD_TENSION_ASSY_UT59						1	
2		13140504		TENSION SPRING				*		3	
3		13340302		SHOULDER SCREW				*		1	
4	D	26019000		THREAD TENSION SPRING				*		1	
5		40042363		KNOB				*		2	
6		40042364		KNOB GREEN				*		3	
7		40042365		SPRING BUSHING				*		5	
8		40042366		THREAD TENSION DISK PRESSER				*		5	
9		40101602		THREAD_TENSION_DISC				*		10	
10		40102003		SPRING				*		2	
11		70001615		TENSION_DISC_EYELET_A				*		3	
12		70001616		TENSION_DISC_EYELET_B				*		1	
13		70001617		SPACER				*		4	
14		70001620		TENSION_POST				*		4	
15		70004070		TENSION_POST_NO.2				*		1	
16		70004071		TENSION_DISC_EYELET_C				*		1	
17		70004072		TENSION_POST_SUPPORT				*		1	
18		70004073		TENSION_DISC_SEPARATOR				*		1	
19		B3132552000		THREAD TENSION DISK PRESSER				*		1	
20		70004067		DISK_RELEASE_PLATE_A						1	
21		SM4040655SP		SCREW M4 L=6						1	
22		PA0600504A0		AIR CYLINDER						1	
23		PJ304040504		ELBOW UNION						1	
24		70004068		DISK_RELEASE_PLATE_B						1	
25		SD0470316TP		SHOULDER SCREW D=4.7 H=3.1						2	
26		RO036080200		RUBBER RING						2	
27		70004076		THREAD TENSION ASM.						1	
28		70004077		THREAD TENSION POST				*		1	
29		70004078		THREAD TENSION POST BASE				*		1	
30		22921506		THREAD TENSION DISK				*		2	
31		70004079		TENSION SPRING				*		1	
32		PA0600504A0		AIR CYLINDER				*		1	
33		22921803		DISK STOPPER				*		1	
34		22921407		ROTATION STOPPER				*		1	
35		22921308		THREAD TENSION NUT				*		1	
36		70003449		AIR_CYLINDER_BRACKET						1	
37		PJ304040504		ELBOW UNION						1	
38		NM6160511SE		NUT M16X1.5						1	
39		SM4040855SP		SCREW						2	
40		70001618		PULL_OFF_LEVER_ASSY						1	
41		40065785		TENS_RELEASE_ADJ_ECC						1	
42		SM4041655SP		SCREW M4 L=16						1	
43		RE0300000K0		E-RING 3						1	
44		70001621		THREAD_GUIDE						1	
45		SM4040655SP		SCREW M4 L=6						2	
46		13456108		PULL_OFF_BAR						1	

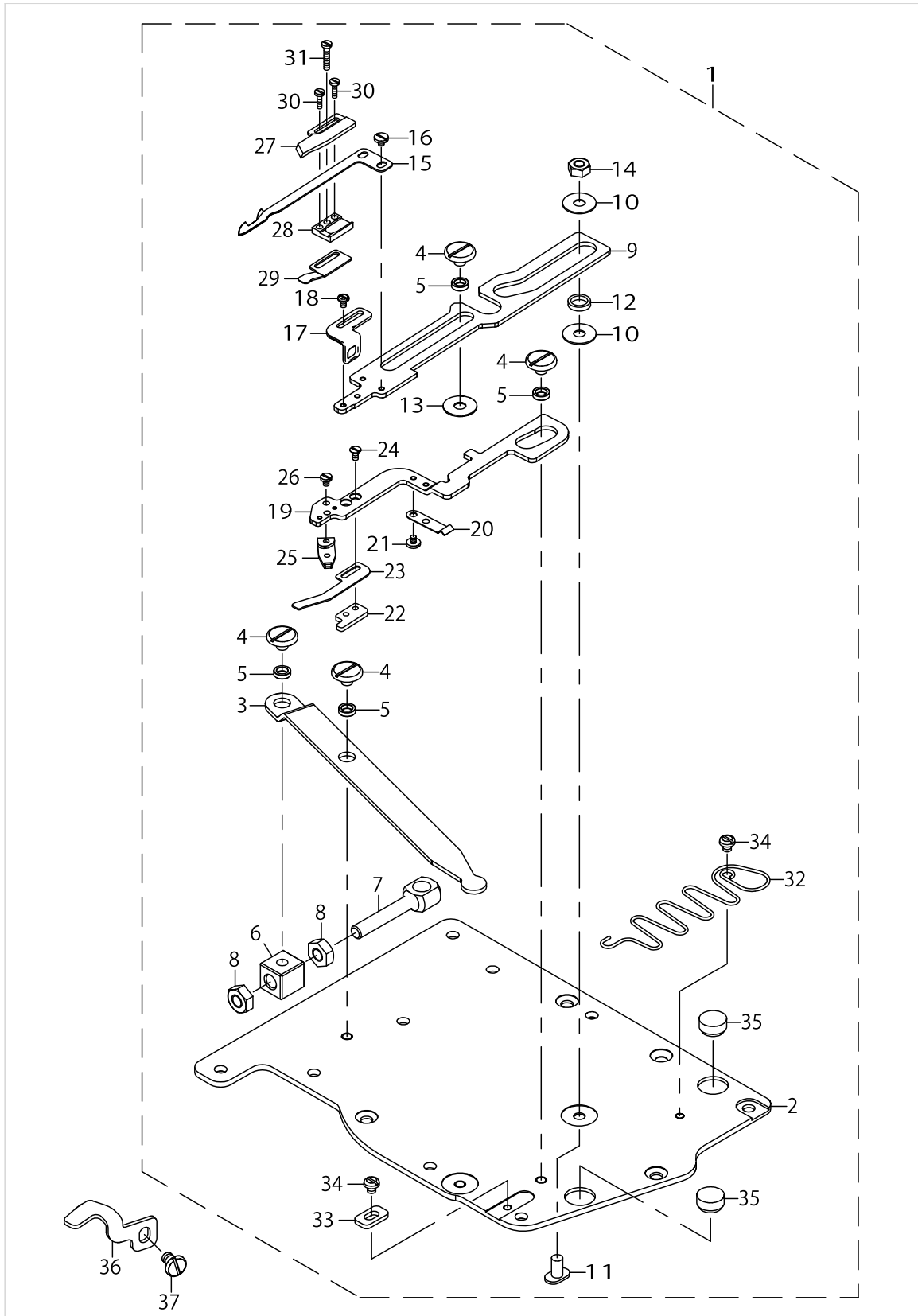
THREAD TENSION COMPONENTS



THREAD TENSION COMPONENTS

No.	Supply Code	Parts No.	Replacement	Parts name	Remarks	Choice	Step	Level	Cons	Qty	Rep. QTY
47		13456207		THD_P_O_HOOK_GUIDE						5	
48		SM8040360TP		SCREW						5	
49		SM8030412TP		SCREW						7	
50		13456603		THD_PULL_OFF_HOOK						7	
51		13456405		THD_PULL_OFF_BAR_HOLDER						1	
52		SM8040360TP		SCREW						1	
53		70004069		TENSION_DISK_ROD						1	
54		22945505		THREAD TENSION SPRING						1	

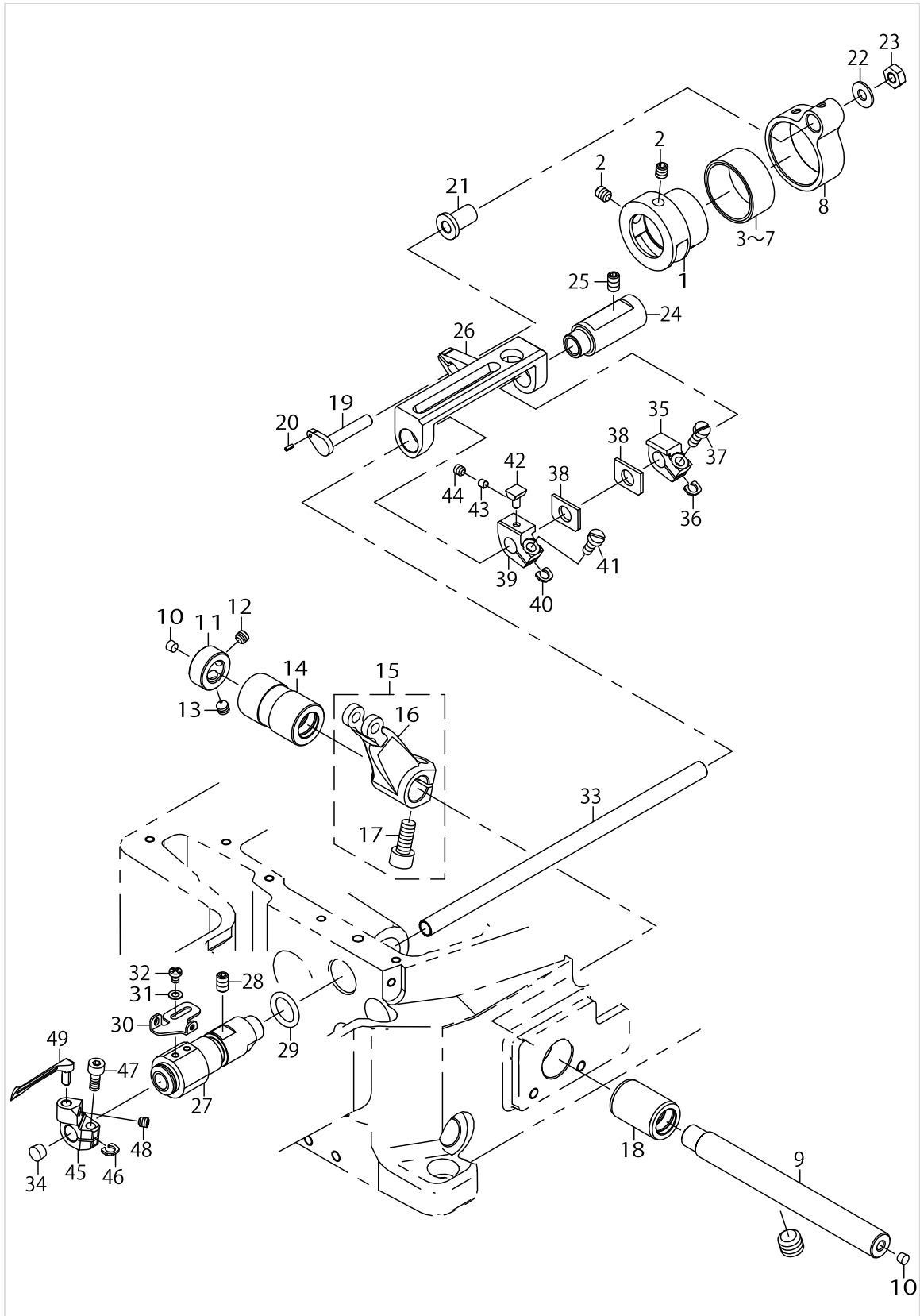
LOOPER THREAD TRIMMER COMPONENTS



LOOPER THREAD TRIMMER COMPONENTS

No.	Supply Code	Parts No.	Replacement	Parts name	Remarks	Choice	Step	Level	Cons	Qty	Rep. QTY
1		70004082		UNDER_TRIMMER_ASSY						1	
2		70001662		COVER_PLATE				*		1	
3		40086294		LEVER				*		1	
4		40086303		SCREW_M4X0.5L4				*		4	
5		40086293		COLLAR_D6				*		4	
6		40086295		CONNECTING_BLOCK_A				*		1	
7		40086296		CONNECTING_BLOCK_B				*		1	
8		NM6050001SP		NUT M5				*		2	
9		40086275		LOWER_KNIFE HOLDER				*		1	
10		WP0420516KH		THRUST WASHER 4.2				*		2	
11		40070110		SCREW				*		1	
12		40086292		COLLAR_D8				*		1	
13		WP0431005SP		PLAIN WASHER 4.3X12X1				*		1	
14		NM6040001SP		NUT M4X0.7				*		1	
15		70004083		LOWER_KNIFE				*		1	
16		40086300		SCREW_M2L2.3				*		2	
17		70001800		THREAD_GUIDE				*		1	
18		40086301		SCREW_M2L3				*		2	
19		70001801		KNIFE_GUIDE HOLDER				*		1	
20		40086286		GUIDE_SPRING				*		1	
21		40086300		SCREW_M2L2.3				*		2	
22		40086282		PLATE				*		1	
23		40086280		THREAD_CLAMP				*		1	
24		SM1020450TP		SCREW M2 L=4				*		2	
25		40086308		TENSION_LEVER				*		1	
26		SM6020350SP		SCREW M2 L=2.5				*		1	
27		40086277		UPPER_KNIFE				*		1	
28		70004084		LOWER_KNIFE_GUIDE				*		1	
29		40086279		KNIFE_SPRING				*		1	
30		40086298		SCREW_M1.6L6				*		2	
31		40086299		SCREW_M2L10				*		1	
32		13440409		SPRING_FOR_UT				*		1	
33		40086290		STOPPER				*		1	
34		40086302		SCREW_M3L3				*		2	
35		TA0980502R0		RUBBER PLUG				*		2	
36		70001799		GUIDE_BASE						1	
37		SM6040650TP		SCREW						1	

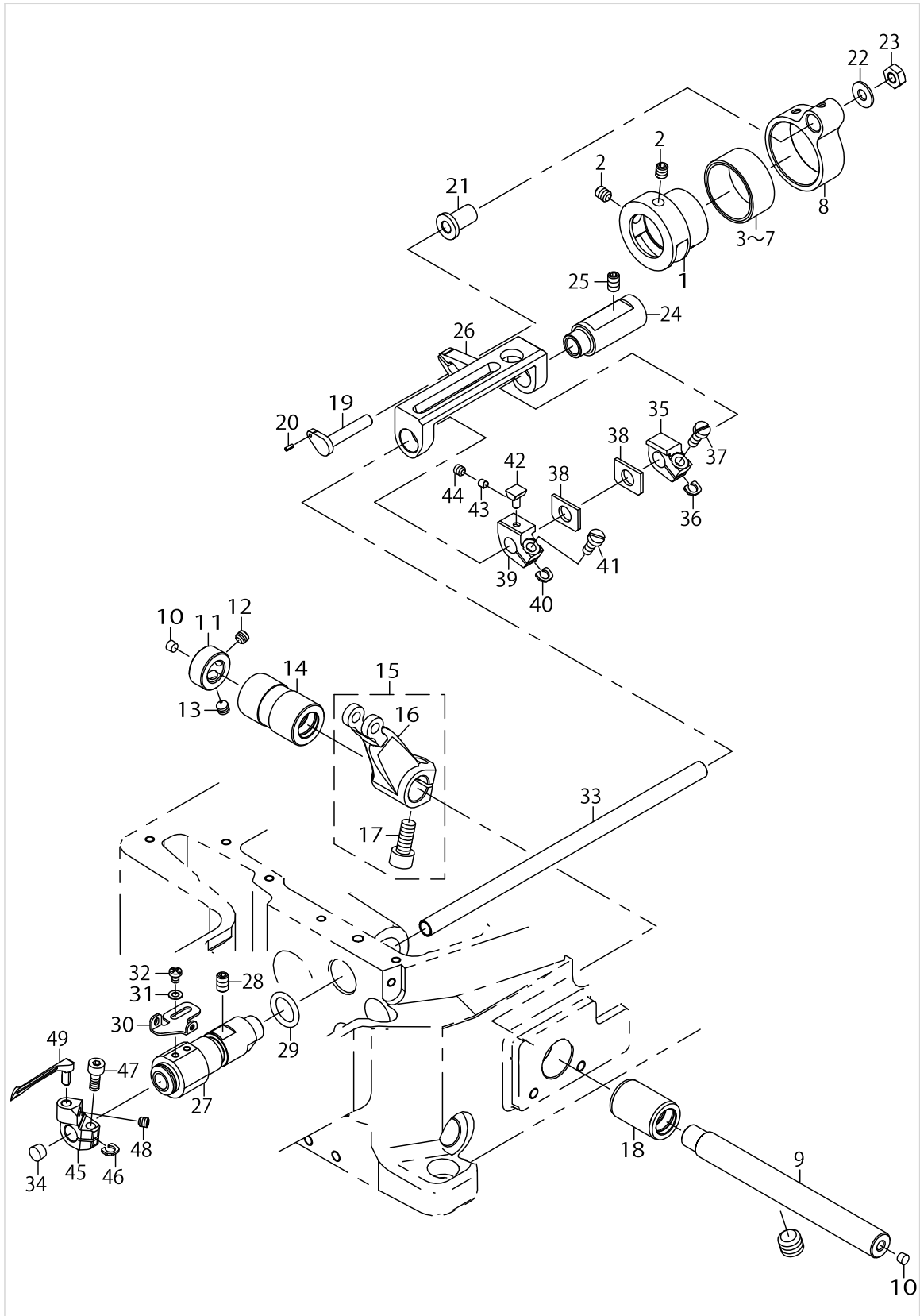
LOOPER COMPONENTS



LOOPER COMPONENTS

No.	Supply Code	Parts No.	Replacement	Parts name	Remarks	Choice	Step	Level	Cons	Qty	Rep. QTY
1		13422001		LOOPER ADOID ECCENTRIC						1	
2		SM8050612TP		SCREW M5X6						2	
3		SB32600020A		BEARING	SELECTIVE PARTS					1	
4		SB32600020B		BEARING	SELECTIVE PARTS					1	
5		SB32600020C		BEARING	SELECTIVE PARTS					1	
6		SB32600020D		BEARING	SELECTIVE PARTS					1	
7		SB32600020E		BEARING	SELECTIVE PARTS					1	
8		13422605		LOOPER AVOID LINK						1	
9		13424304		LOOPER SHAFT						1	
10		TA0400301M0		PLUG D=4X4.5 L=3						2	
11		CS1000881TP		THRUST COLLAR						1	
12		SM8050412TP		SCREW M5 L=4						1	
13		SM8050642TP		SCREW						1	
14		13423900		BUSHING REAR						1	
15		13424452		LEVER_ASSY						1	
16	R	13424403	13424452	LEVER				*		1	1.00
17		SM6061402TP		SCREW M6 L=14				*		1	
18		13424502		BUSHING FRONT						1	
19		13422704		LOOPER AVOID PIN						1	
20		PS0150042K0		SPRING PIN 1.5X 4						1	
21		13422803		BUSHING						1	
22		13120605		WASHER						1	
23		NM6050001SC		NUT M5X0.8 TYPE1						1	
24		13423009		BUSHING RIGHT						1	
25		SM8050812TP		SCREW M5X8						1	
26		13422902		GUIDE LOOPER BAR						1	
27		70004052		BUSHING_LEFT_UT59						1	
28		SM8050812TP		SCREW M5X8						1	
29		RO118240100		O-RING						1	
30	R	70001762	70004729	THREAD_GUIDE		A				1	1.00
30	R	70001762	70004367	THREAD_GUIDE		A				1	1.00
31		WP0320500SC		WASHER M3						2	
32		SM4030455SP		SCREW						2	
33		13424601		LOOPER BAR						1	
34		TA0600401R0		PLUG						1	
35		13423405		HOLDER						1	
36		13423801		WASHER						1	
37		SM6041000SP		SCREW M4 L=10						1	
38		13423603		WASHER						2	
39		13423504		SLIDER HOLDER						1	
40		13423801		WASHER						1	
41		SM6041000SP		SCREW M4 L=10						1	
42		13423306		SLIDER						1	
43		13423702		PIN						1	
44		SM8040412TP		SET SCREW M4 L=4						1	
45		13424700		LOOPER HOLDER						1	

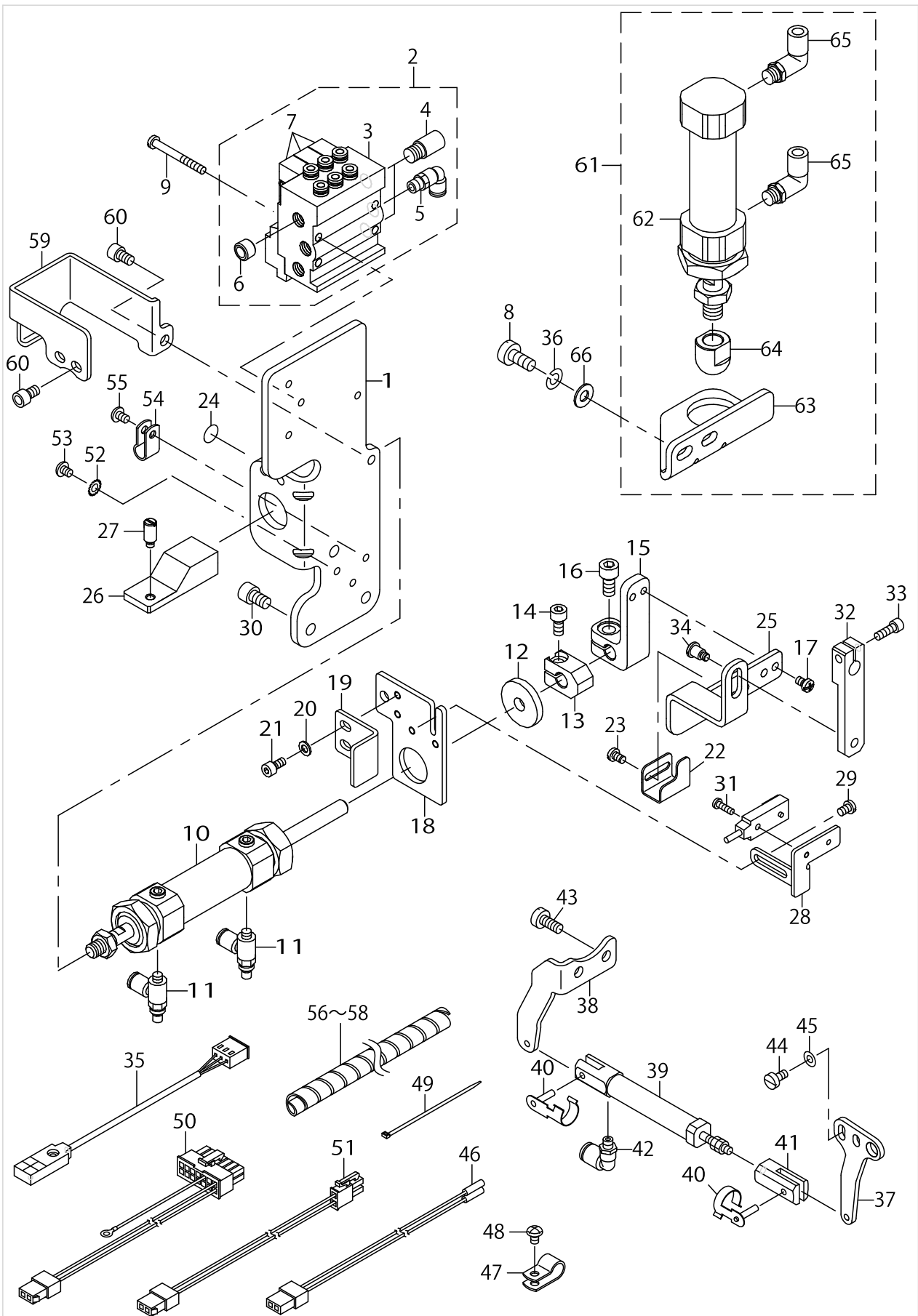
LOOPER COMPONENTS



LOOPER COMPONENTS

No.	Supply Code	Parts No.	Replacement	Parts name	Remarks	Choice	Step	Level	Cons	Qty	Rep. QTY
46		13423801		WASHER						1	
47		SM6041002TP		SCREW M4X0.7 L=10						1	
48		SM8040412TP		SET SCREW M4 L=4						1	
49		13424809		LOOPER						1	

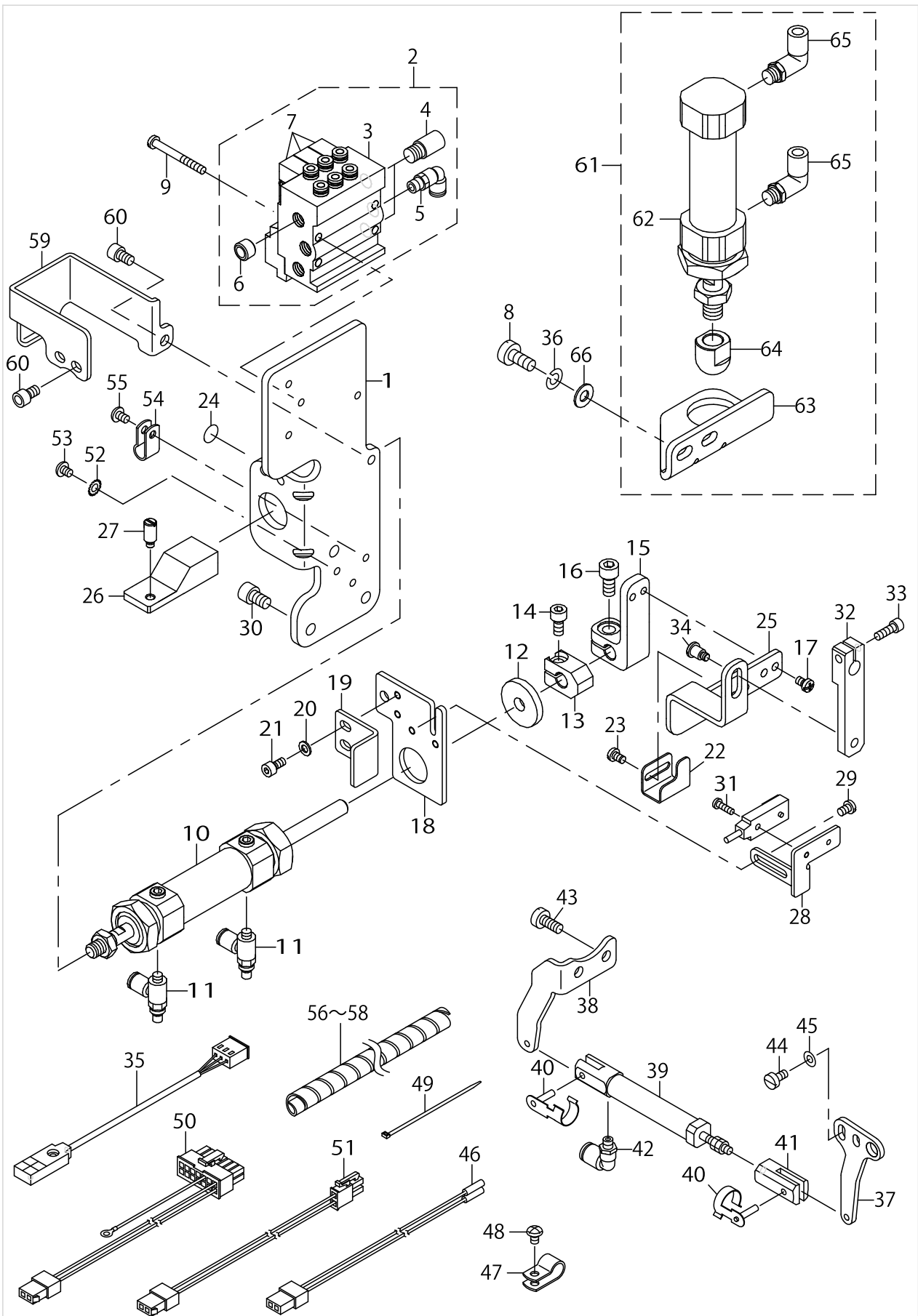
PNEUMATIC DRIVE & PRESSER FEED LIFTER COMPONENTS



PNEUMATIC DRIVE & PRESSER FEED LIFTER COMPONENTS

No.	Supply Code	Parts No.	Replacement	Parts name	Remarks	Choice	Step	Level	Cons	Qty	Rep. QTY
1		13442504		AIR_CYLINDER_BRACKET						1	
2		70004075		MANIFOLD_VALVE_ASSY						1	
3		PV035161000		MANIFOLD				*		1	
4		PX055104000		SILENCER (PT1/8)				*		2	
5		PJ304065101		ELBOW UNION 6XPT1/8				*		1	
6		PJ025100002		PLUG R1/8				*		3	
7		PV150103200		5-PORT SOKENOID VALVE				*		3	
8		SM6061400SP		SCREW M6 L=14						2	
9		SM4043555SP		SCREW						2	
10		PA2001802A0		AIR CYLINDER						1	
11		PC010508000		SPEED CONTROLLER						2	
12		13443601		WASHER						1	
13		13442900		COLLAR						1	
14		SM6051002TP		SCREW M5X0.8 L=10						1	
15		13443007		PLATE HOLDER						1	
16		SM6061202TP		SCREW M6 L=12						1	
17		SM4040655SP		SCREW M4 L=6						2	
18		70001776		SENSOR HOLDER						1	
19		70001778		SUPPORT_PLATE_UT						1	
20		WP0430800SC		WASHER M4						2	
21		SM6040802TP		SCREW M4X0.7 L=8						2	
22		13443205		SWITCH_PLATE						1	
23		SM4040655SP		SCREW M4 L=6						2	
24		22901805		GROUND MARK						1	
25		13443106		TENS_RELEASE_PLATE						1	
26	D	13442603		PLUNGER						1	
27		13442702		PIN						1	
28		70001777		SENSOR HOLDER						1	
29		SM4040655SP		SCREW M4 L=6						2	
30		SM6061002TP		SCREW M6 L=10						3	
31		SM4031001SN		SCREW						1	
32		70001479		TENSION_RELEASE_LEVER						1	
33		SM6041202TP		SCREW M4X0.7 L=12						1	
34		SD0700706TP		SHOULDER SCREW						1	
35		40021746		UNDER_TRIMMER_S- SENSOR_CABLE_ASM						1	
36		WS0610002KP		SPRING WASHER						2	
37		40019869		SS_LEVER						1	
38		40019870		SS_CYLINDER_BKT						1	
39		PA1002009B0		AIR CYLINDER						1	
40		PX500005000		CYLINDER MOVING BASE						2	
41		PX500006000		Y-SHAPE NUCKLE						1	
42		PC010508000		SPEED CONTROLLER						1	
43		SM6051200TP		SCREW						2	
44		SM6040800SP		SCREW						2	
45		WP0450826SC		WASHER 4.5X10X0.8						2	
46		40019877		SS_CABLE_ASM						1	

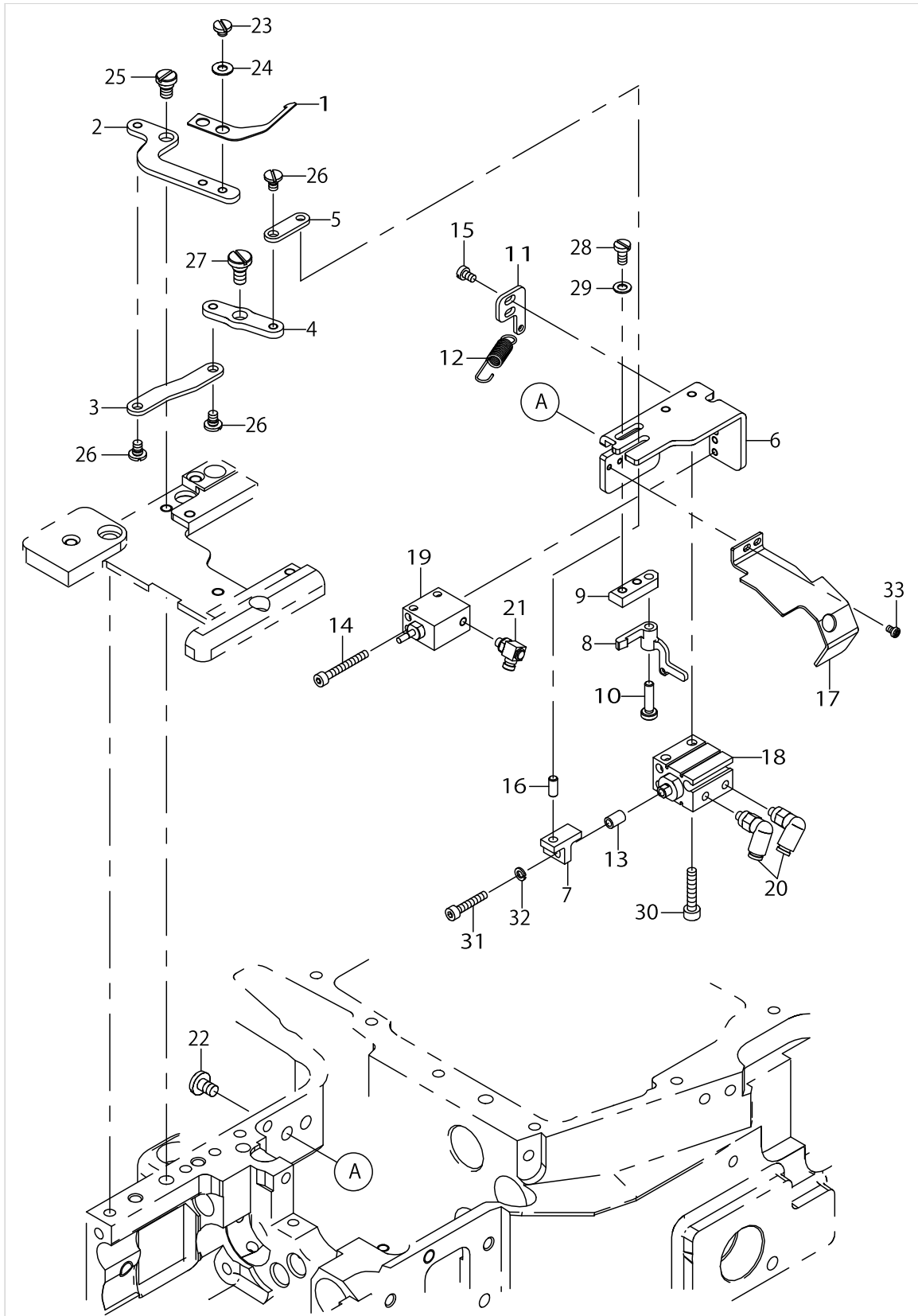
PNEUMATIC DRIVE & PRESSER FEED LIFTER COMPONENTS



PNEUMATIC DRIVE & PRESSER FEED LIFTER COMPONENTS

No.	Supply Code	Parts No.	Replacement	Parts name	Remarks	Choice	Step	Level	Cons	Qty	Rep. QTY
47		HX00150000C		CABLE CLAMP						2	
48		SM4040655SP		SCREW M4 L=6						2	
49		EA9500B0100		CABLE BAND						3	
50		40027211		UNDER_TRIMMER_CABLE_B_ASM						1	
51		40027213		LIFT_UP_CABLE_B_ASM						1	
52		WT0430002KN		WASHER M4						1	
53		SM4040501SN		SCREW M4X0.7 L=5						1	
54		HX00150000B		CABLE CLAMP						1	
55		SM4040655SP		SCREW M4 L=6						1	
56		HX003140000		SPIRAL TABE						.96	
57		HX00314000D		SPIRAL TUBE						.12	
58		HX00314000D		SPIRAL TUBE						.1	
59		40069703		SOLENOIDE_COVER						1	
60		SM6050802TP		SCREW M5X0.8 L=8						3	
61		40018079		PNEUMATIC_P_F_LIFTER_ASSY						1	
62		PA2503004A0		AIR CYLINDER				*		1	
63		13455001		AIR_CYLINDER_BRACKET				*		1	
64		13455100		AIR_CYLINDER_CAP				*		1	
65		PJ304045102		ELBOW UNION, C				*		2	
66		WP0621016SD		WASHER 6.2X13X1						2	

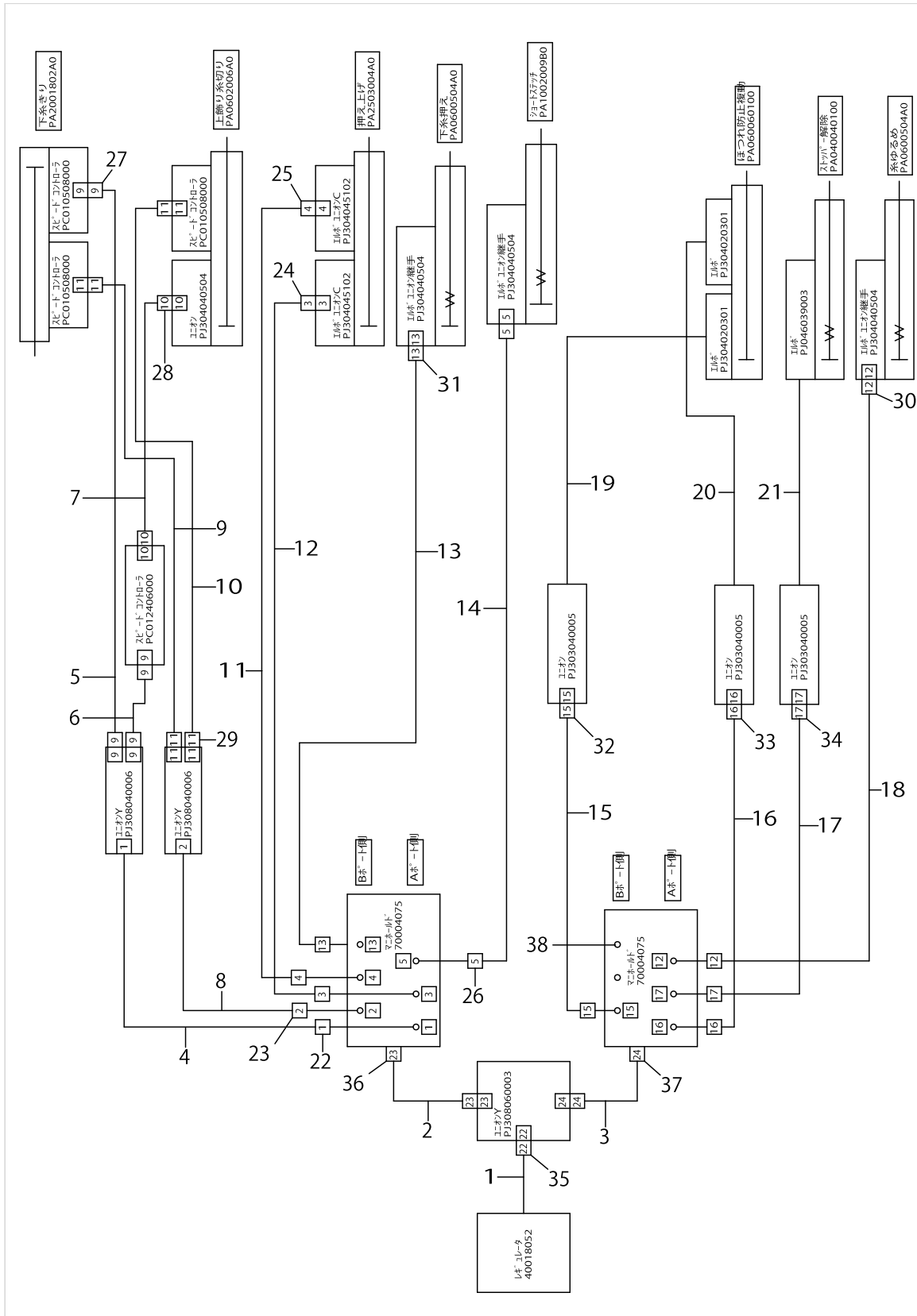
FRAY PREVENTION COMPONENTS



FRAY PREVENTION COMPONENTS

No.	Supply Code	Parts No.	Replacement	Parts name	Remarks	Choice	Step	Level	Cons	Qty	Rep. QTY
1		70003434		HOOK						1	
2		70003435		HOOK_BASE						1	
3		70003436		LINK_A						1	
4		70003437		LINK_B						1	
5		70003438		LINK_C						1	
6		70003439		AIR_CYLINDER_BASE						1	
7		70003440		AIR_CYLINDER_GUIDE						1	
8		70003441		STOPPER						1	
9		70003442		STOPPER_BASE						1	
10		70003443		STOPPER_PIN						1	
11		70003444		SPRING_BRACKET						1	
12		70003447		SPRING						1	
13		70003448		COLLAR						1	
14		SM6852002TN		SCREW						2	
15		SM6850400SP		SCREW M2.5 L=4						2	
16		70003453		LINK_PIN						1	
17		70003455		NDL_GUARD_COVER						1	
18		PA060060100		AIR CYLINDER						1	
19		PA040040100		AIR CYLINDER						1	
20		PJ304020301		ELBOW						2	
21		PJ046039003		ELBOW						1	
22		SM5040655SN		SCREW						1	
23		SM6030350SN		SCREW M3 L=2.5						2	
24	R	WP0320501SE	WP0320501SC	WASHER 3						2	1.00
25		SD0500205TH		SHOULDER SCREW						1	
26		SD0350156TP		SHOULDER SCREW						3	
27		SD0600277TP		SHOULDER SCREW D=6 H=2.7						1	
28		SM6030650TP		SCREW						2	
29		WP0320500SC		WASHER M3						2	
30		SM6031602TN		SCREW M3 L=16						2	
31		SM6851452TN								1	
32		WS0260002KN		WASHER M2.6						1	
33		SM4020301SC		SCREW M2X0.4 L=3						2	

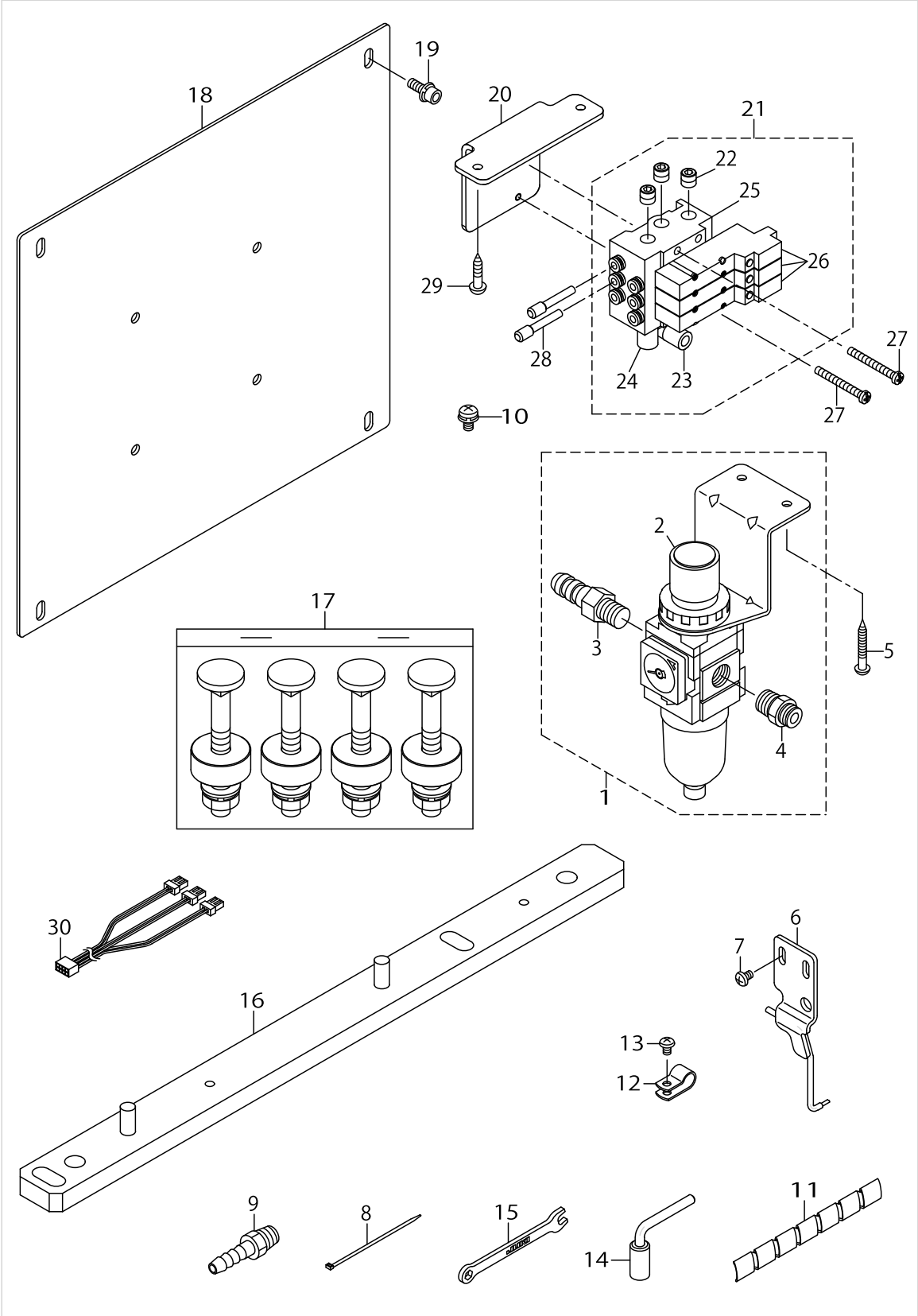
AIR PIPING DIAGRAM



AIR PIPING DIAGRAM

No.	Supply Code	Parts No.	Replacement	Parts name	Remarks	Choice	Step	Level	Cons	Qty	Rep. QTY
1		BT0600401EB		URETHANE TUBE BLACK 6X4						2	
2		BT0600401EB		URETHANE TUBE BLACK 6X4						.22	
3		BT0600401EB		URETHANE TUBE BLACK 6X4						.13	
4		BT0400251EB		URETHANE TUBE BLACK 4X2.5						.08	
5		BT0400252EB		URETHANE TUBE BLACK 4X2.6						.32	
6		BT0400253EB		URETHANE TUBE BLACK 4X2.7						.42	
7		BT0400254EB		URETHANE TUBE BLACK 4X2.8						.23	
8		BT0400255EB		URETHANE TUBE BLACK 4X2.9						.08	
9		BT0400256EB		URETHANE TUBE BLACK 4X2.10						.27	
10		BT0400257EB		URETHANE TUBE BLACK 4X2.11						.63	
11		BT0400258EB		URETHANE TUBE BLACK 4X2.12						.3	
12		BT0400259EB		URETHANE TUBE BLACK 4X2.13						.22	
13		BT0400261EB		URETHANE TUBE BLACK 4X2.15						.45	
14		BT0400262EB		URETHANE TUBE BLACK 4X2.16						.65	
15		BT0400263EB		URETHANE TUBE BLACK 4X2.17						.2	
16		BT0400264EB		URETHANE TUBE BLACK 4X2.18						.2	
17		BT0400265EB		URETHANE TUBE BLACK 4X2.19						.2	
18		BT0400266EB		URETHANE TUBE BLACK 4X2.20						.6	
19		BT0180101EB		TUBE HOSE						.35	
20		BT0180102EB		TUBE HOSE 1.8X2						.35	
21		BT0180103EB		TUBE HOSE 1.8X3						.35	
22		18035006		CABLE MARK NO.1						3	
23		18035105		WIRE MARK (2)						3	
24		18035204		WIRE MARK (3)						4	
25		18035303		WIRE MARK (4)						4	
26		18035402		WIRE MARK (5)						3	
27		18035808		WIRE MARK (9)						8	
28		18035907		WIRE MARK (10)						4	
29		18036004		WIRE MARK (11)						8	
30		18036103		WIRE MARK (12)						4	
31		18036202		WIRE MARK (13)						4	
32		18036400		WIRE MARK (15)						4	
33		18036509		WIRE MARK (16)						4	
34		18036608		WIRE MARK (17)						4	
35		18037101		WIRE MARK (22)						2	
36		18037200		WIRE MARK (23)						3	
37		18037309		WIRE MARK (24)						3	
38		PX500014000		PLUG						2	

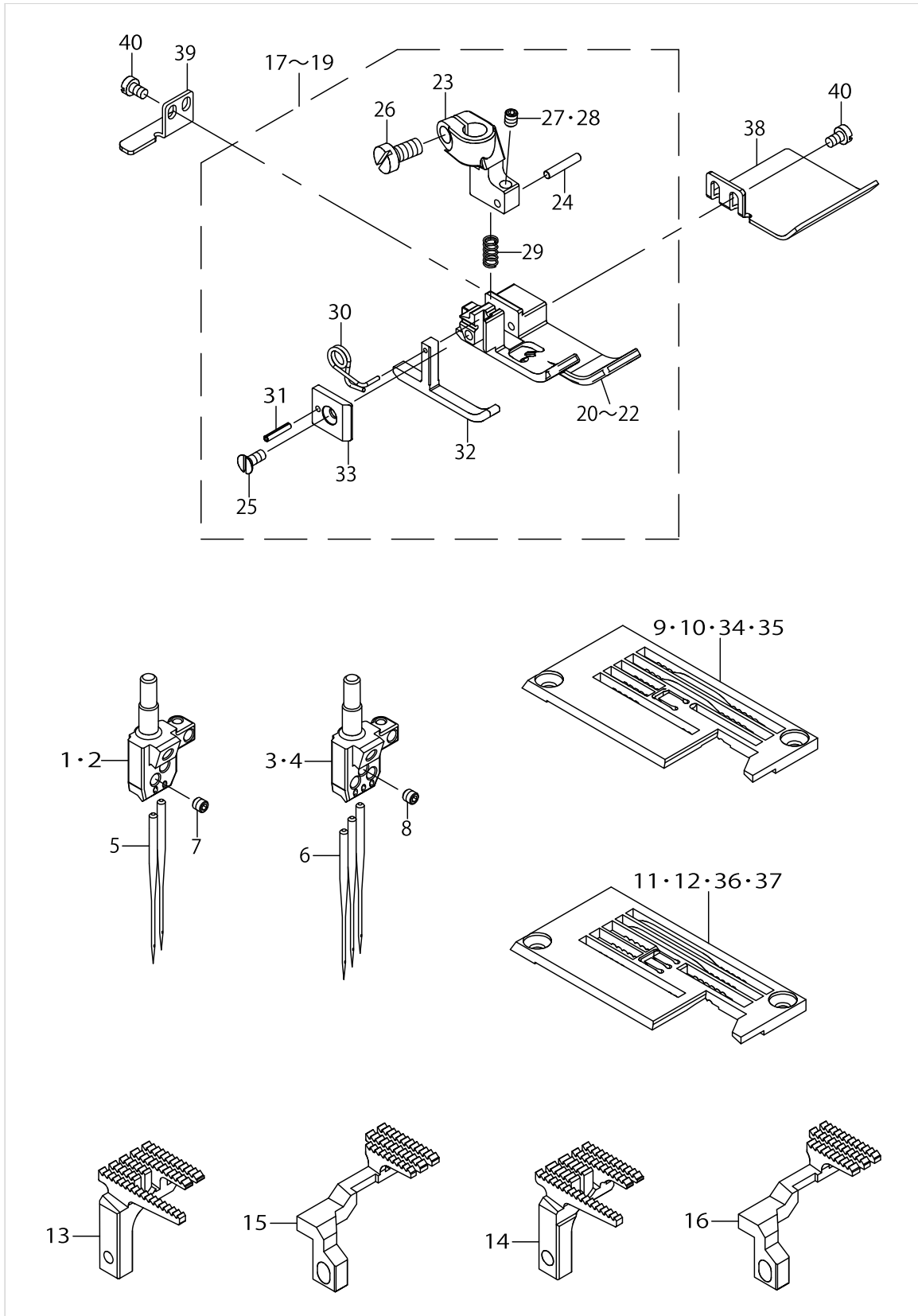
ACCESSORIE PARTS COMPONENTS



ACCESSORIE PARTS COMPONENTS

No.	Supply Code	Parts No.	Replacement	Parts name	Remarks	Choice	Step	Level	Cons	Qty	Rep. QTY
1		40018052		FILTER_REGULATOR_ASSY						1	
2		PF0552070C0		FILTER GEGULATOR				*		1	
3		F1021003000		HOSE JOINT				*		1	
4		PJ301065201		HALF UNION 6XPT1/4				*		1	
5		SK3452001SE		WOOD SCREW D=4.5 L=20						2	
6		70001785		AIR_BLOW_WIPER_ASSY	FOR UT56					1	
7		SM4040655SP		SCREW M4 L=6						2	
8		EA9500B0100		CABLE BAND						3	
9		PJ032526001		HOSE NIPPLE						1	
10		SL4051091SC		SCREW M5X0.8 L=10	FOR HALF-SUNKEN TYPE TABLE					4	
11		HX00314000A		SPIRAL TUBE						6	
12		HX00150000C		CABLE CLAMP						1	
13		SM4040655SP		SCREW M4 L=6						1	
14		40073360		WRENCH						1	
15		13160106		SPANNER (5X6)						1	
16		70001843		SUPPORT_PLATE_ASSY	FOR HALF-SUNKEN TYPE TABLE					2	
17		40026691		ASSY_BOLT_SET(78-00_SUBMERGED)	FOR HALF-SUNKEN TYPE TABLE					1	
18		40094198		SC_BRACKET	FOR HALF-SUNKEN TYPE TABLE					1	
19		SL6051492TN		BOLT	FOR HALF-SUNKEN TYPE TABLE					4	
20		70003446		MANIFOLD_BRACKET						1	
21		70004075		MANIFOLD_VALVE_ASSY						1	
22		PJ025100002		PLUG R1/8				*		3	
23		PJ304065101		ELBOW UNION 6XPT1/8				*		1	
24		PX055104000		SILENCER (PT1/8)				*		2	
25		PV035161000		MANIFOLD				*		1	
26		PV150103200		5-PORT SOKENOID VALVE				*		3	
27		SM4043555SP		SCREW						2	
28		PX500014000		PLUG						2	
29		SK3452001SE		WOOD SCREW D=4.5 L=20						2	
30		40136651		CABLE ASSY						1	

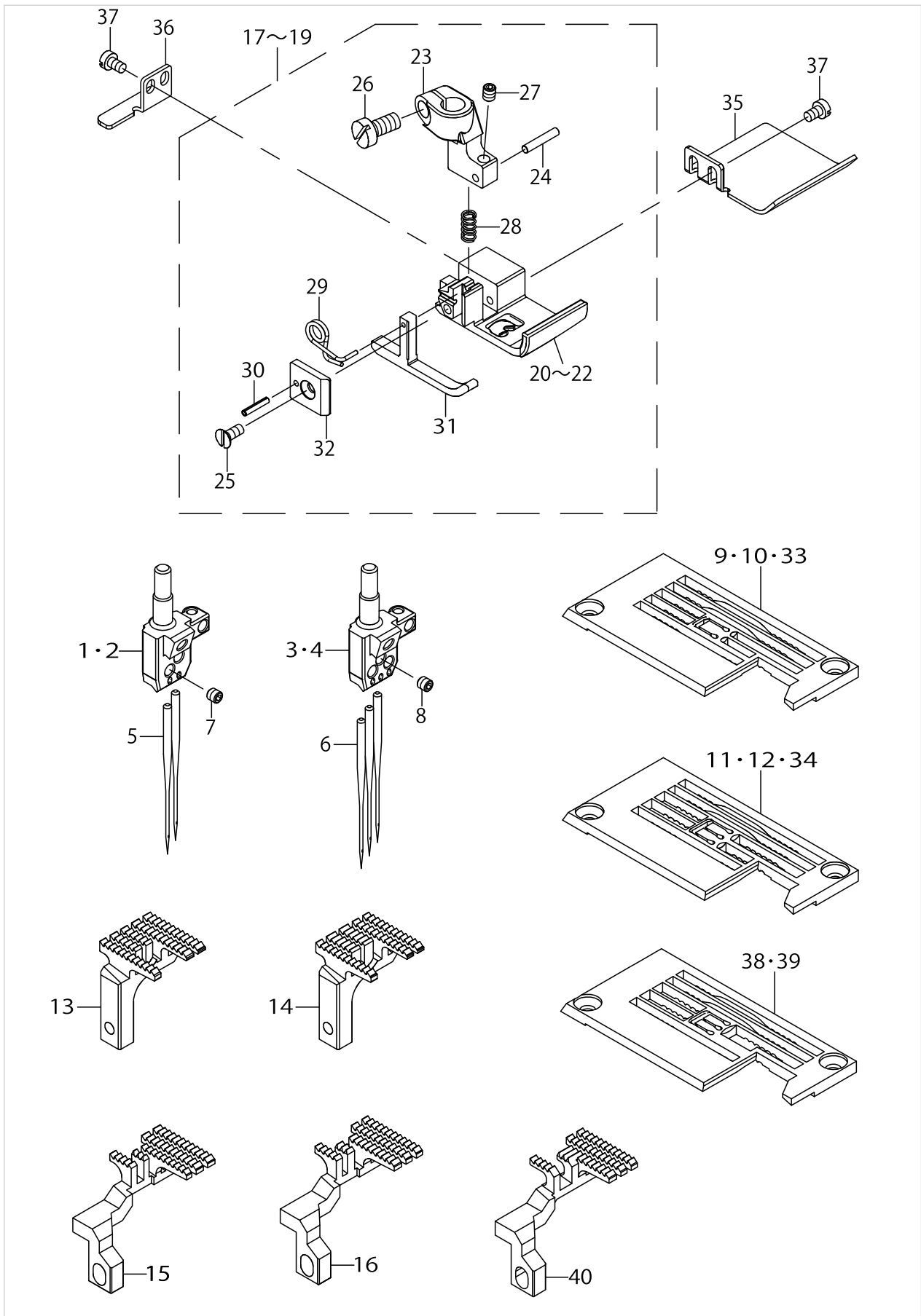
GAUGE COMPONENTS (FOR H22)



GAUGE COMPONENTS (FOR H22)

No.	Supply Code	Parts No.	Replacement	Parts name	Remarks	Choice	Step	Level	Cons	Qty	Rep. QTY
1		13350103		NEEDLE_HEAD_40	FOR B40					1	
2		13350509		NEEDLE_HEAD_48	FOR B48					1	
3		13350301		NEEDLE_HEAD_56	FOR B56					1	
4		13350400		NEEDLE_HEAD_64	FOR B64					1	
5		MUY128S1000		NEEDLE	FOR B40,B48					2	
6		MUY128S1000		NEEDLE	FOR B56,B64					3	
7		SM8030312TP		SCREW M3 L=3	FOR B40,B48					3	
8		SM8030312TP		SCREW M3 L=3	FOR B56,B64					4	
9		70001948		THROAT_PLATE	FOR B40					1	
10		70001949		THROAT_PLATE	FOR B48					1	
11		13445200		THROAT_PLATE	FOR B56					1	
12		13445309		THROAT_PLATE	FOR B64					1	
13		70004150		MAIN_FEED_DOG	FOR B40,B48					1	
14		70004080		MAIN_FEED_DOG	FOR B56,B64					1	
15		40069022		DIFF_FEED_DOG	FOR B40,B48					1	
16		40069023		DIFF_FEED_DOG	FOR B56,B64					1	
17		70001952		PRESSER_FOOT_ASSY	FOR B40					1	
18	R	40032255	40039796	PRESSER_FOOT_ASSEMBLY_48	FOR B48					1	1.00
19		13467758		PRESSER_FOOT_ASSY	FOR B56,B64					1	
20		70001951		PRESSER_FOOT_BOTTOM	FOR B40			*		1	
21		13467600		PRESSER_FOOT_BOTTOM	FOR B48			*		1	
22		40029648		PRESSER_FOOT_BOTTOM	FOR B56,B64			*		1	
23		13467907		PRESSER_FOOT_SHANK				*		1	
24		13375209		PIVOT_PIN				*		1	
25		SM1850600SP		SCREW				*		1	
26		SM6040800SP		SCREW				*		1	
27		SM8030402TP		SCREW M3X0.5 L=4				*		1	
28		SM8030412TP		SCREW	FOR B48			*		1	
29		13377106		SPRING				*		1	
30		13375308		SPRING_L				*		1	
31		PS0150082KH		SPRING_PIN				*		1	
32		40029649		YIELDING_SECTION				*		1	
33		13468103		YIELDING_SECTION_PLATE				*		1	
34		40069018		THROAT_PLATE	FOR B40(- OPTION TYPE D)					1	
35		70001950		THROAT_PLATE	FOR B48(- OPTION TYPE D)					1	
36		40069019		THROAT_PLATE	FOR B56(- OPTION TYPE D)					1	
37		40069020		THROAT_PLATE	FOR B64(- OPTION TYPE D)					1	
38		40038064		FABRIC GUIDE	ACCESSO- RY PARTS					1	
39		40027899		FABRIC_GUIDE	ACCESSO- RY PARTS					1	
40		SM6850400SP		SCREW M2.5 L=4	ACCESSO- RY PARTS					4	

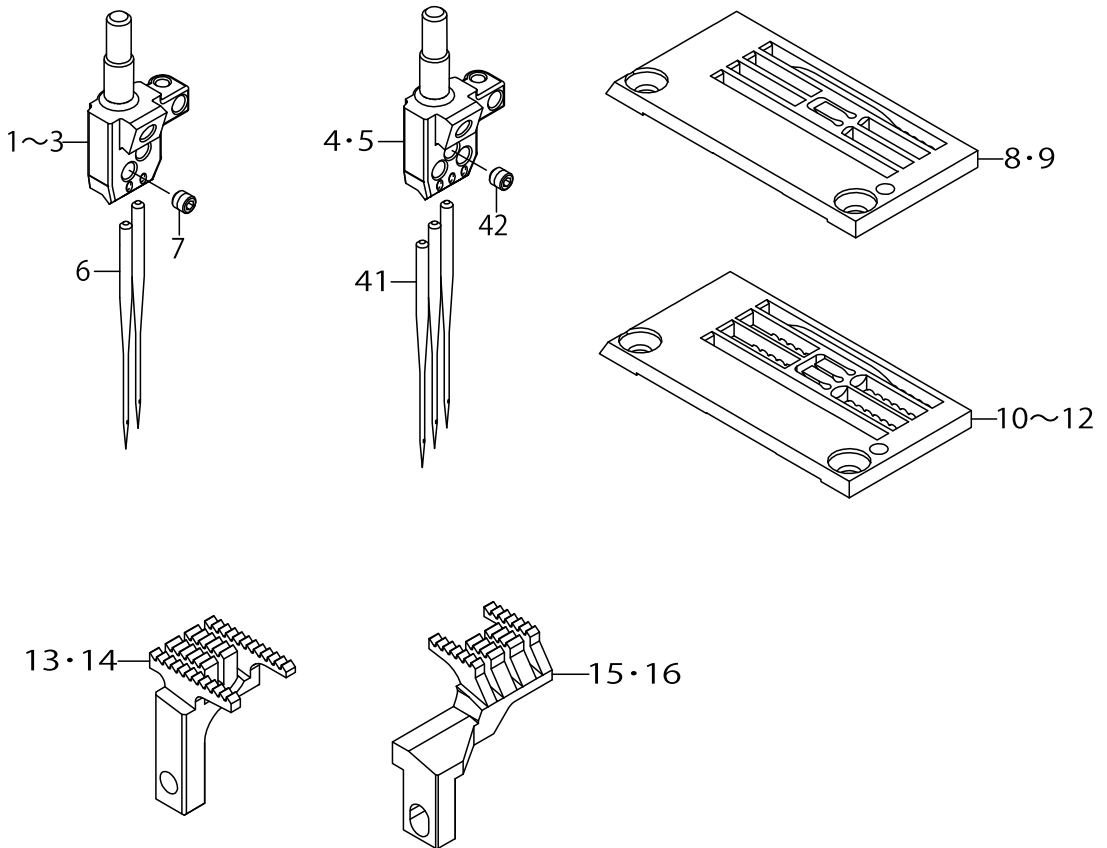
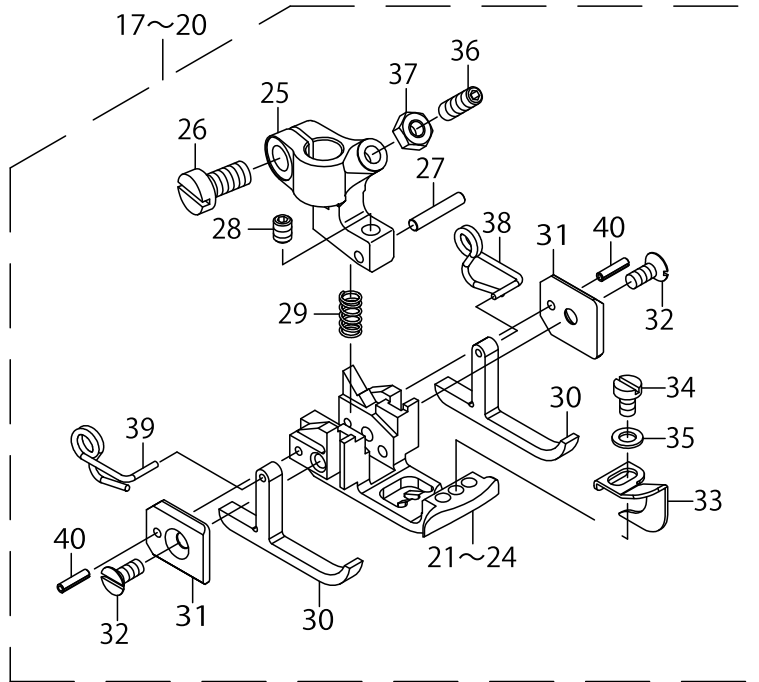
GAUGE COMPONENTS (FOR H23)



GAUGE COMPONENTS (FOR H23)

No.	Supply Code	Parts No.	Replacement	Parts name	Remarks	Choice	Step	Level	Cons	Qty	Rep. QTY
1		13350103		NEEDLE_HEAD_40	FOR B40					1	
2		13350509		NEEDLE_HEAD_48	FOR B48					1	
3		13350301		NEEDLE_HEAD_56	FOR B56					1	
4		13350400		NEEDLE_HEAD_64	FOR B64					1	
5		MUY128S1000		NEEDLE	FOR B40,B48					2	
6		MUY128S1000		NEEDLE	FOR B56,B64					3	
7		SM8030312TP		SCREW M3 L=3	FOR B40,B48					3	
8		SM8030312TP		SCREW M3 L=3	FOR B56,B64					4	
9		40058639		THROAT_PLATE H21B40	FOR B40					1	
10		13445101		THROAT_PLATE	FOR B48					1	
11		40041203		THROAT PLATE H20B56	FOR B56					1	
12		40041204		THROAT PLATE H20B64	FOR B64					1	
13		40041249		MAIN_FEED_DOG	FOR B40,B48					1	
14		40032900		MAIN_FEED_DOG	FOR B56,B64					1	
15		70004151		DIFF_FEED_DOG	FOR B40,B48					1	
16		70004081		DIFF_FEED_DOG	FOR B56,B64					1	
17		40048637		PRESSER_FOOT_ASSY	FOR B40					1	
18		40039796		PRESSER_FOOT_ASSY	FOR B48					1	
19		40039794		PRESSER_FOOT_ASSY	FOR B56,B64					1	
20		40048636		PRESSER_FOOT_BOTTOM	FOR B40			*		1	
21		40039795		PRESSER_FOOT_BOTTOM	FOR B48			*		1	
22		40038066		PRESSER FOOT BOTTOM	FOR B56,B64			*		1	
23		13467907		PRESSER_FOOT_SHANK				*		1	
24		13375209		PIVOT_PIN				*		1	
25		SM1850600SP		SCREW				*		1	
26		SM6040800SP		SCREW				*		1	
27		SM8030412TP		SCREW				*		1	
28		13377106		SPRING				*		1	
29		13375308		SPRING_L				*		1	
30		PS0150082KH		SPRING PIN				*		1	
31		40038032		YIELDING SECTION				*		1	
32		13468103		YIELDING_SECTION_PLATE				*		1	
33		40035066		THROAT_PLATE	FOR B40(- OPTION TYPE D)					1	
34		40049944		THROAT_PLATE	FOR B56(- OPTION TYPE D)					1	
35		40038064		FABRIC GUIDE	ACCESSO- RY PARTS					1	
36		40027899		FABRIC_GUIDE	ACCESSO- RY PARTS					1	
37		SM6850400SP		SCREW M2.5 L=4	ACCESSO- RY PARTS					4	
38		70001885		THROAT_PLATE_B56	B56(FOR TURKEY)					1	
39		70001886		THROAT_PLATE_D56	B56(FOR T- URKEY OP- TION TYPE D)					1	
40		70004279		DIFF_FEED_DOG	B56(FOR TURKEY)					1	

GAUGE COMPONENTS (FOR U11)



GAUGE COMPONENTS (FOR U11)

No.	Supply Code	Parts No.	Replacement	Parts name	Remarks	Choice	Step	Level	Cons	Qty	Rep. QTY
1		13350004		NEEDLE_HEAD_32	FOR B32					1	
2		13350103		NEEDLE_HEAD_40	FOR B40					1	
3		13350509		NEEDLE_HEAD_48	FOR B48					1	
4		13350301		NEEDLE_HEAD_56	FOR B56					1	
5		13350400		NEEDLE_HEAD_64	FOR B64					1	
6		MUY128S1000		NEEDLE						2	
7		SM8030312TP		SCREW M3 L=3						3	
8		40058587		THROAT_PLATE	FOR B32					1	
9		40058706		THROAT_PLATE	FOR B40					1	
10		40040514		THROAT PLATE	FOR B48					1	
11		40058033		THROAT_PLATE	FOR B56					1	
12		40040513		THROAT PLATE	FOR B64					1	
13		13431200		MAIN_FEED_DOG	FOR B32,B40,48					1	
14		13430103		MAIN_FEED_DOG	FOR B56,B64					1	
15		70004268		DIFF_FEED_DOG	FOR B32,B40,48					1	
16		70004267		DIFF_FEED_DOG	FOR B56,B64					1	
17		40090133		PRESSER_FOOT_ASSY	FOR B32					1	
18		40090196		PRESSER_FOOT_ASSY	FOR B40					1	
19		40090197		PRESSER_FOOT_ASSY	FOR B48					1	
20		40082974		PRESSER_FOOT_ASSY	FOR B56,B64					1	
21		40090130		PRESSER_FOOT_BOTTOM	FOR B32			*		1	
22		40090131		PRESSER_FOOT_BOTTOM	FOR B40			*		1	
23		40090132		PRESSER_FOOT_BOTTOM	FOR B48			*		1	
24	R	40082975	40082974	PRESSER_FOOT_BOTTOM	FOR B56,B64			*		1	1.00
25		40070224		PRESSER_FOOT_HINGE				*		1	
26		SM6040800SP		SCREW				*		1	
27		13375209		PIVOT_PIN				*		1	
28		SM8030412TP		SCREW				*		1	
29		13377106		SPRING				*		1	
30		40070226		P_F_YIELDING_SECTION				*		2	
31		40070227		GUIDE_PLATE				*		2	
32		SM1850600SP		SCREW				*		2	
33		40070231		PRESSER_FOOT_GUIDE				*		1	
34		SM6850400SP		SCREW M2.5 L=4				*		1	
35		WP0280500SC		WASHER				*		1	
36		SM8031002TP		SCREW				*		1	
37		NM6030001SD		NUT M3X0.5				*		1	
38		40070230		SPRING_R				*		1	
39		40070229		SPRING_L				*		1	
40		PS0150065KP		SPRING PIN 1.5X6				*		2	
41		MUY128S1000		NEEDLE						3	
42		SM8030312TP		SCREW M3 L=3						4	

HOW TO MAKE USE OF THIS PARTS LIST

- 1.As to "#01" and "#02" refer to the "Note" given at the bottom of the respective pages.
- 2.Codes on the "Qty" column
 - Each numeral indicates the number of parts required.
 - "0.1" and "2.5" indicate the length (in meters) of the respective parts.
- 3.Parentheses mean that the corresponding part is a subpart that constructs an assembly part.
- 4.Dotted lines on the Figures indicate assembly parts.

1. リストページの# 0 1、# 0 2の印は、ページ下の"注記"の説明を参照下さい。
2. 数量欄の数字は、個数を表し、0. 1、2. 5等の数値は、長さ（単位メートル）を表します。
3. 数量欄の（ ）は、組部品を構成している子部品であることを意味します。
4. イラストページの-----枠は、組構成であることを意味します。

ALL PARTS NOT MENTIONED IN THIS PARTS LIST ARE SAME AS THOSE OF
MODEL MF-7900. OTHER PARTS LIST RELATED TO THIS MODEL.
*MF-7900. (NO.1599 PART NO.70002009)

このパーツリスト記載以外の部品はMF-7900.と共通です。
この機種に関連するパーツリストとして下記のパーツリストがあります。
*MF-7900. (NO.1599 品番70002009)

NUMERICAL INDEX OF PARTS

PART NO	PAGE	REF NO.	PART NO	PAGE	REF NO.	PART NO	PAGE	REF NO.
13120605	16	22	13423405	16	35	18035402	26	26
13140504	10	2	13423504	16	39	18035808	26	27
13160106	28	15	13423603	16	38	18035907	26	28
13301809	2	33	13423702	16	43	18036004	26	29
13301809	6	28	13423801	16	46	18036103	26	30
13302203	2	20	13423801	18	46	18036202	26	31
13302302	2	35	13423900	16	14	18036400	26	32
13302302	6	30	13424304	16	9	18036509	26	33
13340302	10	3	13424403	16	16	18036608	26	34
13350004	34	1~3	13424452	16	15	18037101	26	35
13350103	30	1·2	13424502	16	18	18037200	26	36
13350103	32	1·2	13424601	16	33	18037309	26	37
13350103	34	1~3	13424700	16	45	22901409	4	74
13350301	30	3·4	13424809	18	49	22901409	6	17
13350301	32	3·4	13430103	34	13·14	22901805	20	24
13350301	34	4·5	13431200	34	13·14	22921308	10	35
13350400	30	3·4	13440409	14	32	22921407	10	34
13350400	32	3·4	13442504	20	1	22921506	10	30
13350400	34	4·5	13442603	20	26	22921803	10	33
13350509	30	1·2	13442702	20	27	22945505	12	54
13350509	32	1·2	13442900	20	13	26019000	10	4
13350509	34	1~3	13443007	20	15	40018052	28	1
13375209	30	24	13443106	20	25	40018079	22	61
13375209	32	24	13443205	20	22	40019868	4	57
13375209	34	27	13443601	20	12	40019868	6	13
13375308	30	30	13445101	32	9·10·33	40019869	20	37
13375308	32	29	13445200	30	11·12·36- ·37	40019870	20	38
13377106	30	29				40019877	20	46
13377106	32	28	13445309	30	11·12·36- ·37	40021746	20	35
13377106	34	29	13455001	22	63	40026691	28	17
13401906	2	5	13455100	22	64	40027211	22	50
13401906	6	5	13456108	10	46	40027213	22	51
13402003	2	12	13456207	12	47	40027899	30	39
13402003	6	22	13456405	12	51	40027899	32	36
13402706	2	40	13456603	12	50	40029648	30	20~22
13402706	6	35	13467600	30	20~22	40029649	30	32
13409800	4	55	13467758	30	17~19	40030059	4	56
13409800	6	40	13467907	30	23	40030059	6	12
13422001	16	1	13467907	32	23	40032255	30	17~19
13422605	16	8	13468103	30	33	40032900	32	14
13422704	16	19	13468103	32	32	40035066	32	9·10·33
13422803	16	21	18035006	26	22	40038032	32	31
13422902	16	26	18035105	26	23	40038064	30	38
13423009	16	24	18035204	26	24	40038064	32	35
13423306	16	42	18035303	26	25	40038066	32	20~22

NUMERICAL INDEX OF PARTS

PART NO	PAGE	REF NO.	PART NO	PAGE	REF NO.	PART NO	PAGE	REF NO.
40039794	32	17~19	40086290	14	33	70001648	6	31
40039795	32	20~22	40086292	14	12	70001650	6	29
40039796	32	17~19	40086293	14	5	70001652	6	43
40040255	4	48	40086294	14	3	70001655	2	2
40040255	6	27	40086295	14	6	70001655	6	2
40040513	34	10~12	40086296	14	7	70001661	2	10
40040514	34	10~12	40086298	14	30	70001661	6	10
40041203	32	11·12·34	40086299	14	31	70001662	14	2
40041204	32	11·12·34	40086300	14	21	70001663	2	23
40041249	32	13	40086301	14	18	70001663	6	20
40042363	10	5	40086302	14	34	70001673	2	28
40042364	10	6	40086303	14	4	70001673	8	50
40042365	10	7	40086308	14	25	70001678	6	44
40042366	10	8	40090130	34	21~24	70001762	16	30
40048636	32	20~22	40090131	34	21~24	70001776	20	18
40048637	32	17~19	40090132	34	21~24	70001777	20	28
40049944	32	11·12·34	40090133	34	17~20	70001778	20	19
40058033	34	10~12	40090196	34	17~20	70001785	28	6
40058587	34	8·9	40090197	34	17~20	70001799	14	36
40058639	32	9·10·33	40094198	28	18	70001800	14	17
40058706	34	8·9	40101602	10	9	70001801	14	19
40065785	10	41	40102003	10	10	70001843	28	16
40069018	30	9·10·34·35	40119461	2	18	70001866	2	1
40069019	30	11·12·36- ·37	40119461	8	53	70001870	2	34
40069020	30	11·12·36- ·37	40136651	28	30	70001885	32	38·39
40069022	30	15	70001413	2	17	70001886	32	38·39
40069023	30	16	70001413	8	52	70001888	2	42
40069703	22	59	70001414	4	53	70001890	2	13
40070110	14	11	70001414	6	38	70001948	30	9·10·34·35
40070224	34	25	70001457	2	19	70001949	30	9·10·34·35
40070226	34	30	70001457	8	54	70001950	30	9·10·34·35
40070227	34	31	70001479	20	32	70001951	30	20~22
40070229	34	39	70001484	8	62	70001952	30	17~19
40070230	34	38	70001615	10	11	70003355	4	61
40070231	34	33	70001616	10	12	70003355	6	24
40073360	28	14	70001617	10	13	70003432	4	62
40082974	34	17~20	70001618	10	40	70003433	4	63
40082975	34	21~24	70001620	10	14	70003434	24	1
40086275	14	9	70001621	10	44	70003435	24	2
40086277	14	27	70001642	2	24	70003436	24	3
40086279	14	29	70001642	8	59	70003437	24	4
40086280	14	23	70001643	2	25	70003438	24	5
40086282	14	22	70001643	8	60	70003439	24	6
40086286	14	20	70001646	4	52	70003440	24	7
			70001648	2	36	70003441	24	8

NUMERICAL INDEX OF PARTS

PART NO	PAGE	REF NO.	PART NO	PAGE	REF NO.	PART NO	PAGE	REF NO.
70003442	24	9	70004268	34	15·16	NM6040001SP	14	14
70003443	24	10	70004279	32	40	NM6050001SC	16	23
70003444	24	11	B3132552000	10	19	NM6050001SP	14	8
70003446	28	20	BT0180101EB	26	19	NM6160511SE	10	38
70003447	24	12	BT0180102EB	26	20	PA040040100	24	19
70003448	24	13	BT0180103EB	26	21	PA0600504A0	10	32
70003449	10	36	BT0400251EB	26	4	PA060060100	24	18
70003451	4	64	BT0400252EB	26	5	PA1002009B0	20	39
70003452	4	65	BT0400253EB	26	6	PA2001802A0	20	10
70003453	24	16	BT0400254EB	26	7	PA2503004A0	22	62
70003455	24	17	BT0400255EB	26	8	PC010508000	20	42
70003456	4	67	BT0400256EB	26	9	PF0552070C0	28	2
70003457	4	68	BT0400257EB	26	10	PH0300252C0	2	7
70003457	6	18	BT0400258EB	26	11	PH0300252C0	6	7
70004052	16	27	BT0400259EB	26	12	PJ025100002	20	6
70004067	10	20	BT0400261EB	26	13	PJ025100002	28	22
70004068	10	24	BT0400262EB	26	14	PJ032526001	28	9
70004069	12	53	BT0400263EB	26	15	PJ046039003	24	21
70004070	10	15	BT0400264EB	26	16	PJ301065201	28	4
70004071	10	16	BT0400265EB	26	17	PJ304020301	24	20
70004072	10	17	BT0400266EB	26	18	PJ304040504	10	37
70004073	10	18	BT0600401EB	26	3	PJ304045102	22	65
70004074	10	1	BT0600402EA	4	73	PJ304065101	20	5
70004075	20	2	CM300200001	4	58	PJ304065101	28	23
70004075	28	21	CM300200001	6	14	PS0150042K0	16	20
70004076	10	27	CS1000881TP	16	11	PS0150065KP	34	40
70004077	10	28	EA9500B0100	22	49	PS0150082KH	30	31
70004078	10	29	EA9500B0100	28	8	PS0150082KH	32	30
70004079	10	31	F1021003000	28	3	PV035161000	20	3
70004080	30	14	HX00150000B	22	54	PV035161000	28	25
70004081	32	16	HX00150000C	22	47	PV150103200	20	7
70004082	14	1	HX00150000C	28	12	PV150103200	28	26
70004083	14	15	HX003140000	22	56~58	PX055104000	20	4
70004084	14	28	HX00314000A	28	11	PX055104000	28	24
70004150	30	13	HX00314000D	4	77	PX500005000	20	40
70004151	32	15	HX00314000D	8	67	PX500006000	20	41
70004247	4	66	HX00314000D	22	56~58	PX500014000	26	38
70004248	4	45	MUY128S1000	30	6	PX500014000	28	28
70004255	8	57	MUY128S1000	32	6	RE0300000K0	10	43
70004256	6	3	MUY128S1000	34	41	RO036080200	10	26
70004258	6	1	NM6030001SD	34	37	RO037180100	2	9
70004262	8	65	NM6040000SN	2	76	RO037180100	6	9
70004264	6	26	NM6040000SN	4	76	RO118240100	16	29
70004265	6	33	NM6040000SN	8	58	SB32600020A	16	3~7
70004267	34	15·16	NM6040001SC	8	49	SB32600020B	16	3~7

NUMERICAL INDEX OF PARTS

PART NO	PAGE	REF NO.	PART NO	PAGE	REF NO.	PART NO	PAGE	REF NO.
SB32600020C	16	3~7	SM4042055SP	6	11	SM6850400SP	34	34
SB32600020D	16	3~7	SM4043555SP	20	9	SM6851452TN	24	31
SB32600020E	16	3~7	SM4043555SP	28	27	SM6852002TN	24	14
SD0350156TP	24	26	SM4051455SP	2	59	SM8030312TP	30	8
SD0470316TP	10	25	SM4051455SP	4	59	SM8030312TP	32	8
SD0500205TH	24	25	SM4051455SP	6	56	SM8030312TP	34	42
SD0600277TP	24	27	SM4051455SP	8	56	SM8030402TP	30	27·28
SD0700706TP	20	34	SM5040655SN	4	71	SM8030412TP	12	49
SK3452001SE	28	29	SM5040655SN	24	22	SM8030412TP	30	27·28
SL4051091SC	28	10	SM6020350SP	14	26	SM8030412TP	32	27
SL6042092TN	2	21	SM6030350SN	24	23	SM8030412TP	34	28
SL6042092TN	8	55	SM6030650TP	24	28	SM8031002TP	34	36
SL6051492TN	28	19	SM6030800SP	6	45	SM8040360TP	2	41
SM1020450TP	14	24	SM6031602TN	24	30	SM8040360TP	6	36
SM1040650TP	4	69	SM6040450TP	2	47	SM8040360TP	12	52
SM1040650TP	8	66	SM6040450TP	4	47	SM8040412TP	2	37
SM1040800SP	2	39	SM6040602TN	4	72	SM8040412TP	6	32
SM1040800SP	6	34	SM6040602TN	6	19	SM8040412TP	16	48
SM1040860SP	2	16	SM6040650TP	14	37	SM8040412TP	18	48
SM1040860SP	6	23	SM6040750TP	4	70	SM8041012TP	4	75
SM1850600SP	30	25	SM6040750TP	8	64	SM8041012TP	8	63
SM1850600SP	32	25	SM6040800SP	2	4	SM8050412TP	16	12
SM1850600SP	34	32	SM6040800SP	6	21	SM8050612TP	16	2
SM4020301SC	24	33	SM6040800SP	20	44	SM8050642TP	16	13
SM4030455SP	16	32	SM6040800SP	30	26	SM8050812TP	16	28
SM4031001SN	20	31	SM6040800SP	32	26	TA0400301M0	16	10
SM4040501SN	22	53	SM6040800SP	34	26	TA0600401R0	16	34
SM4040655SP	2	60	SM6040802TP	20	21	TA0980502R0	14	35
SM4040655SP	4	60	SM6041000SP	16	41	WP0280500SC	34	35
SM4040655SP	6	51	SM6041002TP	18	47	WP0320500SC	16	31
SM4040655SP	8	51	SM6041202TP	20	33	WP0320500SC	24	29
SM4040655SP	10	45	SM6050800SP	2	31	WP0320501SE	24	24
SM4040655SP	20	55	SM6050800SP	6	42	WP0420516KH	14	10
SM4040655SP	22	55	SM6050802TP	22	60	WP0430800SC	20	20
SM4040655SP	28	13	SM6051000SP	2	38	WP0430801SC	4	50
SM4040855SP	2	49	SM6051002TP	20	14	WP0430801SC	6	41
SM4040855SP	4	49	SM6051200TP	20	43	WP0431005SP	14	13
SM4040855SP	6	61	SM6061002TP	20	30	WP0450801SC	8	47
SM4040855SP	8	61	SM6061202TP	20	16	WP0450826SC	20	45
SM4040855SP	10	39	SM6061400SP	20	8	WP0621016SD	22	66
SM4041055SP	2	32	SM6061402TP	16	17	WS0260002KN	24	32
SM4041055SP	6	48	SM6850400SP	2	43	WS0510002KP	4	54
SM4041055SP	8	48	SM6850400SP	24	15	WS0510002KP	6	39
SM4041655SP	10	42	SM6850400SP	30	40	WS0610002KP	20	36
SM4042055SP	2	11	SM6850400SP	32	37	WT0430002KN	22	52