

MODEL : PLC-2710/PLC-2710-7/PLC-2760/PLC-2760-7/PLC-2765  
List No : 1629-06

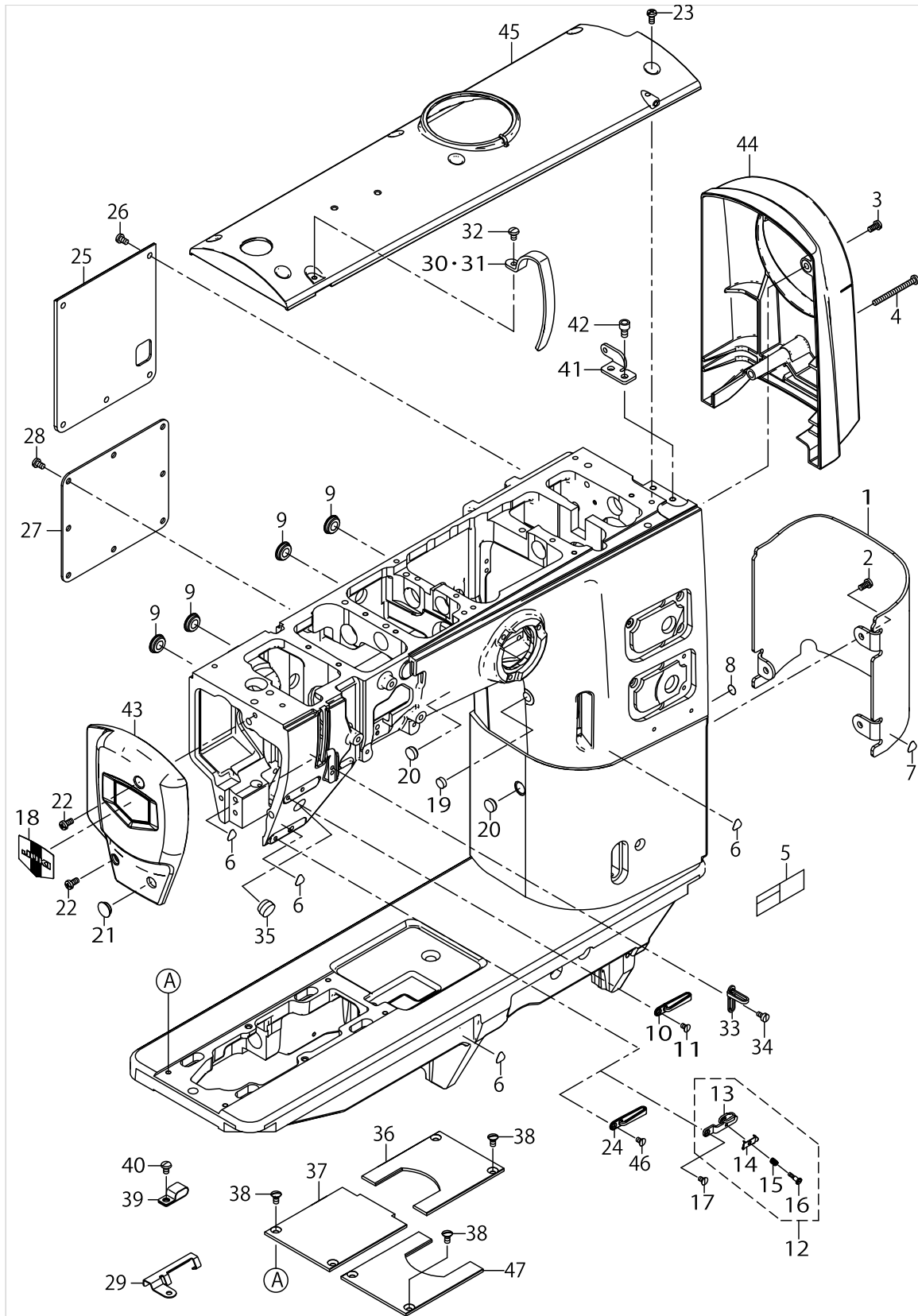
# PARTS LIST

Published:05/12/2017

## CONTENTS

FRAME & MISCELLANEOUS COVER COMPONENTS .....	1
MAIN SHAFT & THREAD TAKE-UP LEVER COMPONENTS .....	5
NEEDLE BAR COMPONENTS .....	9
NEEDLE BAR COMPONENTS (FOR PLC-2765).....	11
LOWER SHAFT COMPONENTS.....	13
OPENNER COMPONENTS .....	19
HOOK COMPONENTS.....	23
UPPER FEED COMPONENTS.....	27
HAND LIFTER & AUTO LIFTER COMPONENTS.....	31
KNEE LIFTER COMPONENTS (FOR PLC-2710,2760,2760L,2765) .....	39
LOWER FEED COMPONENTS.....	41
FEED ADJUST COMPONENTS.....	47
DL COMPONENTS(FOR PLC-2710-7,2760-7,2710(WITH AK,BT,DL),2760(WITH AK,BT,DL),2760L (WITH AK,BT,DL),2765(WITH AK,BT,DL))	53
AUTO BT COMPONENTS(FOR PLC-2710-7,2760-7,2710(WITH AK,BT,DL),2760(WITH AK,BT, DL),2760L(WITH AK,BT,DL),2765(WITH AK,BT,DL))	55
6-RANGE SW COMPONENTS(FOR PLC-2710-7,2760-7,2710(WITH AK,BT,DL),2760(WITH AK,BT, DL),2760L(WITH AK,BT,DL),2765(WITH AK,BT,DL))	57
SPEED ADJUST COMPONENTS(FOR PLC-2710-7,2760-7).....	59
THREAD CUTTING COMPONENTS(FOR PLC-2710-7,2760-7) .....	61
CONDENSE COMPONENTS(FOR PLC-2710-7,2760-7) .....	67
THREAD TENSION COMPONENTS(FOR PLC-2710,2710-7) .....	69
THREAD TENSION COMPONENTS(FOR PLC-2760,2760-7,2760L).....	71
NEEDLE STOP CHANGE LEVER & THREAD TENSION COMPONENTS(FOR PLC-2765).....	75
TENSION RELEASE COMPONENTS(FOR PLC-2710-7,2760-7) .....	79
PNEUMATIC COMPONENTS(FOR PLC-2710-7,2760-7).....	81
BOBBIN WINDER COMPONENTS.....	83
LUBRICATION COMPONENTS .....	85
THREAD STAND COMPONENTS(FOR PLC-2710,2710-7).....	93
THREAD STAND COMPONENTS(FOR PLC-2760,2760-7,2760L,2765) .....	95
ACCESSORIES PARTS COMPONENTS (1).....	97
ACCESSORIES PARTS COMPONENTS (2).....	99
TABLE OF EXCHANGING GAUGE PARTS(FOR PLC-2710,2710-7).....	107
TABLE OF EXCHANGING GAUGE PARTS(1)(FOR PLC-2760,2760-7,2760L,2765) .....	109
TABLE OF EXCHANGING GAUGE PARTS(2)(FOR PLC-2760,2760-7,2760L,2765) .....	113
SC-922A KIT COMPONENTS (OPTIONAL PARTS).....	115
SUSPENSION SQUARE COMPONENTS (OPTIONAL PARTS) .....	117
AK KIT COMPONENTS (OPTIONAL PARTS)(FOR PLC-2710,2760,2760L,2765).....	119
BT,DL KIT COMPONENTS (OPTIONAL PARTS)(FOR PLC-2710(WITH AK),2760(WITH AK),2760L (WITH AK))	121
BT,DL KIT COMPONENTS (OPTIONAL PARTS)(FOR PLC-2765(WITH AK)) .....	125
AK,BT,DL KIT COMPONENTS (OPTIONAL PARTS)(FOR PLC-2710,2760,2760L) .....	129
AK,BT,DL KIT COMPONENTS (OPTIONAL PARTS)(FOR PLC-2765).....	133
OPTIONAL PARTS .....	137
LIST FOR INFOMATION OF CHANGE (1).....	139
LIST FOR INFOMATION OF CHANGE (2).....	140
HOW TO MAKE USE OF THIS PARTS LIST .....	141

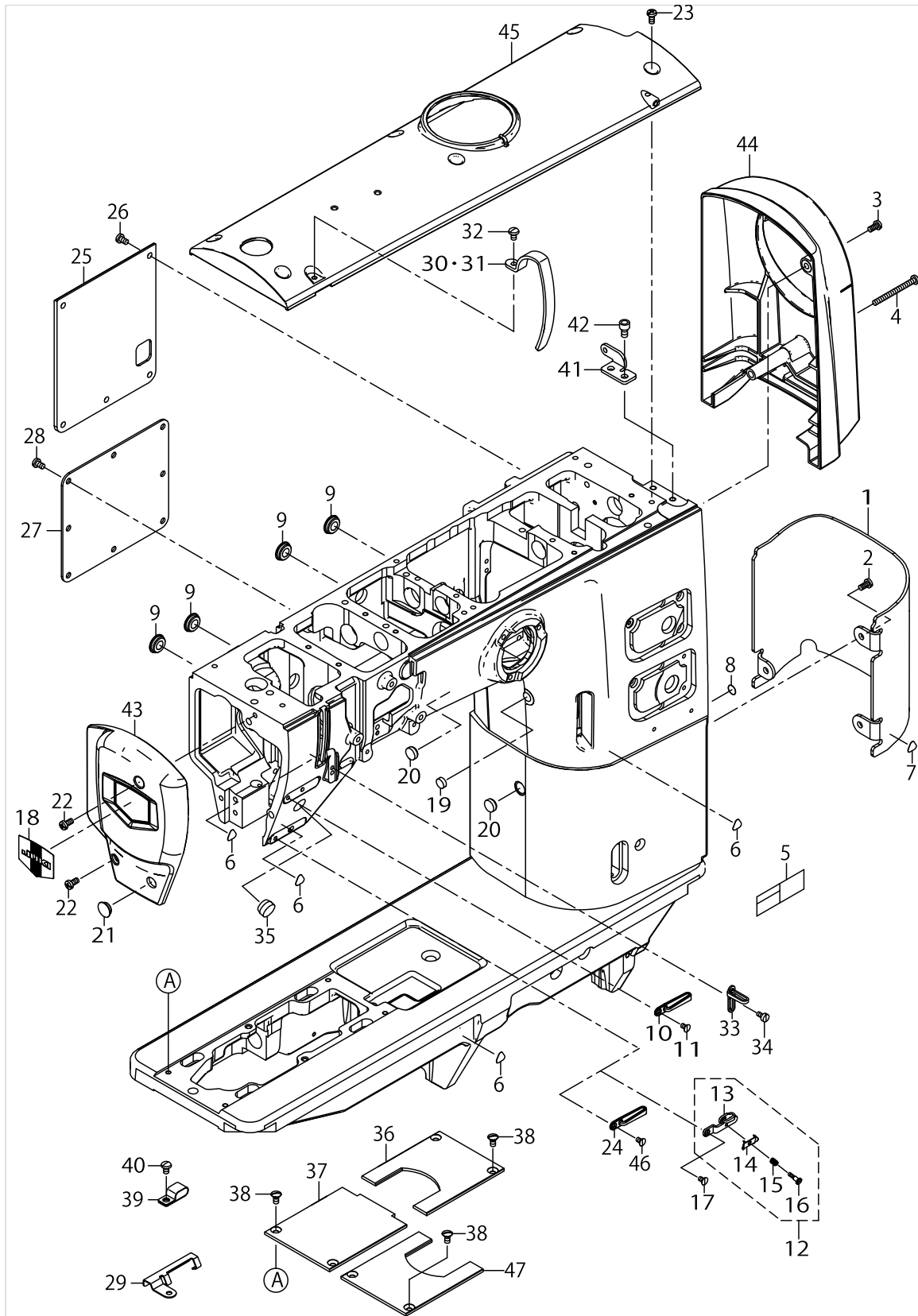
FRAME & MISCELLANEOUS COVER COMPONENTS



FRAME & MISCELLANEOUS COVER COMPONENTS

No.	Supply Code	Parts No.	Replacement	Parts name	Remarks	Choice	Step	Level	Cons	Qty	Rep. QTY
1		40129977		POST_COVER	FOR PLC-- 2710-7,2760-7					1	
2		SM4051055SP		SCREW	FOR PLC-- 2710-7,2760-7					3	
3		SM4051055SP		SCREW	FOR PLC-- 2710-7,2760-7					2	
4		SM4055501SC		SCREW M5X0.8 L=55	FOR PLC-- 2710-7,2760-7					1	
5		40102261		SAFETY_LABEL_S						1	
6		CM300200001		ATTENTION SEAL						4	
7		CM300200001		ATTENTION SEAL	FOR PLC-- 2710-7,2760-7					1	
8		22901805		GROUND MARK						1	
9		TA1650406R0		PRUG						4	
10		40084142		THREAD_GUIDE_LOWER					☆	1	
11		SM1040750TP		SCREW M4 L=7						1	
12		40034675		THREAD_GUIDE_ASM_E	FOR PLC-- 2710-7,2760-7,2765				☆	1	
13		40034674		THREAD_GUIDE				*		1	
14		40042716		THREAD_PRESSER_PLATE				*		1	
15		B1132521000		THREAD PRESSER PLATE SPRING				*		1	
16		SD0380556TL		SHOULDER SCREW D=3.8 H=5.5				*		1	
17		SM1040750TP		SCREW M4 L=7	FOR PLC-- 2710-7,2760-7					1	
18		22902506		FACE PLATE						1	
19		TA1030402R0		RUBBER PLUG D=10.3 L=4						1	
20		TA1270502R0		RUBBER PLUG						2	
21		TA1250406R0		RUBBER PLUG D=12.5 L=4						1	
22		SM4051055SP		SCREW						2	
23		SM4051055SP		SCREW						6	
24		40084142		THREAD_GUIDE_LOWER	FOR PLC-- 2710,2760,2760L				☆	1	
25		40129995		APERTURE_COVER						1	
26		SM4050855SP		SCREW						5	
27		40129975		APERTURE_PLATE						1	
28		SM4050855SP		SCREW						8	
29		40134805		CABLE HOLDER	FOR PLC-- 2710-7,2760-7					1	
30		40134834		THREAD_TAKE_UP_LEVER COVER	FOR PLC-2760L					1	
31		23600505		THREAD TAKE-UP LEVER COVER						1	
32		SM4051055SP		SCREW						1	
33		40126221		THREAD_GUIDE					☆	1	
34		SM6040870SP		SCREW						1	
35		TA1550902R0		PLUG						1	
36		40129982		BED_COVER_A						1	
37		40129983		BED_COVER_B	FOR PLC-- 2710,2710-7					1	
38		SM2051000SC		SCREW						4	
39		D2112555B00		CORD HOLDER LARGE	FOR PLC-- 2710-7,2760-7					3	
40		SM4050855SP		SCREW	FOR PLC-- 2710-7,2760-7					2	
41		40112277		PLATE	FOR PLC-- 2710,2760,- 2765,2760L					1	

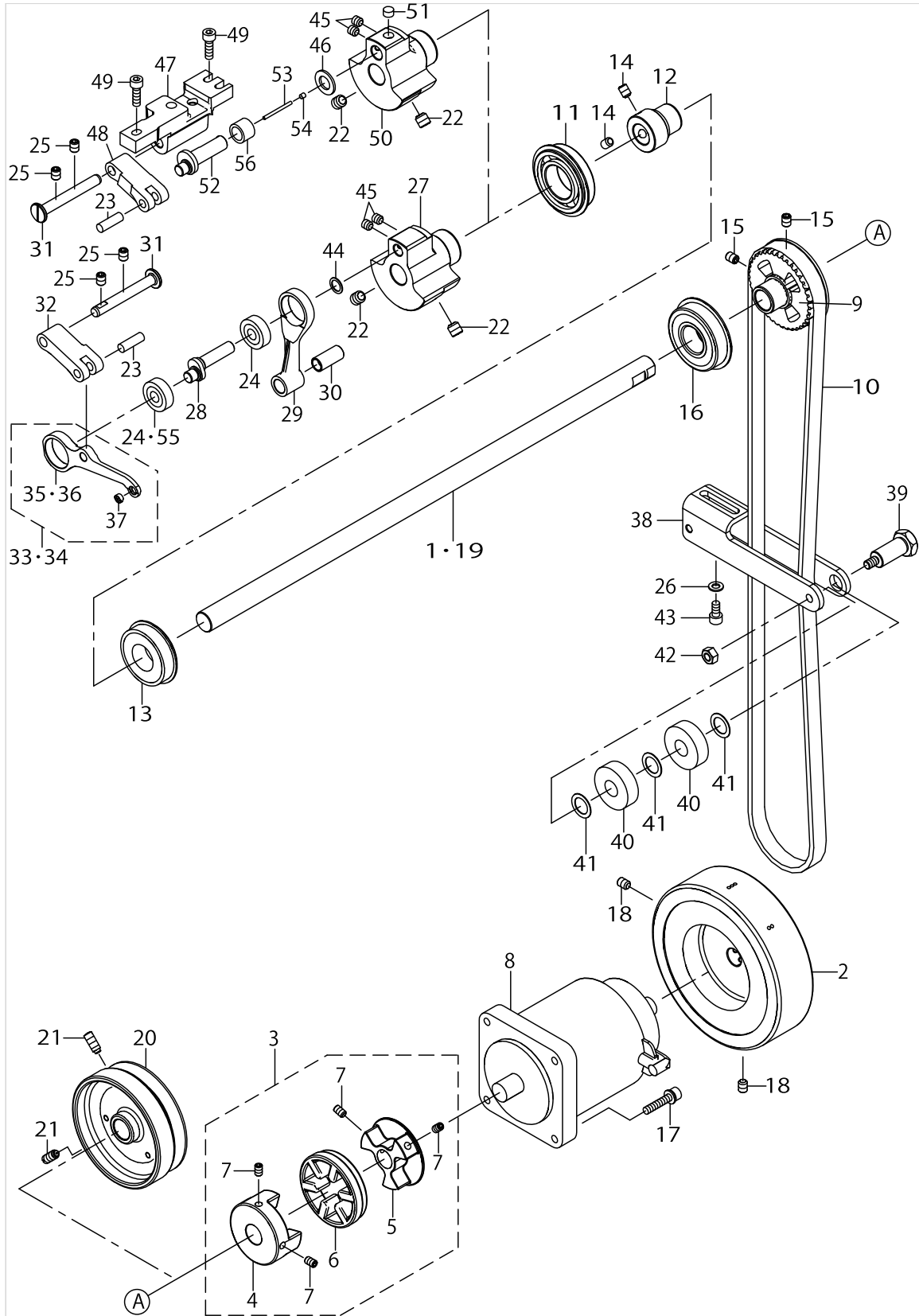
FRAME & MISCELLANEOUS COVER COMPONENTS



FRAME & MISCELLANEOUS COVER COMPONENTS

No.	Supply Code	Parts No.	Replacement	Parts name	Remarks	Choice	Step	Level	Cons	Qty	Rep. QTY
42		SM6061002TP		SCREW M6 L=10	FOR PLC-- 2710,2760,- 2765,2760L					2	
43		40130704		FACE_PLATE						1	
44		40130705		MOTOR_COVER	FOR PLC-- 2710-7,2760-7					1	
45		40130706		TOP_COVER						1	
46		SM1040750TP		SCREW M4 L=7	FOR PLC-- 2710,2760,- 2765,2760L					1	
47		40129982		BED_COVER_A	FOR PLC-- 2760,2760-- 7,2760L, 2765					1	

MAIN SHAFT & THREAD TAKE-UP LEVER COMPONENTS

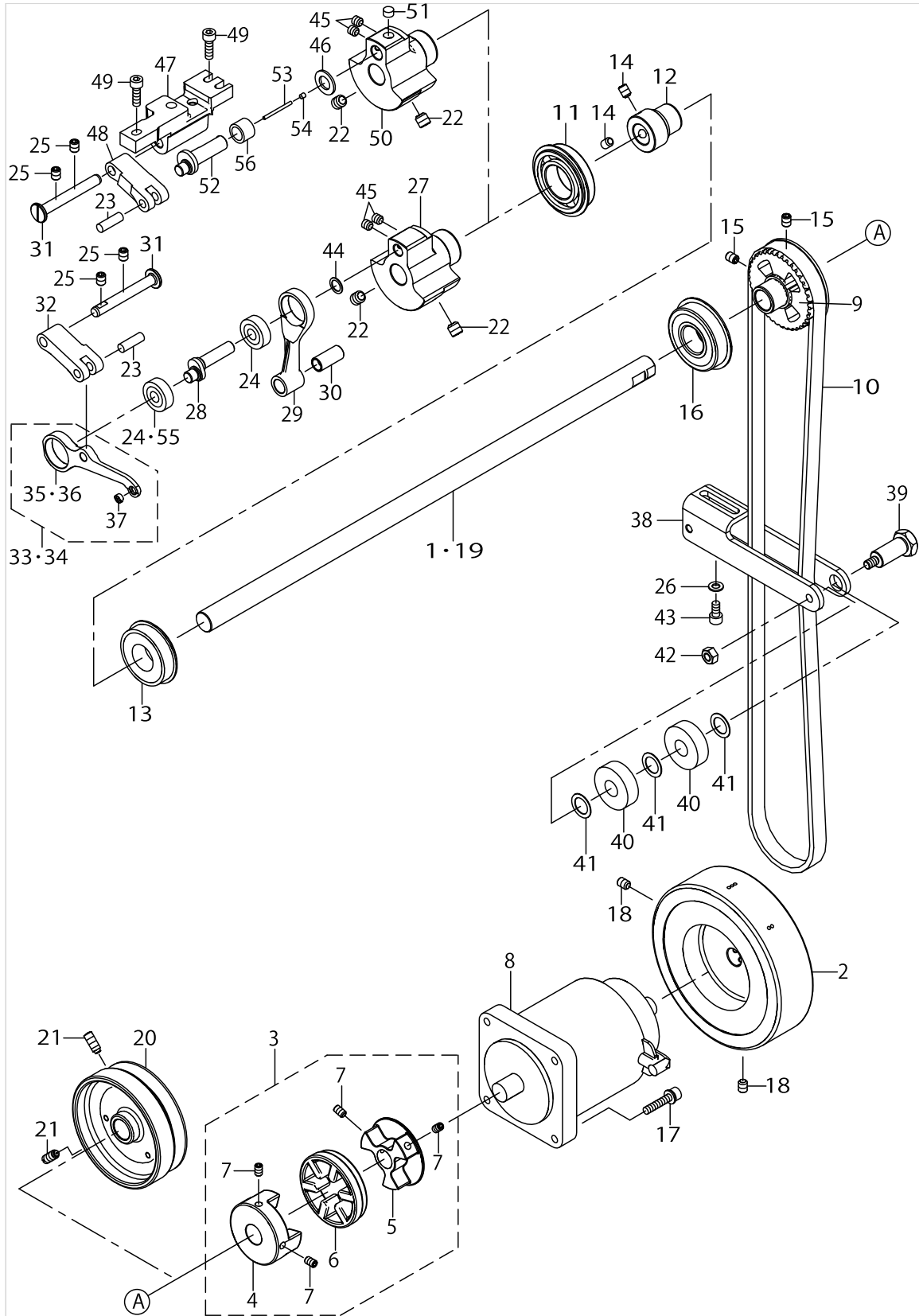


MAIN SHAFT & THREAD TAKE-UP LEVER COMPONENTS

No.	Supply Code	Parts No.	Replacement	Parts name	Remarks	Choice	Step	Level	Cons	Qty	Rep. QTY
1		40112087		MAIN_SHAFT_DD	FOR PLC-- 2710-7,2760-7					1	
2		40130702		HAND_WHEEL	FOR PLC-- 2710-7,2760-7					1	
3		40112312		COUPLING_ASSY	FOR PLC-- 2710-7,2760-7					1	
4	R	40130277	40112312	HUB_L	FOR PLC-- 2710-7,2760-7			*		1	1.00
5		40112106		HUB_R	FOR PLC-- 2710-7,2760-7			*		1	
6	R	40125950	40112312	SPIDER	FOR PLC-- 2710-7,2760-7			*		1	1.00
7		SM8050812TP		SCREW M5X8	FOR PLC-- 2710-7,2760-7			*		4	
8		40126244		AC SERVO MOTOR	FOR PLC-- 2710-7,2760-7					1	
9		40126321		SPROCKET_UPPER						1	
10		40130020		TIMING_BELT					☆	1	
11		B1203512000		BUSHING						1	
12		23605207		MAIN SHAFT BEARING SUPPORT						1	
13		SB120001800		BEARING						1	
14		SM80608A2TP		SCREW M6 L=8						2	
15		SM8060812TP		SCREW M6 L=8						2	
16		SB120002700		BEARING						1	
17		SL6052592TN		BOLT	FOR PLC-- 2710-7,2760-7					4	
18		SM8060812TP		SCREW M6 L=8	FOR PLC-- 2710-7,2760-7					2	
19		40112088		MAIN_SHAFT	FOR PLC-- 2710,2760,- 2765,2760L					1	
20		40112299		HAND_WHEEL_A	FOR PLC-- 2710,2760,- 2765,2760L					1	
21		SS8151550SP		SCREW15/64-28L=15	FOR PLC-- 2710,2760,- 2765,2760L					2	
22		SM8080812TP		SCREW M8X8						2	
23		10721504		FEED ADJUSTING PIN						1	
24		SB108001900		BEARING	FOR PLC-- 2710,2710-- 7,2760, 276- 0-7,2760L					2	
25		SM8060812TP		SCREW M6 L=8						2	
26		WP0531000SD		WASHER M5						2	
27		40112091		COUNTER_WEIGHT						1	
28		40112092		NEEDLE_BAR_CRANK						1	
29		40112093		NEEDLE_BAR_CRANK_ROD	FOR PLC-- 2710,2710-- 7,2760, 276- 0-7,2760L					1	
30		40112094		CRANK_ROD_BUSH						1	
31		40011902		THREAD_TAKE_UP_CRANK_SHAFT						1	
32		40125930		TAKE_UP_LEVER_CRANK						1	
33		40127049		THREAD_TAKE_UP_ASM.	FOR PLC-- 2710,2710-- 7,2760, 2760-7,2765					1	
34		40134545		THREAD_TAKE_UP_ASM.	FOR PLC-2760L					1	
35		40125939		THREAD_TAKE_UP				*		1	
36		40134532		THREAD_TAKE_UP	FOR PLC-2760L			*		1	



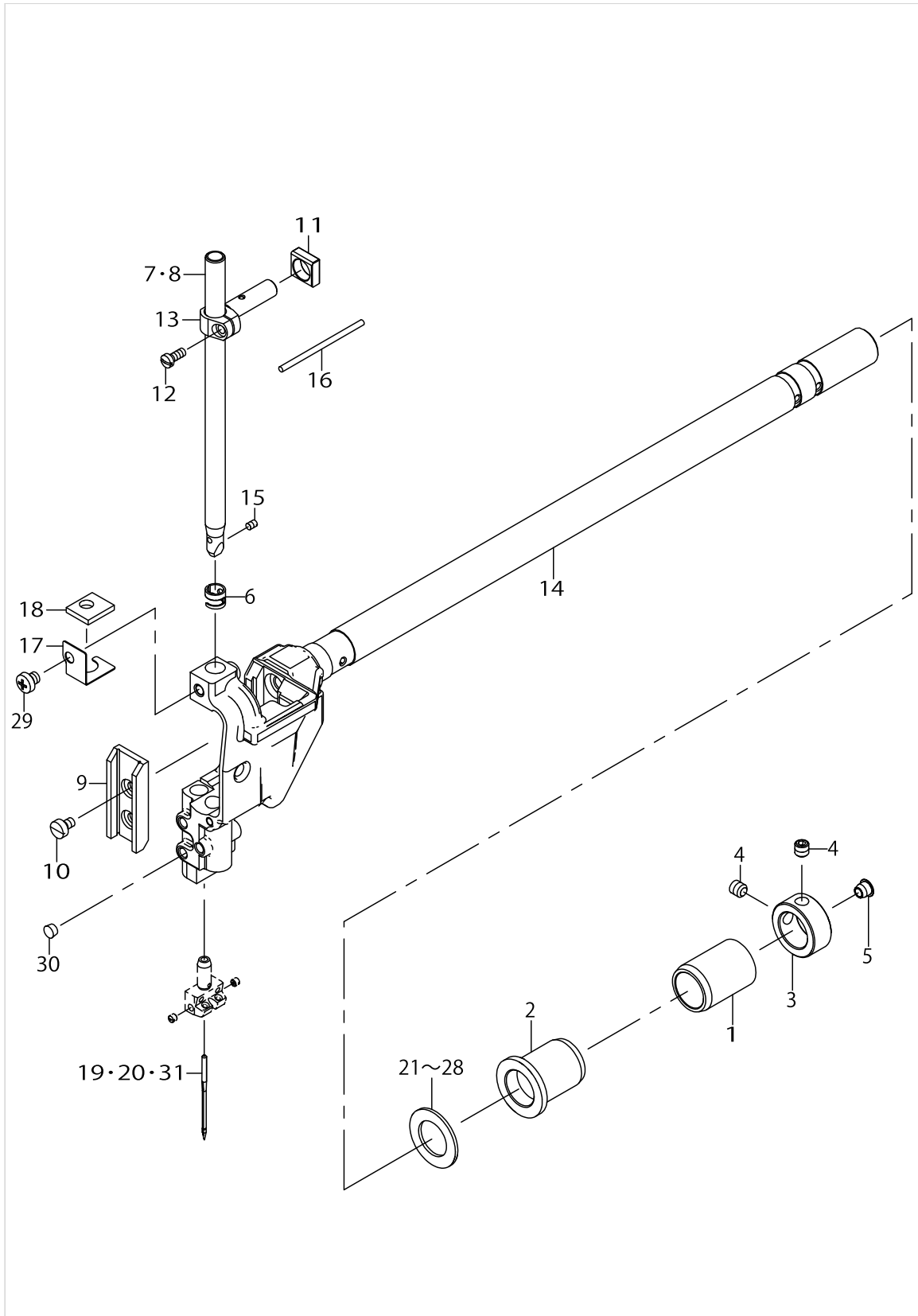
MAIN SHAFT & THREAD TAKE-UP LEVER COMPONENTS



MAIN SHAFT & THREAD TAKE-UP LEVER COMPONENTS

No.	Supply Code	Parts No.	Replacement	Parts name	Remarks	Choice	Step	Level	Cons	Qty	Rep. QTY
37		10546901		BUSH				*		1	
38		40130021		IDOLER_PLATE						1	
39		40130022		IDOLER_SHAFT						1	
40		B1803019000		BALL BEARING INTERMEDIATE						2	
41		E3026721000		SLIDER						3	
42		NM6060001CP		NUT M6						1	
43		SM6051002TP		SCREW M5X0.8 L=10						2	
44		WP0820516SP		WASHER 11.6X8.2X0.6						1	
45		SM8060612TP		SCREW M6 L=6						2	
46		40026818		WASHER	FOR PLC-2765					1	
47		40131642		TAKE_UP_LEVER_CRANK_SHAFT_BASE	FOR PLC-2765					1	
48		40131643		TAKE_UP_LEVER_CRANK	FOR PLC-2765					1	
49		SM6051602TP		SCREW M5X0.8 L=16	FOR PLC-2765					3	
50		40131645		COUNTER_WEIGHT	FOR PLC-2765					1	
51		40138482		FELT	FOR PLC-2765					1	
52		40131646		NEEDLE_BAR_CRANK	FOR PLC-2765					1	
53		CQ202000000		OIL WICK	FOR PLC-2765					.027	
54		TA0290301M0		PLUG	FOR PLC-2765					1	
55		SB108001900		BALL BEARING	FOR PLC-2765					1	
56		SB310000300		BALL BEARING	FOR PLC-2765					1	

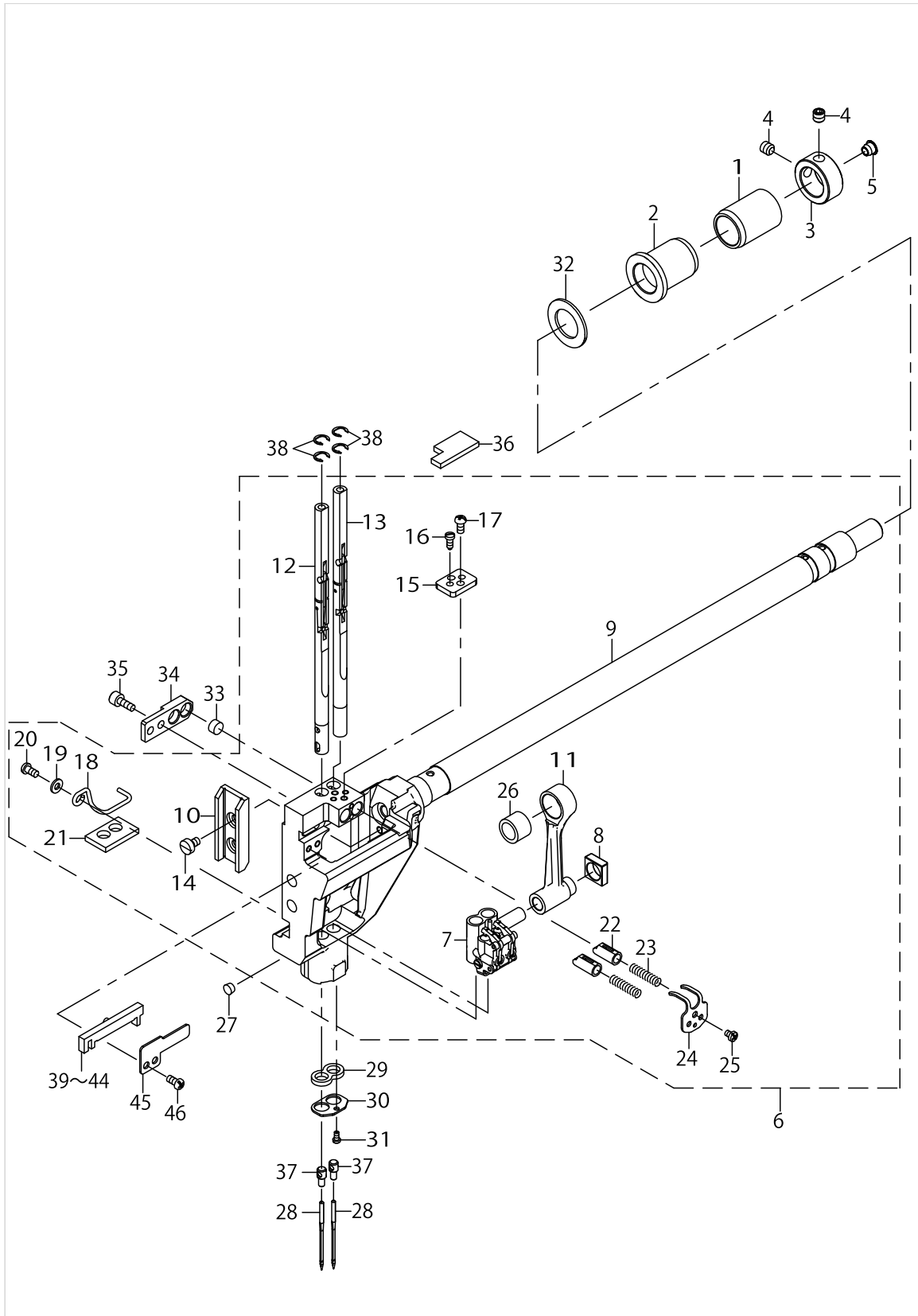
# NEEDLE BAR COMPONENTS



NEEDLE BAR COMPONENTS

No.	Supply Code	Parts No.	Replacement	Parts name	Remarks	Choice	Step	Level	Cons	Qty	Rep. QTY
1		40010709		NF SHAFT BUSH R						1	
2		40023568		BUSHING						1	
3		CS1701181TP		THRUST COLLAR D=17 W=11						1	
4		SM8060612TP		SCREW M6 L=6						2	
5		TA0620504R0		CAP						1	
6		B1418141H00		NEEDLE BAR THREAD GUIDE	FOR PLC-- 2710,2710-7				☆	1	
7		B1401246000		NEEDLE BAR	FOR PLC-- 2710,2710-7					1	
8		21451406		NEEDLE BAR	FOR PLC-- 2760,2760-7,2760L					1	
9		40127041		NEEDLE_BAR_GUIDE						1	
10		SM6040650TP		SCREW						2	
11		40112152		NEEDLE_ROD_SQUARE_BLOCK						1	
12		SS7090910TP		SCREW 9/64-40 L=8.5						1	
13		40112273		NEEDLE BAR CONNECTION						1	
14	R	40136296	40126402	N_B_ROCKING_BASE_ASM.		A				1	1.00
14	R	40136296	40127054	N_B_ROCKING_BASE_ASM.		B				1	1.00
15		SS8080410TP		SCREW 1/8-44 L=3.5	FOR PLC-- 2710,2710-7				☆	1	
16		CQ252000000		OIL WICK						.05	
17		40112270		FELT HOLDER						1	
18		40112272		NEEDLE_BAR_FELT_E						1	
19		M13517B1400		NEEDLE 135X17 #140	FOR PLC-- 2710,2710-7				☆	1	
20		M13517B1400		NEEDLE 135X17 #140	FOR PLC-- 2760,2760-7				☆	2	
21		B1438512B00		WASHER 17.1X28X1.5	SELECTIVE PARTS					1	
22		22606206		SPACER Y	SELECTIVE PARTS					1	
23		22606305		SPACER Z	SELECTIVE PARTS					1	
24		22607600		SPACER A	SELECTIVE PARTS					1	
25		22607709		SPACER B	SELECTIVE PARTS					1	
26		22607808		SPACER D	SELECTIVE PARTS					1	
27		22607907		SPACER E	SELECTIVE PARTS					1	
28		22606404		SPACER F	SELECTIVE PARTS					1	
29		SM4050501SC		SCREW M5X0.8 L=5						1	
30		TA0500301R0		PLUG 5X5.8 L=3						4	
31		M13517B2000		NEEDLE 135X17 #200	FOR PLC-2760L					2	

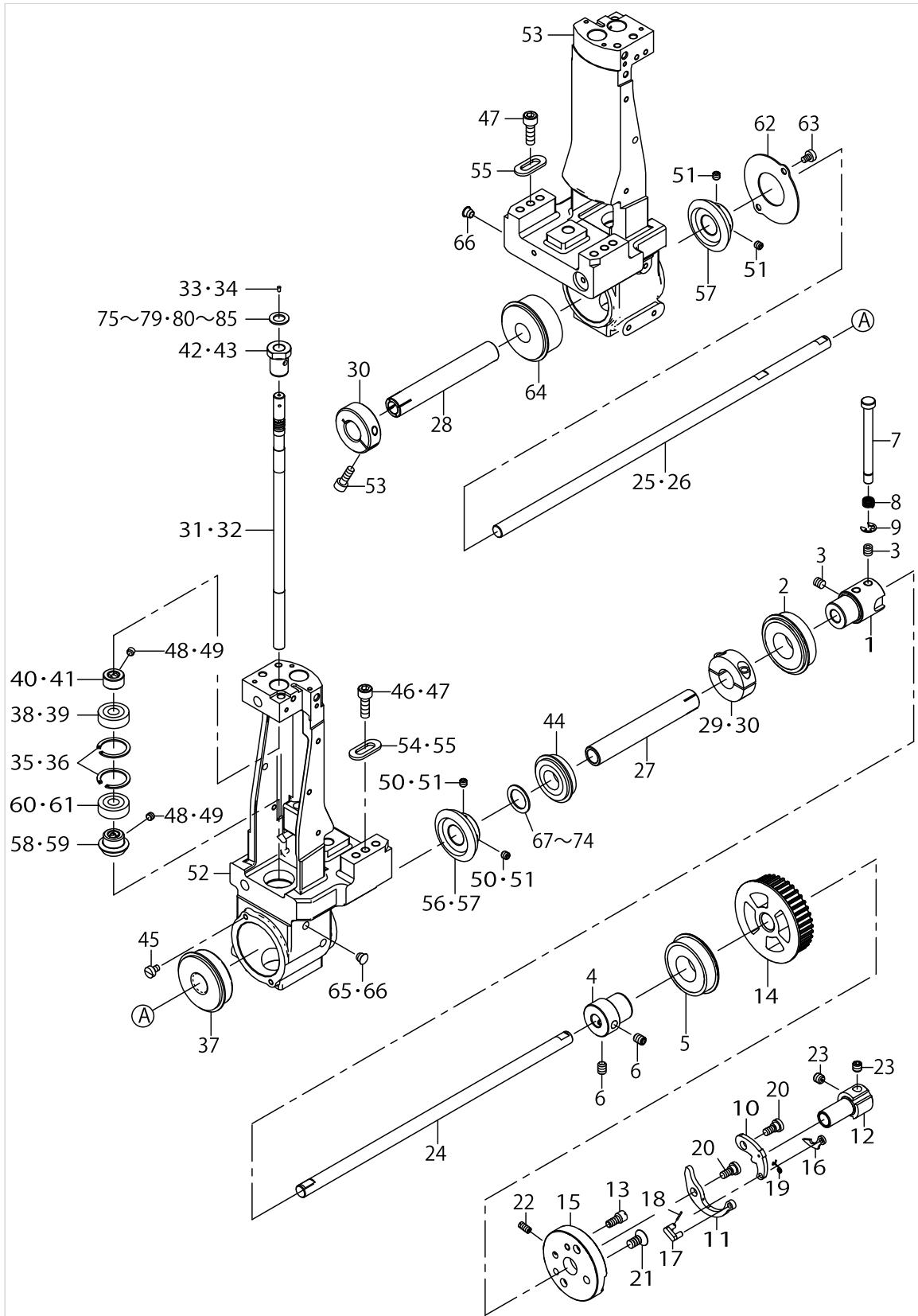
NEEDLE BAR COMPONENTS (FOR PLC-2765)



NEEDLE BAR COMPONENTS (FOR PLC-2765)

No.	Supply Code	Parts No.	Replacement	Parts name	Remarks	Choice	Step	Level	Cons	Qty	Rep. QTY
1		40010709		NF SHAFT BUSH R						1	
2		40023568		BUSHING						1	
3		CS1701181TP		THRUST COLLAR D=17 W=11						1	
4		SM8060612TP		SCREW M6 L=6						2	
5		TA0620504R0		CAP						1	
6		40141331		N_B_ROCKING_BASE_ASM.2865						1	
7		40032147		NEEDLE_BAR_CONNECTION_ASM.				*		1	
8		40112152		NEEDLE_ROD_SQUARE_BLOCK				*		1	
9		40138640		NEEDLE_BAR_ROCKING_BASE_ASM.				*		1	
10		40127041		NEEDLE_BAR_GUIDE				*		1	
11		40131644		NEEDLE_BAR_CRANK_ROD				*		1	
12		40131649		NEEDLE_BAR_ASM._LEFT				*		1	
13	R	40131651	40141331	NEEDLE_BAR_ASM._RIGHT				*		1	1.00
14		SM6040650TP		SCREW				*		2	
15		22682702		NEEDLE BAR SWIVEL STOPPER				*		1	
16		22681712		STOPPER SCREW				*		2	
17		SS4090715SP		SCREW 9/64-40 L=7				*		2	
18		40131654		FELT_GUIDE				*		1	
19		WP0371016SD		WASHER 3.7X8X1				*		1	
20		SS4090715SP		SCREW 9/64-40 L=7				*		1	
21		40131655		OIL_GUARD_FELT				*		1	
22		22681407		NEEDLE BAR STOPPER				*		2	
23		22681506		SPRING				*		2	
24		40095222		STOPPER_SPRING_COVER				*		1	
25		SM4030455SP		SCREW				*		1	
26		SB310000300		BALL BEARING				*		1	
27		TA0500301R0		PLUG 5X5.8 L=3						1	
28		M13517B1400		NEEDLE 135X17 #140					☆	2	
29		22686000		NEEDLE BAR OIL SEAL FELT						1	
30		40131656		NEEDLE_BAR_OIL_SEAL_PLATE						1	
31		SS6060510TP		SCREW 3/32-56 L=4.5						1	
32		22607709		SPACER B						1	
33		11002904		ROLLER FELT						2	
34		40131653		FELT_COVER						1	
35		SM6040602TP		SCREW M4X0.7 L=6						2	
36		40039629		FELT						1	
37		22682504		SPRING BEARING						2	
38		40028668		RING_A						4	
39		22681951		SLIDERBLOCKASM.A	SELECTIVE PARTS					1	
40		22682058		SLIDERBLOCKASM.B	SELECTIVE PARTS					1	
41		22682157		SLIDERBLOCKASM.C	SELECTIVE PARTS					1	
42		22682256		SLIDERBLOCKASM.D	SELECTIVE PARTS					1	
43		22682355		SLIDERBLOCKASM.E	SELECTIVE PARTS					1	
44		40117425		SLIDERBLOCKASM.F	SELECTIVE PARTS					1	
45		22681803		SLIDE BLOCK GUIDE PLATE						1	
46		SS4090715SP		SCREW 9/64-40 L=7						2	

LOWER SHAFT COMPONENTS

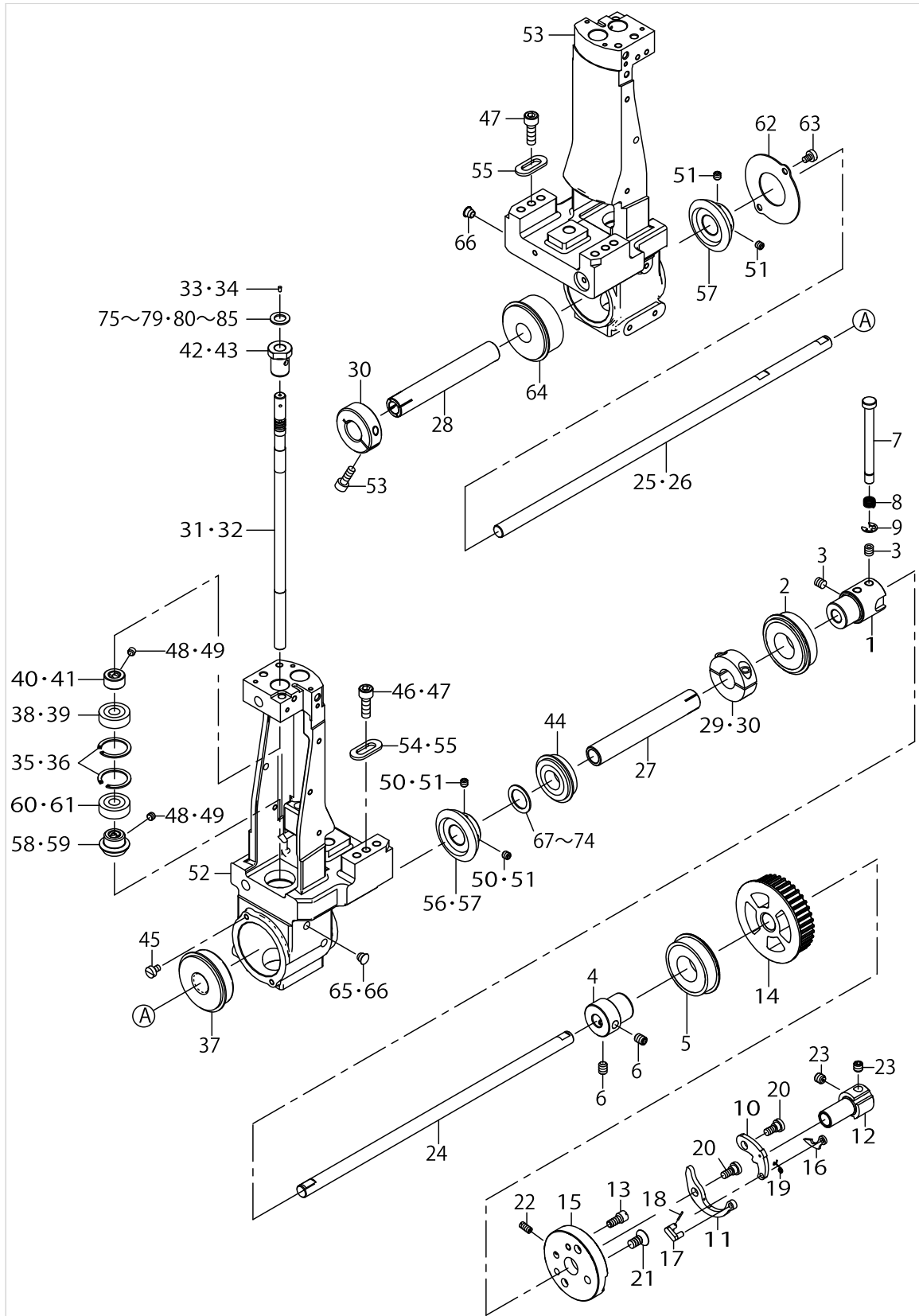


LOWER SHAFT COMPONENTS

No.	Supply Code	Parts No.	Replacement	Parts name	Remarks	Choice	Step	Level	Cons	Qty	Rep. QTY
1		40130041		CONNECTION_BUSH						1	
2		SB120001800		BEARING						1	
3		SM8060812TP		SCREW M6 L=8						4	
4		40123247		BEARING_COLLAR						1	
5		SB120001800		BEARING						1	
6		SM8060812TP		SCREW M6 L=8						2	
7		40112240		SAFETY_REVERSE_BUTTON						1	
8		B1639051000		SPRING						1	
9		RE0500000K0		E-RING						1	
10		21387600		SAFETY CLUTCH HOOK						1	
11		21387709		SAFETY CLUTCH SPRING						1	
12		21387808		SAFETY BASE						1	
13		21387907		ADJUSTING PIN (1.2)						1	
14		40125862		LOWER_SHAFT_SPROCKET						1	
15		40126366		CLUTCH_BASE						1	
16		B1308055000		SAFETY CLUTCH COUNTER-HOOK						1	
17		B1310055000		SAFETY CLUTCH SMALL LINK						1	
18		B1314055000		SAFETY CLUTCH SMALL LINK PIN						1	
19		40113224		COUNTER HOOK SPRING						1	
20		SD0640322TP		HINGE SCREW D=6.35 H=3.2						2	
21		SM1061201SN		SCREW M6 L=12						2	
22		SS8111010TP		SCREW 11/64-40 L=9.5						1	
23		SS8660612TP		SCREW 1/4-40 L=6						2	
24		40130042		LOWER_SHAFT_A						1	
25		40130043		LOWER_SHAFT_B	FOR PLC-- 2710,2710-7					1	
26		40130044		LOWER_SHAFT_C	FOR PLC-- 2760,2760-- 7,2760L, 2765					1	
27		40112253		LOWER_SHAFT_C						1	
28		40126454		LOWER_SHAFT_D	FOR PLC-- 2760,2760-- 7,2760L, 2765					1	
29		40152295		LOWER_SHAFT_SET_COLLAR	FOR PLC-- 2710,2710-7					1	
30		40152295		LOWER_SHAFT_SET_COLLAR	FOR PLC-- 2760,2760-- 7,2760L, 2765					2	
31		40130035		HOOK_SHAFT	FOR PLC-- 2710,2710-7					1	
32		40130035		HOOK_SHAFT	FOR PLC-- 2760,2760-- 7,2760L, 2765					2	
33		TA0180401M0		NEEDLE COOLER PLUG CAP	FOR PLC-- 2710,2710-7					1	
34		TA0180401M0		NEEDLE COOLER PLUG CAP	FOR PLC-- 2760,2760-- 7,2760L, 2765					2	
35		RC2351018KP		RETAINIG PIN 23.5	FOR PLC-- 2710,2710-7					2	
36		RC2351018KP		RETAINIG PIN 23.5	FOR PLC-- 2760,2760-- 7,2760L, 2765					4	
37		G1216870000		UPPER SHAFT REAR BEARING						1	
38		SB108000400		BUSHING	FOR PLC-- 2710,2710-7					1	



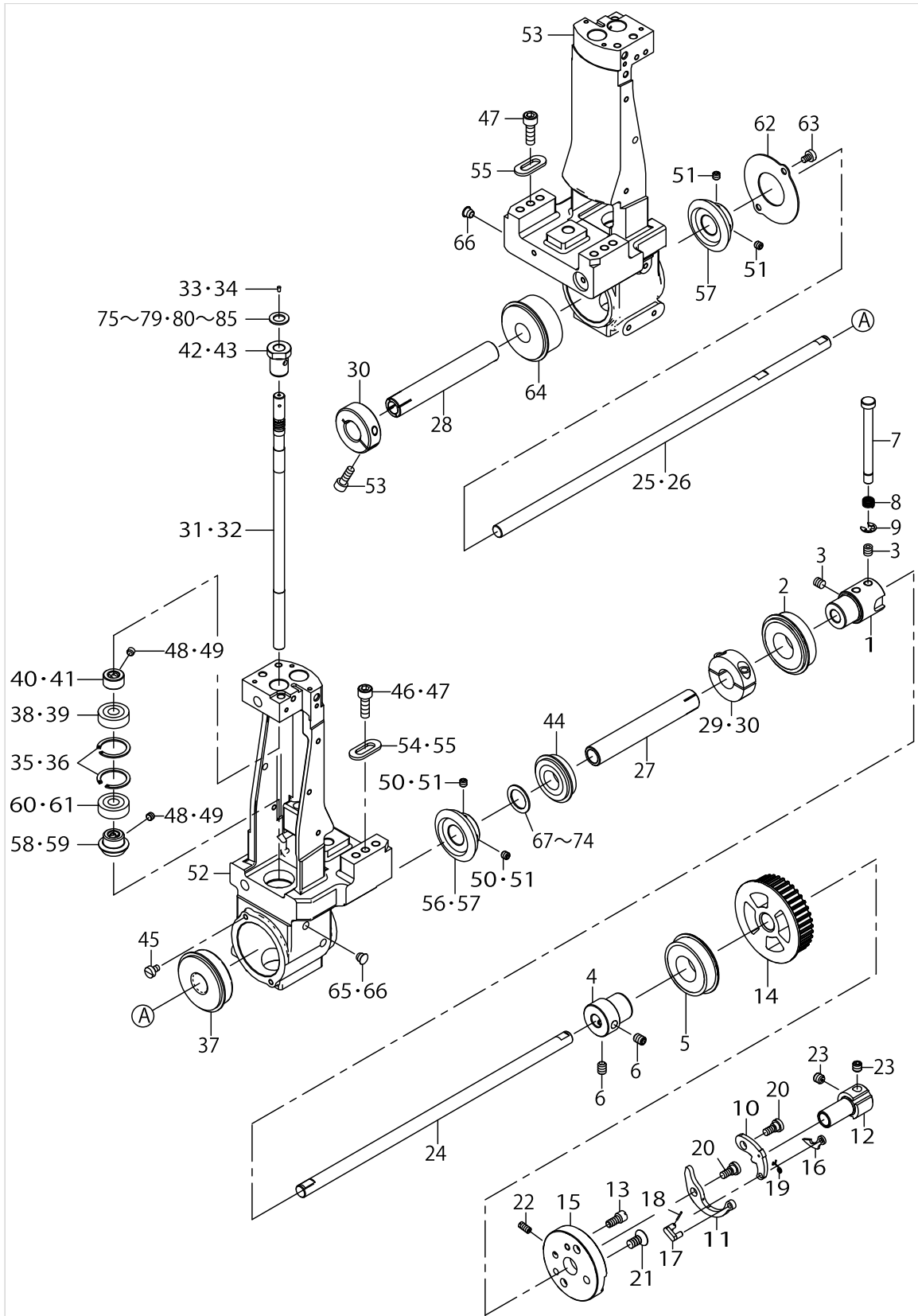
LOWER SHAFT COMPONENTS



LOWER SHAFT COMPONENTS

No.	Supply Code	Parts No.	Replacement	Parts name	Remarks	Choice	Step	Level	Cons	Qty	Rep. QTY
39		SB108000400		BUSHING	FOR PLC-- 2760,2760-- 7,2760L, 2765					2	
40		CS0800881TP		THRUST COLLAR	FOR PLC-- 2710,2710-7					1	
41		CS0800881TP		THRUST COLLAR	FOR PLC-- 2760,2760-- 7,2760L, 2765					2	
42		40130036		BUSHING	FOR PLC-- 2710,2710-7					1	
43		40130036		BUSHING	FOR PLC-- 2760,2760-- 7,2760L, 2765					2	
44		SB115001000		ROLLING BEARING						1	
45		SM6040650TP		SCREW						2	
46		SM6061802TP		SCREW M6 L=18	FOR PLC-- 2710,2710-7					2	
47		SM6061802TP		SCREW M6 L=18	FOR PLC-- 2760,2760-- 7,2760L, 2765					4	
48		SM8050412TP		SCREW M5 L=4	FOR PLC-- 2710,2710-7					4	
49		SM8050412TP		SCREW M5 L=4	FOR PLC-- 2760,2760-- 7,2760L, 2765					8	
50		SM80506A2TP		SCREW M5 L=6	FOR PLC-- 2710,2710-7					2	
51		SM80506A2TP		SCREW M5 L=6	FOR PLC-- 2760,2760-- 7,2760L, 2765					4	
52		40133882		HOOK_SHAFT_BASE- _R_COMPONENTS						1	
53		40133883		HOOK_SHAFT_BASE- _L_COMPONENTS	FOR PLC-- 2760,2760-- 7,2760L, 2765					1	
54		40139042		WASHER	FOR PLC-- 2710,2710-7					2	
55		40139042		WASHER	FOR PLC-- 2760,2760-- 7,2760L, 2765					4	
56		40126372		LOWER_SHAFT_GEAR	FOR PLC-- 2710,2710-7					1	
57		40126372		LOWER_SHAFT_GEAR	FOR PLC-- 2760,2760-- 7,2760L, 2765					2	
58		40112242		HOOK_SHAFT_GEAR	FOR PLC-- 2710,2710-7					1	
59		40112242		HOOK_SHAFT_GEAR	FOR PLC-- 2760,2760-- 7,2760L, 2765					2	
60		SB108000400		BUSHING	FOR PLC-- 2710,2710-7					1	
61		SB108000400		BUSHING	FOR PLC-- 2760,2760-- 7,2760L, 2765					2	
62		40126455		HOOK_SHAFT_BASE_COVER	FOR PLC-- 2760,2760-- 7,2760L, 2765					1	
63		SM6040650TP		SCREW	FOR PLC-- 2760,2760-- 7,2760L, 2765					2	
64		SB115002200		BEARING	FOR PLC-- 2760,2760-- 7,2760L, 2765					1	
65		TA0620504R0		CAP	FOR PLC-- 2710,2710-7					2	
66		TA0620504R0		CAP	FOR PLC-- 2760,2760-- 7,2760L, 2765					4	

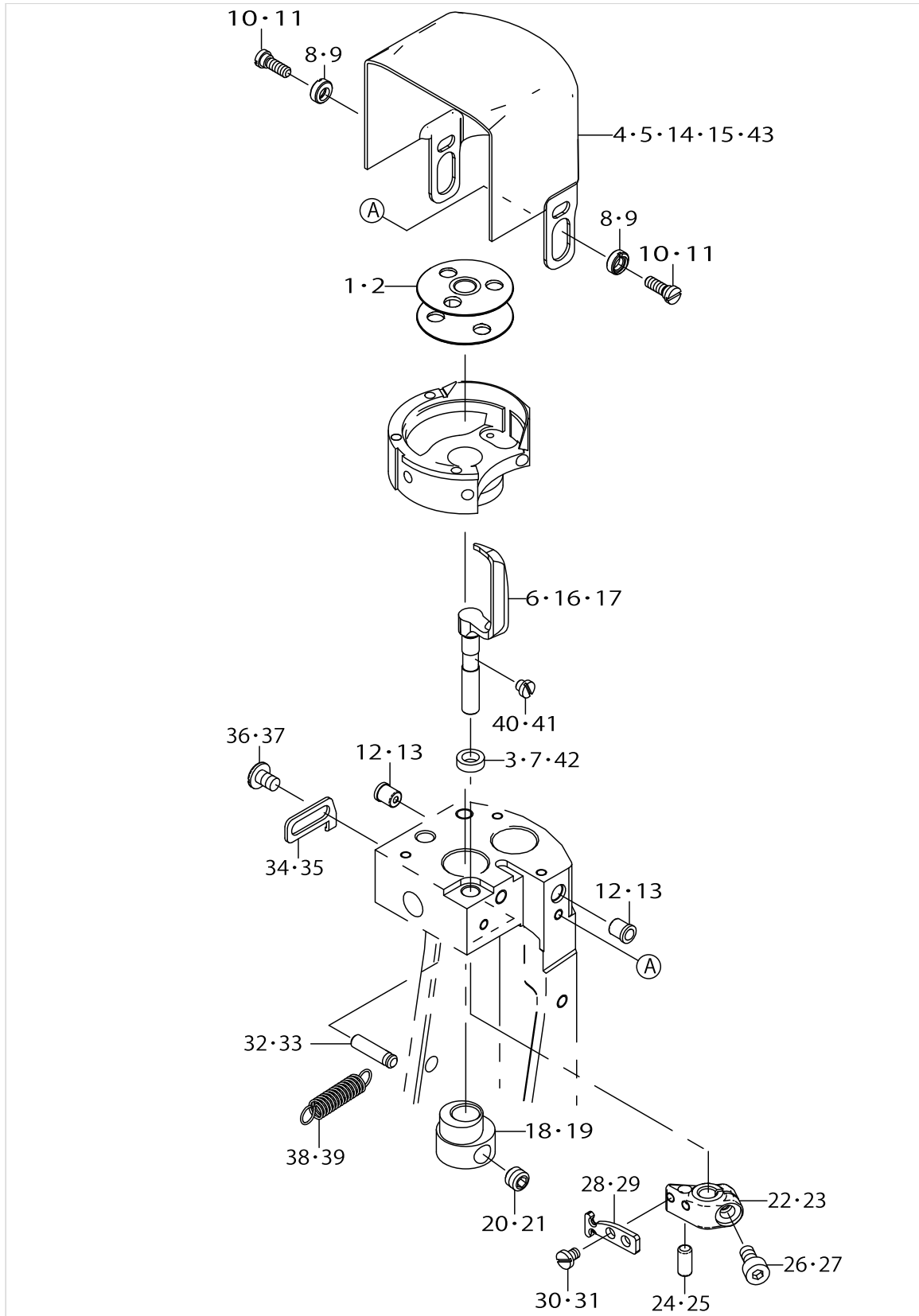
LOWER SHAFT COMPONENTS



LOWER SHAFT COMPONENTS

No.	Supply Code	Parts No.	Replacement	Parts name	Remarks	Choice	Step	Level	Cons	Qty	Rep. QTY
67		B122177100A		HIGH SPEED WASH- ER FOR BEARING	SELECTIVE PARTS					1	
68		B122177100B		MAIN SHAFT THRU- ST WASHER B T=1.0	SELECTIVE PARTS					1	
69		B125578100C		WASHER C	SELECTIVE PARTS					1	
70		B122177100D		MAIN SHAFT THRUST WASHER (D)	SELECTIVE PARTS					1	
71		B122177100E		MAIN SHAFT THRUST WASHER (E)	SELECTIVE PARTS					1	
72		B122177100F		MAIN SHAFT THRUST WASHER (F)	SELECTIVE PARTS					1	
73		B122177100G		WASHER T=1.1	SELECTIVE PARTS					1	
74	D	B122177100H		WASHER T=1.3	SELECTIVE PARTS					1	
75		B255728000A		WASHER FOR DRIVING ARM	SELECTIVE PARTS					1	
76		B255728000B		WASHER	SELECTIVE PARTS					1	
77		B255728000C		WASHER	SELECTIVE PARTS					1	
78		B255728000D		WASHER D	SELECTIVE PARTS					1	
79		B255728000E		WASHER	SELECTIVE PARTS					1	
80		40138418		WASHER T=1.3	SELECTIVE PARTS					1	
81		40138419		WASHER T=1.4	SELECTIVE PARTS					1	
82		40138420		WASHER T=1.5	SELECTIVE PARTS					1	
83		40138421		WASHER T=1.6	SELECTIVE PARTS					1	
84		40138422		WASHER T=1.7	SELECTIVE PARTS					1	
85		40138423		WASHER T=1.8	SELECTIVE PARTS					1	

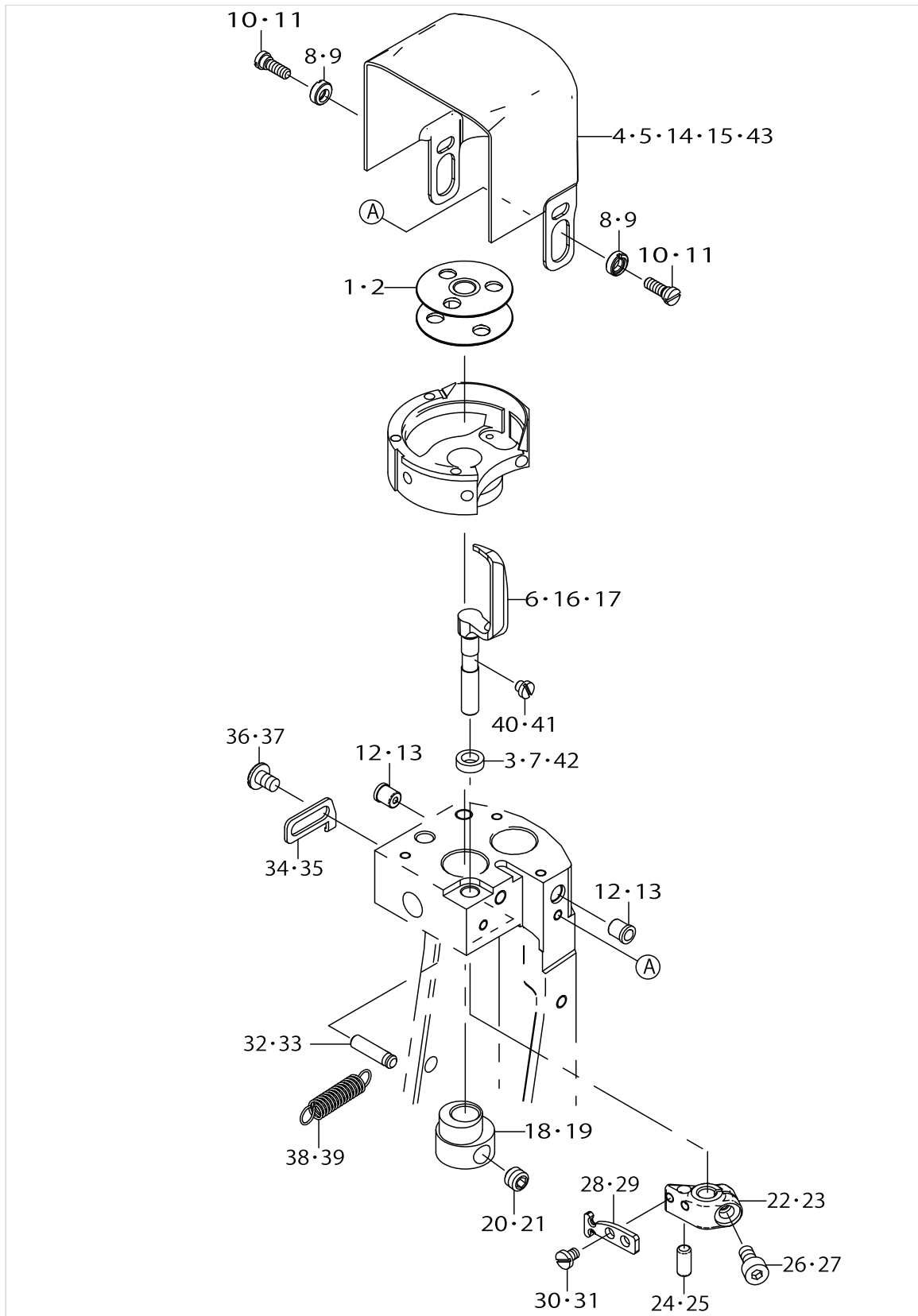
OPENNER COMPONENTS



OPENNER COMPONENTS

No.	Supply Code	Parts No.	Replacement	Parts name	Remarks	Choice	Step	Level	Cons	Qty	Rep. QTY
1		21334800		ALUMINUM BOBBIN WITH KNURL	FOR PLC-- 2710,2710-7				☆	1	
2		21334800		ALUMINUM BOBBIN WITH KNURL	FOR PLC-- 2760,2760-- 7,2765, 2760L				☆	2	
3		40134531		SPACER	FOR PLC-- 2760,2760L					2	
4		40137886		HOOK_COVER ASM.	FOR PLC--2710					1	
5		40137886		HOOK_COVER ASM.	FOR PLC-- 2760,2760L					2	
6		40137923		OPENER 2765	FOR PLC--2765					1	
7		40134531		SPACER	FOR PLC--2710					1	
8		23007503		ECCENTRIC ROLLER	FOR PLC-- 2710,2710-7					2	
9		23007503		ECCENTRIC ROLLER	FOR PLC-- 2760,2760-- 7,2765, 2760L					4	
10		40163121		HINGE_SCREW	FOR PLC-- 2710,2710-7					2	
11		40163121		HINGE_SCREW	FOR PLC-- 2760,2760-- 7,2765, 2760L					4	
12		40130048		BALL_PLUNGER	FOR PLC-- 2710,2710-7					2	
13		40130048		BALL_PLUNGER	FOR PLC-- 2760,2760-- 7,2765, 2760L					4	
14		40130040		HOOK_COVER	FOR PLC--2710-7					1	
15		40130040		HOOK_COVER	FOR PLC--2760-7					2	
16		40130027		OPENER	FOR PLC-- 2710,2710-7				☆	1	
17		40130027		OPENER	FOR PLC-- 2760,2760-7,2760L				☆	2	
18		40130031		OPENER_CAM	FOR PLC-- 2710,2710-7					1	
19		40130031		OPENER_CAM	FOR PLC-- 2760,2760-- 7,2765, 2760L					2	
20		SM8060552TP		SCREW M6 L=5	FOR PLC-- 2710,2710-7					1	
21		SM8060552TP		SCREW M6 L=5	FOR PLC-- 2760,2760-- 7,2765, 2760L					2	
22		40130028		OPENER_ARM	FOR PLC-- 2710,2710-7					1	
23		40130028		OPENER_ARM	FOR PLC-- 2760,2760-- 7,2765, 2760L					2	
24		B3019816000		PIN	FOR PLC-- 2710,2710-7					1	
25		B3019816000		PIN	FOR PLC-- 2760,2760-- 7,2765, 2760L					2	
26		SM6040802TP		SCREW M4X0.7 L=8	FOR PLC-- 2710,2710-7					1	
27		SM6040802TP		SCREW M4X0.7 L=8	FOR PLC-- 2760,2760-- 7,2765, 2760L					2	
28		40130030		SPRING_RACK	FOR PLC-- 2710,2710-7					1	
29		40130030		SPRING_RACK	FOR PLC-- 2760,2760-- 7,2765, 2760L					2	
30		SM6030450TP		SCREW M3 L=4	FOR PLC-- 2710,2710-7					2	

OPENNER COMPONENTS

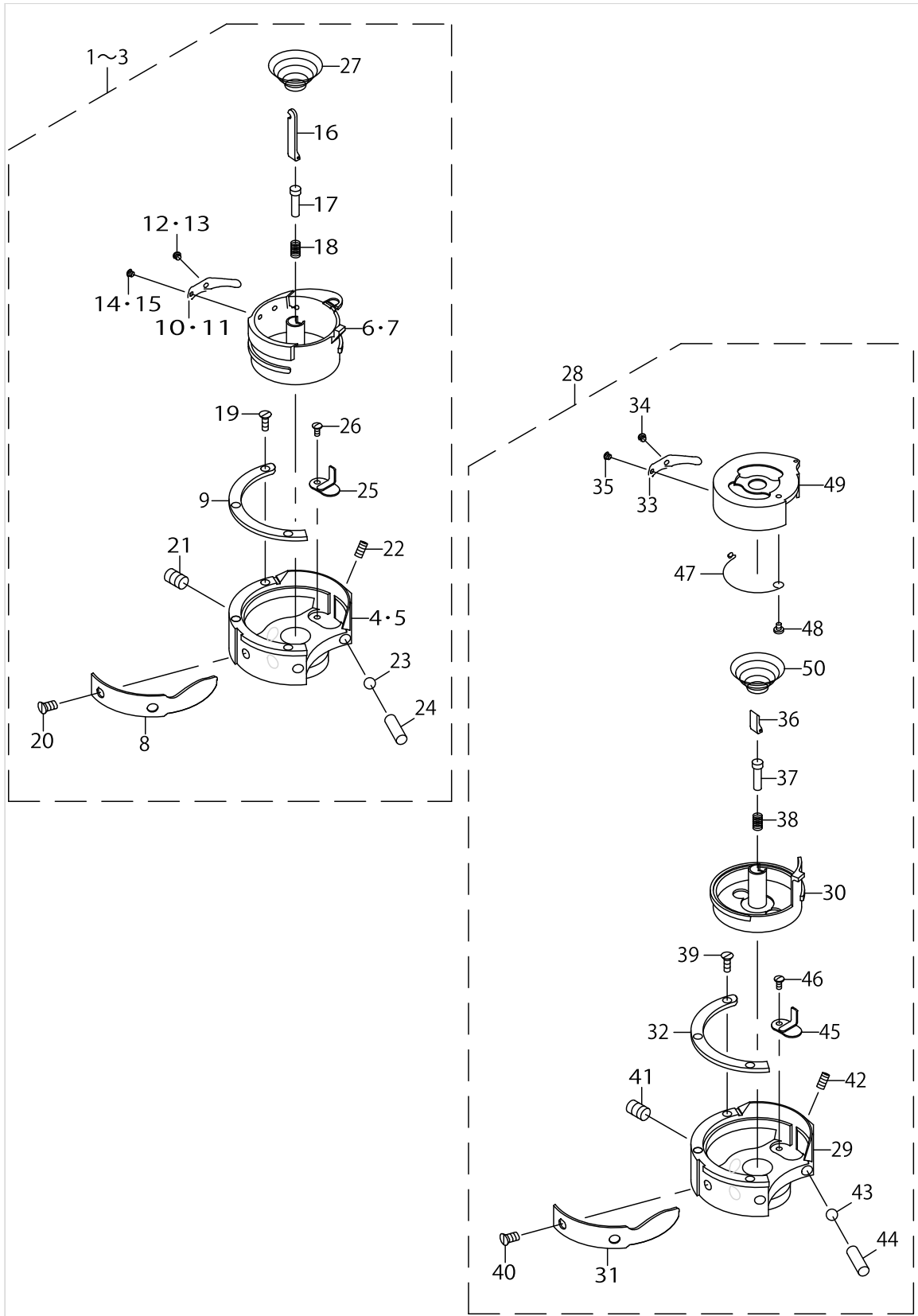


OPENNER COMPONENTS

No.	Supply Code	Parts No.	Replacement	Parts name	Remarks	Choice	Step	Level	Cons	Qty	Rep. QTY
31		SM6030450TP		SCREW M3 L=4	FOR PLC-- 2760,2760-- 7,2765, 2760L					4	
32		18219105		DW PIN 4X16	FOR PLC-- 2710,2710-7					1	
33		18219105		DW PIN 4X16	FOR PLC-- 2760,2760-- 7,2765, 2760L					2	
34		40163259		H_C_STOPPER	FOR PLC-- 2710,2710-7					1	
35		40163259		H_C_STOPPER	FOR PLC-- 2760,2760-- 7,2765, 2760L					2	
36		SM6040650TP		SCREW	FOR PLC-- 2710,2710-7					2	
37		SM6040650TP		SCREW	FOR PLC-- 2760,2760-- 7,2765, 2760L					4	
38		40133718		SPRING	FOR PLC-- 2710,2710-7					1	
39		40133718		SPRING	FOR PLC-- 2760,2760-- 7,2765, 2760L					2	
40		SS6080320SP		SCREW 1/8-44 L=2.5	FOR PLC-- 2710,2710-7					1	
41		SS6080320SP		SCREW 1/8-44 L=2.5	FOR PLC-- 2760,2760-- 7,2765, 2760L					2	
42		40137930		SPACER	FOR PLC-2765					2	
43		40141066		HOOK_COVER_ASM_B	FOR PLC-2765					2	



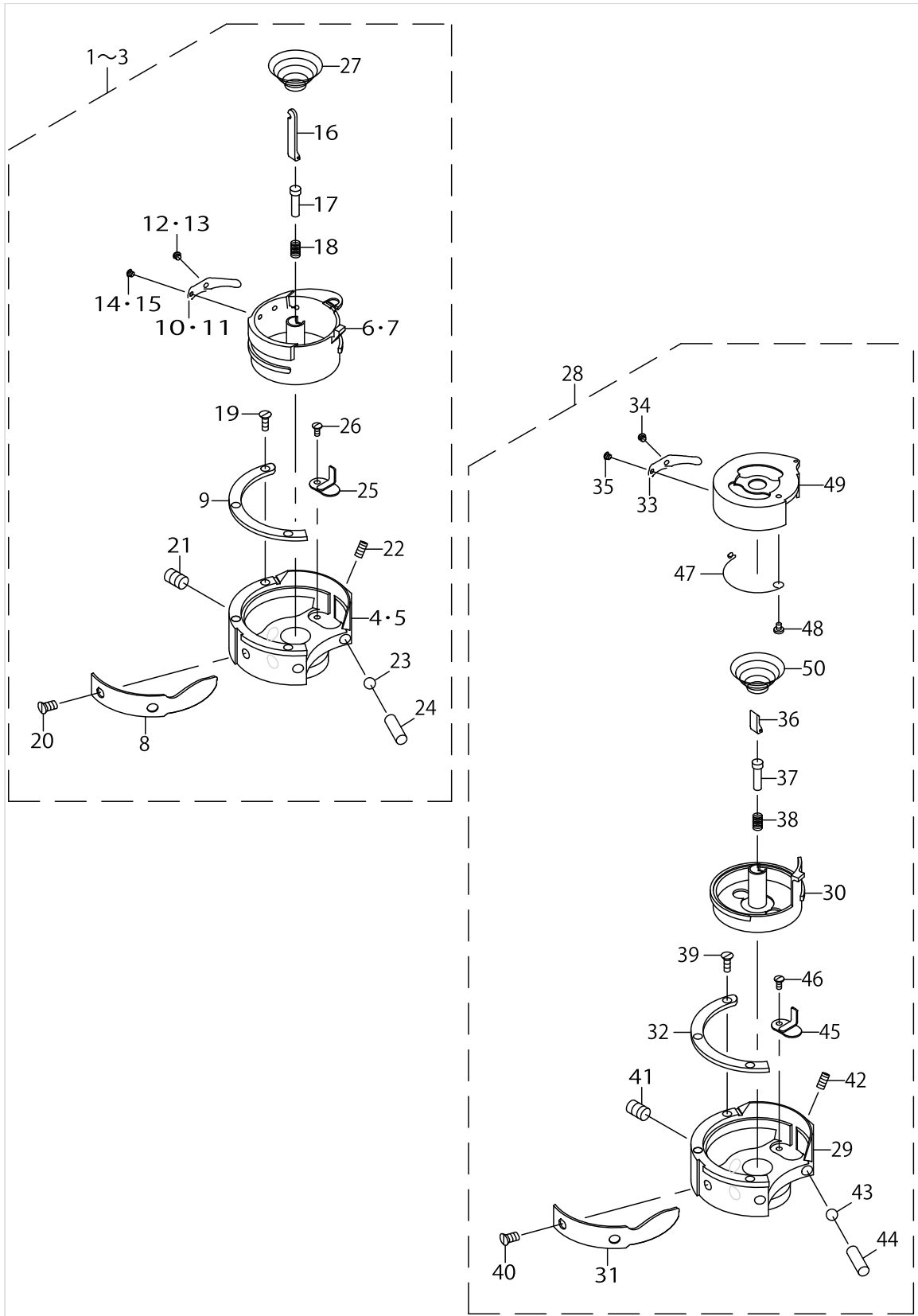
# HOOK COMPONENTS



HOOK COMPONENTS

No.	Supply Code	Parts No.	Replacement	Parts name	Remarks	Choice	Step	Level	Cons	Qty	Rep. QTY
1		40130034		TRM_HOOK_ASM.	FOR PLC-- 2710-7,2760-7					1	
2		40126399		HOOK_ASM.	FOR PLC-2710,2760					1	
3	R	40138461	40126399	HOOK_ASM.	FOR PLC-2760L					1	1.00
4		40148039		OUTER_HOOK	FOR PLC-- 2710-7,2760-7			*		1	
5		40148031		OUTER_HOOK	FOR PLC-- 2710,2760,2760L			*		1	
6		40148041		INNER_HOOK	FOR PLC-- 2710-7,2760-7			*		1	
7		40148032		INNER_HOOK	FOR PLC-- 2710,2760,2760L			*		1	
8		40079896		NEEDLE HOLDER				*		1	
9		40148033		INNER_HOOK_HOLDER				*		1	
10		40079898		TENTION_SPRING	FOR PLC-- 2710-7,2760-7			*		1	
11		40148034		TENTION_SPRING	FOR PLC-- 2710,2760,2760L			*		1	
12		40079899		ADJUSTING_SCREW	FOR PLC-- 2710-7,2760-7			*		1	
13		40148035		ADJUSTING_SCREW	FOR PLC-- 2710,2760,2760L			*		1	
14		40079900		TENTION_SPRING_SETSCREW	FOR PLC-- 2710-7,2760-7			*		1	
15		40148036		TENTION_SPRING_SETSCREW	FOR PLC-- 2710,2760,2760L			*		1	
16		40079901		BOBBIN_PRESSER				*		1	
17		40079902		PRESSER LIFTER				*		1	
18		40079903		PRESSER LIFTER SPRING				*		1	
19		40079904		INNER HOOK HOLDER SETSCREW				*		3	
20		40079905		NEEDLE HOLDER SETSCREW				*		2	
21		40075542		OUTER_HOOK_SETSCREW				*		2	
22		40079909		NEEDLE HOLDER A- DJUSTING SCREW				*		1	
23		40148037		BALL				*		1	
24		40148038		SLIDE_PIN				*		1	
25		40075548		OIL_COVER				*		1	
26		40075547		OIL_COVER_SETSCREW				*		1	
27		40079912		IDLING PRIVENTION SPRING				*		1	
28		40134795		HOOK_ASM_65	FOR PLC-2765					1	
29		40148031		OUTER_HOOK				*		1	
30		40148042		INNER_HOOK				*		1	
31		40079896		NEEDLE HOLDER				*		1	
32		40148033		INNER_HOOK_HOLDER				*		1	
33		40148043		TENTION_SPRING				*		1	
34		40148035		ADJUSTING_SCREW				*		1	
35		40148036		TENTION_SPRING_SETSCREW				*		1	
36		40148044		BOBBIN_PRESSER				*		1	
37		40079902		PRESSER LIFTER				*		1	
38		40079903		PRESSER LIFTER SPRING				*		1	
39		40079904		INNER HOOK HOLDER SETSCREW				*		3	
40		40079905		NEEDLE HOLDER SETSCREW				*		2	
41		40075542		OUTER_HOOK_SETSCREW				*		2	

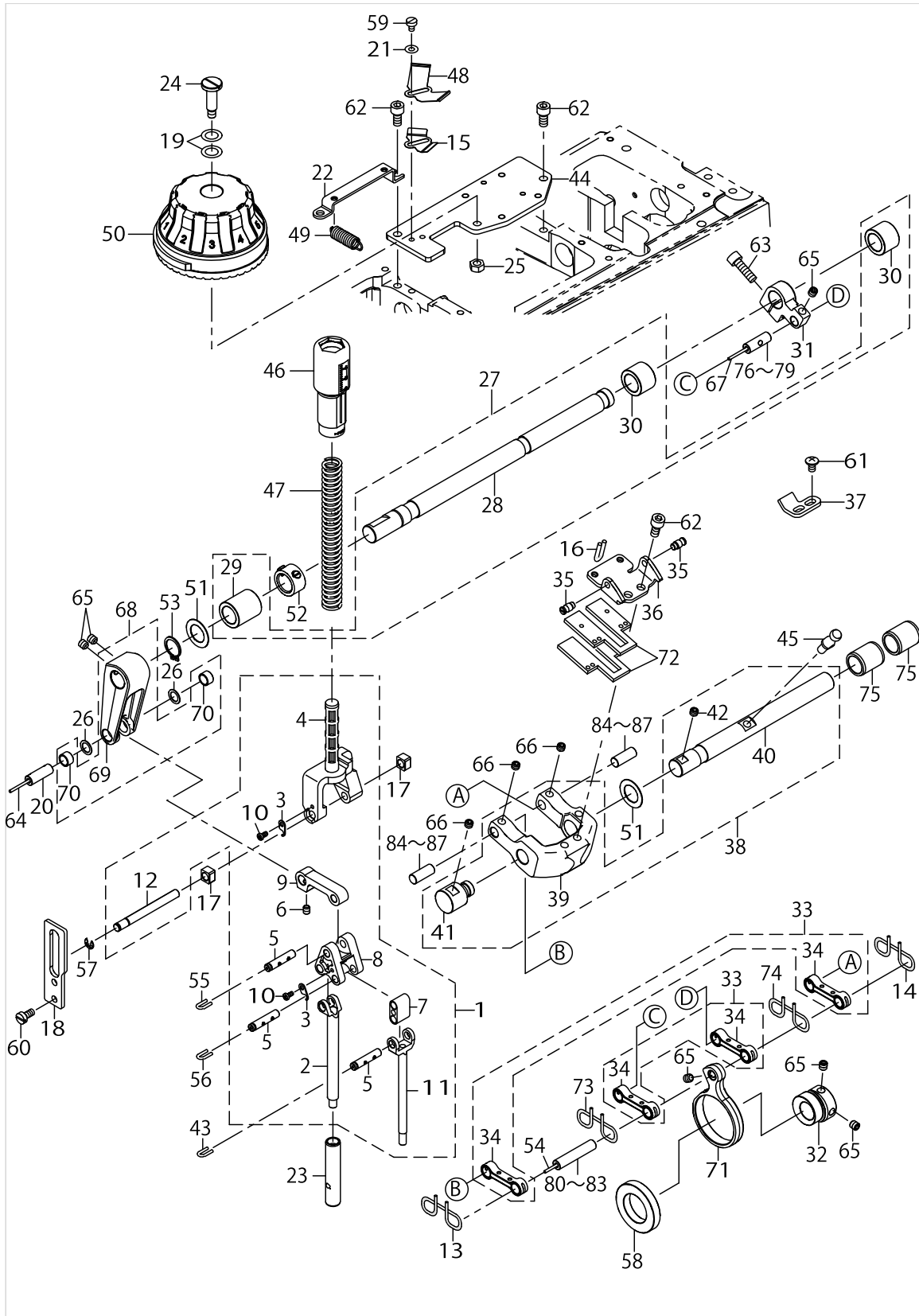
HOOK COMPONENTS



## HOOK COMPONENTS

No.	Supply Code	Parts No.	Replacement	Parts name	Remarks	Choice	Step	Level	Cons	Qty	Rep. QTY
42		40079909		NEEDLE HOLDER A-DJUSTING SCREW				*		1	
43		40148037		BALL				*		1	
44		40148038		SLIDE_PIN				*		1	
45		40075548		OIL_COVER				*		1	
46		40075547		OIL_COVER_SETSCREW				*		1	
47		40148045		ABSORPTION_SPRING				*		1	
48		40148046		ABSORPTION_SPRING_SCREW				*		1	
49		40148047		CAP				*		1	
50		40079912		IDLING PRIVENTION SPRING				*		1	

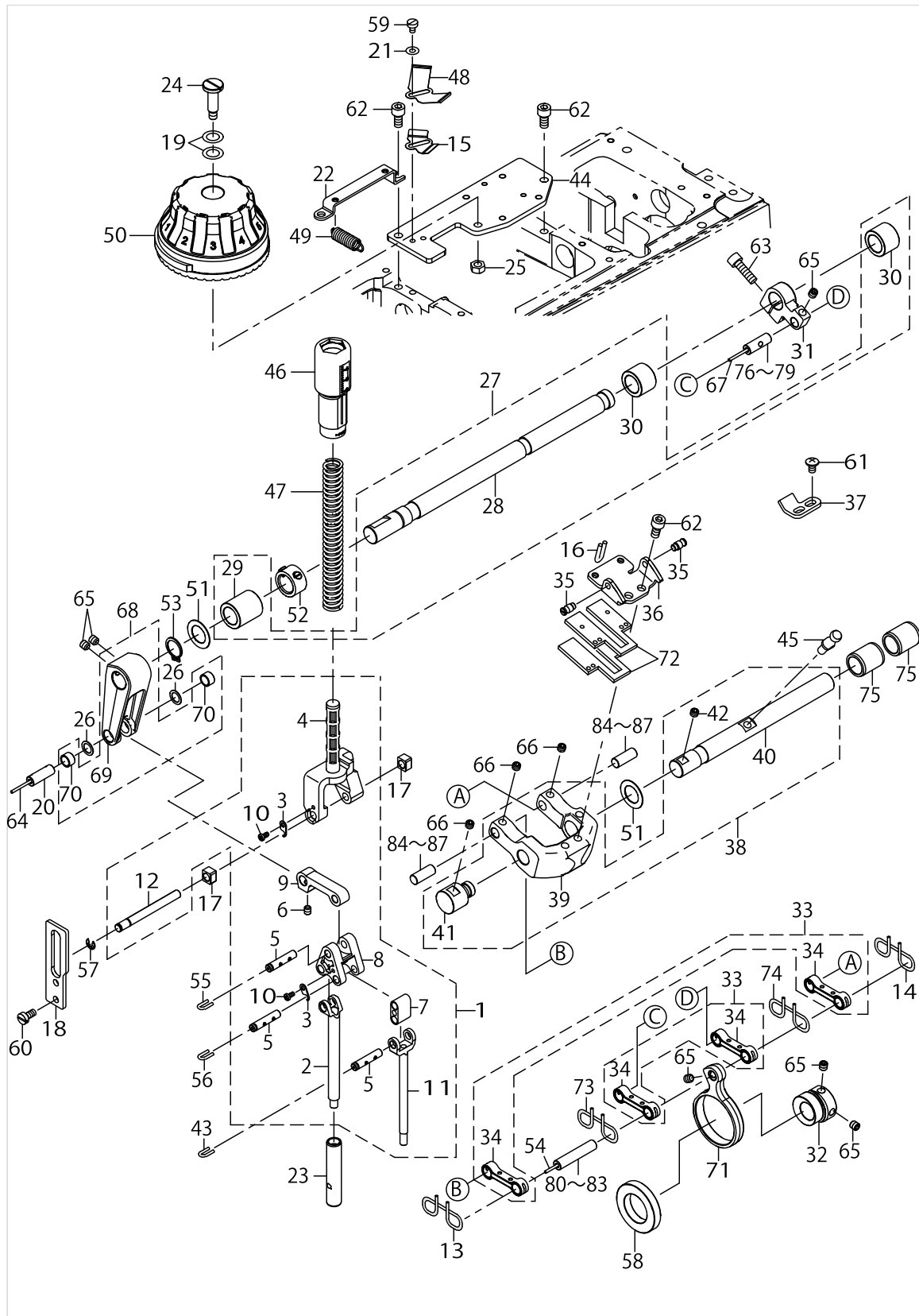
UPPER FEED COMPONENTS



UPPER FEED COMPONENTS

No.	Supply Code	Parts No.	Replacement	Parts name	Remarks	Choice	Step	Level	Cons	Qty	Rep. QTY
1		40144289		UPPER_FEED_F_ASM_E						1	
2		40125861		PRESSURE_BAR_E				*		1	
3		10710804		TRIANGLE LEVER S-HAFT STOPPER				*		2	
4	R	40144287	40144289	SPRING_RECEIVING_E_ASM				*		1	1.00
5		40112176		CONNECTION_PIN				*		3	
6		SM8050612TP		SCREW M5X6				*		1	
7		40176628		WALKING_BAR_DRIVING_LINK				*		1	
8		40125852		TRIANGULAR_LEVER				*		1	
9		40125854		UPPER_FEED_LINK_A				*		1	
10		SM4030601SN		SCREW M3X6				*		2	
11		40125937		WALKING_BAR_E				*		1	
12		40126166		PRESSER_BAR_GUIDE_SHAFT				*		1	
13		CQ202000000		OIL WICK						.25	
14		CQ202000000		OIL WICK						.25	
15		40154199		LEAF_SPRING_ADJUSTING_PLATE						1	
16		CQ202000000		OIL WICK						.1	
17		40090058		SLIDE BLOCK						2	
18		40125943		PRESSER ROD GUIDE						1	
19		40023627		PRESSER PLATE SHEET WASHER						2	
20		40123634		ROCKING_LINK_PIN						1	
21		WP0430800SD		WASHER M4						4	
22		40125867		SPRING_HOOK						1	
23		40171574		PRESSER_BAR_BUSHING						1	
24	R	SD0802126TP	40082079	SHOULDER SCREW D=8 H=21.2						1	1.00
25		NM6060001SD		NUT M6						1	
26		E2613700000		WASHER						2	
27		40123319		UPPER_FEED_SHAFT_ASM.						1	
28		40123262		UPPER_FEED_SHAFT				*		1	
29	R	40123320	40123319	UPPER_FEED_SHAFT_METAL_F				*		1	1.00
30	R	40123321	40123319	UPPER_FEED_SHAFT_METAL_R				*		1	1.00
31		40126160		UPPER_FEED_REAR_ARM						1	
32		40126390		UPPER_FEED_CAM						1	
33		40126338		CONNECTION_LINK_ASM.						1	
34	R	40126223	40126338	CONNECTION_LINK				*		1	1.00
35		40038494		THREAD_BIND_ARM_SPRING RAC						2	
36		40126269		CHANGE_BASE_SPRING_RACK						1	
37		40126264		CHANGE_BASE_STOPPER						1	
38		40123416		UPPER_FEED_CHANGE_BASE_ASM.						1	
39	R	40123414	40123416	UPPER_FEED_CHANGE_BASE				*		1	1.00
40	R	40123555	40123416	UF_CHANGE_BASE_SHAFT				*		1	1.00
41	R	40123415	40123416	UF_CHANGE_BASE_SUPPORT_PIN				*		1	1.00
42		SM8060552TP		SCREW M6 L=5				*		1	
43		CQ252000000		OIL WICK						.048	
44		40125868		INSTALLING_PLATE						1	
45		40126374		VERTICAL_ADJUSTING_PIN						1	
46		40125926		PRESSER_ADJUSTING_SCREW						1	

UPPER FEED COMPONENTS

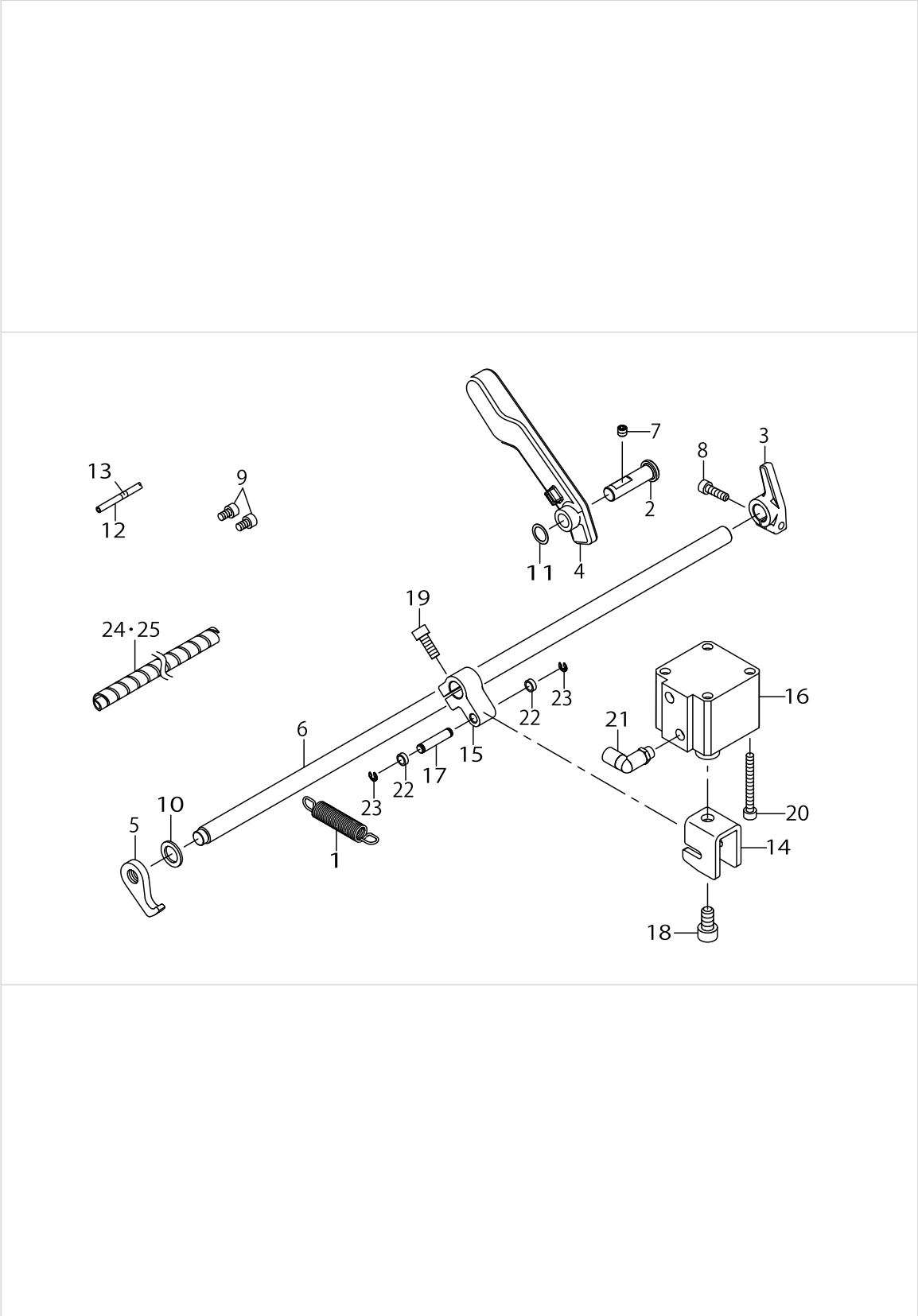


UPPER FEED COMPONENTS

No.	Supply Code	Parts No.	Replacement	Parts name	Remarks	Choice	Step	Level	Cons	Qty	Rep. QTY
47		40112197		PRESSER_SPRING						1	
48		40112199		LEAF_SPRING						1	
49		40126400		SPRING						2	
50		40125850		VERTICAL_DIAL(VE)						1	
51		D1231555B00		WASHER						2	
52		22904155		MAIN SHAFT THRU-ST COLLAR ASM.						1	
53		RC0150001KP		RETAINING RING 13.8						1	
54		CQ202000000		OIL WICK						.042	
55		CQ252000000		OIL WICK						.048	
56		CQ252000000		OIL WICK						.048	
57		RE0400000K0		E-RING 4						1	
58		SB125000600		BEARING						1	
59		SM6040650TP		SCREW						2	
60		SM6051000SP		SCREW						2	
61		SM0050801SC		SCREW						2	
62		SM6061202TP		SCREW M6 L=12						5	
63		SM6062002TP		SCREW M6 L=20						1	
64		CQ202000000		OIL WICK						.02	
65		SM8060612TP		SCREW M6 L=6						6	
66		SM8060552TP		SCREW M6 L=5						3	
67		CQ202000000		OIL WICK						.02	
68		40126159		UPPER_FEED_FRONT_ARM_ASM.						1	
69	R	40126157	40126159	UPPER_FEED_FRONT_ARM				*		1	1.00
70	R	40126158	40126159	UPPER_FEED_FRONT_ARM_BUSH				*		2	1.00
71		40125876		UPPER_FEED_CAM_ROD						1	
72		40123345		FELT						2	
73		CQ202000000		OIL WICK						.25	
74		CQ202000000		OIL WICK						.25	
75		22913008		FEED ROCKER SHAFT BUSHING						2	
76		40149115		ROCKING_LINK_PIN_A	SELECTIVE PARTS					1	
77		40149116		ROCKING_LINK_PIN_B	SELECTIVE PARTS					1	
78		40149117		ROCKING_LINK_PIN_C	SELECTIVE PARTS					1	
79		40149118		ROCKING_LINK_PIN_D	SELECTIVE PARTS					1	
80		40149125		FEED_ROD_PIN_A	SELECTIVE PARTS					1	
81		40149126		FEED_ROD_PIN_B	SELECTIVE PARTS					1	
82	D	40149127		FEED_ROD_PIN_C	SELECTIVE PARTS					1	
83		40149128		FEED_ROD_PIN_D	SELECTIVE PARTS					1	
84		40149121		FEED_ADJUSTING_PIN_B	SELECTIVE PARTS					1	
85		40149122		FEED_ADJUSTING_PIN_C	SELECTIVE PARTS					1	
86		40149123		FEED_ADJUSTING_PIN_D	SELECTIVE PARTS					1	
87		40149120		FEED_ADJUSTING_PIN_A	SELECTIVE PARTS					2	



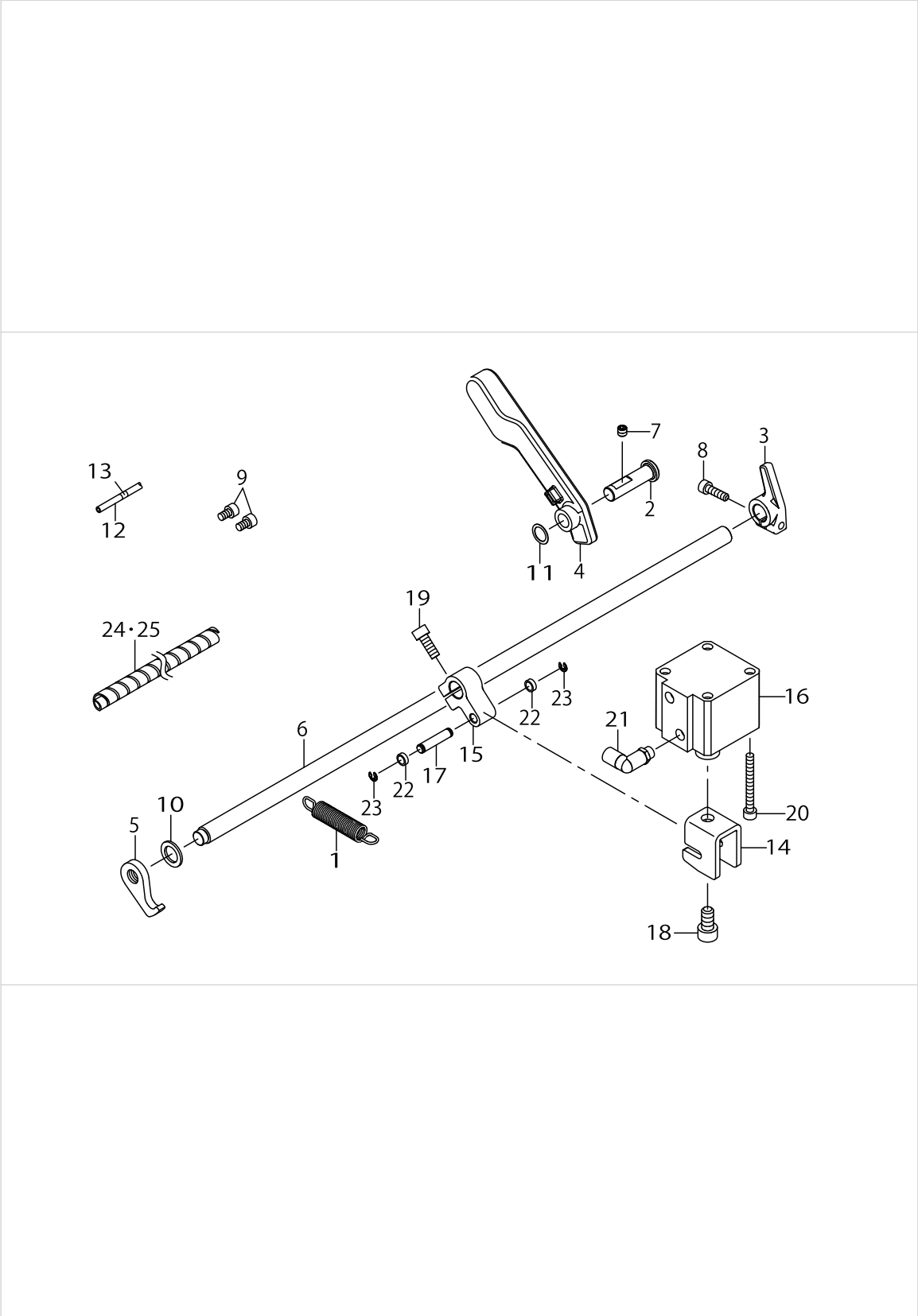
HAND LIFTER & AUTO LIFTER COMPONENTS



HAND LIFTER & AUTO LIFTER COMPONENTS

No.	Supply Code	Parts No.	Replacement	Parts name	Remarks	Choice	Step	Level	Cons	Qty	Rep. QTY
1		40126367		SPRING						1	
2		40006716		THREAD_TRIMMER_SHAFT						1	
3		40112184		LIFTER_LEVER_A						1	
4		40126150		LIFTER_LEVER_B						1	
5		40144283		LIFTER_PLATE						1	
6		40126364		LIFTER_SHAFT						1	
7		SM8060612TP		SCREW M6 L=6						1	
8		SM6051802TP		SCREW M5 L=18						1	
9		SM6050802TP		SCREW M5X0.8 L=8						2	
10		13409107		WASHER						1	
11		WZ1052010KP		WAVED WASHER						1	
12		BT0400251EB		URETHANE HOSE BLACK	FOR PLC-- 2710-7,276- 0-7,2710(W- ITH AK), 2- 710(WITH AK,BT,DL),- 2760(WITH AK), 2760(- WITH AK,B- T,DL),2760- L(WITH AK), 2760L(WITH AK,BT,DL),- 2765(WITH AK), 2765(- WITH AK,BT,DL) FOR PLC-- 2710-7,276- 0-7,2710(W- ITH AK), 2- 710(WITH AK,BT,DL),- 2760(WITH AK), 2760(- WITH AK,B- T,DL),2760- L(WITH AK), 2760L(WITH AK,BT,DL),- 2765(WITH AK), 2765(- WITH AK,BT,DL)				.62		
13		18035907		WIRE MARK (10)	FOR PLC-- 2710-7,276- 0-7,2710(W- ITH AK), 2- 710(WITH AK,BT,DL),- 2760(WITH AK), 2760(- WITH AK,B- T,DL),2760- L(WITH AK), 2760L(WITH AK,BT,DL),- 2765(WITH AK), 2765(- WITH AK,BT,DL)					2	
14		40112187		KNUCKLE_JOINT_A	FOR PLC-- 2710-7,276- 0-7,2710(W- ITH AK), 2- 710(WITH AK,BT,DL),- 2760(WITH AK), 2760(- WITH AK,B- T,DL),2760- L(WITH AK), 2760L(WITH AK,BT,DL),- 2765(WITH AK), 2765(- WITH AK,BT,DL)					1	

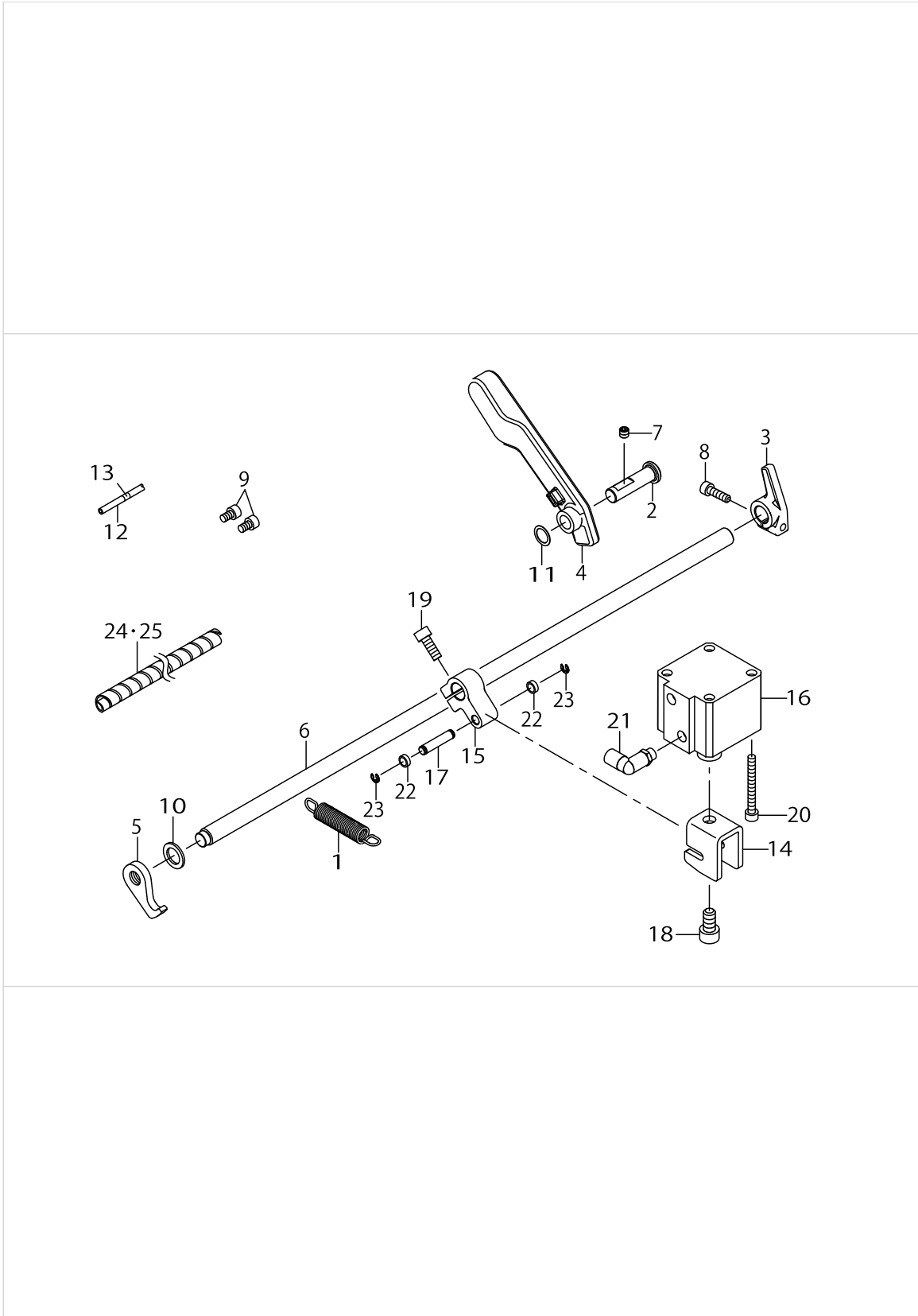
HAND LIFTER & AUTO LIFTER COMPONENTS



HAND LIFTER & AUTO LIFTER COMPONENTS

No.	Supply Code	Parts No.	Replacement	Parts name	Remarks	Choice	Step	Level	Cons	Qty	Rep. QTY
15		40112188		LIFTING_ARM	FOR PLC-- 2710-7,276- 0-7,2710(W- ITH AK), 2- 710(WITH AK,BT,DL),- 2760(WITH AK), 2760(- WITH AK,B- T,DL),2760- L(WITH AK), 2760L(WITH AK,BT,DL),- 2765(WITH AK), 2765(- WITH AK,BT,DL)					1	
16		PA400150200		AIR CYLINDER	FOR PLC-- 2710-7,276- 0-7,2710(W- ITH AK), 2- 710(WITH AK,BT,DL),- 2760(WITH AK), 2760(- WITH AK,B- T,DL),2760- L(WITH AK), 2760L(WITH AK,BT,DL),- 2765(WITH AK), 2765(- WITH AK,BT,DL)					1	
17		22949101		ROLLER FULCRUM SHAFT	FOR PLC-- 2710-7,276- 0-7,2710(W- ITH AK), 2- 710(WITH AK,BT,DL),- 2760(WITH AK), 2760(- WITH AK,B- T,DL),2760- L(WITH AK), 2760L(WITH AK,BT,DL),- 2765(WITH AK), 2765(- WITH AK,BT,DL)					1	
18		SM6081552TP		SCREW M8 L=15	FOR PLC-- 2710-7,276- 0-7,2710(W- ITH AK), 2- 710(WITH AK,BT,DL),- 2760(WITH AK), 2760(- WITH AK,B- T,DL),2760- L(WITH AK), 2760L(WITH AK,BT,DL),- 2765(WITH AK), 2765(- WITH AK,BT,DL)					1	

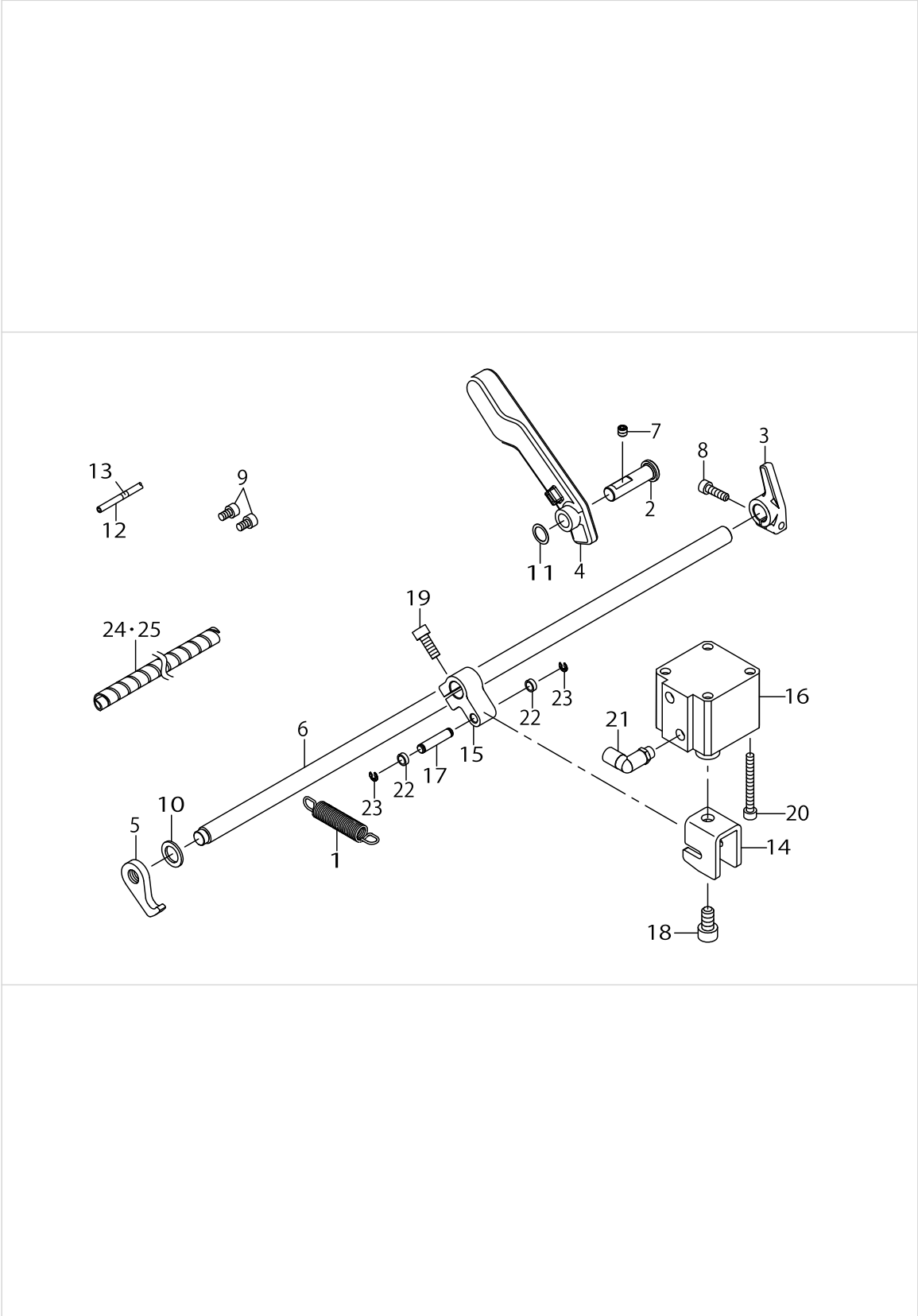
HAND LIFTER & AUTO LIFTER COMPONENTS



HAND LIFTER & AUTO LIFTER COMPONENTS

No.	Supply Code	Parts No.	Replacement	Parts name	Remarks	Choice	Step	Level	Cons	Qty	Rep. QTY
19		SM6061602TP		SCREW M6 L=16	FOR PLC-- 2710-7,276- 0-7,2710(W- ITH AK), 2- 710(WITH AK,BT,DL),- 2760(WITH AK), 2760(- WITH AK,B- T,DL),2760- L(WITH AK), 2760L(WITH AK,BT,DL),- 2765(WITH AK), 2765(- WITH AK,BT,DL)					1	
20		SM6054502TN		SCREW M5 L=45	FOR PLC-- 2710-7,276- 0-7,2710(W- ITH AK), 2- 710(WITH AK,BT,DL),- 2760(WITH AK), 2760(- WITH AK,B- T,DL),2760- L(WITH AK), 2760L(WITH AK,BT,DL),- 2765(WITH AK), 2765(- WITH AK,BT,DL)					4	
21		PJ304045102		ELBOW UNION C	FOR PLC-- 2710-7,276- 0-7,2710(W- ITH AK), 2- 710(WITH AK,BT,DL),- 2760(WITH AK), 2760(- WITH AK,B- T,DL),2760- L(WITH AK), 2760L(WITH AK,BT,DL),- 2765(WITH AK), 2765(- WITH AK,BT,DL)					1	
22		13951009		PRESSER FOOT ROLLER	FOR PLC-- 2710-7,276- 0-7,2710(W- ITH AK), 2- 710(WITH AK,BT,DL),- 2760(WITH AK), 2760(- WITH AK,B- T,DL),2760- L(WITH AK), 2760L(WITH AK,BT,DL),- 2765(WITH AK), 2765(- WITH AK,BT,DL)					2	

HAND LIFTER & AUTO LIFTER COMPONENTS

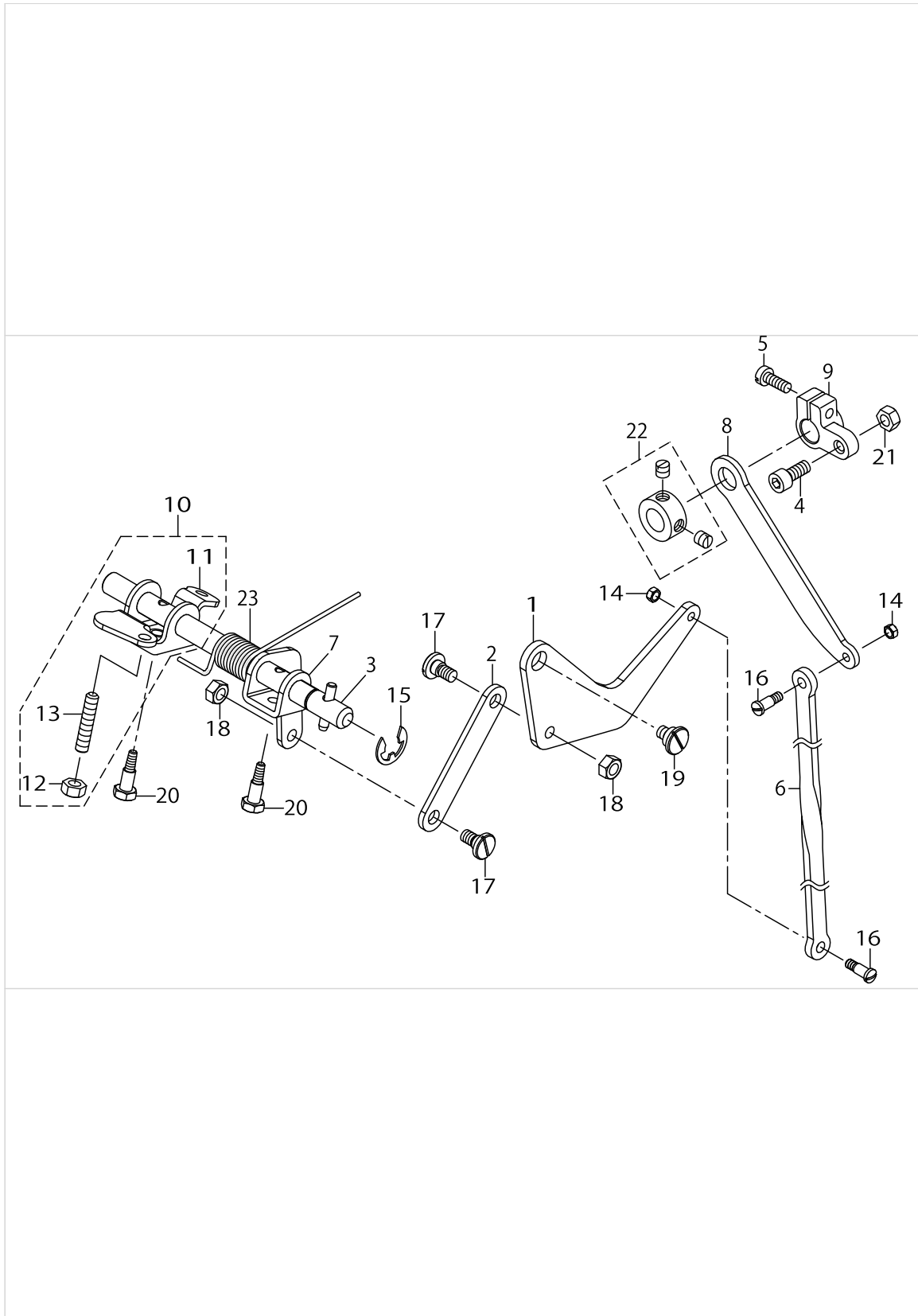


HAND LIFTER & AUTO LIFTER COMPONENTS

No.	Supply Code	Parts No.	Replacement	Parts name	Remarks	Choice	Step	Level	Cons	Qty	Rep. QTY
23		RE0400000K0		E-RING 4	FOR PLC-- 2710-7,276- 0-7,2710(W- ITH AK), 2- 710(WITH AK,BT,DL),- 2760(WITH AK), 2760(- WITH AK,B- T,DL),2760- L(WITH AK), 2760L(WITH AK,BT,DL),- 2765(WITH AK), 2765(- WITH AK,BT,DL)					2	
24		HX003140000		SPIRAL TABE	FOR PLC-- 2710(WITH AK), 2760(- WITH AK), 2760L(WITH AK), 2765(WITH AK)					.1	
25		HX00314000A		SPIRAL TUBE	FOR PLC-- 2710(WITH AK,BT,DL), 2760(WITH AK,BT,DL), 2760L(WITH AK,BT,DL), 2765(WITH AK,BT,DL)					.1	



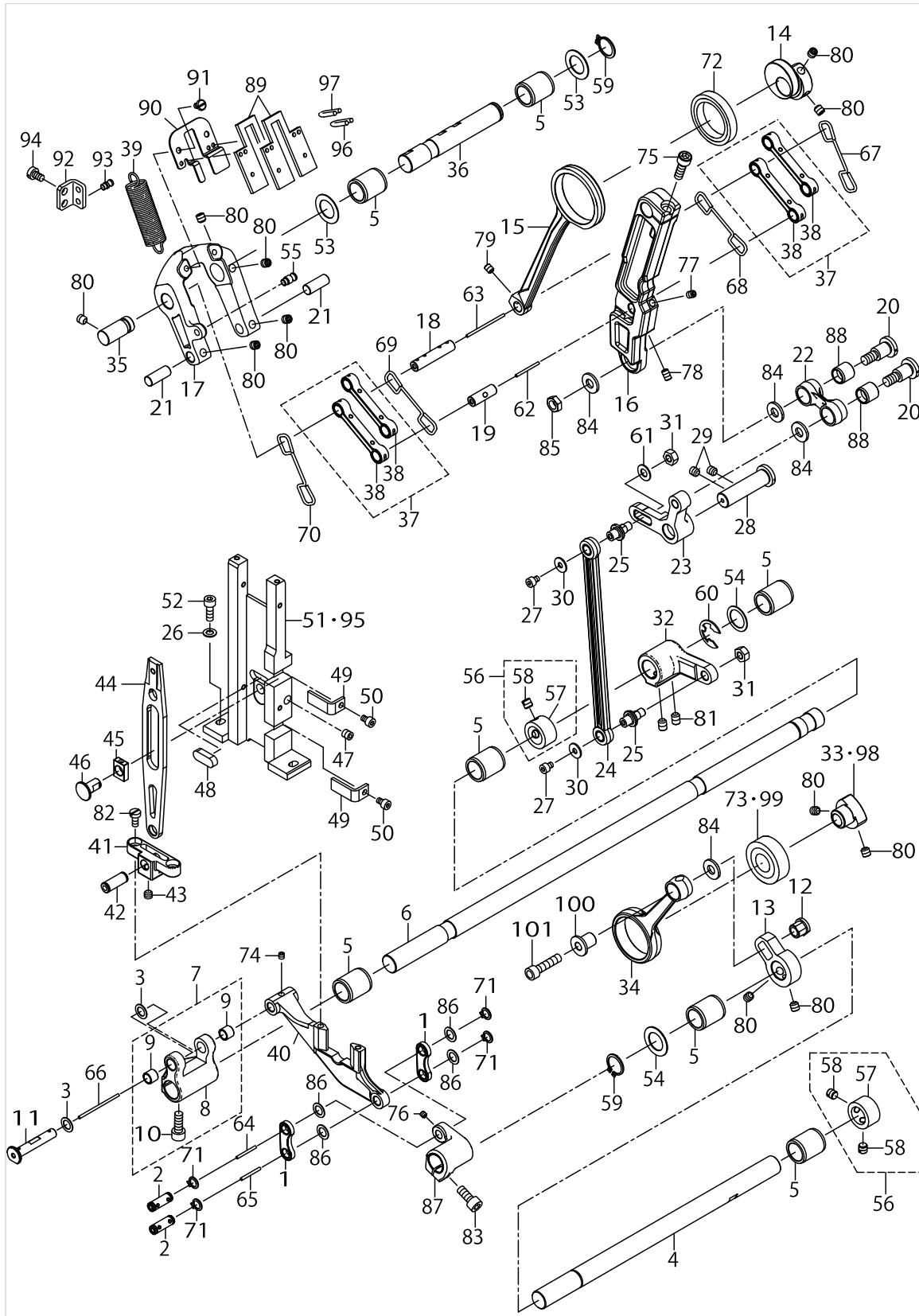
KNEE LIFTER COMPONENTS (FOR PLC-2710,2760,2760L,2765)



KNEE LIFTER COMPONENTS (FOR PLC-2710,2760,2760L,2765)

No.	Supply Code	Parts No.	Replacement	Parts name	Remarks	Choice	Step	Level	Cons	Qty	Rep. QTY
1		40126270		KNEE_PAD_LINK_A						1	
2		40126271		KNEE_PAD_LINK_B						1	
3		40126356		KNEE_LIFTER_SHAFT_ASM.						1	
4		SM6051202TP		SCREW M5X0.8 L=12						1	
5		SM6051400SP		SCREW						1	
6		40130019		KNEE_PAD_LINK						1	
7		40126273		KNEE_PAD_DRIVING_ARM						1	
8		40126274		KNEE_PAD_LINK_C						1	
9		40112127		BACKWARD_FEED_C- ONNECTING_ARM						1	
10		22932156		KNEE LIFTER ROTA- TION ARM ASM.						1	
11	R	22932107	22932156	KNEE LIFTING ROTATING ARM				*		1	1.00
12		NM6060001SE		NUT M6				*		2	
13		SM8063012TR		SCREW M6 L=30				*		2	
14		NS6110310SP		NUT 11/64-40						2	
15		RE1000000K0		E-RING 10						1	
16		SD0500803TP		HINGESCREW D=5H=8						2	
17		40082078		SHOULDER SCREW D=7.24 H=3.3						2	
18		NM6060001SE		NUT M6						2	
19		SD1000406TP		SHOULDER SCREW						1	
20		SM9061853SR		SCREW M6 L=17.5						2	
21		NM6050001SD		NUT M5X0.8						1	
22		GS1201010SH		THRUST COLLAR ASM. D=12 W=10						1	
23		23639503		SPRING						1	

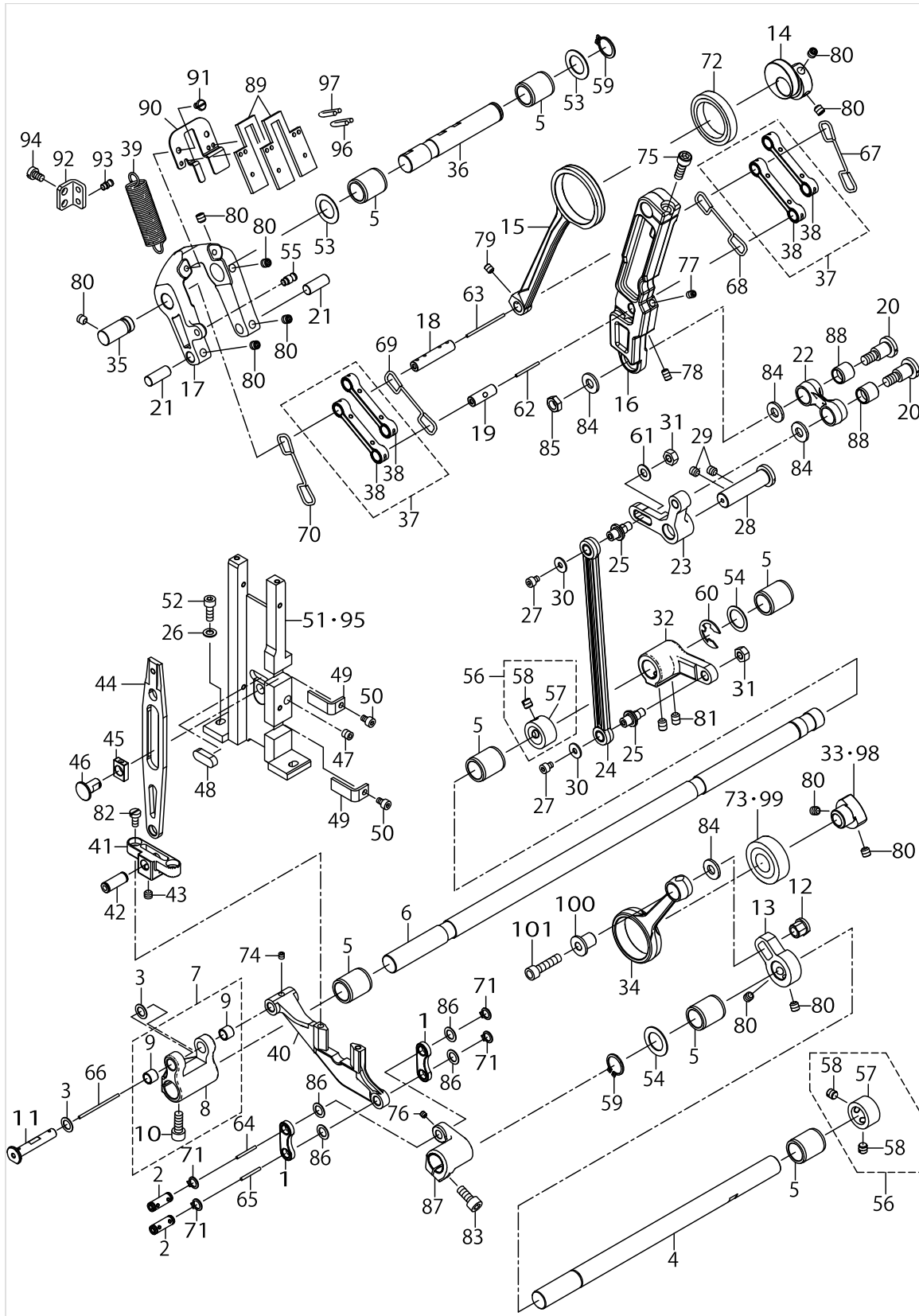
LOWER FEED COMPONENTS



LOWER FEED COMPONENTS

No.	Supply Code	Parts No.	Replacement	Parts name	Remarks	Choice	Step	Level	Cons	Qty	Rep. QTY
1		40130013		VERTICAL_LINK						2	
2		10718906		VERTICAL FEED LINK SHAFT						2	
3		WP0740516SP		WASHER 7.4X11.8X0.5						2	
4		40123667		VERTICAL_FEED_LINK						1	
5		22913008		FEED ROCKER SHAFT BUSHING						7	
6		40126386		HORIZONTAL_FEED_SHAFT						1	
7		40130011		FEED_BASE_ARM_ASM.						1	
8		40130010		FEED_BASE_ARM				*		1	
9		40126163		FEED_BASE_ARM_BUSH				*		2	
10		SM6051402TP		SCREW M5X0.8 L=14				*		1	
11		40112098		FEED_BASE_SHAFT						1	
12		40154832		VERTICAL_FEED_ROD_NUT						1	
13		40125843		VERTICAL_FEED_ARM_REAR						1	
14		40123626		HORIZONTAL_FEED_CAM						1	
15		40126151		HORIZONTAL_FEED_ROD						1	
16		40123547		NEEDLE_BAR_ROCKING_LINK						1	
17		40137553		HORIZONTAL_FEED_CHANGE_BASE						1	
18		40112118		FEED_ROD_PIN						1	
19		40123634		ROCKING_LINK_PIN						1	
20		SD1021251SP		SHOULDER SCREW D=10.2 H=12.5						2	
21		40126375		FEED_ADJUSTING_PIN_A						2	
22		40125856		CONNECTION_LINK						1	
23		40130007		LOWER_FEED_CONN- ECTING_TRIANGLE						1	
24		40131952		CONNECTING_ROD_ASSY						1	
25		40130409		FEED_ROCK_SHAFT_HINGE_SCREW						2	
26		WP0550800SP		WASHER 5.5X10X0.8						2	
27		SM6040502TP		SCREW M4X0.7 L=5						2	
28		26228304		REGULATING LEVER STUD						1	
29		SM8060612TP		SCREW M6 L=6						2	
30		WP0431005SP		PLAIN WASHER						2	
31		NM6060001CP		NUT M6X1 TYPE1						2	
32		40130009		HORIZONTAL_FEED_ARM						1	
33		40123627		VERTICAL_FEED_CAM	FOR PLC-- 2710,2710-- 7,2760, 2760-7,2765					1	
34		40125857		VERTICAL_FEED_ROD						1	
35		40123639		HF_CHANGE_BASE_SUPPORT_PIN						1	
36		40123332		CHANGE_BASE_SHAFT						1	
37		40126339		CONNECTION_LINK_ASM.						2	
38	R	40123252	40126339	CONNECTION_LINK				*		2	1.00
39		40126401		SPRING_B						1	
40		40131954		FEED BASE						1	
41		40130012		FEED_LEVER_SUPPORT						1	
42		10714103		CONNECTION LINK PIN A						1	
43		SM8060552TP		SCREW M6 L=5						1	
44		40130016		FEED_LEVER						1	
45		40130017		SLIDE_BLOCK						1	

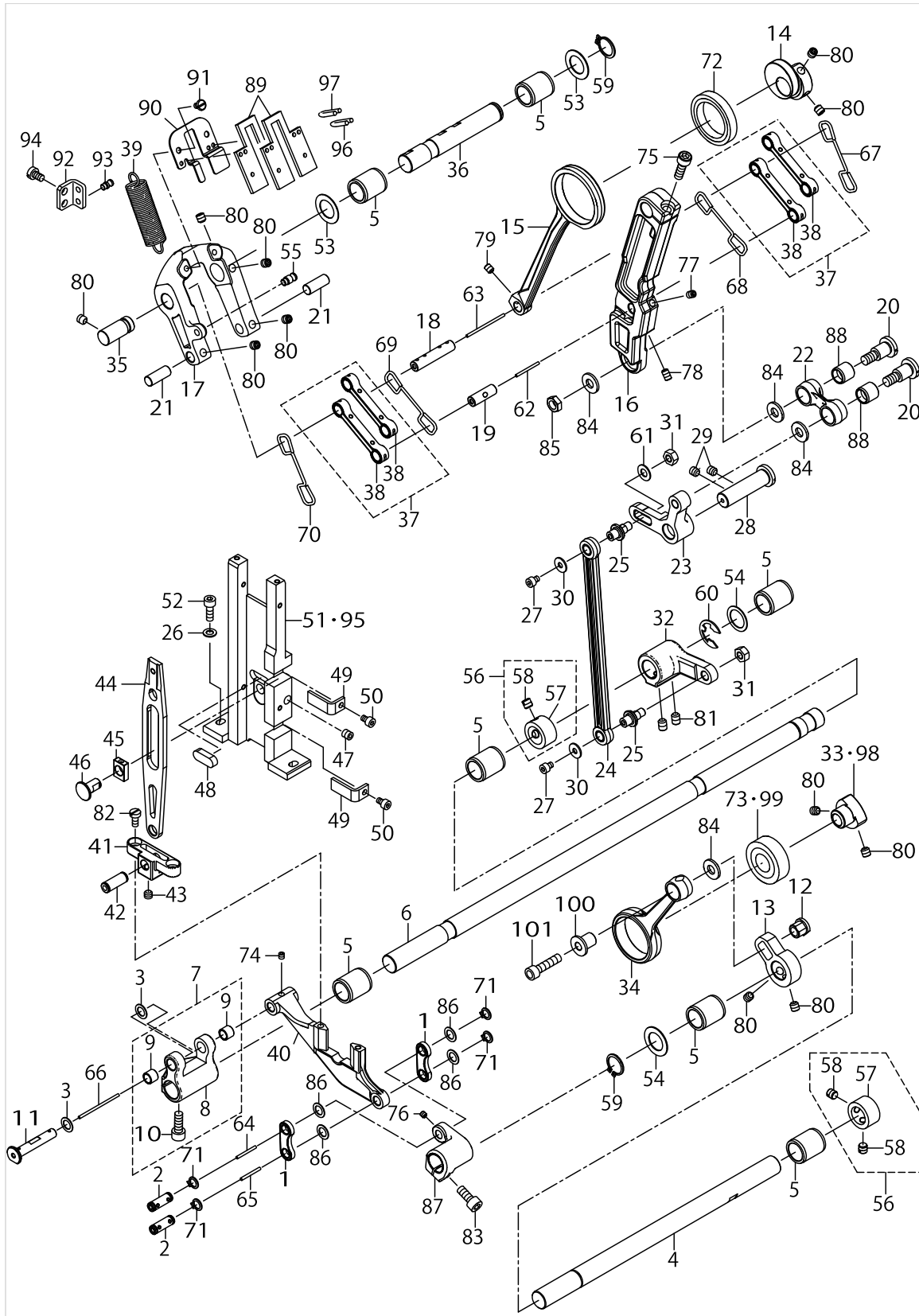
LOWER FEED COMPONENTS



LOWER FEED COMPONENTS

No.	Supply Code	Parts No.	Replacement	Parts name	Remarks	Choice	Step	Level	Cons	Qty	Rep. QTY
46	R	10714608	40052263	CONNECTION LINK B SUPPORT PIN						1	1.00
47		SM8060612TP		SCREW M6 L=6						1	
48		40130018		FELT						1	
49		23036304		FEED LEVER SUPPORT						2	
50		SS6090612TP		SCREW 9/64-40 L=6						2	
51		40130014		FEED_LEVER_BASE_2710	FOR PLC-- 2710,2710-7					1	
52		SM6051402TP		SCREW M5X0.8 L=14						2	
53		D1231555B00		WASHER						2	
54		B125578100A		WASHER A						2	
55		40038494		THREAD_BIND_ARM_SPRING RAC						1	
56		22904155		MAIN SHAFT THRU-ST COLLAR ASM.						2	
57	R	22904106	22904155	MAIN SHAFT THRUST COLLAR				*		1	1.00
58		SS8660610TP		SCREW 1/4-40 L=6				*		2	
59		RC0150001KP		C-RING 15 (13.8)						2	
60		RE1200000K0		E-RING 12						1	
61		WP0650876SD		WASHER 6.5X13X0.8						1	
62		CQ202000000		COTTON OIL WICK D=2						.02	
63		CQ202000000		COTTON OIL WICK D=2						.042	
64		CQ202000000		COTTON OIL WICK D=2						.024	
65		CQ202000000		COTTON OIL WICK D=2						.024	
66		CQ202000000		COTTON OIL WICK D=2						.04	
67		CQ202000000		COTTON OIL WICK D=2						.3	
68		CQ202000000		COTTON OIL WICK D=2						.3	
69		CQ202000000		COTTON OIL WICK D=2						.3	
70		CQ202000000		COTTON OIL WICK D=2						.3	
71		RC0650811KP		C-RING 7 (6.5)						4	
72		SB130000200		BEARING						1	
73		SB115000200		BEARING	FOR PLC-- 2710,2710-- 7,2760, 2760-7,2765					1	
74		SS8110422TP		SCREW 11/64-40 L=4						1	
75		SM6061802TP		SCREW M6 L=18						1	
76		SM8040412TP		SCREW M4X4						2	
77		SM8050842TP		SETSCREW						1	
78		SM8050812TP		SCREW M5X8						1	
79		SM8050612TP		SCREW M5X6						1	
80		SM8060612TP		SCREW M6 L=6						12	
81		SM8060812TP		SCREW M6 L=8						2	
82		SS6111010TP		SCREW 11/64-40 L=9.5						2	
83		SM6061402TP		SCREW M6 L=14						1	
84		26018705		WASHER						4	
85		NS6680410SP		HEXAGONAL NUT 9/32-28						1	
86		WP0740516SP		WASHER 7.4X11.8X0.5						4	
87		40125935		VERTICAL_FEED_ARM_FRONT						1	
88		40126359		VERTICAL_FEED_ROD_BUSH						2	
89		40123345		FELT						1	

LOWER FEED COMPONENTS

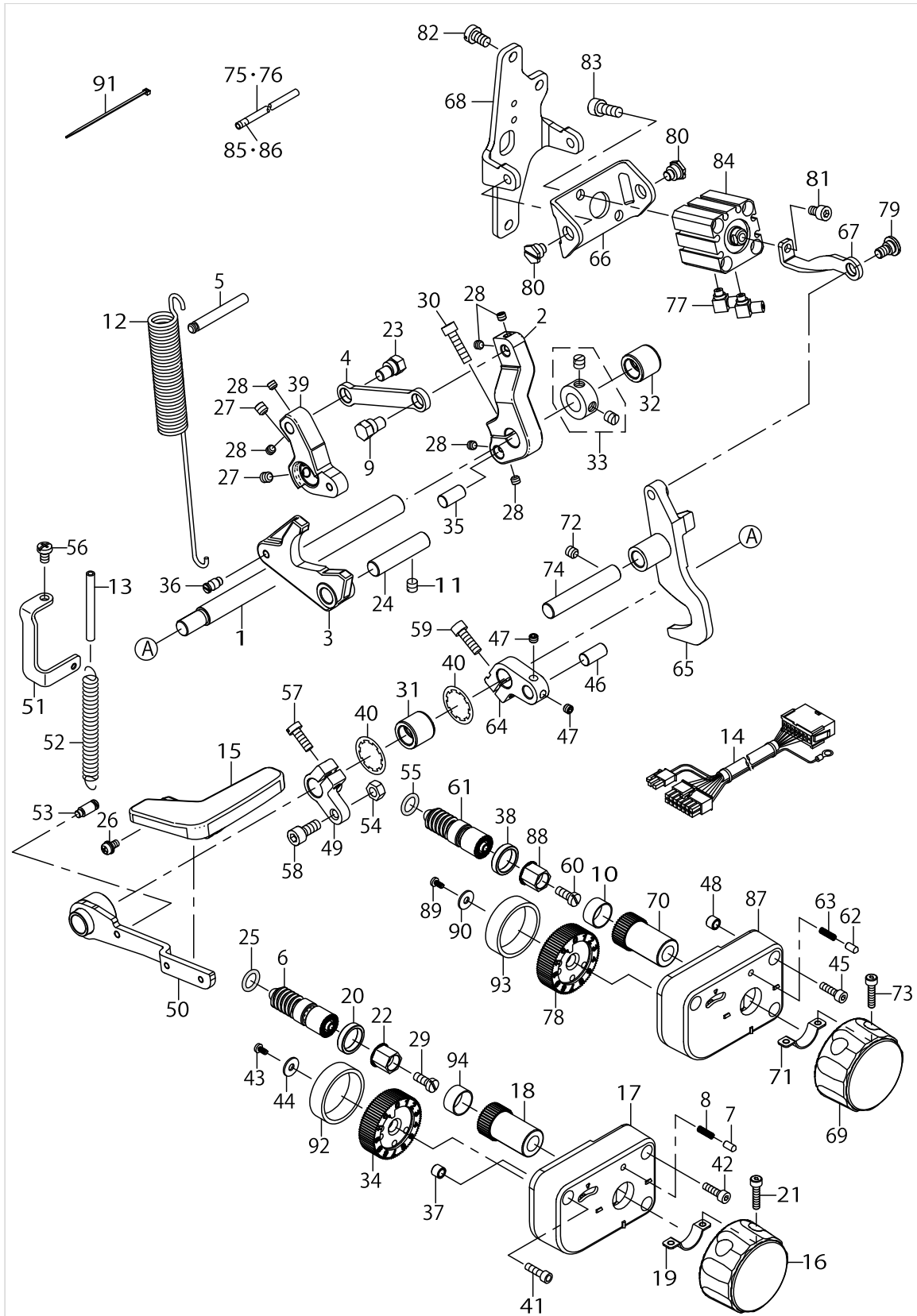


LOWER FEED COMPONENTS

No.	Supply Code	Parts No.	Replacement	Parts name	Remarks	Choice	Step	Level	Cons	Qty	Rep. QTY
90		40137554		FELT HOLDER						1	
91		SM6040650TP		SCREW						2	
92		40137779		SUPPORT PLATE						1	
93		40137780		SPRING RAC						1	
94		SM6050800SP		SCREW M5 L=8						2	
95		40130015		FEED_LEVER_BASE_2760	FOR PLC-- 2760,2760-- 7,2760L, 2765					1	
96		CQ202000000		OIL WICK						.05	
97		CQ202000000		OIL WICK						.05	
98		40134534		V_FEED_CAM_2.0	FOR PLC-2760L					1	
99		SB117000700		BEARING	FOR PLC-2760L					1	
100		40154833		VERTICAL_FEED_COLLAR						1	
101		SM6062502TP		SCREW M6 L=25						1	



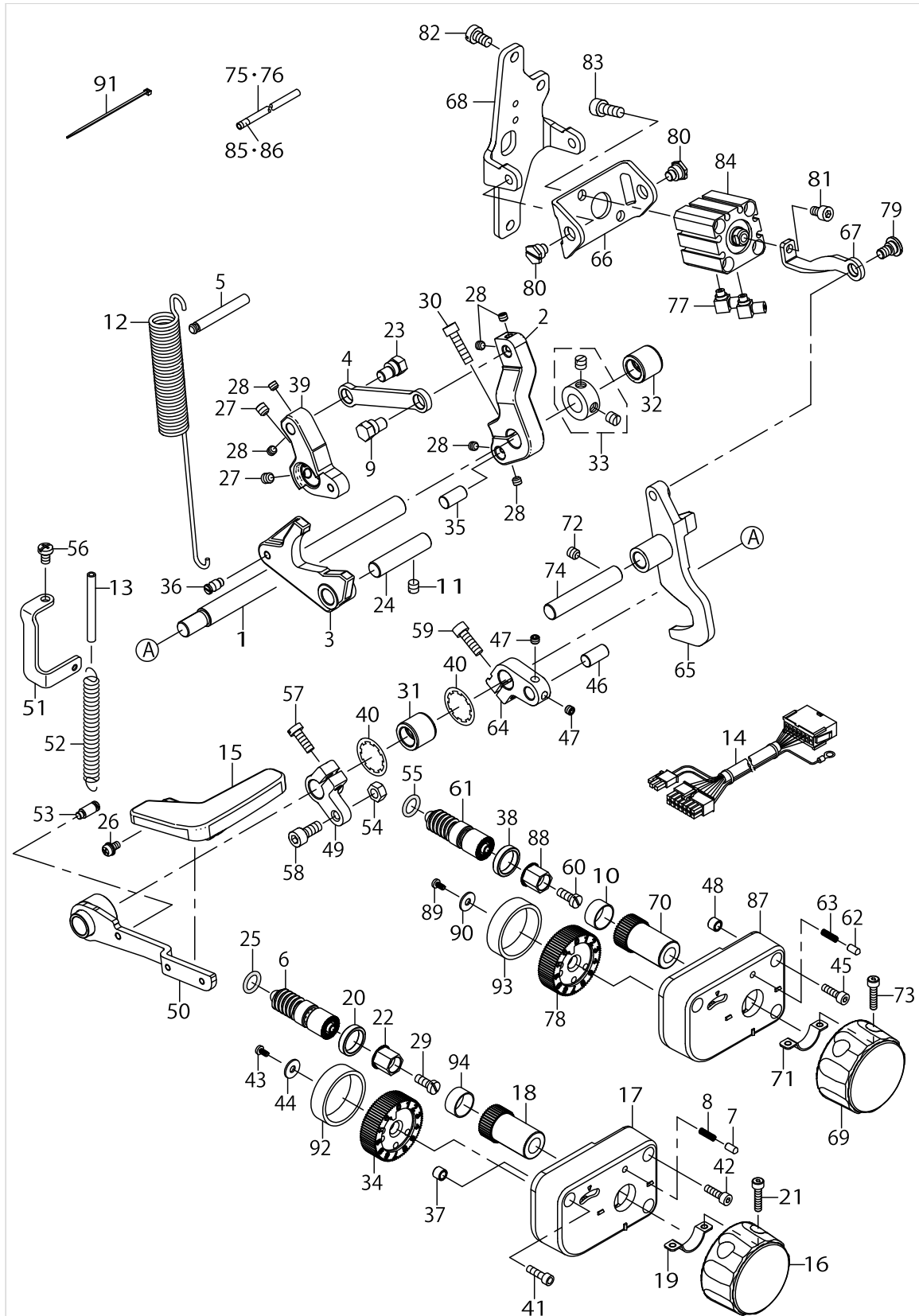
FEED ADJUST COMPONENTS



FEED ADJUST COMPONENTS

No.	Supply Code	Parts No.	Replacement	Parts name	Remarks	Choice	Step	Level	Cons	Qty	Rep. QTY
1		40126363		BACKWARD_FEED_LEVER_SHAFT						1	
2		40129986		FEED_ADJUSTING_PIN_HOLDER_A						1	
3		40129984		ADJUSTING_BASE_A						1	
4		40129988		FEED_ADJUSTING_LINK						1	
5		40134528		SPRINGSUSPENSION						1	
6		22911804		FEED REGULATOR SCREW						1	
7		10715704		VERTICAL DIAL PIN					☆	1	
8		B152652700G		SPRING						1	
9		23613409		FEED ADJUSTING PIN						1	
10		40137613		DIAL PLATE BUSH	FOR PLC-- 2710-7,2760-7					1	
11		SM8060612TP		SCREW M6 L=6						1	
12		40134105		FEED_ADJUSTING_BASE_SPRING						1	
13		23630007		TUBE						.08	
14		40139455		SOLENOID RELAY CABLE ASM.	FOR PLC-- 2710,2760,- 2760L, 276- 5(WITH AK) PLC-2710,- 2760,2760L, 2765(WITH AK,BT,DL)					1	
15		40126116		REVERSE_FEED_LEVER_DRAFT						1	
16		40130004		FEED_DIAL_KNOB					☆	1	
17		40130001		FEED_DIAL_COVER_A						1	
18		40130003		FEED_DIAL_GEAR						1	
19		40130005		FEED_DIAL_SUPPORT_PLATE						1	
20		40133826		SPACER						1	
21		SM6041802TP		SCREW M4 L=18						2	
22		40130006		HEXA_SHAFT						1	
23		23613409		FEED ADJUSTING PIN						1	
24		40033825		HEAD_FIXED_SHAFT						1	
25		RO092270200		O-RING					☆	1	
26		SL4040881SC		SCREW M4 L=8						2	
27		SM8060612TP		SCREW M6 L=6						2	
28		SM8050412TP		SCREW M5 L=4						6	
29		SS6121210SP		SCREW 3/16-28 L=12						1	
30		SM6052002TP		SCREW M5X0.8 L=20						1	
31		13424502		BUSHING FRONT						1	
32		40086018		BUSHING_MAIN_FEED						1	
33		CS1201010SH		THRUST COLLAR ASM. D=12 W=10						1	
34		40132118		FEED_DIAL_PLATE_A						1	
35		40134959		FEED ADJUSTING PIN A						1	
36		40137780		SPRING RAC						1	
37		B4122804000		ROLLER						1	
38		40133826		SPACER	FOR PLC-- 2710-7,2760-7					1	
39		40130412		FEED_ADJUSTING_ARM_BT						1	
40		WT1780011KP		TOOTHEDWASHER18						2	
41		SM6041402TP		SCREW M4 L=14						1	

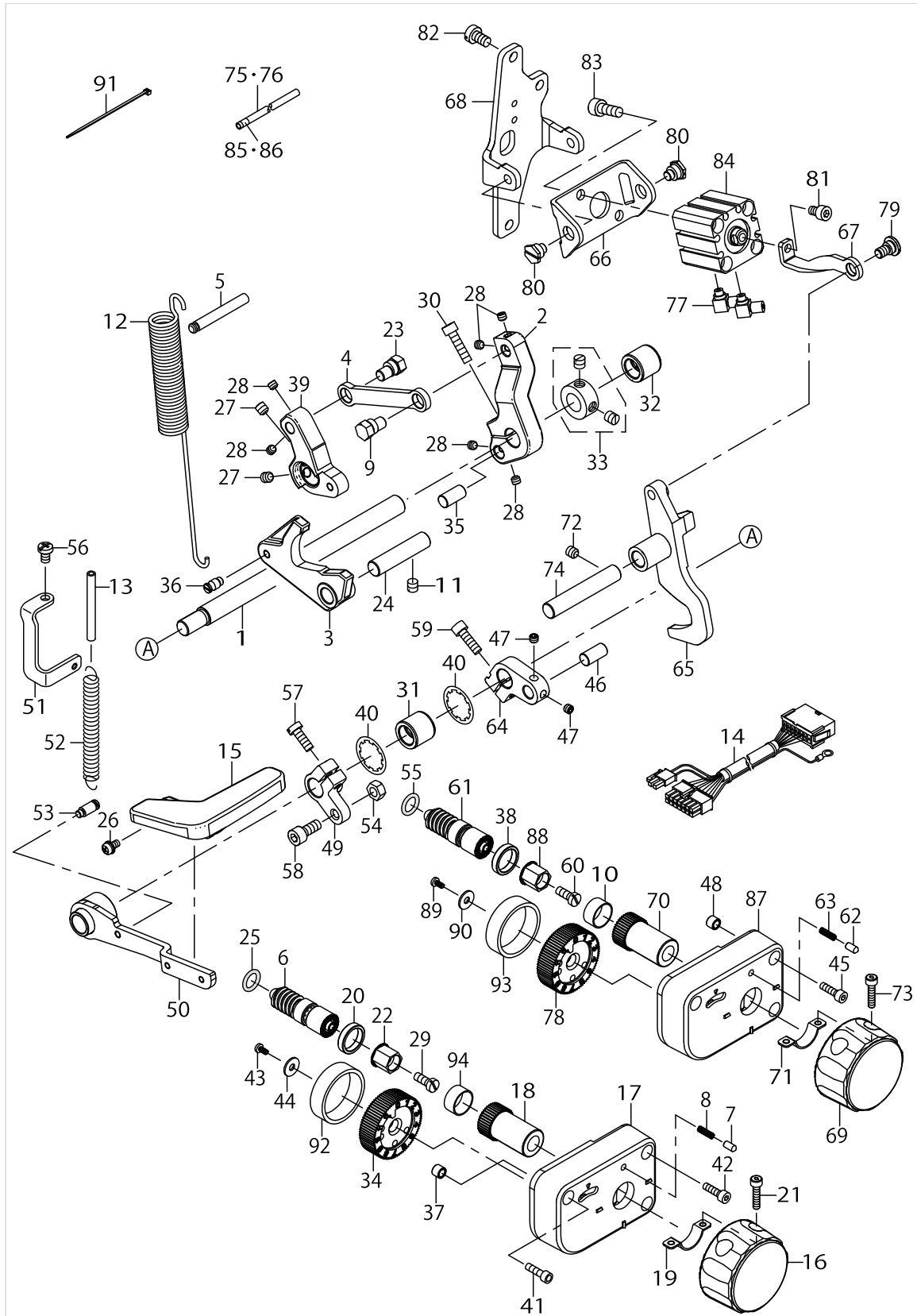
# FEED ADJUST COMPONENTS



FEED ADJUST COMPONENTS

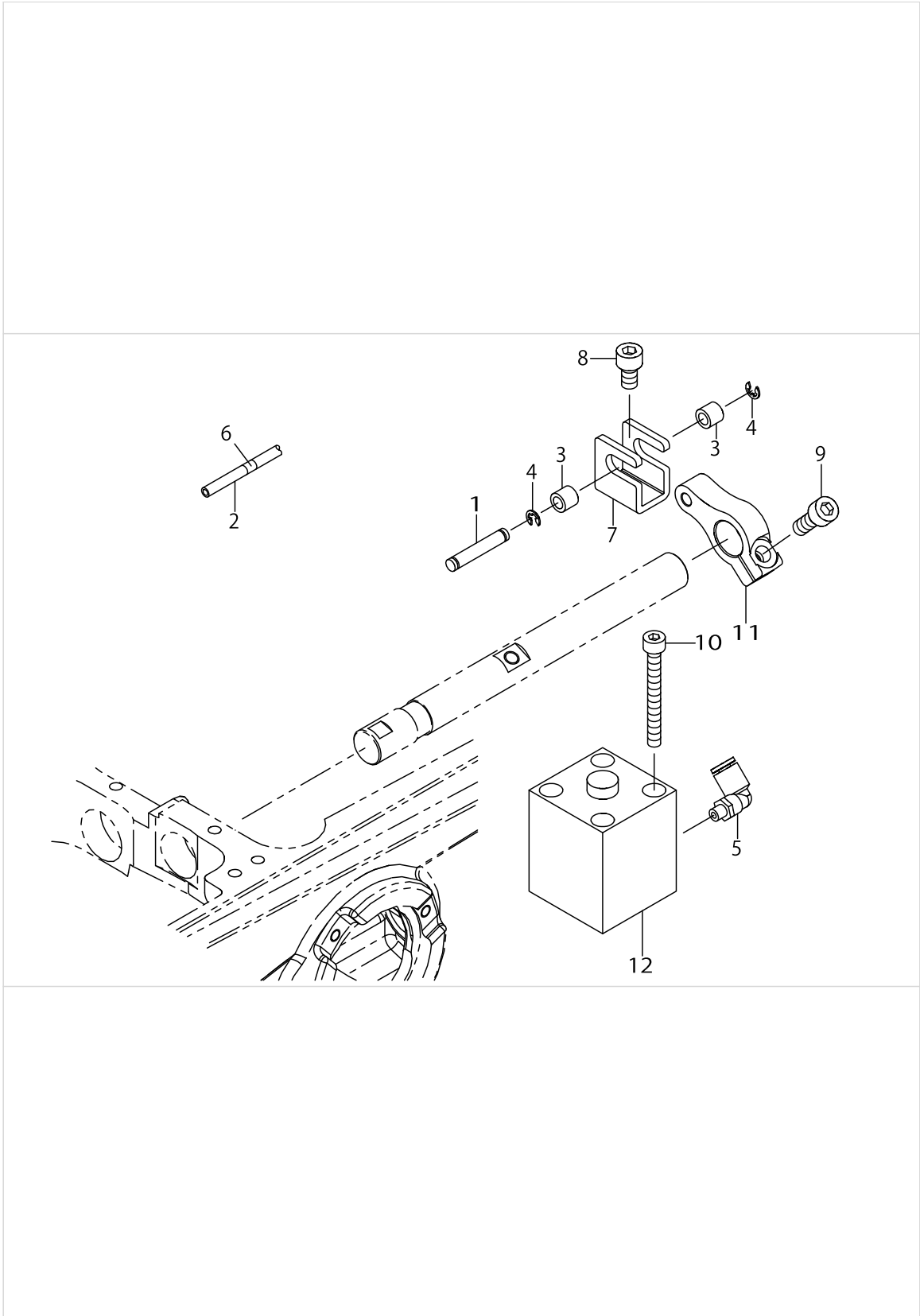
No.	Supply Code	Parts No.	Replacement	Parts name	Remarks	Choice	Step	Level	Cons	Qty	Rep. QTY
42		SM6040802TP		SCREW M4X0.7 L=8						2	
43		40130820		SCREW						1	
44		WP0431005SP		PLAIN WASHER						1	
45		SM6041402TP		SCREW M4 L=14	FOR PLC-- 2710-7,2760-7					3	
46		40131887		FEED_ADJUSTING_PIN	FOR PLC-- 2710-7,2760-7					1	
47		SM8050412TP		SCREW M5 L=4	FOR PLC-- 2710-7,2760-7					2	
48		B4122804000		ROLLER	FOR PLC-- 2710-7,2760-7					3	
49		40112127		BACKWARD_FEED_C- ONNECTING_ARM	FOR PLC-- 2710-7,2760-7					1	
50		40129991		REVERSE_FEED_LEVER_ASM	FOR PLC-- 2710-7,2760-7					1	
51		40125864		REVERSE_FEED_LE- VER_SPRING_HOOK	FOR PLC-- 2710-7,2760-7					1	
52		D2629M1YC0F		SPRING	FOR PLC-- 2710-7,2760-7					1	
53		26229302		SUSPENSION SCREW	FOR PLC-- 2710-7,2760-7					1	
54		NM6050001SD		NUT M5X0.8 TYPE1	FOR PLC-- 2710-7,2760-7					1	
55		RO092270200		O-RING	FOR PLC-- 2710-7,2760-7				☆	1	
56		SM4050855SP		SCREW	FOR PLC-- 2710-7,2760-7					1	
57		SM6051400SP		SCREW	FOR PLC-- 2710-7,2760-7					1	
58		SM6051202TP		SCREW M5X0.8 L=12	FOR PLC-- 2710-7,2760-7					1	
59		SM6051602TP		SCREW M5X0.8 L=16	FOR PLC-- 2710-7,2760-7					1	
60		SS6121210SP		SCREW 3/16-28 L=12	FOR PLC-- 2710-7,2760-7					1	
61		22911804		FEED REGULATOR SCREW	FOR PLC-- 2710-7,2760-7					1	
62		10715704		VERTICAL DIAL PIN	FOR PLC-- 2710-7,2760-7				☆	1	
63		B152652700G		SPRING	FOR PLC-- 2710-7,2760-7					1	
64		40125858		FEED_ADJUSTING_PIN_HOLDER_B	FOR PLC-- 2710-7,2760-7					1	
65		40129985		ADJUSTING_BASE_B	FOR PLC-- 2710-7,2760-7					1	
66		40126642		CYLINDER_BASE_A	FOR PLC-- 2710-7,2760-7					1	
67		40129999		CYLINDER_JOINT_B	FOR PLC-- 2710-7,2760-7					1	
68		40126643		CYLINDER_BASE_B	FOR PLC-- 2710-7,2760-7					1	
69		40130004		FEED_DIAL_KNOB	FOR PLC-- 2710-7,2760-7				☆	1	
70		40130003		FEED_DIAL_GEAR	FOR PLC-- 2710-7,2760-7					1	
71		40130005		FEED_DIAL_SUPPORT_PLATE	FOR PLC-- 2710-7,2760-7					1	
72		SM8060612TP		SCREW M6 L=6	FOR PLC-- 2710-7,2760-7					1	
73		SM6041802TP		SCREW M4 L=18	FOR PLC-- 2710-7,2760-7					2	
74		40077931		PRESSURE_LOWERING_SHAFT	FOR PLC-- 2710-7,2760-7					1	
75		BT0400251EB		URETHANE TUBE BLACK 4X2.5	FOR PLC-- 2710-7,2760-7					.36	
76		BT0400251EB		URETHANE TUBE BLACK 4X2.5	FOR PLC-- 2710-7,2760-7					.36	

# FEED ADJUST COMPONENTS



FEED ADJUST COMPONENTS

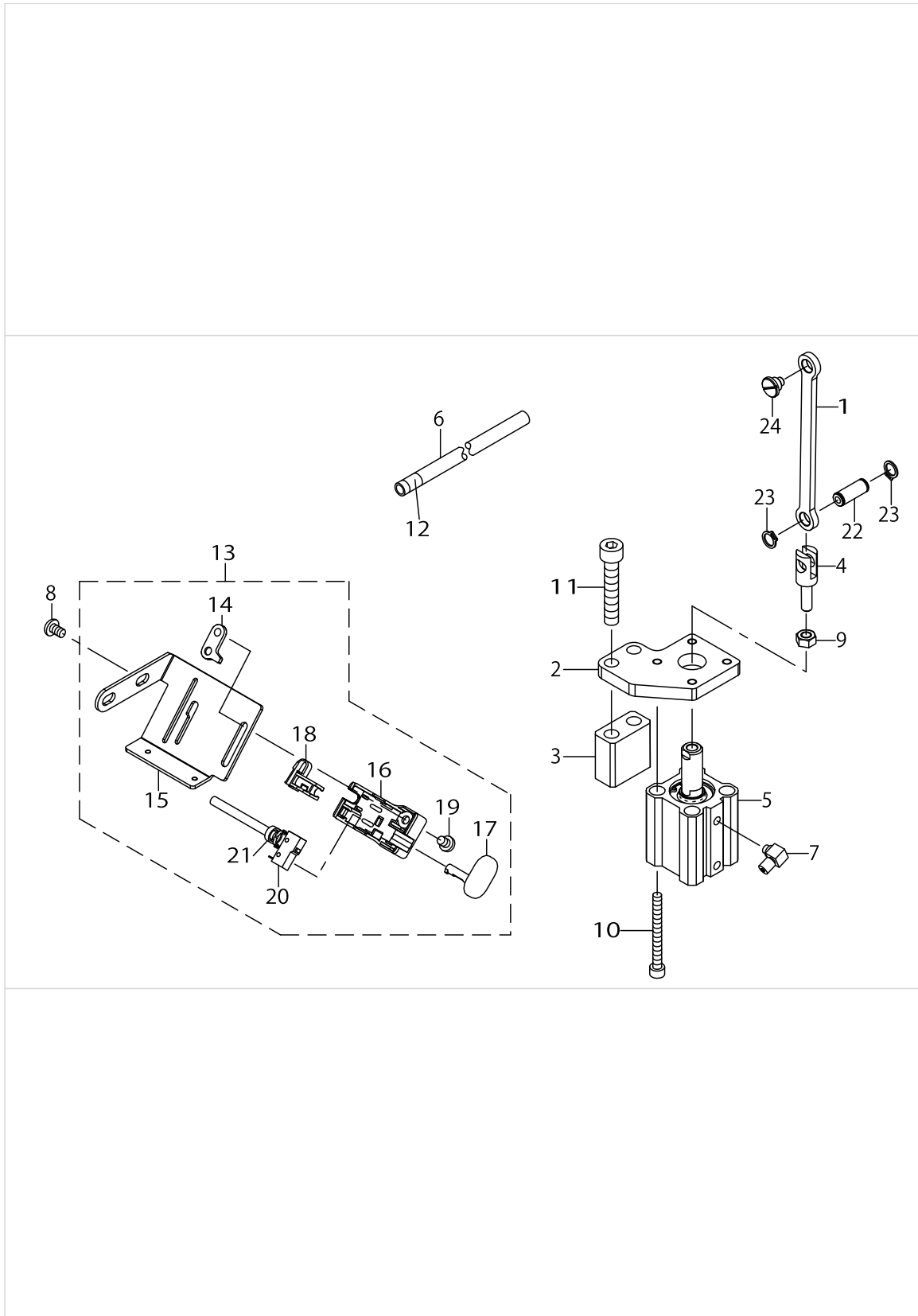
No.	Supply Code	Parts No.	Replacement	Parts name	Remarks	Choice	Step	Level	Cons	Qty	Rep. QTY
77		PJ046052503		HOSE ELBOW	FOR PLC-- 2710-7,2760-7					2	
78		40132118		FEED_DIAL_PLATE_A	FOR PLC-- 2710-7,2760-7					1	
79		SD0800346TP		SHOULDER SCREW D=8 H=3.4	FOR PLC-- 2710-7,2760-7					1	
80		SD0900426TP		SHOULDER SCREW D=9 H=4.2	FOR PLC-- 2710-7,2760-7					2	
81		SM6050802TP		SCREW M5X0.8 L=8	FOR PLC-- 2710-7,2760-7					1	
82		SM6061010TP		SCREW M6 L=10	FOR PLC-- 2710-7,2760-7					3	
83		SM6061602TP		SCREW M6 L=16	FOR PLC-- 2710-7,2760-7					2	
84		PA200150900		AIR CYLINDER	FOR PLC-- 2710-7,2760-7					1	
85		18035006		CABLE MARK NO.1	FOR PLC-- 2710-7,2760-7					2	
86		18035105		WIRE MARK (2)	FOR PLC-- 2710-7,2760-7					2	
87		40130819		FEED_DIAL_COVER_B	FOR PLC-- 2710-7,2760-7					1	
88		40130006		HEXA_SHAFT	FOR PLC-- 2710-7,2760-7					1	
89		40130820		SCREW	FOR PLC-- 2710-7,2760-7					2	
90		WP0431005SP		PLAIN WASHER	FOR PLC-- 2710-7,2760-7					2	
91		EA9500B0100		CABLE BAND	FOR PLC-- 2710-7,2760-7					2	
92		40137612		DIAL PLATE BUSH						1	
93		40137612		DIAL PLATE BUSH	FOR PLC-- 2710-7,2760-7					1	
94		40137613		DIAL PLATE BUSH						1	



## DL COMPONENTS(FOR PLC-2710-7,2760-7,2710(WITH AK,BT,DL),2760(WITH AK,BT,DL),2760L(WITH AK,BT,DL),2765(WITH A

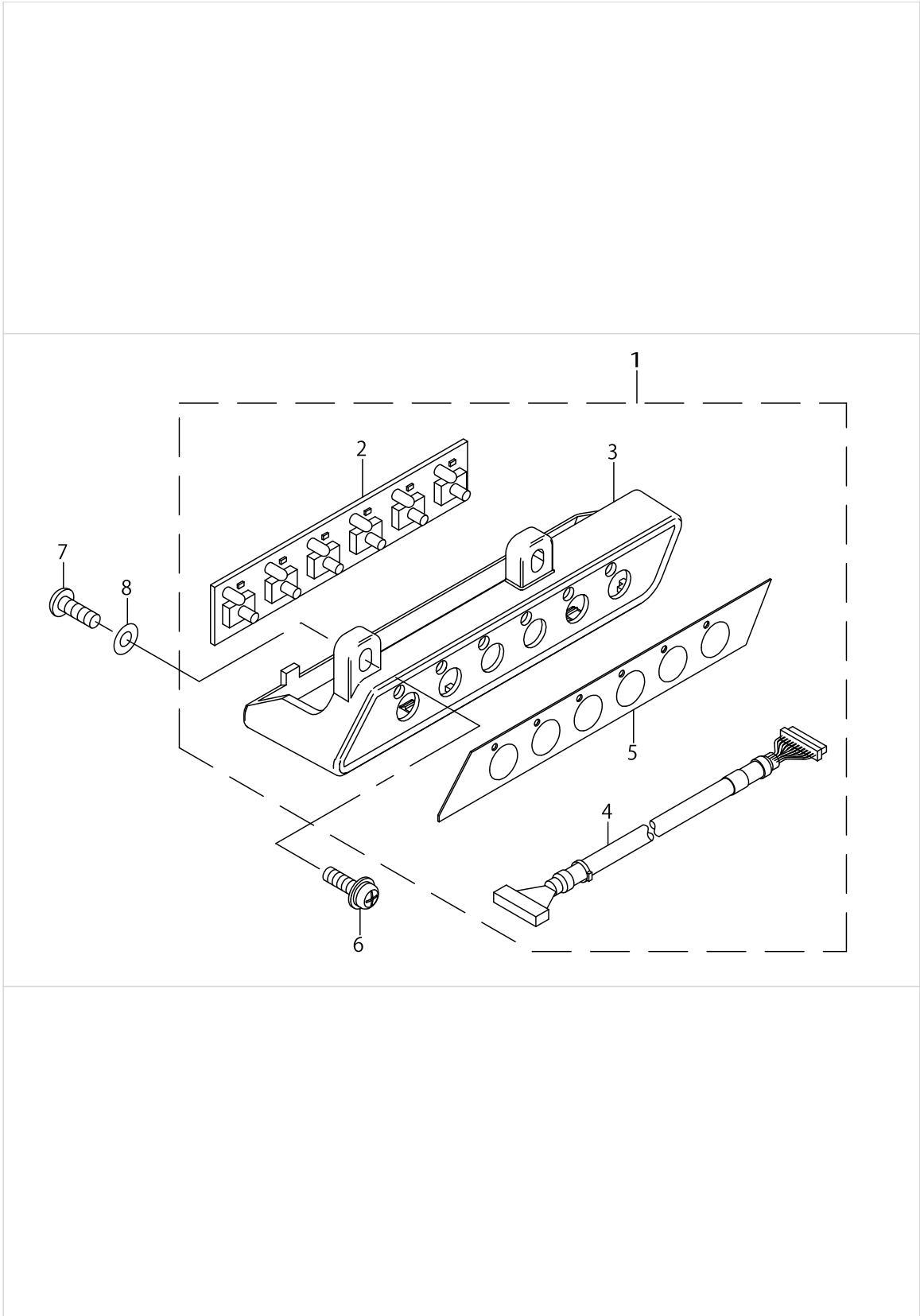
No.	Supply Code	Parts No.	Replacement	Parts name	Remarks	Choice	Step	Level	Cons	Qty	Rep. QTY
1		B1504210000		CONNECTING SHAFT						1	
2		BT0400251EB		URETHANE HOSE BLACK						.58	
3		B3031141H00		CONNECTING STUD						2	
4		RE0320000K0		E-RING 3.2						2	
5		PJ304040504		ELBOW UNION						1	
6		18035501		WIRE MARK (6)						2	
7		40112191		KNUCKLE_JOINT_B						1	
8		SM6061002TP		SCREW M6 L=10						1	
9		SM6061602TP		SCREW M6 L=16						1	
10		SM6054502TP		SCREW M5X0.8 L=45						2	
11		40112192		TERTICAL_CYLINDER_ARM						1	
12		PA250250900		AIR CYLINDER						1	





AUTO BT COMPONENTS(FOR PLC-2710-7,2760-7,2710(WITH AK,BT,DL),2760(WITH AK,BT,DL),2760L(WITH AK,BT,DL),2765

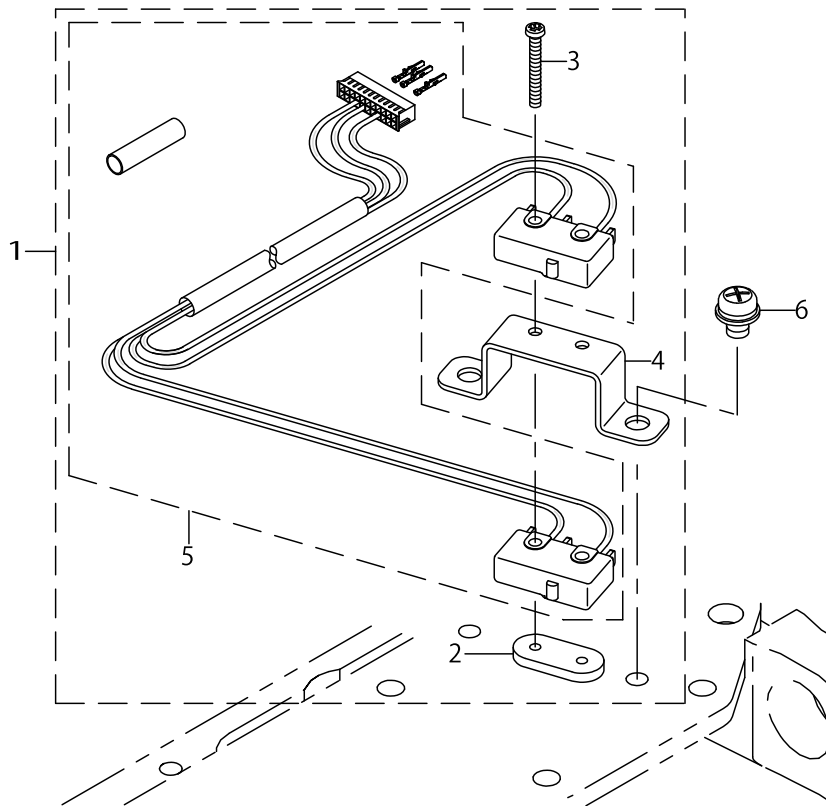
No.	Supply Code	Parts No.	Replacement	Parts name	Remarks	Choice	Step	Level	Cons	Qty	Rep. QTY
1		40130413		BT_LINK						1	
2		40130024		BT_CYLINDER_PLATE						1	
3		40130414		BT_CYLINDER_BLOCK						1	
4		40052254		CYLINDER KNUCKLE JOINT						1	
5		PA250250900		AIR CYLINDER						1	
6		BT0400251EB		URETHANE TUBE BLACK 4X2.5						.27	
7		PJ046052503		HOSE ELBOW						1	
8		SM4050855SP		SCREW						2	
9		NM6060001CP		NUT M6X1 TYPE1						1	
10		SM6055002TP		SCREW M5 L=50						4	
11		SM6084502TP		SCREW M8 L=45						2	
12		18035709		WIRE MARK (8)						2	
13		40130285		TB_SWITCH_ASSY						1	
14		23632102		REVERSE FEED SWITCH BASE GUIDE				*		1	
15		40112213		TB_SW_MOUNTING_PLATE				*		1	
16		23631708		REVERSE FEED SWITCH COVER				*		1	
17		23631807		REVERSE FEED SWITCH SHAFT				*		1	
18		23631906		REVERSE FEED SWITCH SUPPORT				*		1	
19		SS7110740TP		SCREW 11/64-40 L=7				*		1	
20		40130286		REVERSE FEED CORD ASM				*		1	
21		EA9500B0100		CABLE BAND				*		1	
22		10714103		CONNECTION LINK PIN A						1	
23		RC0740811KP		C-RING 8 (7.4)						2	
24		SD0800406TP		SHOULDER SCREW D=8 H=4						1	



6-RANGE SW COMPONENTS(FOR PLC-2710-7,2760-7,2710(WITH AK,BT,DL),2760(WITH AK,BT,DL),2760L(WITH AK,BT,DL),2

No.	Supply Code	Parts No.	Replacement	Parts name	Remarks	Choice	Step	Level	Cons	Qty	Rep. QTY
1		40130287		6RANGE SWITCH ASM						1	
2		40105510		6RANGE SWITCH PCB ASSY				*		1	
3	R	40112215	40105508	6RANGE_SWITCH_COVER		A	LU2800	*		1	1.00
3	R	40112215	40130287	6RANGE_SWITCH_COVER		B	PLC2700	*		1	1.00
4		40130288		6RANGE SWITCH CABLE ASM.				*		1	
5		40112216		PANEL SHEET				*		1	
6		SL4041491SC		SCREW 4X14	FOR PLC-- 2710-7,276- 0-7, 2710(- WITH AK,B- T,DL), 276- 0(WITH AK,BT,DL)					2	
7		SM4041201SC		SCREW M4 L=12	FOR PLC-- 2765(WITH AK,BT,DL)					2	
8		WP0430801SC		WASHER M4	FOR PLC-- 2765(WITH AK,BT,DL)					2	

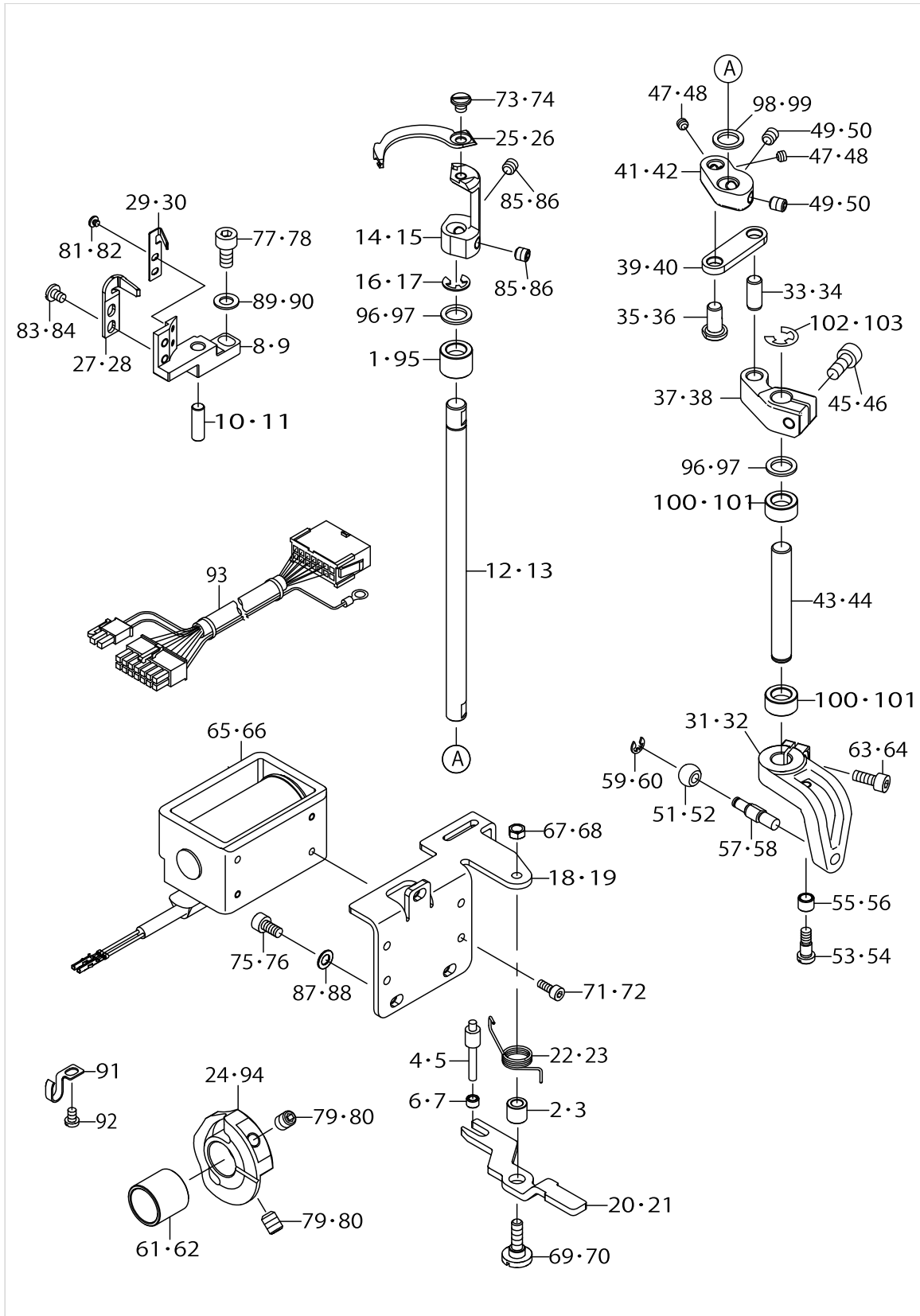
SPEED ADJUST COMPONENTS(FOR PLC-2710-7,2760-7)



SPEED ADJUST COMPONENTS(FOR PLC-2710-7,2760-7)

No.	Supply Code	Parts No.	Replacement	Parts name	Remarks	Choice	Step	Level	Cons	Qty	Rep. QTY
1		40130289		VERTICAL_DETECT-OR_SWITCH_ASM.						1	
2	R	23638406	23638059	SAFETY SWITCH NUT				*		1	1.00
3	D	SM4021601SN		SCREW M2 L=16				*		2	
4		40126259		SENSOR_BRACKET				*		1	
5	R	40130290	40130289	SPEED CONTROL CORD ASM.				*		1	1.00
6		SL4040691SC		SCREW M4 L=6						2	

THREAD CUTTING COMPONENTS(FOR PLC-2710-7,2760-7)

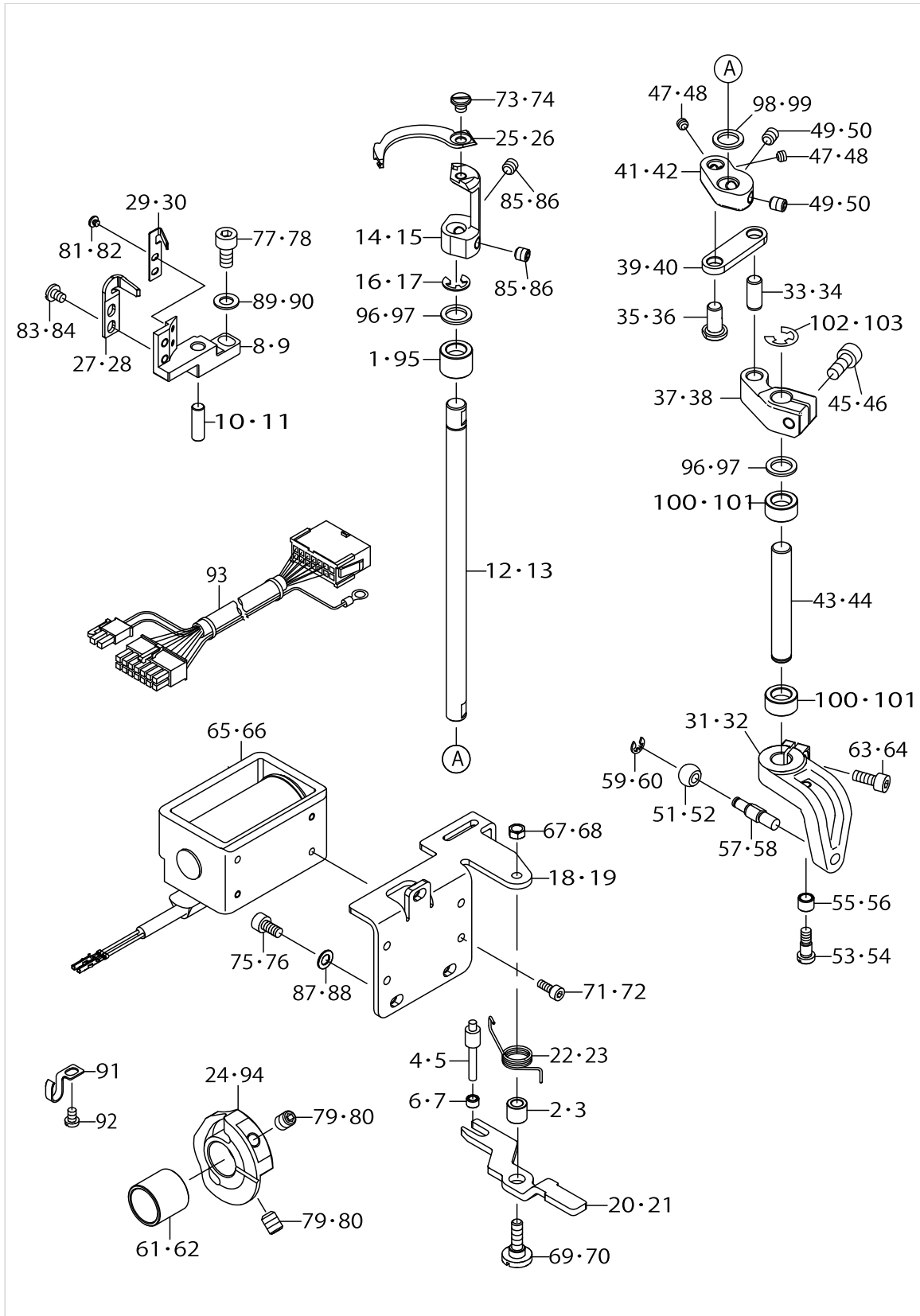


THREAD CUTTING COMPONENTS(FOR PLC-2710-7,2760-7)

No.	Supply Code	Parts No.	Replacement	Parts name	Remarks	Choice	Step	Level	Cons	Qty	Rep. QTY
1		40138044		BEARING						1	
2		22956205		WIPER HINGE SCREW COLLAR	FOR PLC-2710-7					1	
3		22956205		WIPER HINGE SCREW COLLAR	FOR PLC-2760-7					2	
4		22957104		WIPER SOLENOID SHAFT	FOR PLC-2710-7					1	
5		22957104		WIPER SOLENOID SHAFT	FOR PLC-2760-7					2	
6		22957203		WIPER LINK COLLAR	FOR PLC-2710-7					1	
7		22957203		WIPER LINK COLLAR	FOR PLC-2760-7					2	
8		40130057		F_KNIFE_BASE	FOR PLC-2710-7					1	
9		40130057		F_KNIFE_BASE	FOR PLC-2760-7					2	
10		13416508		PIN_DIFF_ADJ	FOR PLC-2710-7					1	
11		13416508		PIN_DIFF_ADJ	FOR PLC-2760-7					2	
12		40130051		M_KNIFE_SHAFT	FOR PLC-2710-7					1	
13		40130051		M_KNIFE_SHAFT	FOR PLC-2760-7					2	
14		40130049		M_KNIFE_BASE	FOR PLC-2710-7					1	
15		40130049		M_KNIFE_BASE	FOR PLC-2760-7					2	
16		RE0500000K0		E-RING	FOR PLC-2710-7					1	
17		RE0500000K0		E-RING	FOR PLC-2760-7					2	
18		40133503		THREAD TRIMMER SOL BASE PLATE	FOR PLC-2710-7					1	
19		40133503		THREAD TRIMMER SOL BASE PLATE	FOR PLC-2760-7					2	
20		40112234		KNIFE_DRIVING_ARM_LINK	FOR PLC-2710-7					1	
21		40112234		KNIFE_DRIVING_ARM_LINK	FOR PLC-2760-7					2	
22		40112235		DRIVING_ARM_RETURN_SPRING	FOR PLC-2710-7					1	
23		40112235		DRIVING_ARM_RETURN_SPRING	FOR PLC-2760-7					2	
24		40130059		THREAD_TRIMMER_CAM_RIGHT						1	
25		40130050		MOVING_KNIFE	FOR PLC-2710-7				☆	1	
26		40130050		MOVING_KNIFE	FOR PLC-2760-7				☆	2	
27		40130056		FIXED_KNIFE	FOR PLC-2710-7				☆	1	
28		40130056		FIXED_KNIFE	FOR PLC-2760-7				☆	2	
29		40130055		CLAMP_SPRING	FOR PLC-2710-7				☆	1	
30		40130055		CLAMP_SPRING	FOR PLC-2760-7				☆	2	
31		40123248		MOVING_KNIFE_DRIVING_ARM	FOR PLC-2710-7					1	
32		40123248		MOVING_KNIFE_DRIVING_ARM	FOR PLC-2760-7					2	
33		13319405		MAIN_FEED_ROCKER_PIN	FOR PLC-2710-7					1	
34		13319405		MAIN_FEED_ROCKER_PIN	FOR PLC-2760-7					2	
35		13461504		LINK_PIN	FOR PLC-2710-7					1	
36		13461504		LINK_PIN	FOR PLC-2760-7					2	
37		40130052		M_KNIFE_ARM_A	FOR PLC-2710-7					1	
38		40130052		M_KNIFE_ARM_A	FOR PLC-2760-7					2	
39		40130053		M_KNIFE_LINK	FOR PLC-2710-7					1	
40		40130053		M_KNIFE_LINK	FOR PLC-2760-7					2	
41		40130054		M_KNIFE_ARM_B	FOR PLC-2710-7					1	
42		40130054		M_KNIFE_ARM_B	FOR PLC-2760-7					2	
43		40130058		M_KNIFE_DRIVING_SHAFT	FOR PLC-2710-7					1	
44		40130058		M_KNIFE_DRIVING_SHAFT	FOR PLC-2760-7					2	
45		SM6051202TP		SCREW M5X0.8 L=12	FOR PLC-2710-7					1	



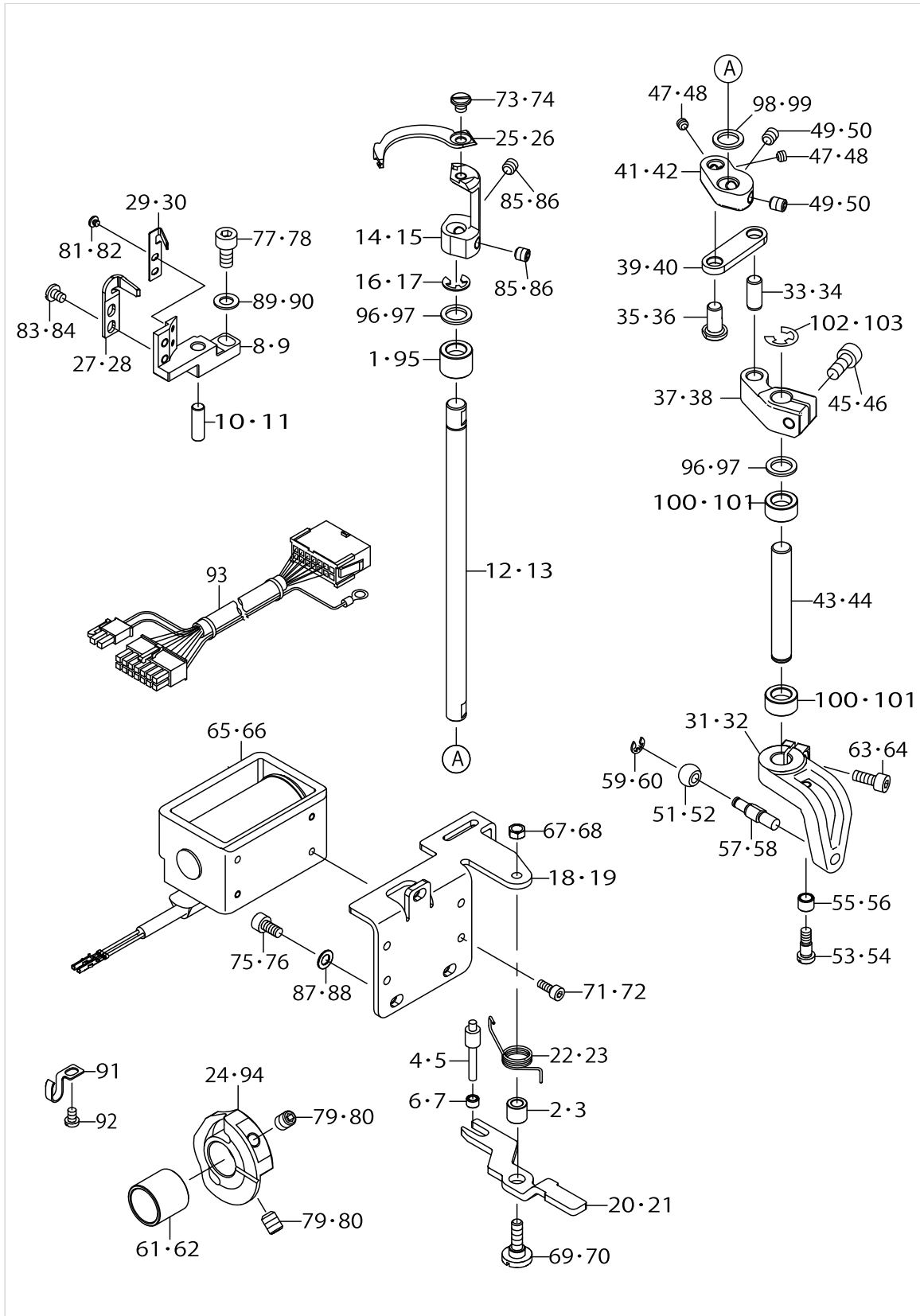
THREAD CUTTING COMPONENTS(FOR PLC-2710-7,2760-7)



THREAD CUTTING COMPONENTS(FOR PLC-2710-7,2760-7)

No.	Supply Code	Parts No.	Replacement	Parts name	Remarks	Choice	Step	Level	Cons	Qty	Rep. QTY
46		SM6051202TP		SCREW M5X0.8 L=12	FOR PLC-2760-7					2	
47		SM8040312TP		SCREW M4 L=3	FOR PLC-2710-7					2	
48		SM8040312TP		SCREW M4 L=3	FOR PLC-2760-7					4	
49		SM8050612TP		SCREW M5X6	FOR PLC-2710-7					2	
50		SM8050612TP		SCREW M5X6	FOR PLC-2760-7					4	
51		21470505		CAM ROLLER(245-7SP)	FOR PLC-2710-7					1	
52		21470505		CAM ROLLER(245-7SP)	FOR PLC-2760-7					2	
53		SD0460576TP		SHOULDER SCREW D=4.6 H=5.7	FOR PLC-2710-7					1	
54		SD0460576TP		SHOULDER SCREW D=4.6 H=5.7	FOR PLC-2760-7					2	
55		B2508047000		BLOCK ROLLER	FOR PLC-2710-7					1	
56		B2508047000		BLOCK ROLLER	FOR PLC-2760-7					2	
57		40130593		ROLLER_SHAFT	FOR PLC-2710-7					1	
58		40130593		ROLLER_SHAFT	FOR PLC-2760-7					2	
59		RE0300000K0		E-RING 3	FOR PLC-2710-7					1	
60		RE0300000K0		E-RING 3	FOR PLC-2760-7					2	
61		40130620		SPACER	FOR PLC-2710-7					1	
62		40130620		SPACER	FOR PLC-2760-7					2	
63		SM6041002TP		SCREW M4X0.7 L=10	FOR PLC-2710-7					1	
64		SM6041002TP		SCREW M4X0.7 L=10	FOR PLC-2760-7					2	
65		40137921		THREAD_TRIMMER_SOLENOID	FOR PLC-2710-7					1	
66		40137921		THREAD_TRIMMER_SOLENOID	FOR PLC-2760-7					2	
67		NS6110310SP		HEXAGONAL NUT 11/64-40	FOR PLC-2710-7					1	
68		NS6110310SP		HEXAGONAL NUT 11/64-40	FOR PLC-2760-7					2	
69		SD0650321TP		SHOULDER SCREW D=6.5 H=3.2	FOR PLC-2710-7					1	
70		SD0650321TP		SHOULDER SCREW D=6.5 H=3.2	FOR PLC-2760-7					2	
71		SM6030602TP		SCREW M3X0.5 L=6	FOR PLC-2710-7					4	
72		SM6030602TP		SCREW M3X0.5 L=6	FOR PLC-2760-7					8	
73		SS6110480SP		SCREW 11/64-40 L=4.3	FOR PLC-2710-7					1	
74		SS6110480SP		SCREW 11/64-40 L=4.3	FOR PLC-2760-7					2	
75		SM6040802TP		SCREW M4X0.7 L=8	FOR PLC-2710-7					3	
76		SM6040802TP		SCREW M4X0.7 L=8	FOR PLC-2760-7					6	
77		SM6051002TP		SCREW M5X0.8 L=10	FOR PLC-2710-7					1	
78		SM6051002TP		SCREW M5X0.8 L=10	FOR PLC-2760-7					2	
79		SM8060812TP		SCREW M6 L=8	FOR PLC-2710-7					2	
80		SM8060812TP		SCREW M6 L=8	FOR PLC-2760-7					4	
81		SS6060220SP		SCREW 3/32-56 L=2.0	FOR PLC-2710-7					2	
82		SS6060220SP		SCREW 3/32-56 L=2.0	FOR PLC-2760-7					4	
83		SS6090520SP		SCREW 9/64-40 L=5.0	FOR PLC-2710-7					2	
84		SS6090520SP		SCREW 9/64-40 L=5.0	FOR PLC-2760-7					4	
85		SM8050512TP		SCREW	FOR PLC-2710-7					2	
86		SM8050512TP		SCREW	FOR PLC-2760-7					4	
87		WP0450000SD		WASHER 4.5X8X0.5	FOR PLC-2710-7					3	
88		WP0450000SD		WASHER 4.5X8X0.5	FOR PLC-2760-7					6	
89		WP0550800SP		WASHER 5.5X10X0.8	FOR PLC-2710-7					1	
90		WP0550800SP		WASHER 5.5X10X0.8	FOR PLC-2760-7					2	
91		26231902		OIL WICK PIPE STOPPER						1	

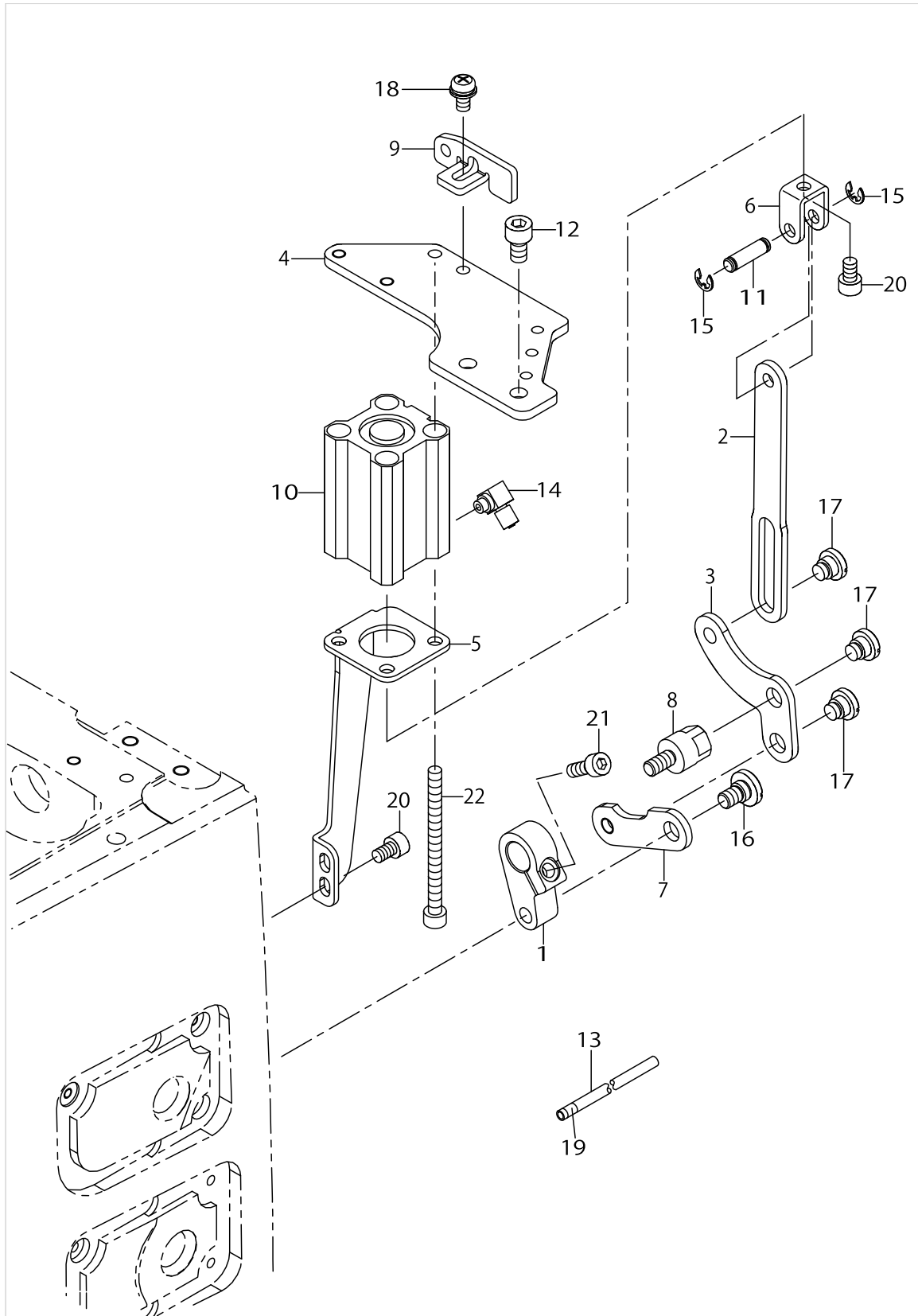
THREAD CUTTING COMPONENTS(FOR PLC-2710-7,2760-7)



THREAD CUTTING COMPONENTS(FOR PLC-2710-7,2760-7)

No.	Supply Code	Parts No.	Replacement	Parts name	Remarks	Choice	Step	Level	Cons	Qty	Rep. QTY
92		SM4040655SP		SCREW M4 L=6						1	
93		40139455		SOLENOID RELAY CABLE ASM.						1	
94		40130060		THREAD_TRIMMER_CAM_LEFT	FOR PLC-2760-7					1	
95		40138044		BEARING	FOR PLC-2760-7					2	
96		40137802		WASHER	FOR PLC-2710-7					2	
97		40137802		WASHER	FOR PLC-2760-7					4	
98		40137803		WASHER	FOR PLC-2710-7					1	
99		40137803		WASHER	FOR PLC-2760-7					2	
100		40137999		BEARING	FOR PLC-2710-7					2	
101		40137999		BEARING	FOR PLC-2760-7					4	
102		RE0500000K0		E-RING	FOR PLC-2710-7					1	
103		RE0500000K0		E-RING	FOR PLC-2760-7					2	

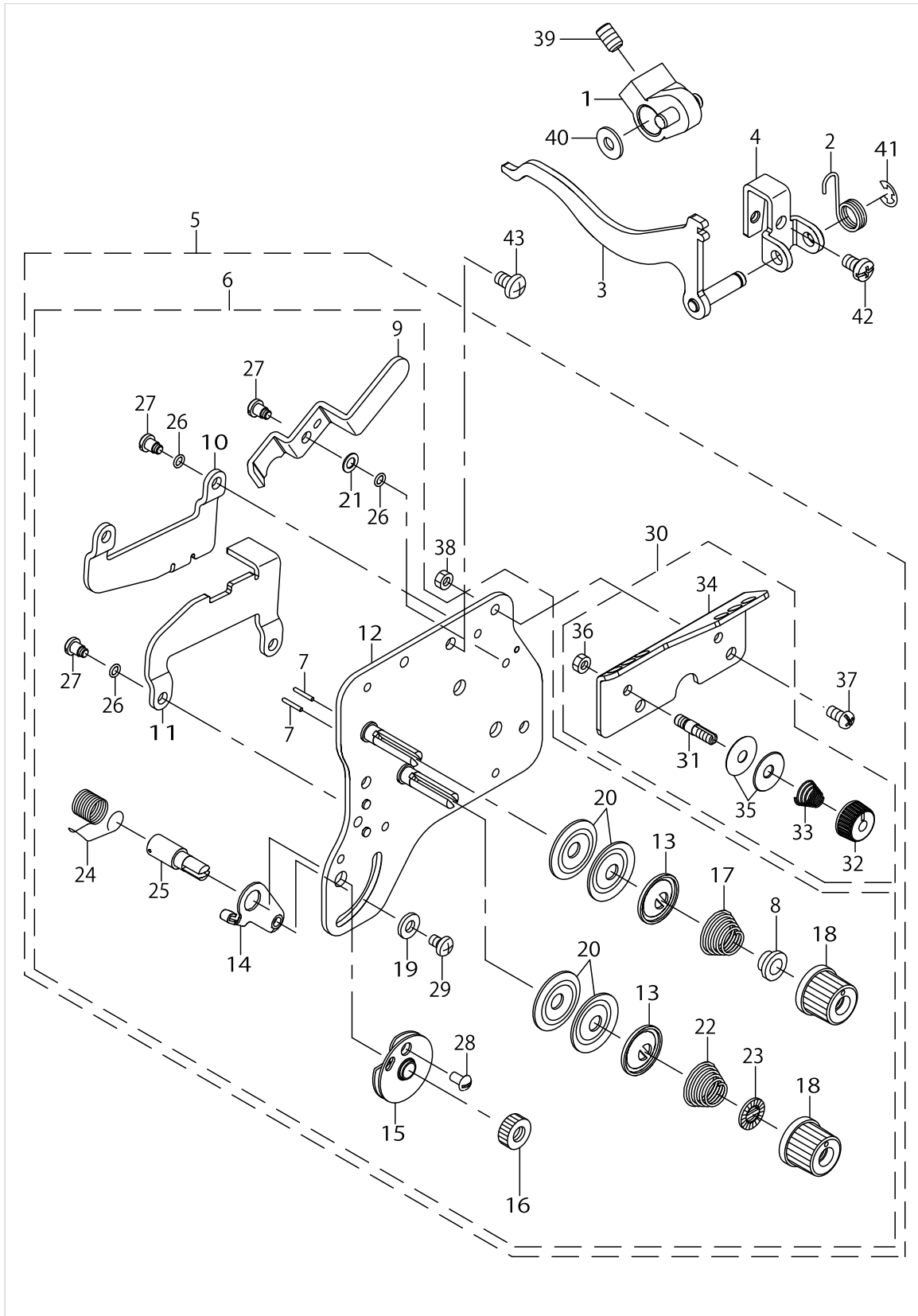
CONDENSE COMPONENTS(FOR PLC-2710-7,2760-7)



CONDENSE COMPONENTS(FOR PLC-2710-7,2760-7)

No.	Supply Code	Parts No.	Replacement	Parts name	Remarks	Choice	Step	Level	Cons	Qty	Rep. QTY
1		40133612		CONDENSE ARM						1	
2		40112137		LINK_A						1	
3		40112138		LINK_B						1	
4		40125872		CYLINDER_BRACKET						1	
5		40112140		CYLINDER_STAY						1	
6		40112149		CYLINDER_KNUCKLE						1	
7		40133655		LINK D						1	
8		40171514		BT_LINK_STUD						1	
9		40112228		MOTOR_COVER_FITTING_PLATE						1	
10		PA200350300		AIR CYLINDER						1	
11		D2464555B00		LINK DRIVING MAGNET PIN						1	
12		SM6061002TP		SCREW M6 L=10						2	
13		BT0400251EB		URETHANE HOSE BLACK						.27	
14		PJ046052503		HOSE ELBOW						1	
15		RE0400000K0		E-RING 4						2	
16		SD0800321TH		HINGE SCREW D=8 H=3.2						1	
17		SD0800341SP		HINGE SCREW D=8 H=3.4						3	
18		SL4051091SC		SCREW M5X0.8 L=10						1	
19		18035303		WIRE MARK (4)						2	
20		SM6050802TP		SCREW M5X0.8 L=8						3	
21		SM6051402TP		SCREW M5X0.8 L=14						1	
22		SM6056552TP		SCREW						3	

THREAD TENSION COMPONENTS(FOR PLC-2710,2710-7)

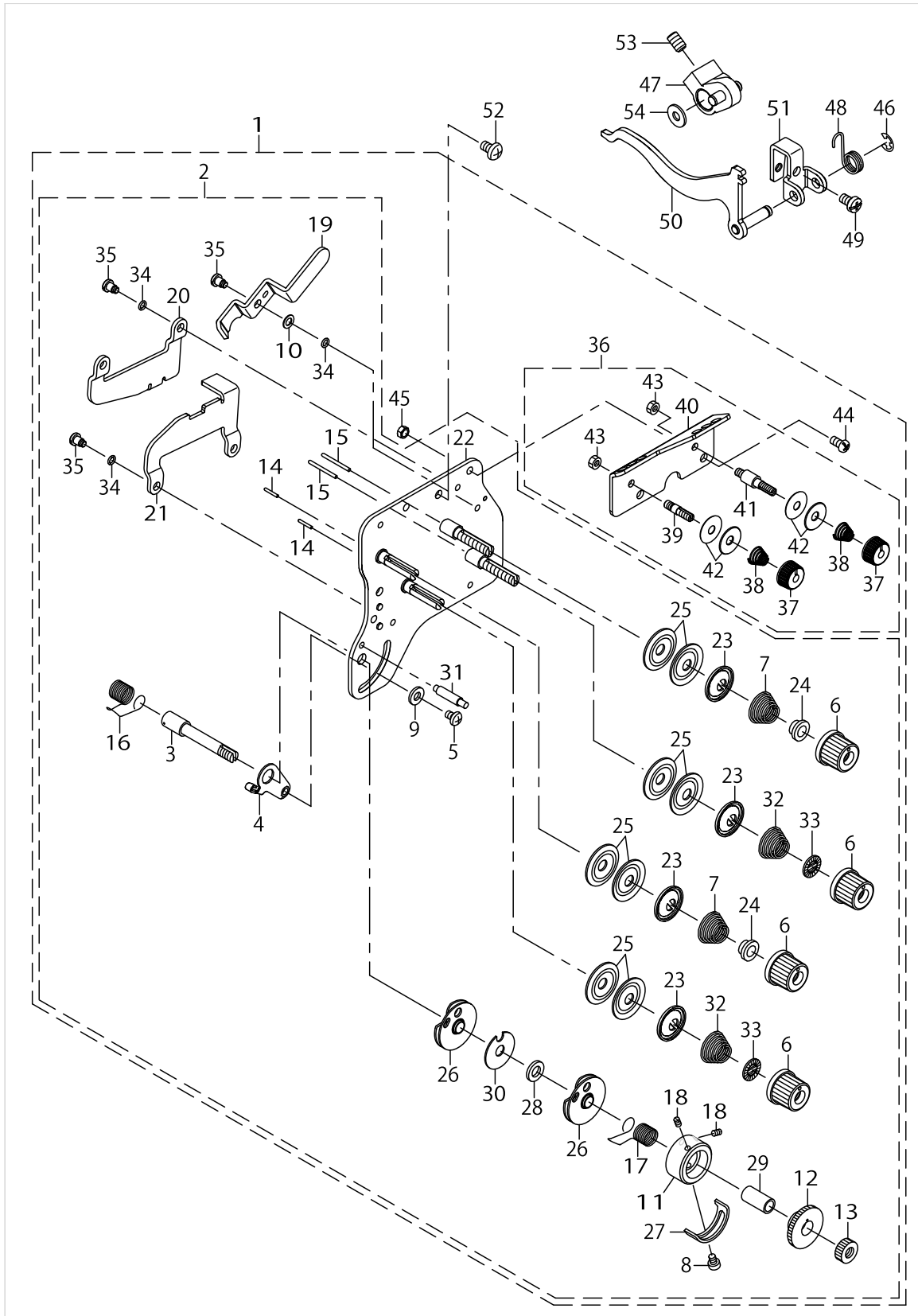


THREAD TENSION COMPONENTS(FOR PLC-2710,2710-7)

No.	Supply Code	Parts No.	Replacement	Parts name	Remarks	Choice	Step	Level	Cons	Qty	Rep. QTY
1		22912257		FEED REVERSE ARM ASM.						1	
2		22954309		REVERSE FEED SWITCH SPRING						1	
3		40126265		DISK_RELEASE_LINK_ASM.						1	
4		40125873		DISK_RELEASE_LINK_BASE						1	
5		40176347		THREAD_TENSION_ASSY_2710						1	
6		40176349		THREAD_TENSION_- PLATE_ASM_2710				*		1	
7		22618201		TENSION RELEASE PIN A				*	☆	2	
8		B3112704000		TENSION SPRING BUSHING				*		1	
9		40112204		TENSION_RELEASE_LEVER				*		1	
10		40112218		DISK_RELEASE_PLATE_A				*		1	
11		40112219		DISK_RELEASE_PLATE_B				*		1	
12		40126404		ASSY_TENSION_BASE_PLATE				*		1	
13		40126724		TENSION_DISC HOLDER				*		2	
14		10697506		THREAD TENSION BRACKET A				*		1	
15		B31375270A0		TAKE-UP SPRING GUIDE ASM.				*		1	
16	R	22617807	22928808	NUT				*		1	1.00
17		12938304		TENSION SPRING				*	☆	1	
18		13817408		THREAD TENSION NUT				*		2	
19		WP0501016SD		WASHER 5X10.5X1				*		1	
20		22921506		THREAD TENSION DISK				*	☆	4	
21		WP0460556SD		WASHER 4.6X7.5X0.5				*		1	
22		B3129053000		TENSION SPRING				*		1	
23		22921407		ROTATION STOPPER				*		1	
24		22618706		THREAD TAKE-UP SPRING A				*	☆	1	
25		10320109		SCREW STUD				*		1	
26		RO037180100		RUBBER RING				*		5	
27		SD0450401SP		HINGE SCREW D=4.5 H=4				*		5	
28		SS3090710TP		SCREW 9/64-40 L=7				*		1	
29		SS4110615SP		SCREW 11/64-40 L=6				*		1	
30		40155958		THREAD_GUIDE_PLATE_ASM_2810				*		1	
31		40155994		TEREAD_TENSION_POST_A				*		1	
32		22945703		THREAD TENSION NUT				*		1	
33	R	22963409	22963458	THREAD TENSION SPRING				*	☆	1	1.00
34		40155960		THREAD_GUIDE_PLATE				*		1	
35		22945802		THREAD TENSION DISK				*	☆	1	
36		NS6110310SP		NUT 11/64-40				*		1	
37		SS4110815SP		SCREW 11/64-40 L=8				*		2	
38		NS6110310SP		HEXAGONAL NUT 11/64-40				*		2	
39		SS8661012TP		SCREW				*		1	
40		22528509		FELT				*		1	
41		RE0500000K0		E-RING				*		1	
42		SM4050855SP		SCREW				*		1	
43		SM4051001SN		SCREW M5				*		3	



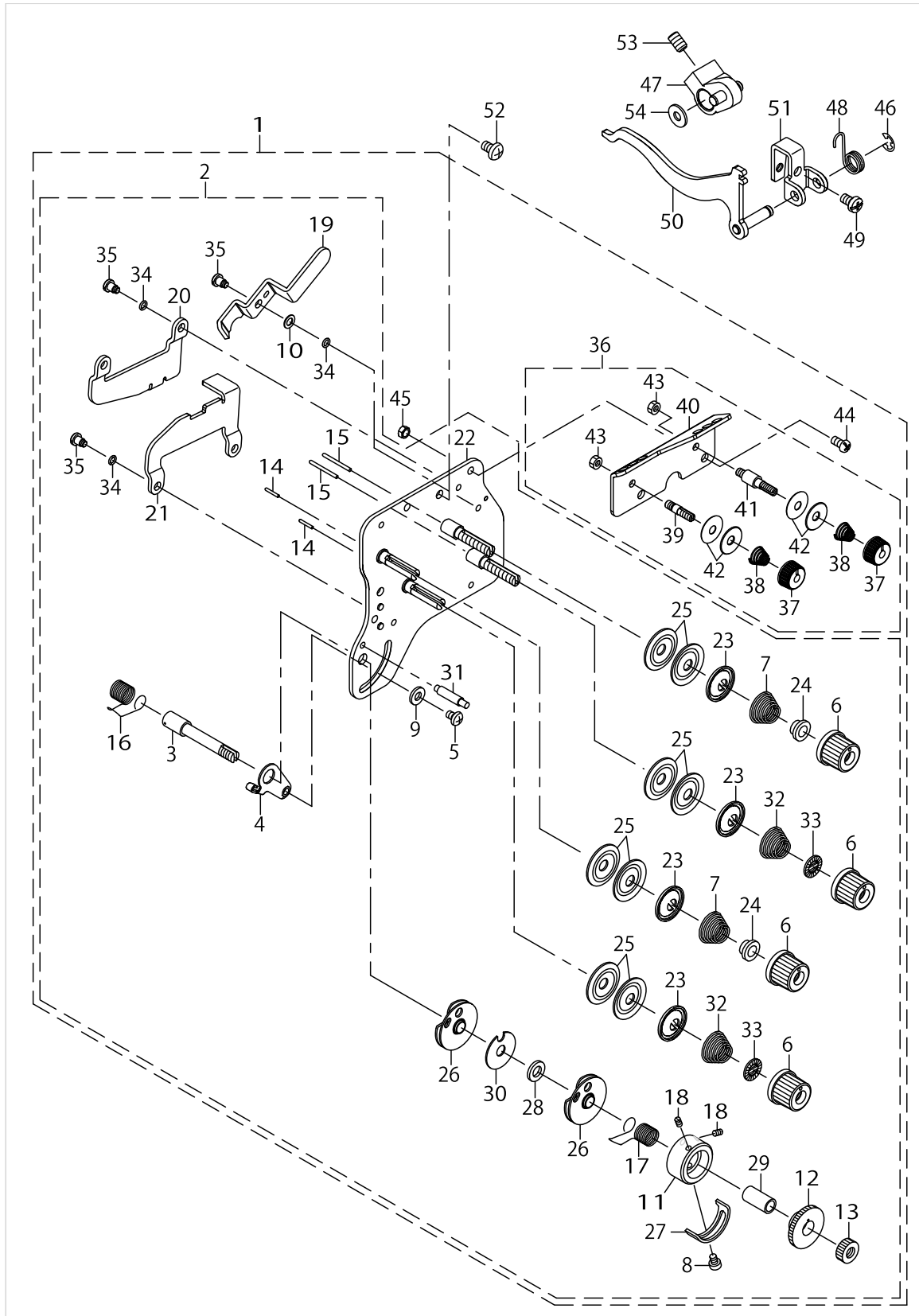
THREAD TENSION COMPONENTS(FOR PLC-2760,2760-7,2760L)



THREAD TENSION COMPONENTS(FOR PLC-2760,2760-7,2760L)

No.	Supply Code	Parts No.	Replacement	Parts name	Remarks	Choice	Step	Level	Cons	Qty	Rep. QTY
1		40176348		THREAD_TENSION_ASSY_2760						1	
2		40176350		THREAD_TENSION_- PLATE_ASM_2760				*		1	
3		10697605		THREAD TAKE-UP SPRING STUD				*		1	
4		10697506		THREAD TENSION BRACKET A				*		1	
5		SS4110615SP		SCREW 11/64-40 L=6				*		1	
6		13817408		THREAD TENSION NUT				*	☆	4	
7		12938304		TENSION SPRING				*	☆	2	
8		SS7090510SP		SCREW 9/64-40 L=4.6				*		1	
9		WP0501016SD		WASHER 5X10.5X1				*		1	
10		WP0460556SD		WASHER 4.6X7.5X0.5				*		1	
11		22617609		THREAD TENSION POST				*		1	
12		22617708		TAKE-UP SPRING GUIDE				*		1	
13	R	22617807	22928808	NUT				*		1	1.00
14		22618201		TENSION RELEASE PIN A				*	☆	2	
15		22618300		TENSION RELEASE PIN B				*	☆	2	
16		22618706		THREAD TAKE-UP SPRING A				*	☆	1	
17		22618805		THREAD TAKE-UP SPRING B				*	☆	1	
18	R	22618904	SM8030500SP	SET SCREW				*		2	1.00
19		40112204		TENSION_RELEASE_LEVER				*		1	
20		40112218		DISK_RELEASE_PLATE_A				*		1	
21		40112219		DISK_RELEASE_PLATE_B				*		1	
22		40126557		ASSY_TENSION_BASE_PLATE				*		1	
23		40126724		TENSION_DISC HOLDER				*		4	
24		B3112704000		TENSION SPRING BUSHING				*		2	
25		22921506		THREAD TENSION DISK				*	☆	8	
26		B31375270A0		TAKE-UP SPRING GUIDE ASM.				*		2	
27		B3138527000		ADJUSTING PLATE B				*		1	
28		B3139527000		COLLAR				*		1	
29		B3141527000		PRESSER COLLAR				*		1	
30		B3142527000		TAKE-UP SPRING GUIDE PLATE				*		1	
31		B3143527000		TAKE-UP SPRING GUIDE STUD				*		1	
32		B312905300		TENSION SPRING				*	☆	2	
33		22921407		ROTATION STOPPER				*		2	
34		RO037180100		RUBBER RING				*		5	
35		SD0450401SP		HINGE SCREW D=4.5 H=4				*		5	
36		40155959		THREAD_GUIDE_PLATE_ASM_2860				*		1	
37		22945703		THREAD TENSION NUT				*		2	
38	R	22963409	22963458	THREAD TENSION SPRING				*	☆	2	1.00
39		40155994		TEREAD_TENSION_POST_A				*		1	
40		40155960		THREAD_GUIDE_PLATE				*		1	
41		40155995		TEREAD_TENSION_POST_B				*		1	
42		22945802		THREAD TENSION DISK				*	☆	4	
43		NS6110310SP		HEXAGONAL NUT 11/64-40				*		2	
44		SS4110815SP		SCREW 11/64-40 L=8				*		2	
45		NS6110310SP		NUT 11/64-40				*		2	
46		RE050000K0		E-RING				*		1	

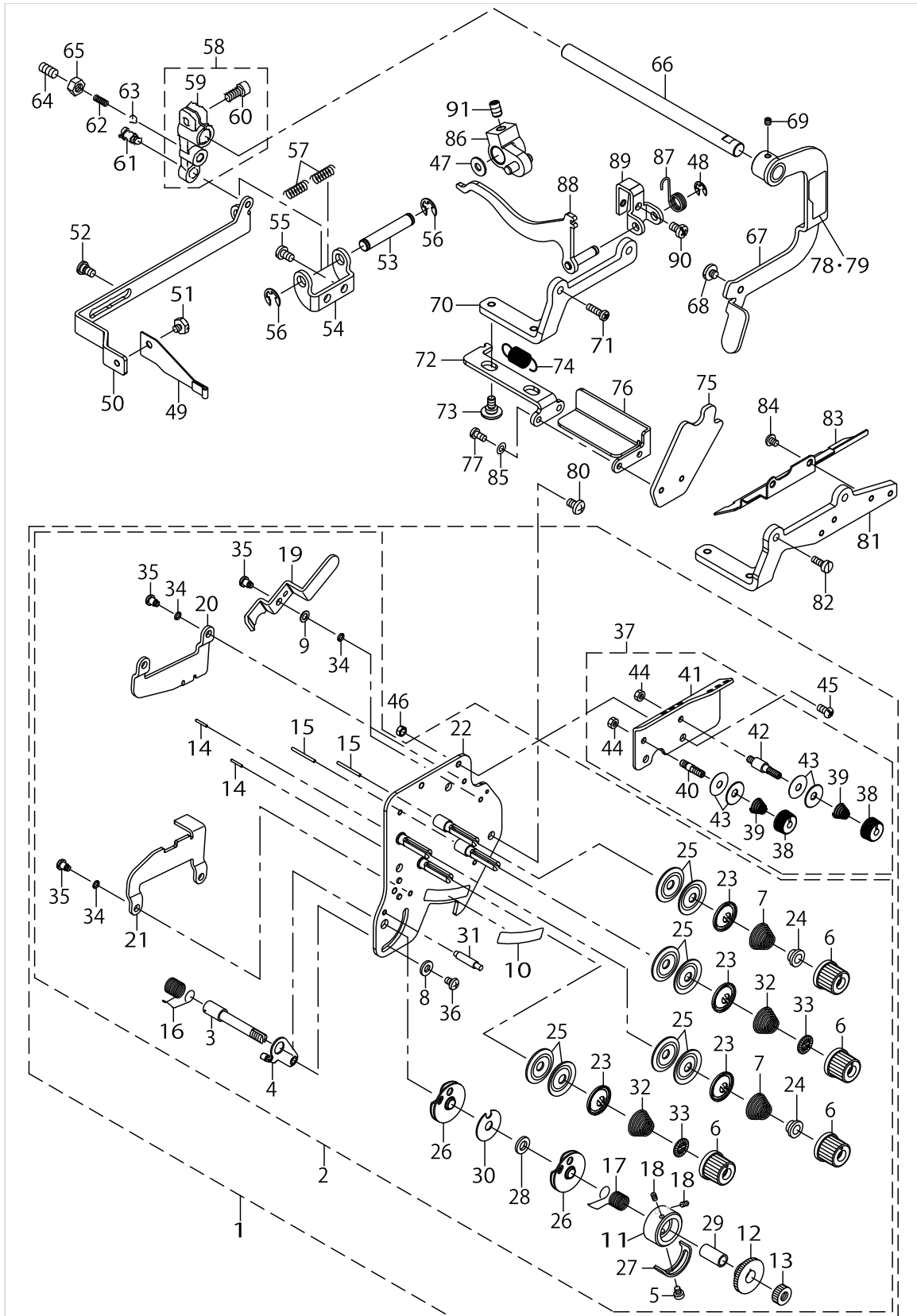
THREAD TENSION COMPONENTS(FOR PLC-2760,2760-7,2760L)



THREAD TENSION COMPONENTS(FOR PLC-2760,2760-7,2760L)

No.	Supply Code	Parts No.	Replacement	Parts name	Remarks	Choice	Step	Level	Cons	Qty	Rep. QTY
47		22912257		FEED REVERSE ARM ASM.						1	
48		22954309		REVERSE FEED SWITCH SPRING						1	
49		SM4050855SP		SCREW						1	
50		40126265		DISK_RELEASE_LINK_ASM.						1	
51		40125873		DISK_RELEASE_LINK_BASE						1	
52		SM4051001SN		SCREW M5						3	
53		SS8661012TP		SCREW						1	
54		22528509		FELT						1	

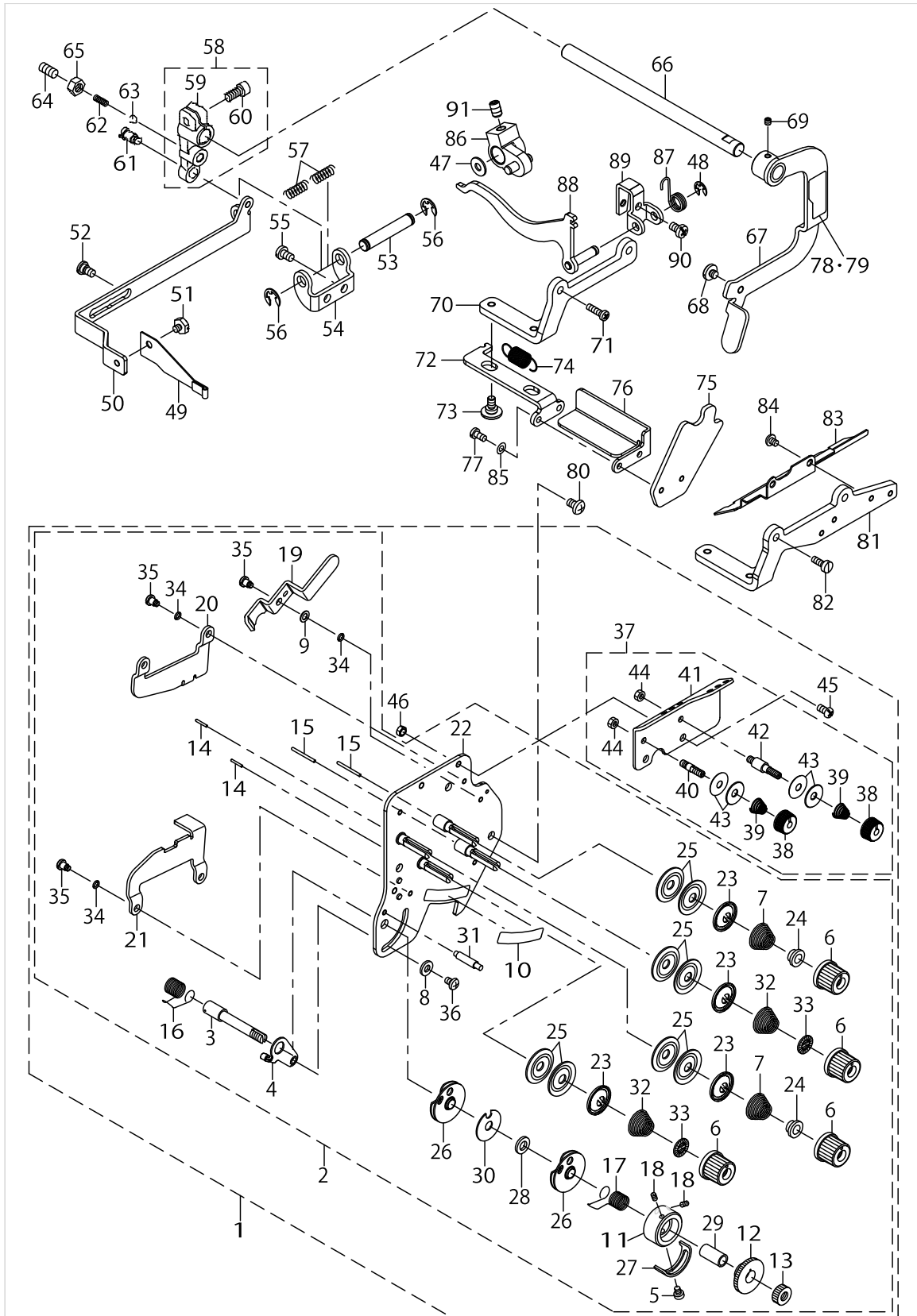
NEEDLE STOP CHANGE LEVER & THREAD TENSION COMPONENTS(FOR PLC-2765)



NEEDLE STOP CHANGE LEVER & THREAD TENSION COMPONENTS(FOR PLC-2765)

No.	Supply Code	Parts No.	Replacement	Parts name	Remarks	Choice	Step	Level	Cons	Qty	Rep. QTY
1		40177393		THREAD_TENSION_ASSY_2765						1	
2		40177394		THREAD_TENSION_- PLATE_ASM_2765				*		1	
3		10697605		THREAD TAKE-UP SPRING STUD				*		1	
4		10697506		THREAD TENSION BRACKET				*		1	
5		SS7090510SP		SCREW 9/64-40 L=4.6				*		1	
6		13817408		THREAD TENSION NUT				*	☆	4	
7		12938304		TENSION SPRING				*	☆	2	
8		WP0501016SD		WASHER 5X10.5X1				*		1	
9		WP0460556SD		WASHER 4.6X7.5X0.5				*		1	
10		40138484		TENSION PLATE LABEL				*		1	
11		22617609		THREAD TENSION POST				*		1	
12		22617708		TAKE-UP SPRING GUIDE				*		1	
13	R	22617807	22928808	NUT				*		1	1.00
14		22618201		TENSION RELEASE PIN				*	☆	2	
15		22618300		TENSION RELEASE PIN				*	☆	2	
16		22618706		THREAD TAKE-UP SPRING A				*	☆	1	
17		22618805		THREAD TAKE-UP SPRING B				*	☆	1	
18	R	22618904	SM8030500SP	SET SCREW				*		2	1.00
19		40112204		TENSION_RELEASE_LEVER				*		1	
20		40112218		DISK_RELEASE_PLATE_A				*		1	
21		40112219		DISK_RELEASE_PLATE_B				*		1	
22		40131668		ASSY_TENSION_BASE_PLATE_2865				*		1	
23		40126724		TENSION_DISC HOLDER				*		4	
24		B3112704000		TENSION SPRING BUSHING				*		2	
25		22921506		THREAD TENSION DISK				*	☆	8	
26		B31375270A0		TAKE-UP SPRING GUIDE ASM.				*		2	
27		B3138527000		ADJUSTING PLATE B				*		1	
28		B3139527000		COLLAR				*		1	
29		B3141527000		PRESSER COLLAR				*		1	
30		B3142527000		TAKE-UP SPRING GUIDE PLATE				*		1	
31		B3143527000		TAKE-UP SPRING GUIDE STUD				*		1	
32		B3129053000		TENSION SPRING				*		2	
33		22921407		ROTATION STOPPER				*		2	
34		RO037180100		O-RING				*		5	
35		SD0450401SP		SHOULDER SCREW D=4.5 H=4				*		5	
36		SS4110615SP		SCREW 11/64-40 L=6				*		1	
37		40177402		THREAD_GUIDE_PLATE_ASM_2765				*		1	
38		22945703		THREAD TENSION NUT				*		2	
39	R	22963409	22963458	THREAD TENSION SPRING				*	☆	2	1.00
40		40155994		TEREAD_TENSION_POST_A				*		1	
41		40177400		THREAD_GUIDE_PLATE_2765				*		1	
42		40155995		TEREAD_TENSION_POST_B				*		1	
43		22945802		THREAD TENSION DISK				*	☆	4	
44		NS6110310SP		HEXAGONAL NUT 11/64-40				*		2	
45		SS4110815SP		SCREW 11/64-40 L=8				*		2	
46		NS6110310SP		HEXAGONAL NUT 11/64-40				*		2	

NEEDLE STOP CHANGE LEVER & THREAD TENSION COMPONENTS(FOR PLC-2765)

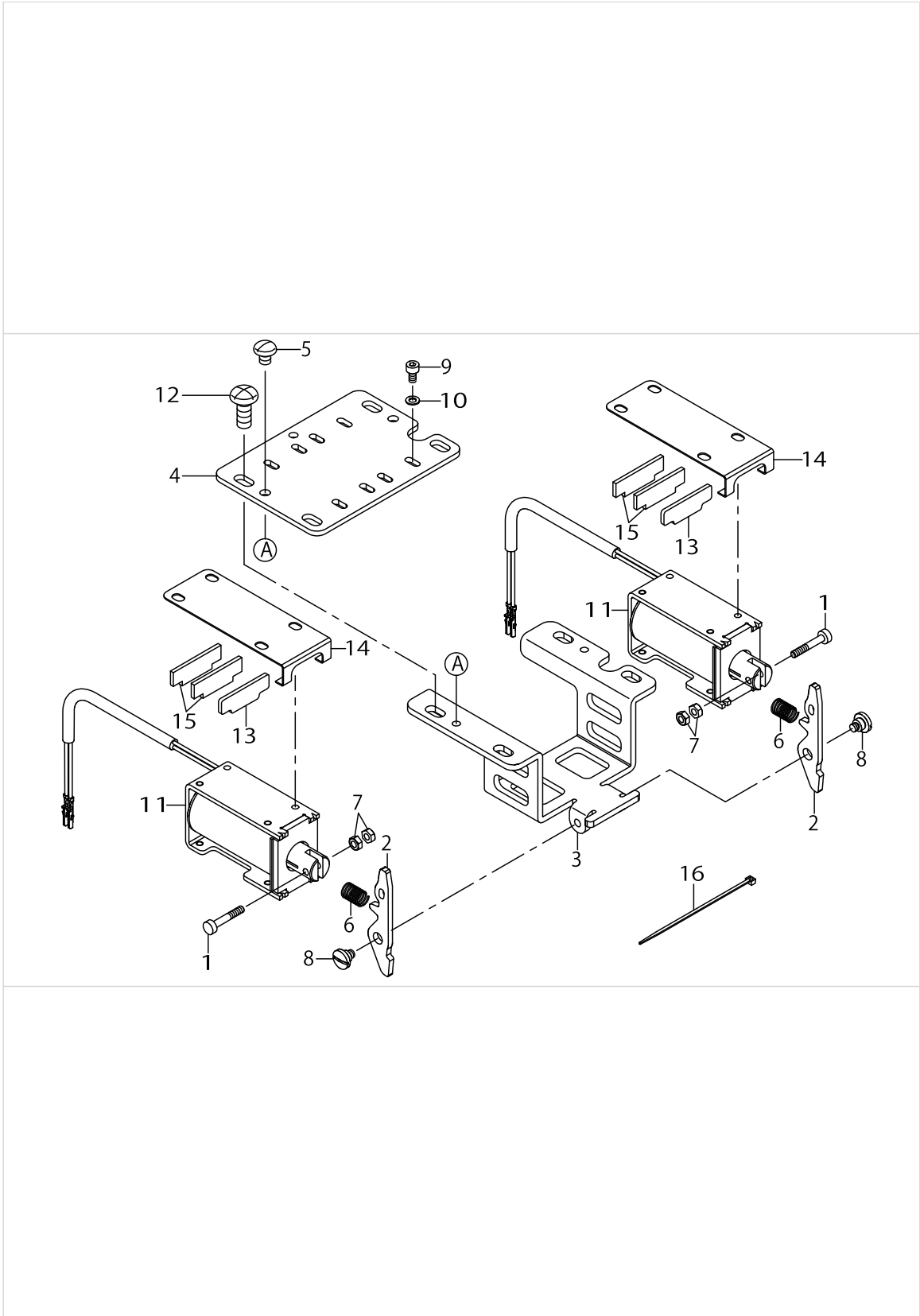


NEEDLE STOP CHANGE LEVER & THREAD TENSION COMPONENTS(FOR PLC-2765)

No.	Supply Code	Parts No.	Replacement	Parts name	Remarks	Choice	Step	Level	Cons	Qty	Rep. QTY
47		22528509		FELT						1	
48		RE0500000K0		E-RING						1	
49		40131657		LEAF_SPRING						1	
50		40131658		REPOSITIONING_PLATE						1	
51		SS9110460CP		SCREW 11/64-40 L=4						1	
52		SD0600346TP		SHOULDER SCREW						2	
53		22687701		SPRING SHAFT						1	
54		40131659		SPRING_BASE						1	
55		SM4050855SP		SCREW						2	
56		RE0700000K0		E-RING 7						2	
57		22687503		SPRING						2	
58		40032327		ASSY_REPOSITIONING_ARM						1	
59		40028556		REROSITIONING_ARM						1	
60		SM6051202TP		SCREW M5X0.8 L=12						1	
61		SD0640752TP		SHOULDER SCREW D=6.35 H=7.5						1	
62		40028641		ADJUSTING_SPRING						1	
63		22615702		OIL ADJUSTING BALL						1	
64		SM8061212TP		SCREW M6X12						1	
65		NM6060001CP		NUT M6X1 TYPE1						1	
66		40138477		REPOSITIONING LEVER SHAFT						1	
67		40131660		ASSY_REPOSITIONING_LEVER						1	
68		SM6050450TP		SCREW M5 L=4						1	
69		SM8040412TP		SCREW M4X4						2	
70		40131662		RELEASE_LEVER_PLATE_BASE	EXCEPT AK,BT,DL					1	
71		SM4041401SC		SCREW M4X0.7 L=14	EXCEPT AK,BT,DL					2	
72		40131663		RELEASE_LEVER_PLATE						1	
73		SD0800327TP		SHOULDER SCREW D=8 H=3.2						2	
74		40131665		SPRING						1	
75		40131664		RELEASE_LEVER						1	
76		40131666		RELEASE_LEVER_COVER						1	
77		SM6040870SP		SCREW						2	
78		CM300400901		LABEL	FOR CHINA					1	
79		CM300400902		LABEL	EXCEPT CHINA					1	
80		SM4051001SN		SCREW M5						3	
81		40138933		RELEASE LEVER PLATE B	WITH AK,BT,DL					1	
82		SM6041150TP		SCREW	WITH AK,BT,DL					2	
83		40138934		SWICH COVER	WITH AK,BT,DL					1	
84		SM4040501SN		SCREW M4X0.7 L=5	WITH AK,BT,DL					2	
85		WP0460326SF		WASHER 4.6X7.8X0.3						2	
86		22912257		FEED REVERSE ARM ASM.						1	
87		22954309		REVERSE FEED SWITCH SPRING						1	
88		40126265		DISK_RELEASE_LINK_ASM.						1	
89		40125873		DISK_RELEASE_LINK_BASE						1	
90		SM4050855SP		SCREW						1	
91		SS8661012TP		SCREW						1	



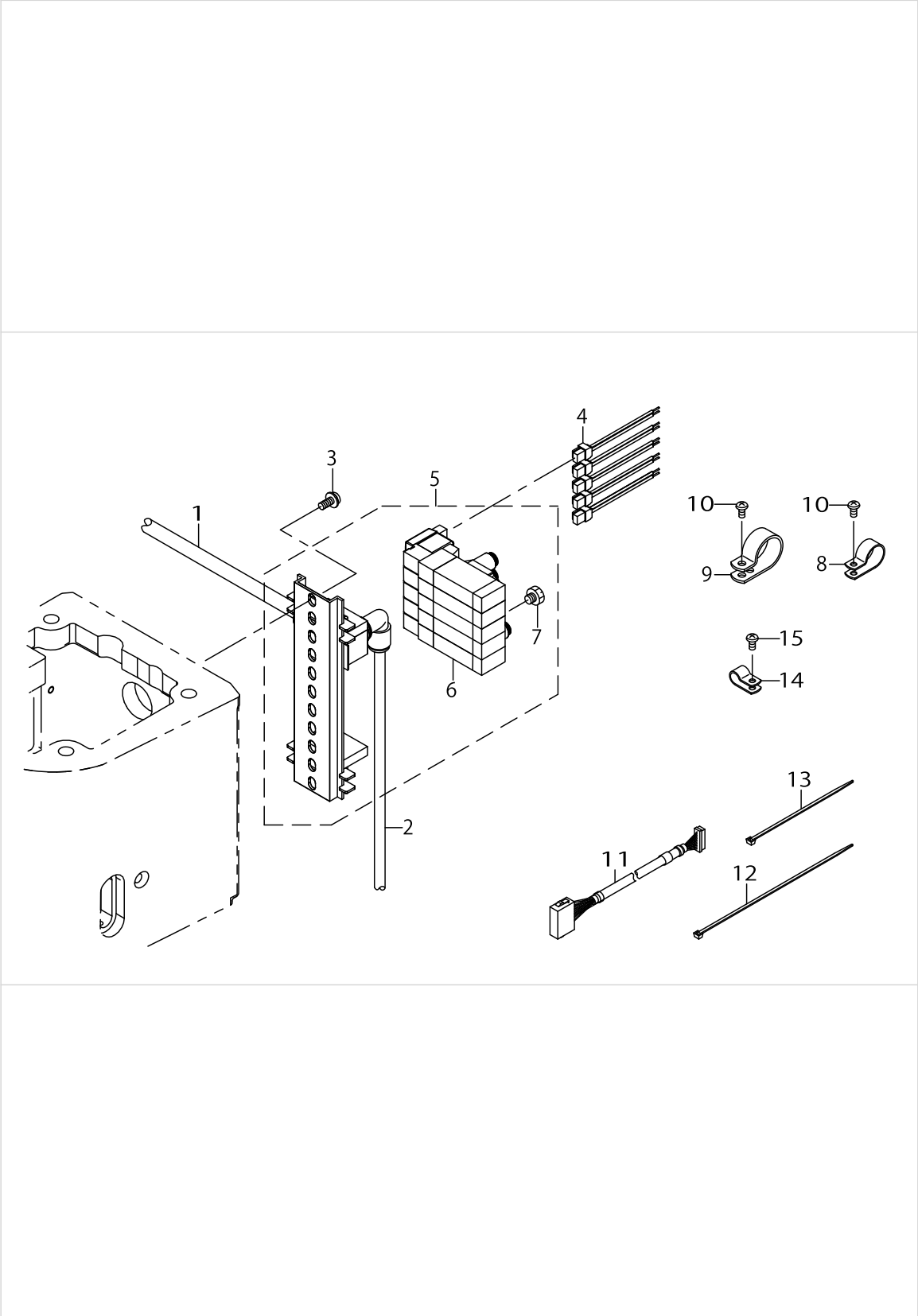
TENSION RELEASE COMPONENTS(FOR PLC-2710-7,2760-7)



TENSION RELEASE COMPONENTS(FOR PLC-2710-7,2760-7)

No.	Supply Code	Parts No.	Replacement	Parts name	Remarks	Choice	Step	Level	Cons	Qty	Rep. QTY
1		23542418		CLUTCH LINK PIN						2	
2		40125948		RELEASE_SOLENOID_LINK						2	
3		40126263		SOLENOID_LINK_MOUNTING_PLATE						1	
4		40125949		RELEASE_SOLENOID_BASE						1	
5		SS4090515SP		SCREW 9/64-40 L=5						2	
6		32055501		AT (UPPER) SPRING						2	
7		NM6030001SC		NUT M3X0.5 TYPE1						4	
8		SD0550271TP		HINGE SCREW D=5.50 H=2.7						2	
9		SM6030602TP		SCREW M3X0.5 L=6						8	
10	R	WP0320501SE	WP0320501SC	WASHER 3.2X7.0X0.5						8	1.00
11		40130291		TENSION_RELEASE_SOLENOID						2	
12		SM4051255SP		SCREW M5 L=12						4	
13		40126563		STOPPER_PLATE						2	
14		40126562		RUBBER HOLDER						2	
15		40086679		WIPER_STOPPER_RUBBER						4	
16		EA9500B0100		CABLE BAND						1	

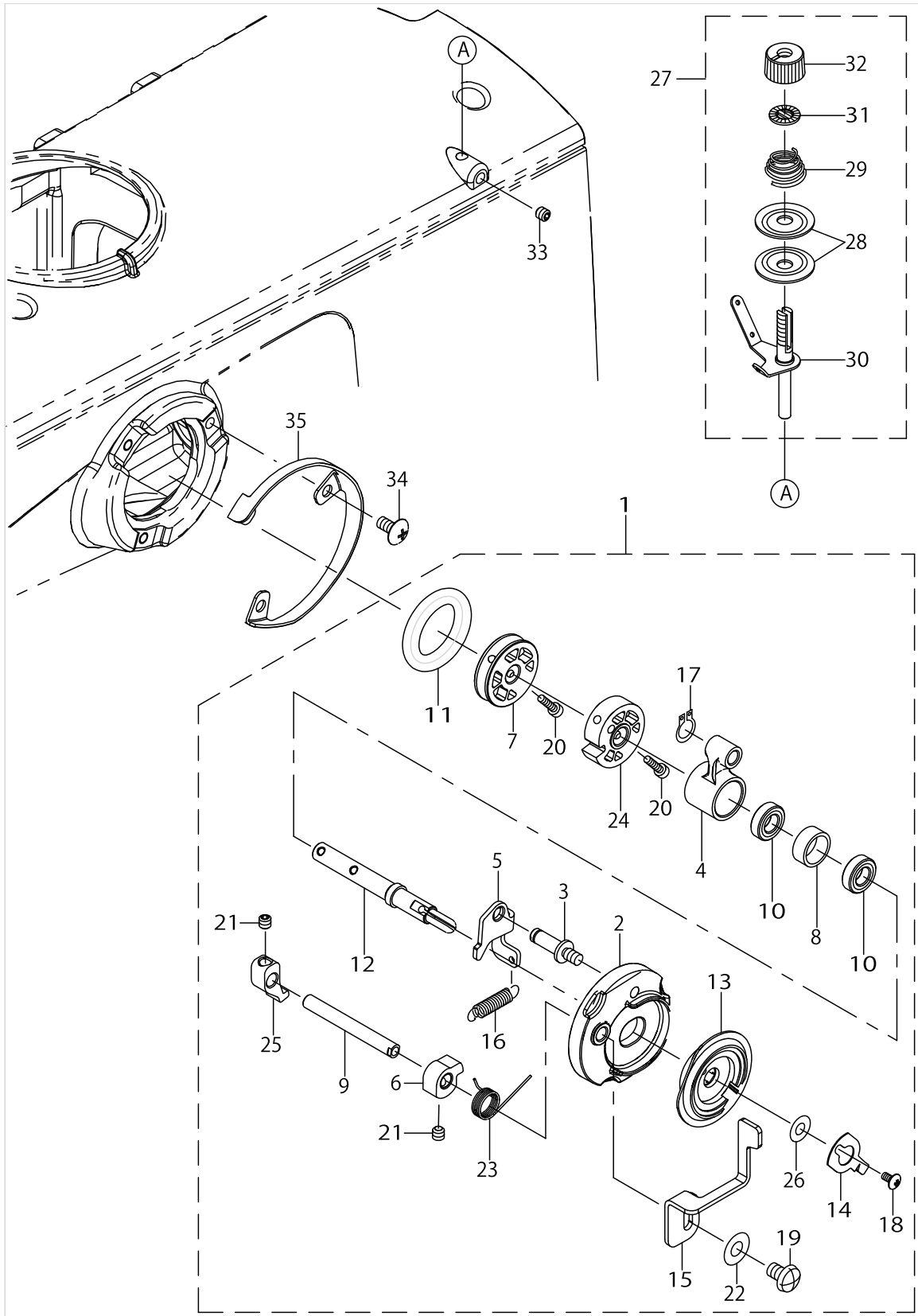
PNEUMATIC COMPONENTS(FOR PLC-2710-7,2760-7)



PNEUMATIC COMPONENTS(FOR PLC-2710-7,2760-7)

No.	Supply Code	Parts No.	Replacement	Parts name	Remarks	Choice	Step	Level	Cons	Qty	Rep. QTY
1		BT0600401EB		TUBE						1.1	
2		BT0800501EB		VINYL TUBE						1.1	
3		SL4041091SC		SCREW M4 L=10						2	
4		40130284		SOLENOID VALVE CABLE ASM.						1	
5		40130283		SOLENOID_VALVE_ASM.						1	
6		PV150209100		SOLENOID VALVE				*		5	
7		PJ020500002		PLUG				*		4	
8		HX00150000H		CABLE CLIP						1	
9		HX00150000M		CABLE CLIP						1	
10		SM4040855SP		SCREW						2	
11		40126127		AIR VALVE RELAY CABLE ASM.						1	
12		EA9500B0200		CABLE BAND 150						3	
13		EA9500B0100		CABLE BAND						2	
14		HX00150000C		CABLE CLIP						1	
15		SM4040855SP		SCREW						1	

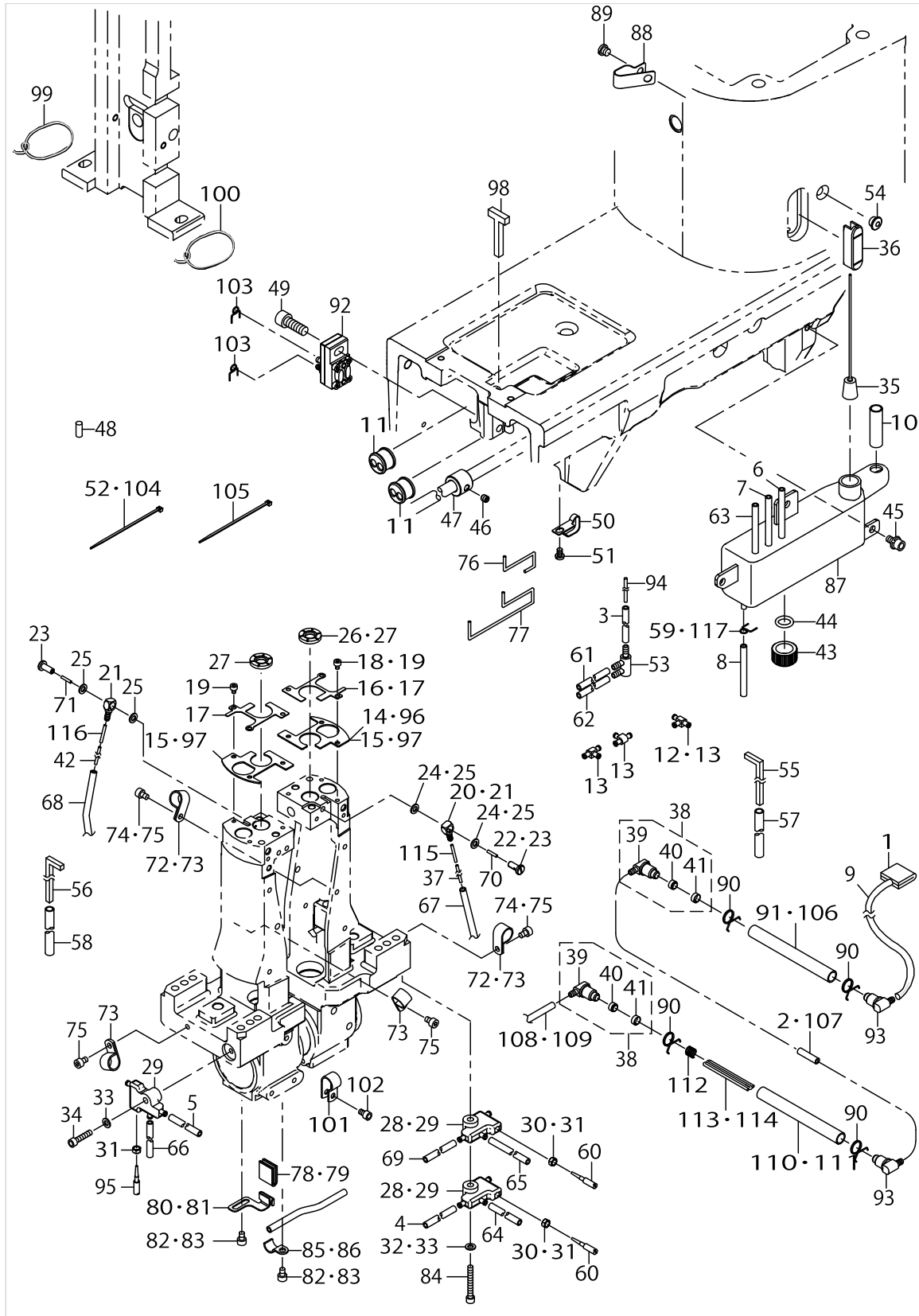
BOBBIN WINDER COMPONENTS



BOBBIN WINDER COMPONENTS

No.	Supply Code	Parts No.	Replacement	Parts name	Remarks	Choice	Step	Level	Cons	Qty	Rep. QTY
1		40126355		BOBBIN_WINDER_UNIT						1	
2	R	26260109	26260000	BTW_BASE				*		1	1.00
3		26260307		BTW_BASE_SHAFT				*		1	
4		26260406		BTW_SHAFT_BASE				*		1	
5		40126594		BTW_CAM_PLATE				*		1	
6		26260505		BTW_CAM_LEVER				*		1	
7		40125851		WINDER_WHEEL				*		1	
8	R	26260802	26260000	BTW_BEARING_SPACER				*		1	1.00
9		26261008		BTW_LEVER_SHAFT				*		1	
10		40126354		WINDER_BEARING				*		1	
11		26261503		BTW_WHEEL_RUBBER				*	☆	1	
12		40126550		BOBBIN_SHAFT				*		1	
13		40125927		BOBBIN_BASE				*		1	
14		40126311		WINDER_CUTTER				*		1	
15		40151791		BOBBIN_LEVER				*		1	
16		13718507		SPRING				*		1	
17		RC0560711KP		RETAINING RING				*		1	
18		SM0030601SC		SCREW M3X0.5 L=6				*		1	
19		SM5040655SN		SCREW				*		1	
20		SM6031202TP		SCREW M3X0.5 L=12				*		1	
21		SM8050502TP		SCREW M5 L=5				*		2	
22		WP0450826SC		WASHER 4.5X10X0.8				*		1	
23		40126549		HELICAL_TORSION_COIL_SPRING				*		1	
24		40125928		WINDER_LATCH_CAM				*		1	
25		40125844		WINDER_LATCH_B				*		1	
26		WP0320501SC		WASHER M3				*		1	
27		40088958		BOBBIN_THREAD_TENSION_ASM.						1	
28		22921506		THREAD_TENSION_DISK				*		1	
29		22921704		THREAD_TENSION_SPRING_A				*	☆	1	
30		40088959		BOBBIN_THREAD_TENSION_ROD_ASM.				*		1	
31		22921407		ROTATION_STOPPER				*		1	
32		22921308		THREAD_TENSION_NUT				*		1	
33		SM8051002TP		SCREW M5 L=10						1	
34		SM0051001SC		SCREW						3	
35		40152022		BTW_GUARD						1	

LUBRICATION COMPONENTS

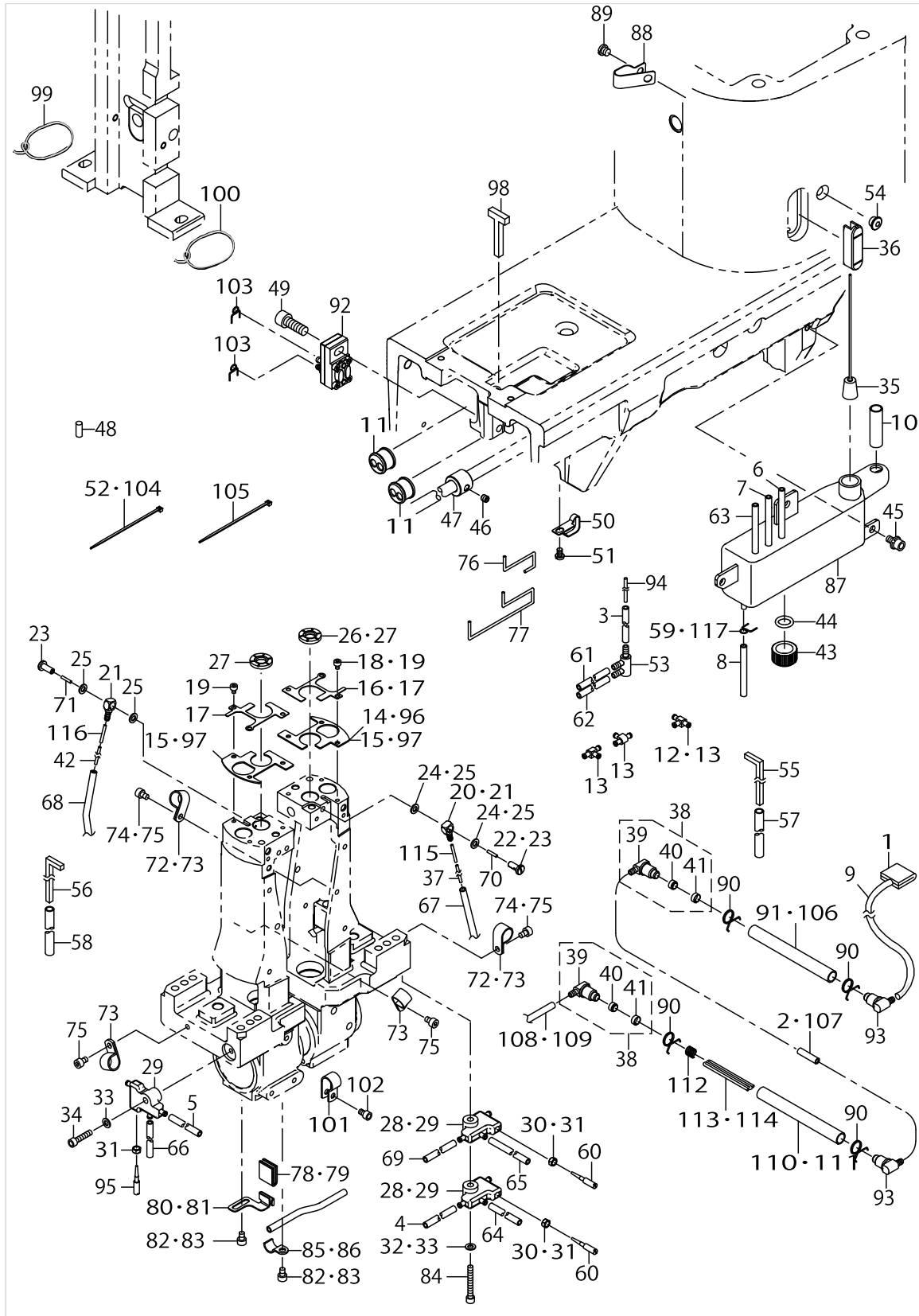


LUBRICATION COMPONENTS

No.	Supply Code	Parts No.	Replacement	Parts name	Remarks	Choice	Step	Level	Cons	Qty	Rep. QTY
1		40112320		FELT						1	
2		23630007		TUBE						.04	
3		23630007		TUBE						.04	
4		23630007		TUBE						.025	
5		23630007		TUBE						.2	
6		23630007		TUBE						1.15	
7		23630007		TUBE						.35	
8		23630007		TUBE						.02	
9		23630007		TUBE						.36	
10		23630106		TUBE B						.32	
11	R	22935308	11100104	MAGNET CORD RUBBER						2	1.00
12		13765607		OIL CONNEC. ARM	FOR PLC-- 2710,2710-7					1	
13		13765607		OIL CONNEC. ARM	FOR PLC-- 2760,2760-- 7, 2760L,2765					3	
14		40130038		FELT	FOR PLC-2710-7					1	
15		40130038		FELT	FOR PLC-2760-7					2	
16		40130039		FELT HOLDER	FOR PLC-- 2710,2710-7					1	
17		40130039		FELT HOLDER	FOR PLC-- 2760,2760-- 7, 2760L,2765					2	
18		SM6030402TP		SCREW M3X0.5 L=4	FOR PLC-- 2710,2710-7					3	
19		SM6030402TP		SCREW M3X0.5 L=4	FOR PLC-- 2760,2760-- 7, 2760L,2765					6	
20		SQ0000401MZ		CONNECTING SCREW	FOR PLC-- 2710,2710-7					1	
21		SQ0000401MZ		CONNECTING SCREW	FOR PLC-- 2760,2760-- 7, 2760L,2765					2	
22		B3525357000		CONNECTING SCREW (B)	FOR PLC-- 2710,2710-7					1	
23		B3525357000		CONNECTING SCREW (B)	FOR PLC-- 2760,2760-- 7, 2760L,2765					2	
24		B3534012000		GASKET	FOR PLC-- 2710,2710-7					2	
25		B3534012000		GASKET	FOR PLC-- 2760,2760-- 7, 2760L,2765					4	
26		40130037		GROOVE_WASHER	FOR PLC-- 2710,2710-7					1	
27		40130037		GROOVE_WASHER	FOR PLC-- 2760,2760-- 7, 2760L,2765					2	
28		40032804		BASE	FOR PLC-- 2710,2710-7					2	
29		40032804		BASE	FOR PLC-- 2760,2760-- 7, 2760L,2765					3	
30		NS6110310SP		HEXAGONAL NUT 11/64-40	FOR PLC-- 2710,2710-7					2	
31		NS6110310SP		HEXAGONAL NUT 11/64-40	FOR PLC-- 2760,2760-- 7, 2760L,2765					3	
32		WP0430800SD		WASHER M4	FOR PLC-- 2710,2710-7					1	
33		WP0430800SD		WASHER M4	FOR PLC-- 2760,2760-- 7, 2760L,2765					2	



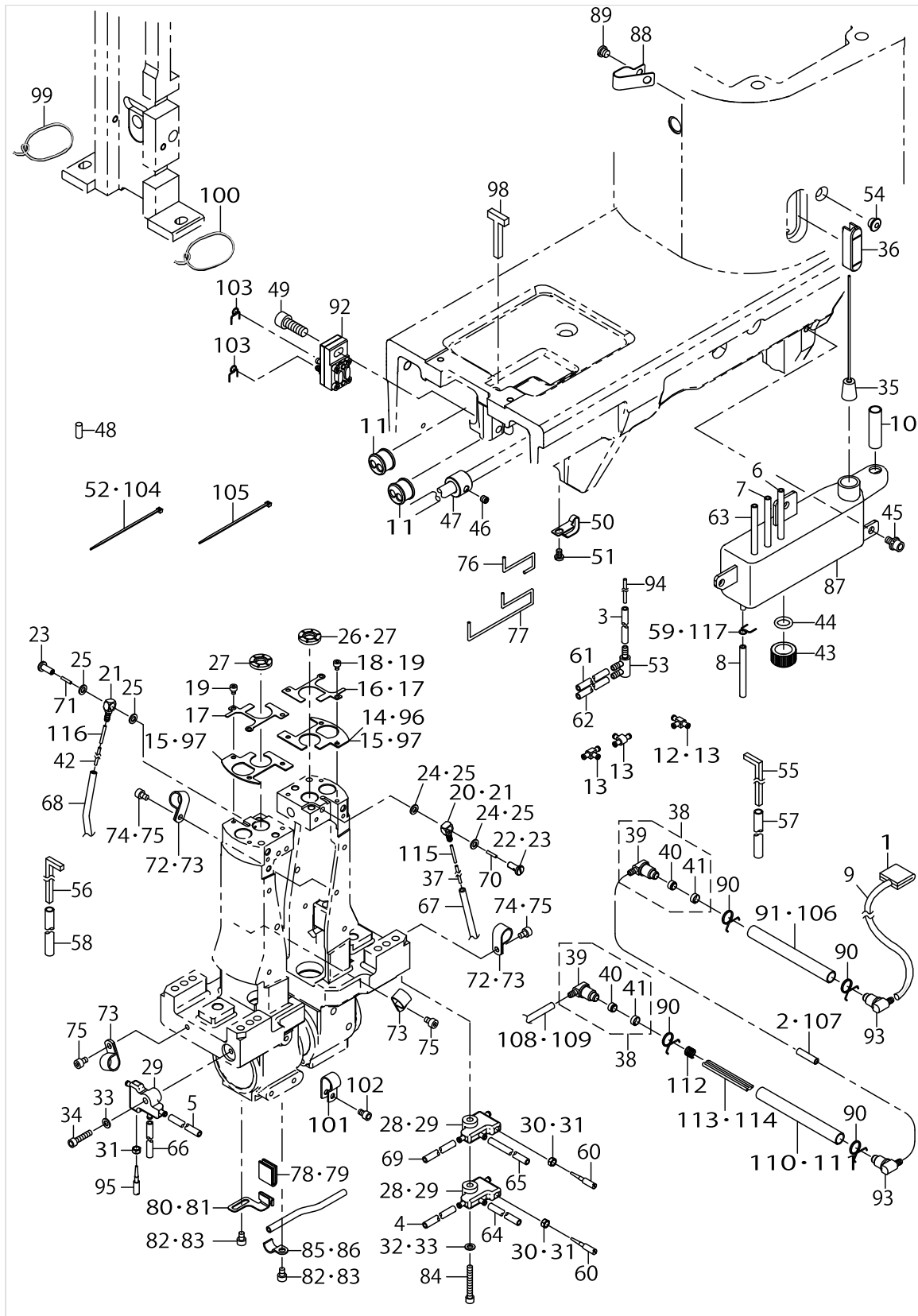
LUBRICATION COMPONENTS



LUBRICATION COMPONENTS

No.	Supply Code	Parts No.	Replacement	Parts name	Remarks	Choice	Step	Level	Cons	Qty	Rep. QTY
34		SM6041802TP		SCREW M4 L=18	FOR PLC-- 2760,2760-- 7, 2760L,2765					1	
35		23628357		FLOATER ASM.						1	
36		40036167		OIL_GAGE						1	
37		CQ200000000		OIL WICK						.27	
38		23630650		OIL FILTER JOINT ASM.						2	
39		23630601		OIL FILTER JOINT				*		1	
40	R	23630403	23630650	OIL FILTER				*		1	1.00
41	R	23630502	23630650	OIL FILTER STOPPER				*		1	1.00
42		CQ200000000		OIL WICK	FOR PLC-- 2760,2760-- 7, 2760L,2765					.27	
43		40013595		OIL_EXIT_CAP						1	
44		RO098240100		O-RING						1	
45		SL6051092TN		SCREW M5 L=10						3	
46		SM8050512TP		SCREW						1	
47		40101721		ECCENTRIC_CAM						1	
48		23540305		CAP	FOR PLC-- 2710,2710-7					1	
49		SM6061802TP		SCREW M6 L=18						1	
50		40022407		CORD HOLDER						1	
51		SM4040655SP		SCREW M4 L=6						1	
52		EA9500B0100		CABLE BAND	FOR PLC-- 2710,2710-7					4	
53		23629504		DISTRIBUTOR						1	
54		40126582		RUBBER_PLUG						1	
55		10773000		FELT	FOR PLC-- 2710,2710-7					1	
56		10773000		FELT	FOR PLC-- 2760,2760-- 7, 2760L,2765					2	
57		BP500000000		VINYL PIPE						.2	
58		BP500000000		VINYL PIPE	FOR PLC-- 2760,2760-- 7, 2760L,2765					.2	
59		13142609		OIL TUBE HOLDER	FOR PLC-- 2710,2710-7					7	
60		B1834512000A		OIL ADJUSTING SCREW						2	
61		23630007		TUBE						.12	
62		23630007		TUBE						.14	
63		23630007		TUBE						.35	
64		23630007		TUBE	FOR PLC-- 2760,2760-- 7, 2760L,2765					.08	
65		23630007		TUBE	FOR PLC-- 2760,2760-- 7, 2760L,2765					.09	
66		23630007		TUBE	FOR PLC-- 2760,2760-- 7, 2760L,2765					.25	
67		23630007		TUBE						.3	
68		23630007		TUBE	FOR PLC-- 2760,2760-- 7, 2760L,2765					.3	
69		23630007		TUBE	FOR PLC-- 2760,2760-- 7, 2760L,2765					.26	

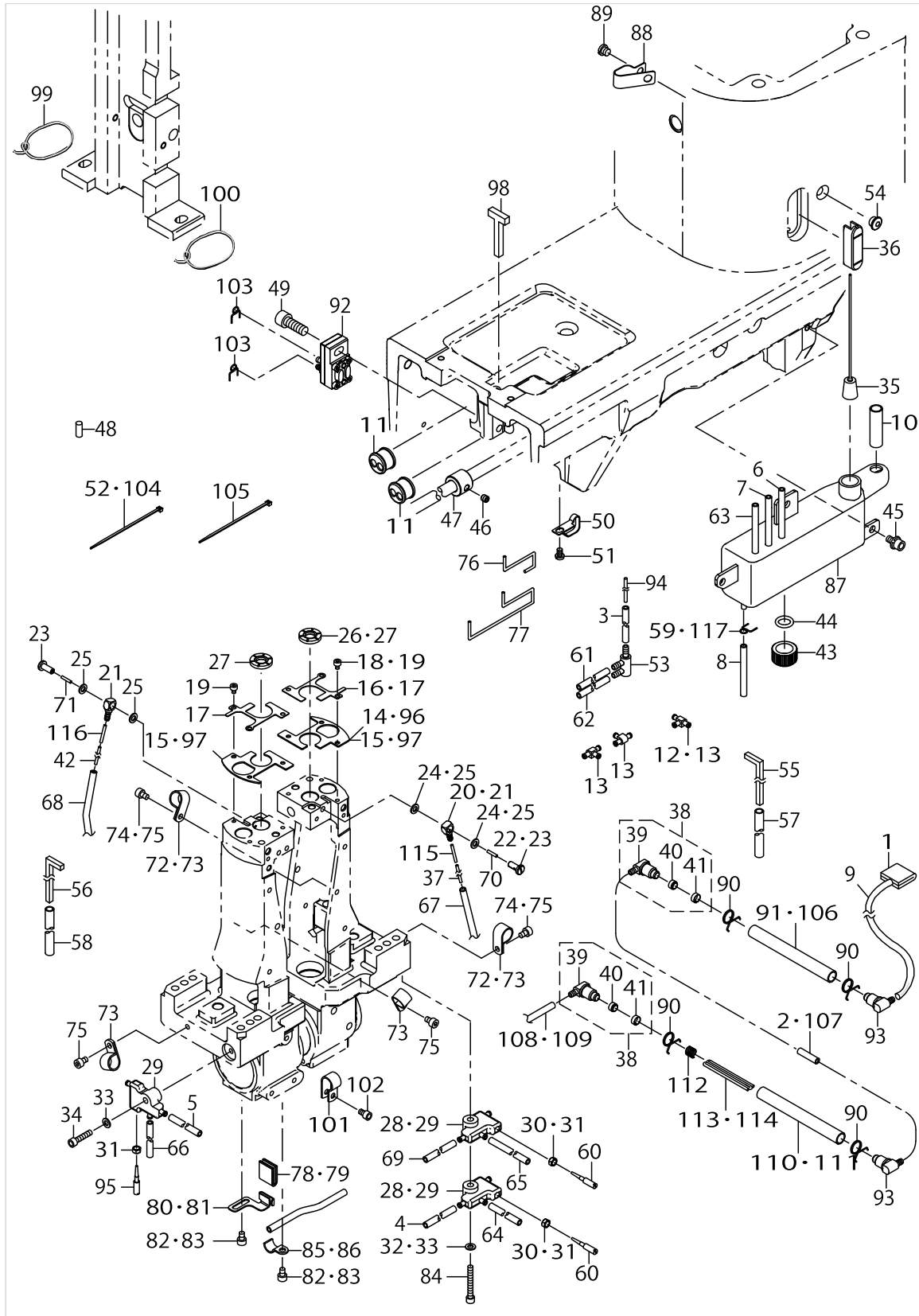
LUBRICATION COMPONENTS



LUBRICATION COMPONENTS

No.	Supply Code	Parts No.	Replacement	Parts name	Remarks	Choice	Step	Level	Cons	Qty	Rep. QTY
70		CQ202000000		COTTON OIL WICK D=2						.08	
71		CQ202000000		COTTON OIL WICK D=2	FOR PLC-- 2760,2760-- 7, 2760L,2765					.012	
72		HX00150000D		CABLE CLAMP	FOR PLC-- 2710,2710-7					2	
73		HX00150000D		CABLE CLAMP	FOR PLC-- 2760,2760-- 7, 2760L,2765					4	
74		SM6040602TP		SCREW M4X0.7 L=6	FOR PLC-- 2710,2710-7					2	
75		SM6040602TP		SCREW M4X0.7 L=6	FOR PLC-- 2760,2760-- 7, 2760L,2765					4	
76		CQ202000000		COTTON OIL WICK D=2	FOR PLC-- 2710,2710-7					.08	
77		CQ202000000		COTTON OIL WICK D=2	FOR PLC-- 2760,2760-- 7, 2760L,2765					.48	
78		40133762		VILENE	FOR PLC-- 2710,2710-7					1	
79		40133762		VILENE	FOR PLC-- 2760,2760-- 7, 2760L,2765					2	
80		40133595		VILENE HOLDER	FOR PLC-- 2710,2710-7					1	
81		40133595		VILENE HOLDER	FOR PLC-- 2760,2760-- 7, 2760L,2765					2	
82		SM6040602TP		SCREW M4X0.7 L=6	FOR PLC-- 2710,2710-7					3	
83		SM6040602TP		SCREW M4X0.7 L=6	FOR PLC-- 2760,2760-- 7, 2760L,2765					6	
84		SM6043002TN		SCREW						1	
85	D	D2611555B00		CABLE HOLDER	FOR PLC-- 2710,2710-7					1	
86	D	D2611555B00		CABLE HOLDER	FOR PLC-- 2760,2760-- 7, 2760L,2765					2	
87		40133922		OIL_TANK						1	
88		D2112555B00		CORD HOLDER						1	
89		SM6060550TP		SCREW M6 L=4.5						1	
90		23629405		PIPE STOPPER B						8	
91		23630106		TUBE B						.03	
92		40101719		PUMP_BASE_ASSY						1	
93		23630601		OIL FILTER JOINT						6	
94		CQ252000000		OIL WICK						.025	
95		B1834512000A		OIL ADJUSTING SCREW	FOR PLC-- 2760,2760-- 7, 2760L,2765					1	
96		40137885		FELT	FOR PLC--2710					1	
97		40137885		FELT	FOR PLC-- 2760,2760L,2765					2	
98		40137517		FELT						1	
99		CQ200000000		OIL WICK						.1	
100		CQ200000000		OIL WICK						.1	
101		HX00150000D		CABLE CLIP	FOR PLC-- 2760,2760L,2765					1	
102		SM6040602TP		SCREW M4 L=6	FOR PLC-- 2760,2760L,2765					1	
103		23629306		PIPE STOPPER A						2	

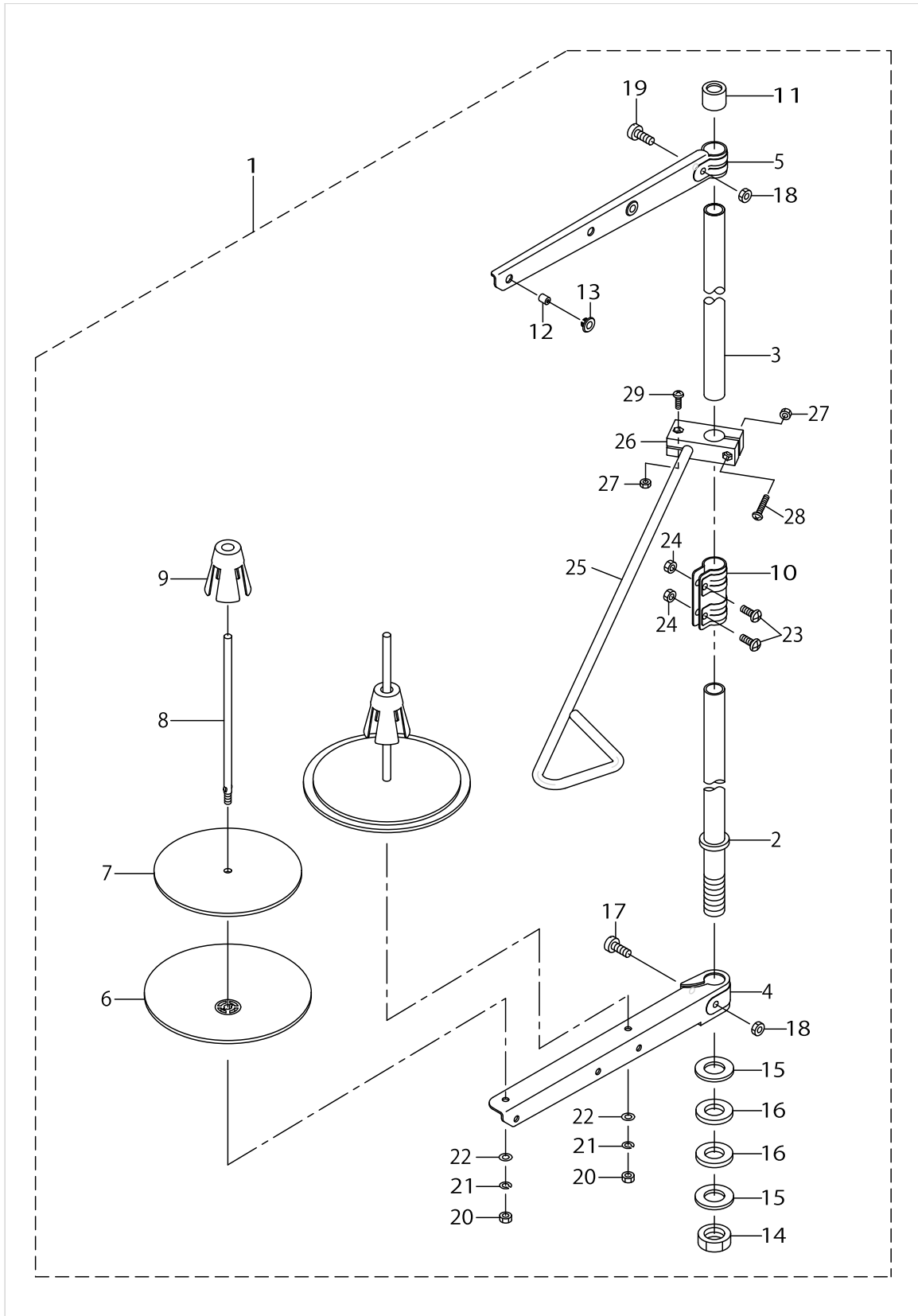
LUBRICATION COMPONENTS



LUBRICATION COMPONENTS

No.	Supply Code	Parts No.	Replacement	Parts name	Remarks	Choice	Step	Level	Cons	Qty	Rep. QTY
104		EA9500B0100		CABLE BAND	FOR PLC-- 2760,2760-- 7, 2760L,2765					5	
105		EA9500B0200		CABLE BAND 150						3	
106		23630106		TUBE B						.03	
107		23630007		TUBE						.05	
108		23630007		TUBE						.1	
109		23630007		TUBE						.1	
110		23630106		TUBE B						.09	
111		23630106		TUBE B						.09	
112		12210803		SPRING						2	
113	R	CQ300000000	CQ303000000	OIL WICK						.26	1.00
114	R	CQ300000000	CQ303000000	OIL WICK						.26	1.00
115		12316907		OIL WICK (VERTICAL C)						1	
116		12316907		OIL WICK (VERTICAL C)	FOR PLC-- 2760,2760-- 7, 2760L,2765					1	
117		13142609		OIL TUBE HOLDER	FOR PLC-- 2760,2760-- 7, 2760L,2765					10	

THREAD STAND COMPONENTS(FOR PLC-2710,2710-7)

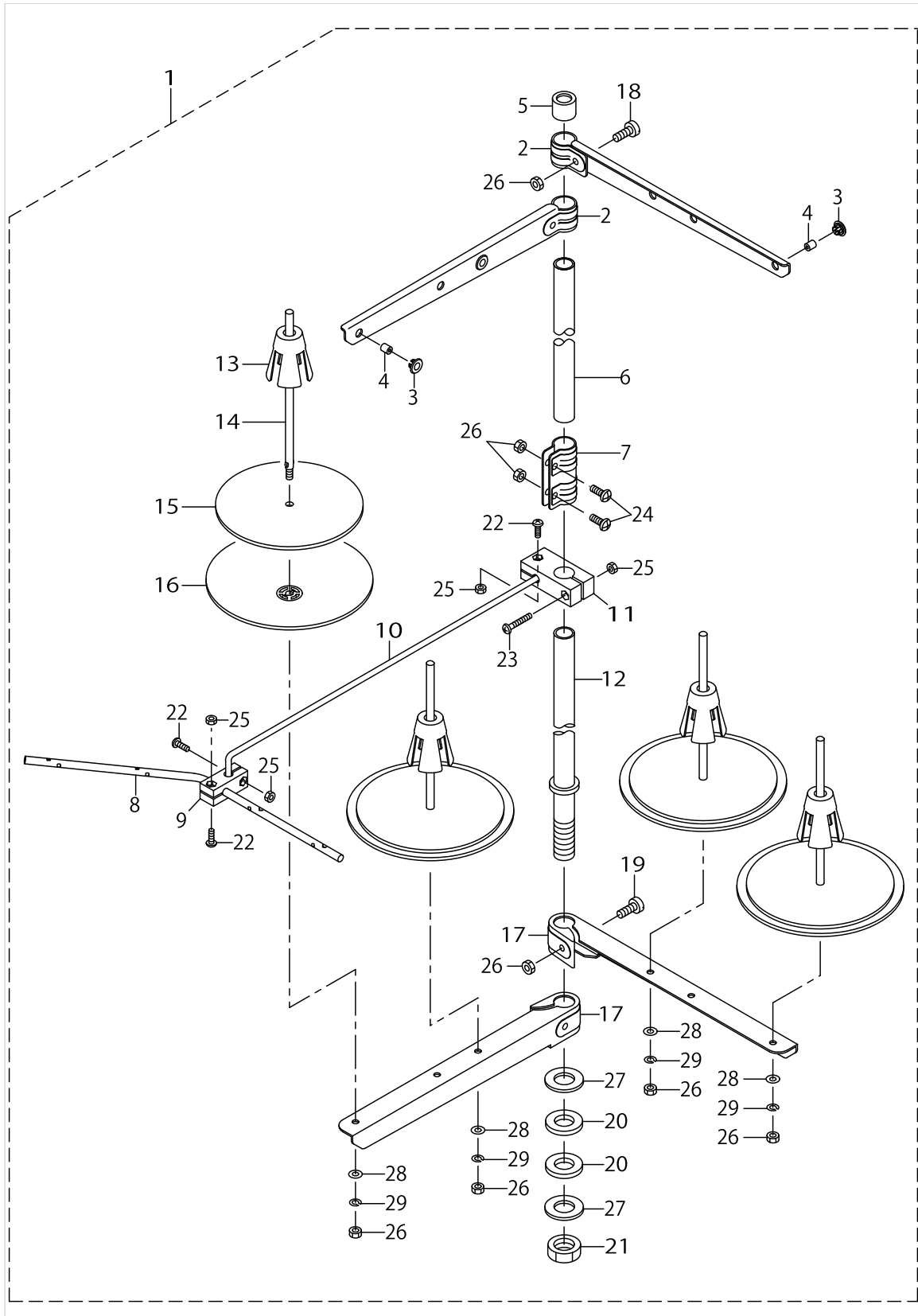


THREAD STAND COMPONENTS(FOR PLC-2710,2710-7)

No.	Supply Code	Parts No.	Replacement	Parts name	Remarks	Choice	Step	Level	Cons	Qty	Rep. QTY
1	R	40111351	40111352	THREAD STAND ASM.						1	1.00
2		40085784		SPOOL REST ROD LOWER				*		1	
3		40085785		SPOOL REST ROD UPPER				*		1	
4		40085786		SPOOL REST ARM LOWER				*		1	
5		40085787		SPOOL REST ARM UPPER				*		1	
6		40085788		SPOOL REST				*		2	
7		40085789		SPOOL REST CUSHION				*		2	
8		40085790		SPOOL PIN				*		2	
9		40085791		SPOOL RETAINER				*		2	
10		40085792		SPOOL REST ROD JOINT				*		1	
11		40085793		SPOOL REST ROD RUBBER CAP				*		1	
12		40085794		THREAD GUIDE				*		2	
13		40085795		THREAD GUIDE BUSHING				*		2	
14		40096325		SPOOL REST ROD NUT				*		1	
15		WP1612616SE		WASHER 16X30X2.6				*		2	
16		40085796		SPOOL REST ROD RUBBER CUSHION				*		2	
17		40096326		SPOOL REST ARM LOWER SCREW				*		1	
18		NM6050001SE		NUT M5				*		2	
19	R	40096327	SM4053001SE	SPOOL REST ARM UPPER SCREW				*		1	1.00
20		NM6050001SE		NUT M5				*		2	
21		WS0510002KN		SPRING WASHER M5				*		2	
22		WP0531001SC		WASHER M5				*		2	
23		SM4051405SE		SCREW M5 L=14				*		2	
24		NM6050001SE		NUT M5				*		2	
25		40111350		SPOOL REST THREAD GUIDE B				*		1	
26		40106579		THREAD GUIDE ARM BASE				*		1	
27	R	NM6040002SC	NM6040002SE	NUT M4				*		2	1.00
28		SM4042501SC		SCREW M4X0.7 L=25				*		1	
29		SM4041201SC		SCREW M4 L=12				*		1	



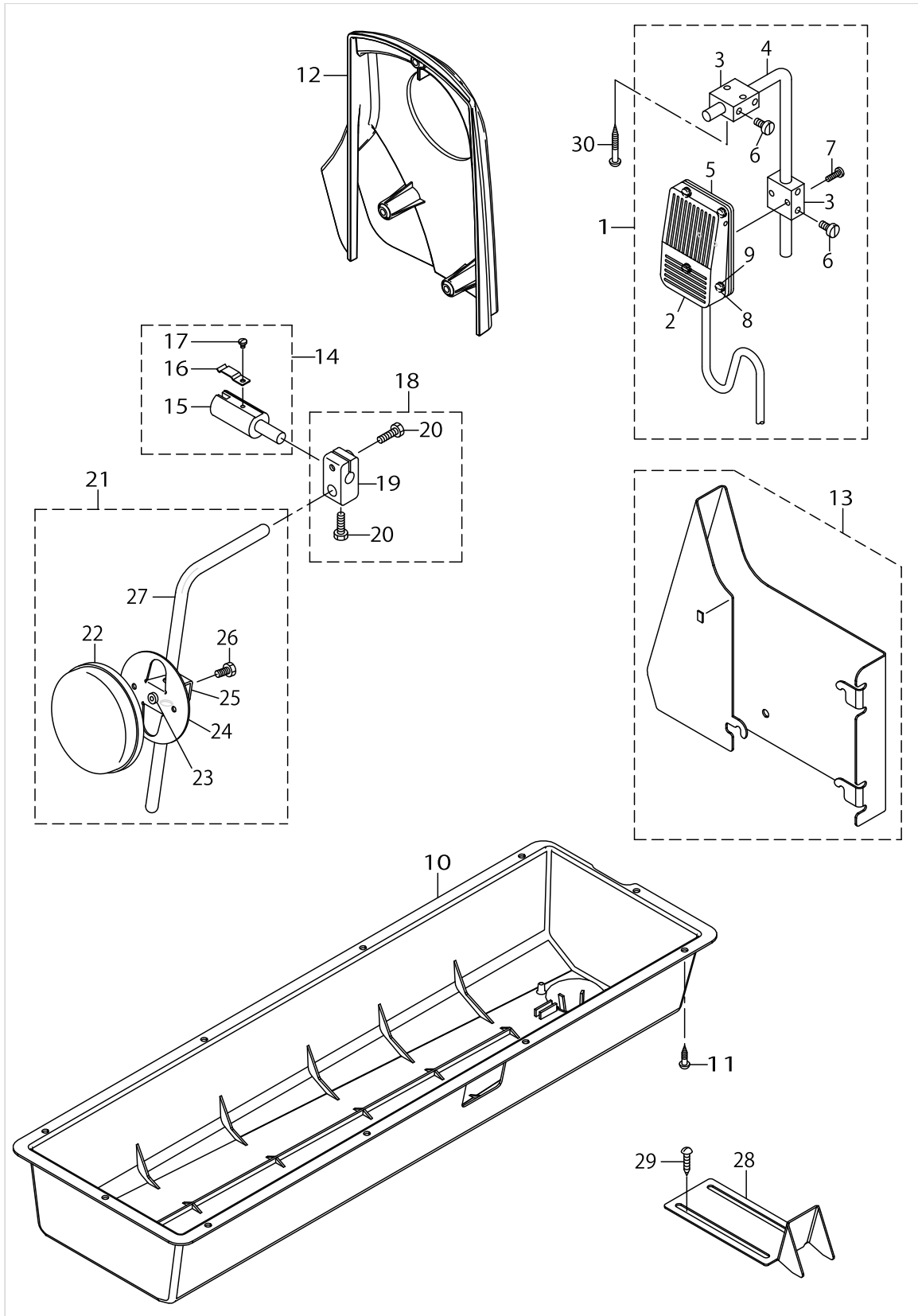
THREAD STAND COMPONENTS(FOR PLC-2760,2760-7,2760L,2765)



THREAD STAND COMPONENTS(FOR PLC-2760,2760-7,2760L,2765)

No.	Supply Code	Parts No.	Replacement	Parts name	Remarks	Choice	Step	Level	Cons	Qty	Rep. QTY
1		40106584		THREAD STAND PACKING						1	
2		40085787		SPOOL REST ARM UPPER				*		2	
3		40085795		THREAD GUIDE BUSHING				*		4	
4		40085794		THREAD GUIDE				*		4	
5		40085793		SPOOL REST ROD RUBBER CAP				*		1	
6		40085785		SPOOL REST ROD UPPER				*		1	
7		40085792		SPOOL REST ROD JOINT				*		1	
8		40106582		THREAD GUIDE 4				*		1	
9		40106580		THREAD GUIDE UNDER BASE				*		1	
10		40106576		THREAD GUIDE ARM				*		1	
11		40106579		THREAD GUIDE ARM BASE				*		1	
12		40085784		SPOOL REST ROD LOWER				*		1	
13		40085791		SPOOL RETAINER				*		4	
14		40085790		SPOOL PIN				*		4	
15		40085789		SPOOL REST CUSHION				*		4	
16		40085788		SPOOL REST				*		4	
17		40085786		SPOOL REST ARM LOWER				*		2	
18	R	40096327	SM4053001SE	SPOOL REST ARM UPPER SCREW				*		2	1.00
19		40096326		SPOOL REST ARM LOWER SCREW				*		2	
20		40085796		SPOOL REST ROD RUBBER CUSHION				*		2	
21		40096325		SPOOL REST ROD NUT				*		1	
22		SM4041201SC		SCREW M4 L=12				*		3	
23		SM4042501SC		SCREW M4X0.7 L=25				*		1	
24		SM4051405SE		SCREW M5 L=14				*		2	
25	R	NM6040002SC	NM6040002SE	NUT M4				*		4	1.00
26		NM6050001SE		NUT M5				*		10	
27		WP1612616SE		WASHER 16X30X2.6				*		2	
28		WP0531001SC		WASHER M5				*		4	
29		WS0510002KN		SPRING WASHER M5				*		4	

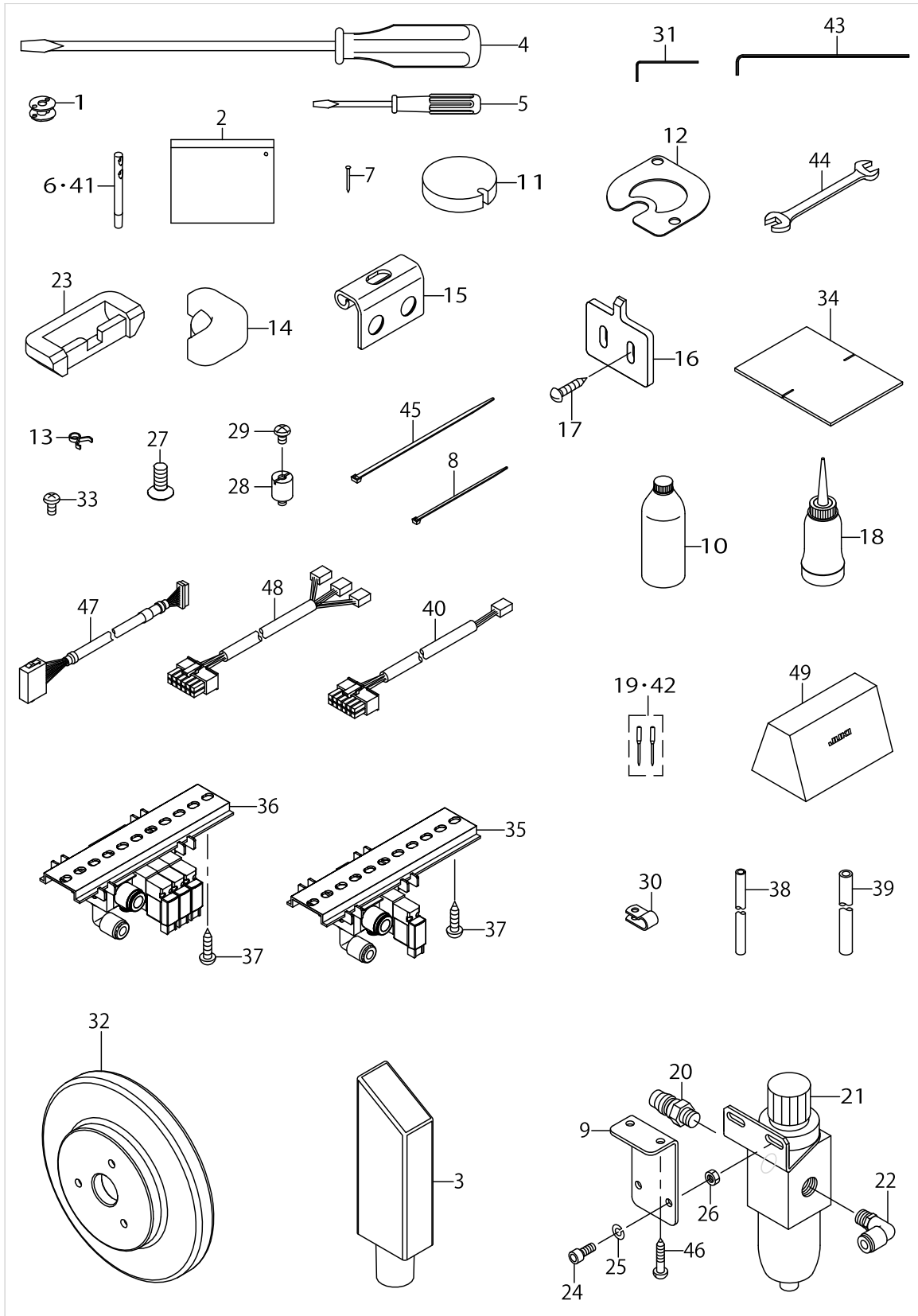
ACCESSORIES PARTS COMPONENTS (1)



ACCESSORIES PARTS COMPONENTS (1)

No.	Supply Code	Parts No.	Replacement	Parts name	Remarks	Choice	Step	Level	Cons	Qty	Rep. QTY
1		40025036		KNEE SWITCH ASM.	FOR PLC-- 2710-7,2760-7					1	
2		40025035		KNEE SWITCH ASM.				*		1	
3		MAT80230T00		KNEE SWITCH SUPPORT BASE				*		2	
4		MAT80231T00		DRIVING BAR T002				*		1	
5	D	MAT80232T00		KNEE SWITCH SUPPORT PLATE				*		1	
6		SS6151220SP		SCREW 15/64-28 L=11.5				*		4	
7	R	SS7111410SP	SS7111410TP	SCREW 11/64-40L=14				*		2	1.00
8		SS7110710SL		SCREW 11/64-40 L=7.0				*		4	
9		WP0480856SP		WASHER 4.8X8.4X0.8				*		4	
10		40126155		OIL_PAN						1	
11		SK3482001SE		WOOD SCREW D=4.8 L=20						10	
12		40139001		BELT COVER ASM.	FOR PLC-- 2710,2760, 2760L,2765					1	
13		40135153		POST COVER ASM.	FOR PLC-- 2710,2760, 2760L,2765					1	
14		22863252		KNEE LIFTER JOINT ASM.	FOR PLC-- 2710,2760, 2760L,2765					1	
15	R	22863203	22863252	KNEE LIFTER JOINT				*		1	1.00
16		B3428521000		PRESSER SPRING				*		1	
17		SS7090510SP		SCREW 9/64-40 L=4.6				*		1	
18		22932453		BRACKET ASM.	FOR PLC-- 2710,2760, 2760L,2765					1	
19	R	22932404	22932453	BRACKET				*		1	1.00
20		22934707		SCREW				*		2	
21		21343157		KNEE PRESS PLATE ASM.	FOR PLC-- 2710,2760, 2760L,2765					1	
22		22934509		KNEE PAD PLATE COVER				*		1	
23		22934400		KNEE PAD PLATE RUBBER				*		1	
24		22934202		KNEE PAD PLATE				*		1	
25		22934301		KNEE PAD PLATE SUPPORT				*		1	
26		SM9061203SE		SCREW M6 L=12				*		1	
27	R	21343108	21343157	KNEE PRESS LEVER				*		1	1.00
28		40130909		POST_COVER_B	FOR PLC-- 2710,2760, 2760L,2765					1	
29	R	SK3482500SC	SK3482501SE	WOOD SCREW D=4.8 L=25	FOR PLC-- 2710,2760, 2760L,2765					2	1.00
30	R	SK3514000SC	SK3514001SE	WOOD SCREW D=5.1 L=40	FOR PLC-- 2710-7,2760-7					2	1.00

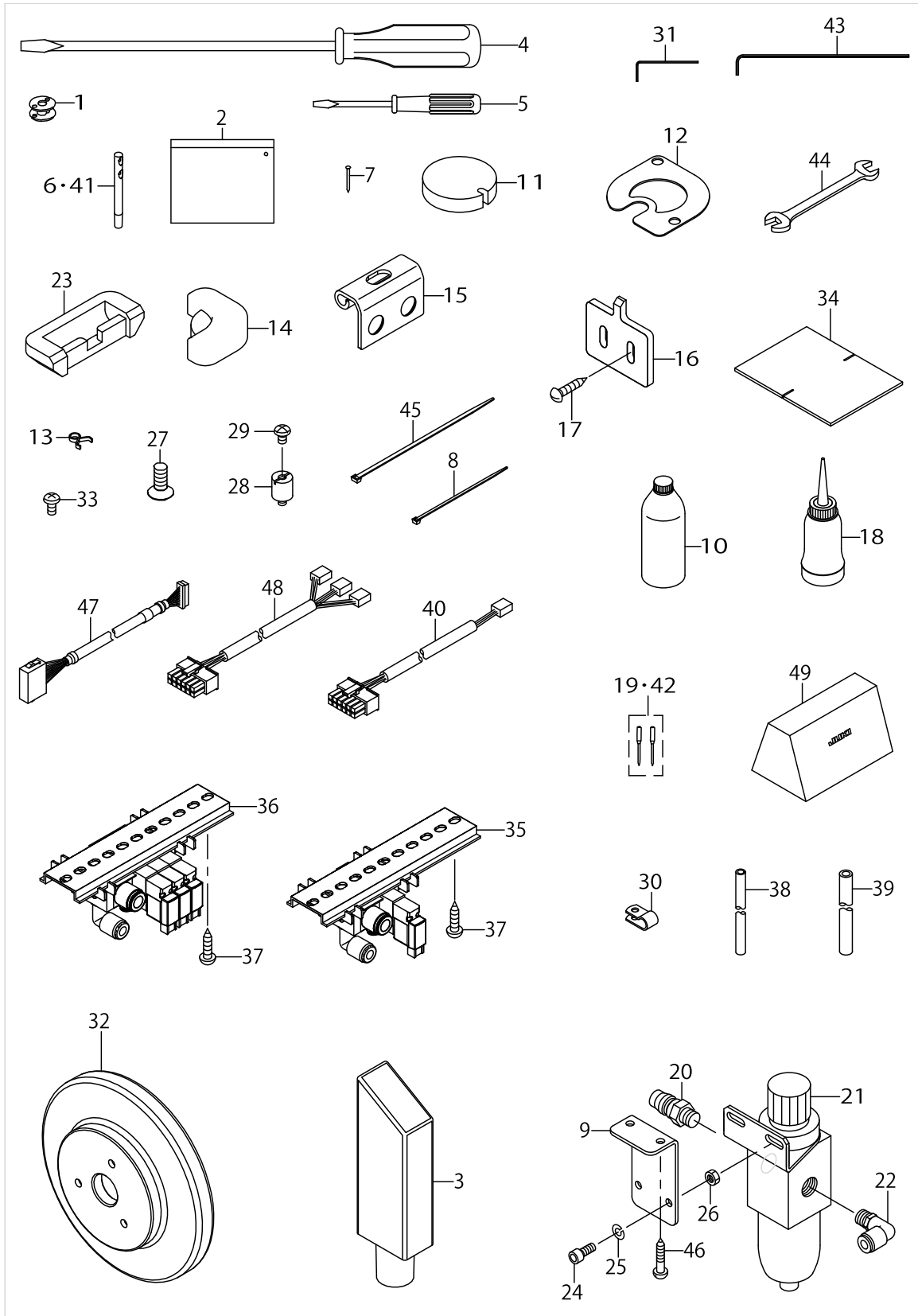
ACCESSORIES PARTS COMPONENTS (2)



ACCESSORIES PARTS COMPONENTS (2)

No.	Supply Code	Parts No.	Replacement	Parts name	Remarks	Choice	Step	Level	Cons	Qty	Rep. QTY
1		21334800		ALUMINUM BOBBIN WITH KNURL					☆	1	
2		22932800		ACCESSORIE BAG						1	
3		40133301		FRAME_SUPPORT_BAR						1	
4		22933105		SCREW DRIVER MIDDLE						1	
5		22933204		SCREW DRIVER SMALL						1	
6		22958300		NEEDLE THREAD GUIDE PIN	FOR PLC-- 2710,2710-7					1	
7		10539906		SET NAIL						12	
8		EA9500B0100		CABLE BAND	FOR PLC-- 2710(WITH AK), 2710(- WITH AK,B- T,DL), 276- 0(WITH AK- ) ,2760L(WI- TH AK) 27- 65(WITH A- K),2760(WI- TH AK,BT,- DL 2760L(- WITH AK,B- T,DL) 2765- (WITH AK,BT,DL) FOR PLC-- 2710-7,276- 0-7, 2710(- WITH AK), 2760(WITH AK,BT,DL), 2760L(WITH AK,BT,DL), 2765(WITH AK,BT,DL)					2	
9		13860408		REGULATOR BRACKET						1	
10		MDFRX1600C0		DEFRIX OIL NO.1(600CC)						1	
11		40126405		OIL_FILTER						1	
12		40126267		FELT HOLDER						1	
13		23629306		PIPE STOPPER A						2	
14		40126152		CUSHION RUBBER						2	
15		40131015		HINGE						2	
16		40131014		HINGE_STOPPER						2	
17	R	SK3482500SC	SK3482501SE	WOOD SCREW D=4.8 L=25						4	1.00
18		B91210120A0		OILER ASM.						1	
19		M13517B1402		NEEDLE 135X17 #140-2					☆	1	
20		PJ025100003		PLUG	FOR PLC-- 2710-7,276- 0-7, 2710(- WITH AK), 2760(WITH AK,BT,DL), 2760L(WITH AK,BT,DL), 2765(WITH AK,BT,DL) FOR PLC-- 2710-7,276- 0-7, 2710(- WITH AK), 2760(WITH AK,BT,DL), 2760L(WITH AK,BT,DL), 2765(WITH AK,BT,DL)					1	
21		PF055107000		FILTER REGULATOR						1	

ACCESSORIES PARTS COMPONENTS (2)

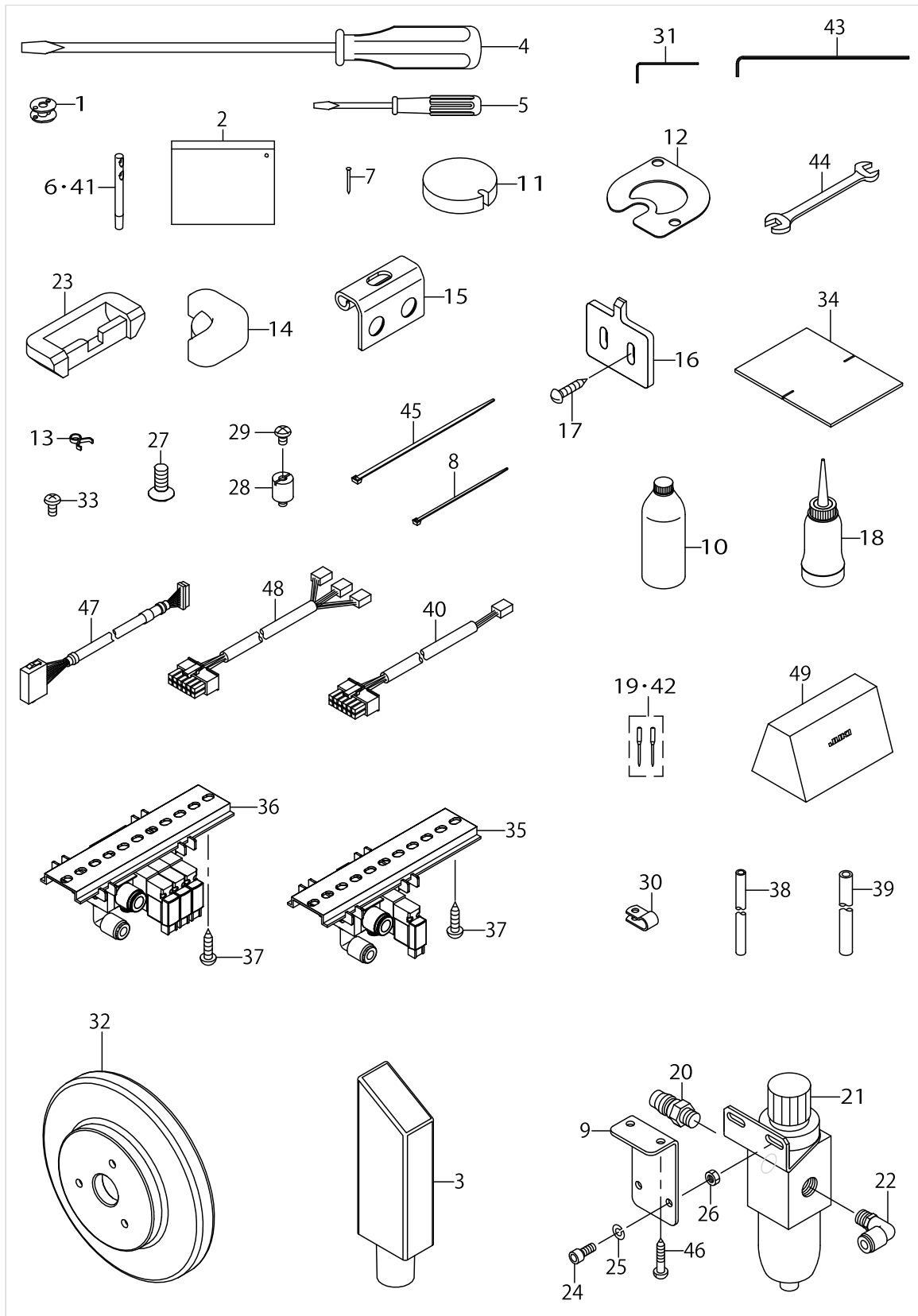


ACCESSORIES PARTS COMPONENTS (2)

No.	Supply Code	Parts No.	Replacement	Parts name	Remarks	Choice	Step	Level	Cons	Qty	Rep. QTY
22		PJ304065101		ELBOW UNION 6XPT1/8	FOR PLC-- 2710-7,276- 0-7, 2710(- WITH AK), 2760(WITH AK,BT,DL), 2760L(WITH AK,BT,DL), 2765(WITH AK,BT,DL)					1	
23	R	22926000	22958052	RUBBER CUSHION						2	1.00
24		SM6051202TP		SCREW M5X0.8 L=12	FOR PLC-- 2710-7,276- 0-7, 2710(- WITH AK), 2760(WITH AK,BT,DL), 2760L(WITH AK,BT,DL), 2765(WITH AK,BT,DL)					2	
25		WS0510002KN		SPRING WASHER M5	FOR PLC-- 2710-7,276- 0-7, 2710(- WITH AK), 2760(WITH AK,BT,DL), 2760L(WITH AK,BT,DL), 2765(WITH AK,BT,DL)					2	
26		NM6050001SP		NUT M5	FOR PLC-- 2710-7,276- 0-7, 2710(- WITH AK), 2760(WITH AK,BT,DL), 2760L(WITH AK,BT,DL), 2765(WITH AK,BT,DL)					2	
27		B1516210D00		SCREW						4	
28		40126222		CP_SPACER	FOR PLC-- 2710-7,2760-7					2	
29		SM4050855SP		SCREW	FOR PLC-- 2710-7,2760-7					2	
30		HX00150000B		CABLE CLIP	FOR PLC-- 2710-7,2760-7					1	
31		40079298		WRENCH						1	
32		40026457		HAND WHEEL B	FOR PLC-2710,2760					1	
33		SM4051055SP		SCREW	FOR PLC-2710,2760					9	
34		40133730		OIL FILTER						1	
35		40133982		SOLENOID VALVE ASM.	FOR PLC-- 2710(WITH AK), 2760(- WITH AK),2- 760L(WITH AK), 2765(WITH AK)					1	
36		40133978		SOLENOID VALVE ASM.	FOR PLC-- 2710(WITH AK,BT,DL), 2760(WITH AK,BT,DL), 2760L(WITH AK,BT,DL) 2765(WITH AK,BT,DL)					1	



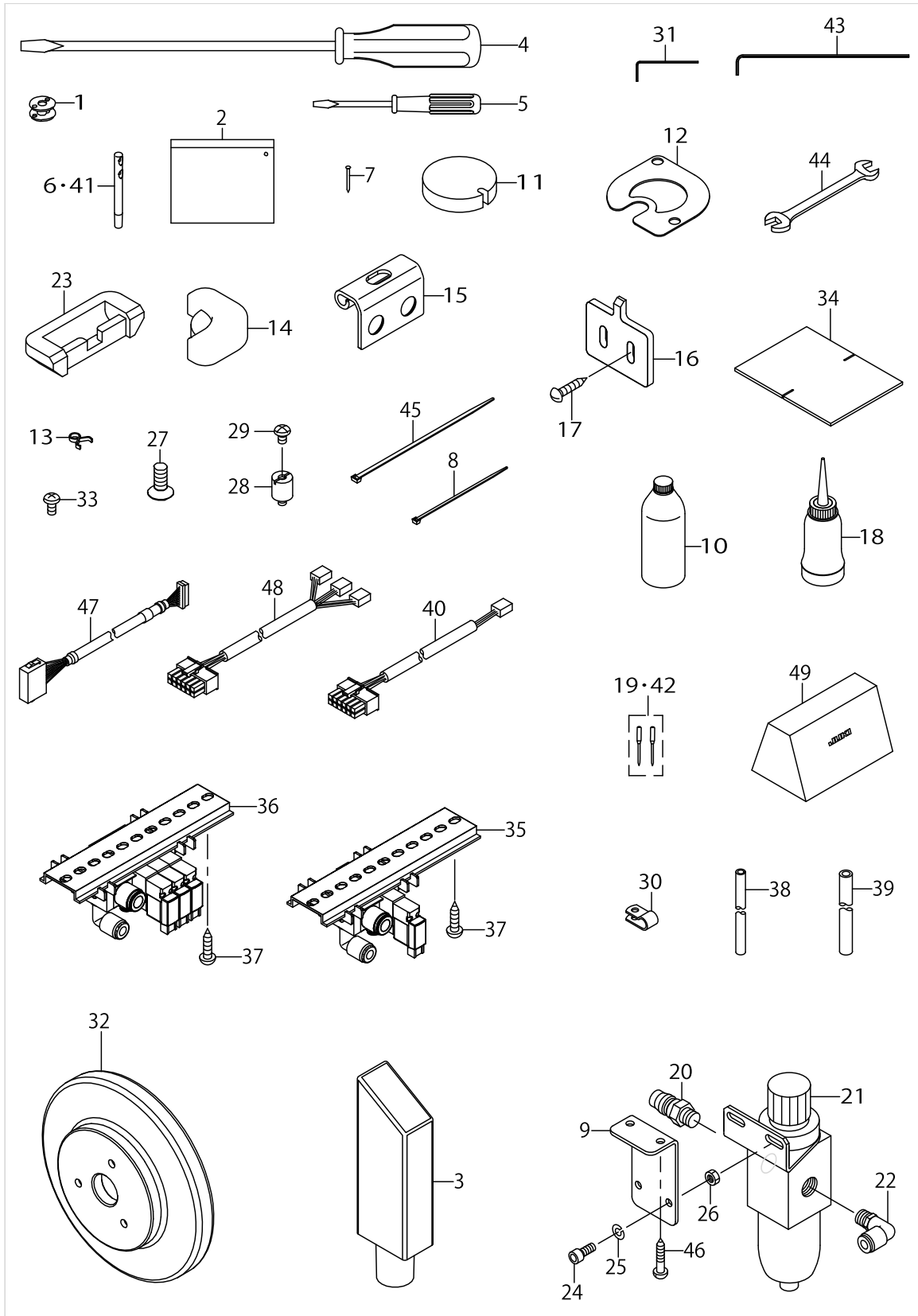
ACCESSORIES PARTS COMPONENTS (2)



ACCESSORIES PARTS COMPONENTS (2)

No.	Supply Code	Parts No.	Replacement	Parts name	Remarks	Choice	Step	Level	Cons	Qty	Rep. QTY
37		SK3482001SE		WOOD SCREW D=4.8 L=20	FOR PLC-- 2710(WITH AK), 2710(- WITH AK,B- T,DL), 276- 0(WITH AK- ),2760L(WI- TH AK) 27- 65(WITH A- K),2760(WI- TH AK,BT,- DL 2760L(- WITH AK,B- T,DL) 2765- (WITH AK,BT,DL)					2	
38		BT0600401EB		TUBE	FOR PLC-- 2710(WITH AK), 2710(- WITH AK,B- T,DL), 276- 0(WITH AK- ),2760L(WI- TH AK) 27- 65(WITH A- K),2760(WI- TH AK,BT,- DL 2760L(- WITH AK,B- T,DL) 2765- (WITH AK,BT,DL)					1.1	
39		BT0800501EB		VINYL TUBE	FOR PLC-- 2710(WITH AK), 2710(- WITH AK,B- T,DL), 276- 0(WITH AK- ),2760L(WI- TH AK) 27- 65(WITH A- K),2760(WI- TH AK,BT,- DL 2760L(- WITH AK,B- T,DL) 2765- (WITH AK,BT,DL)					1.1	
40		40133983		SOLENOID VALVE CABLE ASM.	FOR PLC-- 2710(WITH AK), 2760(- WITH AK),2- 760L(WITH AK), 2765(WITH AK)					1	
41		22958300		NEEDLE THREAD GUIDE PIN	FOR PLC-- 2760,2760-- 7,2760L, 2765					2	
42		M13517B2002		NEEDLE 135X17 #200-2	FOR PLC-2760L				☆	1	
43		10777407		WRENCH 2.5MM						1	
44		B9113012000		WRENCH (9X10)						1	
45		EA9500B0200		CABLE BAND 150	FOR PLC-- 2710(WITH AK), 2710(- WITH AK,B- T,DL), 276- 0(WITH AK- ),2760L(WI- TH AK) 27- 65(WITH A- K),2760(WI- TH AK,BT,- DL 2760L(- WITH AK,B- T,DL) 2765- (WITH AK,BT,DL)					3	

ACCESSORIES PARTS COMPONENTS (2)



ACCESSORIES PARTS COMPONENTS (2)

No.	Supply Code	Parts No.	Replacement	Parts name	Remarks	Choice	Step	Level	Cons	Qty	Rep. QTY
46		SK3482001SE		WOOD SCREW D=4.8 L=20	FOR PLC-- 2710-7,276- 0-7, 2710(- WITH AK), 2760(WITH AK,BT,DL), 2760L(WITH AK,BT,DL), 2765(WITH AK,BT,DL)  FOR PLC-- 2710(WITH AK), 2710(- WITH AK,B- T,DL), 276- 0(WITH AK- ,2760L(WI- TH AK) 27- 65(WITH A- K),2760(WI- TH AK,BT,- DL 2760L(- WITH AK,B- T,DL) 2765- (WITH AK,BT,DL)					2	
47		40133985		AIR VALVE RELAY CABLE ASM.	FOR PLC-- 2710(WITH AK), 2710(- WITH AK,B- T,DL), 276- 0(WITH AK- ,2760L(WI- TH AK) 27- 65(WITH A- K),2760(WI- TH AK,BT,- DL 2760L(- WITH AK,B- T,DL) 2765- (WITH AK,BT,DL)					1	
48		40133979		SOLENOID VALVE CABLE ASM.	FOR PLC-- 2710(WITH AK,BT,DL), 2760(WITH AK,BT,DL), 2760L(WITH AK,BT,DL) 2765(WITH AK,BT,DL)					1	
49		40027770		VINYL COVER						1	

TABLE OF EXCHANGING GAUGE PARTS(FOR PLC-2710,2710-7)


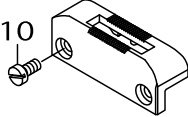
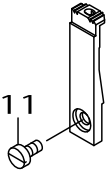

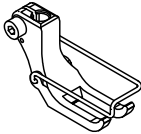
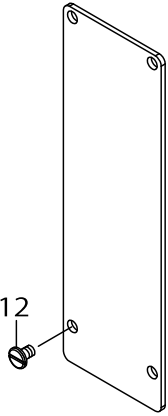
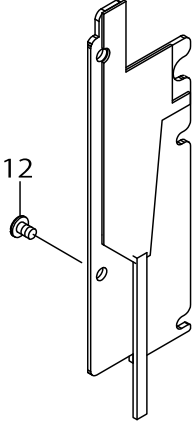
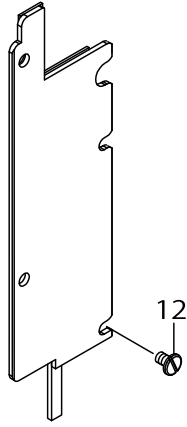
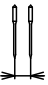
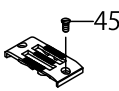

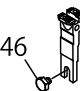
Needle bar threas guide 針棒糸掛け		Needle plate 針板			
		PLC-2710		PLC-2710-7	
					
Ref.No.	1	Ref.No.	2	Ref.No.	3
Part No.	B1418-141-H00	Part No.	401-30068	Part No.	401-30067
Feed dog 送り歯		Feed foot asm. 送り足 (組)		Presser foot asm. 押え足 (組)	
					
Ref.No.	4	Ref.No.	5	Ref.No.	6
Part No.	401-30061	Part No.	107-11653	Part No.	107-12552
Feed lever base cover 送りてこ台カバー		Feed lever base cover F asm. 側面カバーF (組)		Feed lever base cover A asm. 側面カバーA (組)	
					
Ref.No.	7	Ref.No.	8	Ref.No.	9
Part No.	401-29979	Part No.	401-34098	Part No.	401-34097


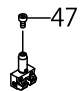


TABLE OF EXCHANGING GAUGE PARTS(FOR PLC-2710,2710-7)

No.	Supply Code	Parts No.	Replacement	Parts name	Remarks	Choice	Step	Level	Cons	Qty	Rep. QTY
1		B1418141H00		NEEDLE BAR THREAD GUIDE					☆	1	
2		40130068		NEEDLE_PLATE	FOR PLC-2710				☆	1	
3		40130067		NEEDLE_PLATE	FOR PLC-2710-7				☆	1	
4		40130061		FEED_DOG					☆	1	
5		10711653		FEED FOOT ASM.					☆	1	
6		10712552		PRESSER FOOT ASM.					☆	1	
7		40129979		FEED_LEVER_BASE_COVER						1	
8		40134098		FEED LEVER BASE COVER F ASM.						1	
9		40134097		FEED LEVER BASE COVER A ASM.						1	
10		SM6040800SP		SCREW						2	
11		SS6110480SP		SCREW 11/64-40 L=4.3						1	
12		SM6040650TP		SCREW						4	

TABLE OF EXCHANGING GAUGE PARTS(1)(FOR PLC-2760,2760-7,2760L,2765)

Needle gauge size 針幅		Throat plate 針板							
Code コード		PLC-2760		PLC-2760-7		PLC-2760L		PLC-2765	
									
	mm	Ref No.	Part No.	Ref No.	Part No.	Ref No.	Part No.	Ref No.	Part No.
B	6	1	401-31017	5	401-30927		-		-
C	8	2	401-31016	6	401-30908	42	401-53188	10	401-31016
D	10	3	401-30065	7	401-30064	9	401-30066	11	401-30065
E	12	4	401-31018	8	401-30928		-		-
B	6	34	401-44890	38	401-44901				
C	8	35	401-44893	39	401-44903				
D	10	36	401-44896	40	401-44905				
E	12	37	401-44899	41	401-44907				

Needle gauge size 針幅		Feed dog 送り歯					
Code コード		PLC-2760・2760-7		PLC-2760L		PLC-2765	
							
	mm	Ref No.	Part No.	Ref No.	Part No.	Ref No.	Part No.
B	6	12	401-30925		-		-
C	8	13	401-30907	43	401-53187	17	401-30907
D	10	14	401-30062	16	401-30063	18	401-30062
E	12	15	401-30926		-		-

Needle gauge size 針幅		Needle clamp asm. 針留め(組)		Needle clamp asm. Left 針留め(組)左		Needle clamp asm. Right 針留め(組)右	
Code コード				PLC-2765			
							
	mm	Ref No.	Part No.	Ref No.	Part No.	Ref No.	Part No.
B	6	19	400-38778		-		-
C	8	20	400-38776	23	400-62043	25	400-62041
D	10	21	400-38774	24	230-23856	26	230-21355
E	12	22	400-38772		-		-



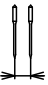
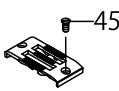
Needle gauge size 針幅		Feed foot for guide asm. ガイド用送り足(組)					
Code コード		PLC-2760・2760-7		PLC-2760L		PLC-2765	
							
	mm	Ref No.	Part No.	Ref No.	Part No.	Ref No.	Part No.
B	6	27	400-38854		-		-
C	8	28	400-38852	44	400-67204	32	400-38852
D	10	29	400-38850	31	400-39271	33	400-38850
E	12	30	400-38848		-		-


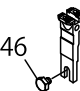
TABLE OF EXCHANGING GAUGE PARTS(1)(FOR PLC-2760,2760-7,2760L,2765)

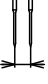
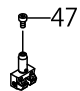


No.	Supply Code	Parts No.	Replacement	Parts name	Remarks	Choice	Step	Level	Cons	Qty	Rep. QTY
1		40131017		NEEDLE_PLATE_6MM_60	FOR PLC-2760				☆	1	
2		40131016		NEEDLE_PLATE_8MM_60	FOR PLC-2760				☆	1	
3		40130065		NEEDLE_PLATE	FOR PLC-2760				☆	1	
4		40131018		NEEDLE_PLATE_12MM_60	FOR PLC-2760				☆	1	
5		40130927		NEEDLE_PLATE_6MM_60_7	FOR PLC-2760-7				☆	1	
6		40130908		NEEDLE_PLATE_8MM_60_7	FOR PLC-2760-7				☆	1	
7		40130064		NEEDLE_PLATE	FOR PLC-2760-7				☆	1	
8		40130928		NEEDLE_PLATE_12MM_60_7	FOR PLC-2760-7				☆	1	
9		40130066		NEEDLE_PLATE	FOR PLC-2760L					1	
10		40131016		NEEDLE_PLATE_8MM_60	FOR PLC-2765					1	
11		40130065		NEEDLE_PLATE	FOR PLC-2765					1	
12		40130925		FEED_DOG_6MM					☆	1	
13		40130907		FEED_DOG_8MM					☆	1	
14		40130062		FEED_DOG_10MM					☆	1	
15		40130926		FEED_DOG_12MM					☆	1	
16		40130063		FEED_DOG_10MM_60L	FOR PLC-2760L					1	
17		40130907		FEED_DOG_8MM	FOR PLC-2765					1	
18		40130062		FEED_DOG_10MM	FOR PLC-2765					1	
19		40038778		NEEDLE_CLAMP(6MM)ASM.					☆	1	
20		40038776		NEEDLE_CLAMP(8MM)ASM.					☆	1	
21		40038774		NEEDLE_CLAMP(10MM)ASM.					☆	1	
22		40038772		NEEDLE_CLAMP(12MM)ASM.					☆	1	
23		40062043		NEEDLE_CLAMP(L) 8MM ASM.	FOR PLC-2765					1	
24		23023856		NEEDLE_CLAMP LEFT ASM.10MM	FOR PLC-2765					1	
25		40062041		NEEDLE_CLAMP (R) 8MM ASM.	FOR PLC-2765					1	
26		23021355		NEEDLE_CLAMP RIGHT ASM.10MM	FOR PLC-2765					1	
27		40038854		FEED FOOT FOR GUIDE(6MM)ASM.					☆	1	
28		40038852		FEED FOOT FOR GUIDE(8MM)ASM.					☆	1	
29		40038850		FEED FOOT FOR G- UIDE(10MM)ASM.					☆	1	
30		40038848		FEED FOOT FOR G- UIDE(12MM)ASM.					☆	1	
31		40039271		FEED FOOT FOR G- UIDE(10MM 60L)ASM.	FOR PLC-2760L					1	
32		40038852		FEED FOOT FOR GUIDE(8MM)ASM.	FOR PLC-2765					1	
33		40038850		FEED FOOT FOR G- UIDE(10MM)ASM.	FOR PLC-2765					1	
34		40144890		NEEDLE_PLATE_6MM_60_ASM	OPTIONAL PARTS(FOR PLC-2760)					1	
35		40144893		NEEDLE_PLATE_8MM_60_ASM	OPTIONAL PARTS(FOR PLC-2760)					1	
36		40144896		NEEDLE_PLATE_10MM_60_ASM	OPTIONAL PARTS(FOR PLC-2760)					1	
37		40144899		NEEDLE_PLATE_12MM_60_ASM	OPTIONAL PARTS(FOR PLC-2760)					1	
38		40144901		NEEDLE_PLATE_6MM_60_7_ASM	OPTIONAL PARTS(FOR PLC-2760-7)					1	
39		40144903		NEEDLE_PLATE_8MM_60_7_ASM	OPTIONAL PARTS(FOR PLC-2760-7)					1	



TABLE OF EXCHANGING GAUGE PARTS(1)(FOR PLC-2760,2760-7,2760L,2765)

Needle gauge size 針幅		Throat plate 針板							
Code コード		PLC-2760		PLC-2760-7		PLC-2760L		PLC-2765	
									
	mm	Ref No.	Part No.	Ref No.	Part No.	Ref No.	Part No.	Ref No.	Part No.
B	6	1	401-31017	5	401-30927		-		-
C	8	2	401-31016	6	401-30908	42	401-53188	10	401-31016
D	10	3	401-30065	7	401-30064	9	401-30066	11	401-30065
E	12	4	401-31018	8	401-30928		-		-
B	6	34	401-44890	38	401-44901				
C	8	35	401-44893	39	401-44903				
D	10	36	401-44896	40	401-44905				
E	12	37	401-44899	41	401-44907				

Needle gauge size 針幅		Feed dog 送り歯					
Code コード		PLC-2760・2760-7		PLC-2760L		PLC-2765	
							
	mm	Ref No.	Part No.	Ref No.	Part No.	Ref No.	Part No.
B	6	12	401-30925		-		-
C	8	13	401-30907	43	401-53187	17	401-30907
D	10	14	401-30062	16	401-30063	18	401-30062
E	12	15	401-30926		-		-

Needle gauge size 針幅		Needle clamp asm. 針留め(組)		Needle clamp asm. Left 針留め(組)左		Needle clamp asm. Right 針留め(組)右	
Code コード				PLC-2765			
							
	mm	Ref No.	Part No.	Ref No.	Part No.	Ref No.	Part No.
B	6	19	400-38778		-		-
C	8	20	400-38776	23	400-62043	25	400-62041
D	10	21	400-38774	24	230-23856	26	230-21355
E	12	22	400-38772		-		-





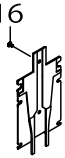
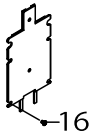
Needle gauge size 針幅		Feed foot for guide asm. ガイド用送り足(組)					
Code コード		PLC-2760・2760-7		PLC-2760L		PLC-2765	
							
	mm	Ref No.	Part No.	Ref No.	Part No.	Ref No.	Part No.
B	6	27	400-38854		-		-
C	8	28	400-38852	44	400-67204	32	400-38852
D	10	29	400-38850	31	400-39271	33	400-38850
E	12	30	400-38848		-		-

TABLE OF EXCHANGING GAUGE PARTS(1)(FOR PLC-2760,2760-7,2760L,2765)

No.	Supply Code	Parts No.	Replacement	Parts name	Remarks	Choice	Step	Level	Cons	Qty	Rep. QTY
40		40144905		NEEDLE_PLATE_10MM_60.7.ASM	OPTIONAL PARTS(FOR PLC-2760-7)					1	
41		40144907		NEEDLE_PLATE_12MM_60.7.ASM	OPTIONAL PARTS(FOR PLC-2760-7)					1	
42		40153188		NEEDLE_PLATE_8MM_60L						1	
43		40153187		FEED_DOG_8MM_60L						1	
44		40067204		FEED FOOT FOR GUIDE(8MM)ASM.						1	
45		SM1040950TP		SCREW M4 L=9						2	
46		SS9110543CP		SCREW 11/64-40 L=5.3						1	
47		SM6030602TP		SCREW M3X0.5 L=6						1	
48		B1425526000		SCREW 1/8-44 L=6						1	

TABLE OF EXCHANGING GAUGE PARTS(2)(FOR PLC-2760,2760-7,2760L,2765)

Needle gauge size 針幅		Presser foot with guide asm. センターガイド付き押え足 (組)				Feed lever base cover asm. 側面カバー (組)			
Code コード		PLC-2760L				PLC-2760L			
									
	mm	Ref No.	Part No.	Ref No.	Part No.	Ref No.	Part No.	Ref No.	Part No.
B	6	1	400-38810		-	6	401-34017		-
C	8	2	400-38808	15	400-38808	7	401-34018		-
D	10	3	400-38806	5	400-38806	8	401-34019	10	401-34019
E	12	4	400-38802		-	9	401-34020		-


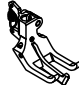

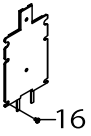
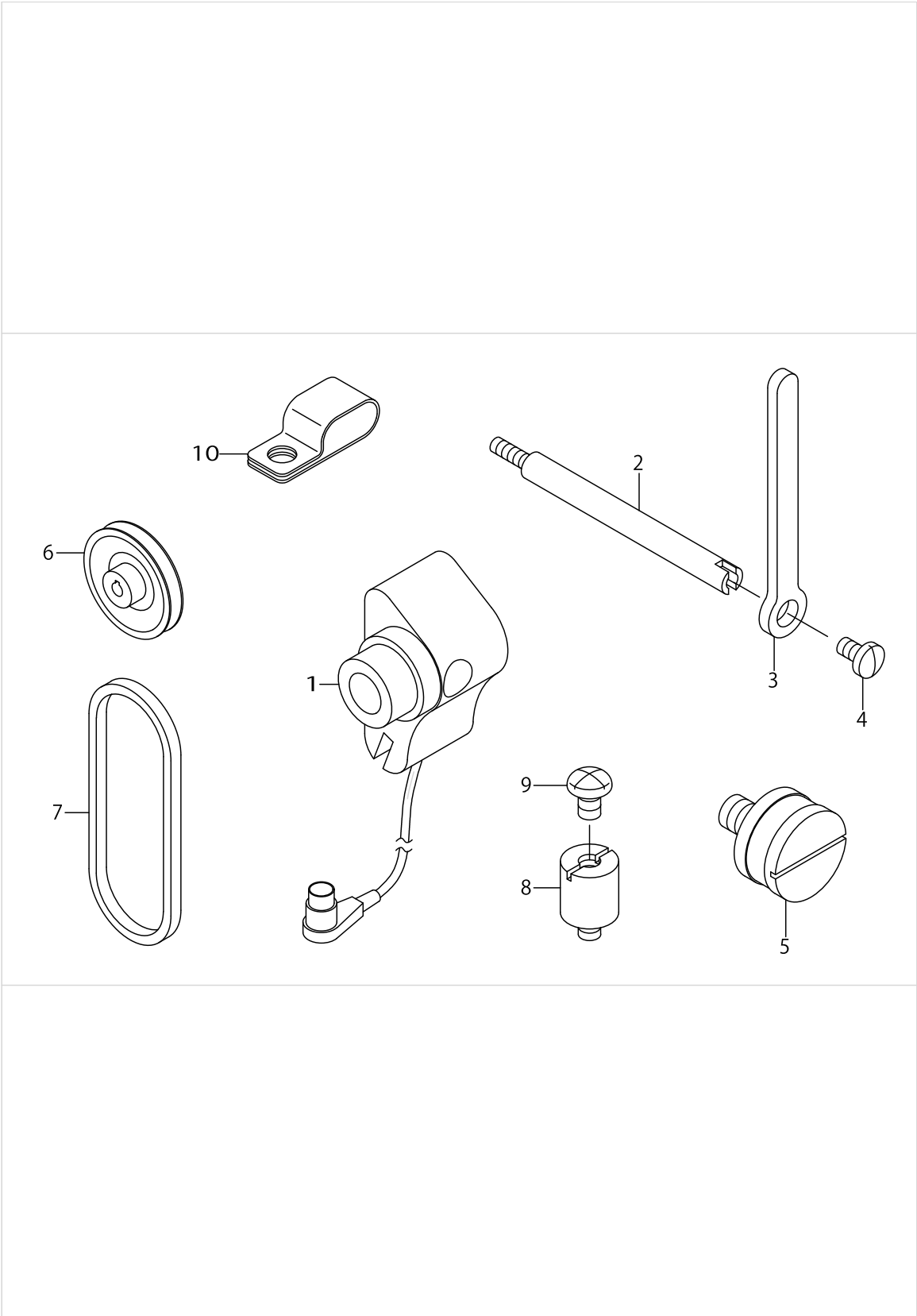
Needle gauge size 針幅		Presser foot with guide asm. センターガイド付き押え足 (組)				Feed lever base cover asm. 側面カバー (組)			
Code コード		PLC-2765				PLC-2765			
									
	mm	Ref No.	Part No.	Ref No.	Part No.	Ref No.	Part No.	Ref No.	Part No.
B	6		-		-		-		-
C	8	11	400-38808			13	401-34018		
D	10	12	400-38806			14	401-34019		
E	12		-		-		-		-

TABLE OF EXCHANGING GAUGE PARTS(2)(FOR PLC-2760,2760-7,2760L,2765)

No.	Supply Code	Parts No.	Replacement	Parts name	Remarks	Choice	Step	Level	Cons	Qty	Rep. QTY
1		40038810		PRESSER FOOT WITH GUIDE(6MM)ASM.					☆	1	
2		40038808		PRESSER FOOT WITH GUIDE(8MM)ASM.					☆	1	
3		40038806		PRESSER FOOT WITH GUIDE(10MM)ASM.					☆	1	
4		40038802		PRESSER FOOT WITH GUIDE(12MM)ASM.					☆	1	
5		40038806		PRESSER FOOT WITH GUIDE(10MM)ASM.	FOR PLC-2760L					1	
6		40134017		FEED_LEVER_BASE_COVER_C_6MM						1	
7		40134018		FEED_LEVER_BASE_COVER_D_8MM						1	
8		40134019		FEED_LEVER_BASE_COVER_B_10MM						1	
9		40134020		FEED_LEVER_BASE_COVER_E_12MM						1	
10		40134019		FEED LEVER BASE COVER 10MM ASM.	FOR PLC-2760L					1	
11		40038808		PRESSER FOOT WITH GUIDE(8MM)ASM.	FOR PLC-2765					1	
12		40038806		PRESSER FOOT WITH GUIDE(10MM)ASM.	FOR PLC-2765					1	
13		40134018		FEED_LEVER_BASE_COVER_D_8MM	FOR PLC-2765					1	
14		40134019		FEED_LEVER_BASE_COVER_B_10MM	FOR PLC-2765					1	
15		40038808		PRESSER FOOT WITH GUIDE(8MM)ASM.	FOR PLC-2760L					1	
16		SM6040650TP		SCREW						4	

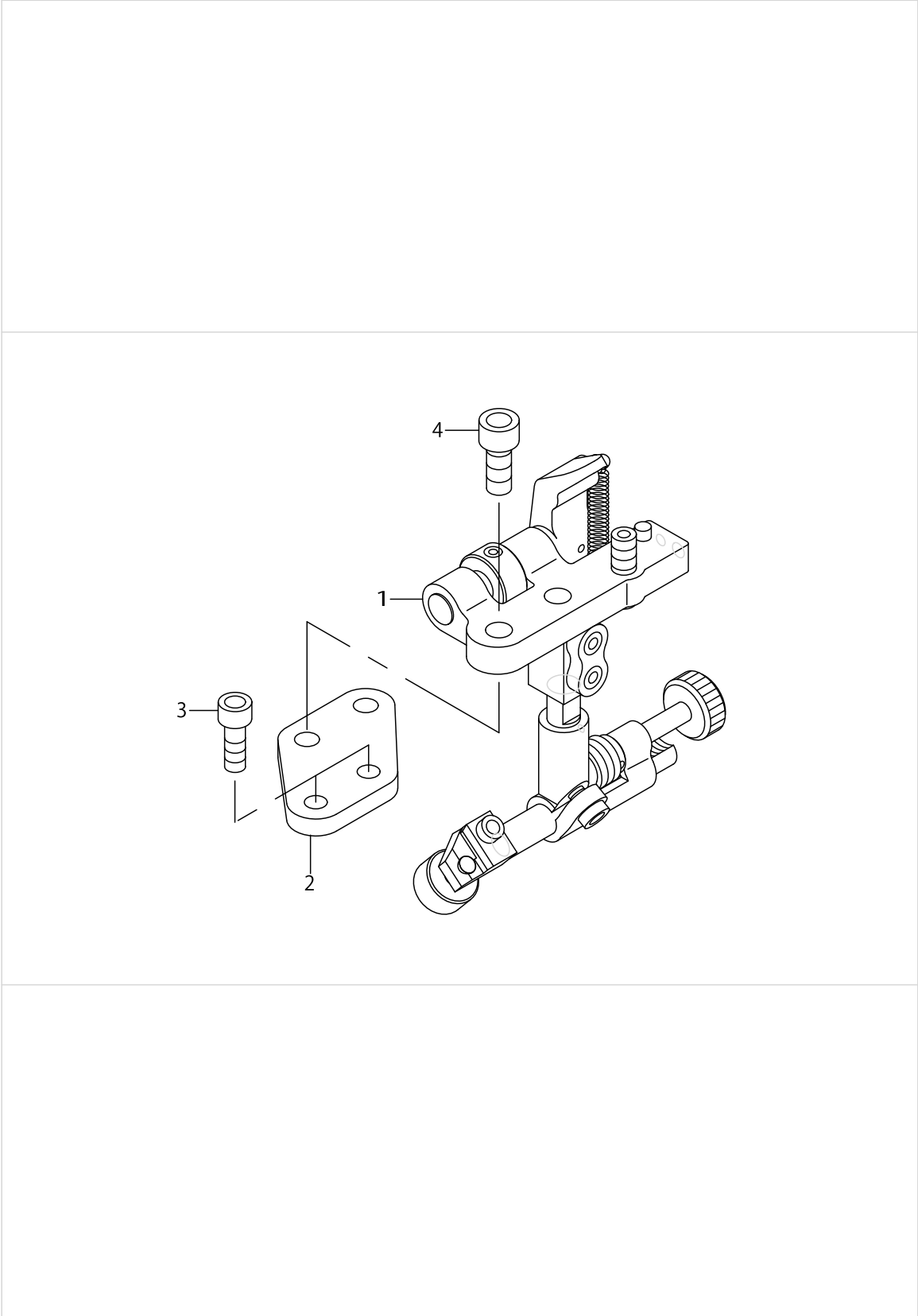
SC-922A KIT COMPONENTS (OPTIONAL PARTS)



SC-922A KIT COMPONENTS (OPTIONAL PARTS)

No.	Supply Code	Parts No.	Replacement	Parts name	Remarks	Choice	Step	Level	Cons	Qty	Rep. QTY
1		40026920		SYNCHRONIZERASM.						1	
2		40135507		SYNCHRONIZER HOLD STUD						1	
3		40135506		SYNCHRONIZER HOLD PLATE						1	
4		SM4061201SC		SCREW M6 L=12						1	
5		22622401		SYNCRO FRNGE						1	
6		MTSP00700B0		MOTOR PULLEY ASM. P.C.D 70						1	
7		MTJVH00540A		V BELT 54 INCH						1	
8		40126222		CP_SPACER						2	
9		SM4050855SP		SCREW						2	
10		D2112555B00		CORD HOLDER LARGE						1	

SUSPENSION SQUARE COMPONENTS (OPTIONAL PARTS)

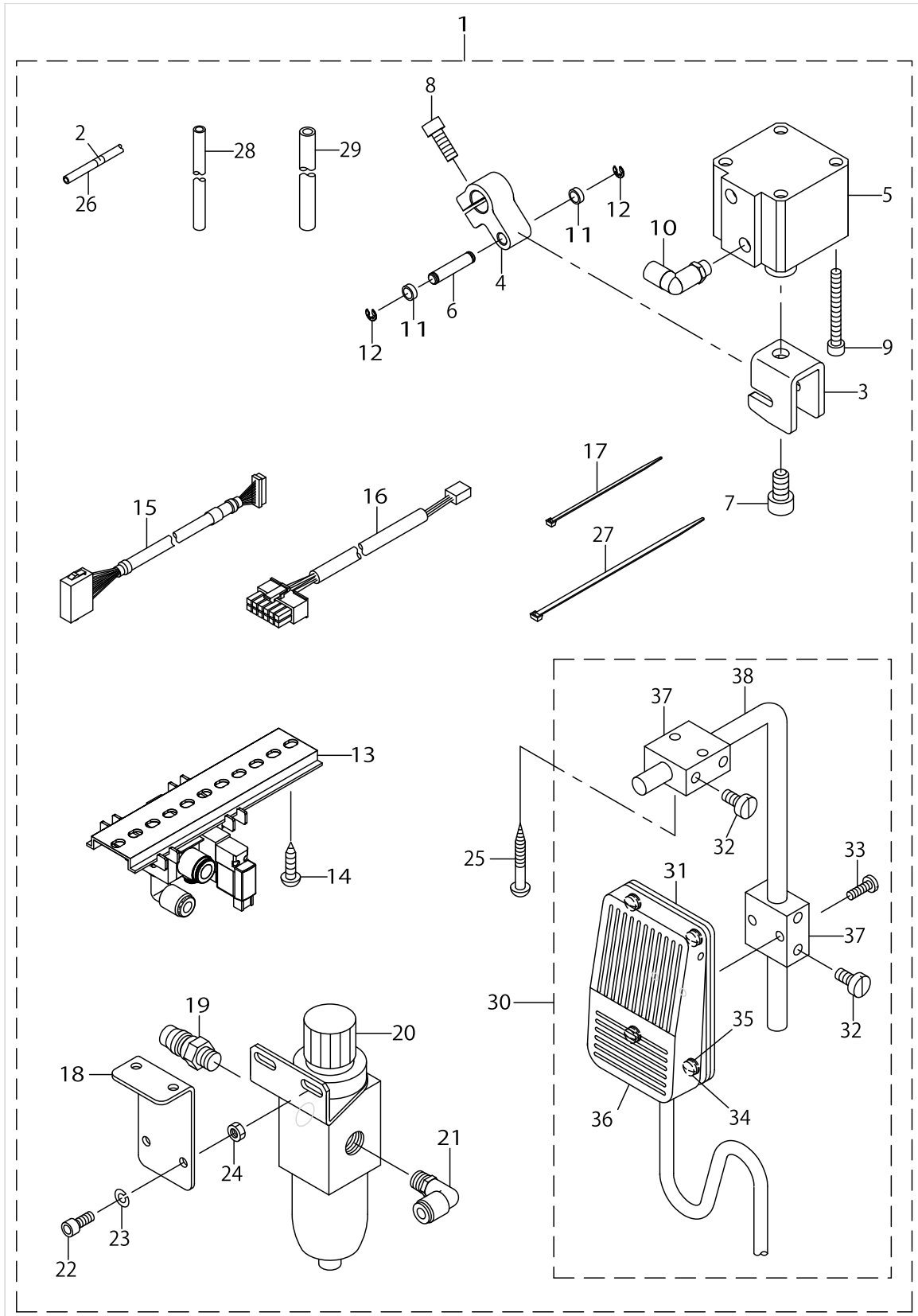


SUSPENSION SQUARE COMPONENTS (OPTIONAL PARTS)

No.	Supply Code	Parts No.	Replacement	Parts name	Remarks	Choice	Step	Level	Cons	Qty	Rep. QTY
1		MAH152010A0		RULER						1	
2		40112214		EDGE_GUIDE_FITTING_PLATE						1	
3		SM6051402TP		SCREW M5X0.8 L=14						2	
4		SM6061402TP		SCREW M6 L=14						2	



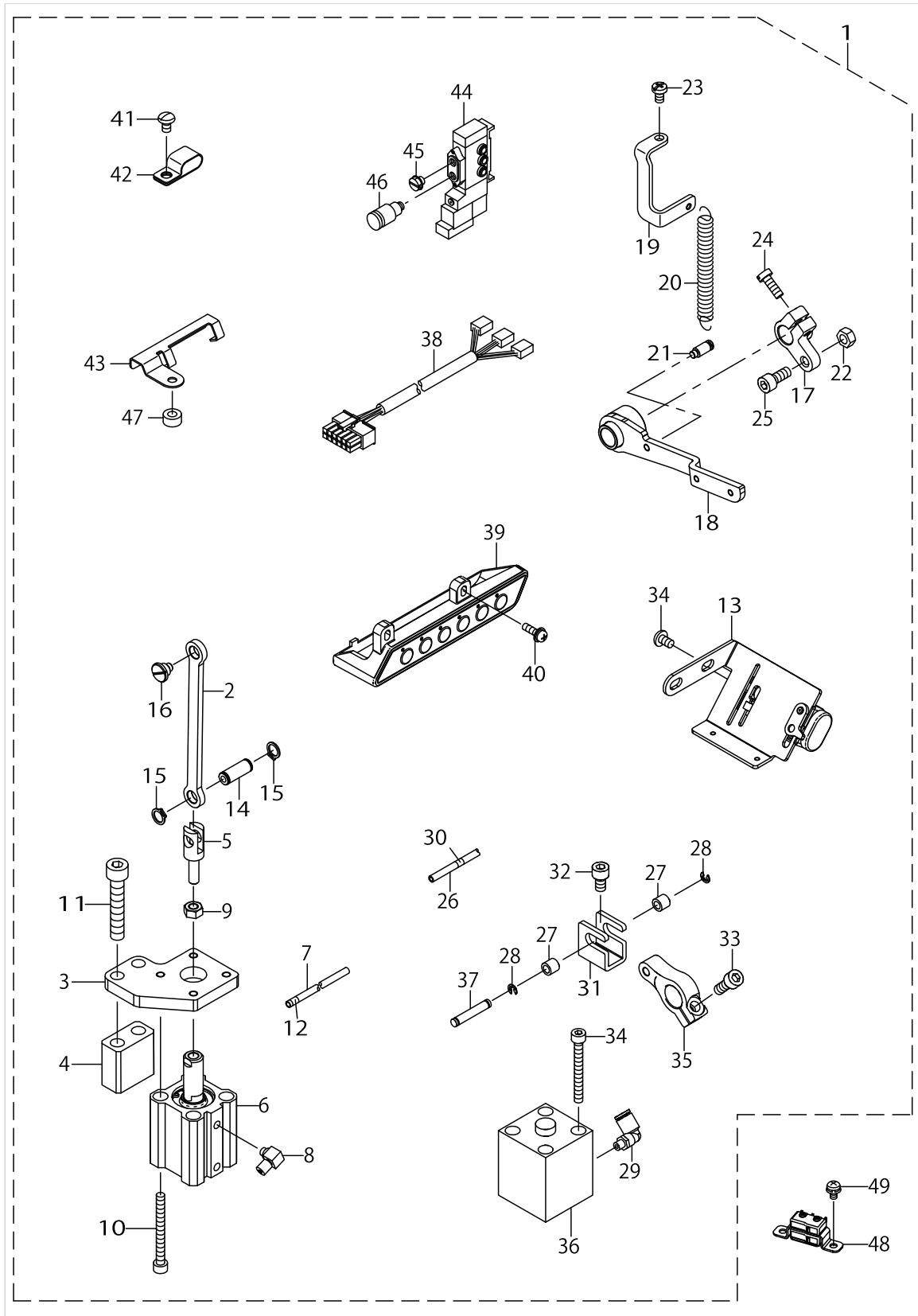
AK KIT COMPONENTS (OPTIONAL PARTS)(FOR PLC-2710,2760,2760L,2765)



AK KIT COMPONENTS (OPTIONAL PARTS)(FOR PLC-2710,2760,2760L,2765)

No.	Supply Code	Parts No.	Replacement	Parts name	Remarks	Choice	Step	Level	Cons	Qty	Rep. QTY
1		40138572		AK KIT						1	
2		18035907		WIRE MARK (10)				*		2	
3		40112187		KNUCKLE_JOINT_A				*		1	
4		40112188		LIFTING_ARM				*		1	
5		PA400150200		AIR CYLINDER				*		1	
6		22949101		ROLLER FULCRUM SHAFT				*		1	
7		SM6081552TP		SCREW M8 L=15				*		1	
8		SM6061602TP		SCREW M6 L=16				*		1	
9		SM6054502TN		SCREW				*		4	
10		PJ304045102		ELBOW UNION C				*		1	
11		13951009		PRESSER FOOT ROLLER				*		2	
12		RE0400000K0		E-RING 4				*		2	
13		40133982		SOLENOID VALVE ASM.				*		1	
14		SK3482001SE		WOOD SCREW D=4.8 L=20				*		4	
15		40133985		AIR VALVE RELAY CABLE ASM.				*		1	
16		40133983		SOLENOID VALVE CABLE ASM.				*		1	
17		EA9500B0100		CABLE BAND				*		2	
18		13860408		REGULATOR BRACKET				*		1	
19		PJ025100003		PLUG				*		1	
20		PF055107000		FILTER REGULATOR				*		1	
21		PJ304065101		ELBOW UNION 6XPT1/8				*		1	
22		SM6051202TP		SCREW M5X0.8 L=12				*		2	
23		WS0510002KN		SPRING WASHER M5				*		2	
24		NM6050001SP		NUT M5				*		2	
25	R	SK3514000SC	SK3514001SE	WOOD SCREW D=5.1 L=40				*		2	1.00
26		BT0400251EB		URETHANE HOSE BLACK				*		1.8	
27		EA9500B0200		CABLE BAND 150				*		3	
28		BT0600401EB		TUBE				*		1	
29		BT0800501EB		VINYL TUBE				*		1	
30		40025036		KNEE SWITCH ASM.				*		1	
31	D	MAT80232T00		KNEE SWITCH SUPPORT PLATE				*		1	
32		SS6151220SP		SCREW 15/64-28 L=11.5				*		4	
33	R	SS7111410SP	SS7111410TP	SCREW 11/64-40 L=14				*		2	1.00
34		SS7110710SL		SCREW 11/64-40 L=7.0				*		4	
35		WP0480856SP		WASHER 4.8X8.4X0.8				*		4	
36		40025035		KNEE SWITCH ASM.				*		1	
37		MAT80230T00		KNEE SWITCH SUPPORT BASE				*		2	
38		MAT80231T00		DRIVING BAR T002				*		1	

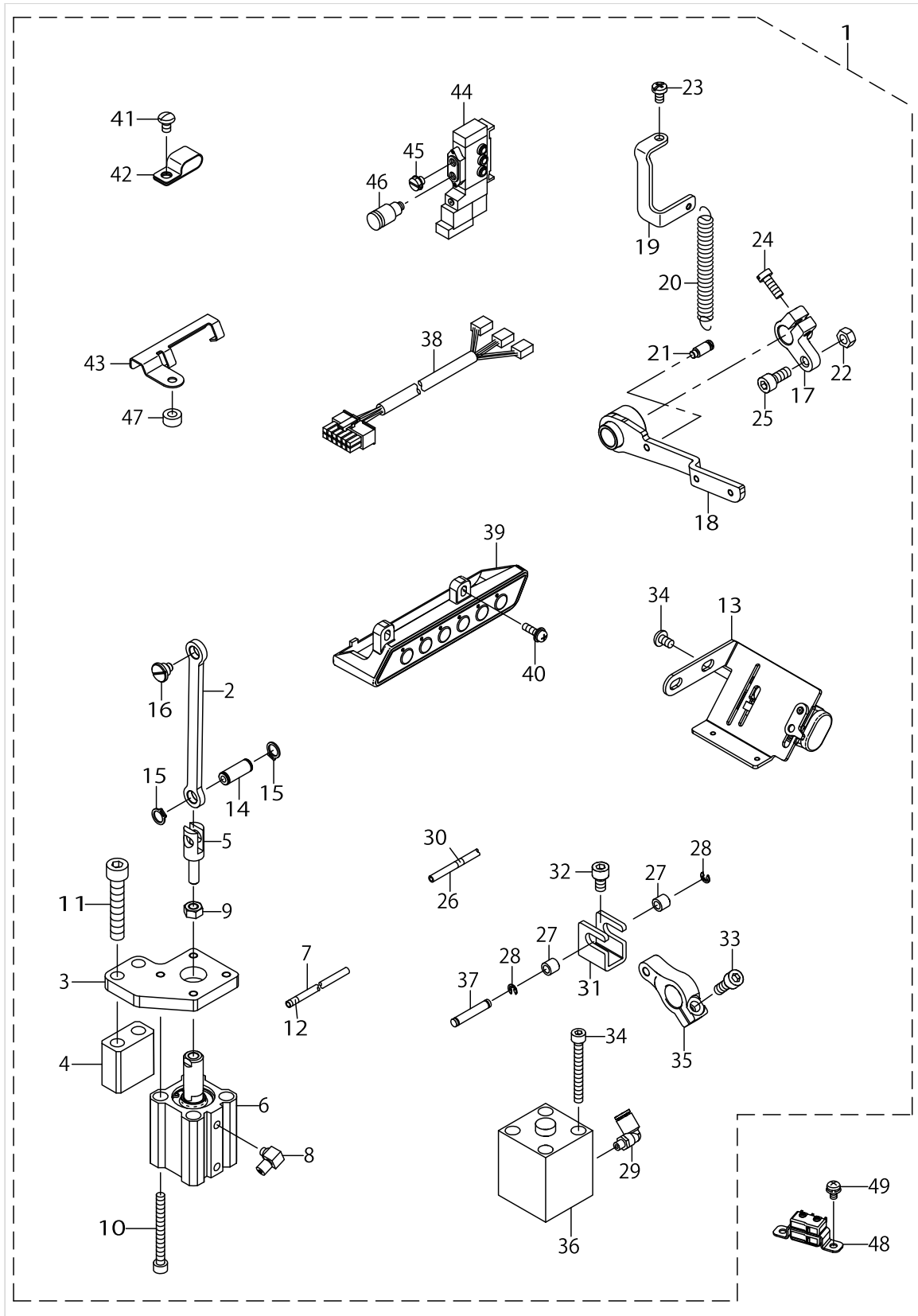
BT,DL KIT COMPONENTS (OPTIONAL PARTS)(FOR PLC-2710(WITH AK),2760(WITH AK),2760L(WITH AK))



BT,DL KIT COMPONENTS (OPTIONAL PARTS)(FOR PLC-2710(WITH AK),2760(WITH AK),2760L(WITH AK))

No.	Supply Code	Parts No.	Replacement	Parts name	Remarks	Choice	Step	Level	Cons	Qty	Rep. QTY
1		40138898		BT_DL_KIT						1	
2		40130413		BT_LINK				*		1	
3		40130024		BT_CYLINDER_PLATE				*		1	
4		40130414		BT_CYLINDER_BLOCK				*		1	
5		40052254		CYLINDER KNUCKLE JOINT				*		1	
6		PA250250900		AIR CYLINDER				*		1	
7		BT0400251EB		URETHANE HOSE BLACK				*		1.8	
8		PJ046052503		HOSE ELBOW				*		1	
9		NM6060001CP		NUT M6				*		1	
10		SM6055002TP		SCREW M5 L=50				*		4	
11		SM6084502TP		SCREW				*		2	
12		18035709		WIRE MARK (8)				*		2	
13		40130285		TB_SWITCH_ASSY				*		1	
14		10714103		CONNECTION LINK PIN A				*		1	
15		RC0740811KP		C-RING				*		2	
16		SD0800406TP		SHOULDER SCREW D=8 H=4				*		1	
17		40112127		BACKWARD_FEED_C- ONNECTING_ARM				*		1	
18		40129991		REVERSE_FEED_LEVER_ASM.				*		1	
19		40125864		REVERSE_FEED_LE- VER_SPRING_HOOK				*		1	
20		D2629M1YC0F		SPRING				*		1	
21		26229302		SUSPENSION SCREW				*		1	
22		NM6050001SD		NUT M5X0.8				*		1	
23		SM4050855SP		SCREW				*		3	
24		SM6051400SP		SCREW				*		1	
25		SM6051202TP		SCREW M5X0.8 L=12				*		1	
26		BT0400251EB		URETHANE HOSE BLACK				*		1.8	
27		B3031141H00		CONNECTING STUD				*		2	
28		RE0320000K0		E-RING 3.2				*		2	
29		PJ304040504		ELBOW UNION				*		1	
30		18035501		WIRE MARK (6)				*		2	
31		40112191		KNUCKLE_JOINT_B				*		1	
32		SM6061002TP		SCREW M6 L=10				*		1	
33		SM6061602TP		SCREW M6 L=16				*		1	
34		SM6054502TP		SCREW M5X0.8 L=45				*		2	
35		40112192		TERTICAL_CYLINDER_ARM				*		1	
36		PA250250900		AIR CYLINDER				*		1	
37		B1504210000		CONNECTING SHAFT				*		1	
38		40133979		SOLENOID VALVE CABLE ASM.				*		1	
39		40130287		6RANGE SWITCH ASM				*		1	
40		SL4041491SC		SCREW 4X14				*		2	
41		SM4050855SP		SCREW				*		4	
42		D2112555B00		CORD HOLDER LARGE				*		3	
43		40134805		CABLE HOLDER				*		1	
44		PV150209100		SOLENOID VALVE				*		2	
45		PJ020500002		PLUG				*		2	

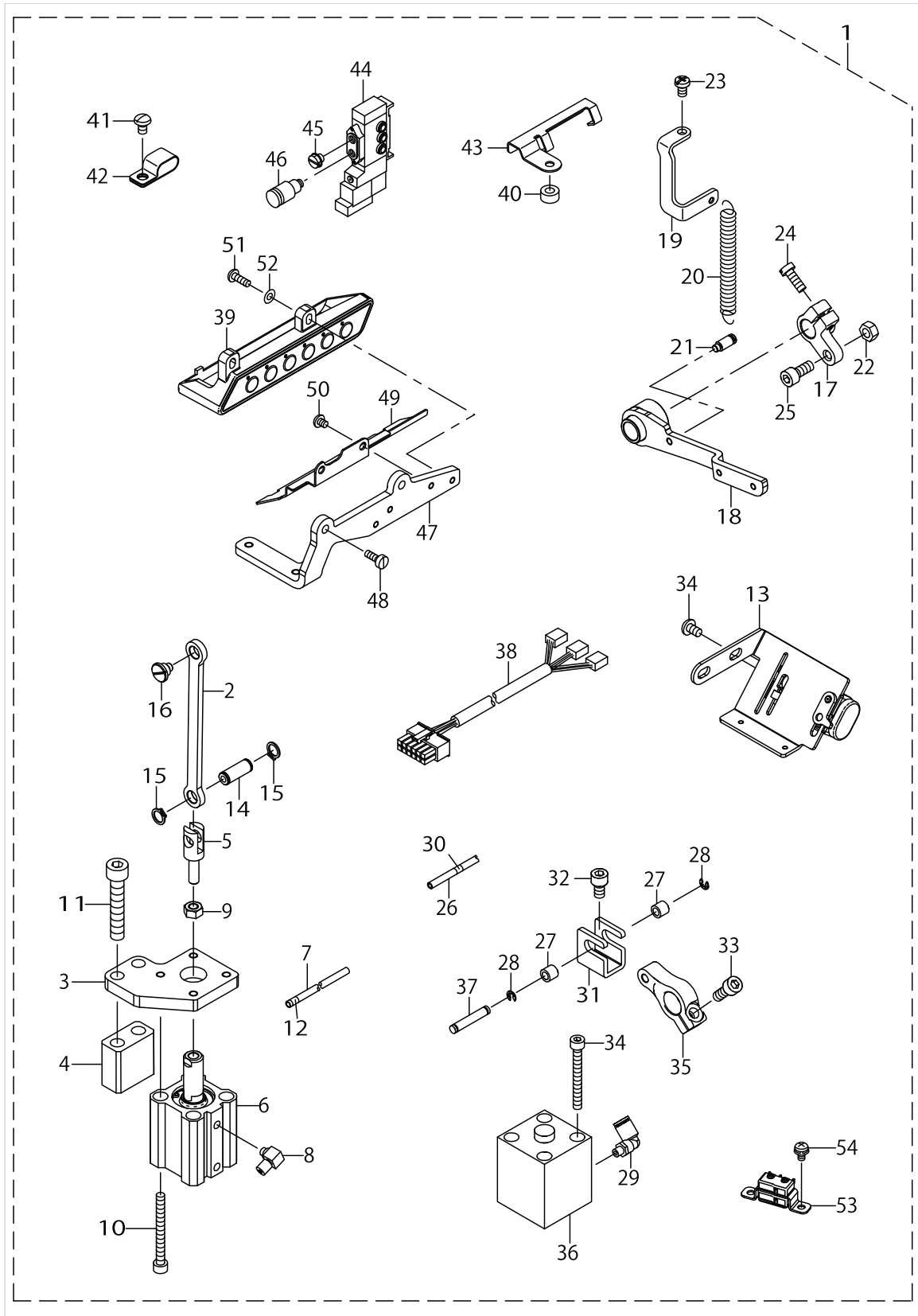
BT,DL KIT COMPONENTS (OPTIONAL PARTS)(FOR PLC-2710(WITH AK),2760(WITH AK),2760L(WITH AK))



BT,DL KIT COMPONENTS (OPTIONAL PARTS)(FOR PLC-2710(WITH AK),2760(WITH AK),2760L(WITH AK))

No.	Supply Code	Parts No.	Replacement	Parts name	Remarks	Choice	Step	Level	Cons	Qty	Rep. QTY
46		PJ301040502		HALF UNION 4XM5				*		2	
47		B3417051000		REAR LIFTING BAR ROLLER				*		1	
48		40130289		VERTICAL_DETECT- OR_SWITCH_ASM.	FOR PLC-2710,2760					1	
49		SL4040691SC		SCREW M4 L=6	FOR PLC-2710,2760					2	

BT,DL KIT COMPONENTS (OPTIONAL PARTS)(FOR PLC-2765(WITH AK))

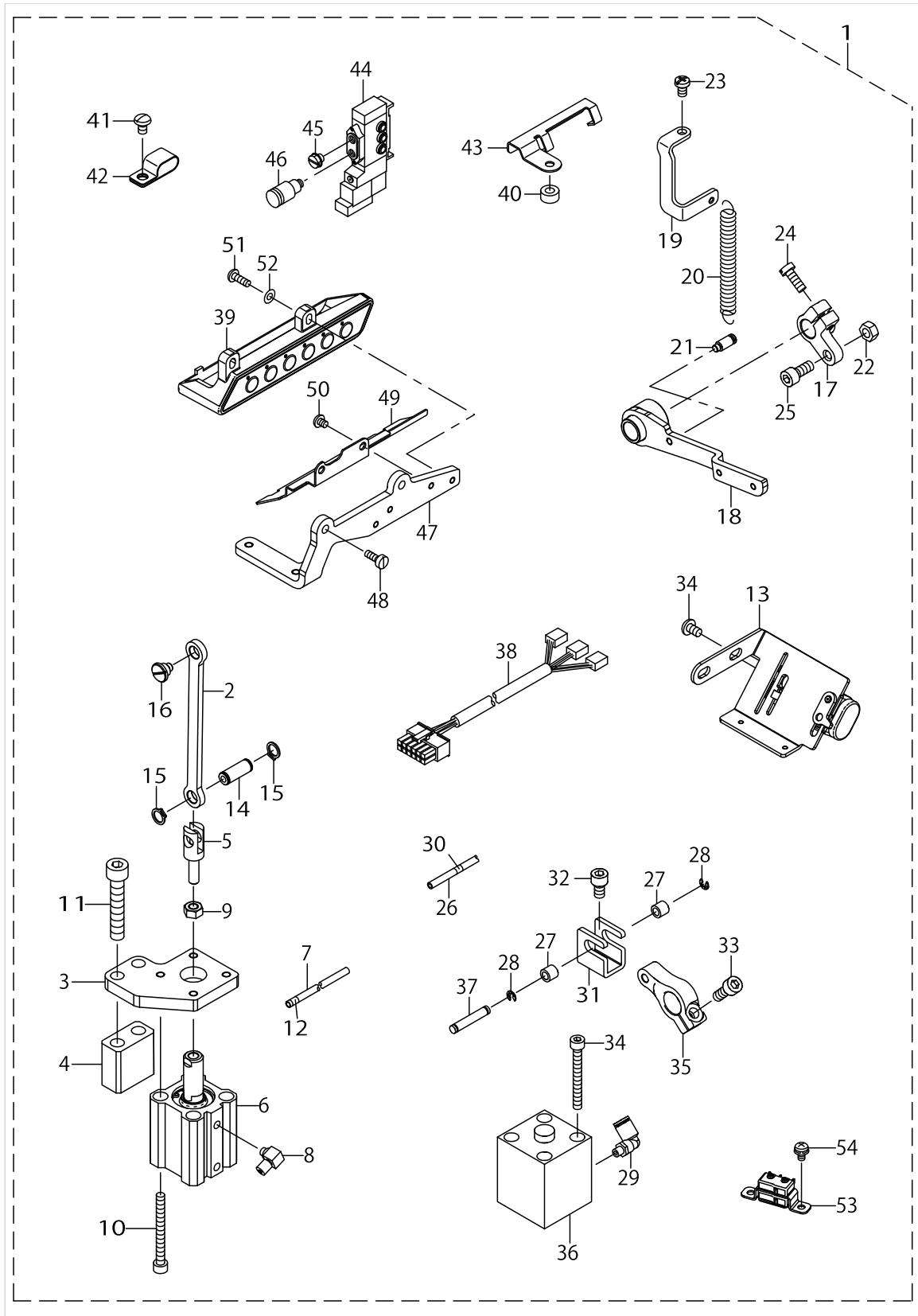


BT,DL KIT COMPONENTS (OPTIONAL PARTS)(FOR PLC-2765(WITH AK))

No.	Supply Code	Parts No.	Replacement	Parts name	Remarks	Choice	Step	Level	Cons	Qty	Rep. QTY
1		40139586		BT_DL_KIT						1	
2		40130413		BT_LINK				*		1	
3		40130024		BT_CYLINDER_PLATE				*		1	
4		40130414		BT_CYLINDER_BLOCK				*		1	
5		40052254		CYLINDER KNUCKLE JOINT				*		1	
6		PA250250900		AIR CYLINDER				*		1	
7		BT0400251EB		URETHANE HOSE BLACK				*		1.8	
8		PJ046052503		HOSE ELBOW				*		1	
9		NM6060001CP		NUT M6				*		1	
10		SM6055002TP		SCREW M5 L=50				*		4	
11		SM6084502TP		SCREW				*		2	
12		18035709		WIRE MARK (8)				*		2	
13		40130285		TB_SWITCH_ASSY				*		1	
14		10714103		CONNECTION LINK PIN A				*		1	
15		RC0740811KP		C-RING				*		2	
16		SD0800406TP		SHOULDER SCREW D=8 H=4				*		1	
17		40112127		BACKWARD_FEED_C- ONNECTING_ARM				*		1	
18		40129991		REVERSE_FEED_LEVER_ASM.				*		1	
19		40125864		REVERSE_FEED_LE- VER_SPRING_HOOK				*		1	
20		D2629M1YC0F		SPRING				*		1	
21		26229302		SUSPENSION SCREW				*		1	
22		NM6050001SD		NUT M5X0.8				*		1	
23		SM4050855SP		SCREW				*		3	
24		SM6051400SP		SCREW				*		1	
25		SM6051202TP		SCREW M5X0.8 L=12				*		1	
26		BT0400251EB		URETHANE HOSE BLACK				*		1.8	
27		B3031141H00		CONNECTING STUD				*		2	
28		RE0320000K0		E-RING 3.2				*		2	
29		PJ304040504		ELBOW UNION				*		1	
30		18035501		WIRE MARK (6)				*		2	
31		40112191		KNUCKLE_JOINT_B				*		1	
32		SM6061002TP		SCREW M6 L=10				*		1	
33		SM6061602TP		SCREW M6 L=16				*		1	
34		SM6054502TP		SCREW M5X0.8 L=45				*		2	
35		40112192		TERTICAL_CYLINDER_ARM				*		1	
36		PA250250900		AIR CYLINDER				*		1	
37		B1504210000		CONNECTING SHAFT				*		1	
38		40133979		SOLENOID VALVE CABLE ASM.				*		1	
39		40130287		6RANGE SWITCH ASM				*		1	
40		B3417051000		REAR LIFTING BAR ROLLER				*		1	
41		SM4050855SP		SCREW				*		4	
42		D2112555B00		CORD HOLDER LARGE				*		3	
43		40134805		CABLE HOLDER				*		1	
44		PV150209100		SOLENOID VALVE				*		2	
45		PJ020500002		PLUG				*		2	



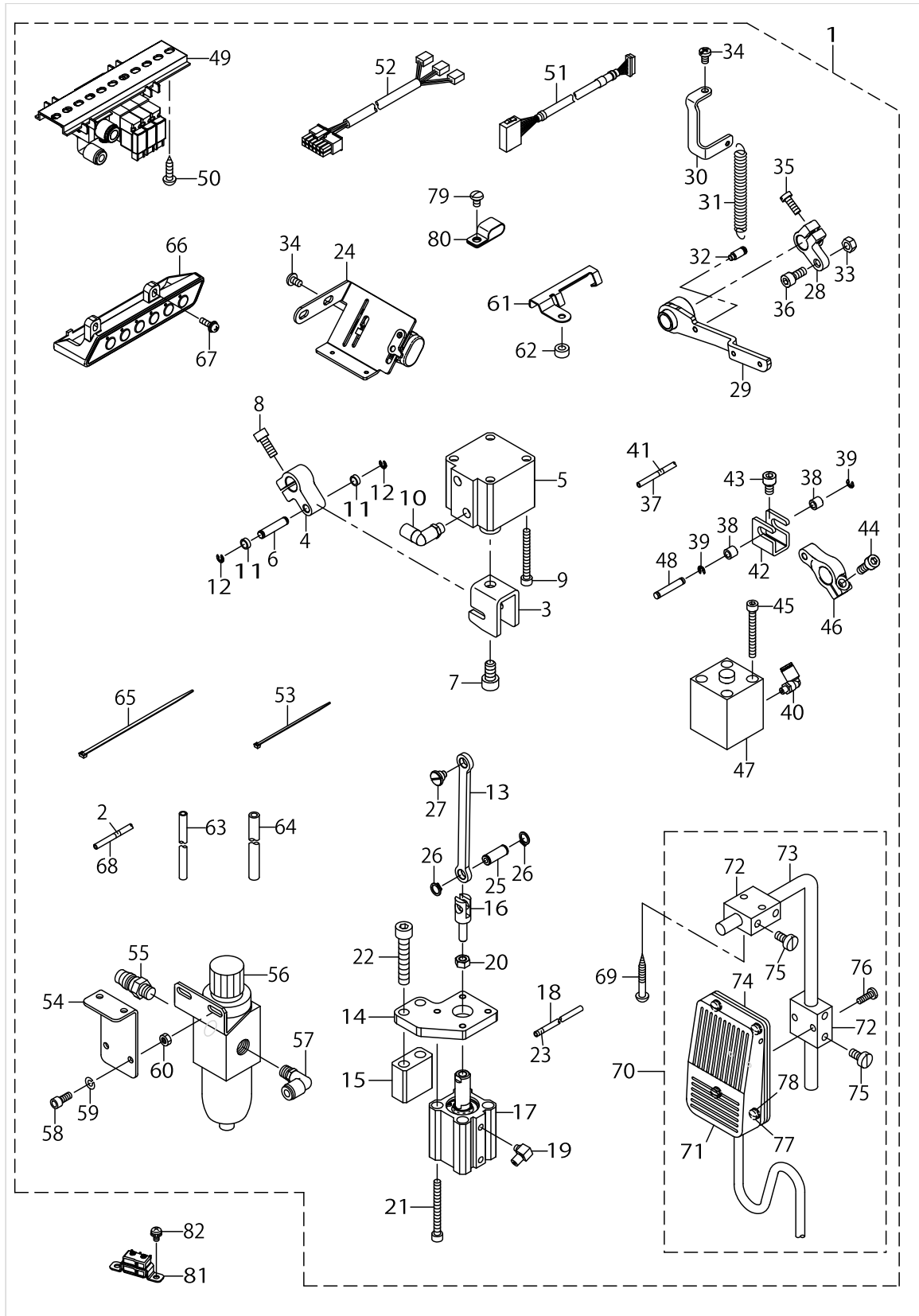
BT,DL KIT COMPONENTS (OPTIONAL PARTS)(FOR PLC-2765(WITH AK))



BT,DL KIT COMPONENTS (OPTIONAL PARTS)(FOR PLC-2765(WITH AK))

No.	Supply Code	Parts No.	Replacement	Parts name	Remarks	Choice	Step	Level	Cons	Qty	Rep. QTY
46		PJ301040502		HALF UNION 4XM5				*		2	
47		40138933		RELEASE LEVER PLATE B				*		1	
48		SM6041150TP		SCREW				*		2	
49		40138934		SWICH COVER				*		1	
50		SM4040501SN		SCREW M4X0.7 L=5				*		2	
51		SM4041201SC		SCREW M4 L=12				*		2	
52		WP0430801SC		WASHER M4				*		2	
53		40130289		VERTICAL_DETECT- OR_SWITCH_ASM.				*		1	
54		SL4040691SC		SCREW M4 L=6				*		2	

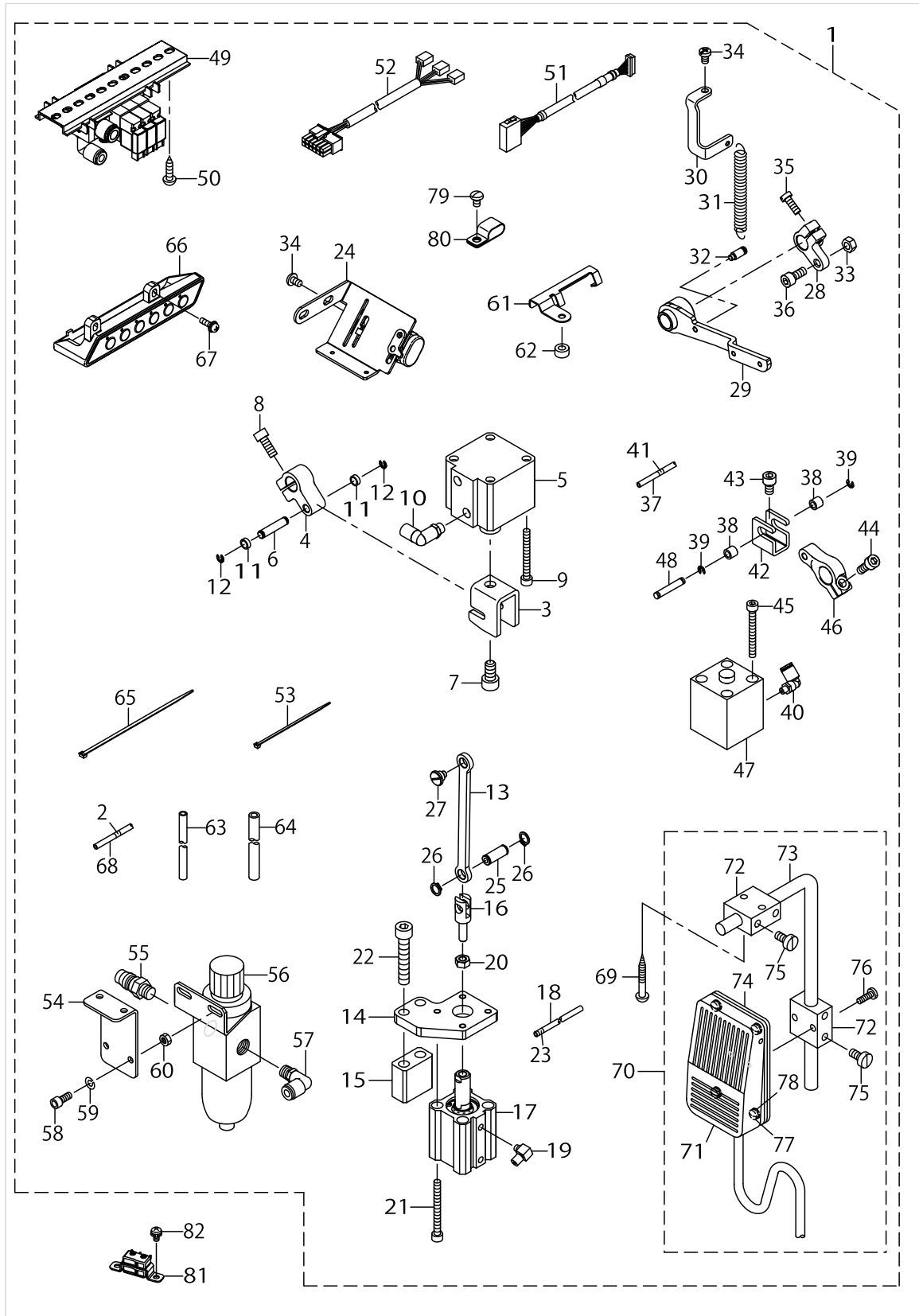
AK,BT,DL KIT COMPONENTS (OPTIONAL PARTS)(FOR PLC-2710,2760,2760L)



AK,BT,DL KIT COMPONENTS (OPTIONAL PARTS)(FOR PLC-2710,2760,2760L)

No.	Supply Code	Parts No.	Replacement	Parts name	Remarks	Choice	Step	Level	Cons	Qty	Rep. QTY
1		40138573		AK_BT_DL_KIT						1	
2		18035907		WIRE MARK (10)				*		2	
3		40112187		KNUCKLE_JOINT_A				*		1	
4		40112188		LIFTING_ARM				*		1	
5		PA400150200		AIR CYLINDER				*		1	
6		22949101		ROLLER FULCRUM SHAFT				*		1	
7		SM6081552TP		SCREW M8 L=15				*		1	
8		SM6061602TP		SCREW M6 L=16				*		1	
9		SM6054502TN		SCREW				*		4	
10		PJ304045102		ELBOW UNION C				*		1	
11		13951009		PRESSER FOOT ROLLER				*		2	
12		RE0400000K0		E-RING 4				*		2	
13		40130413		BT_LINK				*		1	
14		40130024		BT_CYLINDER_PLATE				*		1	
15		40130414		BT_CYLINDER_BLOCK				*		1	
16		40052254		CYLINDER KNUCKLE JOINT				*		1	
17		PA250250900		AIR CYLINDER				*		1	
18		BT0400251EB		URETHANE HOSE BLACK				*		1.8	
19		PJ046052503		HOSE ELBOW				*		1	
20		NM6060001CP		NUT M6				*		1	
21		SM6055002TP		SCREW M5 L=50				*		4	
22		SM6084502TP		SCREW				*		2	
23		18035709		WIRE MARK (8)				*		2	
24		40130285		TB_SWITCH_ASSY				*		1	
25		10714103		CONNECTION LINK PIN A				*		1	
26		RC0740811KP		C-RING				*		2	
27		SD0800406TP		SHOULDER SCREW D=8 H=4				*		1	
28		40112127		BACKWARD_FEED_C- ONNECTING_ARM				*		1	
29		40129991		REVERSE_FEED_LEVER_ASM.				*		1	
30		40125864		REVERSE_FEED_LE- VER_SPRING_HOOK				*		1	
31		D2629M1YC0F		SPRING				*		1	
32		26229302		SUSPENSION SCREW				*		1	
33		NM6050001SD		NUT M5X0.8				*		1	
34		SM4050855SP		SCREW				*		3	
35		SM6051400SP		SCREW				*		1	
36		SM6051202TP		SCREW M5X0.8 L=12				*		1	
37		BT0400251EB		URETHANE HOSE BLACK				*		1.8	
38		B3031141H00		CONNECTING STUD				*		2	
39		RE0320000K0		E-RING 3.2				*		2	
40		PJ304040504		ELBOW UNION				*		1	
41		18035501		WIRE MARK (6)				*		2	
42		40112191		KNUCKLE_JOINT_B				*		1	
43		SM6061002TP		SCREW M6 L=10				*		1	
44		SM6061602TP		SCREW M6 L=16				*		1	
45		SM6054502TP		SCREW M5X0.8 L=45				*		2	

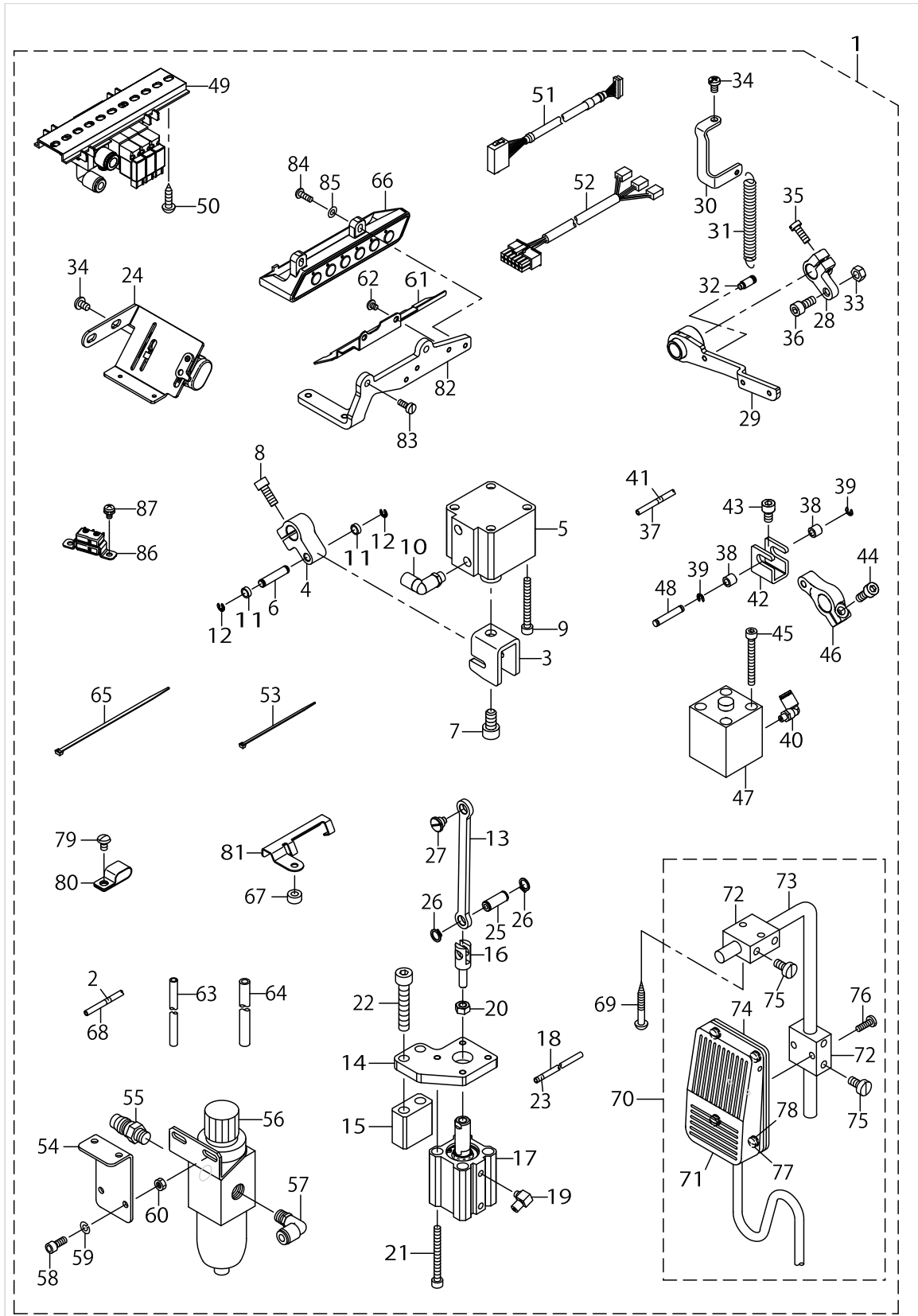
AK,BT,DL KIT COMPONENTS (OPTIONAL PARTS)(FOR PLC-2710,2760,2760L)



AK,BT,DL KIT COMPONENTS (OPTIONAL PARTS)(FOR PLC-2710,2760,2760L)

No.	Supply Code	Parts No.	Replacement	Parts name	Remarks	Choice	Step	Level	Cons	Qty	Rep. QTY
46		40112192		TERTICAL_CYLINDER_ARM				*		1	
47		PA250250900		AIR CYLINDER				*		1	
48		B1504210000		CONNECTING SHAFT				*		1	
49		40133978		SOLENOID VALVE ASM.				*		1	
50		SK3482001SE		WOOD SCREW D=4.8 L=20				*		4	
51		40133985		AIR VALVE RELAY CABLE ASM.				*		1	
52		40133979		SOLENOID VALVE CABLE ASM.				*		1	
53		EA9500B0100		CABLE BAND				*		2	
54		13860408		REGULATOR BRACKET				*		1	
55		PJ025100003		PLUG				*		1	
56		PF055107000		FILTER REGULATOR				*		1	
57		PJ304065101		ELBOW UNION 6XPT1/8				*		1	
58		SM6051202TP		SCREW M5X0.8 L=12				*		2	
59		WS0510002KN		SPRING WASHER M5				*		2	
60		NM6050001SP		NUT M5				*		2	
61		40134805		CABLE HOLDER				*		1	
62		B3417051000		REAR LIFTING BAR ROLLER				*		1	
63		BT0600401EB		TUBE				*		1.1	
64		BT0800501EB		VINYL TUBE				*		1.1	
65		EA9500B0200		CABLE BAND 150				*		3	
66		40130287		6RANGE SWITCH ASM.				*		1	
67		SL4041491SC		SCREW 4X14				*		2	
68		BT0400251EB		URETHANE HOSE BLACK				*		1.8	
69	R	SK3514000SC	SK3514001SE	WOOD SCREW D=5.1 L=40				*		2	1.00
70		40025036		KNEE SWITCH ASM.				*		1	
71		40025035		KNEE SWITCH ASM.				*		1	
72		MAT80230T00		KNEE SWITCH SUPPORT BASE				*		2	
73		MAT80231T00		DRIVING BAR T002				*		1	
74	D	MAT80232T00		KNEE SWITCH SUPPORT PLATE				*		1	
75		SS6151220SP		SCREW 15/64-28 L=11.5				*		4	
76	R	SS7111410SP	SS7111410TP	SCREW 11/64-40L=14				*		2	1.00
77		SS7110710SL		SCREW 11/64-40 L=7.0				*		4	
78		WP0480856SP		WASHER 4.8X8.4X0.8				*		4	
79		SM4050855SP		SCREW				*		4	
80		D2112555B00		CORD HOLDER LARGE				*		3	
81		40130289		VERTICAL_DETECT-OR_SWITCH_ASM.	FOR PLC-2710,2760					1	
82		SL4040691SC		SCREW M4 L=6	FOR PLC-2710,2760					2	

AK,BT,DL KIT COMPONENTS (OPTIONAL PARTS)(FOR PLC-2765)

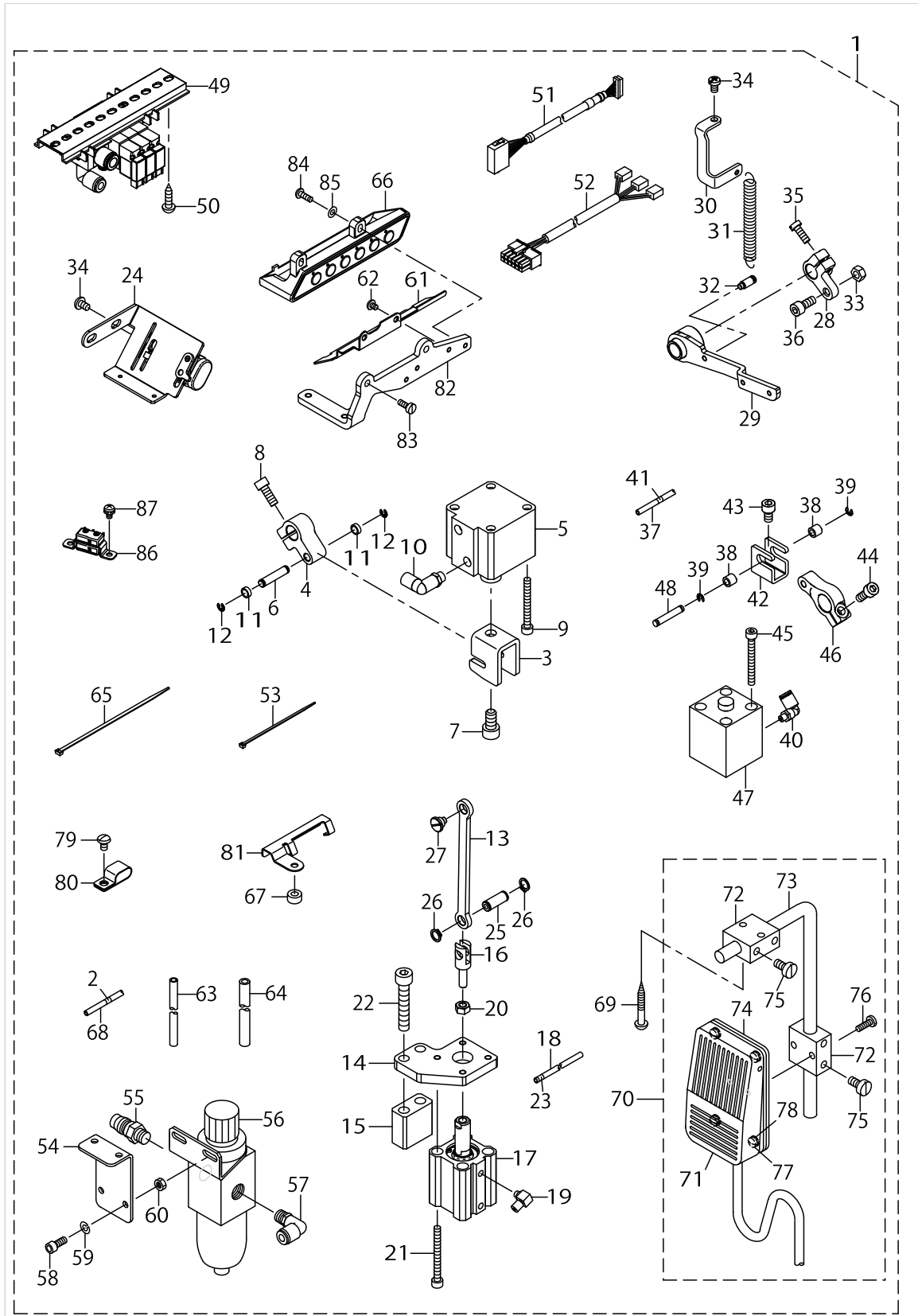


AK,BT,DL KIT COMPONENTS (OPTIONAL PARTS)(FOR PLC-2765)

No.	Supply Code	Parts No.	Replacement	Parts name	Remarks	Choice	Step	Level	Cons	Qty	Rep. QTY
1		40139587		AK_BT_DL_KIT						1	
2		18035907		WIRE MARK (10)				*		2	
3		40112187		KNUCKLE_JOINT_A				*		1	
4		40112188		LIFTING_ARM				*		1	
5		PA400150200		AIR CYLINDER				*		1	
6		22949101		ROLLER FULCRUM SHAFT				*		1	
7		SM6081552TP		SCREW M8 L=15				*		1	
8		SM6061602TP		SCREW M6 L=16				*		1	
9		SM6054502TN		SCREW				*		4	
10		PJ304045102		ELBOW UNION C				*		1	
11		13951009		PRESSER FOOT ROLLER				*		2	
12		RE0400000K0		E-RING 4				*		2	
13		40130413		BT_LINK				*		1	
14		40130024		BT_CYLINDER_PLATE				*		1	
15		40130414		BT_CYLINDER_BLOCK				*		1	
16		40052254		CYLINDER KNUCKLE JOINT				*		1	
17		PA250250900		AIR CYLINDER				*		1	
18		BT0400251EB		URETHANE HOSE BLACK				*		1.3	
19		PJ046052503		HOSE ELBOW				*		1	
20		NM6060001CP		NUT M6				*		1	
21		SM6055002TP		SCREW M5 L=50				*		4	
22		SM6084502TP		SCREW				*		2	
23		18035709		WIRE MARK (8)				*		2	
24		40130285		TB_SWITCH_ASSY				*		1	
25		10714103		CONNECTION LINK PIN A				*		1	
26		RC0740811KP		C-RING				*		2	
27		SD0800406TP		SHOULDER SCREW D=8 H=4				*		1	
28		40112127		BACKWARD_FEED_C- ONNECTING_ARM				*		1	
29		40129991		REVERSE_FEED_LEVER_ASM				*		1	
30		40125864		REVERSE_FEED_LE- VER_SPRING_HOOK				*		1	
31		D2629M1YC0F		SPRING				*		1	
32		26229302		SUSPENSION SCREW				*		1	
33		NM6050001SD		NUT M5X0.8				*		1	
34		SM4050855SP		SCREW				*		3	
35		SM6051400SP		SCREW				*		1	
36		SM6051202TP		SCREW M5X0.8 L=12				*		1	
37		BT0400251EB		URETHANE HOSE BLACK				*		1.8	
38		B3031141H00		CONNECTING STUD				*		2	
39		RE0320000K0		E-RING 3.2				*		2	
40		PJ304040504		ELBOW UNION				*		1	
41		18035501		WIRE MARK (6)				*		2	
42		40112191		KNUCKLE_JOINT_B				*		1	
43		SM6061002TP		SCREW M6 L=10				*		1	
44		SM6061602TP		SCREW M6 L=16				*		1	
45		SM6054502TP		SCREW M5X0.8 L=45				*		2	



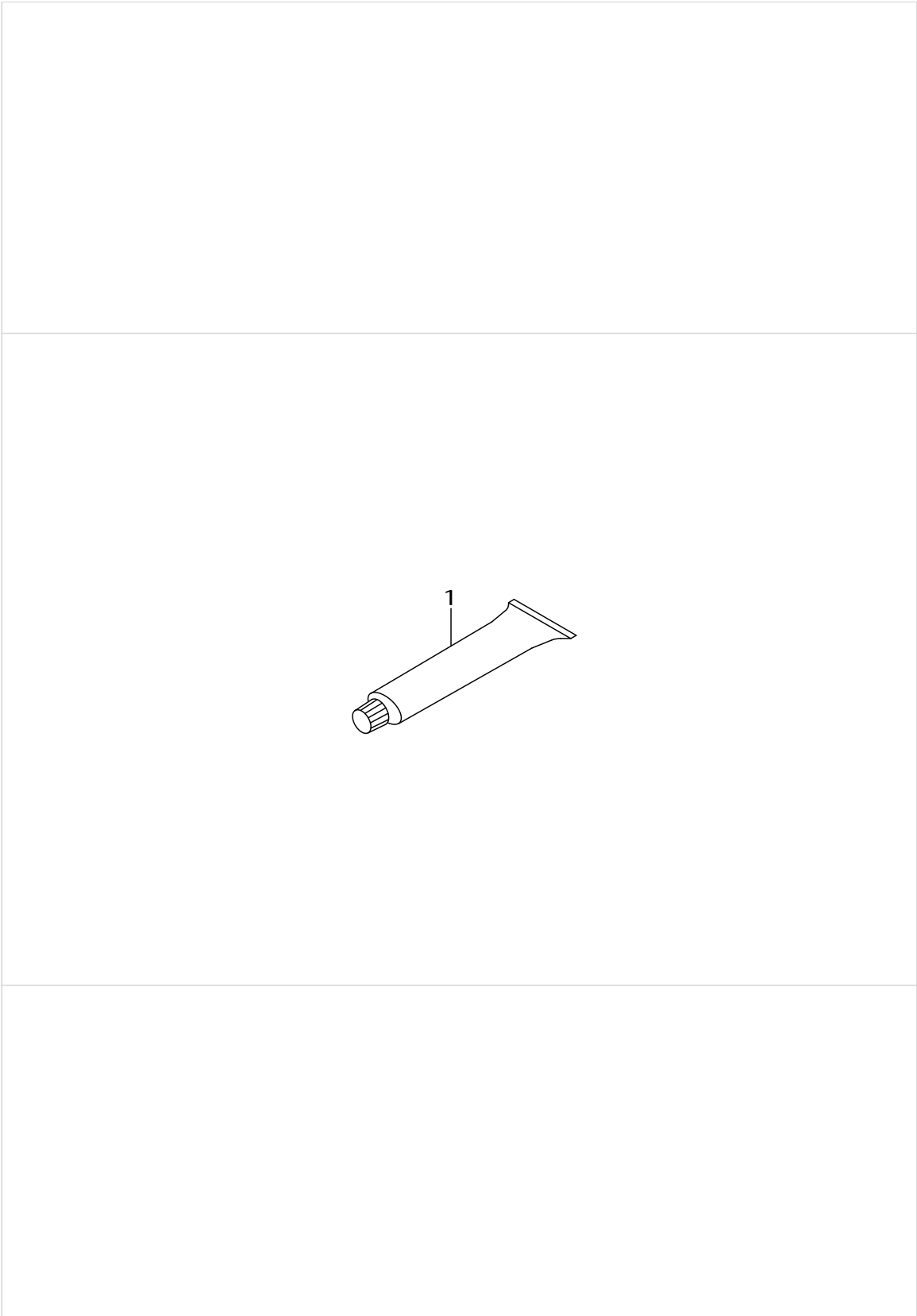
AK,BT,DL KIT COMPONENTS (OPTIONAL PARTS)(FOR PLC-2765)



AK,BT,DL KIT COMPONENTS (OPTIONAL PARTS)(FOR PLC-2765)

No.	Supply Code	Parts No.	Replacement	Parts name	Remarks	Choice	Step	Level	Cons	Qty	Rep. QTY
46		40112192		TERTICAL_CYLINDER_ARM				*		1	
47		PA250250900		AIR CYLINDER				*		1	
48		B1504210000		CONNECTING SHAFT				*		1	
49		40133978		SOLENOID VALVE ASM.				*		1	
50		SK3482001SE		WOOD SCREW D=4.8 L=20				*		4	
51		40133985		AIR VALVE RELAY CABLE ASM.				*		1	
52		40133979		SOLENOID VALVE CABLE ASM.				*		1	
53		EA9500B0100		CABLE BAND				*		2	
54		13860408		REGULATOR BRACKET				*		1	
55		PJ025100003		PLUG				*		1	
56		PF055107000		FILTER REGULATOR				*		1	
57		PJ304065101		ELBOW UNION 6XPT1/8				*		1	
58		SM6051202TP		SCREW M5X0.8 L=12				*		2	
59		WS0510002KN		SPRING WASHER M5				*		2	
60		NM6050001SP		NUT M5				*		2	
61		40138934		SWICH COVER				*		1	
62		SM4040501SN		SCREW M4X0.7 L=5				*		2	
63		BT0600401EB		TUBE				*		1.1	
64		BT0800501EB		VINYL TUBE				*		1.1	
65		EA9500B0200		CABLE BAND 150				*		3	
66		40130287		6RANGE SWITCH ASM.				*		1	
67		B3417051000		REAR LIFTING BAR ROLLER				*		1	
68		BT0400251EB		URETHANE HOSE BLACK				*		1.8	
69	R	SK3514000SC	SK3514001SE	WOOD SCREW D=5.1 L=40				*		2	1.00
70		40025036		KNEE SWITCH ASM.				*		1	
71		40025035		KNEE SWITCH ASM.				*		1	
72		MAT80230T00		KNEE SWITCH SUPPORT BASE				*		2	
73		MAT80231T00		DRIVING BAR T002				*		1	
74	D	MAT80232T00		KNEE SWITCH SUPPORT PLATE				*		1	
75		SS6151220SP		SCREW 15/64-28 L=11.5				*		4	
76	R	SS7111410SP	SS7111410TP	SCREW 11/64-40L=14				*		2	1.00
77		SS7110710SL		SCREW 11/64-40 L=7.0				*		4	
78		WP0480856SP		WASHER 4.8X8.4X0.8				*		4	
79		SM4050855SP		SCREW				*		4	
80		D2112555B00		CORD HOLDER LARGE				*		3	
81		40134805		CABLE HOLDER				*		1	
82		40138933		RELEASE LEVER PLATE B				*		1	
83		SM6041150TP		SCREW				*		2	
84		SM4041201SC		SCREW M4 L=12				*		2	
85		WP0430801SC		WASHER M4				*		2	
86		40130289		VERTICAL_DETECT-OR_SWITCH_ASM.				*		1	
87		SL4040691SC		SCREW M4 L=6				*		2	

OPTIONAL PARTS



OPTIONAL PARTS

No.	Supply Code	Parts No.	Replacement	Parts name	Remarks	Choice	Step	Level	Cons	Qty	Rep. QTY
1		40006323		JUKI GREASE A TUBE						1	

LIST FOR INFORMATION OF CHANGE (1)

As to the place changed, refer to the corresponding Rev.No.  
 When previous parts(Obsoleted part)and new parts(Added parts)are  
 not interchangeable with each other:  
 In this case,even obsoleted parts(D.)can be ordered with the  
 obsoleted part number,so select the parts with changed dates and  
 place your orders.

変更箇所は、該当Rev.No.版をご参照ください。  
 部品の互換性がない変更の場合は、削除された品番でも、ご注文できます。

40130435  
 No.1629-06 Rev.No.

\*A:Added parts追加部品/D:Obsoleted parts削除部品/E:Erratum訂正

* Rev. No.	Page 頁	Ref. No.	Parts No. 品番	* Rev. No.	Page 頁	Ref. No.	Parts No. 品番		
				A	06	8	6	401-41331	
				A	06	8	26	SB-3100003-00	
D	05	10	29	400-52253	A	06	10	29	401-52295
D	05	10	30	400-52253	A	06	10	30	401-52295
D	05	10	52	SM-6051402-TP					
D	05	10	53	SM-6051402-TP					
D	05	12	10	230-07602	A	06	12	10	401-63121
D	05	12	11	230-07602	D	06	12	11	401-63121
D	05	12	34	401-31586	D	06	12	34	401-63259
D	05	12	35	401-31586	A	06	12	35	401-63259
D	05	16	1	401-26167	A	06	16	1	401-44289
D	05	16	4	401-33609	A	06	16	4	401-44287
D	05	16	5	401-23664					
D	05	16	6	401-33608					
D	05	16	7	PS-0100052-KP					
D	05	16	15	401-23665	A	06	16	7	401-76628
D	05	16	19	401-12118	A	06	16	80	401-49125
D	05	16	21	401-26375	A	06	16	87	401-49120
D	05	16	23	401-35014	A	06	16	23	401-71574
					A	06	16	76	401-49115
					A	06	16	77	401-49116
					A	06	16	78	401-49117
					A	06	16	79	401-49118
					A	06	16	81	401-49126
					A	06	16	82	401-49127
					A	06	16	83	401-49128
					A	06	16	84	401-49121
					A	06	16	85	401-49122
					A	06	16	86	401-49123
D	05	17	5	401-25870	A	06	17	5	401-44283
D	05	20	12	401-26357	A	06	20	12	401-54832
					A	06	20	100	401-54833
					A	06	20	101	SM-6062502-TP
D	05	30	8	401-12151	A	06	30	8	401-71514
D	05	32	5	401-34505	A	06	32	5	401-76347
D	05	32	18	225-28806	A	06	32	31	401-55994



## HOW TO MAKE USE OF THIS PARTS LIST

### 1.Explanation of codes

1)"\*"mark.....means this part is changed from the previous parts book.

As to the details of the change, refer to the "List for information of change".

2)"#01".....refer to "Note" explanation at bottom of page.

### 2.Codes on the "Qty" column

- Each numeral indicates the number of parts required.
- "0.1" and "2.5" indicate the length (in meters) of the respective parts.

3.Parentheses mean that the corresponding part is a subpart that constructs an assembly part.

4.Dotted lines on the Figures indicate assembly parts.

5.As to the parts with marks of "☆"(consumable parts) and "◎"(optional parts)on the respective parts, it is recommended to prepare spares.

### 1 ."注記"欄の記号説明

1) "\*"印.....前回のパーツブックに比較して今回変更された部品を意味します。

変更内容は、"変更情報リスト"を参照してください。

2) "#01".....ページ下の"注記"の説明を参照してください。

2.数量欄の数字は、個数を表し、0.1、2.5等の数値は、長さ（単位メートル）を表します。

3.数量欄の（ ）は、組部品を構成している子部品であることを意味します。

4.イラストページの-----枠は、組構成であることを意味します。

5.リストページの"☆"（消耗部品）、"◎"（オプション部品）の印がついた部品は、予備を準備しておくことをお奨めします。

# NUMERICAL INDEX OF PARTS

PART NO	PAGE	REF NO.	PART NO	PAGE	REF NO.	PART NO	PAGE	REF NO.
10320109	70	25	13860408	136	54	22617609	72	11
10539906	100	7	13951009	36	22	22617609	76	11
10546901	8	37	13951009	120	11	22617708	72	12
10697506	70	14	13951009	130	11	22617708	76	12
10697506	72	4	13951009	134	11	22617807	70	16
10697506	76	4	18035006	52	85·86	22617807	72	13
10697605	72	3	18035105	52	85·86	22617807	76	13
10697605	76	3	18035303	68	19	22618201	70	7
10710804	28	3	18035501	54	6	22618201	72	14
10711653	108	5	18035501	122	30	22618201	76	14
10712552	108	6	18035501	126	30	22618300	72	15
10714103	42	42	18035501	130	41	22618300	76	15
10714103	56	22	18035501	134	41	22618706	70	24
10714103	122	14	18035709	56	12	22618706	72	16
10714103	126	14	18035709	122	12	22618706	76	16
10714103	130	25	18035709	126	12	22618805	72	17
10714103	134	25	18035709	130	23	22618805	76	17
10714608	44	46	18035709	134	23	22618904	72	18
10715704	48	62	18035907	32	13	22618904	76	18
10715704	50	62	18035907	120	2	22622401	116	5
10718906	42	2	18035907	130	2	22681407	12	22
10721504	6	23	18035907	134	2	22681506	12	23
10773000	88	56	18219105	22	32·33	22681712	12	16
10777407	104	43	21334800	20	1·2	22681803	12	45
11002904	12	33	21334800	100	1	22681951	12	39~44
12210803	92	112	21343108	98	27	22682058	12	39~44
12316907	92	116	21343157	98	21	22682157	12	39~44
12938304	70	17	21387600	14	10	22682256	12	39~44
12938304	72	7	21387709	14	11	22682355	12	39~44
12938304	76	7	21387808	14	12	22682504	12	37
13142609	88	59·117	21387907	14	13	22682702	12	15
13142609	92	59·117	21451406	10	7·8	22686000	12	29
13319405	62	33·34	21470505	64	51·52	22687503	78	57
13409107	32	10	22528509	70	40	22687701	78	53
13416508	62	10·11	22528509	74	54	22863203	98	15
13424502	48	31	22528509	78	47	22863252	98	14
13461504	62	35·36	22606206	10	21~28	22901805	2	8
13718507	84	16	22606305	10	21~28	22902506	2	18
13765607	86	12·13	22606404	10	21~28	22904106	44	57
13817408	70	18	22607600	10	21~28	22904155	30	52
13817408	72	6	22607709	10	21~28	22904155	44	56
13817408	76	6	22607709	12	32	22911804	48	61
13860408	100	9	22607808	10	21~28	22911804	50	61
13860408	120	18	22607907	10	21~28	22912257	70	1
13860408	132	54	22615702	78	63	22912257	74	47



# NUMERICAL INDEX OF PARTS

PART NO	PAGE	REF NO.	PART NO	PAGE	REF NO.	PART NO	PAGE	REF NO.
22912257	78	86	22963409	70	33	26260406	84	4
22913008	30	75	22963409	72	38	26260505	84	6
22913008	42	5	22963409	76	39	26260802	84	8
22921308	84	32	23007503	20	8·9	26261008	84	9
22921407	70	23	23021355	110	26	26261503	84	11
22921407	72	33	23023856	110	24	32055501	80	6
22921407	76	33	23036304	44	49	40006323	138	1
22921407	84	31	23540305	88	48	40006716	32	2
22921506	70	20	23542418	80	1	40010709	10	1
22921506	72	25	23600505	2	30·31	40010709	12	1
22921506	76	25	23605207	6	12	40011902	6	31
22921506	84	28	23613409	48	23	40013595	88	43
22921704	84	29	23628357	88	35	40022407	88	50
22926000	102	23	23629306	90	103	40023568	10	2
22932107	40	11	23629306	100	13	40023568	12	2
22932156	40	10	23629405	90	90	40023627	28	19
22932404	98	19	23629504	88	53	40025035	98	2
22932453	98	18	23630007	48	13	40025035	120	36
22932800	100	2	23630007	86	108·109	40025035	132	71
22933105	100	4	23630007	88	108·109	40025035	136	71
22933204	100	5	23630007	92	108·109	40025036	98	1
22934202	98	24	23630106	86	110·111	40025036	120	30
22934301	98	25	23630106	90	110·111	40025036	132	70
22934400	98	23	23630106	92	110·111	40025036	136	70
22934509	98	22	23630403	88	40	40026457	102	32
22934707	98	20	23630502	88	41	40026818	8	46
22935308	86	11	23630601	88	93	40026920	116	1
22945703	70	32	23630601	90	93	40027770	106	49
22945703	72	37	23630650	88	38	40028556	78	59
22945703	76	38	23631708	56	16	40028641	78	62
22945802	70	35	23631807	56	17	40028668	12	38
22945802	72	42	23631906	56	18	40032147	12	7
22945802	76	43	23632102	56	14	40032327	78	58
22949101	34	17	23638406	60	2	40032804	86	28·29
22949101	120	6	23639503	40	23	40033825	48	24
22949101	130	6	26018705	44	84	40034674	2	13
22949101	134	6	26228304	42	28	40034675	2	12
22954309	70	2	26229302	50	53	40036167	88	36
22954309	74	48	26229302	122	21	40038494	28	35
22954309	78	87	26229302	126	21	40038494	44	55
22956205	62	2·3	26229302	130	32	40038772	110	22
22957104	62	4·5	26229302	134	32	40038774	110	21
22957203	62	6·7	26231902	64	91	40038776	110	20
22958300	100	6·41	26260109	84	2	40038778	110	19
22958300	104	6·41	26260307	84	3	40038802	114	4

## NUMERICAL INDEX OF PARTS

PART NO	PAGE	REF NO.	PART NO	PAGE	REF NO.	PART NO	PAGE	REF NO.
40038806	114	12	40085786	96	17	40112087	6	1·19
40038808	114	15	40085787	94	5	40112088	6	1·19
40038810	114	1	40085787	96	2	40112091	6	27
40038848	110	30	40085788	94	6	40112092	6	28
40038850	110	33	40085788	96	16	40112093	6	29
40038852	110	32	40085789	94	7	40112094	6	30
40038854	110	27	40085789	96	15	40112098	42	11
40039271	110	31	40085790	94	8	40112106	6	5
40039629	12	36	40085790	96	14	40112118	42	18
40042716	2	14	40085791	94	9	40112127	40	9
40052254	56	4	40085791	96	13	40112127	50	49
40052254	122	5	40085792	94	10	40112127	122	17
40052254	126	5	40085792	96	7	40112127	126	17
40052254	130	16	40085793	94	11	40112127	130	28
40052254	134	16	40085793	96	5	40112127	134	28
40062041	110	25	40085794	94	12	40112137	68	2
40062043	110	23	40085794	96	4	40112138	68	3
40067204	112	44	40085795	94	13	40112140	68	5
40075542	24	41	40085795	96	3	40112149	68	6
40075547	24	46	40085796	94	16	40112152	10	11
40075547	26	46	40085796	96	20	40112152	12	8
40075548	24	45	40086018	48	32	40112176	28	5
40075548	26	45	40086679	80	15	40112184	32	3
40077931	50	74	40088958	84	27	40112187	32	14
40079298	102	31	40088959	84	30	40112187	120	3
40079896	24	31	40090058	28	17	40112187	130	3
40079898	24	10·11	40095222	12	24	40112187	134	3
40079899	24	12·13	40096325	94	14	40112188	34	15
40079900	24	14·15	40096325	96	21	40112188	120	4
40079901	24	16	40096326	94	17	40112188	130	4
40079902	24	37	40096326	96	19	40112188	134	4
40079903	24	38	40096327	94	19	40112191	54	7
40079904	24	39	40096327	96	18	40112191	122	31
40079905	24	40	40101719	90	92	40112191	126	31
40079909	24	42	40101721	88	47	40112191	130	42
40079909	26	42	40102261	2	5	40112191	134	42
40079912	24	50	40105510	58	2	40112192	54	11
40079912	26	50	40106576	96	10	40112192	122	35
40082078	40	17	40106579	94	26	40112192	126	35
40084142	2	24	40106579	96	11	40112192	132	46
40085784	94	2	40106580	96	9	40112192	136	46
40085784	96	12	40106582	96	8	40112197	30	47
40085785	94	3	40106584	96	1	40112199	30	48
40085785	96	6	40111350	94	25	40112204	70	9
40085786	94	4	40111351	94	1	40112204	72	19

# NUMERICAL INDEX OF PARTS

PART NO	PAGE	REF. NO.	PART NO	PAGE	REF. NO.	PART NO	PAGE	REF. NO.
40112204	76	19	40123639	42	35	40126160	28	31
40112213	56	15	40123667	42	4	40126163	42	9
40112214	118	2	40125843	42	13	40126166	28	12
40112215	58	3	40125844	84	25	40126221	2	33
40112216	58	5	40125850	30	50	40126222	102	28
40112218	70	10	40125851	84	7	40126222	116	8
40112218	72	20	40125852	28	8	40126223	28	34
40112218	76	20	40125854	28	9	40126244	6	8
40112219	70	11	40125856	42	22	40126259	60	4
40112219	72	21	40125857	42	34	40126263	80	3
40112219	76	21	40125858	50	64	40126264	28	37
40112228	68	9	40125861	28	2	40126265	70	3
40112234	62	20-21	40125862	14	14	40126265	74	50
40112235	62	22-23	40125864	50	51	40126265	78	88
40112240	14	7	40125864	122	19	40126267	100	12
40112242	16	58-59	40125864	126	19	40126269	28	36
40112253	14	27	40125864	130	30	40126270	40	1
40112270	10	17	40125864	134	30	40126271	40	2
40112272	10	18	40125867	28	22	40126273	40	7
40112273	10	13	40125868	28	44	40126274	40	8
40112277	2	41	40125872	68	4	40126311	84	14
40112299	6	20	40125873	70	4	40126321	6	9
40112312	6	3	40125873	74	51	40126338	28	33
40112320	86	1	40125873	78	89	40126339	42	37
40113224	14	19	40125876	30	71	40126354	84	10
40117425	12	39~44	40125926	28	46	40126355	84	1
40123247	14	4	40125927	84	13	40126356	40	3
40123248	62	31-32	40125928	84	24	40126359	44	88
40123252	42	38	40125930	6	32	40126363	48	1
40123262	28	28	40125935	44	87	40126364	32	6
40123319	28	27	40125937	28	11	40126366	14	15
40123320	28	29	40125939	6	35-36	40126367	32	1
40123321	28	30	40125943	28	18	40126372	16	56-57
40123332	42	36	40125948	80	2	40126374	28	45
40123345	30	72	40125949	80	4	40126375	42	21
40123345	44	89	40125950	6	6	40126386	42	6
40123414	28	39	40126116	48	15	40126390	28	32
40123415	28	41	40126127	82	11	40126399	24	1~3
40123416	28	38	40126150	32	4	40126400	30	49
40123547	42	16	40126151	42	15	40126401	42	39
40123555	28	40	40126152	100	14	40126404	70	12
40123626	42	14	40126155	98	10	40126405	100	11
40123627	42	33-98	40126157	30	69	40126454	14	28
40123634	28	20	40126158	30	70	40126455	16	62
40123634	42	19	40126159	30	68	40126549	84	23

# NUMERICAL INDEX OF PARTS

PART NO	PAGE	REF NO.	PART NO	PAGE	REF NO.	PART NO	PAGE	REF NO.
40126550	84	12	40130013	42	1	40130062	110	18
40126557	72	22	40130014	44	51·95	40130063	110	16
40126562	80	14	40130015	46	51·95	40130064	110	7
40126563	80	13	40130016	42	44	40130065	110	11
40126582	88	54	40130017	42	45	40130066	110	9
40126594	84	5	40130018	44	48	40130067	108	3
40126642	50	66	40130019	40	6	40130068	108	2
40126643	50	68	40130020	6	10	40130277	6	4
40126724	70	13	40130021	8	38	40130283	82	5
40126724	72	23	40130022	8	39	40130284	82	4
40126724	76	23	40130024	56	2	40130285	56	13
40127041	10	9	40130024	122	3	40130285	122	13
40127041	12	10	40130024	126	3	40130285	126	13
40127049	6	33·34	40130024	130	14	40130285	130	24
40129975	2	27	40130024	134	14	40130285	134	24
40129977	2	1	40130027	20	6·16·17	40130286	56	20
40129979	108	7	40130028	20	22·23	40130287	58	1
40129982	2	47	40130030	20	28·29	40130287	122	39
40129982	4	47	40130031	20	18·19	40130287	126	39
40129983	2	37	40130034	24	1~3	40130287	132	66
40129984	48	3	40130035	14	31·32	40130287	136	66
40129985	50	65	40130036	16	42·43	40130288	58	4
40129986	48	2	40130037	86	26·27	40130289	60	1
40129988	48	4	40130038	86	15·97	40130289	124	48
40129991	50	50	40130039	86	16·17	40130289	128	53
40129991	122	18	40130040	20	4·5·14·1-	40130289	132	81
40129991	126	18			5·43	40130289	136	86
40129991	130	29	40130041	14	1	40130290	60	5
40129991	134	29	40130042	14	24	40130291	80	11
40129995	2	25	40130043	14	25·26	40130409	42	25
40129999	50	67	40130044	14	25·26	40130412	48	39
40130001	48	17	40130048	20	12·13	40130413	56	1
40130003	48	70	40130049	62	14·15	40130413	122	2
40130003	50	70	40130050	62	25·26	40130413	126	2
40130004	48	69	40130051	62	12·13	40130413	130	13
40130004	50	69	40130052	62	37·38	40130413	134	13
40130005	48	71	40130053	62	39·40	40130414	56	3
40130005	50	71	40130054	62	41·42	40130414	122	4
40130006	48	88	40130055	62	29·30	40130414	126	4
40130006	52	88	40130056	62	27·28	40130414	130	15
40130007	42	23	40130057	62	8·9	40130414	134	15
40130009	42	32	40130058	62	43·44	40130593	64	57·58
40130010	42	8	40130059	62	24·94	40130620	64	61·62
40130011	42	7	40130060	66	24·94	40130702	6	2
40130012	42	41	40130061	108	4	40130704	4	43

# NUMERICAL INDEX OF PARTS

PART NO	PAGE	REF NO.	PART NO	PAGE	REF NO.	PART NO	PAGE	REF NO.
40130705	4	44	40133595	90	80-81	40134959	48	35
40130706	4	45	40133612	68	1	40135153	98	13
40130819	52	87	40133655	68	7	40135506	116	3
40130820	50	89	40133718	22	38-39	40135507	116	2
40130820	52	89	40133730	102	34	40136296	10	14
40130907	110	17	40133762	90	78-79	40137517	90	98
40130908	110	6	40133826	48	38	40137553	42	17
40130909	98	28	40133882	16	52	40137554	46	90
40130925	110	12	40133883	16	53	40137612	52	93
40130926	110	15	40133922	90	87	40137613	48	94
40130927	110	5	40133978	102	36	40137613	52	94
40130928	110	8	40133978	132	49	40137779	46	92
40131014	100	16	40133978	136	49	40137780	46	93
40131015	100	15	40133979	106	48	40137780	48	36
40131016	110	10	40133979	122	38	40137802	66	96-97
40131017	110	1	40133979	126	38	40137803	66	98-99
40131018	110	4	40133979	132	52	40137885	90	15-97
40131642	8	47	40133979	136	52	40137886	20	4-5-14-1-5-43
40131643	8	48	40133982	102	35	40137921	64	65-66
40131644	12	11	40133982	120	13	40137923	20	6-16-17
40131645	8	50	40133983	104	40	40137930	22	3-7-42
40131646	8	52	40133983	120	16	40137999	66	100-101
40131649	12	12	40133985	106	47	40138044	62	1-95
40131651	12	13	40133985	120	15	40138044	66	1-95
40131653	12	34	40133985	132	51	40138418	18	75~79-80 ~85
40131654	12	18	40133985	136	51	40138419	18	75~79-80 ~85
40131655	12	21	40134017	114	6	40138420	18	75~79-80 ~85
40131656	12	30	40134018	114	13	40138421	18	75~79-80 ~85
40131657	78	49	40134019	114	14	40138422	18	75~79-80 ~85
40131658	78	50	40134020	114	9	40138423	18	75~79-80 ~85
40131659	78	54	40134097	108	9	40138461	24	1~3
40131660	78	67	40134098	108	8	40138477	78	66
40131662	78	70	40134105	48	12	40138482	8	51
40131663	78	72	40134528	48	5	40138484	76	10
40131664	78	75	40134531	20	3-7-42	40138572	120	1
40131665	78	74	40134532	6	35-36	40138573	130	1
40131666	78	76	40134534	46	33-98	40138640	12	9
40131668	76	22	40134545	6	33-34	40138898	122	1
40131887	50	46	40134795	24	28	40138933	78	81
40131952	42	24	40134805	2	29	40138933	128	47
40131954	42	40	40134805	122	43			
40132118	48	78	40134805	126	43			
40132118	52	78	40134805	132	61			
40133301	100	3	40134805	136	81			
40133503	62	18-19	40134834	2	30-31			

# NUMERICAL INDEX OF PARTS

PART NO	PAGE	REF. NO.	PART NO	PAGE	REF. NO.	PART NO	PAGE	REF. NO.
40138933	136	82	40149118	30	76~79	B122177100F	18	67~74
40138934	78	83	40149120	30	84~87	B122177100G	18	67~74
40138934	128	49	40149121	30	84~87	B122177100H	18	67~74
40138934	136	61	40149122	30	84~87	B125578100A	44	54
40139001	98	12	40149123	30	84~87	B125578100C	18	67~74
40139042	16	54·55	40149125	30	80~83	B1308055000	14	16
40139455	48	14	40149126	30	80~83	B1310055000	14	17
40139455	66	93	40149127	30	80~83	B1314055000	14	18
40139586	126	1	40149128	30	80~83	B1401246000	10	7·8
40139587	134	1	40151791	84	15	B1418141H00	10	6
40141066	22	4·5·14·1- 5·43	40152022	84	35	B1418141H00	108	1
40141331	12	6	40152295	14	29·30	B1425526000	112	48
40144283	32	5	40153187	112	43	B1438512B00	10	21~28
40144287	28	4	40153188	112	42	B1504210000	54	1
40144289	28	1	40154199	28	15	B1504210000	122	37
40144890	110	34	40154832	42	12	B1504210000	126	37
40144893	110	35	40154833	46	100	B1504210000	132	48
40144896	110	36	40155958	70	30	B1504210000	136	48
40144899	110	37	40155959	72	36	B1516210D00	102	27
40144901	110	38	40155960	70	34	B152652700G	48	63
40144903	110	39	40155960	72	40	B152652700G	50	63
40144905	112	40	40155994	70	31	B1639051000	14	8
40144907	112	41	40155994	72	39	B1803019000	8	40
40148031	24	29	40155994	76	40	B1834512000A	88	95
40148032	24	6·7	40155995	72	41	B1834512000A	90	95
40148033	24	32	40155995	76	42	B2508047000	64	55·56
40148034	24	10·11	40163121	20	10·11	B255728000A	18	75~79·80 ~85
40148035	24	34	40163259	22	34·35	B255728000B	18	75~79·80 ~85
40148036	24	35	40171514	68	8	B255728000C	18	75~79·80 ~85
40148037	24	43	40171574	28	23	B255728000D	18	75~79·80 ~85
40148037	26	43	40176347	70	5	B255728000E	18	75~79·80 ~85
40148038	24	44	40176348	72	1	B3019816000	20	24·25
40148038	26	44	40176349	70	6	B3031141H00	54	3
40148039	24	4·5	40176350	72	2	B3031141H00	122	27
40148041	24	6·7	40176628	28	7	B3031141H00	126	27
40148042	24	30	40177393	76	1	B3031141H00	130	38
40148043	24	33	40177394	76	2	B3031141H00	134	38
40148044	24	36	40177400	76	41	B3112704000	70	8
40148045	26	47	40177402	76	37	B3112704000	72	24
40148046	26	48	B1132521000	2	15	B3112704000	76	24
40148047	26	49	B1203512000	6	11	B3129053000	72	32
40149115	30	76~79	B122177100A	18	67~74	B3129053000	70	22
40149116	30	76~79	B122177100B	18	67~74			
40149117	30	76~79	B122177100D	18	67~74			
			B122177100E	18	67~74			

NUMERICAL INDEX OF PARTS

PART NO	PAGE	REF NO.	PART NO	PAGE	REF NO.	PART NO	PAGE	REF NO.
B3129053000	76	32	BT0800501EB	120	29	EA9500B0100	82	13
B31375270A0	70	15	BT0800501EB	132	64	EA9500B0100	88	52·104
B31375270A0	72	26	BT0800501EB	136	64	EA9500B0100	92	52·104
B31375270A0	76	26	CM300200001	2	7	EA9500B0100	100	8
B3138527000	72	27	CM300400901	78	78·79	EA9500B0100	120	17
B3138527000	76	27	CM300400902	78	78·79	EA9500B0100	132	53
B3139527000	72	28	CQ200000000	88	100	EA9500B0100	136	53
B3139527000	76	28	CQ200000000	90	100	EA9500B0200	82	12
B3141527000	72	29	CQ202000000	8	53	EA9500B0200	92	105
B3141527000	76	29	CQ202000000	28	74	EA9500B0200	104	45
B3142527000	72	30	CQ202000000	30	74	EA9500B0200	120	27
B3142527000	76	30	CQ202000000	44	97	EA9500B0200	132	65
B3143527000	72	31	CQ202000000	46	97	EA9500B0200	136	65
B3143527000	76	31	CQ202000000	90	77	G1216870000	14	37
B3417051000	124	47	CQ252000000	10	16	HX00150000B	102	30
B3417051000	126	40	CQ252000000	28	56	HX00150000C	82	14
B3417051000	132	62	CQ252000000	30	56	HX00150000D	90	101
B3417051000	136	67	CQ252000000	90	94	HX00150000H	82	8
B3428521000	98	16	CQ300000000	92	113·114	HX00150000M	82	9
B3525357000	86	22·23	CS0800881TP	16	40·41	HX003140000	38	24·25
B3534012000	86	24·25	CS1201010SH	40	22	HX00314000A	38	24·25
B4122804000	48	48	CS1201010SH	48	33	M13517B1400	10	19·20·31
B4122804000	50	48	CS1701181TP	10	3	M13517B1400	12	28
B9113012000	104	44	CS1701181TP	12	3	M13517B1402	100	19·42
B91210120A0	100	18	D1231555B00	30	51	M13517B2000	10	19·20·31
BP500000000	88	58	D1231555B00	44	53	M13517B2002	104	19·42
BT0400251EB	32	12	D2112555B00	2	39	MAH152010A0	118	1
BT0400251EB	50	75·76	D2112555B00	90	88	MAT80230T00	98	3
BT0400251EB	54	2	D2112555B00	116	10	MAT80230T00	120	37
BT0400251EB	56	6	D2112555B00	122	42	MAT80230T00	132	72
BT0400251EB	68	13	D2112555B00	126	42	MAT80230T00	136	72
BT0400251EB	120	26	D2112555B00	132	80	MAT80231T00	98	4
BT0400251EB	122	26	D2112555B00	136	80	MAT80231T00	120	38
BT0400251EB	126	26	D2464555B00	68	11	MAT80231T00	132	73
BT0400251EB	130	68	D2611555B00	90	85·86	MAT80231T00	136	73
BT0400251EB	132	68	D2629M1YC0F	50	52	MAT80232T00	98	5
BT0400251EB	134	68	D2629M1YC0F	122	20	MAT80232T00	120	31
BT0400251EB	136	68	D2629M1YC0F	126	20	MAT80232T00	132	74
BT0600401EB	82	1	D2629M1YC0F	130	31	MAT80232T00	136	74
BT0600401EB	104	38	D2629M1YC0F	134	31	MDFRX1600C0	100	10
BT0600401EB	120	28	E2613700000	28	26	MTJVH00540A	116	7
BT0600401EB	132	63	E3026721000	8	41	MTSP00700B0	116	6
BT0600401EB	136	63	EA9500B0100	52	91	NM6030001SC	80	7
BT0800501EB	82	2	EA9500B0100	56	21	NM6040002SC	94	27
BT0800501EB	104	39	EA9500B0100	80	16	NM6040002SC	96	25

# NUMERICAL INDEX OF PARTS

PART NO	PAGE	REF. NO.	PART NO	PAGE	REF. NO.	PART NO	PAGE	REF. NO.
NM6050001SD	40	21	PF055107000	132	56	RE0320000K0	54	4
NM6050001SD	50	54	PF055107000	136	56	RE0320000K0	122	28
NM6050001SD	122	22	PJ020500002	82	7	RE0320000K0	126	28
NM6050001SD	126	22	PJ020500002	122	45	RE0320000K0	130	39
NM6050001SD	130	33	PJ020500002	126	45	RE0320000K0	134	39
NM6050001SD	134	33	PJ025100003	100	20	RE0400000K0	30	57
NM6050001SE	94	24	PJ025100003	120	19	RE0400000K0	38	23
NM6050001SE	96	26	PJ025100003	132	55	RE0400000K0	68	15
NM6050001SP	102	26	PJ025100003	136	55	RE0400000K0	120	12
NM6050001SP	120	24	PJ046052503	52	77	RE0400000K0	130	12
NM6050001SP	132	60	PJ046052503	56	7	RE0400000K0	134	12
NM6050001SP	136	60	PJ046052503	68	14	RE0500000K0	14	9
NM6060001CP	8	42	PJ046052503	122	8	RE0500000K0	62	102·103
NM6060001CP	42	31	PJ046052503	126	8	RE0500000K0	66	102·103
NM6060001CP	56	9	PJ046052503	130	19	RE0500000K0	70	41
NM6060001CP	78	65	PJ046052503	134	19	RE0500000K0	72	46
NM6060001CP	122	9	PJ301040502	124	46	RE0500000K0	78	48
NM6060001CP	126	9	PJ301040502	128	46	RE0700000K0	78	56
NM6060001CP	130	20	PJ304040504	54	5	RE1000000K0	40	15
NM6060001CP	134	20	PJ304040504	122	29	RE1200000K0	44	60
NM6060001SD	28	25	PJ304040504	126	29	RO037180100	70	26
NM6060001SE	40	18	PJ304040504	130	40	RO037180100	72	34
NS6110310SP	40	14	PJ304040504	134	40	RO037180100	76	34
NS6110310SP	64	67·68	PJ304045102	36	21	RO092270200	48	55
NS6110310SP	70	38	PJ304045102	120	10	RO092270200	50	55
NS6110310SP	72	45	PJ304045102	130	10	RO098240100	88	44
NS6110310SP	76	46	PJ304045102	134	10	SB108000400	14	60·61
NS6110310SP	86	30·31	PJ304065101	102	22	SB108000400	16	60·61
NS6680410SP	44	85	PJ304065101	120	21	SB108001900	6	24·55
PA200150900	52	84	PJ304065101	132	57	SB108001900	8	24·55
PA200350300	68	10	PJ304065101	136	57	SB115000200	44	73·99
PA250250900	54	12	PV150209100	82	6	SB115001000	16	44
PA250250900	56	5	PV150209100	122	44	SB115002200	16	64
PA250250900	122	36	PV150209100	126	44	SB117000700	46	73·99
PA250250900	126	36	RC0150001KP	30	53	SB120001800	6	13
PA250250900	130	47	RC0150001KP	44	59	SB120001800	14	5
PA250250900	132	47	RC0560711KP	84	17	SB120002700	6	16
PA250250900	134	47	RC0650811KP	44	71	SB125000600	30	58
PA250250900	136	47	RC0740811KP	56	23	SB130000200	44	72
PA400150200	34	16	RC0740811KP	122	15	SB310000300	8	56
PA400150200	120	5	RC0740811KP	126	15	SB310000300	12	26
PA400150200	130	5	RC0740811KP	130	26	SD0380556TL	2	16
PA400150200	134	5	RC0740811KP	134	26	SD0450401SP	70	27
PF055107000	100	21	RC2351018KP	14	35·36	SD0450401SP	72	35
PF055107000	120	20	RE0300000K0	64	59·60	SD0450401SP	76	35



NUMERICAL INDEX OF PARTS

PART NO	PAGE	REF NO.	PART NO	PAGE	REF NO.	PART NO	PAGE	REF NO.
SD0460576TP	64	53-54	SM0030601SC	84	18	SM4051255SP	80	12
SD0500803TP	40	16	SM0050801SC	30	61	SM4051405SE	94	23
SD0550271TP	80	8	SM0051001SC	84	34	SM4051405SE	96	24
SD0600346TP	78	52	SM1040750TP	2	46	SM4055501SC	2	4
SD0640322TP	14	20	SM1040750TP	4	46	SM4061201SC	116	4
SD0640752TP	78	61	SM1040950TP	112	45	SM5040655SN	84	19
SD0650321TP	64	69-70	SM1061201SN	14	21	SM6030402TP	86	18-19
SD0800321TH	68	16	SM2051000SC	2	38	SM6030450TP	20	30-31
SD0800327TP	78	73	SM4021601SN	60	3	SM6030450TP	22	30-31
SD0800341SP	68	17	SM4030455SP	12	25	SM6030602TP	64	71-72
SD0800346TP	52	79	SM4030601SN	28	10	SM6030602TP	80	9
SD0800406TP	56	24	SM4040501SN	78	84	SM6030602TP	112	47
SD0800406TP	122	16	SM4040501SN	128	50	SM6031202TP	84	20
SD0800406TP	126	16	SM4040501SN	136	62	SM6040502TP	42	27
SD0800406TP	130	27	SM4040655SP	66	92	SM6040602TP	12	35
SD0800406TP	134	27	SM4040655SP	88	51	SM6040602TP	90	102
SD0802126TP	28	24	SM4040855SP	82	15	SM6040650TP	10	10
SD0900426TP	52	80	SM4041201SC	58	7	SM6040650TP	12	14
SD1000406TP	40	19	SM4041201SC	94	29	SM6040650TP	16	63
SD1021251SP	42	20	SM4041201SC	96	22	SM6040650TP	22	36-37
SK3482001SE	98	11	SM4041201SC	128	51	SM6040650TP	30	59
SK3482001SE	104	46	SM4041201SC	136	84	SM6040650TP	46	91
SK3482001SE	106	46	SM4041401SC	78	71	SM6040650TP	108	12
SK3482001SE	120	14	SM4042501SC	94	28	SM6040650TP	114	16
SK3482001SE	132	50	SM4042501SC	96	23	SM6040800SP	108	10
SK3482001SE	136	50	SM4050501SC	10	29	SM6040802TP	20	26-27
SK3482500SC	98	29	SM4050855SP	2	40	SM6040802TP	50	42
SK3482500SC	100	17	SM4050855SP	50	56	SM6040802TP	64	75-76
SK3514000SC	98	30	SM4050855SP	56	8	SM6040870SP	2	34
SK3514000SC	120	25	SM4050855SP	70	42	SM6040870SP	78	77
SK3514000SC	132	69	SM4050855SP	74	49	SM6041002TP	64	63-64
SK3514000SC	136	69	SM4050855SP	78	90	SM6041150TP	78	82
SL4040691SC	60	6	SM4050855SP	102	29	SM6041150TP	128	48
SL4040691SC	124	49	SM4050855SP	116	9	SM6041150TP	136	83
SL4040691SC	128	54	SM4050855SP	122	41	SM6041402TP	48	45
SL4040691SC	132	82	SM4050855SP	126	41	SM6041402TP	50	45
SL4040691SC	136	87	SM4050855SP	130	79	SM6041802TP	48	73
SL4040881SC	48	26	SM4050855SP	132	79	SM6041802TP	50	73
SL4041091SC	82	3	SM4050855SP	134	79	SM6041802TP	88	34
SL4041491SC	58	6	SM4050855SP	136	79	SM6043002TN	90	84
SL4041491SC	122	40	SM4051001SN	70	43	SM6050450TP	78	68
SL4041491SC	132	67	SM4051001SN	74	52	SM6050800SP	46	94
SL4051091SC	68	18	SM4051001SN	78	80	SM6050802TP	32	9
SL6051092TN	88	45	SM4051055SP	2	32	SM6050802TP	52	81
SL6052592TN	6	17	SM4051055SP	102	33	SM6050802TP	68	20

# NUMERICAL INDEX OF PARTS

PART NO	PAGE	REF NO.	PART NO	PAGE	REF NO.	PART NO	PAGE	REF NO.
SM6051000SP	30	60	SM6060550TP	90	89	SM8050612TP	64	49·50
SM6051002TP	8	43	SM6061002TP	4	42	SM80506A2TP	16	50·51
SM6051002TP	64	77·78	SM6061002TP	54	8	SM8050812TP	6	7
SM6051202TP	40	4	SM6061002TP	68	12	SM8050812TP	44	78
SM6051202TP	50	58	SM6061002TP	122	32	SM8050842TP	44	77
SM6051202TP	62	45·46	SM6061002TP	126	32	SM8051002TP	84	33
SM6051202TP	64	45·46	SM6061002TP	130	43	SM8060552TP	20	20·21
SM6051202TP	78	60	SM6061002TP	134	43	SM8060552TP	28	66
SM6051202TP	102	24	SM6061010TP	52	82	SM8060552TP	30	66
SM6051202TP	120	22	SM6061202TP	30	62	SM8060552TP	42	43
SM6051202TP	122	25	SM6061402TP	44	83	SM8060612TP	8	45
SM6051202TP	126	25	SM6061402TP	118	4	SM8060612TP	10	4
SM6051202TP	130	58	SM6061602TP	36	19	SM8060612TP	12	4
SM6051202TP	132	58	SM6061602TP	52	83	SM8060612TP	30	65
SM6051202TP	134	58	SM6061602TP	54	9	SM8060612TP	32	7
SM6051202TP	136	58	SM6061602TP	120	8	SM8060612TP	42	80
SM6051400SP	40	5	SM6061602TP	122	33	SM8060612TP	44	80
SM6051400SP	50	57	SM6061602TP	126	33	SM8060612TP	48	72
SM6051400SP	122	24	SM6061602TP	130	44	SM8060612TP	50	72
SM6051400SP	126	24	SM6061602TP	134	44	SM8060812TP	6	25
SM6051400SP	130	35	SM6061802TP	16	46·47	SM8060812TP	14	6
SM6051400SP	134	35	SM6061802TP	44	75	SM8060812TP	44	81
SM6051402TP	42	52	SM6061802TP	88	49	SM8060812TP	64	79·80
SM6051402TP	44	52	SM6062002TP	30	63	SM80608A2TP	6	14
SM6051402TP	68	21	SM6062502TP	46	101	SM8061212TP	78	64
SM6051402TP	118	3	SM6081552TP	34	18	SM8063012TR	40	13
SM6051602TP	8	49	SM6081552TP	120	7	SM8080812TP	6	22
SM6051602TP	50	59	SM6081552TP	130	7	SM9061203SE	98	26
SM6051802TP	32	8	SM6081552TP	134	7	SM9061853SR	40	20
SM6052002TP	48	30	SM6084502TP	56	11	SQ0000401MZ	86	20·21
SM6054502TN	36	20	SM6084502TP	122	11	SS3090710TP	70	28
SM6054502TN	120	9	SM6084502TP	126	11	SS4090515SP	80	5
SM6054502TN	130	9	SM6084502TP	130	22	SS4090715SP	12	46
SM6054502TN	134	9	SM6084502TP	134	22	SS4110615SP	70	29
SM6054502TP	54	10	SM8040312TP	64	47·48	SS4110615SP	72	5
SM6054502TP	122	34	SM8040412TP	44	76	SS4110615SP	76	36
SM6054502TP	126	34	SM8040412TP	78	69	SS4110815SP	70	37
SM6054502TP	130	45	SM8050412TP	16	48·49	SS4110815SP	72	44
SM6054502TP	134	45	SM8050412TP	48	47	SS4110815SP	76	45
SM6055002TP	56	10	SM8050412TP	50	47	SS6060220SP	64	81·82
SM6055002TP	122	10	SM8050502TP	84	21	SS6060510TP	12	31
SM6055002TP	126	10	SM8050512TP	64	85·86	SS6080320SP	22	40·41
SM6055002TP	130	21	SM8050512TP	88	46	SS6090520SP	64	83·84
SM6055002TP	134	21	SM8050612TP	28	6	SS6090612TP	44	50
SM6056552TP	68	22	SM8050612TP	44	79	SS6110480SP	64	73·74

## NUMERICAL INDEX OF PARTS

PART NO	PAGE	REF NO.	PART NO	PAGE	REF NO.
SS6110480SP	108	11	WP0320501SE	80	10
SS6111010TP	44	82	WP0371016SD	12	19
SS6121210SP	48	60	WP0430800SD	28	21
SS6121210SP	50	60	WP0430800SD	86	32-33
SS6151220SP	98	6	WP0430801SC	58	8
SS6151220SP	120	32	WP0430801SC	128	52
SS6151220SP	132	75	WP0430801SC	136	85
SS6151220SP	136	75	WP0431005SP	42	30
SS7090510SP	72	8	WP0431005SP	50	90
SS7090510SP	76	5	WP0431005SP	52	90
SS7090510SP	98	17	WP0450000SD	64	87-88
SS7090910TP	10	12	WP0450826SC	84	22
SS7110710SL	98	8	WP0460326SF	78	85
SS7110710SL	120	34	WP0460556SD	70	21
SS7110710SL	132	77	WP0460556SD	72	10
SS7110710SL	136	77	WP0460556SD	76	9
SS7110740TP	56	19	WP0480856SP	98	9
SS7111410SP	98	7	WP0480856SP	120	35
SS7111410SP	120	33	WP0480856SP	132	78
SS7111410SP	132	76	WP0480856SP	136	78
SS7111410SP	136	76	WP0501016SD	70	19
SS8080410TP	10	15	WP0501016SD	72	9
SS8110422TP	44	74	WP0501016SD	76	8
SS8111010TP	14	22	WP0531000SD	6	26
SS8151550SP	6	21	WP0531001SC	94	22
SS8660610TP	44	58	WP0531001SC	96	28
SS8660612TP	14	23	WP0550800SP	42	26
SS8661012TP	70	39	WP0550800SP	64	89-90
SS8661012TP	74	53	WP0650876SD	44	61
SS8661012TP	78	91	WP0740516SP	42	86
SS9110460CP	78	51	WP0740516SP	44	86
SS9110543CP	112	46	WP0820516SP	8	44
TA0180401M0	14	33-34	WP1612616SE	94	15
TA0290301M0	8	54	WP1612616SE	96	27
TA0500301R0	10	30	WS0510002KN	94	21
TA0500301R0	12	27	WS0510002KN	96	29
TA0620504R0	10	5	WS0510002KN	102	25
TA0620504R0	12	5	WS0510002KN	120	23
TA0620504R0	16	65-66	WS0510002KN	132	59
TA1030402R0	2	19	WS0510002KN	136	59
TA1250406R0	2	21	WT1780011KP	48	40
TA1270502R0	2	20	WZ1052010KP	32	11
TA1550902R0	2	35			
TA1650406R0	2	9			
WP0320501SC	84	26			