

MODEL : LU-2810-6,2860-6 (Vベルト仕様)

List No : 1652-00

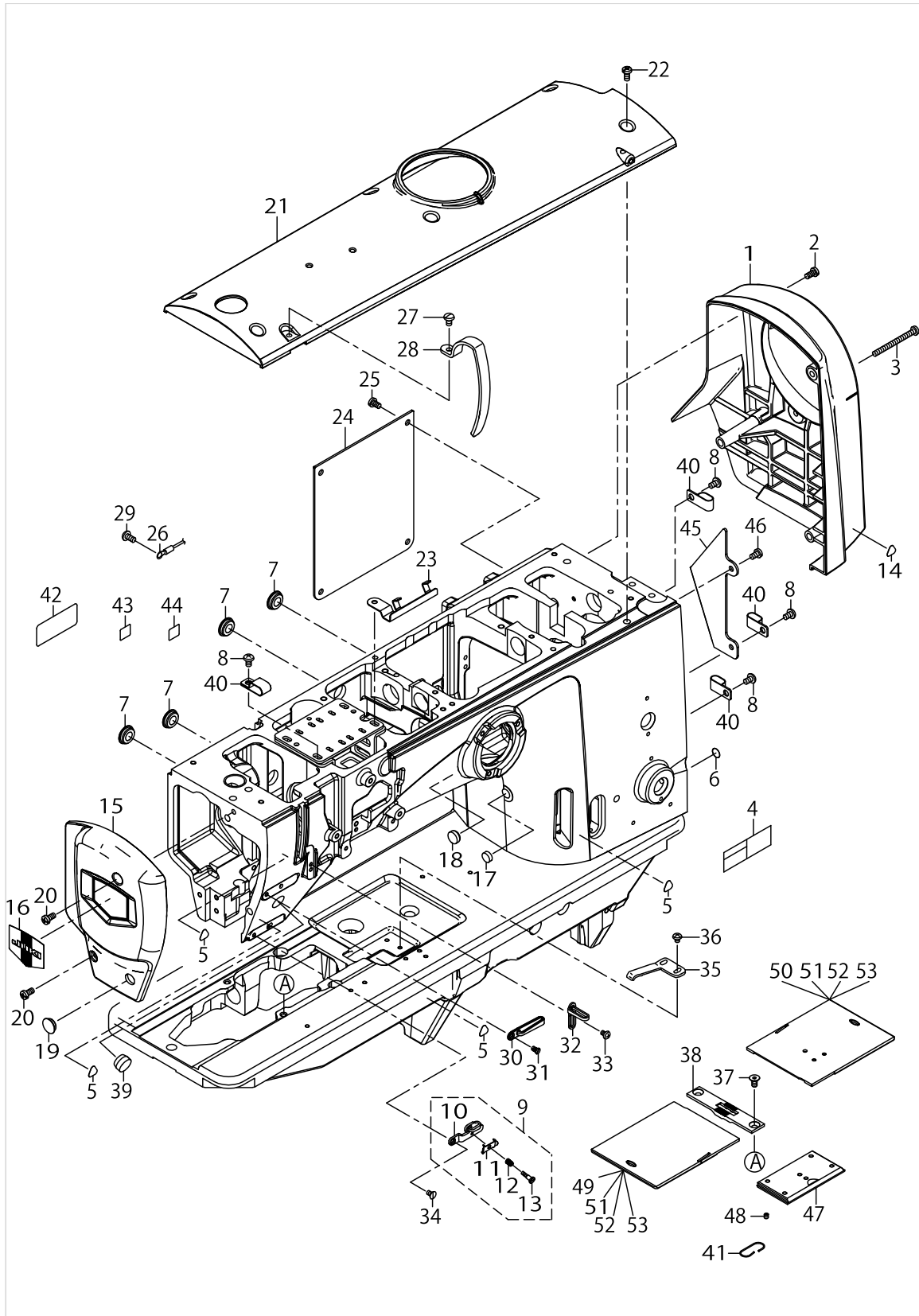
PARTS LIST

Published:05/12/2017

CONTENTS

FRAME & MISCELLANEOUS COVER COMPONENTS	1
MAIN SHAFT & THREAD TAKE-UP LEVER COMPONENTS	5
AUTO BT COMPONENTS	7
6-RANGE SW COMPONENTS.....	9
SPEED ADJUST COMPONENTS	11
THREAD CUTTING COMPONENTS.....	13
TENSION RELEASE COMPONENTS	17
PNEUMATIC COMPONENTS	19
BOTTOM COVER & BELT COVER COMPONENTS.....	21
ACCESSORIES PARTS COMPONENTS	23
HOW TO MAKE USE OF THIS PARTS LIST	27

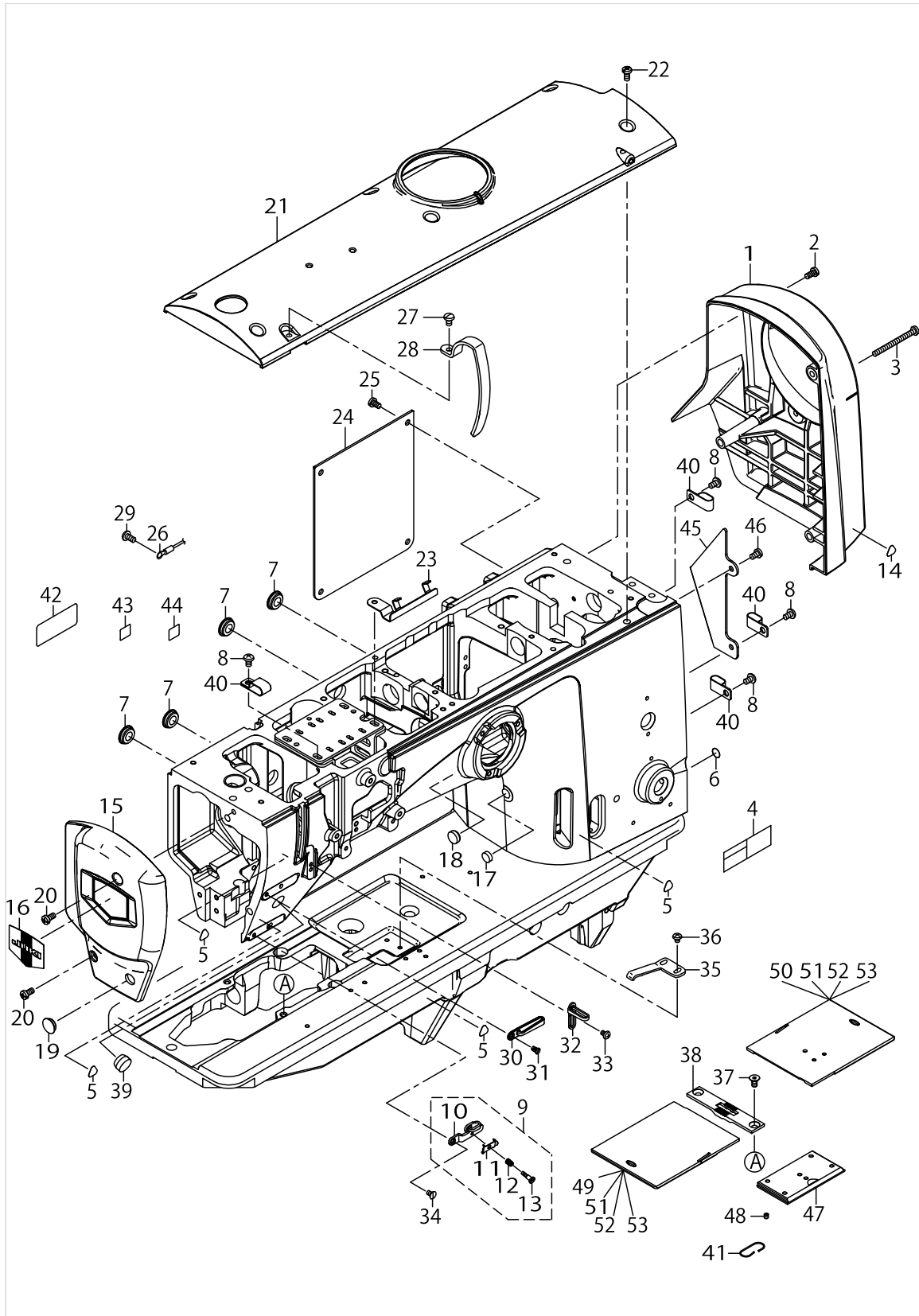
FRAME & MISCELLANEOUS COVER COMPONENTS



FRAME & MISCELLANEOUS COVER COMPONENTS

No.	Supply Code	Parts No.	Replacement	Parts name	Remarks	Choice	Step	Level	Cons	Qty	Rep. QTY
1		40142336		BELT COVER						1	
2		SM4051055SP		SCREW						2	
3		SM4055501SC		SCREW M5X0.8 L=55						2	
4		40102261		SAFETY_LABEL_S						1	
5		CM300200001		ATTENTION SEAL						4	
6		22901805		GROUND MARK						1	
7		TA1650406R0		PRUG						4	
8		SM4050855SP		SCREW						5	
9		40034675		THREAD_GUIDE_ASM_E						1	
10		40034674		THREAD_GUIDE				*		1	
11		40042716		THREAD_PRESSER_PLATE				*		1	
12		B1132521000		THREAD PRESSER PLATE SPRING				*		1	
13		SD0380556TL		SHOULDER SCREW D=3.8 H=5.5				*		1	
14		CM300200001		ATTENTION SEAL						5	
15		40130704		FACE_PLATE						1	
16		22902506		FACE PLATE						1	
17		TA1030402R0		RUBBER PLUG D=10.3 L=4						1	
18		TA1270502R0		RUBBER PLUG						1	
19		TA1250406R0		RUBBER PLUG D=12.5 L=4						1	
20		SM4051055SP		SCREW						2	
21		40130706		TOP_COVER						1	
22		SM4051055SP		SCREW						6	
23		40134805		CABLE HOLDER						1	
24		40130703		APERTURE_COVER						1	
25		SM4050855SP		SCREW						4	
26		40142052		FG CORD ASM						1	
27		SM4040855SP		SCREW						1	
28		23600505		THREAD TAKE-UP LEVER COVER						1	
29		SM4040855SP		SCREW						1	
30		40084142		THREAD_GUIDE_LOWER						1	
31		SM1040750TP		SCREW M4 L=7						1	
32		40126221		THREAD_GUIDE						1	
33		SM4040655SP		SCREW M4 L=6						1	
34		SM1040750TP		SCREW M4 L=7						1	
35		B1111563000		BED SLIDE SPRING						1	
36		SM4040655SP		SCREW M4 L=6						2	
37		SM1051052TN		PLATE SCREW M5 L=10						2	
38		40126349		THROAT_PLATE_2810						1	
39		TA1550902R0		PLUG						1	
40		D2112555B00		CORD HOLDER LARGE						7	
41		B111105100B		SPRING						1	
42	D	40094561		SEWING MACHINE LABEL (EU)						1	
43		CM600100101		WEEE MARK LABEL S						1	
44		40116677		GOST_SAFTY_LABEL_S						1	
45		40142057		BELT COVER B						1	
46		SM4050855SP		SCREW						2	

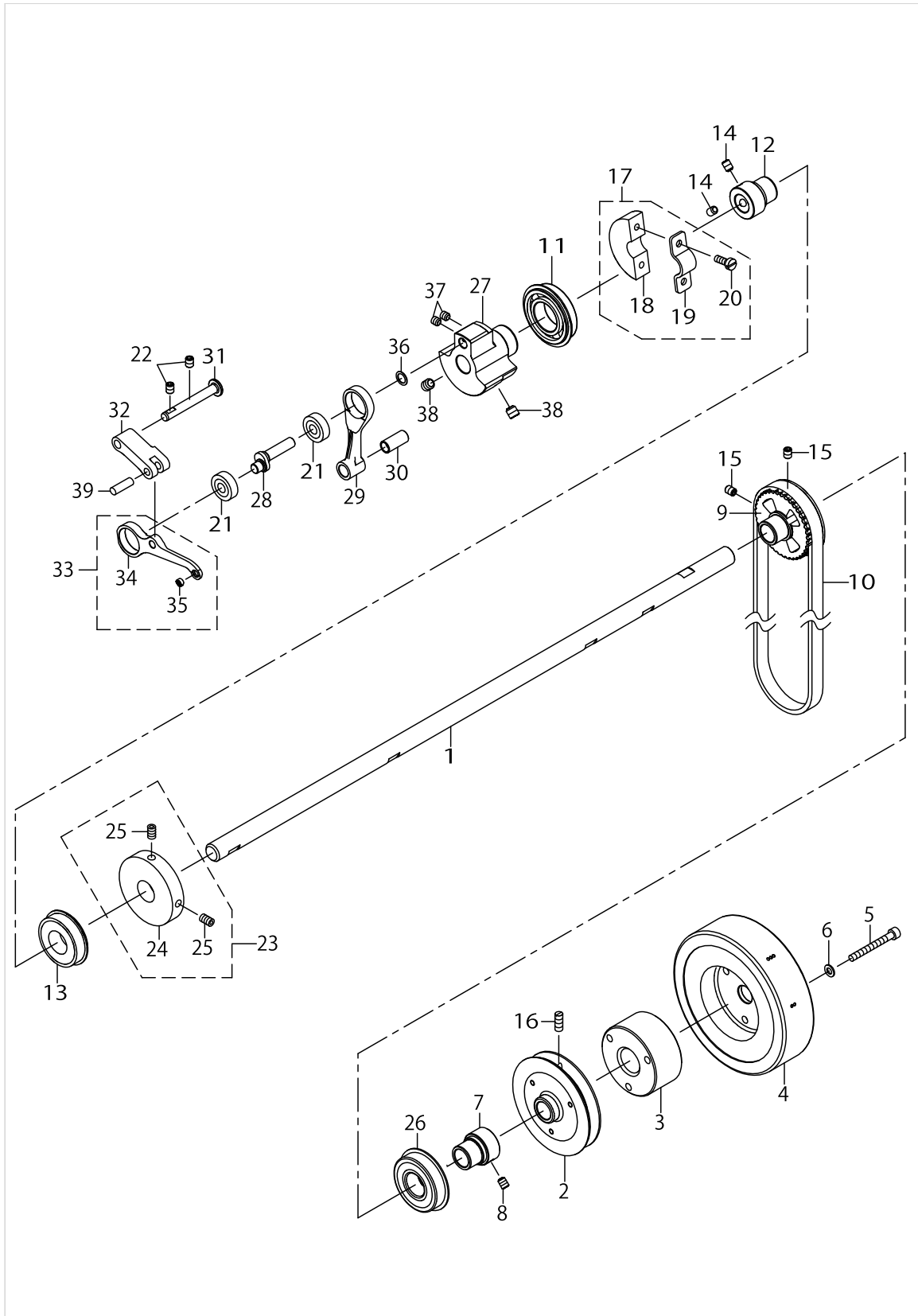
FRAME & MISCELLANEOUS COVER COMPONENTS



FRAME & MISCELLANEOUS COVER COMPONENTS

No.	Supply Code	Parts No.	Replacement	Parts name	Remarks	Choice	Step	Level	Cons	Qty	Rep. QTY
47		40112210		SLIDE_PLATE_FRONT						1	
48		SM8040412TP		SET SCREW M4 L=4						1	
49		40112224		SLIDE_PLATE_2810L	FOR LU-2810-6					1	
50		40112225		SLIDE_PLATE_2810R	FOR LU-2810-6					1	
51		40127056		SLIDE_PLATE_2860R	FOR LU-2-860-6 (TYPE S:1/4",-5/16",3/8") (TYPE A:6mm,8mm,10mm,12mm)					2	
52		40112225		SLIDE_PLATE_2810R	FOR LU-2-860-6 (TYPE S:1/8",-3/16") (TYPE A:4mm)					2	
53		40144416		SLIDE_PLATE_2860(14-18MM)	FOR LU-2-860-6(TYPE S:1/2")					2	

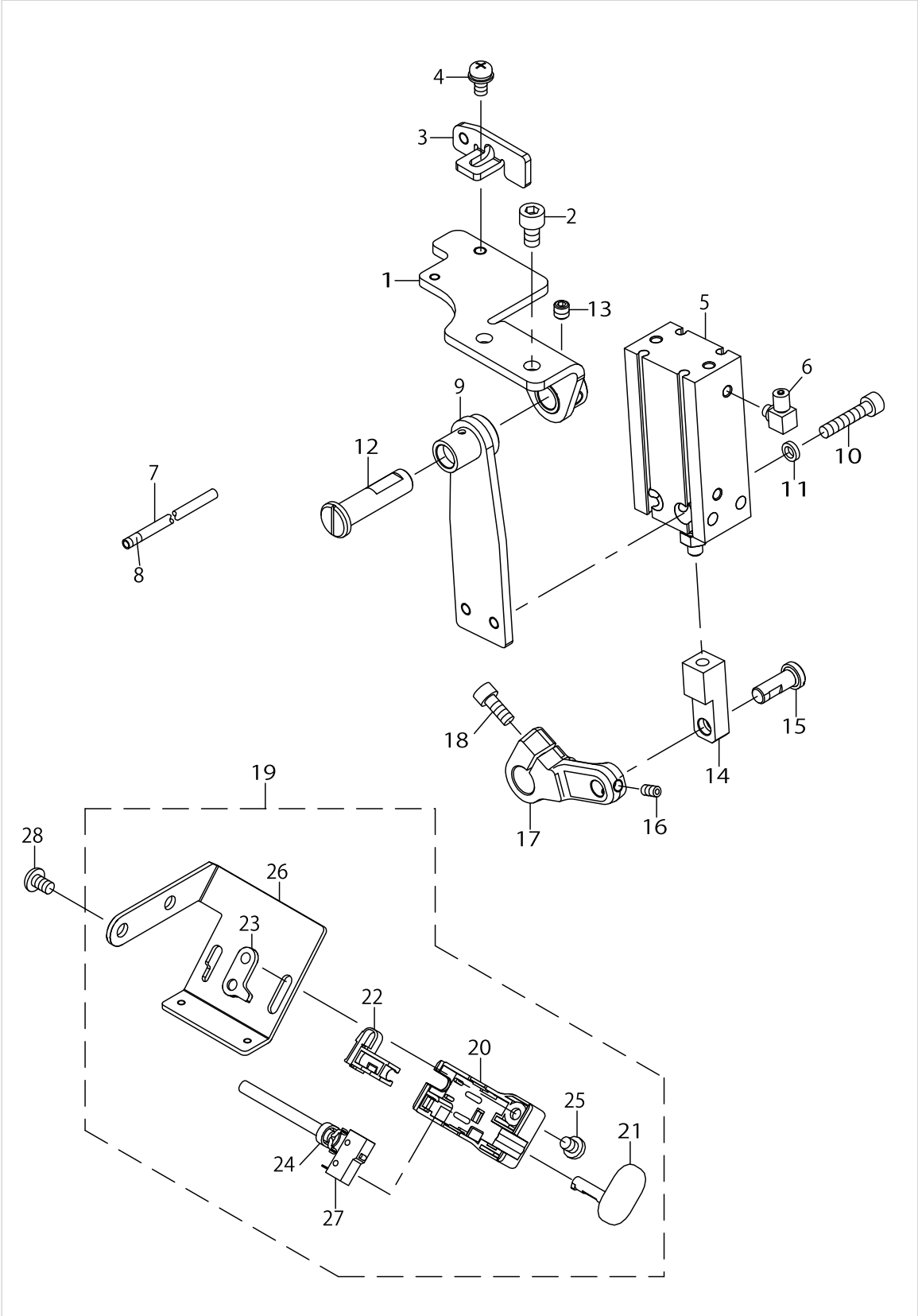
MAIN SHAFT & THREAD TAKE-UP LEVER COMPONENTS



MAIN SHAFT & THREAD TAKE-UP LEVER COMPONENTS

No.	Supply Code	Parts No.	Replacement	Parts name	Remarks	Choice	Step	Level	Cons	Qty	Rep. QTY
1		40139477		MAIN_SHAFT						1	
2		40139478		HAND_WHEEL_A						1	
3		40139480		HAND_WHEEL_WASHER						1	
4		40139479		HAND_WHEEL						1	
5		SM6054502TN		SCREW						3	
6		WP0531001SC		WASHER M5						3	
7		23605207		MAIN SHAFT BEARING						1	
8		SM80608A2TP		SCREW M6 L=8						2	
9		40126321		SPROCKET_UPPER						1	
10		40112274		TIMING_BELT						1	
11		B1203512000		BUSHING						1	
12		23605207		MAIN SHAFT BEARING SUPPORT						1	
13		SB120001800		BEARING						1	
14		SM80608A2TP		SCREW M6 L=8						2	
15		SM8060812TP		SCREW M6 L=8						2	
16		SS8151550SP		SCREW15/64-28L=15						2	
17		40010437		CRANK_BALANCER_ASM						1	
18	R	40010438	40010437	CRANK_BALANCER				*		1	1.00
19		40010439		CRANK_BALANCER_FIX_PLATE				*		1	
20		40010440		CRANK_BALANCER_FIX_PLATE_SCREW				*		2	
21		SB108001900		BEARING						2	
22		SM8060812TP		SCREW M6 L=8						2	
23		40010533		BTW_DRIVING_WHEEL_ASM						1	
24	R	40010534	40010533	BTW_DRIVING_WHEEL				*		1	1.00
25		40010535		DRIVING_WHEEL_SCREW				*		2	
26		SB120002700		BEARING						1	
27		40112091		COUNTER_WEIGHT						1	
28		40112092		NEEDLE_BAR_CRANK						1	
29		40112093		NEEDLE_BAR_CRANK_ROD						1	
30		40112094		CRANK_ROD_BUSH						1	
31		40011902		THREAD_TAKE_UP_CRANK_SHAFT						1	
32		40125930		TAKE_UP_LEVER_CRANK						1	
33		40127049		THREAD_TAKE_UP_ASM						1	
34		40125939		THREAD_TAKE_UP				*		1	
35		10546901		BUSH				*		1	
36		WP0820516SP		WASHER 11.6X8.2X0.6						1	
37		SM8060612TP		SCREW M6 L=6						2	
38		SM8080812TP		SCREW M8X8						2	
39		10721504		FEED ADJUSTING PIN						1	

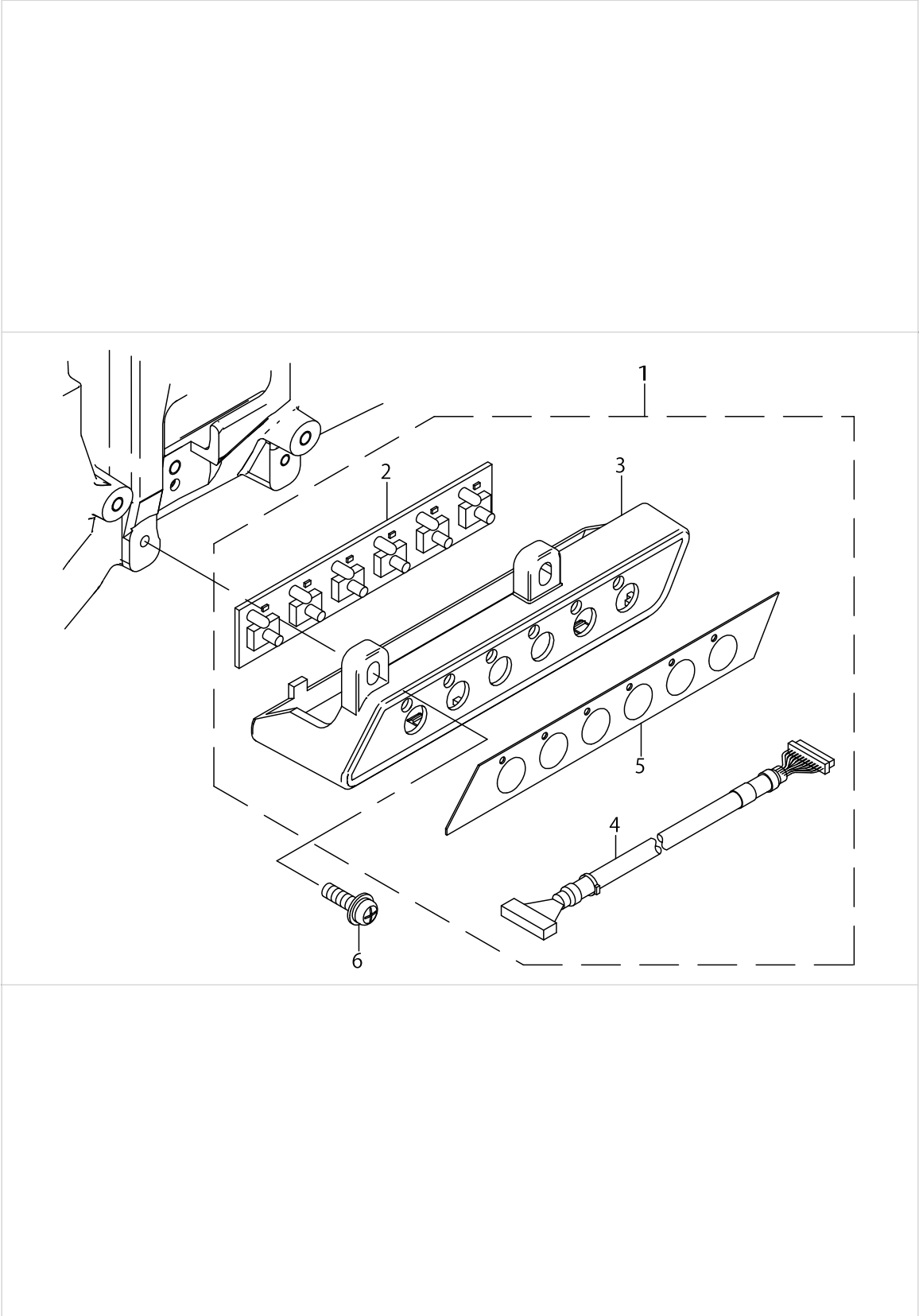
AUTO BT COMPONENTS



AUTO BT COMPONENTS

No.	Supply Code	Parts No.	Replacement	Parts name	Remarks	Choice	Step	Level	Cons	Qty	Rep. QTY
1		40142041		CYLINDER_BASE_ASM.						1	
2		SM6061002TP		SCREW M6 L=10						2	
3		40112228		MOTOR_COVER_FITTING_PLATE						1	
4		SL4051091SC		SCREW M5 L=10						1	
5		PA2004004A0		FREE MOUNT CYLINDER						1	
6		PJ046052503		HOSE ELBOW						1	
7		BT0400251EB		URETHANE TUBE BLACK 4X2.5						.9	
8		18035709		WIRE MARK (8)						1	
9		40142040		CYLINDER_FITTING_PLATE_ASM.						1	
10		SM6052502TN		SCREW						2	
11		13441001		SPACER_2						2	
12		40006716		THREAD_TRIMMER_SHAFT						1	
13		SM8060612TP		SCREW M6 L=6						2	
14		40139485		FEED_ADJUSTING_LINK_ROD						1	
15		40139486		FEED_ADJUSTING_LINK_SHAFT						1	
16		SM8050612TP		SCREW M5X6						2	
17		40131592		FEED_ADJUSTING_LINK_ARM						1	
18		SM6051202TP		SCREW M5X0.8 L=12						1	
19		40142048		TB_SW_ASSY						1	
20		23631708		REVERSE FEED SWITCH COVER				*		1	
21		23631807		REVERSE FEED SWITCH SHAFT				*		1	
22		23631906		REVERSE FEED SWITCH SUPPORT				*		1	
23		23632102		REVERSE FEED SWITCH BASE GUIDE				*		1	
24		EA9500B0100		CABLE BAND				*		1	
25		SS7110740TP		SCREW 11/64-40 L=7				*		1	
26		40112213		TB_SW_MOUNTING_PLATE				*		1	
27		40142049		REVERSE_FEED_CORD_ASM				*		1	
28		SM4050855SP		SCREW						2	

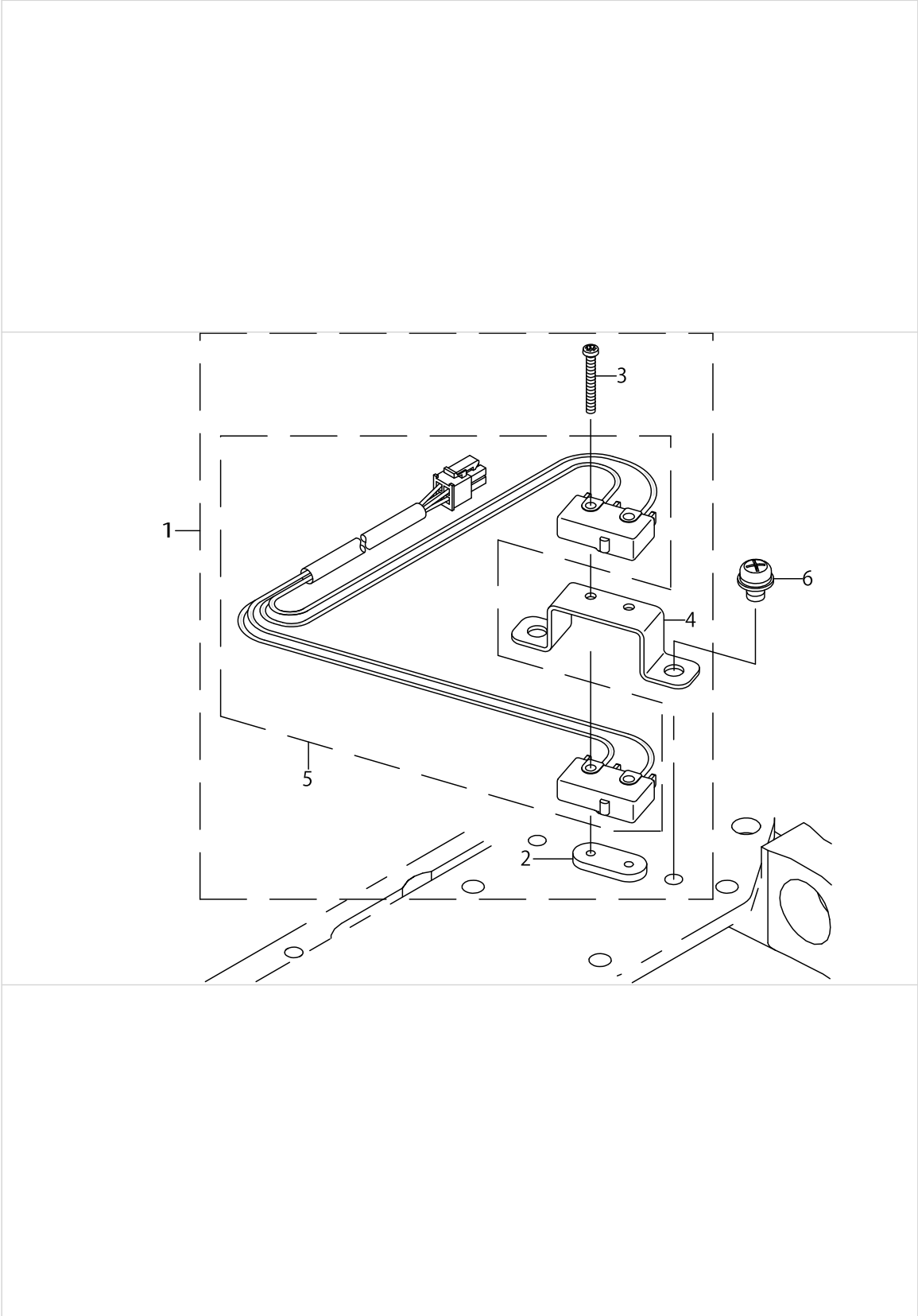
6-RANGE SW COMPONENTS



6-RANGE SW COMPONENTS

No.	Supply Code	Parts No.	Replacement	Parts name	Remarks	Choice	Step	Level	Cons	Qty	Rep. QTY
1		40142064		6RANGE SWITCH ASM						1	
2		40105510		6RANGE SWITCH PCB ASSY				*		1	
3	R	40112215	40105508	6RANGE_SWITCH_COVER		A	LU2800	*		1	1.00
3	R	40112215	40130287	6RANGE_SWITCH_COVER		B	PLC2700	*		1	1.00
4		40142054		6RANGE SWITCH CABLE ASM				*		1	
5		40112216		PANEL SHEET				*		1	
6		SL4041491SC		SCREW M4 L=14						2	

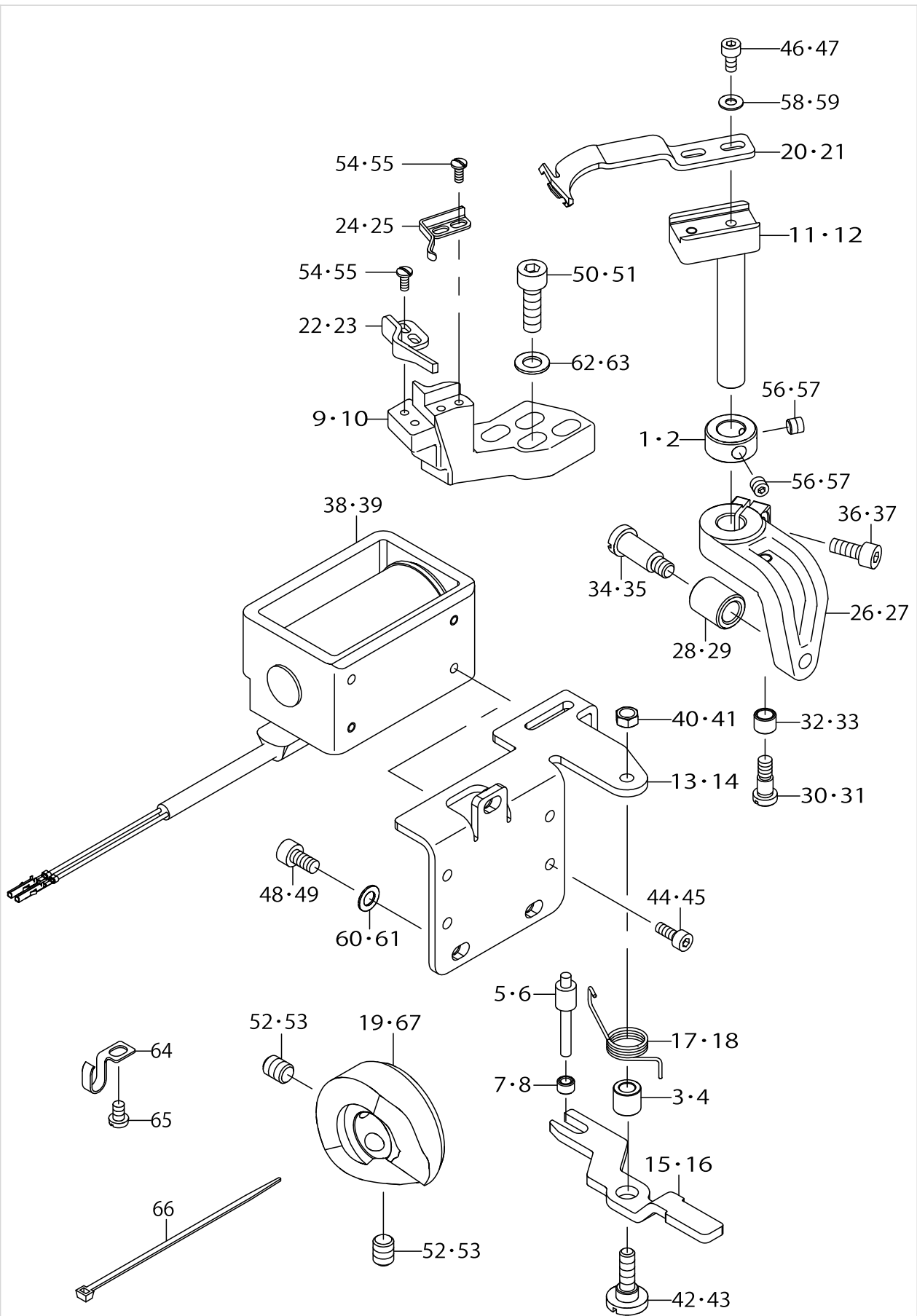
SPEED ADJUST COMPONENTS



SPEED ADJUST COMPONENTS

No.	Supply Code	Parts No.	Replacement	Parts name	Remarks	Choice	Step	Level	Cons	Qty	Rep. QTY
1		40142065		VERTICAL_DETECT-OR_SWITCH_ASM						1	
2	R	23638406	23638059	SAFETY SWITCH NUT				*		1	1.00
3	D	SM4021601SN		SCREW M2 L=16				*		2	
4		40126259		SENSOR_BRACKET				*		1	
5		40142053		SPEED CONTRL CORD ASM				*		1	
6		SL4040691SC		SCREW M4 L=6						2	

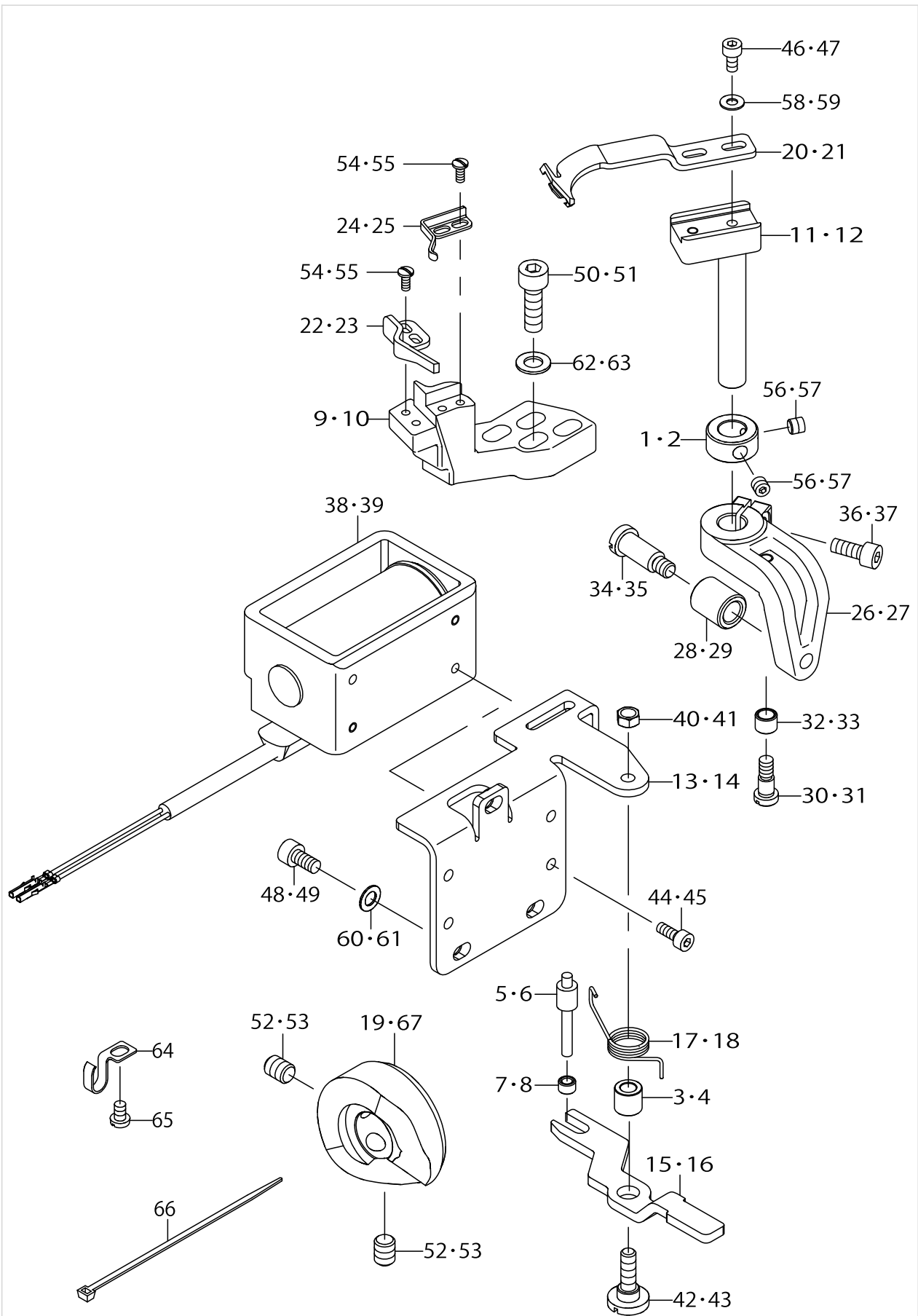
THREAD CUTTING COMPONENTS



THREAD CUTTING COMPONENTS

No.	Supply Code	Parts No.	Replacement	Parts name	Remarks	Choice	Step	Level	Cons	Qty	Rep. QTY
1		22917009		THRUST COLLAR	FOR LU-2810-6					1	
2		22917009		THRUST COLLAR	FOR LU-2860-6					2	
3		22956205		WIPER HINGE SCREW COLLAR	FOR LU-2810-6					1	
4		22956205		WIPER HINGE SCREW COLLAR	FOR LU-2860-6					2	
5		22957104		WIPER SOLENOID SHAFT	FOR LU-2810-6					1	
6		22957104		WIPER SOLENOID SHAFT	FOR LU-2860-6					2	
7		22957203		WIPER LINK COLLAR	FOR LU-2810-6					1	
8		22957203		WIPER LINK COLLAR	FOR LU-2860-6					2	
9		40125879		FIXED_KNIFE_BASE	FOR LU-2810-6					1	
10		40125879		FIXED_KNIFE_BASE	FOR LU-2860-6					2	
11		40112230		MOVING_KNIFE_SHAFT	FOR LU-2810-6					1	
12		40112230		MOVING_KNIFE_SHAFT	FOR LU-2860-6					2	
13		40112233		THREAD_TRIMMER_SOL_BASE_PLATE	FOR LU-2810-6					1	
14		40112233		THREAD_TRIMMER_SOL_BASE_PLATE	FOR LU-2860-6					2	
15		40112234		KNIFE_DRIVING_ARM_LINK	FOR LU-2810-6					1	
16		40112234		KNIFE_DRIVING_ARM_LINK	FOR LU-2860-6					2	
17		40112235		DRIVING_ARM_RETURN_SPRING	FOR LU-2810-6					1	
18		40112235		DRIVING_ARM_RETURN_SPRING	FOR LU-2860-6					2	
19		40112278		THREAD_TRIMMER_CAM_R						1	
20		21389200		MOVING KNIFE	FOR LU-2810-6					1	
21		40132434		MOVING KNIFE	FOR LU-2860-6					2	
22		21389309		FIXED KNIFE	FOR LU-2810-6					1	
23		21389309		FIXED KNIFE	FOR LU-2860-6					2	
24		21389408		CLAMP SPRING	FOR LU-2810-6					1	
25		21389408		CLAMP SPRING	FOR LU-2860-6					2	
26		40123248		MOVING_KNIFE_DRIVING_ARM	FOR LU-2810-6					1	
27		40123248		MOVING_KNIFE_DRIVING_ARM	FOR LU-2860-6					2	
28		40112232		THREAD_TRIMMER_CAM_ROLLER	FOR LU-2810-6					1	
29		40112232		THREAD_TRIMMER_CAM_ROLLER	FOR LU-2860-6					2	
30		SD0460576TP		SHOULDER SCREW D=4.6 H=5.7	FOR LU-2810-6					1	
31		SD0460576TP		SHOULDER SCREW D=4.6 H=5.7	FOR LU-2860-6					2	
32		B2508047000		BLOCK ROLLER	FOR LU-2810-6					1	
33		B2508047000		BLOCK ROLLER	FOR LU-2860-6					2	
34		SD0651301TH		HINGE SCREW D=6.5 H=13	FOR LU-2810-6					1	
35		SD0651301TH		HINGE SCREW D=6.5 H=13	FOR LU-2860-6					2	
36		SM6041002TP		SCREW M4 L=10	FOR LU-2810-6					1	
37		SM6041002TP		SCREW M4 L=10	FOR LU-2860-6					2	
38		40142050		THREAD_TRIMMER_SOLENOID	FOR LU-2810-6					1	
39		40142050		THREAD_TRIMMER_SOLENOID	FOR LU-2860-6					2	
40		NS6110310SP		NUT 11/64-40	FOR LU-2810-6					1	
41		NS6110310SP		NUT 11/64-40	FOR LU-2860-6					2	
42		SD0650321TP		HINGE SCREW D=6.5 H=3.2	FOR LU-2810-6					1	
43		SD0650321TP		HINGE SCREW D=6.5 H=3.2	FOR LU-2860-6					2	
44		SM6030602TP		SCREW M3X0.5 L=6	FOR LU-2810-6					4	
45		SM6030602TP		SCREW M3X0.5 L=6	FOR LU-2860-6					8	

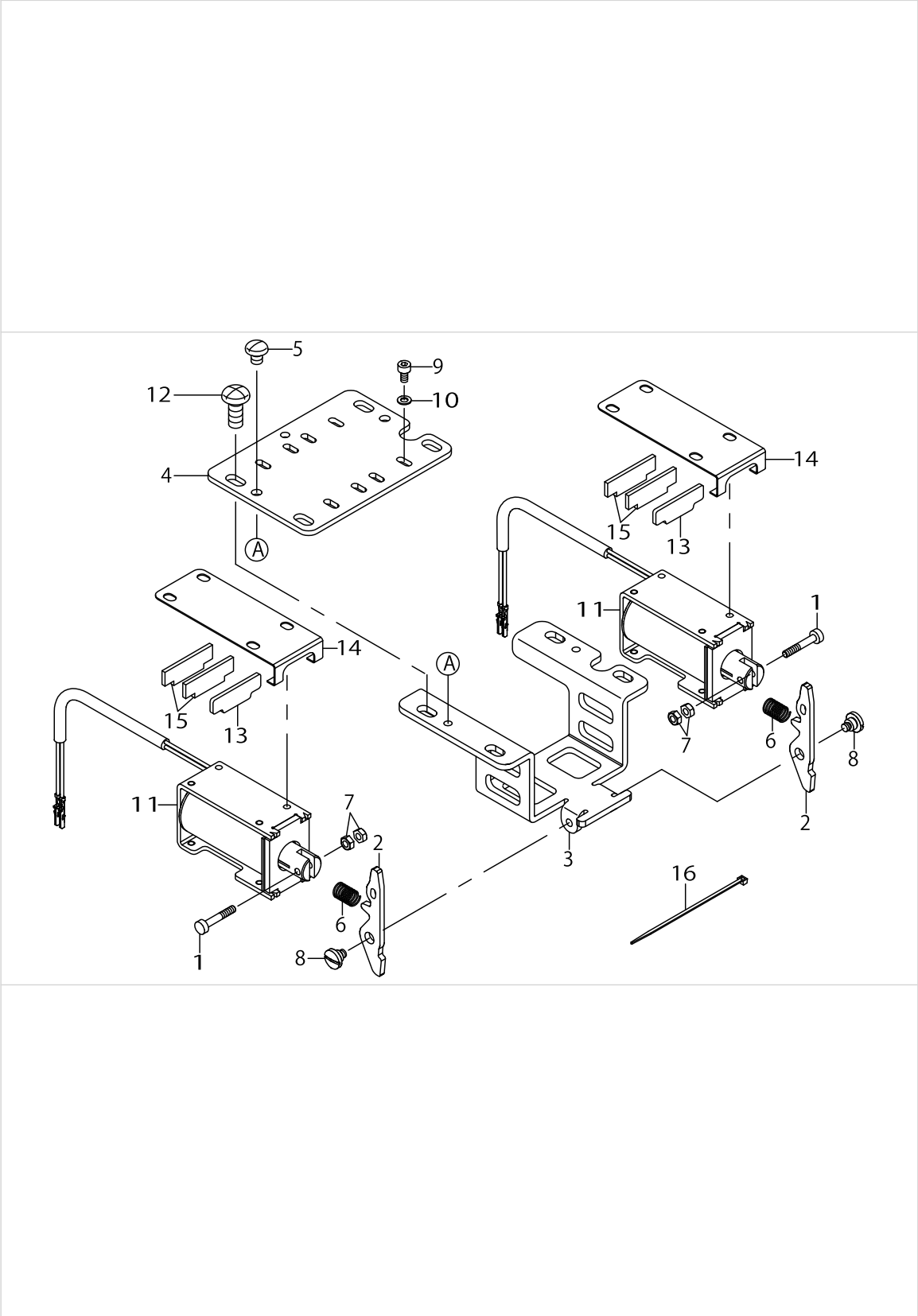
THREAD CUTTING COMPONENTS



THREAD CUTTING COMPONENTS

No.	Supply Code	Parts No.	Replacement	Parts name	Remarks	Choice	Step	Level	Cons	Qty	Rep. QTY
46		SM6030602TP		SCREW M3X0.5 L=6	FOR LU-2810-6					2	
47		SM6030602TP		SCREW M3X0.5 L=6	FOR LU-2860-6					4	
48		SM6040802TP		SCREW M4X0.7 L=8	FOR LU-2810-6					3	
49		SM6040802TP		SCREW M4X0.7 L=8	FOR LU-2860-6					6	
50		SM6051602TP		SCREW M5X0.8 L=16	FOR LU-2810-6					2	
51		SM6051602TP		SCREW M5X0.8 L=16	FOR LU-2860-6					4	
52		SM8060812TP		SCREW M6 L=8	FOR LU-2810-6					2	
53		SM8060812TP		SCREW M6 L=8	FOR LU-2860-6					4	
54		SS7060610SP		SCREW 3/32-56 L=5.5	FOR LU-2810-6					4	
55		SS7060610SP		SCREW 3/32-56 L=5.5	FOR LU-2860-6					8	
56		SS8110422TP		SCREW 11/64-40 L=4	FOR LU-2810-6					2	
57		SS8110422TP		SCREW 11/64-40 L=4	FOR LU-2860-6					4	
58		WP0320501SC		WASHER M3	FOR LU-2810-6					2	
59		WP0320501SC		WASHER M3	FOR LU-2860-6					4	
60		WP0450000SD		WASHER 4.5X8X0.5	FOR LU-2810-6					3	
61		WP0450000SD		WASHER 4.5X8X0.5	FOR LU-2860-6					6	
62		WP0550800SP		WASHER 5.5X10X0.8	FOR LU-2810-6					2	
63		WP0550800SP		WASHER 5.5X10X0.8	FOR LU-2860-6					4	
64		26231902		OIL WICK PIPE STOPPER						1	
65		SM4040655SP		SCREW M4 L=6						1	
66		EA9500B0100		CABLE BAND						1	
67		40126546		THREAD_TRIMMER_CAM_LEFT	FOR LU-2860-6					1	

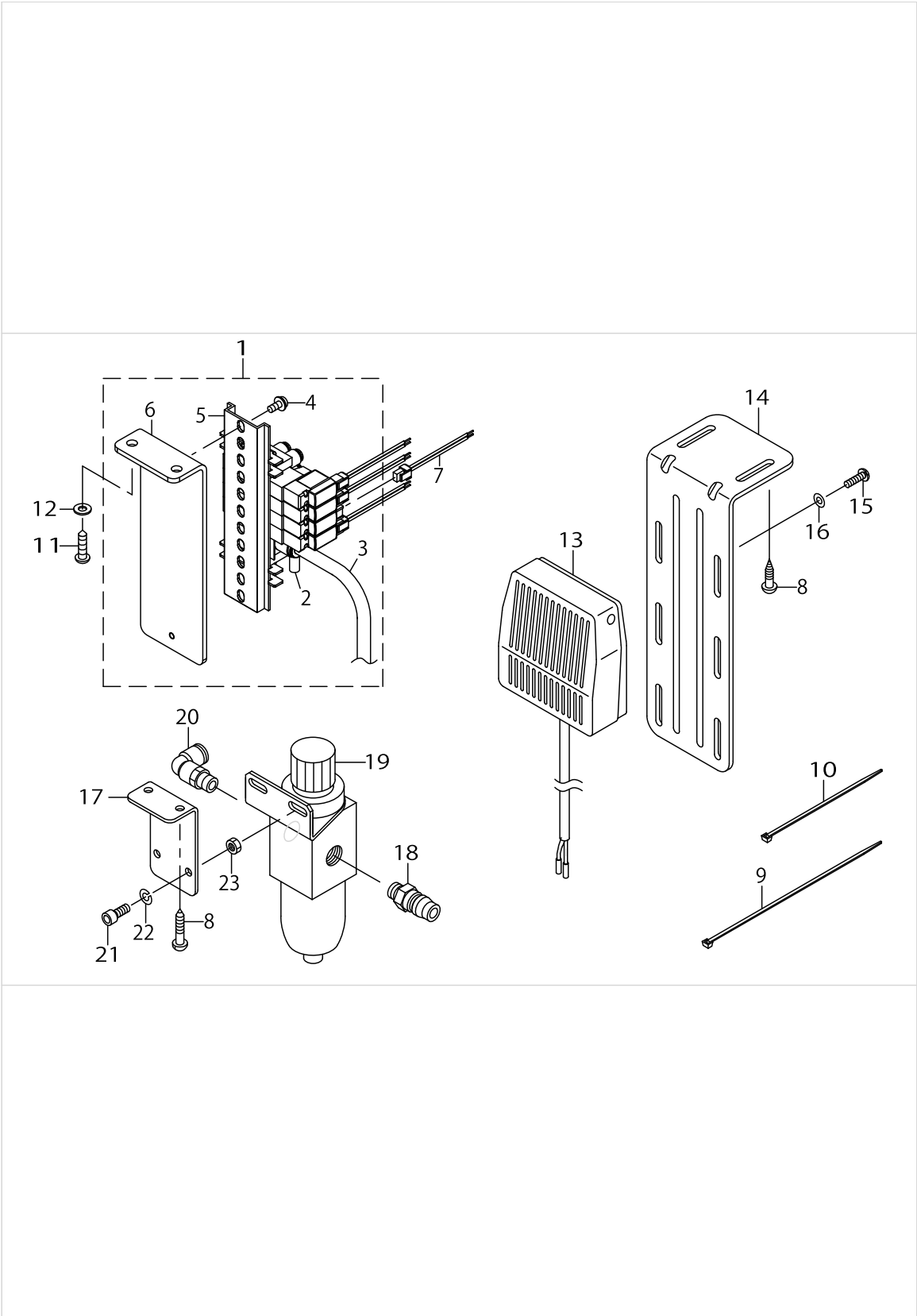
TENSION RELEASE COMPONENTS



TENSION RELEASE COMPONENTS

No.	Supply Code	Parts No.	Replacement	Parts name	Remarks	Choice	Step	Level	Cons	Qty	Rep. QTY
1		23542418		CLUTCH LINK PIN						2	
2		40125948		RELEASE_SOLENOID_LINK						2	
3		40126263		SOLENOID_LINK_MOUNTING_PLATE						1	
4		40125949		RELEASE_SOLENOID_BASE						1	
5		SS4090515SP		SCREW 9/64-40 L=5						2	
6		32055501		AT (UPPER) SPRING						2	
7		NM6030001SC		NUT M3X0.5 TYPE1						4	
8		SD0550271TP		HINGE SCREW D=5.50 H=2.7						2	
9		SM6030602TP		SCREW M3X0.5 L=6						8	
10	R	WP0320501SE	WP0320501SC	WASHER 3.2X7.0X0.5						8	1.00
11		40142051		TENSION_RELEASE_SOLENOID						2	
12		SM4051255SP		SCREW M5 L=12						4	
13		40126563		STOPPER_PLATE						2	
14		40126562		RUBBER HOLDER						2	
15		40086679		WIPER_STOPPER_RUBBER						4	
16		EA9500B0100		CABLE BAND						1	

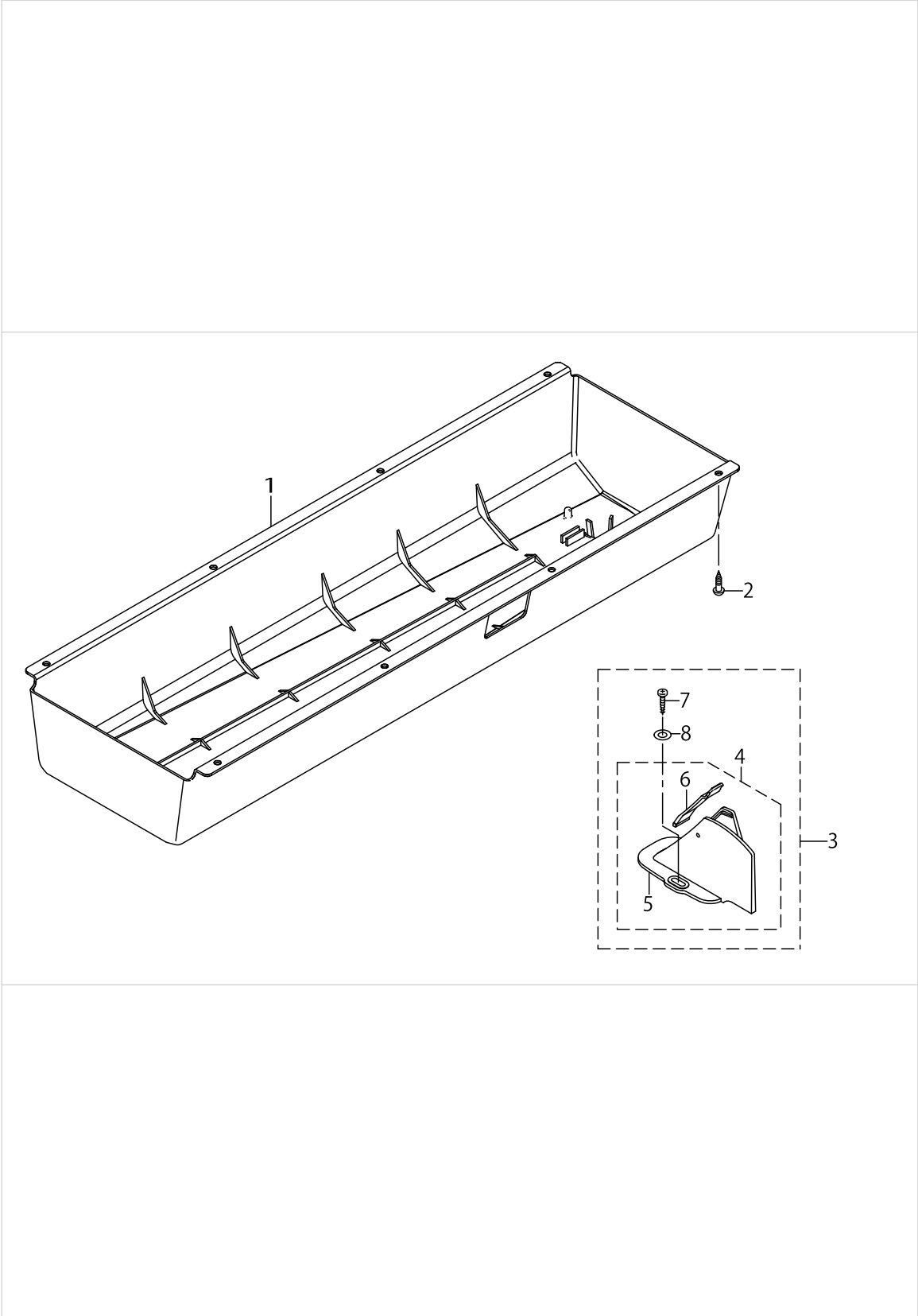
PNEUMATIC COMPONENTS



PNEUMATIC COMPONENTS

No.	Supply Code	Parts No.	Replacement	Parts name	Remarks	Choice	Step	Level	Cons	Qty	Rep. QTY
1		40142056		SOLENOID_VALVE_- FITTING_BASE_ASM						1	
2		BT0600401EB		URETHANE TUBE BLACK 6X4				*		1.1	
3		BT0800501EB		URETHANE TUBE BLACK 8X5				*		1.1	
4		SL4041091SC		SCREW M4 L=10				*		2	
5		40126545		SOLENOID_VALVE_ASSY				*		1	
6		40030950		SOLENOID_VALVE_FITTING_BASE				*		1	
7		40126128		SOLENOID VALVE CABLE ASM						1	
8		SK3482001SE		WOOD SCREW D=4.8 L=20						4	
9		EA9500B0200		CABLE BAND						3	
10		EA9500B0100		CABLE BAND						2	
11		SK3512001SE		WOOD SCREW D=5.1 L=20						2	
12		WP0501016SD		WASHER 5X10.5X1						2	
13		40105518		KNEE SW ASM						1	
14		40126266		KNEE_SWITCH_BASE_PLATE						1	
15		ST4041451SN		SCREW						2	
16		WP0430801SC		WASHER M4						2	
17		13860408		REGULATOR BRACKET						1	
18		PJ025100003		PLUG						1	
19		PF055107000		FILTER REGULATOR						1	
20		PJ304065101		ELBOW UNION 6XPT1/8						1	
21		SM6051202TP		SCREW M5X0.8 L=12						2	
22		WS0510002KN		SPRING WASHER M5						2	
23		NM6050001SP		NUT M5X0.8 TYPE1						2	

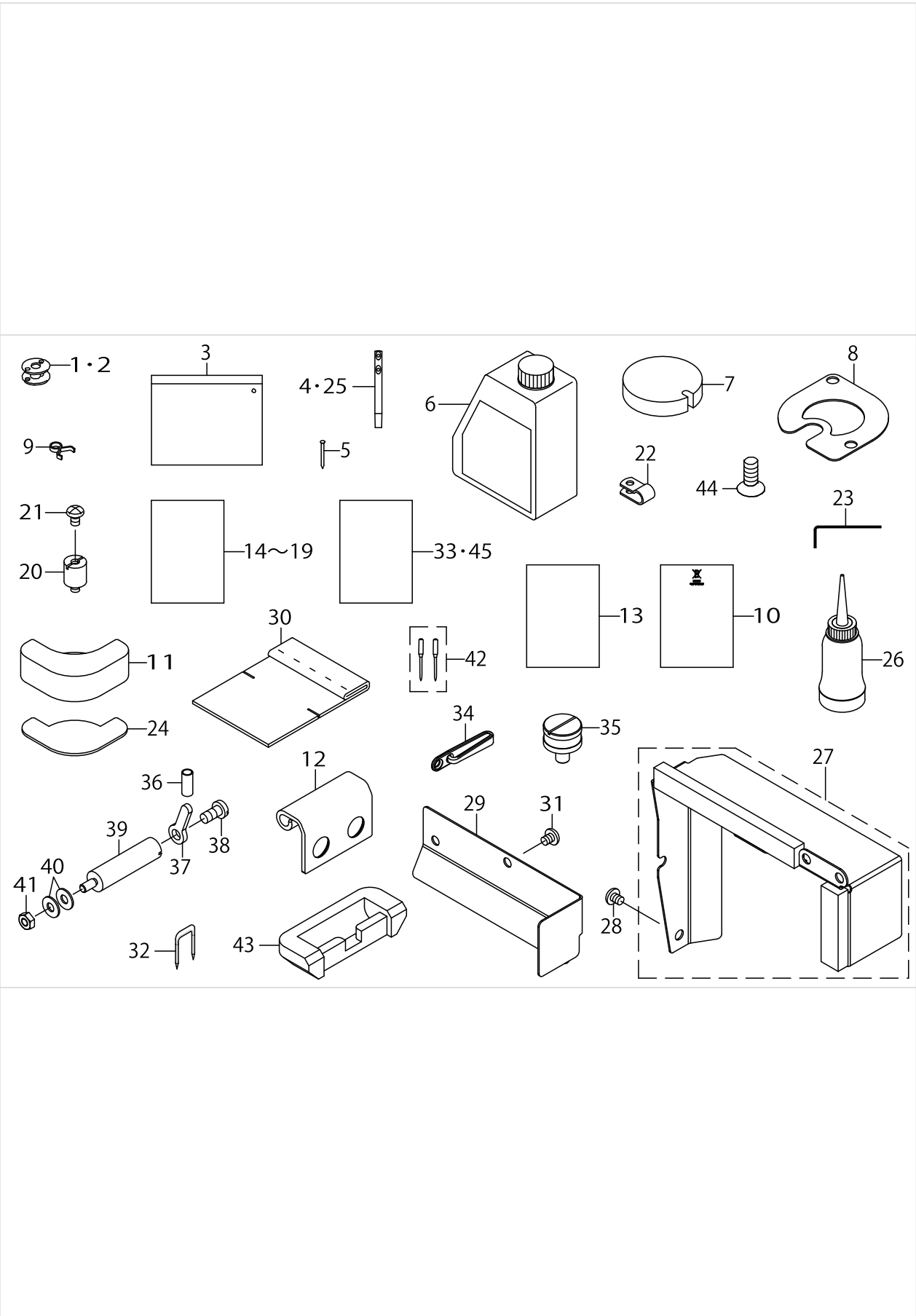
BOTTOM COVER & BELT COVER COMPONENTS



BOTTOM COVER & BELT COVER COMPONENTS

No.	Supply Code	Parts No.	Replacement	Parts name	Remarks	Choice	Step	Level	Cons	Qty	Rep. QTY
1		40126155		OIL_PAN						1	
2		SK3482001SE		WOOD SCREW D=4.8 L=20						8	
3		40126560		ASSY_BELT_COVER_B2						1	
4		40112296		BELT_COVER_B_COMPL.				*		1	
5		40112314		BELT_COVER_B				*		1	
6		40112313		BELT_COVER_B_LID_ASM.				*		1	
7	R	SK3412000SC	SK3412000SE	WOOD SCREW D=4.1 L=20				*		2	1.00
8		WP0501016SD		WASHER 5X10.5X1				*		2	

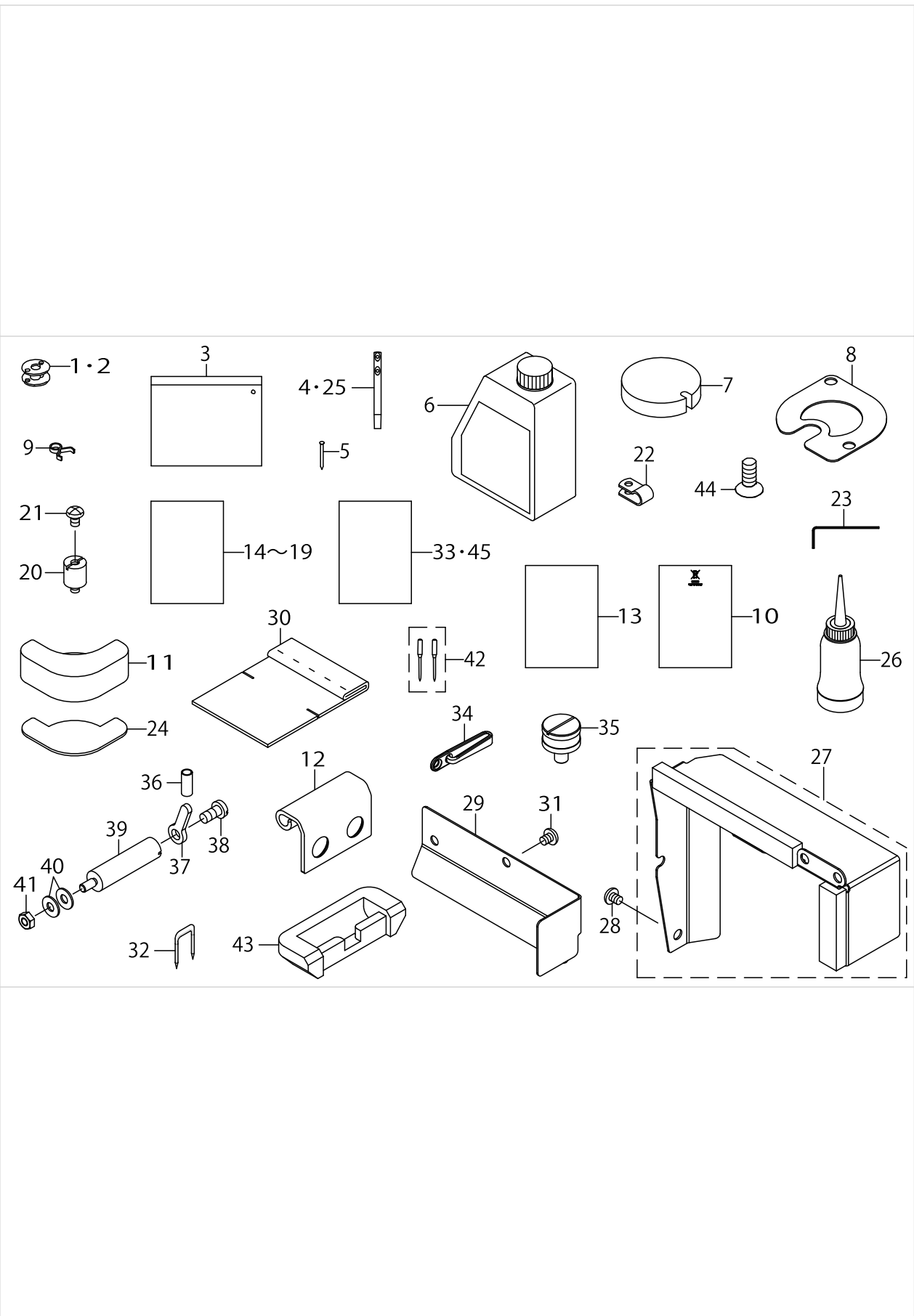
ACCESSORIES PARTS COMPONENTS



ACCESSORIES PARTS COMPONENTS

No.	Supply Code	Parts No.	Replacement	Parts name	Remarks	Choice	Step	Level	Cons	Qty	Rep. QTY
1		21334800		ALUMINUM BOBBIN WITH KNURL						1	
2		21334800		ALUMINUM BOBBIN WITH KNURL	FOR LU-2860-6					2	
3		21413158		ACCESSORY BAG ASM.						1	
4		22958300		NEEDLE THREAD GUIDE PIN	FOR LU-2810-6					1	
5	D	22926208		NAIL						16	
6	D R	40102087	MDFRX1600C0	JUKI_MACHINE_OIL_7						1	1.00
7		40126405		OIL_FILTER						1	
8		40126267		FELT HOLDER						1	
9		23629306		PIPE STOPPER A						2	
10		CM600100201		WEEE INFORMATION SHEET	FOR JE					1	
11		40126152		CUSHION_RUBBER						2	
12		40125869		HINGE						2	
13		40142430		DECLARATION OF INCORPORATION (LU2800)	FOR JE					1	
14		40112334		INSTRUCTION MANUAL 1K(CHINESE)	FOR CHINA					1	
15		40127057		INSTRUCTION MANUAL 4K	EXCEPT CHINA					1	
16		40130615		INSTRUCTION_MANUAL_9K	FOR JE					1	
17		40142058		INSTRUCTION_MANUAL(V_BELT)_4K	EXCEPT CHINA					1	
18		40142060		INSTRUCTION_MANUAL(V_BELT)_CHINESE	FOR CHINA					1	
19		40142059		INSTRUCTION_MANUAL(V_BELT)_9K	FOR JE					1	
20		40126222		CP_SPACER						2	
21		SM4050855SP		SCREW						2	
22		HX00150000B		CABLE CLIP						2	
23		40079298		WRENCH						1	
24		10740900		RUBBER	FOR LU-2860-6					3	
25		22958300		NEEDLE THREAD GUIDE PIN	FOR LU-2860-6					2	
26		B91210120A0		OILER ASM.						1	
27		40131916		OIL_SHIELD_PLATE_ASSY	FOR LU-2810-6					1	
28		SM4050655SP		SCREW M5 L=6	FOR LU-2810-6					4	
29		40131580		OIL_SHIELD_PLATE	FOR LU-2860-6					1	
30		40133730		OIL FILTER						1	
31		SM4050655SP		SCREW M5 L=6	FOR LU-2860-6					2	
32		MAO11532000		CORD STAPLE						3	
33		40126347		PARTS_LIST						1	
34		40084142		THREAD_GUIDE_LOWER						1	
35		22622401		SYNCRO FRNGE						1	
36		BT0630520Z0		INSULATED TUBE 6.3X5.2						.015	
37		40142036		SYNCHRONIZER_HOLD_PLATE						1	
38		SM4061255SP		SCREW M6 L=12						1	
39		40142037		SYNCHRONIZER_HOLD_STUD						1	
40		WP0551016SH		WASHER 5.5X13X1						2	
41		NM6050001SP		NUT M5X0.8 TYPE1						1	
42		M13517B1602		NEEDLE 135X17 #160-2						1	
43	R	22926000	22958052	RUBBER CUSHION						2	1.00
44		B1516210D00		SCREW						4	

ACCESSORIES PARTS COMPONENTS



ACCESSORIES PARTS COMPONENTS

No.	Supply Code	Parts No.	Replacement	Parts name	Remarks	Choice	Step	Level	Cons	Qty	Rep. QTY
45		40142061		PARTS_LIST(V_BELT)						1	

HOW TO MAKE USE OF THIS PARTS LIST

1.As to "#01" and "#02" refer to the "Note" given at the bottom of the respective pages.

2.Codes on the "Qty" column

- Each numeral indicates the number of parts required.
- "0.1" and "2.5" indicate the length (in meters) of the respective parts.

3.Parentheses mean that the corresponding part is a subpart that constructs an assembly part.

4.Dotted lines on the Figures indicate assembly parts.

1. リストページの# 0 1、# 0 2の印は、ページ下の"注記"の説明を参照下さい。
2. 数量欄の数字は、個数を表し、0. 1、2. 5等の数値は、長さ（単位メートル）を表します。
3. 数量欄の（ ）は、組部品を構成している子部品であることを意味します。
4. イラストページの-----枠は、組構成であることを意味します。

ALL PARTS NOT MENTIONED IN THIS PARTS LIST
ARE SAME AS THOSE OF MODEL LU-2800 SERIES.
LU-2800 SERIES(NO.1624 PART NO.40126347)

このパーツリスト記載以外の部品は、LU-2800シリーズと共通です。
LU-2800シリーズ（NO.1624 品番40126347）

NUMERICAL INDEX OF PARTS

PART NO	PAGE	REF NO.	PART NO	PAGE	REF NO.	PART NO	PAGE	REF NO.
10546901	6	35	40079298	24	23	40126263	18	3
10721504	6	39	40084142	2	30	40126266	20	14
10740900	24	24	40084142	24	34	40126267	24	8
13441001	8	11	40086679	18	15	40126321	6	9
13860408	20	17	40094561	2	42	40126347	24	33·45
18035709	8	8	40102087	24	6	40126349	2	38
21334800	24	1·2	40102261	2	4	40126405	24	7
21389200	14	20·21	40105510	10	2	40126545	20	5
21389309	14	22·23	40105518	20	13	40126546	16	19·67
21389408	14	24·25	40112091	6	27	40126560	22	3
21413158	24	3	40112092	6	28	40126562	18	14
22622401	24	35	40112093	6	29	40126563	18	13
22901805	2	6	40112094	6	30	40127049	6	33
22902506	2	16	40112210	4	47	40127056	4	51
22917009	14	1·2	40112213	8	26	40127057	24	14~19
22926000	24	43	40112215	10	3	40130615	24	14~19
22926208	24	5	40112216	10	5	40130703	2	24
22956205	14	3·4	40112224	4	49	40130704	2	15
22957104	14	5·6	40112225	4	52	40130706	2	21
22957203	14	7·8	40112228	8	3	40131580	24	29
22958300	24	4·25	40112230	14	11·12	40131592	8	17
23542418	18	1	40112232	14	28·29	40131916	24	27
23600505	2	28	40112233	14	13·14	40132434	14	20·21
23605207	6	12	40112234	14	15·16	40133730	24	30
23629306	24	9	40112235	14	17·18	40134805	2	23
23631708	8	20	40112274	6	10	40139477	6	1
23631807	8	21	40112278	14	19·67	40139478	6	2
23631906	8	22	40112296	22	4	40139479	6	4
23632102	8	23	40112313	22	6	40139480	6	3
23638406	12	2	40112314	22	5	40139485	8	14
26231902	16	64	40112334	24	14~19	40139486	8	15
32055501	18	6	40116677	2	44	40142036	24	37
40006716	8	12	40123248	14	26·27	40142037	24	39
40010437	6	17	40125869	24	12	40142040	8	9
40010438	6	18	40125879	14	9·10	40142041	8	1
40010439	6	19	40125930	6	32	40142048	8	19
40010440	6	20	40125939	6	34	40142049	8	27
40010533	6	23	40125948	18	2	40142050	14	38·39
40010534	6	24	40125949	18	4	40142051	18	11
40010535	6	25	40126128	20	7	40142052	2	26
40011902	6	31	40126152	24	11	40142053	12	5
40030950	20	6	40126155	22	1	40142054	10	4
40034674	2	10	40126221	2	32	40142056	20	1
40034675	2	9	40126222	24	20	40142057	2	45
40042716	2	11	40126259	12	4	40142058	24	14~19

NUMERICAL INDEX OF PARTS

PART NO	PAGE	REF NO.	PART NO	PAGE	REF NO.	PART NO	PAGE	REF NO.
40142059	24	14~19	SD0550271TP	18	8	SS7060610SP	16	54·55
40142060	24	14~19	SD0650321TP	14	42·43	SS7110740TP	8	25
40142061	26	33·45	SD0651301TH	14	34·35	SS8110422TP	16	56·57
40142064	10	1	SK3412000SC	22	7	SS8151550SP	6	16
40142065	12	1	SK3482001SE	20	8	ST4041451SN	20	15
40142336	2	1	SK3482001SE	22	2	TA1030402R0	2	17
40142430	24	13	SK3512001SE	20	11	TA1250406R0	2	19
40144416	4	53	SL4040691SC	12	6	TA1270502R0	2	18
B111105100B	2	41	SL4041091SC	20	4	TA1550902R0	2	39
B1111563000	2	35	SL4041491SC	10	6	TA1650406R0	2	7
B1132521000	2	12	SL4051091SC	8	4	WP0320501SC	16	58·59
B1203512000	6	11	SM1040750TP	2	34	WP0320501SE	18	10
B1516210D00	24	44	SM1051052TN	2	37	WP0430801SC	20	16
B2508047000	14	32·33	SM4021601SN	12	3	WP0450000SD	16	60·61
B91210120A0	24	26	SM4040655SP	2	36	WP0501016SD	20	12
BT0400251EB	8	7	SM4040655SP	16	65	WP0501016SD	22	8
BT0600401EB	20	2	SM4040855SP	2	29	WP0531001SC	6	6
BT0630520Z0	24	36	SM4050655SP	24	31	WP0550800SP	16	62·63
BT0800501EB	20	3	SM4050855SP	2	46	WP0551016SH	24	40
CM300200001	2	14	SM4050855SP	8	28	WP0820516SP	6	36
CM600100101	2	43	SM4050855SP	24	21	WS0510002KN	20	22
CM600100201	24	10	SM4051055SP	2	22			
D2112555B00	2	40	SM4051255SP	18	12			
EA9500B0100	8	24	SM4055501SC	2	3			
EA9500B0100	16	66	SM4061255SP	24	38			
EA9500B0100	18	16	SM6030602TP	14	46·47			
EA9500B0100	20	10	SM6030602TP	16	46·47			
EA9500B0200	20	9	SM6030602TP	18	9			
HX00150000B	24	22	SM6040802TP	16	48·49			
M13517B1602	24	42	SM6041002TP	14	36·37			
MAO11532000	24	32	SM6051202TP	8	18			
NM6030001SC	18	7	SM6051202TP	20	21			
NM6050001SP	20	23	SM6051602TP	16	50·51			
NM6050001SP	24	41	SM6052502TN	8	10			
NS6110310SP	14	40·41	SM6054502TN	6	5			
PA2004004A0	8	5	SM6061002TP	8	2			
PF055107000	20	19	SM8040412TP	4	48			
PJ025100003	20	18	SM8050612TP	8	16			
PJ046052503	8	6	SM8060612TP	6	37			
PJ304065101	20	20	SM8060612TP	8	13			
SB108001900	6	21	SM8060812TP	6	22			
SB120001800	6	13	SM8060812TP	16	52·53			
SB120002700	6	26	SM80608A2TP	6	14			
SD0380556TL	2	13	SM8080812TP	6	38			
SD0460576TP	14	30·31	SS4090515SP	18	5			