

MODEL : DU-1281-7

List No : 1654-00

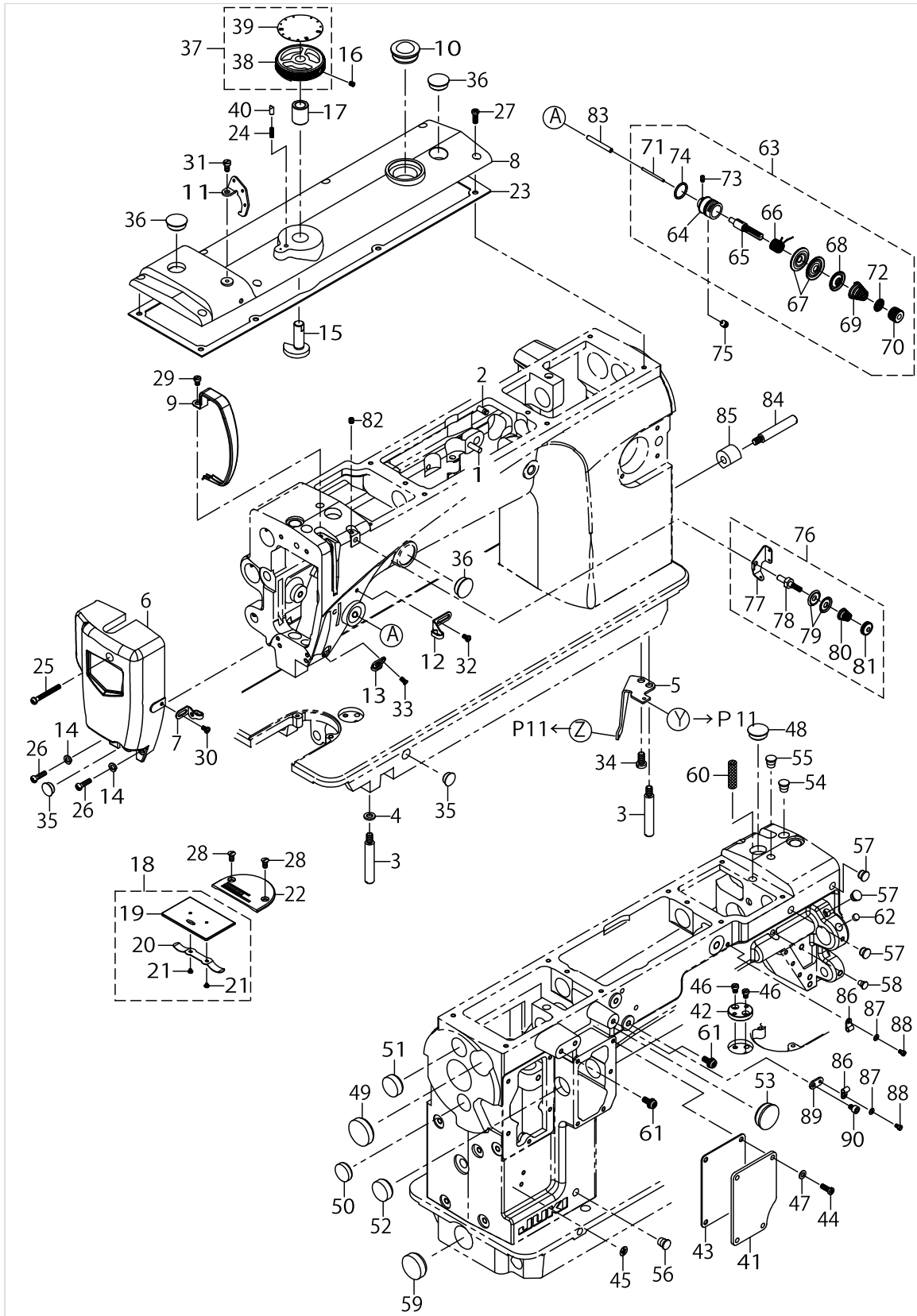
PARTS LIST

Published:05/12/2017

CONTENTS

FRAME & MISCELLANEOUS COVER COMPONENTS	1
MAIN SHAFT & UPRIGHT SHAFT COMPONENTS	5
NEEDLE BAR & THREAD TAKE-UP LEVER COMPONENTS	7
UPPER FEED MECHANISM COMPONENTS	9
PRESSURE BAR & KNEE LIFTER COMPONENTS	13
LOWER FEED MECHANISM COMPONENTS	15
FEED ADJUSTMENT MECHANISM COMPONENTS	17
HOOK DRIVE SHAFT COMPONENTS	21
THREAD TRIMMER COMPONENTS	23
OIL LUBRICATION MECHANISM COMPONENTS	27
ACCESSORIES COMPONENTS (1)	29
ACCESSORIES COMPONENTS (2)	31
HOW TO MAKE USE OF THIS PARTS LIST	33

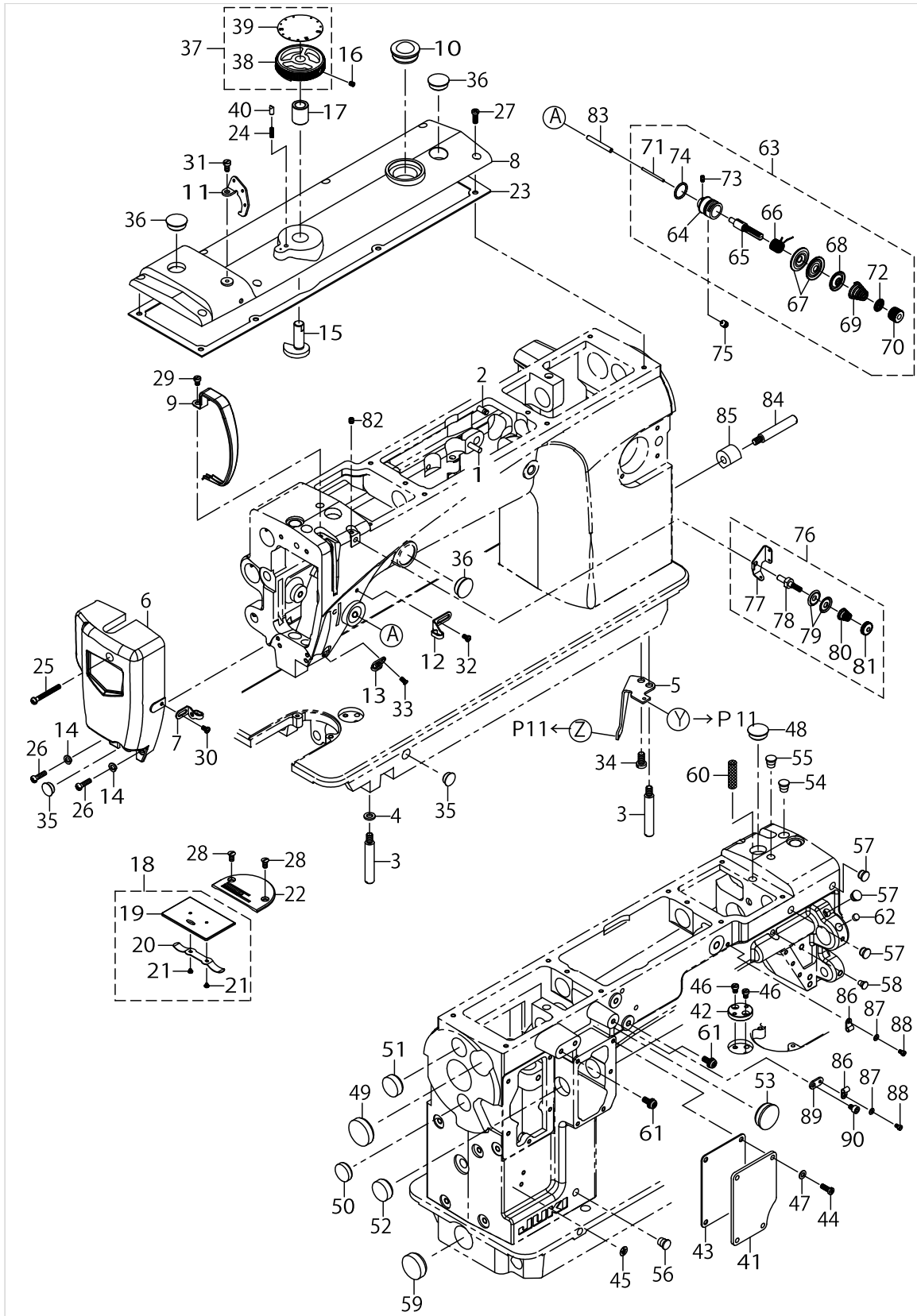
FRAME & MISCELLANEOUS COVER COMPONENTS



FRAME & MISCELLANEOUS COVER COMPONENTS

No.	Supply Code	Parts No.	Replacement	Parts name	Remarks	Choice	Step	Level	Cons	Qty	Rep. QTY
1		40148388		STOPPER PIN						1	
2		40148389		SPRINGSUSPENSION						1	
3		40148390		BED SCREW STUD						3	
4		40148391		SPRING LOCK WASHERS						2	
5		40148392		SPRINGSUSPENSION						1	
6		40148393		FACE PLATE						1	
7		40148394		THREAD GUIDE						1	
8		40148395		TOP COVER						1	
9		40148396		THREAD TAKE-UP LEVER COVER						1	
10		40148397		OIL SIGHT WINDOW						1	
11		40148398		THREAD GUIDE (UPPER)						1	
12		40148399		THREAD GUIDE (CENTER)						1	
13		40148433		THREAD GUIDE (LOWER)						1	
14		40148432		SPACER						2	
15		40148431		VERTICAL ADJUSTING CAM						1	
16		40148430		SCREW M4X0.7 L=5						1	
17		40148429		SPACER						1	
18		40148405		SLIDE PLATE ASM.						1	
19		40148406		SLIDE PLATE				*		1	
20		40148407		SLIDE PLATE SPRING				*		1	
21		40148408		SCREW 3/32-56 L=2.2				*		2	
22		40148409		THROAT PLATE						1	
23		40148410		PACKING						1	
24		40148428		SPRING						1	
25		40148412		SCREW M4X0.7 L=35						1	
26		40148413		SCREW M4X0.7 L=20						2	
27		40148414		SCREW 11/64-40 L=12						8	
28		40148415		SCREW 11/64-40 L=8.3						2	
29		40148416		SCREW 11/64-40 L=5.5						1	
30		40148417		SCREW 9/64-40 L=6						1	
31		40148418		SCREW 11/64-40 L=8						1	
32		40148417		SCREW 9/64-40 L=6						1	
33		40148420		SCREW 9/64-40 L=7.5						1	
34		40148421		SCREW 15/64-28 L=12						1	
35		40148422		RUBBER PLUG						2	
36		40148423		RUBBER PLUG						3	
37		40148424		DIAL ASM.						1	
38		40148425		DIAL				*		1	
39		40148426		DIAL PLATE				*		1	
40		40148427		STOPPER PIN						1	
41		40148451		SIDE COVER						1	
42		40148452		SCALE BASE PLATE						1	
43		40148453		PACKING						1	
44		40148414		SCREW 11/64-40 L=12						4	
45		40148455		GRAND MARK						1	
46		40148416		SCREW 11/64-40 L=5.5						4	

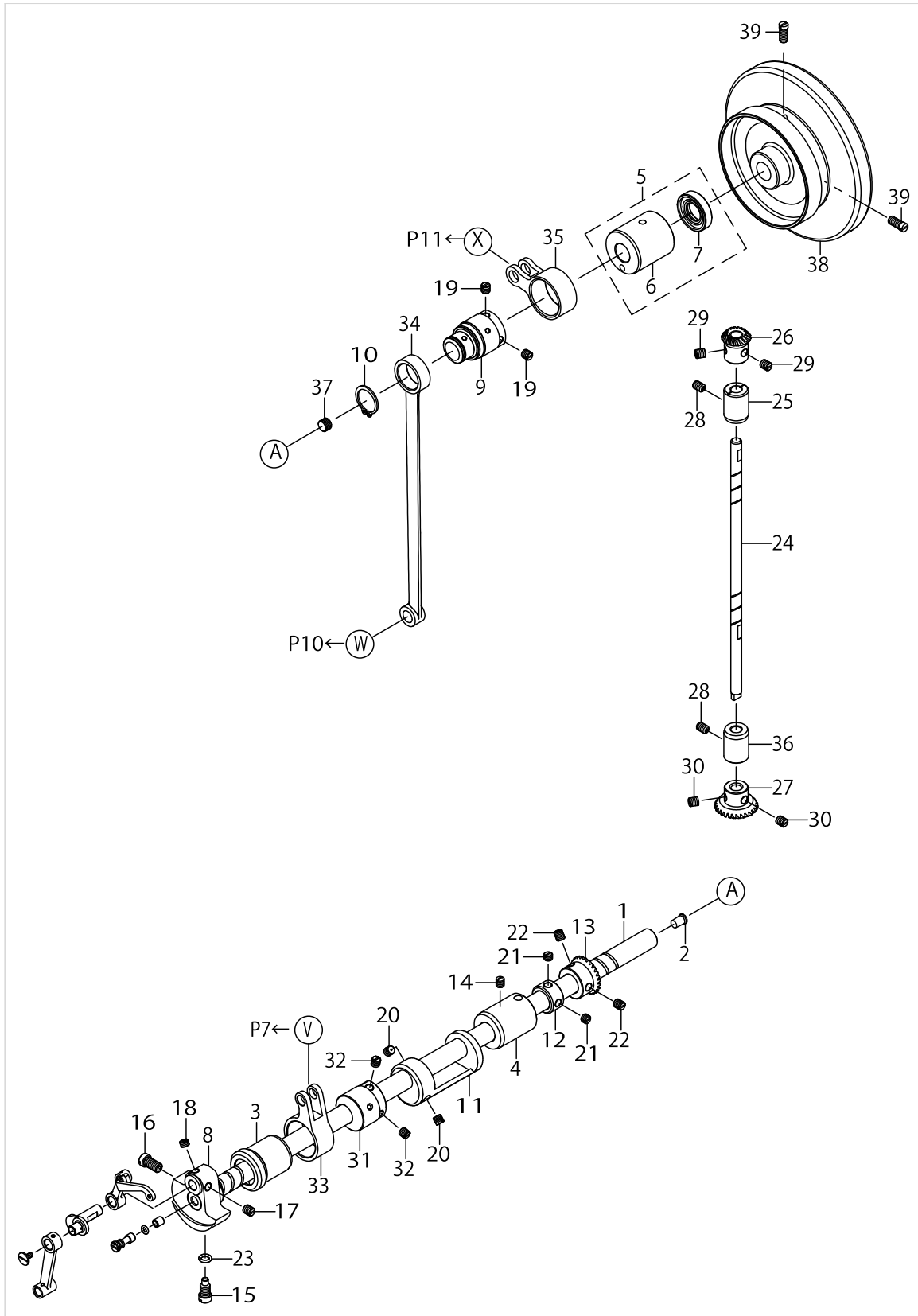
FRAME & MISCELLANEOUS COVER COMPONENTS



FRAME & MISCELLANEOUS COVER COMPONENTS

No.	Supply Code	Parts No.	Replacement	Parts name	Remarks	Choice	Step	Level	Cons	Qty	Rep. QTY
47		40148457		WASHER 9X0.8 D=4.6						4	
48		40148458		RUBBER PLUG						1	
49		40148459		RUBBER PLUG						1	
50		40148460		RUBBER PLUG						1	
51		40148461		RUBBER PLUG						1	
52		40148461		RUBBER PLUG						1	
53		40148463		RUBBER PLUG						1	
54		40148464		RUBBER PLUG						1	
55		40148464		RUBBER PLUG						1	
56		40148466		RUBBER PLUG						1	
57		40148467		RUBBER PLUG						3	
58		40148468		RUBBER PLUG						1	
59		40148469		RUBBER PLUG						1	
60		40148470		FELT						1	
61		40148471		SCREWM5-0.8 L=12						2	
62		40148472		FELT						1	
63		40148886		THREAD TENSION REGULATOR ASM.						1	
64		40148887		THREAD TENSION POST BRACKET				*		1	
65		40148888		THREAD TENSION POST				*		1	
66		40148889		SPRING A				*		1	
67		40148890		TENSION DISK				*		2	
68		40148891		TENSION REGULAT- OR PRESSER DISK				*		1	
69		40148892		TENSION SPRING				*		1	
70		40148893		NUT 1/4-40				*		1	
71		40148894		TENTION RELEASING PIN				*		1	
72		40148895		TENSION DISK STOPPER				*		1	
73		40148896		SCREW 9/64-40 L=4				*		1	
74		40148897		O-RINGS 15				*		1	
75		40148898		SCREW 15/64-28 L=6						1	
76		40148899		THREAD TENSION REGULATOR ASM.						1	
77		40148900		UPPER THREAD TENSION PLATE				*		1	
78		40148901		THREAD TENSION POST				*		1	
79		40148902		TENSION DISK				*		2	
80		40148903		TENSION SPRING				*		1	
81		40148904		NUT 11/64-40				*		1	
82		40148905		SCREW 11/64-40 L=5						1	
83		40148906		TENTION RELEASING PIN						1	
84		40148988		BELT COVER STUD						1	
85		40148994		RUBBER RING						1	
86		40148823		CORD HOLDER						2	
87		40148457		WASHER 9X0.8 D=4.6						2	
88		40148522		SCREW 11/64-40 L=6.5						1	
89		40148523		CORD HOLDER SUPPORT PLATE						1	
90		40148524		SCREW M6-1 L=8						1	

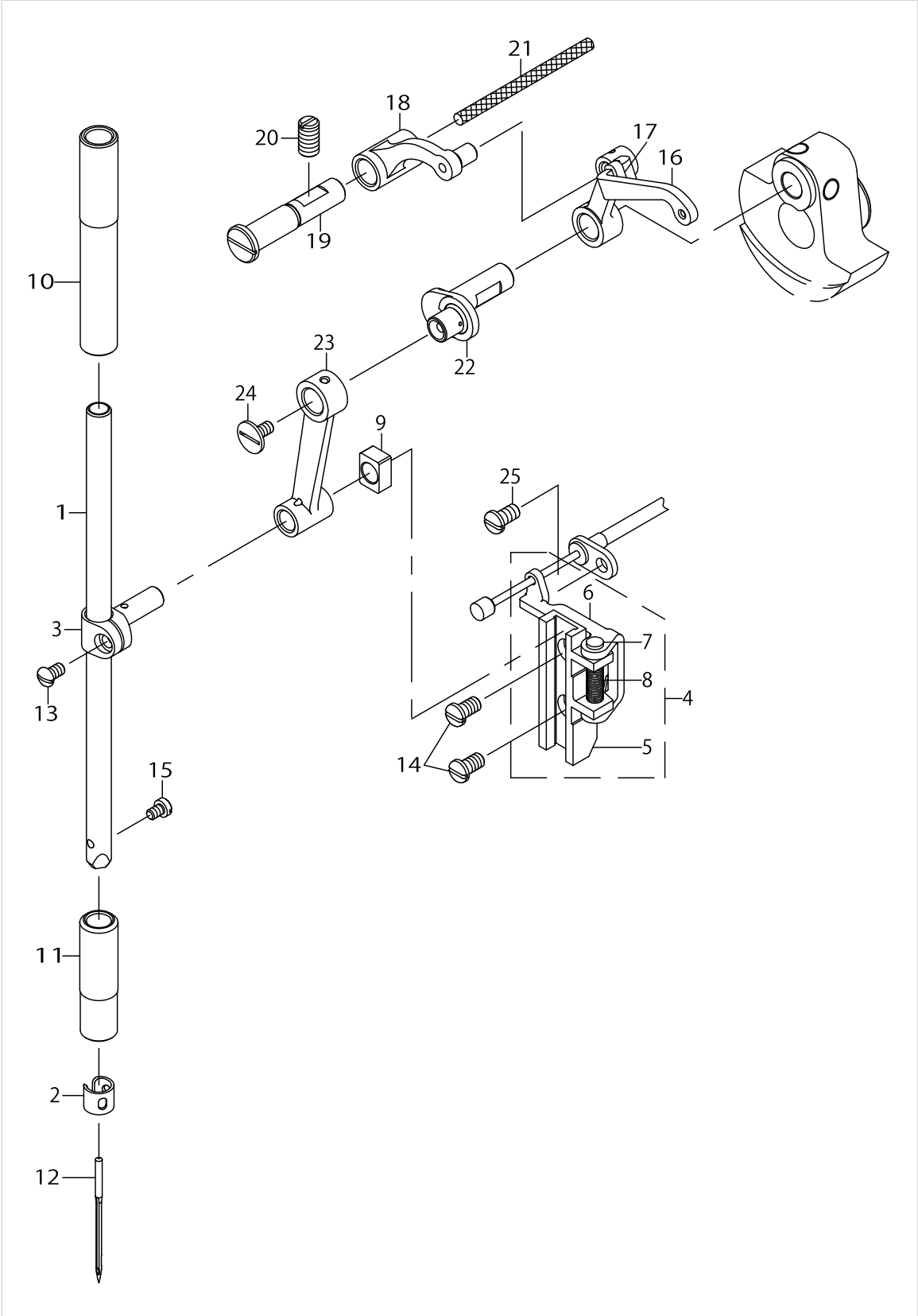
MAIN SHAFT & UPRIGHT SHAFT COMPONENTS



MAIN SHAFT & UPRIGHT SHAFT COMPONENTS

No.	Supply Code	Parts No.	Replacement	Parts name	Remarks	Choice	Step	Level	Cons	Qty	Rep. QTY
1		40148473		MAIN SHAFT						1	
2		40148474		CAP						1	
3		40148475		MAIN SHAFT BUSHING FRONT						1	
4		40148476		MAIN SHAFT BUSHING CENTER						1	
5		40148477		MAIN SHAFT BUSHING REAR ASM.						1	
6		40148478		MAIN SHAFT BUSHING REAR				*		1	
7		40148479		OIL SEAL				*		1	
8		40148480		COUNTERWEIGHT						1	
9		40148481		FEED CAM						1	
10		40148482		RETAINING RINGS-C TYPE 20						1	
11		40148483		BALANCE WEIGHT						1	
12		40148484		THRUST COLLAR						1	
13		40148485		BEVEL GEAR LARGE						1	
14		40148486		SCREW 15/64-28 L=7						1	
15		40148487		SCREW 9/32-28 L=13.5						1	
16		40148488		SCREW 9/32-28 L=12						1	
17		40148489		SCREW 1/4-40 L=7						1	
18		40148490		SCREW 1/4-40 L=4.5						1	
19		40148491		SCREW 1/4-40 L=8						2	
20		40148492		SCREW 1/4-40 L=6						2	
21		40148490		SCREW 1/4-40 L=4.5						2	
22		40148489		SCREW 1/4-40 L=7						2	
23		40148495		O-RINGS 6						1	
24		40148496		UPRIGHT SHAFT						1	
25		40148497		UPRIGHT SHAFT BUSHING						1	
26		40148498		BEVEL GEAR SMALL						1	
27		40148499		BEVEL GEAR LARGE						1	
28		40148500		SCREW 15/64-28 L=8.5						2	
29		40148501		SCREW 1/4-40 L=6						2	
30		40148501		SCREW 1/4-40 L=6						2	
31		40148503		DRIVING CAM						1	
32		40148491		SCREW 1/4-40 L=8						2	
33		40148505		CONNECTING ROD						1	
34		40148506		FEED ROD						1	
35		40148507		REVERSE SEWING CRANK						1	
36		40148508		UPRIGHT SHAFT BUSHING						1	
37		40148509		SCREW 11/32-28 L=6						1	
38		40148512		HAND WHEEL						1	
39		40148511		SCREW 15/64-28 L=18						2	

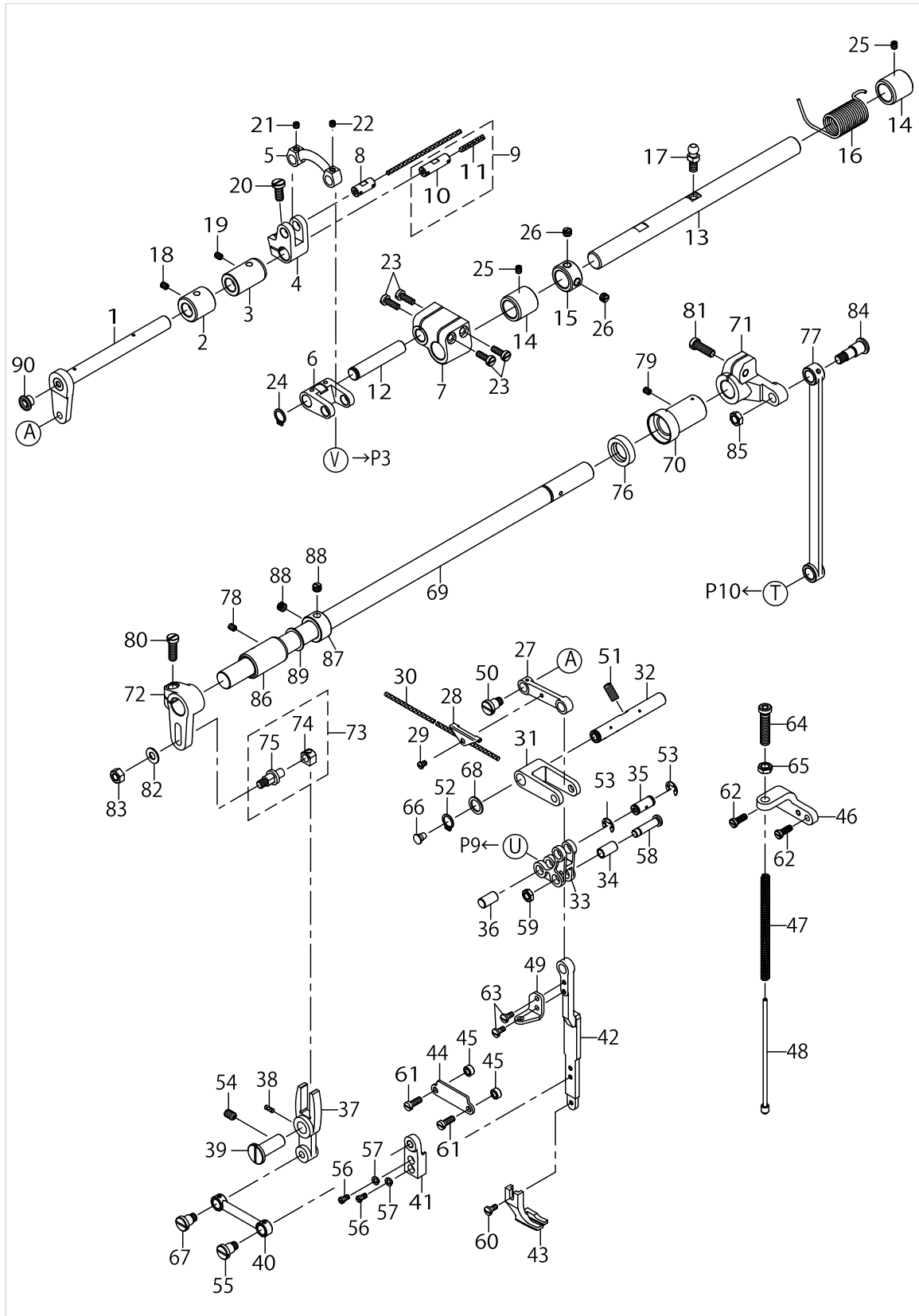
NEEDLE BAR & THREAD TAKE-UP LEVER COMPONENTS



NEEDLE BAR & THREAD TAKE-UP LEVER COMPONENTS

No.	Supply Code	Parts No.	Replacement	Parts name	Remarks	Choice	Step	Level	Cons	Qty	Rep. QTY
1		40148528		NEEDLE BAR						1	
2		40148529		NEEDLE BAR THREAD GUIDE						1	
3		40148530		NEEDLE BAR CONNECTION						1	
4		40148531		NEEDLE BAR CONNECTING LINK GUIDE ASM.						1	
5		40148532		NEEDLE BAR CONNECTING LINK GUIDE				*		1	
6		40148533		THREAD RELEASING PLATE				*		1	
7		40148534		TENSION RELEASING PIN				*		1	
8		40148535		SPRING				*		1	
9		40148536		SLIDE BLOCK						1	
10		40148537		NEEDLE BAR BUSHING UPPER						1	
11		40148538		NEEDLE BAR BUSHING LOWER						1	
12		40148539		NEEDLE DPX17-22						1	
13		40148540		SCREW 9/64-40 L=6						1	
14		40148521		SCREW 11/64-40 L=8						2	
15		40148542		SCREW 1/8-44 L=4.6						1	
16		40148543		THREAD TAKE-UP LEVER						1	
17		40148544		OIL GUARD RUBBER						1	
18		40148545		THREAD TAKE-UP LEVER LINK						1	
19		40148546		THREAD TAKE-UP LEVER LINK PIN						1	
20		40148547		SCREW 15/64-28 L=11						1	
21		40148548		FELT						1	
22		40148549		NEEDLE BAR CRANK SHAFT						1	
23		40148550		NEEDLE BAR CRANK ROD						1	
24		40148551		SCREW 9/64-40						1	
25		40148521		SCREW 11/64-40 L=8						1	

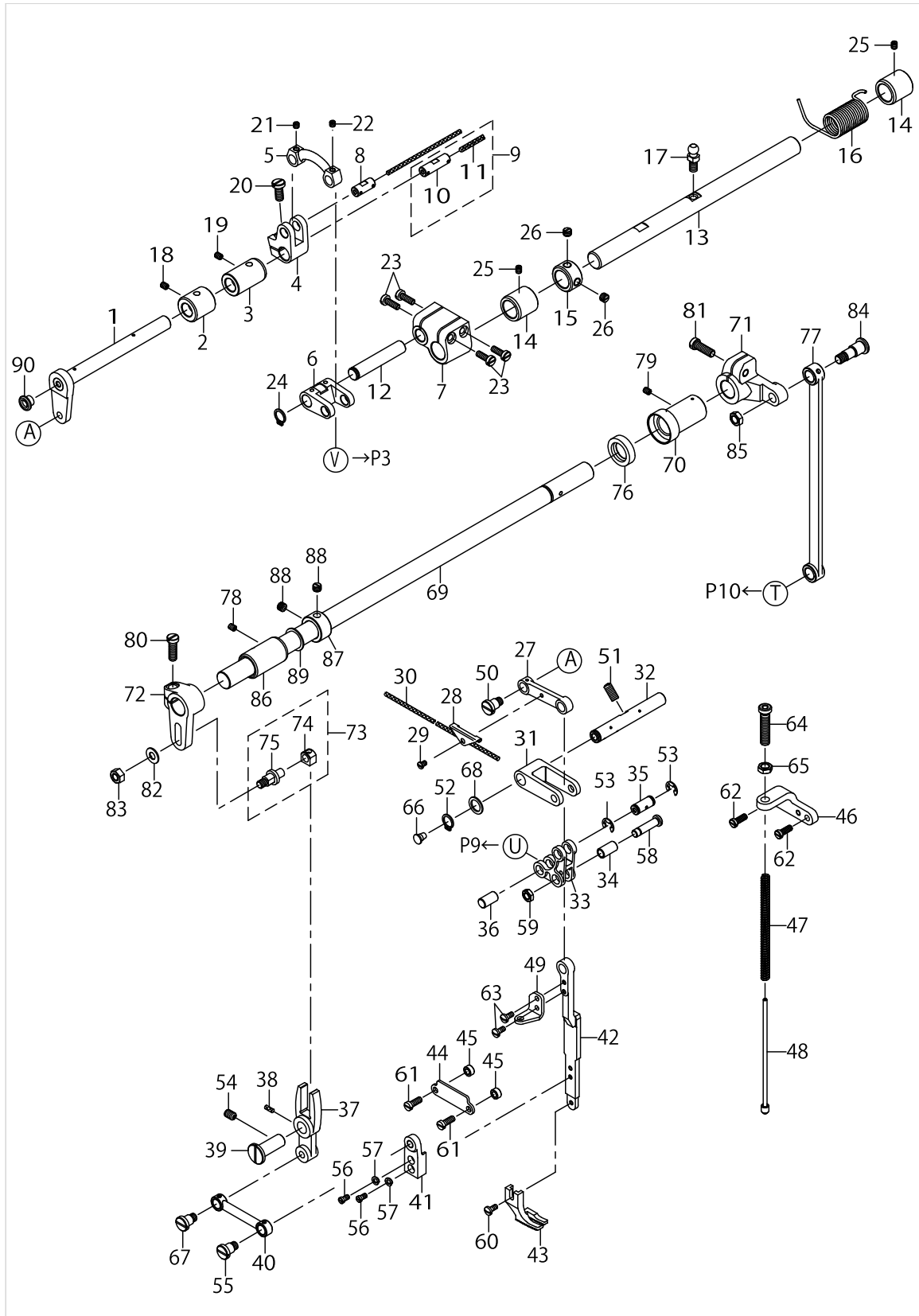
UPPER FEED MECHANISM COMPONENTS



UPPER FEED MECHANISM COMPONENTS

No.	Supply Code	Parts No.	Replacement	Parts name	Remarks	Choice	Step	Level	Cons	Qty	Rep. QTY
1		40148553		FEED ROCKER SHAFT COM.						1	
2		40148554		BUSHING FRONT						1	
3		40148555		BUSHING REAR						1	
4		40148556		DRIVING SHAFT ARM FRONT						1	
5		40148557		UPPER FEED LINK A						1	
6		40148558		UPPER FEED LINK B						1	
7		40148559		DRIVING SHAFT ROD FRONT						1	
8		40148560		SHAFT A						1	
9		40148561		SHAFT B ASM.						1	
10		40148562		SHAFT B				*		1	
11		40148563		OIL WICK				*		1	
12		40148564		SHAFT C						1	
13		40148565		SHAFT						1	
14		40148566		BUSHING						2	
15		40148567		THRUST COLLAR						1	
16		40148568		SPRING						1	
17		40148569		PIN						1	
18		40148570		SCREW 11/64-40 L=5.5						1	
19		40148570		SCREW 11/64-40 L=5.5						1	
20		40148572		SCREW15/64-28L=14						1	
21		40148573		SCREW 11/64-40 L=4						1	
22		40148573		SCREW 11/64-40 L=4						1	
23		40148575		SCREW 3/16-28 L=15						4	
24		40148576		RETAINING RINGS-C TYPE 10						1	
25		40148570		SCREW 11/64-40 L=5.5						1	
26		40148490		SCREW 1/4-40 L=4.5						2	
27		40148579		ROD						1	
28		40148580		HOLDER						1	
29		40148581		SCREW 9/64-40 L=5						1	
30		40148582		OIL WICK						1	
31		40148583		BELL CRANK LINK						1	
32		40148584		BELL CRANK SHAFT						1	
33		40148585		BELL CRANK						1	
34		40148586		BUSHING						1	
35		40148587		PIN A						1	
36		40148588		PIN B						1	
37		40148589		SLIDE FORK						1	
38		40148590		OIL WICK						1	
39		40148591		SLIDE FORK PIN						1	
40		40148592		ROD						1	
41		40148593		FEED ARM						1	
42		40148594		WALKING FOOT GUIDE LINK						1	
43		40148595		WALKING FOOT (STANDARD)						1	
44		40148596		SUPPORTING PLATE						1	
45		40148597		WASHER						2	
46		40148598		PRESSER REGULATING BRACKET						1	

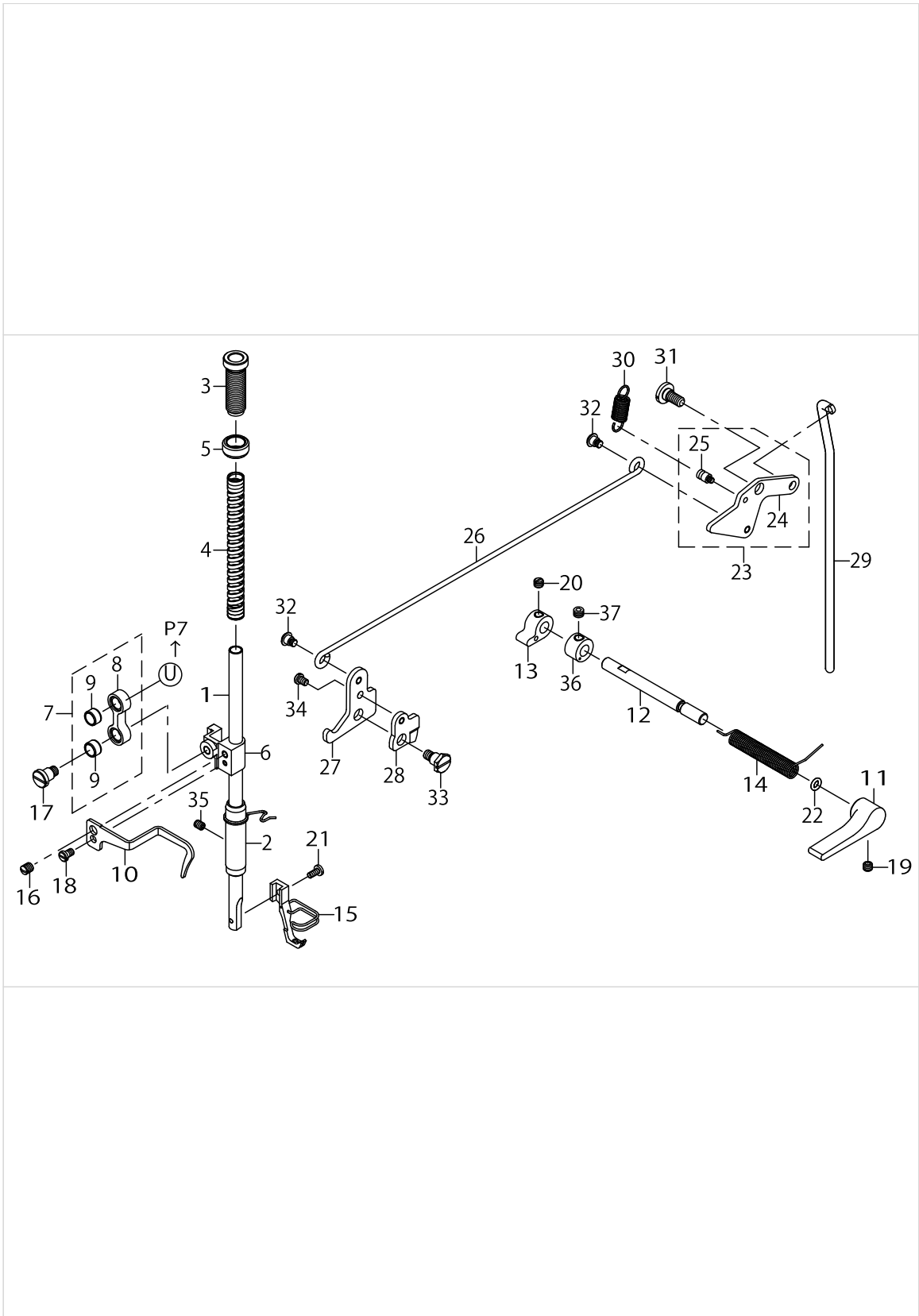
UPPER FEED MECHANISM COMPONENTS



UPPER FEED MECHANISM COMPONENTS

No.	Supply Code	Parts No.	Replacement	Parts name	Remarks	Choice	Step	Level	Cons	Qty	Rep. QTY
47		40148599		SPRING						1	
48		40148600		SPRING GUIDE BAR ASM.						1	
49		40148601		PROP UP PLATE						1	
50		40148602		HINGE SCREW 1/4-40 D=8 L=7						1	
51		40148603		SCREW 15/64-28L=14						1	
52		40148576		RETAINING RINGS-C TYPE 10						1	
53		40148605		RETAINING RINGS- E TYPE 6						2	
54		40148500		SCREW 15/64-28 L=8.5						1	
55		40148602		HINGE SCREW 1/4-40 D=8 L=7						1	
56		40148608		SCREW 9/64-40 L=8						2	
57		40148609		SPRING LOCK WASHERS 3.6						2	
58		40148610		SCREW 15/64-28 D=6 L=20						1	
59		40148611		NUT 15/64-28						1	
60		40148612		SCREW 9/64-40 L=8						1	
61		40148613		SCREW 11/64-40L=12						2	
62		40148613		SCREW 11/64-40L=12						2	
63		40148612		SCREW 9/64-40 L=8						2	
64		40148616		SCREW 9/32-28 L=31						1	
65		40148617		NUT 9/32-28						1	
66		40148468		RUBBER						1	
67		40148619		HINGE SCREW 1/4-40 D=8 L=7						1	
68		40148621		WASHER 14.5X1.05 D=10.1						1	
69		40148622		DRIVING SHAFT						1	
70		40148623		BUSHING						1	
71		40148624		DRIVING SHAFT ROD REAR						1	
72		40148625		DRIVING SHAFT ROD FRONT						1	
73		40148626		SLIDE BLOCK ASM.						1	
74		40148627		SLIDE BLOCK				*		1	
75		40148628		STUD				*		1	
76		40148629		OIL SEAL						1	
77		40148630		FEED DRIVE CONNECTING LINK						1	
78		40148570		SCREW 11/64-40 L=5.5						1	
79		40148570		SCREW 11/64-40 L=5.5						1	
80		40148633		SCREW 15/64-28L=18						1	
81		40148633		SCREW 15/64-28L=18						1	
82		40148635		WASHER 13X1 D=6.2						1	
83		40148636		NUT 1/4-24						1	
84		40148637		HINGE SCREW 9/32-28						1	
85		40148638		NUT 9/32-28						1	
86		40148639		BUSHING						1	
87		40148567		THRUST COLLAR						1	
88		40148490		SCREW 1/4-40 L=4.5						2	
89		40148642		WASHER 19X1D=14.73						1	
90		40148525		THREAD GUIDE						1	

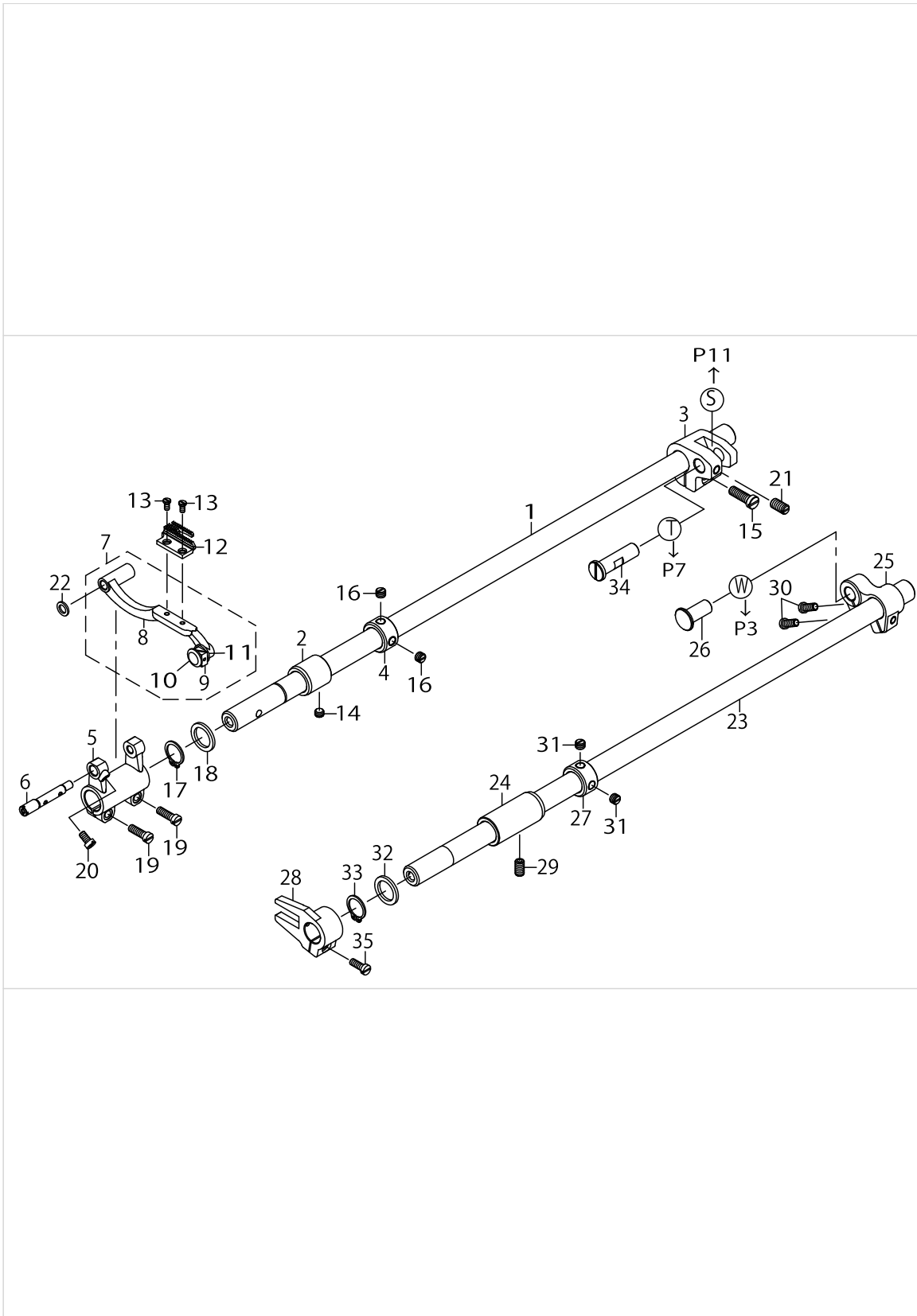
PRESSURE BAR & KNEE LIFTER COMPONENTS



PRESSURE BAR & KNEE LIFTER COMPONENTS

No.	Supply Code	Parts No.	Replacement	Parts name	Remarks	Choice	Step	Level	Cons	Qty	Rep. QTY
1		40148643		PRESSER BAR						1	
2		40148644		PRESSER BAR BUSHING						1	
3		40148645		SCREW						1	
4		40148646		PRESSER SPRING						1	
5		40148647		NUT						1	
6		40148648		PRESSER BAR GUIDE BRACKET						1	
7		40148649		PRESSER BAR GUIDE BRACKET RINK ASM.						1	
8		40148650		PRESSER BAR GUIDE BRACKET RINK				*		1	
9		40148651		BUSHING				*		2	
10		40148652		THREAD GUIDE						1	
11		40148653		HAND LIFTER LEVER						1	
12		40148654		PRESSER BAR LIFTING PIN						1	
13		40148655		HAND LIFTER CAM						1	
14		40148656		SPRING						1	
15		40148657		PRESSER FOOT						1	
16		40148486		SCREW 15/64-28 L=7						1	
17		40148602		HINGE SCREW 1/4-40 D=8 L=7						1	
18		40148660		SCREW 11/64-40 L=6						1	
19		40148661		SCREW 15/64-28 L=4.5						1	
20		40148661		SCREW 15/64-28 L=4.5						1	
21		40148612		SCREW 9/64-40 L=8						1	
22		40148664		O-RINGS 5						1	
23		40148665		PRESSER BAR LIFTING LINK COM.						1	
24		40148666		PRESSER BAR LIFTING LINK				*		1	
25		40148667		SPRING HOOK				*		1	
26		40148668		SIDE CONNECTING BAR						1	
27		40148669		THREAD RELEASING PLATE A						1	
28		40148670		THREAD RELEASING PLATE B						1	
29		40148671		LIFTING LEVER CONNECTING ROD						1	
30		40148672		SPRING						1	
31		40148673		HINGE SCREW 1/4-24 D=8 L=3.4						1	
32		40148674		HINGE SCREW 3/16-28 D=6 L=3.5						2	
33		40148675		HINGE SCREW 15/64-28 D=8 L=6.4						1	
34		40148660		SCREW 11/64-40 L=6						1	
35		40148677		SCREW 11/64-40 L=10						1	
36		40148678		THRUST COLLAR						1	
37		40148679		SCREW 1/4-40 L=4.5						1	

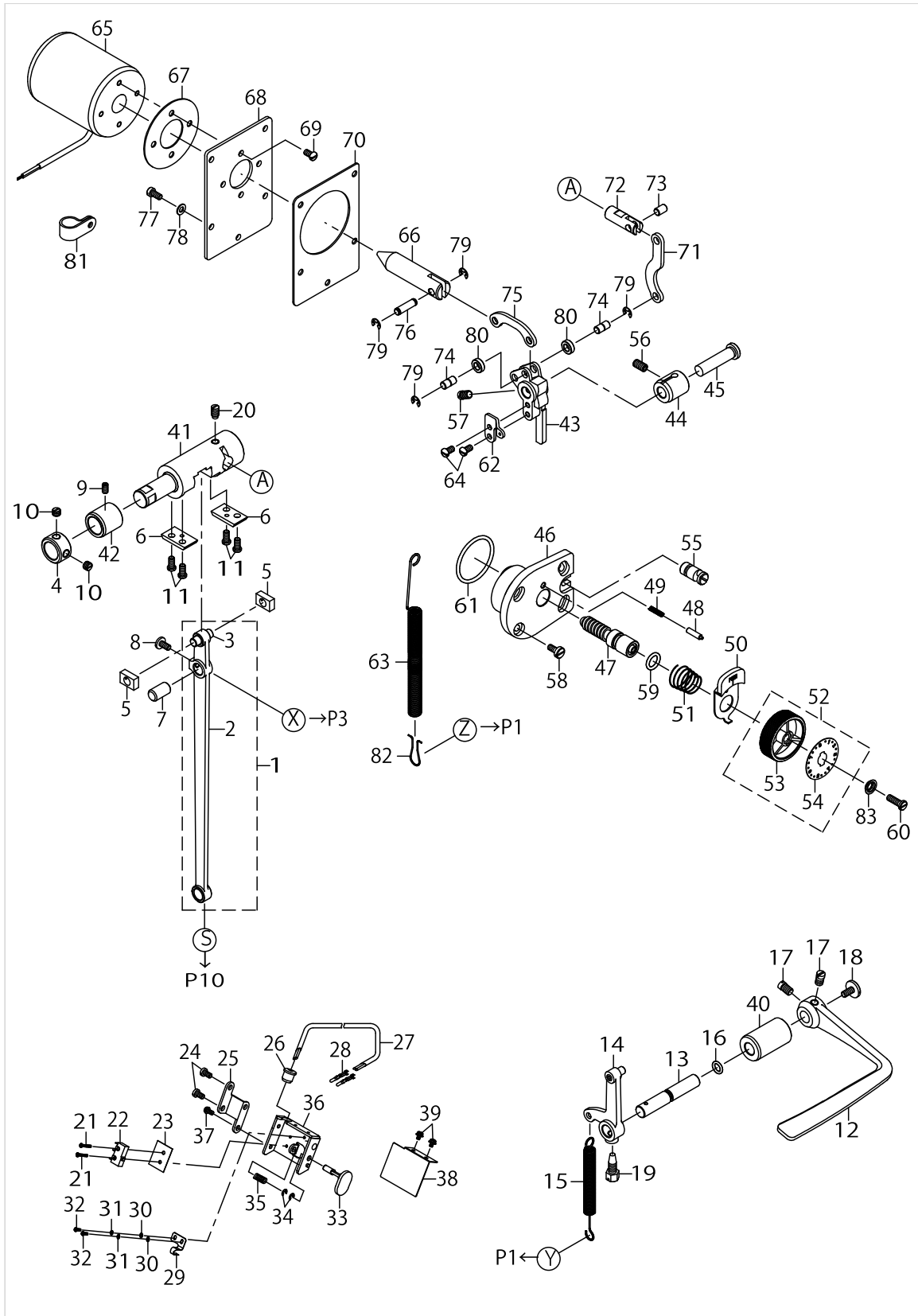
LOWER FEED MECHANISM COMPONENTS



LOWER FEED MECHANISM COMPONENTS

No.	Supply Code	Parts No.	Replacement	Parts name	Remarks	Choice	Step	Level	Cons	Qty	Rep. QTY
1		40148680		FEED ROCKERSHAFT						1	
2		40148566		BUSHING FRONT						1	
3		40148682		FEED ROCKER SHAFT CRANK						1	
4		40148567		THRUST COLLAR						1	
5		40148684		FEED BAR ROD						1	
6		40148685		FEED BAR SHAFT						1	
7		40148686		FEED BAR ASM.						1	
8		40148687		FEED BAR				*		1	
9		40148688		SQUARE BLOCK				*		1	
10		40148689		SHAFT				*		1	
11		40148690		WASHER 13X1.5 D=6.1				*		1	
12		40148691		FEED DOG						1	
13		40148692		SCREW 1/8-44 L=6						2	
14		40148693		SCREW 15/64-28 L=4						1	
15		40148633		SCREW 15/64-28 L=18						1	
16		40148490		SCREW 1/4-40 L=4.5						2	
17		40148696		RETAINING RINGS-C TYPE 15						1	
18		40148697		WASHER 20.5X1.9 D=14.8						1	
19		40148575		SCREW 3/16-28 L=15						2	
20		40148418		SCREW 11/64-40 L=8						1	
21		40148547		SCREW 15/64-28 L=11						1	
22		40148701		WASHER 10X1.2 D=6.2						1	
23		40148702		FEED LIFTING ROCK SHAFT						1	
24		40148703		BUSHING FRONT						1	
25		40148704		FEED LIFTING ROCK LINK						1	
26		40148705		FEED ROD SHAFT						1	
27		40148567		THRUST COLLAR						1	
28		40148707		FEED BAR FORKED CONNECTION						1	
29		40148547		SCREW 15/64-28 L=11						1	
30		40148709		SCREW 3/16-28 L=12						2	
31		40148490		SCREW 1/4-40 L=4.5						2	
32		40148697		WASHER 20.5X1.9 D=14.8						1	
33		40148696		RETAINING RINGS-C TYPE 15						1	
34		40148713		HORIZONTAL FEED ROD SHAFT						1	
35		40148613		SCREW 11/64-40 L=12						1	

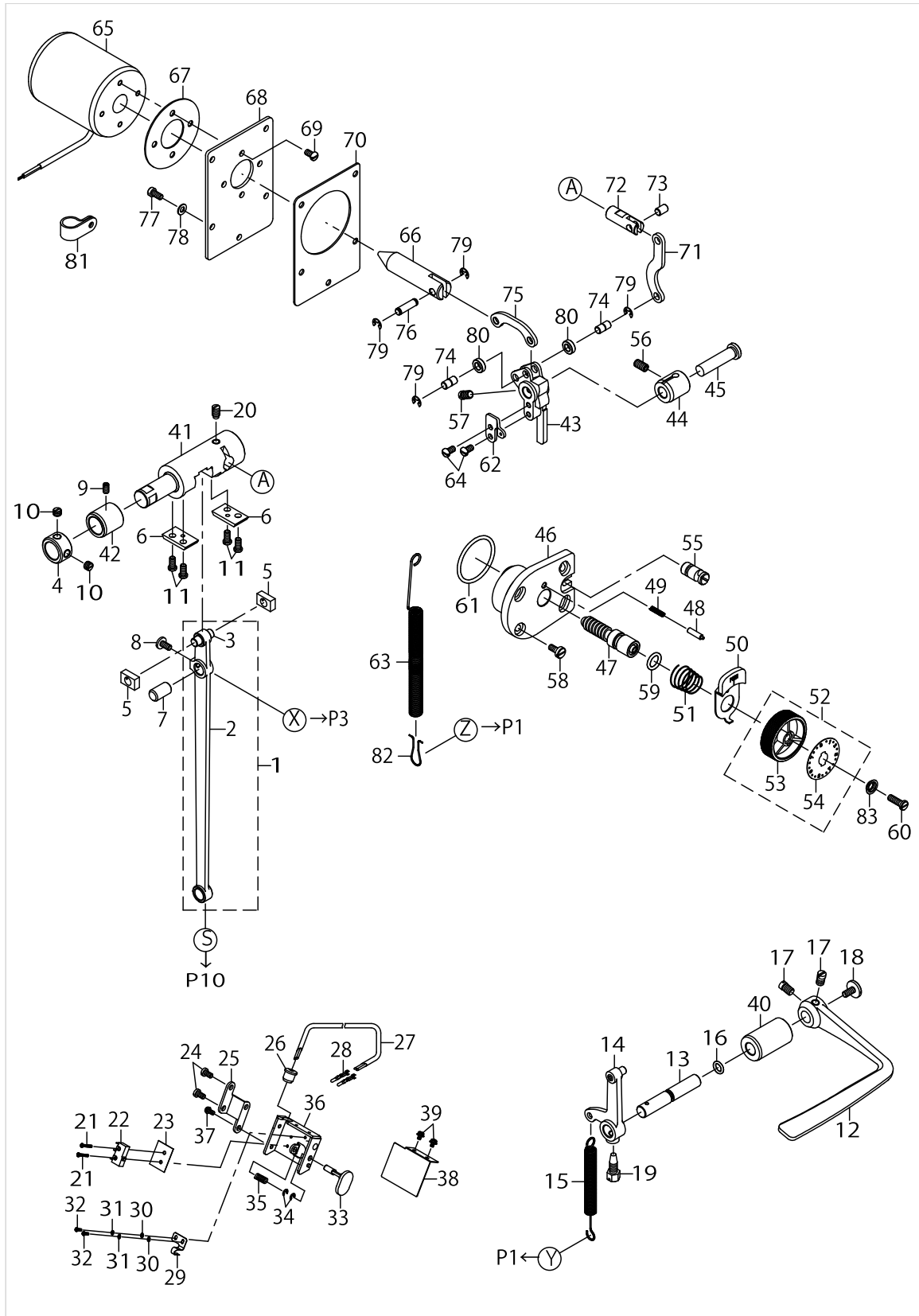
FEED ADJUSTMENT MECHANISM COMPONENTS



FEED ADJUSTMENT MECHANISM COMPONENTS

No.	Supply Code	Parts No.	Replacement	Parts name	Remarks	Choice	Step	Level	Cons	Qty	Rep. QTY
1		40148715		HORIZONTAL FEED ROD COM.						1	
2		40148755		HORIZONTAL FEED ROD				*		1	
3		40148756		HORIZONTAL FEED ROD PIN				*		1	
4		40148718		THRUST COLLAR						1	
5		40148719		SQUARE BLOCK						2	
6		40148720		GUIDE PLATE						2	
7		40148721		PIN						1	
8		40148722		SCREW 11/64-40 L=7						1	
9		40148723		SCREW 11/64-40 L=7						1	
10		40148490		SCREW 1/4-40 L=4.5						2	
11		40148725		SCREW 11/64-40 L=9						4	
12		40148726		LEVER						1	
13		40148727		LEVER SHAFT						1	
14		40148728		REVERSE FEED CRANK ASM.						1	
15		40148729		SPRING						1	
16		40148730		O-RINGS 7						1	
17		40148731		SCREW 15/64-28 L=9						2	
18		40148732		SCREW 3/16-28 L=10						1	
19		40148733		SCREW15/64-28 L=16.5						1	
20		40148734		SCREW 15/64-28 L=10.5						1	
21		40148735		SCREW M2X0.4 L=8						2	
22		40148736		MICROSWITCH						1	
23		40148737		INSULATER SHEET						1	
24		40148738		SCREW 11/64-40 L=7.8						2	
25		40148739		MICROSWITCH SUPPORT PLATE						1	
26		40148740		RUBBER PLUG						1	
27		40148741		2-C CABLE						1	
28		40148742		PIN TERMINAL						2	
29		40148743		SPRING						1	
30		40148744		WASHER						2	
31		40148745		SPRING LOCK WASHERS						2	
32		40148746		SCREW M2X0.4 L=4						2	
33		40148747		SWITCH LEVER						1	
34		40148748		RETAINING RINGS- E TYPE 3						2	
35		40148749		SPRING						1	
36		40148750		SWITCH COVER						1	
37		40148751		SCREW M4X0.7 L=6						2	
38		40148752		SCREW M3X0.5 L=5						2	
39		40148753		SWITCH BOX COVER						1	
40		40148754		LEVER SHAFT BUSHING						1	
41		40148716		REVERSE BLOCK						1	
42		40148566		BUSHING						1	
43		40148757		FEED REGULATOR						1	
44		40148758		BUSHING						1	
45		40148759		FEED REGURATOR SHAFT						1	
46		40148760		STITCH DIAL BASE						1	

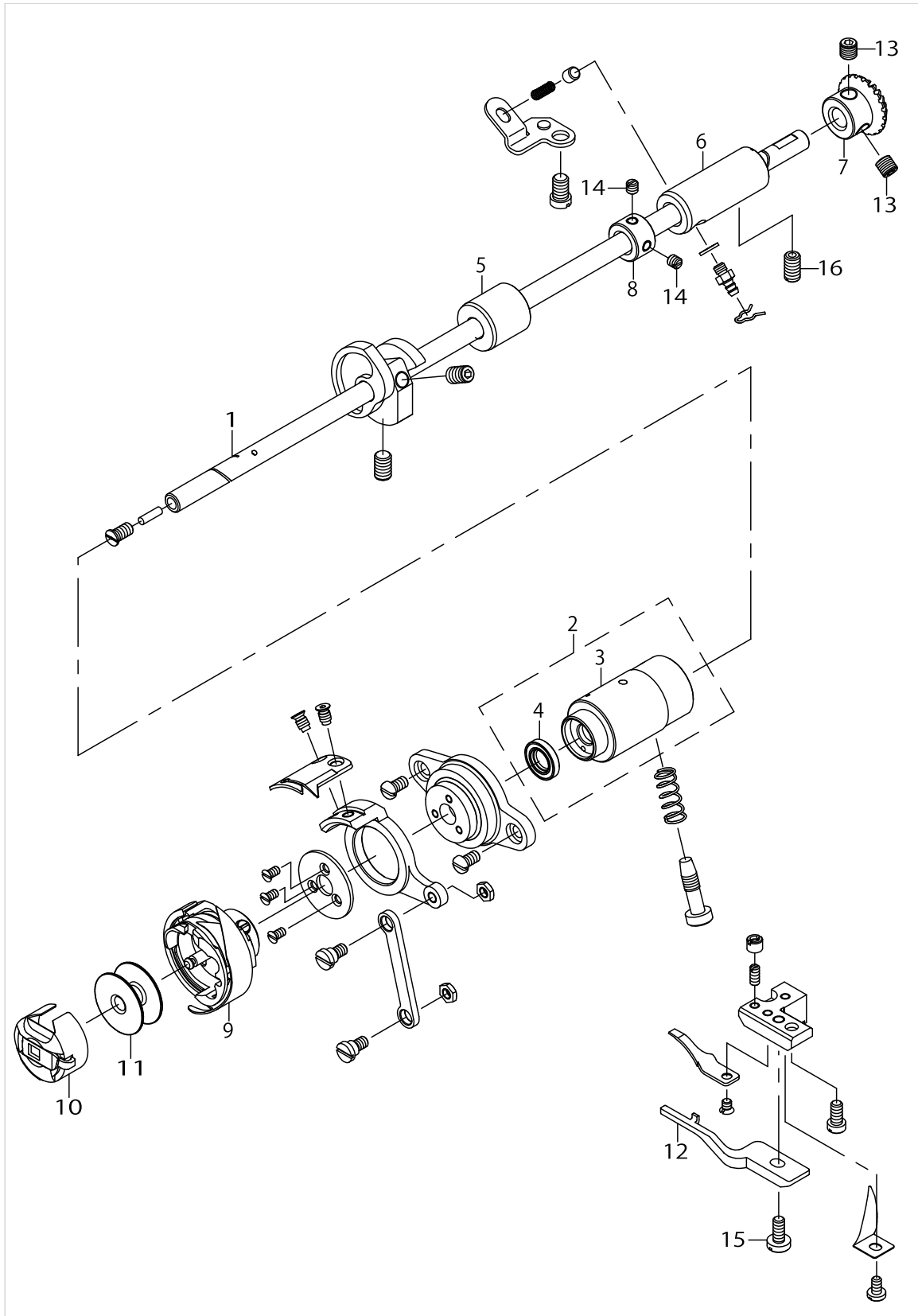
FEED ADJUSTMENT MECHANISM COMPONENTS



FEED ADJUSTMENT MECHANISM COMPONENTS

No.	Supply Code	Parts No.	Replacement	Parts name	Remarks	Choice	Step	Level	Cons	Qty	Rep. QTY
47		40148761		FEED REGULATING SCREW						1	
48		40148762		PIN						1	
49		40148763		SPRING						1	
50		40148764		STOPPER PIN RELEASING LEVER						1	
51		40148765		SPRING						1	
52		40148766		DIAL ASM.						1	
53		40148767		DIAL				*		1	
54		40148768		DIAL PLATE				*		1	
55		40148769		ECCENTRIC PIN						1	
56		40148547		SCREW15/64-28L=11						1	
57		40148771		SCREW 15/64-28 L=8.5						1	
58		40148772		SCREW11/64-40L=10						4	
59		40148773		O-RINGS 10						1	
60		40148774		SCREW 3/16-28 L=15						1	
61		40148776		O-RINGS 35.5						1	
62		40148777		BRACKET						1	
63		40148778		SPRING						1	
64		40148521		SCREW 11/64-40 L=8						2	
65		40148780		REVERSE FEED SOLENOID						1	
66		40148781		CORE						1	
67		40148782		PACKING						1	
68		40148783		ARM SIDE COVER						1	
69		40148521		SCREW 11/64-40 L=8						4	
70		40148785		PACKING						1	
71		40148786		FEED CONNECTING LINK						1	
72		40148787		SET PIN						1	
73		40148788		PIN						1	
74		40148789		PIN						2	
75		40148790		FEED CONNECTING LINK						1	
76		40148791		PIN						1	
77		40148613		SCREW11/64-40L=12						5	
78		40148457		WASHER 9X0.8 D=4.6						5	
79		40148794		E-SHAPED SNAP RINGS (4MM)						4	
80		40148795		WASHER 11X3.5 D=6						2	
81		40148796		CORD HOLDER						1	
82		40148797		SPRING HOLDER						1	
83		40148798		WASHER						1	

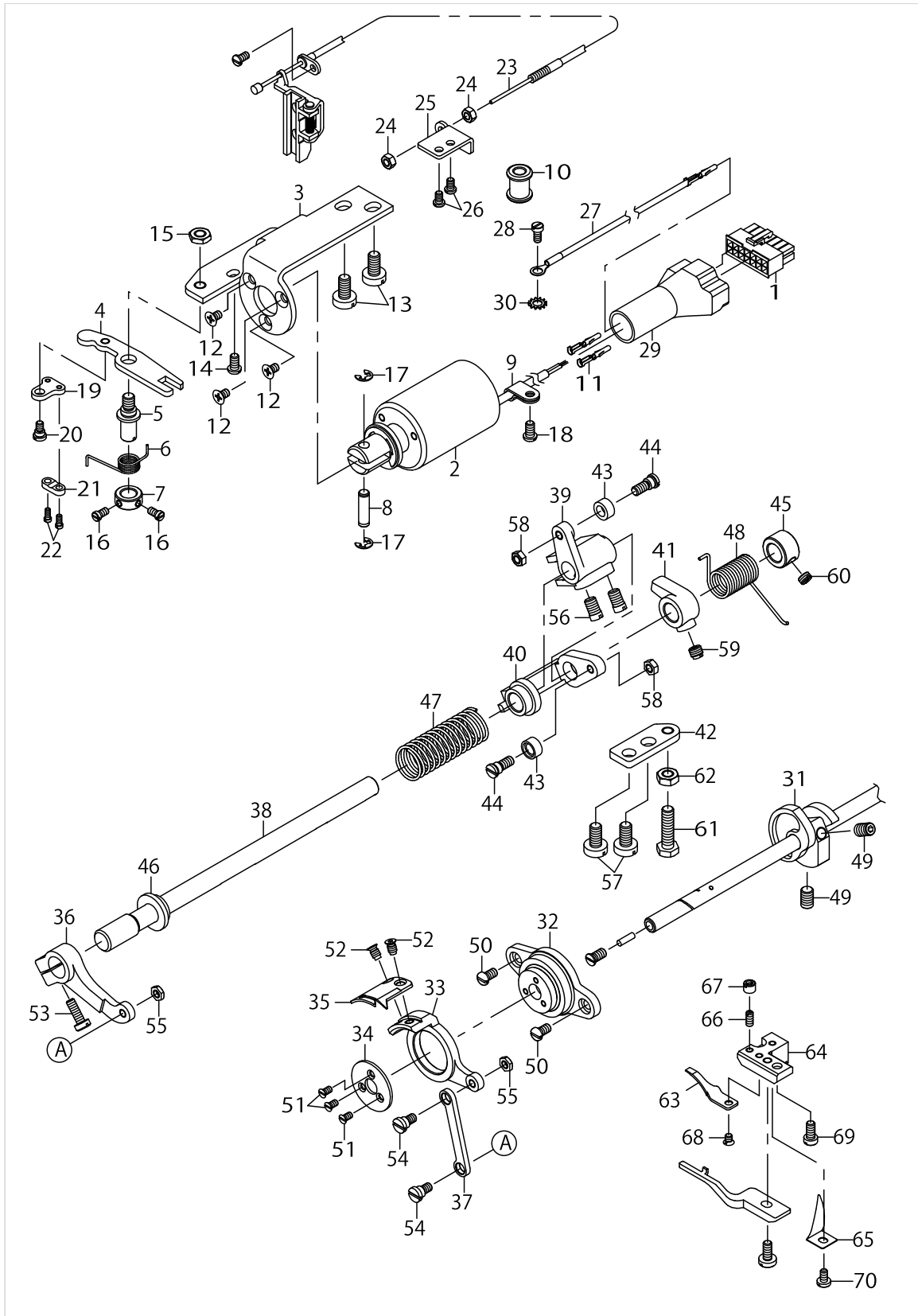
HOOK DRIVE SHAFT COMPONENTS



HOOK DRIVE SHAFT COMPONENTS

No.	Supply Code	Parts No.	Replacement	Parts name	Remarks	Choice	Step	Level	Cons	Qty	Rep. QTY
1		40148799		HOOK DRIVING SHAFT						1	
2		40148800		BUSHING FRONT ASM.						1	
3		40148801		BUSHING FRONT				*		1	
4		40148802		OIL SEAL				*		1	
5		40148803		BUSHING CENTER						1	
6		40148804		BUSHING REAR						1	
7		40148805		SCREW GEAR BACK						1	
8		40148806		THRUST COLLAR						1	
9		40148807		HOOK						1	
10		40148808		BOBBIN CASE						1	
11		40148809		BOBBIN						1	
12		40148810		BOBBIN CASE POSI- TIONING FINGER						1	
13		40148501		SCREW 1/4-40 L=6						2	
14		40148812		SCREW 11/64-40 L=4.5						2	
15		40148772		SCREW 11/64-40 L=10						1	
16		40148547		SCREW 15/64-28 L=11						1	

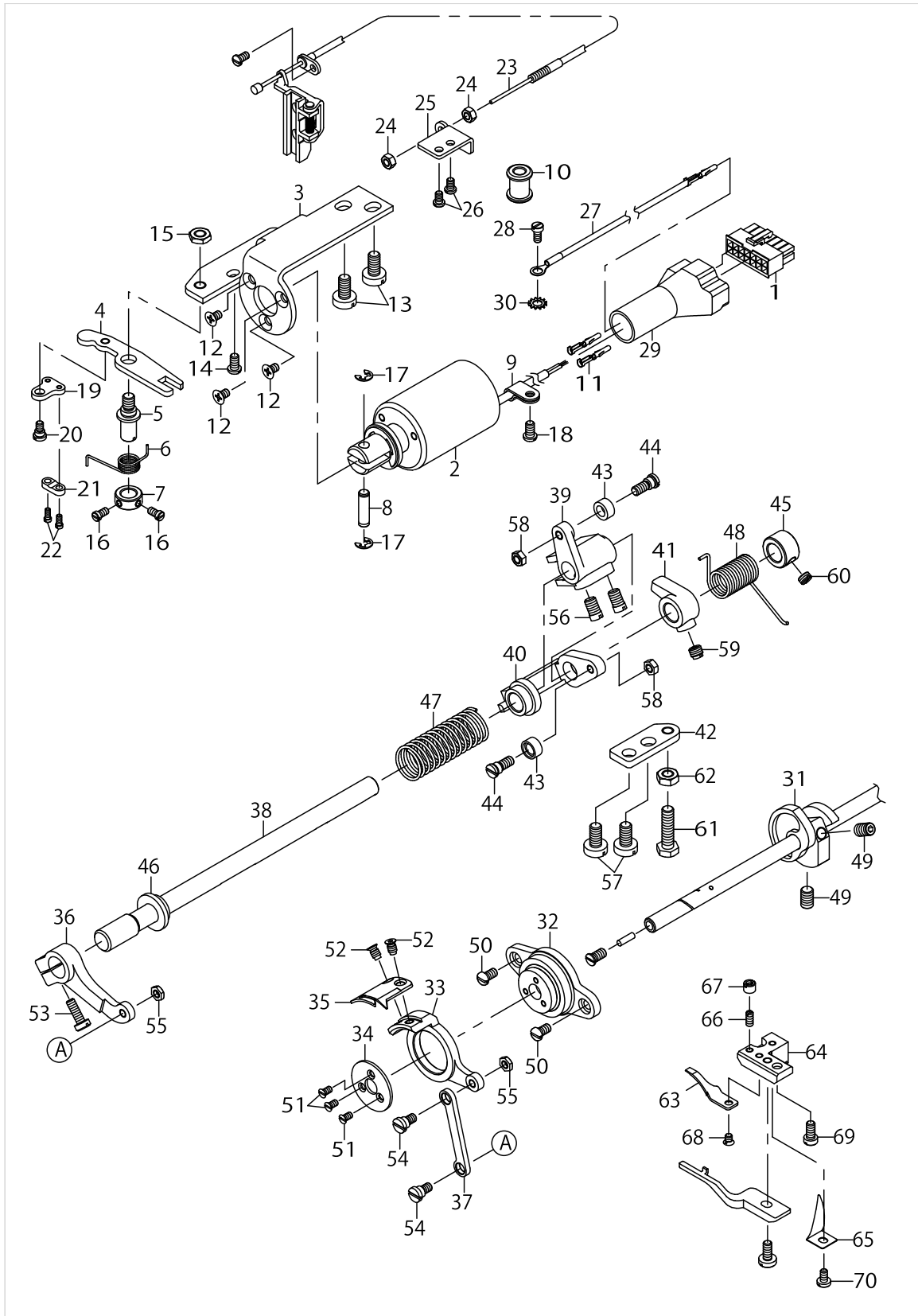
THREAD TRIMMER COMPONENTS



THREAD TRIMMER COMPONENTS

No.	Supply Code	Parts No.	Replacement	Parts name	Remarks	Choice	Step	Level	Cons	Qty	Rep. QTY
1		40148815		CONNECTOR						1	
2		40148816		THREAD CUTTING SOLENOID ASM.						1	
3		40148817		SOLENOID INSTALING BASE						1	
4		40148818		FLEXIBLE DRIVING LEVER						1	
5		40148819		SCREW 15/64-28						1	
6		40148820		SPRING						1	
7		40148821		THRUST COLLAR						1	
8		40148791		PIN						1	
9		40148823		CORD HOLDER						1	
10		40148824		STRAIN RELIEF BUSHING						1	
11		40148742		PIN TERMINAL						2	
12		40148826		SCREW M4-0.7 L=6.5						3	
13		40148827		SCREW15/64-28L=12						2	
14		40148521		SCREW 11/64-40 L=8						1	
15		40148829		NUT 15/64-28						1	
16		40148830		SCREW 9/64-40 L=6.5						2	
17		40148794		E-SHAPED SNAP RINGS (4MM)						2	
18		40148521		SCREW 11/64-40 L=8						1	
19		40148833		BRACKET						1	
20		40148834		HINGE SCREW						1	
21		40148835		BRACKET						1	
22		40148836		SCREW 1/8-44 L=6.8						2	
23		40148837		FLEXIBLE WIRE ASM.						1	
24		40148838		NUT M5X0.8						2	
25		40148839		HOLDER						1	
26		40148840		SCREW 11/64-40 L=7						2	
27		40148841		GROUND WIRE ASM.						1	
28		40148842		SCREW 11/64-40 L=9						1	
29		40148843		CONNECTOR COVER						1	
30		40148844		TOOTHED LOCK W-ASHER 9.5XT0.5D=4.8						1	
31		40148845		THREAD TRIMMER CAM						1	
32		40148846		KNIFE HOLDING BRACKET SADDLE						1	
33		40148847		KNIFE BASE						1	
34		40148848		SPECIAL WASHER						1	
35		40148849		MOVABLE KNIFE						1	
36		40148850		KNIFE DRIVING CRANK						1	
37		40148851		LINK						1	
38		40148852		KNIFE DRIVING SHAFT						1	
39		40148853		CAM FOLLOWER CRANK A						1	
40		40148854		CAM FOLLOWER CRANK B						1	
41		40148855		STOPPER						1	
42		40148856		STOPPER PLATE						1	
43		40148857		ROLLER						2	
44		40148858		HINGE SCREW 3/16-28 D=6 L=3.6						2	
45		40148859		THRUST COLLAR						1	

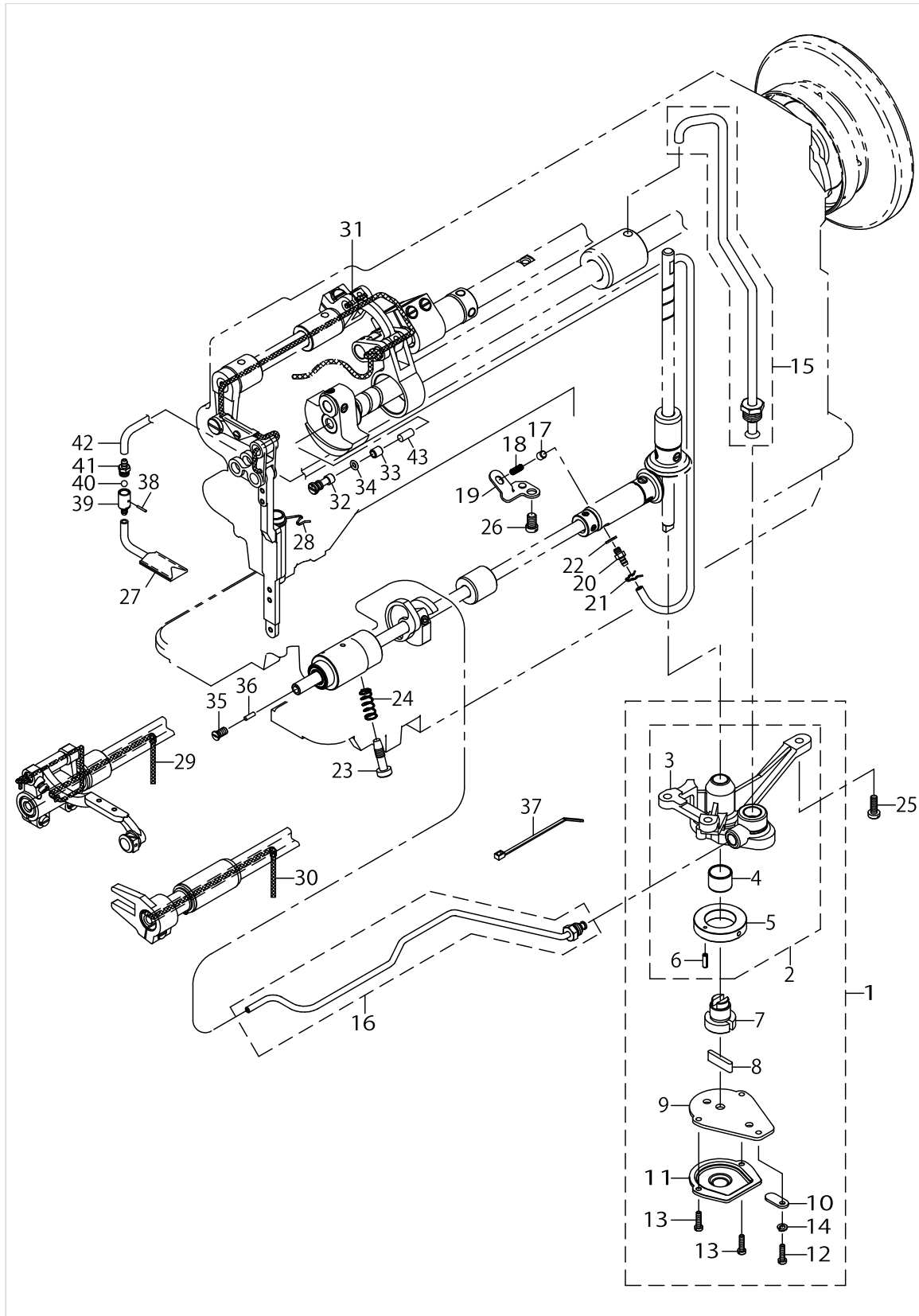
THREAD TRIMMER COMPONENTS



THREAD TRIMMER COMPONENTS

No.	Supply Code	Parts No.	Replacement	Parts name	Remarks	Choice	Step	Level	Cons	Qty	Rep. QTY
46		40148860		BUSHING						1	
47		40148861		SPRING						1	
48		40148862		SPRING						1	
49		40148863		SCREW 1/4-40 L=10						2	
50		40148521		SCREW 11/64-40 L=8						2	
51		40148865		SCREW 1/8-44 L=6						3	
52		40148866		SCREW 11/64-40 L=7						2	
53		40148867		SCREW 11/64-40 L=13						1	
54		40148868		HINGE SCREW 11/64-40 D=6 L=3.1						2	
55		40148869		NUT 11/64-40						2	
56		40148870		SCREW 15/64-28 L=8						2	
57		40148827		SCREW 15/64-28 L=12						2	
58		40148872		NUT 3/16-28						2	
59		40148491		SCREW 1/4-40 L=8						1	
60		40148874		SCREW 1/4-40 L=3.5						1	
61		40148875		SCREW 15/64-28 L=23						1	
62		40148876		NUT 15/64-28						1	
63		40148877		FIXED KNIFE						1	
64		40148878		FIXED KNIFE BASE						1	
65		40148879		THREAD GUIDE						1	
66		40148880		SCREW 9/64-40 L=8.5						1	
67		40148881		NUT 9/64-40						1	
68		40148882		SCREW 9/64-40 L=4.5						1	
69		40148842		SCREW 11/64-40 L=9						1	
70		40148884		SCREW 9/64-40 L=6.5						1	

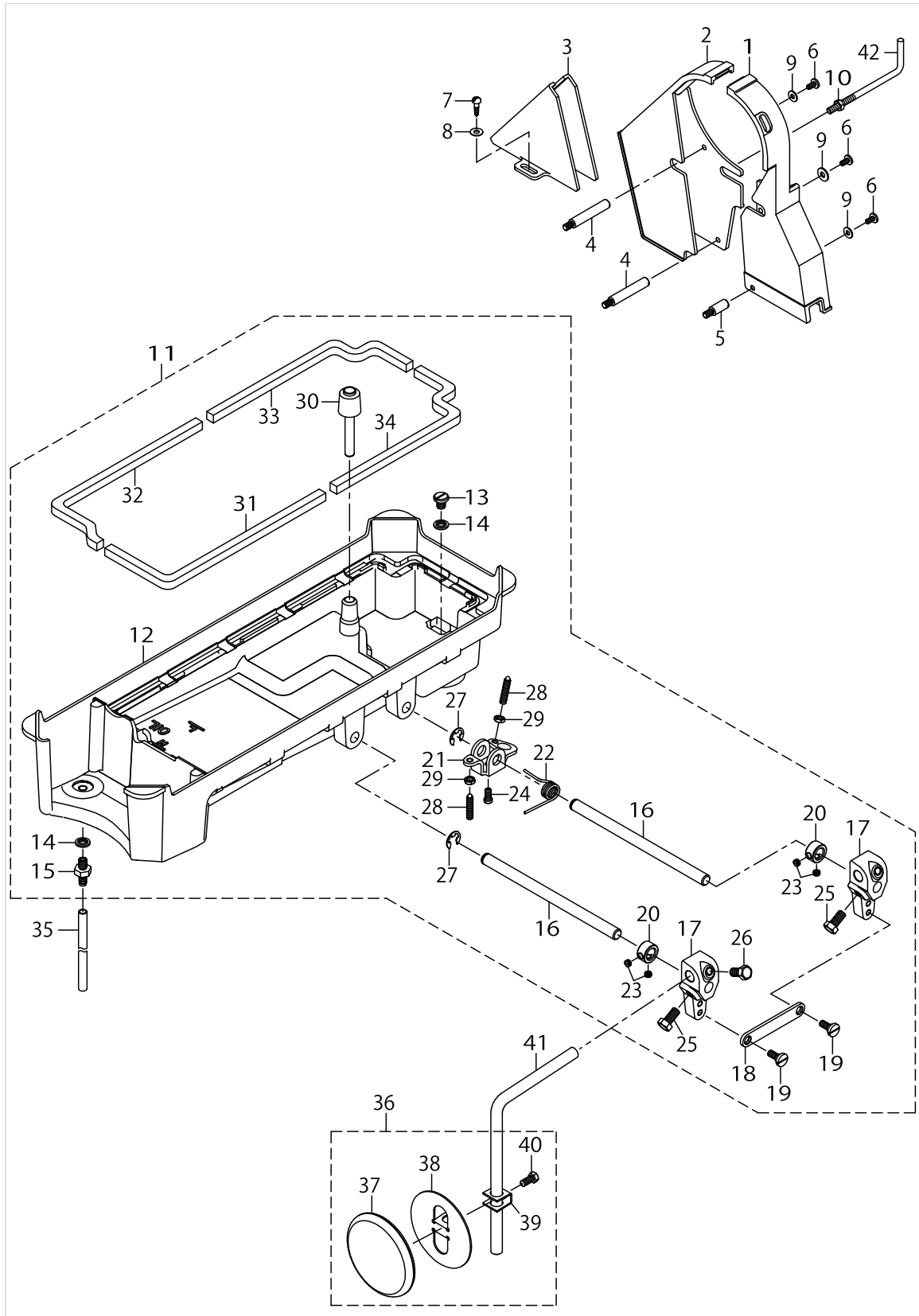
OIL LUBRICATION MECHANISM COMPONENTS



OIL LUBRICATION MECHANISM COMPONENTS

No.	Supply Code	Parts No.	Replacement	Parts name	Remarks	Choice	Step	Level	Cons	Qty	Rep. QTY
1		40148907		ROTARY PUMP ASM.						1	
2		40148908		ROTARY PUMP COM.				*		1	
3		40148909		HOUSING				*		1	
4		40148910		BUSHING				*		1	
5		40148911		CASING				*		1	
6		40148912		SPRING PIN 3.0X10				*		1	
7		40148913		ROTOR				*		1	
8		40148914		SLIDING BLOCK				*		1	
9		40148915		HOUSING PLATE				*		1	
10		40148916		OIL ADJUSTING PLATE				*		1	
11		40148917		FILTER SCREEN PLATE COM.				*		1	
12		40148918		SCREW 1/8-44 L=12				*		1	
13		40148918		SCREW 1/8-44 L=12				*		2	
14		40148609		SPRING LOCK WASHERS 3.6				*		1	
15		40148921		OIL PIPE ASM.						1	
16		40148922		OIL PIPE ASM.						1	
17		40148923		PLUNGER						1	
18		40148924		SPRING						1	
19		40148925		PLUNGER THRUST PLATE						1	
20		40148926		CONNECTING SCREW						1	
21		40148927		OIL TUBE HOLDER						1	
22		40148928		GASKET						1	
23		40148929		OIL ADJUSTING SCREW						1	
24		40148930		SPRING						1	
25		40148867		SCREW 11/64-40L=13						3	
26		40148731		SCREW 15/64-28 L=9						1	
27		40148933		FELT ASM.						1	
28		40148934		FELT HOLDER						1	
29		40148935		OIL WICK						1	
30		40148936		OIL WICK						1	
31		40148937		FELT						1	
32		40148938		OIL ADJUSTING PIN						1	
33		40148939		OIL ADJUSTING RUBBER						1	
34		40148940		O-RINGS 4						1	
35		40148941		SCREW						1	
36		40148942		FILTER						1	
37		40148620		NYLON CABLE TIE						1	
38		40148944		PIN						1	
39		40148945		HOSE CONNECTOR						1	
40		40148946		BALL						1	
41		40148947		CHECK VALVE						1	
42		40148948		OIL TUBE						1	
43		40148949		FELT						1	

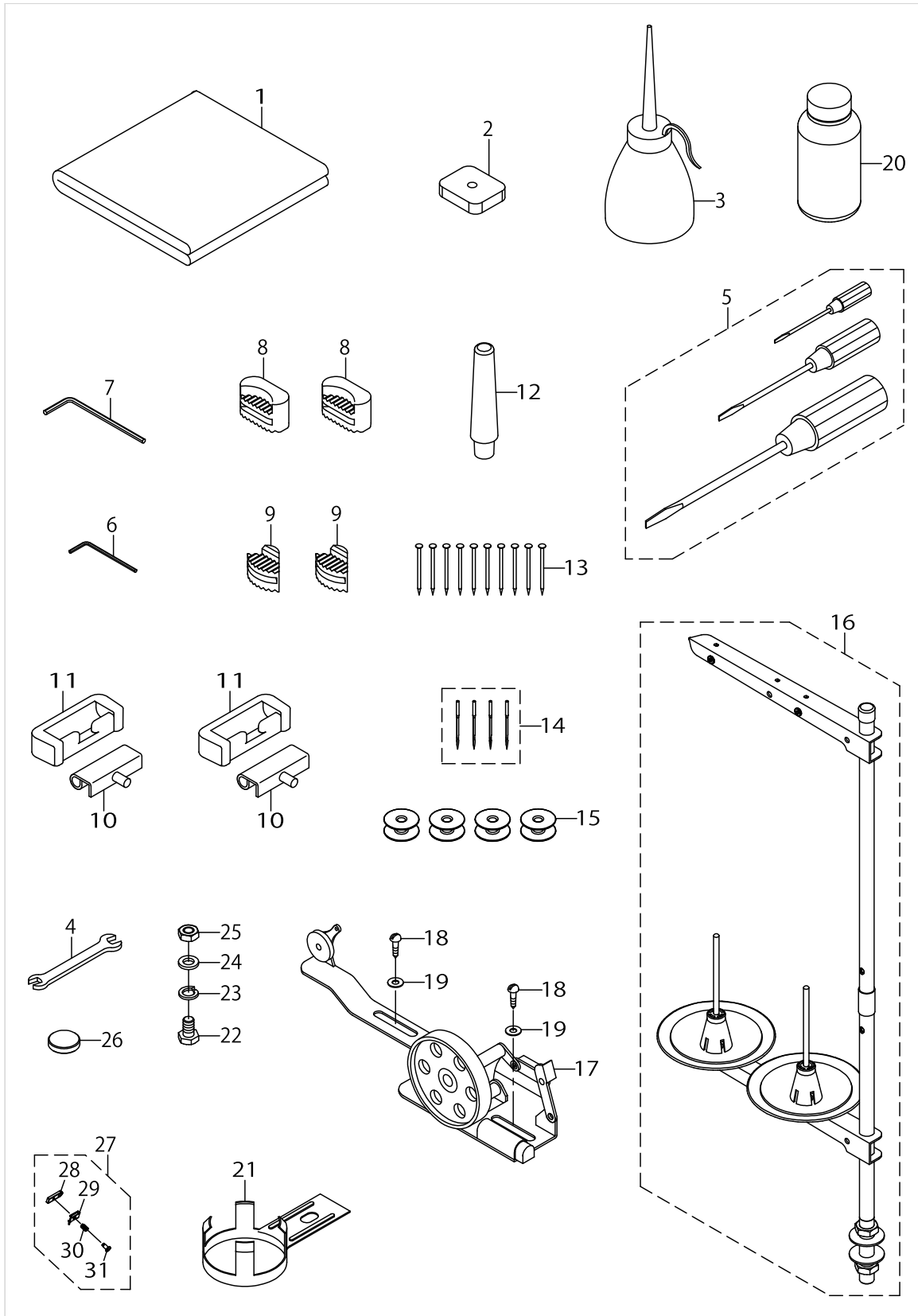
ACCESSORIES COMPONENTS (1)



ACCESSORIES COMPONENTS (1)

No.	Supply Code	Parts No.	Replacement	Parts name	Remarks	Choice	Step	Level	Cons	Qty	Rep. QTY
1		40148985		BELT COVER A						1	
2		40148986		BELT COVER B						1	
3		40148987		BELT COVER C						1	
4		40148988		BELT COVER STUD						2	
5		40148989		BELT COVER STUD						1	
6		40148990		SCREW 11/64-40 L=9						4	
7		40148967		WOOD SCREW D=4.5 L=18						2	
8		40148968		WASHER 12X0.7 D=5.2						2	
9		40148968		WASHER 12X0.7 D=5.2						4	
10		40148876		NUT 15/64-28						1	
11		40148995		OIL PAN ASM						1	
12		40148996		OIL PAN				*		1	
13		40148997		SCREW				*		1	
14		40148998		SPACER				*		2	
15		40148999		CONNECTING SCREW				*		1	
16		40149000		KNEE LIFTER SHAFT				*		2	
17		40149001		KNEE LIFTER CRANK				*		2	
18		40149002		KNEE LIFTER LINK				*		1	
19		40149003		HINGE SCREW 15/64-28 D=8 L=3.5				*		2	
20		40149004		THRUST COLLAR				*		2	
21		40149005		ROTATING LEVER				*		1	
22		40149006		SPRING				*		1	
23		40148874		SCREW 1/4-40 L=3.5				*		4	
24		40149008		SCREW 15/64-28 L=17				*		1	
25		40149009		SCREW 5/16-18				*		2	
26		40149009		SCREW 5/16-18				*		1	
27		40149011		RETAINING RINGS-E TYPE 5				*		2	
28		40149012		SCREW 15/64-28 L=28				*		2	
29		40148611		NUT 15/64-28				*		2	
30		40149014		KNEE PRESS LIFTER ROD ASM.				*		1	
31		40149021		PACKING				*		1	
32		40149022		PACKING				*		1	
33		40149023		PACKING				*		1	
34		40149024		PACKING				*		1	
35		40149015		OIL TUBE						1	
36		40149026		KNEE GUARD						1	
37		40149017		KNEE GUARD				*		1	
38		40149018		KNEE PLATE				*		1	
39		40149019		RETAINER				*		1	
40		40149020		SCREW 15/64-28				*		1	
41		40149016		KNEE LEVER ROD						1	
42		40149027		SYNCHRONIZER HOLDER STUD						1	

ACCESSORIES COMPONENTS (2)



ACCESSORIES COMPONENTS (2)

No.	Supply Code	Parts No.	Replacement	Parts name	Remarks	Choice	Step	Level	Cons	Qty	Rep. QTY
1		40148950		COVER						1	
2		40148979		FELT						1	
3		40148952		OILER						1	
4		40148976		WRENCH 9X10						1	
5		40148954		SCREW DRIVER (SET)						1	
6		40148956		HEXAGONAL WRENCH KEY (2MM)						1	
7		40148978		HEXAGONAL WRENCH KEY (3MM)						1	
8		40148957		VIBRATION PREVENTING RUBBER						2	
9		40148958		VIBRATION PREVENTING RUBBER						2	
10		40148959		HEAD HINGE						2	
11		40148960		RUBBER HINGE						2	
12		40148961		HEAD REST WOOD						1	
13		40148962		NAIL						10	
14		40148539		NEEDLE DP X 17-22						1	
15		40148809		BOBBIN						4	
16		40148965		THREAD STAND						1	
17		40148966		BOBBIN WINDER						1	
18		40148967		WOOD SCREW L=18						2	
19		40148968		WASHER 12X0.7 D=5.2						2	
20		40148969		OILER						1	
21		40148970		OILER BRACKET						1	
22		40148971		SCREW M6X1.0 L=12						1	
23		40148391		SPRING LOCK WASHERS						1	
24		40148973		WASHER 13X1 D=6.5						1	
25		40148974		NUT M6X1.0						1	
26		40148975		MAGNET						1	
27		40148980		THREAD GUIDE ASM.						1	
28		40148401		THREAD GUIDE				*		1	
29		40148402		THREAD GUIDE PRESSURE PLATE				*		1	
30		40148983		SPRING				*		1	
31		40148404		HINGE SCREW				*		1	

HOW TO MAKE USE OF THIS PARTS LIST

1.As to "#01" and "#02" refer to the "Note" given at the bottom of the respective pages.

2.Codes on the "Qty" column

- Each numeral indicates the number of parts required.
- "0.1" and "2.5" indicate the length (in meters) of the respective parts.

3.Parentheses mean that the corresponding part is a subpart that constructs an assembly part.

4.Dotted lines on the Figures indicate assembly parts.

1. リストページの# 0 1、# 0 2の印は、ページ下の"注記"の説明を参照下さい。
2. 数量欄の数字は、個数を表し、0. 1、2. 5等の数値は、長さ（単位メートル）を表します。
3. 数量欄の（ ）は、組部品を構成している子部品であることを意味します。
4. イラストページの-----枠は、組構成であることを意味します。

NUMERICAL INDEX OF PARTS

PART NO	PAGE	REF NO.	PART NO	PAGE	REF NO.	PART NO	PAGE	REF NO.
40148388	2	1	40148452	2	42	40148495	6	23
40148389	2	2	40148453	2	43	40148496	6	24
40148390	2	3	40148455	2	45	40148497	6	25
40148391	2	4	40148457	4	87	40148498	6	26
40148391	32	23	40148457	20	78	40148499	6	27
40148392	2	5	40148458	4	48	40148500	6	28
40148393	2	6	40148459	4	49	40148500	12	54
40148394	2	7	40148460	4	50	40148501	6	30
40148395	2	8	40148461	4	52	40148501	22	13
40148396	2	9	40148463	4	53	40148503	6	31
40148397	2	10	40148464	4	55	40148505	6	33
40148398	2	11	40148466	4	56	40148506	6	34
40148399	2	12	40148467	4	57	40148507	6	35
40148401	32	28	40148468	4	58	40148508	6	36
40148402	32	29	40148468	12	66	40148509	6	37
40148404	32	31	40148469	4	59	40148511	6	39
40148405	2	18	40148470	4	60	40148512	6	38
40148406	2	19	40148471	4	61	40148521	8	25
40148407	2	20	40148472	4	62	40148521	20	69
40148408	2	21	40148473	6	1	40148521	24	50
40148409	2	22	40148474	6	2	40148521	26	50
40148410	2	23	40148475	6	3	40148522	4	88
40148412	2	25	40148476	6	4	40148523	4	89
40148413	2	26	40148477	6	5	40148524	4	90
40148414	2	44	40148478	6	6	40148525	12	90
40148415	2	28	40148479	6	7	40148528	8	1
40148416	2	46	40148480	6	8	40148529	8	2
40148417	2	32	40148481	6	9	40148530	8	3
40148418	2	31	40148482	6	10	40148531	8	4
40148418	16	20	40148483	6	11	40148532	8	5
40148420	2	33	40148484	6	12	40148533	8	6
40148421	2	34	40148485	6	13	40148534	8	7
40148422	2	35	40148486	6	14	40148535	8	8
40148423	2	36	40148486	14	16	40148536	8	9
40148424	2	37	40148487	6	15	40148537	8	10
40148425	2	38	40148488	6	16	40148538	8	11
40148426	2	39	40148489	6	22	40148539	8	12
40148427	2	40	40148490	6	21	40148539	32	14
40148428	2	24	40148490	10	88	40148540	8	13
40148429	2	17	40148490	12	88	40148542	8	15
40148430	2	16	40148490	16	31	40148543	8	16
40148431	2	15	40148490	18	10	40148544	8	17
40148432	2	14	40148491	6	32	40148545	8	18
40148433	2	13	40148491	26	59	40148546	8	19
40148451	2	41	40148492	6	20	40148547	8	20

NUMERICAL INDEX OF PARTS

PART NO	PAGE	REF NO.	PART NO	PAGE	REF NO.	PART NO	PAGE	REF NO.
40148547	16	29	40148588	10	36	40148635	12	82
40148547	20	56	40148589	10	37	40148636	12	83
40148547	22	16	40148590	10	38	40148637	12	84
40148548	8	21	40148591	10	39	40148638	12	85
40148549	8	22	40148592	10	40	40148639	12	86
40148550	8	23	40148593	10	41	40148642	12	89
40148551	8	24	40148594	10	42	40148643	14	1
40148553	10	1	40148595	10	43	40148644	14	2
40148554	10	2	40148596	10	44	40148645	14	3
40148555	10	3	40148597	10	45	40148646	14	4
40148556	10	4	40148598	10	46	40148647	14	5
40148557	10	5	40148599	12	47	40148648	14	6
40148558	10	6	40148600	12	48	40148649	14	7
40148559	10	7	40148601	12	49	40148650	14	8
40148560	10	8	40148602	12	55	40148651	14	9
40148561	10	9	40148602	14	17	40148652	14	10
40148562	10	10	40148603	12	51	40148653	14	11
40148563	10	11	40148605	12	53	40148654	14	12
40148564	10	12	40148608	12	56	40148655	14	13
40148565	10	13	40148609	12	57	40148656	14	14
40148566	10	14	40148609	28	14	40148657	14	15
40148566	16	2	40148610	12	58	40148660	14	34
40148566	18	42	40148611	12	59	40148661	14	20
40148567	10	87	40148611	30	29	40148664	14	22
40148567	12	87	40148612	12	63	40148665	14	23
40148567	16	27	40148612	14	21	40148666	14	24
40148568	10	16	40148613	12	62	40148667	14	25
40148569	10	17	40148613	16	35	40148668	14	26
40148570	10	79	40148613	20	77	40148669	14	27
40148570	12	79	40148616	12	64	40148670	14	28
40148572	10	20	40148617	12	65	40148671	14	29
40148573	10	22	40148619	12	67	40148672	14	30
40148575	10	23	40148620	28	37	40148673	14	31
40148575	16	19	40148621	12	68	40148674	14	32
40148576	10	52	40148622	12	69	40148675	14	33
40148576	12	52	40148623	12	70	40148677	14	35
40148579	10	27	40148624	12	71	40148678	14	36
40148580	10	28	40148625	12	72	40148679	14	37
40148581	10	29	40148626	12	73	40148680	16	1
40148582	10	30	40148627	12	74	40148682	16	3
40148583	10	31	40148628	12	75	40148684	16	5
40148584	10	32	40148629	12	76	40148685	16	6
40148585	10	33	40148630	12	77	40148686	16	7
40148586	10	34	40148633	12	81	40148687	16	8
40148587	10	35	40148633	16	15	40148688	16	9

NUMERICAL INDEX OF PARTS

PART NO	PAGE	REF NO.	PART NO	PAGE	REF NO.	PART NO	PAGE	REF NO.
40148689	16	10	40148745	18	31	40148794	20	79
40148690	16	11	40148746	18	32	40148794	24	17
40148691	16	12	40148747	18	33	40148795	20	80
40148692	16	13	40148748	18	34	40148796	20	81
40148693	16	14	40148749	18	35	40148797	20	82
40148696	16	33	40148750	18	36	40148798	20	83
40148697	16	32	40148751	18	37	40148799	22	1
40148701	16	22	40148752	18	38	40148800	22	2
40148702	16	23	40148753	18	39	40148801	22	3
40148703	16	24	40148754	18	40	40148802	22	4
40148704	16	25	40148755	18	2	40148803	22	5
40148705	16	26	40148756	18	3	40148804	22	6
40148707	16	28	40148757	18	43	40148805	22	7
40148709	16	30	40148758	18	44	40148806	22	8
40148713	16	34	40148759	18	45	40148807	22	9
40148715	18	1	40148760	18	46	40148808	22	10
40148716	18	41	40148761	20	47	40148809	22	11
40148718	18	4	40148762	20	48	40148809	32	15
40148719	18	5	40148763	20	49	40148810	22	12
40148720	18	6	40148764	20	50	40148812	22	14
40148721	18	7	40148765	20	51	40148815	24	1
40148722	18	8	40148766	20	52	40148816	24	2
40148723	18	9	40148767	20	53	40148817	24	3
40148725	18	11	40148768	20	54	40148818	24	4
40148726	18	12	40148769	20	55	40148819	24	5
40148727	18	13	40148771	20	57	40148820	24	6
40148728	18	14	40148772	20	58	40148821	24	7
40148729	18	15	40148772	22	15	40148823	4	86
40148730	18	16	40148773	20	59	40148823	24	9
40148731	18	17	40148774	20	60	40148824	24	10
40148731	28	26	40148776	20	61	40148826	24	12
40148732	18	18	40148777	20	62	40148827	24	57
40148733	18	19	40148778	20	63	40148827	26	57
40148734	18	20	40148780	20	65	40148829	24	15
40148735	18	21	40148781	20	66	40148830	24	16
40148736	18	22	40148782	20	67	40148833	24	19
40148737	18	23	40148783	20	68	40148834	24	20
40148738	18	24	40148785	20	70	40148835	24	21
40148739	18	25	40148786	20	71	40148836	24	22
40148740	18	26	40148787	20	72	40148837	24	23
40148741	18	27	40148788	20	73	40148838	24	24
40148742	18	28	40148789	20	74	40148839	24	25
40148742	24	11	40148790	20	75	40148840	24	26
40148743	18	29	40148791	20	76	40148841	24	27
40148744	18	30	40148791	24	8	40148842	24	69

NUMERICAL INDEX OF PARTS

PART NO	PAGE	REF NO.	PART NO	PAGE	REF NO.	PART NO	PAGE	REF NO.
40148842	26	69	40148889	4	66	40148938	28	32
40148843	24	29	40148890	4	67	40148939	28	33
40148844	24	30	40148891	4	68	40148940	28	34
40148845	24	31	40148892	4	69	40148941	28	35
40148846	24	32	40148893	4	70	40148942	28	36
40148847	24	33	40148894	4	71	40148944	28	38
40148848	24	34	40148895	4	72	40148945	28	39
40148849	24	35	40148896	4	73	40148946	28	40
40148850	24	36	40148897	4	74	40148947	28	41
40148851	24	37	40148898	4	75	40148948	28	42
40148852	24	38	40148899	4	76	40148949	28	43
40148853	24	39	40148900	4	77	40148950	32	1
40148854	24	40	40148901	4	78	40148952	32	3
40148855	24	41	40148902	4	79	40148954	32	5
40148856	24	42	40148903	4	80	40148956	32	6
40148857	24	43	40148904	4	81	40148957	32	8
40148858	24	44	40148905	4	82	40148958	32	9
40148859	24	45	40148906	4	83	40148959	32	10
40148860	26	46	40148907	28	1	40148960	32	11
40148861	26	47	40148908	28	2	40148961	32	12
40148862	26	48	40148909	28	3	40148962	32	13
40148863	26	49	40148910	28	4	40148965	32	16
40148865	26	51	40148911	28	5	40148966	32	17
40148866	26	52	40148912	28	6	40148967	30	7
40148867	26	53	40148913	28	7	40148967	32	18
40148867	28	25	40148914	28	8	40148968	30	9
40148868	26	54	40148915	28	9	40148968	32	19
40148869	26	55	40148916	28	10	40148969	32	20
40148870	26	56	40148917	28	11	40148970	32	21
40148872	26	58	40148918	28	13	40148971	32	22
40148874	26	60	40148921	28	15	40148973	32	24
40148874	30	23	40148922	28	16	40148974	32	25
40148875	26	61	40148923	28	17	40148975	32	26
40148876	26	62	40148924	28	18	40148976	32	4
40148876	30	10	40148925	28	19	40148978	32	7
40148877	26	63	40148926	28	20	40148979	32	2
40148878	26	64	40148927	28	21	40148980	32	27
40148879	26	65	40148928	28	22	40148983	32	30
40148880	26	66	40148929	28	23	40148985	30	1
40148881	26	67	40148930	28	24	40148986	30	2
40148882	26	68	40148933	28	27	40148987	30	3
40148884	26	70	40148934	28	28	40148988	4	84
40148886	4	63	40148935	28	29	40148988	30	4
40148887	4	64	40148936	28	30	40148989	30	5
40148888	4	65	40148937	28	31	40148990	30	6

NUMERICAL INDEX OF PARTS

PART NO	PAGE	REF NO.
40148994	4	85
40148995	30	11
40148996	30	12
40148997	30	13
40148998	30	14
40148999	30	15
40149000	30	16
40149001	30	17
40149002	30	18
40149003	30	19
40149004	30	20
40149005	30	21
40149006	30	22
40149008	30	24
40149009	30	26
40149011	30	27
40149012	30	28
40149014	30	30
40149015	30	35
40149016	30	41
40149017	30	37
40149018	30	38
40149019	30	39
40149020	30	40
40149021	30	31
40149022	30	32
40149023	30	33
40149024	30	34
40149026	30	36
40149027	30	42