

MODEL : MF-7900D-H24

List No : 1667-00

PARTS LIST

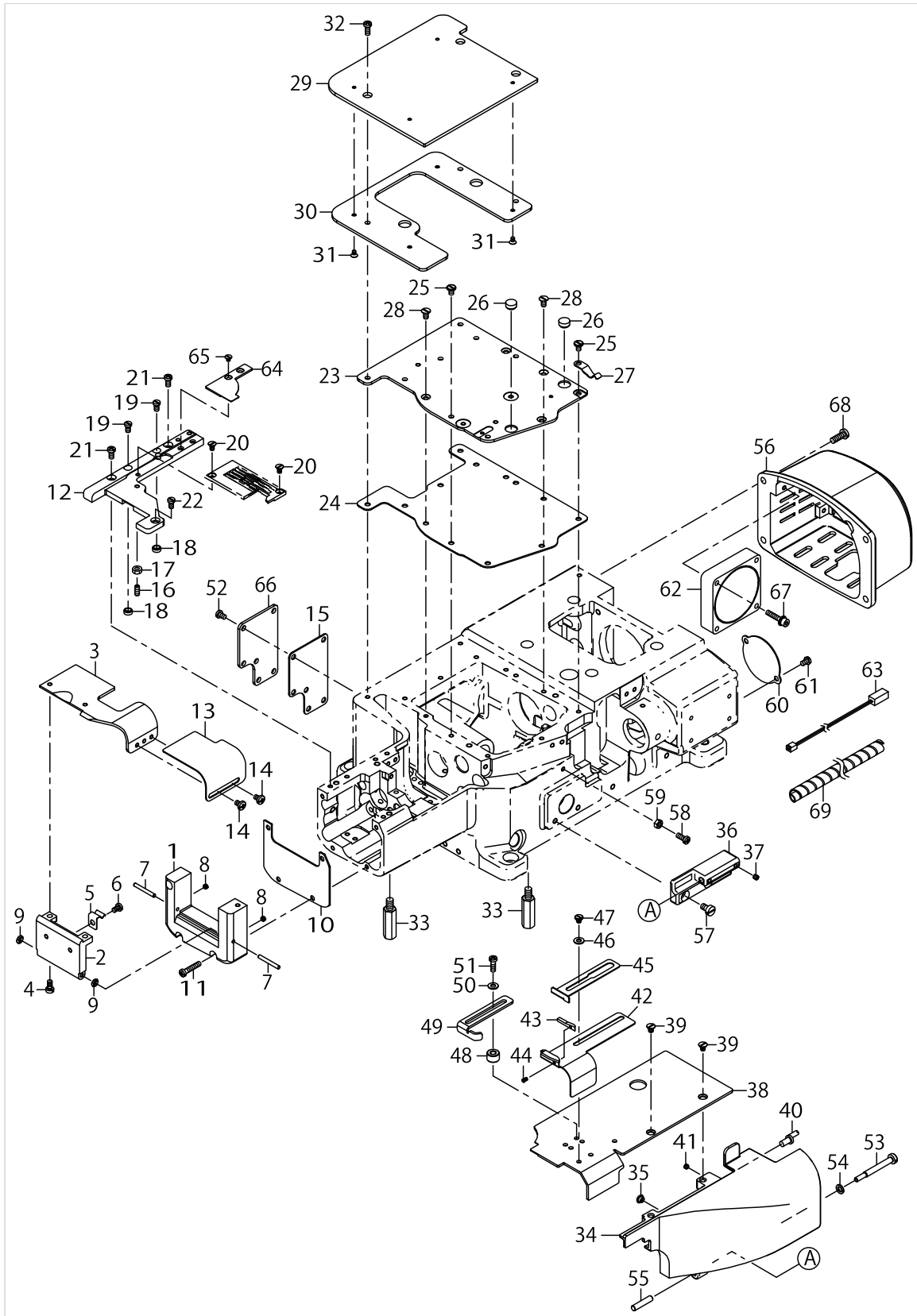
Published:05/12/2017

CONTENTS

MISCELLANEOUS COVER COMPONENTS.....	1
MISCELLANEOUS COVER COMPONENTS (FOR H24/UT59).....	5
THREAD TAKE-UP LEVER COMPONENTS.....	9
FABRIC TRIMMER LEFT COMPONENTS.....	13
NEEDLE BAR & PRESSER COMPONENTS.....	17
LOWER THREAD COMPONENTS	21
GAUGE COMPONENTS.....	23
GAUGE COMPONENTS (FOR H24/UT59).....	27
HOW TO MAKE USE OF THIS PARTS LIST	31

1667-00_10

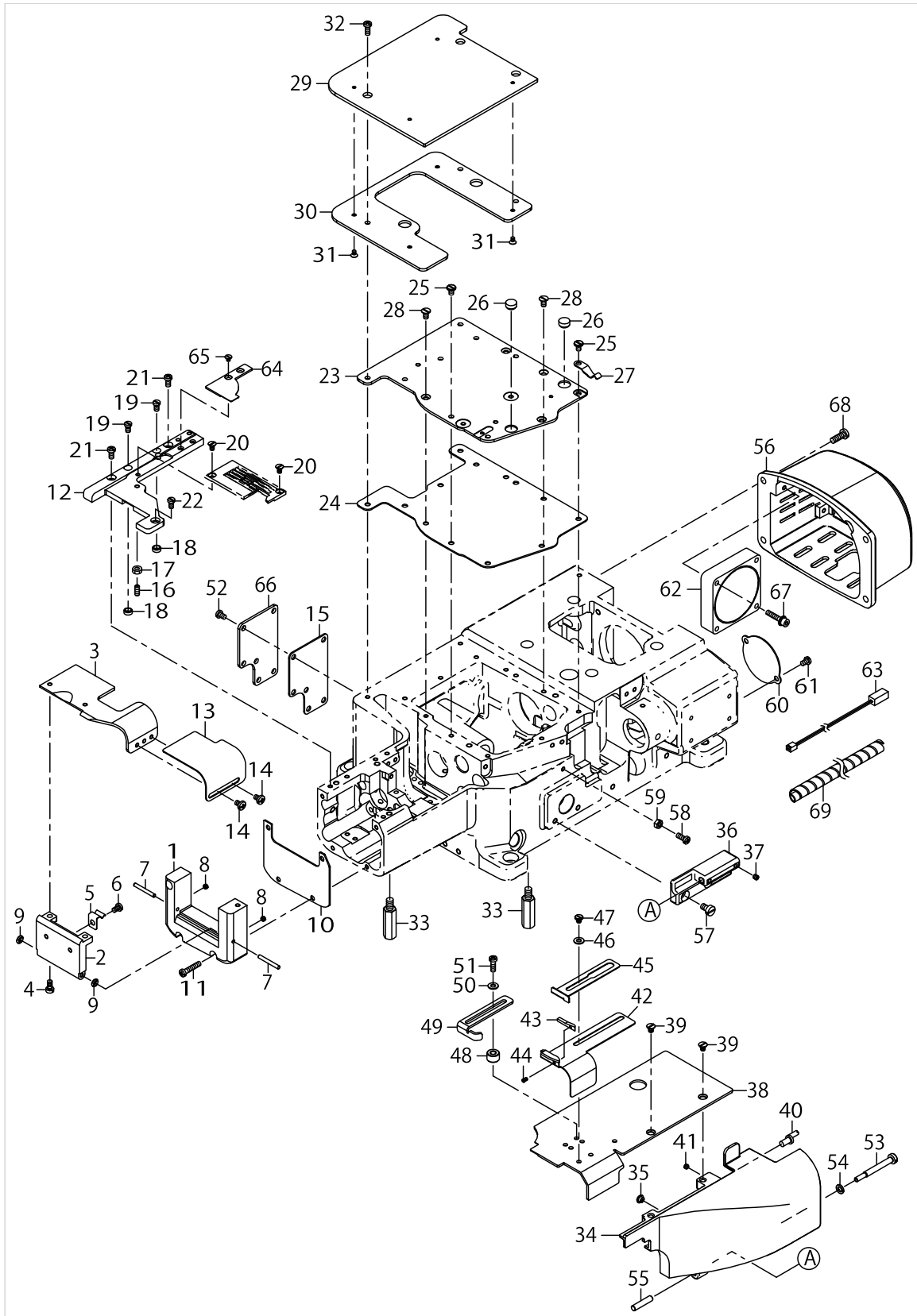
MISCELLANEOUS COVER COMPONENTS



MISCELLANEOUS COVER COMPONENTS

No.	Supply Code	Parts No.	Replacement	Parts name	Remarks	Choice	Step	Level	Cons	Qty	Rep. QTY
1		70001866		CYLINDER_COVER_H22						1	
2		70001655		SIDE_COVER_BOTTOM						1	
3		40155632		SIDE_COVER_UPPER_H24						1	
4		SM6040800SP		SCREW						2	
5		13401906		LATCH SPRING 2						1	
6		SM4040655SP		SCREW M4 L=6						1	
7		PH0300252C0		PARALLEL PIN TYPE B 3X25						2	
8		SM8040360TP		SCREW						2	
9		RO037180100		RUBBER RING						2	
10		70001661		GASKET						1	
11		SM4042055SP		SCREW						3	
12		70001865		THROAT_PLATE_SUPPORT_H22						1	
13		40155633		SIDE_COVER						1	
14		SM5040655SN		SCREW						2	
15		70001643		COVER_FOR_FEED_- ADJUST_PACKING						1	
16		SM8041012TP		SCREW M4 L=10						1	
17		NM6040000SN		NUT M4						1	
18		40082196		ADJUSTING_COLLAR						2	
19		SM6040750TP		SCREW M4 L=7						2	
20		13302203		SCREW						2	
21		SM4040855SP		SCREW						2	
22		SM6040750TP		SCREW M4 L=7						1	
23		70001662		COVER_PLATE						1	
24		70001663		GASKET_B						1	
25		SM6040800SP		SCREW						6	
26		TA0980502R0		RUBBER PLUG						2	
27		13402003		LATCH SPRING						1	
28		SM1040860SP		SCREW						4	
29		70001668		CLOTH_PLATE_REAR						1	
30		70001670		CLOTH_PLATE_REAR_LOWER						1	
31		SM1030501SN		SCREW M3 L=5						4	
32		SM4041055SP		SCREW						3	
33		13301809		SUPPORT STUD						4	
34		40155634		SWING_DOWN_COVER						1	
35		13302302		RUBBER BUMPER						1	
36		70001648		HINGE						1	
37		SM8040412TP		SET SCREW M4 L=4						2	
38		40155636		CLOTH_PLATE_FRONT_H24						1	
39		SM1040800SP		SCREW						2	
40		13402706		PIN FOR COVER						1	
41		SM8040360TP		SCREW						1	
42		40155637		HEM_GUIDE_LEFT						1	
43		40155638		HEM_GUIDE_BLOCK						1	
44		SM6850350TP		FLAT SCREW						1	
45		40155639		HEM_GUIDE_RIGHT						1	
46		WP0430801SC		WASHER M4						1	

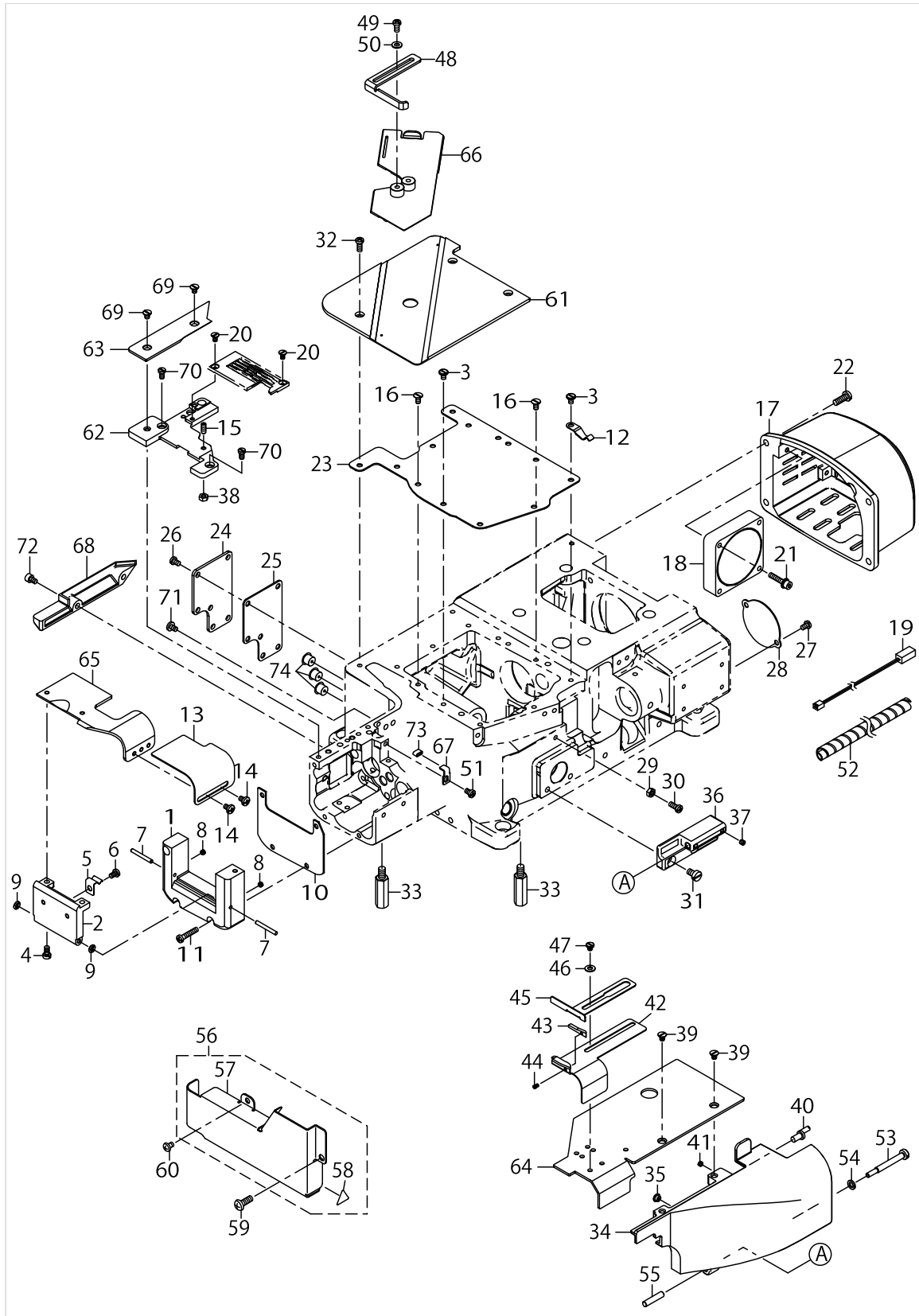
MISCELLANEOUS COVER COMPONENTS



MISCELLANEOUS COVER COMPONENTS

No.	Supply Code	Parts No.	Replacement	Parts name	Remarks	Choice	Step	Level	Cons	Qty	Rep. QTY
47		SM6040450TP		SCREW M4 L=4						2	
48		70001873		HEM_GUIDE_BASE						2	
49		70001874		HEM_GUIDE						1	
50		WP0430801SC		WASHER M4						2	
51		SM4041255SP		SCREW M4 L=12						2	
52		SM4040855SP		SCREW						6	
53		70001414		SCREW						1	
54		WS0510002KP		SPRING WASHER 5.1X9.2X1.3						1	
55		13409800		DIFF_LINK_PIN						1	
56		70001413		MOTOR_COVER						1	
57		SM6050800SP		SCREW M5 L=8						2	
58		SM4041055SP		SCREW						1	
59		NM6040000SN		NUT M4						1	
60		70001673		LOOPER_THD_COVER						1	
61		SM4040655SP		SCREW M4 L=6						2	
62		40119461		HEAD FAN MOTOR A ASSY						1	
63		70001457		FAN_CORD_ASSY						1	
64		70001895		THROAT_PLATE_SUPPORT_COVER_S						1	
65		SM1030400SP		SCREW M3 L=4						2	
66		70001642		COVER_FOR_FEED_ADJUST						1	
67		SL6042092TN		SCREW M4 L=20						2	
68		SM4051455SP		SCREW M5 L=14						4	
69		HX00314000D		SPIRAL TUBE						.7	

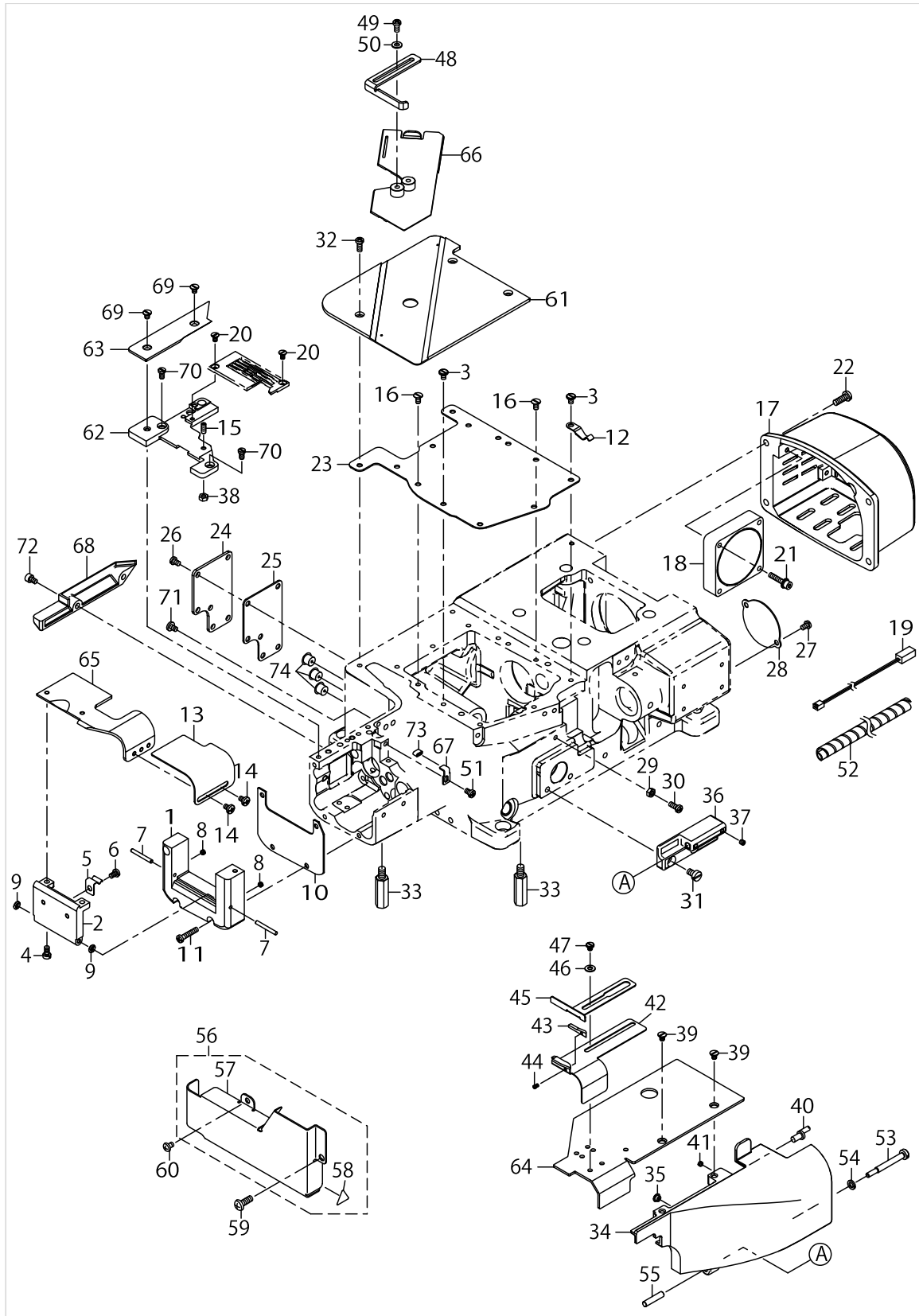
MISCELLANEOUS COVER COMPONENTS (FOR H24/UT59)



MISCELLANEOUS COVER COMPONENTS (FOR H24/UT59)

No.	Supply Code	Parts No.	Replacement	Parts name	Remarks	Choice	Step	Level	Cons	Qty	Rep. QTY
1		70001866		CYLINDER_COVER_H22						1	
2		70001655		SIDE_COVER_BOTTOM						1	
3		SM6040800SP		SCREW						6	
4		SM6040800SP		SCREW						2	
5		13401906		LATCH SPRING 2						1	
6		SM4040655SP		SCREW M4 L=6						1	
7		PH0300252C0		PARALLEL PIN TYPE B 3X25						2	
8		SM8040360TP		SCREW						2	
9		RO037180100		RUBBER RING						2	
10		70001661		GASKET						1	
11		SM4042055SP		SCREW						3	
12		13402003		LATCH SPRING						1	
13		40155633		SIDE_COVER						1	
14		SM5040655SN		SCREW						2	
15		SM8041012TP		SCREW M4 L=10						1	
16		SM1040860SP		SCREW						4	
17		70001413		MOTOR_COVER						1	
18		40119461		HEAD FAN MOTOR A ASSY						1	
19		70001457		FAN_CORD_ASSY						1	
20		13302203		SCREW						2	
21		SL6042092TN		SCREW M4 L=20						2	
22		SM4051455SP		SCREW M5 L=14						4	
23		70001663		GASKET_B						1	
24		70001642		COVER_FOR_FEED_ADJUST						1	
25		70001643		COVER_FOR_FEED_- ADJUST_PACKING						1	
26		SM4040855SP		SCREW						6	
27		SM4040655SP		SCREW M4 L=6						2	
28		70001673		LOOPER_THD_COVER						1	
29		NM6040000SN		NUT M4						1	
30		SM4041055SP		SCREW						1	
31		SM6050800SP		SCREW M5 L=8						2	
32		SM4041055SP		SCREW						3	
33		13301809		SUPPORT STUD						4	
34		40155634		SWING_DOWN_COVER						1	
35		13302302		RUBBER BUMPER						1	
36		70001648		HINGE						1	
37		SM8040412TP		SET SCREW M4 L=4						2	
38		NM6040000SN		NUT M4						1	
39		SM1040800SP		SCREW						2	
40		13402706		PIN FOR COVER						1	
41		SM8040360TP		SCREW						1	
42		40155637		HEM_GUIDE_LEFT						1	
43		40155638		HEM_GUIDE_BLOCK						1	
44		SM6850350TP		FLAT SCREW						1	
45		40155661		HEM_GUIDE_RIGHT						1	
46		WP0430801SC		WASHER M4						1	

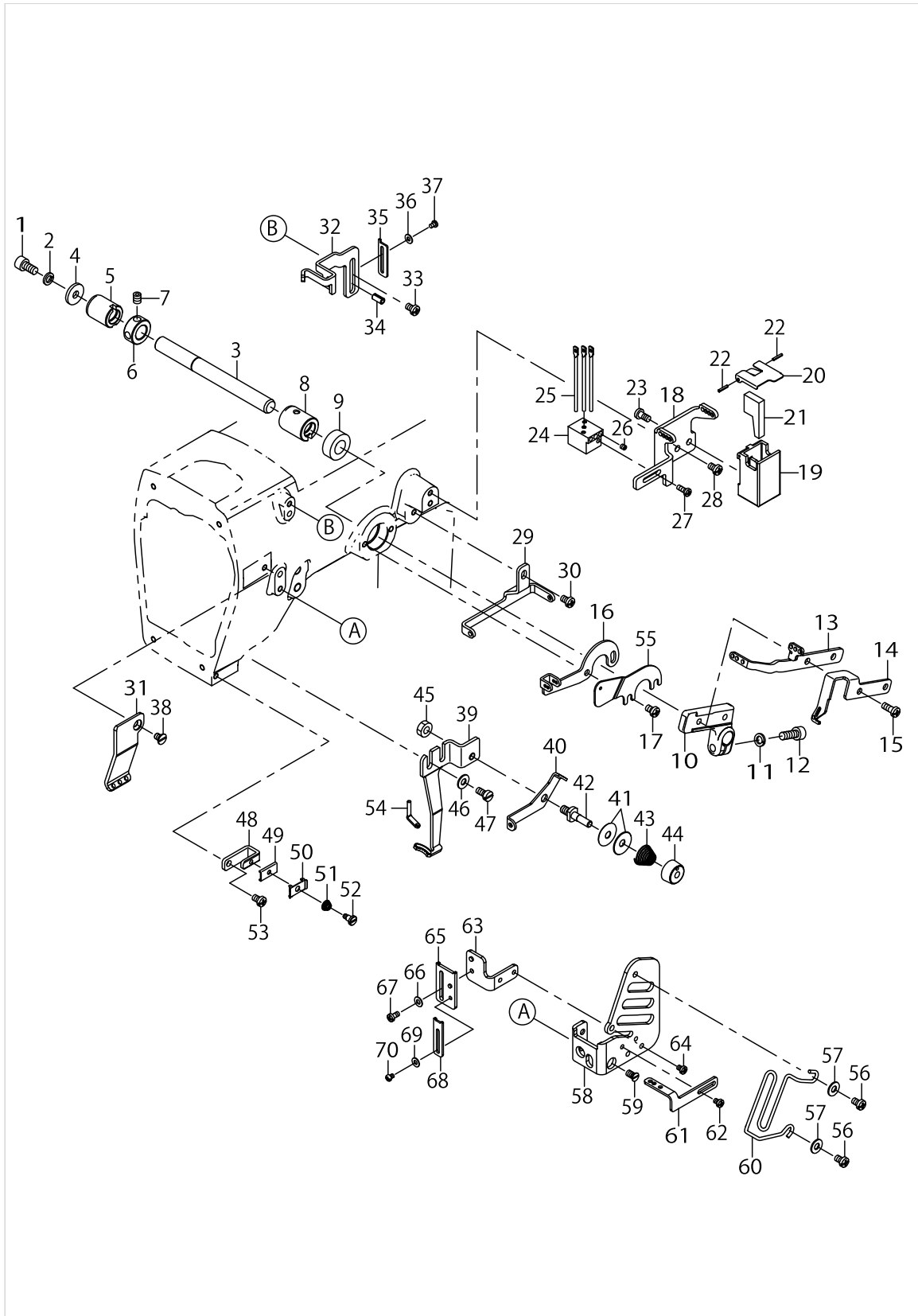
MISCELLANEOUS COVER COMPONENTS (FOR H24/UT59)



MISCELLANEOUS COVER COMPONENTS (FOR H24/UT59)

No.	Supply Code	Parts No.	Replacement	Parts name	Remarks	Choice	Step	Level	Cons	Qty	Rep. QTY
47		SM6040450TP		SCREW M4 L=4						2	
48		40040255		HEM_GUIDE						1	
49		SM4040855SP		SCREW						2	
50		WP0430801SC		WASHER M4						2	
51		SM4040655SP		SCREW M4 L=6						1	
52		HX00314000D		SPIRAL TUBE						.7	
53		70001414		SCREW						1	
54		WS0510002KP		SPRING WASHER 5.1X9.2X1.3						1	
55		13409800		DIFF_LINK_PIN						1	
56		40030059		SS_COVER_ASSY						1	
57		40019868		SS_COVER				*		1	
58		CM300200001		ATTENTION SEAL				*		1	
59		SM4051455SP		SCREW M5 L=14						1	
60		SM4040655SP		SCREW M4 L=6						1	
61		70003355		CLOTH_PLATE_ASSY						1	
62		70003432		THROAT_PLATE_SUPPORT_H22						1	
63		70003433		REAR_COVER_H22						1	
64		40155660		CLOTH_PLATE_FRONT_H24/UT59						1	
65		40155632		SIDE_COVER_UPPER_H24						1	
66		70004247		SLIDE_COVER_ASSY						1	
67		70003456		SLIDE_COVER_SUPPORT						1	
68		70003457		UNDER_COVER_H22						1	
69		SM1040650TP		SCREW						2	
70		SM6040750TP		SCREW M4 L=7						2	
71		SM5040655SN		SCREW						2	
72		SM6040602TN		BOLT						2	
73		BT0600402EA		OIL TUBE						.01	
74		22901409		NEEDLE BAR UPPER BUSH CAP						3	

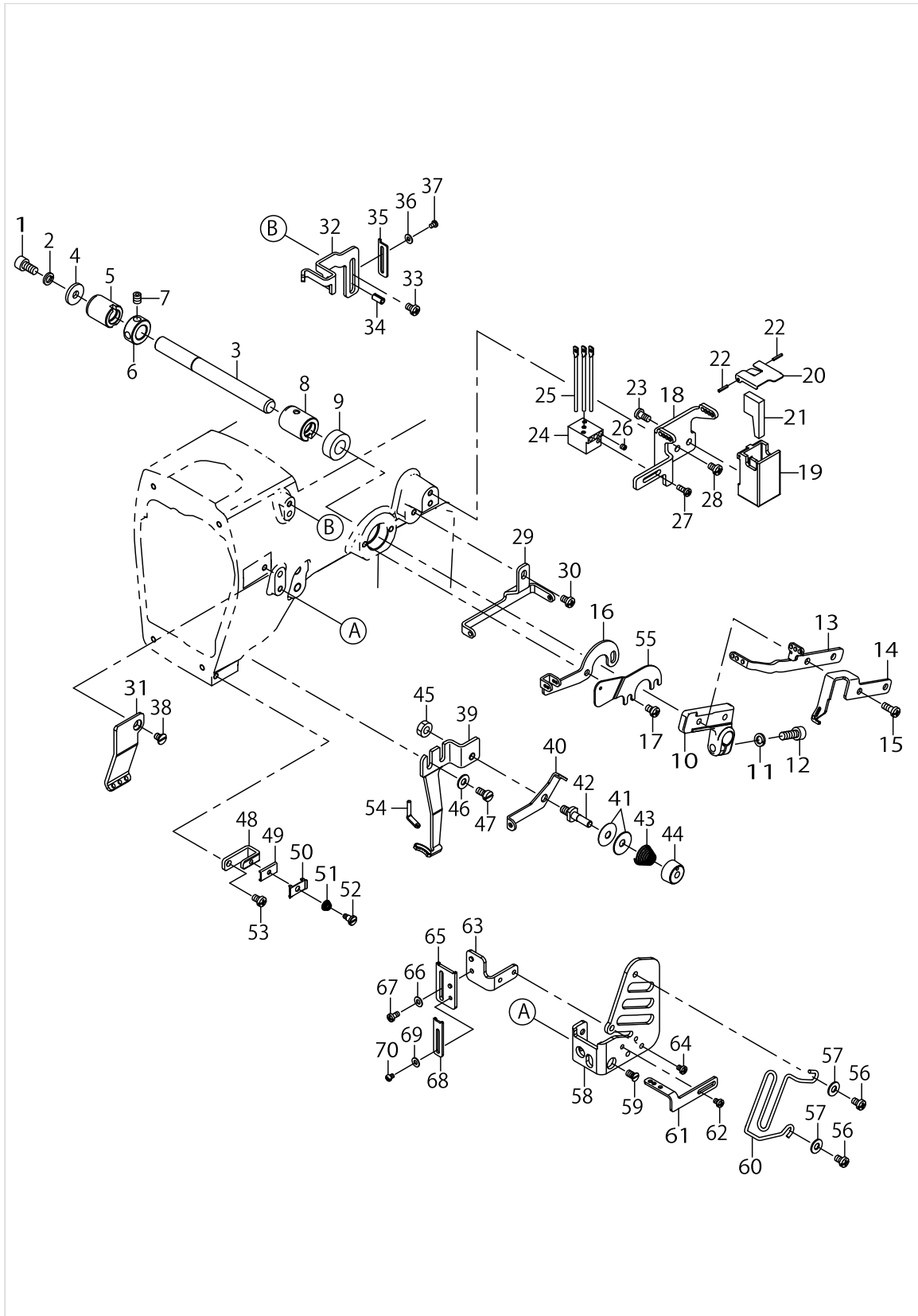
THREAD TAKE-UP LEVER COMPONENTS



THREAD TAKE-UP LEVER COMPONENTS

No.	Supply Code	Parts No.	Replacement	Parts name	Remarks	Choice	Step	Level	Cons	Qty	Rep. QTY
1		SM6051002TP		SCREW M5X0.8 L=10						1	
2		WS0510002KP		SPRING WASHER 5.1X9.2X1.3						1	
3		70001537		SHAFT						1	
4		WP0522016SH		WASHER						1	
5		13324504		BUSHING REAR						1	
6		CS1000881TP		THRUST COLLAR						1	
7		SM8050612TP		SCREW M5X6						2	
8		13324603		BUSHING FRONT						1	
9		23612609		FEED CHANGING SHAFT OIL SEAL						1	
10		13324702		HOLDER TAKE UP EYELET						1	
11		WS0510002KN		SPRING WASHER M5						1	
12		SM6051402TP		SCREW M5X0.8 L=14						1	
13		40154164		NDL_THREAD_TAKE_UP						1	
14		13324900		UPPER LOOPER THREAD TAKE UP						1	
15		SM4041055SP		SCREW						2	
16		13325006		THREAD GUIDE						1	
17		SM4040655SP		SCREW M4 L=6						2	
18		70001540		THREAD_TENSION_GUIDE						1	
19		13348008		TANK						1	
20		70001546		SILICONE_OIL_TANK_COVER						1	
21		B9214850000		HEAT REMOVING FELT						1	
22		PS0150082KH		SPRING PIN						2	
23		ST4040851SN		TAPPING SCREW M4X8						2	
24		40154163		HOLDER						1	
25	R	30391601	40074316	NEEDLE THREAD EYELET						3	1.00
26		SM8030312TP		SCREW M3 L=3						3	
27		SM4030855SN		SCREW M3 L=8.0						1	
28		SM4040655SP		SCREW M4 L=6						2	
29		70001541		THREAD_GUIDE						1	
30		SM4040655SP		SCREW M4 L=6						1	
31		40154165		THREAD_GUIDE						1	
32		70001543		NDL_THD_STRIKE_OFF						1	
33		SM4040655SP		SCREW M4 L=6						1	
34		PS0400082KP		SPRING PIN						1	
35		13326905		NDL THD STRIKE OFF R						1	
36		WP0280501SC		WASHER M2.6						1	
37		SM4850455SP		SCREW						1	
38		SM1040650TP		SCREW						1	
39		13326301		THREAD GUIDE UPPER LOOPER						1	
40		13326400		THREAD GUIDE						1	
41		22945802		THREAD TENSION DISK						2	
42		13326509		TENSION POST						1	
43		22945505		THREAD TENSION SPRING						1	
44		13326608		TENSION NUT						1	
45		NM6050001SC		NUT M5X0.8 TYPE1						1	
46		WP0450826SC		WASHER 4.5X10X0.8						2	

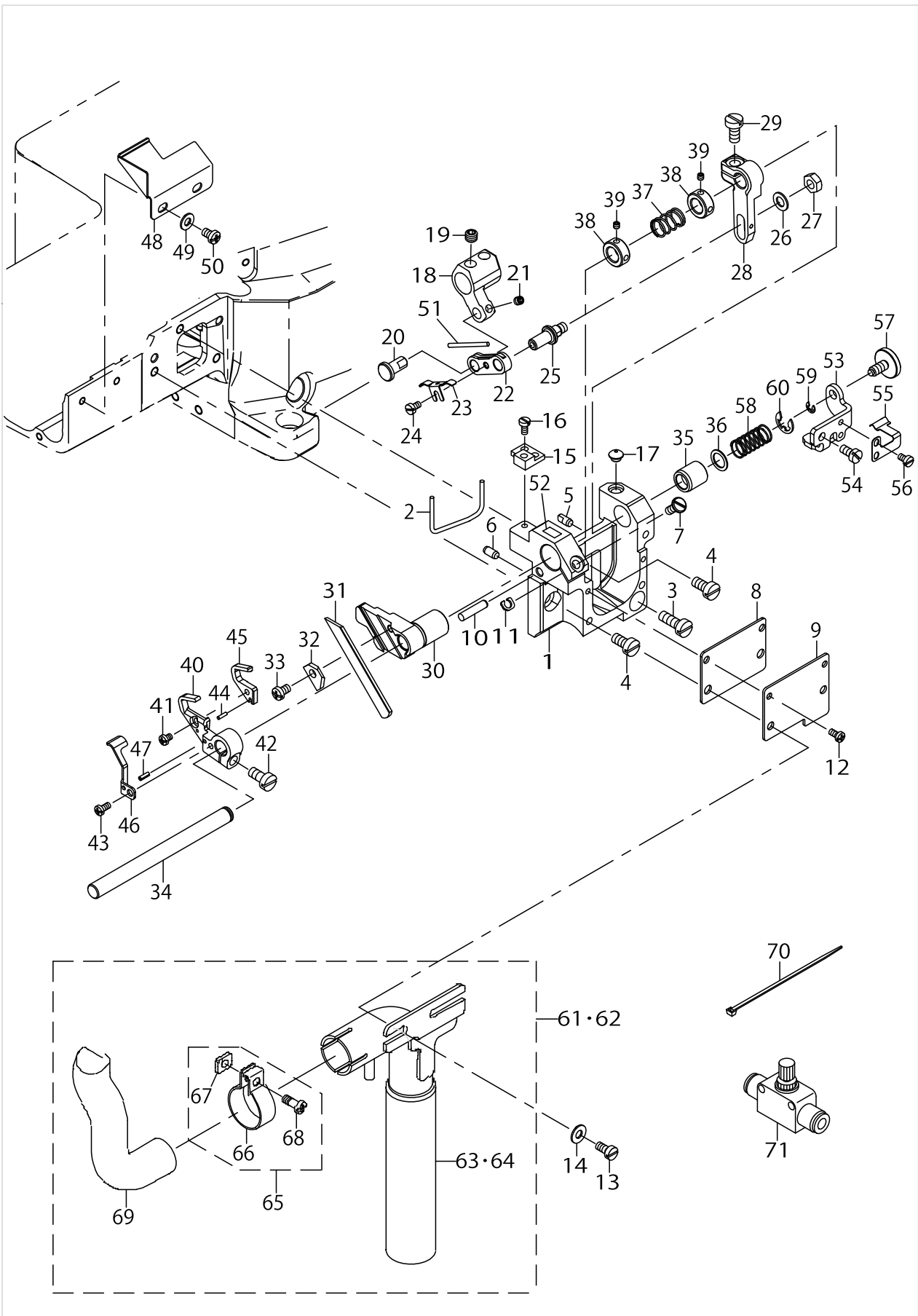
THREAD TAKE-UP LEVER COMPONENTS



THREAD TAKE-UP LEVER COMPONENTS

No.	Supply Code	Parts No.	Replacement	Parts name	Remarks	Choice	Step	Level	Cons	Qty	Rep. QTY
47		SM6040800SP		SCREW						2	
48		13325808		NIPPER PLATE SUPPORT						1	
49		13325907		NIPPER PLATE						1	
50		13326004		NIPPER GUIDE PLATE						1	
51		13326103		SPRING						1	
52		13326202		SHOULDER SCREW						1	
53		SM4040655SP		SCREW M4 L=6						1	
54		13326707		THREAD GUIDE						1	
55		40085995		FINGER_GUARD						1	
56		SM4040555SP		SCREW						2	
57		WP0450801SC		WASHER 4.5X10X0.8						2	
58		40154167		TAKE_UP_COVER						1	
59		SM1040750TP		SCREW M4 L=7						1	
60		40154166		FINGER_GUARD						1	
61		13327101		THREAD_GUIDE						1	
62		SM4030655SP		SCREW						2	
63		40154168		THREAD_GUIDE_BASE						1	
64		SM4030655SP		SCREW						2	
65		13325600		THD STRIKE OFF PLATE						1	
66		WP0320501SC		WASHER M3						1	
67		SM4030655SP		SCREW						1	
68		13327002		THD STRIKE OFF PLATE R						1	
69		WP0280501SC		WASHER M2.6						1	
70		SM4850455SP		SCREW						1	

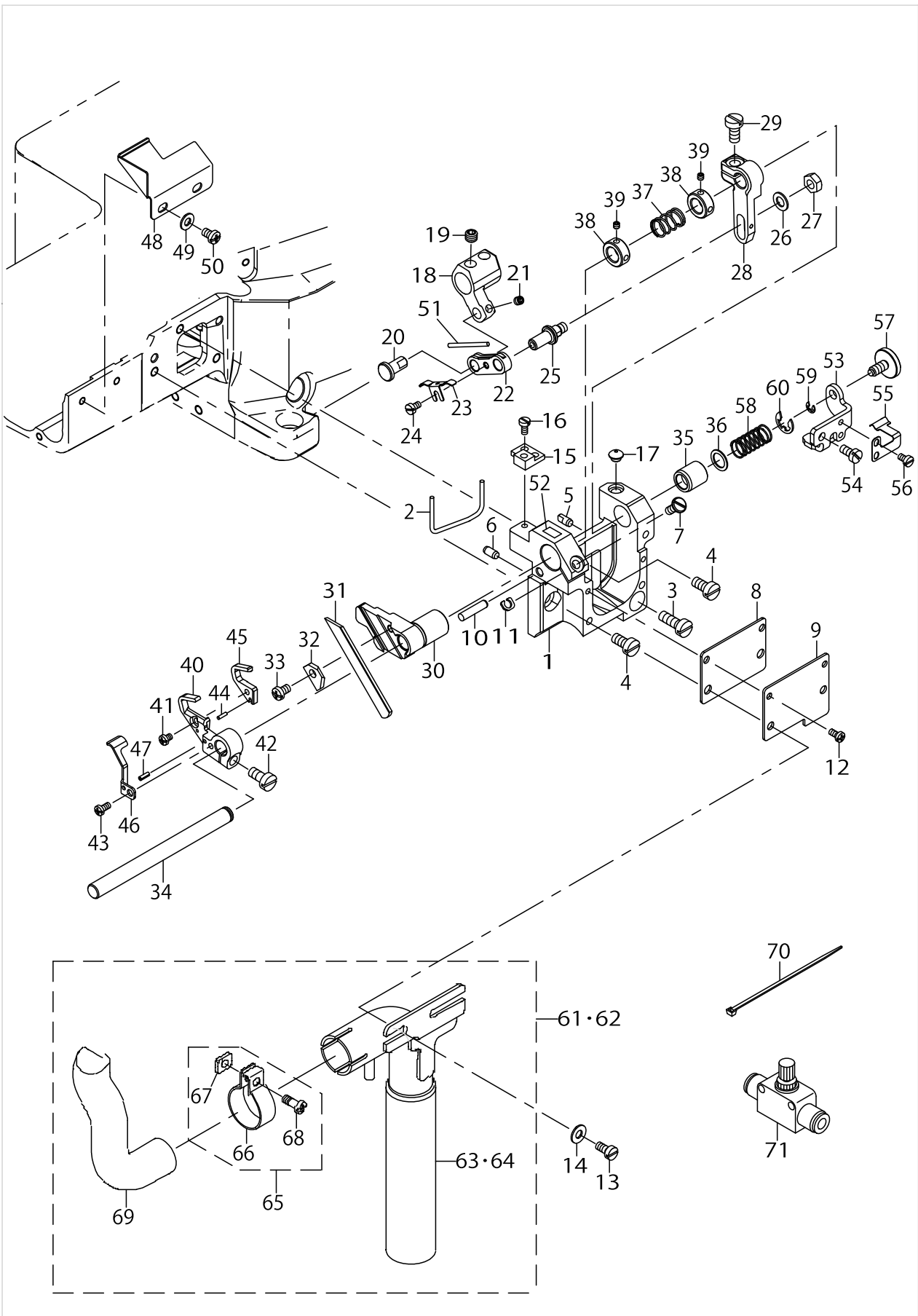
FABRIC TRIMMER LEFT COMPONENTS



FABRIC TRIMMER LEFT COMPONENTS

No.	Supply Code	Parts No.	Replacement	Parts name	Remarks	Choice	Step	Level	Cons	Qty	Rep. QTY
1		40155641		SUPPORT_BLOCK						1	
2		RO437200200		RUBBER RING						1	
3		SM6051400SP		SCREW						1	
4		SM6051000SP		SCREW						2	
5		13301908		DOWEL PIN						1	
6		13302500		DOWEL PIN 2						1	
7		SM6041050TP		SCREW						1	
8		40155643		S_B_COVER_GASKET						1	
9		40155644		SUPPORT_BLOCK_COVER						1	
10		PH0400185S0		PARALLEL PIN TYPE A 4X18						1	
11		13423801		WASHER						1	
12		SM4030655SP		SCREW						2	
13		SM6040800SP		SCREW						2	
14		WP0450801SC		WASHER 4.5X10X0.8						2	
15		40155645		TP_ADJUST_PLATE						1	
16		SM6030600SP		SCREW M3X0.5 L=6						2	
17		13302302		RUBBER BUMPER						1	
18		13461306		DRIVE_LEVER						1	
19		SM8060552TP		SCREW M6 L=5						2	
20		13461504		LINK_PIN						1	
21		SM8040412TP		SET SCREW M4 L=4						1	
22		70001856		LINK						1	
23		70001857		OIL_WICK_PLATE						1	
24		SM6030500SN		SCREW M3 L=5						1	
25		40155646		ADJUST_PIN						1	
26		WP0550800SP		WASHER 5.5X10X0.8						1	
27		NM6050001SP		NUT M5						1	
28		40155647		ADJUST_LEVER						1	
29		SM6051000SP		SCREW						1	
30		40155648		LOWER_KNIFE HOLDER_ASSY						1	
31		40155651		LOWER_KNIFE					☆	1	
32		40042319		LOWER_KNIFE_PRESSER_PLATE						1	
33		SM4040655SP		SCREW M4 L=6						1	
34		40155652		SHAFT						1	
35	R	40155653	40159404	BUSHING_RIGHT						1	1.00
36		WP0820516SP		WASHER 11.6X8.2X0.6						1	
37		40040306		UPPER_KNIFE_SPRING						1	
38		40155655		THRUST COLLAR D=8 W=8						2	
39		SM8030312TP		SCREW M3 L=3						4	
40	R	70004844	40181704	UPPER_KNIFE HOLDER						1	1.00
41		SM4030455SP		SCREW						1	
42		SM6051000SP		SCREW						1	
43		SM4030655SP		SCREW						1	
44		PH0150065C0		PARALLEL PIN TYPE A 1.5X6						1	
45		70001861		UPPER_KNIFE					☆	1	
46		70004845		FABRIC_TRIMMER_GUIDE						1	

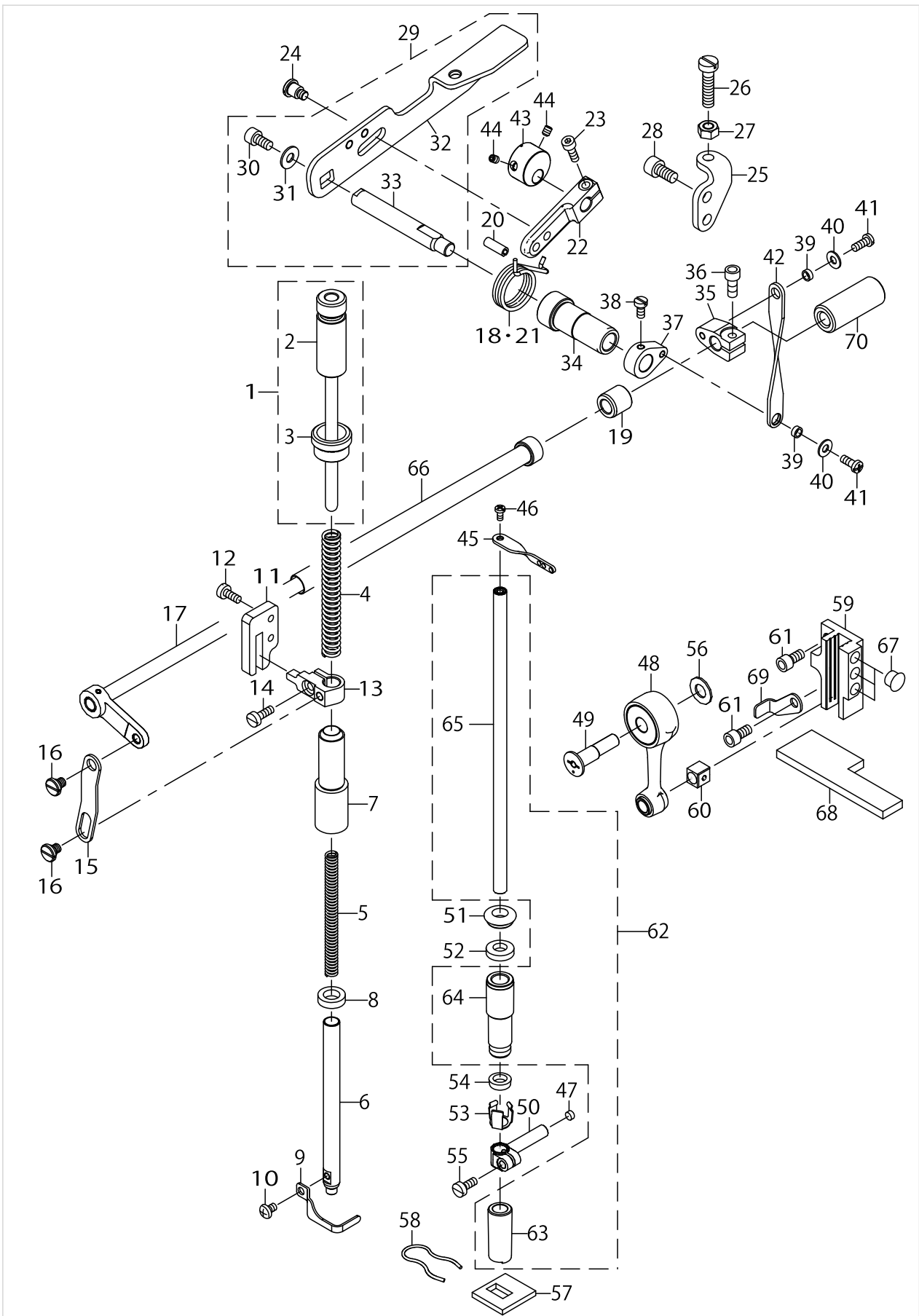
FABRIC TRIMMER LEFT COMPONENTS



FABRIC TRIMMER LEFT COMPONENTS

No.	Supply Code	Parts No.	Replacement	Parts name	Remarks	Choice	Step	Level	Cons	Qty	Rep. QTY
47		PS0200062KH		SPRING PIN 2X6						1	
48		70001869		FEED_COVER						1	
49		WP0430801SC		WASHER M4						2	
50		SM4040655SP		SCREW M4 L=6						2	
51		CQ303000000		OIL WICK						.2	
52		70004494		RUBBER_PLATE						1	
53		40155656		ADJ_GUIDE_PLATE						1	
54		SM6040800SP		SCREW						1	
55		40155657		ADJUST_SPRING						1	
56		SM6030500SN		SCREW M3 L=5						2	
57		40155658		ADJUST_SCREW						1	
58		40155659		SPRING						1	
59		RE0250000K0		E-RING 2.5						1	
60		RE0600000K0		E-RING 6						1	
61		40155621		SUCTION_PIPE_SET_TOP	ACCESSO- RIES PARTS					1	
62		40155624		SUCTION_PIPE_SET_SUB	ACCESSO- RIES PARTS					1	
63		40155622		SUCTION_PIPE_ASSY_TOP				*		1	
64		40155625		SUCTION_PIPE_ASSY_SUB				*		1	
65		40043839		SUCTION_PIPE_JOINT_ASSY				*		1	
66		40043800		SUCTION_PIPE_JOINT				*		1	
67		40043815		SUCTION_PIPE_NUT				*		1	
68		SM4041055SP		SCREW				*		1	
69		40042374		SUCTION_PIPE_1				*		1	
70		EA9500B0100		CABLE BAND	ACCESSO- RIES PARTS					1	
71		PC012601000		SPEED CONTROLLER	ACCESSO- RIES PARTS					1	

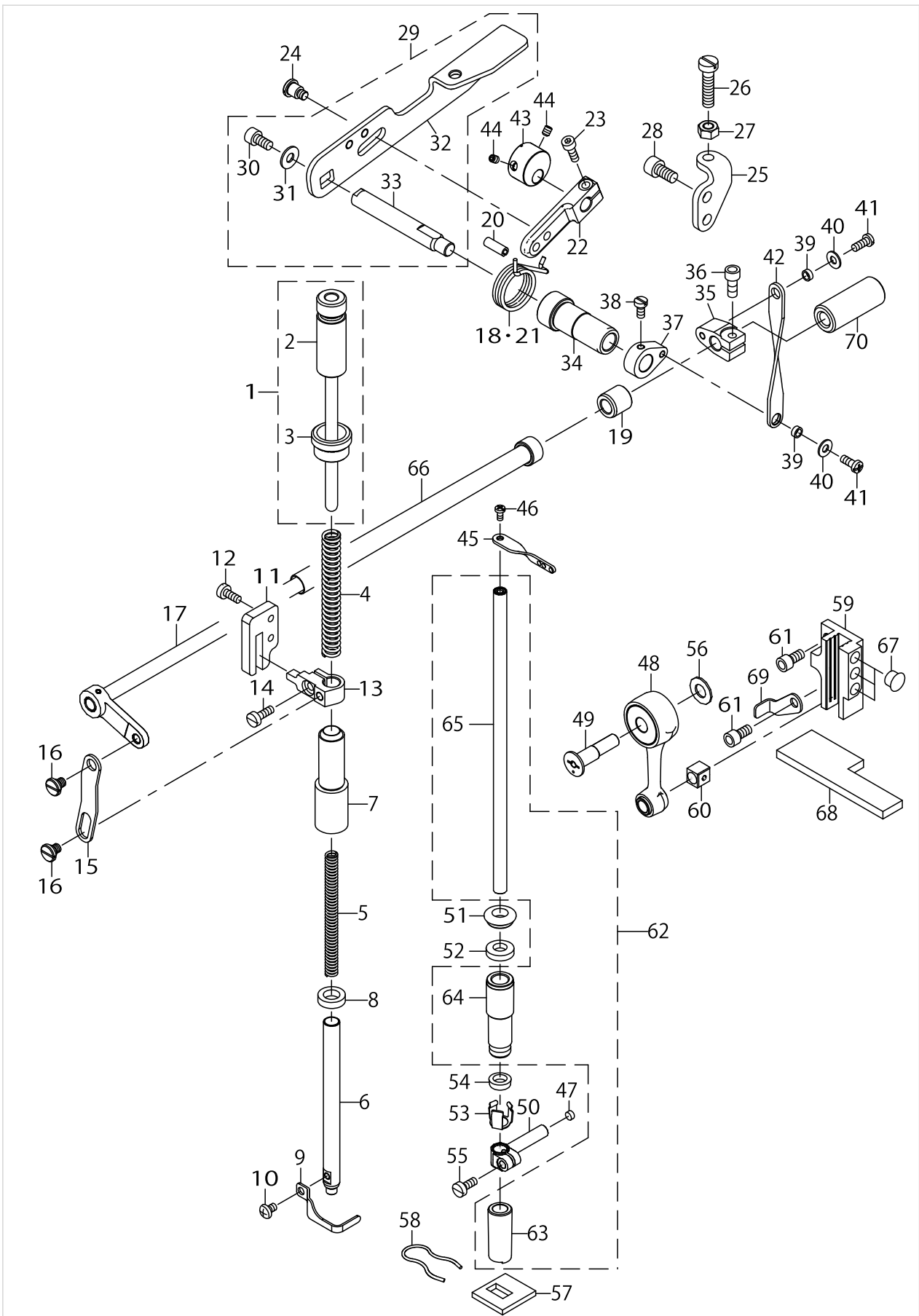
NEEDLE BAR & PRESSER COMPONENTS



NEEDLE BAR & PRESSER COMPONENTS

No.	Supply Code	Parts No.	Replacement	Parts name	Remarks	Choice	Step	Level	Cons	Qty	Rep. QTY
1		40070574		ADJ_SCREW_P_B_NUT_ASSY						1	
2		40070573		ADJ_SCREW_P_B_ASSY				*		1	
3	R	13313101	13313068	LOCKING NUT				*		1	1.00
4		13313309		SPRING PRESSER BAR A						1	
5		70001480		SPRING_PRESSER_BAR_B						1	
6		70001481		PRESSER_BAR						1	
7		40156616		BUSHING_PRESSER_BAR						1	
8		13315908		OIL SEAL						1	
9		70001483		FINGER_GUARD						1	
10		SM4040655SP		SCREW M4 L=6						1	
11		13313804		GUIDE PLATE						1	
12		SM6041000SP		SCREW M4 L=10						2	
13		70001485		PRESSER_BAR_BRACKET						1	
14		SM6041200SP		SCREW M4 L=12						1	
15		13314109		LINK						1	
16		SD0700206TP		SHOULDER SCREW						2	
17		40078307		ASSY_LIFTER_SHAFT_DRY						1	
18		13315205		SPRING LIFTER LEVER						1	
19		70001486		BUSHING_LIFTER_FRONT						1	
20		PS0500142KP		SPRING PIN						1	
21		70001498		SPRING_LIFTER_LEVER						1	
22		70001494		TENSION_RELEASE_LEVER						1	
23		SM6041202TP		SCREW M4X0.7 L=12						1	
24		SD0700586TP		SHOULDER SCREW						1	
25		70001495		LIFTER_LEVER_STOPPER						1	
26		SM6062550TP		SCREW M6 L=25						1	
27		NM6060001CP		NUT M6						1	
28		SM6061202TP		SCREW M6 L=12						2	
29		70001487		LIFTER_LEVER_ASSY						1	
30		SM6051002TP		SCREW M5X0.8 L=10				*		1	
31		WP0551016SH		WASHER 5.5X13X1				*		1	
32		70001488		LIFTER_LEVER				*		1	
33		70001489		LIFTER_LEVER_SHAFT				*		1	
34		70001490		BUSHING_LIFTER_LEVER						1	
35		70001478		LIFTER_SHAFT_LEVER						1	
36		SM6051202TP		SCREW M5X0.8 L=12						1	
37		70001477		LIFTER_LEVER_COLLAR						1	
38		SM6040800SP		SCREW						1	
39		70001491		SPACER						2	
40		WP0450826SC		WASHER 4.5X10X0.8						2	
41		SM4041055SP		SCREW						2	
42		70001492		LIFTER_LEVER_LINK						1	
43		70001493		MINUTES_LIFTING_COLLAR						1	
44		SM8040512TP		SCREW						2	
45		13326806		NEEDLE BAR EYELET						1	
46		SM4030855SN		SCREW M3 L=8.0						1	

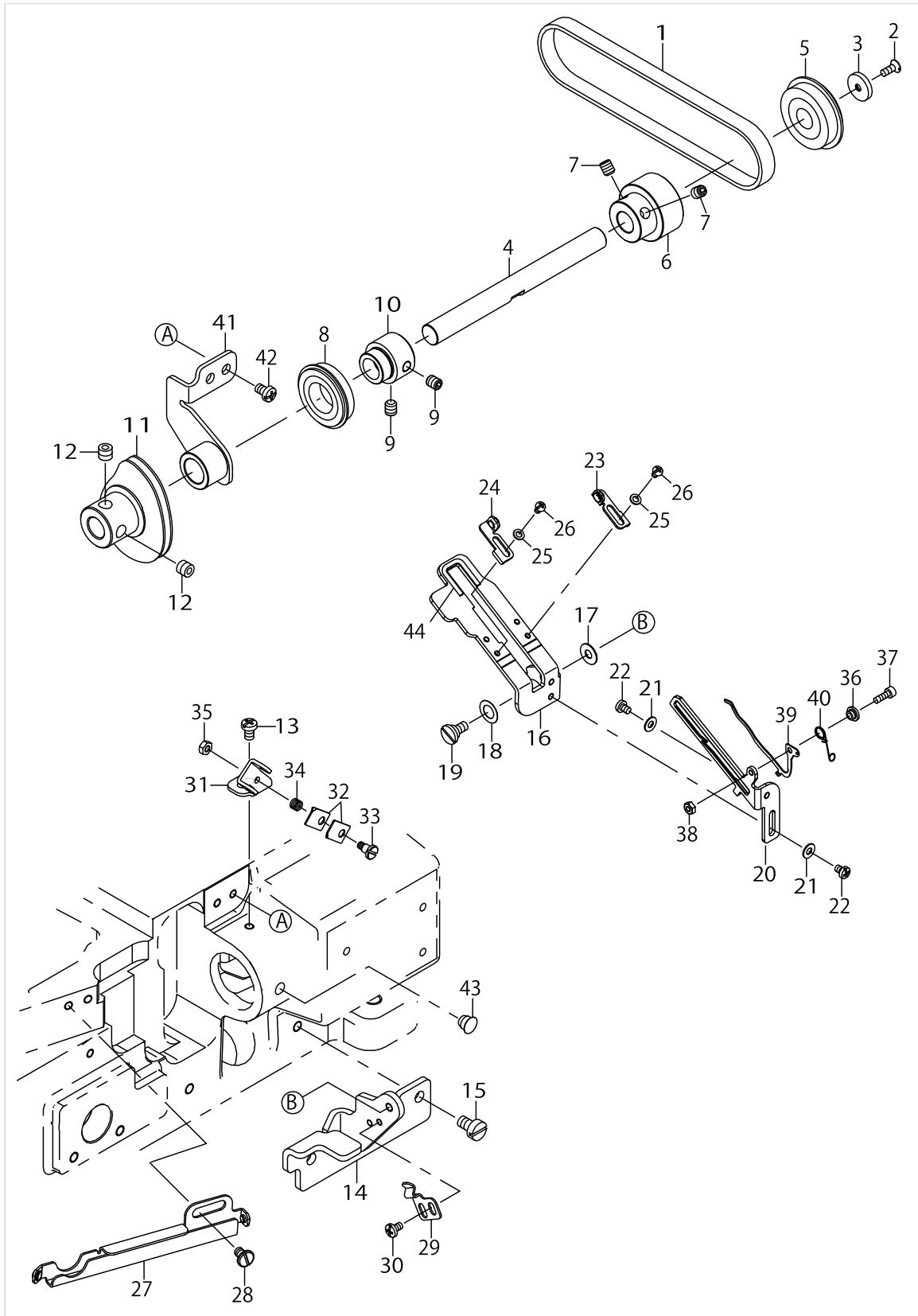
NEEDLE BAR & PRESSER COMPONENTS



NEEDLE BAR & PRESSER COMPONENTS

No.	Supply Code	Parts No.	Replacement	Parts name	Remarks	Choice	Step	Level	Cons	Qty	Rep. QTY
47		40078293		PLUG						1	
48		70001465		ASSY_NEEDLE_CRANK_ROD						1	
49		70001462		ECCENTRIC_PIN_DRY						1	
50		40078292		NEEDLE_BAR_CLAMP						1	
51		40078305		BUSHING_NB_U_PRESSER_A						1	
52		40078302		BUSHING_NB_U_FELT_A						1	
53		40078306		BUSHING_NB_U_PRESSER_B						1	
54		40078303		BUSHING_NB_U_FELT_B						1	
55		SM6041000SP		SCREW M4 L=10						1	
56		40078291		WASHER						1	
57		40078301		BUSHING_NB_L_FELT						1	
58		40078304		BUSHING_NB_L_PRESSER						1	
59		70001463		NEEDLE_BAR_GUIDE						1	
60		40078295		SLIDE_BLOCK						1	
61		SM6051202TP		SCREW M5X0.8 L=12						3	
62		40078317		ASSY_BUSHING_NB_DRY						1	
63		40078299		BUSHING_NB_LOWER				*		1	
64		40078300		BUSHING_NB_UPPER				*		1	
65	R	40078296	40078317	NEEDLE BAR ASSY				*		1	1.00
66		40078320		PIPE_ASSY						1	
67		TA0850604R0		RUBBER PLUG						4	
68		40087083		FELT						1	
69		40087101		FELT PRESSER						1	
70		70001500		BUSHING_LIFTER_REAR						1	

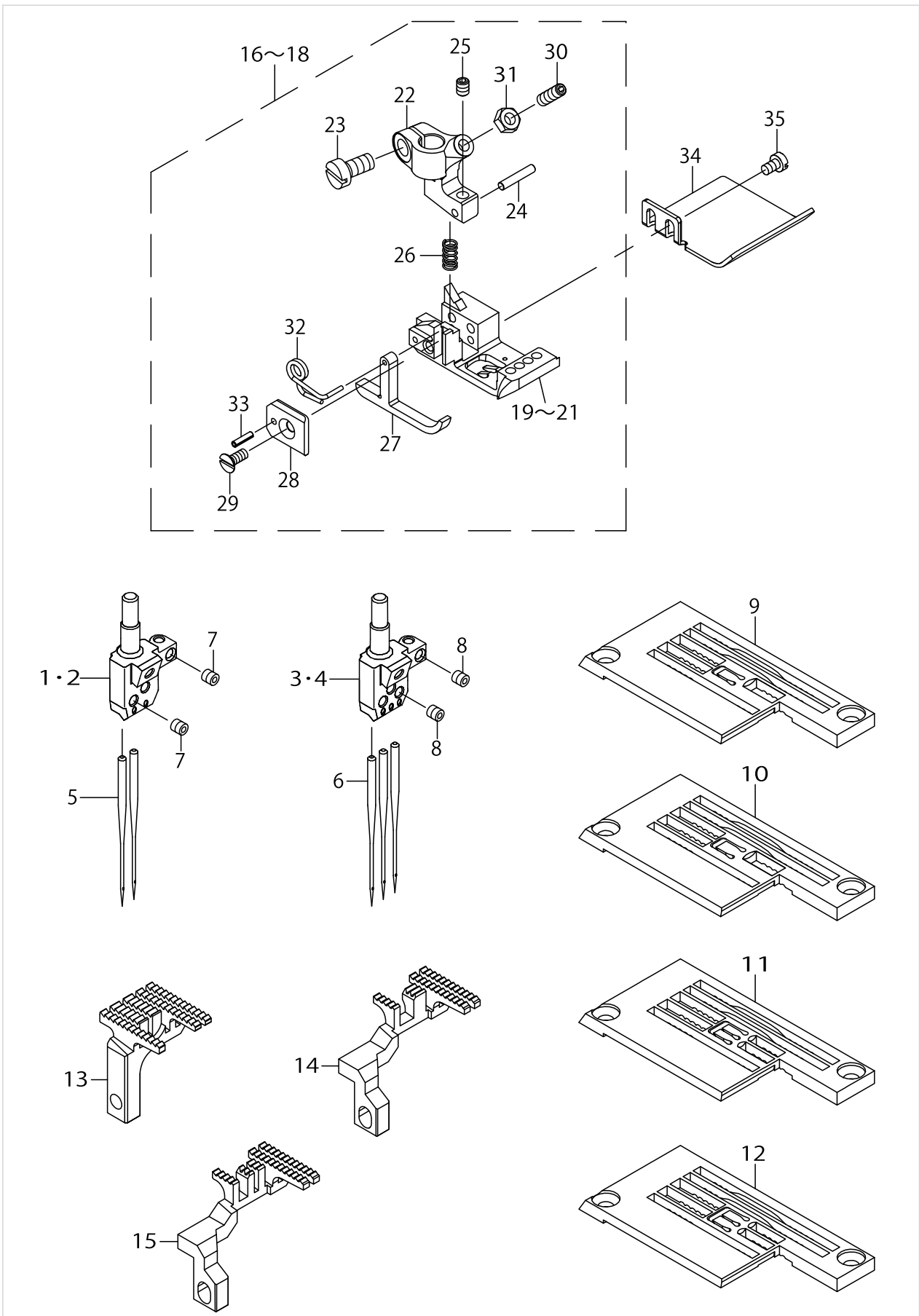
LOWER THREAD COMPONENTS



LOWER THREAD COMPONENTS

No.	Supply Code	Parts No.	Replacement	Parts name	Remarks	Choice	Step	Level	Cons	Qty	Rep. QTY
1		70001988		BELT_TAKE_UP						1	
2		SM1030800SM		SCREW M3X0.5 L=8						1	
3		13332606		WASHER TAKE UP						1	
4		70001729		SHAFT_TAKE_UP						1	
5		70004199		BEARING						1	
6		13331301		SPROCKET TAKE UP						1	
7		SM8050612TP		SCREW M5X6						2	
8		70004194		BEARING						1	
9		SM8050612TP		SCREW M5X6						2	
10		70001754		COUPLING						1	
11		40154169		ASSY_TAKE_UP						1	
12		SM8060552TP		SCREW M6 L=5						2	
13		SM4040655SP		SCREW M4 L=6						1	
14		70001734		TAKE_UP_PLATE_BASE						1	
15		SM6050800SP		SCREW M5 L=8						2	
16		70001735		TAKE_UP_PLATE						1	
17		WP0410516SD		PLAIN WASHER						1	
18		WZ0641510KP		WAVED WASHER 6.4X11X0.3						1	
19		SD0640246SP		HINGE SCREW D=6.35 H=2.4						1	
20		40155640		THREAD_GUIDE						1	
21		WP0320501SC		WASHER M3						3	
22		SM4030455SP		SCREW						3	
23		40100773		EYELET L ASSY						1	
24		40100771		EYELET R ASSY						1	
25		WP0280500SC		WASHER						2	
26		SM4850455SP		SCREW						2	
27		70001738		ASSY_THREAD_GUIDE						1	
28		SM6040650TP		SCREW						2	
29		70001745		SPRING						1	
30		SM5030555SN		SCREW M3 L=5						2	
31		70004375		NIPPER_PLATE						1	
32		40100769		NIPPER SPRING PLATE						2	
33		13326202		SHOULDER SCREW						1	
34		13402805		SPRING						1	
35		NM6030001SC		NUT M3X0.5 TYPE1						1	
36		70001584		SPRING COLLAR						1	
37		SM6850802TN		SCREW M2.5 L=8						1	
38		NM6850001SC		NUT M2.5X0.45 TYPE1						1	
39		70004733		THREAD_GUIDE_PLATE						1	
40		70001753		THREAD_GUIDE_PLATE_SPRING						1	
41		70001758		SHAFT_TAKE_UP_COVER_ASSY						1	
42		SM4040655SP		SCREW M4 L=6						2	
43		TA0620504R0		CAP						1	
44		40087068		CAM THREAD CATCH						1	

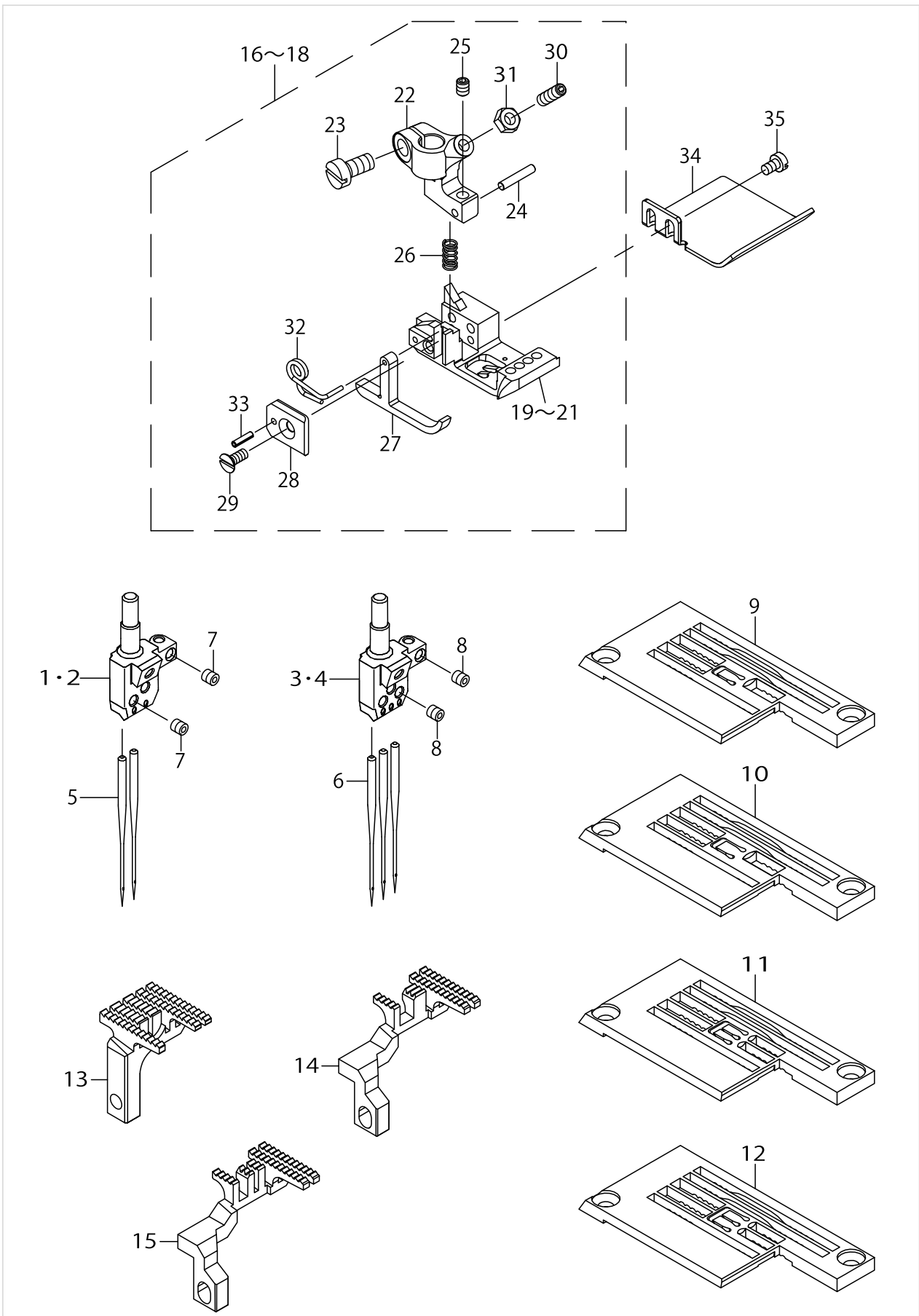
GAUGE COMPONENTS



GAUGE COMPONENTS

No.	Supply Code	Parts No.	Replacement	Parts name	Remarks	Choice	Step	Level	Cons	Qty	Rep. QTY
1		13350004		NEEDLE_HEAD_32	FOR MF-7-922D-H24-E32					1	
2		13350103		NEEDLE_HEAD_40	FOR MF-7-922D-H24-E40					1	
3		13350301		NEEDLE_HEAD_56	FOR MF-7-923D-H24-E56					1	
4		13350400		NEEDLE_HEAD_64	FOR MF-7-923D-H24-E64					1	
5		MUY128S1000		NEEDLE	FOR MF-7-922D-H24-E32, MF-7-922D-H24-E40				☆	2	
6		MUY128S1000		NEEDLE	FOR MF-7-923D-H24-E56, MF-7-923D-H24-E64				☆	3	
7		SM8030312TP		SCREW M3 L=3	FOR MF-7-922D-H24-E32, MF-7-922D-H24-E40					3	
8		SM8030312TP		SCREW M3 L=3	FOR MF-7-923D-H24-E56, MF-7-923D-H24-E64					4	
9		40154171		THROAT_PLATE	FOR MF-7-922D-H24-E32					1	
10		40154172		THROAT_PLATE	FOR MF-7-922D-H24-E40					1	
11		40154173		THROAT_PLATE	FOR MF-7-923D-H24-E56					1	
12		40154174		THROAT_PLATE	FOR MF-7-923D-H24-E64					1	
13		40154175		MAIN_FEED_DOG						1	
14		40154177		DIFF_FEED_DOG	FOR MF-7-922D-H24-E32, MF-7-922D-H24-E40					1	
15		40154178		DIFF_FEED_DOG	FOR MF-7-923D-H24-E56, MF-7-923D-H24-E64					1	
16		40155626		PRESSER_FOOT_ASSY	FOR MF-7-922D-H24-E32					1	
17		40155628		PRESSER_FOOT_ASSY	FOR MF-7-922D-H24-E40					1	
18		40155630		PRESSER_FOOT_ASSY	FOR MF-7-923D-H24-E56, MF-7-923D-H24-E64					1	
19		40155627		PRESSER_FOOT_BUTTON	FOR MF-7-922D-H24-E32				*	1	
20		40155629		PRESSER_FOOT_BUTTON	FOR MF-7-922D-H24-E40				*	1	
21		40155631		PRESSER_FOOT_BUTTON	FOR MF-7-923D-H24-E56, MF-7-923D-H24-E64				*	1	
22		40070224		PRESSER_FOOT_HINGE					*	1	
23		SM6040800SP		SCREW					*	1	
24		13375209		PIVOT_PIN					*	1	
25		SM8030412TP		SCREW					*	1	
26		13377106		SPRING					*	1	
27		40070226		P_F_YIELDING_SECTION					*	1	
28		40070227		GUIDE_PLATE					*	1	
29		SM1850600SP		SCREW					*	1	

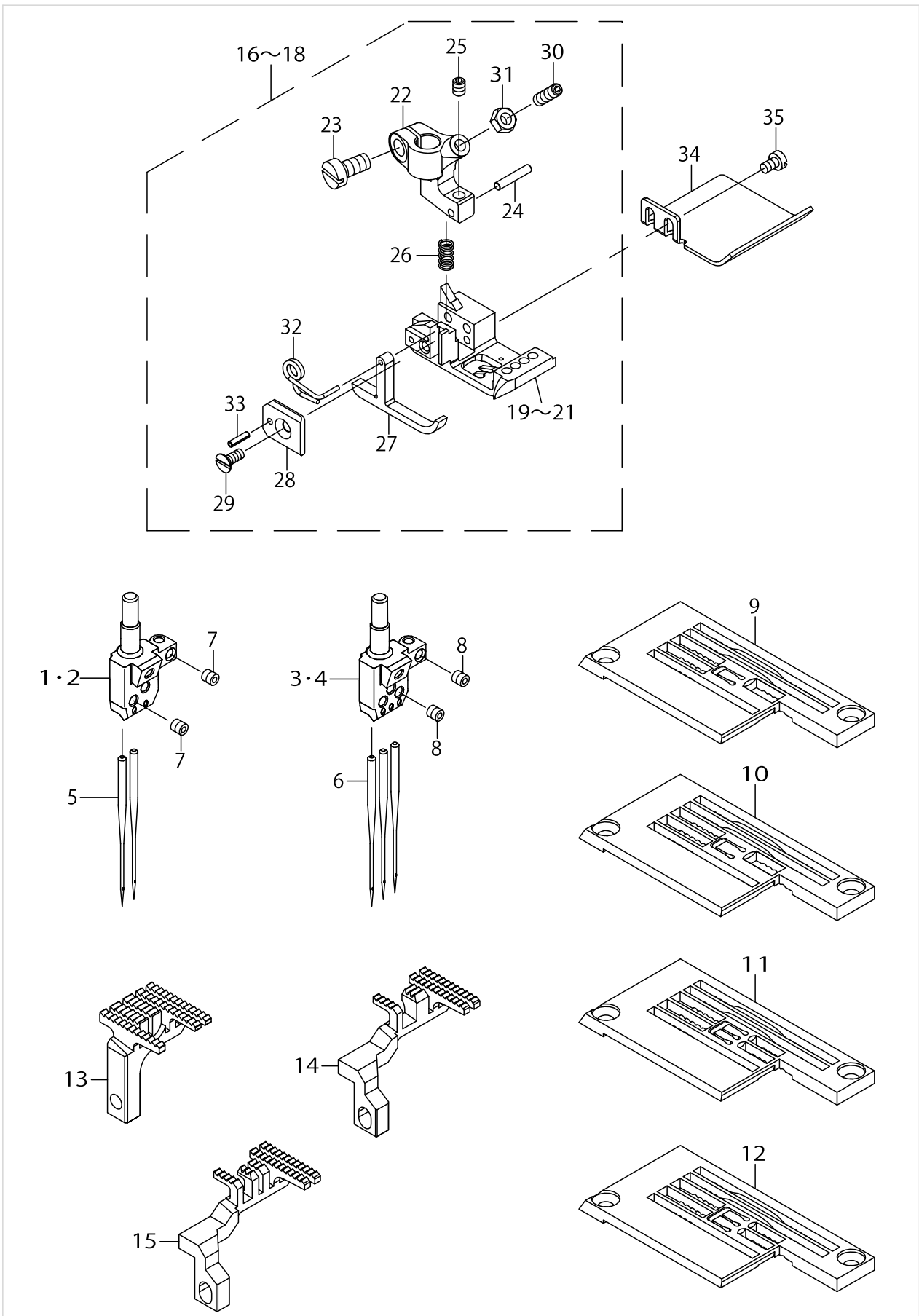
GAUGE COMPONENTS



GAUGE COMPONENTS

No.	Supply Code	Parts No.	Replacement	Parts name	Remarks	Choice	Step	Level	Cons	Qty	Rep. QTY
30		SM8031002TP		SCREW				*		1	
31		NM6030001SD		NUT M3X0.5				*		1	
32		40070229		SPRING_L				*		1	
33		PS0150065KP		SPRING PIN 1.5X6				*		1	
34		40038064		FABRIC GUIDE	ACCESSO- RY PARTS					1	
35		SM6850400SP		SCREW M2.5 L=4	ACCESSO- RY PARTS					2	

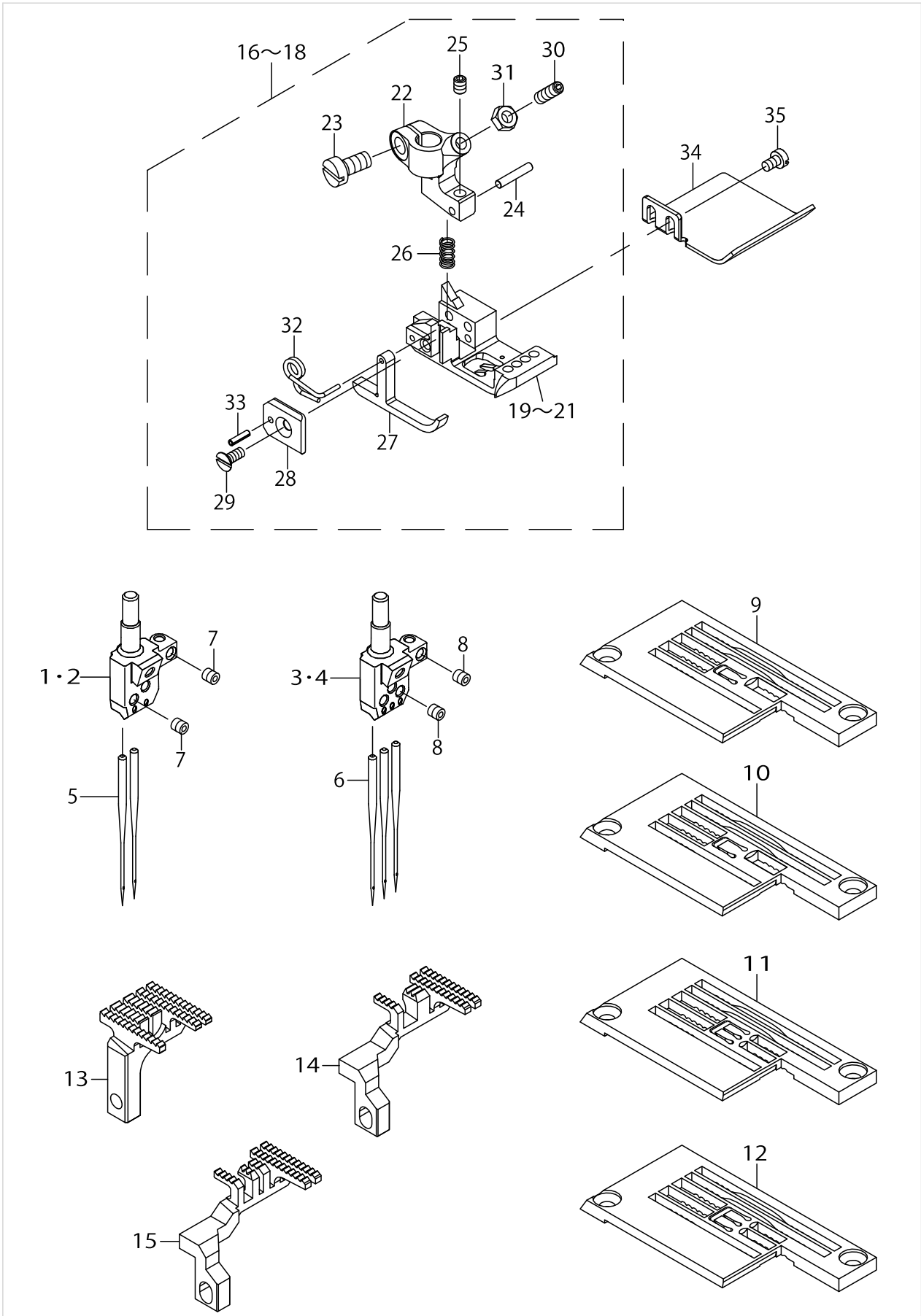
GAUGE COMPONENTS (FOR H24/UT59)



GAUGE COMPONENTS (FOR H24/UT59)

No.	Supply Code	Parts No.	Replacement	Parts name	Remarks	Choice	Step	Level	Cons	Qty	Rep. QTY
1		13350004		NEEDLE_HEAD_32	FOR MF-7-922D-H24--E32/UT59					1	
2		13350103		NEEDLE_HEAD_40	FOR MF-7-922D-H24--E40/UT59					1	
3		13350301		NEEDLE_HEAD_56	FOR MF-7-923D-H24--E56/UT59					1	
4		13350400		NEEDLE_HEAD_64	FOR MF-7-923D-H24--E64/UT59					1	
5		MUY128S1000		NEEDLE	FOR MF-7-922D-H24--E32/UT59, MF-7922D--H24-E40/UT59				☆	2	
6		MUY128S1000		NEEDLE	FOR MF-7-923D-H24--E56/UT59, MF-7923D--H24-E64/UT59				☆	3	
7		SM8030312TP		SCREW M3 L=3	FOR MF-7-922D-H24--E32/UT59, MF-7922D--H24-E40/UT59					3	
8		SM8030312TP		SCREW M3 L=3	FOR MF-7-923D-H24--E56/UT59, MF-7923D--H24-E64/UT59					4	
9		40154171		THROAT_PLATE	FOR MF-7-922D-H24--E32/UT59					1	
10		40154172		THROAT_PLATE	FOR MF-7-922D-H24--E40/UT59					1	
11		40154173		THROAT_PLATE	FOR MF-7-923D-H24--E56/UT59					1	
12		40154174		THROAT_PLATE	FOR MF-7-923D-H24--E64/UT59					1	
13		40154175		MAIN_FEED_DOG						1	
14		40154179		DIFF_FEED_DOG	FOR MF-7-922D-H24--E32/UT59, MF-7922D--H24-E40/UT59					1	
15		40154180		DIFF_FEED_DOG	FOR MF-7-923D-H24--E56/UT59, MF-7923D--H24-E64/UT59					1	
16		40155626		PRESSER_FOOT_ASSY	FOR MF-7-922D-H24--E32/UT59					1	
17		40155628		PRESSER_FOOT_ASSY	FOR MF-7-922D-H24--E40/UT59					1	
18		40155630		PRESSER_FOOT_ASSY	FOR MF-7-923D-H24--E56/UT59, MF-7923D--H24-E64/UT59					1	
19		40155627		PRESSER_FOOT_BUTTON	FOR MF-7-922D-H24--E32/UT59				*	1	
20		40155629		PRESSER_FOOT_BUTTON	FOR MF-7-922D-H24--E40/UT59				*	1	

GAUGE COMPONENTS (FOR H24/UT59)



GAUGE COMPONENTS (FOR H24/UT59)

No.	Supply Code	Parts No.	Replacement	Parts name	Remarks	Choice	Step	Level	Cons	Qty	Rep. QTY
21		40155631		PRESSER_FOOT_BUTTOM	FOR MF-7-923D-H24--E56/UT59, MF-7923D-H24-E64/UT59			*		1	
22		40070224		PRESSER_FOOT_HINGE				*		1	
23		SM6040800SP		SCREW				*		1	
24		13375209		PIVOT_PIN				*		1	
25		SM8030412TP		SCREW				*		1	
26		13377106		SPRING				*		1	
27		40070226		P_F_YIELDING_SECTION				*		1	
28		40070227		GUIDE_PLATE				*		1	
29		SM1850600SP		SCREW				*		1	
30		SM8031002TP		SCREW				*		1	
31		NM6030001SD		NUT M3X0.5				*		1	
32		40070229		SPRING_L				*		1	
33		PS0150065KP		SPRING PIN 1.5X6				*		1	
34		40038064		FABRIC GUIDE	ACCESSORY PARTS					1	
35		SM6850400SP		SCREW M2.5 L=4	ACCESSORY PARTS					2	

HOW TO MAKE USE OF THIS PARTS LIST

1.As to "#01" and "#02" refer to the "Note" given at the bottom of the respective pages.

2.Codes on the "Qty" column

- Each numeral indicates the number of parts required.
- "0.1" and "2.5" indicate the length (in meters) of the respective parts.

3.Parentheses mean that the corresponding part is a subpart that constructs an assembly part.

4.Dotted lines on the Figures indicate assembly parts.

5.As to the parts with marks of "☆"(Consumable parts)and "◎"(optional parts)on the respective parts, it is recommended to prepare spares.

1. リストページの#01、#02の印は、ページ下の"注記"の説明を参照下さい。
2. 数量欄の数字は、個数を表し、0.1、2.5等の数値は、長さ（単位メートル）を表します。
3. 数量欄の（ ）は、組部品を構成している子部品であることを意味します。
4. イラストページの-----枠は、組構成であることを意味します。
5. リストページの"☆"（消耗部品）、"◎"（オプション部品）の印が付いた部品は、予備を準備しておくことをお奨めします。

NUMERICAL INDEX OF PARTS

PART NO	PAGE	REF NO.	PART NO	PAGE	REF NO.	PART NO	PAGE	REF NO.
13301809	2	33	13350400	24	3-4	40078292	20	50
13301809	6	33	13350400	28	3-4	40078293	20	47
13301908	14	5	13375209	24	24	40078295	20	60
13302203	2	20	13375209	30	24	40078296	20	65
13302203	6	20	13377106	24	26	40078299	20	63
13302302	2	35	13377106	30	26	40078300	20	64
13302302	6	35	13401906	2	5	40078301	20	57
13302302	14	17	13401906	6	5	40078302	20	52
13302500	14	6	13402003	2	27	40078303	20	54
13313101	18	3	13402003	6	12	40078304	20	58
13313309	18	4	13402706	2	40	40078305	20	51
13313804	18	11	13402706	6	40	40078306	20	53
13314109	18	15	13402805	22	34	40078307	18	17
13315205	18	18-21	13409800	4	55	40078317	20	62
13315908	18	8	13409800	8	55	40078320	20	66
13324504	10	5	13423801	14	11	40082196	2	18
13324603	10	8	13461306	14	18	40085995	12	55
13324702	10	10	13461504	14	20	40087068	22	44
13324900	10	14	22901409	8	74	40087083	20	68
13325006	10	16	22945505	10	43	40087101	20	69
13325600	12	65	22945802	10	41	40100769	22	32
13325808	12	48	23612609	10	9	40100771	22	24
13325907	12	49	30391601	10	25	40100773	22	23
13326004	12	50	40019868	8	57	40119461	4	62
13326103	12	51	40030059	8	56	40119461	6	18
13326202	12	52	40038064	26	34	40154163	10	24
13326202	22	33	40038064	30	34	40154164	10	13
13326301	10	39	40040255	8	48	40154165	10	31
13326400	10	40	40040306	14	37	40154166	12	60
13326509	10	42	40042319	14	32	40154167	12	58
13326608	10	44	40042374	16	69	40154168	12	63
13326707	12	54	40043800	16	66	40154169	22	11
13326806	18	45	40043815	16	67	40154171	24	9
13326905	10	35	40043839	16	65	40154171	28	9
13327002	12	68	40070224	24	22	40154172	24	10
13327101	12	61	40070224	30	22	40154172	28	10
13331301	22	6	40070226	24	27	40154173	24	11
13332606	22	3	40070226	30	27	40154173	28	11
13348008	10	19	40070227	24	28	40154174	24	12
13350004	24	1-2	40070227	30	28	40154174	28	12
13350004	28	1-2	40070229	26	32	40154175	24	13
13350103	24	1-2	40070229	30	32	40154175	28	13
13350103	28	1-2	40070573	18	2	40154177	24	14
13350301	24	3-4	40070574	18	1	40154178	24	15
13350301	28	3-4	40078291	20	56	40154179	28	14

NUMERICAL INDEX OF PARTS

PART NO	PAGE	REF NO.	PART NO	PAGE	REF NO.	PART NO	PAGE	REF NO.
40154180	28	15	40155660	8	64	70001661	6	10
40155621	16	61·62	40155661	6	45	70001662	2	23
40155622	16	63·64	40156616	18	7	70001663	2	24
40155624	16	61·62	70001413	4	56	70001663	6	23
40155625	16	63·64	70001413	6	17	70001668	2	29
40155626	24	16~18	70001414	4	53	70001670	2	30
40155626	28	16~18	70001414	8	53	70001673	4	60
40155627	24	19~21	70001457	4	63	70001673	6	28
40155627	28	19~21	70001457	6	19	70001729	22	4
40155628	24	16~18	70001462	20	49	70001734	22	14
40155628	28	16~18	70001463	20	59	70001735	22	16
40155629	24	19~21	70001465	20	48	70001738	22	27
40155629	28	19~21	70001477	18	37	70001745	22	29
40155630	24	16~18	70001478	18	35	70001753	22	40
40155630	28	16~18	70001480	18	5	70001754	22	10
40155631	24	19~21	70001481	18	6	70001758	22	41
40155631	30	19~21	70001483	18	9	70001856	14	22
40155632	2	3	70001485	18	13	70001857	14	23
40155632	8	65	70001486	18	19	70001861	14	45
40155633	2	13	70001487	18	29	70001865	2	12
40155633	6	13	70001488	18	32	70001866	2	1
40155634	2	34	70001489	18	33	70001866	6	1
40155634	6	34	70001490	18	34	70001869	16	48
40155636	2	38	70001491	18	39	70001873	4	48
40155637	2	42	70001492	18	42	70001874	4	49
40155637	6	42	70001493	18	43	70001895	4	64
40155638	2	43	70001494	18	22	70001988	22	1
40155638	6	43	70001495	18	25	70003355	8	61
40155639	2	45	70001498	18	18·21	70003432	8	62
40155640	22	20	70001500	20	70	70003433	8	63
40155641	14	1	70001537	10	3	70003456	8	67
40155643	14	8	70001540	10	18	70003457	8	68
40155644	14	9	70001541	10	29	70004194	22	8
40155645	14	15	70001543	10	32	70004199	22	5
40155646	14	25	70001546	10	20	70004247	8	66
40155647	14	28	70001584	22	36	70004375	22	31
40155648	14	30	70001642	4	66	70004494	16	52
40155651	14	31	70001642	6	24	70004733	22	39
40155652	14	34	70001643	2	15	70004844	14	40
40155653	14	35	70001643	6	25	70004845	14	46
40155655	14	38	70001648	2	36	B9214850000	10	21
40155656	16	53	70001648	6	36	BT0600402EA	8	73
40155657	16	55	70001655	2	2	CM300200001	8	58
40155658	16	57	70001655	6	2	CQ303000000	16	51
40155659	16	58	70001661	2	10	CS1000881TP	10	6

NUMERICAL INDEX OF PARTS

PART NO	PAGE	REF NO.	PART NO	PAGE	REF NO.	PART NO	PAGE	REF NO.
EA9500B0100	16	70	SM1040860SP	6	16	SM6030600SP	14	16
HX00314000D	4	69	SM1850600SP	24	29	SM6040450TP	4	47
HX00314000D	8	52	SM1850600SP	30	29	SM6040450TP	8	47
MUY128S1000	24	6	SM4030455SP	14	41	SM6040602TN	8	72
MUY128S1000	28	6	SM4030455SP	22	22	SM6040650TP	22	28
NM6030001SC	22	35	SM4030655SP	12	67	SM6040750TP	2	22
NM6030001SD	26	31	SM4030655SP	14	43	SM6040750TP	8	70
NM6030001SD	30	31	SM4030855SN	10	27	SM6040800SP	2	25
NM6040000SN	2	59	SM4030855SN	18	46	SM6040800SP	6	4
NM6040000SN	4	59	SM4040555SP	12	56	SM6040800SP	12	47
NM6040000SN	6	38	SM4040655SP	2	61	SM6040800SP	14	54
NM6050001SC	10	45	SM4040655SP	4	61	SM6040800SP	16	54
NM6050001SP	14	27	SM4040655SP	6	60	SM6040800SP	18	38
NM6060001CP	18	27	SM4040655SP	8	60	SM6040800SP	24	23
NM6850001SC	22	38	SM4040655SP	10	53	SM6040800SP	30	23
PC012601000	16	71	SM4040655SP	12	53	SM6041000SP	18	55
PH0150065C0	14	44	SM4040655SP	14	50	SM6041000SP	20	55
PH0300252C0	2	7	SM4040655SP	16	50	SM6041050TP	14	7
PH0300252C0	6	7	SM4040655SP	18	10	SM6041200SP	18	14
PH0400185S0	14	10	SM4040655SP	22	42	SM6041202TP	18	23
PS0150065KP	26	33	SM4040855SP	2	52	SM6050800SP	4	57
PS0150065KP	30	33	SM4040855SP	4	52	SM6050800SP	6	31
PS0150082KH	10	22	SM4040855SP	6	49	SM6050800SP	22	15
PS0200062KH	16	47	SM4040855SP	8	49	SM6051000SP	14	42
PS0400082KP	10	34	SM4041055SP	2	58	SM6051002TP	10	1
PS0500142KP	18	20	SM4041055SP	4	58	SM6051002TP	18	30
RE0250000K0	16	59	SM4041055SP	6	32	SM6051202TP	18	61
RE0600000K0	16	60	SM4041055SP	10	15	SM6051202TP	20	61
RO037180100	2	9	SM4041055SP	16	68	SM6051400SP	14	3
RO037180100	6	9	SM4041055SP	18	41	SM6051402TP	10	12
RO437200200	14	2	SM4041255SP	4	51	SM6061202TP	18	28
SD0640246SP	22	19	SM4042055SP	2	11	SM6062550TP	18	26
SD0700206TP	18	16	SM4042055SP	6	11	SM6850350TP	2	44
SD0700586TP	18	24	SM4051455SP	4	68	SM6850350TP	6	44
SL6042092TN	4	67	SM4051455SP	6	59	SM6850400SP	26	35
SL6042092TN	6	21	SM4051455SP	8	59	SM6850400SP	30	35
SM1030400SP	4	65	SM4850455SP	10	70	SM6850802TN	22	37
SM1030501SN	2	31	SM4850455SP	12	70	SM8030312TP	10	26
SM1030800SM	22	2	SM4850455SP	22	26	SM8030312TP	14	39
SM1040650TP	8	69	SM5030555SN	22	30	SM8030312TP	24	8
SM1040650TP	10	38	SM5040655SN	2	14	SM8030312TP	28	8
SM1040750TP	12	59	SM5040655SN	6	71	SM8030412TP	24	25
SM1040800SP	2	39	SM5040655SN	8	71	SM8030412TP	30	25
SM1040800SP	6	39	SM6030500SN	14	56	SM8031002TP	26	30
SM1040860SP	2	28	SM6030500SN	16	56	SM8031002TP	30	30

NUMERICAL INDEX OF PARTS

PART NO	PAGE	REF NO.
SM8040360TP	2	41
SM8040360TP	6	41
SM8040412TP	2	37
SM8040412TP	6	37
SM8040412TP	14	21
SM8040512TP	18	44
SM8041012TP	2	16
SM8041012TP	6	15
SM8050612TP	10	7
SM8050612TP	22	9
SM8060552TP	14	19
SM8060552TP	22	12
ST4040851SN	10	23
TA0620504R0	22	43
TA0850604R0	20	67
TA0980502R0	2	26
WP0280500SC	22	25
WP0280501SC	10	69
WP0280501SC	12	69
WP0320501SC	12	66
WP0320501SC	22	21
WP0410516SD	22	17
WP0430801SC	2	50
WP0430801SC	4	50
WP0430801SC	6	50
WP0430801SC	8	50
WP0430801SC	16	49
WP0450801SC	12	57
WP0450801SC	14	14
WP0450826SC	10	46
WP0450826SC	18	40
WP0522016SH	10	4
WP0550800SP	14	26
WP0551016SH	18	31
WP0820516SP	14	36
WS0510002KN	10	11
WS0510002KP	4	54
WS0510002KP	8	54
WS0510002KP	10	2
WZ0641510KP	22	18